

en	Original Instructions - Mobile dust extractors	6
fr	Notice d'utilisation d'origine - Aspirateurs mobile	16
es	Manual de instrucciones original - Sistemas móviles de aspiración	28



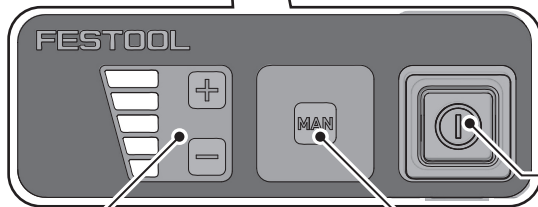
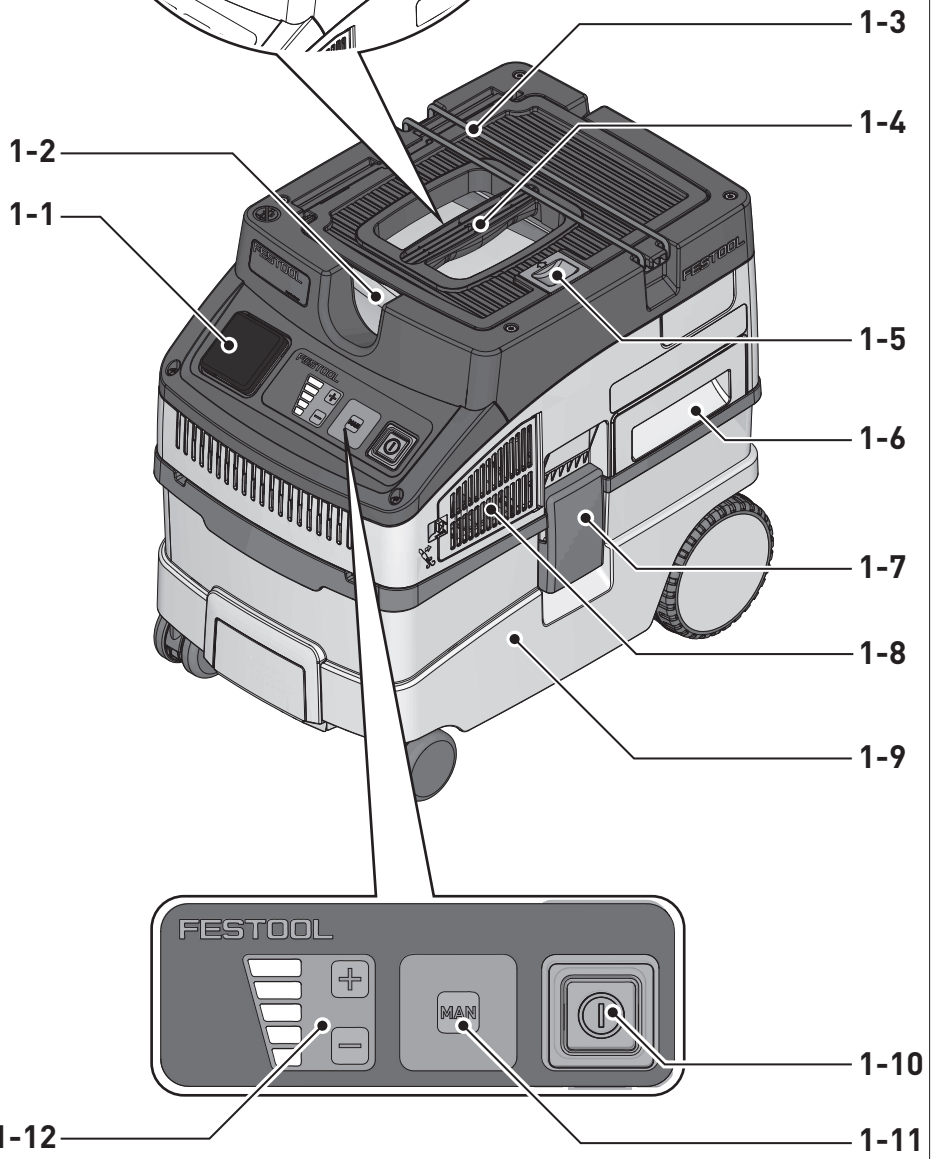
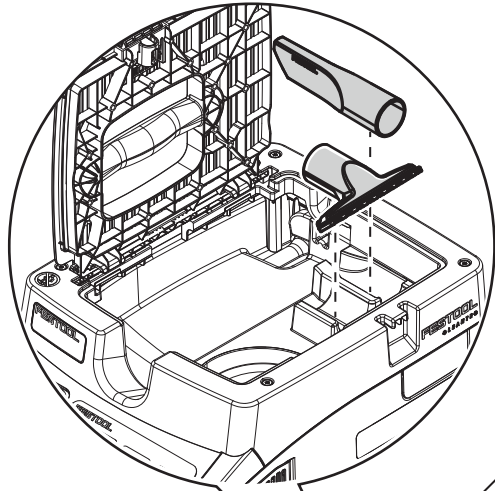
Read all instructions before using
Lire toutes les instructions avant de démarrer les travaux.
Lea y comprende todas las instrucciones antes de usar.



CT 15 E HEPA



1



Contents

1 Symbols..... 6
 2 About this manual..... 6
 3 Safety warnings..... 7
 4 Parts of the machine..... 11
 5 Technical data..... 11
 6 Intended use..... 11
 7 Commissioning..... 11
 8 Settings..... 13
 9 Working..... 13
 10 Service and maintenance..... 15
 11 Environment..... 15

1 Symbols

Symbol	Significance
	Warning of general danger
	Risk of electric shock
	Read operating instructions and safety notices!
	Wear a dust mask.
	Tip or advice
	Handling instruction
W	watt

Symbol	Significance
h	hour
min	minutes
s	seconds
kg	kilograms
Pa	pascal
dB	decibel
V	volts
A	amperes
Hz	hertz
~ a.c.	alternating current
≡ d.c.	direct current
n_0	no load speed
	Class II construction
rpm min ⁻¹	revolutions per minute
"	inch
lbs.	pound
	diameter
	Do not climb on the unit

2 About this manual

Save these instructions

It is important for you to read and understand this manual. The information it contains relates

to protecting **your safety** and **preventing problems**. The symbols below are used to help you recognize this information.

	DANGER	Description of imminent hazard and failure to avoid hazard will result in death.
	WARNING	Description of hazard and possible resulting injuries or death.
	CAUTION	Description of hazard and possible resulting injuries.
	NOTICE	Statement including nature of hazard and possible result.
	HINT	Indicates information, notes, or tips for improving your success using the tool.

3 Safety warnings



IMPORTANT SAFETY INSTRUCTIONS

When using an electrical appliance, basic precautions should always be followed, including the following:

READ ALL INSTRUCTIONS

BEFORE USING THIS DUST EXTRACTOR:

 **WARNING** - To reduce the risk of fire, electric shock, or injury:

- Do not leave the dust extractor when plugged in. Unplug from outlet when not in use and before servicing.
- Use indoors only.
- Do not allow to be used as a toy. Close attention is necessary when used by or near children.
- Use only as describes in this manual. Use only manufacturer's recommended attachments.
- Do not use with damaged cord or plug. If the dust extractor is not working as it should, has been dropped, damaged, left outdoors, or dropped into water, return it to a service center.
- Do not pull or carry by cord, use cord as a handle, close a door on cord, or pull cord around sharp edges or corners. Do not run dust extractor over cord. Keep cord away from heated surfaces.
- Do not unplug by pulling on cord. To unplug, grasp the plug, not the cord.
- Do not handle plug or dust extractor with wet hands.
- Do not put any object into openings. Do not use with any opening blocked; keep free of dust, lint, hair, and anything that may reduce air flow.
- Keep hair, loose clothing, fingers, and all parts of body away from openings and moving parts.
- Turn off all controls before unplugging.
- Use extra care when cleaning on stairs.
- Do not use to pick up flammable or combustible liquids, such as gasoline, or use in areas where they may be present.
- Connect to a properly grounded outlet only. See Grounding instructions.
- Do not pick up anything that is burning or smoking, such as cigarettes, matches, or hot ashes, hot chips or particles, sparks.
- Do not use without dust bag and/or filters in place.

SAVE THESE INSTRUCTIONS

GROUNDING INSTRUCTIONS

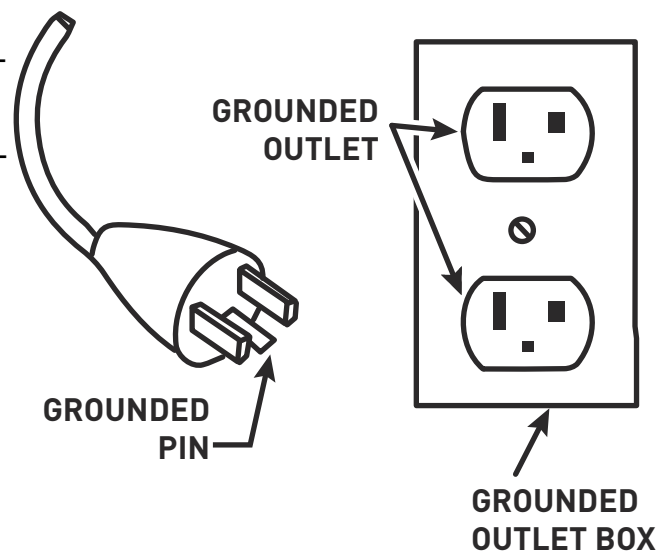
This appliance must be grounded. If it should malfunction or breakdown, grounding provides a path of least resistance for electric current to reduce the risk of electric shock. This vacuum cleaner is equipped with a cord having an equipment-grounding conductor and grounding plug. The plug must be inserted into a appropriate outlet that is properly installed and grounded in accordance with all local codes and ordinances.

WARNING

- Improper connection of the equipment grounding conductor can result in a risk of electric shock. Check with a qualified electrician or service person if you are in doubt as to whether the outlet is properly grounded. Do not modify the plug provided with the dust extractor - if it will not fit the outlet, have a proper outlet installed by a qualified electrician.

This appliance is for use on a nominal 120-V circuit and has a grounding attachment plug that looks like the plug illustrated in sketch A in Figure beside. Make sure that the appliance is connected to an outlet having the same configuration as the plug. No adaptor should be used with this appliance.

GROUNDING METHODS - SKETCH A



Polarization Instructions

To reduce the risk of electric shock, this vacuum cleaner has a polarized plug (one blade is wider than the other). This plug will fit in a polarized outlet only one way. If the plug does not fit fully in the outlet, reverse the plug. If it still does not fit, contact a qualified electrician to install the proper outlet. Do not change the plug in any way.

Further safety instructions

- This appliance must not be used by persons (including children) with reduced physical, sensory or mental capabilities, or lack of experience and knowledge. **Children** need to be supervised to ensure they do not play with the appliance.
- The mobile dust extractor must not be carried by the suction hose mount [1-3].
- **CAUTION! Electric shock due to static discharge.**

The tool is equipped with a "**non**-antistatic (AS) suction hose" in the scope of delivery. Use the optional AS suction hose to use the antistatic function provided on the tool.

- Check the plug, the electrical outlet module, the cable and the filter regularly in order to prevent a hazard. Damaged electrical components must be replaced by an authorised service workshop only.
- Only place the tool on level ground and secure it against rolling away.



CAUTION

This machine is for indoor use only. This machine shall be stored indoors only.



WARNING!

Do not extract embers or other ignition sources. Do not use in conjunction with machines that generate sparks!

Per NFPA 484, do not collect incompatible materials that may react with the metal particles and do not use the dust extractor to collect materials it was not designed to collect. Doing so can result in the contents of the dust extractor catching fire.

- This machine must not be used by people who might have a particularly adverse reaction to an electric shock (e.g. **people with cardiac pacemakers**), because the possibility of the machine building up a static charge cannot be excluded.
- **Keep packaging film away from children.**
There is a risk of suffocation.
- **Pay attention to the work environment and watch out for your own safety and the safety of others when transporting or working with the machine.**

In this way, you can for example prevent tripping hazards caused by the suction hose or mains cable.

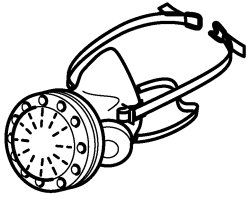
Health hazard by dust



WARNING!

various dust created by power sanding, sawing, grinding, drilling and other construction activities contains chemicals known (to the State of California) to cause cancer, birth defects or other reproductive harm. Some examples of these chemicals are:

- lead from lead-based paints,
- crystalline silica from bricks and cement and other masonry products, and
- arsenic and chromium from chemically treated lumber.



The risk from these exposures varies, depending on how often you do this type of work. To reduce your exposure to these chemicals: work in a well ventilated area, and work with approved safety equipment, such as dust masks that are specially designed to filter out microscopic particles. Wash hands after handling.



WARNING

**TO REDUCE THE RISK OF INJURY, USER
MUST READ INSTRUCTION MANUAL.**

4 Parts of the machine

[1-1]	Electrical outlet module
[1-2]	Cable and accessory holder
[1-3]	Suction hose mount
[1-4]	Handle
[1-5]	Lock
[1-6]	Filter drawer
[1-7]	Locking clip

[1-8]	Exhaust opening
[1-9]	Dirt trap
[1-10]	On/off switch
[1-11]	MAN button
[1-12]	Suction power adjustment

The specified illustrations appear at the beginning of the Operating Instructions.

5 Technical data

Mobile dust extractors	
Power consumption	2.9 - 10 A (350 - 1200 W)
Max. electrical outlet module connected load.	2 A (240 W)
Max. suction capacity (air), extractor/turbine	130 m ³ /h (4591 cu.ft./h) / 222 m ³ /h (7840 cu.ft./h)
Max. vacuum, turbine	24000 Pa
Filter surface area	3898 cm ² (604.2 sq.in.)
Suction hose	27 mm x 3.5 m (1-1/16" x 11.5')
Mains power cable length	5.5 m (18 ft.)
Sound pressure level as per EN 60335-2-69/ uncertainty K	70 dB(A)
Hand-arm vibration value as per EN 60335-2-69/ uncertainty K	< 2.5 m/s ² / 1.5 m/s ²
Degree of protection	IP X4
Container capacity	15 l (4 gal.)
Dimensions LxWxH	470x320x430 mm (18-1/2 x 12-5/8 x 16-15/16")
Weight	11.2 kg (24.7 lbs)

6 Intended use

Mobile dust extractor suitable for

- Extracting non-hazardous dust, dirt, sand and chips,
- Extracting water,
- Increased loads during commercial use, according to IEC/EN 60335-2-69.

This extractor has been tested in accordance with EPA RRP. The HEPA Filter is tested and certified in accordance with IEST RP-CC-001, to filter and exhaust air particles to 0.3 microns with at least 99.97 % efficiency with no bypass leakage.

The mobile dust extractor is only suitable for indoor use.



The user is liable for improper or non-intended use.

7 Commissioning



WARNING

Unauthorised voltage or frequency!

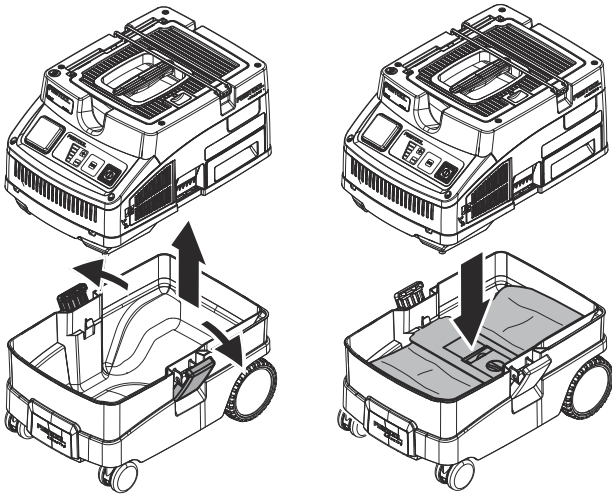
Risk of accidents

- Observe the specifications on the machine's name plate.
- Observe country-specific regulations.

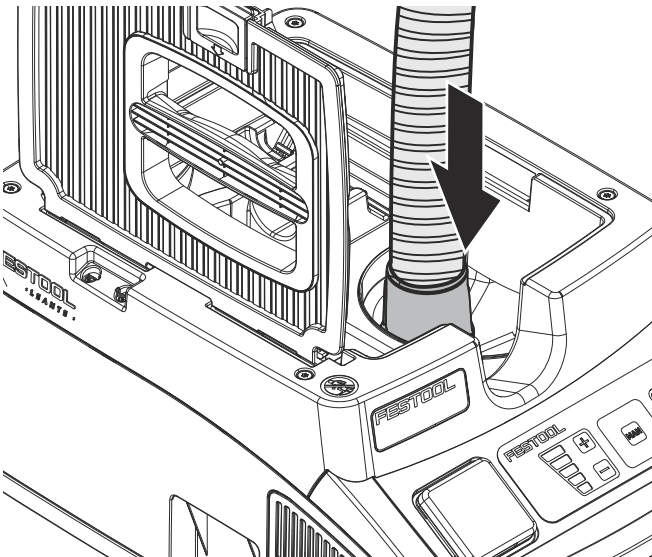
7.1 Initial commissioning

- ▶ Insert the filter bag [2].
- ▶ Connect the suction hose [3].

2



3



7.2 Extension Cord

If an extension cord is required, it must have sufficient cross-section to prevent an excessive drop in voltage or overheating. An excessive drop in voltage reduces the output and can lead to failure of the motor. The table below shows you the correct cord diameter as a function of the cord length for this tool.

Total Extension Cord Length (feet)	25	50	100	150
------------------------------------	----	----	-----	-----

Cable size (AWG)	14	12	not recommended
------------------	----	----	-----------------

Use only U.L. and CSA listed extension cords. Never use two extension cords together. Instead, use one long one.

- ⓘ The lower the AWG number, the stronger the cord.

7.3 Connecting the mobile dust extractor



WARNING

Risk of injury from uncontrolled tool start-up

- ▶ Before switching on ensure that the connected tool is switched off.



WARNING

Risk of injury from electric current

- ▶ Insert the mains plug into an earthed socket.
- ▶ Do not reach into the electrical outlet module on the mobile dust extractor.

- ⓘ While the mobile dust extractor is connected to the mains socket, an electric current is running through electrical outlet module on the mobile dust extractor at all times.

Connecting the mobile dust extractor to a mains socket

The mobile dust extractor is switched off.

- ▶ Connect the power cable to a mains socket. The electrical outlet module [1-1] is live.

Switching the mobile dust extractor to standby mode

- ▶ Press the on/off switch [1-10]. The electrical outlet module [1-1] is live.

- ⓘ The green LED [1-12] indicates standby mode.

Starting the mobile dust extractor automatically

The mobile dust extractor is in standby mode.

- ▶ To start the mobile dust extractor automatically: Switch on the connected tool.

Starting the mobile dust extractor manually

The mobile dust extractor is in standby mode.

- ▶ Press the MAN button [1-11].



- ▶ Pull the mains plug from the socket when you are not using the mobile dust extractor and before performing any cleaning and maintenance work.

7.4 Connecting power tools



WARNING

Risk of injury

- ▶ Observe the maximum electrical outlet module connected load (see section "Technical data").
- ▶ Switch off the power tool.

Connecting a mains-powered power tool to the mobile dust extractor

- ▶ Connect the power tool to the electrical outlet module **[1-1]**.

The power tool is connected to the mobile dust extractor via the power cable.

8 Settings

8.1 Adjusting the suction power

- ▶ Press the plus or minus button **[1-12]** while extracting.

8.2 Temperature cut-out

A temperature cut-out switches the mobile dust extractor off when it reaches a critical temperature to prevent overheating. The bottom LED **[1-12]** indicates a fault.

LED lights up red Excessive temperature

- ▶ Switch off the mobile dust extractor, let it cool down.
- ▶ Switch on the mobile dust extractor again after approx. five minutes.

9 Working

9.1 Dust extraction



Extracting dry materials

Always use a filter bag.

9.2 Extracting wet materials/liquids



Remove the filter bag!

Use a special wet filter.

The dust extractor stops automatically when the maximum fill level is reached.

The bottom LED **[1-12]** lights up red.

- ▶ Switch off the mobile dust extractor **[1-10]**.
- ▶ Open the locking clips **[1-7]** and remove the top section of the machine.
- ▶ Empty the dirt trap **[1-9]**.

After wet extraction, allow the main filter to dry!
Dry the mobile dust extractor before extracting dry dust.



CAUTION

Hazardous dust

Damage to the respiratory passage

- ▶ After extracting wet materials, remove the wet filter and replace it with the main filter for dry materials.



CAUTION

Escaping foam and fluids

- ▶ Switch off and empty the machine immediately.

9.3 Exhaust-air outlet



CAUTION

Hazardous dust

Damage to the respiratory passage

- ▶ Do not blow off any dust!

The exhaust-air outlet offers the option of diverting the exhaust air outside a building using the suction hose.

- ▶ Open the grille in front of the exhaust opening **[1-8]**.
- ▶ Insert the suction hose in the exhaust opening **[1-8]**.

9.4 Changing the filter bag with minimal dust

- ▶ Open the locking clips and remove the top section of the machine **[2]**.
- ▶ Pull the tab on the filter bag until the filter bag opening is fully closed.

The filter bag is now securely closed and can be removed.

- ▶ Fit the top section of the machine and close the locking clips.

9.5 Changing the filter element **[6]**

- ▶ Pull out the used filter drawer **[1-6]**.
- ▶ Dispose of the used filter drawer in accordance with statutory regulations.
- ▶ Insert the new filter drawer **[1-6]**.

(i) Order numbers for accessories, filters and consumables in the Festool catalogue or online at "www.festool.com".

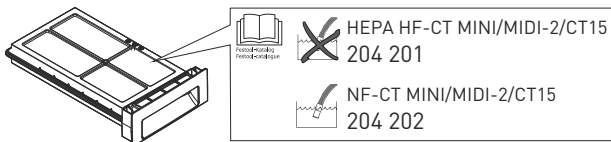
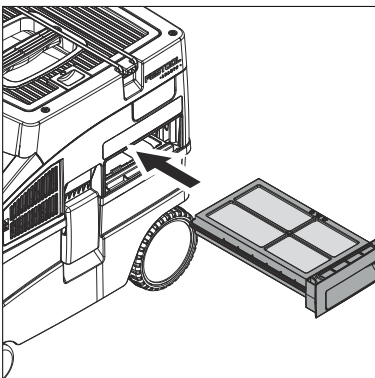
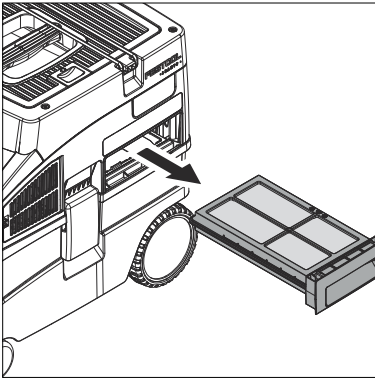
- **Only use original Festool accessories and consumables.** Only accessories tested and approved by Festool are safe and perfectly adapted to the machine and application.

NOTICE

Damage to the motor

- ▶ Never extract material without a main filter or with a damaged main filter, as this can damage the motor.

6



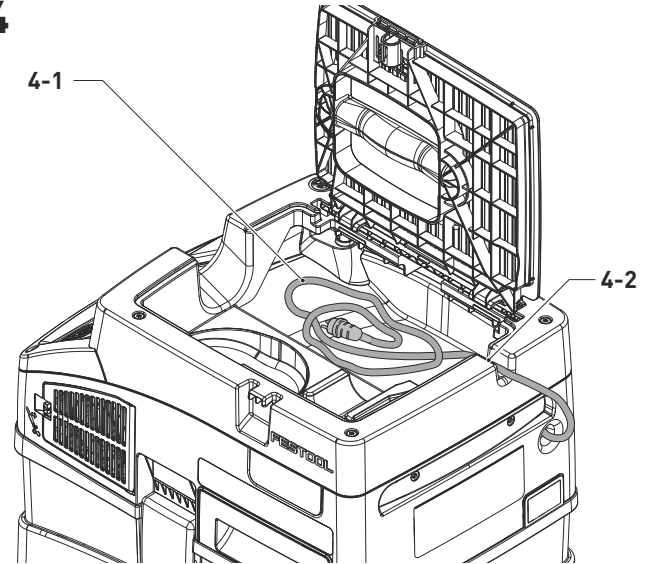
9.6 After finishing work

- ▶ Switch off the mobile dust extractor and pull out the mains plug.
- ▶ Vacuum and wipe the inside and outside of the mobile dust extractor to clean it.
- ▶ Empty the dirt trap.
- ▶ Wind up the mains power cable.
- ▶ Place the mains power cable [4-1] in the sealable depot. To do so, lay the power cable through the recess [4-2].

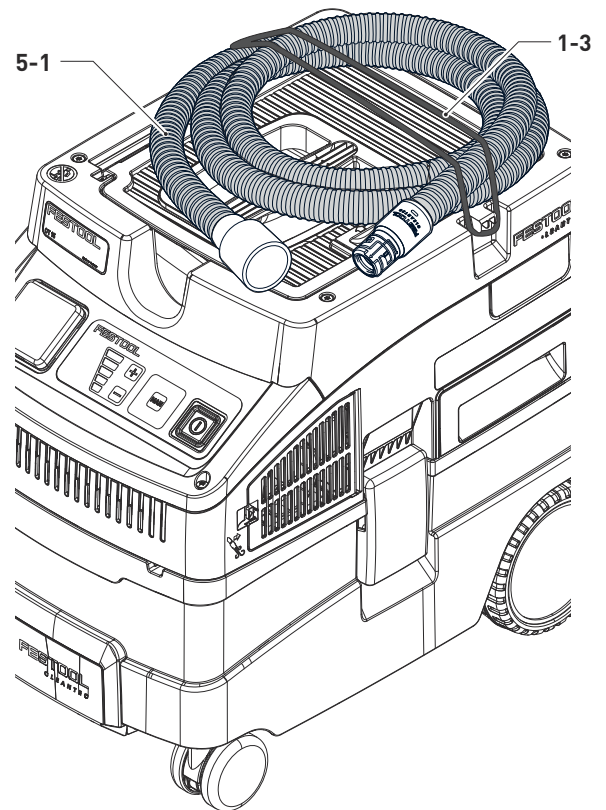
- ▶ Disconnect the suction hose [5-1] and fix it to the mobile dust extractor using the suction hose attachment [1-3].
- ▶ Regularly clean the fill level sensors [7-1] and check for damage.
- ▶ Place the mobile dust extractor in a dry room inaccessible to unauthorised users.

i The lid of the depot also serves as a storage area for tools.

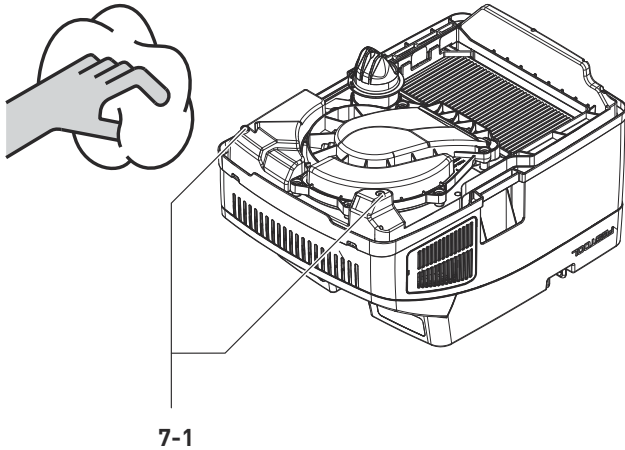
4



5



7



Customer service and repair only through manufacturer or service workshops: Please find the nearest address at: www.festoolusa.com/service



Use only original Festool spare parts! Order No. at: www.festoolusa.com/service

10 Service and maintenance



WARNING

Any maintenance or repair work that requires opening of the motor or gear housing should only be carried out by an authorised Customer Service Centre (name supplied by your dealer)!

- Maintenance or repair work carried out by an unauthorised person can lead to the wrong connection of the power leads or other components, which in turn can lead to accidents with serious consequences.



WARNING

To prevent accidents, always remove the plug from the power supply socket before carrying out any maintenance or repair work on the tool!

- Do not use compressed air to clean the electrical tool! Do not try to clean parts inside the tool in this way, as you could let foreign objects in through the openings of the tool housing.

A dust test must be performed at least once a year by the manufacturer or an instructed person. This test may include checks to determine whether the filter is damaged, the machine is sealed properly and the monitoring features are functioning correctly.

During maintenance and repair work, all components that cannot be cleaned satisfactorily must be replaced. The old components must be sealed in impermeable plastic bags prior to disposal in compliance with applicable regulations for this type of waste.







11 Environment




Do not dispose of the device as domestic waste! Dispose of machines, accessories and packaging at an environmentally responsible recycling centre. Observe the respective national regulations.

Sommaire

1	Symboles.....	16
2	À propos de ce manuel.....	16
3	Consignes de sécurité.....	17
4	Éléments de l'appareil.....	22
5	Caractéristiques techniques.....	22
6	Utilisation conforme.....	22
7	Mise en service.....	23
8	Réglages.....	24
9	Mode de travail.....	24
10	Entretien et maintenance.....	26
11	Environnement.....	27

1 Symboles

Symbole	Signification
	Avertissement de danger
	Avertissement contre le risque d'électrocution
	Notice d'utilisation, lire les consignes de sécurité !
	Porter une protection respiratoire !
	Astuce, information
	Consignes opératoires
W	watt






Symbole	Signification
h	heure
min	minute
s	seconde
kg	kilogramme
Pa	pascal
dB	décibel
V	volt
A	ampère
Hz	hertz
~ a.c.	tension alternative
≡ d.c.	courant continu
n_0	Vitesse de rotation à vide
	Class II conception
.../min min ⁻¹	tours ou course par minute
"	pouce
lbs.	livre
	Diamètre
	Interdiction de monter sur l'appareil

2 À propos de ce manuel

Conservez ces instructions

Il est important pour vous de lire et de comprendre ce manuel. Les informations qu'il contient, se rapporte à la protection **de votre sécurité**

et de prévention des problèmes. Les symboles suivants sont utilisés pour vous aider à reconnaître cette information.

	DANGER	Description du risque imminent et l'incapacité à éviter tout risque qui peut entraîner la mort.
	AVERTISSEMENT	Description des dangers possibles et des blessures qui en résultent ou la mort.
	ATTENTION	Description des dangers et des éventuelles blessures qui en résultent.
	AVIS	Déclaration incluant le type de danger et conséquences possibles.
	CONSEIL	Indique des informations, des notes ou des conseils pour améliorer votre succès en utilisant l'outil.

3 Consignes de sécurité



IMPORTANTES CONSIGNES DE SÉCURITÉ

Lors de l'utilisation d'un outil électrique, respectez les mesures fondamentales de précaution, y compris les points suivants :

LISEZ TOUTES LES INSTRUCTIONS

AVANT D'UTILISER LE PRESENT ASPIRATEUR:

⚠ AVERTISSEMENT - Afin de minimiser les risques d'incendie, de choc électrique et de blessures :

- Ne laissez pas l'aspirateur mobile sans surveillance lorsque celui-ci est branché. Débranchez l'aspirateur mobile si vous ne l'utilisez pas et avant de procéder à sa maintenance.
- Utilisez l'aspirateur mobile uniquement à l'intérieur.
- N'autorisez pas une utilisation de l'aspirateur mobile en tant que jouet. Soyez particulièrement attentif lorsque l'aspirateur mobile est utilisé par des enfants ou à proximité d'enfants.
- Utilisez l'aspirateur mobile uniquement conformément aux explications de la notice. Utilisez exclusivement les accessoires recommandés par le fabricant.
- N'utilisez pas l'aspirateur mobile avec un câble ou une fiche mâle endommagé. Si l'aspirateur mobile ne fonctionne pas normalement, s'il est tombé par terre, s'il a été endommagé, s'il a été laissé à l'air libre ou s'il est tombé dans l'eau, renvoyez-le à un atelier de réparation.
- Ne tirez ou ne portez pas l'appareil par le câble, n'utilisez pas le câble comme poignée, ne coinciez pas le câble dans des portes ou ne guidez pas le câble le long d'arêtes vives. Ne roulez pas avec l'aspirateur mobile sur le câble. Eloignez le câble de surfaces chaudes.
- Ne débranchez pas l'aspirateur mobile en tirant sur le câble. Pour débrancher, saisissez la fiche mâle, non le câble.
- Ne manipulez pas le câble ou l'aspirateur mobile avec des mains mouillées.
- Ne placez aucun objet dans les ouvertures. N'utilisez pas l'aspirateur mobile si les ouvertures sont bouchées ; gardez les ouvertures exemptes de poussière, de peluches, de cheveux et autres objets, qui pourraient diminuer le flux d'air.
- Gardez les cheveux, vêtements amples, doigts et toutes les parties du corps éloignés des ouvertures et des pièces mobiles.
- Coupez tout avant de débrancher l'aspirateur mobile.



IMPORTANTES CONSIGNES DE SÉCURITÉ

- Soyez particulièrement prudent lorsque vous nettoyez des escaliers.
- N'aspirez pas de liquides inflammables et explosibles, tels qu'essence, ou n'utilisez pas l'aspirateur mobile dans des zones où de tels liquides se trouvent.
- Branchez l'aspirateur mobile uniquement dans une prise de courant avec terre appropriée. Voir les instructions de mise à la terre.
- N'aspirez rien qui brûle ou fume, tels que cigarettes, allumettes ou cendre chaude, copeaux ou particules chauds, étincelles.
- N'utilisez pas l'aspirateur mobile sans sac à poussières et/ou filtre en place.

CONSERVEZ CES INSTRUCTIONS

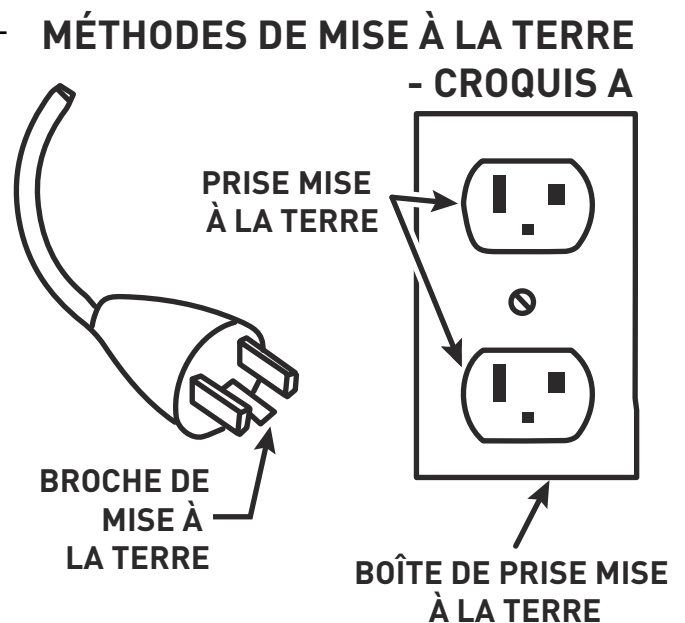
INSTRUCTIONS DE MISE A LA TERRE

Cet appareil doit être relié à la terre. En cas de défaut ou de panne de l'appareil, la mise à la terre assure le chemin le plus direct (avec la résistance la plus faible) pour le courant électrique, afin de minimiser le risque d'un choc électrique. Cet aspirateur mobile est équipé d'un câble possédant un conducteur de protection et une fiche mâle de sécurité ("Schuko"). La fiche mâle doit être branchée dans une prise de courant appropriée, qui est correctement installée et mise à la terre, conformément aux codes et ordonnances locaux.

⚠️ AVERTISSEMENT

- Un mauvais raccordement du conducteur de protection peut entraîner un risque de choc électrique. Si vous n'êtes pas certain si la prise de courant est correctement reliée à la terre, faites vérifier cela par un électricien qualifié ou un chargé de maintenance. Ne modifiez pas la fiche mâle livrée avec l'aspirateur mobile – si la fiche mâle ne s'adapte pas dans la prise de courant, faites dans ce cas installer une prise de courant appropriée par un électricien.

Cette machine est conçue pour être utilisée sur un circuit nominal de 120 volts, et possède une prise de terre comme celle illustrée par le croquis A de l'illustration. Vérifiez que la prise du câble est connectée à une prise murale ayant la même configuration. Aucun adaptateur ne devrait être utilisé avec cet machine.



Instructions relatives à la polarisation

Afin de diminuer le risque de choc électrique, cet aspirateur mobile possède une fiche mâle polarisée (une broche est plus large que l'autre). La fiche mâle s'adapte uniquement dans un sens dans la prise de courant polarisée. Si la fiche mâle ne s'adapte pas correctement dans la prise de courant, tournez la fiche. Si, après cela, elle ne s'adapte toujours pas, demandez à un électricien d'installer une prise de courant appropriée. Ne remplacez en aucun cas la fiche mâle.

Consignes de sécurité additionnelles

- Cet appareil ne doit pas être utilisé par des personnes (y compris des enfants) aux capacités physiques, sensorielles ou mentales diminuées

ou manquant d'expérience et de connaissances. Il convient de surveiller **les enfants** afin de s'assurer qu'ils ne jouent pas avec l'appareil.

- L'aspirateur ne doit pas être porté avec la fixation du tuyau d'aspiration [1-3] !
- **ATTENTION ! Choc électrique par décharge électrostatique..**
Le tuyau d'aspiration joint à l'appareil en livraison standard **n'est pas** antistatique (type AS) ! Pour utiliser la fonction antistatique dont l'appareil est pré-équipé, il est nécessaire d'utiliser un tuyau d'aspiration AS disponible en option.
- Contrôler régulièrement la fiche, la prise, le câble et le filtre afin d'éviter tout danger. Le remplacement des composants électriques endommagés doit uniquement être confié à un atelier de service après-vente agréé.
- Poser l'appareil uniquement sur une surface plane et le caler pour l'empêcher de rouler.



ATTENTION

Cette machine est uniquement prévue pour l'utilisation à l'intérieur. Cette machine ne peut être stockée qu'à l'intérieur.

- **AVERTISSEMENT!**

Ne pas aspirer de braises ou autres sources d'étincelles. Ne pas utiliser avec des machines sources d'étincelles!

Selon la norme NFPA 484, ne pas collecter de matériaux incompatibles susceptibles de réagir avec les particules métalliques et ne pas utiliser l'extracteur de poussière pour collecter des matériaux pour lesquels il n'a pas été conçu. Sinon, le contenu de l'extracteur de poussière peut prendre feu.

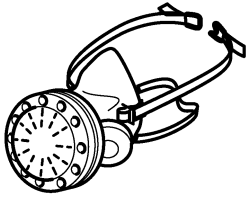
- Cet appareil ne doit pas être utilisé par des personnes pouvant être sensibles à une décharge électrique (par ex. **des personnes avec stimulateur cardiaque**) étant donné qu'une charge statique de l'appareil ne peut être exclue.
- **Tenez les films d'emballage hors de portée des enfants.**
Sinon, ils risquent de s'étouffer.
- **Tenez compte de l'environnement de travail et veillez à votre sécurité et à celle des autres durant le transport ou l'utilisation de l'appareil.**
Vous éviterez ainsi par ex. des risques de trébuchement sur le tuyau d'aspiration ou le câble secteur.

La poussière, un risque pour la santé

AVERTISSEMENT!

certaines poussières créées par le ponçage mécanique, le sciage, le meulage, le perçage et autres activités reliées à la construction contiennent des substances chimiques connues (dans l'État de la Californie) comme pouvant causer le cancer, des anomalies congénitales ou représenter d'autres dangers pour la reproduction. Voici quelques exemples de telles substances:

- plomb provenant de peintures à base de plomb,
- silice cristallisée utilisée dans les briques, le ciment et autres matériaux de maçonnerie, et
- arsenic et chrome du bois d'oeuvre traité avec un produit chimique.



Le risque d'exposition à de tels produits varie selon la fréquence à laquelle vous faites ce genre de travail. Pour réduire les risques d'exposition à ces substances chimiques : travaillez dans un endroit adéquatement ventilé et utilisez un équipement de sécurité approuvé, tel que masques antipoussières spécialement conçus pour filtrer les particules microscopiques.



AVERTISSEMENT

**POUR RÉDUIRE LE RISQUE DE DOMMAGES,
L'UTILISATEUR DOIT LIRE LE MANUEL
D'INSTRUCTION.**

4 Éléments de l'appareil

- [1-1]** Prise de l'appareil
- [1-2]** Logement des câbles et accessoires
- [1-3]** Fixation du tuyau d'aspiration
- [1-4]** Poignée
- [1-5]** Dispositif de verrouillage
- [1-6]** Tiroir de filtre
- [1-7]** Clip de fermeture
- [1-8]** Ouverture de soufflage
- [1-9]** Cuve de collecte
- [1-10]** Interrupteur marche/arrêt
- [1-11]** Touche MAN
- [1-12]** Régulation de la puissance d'aspiration

Les illustrations indiquées se trouvent en début de notice d'utilisation.

5 Caractéristiques techniques

Aspirateurs	
Puissance absorbée	2.9 - 10 A (350 -1200 W)
Valeur de raccordement max. pour la prise de l'appareil	2 A (240 W)
Débit (air) max., aspirateur/centrale d'aspiration	130 m ³ /h (4591 cu.ft./h) / 222 m ³ /h (7840 cu.ft./h)
Dépression max., centrale d'aspiration	24000 Pa
Surface filtrante	3898 cm ² (604.2 sq.in.)
Tuyau d'aspiration	27 mm x 3.5 m (1-1/16" x 11.5')
Longueur du câble de raccordement secteur	5.5 m (18 ft.)
Niveau de pression acoustique selon EN 60335-2-69/ incertitude K	70 dB(A)
Valeur de vibrations mains-bras selon EN 60335-2-69/ incertitude K	< 2.5 m/s ² / 1.5 m/s ²
Degré de protection	IP X4
Volume de la cuve	15 l (4 gal.)
Dimensions L x l x h	470x320x430 mm (18-1/2 x 12-5/8 x 16-15/16")
Poids	11.2 kg (24.7 lbs)

6 Utilisation conforme

Cet aspirateur convient à

- convient à l'aspiration de poussières, saletés, sable et copeaux non nocifs pour la santé,
- l'aspiration d'eau,
- pour des sollicitations élevées dans le cadre d'un usage professionnel, conformément à la norme CEI/NE 60335-2-69.

Cet aspirateur a été testé et reconnu conforme à la norme EPA RRP. Le filtre HEPA a été testé et certifié conforme à la norme IEST RP-

CC-001, ce qui signifie qu'il filtre et retient à au moins 99,97 % sans fuite de dérivation les particules de taille supérieure ou égale à 0,3 micron contenues dans l'air extrait.

L'aspirateur ne peut être utilisé qu'à l'intérieur.



L'utilisateur est responsable des dommages provoqués par une utilisation non conforme.

7 Mise en service



AVERTISSEMENT

Tension ou fréquence non admissible !

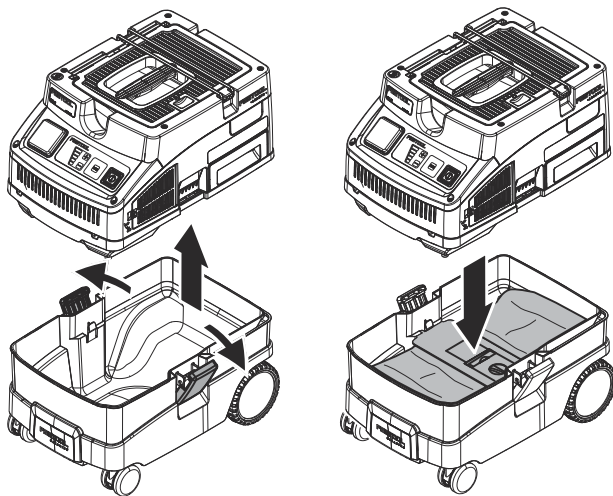
Risque d'accident

- ▶ Respecter les consignes indiquées sur la plaque signalétique.
- ▶ Respecter les particularités propres au pays.

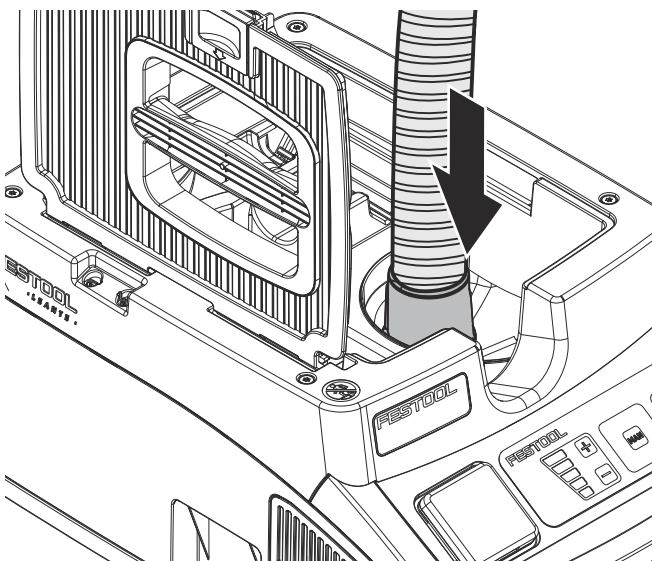
7.1 Première mise en service

- ▶ Placer le sac filtre [2].
- ▶ Raccorder le tuyau d'aspiration [3].

2



3



7.2 Rallonge électrique

Si une rallonge électrique est nécessaire, elle doit présenter une section suffisante afin d'éviter une chute de tension excessive ou une surchauffe. Une chute de tension excessive réduit la puissance et peut entraîner la destruction du

moteur. Le tableau ci-dessous vous présente la section correcte de la rallonge en fonction de sa longueur pour cet appareil.

Longueur totale de la rallonge (pieds)	25	50	100	150
Section de la rallonge (AWG)	14	12	pas recommandé	

Utilisez exclusivement des rallonges recommandées par U.L. et CSA.

N'utilisez jamais deux rallonges raccordées l'une à l'autre, mais remplacez-les par une rallonge plus longue.

- ⓘ Plus le calibre AWG est bas, plus le câble est résistant.

7.3 Raccorder l'aspirateur



AVERTISSEMENT

Risque de blessures dû à un démarrage incontrôlé des outils

- ▶ Avant la mise en marche, s'assurer que l'outil raccordé est éteint.



AVERTISSEMENT

Risque de blessures dû au courant électrique

- ▶ Brancher la fiche secteur dans une prise de courant mise à la terre.
- ▶ Ne pas mettre les doigts dans la prise de courant de l'aspirateur.

- ⓘ Lorsque l'aspirateur est relié à la prise secteur, sa prise de courant est constamment sous tension.

Relier l'aspirateur à la prise de courant

L'aspirateur est éteint.

- ▶ Relier le câble secteur à la prise de courant.

La prise de courant de l'appareil [1-1] est sous tension.

Mettre l'aspirateur en mode veille

- ▶ Appuyer sur l'interrupteur [1-10] marche/arrêt.

La prise de courant de l'appareil [1-1] est sous tension.

- ⓘ Le témoin LED vert [1-12] signale le mode veille.

Enclencher automatiquement l'aspirateur


L'aspirateur est en mode veille.

- Pour enclencher automatiquement l'aspirateur : allumer l'outil raccordé.

Enclencher manuellement l'aspirateur

L'aspirateur est en mode veille.

- Appuyer sur la touche MAN [1-11].

 Lorsque l'aspirateur n'est pas utilisé, ainsi qu'avant les opérations d'entretien et de nettoyage, débrancher la fiche secteur de l'aspirateur de la prise de courant.

7.4 Raccordement d'un outil électroportatif



AVERTISSEMENT

Risques de blessures

- Respecter la valeur de raccordement max. valable pour la prise de courant de l'appareil (voir chapitre Caractéristiques techniques).
- Éteindre l'outil électroportatif.

Relier à l'aspirateur un outil électroportatif fonctionnant sur secteur

- Brancher l'outil électroportatif sur la prise de courant de l'appareil [1-1].

L'outil électroportatif est relié à l'aspirateur par le câble secteur.

8 Réglages

8.1 Réguler la puissance d'aspiration

- En mode aspiration, appuyer sur la touche plus ou moins [1-12].

8.2 Fusible thermique

Afin d'éviter une surchauffe, le fusible thermique coupe l'aspirateur avant d'atteindre la température critique. Le témoin LED inférieur [1-12] indique un défaut.

Le témoin LED s'allume en rouge	Température excessive
---------------------------------	-----------------------

- Éteindre l'aspirateur et le laisser refroidir.
- Rallumer l'aspirateur au bout de 5 minutes environ.

9 Mode de travail

9.1 Aspiration de substances sèches



Aspiration de substances sèches

Utiliser toujours un sac filtre.

9.2 Aspiration de matières mouillées/liquides



Retirer le sac filtre.

Utiliser des filtres spéciaux pour liquides.

Lorsque la hauteur de remplissage maximale est atteinte, le fonctionnement de l'aspirateur est interrompu automatiquement.

Le témoin LED [1-12] inférieur s'allume en rouge.

- Éteindre l'aspirateur [1-10].
- Ouvrir les clips de fermeture [1-7] et retirer la partie supérieure de l'appareil.
- Vider la cuve de collecte [1-9].

Après l'aspiration de liquides, laisser sécher le filtre principal.

Sécher l'aspirateur avant l'aspiration de poussières sèches.



ATTENTION

Poussières nocives pour la santé

Lésions des voies respiratoires

- Après l'aspiration de liquides, retirer le filtre pour liquides et le remplacer par le filtre principal pour matières sèches.



ATTENTION

Fuite de mousse et de liquides

- Éteindre immédiatement l'appareil et le vider.

9.3 Sortie d'évacuation d'air



ATTENTION

Poussières nocives pour la santé

Lésions des voies respiratoires

- Ne pas rejeter de poussières.

La sortie d'évacuation d'air offre la possibilité de rejeter l'air aspiré hors du bâtiment au moyen du tuyau d'aspiration.

- Ouvrir la grille située devant l'ouverture de soufflage [1-8].
- Insérer le tuyau d'aspiration dans l'ouverture de soufflage [1-8].

9.4 Remplacer le sac filtre en évitant de répandre de la poussière

- Ouvrir les agrafes de fermeture et retirer la partie supérieure de l'appareil [2].
- Tirer la languette du sac filtre jusqu'à ce que l'orifice du sac filtre soit complètement fermé.

Le sac filtre est maintenant correctement fermé et peut être retiré.

- ▶ Mettre en place la partie supérieure de l'appareil et fermer les clips de fermeture.

9.5 Remplacement du filtre [6]

- ▶ Sortir le tiroir de filtre [1-6] usagé.
- ▶ Éliminer le tiroir de filtre usagé conformément aux dispositions légales.
- ▶ Installer un nouveau tiroir de filtre [1-6].

i Les références des accessoires, des filtres et des consommables figurent dans le catalogue Festool ou sur Internet, à l'adresse « www.festool.fr ».

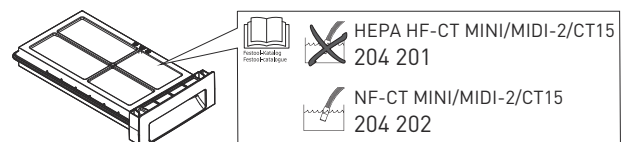
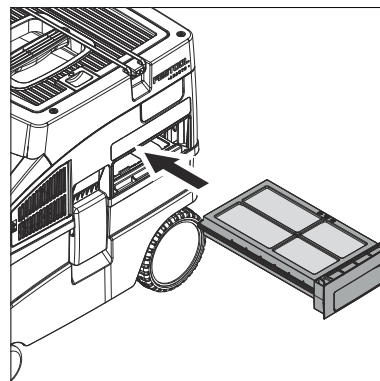
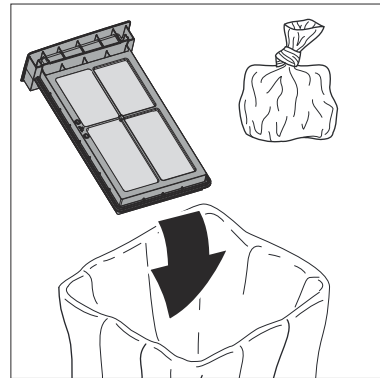
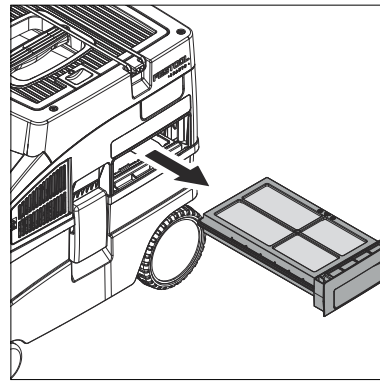
- **Utiliser uniquement des accessoires et consommables Festool d'origine.** Seuls les accessoires testés et validés par Festool sont sûrs et parfaitement adaptés à la fois à l'appareil et à l'application.

AVIS

Endommagement du moteur

- ▶ Ne jamais utiliser l'aspirateur sans le filtre principal ou avec un filtre principal endommagé. Sinon, le moteur risque d'être endommagé.

6

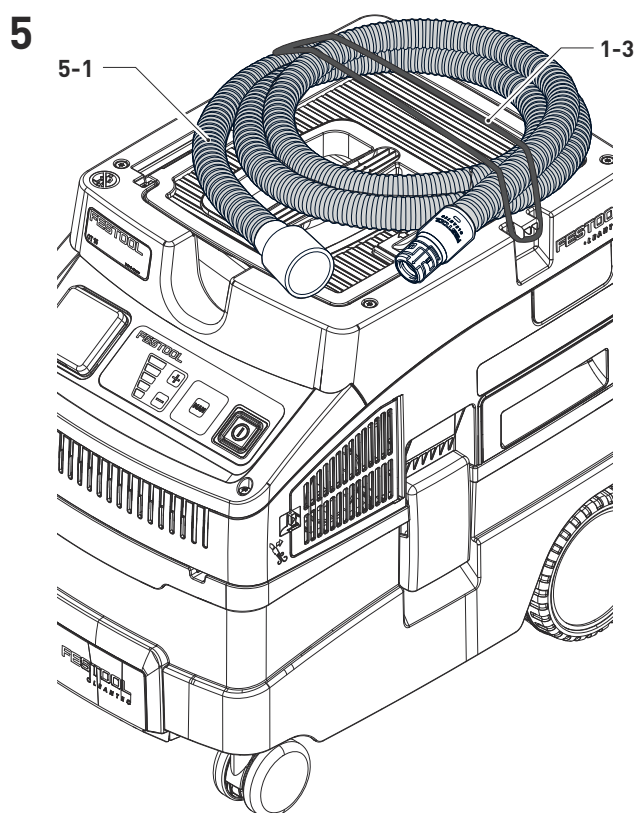
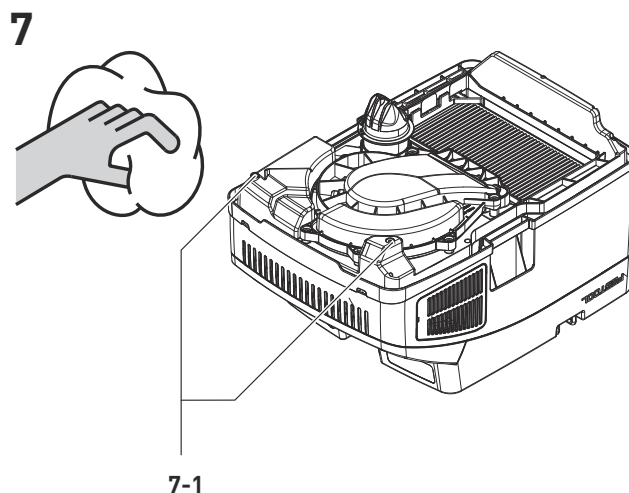
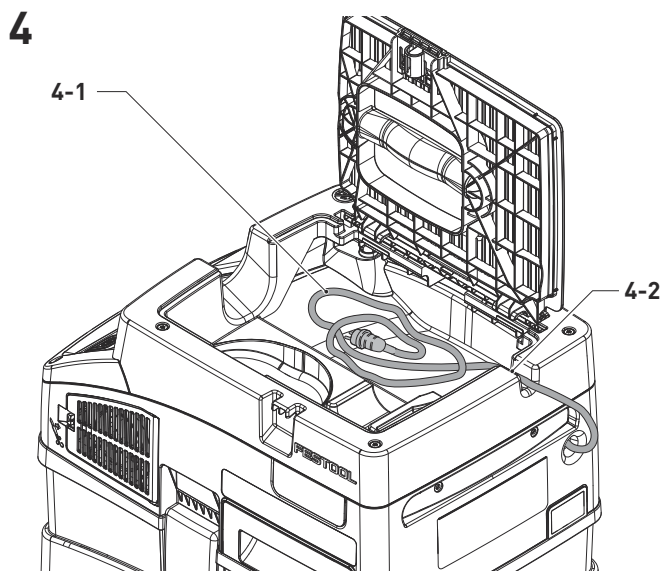


9.6 Après le travail

- ▶ Éteindre l'aspirateur et débrancher la fiche secteur.
- ▶ Nettoyer l'aspirateur à l'intérieur et à l'extérieur en l'aspirant et en l'essuyant.
- ▶ Vidanger la cuve de collecte.
- ▶ Enrouler le câble de raccordement secteur.
- ▶ Placer le câble de raccordement secteur [4-1] dans le logement verrouillable. Pour cela, introduire le câble secteur dans l'évidement [4-2].
- ▶ Débrancher le tuyau d'aspiration [5-1] et le fixer sur l'aspirateur à l'aide de la fixation du tuyau d'aspiration [1-3].

- ▶ Nettoyer régulièrement les capteurs de niveau de remplissage [7-1] et examiner les dommages éventuels.
- ▶ Ranger l'aspirateur dans un local sec et le protéger de toute utilisation non autorisée.

i Le couvercle du logement permet également de poser des outils.



10 Entretien et maintenance



AVERTISSEMENT

Tout travail de maintenance ou de réparation, qui nécessite l'ouverture du moteur ou du carter d'engrenages doit uniquement être effectué par un centre service-client autorisé (nom fourni par votre revendeur) !

- ▶ Les travaux de maintenance ou de réparation effectués par un personnel non autorisé peuvent conduire à la mauvaise connexion de câbles d'alimentation ou d'autres composants, ce qui peut entraîner à son tour des accidents avec des conséquences graves.



AVERTISSEMENT

Pour éviter les accidents, retirez toujours la fiche mâle de la prise d'alimentation électrique avant d'effectuer tout travail de maintenance ou de réparation sur la machine !

- ▶ N'utilisez pas d'air comprimé pour nettoyer l'outil électrique ! N'essayez pas de nettoyer des parties à l'intérieur de la machine de cette façon, étant donné que des corps étrangers pourraient pénétrer dans les ouvertures du carter de la machine.

Observez les consignes suivantes :

- Un contrôle technique doit être effectué au moins une fois par an par le fabricant ou une personne instruite (endommagement du filtre, étanchéité de l'appareil et fonctionnement des dispositifs de contrôle, etc.).
- Ce qui ne peut pas être nettoyé, doit être éliminé. À cet effet, utiliser des sacs imperméables. Respecter les consignes relatives à l'élimination en vigueur !



Seuls le fabricant et un atelier homologué sont habilités à effectuer **toute réparation ou service**. Les adresses à proximité sont disponibles sur: www.festoolusa.com/service



Utilisez uniquement des pièces de rechange Festool d'origine. Référence sur: www.festoolusa.com/service







11 Environnement

Ne jetez pas l'appareil avec les ordures ménagères ! Éliminez l'appareil, les accessoires et les emballages de façon compatible avec l'environnement. Respectez les prescriptions nationales en vigueur.

Índice de contenidos

1	Símbolos.....	28
2	Sobre este manual.....	28
3	Indicaciones de seguridad.....	29
4	Componentes de la herramienta.....	34
5	Datos técnicos.....	34
6	Uso conforme a lo previsto.....	34
7	Puesta en servicio.....	35
8	Ajustes.....	36
9	Trabajo.....	36
10	Mantenimiento y cuidado.....	38
11	Medio ambiente.....	39






1 Símbolos




Símbolo	Significado
	Aviso de peligro general
	Peligro de electrocución
	¡Leer el manual de instrucciones y las indicaciones de seguridad!
	¡Utilizar protección respiratoria!
	Consejo, indicación
	Guía de procedimiento
W	watios

2 Sobre este manual

Guarde estas instrucciones

Es importante que usted lea y entienda este manual. La información que contiene se relaciona con la protección de **su seguridad y la**

	PELIGRO	Descripción de peligro inminente y fracaso para evitar riesgos que podran causar la muerte.
	ADVERTENCIA	Descripción de peligro y posibles lesiones resultantes o la muerte.
	PRECAUCIÓN	Descripción de peligro y posibles lesiones resultantes.
	AVISO	Declaración incluyendo el tipo de riesgo y posible resultados.
	CONSEJO	Indica informaciones, notas, o consejos para mejorar su éxito con la herramienta.

Símbolo	Significado
h	horas
min	minutos
s	segundos
kg	kilogramo
Pa	pascal
dB	decibelio
V	voltios
A	amperios
Hz	hertzios
~ a.c.	tensión alterna
≡ d.c.	tensión continua
n_0	revoluciones por minuto en vacío
	Clase II Construcción
rpm min ⁻¹	revoluciones por minuto
"	pulgada
lbs.	libras
	diámetro
	Prohibido subir

prevención de problemas. Los símbolos que siguen se utilizan para ayudarlo a reconocer esta información.

3 Indicaciones de seguridad



INDICACIONES DE SEGURIDAD IMPORTANTES

Observe las medidas básicas de precaución siempre que utilice una máquina eléctrica, incluidas las siguientes:

LEA TODAS LAS INSTRUCCIONES

ANTES DE UTILIZAR EL SISTEMA DE ASPIRACIÓN:

ADVERTENCIA - Para disminuir el riesgo de incendio, de descargas eléctricas y de lesiones:

- Tenga el sistema móvil de aspiración siempre vigilado mientras esté enchufado. Desenchufe el sistema móvil de aspiración cuando no lo utilice y cuando vaya a efectuar el mantenimiento.
- Solamente utilice el sistema móvil de aspiración en el interior.
- No permita que el sistema móvil de aspiración se utilice como juguete. Preste especial atención si los niños utilizan el sistema móvil de aspiración o cuando se use estando ellos cerca.
- Aplique el sistema móvil de aspiración únicamente como se describe en las instrucciones. Utilice exclusivamente accesorios recomendados por el fabricante.
- No utilice el sistema móvil de aspiración si el cable o el enchufe está deteriorado. Si el sistema móvil de aspiración no funciona como debería, si se ha caído, está dañado, se ha dejado a la intemperie o sumergido en agua, llévelo a un taller para su reparación.
- No tire del cable ni lo utilice como asidero para desplazar el aspirador; procure que el cable no quede aprisionado en las puertas ni roce bordes cortantes. No pase el sistema móvil de aspiración por encima del cable. Mantenga el cable alejado de superficies calientes.
- No desenchufe el sistema móvil de aspiración tirando del cable. Tire siempre del enchufe, no del cable.
- No manipule el cable ni el sistema móvil de aspiración con las manos mojadas.
- No introduzca ningún objeto en las aberturas. No utilice el sistema móvil de aspiración si hay alguna abertura obstruida; mantenga las aberturas limpias de polvo, hilachas, pelos o cualquier otra cosa que pueda reducir el flujo de aire.
- Mantenga el pelo, la ropa holgada, los dedos o cualquier otra parte del cuerpo alejados de las aberturas y de las piezas en movimiento.
- Apáguelo todo antes de desenchufar el sistema móvil de aspiración.



INDICACIONES DE SEGURIDAD IMPORTANTES

- Tenga especial precaución cuando pase el aspirador en escaleras.
- No recoja líquidos inflamables o explosivos, como puede ser la gasolina, ni utilice el sistema móvil de aspiración en zonas donde se encuentren estos líquidos.
- Enchufe el sistema móvil de aspiración sólo en una caja de contacto adecuada que disponga de conexión a tierra. Véanse las instrucciones para la puesta a tierra.
- No recoja ningún objeto que arda o humee, como cigarrillos, fósforos o ceniza caliente, virutas a rojo vivo o partículas calientes, chispas.
- No utilice el sistema móvil de aspiración si el saco para polvo y/o el filtro está desmontado.

GUARDE ESTAS INSTRUCCIONES

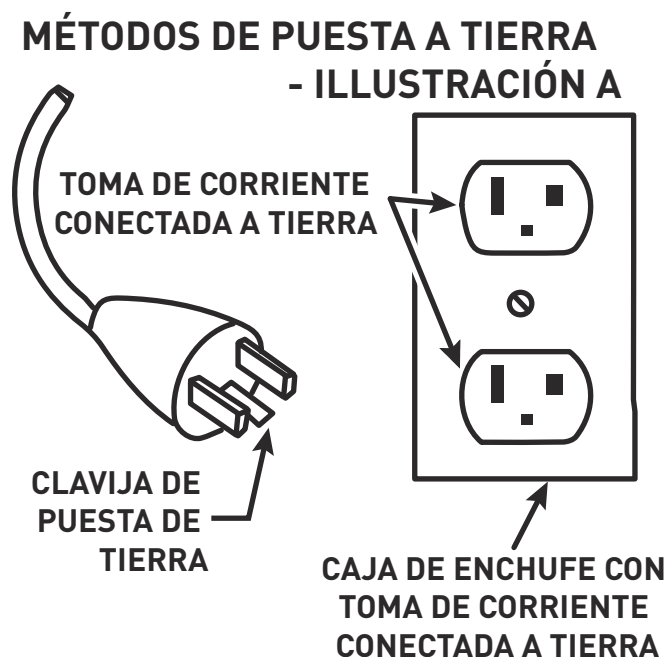
INSTRUCCIONES PARA LA PUESTA A TIERRA

Esta máquina requiere una puesta a tierra. En caso de tener un fallo o una avería, la puesta a tierra proporciona el recorrido más corto de resistencia para la corriente eléctrica reduciendo así el peligro de recibir una descarga eléctrica. El sistema móvil de aspiración está equipado con un cable que tiene conductor de protección y enchufe Schuko. El enchufe debe conectarse en una caja de contacto adecuada que esté correctamente instalada y puesta a tierra de acuerdo con los códigos y disposiciones locales.

ADVERTENCIA

- Una conexión incorrecta del conductor de protección puede conllevar peligro de descarga eléctrica. Si no está seguro de si la caja de contacto está puesta a tierra, haga que lo compruebe un electricista especializado o un operario de mantenimiento. No modifique el enchufe con el que se suministra el sistema móvil de aspiración; si el enchufe no se ajusta a la caja de contacto, es conveniente que un técnico electricista instale una caja de contacto apropiada.

Este sistema de aspiración se debe usar en un circuito nominal de 120 voltios y tiene un enchufe de conexión a tierra que se ve como el que aparece en la ilustración A alado. Asegúrese que el sistema esté conectado a un toma-corriente que tenga la misma configuración que el enchufe. No deben utilizarse adaptadores con este sistema.



Instrucciones sobre la polarización

Este sistema móvil de aspiración tiene un enchufe polarizado (una clavija es más ancha que la otra) para reducir el riesgo de recibir una descarga eléctrica. El enchufe sólo se puede insertar en una dirección en la caja de contacto polarizada. Si el enchufe no entra en la caja de contacto, gírelo. Si esta medida tampoco da resultado, llame a un técnico electricista para instalar una caja de contacto apropiada. En ningún caso debe cambiar el enchufe.

Indicaciones de seguridad adicionales

- Esta herramienta no debe ser utilizada por personas (incluidos los niños) que por razones físicas, sensoriales o psíquicas, inexperiencia o

desconocimiento no estén capacitadas para su uso. Debe vigilarse a **los niños** para evitar que jueguen con la herramienta.

- El sistema móvil de aspiración no debe transportarse por la fijación del tubo flexible de aspiración[1-3].
- **ATENCIÓN. Descarga eléctrica debida a descarga estática.**
¡La herramienta está equipada en la dotación de suministro con una manguera de aspiración que **no** es antiestática (AS)! Utilice la manguera de aspiración antiestática (AS) opcional para utilizar la función antiestática incluida en la unidad.
- Comprobar periódicamente el enchufe, la caja de contacto, el cable y el filtro para evitar riesgos. Acudir exclusivamente a un taller autorizado para sustituir los componentes eléctricos dañados.
- Deposite la herramienta únicamente en superficies lisas y asegúrela para que no se mueva.



PRECAUCIÓN

Esta herramienta solo es apropiada para el uso en interiores. Esta herramienta solo debe guardarse en interiores.

- ¡ADVERTENCIA!

No aspire ascuas ni otras fuentes de ignición. No utilice en combinación con máquinas que puedan desprender chispas.

De acuerdo con la NFPA 484, no recoja materiales incompatibles que puedan reaccionar con las partículas de metal y no utilice el extractor de polvo para recoger materiales para los cuales no esté diseñado. De lo contrario, el contenido del extractor de polvo podría incendiarse.

- Dado que no se puede descartar que esta herramienta genere una carga estática, no debe ser utilizada por personas que pudieran sufrir reacciones a descargas eléctricas (p. ej., **personas con marcapasos**).
- **Mantenga las láminas de embalaje fuera del alcance de los niños.**
Existe peligro de asfixia.
- **Tenga en cuenta el entorno de trabajo y preste atención a su propia seguridad y a la de terceros al transportar el dispositivo o al trabajar con él.**

De este modo, evitará el riesgo de tropiezos, p. ej., con el tubo flexible de aspiración o la conducción de red.

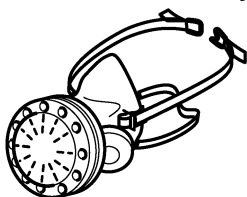
Riesgos para la salud producidos por el polvo

ADVERTENCIA!

algunos polvos creados por lijadoras motorizadas, aserraderos, trituradores, perforadoras y otras actividades de construcción contienen sustancias químicas que se sabe (en el Estado de California) causan cáncer, defectos

de nacimiento u otros daños al sistema reproductivo. Algunos ejemplos de estas sustancias químicas son:

- Plomo de las pinturas con base de plomo
- Sílice cristalino de los ladrillos y cemento y otros productos de mampostería, y
- Arsénico y cromo de madera tratada con sustancias químicas



El riesgo de exposición a estas sustancias varía, dependiendo de cuantas veces se hace este tipo de trabajo. Para reducir el contacto con estas sustancias químicas: trabaje en un área con buena ventilación y trabaje con equipo de seguridad aprobado, como mascarillas para el polvo diseñadas específicamente para filtrar partículas microscópicas.



ADVERTENCIA

PARA REDUCIR EL RIESGO DE LESIÓN, EL USUARIO DEBE LEER EL MANUAL DE INSTRUCCIÓN.

4 Componentes de la herramienta

- [1-1]** Caja de contacto de la máquina
- [1-2]** Depósito de cables y accesorios
- [1-3]** Fijación del tubo flexible de aspiración
- [1-4]** Empuñadura
- [1-5]** Bloqueo
- [1-6]** Cajón de filtro

- [1-7]** Abrazaderas de cierre
- [1-8]** Abertura de soplado
- [1-9]** Depósito para suciedad
- [1-10]** Interruptor de conexión y desconexión
- [1-11]** Tecla MAN
- [1-12]** Regulación del cable de aspiración

Las figuras indicadas se encuentran al principio del manual de instrucciones.

5 Datos técnicos

Sistemas móviles de aspiración	
Consumo de potencia	2.9 - 10 A (350 - 1200 W)
Consumo nominal máx. del enchufe de la máquina	2 A (240 W)
Caudal de aire (volumen) máx., aspirador/turbina	130 m ³ /h (4591 cu.ft./h) / 222 m ³ /h (7840 cu.ft./h)
Depresión máx., turbina	24000 Pa
Superficie del filtro	3898 cm ² (604.2 sq.in.)
Tubo flexible de aspiración	27 mm x 3.5 m (1-1/16" x 11.5')
Longitud de la línea de conexión a la red	5.5 m (18 ft.)
Nivel de intensidad sonora según la norma EN 60335-2-69/Incertidumbre K	70 dB(A)
Nivel de vibración mano-brazo según EN 60335-2-69/Incertidumbre K	< 2.5 m/s ² / 1.5 m/s ²
Tipo de protección	IP X4
Capacidad del depósito	15 l (4 gal.)
Dimensiones (L x An x Al)	470x320x430 mm (18-1/2 x 12-5/8 x 16-15/16")
Peso	11.2 kg (24.7 lbs)

6 Uso conforme a lo previsto

El sistema de aspiración móvil es apropiado para

- succionar y aspirar polvo no perjudicial para la salud, suciedad, arena, virutas;
- aspirar agua;
- proporcionar un alto rendimiento en aplicaciones profesionales; conforme a IEC/EN 60335-2-69.

Este extractor se ha probado en conformidad con EPA RRP. El filtro HEPA ha sido probado y certificado en conformidad con IEST RP-

CC-001, para filtrar y expulsar partículas de aire de 0,3 micras con una eficiencia mínima de 99,97 % y sin fugas por bypass.

El sistema móvil de aspiración solo es apto para interiores.



El usuario será responsable de cualquier utilización indebida.

7 Puesta en servicio



ADVERTENCIA

Tensión o frecuencia no permitida

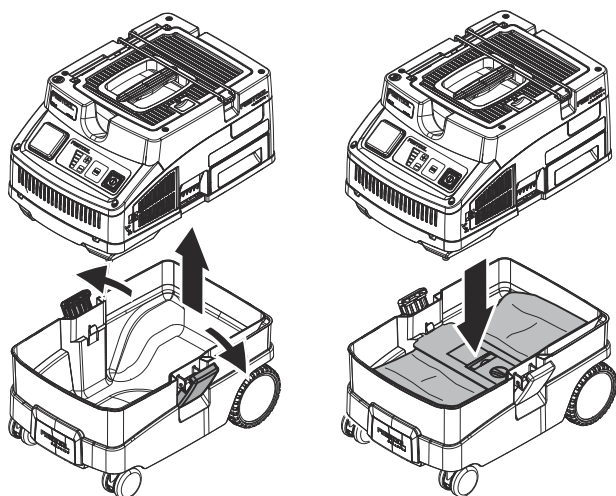
Peligro de accidente

- Observar los datos indicados en la placa de tipo.
- Tener en cuenta las particularidades de cada país.

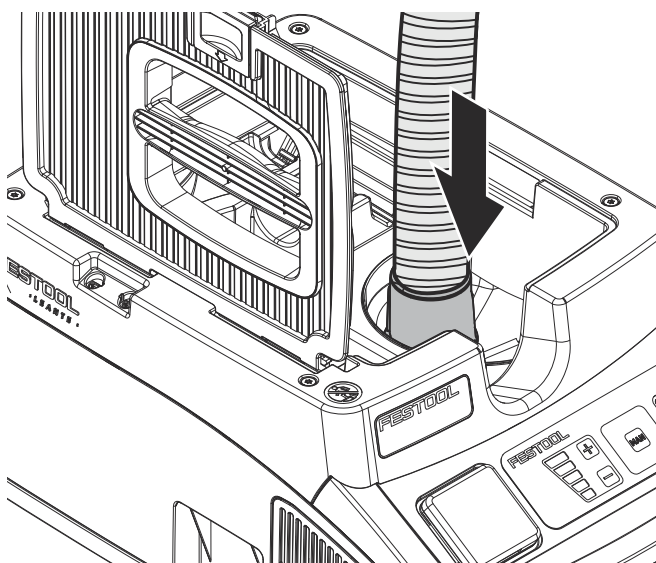
7.1 Primera puesta en servicio

- Colocar la bolsa filtrante [2].
- Conectar el tubo flexible de aspiración [3].

2



3



7.2 Alargador

Si fuera necesario utilizar un alargador, éste deberá estar provisto de una sección transversal suficiente como para evitar una pérdida excesiva de voltaje o que se produzca un sobrecalentamiento. Una pérdida excesiva de voltaje

reduce el rendimiento y puede causar el fallo del motor. La tabla que aparece a continuación indica el diámetro correcto del cable en función de la longitud del cable de ésta maquina.

Longitud total del cable alargador (pie)	25	50	100	150
Dimensiones del cable (AWG)	14	12	10	8

Use sólo los alargadores U.L. y CSA que figuran en la relación.

No utilice nunca dos alargadores juntos. Se recomienda usar un solo cable largo.

- ⓘ Cuanto menor sea el número AWG, más fuerte será el cable.

7.3 Conectar el sistema móvil de aspiración



ADVERTENCIA

Peligro de lesiones por herramientas en funcionamiento sin control

- Antes de conectarlo, asegurarse de que la herramienta conectada esté apagada.



ADVERTENCIA

Peligro de lesiones por descarga eléctrica

- Conectar el enchufe a un enchufe con protección de puesta a tierra.
- No meter las manos en el enchufe del sistema móvil de aspiración.

- ⓘ Si el sistema móvil de aspiración está conectado con el enchufe, el enchufe de la máquina conduce electricidad continuamente al sistema móvil de aspiración.

Conectar el sistema móvil de aspiración con el enchufe

El sistema móvil de aspiración está desconectado.

- Conectar el cable de red con el enchufe. El enchufe de la máquina [1-1] conduce electricidad.

Poner el sistema móvil de aspiración en el modo de espera

- Pulsar el interruptor de conexión y desconexión [1-10].

El enchufe de la máquina [1-1] conduce electricidad.

- ⓘ El LED verde [1-12] indica el modo de espera.

Poner en marcha el sistema móvil de aspiración automáticamente


El sistema móvil de aspiración está en el modo de espera.

- Para poner en marcha automáticamente el sistema móvil de aspiración: Conectar la herramienta conectada.

Poner en marcha el sistema móvil de aspiración de forma manual

El sistema móvil de aspiración está en el modo de espera.

- Pulsar la tecla MAN [1-11].

 Desenchufar el sistema móvil de aspiración en caso de no utilizarse o antes de realizar cualquier trabajo de mantenimiento y limpieza.

7.4 Conexión de la herramienta eléctrica



ADVERTENCIA

Peligro de lesiones

- Observar el consumo nominal máximo en el enchufe de la máquina (véase el capítulo Datos técnicos).
- Desconectar la herramienta eléctrica.

Conectar la herramienta eléctrica conectada a la red eléctrica con el sistema móvil de aspiración

- Conectar la herramienta eléctrica al enchufe de la máquina [1-1].

La herramienta eléctrica está conectada con el sistema móvil de aspiración mediante un cable de red.

8 Ajustes

8.1 Regulación de la capacidad de aspiración

- Pulsar las teclas Más o Menos [1-12] durante la aspiración.

8.2 Protector contra sobretemperatura

Para proteger el sistema móvil de aspiración frente a un sobrecalentamiento, el protector contra sobretemperatura desconecta la herramienta antes de alcanzar la temperatura crítica. El LED inferior [1-12] muestra una avería.

El LED se ilumina en rojo **Sobretemperatura**

- Desconectar el sistema móvil de aspiración y dejar que se enfríe.
- Volver a conectar el sistema móvil de aspiración después de unos 5 minutos.

9 Trabajo

9.1 Aspiración de sustancias secas



Aspiración de sustancias secas

Utilizar siempre una bolsa filtrante.

9.2 Aspiración de materiales húmedos/líquidos



Retirar la bolsa filtrante.

Utilizar filtros húmedos especiales.

Cuando se alcanza el nivel de llenado máximo, la aspiración se interrumpe automáticamente.

El LED inferior [1-12] se ilumina en rojo.

- Desconectar el sistema móvil de aspiración [1-10].
- Abrir los enganches de sujeción y retirar la parte superior de la herramienta [1-7].
- Vaciar el depósito para suciedad [1-9].

Después de aspirar en mojado, dejar secar el filtro principal.

Secar el sistema móvil de aspiración antes de aspirar el polvo seco.



PRECAUCIÓN

Polvos perjudiciales para la salud

Daños en las vías respiratorias

- Después de aspirar en mojado, retirar el filtro húmedo y sustituirlo por el filtro principal para sustancias secas.



PRECAUCIÓN

Salida de espuma o líquidos

- Desconectar inmediatamente la herramienta y vaciarla.

9.3 Salida del escape



PRECAUCIÓN

Polvo perjudicial para la salud

Daños en las vías respiratorias

- ¡No quitar el polvo soplando!

La salida del escape ofrece la posibilidad de derivar el aire de salida por medio de un tubo flexible de aspiración hacia el exterior del edificio.

- Abrir la rejilla de la abertura de soplado [1-8].
- Introducir el tubo flexible de aspiración en la abertura de soplado [1-8].

9.4 Cambio de la bolsa filtrante sin polvo

- Abra los enganches de sujeción y retire la parte superior del aparato [2].

- ▶ Tirar de la lengüeta en la bolsa filtrante hasta que la apertura de la bolsa esté totalmente cerrada.

La bolsa filtrante ahora está cerrada con seguridad y se puede retirar.

- ▶ Colocar la parte superior de la herramienta y cerrar los enganches de sujeción.

9.5 Sustitución del elemento de filtro [6]

- ▶ Extraer el cajón de filtro [1-6] utilizado.
- ▶ Desechar el cajón de filtro usado teniendo en cuenta las disposiciones legales aplicables.
- ▶ Introducir el nuevo cajón de filtro [1-6].

i Los números de pedido de los accesorios, filtros y material de consumo figuran en el catálogo Festool o en la dirección de internet www.festool.com.

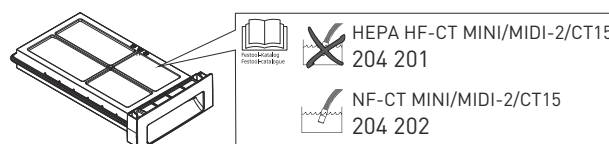
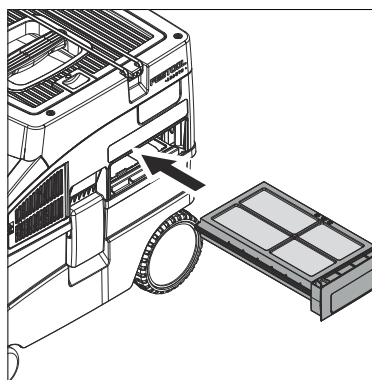
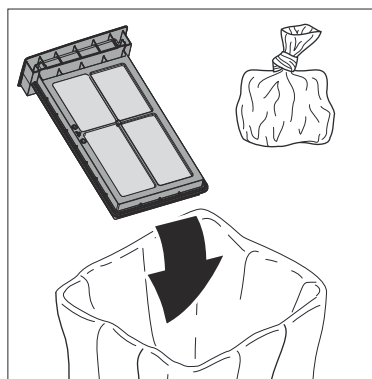
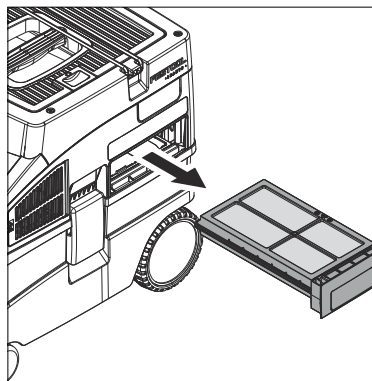
- **Utilizar únicamente material de consumo y accesorios Festool originales.** Solo los accesorios probados y autorizados por Festool son seguros y están perfectamente adaptados a la herramienta y a la aplicación.

AVISO

Daños en el motor

- ▶ El motor puede resultar dañado si se aspira sin tener un filtro principal montado o si este está dañado.

6

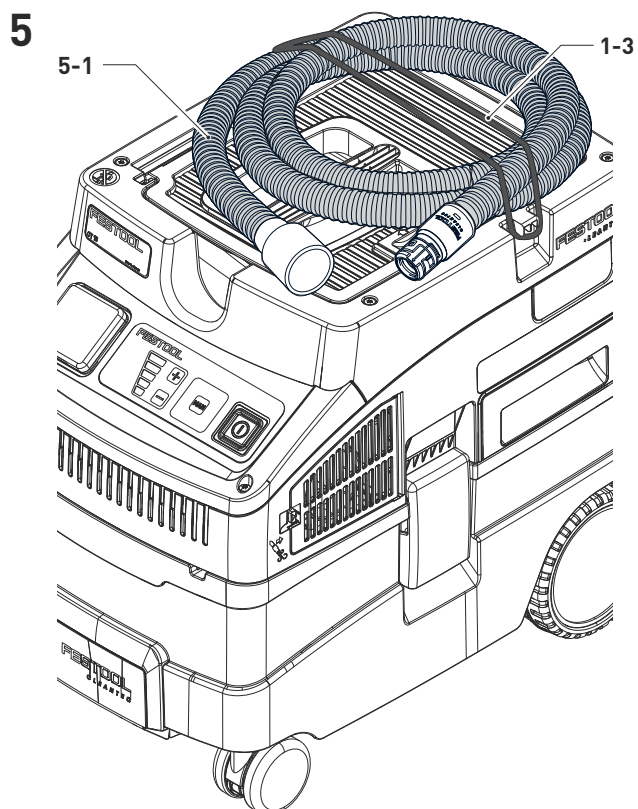
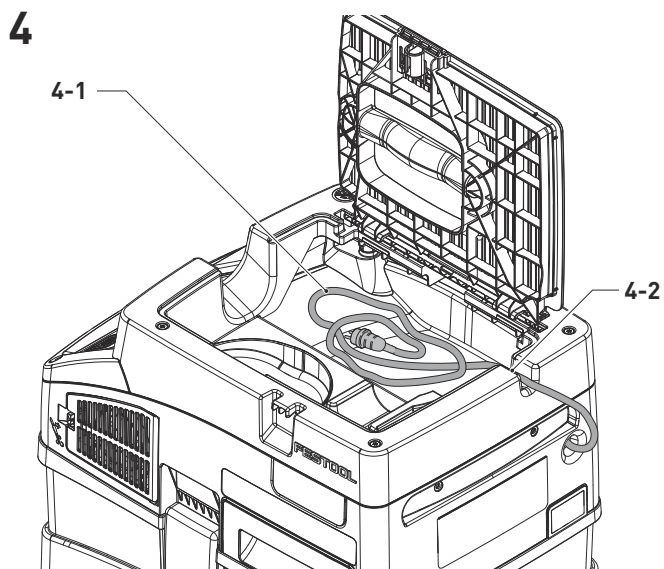


9.6 Al finalizar el trabajo

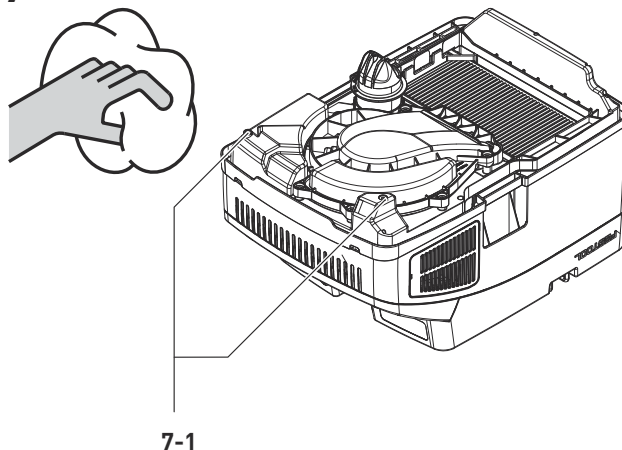
- ▶ Desconectar el sistema de aspiración móvil y extraer el enchufe.
- ▶ Limpiar el sistema móvil de aspiración aspirándolo y limpiándolo a fondo por dentro y por fuera.
- ▶ Vaciar el depósito para suciedad.
- ▶ Enrollar el cable de conexión a la red eléctrica.
- ▶ Introducir el cable de alimentación [4-1] en el compartimento con cierre. Pasar el cable de red por la entalladura [4-2].
- ▶ Desprender el tubo flexible de aspiración [5-1] y colocarlo en su fijación [1-3] en el sistema móvil de aspiración.

- ▶ Limpiar con regularidad los sensores del nivel de llenado [7-1] y comprobar si están dañados.
- ▶ Guardar el sistema móvil de aspiración en un lugar seco y protegido contra un uso no autorizado.

i La tapa del compartimento también sirve para depositar herramientas.



7



10 Mantenimiento y cuidado



ADVERTENCIA

Cualquier trabajo de mantenimiento o reparación que requiera abrir el motor o la carcasa del engranaje deberá ser realizado únicamente por un Centro de Atención al Cliente (nombre proporcionado por su concesionario).

- ▶ Los trabajos de mantenimiento o reparación realizados por una persona no autorizada podrían provocar la conexión incorrecta de los conductores de alimentación u otros componentes, lo que a su vez podría provocar accidentes con consecuencias graves.



ADVERTENCIA

Para prevenir los accidentes, antes de realizar cualquier trabajo de mantenimiento o reparación en la máquina retire siempre el enchufe de la toma de corriente.

- ▶ No utilice aire a presión para limpiar las herramientas eléctricas. No intente limpiar las partes internas de la máquina de este modo, ya que podría permitir la entrada de objetos extraños a través de las aperturas de la carcasa de la máquina.

El fabricante o una persona capacitada debe realizar un control técnico del polvo al menos una vez al año con el objeto de comprobar, p. ej., posibles daños del filtro, la estanqueidad de la herramienta y el correcto funcionamiento de los dispositivos de control.

Al efectuar los trabajos de mantenimiento y reparación se deben eliminar todas las piezas sucias que no se puedan limpiar de forma satisfactoria. Estas piezas deben eliminarse en bolsas estancas en cumplimiento con las disposi-

ciones vigentes para la eliminación de este tipo de residuos.



El **Servicio de atención al cliente y reparaciones** solo está disponible por parte del fabricante o de los talleres de reparación: encuentre la dirección más próxima a usted en: www.festoolusa.com/service



Utilice únicamente piezas de recambio Festool originales. Referencia en: www.festoolusa.com/service

11 Medio ambiente

No deseche la herramienta junto con los residuos domésticos. Recicle las herramientas, accesorios y embalajes de forma respetuosa con el medio ambiente. Respete la normativa vigente del país.