

Instruction manual

Page 6

IMPORTANT: Read all instructions before using.

Guide d'utilisation

Page 17

IMPORTANT: Lire toutes les instructions avant de démarrer les travaux.

Manual de instrucciones

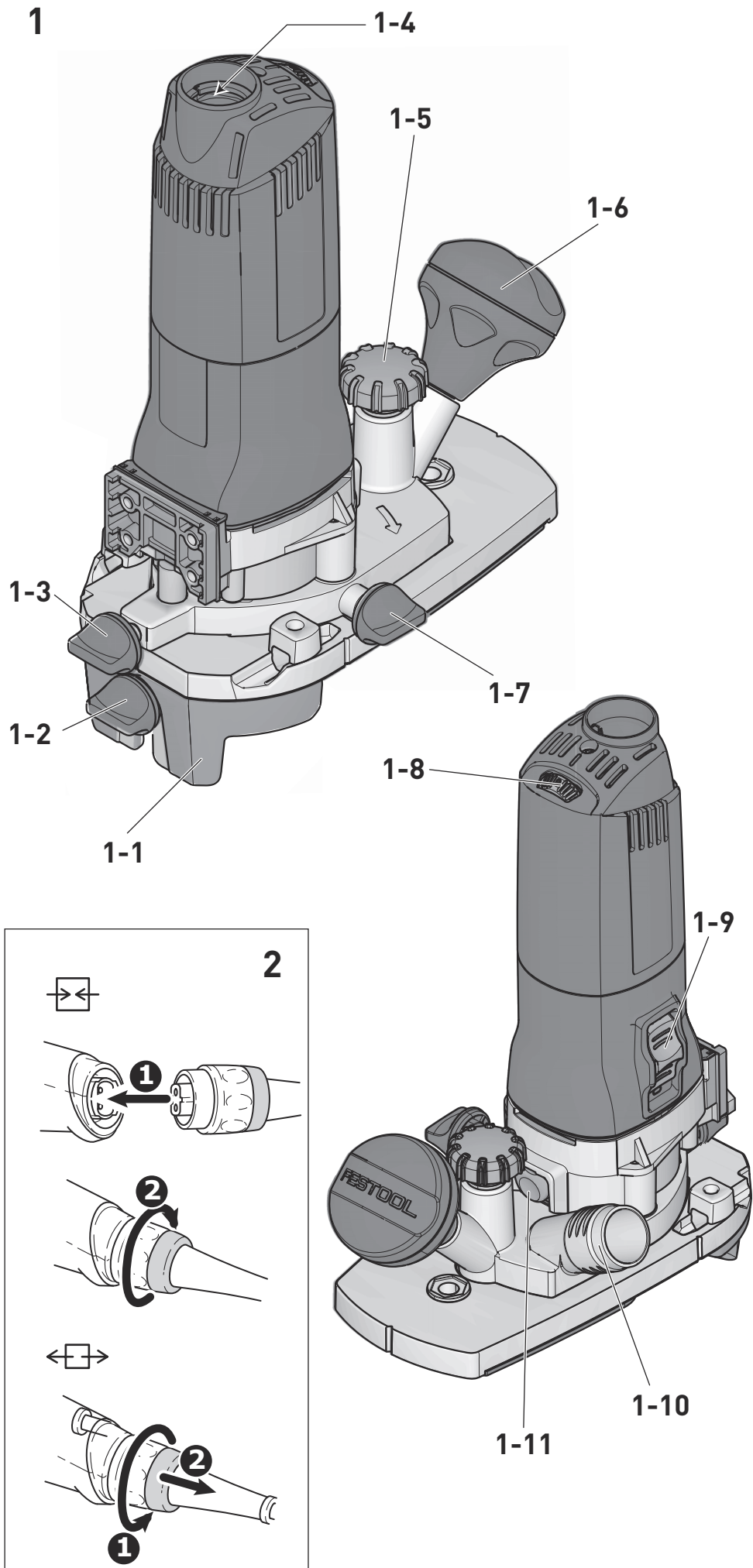
Página 28

IMPORTANTE: Lea todas las instrucciones antes de usar.

**Instruction manual
Guide d'utilisation
Manual de instrucciones**

**MFK 700 EQ
MFK 700 EQ/B**








Contents



About this manual.....	6
Symbols.....	6
Safety instructions	7
Intended use	9
Technical data	9
Functional description	9
Power supply and start-up	10
Settings	10
Working with the machine	12
Service and maintenance	14
Accessories	14
Environment.....	15
Warranty.....	15

About this manual






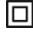
Save these instructions

It is important for you to read and understand this manual. The information it contains relates to protecting **your safety** and **preventing problems**. The symbols below are used to help you recognize this information.

	DANGER	Description of imminent hazard and failure to avoid hazard will result in death.
	WARNING	Description of hazard and possible resulting injuries or death.
	CAUTION	Description of hazard and possible resulting injuries.

	NOTICE	Statement including nature of hazard and possible result.
	HINT	Indicates information, notes, or tips for improving your success using the tool.

Symbols

V	volts	rpm	revolutions per minute
A	amperes	min ⁻¹	
Hz	hertz	"	inch
~	alternating current	lb.	pound
a.c.			diameter
	direct current		hint, tipp
d.c.			Warning of general danger
n ₀	no load speed		Risk of electric shock
	Class II construction		



Read the Operating Instructions/Notes!



Wear ear protection.



Wear a dust mask.



Wear protective goggles.



Wear protective gloves.



Disconnect from the power supply!

Safety instructions

General safety instructions



WARNING! Read all safety warnings and all instructions. Failure to follow the warnings and instructions may result in electric shock, fire and/or serious injury.

Save all warnings and instructions for future reference.

The term “power tool” in the warnings refers to your mains-operated (corded) power tool or battery-operated (cordless) power tool.

1 WORK AREA SAFETY

- Keep work area clean and well lit.** Cluttered and dark areas invite accidents.
- Do not operate power tools in explosive atmospheres, such as in the presence of flammable liquids, gases or dust.** Power tools create sparks which may ignite the dust or fumes.
- Keep children and bystanders away while operating a power tool.** Distractions can cause you to lose control.

2 ELECTRICAL SAFETY

- Power tool plugs must match the outlet. Never modify the plug in any way. Do not use any adapter plugs with earthed (grounded) power tools.** Unmodified plugs and matching outlets will reduce risk of electric shock.
- Avoid body contact with earthed or grounded surfaces, such as pipes, radiators, ranges and refrigerators.** There is an increased risk of electric shock if your body is earthed or grounded.
- Do not expose power tools to rain or wet conditions.** Water entering a power tool will increase the risk of electric shock.
- Do not abuse the cord. Never use the cord for carrying, pulling or unplugging the power tool. Keep cord away from heat, oil, sharp edges or moving parts.** Damaged or entangled cords increase the risk of electric shock.
- When operating a power tool outdoors, use an**

extension cord suitable for outdoor use. Use of a cord suitable for outdoor use reduces the risk of electric shock.

- If operating a power tool in a damp location is unavoidable, use a residual current device (RCD) protected supply.** Use of an RCD reduces the risk of electric shock.

3 PERSONAL SAFETY

- Stay alert, watch what you are doing and use common sense when operating a power tool. Do not use a power tool while you are tired or under the influence of drugs, alcohol or medication.** A moment of inattention while operating power tools may result in serious personal injury.
- Use personal protective equipment. Always wear eye protection.** Protective equipment such as dust mask, non skid safety shoes, hard hat, or hearing protection used for appropriate conditions will reduce personal injuries.
- Prevent unintentional starting. Ensure the switch is in the off-position before connecting to power source and/or battery pack, picking up or carrying the tool.** Carrying power tools with your finger on the switch or energising power tools that have the switch on invites accidents.
- Remove any adjusting key or wrench before turning the power tool on.** A wrench or a key left attached to a rotating part of the power tool may result in personal injury.
- Do not overreach. Keep proper footing and balance at all times.** This enables better control of the power tool in unexpected situations.
- Dress properly. Do not wear loose clothing or jewellery. Keep your hair, clothing and gloves away from moving parts.** Loose clothes, jewellery or long hair can be caught in moving parts.
- If devices are provided for the connection of dust extraction and collection facilities, ensure these are connected and properly used.** Use of dust collection can reduce dust-related hazards.
- Do not let familiarity gained from frequent use**

of tools allow you to become complacent and ignore, tool safety principles. A careless action can cause severe injury within a fraction of a second.

4 POWER TOOL USE AND CARE

- a. **Do not force the power tool. Use the correct power tool for your application.** The correct power tool will do the job better and safer at the rate for which it was designed.
- b. **Do not use the power tool if the switch does not turn it on and off.** Any power tool that cannot be controlled with the switch is dangerous and must be repaired.
- c. **Disconnect the plug from the power source and/or battery pack from the power tool before making any adjustments, changing accessories, or storing power tools.** Such preventive safety measures reduce the risk of starting the power tool accidentally.
- d. **Store idle power tools out of the reach of children and do not allow persons unfamiliar with the power tool or these instructions to operate the power tool.** Power tools are dangerous in the hands of untrained users.
- e. **Maintain power tools. Check for misalignment or binding of moving parts, breakage of parts and any other condition that may affect the power tool's operation. If damaged, have the power tool repaired before use.** Many accidents are caused by poorly maintained power tools.
- f. **Keep cutting tools sharp and clean.** Properly maintained cutting tools with sharp cutting edges are less likely to bind and are easier to control.
- g. **Use the power tool, accessories and tool bits etc. in accordance with these instructions taking into account the working conditions and the work to be performed.** Use of the power tool for operations different from those intended could result in a hazardous situation.
- h. **Keep handles dry, clean and free from oil and grease.** Slippery handles do not allow for safe handling and control of the tool in unexpected situations.

5 SERVICE

- a. **Have your power tool serviced by a qualified repair person using only identical replacement parts.** This will ensure that the safety of the power tool is maintained.

Machine-related safety instructions

- **Hold power tool by insulated gripping surfaces, because the cutter may contact its own cord.** Cutting a "live" wire may make exposed metal

parts of the power tool "live" and could give the operator an electric shock.

- **Use clamps or another practical way to secure and support the workpiece to a stable platform.** Holding the work by your hand or against the body leaves it unstable and may lead to loss of control.
- Check that the cutter is firmly fitted and runs freely.
- The clamping collet and union nut must show no signs of damage.
- **The tools must be rated for at least the speed marked on the power tool.** Tools running over rated speed can fly apart and cause injury.
- **Only cutters provided by Festool for this purpose may be mounted on the power tool.** The use of other cutters is prohibited due to the increased risk of injury.
- **Never use dull or damaged mortising bits.** Dull or damaged mortising bits can cause the tool to lurch sideways unexpectedly and lead to a loss of control of the power tool.
- The clamping collet should only be used to clamp tools with a shank diameter appropriate for the collet.
- Only guide the machine against the workpiece when it is switched on.
- Do not cut metal objects, nails or screws.
- **Wait until the power tool stops completely until placing it down.** The tool can become entangled and lead to a loss of control of the power tool.
- **Do not allow hands to reach into the cutting area and come into contact with the cutter.** Use your second hand to hold the additional hand grip or the motor housing.



- **Wear suitable protection:** such as ear protection, safety goggles, a dust mask for work which generates dust, and protective gloves when working with raw materials and when changing tools.

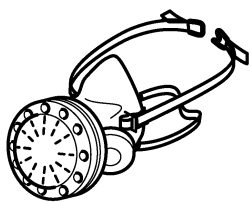
Health hazard by dust



WARNING! Various dust created by power sanding, sawing, grinding, drilling and other construction activities contains chemicals known (to the State of California) to cause cancer, birth defects or other reproductive harm. Some examples of these chemicals are:

- lead from lead-based paints,

- crystalline silica from bricks and cement and other masonry products, and
- arsenic and chromium from chemically treated lumber.



The risk from these exposures varies, depending on how often you do this type of work. To reduce your exposure to these chemicals: work in a well ventilated area, and work with ap-

proved safety equipment, such as dust masks that are specially designed to filter out microscopic particles. Wash hands after handling.



WARNING

TO REDUCE THE RISK OF INJURY, USER MUST READ INSTRUCTION MANUAL.

Intended use

The edge router with router table for edging must be used for its intended purpose, i.e. cutting edges made from wood, plastic and similar materials.



The user is liable for improper or non-intended use.

Technical data

Edge router	MFK 700 EQ
Power	720 W
Speed (no load) n_0	10000-26000 rpm
Tool holder	8 mm (optional : 6 mm, 1/4")
Max. routing diameter	26 mm/ 1"
Weight (excluding cable)	1.9 kg
Safety class	/II

Functional description

The pictures for the functional description are on a fold-out page at the beginning of the instruction manual. When reading of the manual you can fold out this page for having always an overview of the machine.

- [1-1]** Cutter stop
- [1-2]** Locking for ball bearing brake
- [1-3]** +Locking for routing depth
- [1-7]**
- [1-4]** Plug-it connection
- [1-5]** Routing depth setting
- [1-6]** Handle, locking for routing depth
- [1-8]** Speed control
- [1-9]** On/Off switch
- [1-10]** Extractor connector
- [1-11]** Spindle lock

Accessories shown or described are sometimes not included in the scope of delivery.

Power supply and start-up



WARNING

Unauthorised voltage or frequency!

Risk of accident

- ▶ The mains voltage and the frequency of the power source must correspond with the specifications on the machine's name plate.
- ▶ In North America, only Festool machines with the voltage specifications 120 V/60 Hz may be used.



Always switch the machine off before connecting or disconnecting the mains power cable!

The network voltage must conform to the voltage indicated on the rating plate. A 16 A safety fuse (for 120 V) or a corresponding protective circuit-breaker is required.

Connecting and detaching the mains power cable - see Fig. [2].

Extension Cord

If an extension cord is required, it must have sufficient cross-section to prevent an excessive drop in

voltage or overheating. An excessive drop in voltage reduces the output and can lead to failure of the motor. The table below shows you the correct cord diameter as a function of the cord length for this tool.

Total Extension Cord Length (feet)	25	50	100	150
Cable size (AWG)	18	16	16	14

Use only U.L. and CSA listed extension cords.

Never use two extension cords together. Instead, use one long one.

- ① The lower the AWG number, the stronger the cord.

Switch on/off



WARNING! Keep the machine steady during switching and during use by holding the machine with two hands, one on the motor housing and one on the gear head or additional handle [1-6].

The switch [1-9] is an on/off switch (I = ON, 0 = OFF).

Settings



WARNING

Risk of injury, electric shock

- ▶ Always pull the mains plug out of the socket before performing any type of work on the machine!

Electronics

The machine features full-wave electronics with the following features:

Smooth start-up

The electronically controlled smooth start-up ensures that the machine starts up jolt-free.

Speed adjustment

You can regulate the speed steplessly between 10000 and 26000 rpm using the adjusting wheel [1-

8]. This enables you to optimise the cutting speed to suit the material.

Constant speed

The motor speed remains constant through electronic control to ensure a uniform cutting speed even when under load.

Temperature control

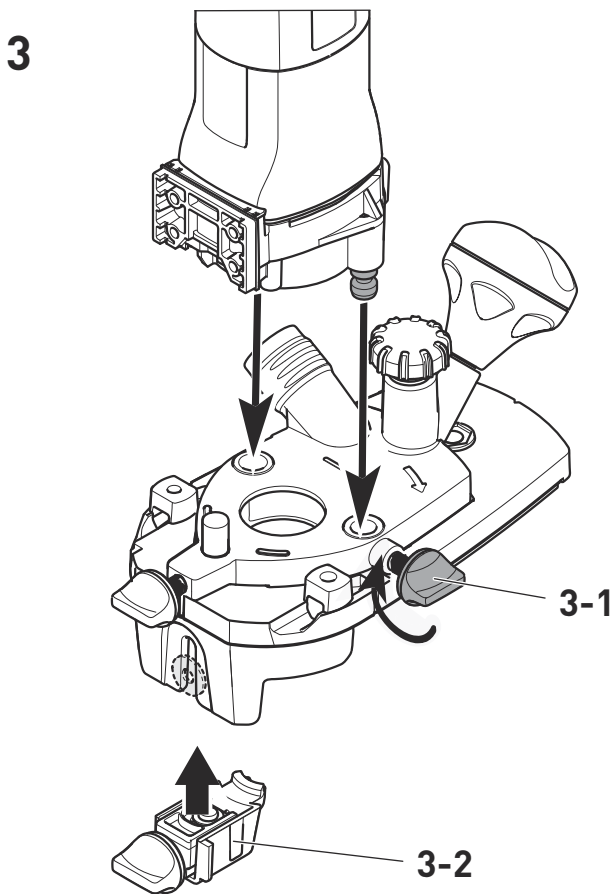
To prevent overheating, the safety electronics switches the machine off when it reaches a critical motor temperature. Let the machine cool down for approx. 3-5 minutes before using it again. The ma-

chine requires less time to cool down if it is running, i.e. in neutral position.

Replacing router table

The router table for edging is optimally designed for cutting protruding edging thanks to the large contact surface.

- ▶ Slide router table onto mounting bolts of machine [3].
- ▶ If nec., remove ball bearing brake [3-2].
- ▶ Secure locking for router table [3-1].
- ▶ If nec., insert ball bearing brake [3-2].



Removal in reverse order.

Changing tools



CAUTION

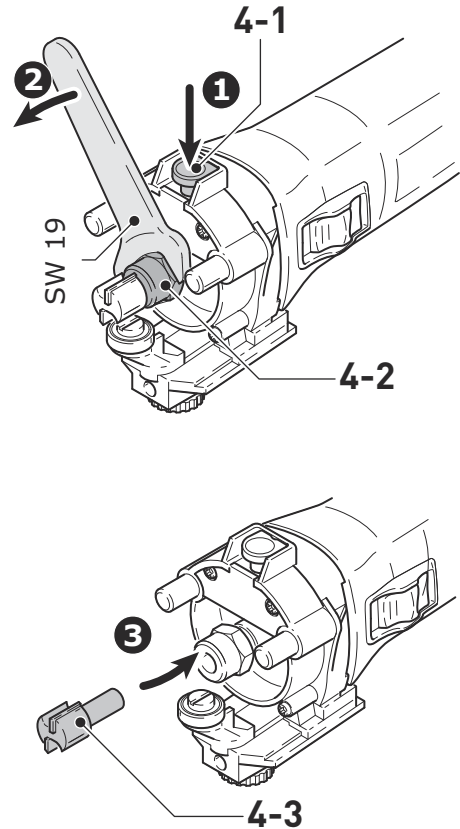
Hot and sharp tools

Risk of injury

- ▶ Wear protective gloves.

Before replacing the cutter remove the router table - see chapter Replacing router table.

4



Removing the tool

- ▶ Push spindle lock [4-1].
- ▶ Slacken union nut [4-2] using open ended spanner (SW 19) until the tool can be removed.
- ▶ Release spindle lock [4-1].

Inserting the tool

- ▶ Position the cutter [4-3] as far as possible, at least as far as the marking \surd at the cutter shaft, into the open clamping collet.
- ▶ Push spindle lock [4-1].
- ▶ Tighten union nut [4-2] using open ended spanner (SW 19).
- ▶ Release spindle lock [4-1].

Replacing clamping collet

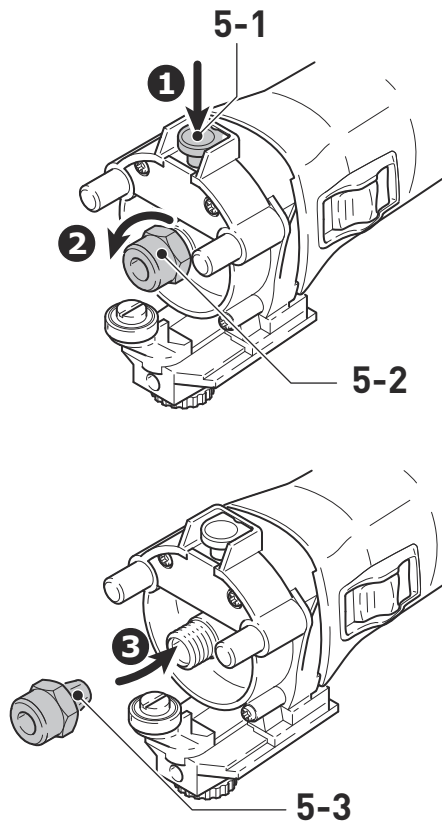
Only suitable tools can be used with the supplied collets. Collets with 8 mm, 6 mm and 1/4" (6.35 mm) can be used.

- ▶ Push spindle lock [5-1].
- ▶ Unscrew union nut [5-2] fully.
- ▶ Release spindle lock [5-1].
- ▶ Remove union nut together with the clamping collet [5-3] from the spindle. **Never separate**

the union nut and clamping collet! They form one unit.

- ▶ Insert another clamping collet with union nut into the spindle.
- ▶ Gently turn union nut. **Do not tighten union nut if there is no cutter inserted!**

5



Setting the Mortise Depth

- ▶ Slacken locking mechanisms for routing depth [1-3] + [1-6].
- ▶ Adjust desired routing depth at the routing depth setting [1-7].
- ▶ Secure locking mechanisms for routing depth [1-3] + [1-6].

Dust extraction



WARNING

Dust hazard

- ▶ Dust can be hazardous to health. Always work with a dust extractor.
- ▶ Always read applicable national regulations before extracting hazardous dust.

At the extractor connector [1-10], a Festool mobile dust extractor with an extraction hose diameter of 27 mm can be connected.

Working with the machine

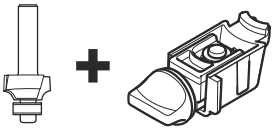


Please observe all mentioned safety informations and the following rules when working:

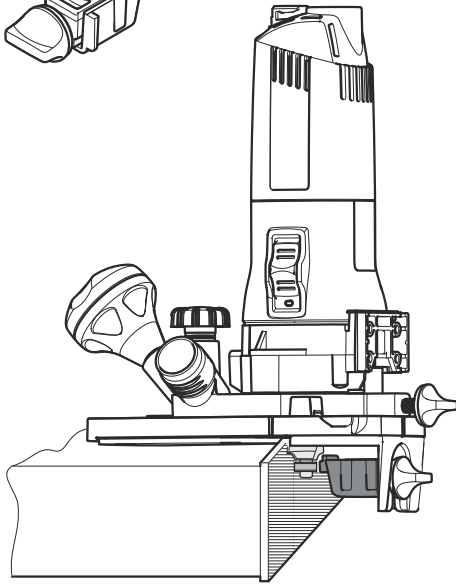
- Always secure the workpiece in such a manner that it cannot move while being processed.
- Hold the machine with two hands, one on the motor housing and one on the gear head or additional handle [1-6] to ensure safe guidance.
- Adapt the feed rate to the cutter diameter and material. Work with a constant feed rate

Guide types


Routing with ball bearing guide [6]



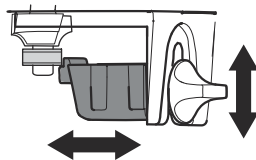
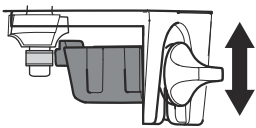
6



When routing with cutters with a ball bearing guide the ball bearing brake must be inserted in the edge router. The edge router is guided so that the ball bearing guide of the cutter rolls between the brake and edging.

 Adapt height of the brake to the height of the ball bearing guide - 2 stages [7].

7



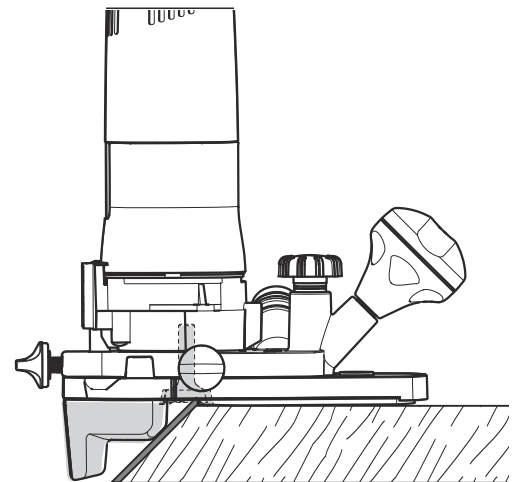
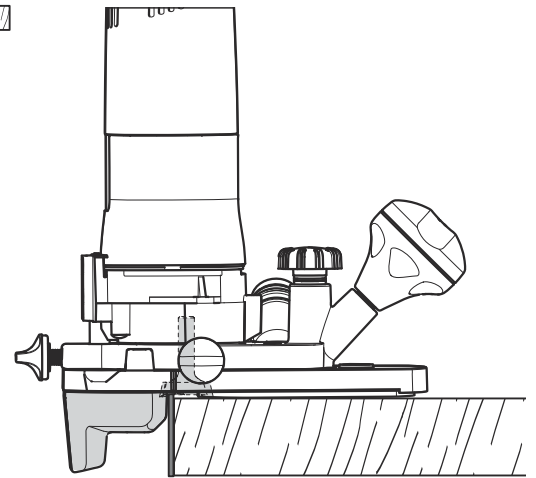
Routing with plane cutter [8]

The ball bearing brake is not used when routing with plane cutters. Guide edge router so that the

stop of the router table is at the edging - also possible at diagonal edges.



8



Metal processing



When processing metal, the following measures must be taken for safety reasons:

- Install an upstream residual-current circuit-breaker (FIG, PRCD).
- Connect the machine to a suitable dust extractor.
- Regularly remove dust deposits in the motor housing.



Wear protective goggles.

Service and maintenance



WARNING

Any maintenance or repair work that requires opening of the motor or gear housing should only be carried out by an authorised Customer Service Centre (name supplied by your dealer)!

- ▶ Maintenance or repair work carried out by an unauthorised person can lead to the wrong connection of the power cord or other components, which in turn can lead to accidents with serious consequences.



WARNING

To prevent accidents, always remove the plug from the power supply socket before carrying out any maintenance or repair work on the tool!

- ▶ Do not use compressed air to clean the electrical tool! Do not try to clean parts inside the tool in this way, as you could let foreign objects in through the openings of the tool housing.



CAUTION

Certain cleaning agents and solvents are harmful to plastic parts.

- ▶ Some of these include, but are not limited to: Gasoline, Acetone, Methyl Ethyl Ketone (MEK), Carbonyl Chloride, cleaning solutions containing Chlorine, Ammonia, and household cleaners containing Ammonia.



Customer service and repair only through manufacturer or service workshops: Please find the nearest address at: www.festoolusa.com/service



Use only original Festool spare parts! Order No. at: www.festoolusa.com/service

Observe the following instructions:

- ▶ To ensure constant air circulation, always keep the cooling air openings in the housing clean and free of blockages.

The machine is equipped with special carbon brushes. If they are worn, the power is interrupted automatically and the machine comes to a standstill.

Accessories

Use only original Festool accessories and Festool consumable material intended for this machine because these components are designed specifically for the machine. Using accessories and consumable material from other suppliers will most likely affect the quality of your working results and limit any warranty claims. Machine wear or your own personal workload may increase depending on the application. Protect yourself and your machine, and preserve

your warranty claims by always using original Festool accessories and Festool consumable material!

The order numbers of the accessories and tools can be found in the Festool catalogue or on the Internet under "www.festoolusa.com".

Systainer

Many Festool products are shipped in a unique system container, called "Systainer". This provides protection and storage for the tool and accessories. The Systainers are stackable and can be inter-

locked together. They also can be interlocked atop Festool CT dust extractors.

To open the Systainer


 Turn the T-loc [9-1] to this position.

To lock the Systainer

 Turn the T-loc [9-1] to this position.

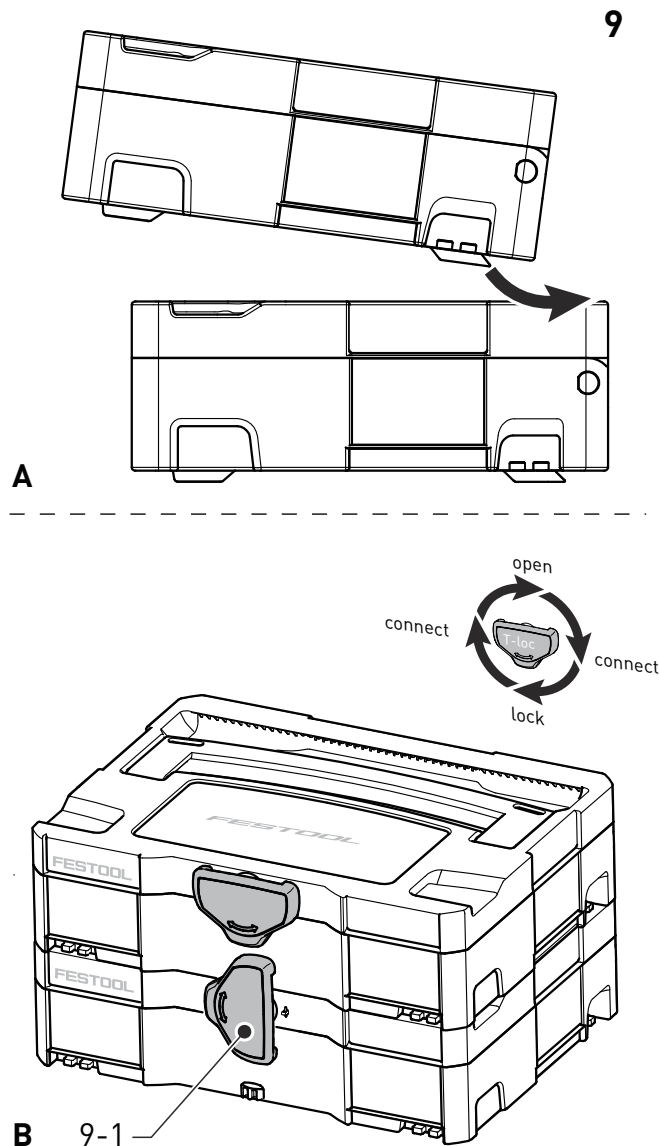
To connect two Systainers

Place one Systainer on the top of the other (Fig. [9A]).

 Turn the T-loc [9-1] to one of this positions (Fig. [9B]).

The Systainers are connected and locked.

① A new generation Systainer is connectable on top of a previous generation Systainer by the four latches of the previous Systainer.



Environment

Do not throw the power tool in your household waste! Dispose of machines, accessories and

packaging at an environmentally responsible recycling centre. Observe the valid national regulations.

Warranty

Garantie 1 + 2

Festool offers a 3 year limited warranty, one of the strongest in the industry. This warranty is valid on the pre-condition that the tool is used and operated in compliance with the Festool operating instructions. Festool warrants that the specified tool will be free from defects in materials and workmanship for a term of 3 years from the date of purchase.

Conditions of 1 + 2 warranty

All customers receive a free extended limited warranty (1 year + 2 years = 3 Years) on new Festool

power tools purchased from an authorized retailer. Festool is responsible for all shipping costs during the first year of the warranty. During the second and third year of the warranty the customer is responsible for shipping the tool to Festool. Festool will pay for return shipping to the customer using UPS Ground Service. All warranty service is valid 3 years from the date of purchase on your receipt or invoice. Proof of purchase may be required.

Excluded from the coverage under this warranty are: normal wear and tear, damages caused by misuse, abuse, or neglect; damage caused by any-

thing other than defects in material and workmanship. This warranty does not apply to accessory items such as circular saw blades, drill bits, router bits, jigsaw blades, sanding belts, and grinding wheels. Operating a tool at a voltage or frequency different from the tool's rating will void the warranty. This includes the usage of the tool in combination with a transformer. Festool does not condone nor support the use of any non-Festool engineered, designed, and manufactured accessories or consumables with Festool products. Use of any non-Festool products may affect performance or void the warranty. Festool is not responsible for any damages or losses incurred and user assumes all risk and responsibility with non-Festool derived products. Also excluded are "wearing parts," such as carbon brushes, lamellas of air tools, rubber collars and seals, sanding discs and pads, and Festool gear (hats and shirts).

The obligations of Festool in its sole discretion under this warranty shall be limited to repair or replacement or a refund of the purchase price for any Festool portable power tool that is found to have a defect in materials or workmanship during the warranty period. FESTOOL SHALL NOT BE LIABLE FOR ANY CONSEQUENTIAL, INCIDENTAL OR SPECIAL DAMAGES REGARDLESS OF THE THEORY OF LAW ON WHICH THE CLAIM IS BASED. ALL WARRANTIES IMPLIED BY STATE LAW, INCLUDING THE IMPLIED WARRANTIES OR MERCHANTABILITY AND FITNESS FOR A PARTICULAR PURPOSE ARE HEREBY LIMITED TO THE DURATION OF THREE YEARS.

Some states in the U.S. and some Canadian provinces do not allow the limitations on how long an implied warranty lasts, so the above limitation may not apply to you. This warranty gives you specific legal rights, and you may also have other rights that vary from state to state in the U.S. and from province to province in Canada.

With the exception of any warranties implied by state or province law as limited above, the foregoing express limited warranty is exclusive and in lieu of all other warranties, guarantees, agreements, and similar obligations of Festool. Festool makes no other warranty, express or implied, for Festool portable power tools. This warranty policy is only valid for tools that are purchased in the US and Canada. Warranty policies of other countries may vary when obtaining warranty service outside the US and Canada. Some countries do exclude warranty for products bought outside their territory. Festool reserves the right to reject the repair of any tool that is not part of the US/Canada product line. No agent, representative, distributor, dealer, or employee of Festool has the authority to increase or otherwise change the obligations or limitations of this warranty.



Sommaire




À propos de ce manuel	17
Symboles	17
Consignes de sécurité.....	18
Utilisation en conformité avec les instructions	20
Caractéristiques techniques.....	20
Description fonctionnelle.....	21
Raccordement électrique et mise en route	21
Réglages.....	22
Travail avec la machine.....	24
Entretien et maintenance	25
Accessoires	25
Environnement.....	26
Garantie.....	26

À propos de ce manuel

Conservez ces instructions






Il est important pour vous de lire et de comprendre ce manuel. Les informations qu'il contient, se rapporte à la protection **de votre sécurité** et **de prévention des problèmes**. Les symboles suivants sont utilisés pour vous aider à reconnaître cette information.






 DANGER	Description du risque imminent et l'incapacité à éviter tout risque qui peut entraîner la mort.
 AVERTISSEMENT	Description des dangers possibles et des blessures qui en résultent ou la mort.

 ATTENTION	Description des dangers et des éventuelles blessures qui en résultent.
 AVIS	Déclaration incluant le type de danger et conséquences possibles.
 CONSEIL	Indique des informations, des notes ou des conseils pour améliorer votre succès en utilisant l'outil.

Symboles


V	Volt		courant continu
A	Ampère	d.c.	
Hz	Hertz	n_0	Vitesse de rotation à vide
~	Tension alternative		Classe II conception
a.c.		.../min	tours ou course par minute
		min^{-1}	

- ” pouce
- lb. livre
-  Diamètre
-  Information, astuce
-  Avertissement de danger général
-  Risque d'électrocution
-  Lire les instructions / les remarques !

-  Portez des protège-oreilles!
-  Porter une protection respiratoire !
-  Porter des lunettes de protection !
-  Porter des gants de protection !
-  Débrancher la fiche secteur !

Consignes de sécurité

Consignes de sécurité d'ordre général

 **ATTENTION ! Lire toutes les consignes de sécurité et indications.** Le non-respect des avertissements et instructions indiqués ci-après peut entraîner un choc électrique, un incendie et/ou de graves blessures.

Conserver tous les avertissements et toutes les instructions pour pouvoir s'y reporter ultérieurement.

Le terme " outil " dans les avertissements fait référence à votre outil électrique alimenté par le secteur (avec cordon d'alimentation) ou votre outil fonctionnant sur batterie (sans cordon d'alimentation).

1 PLACE DE TRAVAIL

- a. **Maintenez l'endroit de travail propre et bien éclairé.** Un lieu de travail en désordre ou mal éclairé augmente le risque d'accidents.
- b. **N'utilisez pas l'appareil dans un environnement présentant des risques d'explosion et où se trouvent des liquides, des gaz ou poussières inflammables.** Les outils électroportatifs génèrent des étincelles risquant d'enflammer les poussières ou les vapeurs.
- c. **Tenez les enfants et autres personnes éloignés durant l'utilisation de l'outil électroportatif.** En cas d'inattention vous risquez de perdre le contrôle sur l'appareil.

2 SECURITE RELATIVE AU SYSTEME ELECTRIQUE

- a. **La fiche de secteur de l'outil électroportatif doit être appropriée à la prise de courant. Ne modifiez en aucun cas la fiche. N'utilisez pas de fiches d'adaptateur avec des appareils avec mise à la terre.** Les fiches non modifiées et les prises de courant appropriées réduisent le risque de choc

électrique.

- b. **Evitez le contact physique avec des surfaces mises à la terre tels que tuyaux, radiateurs, fours et réfrigérateurs.** Il y a un risque élevé de choc électrique au cas où votre corps serait relié à la terre.
- c. **N'exposez pas l'outil électroportatif à la pluie ou à l'humidité.** La pénétration d'eau dans un outil électroportatif augmente le risque d'un choc électrique.
- d. **N'utilisez pas le câble à d'autres fins que celles prévues, n'utilisez pas le câble pour porter l'appareil ou pour l'accrocher ou encore pour le débrancher de la prise de courant. Maintenez le câble éloigné des sources de chaleur, des parties grasses, des bords tranchants ou des parties de l'appareil en rotation.** Un câble endommagé ou torsadé augmente le risque d'un choc électrique.
- e. **Au cas où vous utiliseriez l'outil électroportatif à l'extérieur, utilisez une rallonge autorisée homologuée pour les applications extérieures.** L'utilisation d'une rallonge électrique homologuée pour les applications extérieures réduit le risque d'un choc électrique.
- f. **Si l'usage d'un outil dans un emplacement humide est inévitable, utiliser une alimentation protégée par un dispositif à courant différentiel résiduel (RCD).** L'usage d'un RCD réduit le risque de choc électrique.

3 SECURITE DES PERSONNES

- a. **Restez vigilant, surveillez ce que vous faites. Faites preuve de bon en utilisant l'outil électroportatif. N'utilisez pas l'appareil lorsque vous êtes fatigué ou après avoir consommé de l'alcool, des drogues ou avoir pris des médicaments.** Un moment d'inattention lors de l'utilisation de l'appareil peut entraîner de graves blessures sur les

personnes.

- b. **Portez des équipements de protection. Portez toujours des lunettes de protection.** Le fait de porter des équipements de protection personnels tels que masque anti-poussières, chaussures de sécurité antidérapantes, casque de protection ou protection acoustique suivant le travail à effectuer, réduit le risque de blessures.
- c. **Évitez une mise en service par mégarde. Assurez-vous que l'interrupteur est effectivement en position d'arrêt avant de retirer la fiche de la prise de courant.** Le fait de porter l'appareil avec le doigt sur l'interrupteur ou de brancher l'appareil sur la source de courant lorsque l'interrupteur est en position de fonctionnement, peut entraîner des accidents.
- d. **Enlevez tout outil de réglage ou toute clé avant de mettre l'appareil en fonctionnement.** Une clé ou un outil se trouvant sur une partie en rotation peut causer des blessures.
- e. **Ne surestimez pas vos capacités. Veillez à garder toujours une position stable et équilibrée.** Ceci vous permet de mieux contrôler l'appareil dans des situations inattendues.
- f. **Portez des vêtements appropriés. Ne portez pas de vêtements amples, ni de bijoux. Gardez les cheveux et les vêtements à distance des pièces mobiles.** Des vêtements amples, des bijoux ou des cheveux longs peuvent être happés par les pièces en mouvement.
- g. **Si des dispositifs servant à aspirer ou à recueillir les poussières doivent être utilisés, vérifiez que ceux-ci soient effectivement raccordés et qu'ils sont correctement utilisés.** L'utilisation de tels dispositifs réduit les dangers dus aux poussières.
- h. **Ne devenez pas trop sûr de vous, par habitude suite à une utilisation fréquente de l'appareil, de manière à ne pas respecter les principes de sécurité de base de l'appareil.** Une action imprudente peut occasionner de graves blessures en l'espace d'une fraction de seconde.

4 UTILISATION ET EMPLOI SOIGNEUX DE L'OUTIL ELECTROPORATIF

- a. **Ne surchargez pas l'appareil. Utilisez l'outil électroportatif approprié au travail à effectuer.** Avec l'outil électroportatif approprié, vous travaillerez mieux et avec plus de sécurité à la vitesse pour laquelle il est prévu.
- b. **N'utilisez pas un outil électroportatif dont l'interrupteur est défectueux.** Un outil électroportatif qui ne peut plus être mis en ou hors fonctionnement est dangereux et doit être réparé.
- c. **Retirer la fiche de la prise de courant avant d'ef-**

fectuer des réglages sur l'appareil, de changer les accessoires, ou de ranger l'appareil. Cette mesure de précaution empêche une mise en fonctionnement par mégarde.

- d. **Gardez les outils électroportatifs non utilisés hors de portée des enfants. Ne permettez pas l'utilisation de l'appareil à des personnes qui ne se sont pas familiarisées avec celui-ci ou qui n'ont pas lu ces instructions.** Les outils électroportatifs sont dangereux lorsqu'ils sont utilisés par des personnes non initiées.
- e. **Prenez soin des outils électroportatifs. Vérifiez que les parties en mouvement fonctionnent correctement et qu'elles ne soient pas coincées, et contrôlez si des parties sont cassées ou endommagées de telle sorte que le bon fonctionnement de l'appareil s'en trouve entravé. Faites réparer les parties endommagées avant d'utiliser l'appareil.** De nombreux accidents sont dus à des outils électroportatifs mal entretenus.
- f. **Maintenez les outils de coupe aiguisés et propres.** Des outils soigneusement entretenus avec des bords tranchants bien aiguisés se coincent moins souvent et peuvent être guidés plus facilement.
- g. **Utilisez les outils électroportatifs, les accessoires, les outils à monter etc. conformément à ces instructions et aux prescriptions en vigueur pour ce type d'appareil. Tenez compte également des conditions de travail et du travail à effectuer.** L'utilisation des outils électroportatifs à d'autres fins que celles prévues peut entraîner des situations dangereuses.
- h. **Gardez les poignées dans un état sec, propre et exempt d'huile et de graisse.** Des poignées glissantes ne permettent pas une prise en main sûre et le contrôle de l'outil électrique dans des situations inattendues.

5 SERVICE

- a. **Ne faites réparer votre outil électroportatif que par un personnel qualifié et seulement avec des pièces de rechange d'origine.** Ceci permet d'assurer la sécurité de l'appareil.

Consignes de sécurité spécifiques à la machine


- **Ne tenez l'outil électrique que par l'intermédiaire des poignées isolées, étant donné que la fraise risque de toucher le propre câble d'alimentation de l'outil.** Le contact avec un câble sous tension peut également mettre des pièces métalliques de l'appareil sous tension et pourrait provoquer un choc électrique.

- **Fixez et bloquez la pièce au moyen de serre-joints ou d'une autre manière sur un support stable.** Si vous maintenez la pièce uniquement avec la main ou la bloquez uniquement contre votre corps, elle reste instable, ce qui peut conduire à une perte de contrôle.
- Il convient de contrôler que la fraise est correctement fixée et qu'elle fonctionne impeccablement.
- Les pinces et les écrou-raccords ne doivent pas présenter de quelconque trace de détérioration.
- **Les outils rapportés doivent être conçus au minimum pour la vitesse de rotation indiquée sur l'outil électrique.** Des outils rapportés tournant à une vitesse de rotation trop élevée peuvent se détacher et causer des blessures.
- **Seules les fraises proposées par Festool à cette fin doivent être montées sur l'outil électrique.** L'utilisation d'autres fraises est interdite en raison du risque élevé de blessures.
- **Ne travaillez pas avec des fraises émoussées ou endommagées.** Elles peuvent provoquer la perte de contrôle de l'outil électrique.
- Serrez uniquement les outils avec le diamètre de queue pour lequel la pince est prévue.
- Guidez l'outil contre la pièce à travailler seulement quand celui-ci est activé.
- Ne fraisez pas sur des objets métalliques, clous ou vis.
- **Arrêtez l'immobilisation complète de la machine électrique avant de la déposer.** L'outil peut se bloquer et conduire à une perte de contrôle de la machine électrique.
- **N'approchez pas vos mains de la zone de fraisage et de la fraiseuse.** Tenez la poignée supplémentaire ou le carter moteur à l'aide de votre deuxième main.



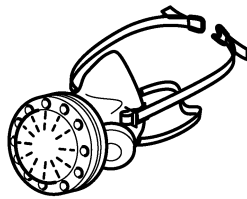
- **Porter des protections personnelles adéquates:** protection auditive, lunettes de protection, masque pour les travaux générant de la poussière, gants de protection pour les travaux avec des matériaux rugueux et pour le changement d'outils.

La poussière, un risque pour la santé

 **AVERTISSEMENT!** Certaines poussières créées par le ponçage mécanique, le sciage, le meulage, le perçage et autres activités reliées à la construction contiennent des substances chimiques connues (dans l'État de la Californie) comme pouvant causer le cancer, des anomalies

congénitales ou représenter d'autres dangers pour la reproduction. Voici quelques exemples de telles substances:

- plomb provenant de peintures à base de plomb,
- silice cristallisée utilisée dans les briques, le ciment et autres matériaux de maçonnerie, et
- arsenic et chrome du bois d'oeuvre traité avec un produit chimique.



Le risque d'exposition à de tels produits varie selon la fréquence à laquelle vous faites ce genre de travail. Pour réduire les risques d'exposition à ces substances chimiques : travaillez dans un endroit adéquatement ventilé et utilisez un équipement de sécurité approuvé, tel que masques antipoussières spécialement conçus pour filtrer les particules microscopiques.



AVERTISSEMENT

POUR RÉDUIRE LE RISQUE DE DOMMAGES, L'UTILISATEUR DOIT LIRE LE MANUEL D'INSTRUCTION.


Utilisation en conformité avec les instructions

L'affleureuse avec table de fraisage pour bandes de chant est destinée au fraisage de chants en bois, plastique et matériaux semblables.



L'utilisateur est responsable des dommages provoqués par une utilisation non conforme.

Caractéristiques techniques

Affleureuse	MFK 700 EQ
Puissance	720 W
Vitesse (à vide) n_0	10000-26000 min ⁻¹
Porte-outils	8 mm (en option : 6 mm, 1/4")
Ø de fraise, max.	26 mm/ 1"
Poids (sans cordon d'alimentation)	1,9 kg
Classe de protection	 /II

Description fonctionnelle

Des éléments fournis sont disponibles sur le volet qui se trouve au début de cette notice d'utilisation. Vous pouvez ainsi déplier cette page et visualiser en permanence les différentes parties de l'outil lorsque vous lisez la notice.

- [1-1]** Butée de fraisage
- [1-2]** Système de verrouillage pour le frein pour le roulement à billes
- [1-3]** +Système de verrouillage pour la profondeur de fraisage
- [1-7]** de fraisage
- [1-4]** Raccordement plug-it

- [1-5]** Réglage de la profondeur de coupe
- [1-6]** Poignée, système de verrouillage pour la profondeur de fraisage
- [1-8]** Régulation de la vitesse
- [1-9]** Interrupteur de marche/arrêt
- [1-10]** Raccord d'aspiration
- [1-11]** Blocage de la broche

Les accessoires illustrés ou décrits ne sont partiellement pas contenus dans le volume de livraison.

Raccordement électrique et mise en route



AVERTISSEMENT

Tension ou fréquence non admissible !

Risque d'accident

- La tension et la fréquence d'alimentation électrique doivent être conformes aux indications de la plaque signalétique.
- En Amérique du nord, utilisez uniquement les outils Festool fonctionnant sous une tension de 120 V/60 Hz.



Toujours arrêter la machine avant de brancher ou de débrancher le câble d'alimentation électrique !

La tension du secteur doit correspondre à l'indication de la tension sur la plaquette signalétique. Un fusible de 16 A (à 120 V) ou un disjoncteur de puissance approprié est nécessaire.

Voir en figure **[2]** a connexion et la déconnexion du câble de raccordement - au secteur.

Rallonge électrique

Si une rallonge électrique est nécessaire, elle doit présenter une section suffisante afin d'éviter une chute de tension excessive ou une surchauffe. Une chute de tension excessive réduit la puissance et peut entraîner la destruction du moteur. Le tableau ci-dessous vous présente la section correcte de la

rallonge en fonction de sa longueur pour cette appareil.

Longueur totale de la rallonge (pieds)	25	50	100	150
Section de la rallonge (AWG)	18	16	16	14

Utilisez exclusivement des rallonges recommandées par U.L. et CSA.

N'utilisez jamais deux rallonges raccordées l'une à l'autre, mais remplacez-les par une rallonge plus longue.

- ① Plus le calibre AWG est bas, plus le câble est résistant.

Marche/Arrêt



AVERTISSEMENT! Lors de la mise en marche et en cours d'utilisation, tenez toujours la affleureuse avec les deux mains au niveau du carter du moteur et de la tête de carter ou de la poignée additionnelle **[1-6]**.

L'interrupteur **[1-9]** fait office d'interrupteur marche/arrêt (I = MARCHE, 0 = ARRÊT).

Réglages



AVERTISSEMENT

Risques de blessures, choc électrique

- ▶ Débrancher la fiche de la prise de courant avant toute intervention sur la machine !

Régulation électronique

La machine dispose d'un système électronique à ondes pleines avec les propriétés suivantes :

Démarrage progressif

Le démarrage progressif assure un fonctionnement sans à-coups de la machine.

Régulation de la vitesse

Le régime est réglé en continu au moyen de la molette [1-8] entre 10000 et 26000 tr/min. Vous pouvez ainsi adapter de façon optimale la vitesse de coupe à chaque matériau.

Vitesse de rotation constante

La vitesse de rotation du moteur est maintenue constante de manière électronique. De ce fait, la vitesse de coupe reste homogène, même lorsque l'outil est fortement sollicité.

Protection thermique

Pour assurer une protection contre la surchauffe, le système électronique de sécurité arrête la machine dès qu'une température critique du moteur est atteinte. Après une période de refroidissement d'env. 3 à 5 minutes, la machine est à nouveau prête à l'emploi. Le temps de refroidissement diminue quand la machine fonctionne (marche à vide).

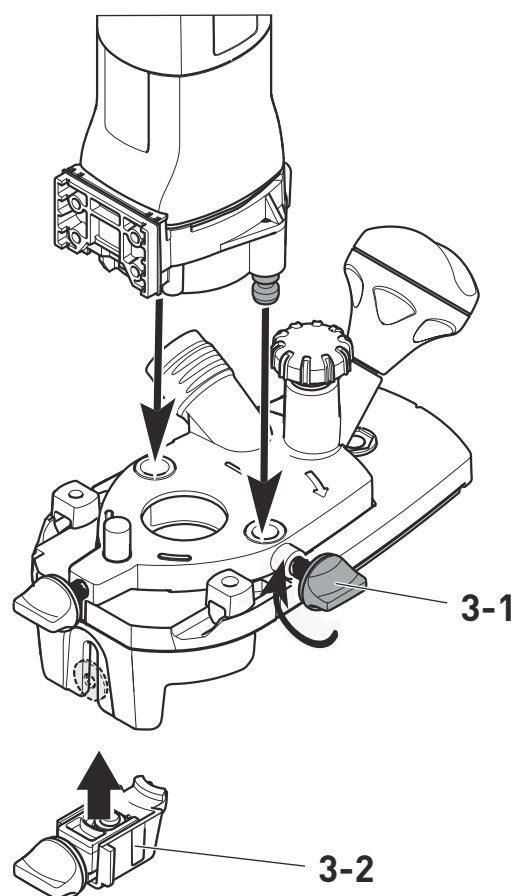
Remplacement de la table de fraisage

Grâce à sa grande surface d'appui, la table de fraisage pour bandes de chant convient au fraisage de bandes de chant dépassantes.

- ▶ Alignez la table de fraisage sur les boulons de la machine [3].
- ▶ Évent. retirez le frein pour le roulement à billes [3-2].
- ▶ Fixez le système de verrouillage pour la table de fraisage [3-1].
- ▶ Évent. placez le frein pour le roulement à billes

[3-2].

3



Démontage dans l'ordre inverse du montage.

Remplacement d'outil



ATTENTION

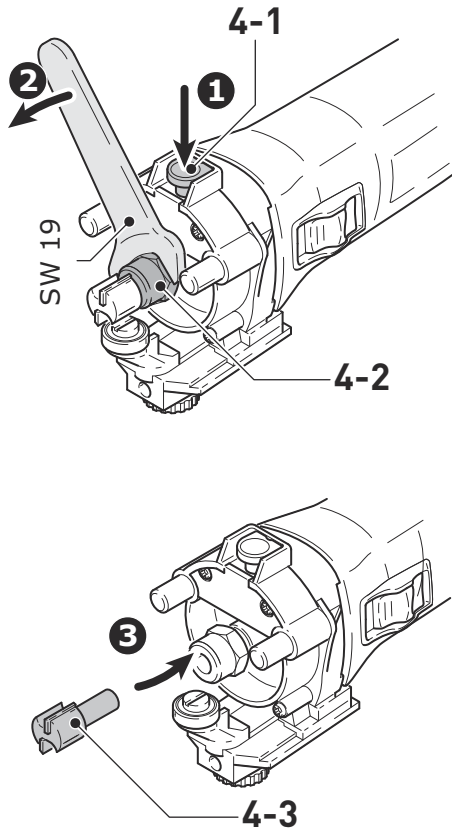
Outil chaud et tranchant

Risques de blessures

- ▶ Porter des gants de protection.

Avant de remplacer l'outil de fraisage, retirez la table de fraisage - voir chapitre Remplacement de la table de fraisage.


4



Prélèvement de l'outil

- ▶ Appuyez sur le blocage de la broche [4-1].
- ▶ Desserrez l'écrou-raccord [4-2] avec la clé à fourche (surplat 19) jusqu'à pouvoir retirer l'outil.
- ▶ Relâchez le blocage de la broche [4-1].

Montage de l'outil

- ▶ Introduisez l'outil de fraisage [4-3] aussi loin que possible dans la pince de serrage ouverte,  au moins jusqu'au marquage de la queue de fraise.
- ▶ Appuyez sur le blocage de la broche [4-1].
- ▶ Serrez l'écrou-raccord [4-2] avec la clé à fourche (surplat 19).
- ▶ Relâchez le blocage de la broche [4-1].

Remplacement de la pince de serrage

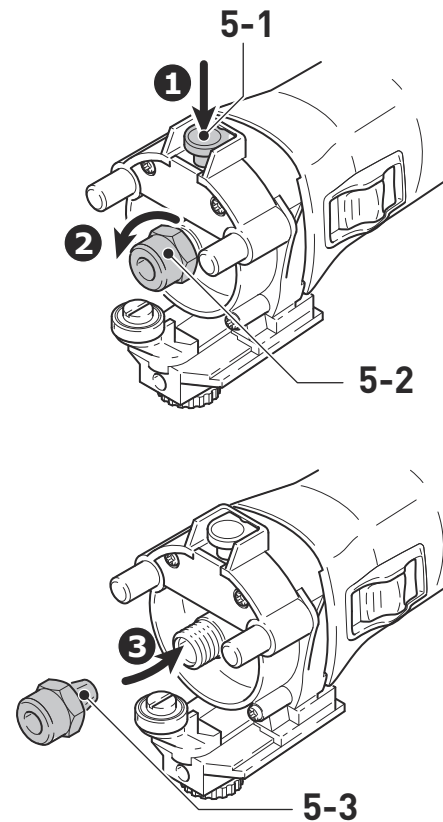
Seuls des outils adaptés doivent être utilisés avec les pinces de serrage fournies. Des pinces de serrage de 8 mm, 6 mm et 1/4" (6,35 mm) peuvent être utilisées.

- ▶ Appuyez sur le blocage de la broche [5-1].
- ▶ Dévissez entièrement l'écrou-raccord [5-2].
- ▶ Relâchez le blocage de la broche [5-1].
- ▶ Sortez l'ensemble écrou-raccord et pince [5-3] de la broche. **Ne séparez jamais l'écrou-raccord et la pince de serrage !** En effet, les deux forment

un ensemble inséparable.

- ▶ Insérez une autre pince munie de son écrou-raccord dans la broche.
- ▶ Vissez l'écrou-raccord sans forcer. **Ne serrez pas l'écrou-raccord en l'absence de fraise !**

5



Réglage de la profondeur de fraisage

- ▶ Desserrez les systèmes de verrouillage pour la profondeur de fraisage [1-3] + [1-6].
- ▶ Réglez la profondeur de fraisage souhaitée sur le réglage de la profondeur de coupe [1-7].
- ▶ Fixez les systèmes de verrouillage pour la profondeur de fraisage [1-3] + [1-6].

Aspiration




AVERTISSEMENT

Risques pour la santé dus aux poussières

- ▶ Les poussières peuvent être dangereuses pour la santé. Pour cette raison, ne travaillez jamais sans aspiration.
- ▶ Respectez toujours les prescriptions nationales en vigueur lors de l'aspiration de poussières dangereuses pour la santé.

Le raccord d'aspiration [1-10] permet de raccorder un aspirateur Festool avec tuyau d'aspiration de 27 mm de diamètre.

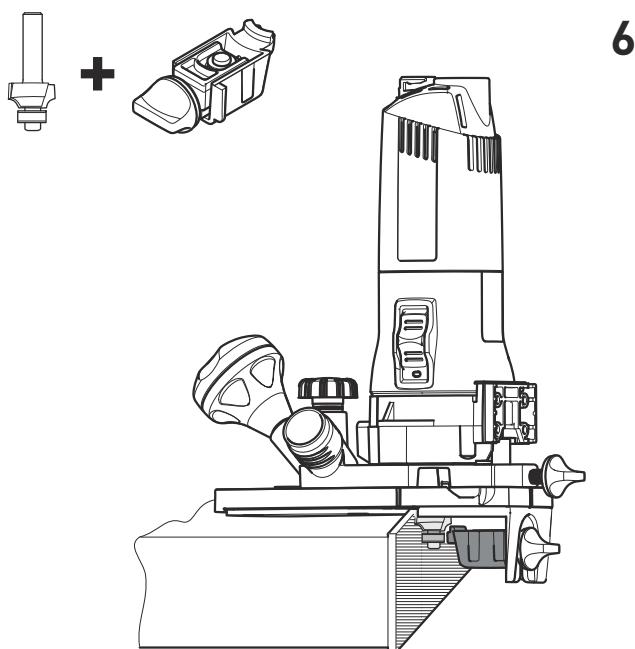
Travail avec la machine

 Lors des travaux, observez toutes les consignes de sécurité indiquées en introduction ainsi que les règles suivantes :


- Fixez la pièce à usiner de manière à ce qu'elle ne puisse pas bouger pendant l'usinage.
- Pour guider la machine de façon sûre, maintenez-la avec les deux mains au niveau du carter du moteur et de la tête de carter ou de la poignée additionnelle **[1-6]**.
- Adaptez la vitesse d'avance au diamètre de la fraise et au matériau. Travaillez avec une vitesse d'avance constante.

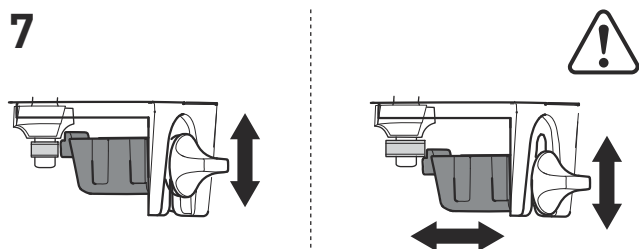
Types de guidage

Fraisage avec roulement à billes de butée [6]



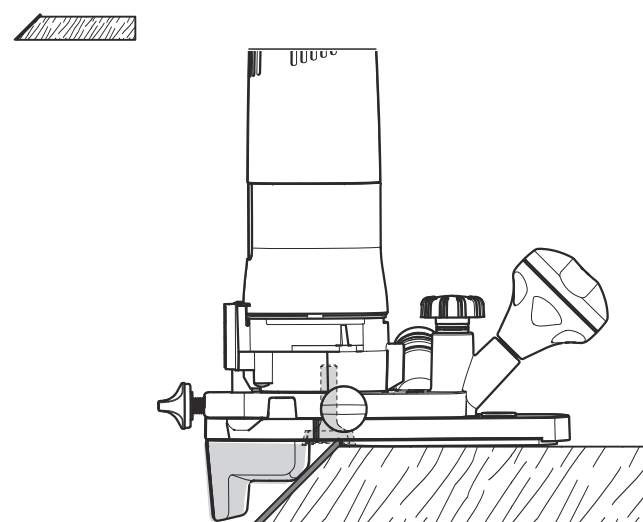
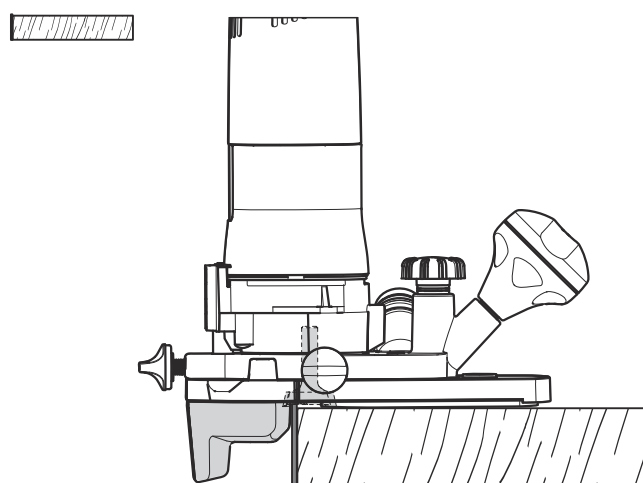
Pour le fraisage avec des outils de fraisage avec roulement à billes de butée, insérez le frein pour roulement à billes dans l'affleureuse. L'affleureuse est guidée de sorte que le roulement à billes de butée de la fraiseuse se déplace entre le frein et la bande de chant.

 Adaptez la hauteur du frein à la hauteur du roulement à billes de butée - 2 niveaux **[7]**.




Fraisage avec fraise à surfacer [8]

Pour le fraisage avec des fraises à surfacer, le travail se fait sans frein pour le roulement à billes. Guidez l'affleureuse de sorte que la butée de la table de fraisage se trouve sur la bande de chant, également possible sur des chants inclinés.



Travail sur métaux

 Pour des raisons de sécurité, respectez les mesures suivantes lorsque vous travaillez sur des métaux :

- Installez en amont de l'appareil un disjoncteur à courant de défaut (FI, PRCD).
- Raccordez l'outil à un aspirateur approprié.
- Nettoyez régulièrement les dépôts de poussières accumulés dans le carter moteur.



Porter des lunettes de protection !

Entretien et maintenance



AVERTISSEMENT

Tout travail de maintenance ou de réparation, qui nécessite l'ouverture du moteur ou du carter d'engrenages doit uniquement être effectué par un centre service-client autorisé (nom fourni par votre revendeur) !

- Les travaux de maintenance ou de réparation effectués par un personnel non autorisé peuvent conduire à la mauvaise connexion de câbles d'alimentation ou d'autres composants, ce qui peut entraîner à son tour des accidents avec des conséquences graves.



AVERTISSEMENT

Pour éviter les accidents, retirez toujours la fiche mâle de la prise d'alimentation électrique avant d'effectuer tout travail de maintenance ou de réparation sur la machine !

- N'utilisez pas d'air comprimé pour nettoyer l'outil électrique ! N'essayez pas de nettoyer des parties à l'intérieur de la machine de cette façon, étant donné que des corps étrangers pourraient pénétrer dans les ouvertures du carter de la machine.



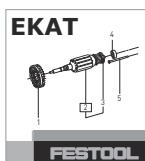
ATTENTION

Certains produits nettoyants et solvants sont nocifs pour les pièces en plastique

- Quelques exemples de produit nocif: essence, acétone, méthyléthylcétone (MEK), chlorure de carbonyle, solutions nettoyantes contenant du chlore, de l'ammoniac et les produits ménagers contenant de l'ammoniac.



Seuls le fabricant et un atelier homologué sont habilités à effectuer **toute réparation ou service**. Les adresses à proximité sont disponibles sur: www.festoolusa.com/service



Utilisez uniquement des pièces de rechange Festool d'origine. Référence sur: www.festoolusa.com/service

Observez les consignes suivantes :

- Pour garantir la circulation de l'air, les orifices d'air de refroidissement sur le carter doivent toujours rester propres et dégagés.

L'appareil est équipé de charbons spéciaux à coupe pure automatique. Lorsque ceux-ci sont usés, l'alimentation est coupée et l'appareil s'arrête.

Accessoires

Utilisez uniquement les accessoires Festool et consommables Festool d'origine prévus pour cette machine, car ces composants systèmes sont parfaitement adaptés les uns par rapport aux autres. Si vous utilisez des accessoires et consommables d'autres marques, la qualité du résultat peut être dégradée et les recours en garantie peuvent être soumis à des restrictions. L'usure de la machine ou votre charge personnelle peuvent augmenter selon chaque application. Pour cette raison, protégez-vous, votre machine et vos droits à la garantie en

utilisant exclusivement des accessoires Festool et des consommables Festool d'origine !

Les références des accessoires et des outils figurent dans le catalogue Festool ou sur Internet sous "www.festoolusa.com".

Systainer

De nombreux produits Festool sont fournis dans une caisse exclusive, appelée "Systainer". Celle-ci permet de protéger et de ranger des outils et des appareils complémentaires. Les Systainer sont empilables et peuvent être solidarités. En outre, il

se fixent sur les aspirateurs CT Festool.

Pour ouvrir le Systainer



Tournez le T-loc [9-1] à cette position.

Pour fermer le Systainer



Tournez le T-loc [9-1] à cette position.

Pour connecter deux Systainers

Placez un Systainer au dessus de l'autre (Fig. [9A]).



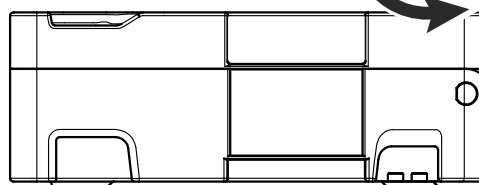
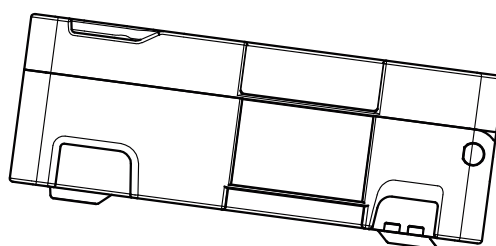
Tournez le T-loc [9-1] à une de cette positions (Fig. [9B]).

Les Systainers sont combinés.

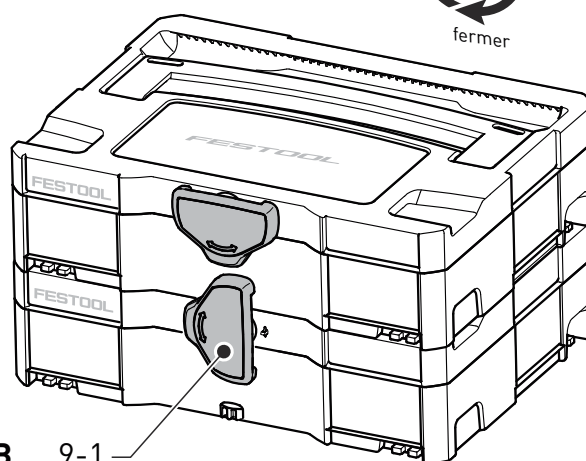
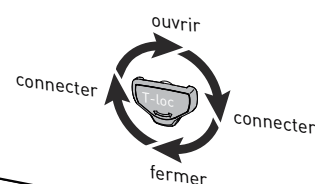
- ① Un Systainer de la nouvelle génération peut être attaché au dessus d'un Systainer de l'ancienne génération par les quatre loquets de

l'ancien Systainer.

9



A



B 9-1

Environnement

Ne jetez pas les outils électriques avec les ordures ménagères ! Éliminez les appareils, les accessoires et les emballages de façon compatible

avec l'environnement. Respectez en cela les dispositions nationales en vigueur.

Garantie

Garantie 1 + 2

Festool offre une garantie restreinte de trois ans, une des plus longues de l'industrie. La présente garantie est valide à la condition préalable que l'outil soit utilisé et exploité en conformité avec les consignes d'utilisation de Festool. Festool garantit que l'outil spécifié sera exempt de vices de matériel

ou de malfaçon durant une période de 3 ans à compter de la date d'achat.

Conditions de la garantie 1 + 2

Tous les clients reçoivent une extension de garantie restreinte gratuite (1 an + 2 ans = 3 ans) pour tous les outils électriques achetés auprès d'un détaillant agréé. Festool est responsable de tous les frais d'expédition durant la première année de la garantie. Durant la deuxième et la troisième année de la

garantie, le client a la responsabilité d'expédier l'outil à Festool. Festool paiera les frais d'expédition de retour au client en utilisant le service terrestre d'UPS. Tout service de garantie est valide 3 ans à compter de la date d'achat indiquée sur votre reçu ou votre facture. La preuve d'achat peut être exigée.

Sont exclus de la couverture au titre de la présente garantie : usure normale, dommage causé par un usage impropre, un usage abusif ou de la négligence ; dommage causé par toute autre chose qu'un vice de matériel ou de malfaçon. La présente garantie ne s'applique pas aux articles accessoires tels que lames de scie plongeante, forets de perceuse, forets de défonceuse, lames de scie sauteuse, bandes abrasives et meules. L'utilisation d'un outil à une tension ou fréquence différente de la puissance nominale de l'outil annule la garantie. L'annulation de garantie inclut l'utilisation de l'outil avec un transformateur. Festool ne tolère ni n'approuve aucune utilisation d'accessoires ou de consommables d'ingénierie, de conception et de fabrication autres que Festool sur des produits Festool. Toute utilisation de produits autres que Festool peut affecter le rendement de l'outil et annuler la garantie. Festool ne peut être tenu responsable de tous dommages ou pertes subis, l'utilisateur assumant tous les risques et l'entière responsabilité liés à l'utilisation de produits qui ne sont pas d'origine Festool. Sont également exclues toutes les " pièces d'usure " telles que les balais de carbone, les lamelles de l'outillage pneumatique, les manchons et joints de caoutchouc, les disques abrasifs et les patins de ponçage, ainsi que les vêtements Festool (chapeaux et t-shirts).

Les obligations de Festool aux termes de la présente garantie se limitent, à sa seule discrétion, à la réparation ou au remplacement ou au remboursement du prix d'achat de tout outil électrique Festool portable jugé comme faisant montre d'un vice de matériel ou de malfaçon durant la période de la garantie. FESTOOL NE PEUT ÊTRE TENU RESPONSABLE DE QUELQUE DOMMAGE CONSÉCUTIF, ACCESSOIRE OU PARTICULIER INDÉPENDAMMENT DU PRINCIPE DE DROIT SUR LEQUEL SE FONDE LA DEMANDE. TOUTES LES GARANTIES IMPLICITES AUX TERMES DE LA LOI ÉTATIQUE, Y COMPRIS LES GARANTIES IMPLICITES DE QUALITÉ MARCHANDE ET D'ADAPTATION À UN USAGE PARTICULIER, SONT PAR LES PRÉSENTES RESTREINTES À UNE DURÉE DE TROIS ANS.

Certains états américains et certaines provinces canadiennes ne permettent pas de restrictions quant à la durée d'une garantie implicite, de sorte

que la restriction qui précède peut ne pas s'appliquer à vous. La présente garantie vous confère des droits légaux spécifiques, et il se peut que vous ayez d'autres droits variant d'un état à l'autre aux É.-U. et d'une province à l'autre au Canada.

En dehors de toute garantie imposée par une loi d'état ou une loi provinciale telle que restreinte ci-dessus, la garantie restreinte qui précède est exclusive et aux lieux et places de toute autre garantie, engagement formel, entente et autre obligation similaire de Festool. Festool ne fait aucune autre garantie, expresse ou implicite, à propos des outils électriques. La présente garantie est valide uniquement pour les outils achetés aux É.-U. et au Canada. Les régimes de garantie d'autres pays peuvent varier pour les cas de service obtenus en dehors des É.-U. et du Canada. Certains pays peuvent exclure de la garantie les produits achetés en dehors de leur territoire. Festool se réserve le droit de refuser la réparation de tout outil ne faisant pas partie de la gamme de produits des É.-U. et du Canada. Aucun agent, représentant, distributeur, concessionnaire ou employé de Festool n'a l'autorité d'augmenter ou d'autrement modifier les obligations ou les restrictions de la présente garantie.



Índice




Sobre este manual.....	28
Símbolos	28
Indicaciones de seguridad	29
Uso conforme a lo previsto	31
Datos técnicos.....	31
Descripción de las funciones.....	31
Conexión eléctrica y puesta en funcionamiento	32
Ajustes	32
Trabajo con la máquina.....	34
Mantenimiento y cuidado.....	36
Accesorios.....	36
Medio ambiente	37
Garantía.....	37

Sobre este manual





Guarde estas instrucciones

Es importante que usted lea y entienda este manual. La información que contiene se relaciona con la protección de **su seguridad y la prevención de problemas**. Los símbolos que siguen se utilizan para ayudarlo a reconocer esta información.

	PELIGRO	Descripción de peligro inminente y fracaso para evitar riesgos que podran causar la muerte.
	ADVERTENCIA	Descripción de peligro y posibles lesiones resultantes o la muerte.

	PRECAUCIÓN	Descripción de peligro y posibles lesiones resultantes.
	AVISO	Declaración incluyendo el tipo de riesgo y posible resultados.
	CONSEJO	Indica informaciones, notas, o consejos para mejorar su éxito con la herramienta.

Símbolos

V	voltios		Clase II Construcción
A	amperios	rpm	revoluciones por minuto
Hz	hertzios	min ⁻¹	
~	tensión alterna	"	pulgada
a.c.		lb.	libras
	tensión continua		Diámetro
d.c.			Indicación, consejo
n ₀	revoluciones por minuto en vacío		



Aviso ante un peligro general



Peligro de electrocución



¡Leer las instrucciones e indicaciones!



¡Usar protección para los oídos!



¡Utilizar protección respiratoria!



¡Utilizar gafas de protección!



¡Utilizar guantes de protección!



Desconecte el enchufe

Indicaciones de seguridad

Indicaciones de seguridad generales



¡ATENCIÓN! Lea íntegramente las instrucciones e indicaciones de seguridad. El incumplimiento de dichas instrucciones e indicaciones puede dar lugar a descargas eléctricas, incendios o lesiones graves.

Guardar todas las advertencias de peligro e instrucciones para futuras consultas.

El término herramienta eléctrica empleado en las siguientes advertencias de peligro se refiere a herramientas eléctricas de conexión a la red (con cable de red) y a herramientas eléctricas accionadas por acumulador (o sea, sin cable de red).

1 PUESTO DE TRABAJO

- Mantenga limpio y bien iluminado su puesto de trabajo.** El desorden y una iluminación deficiente en las áreas de trabajo pueden provocar accidentes.
- No utilice la herramienta eléctrica en un entorno con peligro de explosión, en el que se encuentren combustibles líquidos, gases o material en polvo.** Las herramientas eléctricas producen chispas que pueden llegar a inflamar los materiales en polvo o vapores.
- Mantenga alejados a los niños y otras personas de su puesto de trabajo al emplear la herramienta eléctrica.** Una distracción le puede hacer perder el control sobre el aparato.

2 SEGURIDAD ELÉCTRICA

- El enchufe del aparato debe corresponder a la toma de corriente utilizada. No es admisible modificar el enchufe en forma alguna. No emplear adaptadores en aparatos dotados con una toma de tierra.** Los enchufes sin modificar adecuados a las respectivas tomas de corriente reducen el riesgo de una descarga eléctrica.
- Evite que su cuerpo toque partes conectadas a tierra como tuberías, radiadores, cocinas y refri-**

geradores. El riesgo a quedar expuesto a una sacudida eléctrica es mayor si su cuerpo tiene contacto con tierra.

- No exponga las herramientas eléctricas a la lluvia y evite que penetren líquidos en su interior.** Existe el peligro de recibir una descarga eléctrica si penetran ciertos líquidos en la herramienta eléctrica.
- No utilice el cable de red para transportar o colgar el aparato, ni tire de él para sacar el enchufe de la toma de corriente. Mantenga el cable de red alejado del calor, aceite, esquinas cortantes o piezas móviles.** Los cables de red dañados o enredados pueden provocar una descarga eléctrica.
- Al trabajar con la herramienta eléctrica en la intemperie utilice solamente cables de prolongación homologados para su uso en exteriores.** La utilización de un cable de prolongación adecuado para su uso en exteriores reduce el riesgo de una descarga eléctrica.
- Si fuese imprescindible utilizar la herramienta eléctrica en un entorno húmedo, es necesario conectarla a través de un fusible diferencial.** La aplicación de un fusible diferencial reduce el riesgo a exponerse a una descarga eléctrica.

3 SEGURIDAD DE PERSONAS

- Esté atento a lo que hace y emplee la herramienta eléctrica con prudencia. No utilice la herramienta eléctrica si estuviese cansado, ni tampoco después de haber consumido alcohol, drogas o medicamentos.** El no estar atento durante el uso de una herramienta eléctrica puede provocar serias lesiones.
- Utilice un equipo de protección y en todo caso unas gafas de protección.** El riesgo a lesionarse se reduce considerablemente si, dependiendo del tipo y la aplicación de la herramienta eléctrica empleada, se utiliza un equipo de protección adecuado como una mascarilla antipolvo, zapatos de seguri-

dad con suela antideslizante, casco, o protectores auditivos.

- c. **Evite una puesta en marcha fortuita del aparato. Cerciorarse de que el aparato esté desconectado antes conectarlo a la toma de corriente.** Si transporta el aparato sujetándolo por el interruptor de conexión/desconexión, o si introduce el enchufe en la toma de corriente con el aparato conectado, ello puede dar lugar a un accidente.
- d. **Retire las herramientas de ajuste o llaves fijas antes de conectar la herramienta eléctrica.** Una herramienta o llave colocada en una pieza rotante puede producir lesiones al ponerse a funcionar.
- e. **Sea precavido. Trabaje sobre una base firme y mantenga el equilibrio en todo momento.** Ello le permitirá controlar mejor la herramienta eléctrica en caso de presentarse una situación inesperada.
- f. **Utilice ropa adecuada. No utilice ropa ancha ni objetos de joyería o bisutería. Mantenga el pelo y la ropa alejada de las piezas en movimiento.** La ropa suelta o el pelo largo pueden quedar atrapados por piezas en movimiento.
- g. **Siempre que sea posible utilizar unos equipos de aspiración o captación de polvo, asegúrese que éstos estén montados y que sean utilizados correctamente.** El empleo de estos equipos reduce los riesgos derivados del polvo.
- h. **No debe jamás confiarse por el uso frecuente de las máquinas e ignorar los principios de seguridad de la herramienta.** Un manejo imprudente puede ocasionar lesiones graves en fracciones de segundo.

4 TRATO Y USO CUIDADOSO DE HERRAMIENTAS ELÉCTRICAS

- a. **No sobrecargue el aparato. Use la herramienta prevista para el trabajo a realizar.** Con la herramienta adecuada podrá trabajar mejor y más seguro dentro del margen de potencia indicado.
- b. **No utilice herramientas con un interruptor defectuoso.** Las herramientas que no se puedan conectar o desconectar son peligrosas y deben hacerse reparar.
- c. **Saque el enchufe de la red antes de realizar un ajuste en el aparato, cambiar de accesorio o al guardar el aparato.** Esta medida preventiva reduce el riesgo a conectar accidentalmente el aparato.
- d. **Guarde las herramientas fuera del alcance de los niños y de las personas que no estén familiarizadas con su uso.** Las herramientas utilizadas por personas inexpertas son peligrosas.
- e. **Cuide sus aparatos con esmero. Controle si funcionan correctamente, sin atascarse, las partes móviles del aparato, y si existen partes rotas o**

deterioradas que pudieran afectar al funcionamiento de la herramienta. Si la herramienta eléctrica estuviese defectuosa haga repararla antes de volver a utilizarla. Muchos de los accidentes se deben a aparatos con un mantenimiento deficiente.

- f. **Mantenga los útiles limpios y afilados.** Los útiles mantenidos correctamente se dejan guiar y controlar mejor.
- g. **Utilice herramientas eléctricas, accesorios, útiles, etc. de acuerdo a estas instrucciones y en la manera indicada específicamente para este aparato. Considere en ello las condiciones de trabajo y la tarea a realizar.** El uso de herramientas eléctricas para trabajos diferentes de aquellos para los que han sido concebidas puede resultar peligroso.
- h. **Mantenga las empuñaduras secas, limpias y libres de aceite y grasa.** Las empuñaduras resbaladizas no permiten una manipulación y un control seguros de la herramienta eléctrica en situaciones inesperadas.

5 SERVICIO

- a. **Únicamente haga reparar su herramienta eléctrica por un profesional, empleando exclusivamente piezas de repuesto originales.** Solamente así se mantiene la seguridad de la herramienta eléctrica.

Indicaciones de seguridad específicas


- **Sujete la herramienta eléctrica únicamente por las empuñaduras aisladas, ya que la fresa podría entrar en contacto con algún cable de red.** El contacto con una conducción de corriente puede poner bajo tensión también las piezas metálicas de la máquina y provocar una descarga eléctrica.
- **Fijar y asegurar la pieza de trabajo a una base estable por medio de mordazas o un dispositivo similar.** Si se sostiene la pieza de trabajo únicamente con la mano o la apoya contra el cuerpo, aumentará su inestabilidad, así como el riesgo de perder el control sobre la pieza.
- Asegúrese de que la fresa está bien sujeta y de que funciona correctamente.
- La pinza y la tuerca de racor no deben presentar daños de ningún tipo.
- **Las herramientas deben estar diseñadas para soportar, como mínimo, el número de revoluciones indicado en la herramienta eléctrica.** Si se superan estas revoluciones, las herramientas en funcionamiento o piezas de las mismas pueden salir despedidas y causar lesiones.
- **Solo se deben montar fresas de Festool en la herramienta eléctrica.** Se prohíbe el uso de otras fresas debido al elevado riesgo de sufrir lesiones.

- **No trabaje con fresas desafiladas o dañadas**, pues podrían hacer que perdiera el control sobre la herramienta eléctrica.
- Insertar únicamente herramientas cuyos diámetros de vástago sean los admitidos por la pinza portapieza.
- Solo guíe la máquina por la pieza de trabajo cuando esté conectada.
- Nunca realice un fresado sobre objetos metálicos, clavos ni tornillos.
- **Espera a que la máquina esté completamente parada antes de guardarla.** La herramienta giratoria podría engancharse, lo que podría causar la pérdida de control de la máquina.
- **No acerque las manos a la zona de fresado ni a la fresa.** Sujete el mango adicional o la carcasa del motor con la mano que le queda libre.

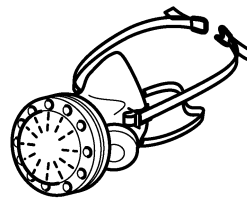


- **Lleve puesto el equipo de protección personal apropiado:** orejeras, gafas de protección y mascarilla en trabajos que levantan polvo, y guantes de protección al trabajar con materiales rugosos y al cambiar de herramienta.

Riesgos para la salud producidos por el polvo

 **ADVERTENCIA!** Algunos polvos creados por lijadoras motorizadas, aserraderos, trituradores, perforadoras y otras actividades de construcción contienen sustancias químicas que se sabe (en el Estado de California) causan cáncer, defectos de nacimiento u otros daños al sistema reproductivo. Algunos ejemplos de estas sustancias químicas son:

- Plomo de las pinturas con base de plomo
- Sílice cristalino de los ladrillos y cemento y otros productos de mampostería, y
- Arsénico y cromo de madera tratada con sustancias químicas



El riesgo de exposición a estas sustancias varía, dependiendo de cuantas veces se hace este tipo de trabajo. Para reducir el contacto con estas sustancias químicas: trabaje en un área con

buena ventilación y trabaje con equipo de seguridad aprobado, como mascarillas para el polvo diseñadas específicamente para filtrar partículas microscópicas.



ADVERTENCIA

PARA REDUCIR EL RIESGO DE LESIÓN, EL USUARIO DEBE LEER EL MANUAL DE INSTRUCCIÓN.

Uso conforme a lo previsto

La fresadora de cantos con mesa de fresar para cintas de cantar está diseñada para fresar cantos de madera, plástico y materiales similares conforme a lo previsto.



El usuario será responsable de cualquier utilización indebida.

Datos técnicos

Fresadora de cantos	MFK 700 EQ
Potencia	720 W
Numero de revoluciones (marcha en vacío) n_0	10000-26000 min ⁻¹
Alojamiento de la herramienta	8 mm (opcional : 6 mm, 1/4")
Ø de la fresa, máx.	26 mm/ 1"
Peso (sin cable de red)	1,9 kg
Clase de protección	 /II

Descripción de las funciones

Las imágenes con la dotación de suministro se encuentran en una hoja desplegable al comienzo de este manual de instrucciones. Cuando lea este manual, le recomendamos que despliegue esta página para disponer fácilmente de una vista general de la máquina.

[1-1] Tope de fresado

[1-2] Bloqueo para el freno de cojinete de bolas

[1-3] +Bloqueo para profundidad de fresado
[1-7]

[1-4] Conexión plug it

[1-5] Ajuste de la profundidad de fresado

- [1-6]** Empuñadura, bloqueo para la profundidad de fresado
- [1-8]** Regulación del número de revoluciones
- [1-9]** Interruptor de conexión y desconexión

- [1-10]** Racor de aspiración
- [1-11]** Bloqueo del husillo

Los accesorios representados o descritos no forman parte íntegra de la dotación de suministro.

Conexión eléctrica y puesta en funcionamiento



ADVERTENCIA

Tensión o frecuencia no permitida

Peligro de caída

- ▶ La tensión de red y la frecuencia de la red eléctrica deben coincidir con los datos que figuran en la placa de tipo.
- ▶ En Norteamérica sólo las máquinas Festool pueden utilizarse con una tensión de 120 V/60 Hz.



Apagar siempre la máquina antes de conectar y desconectar el cable de conexión a la red eléctrica.

La tensión de la red tiene que coincidir con lo indicado en la placa de características. Se requiere un fusible de 16 A (con 120 V), o un correspondiente disyuntor de protección.

Ver la figura **[2]** para enchufar y desenchufar el cable de conexión - a la red.

Alargador

Si fuera necesario utilizar un alargador, éste deberá estar provisto de una sección transversal suficiente como para evitar una pérdida excesiva de voltaje o que se produzca un sobrecalentamiento. Una pérdida

excesiva de voltaje reduce el rendimiento y puede causar el fallo del motor. La tabla que aparece a continuación indica el diámetro correcto del cable en función de la longitud del cable de ésta maquina.

Longitud total del cable alargador (pie)	25	50	100	150
Dimensiones del cable (AWG)	18	16	16	14

Use sólo los alargadores U.L. y CSA que figuran en la relación.

No utilice nunca dos alargadores juntos. Se recomienda usar un solo cable largo.

- ① Cuanto menor sea el número AWG, más fuerte será el cable.

Conexión y desconexión



ADVERTENCIA! La máquina tiene que ser sujeta siempre con ambas manos sobre la carcasa del motor y el cabezal del engranaje o sobre el mango adicional **[1-6]** para un guiado seguro durante la conexión y el uso.

El interruptor **[1-9]** sirve como interruptor de conexión y desconexión (I = CONECTADO, 0 = DESCONECTADO).

Ajustes



ADVERTENCIA

Peligro de lesiones y electrocución

- ▶ Desconectar el enchufe de la toma de corriente antes de realizar cualquier trabajo en la máquina.

Sistema electrónico

La máquina dispone de un sistema electrónico de

onda completa con las siguientes propiedades:

Arranque suave

El arranque suave mediante control electrónico garantiza una puesta en marcha de la máquina sin sacudidas.

Regulación del número de revoluciones

Las revoluciones pueden regularse de modo continuo con la rueda de ajuste **[1-8]** entre 10000 y 26000 r.p.m. De esta forma, la velocidad de corte se puede

adaptar de forma óptima a cada material.

Revoluciones constantes

El número de revoluciones del motor se mantiene constante gracias a un sistema electrónico. De este modo se consigue también una velocidad de corte estable bajo carga.

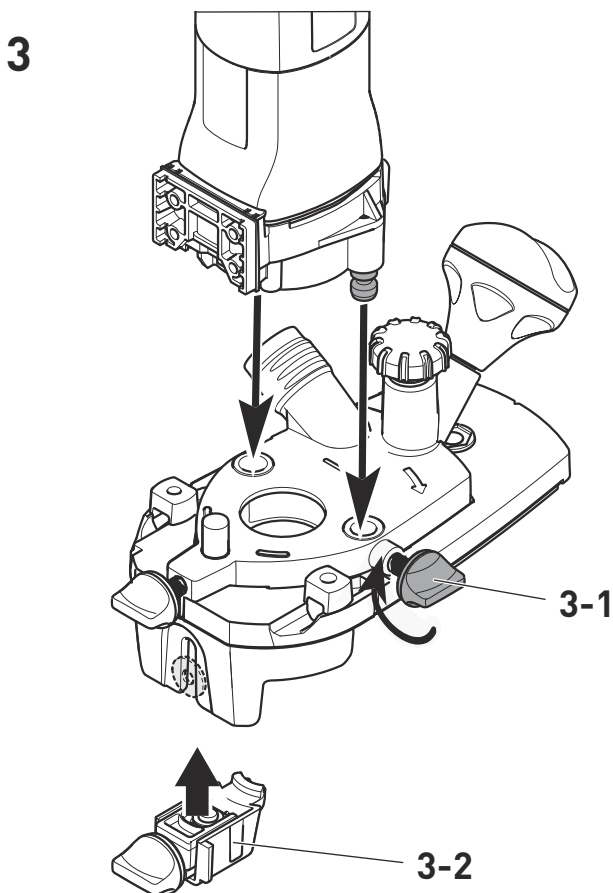
Dispositivo protector contra sobretemperaturas

Cuando el motor alcanza una temperatura crítica, el sistema electrónico de seguridad desconecta la máquina para prevenir un sobrecalentamiento. Después de un tiempo de enfriamiento de aprox. 3-5 minutos, la máquina está preparada para volver a funcionar. Si la máquina está en marcha (marcha en vacío) el tiempo de enfriamiento se reduce.

Cambio de la mesa de fresar

Gracias a su gran superficie de apoyo, la mesa de fresar para cintas de cantear resulta idónea para fresar cintas de cantear que sobresalen.

- ▶ Desplazar la mesa de fresar sobre los pernos de alojamiento de la máquina [3].
- ▶ Si es necesario, retirar el freno de cojinete de bolas [3-2].
- ▶ Fijar el bloqueo para la mesa de fresar [3-1].
- ▶ Si es necesario, colocar el freno de cojinete de bolas [3-2].



Desmontaje en el orden inverso.

Cambiar de herramienta



ATENCIÓN

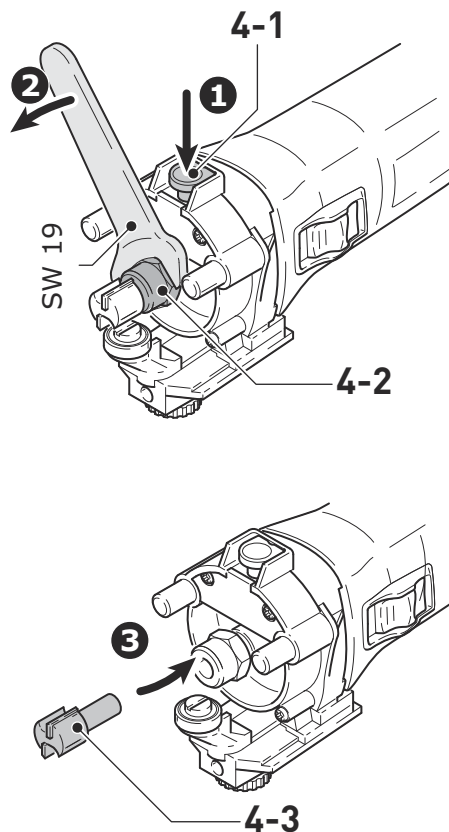
Herramienta caliente y afilada

Peligro de lesiones

- ▶ Utilice guantes de protección.

Antes de cambiar la fresadora, retirar la mesa de fresar: véase el Cambio de la mesa de fresar.


4



Extracción de la herramienta

- ▶ Presionar el bloqueo del husillo [4-1].
- ▶ Aflojar la tuerca de racor [4-2] con la llave bifurcada (SW 19) hasta que se pueda quitar la herramienta.
- ▶ Soltar el bloqueo del husillo [4-1].

Inserción de la herramienta

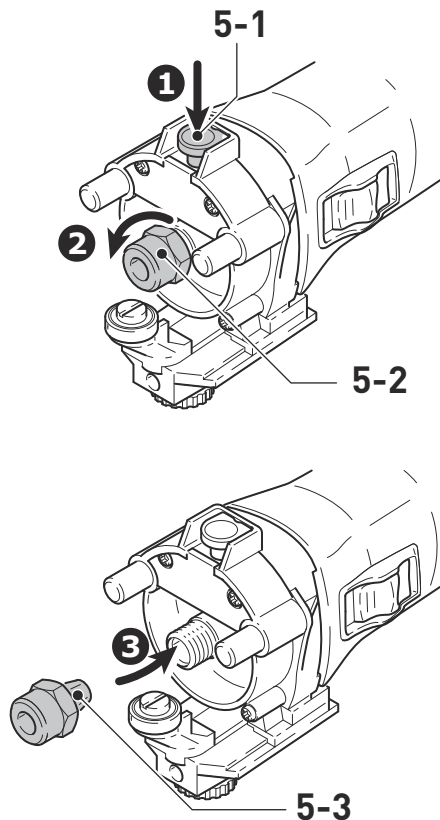
- ▶ Introducir la fresadora [4-3] en la pinza abierta tanto como sea posible  y al menos hasta la marca del vástago de la fresa.
- ▶ Presionar el bloqueo del husillo [4-1].
- ▶ Apretar la tuerca de racor [4-2] con la llave bifurcada (SW 19).
- ▶ Soltar el bloqueo del husillo [4-1].

Cambio de la pinza

Solo deben emplearse las herramientas adecuadas con las pinzas suministradas. Pueden emplearse pinzas con 8 mm, 6 mm y 1/4" (6,35 mm).

- ▶ Presionar el bloqueo del husillo [5-1].
- ▶ Girar totalmente la tuerca de racor [5-2].
- ▶ Soltar el bloqueo del husillo [5-1].
- ▶ Extraer del husillo la tuerca de racor junto con la pinza [5-3]. **No separar nunca la tuerca de racor y la pinza**, puesto que forman una unidad.
- ▶ Colocar otra pinza con tuerca de racor en el husillo.
- ▶ Apretar ligeramente la tuerca de racor. **¡No apretar del todo la tuerca de racor mientras no haya una fresa insertada!**

5



Ajuste de la profundidad de fresado

- ▶ Aflojar el bloqueo para la profundidad de fresado [1-3] + [1-6].
- ▶ Ajustar la profundidad de fresado deseada en el ajuste de profundidad de fresado [1-7].
- ▶ Fijar el bloqueo para la profundidad de fresado [1-3] + [1-6].

Aspiración



ADVERTENCIA

Consecuencias perjudiciales para la salud a causa del polvo

- ▶ El polvo puede ser perjudicial para la salud. Por este motivo, no trabaje nunca sin aspiración.
- ▶ Durante la aspiración de polvo perjudicial para la salud, respete siempre las normativas nacionales.

En los racores de aspiración [1-10] puede conectarse un aspirador Festool con un diámetro de tubo flexible de aspiración de 27 mm.

Trabajo con la máquina



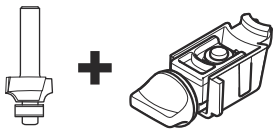
Durante el trabajo, tenga en cuenta todas las indicaciones de seguridad mencionadas al principio de este documento, así como las normas siguientes:

- Fije la pieza de trabajo siempre de forma que no se pueda mover cuando se trabaje con ella.

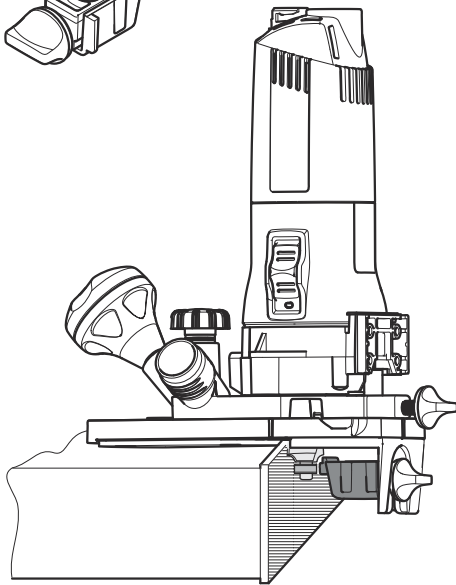
- Sujete la máquina con ambas manos sobre la carcasa del motor y el cabezal del engranaje o sobre el mango adicional para un guiado seguro [1-6].
- Ajuste la velocidad de avance al diámetro de la fresa y al material. Trabaje con una velocidad de avance constante.

Tipos de guiado


Fresado con cojinete de arrastre [6]



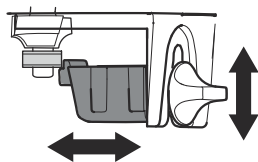
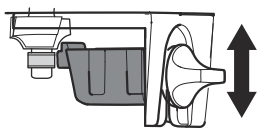
6



Al fresar con fresadoras con cojinete de arrastre, el freno de cojinete de bolas debe estar colocado en la fresadora de cantos. La fresadora de cantos se guía de tal modo que el cojinete de bolas de arrastre de la fresa gira entre el freno y la cinta de cantar.

 Adaptar la altura del freno a la altura del cojinete de bolas de arrastre: 2 niveles [7].

7

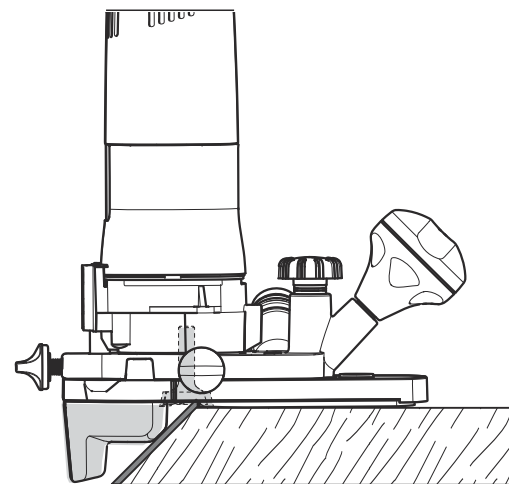
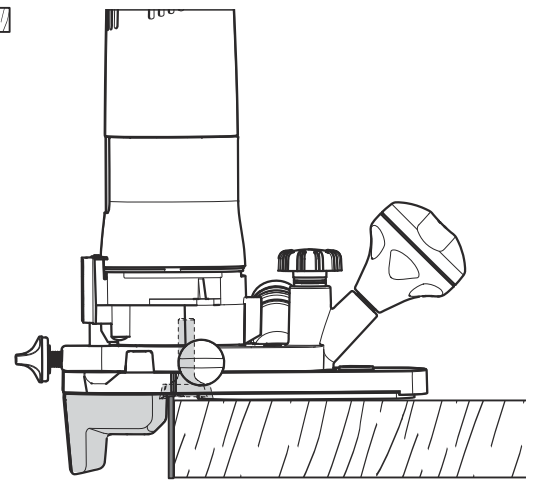


Fresado con fresadora para planear [8]

Al fresar con fresadora para planear se trabaja sin freno de cojinete de bolas. Guiar la fresadora de cantos de tal modo que el tope de la mesa de fresar se

sitúe en la cinta de cantar; también es posible utilizarla en cantos biselados.

8



Tratamiento de metales



Al trabajar con metal deberá tener presente las siguientes medidas por motivos de seguridad:

- Preconecte un interruptor de corriente de defecto (FI, PRCD).
- Conecte la máquina a un equipo de aspiración apropiado.
- Limpie regularmente el polvo que se acumula en la carcasa del motor de la máquina.



¡Utilizar gafas de protección!

Mantenimiento y cuidado



ADVERTENCIA

Cualquier trabajo de mantenimiento o reparación que requiera abrir el motor o la carcasa del engranaje deberá ser realizado únicamente por un Centro de Atención al Cliente (nombre proporcionado por su concesionario).

- ▶ Los trabajos de mantenimiento o reparación realizados por una persona no autorizada podrían provocar la conexión incorrecta de los conductores de alimentación u otros componentes, lo que a su vez podría provocar accidentes con consecuencias graves.



ADVERTENCIA

Para prevenir los accidentes, antes de realizar cualquier trabajo de mantenimiento o reparación en la máquina retire siempre el enchufe de la toma de corriente.

- ▶ No utilice aire a presión para limpiar las herramientas eléctricas. No intente limpiar las partes internas de la máquina de este modo, ya que podría permitir la entrada de objetos extraños a través de las aperturas de la carcasa de la máquina.



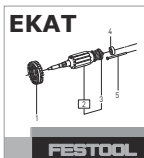
ATENCIÓN

Algunos productos de limpieza y disolventes resultan perjudiciales para las piezas de plástico.

- ▶ Algunos de ellos incluyen, entre otros, gasolina, acetona, metilacetona (MEK) y oxidocloruro de carbono. Los productos de limpieza normalmente contienen cloro y amoníaco y los productos de limpieza del hogar contienen amoníaco.



El **Servicio de atención al cliente y reparaciones** solo está disponible por parte del fabricante o de los talleres de reparación: encuentre la dirección más próxima a usted en: www.festoolusa.com/service



Utilice únicamente piezas de recambio Festool originales. Referencia en: www.festoolusa.com/service

Tenga en cuenta las siguientes advertencias:

- ▶ A fin de garantizar una correcta circulación del aire, las aberturas para el aire de refrigeración dispuestas en la carcasa deben mantenerse libres y limpias.

El aparato está equipado con escobillas especiales autodesconectables. Si las escobillas están desgastadas, se interrumpe automáticamente la corriente y el aparato se detiene.

Accesorios

Utilice únicamente los accesorios Festool originales y el material de consumo Festool diseñados para esta máquina, puesto que los componentes de este sistema están óptimamente adaptados entre sí. La utilización de accesorios y material de consumo de otros fabricantes puede afectar a la calidad de los resultados de trabajo y conllevar una limitación de los derechos de la garantía. El desgaste de la máquina o de su carga personal puede variar en función de la aplicación. Utilice únicamente accesorios originales y material de consumo de Festool para su propia pro-

tección y la de la máquina, así como de los derechos de la garantía.

Los números de pedido para los respectivos accesorios y herramientas se encuentran en su catálogo Festool o en la dirección de Internet "www.festoolusa.com".

Systainer

Muchos de los productos Festool se entregan en un embalaje exclusivo denominado "Systainer" que sirve de protección a la herramienta y sus complementos, además de facilitar su almacenamiento. Los Systainer pueden apilarse y encajan unos con otros.

Además se adaptan sin problema a cualquier aparato de aspiración CT de Festool.

Para abrir el Systainer



Gire el T-loc [9-1] a esta posición.

Para cerrar el Systainer



Gire el T-loc [9-1] a esta posición.

Para encajar dos Systainer

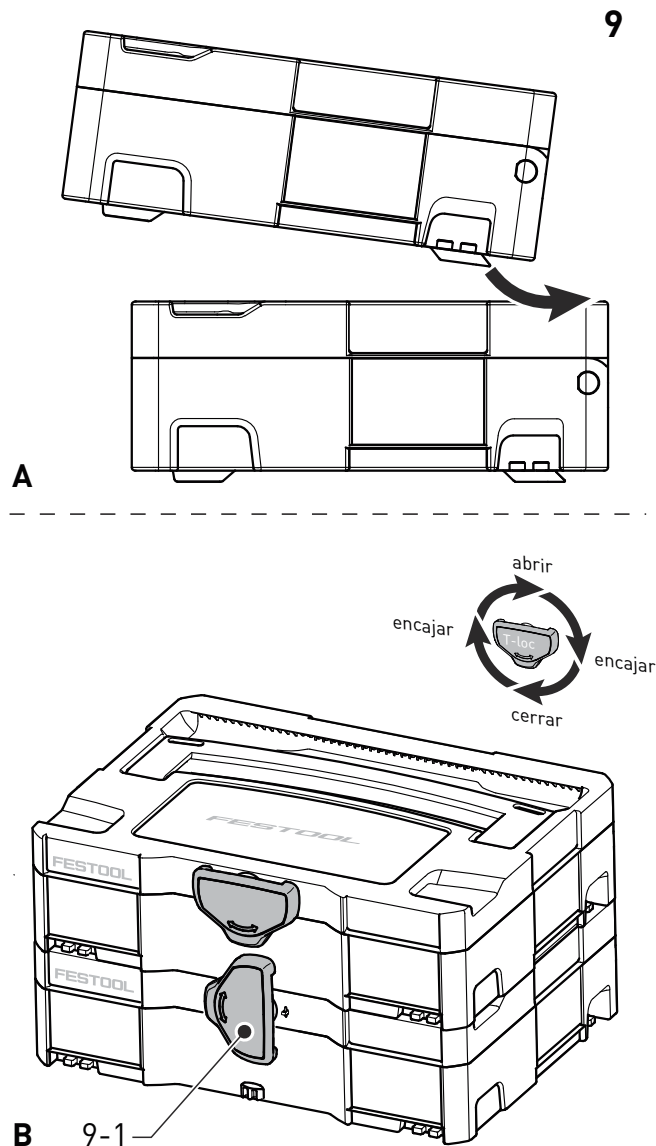
Ponga el Systainer sobre un otro (Fig. [9A]).



Gire el T-loc [9-1] a una de estas posiciones (Fig. [9B]).

Los Systainers están encajados y cerrados.

- ① Un Systainer de la nueva generación es encajable encima de un Systainer de la generación anterior con los cuatro enganches del Systainer anterior.



Medio ambiente

¡No deseché las herramientas eléctricas junto con los residuos domésticos! Recicle los aparatos, accesorios y embalajes de forma respetuosa con el medio

ambiente. Tenga en cuenta la normativa vigente del país.

Garantía

Garantía 1+2

Festool ofrece una garantía limitada de 3 años, una de las más sólidas de la industria. Esta garantía será válida con la condición previa de que la herramienta se utilice conforme a las instrucciones de funcionamiento de Festool. Festool garantiza que la herramienta especificada no presentará defectos de material o de acabado durante un periodo de 3 años a partir de la fecha de compra.

Condiciones de la garantía 1+2

Al adquirir una herramienta eléctrica nueva de Festool en un distribuidor autorizado, todos los clientes recibirán de forma gratuita una garantía limitada ampliada (1 año + 2 años = 3 años). Festool será responsable de todos los gastos de envío durante el primer año de vigencia de la garantía. Durante el segundo y tercer año, el cliente será responsable del envío de la herramienta a Festool. Festool pagará la devolución al cliente utilizando el servicio UPS Ground. Todos los servicios de garantía serán válidos

durante 3 años a partir de la fecha de compra que figura en el recibo o factura. Puede que se precise una prueba de compra.

Quedan excluidos de la cobertura de la presente garantía el desgaste normal, los daños ocasionados por un uso indebido, abuso o negligencia; los daños provocados por otra causa que no sea un defecto de material o de acabado. La presente garantía no es aplicable a elementos accesorios tales como hojas de sierra circulares, brocas, puntas de fresadora, hojas de calar, bandas lijadoras y ruedas de amolar. El hecho de utilizar la herramienta a una tensión o una frecuencia diferentes de los valores nominales anulará la garantía. Esto incluye el uso de la herramienta combinada con un transformador. Festool no aprueba ni apoya el uso, con productos Festool, de accesorios o consumibles que no hayan sido construidos, diseñados y fabricados por Festool. La utilización de cualquier producto que no sea de Festool puede afectar al rendimiento o anular la garantía. Festool no se responsabilizará de ningún daño o pérdida y el usuario asumirá los riesgos y la responsabilidad por el uso de productos no derivados de Festool. Se excluyen asimismo las "piezas de desgaste" como, por ejemplo, cepillos de carbón, láminas de herramientas neumáticas, abrazaderas y juntas de caucho, platos lijadores y artículos de ropa de Festool (gorras y camisetetas).

Las obligaciones de Festool, según su propio criterio y de acuerdo con la presente garantía, se limitarán a la reparación, sustitución o reembolso del precio de compra de cualquier herramienta eléctrica portátil de Festool en la que se haya detectado un defecto de material o de acabado durante el periodo de garantía. FESTOOL NO SERÁ RESPONSABLE DE NINGÚN DAÑO CONSECUENCIAL, INCIDENTAL O ESPECIAL, INDEPENDIENTEMENTE DEL FUNDAMENTO LEGAL EN EL QUE SE BASE LA RECLAMACIÓN. TODAS LAS GARANTÍAS IMPLÍCITAS DE ACUERDO CON LA LEGISLACIÓN ESTATAL, INCLUIDAS LAS DE COMERCIALIZACIÓN Y ADECUACIÓN PARA UN FIN PARTICULAR, SE LIMITARÁN POR LA PRESENTE A UNA DURACIÓN DE TRES AÑOS.

En determinados estados de EE. UU. y provincias de Canadá, las limitaciones de duración de una garantía implícita no están permitidas, de modo que es posible que la limitación anterior no sea aplicable en su caso. La presente garantía le otorga derechos legales específicos; además, es posible que goce de otros derechos que varíen en los diferentes estados de EE. UU. y provincias de Canadá.

A excepción de cualquier garantía implícita de acuerdo con la legislación estatal o provincial y limitada según lo expuesto anteriormente, la garantía limita-

da expresa precedente será exclusiva y sustituirá a todas las demás garantías, acuerdos y obligaciones similares de Festool. Festool no concede ninguna otra garantía, ya sea expresa o implícita, para sus herramientas eléctricas portátiles. Esta póliza de garantía únicamente será válida para aquellas herramientas que se hayan adquirido en EE. UU. y Canadá. Las pólizas de garantía de otros países podrán diferir al acudir al servicio de garantía fuera de EE. UU. y Canadá. Determinados países excluyen de la garantía los productos adquiridos fuera de su territorio. Festool se reserva el derecho de rechazar la reparación de cualquier herramienta que no forme parte de la línea de productos de EE. UU./Canadá. Ningún agente, representante, distribuidor, proveedor o empleado de Festool estará autorizado a incrementar o modificar las obligaciones o limitaciones estipuladas en la presente garantía.