



**HD500/510/520**  
*Owners Manual*



## To Our Customers

Thank you for purchasing a *SHARK HD CNC* from *Next Wave CNC*! Your CNC opens up a world of creative possibilities for your ideas and designs. Following the step-by-step instructions, your Shark CNC will be up and running in no time.

Whether you're new to CNC technology or a seasoned expert, your *SHARK HD CNC* provides a lot of flexibility for programming and operation. Our specially designed *LCD Pendant* is an auxiliary touchscreen that provides hands-on control of many of the functions of the *SHARK CNC* right at the machine, without the need for a connection to a personal computer. The *Pendant* includes a USB port to transfer files from your PC.

For additional control and programming options using your PC, we've included our *Ready2Control* software. *Ready2Control* allows you to run toolpath files and control your *SHARK HD CNC* from the PC. It operates in a similar way to the *LCD Pendant* but includes additional machine control tools. See the *Ready2Control* User's Manual for more information.

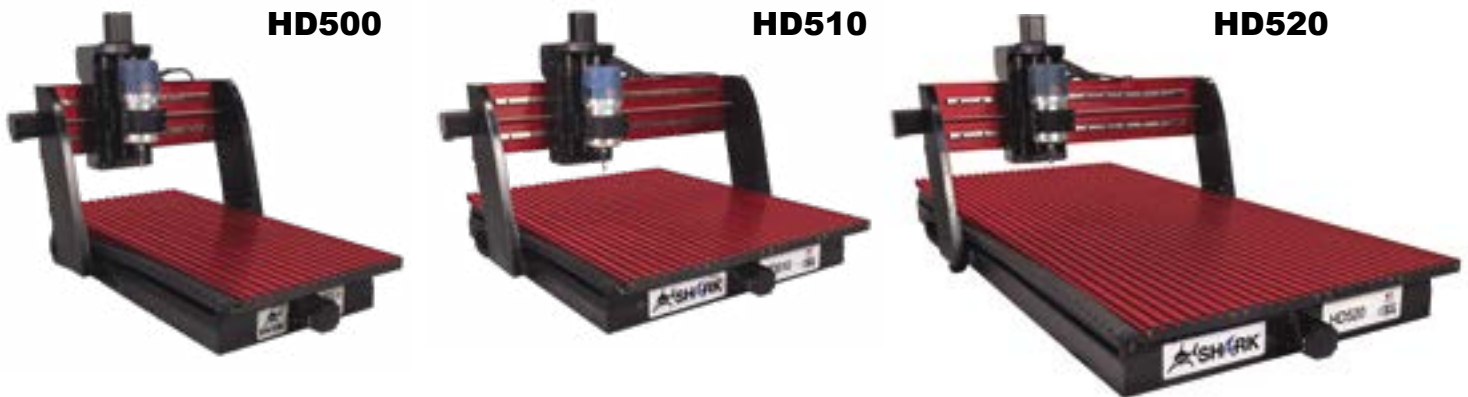
*Vetric VCarve* is a world-wide standard for designing parts and programming the toolpaths for your *SHARK HD CNC* using an intuitive interface. *V-Carve* includes a broad set of CNC clip art files and a library of tools for cutting and shaping the part. Design tutorials and software support can be found at [Vetric.com](http://Vetric.com).

## System Requirements

All *SHARK CNCs* plug into a standard 110v receptacle for power. A 15 amp or higher circuit is required.

*Ready2Control* software requires at minimum, a computer with Microsoft Windows 10 or higher, a 2 Ghz Quad-Core processor, a minimum of 8Gb RAM, 300 Mb Disk space (Program), a 1280 x 720 Display monitor, and a USB-A port.

*Vetric VCarve* requires a 2 Ghz Multi-Core x86 or x64 processor (Intel or AMD) with Microsoft Windows 10 or higher, a minimum 4Gb RAM, 300 Mb Disk space (Program) + 7.7GB for optional tutorials and clipart, and a 1024 x 768 Display monitor.



## Please Read This Manual Carefully

This manual provides important setup and operational information for your *SHARK HD CNC* machine. Using your *SHARK HD CNC* requires experience with basic computer operation and the technical knowledge to safely operate power tools.



*Next Wave CNC* warrants your new *SHARK HD series CNC* to be free from defects in material and workmanship for TWO YEARS from the date of purchase. The warranty applies only to the original retail purchaser of the *SHARK HD series CNC* when purchased from an authorized *Next Wave CNC* distributor. This warranty covers the parts and labor to correct the defect. It does not cover the cost of shipping the machine and/or parts to *Next Wave CNC* for evaluation or repair. This warranty does not apply to problems arising from normal wear and tear, misuse, abuse, negligence, accidents, unauthorized repairs, alterations, or lack of maintenance. This warranty is void if the *SHARK HD CNC* or any portion of it is modified without the prior written permission from *Next Wave CNC*, or if the machine is located or has been used outside of the country where the machine was purchased.

Please contact *Next Wave CNC* to take advantage of this warranty. If *Next Wave CNC* determines that your *SHARK HD series CNC* is defective in material or workmanship, *Next Wave CNC* will, at its expense and upon proof of purchase, send replacement parts to the original retail purchaser necessary to cure the defect. *Next Wave CNC* will repair your *SHARK HD CNC* provided the machine or affected components are returned to *Next Wave CNC*, shipping prepaid, with proof of purchase and within the warranty period.

*Next Wave CNC* disclaims all other express or implied warranties, including fitness for a particular purpose. *Next Wave CNC* shall not be liable for death, injuries to persons or property, or incidental, consequential, contingent or special damages arising from the use of the *SHARK HD CNC* .

**Ready2Control** software *Next Wave CNC* warrants *Ready2Control* and *Virtual Zero Unlimited* to perform as intended and will provide customer support to the original purchaser when purchased from an authorized retail distributor. Warranty only applies to the current version or the support needed to update a past version. The cost of the software upgrade (if any) is not covered by the warranty.

Lifetime Technical Support is provided to the original purchaser.

Technical support for the *VCarve* design software furnished with your *Shark CNC* is provided by *Vectric*. You can find a variety of training videos located at [www.vectric.com](http://www.vectric.com). If you have questions or need software support, please get in touch with *Vectric* directly at [support@vectric.com](mailto:support@vectric.com)

Copyright 2022 *Next Wave CNC*  
All Rights Reserved.

*SHARK* is the registered trademark of  
*Next Wave CNC*.

*Ready2Control* is copyrighted by  
*Next Wave CNC*.

*Virtual Zero Unlimited* is patented by  
*Next Wave CNC*.

All other trademarks are the property of their respective owners. Information in this manual is subject to change without notice. The most recent version of this manual can be found at [www.NextWaveCNC.com/downloads-links](http://www.NextWaveCNC.com/downloads-links)



## Contact Us

If you need technical assistance with your *SHARK HD CNC* or software, please visit our Support webpage at:

*NextWaveCNC.com/support*  
or email Customer Support at:  
[Support@NextWaveCNC.com](mailto:Support@NextWaveCNC.com).

Please include your product model number, date of purchase, and other pertinent information associated with the issue such as .tap files, *VCarve* files, screen captures, or photos of your setup or the problem.

Support Email: [support@nextwaveCNC.com](mailto:support@nextwaveCNC.com)  
Available: 9 am – 5 pm (ET) Monday-Friday

### Serial Number and Software License Information:

For easy reference and record keeping, enter your *SHARK HD* and *Vetric* information at right. To locate the information, refer to the pages below.

Controller Box Serial Number

\_\_\_\_\_

LCD Pendant Serial Number

(page 13) \_\_\_\_\_

LCD Pendant Unlock Code

(page 13) \_\_\_\_\_

VCarve License Code

(page 21) \_\_\_\_\_

Your VCarve User's Name

(page 22) \_\_\_\_\_



**Next Wave CNC, LLC,**  
600 W. Boundary St., Perrysburg, Ohio 43551  
USA  
Main Office Phone (419) 318-4822  
[info@nextwaveCNC.com](mailto:info@nextwaveCNC.com)

# CONTENTS

---

## **Assemble Your CNC Router**

Machine Overview .....	6
Assembly Overview .....	7
Adding the Gantry .....	7
Installing the Cable Carrier .....	8
Installing the Router Mount.....	11
Connecting the Cables .....	12

## **Machine & Pendant Registration** ..... 13

<b>Safety Tips</b> .....	14
Stop Your CNC Fast.....	15

## **Basic Pendant Functions**

Jog & Speed Settings .....	16
Zero the X & Y Axes .....	16
Move to Origin .....	16
Zero Z Axis - Manually.....	17
Zero Z Axis - With Touch Plate .....	17

## **Install Vetric VCarve**

Software Installation .....	18
Opening an Account .....	24
Updating .....	25
VCarve Workflow .....	26

## **1st Build - A Simple Project**

Tool Holder .....	32
-------------------	----

## **2nd Project - Through Cuts**

Cutting Board.....	34
--------------------	----

## **3rd Project - Carving**

Trivits .....	36
---------------	----

## **Maintenance** ..... 39 |

Resources .....	40
-----------------	----

## **Upgrade Accessories** ..... 41 |

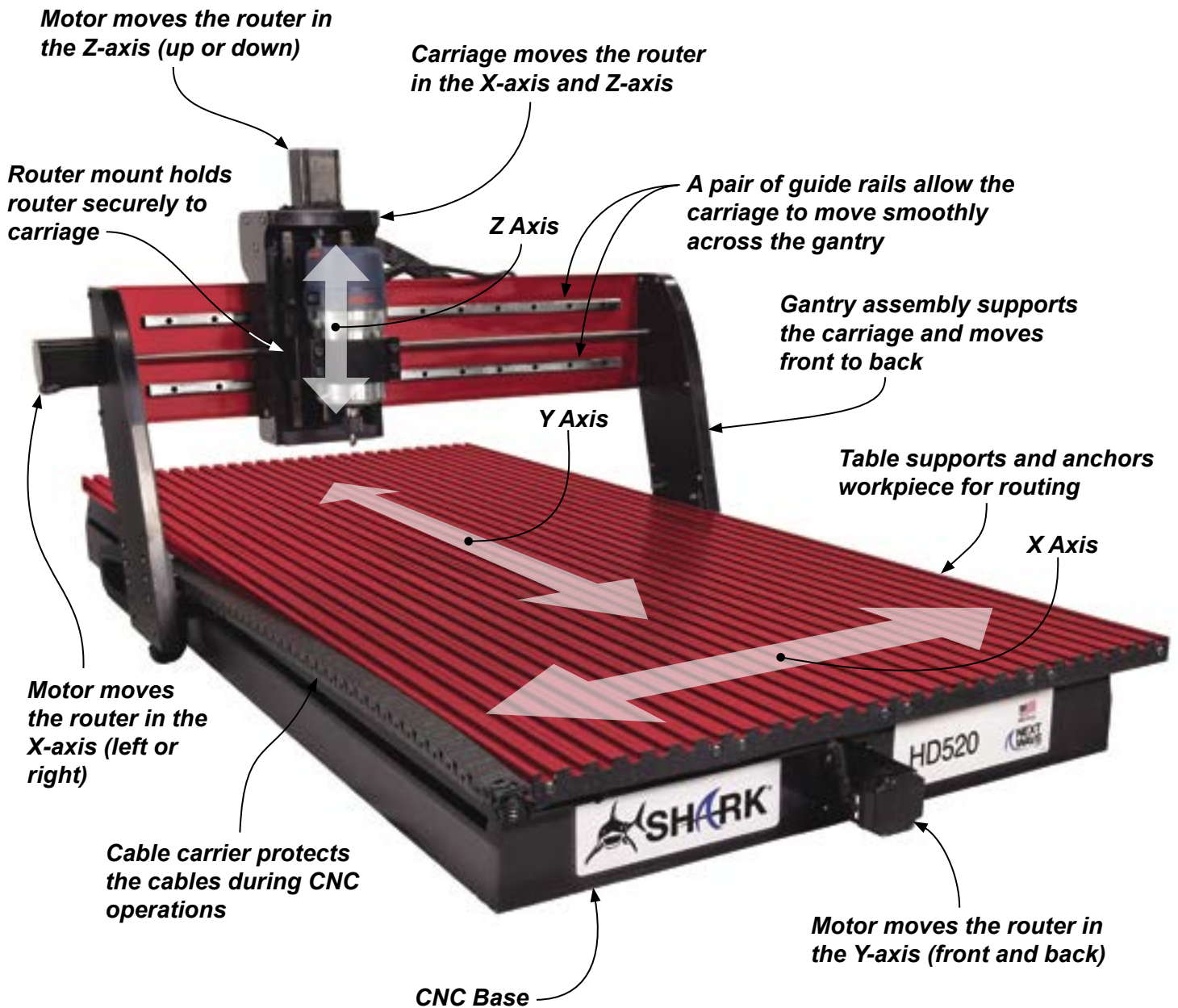
## Machine Overview

Before assembling and using your SHARK CNC, we strongly recommend viewing the series of assembly videos with detailed instructions at <https://www.nextwavecnc.com/support>.

Determine where in your shop it will be located. Assembling your CNC at or near this area will save some hassle later if the CNC needs moved to its final home.

See the Assembly Overview illustration below to get familiar with all of the parts of your CNC. You'll find a variety of videos covering the assembly of your Shark CNC Router online at <https://www.nextwavecnc.com/video>.

As you are aware, many components of your CNC are heavy. To make assembling and moving the CNC easier, it's best to have the assistance of a friend or coworker.

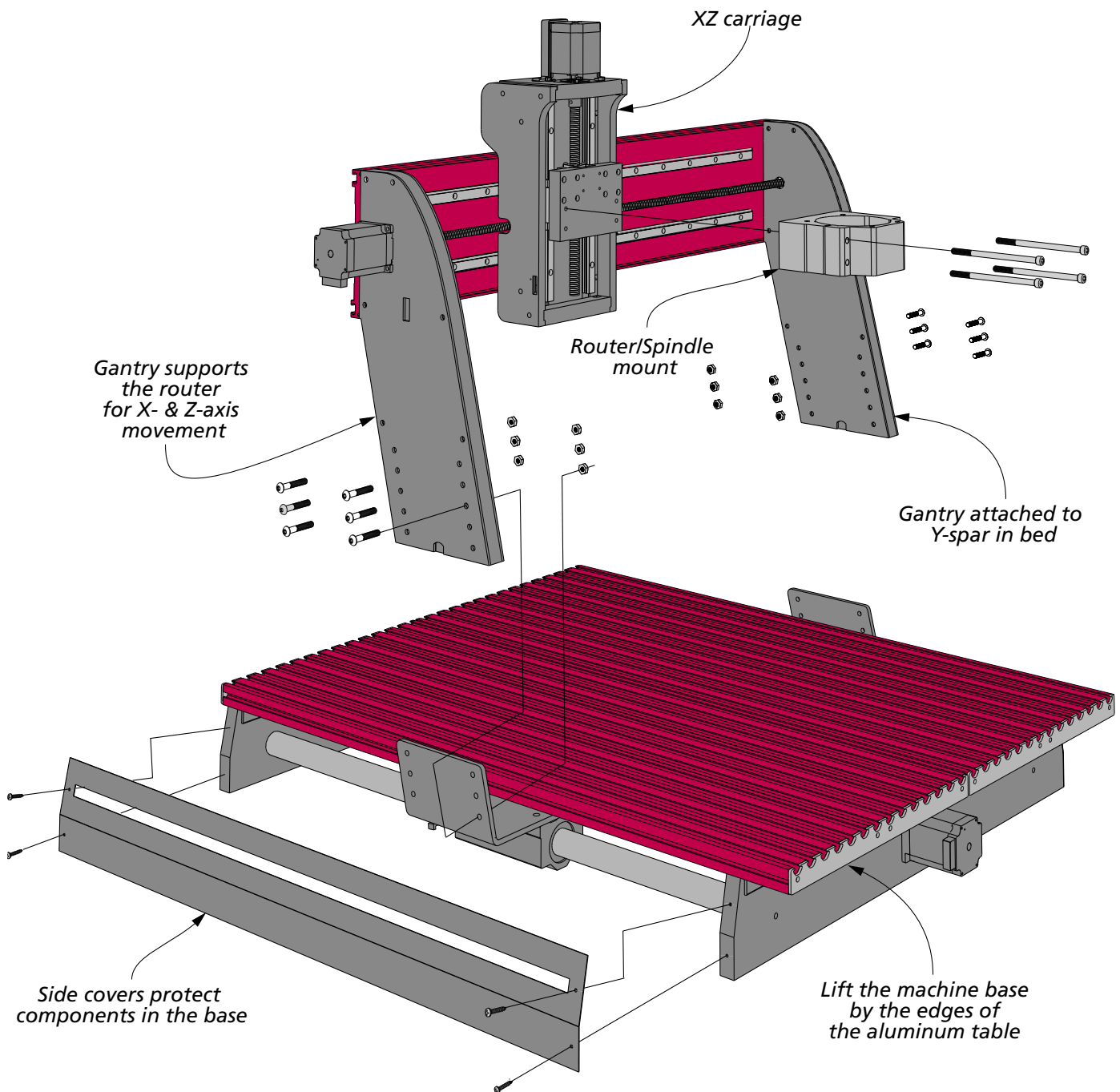


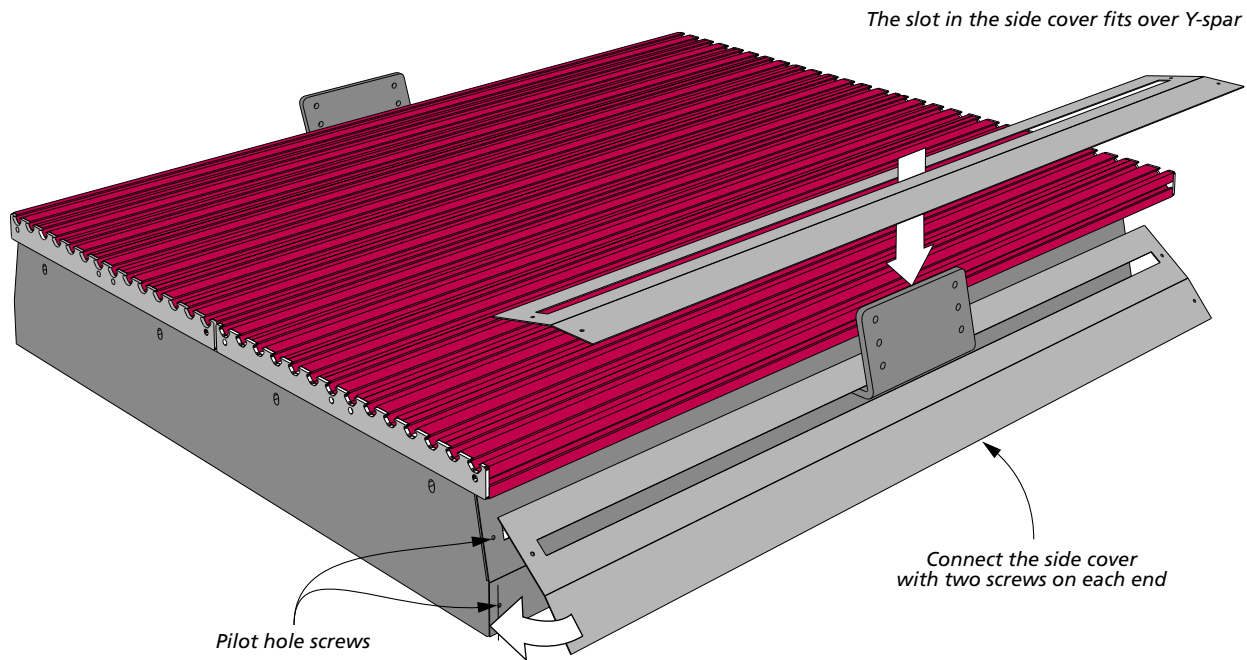
## Assembly Overview

The foundation of your CNC machine is the base. It is specifically engineered to support the other main components. The top of the base also provides a solid, even surface for securing the workpiece before routing or carving.

The gantry is a bridge-like assembly attached to the base. The gantry supports and moves the router. The entire gantry moves front to back on rails in the base while the router rides on a carriage that moves left and right. Your CNC operates on three axes: X, Y, and Z. Standing

at the front of your machine, the X-axis runs left and right. The Y-axis runs front-to-back. The Z-axis runs vertically from the table of the CNC. Understanding these basic elements will go a long way toward helping you understand how to design and make projects with your CNC.





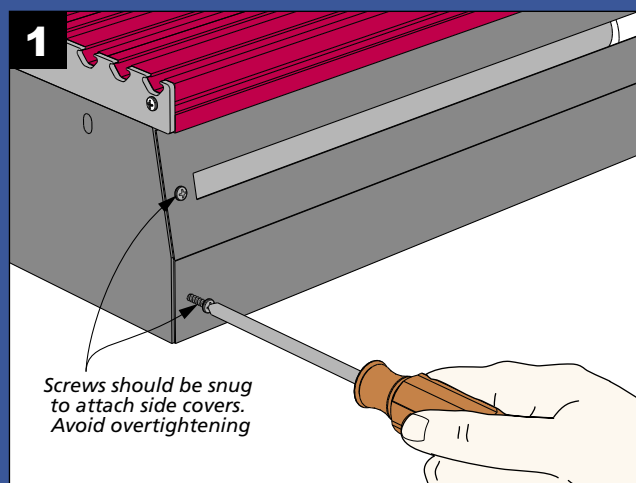
## Adding the Gantry

**SIDE COVERS.** A Y-spar bracket extends from each side of the CNC. The Y-spar moves the gantry in the Y-axis. As shown in the illustration above, slip the slot of the side covers over the Y-spar brackets. Attach the covers to the base with four screws, being sure not to overtighten them (Figure 1).

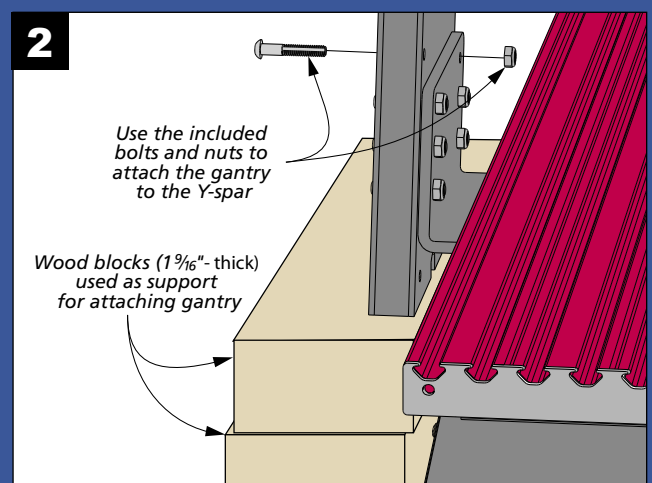
**GANTRY.** As mentioned previously, the gantry supports the router or spindle, moving it in the X and Z directions.

The gantry assembly is heavy, so you'll want to enlist some help. Also, positioning support blocks under each side of the gantry makes the job easier, as illustrated in Figure 2. Attach the gantry to the Y-spars with six bolts and lock nuts on each side (Figure 2). Use the top six holes in the gantry. This is the "low" gantry position. If you need to cut thick material in the future, you can raise the gantry using the lower holes for the "high" gantry position.

## Side Cover & Gantry Install



Fasten the side covers with screws, just snugging them up tight.



Support blocks help align the holes in gantry and Y-spar brackets before fastening it with nuts and bolts.

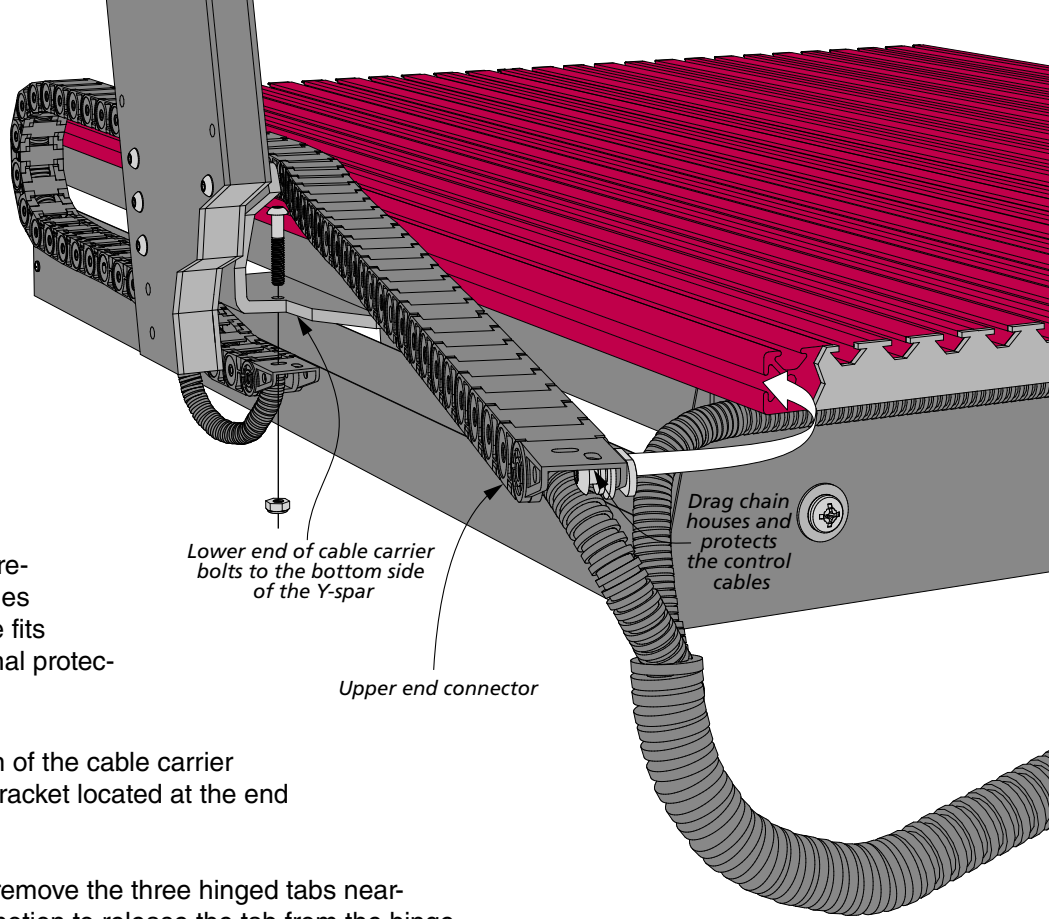


## Installing the Cable Carrier

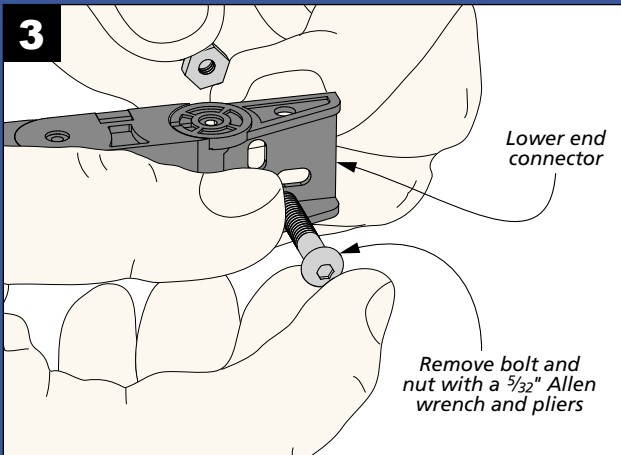
The cable carrier is a hollow, flexible plastic track that resembles a bike chain. Its job is to protect the cables that connect the controller to the gantry. As the gantry moves, the joints in the cable carrier allow it to flex, preventing sharp bends and kinks in the cables that pass through it. A plastic conduit tube fits inside the cable carrier to provide additional protection for the cables.

As shown in Figure 3, start the installation of the cable carrier by removing the screw for the mounting bracket located at the end of the chain.

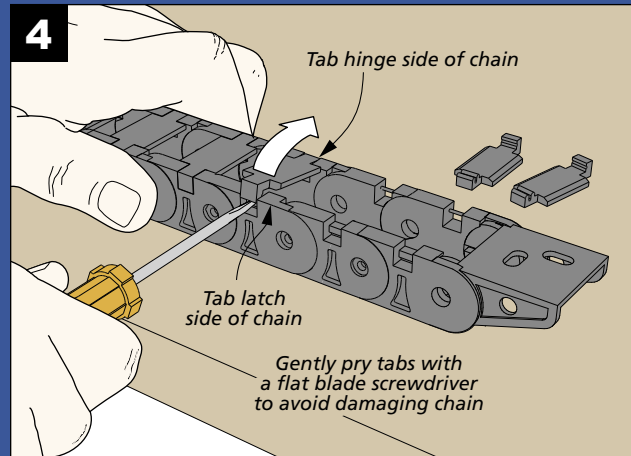
Using a small screwdriver, pry open and remove the three hinged tabs near the mounting bracket with a twisting motion to release the tab from the hinge point (Figure 4). Pop open the remaining tabs on the cable carrier but do not remove them.



## Preparing The Cable Carrier



Remove the bolt and nut from the lower end connector of the chain assembly.



Gently pop open tabs and remove the first three from the chain assembly.

The cable that extends from the bottom of the gantry contains wiring that connects the CNC controller. This cable is housed in and protected from damage by the cable carrier. To make installing the cable into the cable carrier easier, remove the mounting bracket from the end of the cable carrier with a slight sideways twist, as shown in Figure 5.

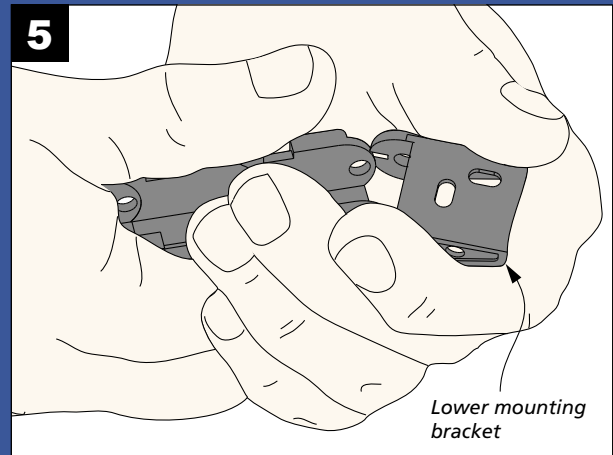
With all of the tabs open on the cable carrier (Figure 6), align and insert the cable. Snap the mounting bracket back in place in preparation for securing the end of the cable carrier to the Y-spar bracket.

Figure 7 shows you how the mounting bracket fastens to the Y-spar. Insert the screw from the top through pre-drilled hole in the horizontal leg of the Y-spar and through the mounting bracket. Install and tighten the nut securely.

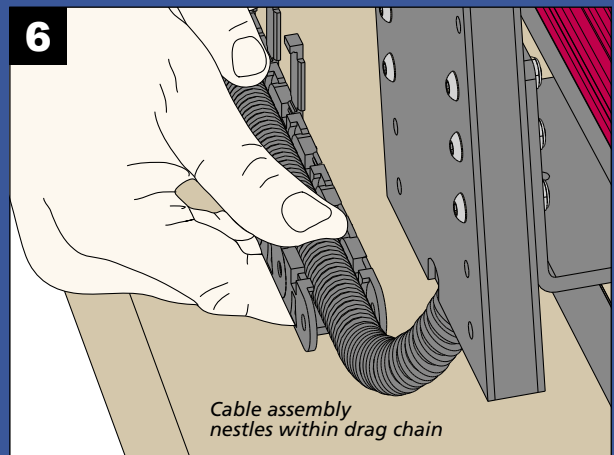


**SHARK**  
World Class. Made in USA.  
**Assembly Video Series**  
How to attach the Drag Chain to the Base  
Watch the how-to video at:  
[www.nextwavecnc.com/support](http://www.nextwavecnc.com/support)

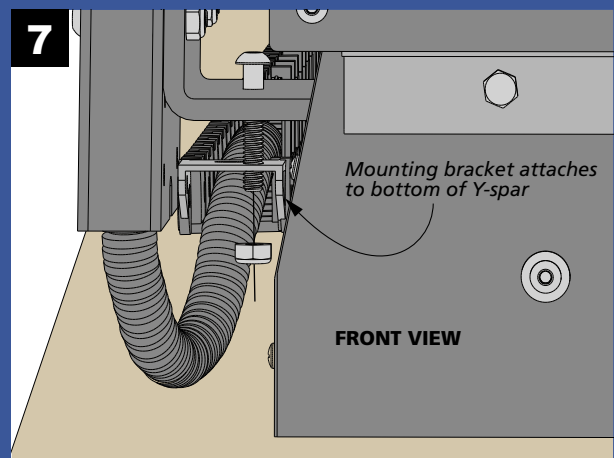
## Chain & Cables



A slight sideways twist is all that is required to remove the lower mounting bracket.



Fit the cable that extends from the bottom of the gantry into the cable carrier.



Secure the mounting bracket to the Y-spar with the screw and nut that was removed in Step 3.

Now that the cable carrier mounting bracket is secured to the Y-spar, go ahead and snap the open tabs closed around the cable, as you can see in Figure 8.

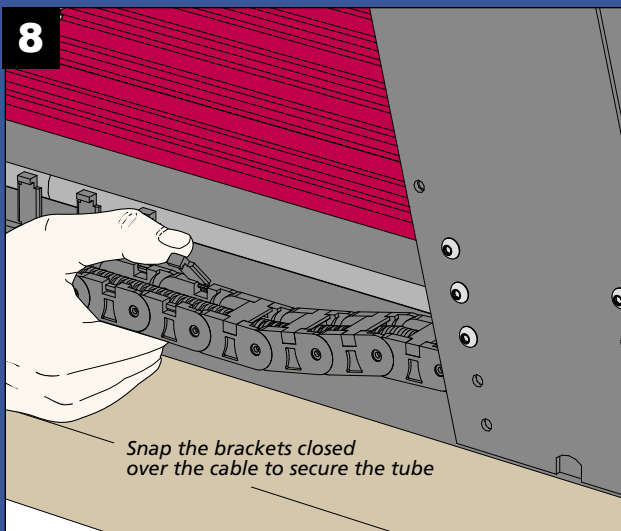
Next comes the task of routing the cable carrier inside the gantry arm and securing it to the CNC base. To do this, flip the cable carrier over itself so that it creates a "C" shape, as in Figure 9. The cable carrier should fit between the base and gantry arm.

To make it easier to secure the cable carrier to the base, remove the screws from the trim piece at the front of the

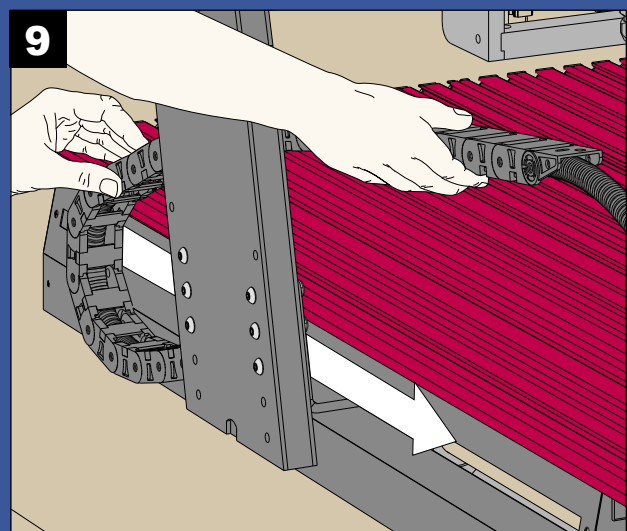
base closest to the cable carrier (Figure 10). This allows you to slide the slot nuts into the T-track on the side of the CNC table. While holding the loose end of the trim piece away from the base, slide the slot nuts into the track on the side of the base. Reattach the front trim piece, then tighten the bolts on the cable carrier using a Phillips screwdriver.

Tidy up the cabling by placing the two smaller cable bundles into the large cable management tube and secure each end with a couple zip ties (Figure 11).

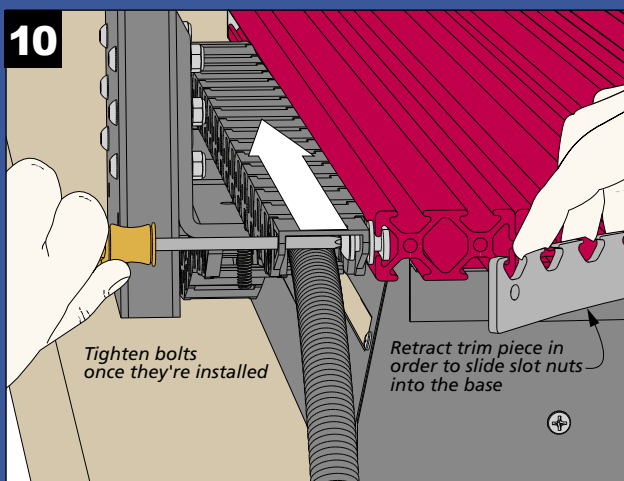
## Attaching the Cable Carrier



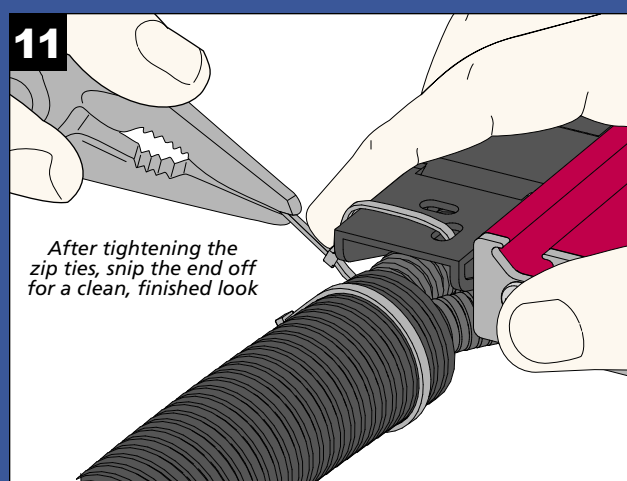
Snap all of the remaining tabs closed to secure the cable.



Route the cable carrier to the inside of the gantry arm to position it for final attachment to the CNC base.



Secure the cable carrier to the slot in the side of the base with bolts and slot nuts.



Insert the two cable bundles into the large cable management tube and clamp tight.

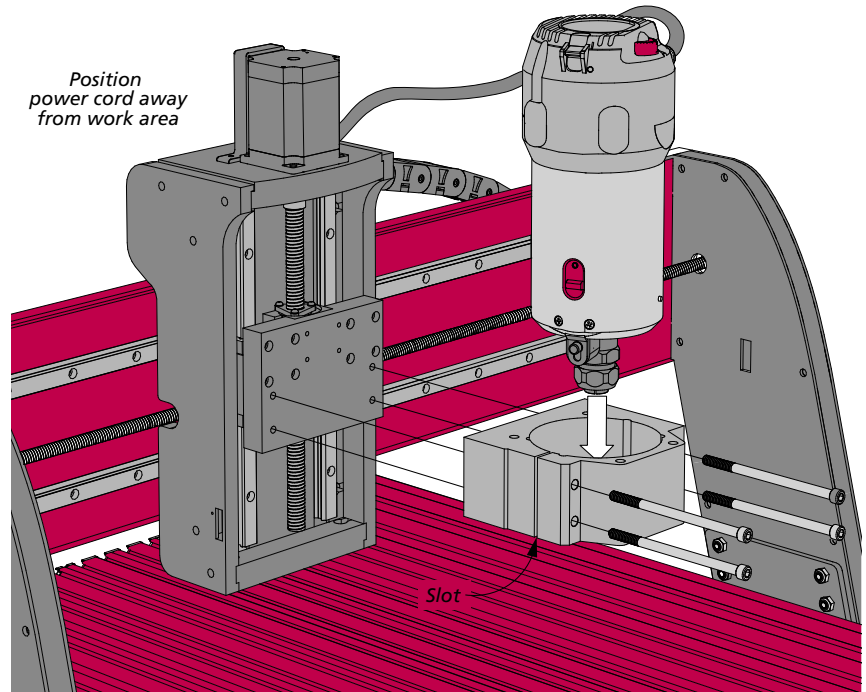
## Installing the Router

The workhorse of the *Shark CNC* is the router or spindle. Your CNC comes with a mount designed to hold a router motor. A 2hp or 3hp liquid-cooled spindle kit is available separately from *Next Wave*. The spindle provides the same functionality as a router, but is quieter and designed for continuous use. The router and spindle both hold the cutting bits that remove and shape the material according to the toolpaths you create in your designs. Whether you're mounting a router motor or a spindle motor, the procedure for attaching the mount to the gantry is the same.

To install the router/spindle, you'll first need to attach the mount to the carriage on the gantry using four bolts, shown in the illustration at right. Tighten the two bolts on the closed (right) side of the mount, but leave the pair of bolts on the slotted (left) side loose for now.

Now insert the router into the mount. Position the collet about  $\frac{3}{4}$ " above the table. This position ensures most router bits will reach the table. You can adjust this height as needed for long bits or thick projects.

Tighten the remaining bolts to ensure the router doesn't move in the mount. If you need to adjust the cutting height of the router later on, simply loosen the two bolts on the slotted side and adjust the position of the router, then tighten the bolts. Zip-tie the power cord to the rear cable carrier to keep it out of the work area. Make sure to leave enough slack at the top to allow the router to move up and down freely.



To install the router/spindle mount on the carriage, fully tighten the bolts on the right side, then insert the router/spindle and tighten the bolts on the slotted side.

## IMPORTANT: READ CAREFULLY

**DO NOT PLUG IN AND TURN ON THE POWER UNTIL AFTER ALL OF THE MOTOR CONNECTIONS HAVE BEEN MADE. DO NOT EVER ATTACH OR DETACH THE MOTOR CABLES WHEN THE CONTROL BOX IS POWERED UP, AS THIS WILL DAMAGE THE ELECTRONICS AND IS NOT COVERED BY THE WARRANTY!**

## Connecting the Cables

As you have discovered by now, and as is shown in the drawing below, there are several electrical connections that need to be made before you can power up your *Shark CNC*. The control box acts as an interface for all of the connections.

Begin by attaching the three motor cables to the control box. Each cable controls a separate motor. The ends of the cords are labeled accordingly. Insert the end of the Z, Y, and X cables into their respective port on the rear of the control box. Secure the cables by tightening the two screws on each plug finger tight. Plug the white RCA cables into the round RCA jacks. These cables control the “homing” function of the CNC, which you’ll learn about later.

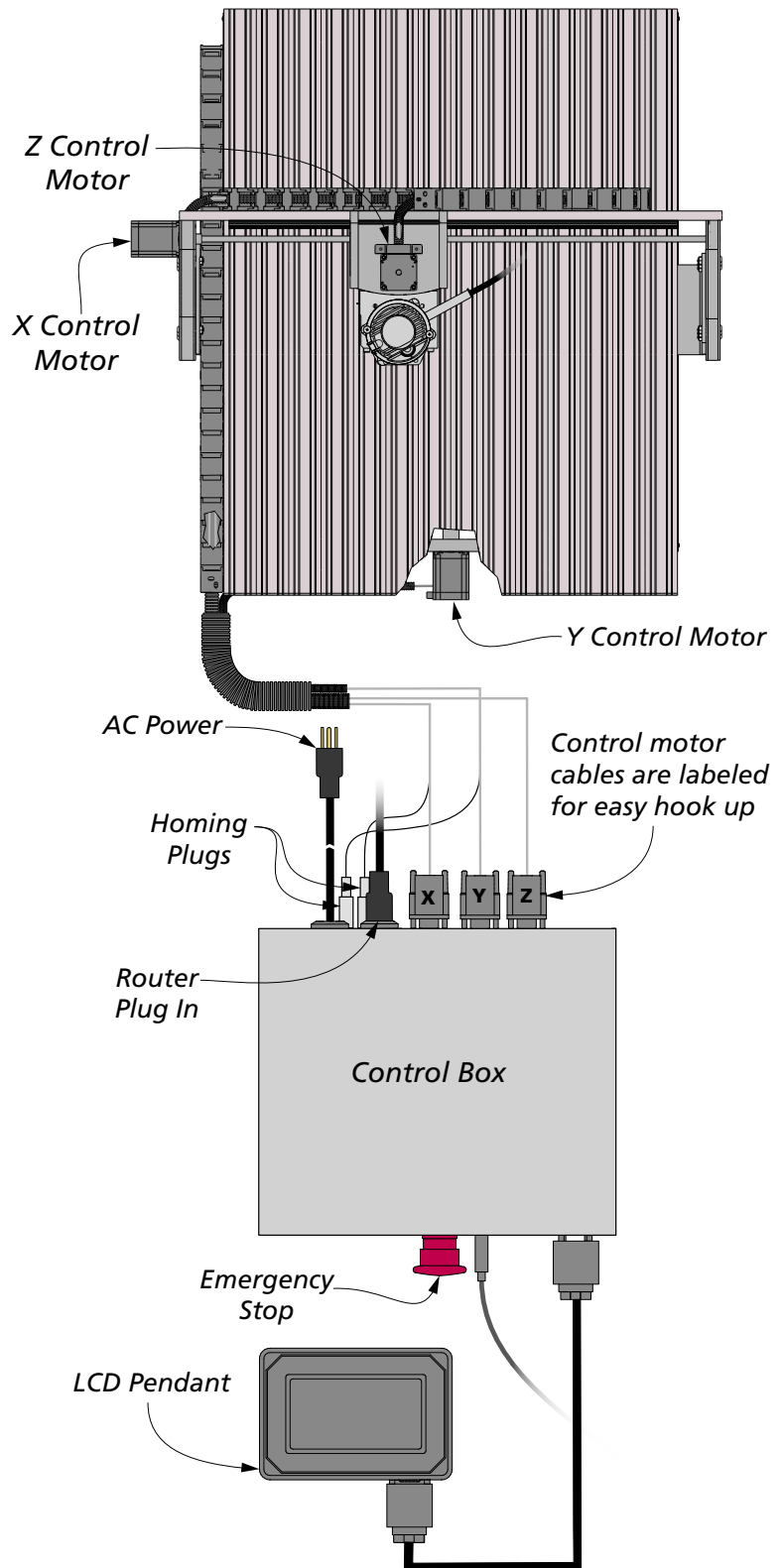
Your router’s power plugs into the back of the control box. The electronics in the control box will power up the router and turn it off as needed. Finish by plugging in the primary AC power cable for the control box into the female connector on the rear of the control box.

**NOTE:** If you have the spindle kit, follow the connection instructions that come with your spindle.

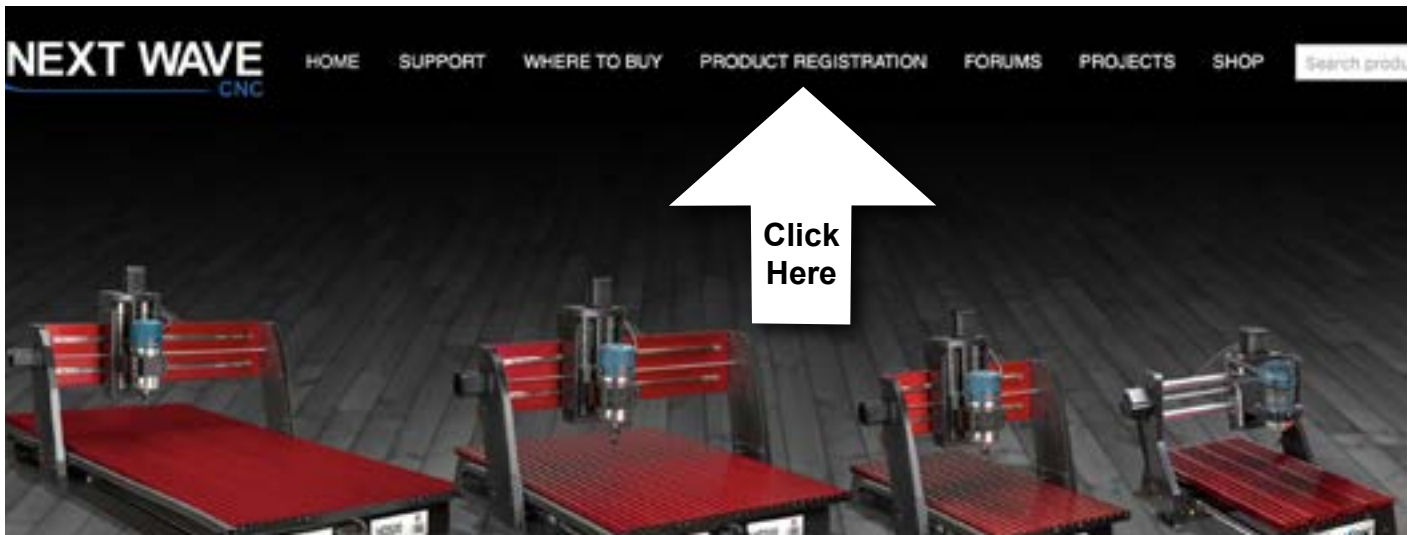
The *Pendant* provides an easy way to interface with the *Shark CNC* for controlling many of its functions. Plug one end of the Pendant cable into the port on the Pendant. Connect the other end to the port on the front of the control box.

It’s best to use a power strip with surge protection for your CNC. This protects it from power spikes that might interrupt the operation of the CNC. If you need to use an extension cord, we recommend a heavy-duty 12/3 cord. Plug the control box into the power strip. Now you can power up the control box with the switch on the rear of the box. To ensure that power is flowing to the machine, double check that the emergency stop is turned to the left and the button is popped out (pushing it turns it off). You can power down the CNC using either of these switches.

## Wiring Schematic







## Pendant Registration

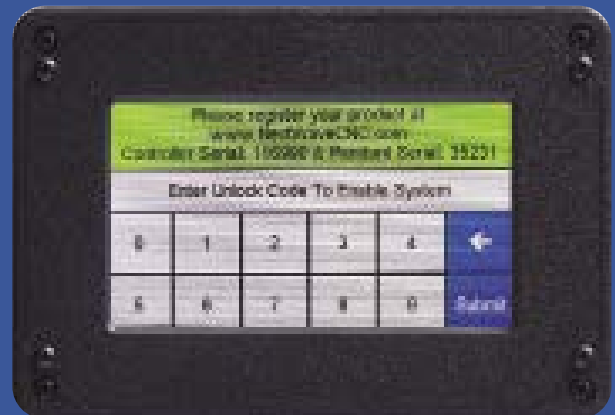
Before continuing the setup of your *SHARK HD CNC*, register your machine online by navigating your web browser to *NextWaveCNC.com*. Click on the **PRODUCT REGISTRATION** tab at the top of the screen (see above).

Once you complete the registration the unlock code will display on your computer screen. (An account confirmation will also be sent to you email.) Use the number keys on the Pendant to enter your Unlock (Access) Code.



For complete and detailed instructions on using the Control Pendant, refer to the Pendant User's manual.

## Registering the Pendant



Unlock the Pendant by entering the access code you received upon registration.



After successfully unlocking the Pendant, you're ready to control your *SHARK HD CNC*.

## **Our 12 Golden Rules for Safety**

- 1.** Read, understand, and follow the safety and operating instructions before using your *SHARK CNC*.
- 2.** Take time to fully understand how to safely operate your *SHARK CNC*.
- 3.** Setup your *SHARK CNC* following the instructions in this manual.
- 4.** Always wear appropriate eye and hearing protection when operating your *SHARK CNC* and accessories.
- 5.** Machine only non-ferrous metals with your *SHARK CNC*.
- 6.** Never attempt to adjust the workpiece or move the *SHARK* while it is running.
- 7.** If needed, use the Cancel or Pause buttons to Stop or Pause your *SHARK CNC* during an operation.
- 8.** Never leave your *SHARK CNC* unattended while it is running.
- 9.** While operating your *SHARK CNC*, keep a multi-purpose, dry-chemical fire extinguisher nearby. It must be rated for both A & C fires.
- 10.** For added safety and convenience, connect your *SHARK CNC* to a 110-115V surge-protected power strip with an on/off switch. This provides an additional way to turn off the machine in case of an emergency.
- 11.** Follow all Safety instructions provided with your *SHARK CNC* and accessories.
- 12.** Follow all accepted and recommended safety precautions and practices for woodworking and machining.

## Stop Your CNC Router Fast!

Every CNC user experiences times when the machine seems to have a mind of its own. This can be caused by errant tool paths in the design file, power surges, broken tools, or any number of other reasons.

1. First, you can use the Pendant to stop the machine. Simply press the red STOP button on the Pendant screen. This stops the CNC's movement and turns off the router/spindle.

2. The second option for quickly stopping the CNC operation is to press the large, red Emergency switch on the front of the control panel.

3. You can also use the power switch on the rear of the control box to shut down the system.

4. If you have the control box plugged into a switched power strip, you can also power down the machine in an emergency by turning of the power strip.

**IMPORTANT NOTE:** If you stop your CNC using any of these methods, you will need to restart the cutting from the beginning of the file, since the cutting progress and machine positions are lost during an emergency shut-down.

Once you are familiar with the locations of these switches, you'll be ready to use them if and when you need them in the middle of a routing project.

Methods 2, 3, or 4 also work to shut off your machine at the end of the day.

## 4 Ways to Shut It Off



## Basic Pendant Functions

The Pendant has many great functions to control the *SHARK HD CNC*. But you only need to learn a few basic operations to get started.

**JOG AND SPEED SETTINGS.** Let's start with learning how to move (jog) the router. Jogging the router allows you to move it out of the way or to another location. This comes in handy for locating or removing clamps on the workpiece, changing router bits, or setting up start points for the router to run a routine.

First, look at the main screen (Figure 1) and identify the jog keys. They are quick to identify when standing in front of your CNC and are intuitive to use. You can jog the router right or left in the X-axis, toward you or away from you (Y-axis), or up and down in the Z-axis. You control the speed of the jog from fast to slow by using the speed key on the right side of the Pendant screen (red arrow). Pressing this key repeatedly cycles between Fast, Medium, and Slow jog speeds.

Take some time to experiment with moving the spindle around. Jog the router to get a feel for the different speeds. Take special note of the position readouts at the top of the Pendant screen. Try to stay within the limits of the machine. If the router travels and bumps against the limits, you may here a “grinding” noise. Don't be concerned—the noise is the sound of the internal motor magnets electronically skipping over each other. This does not cause any damage, but it's good practice to avoid hitting the travel limits of your machine.

**ZERO X- & Y-AXES.** Another function of the Pendant is the “Zero XY” function, as shown in Figure 2. This sets the current position of the router as a zero, or origin point for the X- and Y-axes.

Origin points are typically used as a starting point to run a cutting routine. Often the center of a workpiece or the lower left corner are used as a starting point for the X- and Y- axes. The Z-axis origin is usually set from the top of the workpiece. We'll cover setting the Z-axis on the next page. For now, practice setting up for a cut by experimenting with moving the spindle to a number of locations and zeroing the X- and Y-axes.

**MOVE TO THE ORIGIN.** Another useful Pendant function for moving the router is the “MV 0,0” key ( Figure 3). Pressing this key with a short press or single tap automatically moves the router to the X- and Y-origin point you have previously set. Set a new origin point and give it a try. Using a long press/double tap moves the spindle to the original X-, Y-, and Z position.

## Make It Move

1



Changing the location of the router is easy with the easy-to-use *Pendant* interface.

2



The *Pendant* makes it easy to set a new X, Y, and Z origin for the router's location.

3



Use the MV 0,0 button to move the router back to the previously set origin.



Most of all, have fun! Experiment with the basic Pendant functions to get familiar with how your *SHARK HD CNC* moves and sounds.

Learning to zero the X-, Y-, and Z-axes is an important skill for accurate work. You can zero the Z-axis manually or automatically with the help of the *Next Wave CNC Touch Plate*, available as an add-on accessory (see figure 6 below).

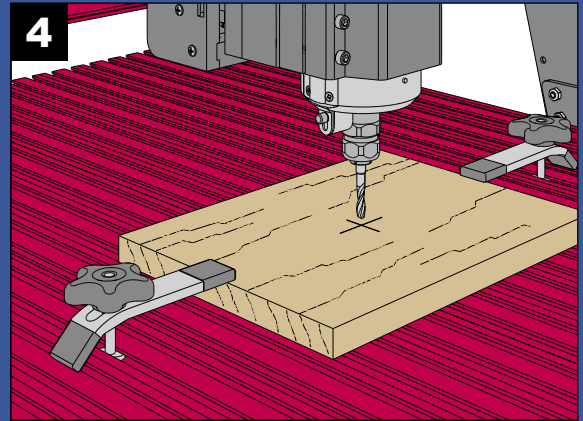
**ZERO THE Z-AXIS MANUALLY.** Setting the Z-axis zero point manually is an easy process. First, install the router bit you'll use for the project into the collet of the router. Begin by moving it to the marked center of your workpiece using the jog functions shown on the opposite page. Change the jog speed on the Pendant to "Slow." Carefully move the bit over the center mark on the workpiece by using the X- and Y- jog keys. With the bit centered over the workpiece, press the "Zero XY" key to zero the X- and Y- axes.

To zero the Z-axis, lower the bit to within about  $\frac{1}{2}$ " of the top of the workpiece and set the jog speed to slow. Slide a piece of paper underneath the bit and move it back and forth as you tap the "Dn Z" key to gradually lower the bit. When the bit starts to "grab" the paper, stop. Press the "Zero Z" key again, then raise the router bit approximately  $\frac{1}{2}$ ". At this point, all three axes are calibrated.

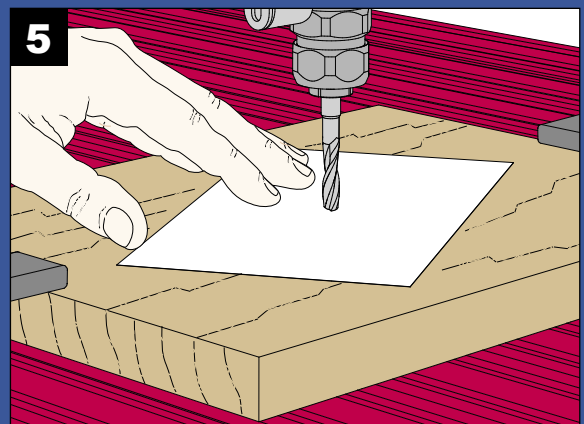
**USING THE CNC OPTIONAL TOUCH PLATE.** Using the CNC Zero Touch Plate accessory is a fast and accurate way to zero the Z-axis, as shown in figure 6. Begin by plugging in the lead into the Pendant. Position the Touch Plate under the router bit. Attach the magnet on the end of the lead to the collet or bit.

Press the "Plate" key on the main screen of the Pendant and follow the steps listed. When the router bit comes into contact with the Touch Plate, this completes an electrical connection to indicate the zero position of the Z-axis. The bit automatically retracts to a safe height.

## Manual Setup

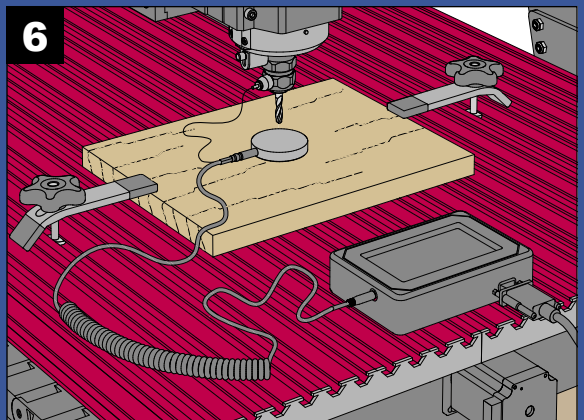


Zero the X- and Y- axes first by jogging the bit until it's positioned over the center of the workpiece.



Gradually lower the bit until it just starts to touch a piece of paper placed on the workpiece.

## Optional Zero Touch Plate



The CNC Touch Plate has a single lead on one end of the cord. Plug this into the side of the Pendant. Position the CNC Touch Plate under the router bit and attach the magnet to the collet nut or side of the bit.





## Installing VCarve Software

Using a CNC router is unlike any other powered wood-working tool—you can't just power it on and put to use right away. Making projects with the CNC is a little more involved. The CNC must be programmed with instructions that define the router bits, toolpaths, and cutting speed to be used for your project.

For your own creations using the *SHARK CNC*, the first thing to do is design your project. Then you define the tools and toolpaths that will be used by the CNC to cut the workpieces

**VECTRIC VCARVE.** Your *SHARK CNC* comes with a license for *Vectric VCarve* design software. This powerful and user-friendly software unleashes your creativity. For system requirements, visit:  
[vectric.com/support/system-requirements](http://vectric.com/support/system-requirements)

There are a number of steps involved in installing, registering, and configuring *VCarve* so be patient, go slow, and remember that you only have to do this once. Step-by-step instructions start on the next page.

**NOTE:** During the installation process, you're required to register *VCarve* twice. The first time, you'll use the Username and License Code printed inside the box lid. Then you'll need to register again using your personal Username, and a new License Code that is emailed to you from *Vectric* after the first registration. This process is shown in the steps that follow.

*Vectric* offers excellent instructional tutorials and customer help at *Vectric.com*. Take advantage of this valuable resource.

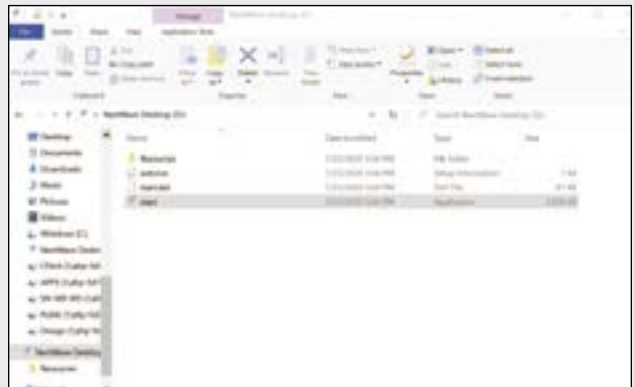
### Important –Please Read

Installing and registering the *VCarve* software requires several steps. The instructions in this section show the typical installation and registration process. Following these steps will result in a successful installation. However, variations in security settings, virus protection and operating systems can prevent a smooth installation. The process may also vary due to any changes to the installation process occurring after this manual was printed. If you experience problems installing *VCarve* on your computer, first try repeating the process. If the problem persists, email [Register@Vectric.com](mailto:Register@Vectric.com) for assistance. *VCarve* is supplied and supported by *Vectric, LTD*. They are best suited to help you with software installation problems. For design support and training with *VCarve*, visit [www.vectric.com](http://www.vectric.com) and click on the Support Tab for information and video tutorials. You can also email your *VCarve* questions to [support@vectric.com](mailto:support@vectric.com).

## Software Installation Process



**STEP 1.** Insert the VCarve USB-A drive into a USB port on your computer.



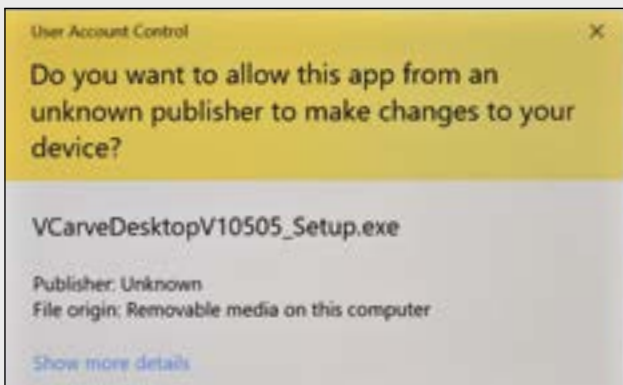
**STEP 2.** Using File Explorer, navigate to the USB drive and double-click on the file *setup.exe*.



**STEP 3.** Click on *Design & Toolpath Software* to install Vectric Vcarve on your computer.



**STEP 4.** Click on *INSTALL SOFTWARE* to begin the installation.



**STEP 5.** A box will pop up (appearance may vary) asking if you want to allow this software to make changes on your computer. Click *OK*.



**STEP 6.** Choose your preferred language from the pull-down list and select *OK*.

## Software Installation Process *continued*



**STEP 7.** Follow the instructions on this pop-up and select *Next*.



**STEP 8.** Read through the license agreement and select *I Agree* to continue the software installation.



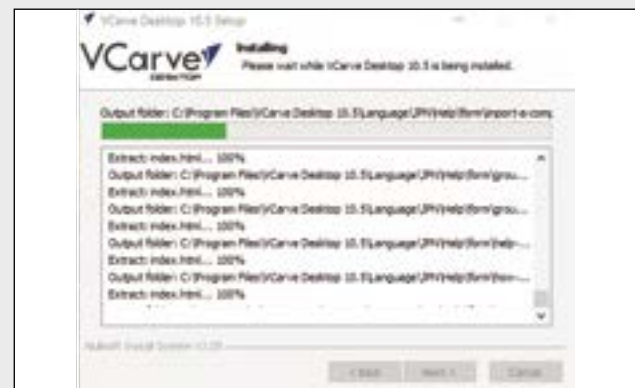
**STEP 9.** Ensure that *Shell Extension* is selected then click *Next*.



**STEP 10.** Using the default location on your computer is recommended, but you can use the *Browse* button to select a different location. Click *Next* to continue.



**STEP 11.** Accept the default *Start Menu Folder* by clicking on *Install*.



**STEP 12.** Wait until the installation process is complete before clicking on *Next*.

## Software Installation Process *continued*



**STEP 13.** With the box labeled *Run VCarve Desktop* checked, press *Finish* to start VCarve.



**STEP 14.** To begin registering the software, choose *Offline* then click *Next*.



**STEP 15.** You'll be entering your license information from the box lid, so select *Manual* and press *Next*.



**STEP 16.** Choose *Enter User Name & License Code*, then enter the *Registered User Name* and *License Code* from inside the box lid.



**STEP 17.** Click *Finish* to proceed to the *Personal Registration* screen.

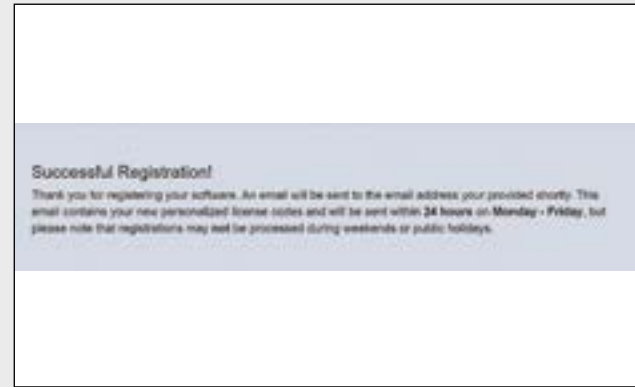


**STEP 18.** You've registered the *Next Wave* version of the software, now you need to enter your personal registration information by clicking *Register Now*.

## Software Installation Process *continued*



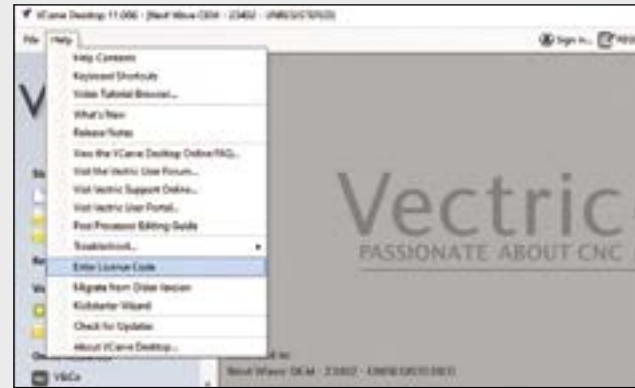
**STEP 19.** Select the option for personal use under *Registration Type* and enter your *Contact Details*. Click *Submit Registration Request*.



**STEP 20.** If you have successfully registered the software, you will see this screen.



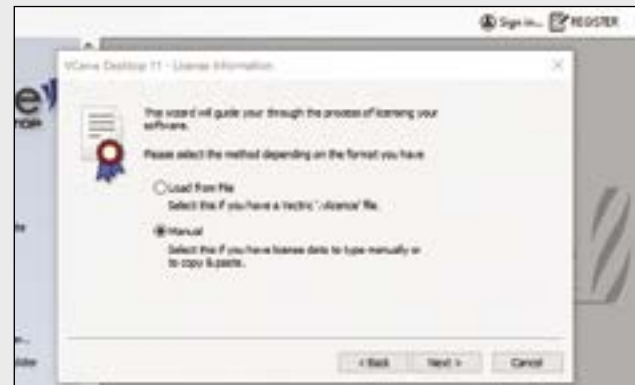
**STEP 21.** You will receive an email from *Vectric* that contains the registration information you need to license the software under your personal user name.



**STEP 22.** In *VCarve*, you may see a pop-up dialog box asking for your license code. You can also select *Enter License Code* from the *Help* drop-down menu.



**STEP 23.** Since you'll be entering the license information from the email you received from *Vectric*, select *Offline* then click *Next*.



**STEP 24.** You'll be able to copy and paste your license code from the email, so choose *Manual* and click on *Next*.



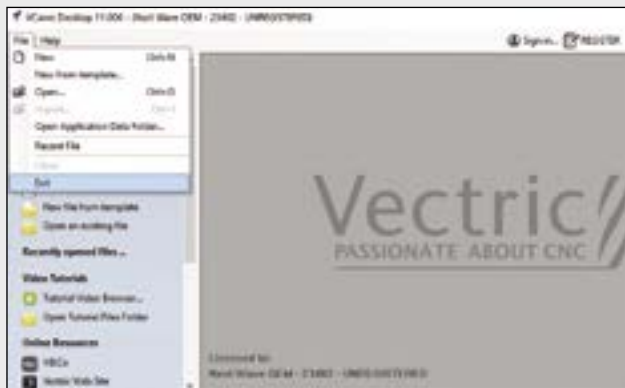
## Software Installation Process *continued*



**STEP 25.** Choose the option to *Enter License Data* then cut and paste the license information from the email you received. Click *Next*.



**STEP 26.** The license information shows your user-name. Check the box *Restart Now* then click *Finish* to restart VCarve.



**STEP 27.** If you click *Finish* in Step 26 without checking the box *Restart Now*, you can simply choose *Exit* from the *File* pull-down menu to exit VCarve.



**STEP 28.** After restarting VCarve you should see your username at the top of the screen and under *Licensed To* in the opening window.

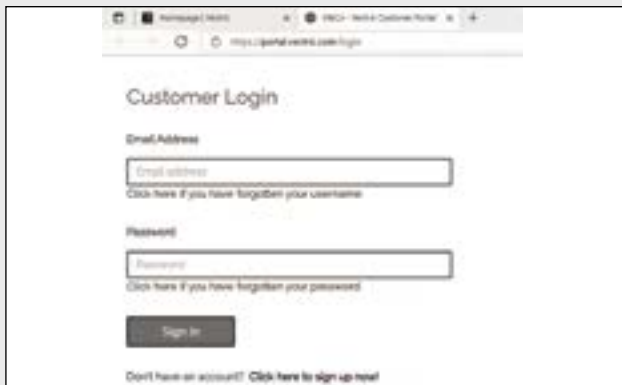
## Opening a Vectric Account



**STEP 1.** At *Vectric.com*, click *Login to V&Co* to create a portal account for access to special content downloads, software updates, and technical support.



**STEP 2.** If you have an existing *Vectric* account, log in here (See Step 3).



**STEP 3.** If you have an account at *Vectric.com*, enter your username and password. If you're a new user, scroll down and select *Click here to sign up now!*

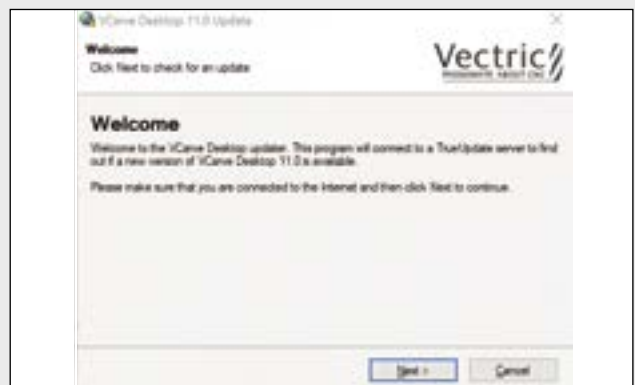


**STEP 4.** For setting up a new *Vectric* account, enter your contact information and password, accept the *Terms & Conditions*, and click *Sign Up*.

## Updating Vectric VCarve

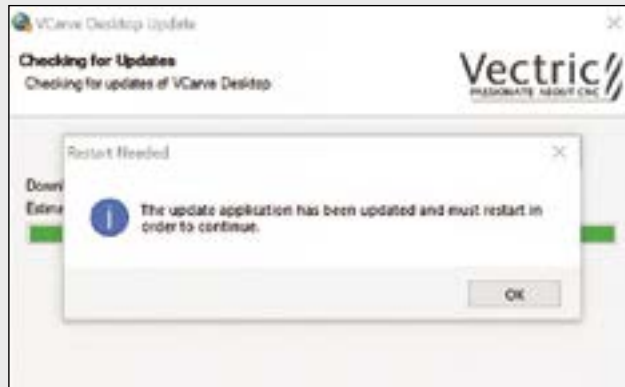


**STEP 1.** If software updates are available, an update notice appears in the upper right corner of the screen when you open *VCarve*. Click it to install the update.



**STEP 2.** Your system must be connected to the internet to download updates. When you click *Next*, the system checks for any available updates for *VCarve*.

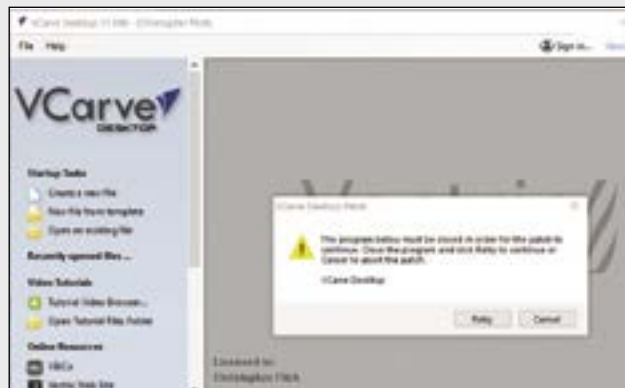
## Updating Vectric VCarve *continued*



**STEP 3.** If there is an update for the software that checks for and delivers the VCarve updates, it will be installed first. Click *OK* to continue.



**STEP 4.** Any updates for VCarve will be displayed. Click *Next* to install the update.



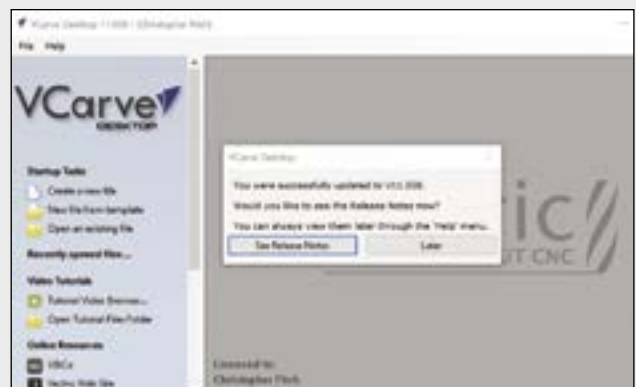
**STEP 5.** In order to properly install the update, VCarve must be shut down. Click *Retry* to continue installing the software update.



**STEP 6.** This informational dialog will appear. Simply click *Start* to continue installing the software update.



**STEP 7.** After the software upgrade is installed, press *Finish* to continue using VCarve.



**STEP 8.** If you're interested in all of the features or software bugs that were addressed with the update, click on *See Release Notes*. Otherwise, click *Later*.

## A Productive VCarve Workflow

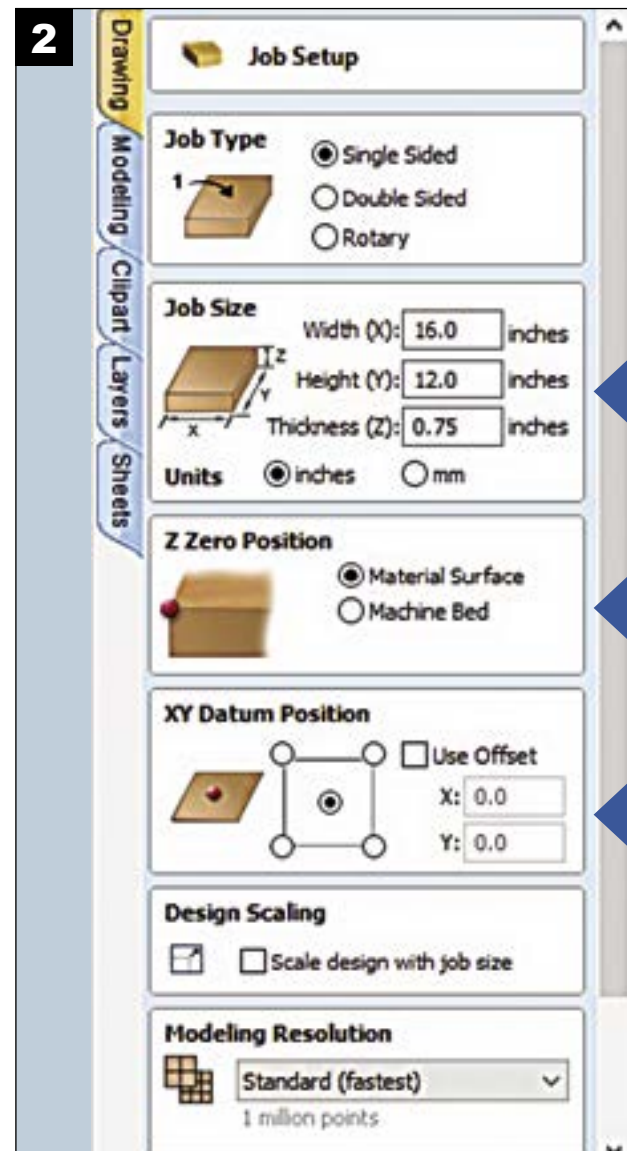
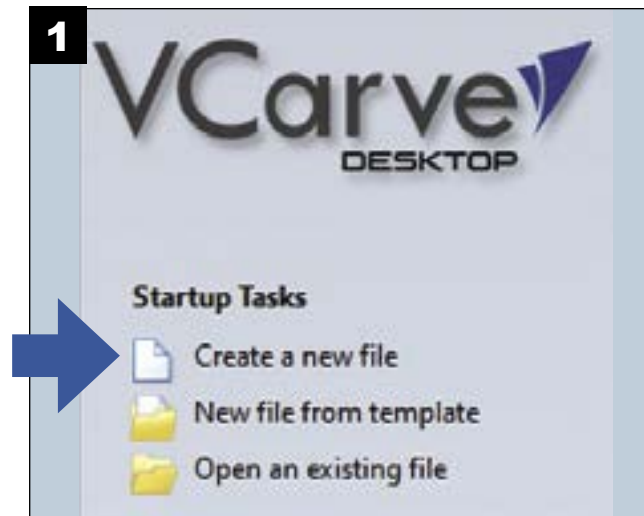
Now it's time to learn how to create your own projects and the .tap files needed to cut them using the powerful tools in VCarve. Let's take a look at how the process works.

To create a new design in VCarve, select Create a new file from Startup Tasks (Figure 1). A Job Setup dialog box allows you to set up parameters for the project (Figure 2).

Let's begin by entering the width, length and thickness of the project. Be sure to think about how the workpiece will be secured to your machine, as you may need to make the material larger to accommodate hold downs.

The Z Zero and XY Datum Points are important references to orient the CNC machine correctly to the workpiece. For this project example the Z Zero is on top of the materials surface and the XY Datum Point is in the center of the project. This is how the example projects listed later in the manual are set up.

Click OK to save and exit the Job Setup window.



## Drawing Tools

Understanding how to use drawing tools is one of the biggest parts of the CNC learning curve, but there are many resources available to help you master VCarve. You can find a complete listing of resources at [Vectric.com](http://Vectric.com) and [nextwavecnc.com/Webinars](http://nextwavecnc.com/Webinars).

Once you have a basic understanding of the drawing tool groups, dive in and start working with them. If you need a place to start as you learn, one way is to use the clip art that comes with VCarve, or to import a drawing that you can trace over. Add a frame and some text and you've got a project (Figure 3 below).



## Toolpaths

Use the toolpath tools to assign router bits to the lines in your drawing. This process begins by highlighting the lines on the drawing which will become the toolpath (Figure 4 at right), choosing the type of cut (profile, pocket, or V-carve for example), (Figure 5 next page) and selecting the router bit that will be assigned to the cut.

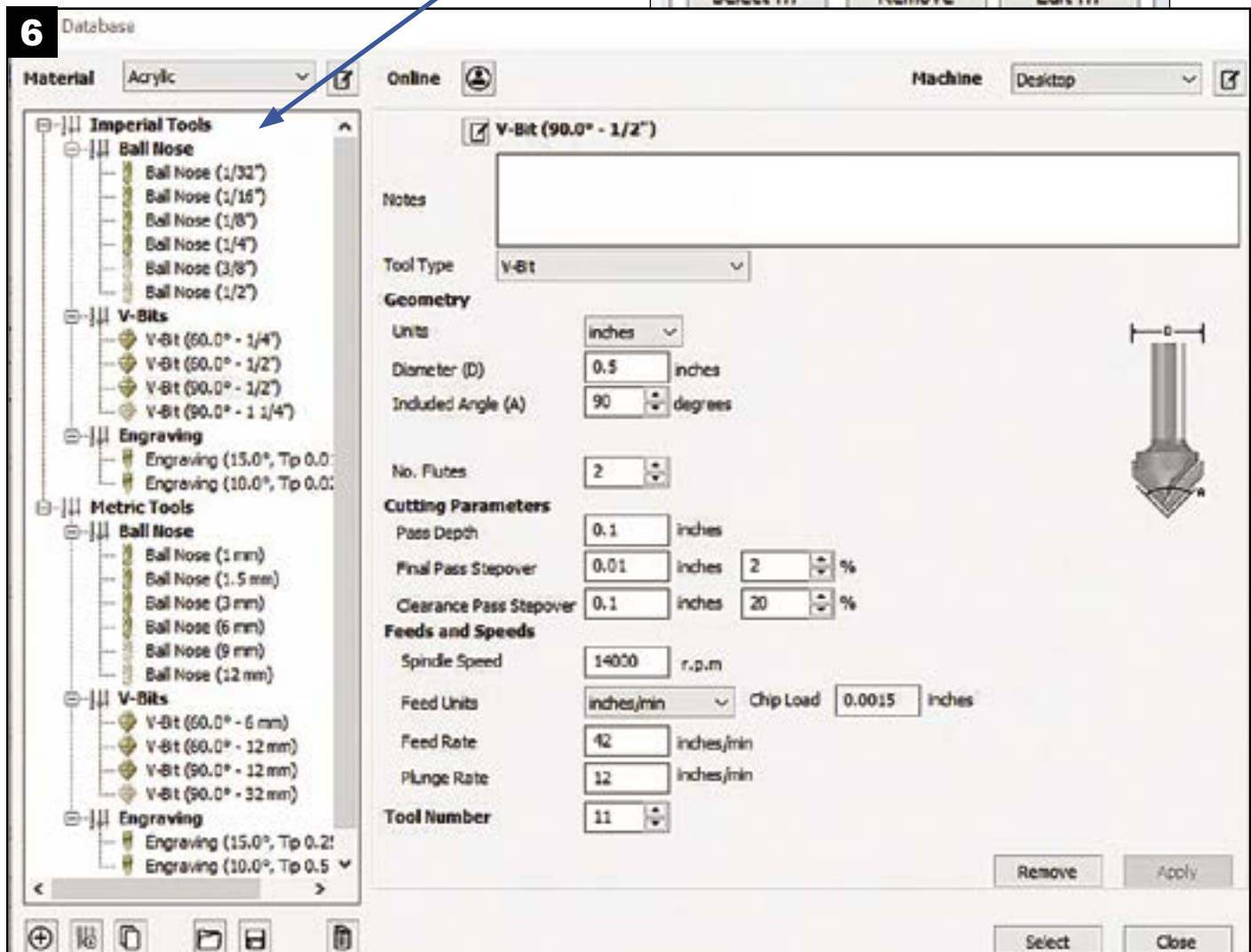
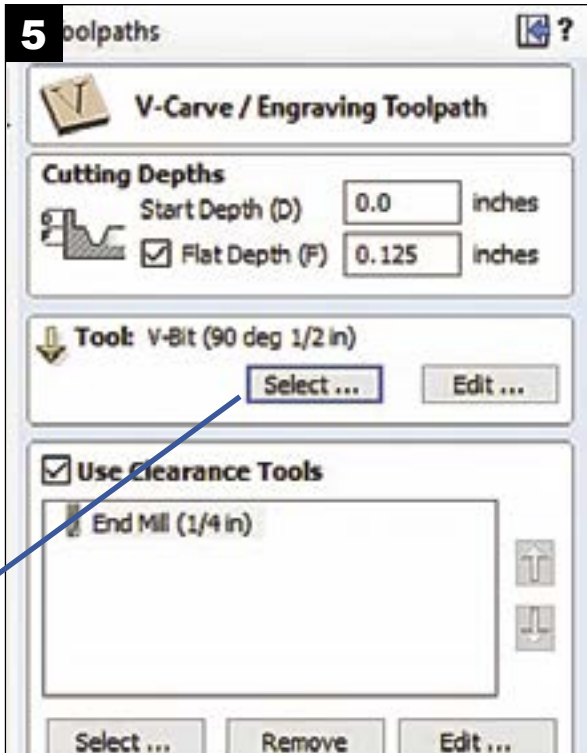
Learning to setup the various parameters for router bits is the other big challenge in learning to use a CNC router. VCarve has a Tool Database with many common router bits listed and default settings for each (Figure 6 next page), however every project is different and may require you to change the parameters.





The settings listed below work well as a starting point for most bits and materials. For some bits and materials, you may want to use more or less aggressive settings than shown below. Practice on spare material to fine tune these numbers to ones that work best for you.

- All bits - Pass Depth 0.05 to 0.125 in.
- All bits - Feed Rate 50-120 ipm
- All bits - Plunge Rate 50-80 ipm
- Straight bit Step over 10% - 40%
- V-bits - Final pass 2%
- V-bit - Clearance pass 20%
- Ballnose bit - 3D finishing pass 7-11%



## Preview & Save Toolpaths to Thumbdrive

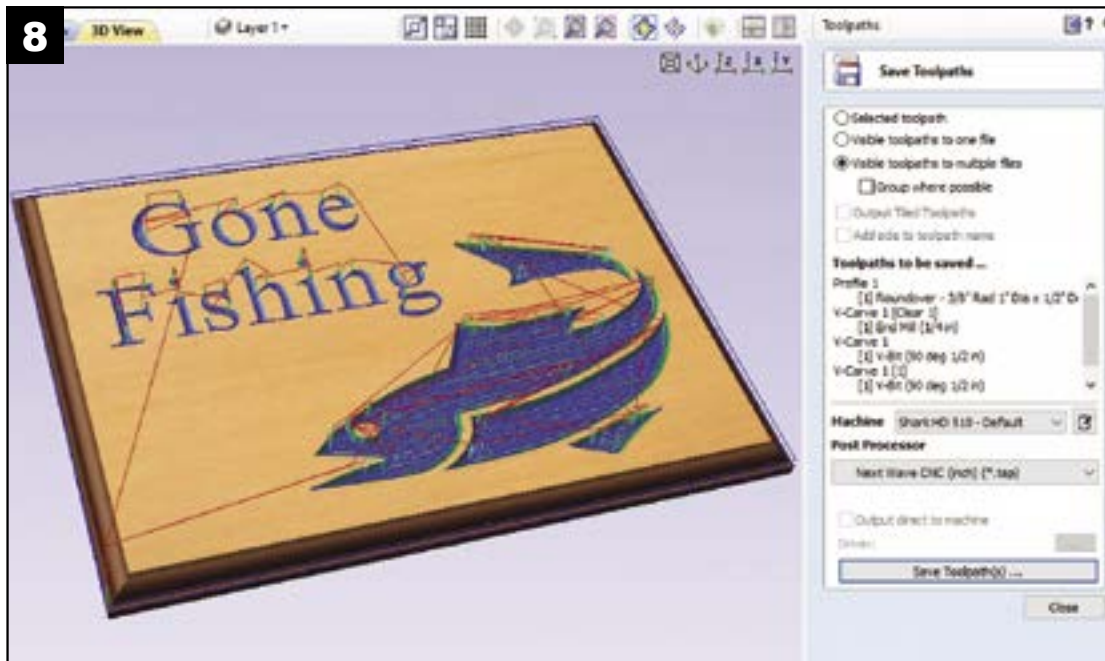
The preview window in VCarve is an important tool in the process to make sure that the toolpaths you have created are cutting where you want them to cut. The window displays the completed project in 3D and allows you to rotate and inspect it (Figure 7 below). If something doesn't

look right in the Preview Toolpath window it means that something is probably wrong with one or more of your toolpaths. To correct the problem you may need to adjust the settings in the toolpath or make changes to your drawing in the 2D window.



Check the toolpaths you wish to save and select the Post-Processor that matches your machine. For your Shark CNC router select the Next Wave CNC (\*.tap) post processor. The post processor converts the VCarve drawing and toolpath selections into a file that tells your

CNC machine where to move. The code file has a .tap extension and is commonly referred to as a .tap, G-code or cutting file. Finish by pressing the Save Toolpath key and saving the file to a thumb drive (Figure 8 below).



## Setting Up Your HD Machine for Cutting

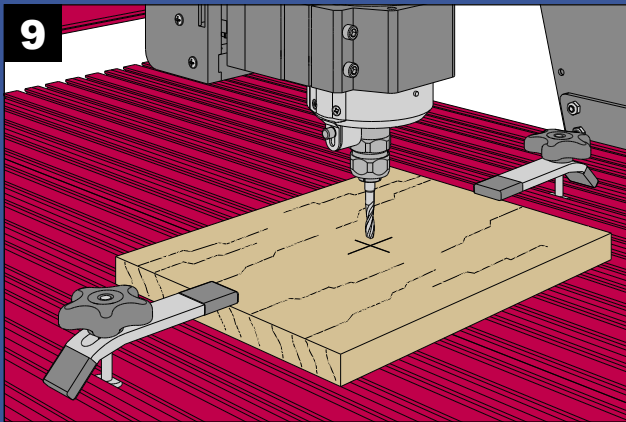
Mark the XY Datum position on your material and secure it to the machine bed of your router. In our example the XY Datum point is specified as the center of the material, but you can choose any of the four corners as well.

After installing your preferred router bit for the first cut, use the X- and Y- jog keys in the jog function of the Pendant to move the router close to the XY Datum mark. Change the jog speed to "slow" and position the router bit directly over the mark (Figure 9 below). Press the "Zero XY" key to zero the X- and Y- axes.

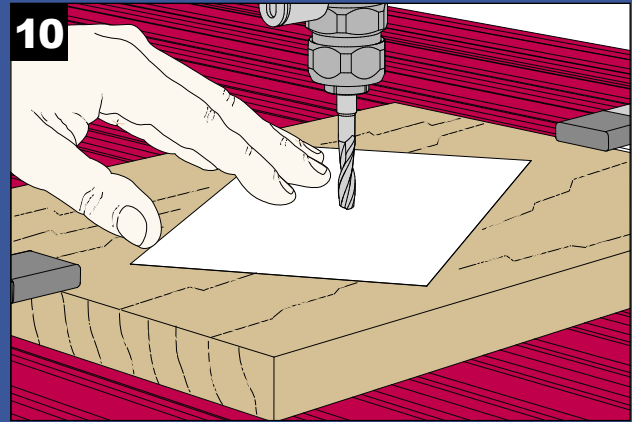
To zero the Z-axis, lower the bit to within  $\frac{1}{2}$ " of the top of the workpiece and set the jog speed to slow. Slide a piece of paper underneath the bit and move it back and forth as you tap the "Dn Z" key to gradually lower the bit. When the bit "grabs" the paper, stop. Press the "Zero Z" key and raise the router bit approximately  $\frac{1}{2}$ ". Now all three axes are calibrated.

Now insert the thumbdrive into the *Pendant* and press the USB key to open the file selection menu. Press on the project .tap file you want to cut (Figures 11 & 12 below).

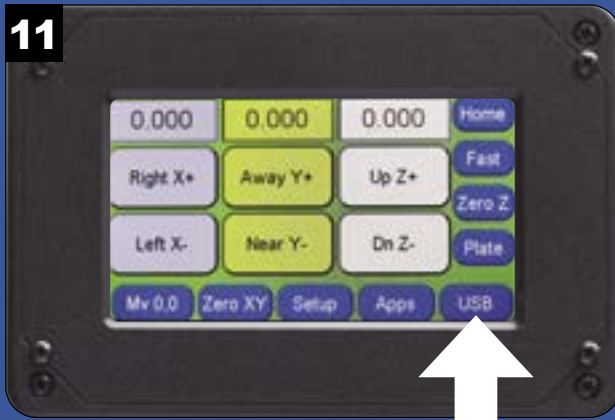
### CNC Setup



9 Zero the X- and Y- axes first by jogging the bit until it's positioned over the center of the workpiece.



10 Gradually lower the bit until it just starts to touch a piece of paper placed on the workpiece.



11 After inserting the flash drive into the Pendant, press the "USB" button to select the project file.



12 From the list of available projects, select your chose .tap file to proceed.

**If you experience issues with your VCarve software please contact Vectric for help at [support@vectric.com](mailto:support@vectric.com)**



## Finishing the Job

Preview the settings to make sure you've selected the right .tap file, and that the settings match how you have prepared the V-Cave file and your CNC machine (Figure 13). If everything checks out, press Next.

Review the safety check lists from page 33, 35, or 37, turn on your router and press Start. Your *Shark CNC* rou-

ter will begin cutting the project (Figure 14). Once the first toolpath is cut, change router bits and re-zero the Z-axis. Now return to the *Pendant* main screen and repeat steps 12, 13, and 14.

When all of the .tap files have been run, remove your project, sand and finish.

### Review, Then Cut

13



Verify all of the set-up information for this job, review the safety checklist, then press "Next".

14



To begin the CNC operation, simply press "Start".



## Project 1: Tool Holder

The first project you'll make on your CNC is a practical one: a router bit and wrench organizer, shown at right. This project demonstrates pocket cuts, which don't cut all the way through the material.

The first thing you'll need to do is download the project cutting file by navigating your web browser to [NextWaveCNC.com/cncprojectplans](http://NextWaveCNC.com/cncprojectplans). Copy the .tap file for the Tool Holder HD project to a USB flash drive. The .tap file contains the G-code that tells your machine how to move.

For this project you will need a piece of solid wood, plywood, or MDF (medium-density fiberboard) 8½" x 11" x ¾" thick. Mark the center of the workpiece to use as a reference for zeroing the X-, Y-, and Z-axes. Using the hold-down clamps that came with your CNC router, securely clamp the workpiece to the table of the CNC, as shown in Figure 1 below.

Now you'll install a router bit and zero the X-, Y- and Z-axes, as shown on pages 16 and 17 of this manual. Install a ¼" straight router bit in the collet of your router or spindle and set the speed to approximately 17,500 RPM (Spindles equipped with a spindle interface cable will automatically set the speed). Use the Pendant to zero the X- and Y- axes and then zero the Z-axis.



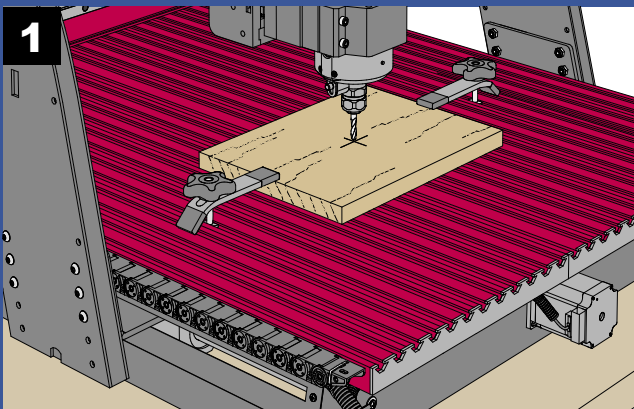
Download project plans at  
[www.NextWaveCNC.com/cncprojectplans](http://www.NextWaveCNC.com/cncprojectplans)

To load the project .tap file that feeds instructions to the CNC, insert the thumb drive into the Pendant. Press the "USB" button (Figure 1 next page) to open the file selection window. Select the Tool Holder HD.tap file (Figure 4 next page).

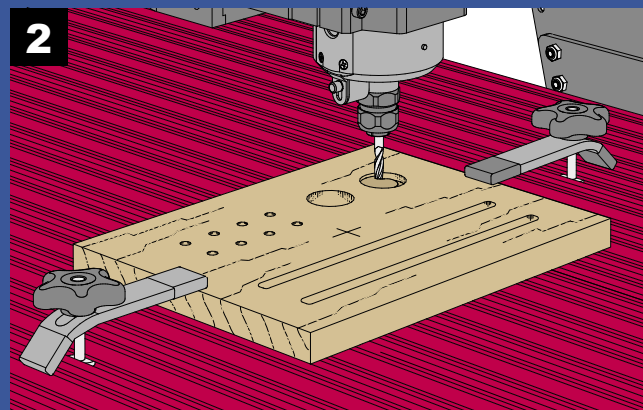
The next screen that pops up (Figure 3) displays set-up information about the file. Once you have reviewed the setup press "Next."

Before going any further, now is a good time to review a safety checklist. You should go through this checklist for every project you make on your CNC.

## Workpiece Set-Up & Routing



**1** Mark a center point on the workpiece before securely clamping it to the CNC table with hold-down clamps. Zero the X-, Y-, and Z-axes before proceeding.



**2** The project file contains the instructions for the CNC to make all of the pocket cuts in the workpiece.



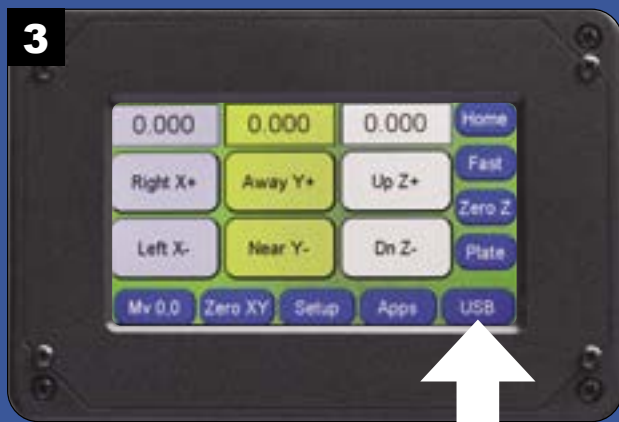
- ☑ Is the workpiece securely clamped to the table?
- ☑ Have you zeroed the X- and Y- axes to the center of the workpiece?
- ☑ Have you zeroed the Z-axis to the top surface of the workpiece?
- ☑ Is the router or spindle set to approximately 17,500 RPM?
- ☑ Have you reviewed the emergency stop procedures?
- ☑ Are you wearing hearing and eye protection?

Press “Start” and watch your CNC router create your first project, as shown in the lower right drawing, previous page.

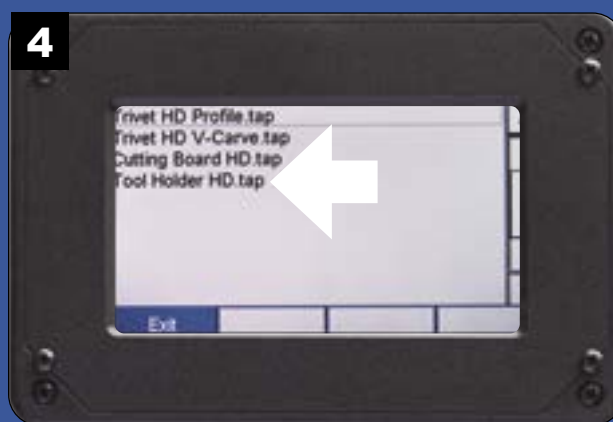
NOTE: You can press the pause button on the Pendant screen to stop the movement of the router if you need to make a minor adjustment. You must also turn off the router or spindle to avoid injury. Once you’ve made all of the adjustments needed, restart the router or spindle and press “Resume.”

Once the project is routed, power off the router and remove the workpiece. All that’s left is to sand and apply a finish to the organizer. Now you’ve got a convenient storage place for the router collets, wrenches, and bits.

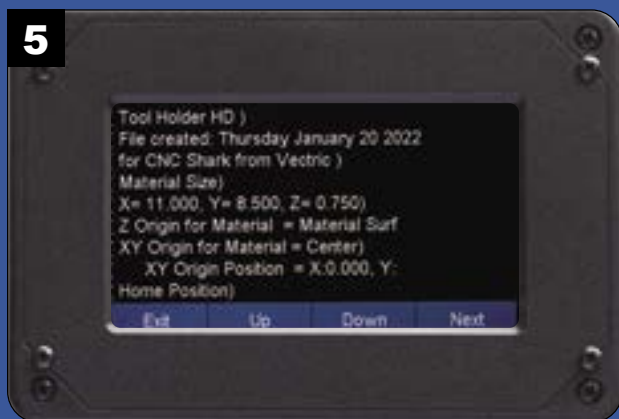
## Verify, Then Create!



After inserting the flash drive into the Pendant, press the “USB” button to select the project file.



From the list of available projects, choose the Tool Holder HD .tap file to proceed.



Verify all of the set-up information for this job, review the safety checklist, then press “Next”.



To begin the CNC operation, simply press “Start”.

## Project 2: Cutting Board

This project will find a practical use in your kitchen, as shown at right. The cutting board demonstrates a “through profile” cut where the finished piece is separated from the parent material. Think of it like a bandsaw.

You may be wondering how the cutting board can remain secure on the table if the router cuts the complete profile around it. There's a trick CNC users employ called tabs that keep the project connected to the rest of the board during cutting. .

Tabs are small, connecting pieces of material that span the kerf left by the router bit. To create these tabs, the CNC doesn't cut all the way through the thickness of the material in certain areas. After the job is done, you can cut through the tabs with a saw or chisel, then sand the profile smooth.

Begin by going downloading the Cutting Board HD.tap file from [NextWaveCNC.com/CNCprojectplan](http://NextWaveCNC.com/CNCprojectplan). Copy the file onto a USB flash drive.

Attractive, tight-grained hardwoods are best for a cutting board. Prepare a blank 9" x 17" x 3/4" - thick. Now is a good time to mark the center point of the workpiece for zeroing out the axes.

Since the CNC cuts through the entire thickness of the blank, you need to place a waste board underneath the blank. This prevents the router bit from cutting into the



Download project plans at  
[www.NextWaveCNC.com/cncprojectplans](http://www.NextWaveCNC.com/cncprojectplans)

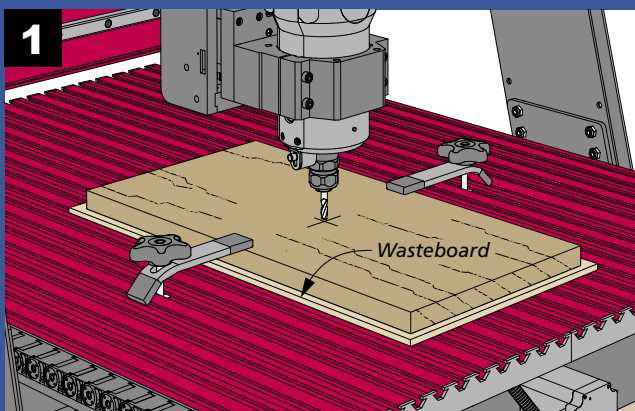
CNC table. Use a waste board that's at least a 1/4" thick and the same size or larger than the cutting board blank.

Place the waste board under the workpiece blank and clamp them to the CNC table using hold-down clamps. Install a 1/4" straight bit in the collet of your router or spindle and set the speed to 17,500 RPM. Zero the X-, Y-, and Z-axes.

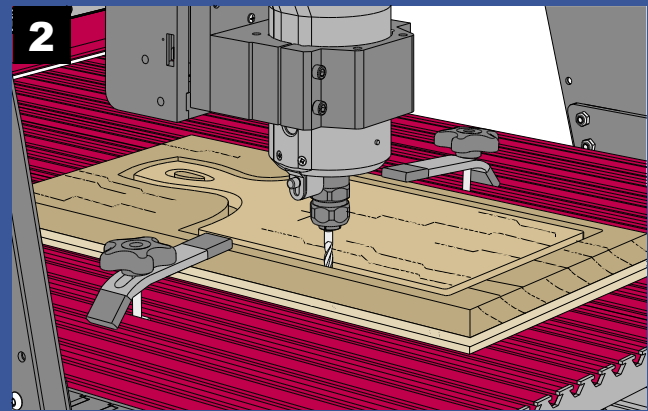
Insert the thumb drive into the Pendant to load the cutting file. Press the “USB” button (Figure 1) on the main screen to open the file selection window. Locate and select the Cutting Board HD.tap file, as shown in Figure 4 at right.

As shown in Figure 5, set-up information for the job pops up for your review and verification. If everything looks okay, press “Next.”

### Workpiece Set-Up



Mark a center point on the workpiece before securely clamping it and the waste board to the CNC table with hold-down clamps. Zero the X-, Y-, and Z-axes.



Watch the router cut around the profile of the cutting board while leaving tabs to keep it secure on the CNC table.

Review your safety checklist:

- ✓ Is the workpiece securely clamped to the table?
- ✓ Have you zeroed the X- and Y- axes to the center of the workpiece?
- ✓ Have you zeroed the Z-axis to the top surface of the workpiece?
- ✓ Is the router or spindle set to approximately 17,500 RPM?
- ✓ Have you reviewed the emergency stop procedures?
- ✓ Are you wearing hearing and eye protection?

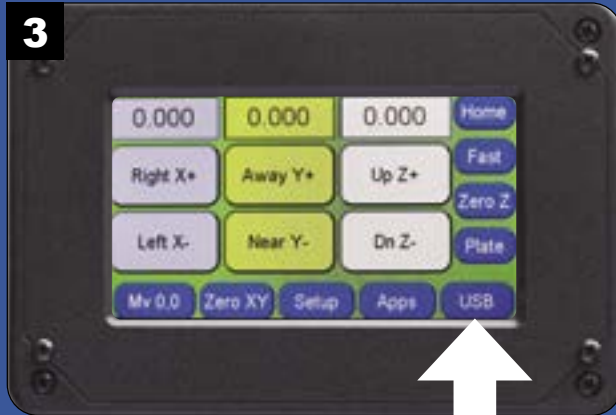
Press “Start” and watch your CNC router cut the profile of the cutting board, as illustrated in the lower right drawing, previous page. Note the tabs created during the routing process that hold the cutting board in place.

NOTE: You can press the pause button on the Pendant screen to stop the movement of the router if you need to make a minor adjustment. You must also turn off the router or spindle to avoid injury. Once you’ve made all of the adjustments needed, restart the router or spindle and press “Resume.”

When the CNC stops, power down the router before removing the workpiece and waste board. Use a chisel or small hand saw to cut through the tabs to separate the cutting board. Clean up the remnants of the tabs with rasps and sandpaper. Sand the entire cutting board smooth before applying a food-safe finish.

As a word of caution, you can damage your cutting board by placing it in the dishwasher. Instead, simply wipe it clean with a damp cloth and mild detergent between uses.

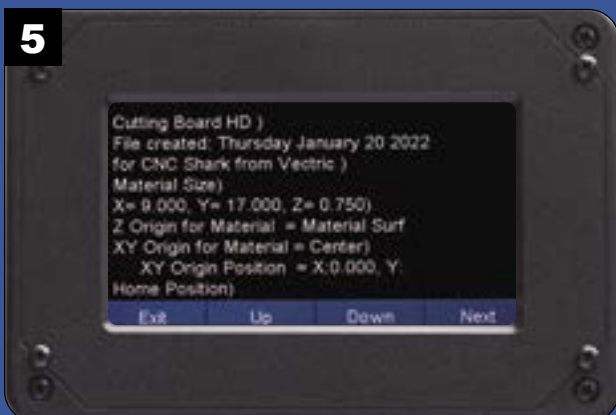
## Verify, Then Create!



After inserting the flash drive into the Pendant, press the “USB” button to select the project file.



From the list of available projects, choose the Cutting Board.tap file to proceed.



Verify all of the setup information for this job, review the safety checklist, then press “Next”.



To begin the CNC operation, simply press “Start”.



## Project 3: Carved Trivet

This project, a trivet, features a technique that you may not be familiar with: V-carving. This versatile cutting method uses a V-shaped router bit to generate appealing designs by using cuts of varied widths. You can see these intricate cuts in the photo at right.

During operation, the V-bit gradually rises and lowers as the Z-axis moves in sync with the X- and Y-axes. This creates a tapered look unique to V-carving. With this technique, you can create beautiful lettering and amazing patterns.

The trivet is made with two different cutting techniques. First, you'll create the decorative pattern and lettering using a V-carving cut and a 90 degree V-bit. The second operation is a profile cut that creates the round shape of the trivet in the same way that you made the cutting board, using a 1/4" straight bit, a waste board, and utilizing tabs to keep the project from moving. When different router bits or types of cuts are used for a project, a separate cutting file is required for each.

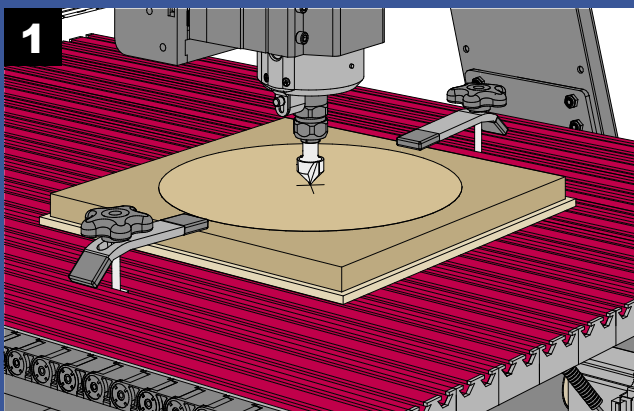
Get started by downloading the project cutting files from *Next-Wave.com*: Trivet Vcarve HD.tap and Trivet Profile HD.tap. Copy the files onto a USB flash drive.

Download project plans at  
[www.NextWaveCNC.com/cncprojectplans](http://www.NextWaveCNC.com/cncprojectplans)

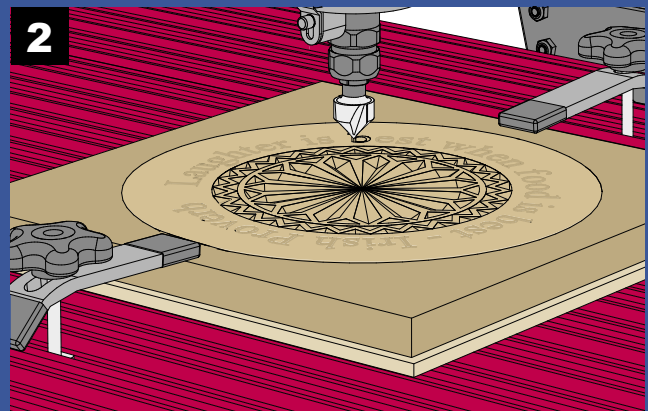


For this project, you will need a piece of solid wood that measures 12" x 12" x 3/4" thick. Hardwoods like maple or cherry work best. You will also need a waste board to place under the trivet material. Mark the center of the blank, then clamp the blank with the waste board underneath to the CNC table using the hold-down clamps, as shown in Figure 1. Install a 90° V-bit bit in the router collet and set the speed to 17,500 RPM.

### Workpiece Set-Up



1 Mark a center point on the workpiece before securely clamping it to the CNC table with hold-down clamps. Zero the X-, Y-, and Z-axes.



2 The V-bit makes unique cuts that create an eye-catching pattern in three dimensions.

Once you've zeroed the X-, Y-, and Z-axes, insert the thumb drive into the Pendant. To select the file for processing, press the "USB" key (Figure 3) to open the file selection window. Select the file Trivet Vcarve HD.tap as shown in Figure 4.

Figure 5 represents the set-up information about the file that you should review and verify. If everything checks out, press the "Next" button.

Review your safety checklist:

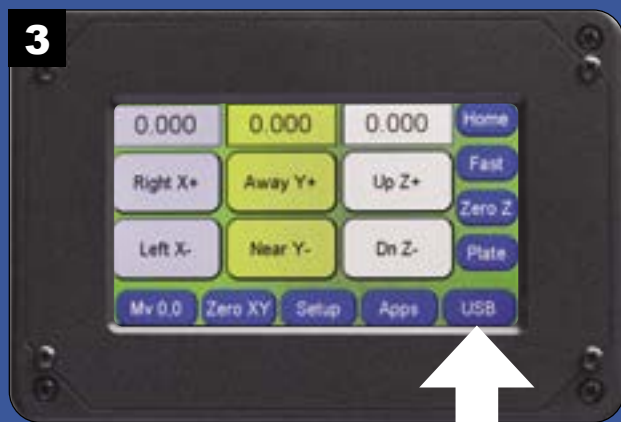
- Is the workpiece securely clamped to the table?
- Have you zeroed the X- and Y- axes to the center of the workpiece?
- Have you zeroed the Z-axis to the top surface of the workpiece?

- Is the router or spindle set to approximately 17,500 RPM?
- Have you reviewed the emergency stop procedures?
- Are you wearing hearing and eye protection?

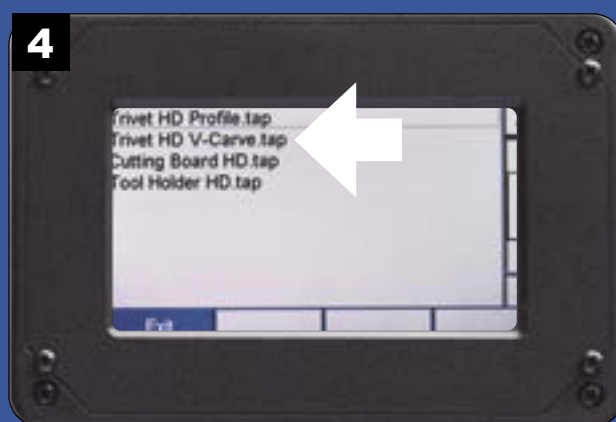
Press "Start" and watch your CNC router carve an intricate pattern on the workpiece.

NOTE: You can press the pause button on the Pendant screen to stop the movement of the router if you need to make a minor adjustment. You must also turn off the router or spindle to avoid injury. Once you've made all of the adjustments needed, restart the router or spindle and press "Resume."

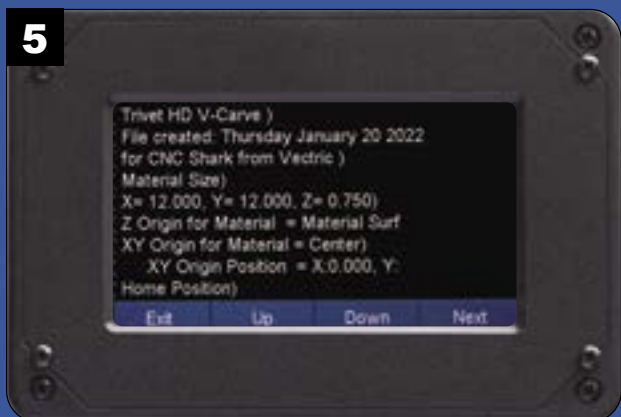
## Verify, Then Create!



After inserting the flash drive into the Pendant, press the "USB" button to select the project file.



From the list of available projects, choose the Trivet HD V-Carve.tap file to proceed.



Verify all of the setup information for this job, review the safety checklist, then press "Next".



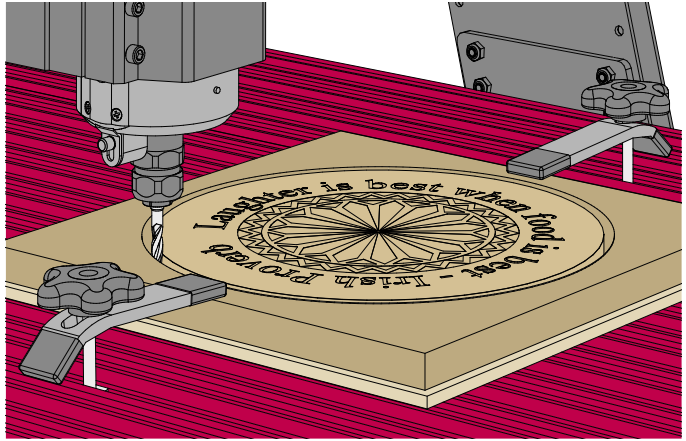
To begin the CNC operation, simply press "Start".



When the CNC stops, power down the router before swapping out the v-bit to a 1/4" shank straight bit. Once you've re-zeroed Z-axis, select the new file for processing by pressing the "USB" key (Figure 7) to open the file selection window. Select the file Trivet Profile HD.tap as shown in Figure 8.

Review new setup information (Figure 9), then press "Next". Press "Start" (Figure 10) to cut the profile of the trivet, as illustrated in the drawing at right, Note the tabs created during the routing process that hold the cutting board in place.

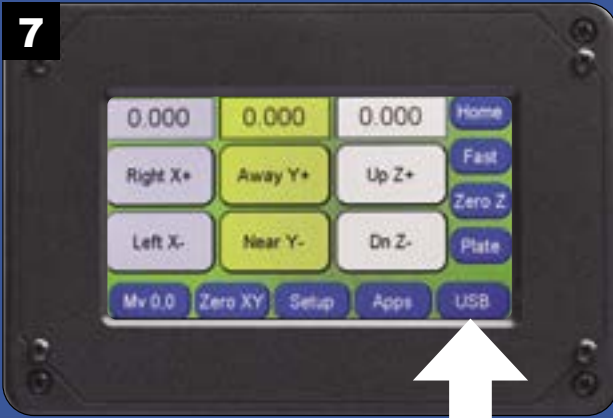
When the CNC stops, power down the router before removing the workpiece and waste board. Use a chisel or small hand saw to cut through the tabs to separate the trivet. Clean up the remnants of the tabs with rasps and sandpaper. Then sand and finish.



Watch the router cut around the profile of the trivet while leaving tabs to keep it secure on the CNC table.

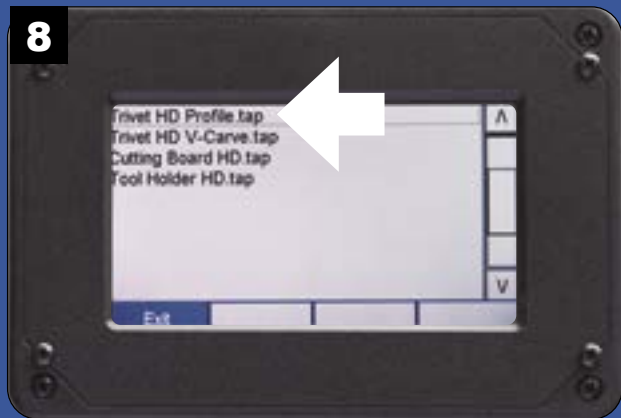
## Finish the Trivet

7



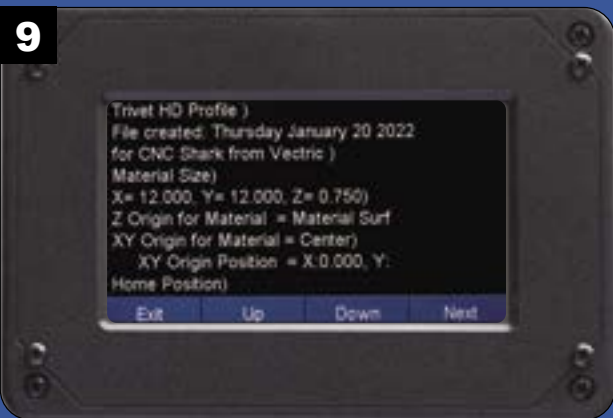
After inserting the flash drive into the Pendant, press the "USB" button to select the project file.

8



From the list of available projects, choose the Trivet Profile HD.tap file to proceed.

9



Verify all of the setup information for this job, review the safety checklist, then press "Next".

10



To begin the CNC operation, simply press "Start".

## Maintenance

Periodic maintenance and lubrication keeps your *SHARK CNC* running efficiently and smoothly.

If the *Pendant* buttons stop responding correctly, clean around the screen with a piece of paper.

Use a dry lubricant for the rails, round bars, and leadscrews. Dry lubricant doesn't attract dust. Purchase *Dupont Silicon Teflon* at your local *Next Wave CNC* retailer or online at: [NextwaveCNC.com/shop](https://www.nextwavecnc.com/shop). You will find similar dry lubricant products at your local hardware store.

To lubricate the linear bearings, use the linear bearing grease and nozzle kit from *Next Wave*. It includes a light lithium grease and a nozzle to attach to a mini grease gun you supply:

<https://www.nextwavecnc.com/shop/LINEAR-BEARING-GREASE-AND-6MM-NOZZLE-KIT-p208340135>

Find additional maintenance information at:

<https://nextwaveautomation.zendesk.com/hc/en-us/articles/4402720442253-HD5xx-Series-Lubrication-Guide>

### Daily

- Check for damaged wires or components. Repair or replace them as needed.
- Check for loose parts. Tighten or adjust as needed.
- Vacuum or dust off machine and components, including the controller and router.
- Wipe down the bars with a soft cloth.
- Clean the leadscrews with a soft brush or vacuum.
- Apply dry lubricant to the guide rods and leadscrews, wiping off the excess with a soft rag.

### Monthly or Every 40 Hours of Use

- Deep clean the guide rods and leadscrews with mineral spirits or other mild solvent to remove wood glue and resin.
- Apply a light coat of dry lubricant to the round Y-bars and leadscrews. Wipe off excess with a soft rag.
- Grease the linear bearings (more often if needed) with the *Next Wave* grease and nozzle kit.

### Guide Rail & Bearing Maintenance

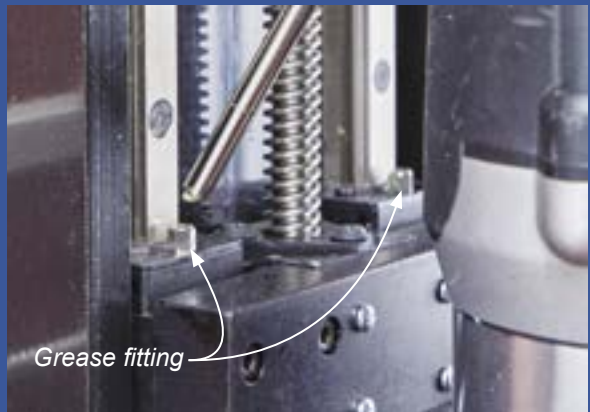
#### X and Z Rails

Dust and debris build-up on the guide rails can have a negative impact on the performance of your machine, so it is important to keep them clean and lubricated. To maintain optimum performance, clean and lube the X and Z rails at least once every 8 hours of operation. While the machine is

## Clean & Grease



Wipe the Pendant screen with a soft cloth and remove sawdust buildup between the case and screen with a folded piece of paper.



Place the grease gun's nozzle over the grease fitting located on the bearings. Firmly push the nozzle against the bearing's grease fitting and use the trigger to apply the grease. It takes only a couple pulls for each application.



To lubricate the Z-axis bearings, you'll find the grease fittings behind the spindle mount.

stopped, wipe off the rails with a clean cloth or soft brush. After cleaning the rails, lubricate the bearings with a dry lubricant.

### **X and Z Bearings**

The two Z-axis bearings are located behind the router/spindle mount. The two X-axis bearings are located behind the Z carriage. These four bearings require periodic lubrication with light lithium grease included in the linear bearing grease and nozzle kit from *Next Wave*. Linear Bearing Grease and 6mm Nozzle Kit Available at [www.NextWaveCNC.com/shop](http://www.NextWaveCNC.com/shop).

### **Y Rails (under the machine)**

Clean the round Y rails under the machine in the same manner as the X and Z rails. After cleaning the Y rails, apply a dry lubricant then run the machine Y-axis back and forth a few times to distribute the lubricant evenly along the rails.

### **Y Bearings (under the machine)**

The round linear Y bearings under the machine do not require lubrication. Applying dry lubricant to the round rails is sufficient.

## **Resources**

### **Next Wave CNC**

[nextwaveCNC.com](http://nextwaveCNC.com)

Manufacturer of the *SHARK HD* and *SD* series CNC machines and accessories. The website offers software and documentation downloads, educational content, as well as information about the full line of *Next Wave CNC* products.

### **Next Wave CNC Technical Support**

For questions about your *SHARK*, *Ready2Control* software, or other *Next Wave CNC* products, please contact our support team at [support@nextwaveCNC.com](mailto:support@nextwaveCNC.com)

### **NWA Owners Only Forum**

[forums.nextwaveCNC.com/](http://forums.nextwaveCNC.com/)

Join our group exclusively for *Next Wave CNC* owners. You'll find projects, ideas, project showcases, and valuable support from users of all levels.

### **CNC SHARK Talk User Forum**

[www.cncSHARKtalk.com](http://www.cncSHARKtalk.com)

This discussion group is a valuable resource open to users of any CNC machine.

### **Vetric**

[vetric.com](http://vetric.com)

For design support and training with *VCarve*, visit [www.vetric.com](http://www.vetric.com) and click on the Support Tab for information and video tutorials. You can also email your *VCarve* questions to [support@vetric.com](mailto:support@vetric.com).

## Upgrade Accessories



### 2HP WATER COOLED SPINDLE SYSTEM

- Powerful 2HP motor
- ER11 collet system includes 1/4" & 1/8" collets
- Water pump, hose and connection kit included
- 110V uses standard 20 amp circuit
- 6,000—24,000 rpm (rotations per minute) variable speed Inverter
- Spindle clamp adapts to existing router mounts
- Less than .005 mm runout Superior quiet operation Outer dimensions 80 mm x 180 mm

SKU 20157



### 3HP WATER COOLED SPINDLE SYSTEM

- Powerful 3HP motor
- Digital Speed Control
- ER20 collet system includes 1/4" & 1/2" collets
- Enclosed Cooling System
- In line Flow Indicator

SKU 20160



## Upgrade Accessories *continued*



### DUST BOOT SYSTEM

- Quick Remove Brush attachment allows for easy bit change
- Accepts standard dust connectors
- Replaceable Brushes - Available for all Machines

HD SKU 20170 • SD SKU 20165



### TOUCH PLATE

- Compatible with all Next Wave CNC machines.
- Required for using Virtual Zero Unlimited available on select machines
- Solid Aluminum Construction
- 4 ft Cord (6' extension cable also available)
- Sets Z axis at exact zero for precision cutting
- Lays flat on the material surface or machine bed

SKU 20141







## *Getting Started with your SHARK CNC*

## *SHARK LCD Pendant Set-Up & Operation*



## *Ready2Control Set-Up & Operation*

## *VCarve Design Tool Path Essentials*



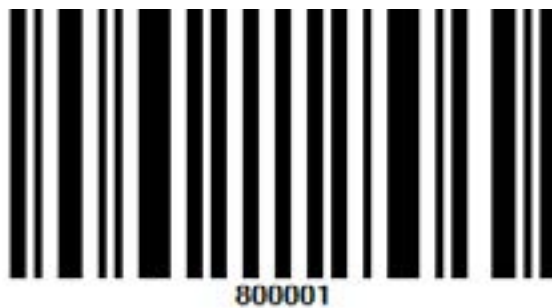
*And More:  
Laser Setup and Operation  
Rotary 4th Axis Setup and Operation  
Spoil Board Setup and Maintenance*

# Register Now

<https://www.nextwavecnc.com/webinars>



**SHARK HD500/510/520**  
User's Manual



V. 01 06 2023 rj