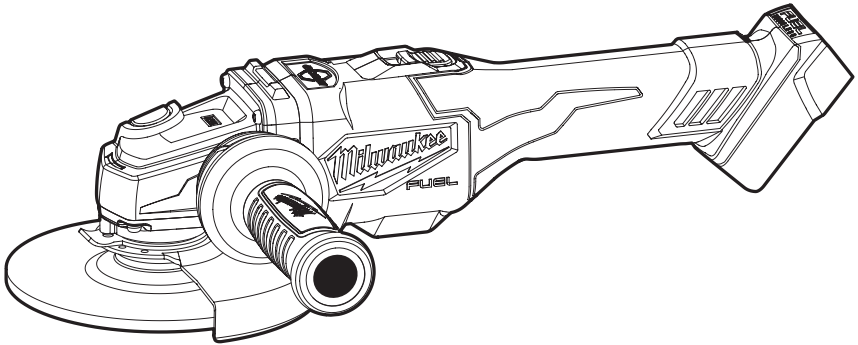
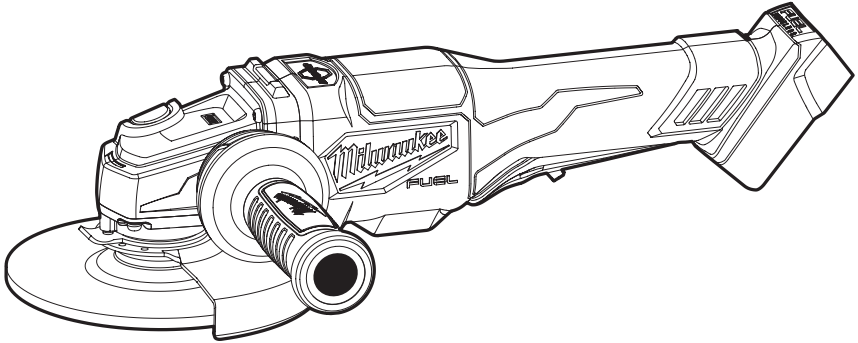




OPERATOR'S MANUAL
MANUEL de L'UTILISATEUR
MANUAL del OPERADOR



Cat. No. / No de cat.
2980-20, 2981-20

M18 FUEL™ 4-1/2" - 6" BRAKING GRINDER
MEULEUSE À FREIN DE 115 mm À 150 mm (4-1/2" - 6") M18 FUEL™
RECTIFICADORA CON FRENO DE 115 mm A 150 mm (4-1/2" - 6")
M18 FUEL™



WARNING To reduce the risk of injury, user must read and understand operator's manual.

AVERTISSEMENT Afin de réduire le risque de blessures, l'utilisateur doit lire et bien comprendre le manuel.

ADVERTENCIA Para reducir el riesgo de lesiones, el usuario debe leer y entender el manual.

GENERAL POWER TOOL SAFETY WARNINGS

WARNING Read all safety warnings, instructions, illustrations and specifications provided with this power tool. Failure to follow all instructions listed below may result in electric shock, fire and/or serious injury. **Save all warnings and instructions for future reference.** The term "power tool" in the warnings refers to your mains-operated (corded) power tool or battery-operated (cordless) power tool.

WORK AREA SAFETY

- **Keep work area clean and well lit.** Cluttered or dark areas invite accidents.
- **Do not operate power tools in explosive atmospheres, such as in the presence of flammable liquids, gases or dust.** Power tools create sparks which may ignite the dust or fumes.
- **Keep children and bystanders away while operating a power tool.** Distractions can cause you to lose control.

ELECTRICAL SAFETY

- **Power tool plugs must match the outlet.** Never modify the plug in any way. Do not use any adapter plugs with earthed (grounded) power tools. Unmodified plugs and matching outlets will reduce risk of electric shock.
- **Avoid body contact with earthed or grounded surfaces, such as pipes, radiators, ranges and refrigerators.** There is an increased risk of electric shock if your body is earthed or grounded.
- **Do not expose power tools to rain or wet conditions.** Water entering a power tool will increase the risk of electric shock.
- **Do not abuse the cord.** Never use the cord for carrying, pulling or unplugging the power tool. **Keep cord away from heat, oil, sharp edges or moving parts.** Damaged or entangled cords increase the risk of electric shock.
- **When operating a power tool outdoors, use an extension cord suitable for outdoor use.** Use of a cord suitable for outdoor use reduces the risk of electric shock.
- **If operating a power tool in a damp location is unavoidable, use a ground fault circuit interrupter (GFCI) protected supply.** Use of an GFCI reduces the risk of electric shock.

PERSONAL SAFETY

- **Stay alert, watch what you are doing and use common sense when operating a power tool. Do not use a power tool while you are tired or under the influence of drugs, alcohol or medication.** A moment of inattention while operating power tools may result in serious personal injury.
- **Use personal protective equipment. Always wear eye protection.** Protective equipment such as a dust mask, non-skid safety shoes, hard hat or hearing protection used for appropriate conditions will reduce personal injuries.
- **Prevent unintentional starting.** Ensure the switch is in the off-position before connecting to power source and/or battery pack, picking up or carrying the tool. Carrying power tools with your finger on the switch or energizing power tools that have the switch on invites accidents.
- **Remove any adjusting key or wrench before turning the power tool on.** A wrench or a key left

attached to a rotating part of the power tool may result in personal injury.

- **Do not overreach. Keep proper footing and balance at all times.** This enables better control of the power tool in unexpected situations.
- **Dress properly. Do not wear loose clothing or jewelry. Keep your hair and clothing away from moving parts.** Loose clothes, jewelry or long hair can be caught in moving parts.
- **If devices are provided for the connection of dust extraction and collection facilities, ensure these are connected and properly used.** Use of dust collection can reduce dust-related hazards.
- **Do not let familiarity gained from frequent use of tools allow you to become complacent and ignore tool safety principles.** A careless action can cause severe injury within a fraction of a second.

POWER TOOL USE AND CARE

- **Do not force the power tool. Use the correct power tool for your application.** The correct power tool will do the job better and safer at the rate for which it was designed.
- **Do not use the power tool if the switch does not turn it on and off.** Any power tool that cannot be controlled with the switch is dangerous and must be repaired.
- **Disconnect the plug from the power source and/or remove the battery pack, if detachable, from the power tool before making any adjustments, changing accessories, or storing power tools.** Such preventive safety measures reduce the risk of starting the power tool accidentally.
- **Store idle power tools out of the reach of children and do not allow persons unfamiliar with the power tool or these instructions to operate the power tool.** Power tools are dangerous in the hands of untrained users.
- **Maintain power tools and accessories. Check for misalignment or binding of moving parts, breakage of parts and any other condition that may affect the power tool's operation. If damaged, have the power tool repaired before use.** Many accidents are caused by poorly maintained power tools.
- **Keep cutting tools sharp and clean.** Properly maintained cutting tools with sharp cutting edges are less likely to bind and are easier to control.
- **Use the power tool, accessories and tool bits etc. in accordance with these instructions, taking into account the working conditions and the work to be performed.** Use of the power tool for operations different from those intended could result in a hazardous situation.
- **Keep handles and grasping surfaces dry, clean and free from oil and grease.** Slippery handles and grasping surfaces do not allow for safe handling and control of the tool in unexpected situations.

BATTERY TOOL USE AND CARE

- **Recharge only with the charger specified by the manufacturer.** A charger that is suitable for one type of battery pack may create a risk of fire when used with another battery pack.
- **Use power tools only with specifically designated battery packs.** Use of any other battery packs may create a risk of injury and fire.
- **When battery pack is not in use, keep it away from other metal objects, like paper clips, coins, keys, nails, screws or other small metal objects, that can make a connection from one terminal to**

another. Shorting the battery terminals together may cause burns or a fire.

- **Under abusive conditions, liquid may be ejected from the battery; avoid contact.** If contact accidentally occurs, flush with water. If liquid contacts eyes, additionally seek medical help. Liquid ejected from the battery may cause irritation or burns.
- **Do not use a battery pack or tool that is damaged or modified.** Damaged or modified batteries may exhibit unpredictable behavior resulting in fire, explosion or risk of injury.
- **Do not expose a battery pack or tool to fire or excessive temperature.** Exposure to fire or temperature above 265°F (130°C) may cause explosion.
- **Follow all charging instructions and do not charge the battery pack or tool outside the temperature range specified in the instructions.** Charging improperly or at temperatures outside the specified range may damage the battery and increase the risk of fire.

SERVICE

- **Have your power tool serviced by a qualified repair person using only identical replacement parts.** This will ensure that the safety of the power tool is maintained.
- **Never service damaged battery packs.** Service of battery packs should only be performed by the manufacturer or authorized service providers.

SPECIFIC SAFETY RULES FOR GRINDERS

Safety Warnings Common for Grinding, Sanding, Wire Brushing or Abrasive Cutting-Off Operations:

- **This power tool is intended to function as a grinder, sander, wire brush or cut-off tool. Read all safety warnings, instructions, illustrations and specifications provided with this power tool.** Failure to follow all instructions listed below may result in electric shock, fire and/or serious injury.
- **Operations such as polishing are not recommended to be performed with this power tool.** Operations for which the power tool was not designed may create a hazard and cause personal injury.
- **Do not use accessories which are not specifically designed and recommended by the tool manufacturer.** Just because the accessory can be attached to your power tool, it does not assure safe operation.
- **The rated speed of the accessory must be at least equal to the maximum speed marked on the power tool.** Accessories running faster than their rated speed can break and fly apart.
- **The outside diameter and the thickness of your accessory must be within the capacity rating of your power tool.** Incorrectly sized accessories cannot be adequately guarded or controlled.
- **Threaded mounting of accessories must match the grinder spindle thread. For accessories mounted by flanges, the arbour hole of the accessory must fit the locating diameter of the flange.** Accessories that do not match the mounting hardware of the power tool will run out of balance, vibrate excessively and may cause loss of control.
- **Do not use a damaged accessory. Before each use inspect the accessory such as abrasive wheels for chips and cracks, backing pad for cracks, tear or excess wear, wire brush for loose or cracked wires. If power tool or accessory is dropped, inspect for damage or install an undamaged accessory. After inspecting and installing an accessory, position yourself and bystanders**

away from the plane of the rotating accessory and run the power tool at maximum no-load speed for one minute. Damaged accessories will normally break apart during this test time.

- **Wear personal protective equipment. Depending on application, use face shield, safety goggles or safety glasses. As appropriate, wear dust mask, hearing protectors, gloves and workshop apron capable of stopping small abrasive or workpiece fragments.** The eye protection must be capable of stopping flying debris generated by various operations. The dust mask or respirator must be capable of filtering particles generated by your operation. Prolonged exposure to high intensity noise may cause hearing loss.
 - **Keep bystanders a safe distance away from work area. Anyone entering the work area must wear personal protective equipment.** Fragments of workpiece or of a broken accessory may fly away and cause injury beyond immediate area of operation.
 - **Hold the power tool by insulated gripping surfaces only, when performing an operation where the cutting tool may contact hidden wiring.** Contact with a "live" wire may also make exposed metal parts of the power tool "live" and could give the operator an electric shock.
 - **Never lay the power tool down until the accessory has come to a complete stop.** The spinning accessory may grab the surface and pull the power tool out of your control.
 - **Do not run the power tool while carrying it at your side.** Accidental contact with the spinning accessory could snag your clothing, pulling the accessory into your body.
 - **Regularly clean the power tool's air vents.** The motor's fan will draw the dust inside the housing and excessive accumulation of powdered metal may cause electrical hazards.
 - **Do not operate the power tool near flammable materials.** Sparks could ignite these materials.
 - **Do not use accessories that require liquid coolants.** Using water or other liquid coolants may result in electrocution or shock.
- Kickback and Related Warnings**
- Kickback is a sudden reaction to a pinched or snagged rotating wheel, backing pad, brush or any other accessory. Pinching or snagging causes rapid stalling of the rotating accessory which in turn causes the uncontrolled power tool to be forced in the direction opposite of the accessory's rotation at the point of the binding. For example, if an abrasive wheel is snagged or pinched by the workpiece, the edge of the wheel that is entering into the pinch point can dig into the surface of the material causing the wheel to climb out or kick out. The wheel may either jump toward or away from the operator, depending on direction of the wheel's movement at the point of pinching. Abrasive wheels may also break under these conditions.
- Kickback is the result of power tool misuse and/or incorrect operating procedures or conditions and can be avoided by taking proper precautions as given below.
- **Maintain a firm grip on the power tool and position your body and arm to allow you to resist kickback forces. Always use auxiliary handle, if provided, for maximum control over kickback or torque reaction during start-up.** The operator can control torque reactions or kickback forces, if proper precautions are taken.
 - **Never place your hand near the rotating accessory. Accessory may kickback over your hand.**

• Do not position your body in the area where power tool will move if kickback occurs. Kickback will propel the tool in direction opposite to the wheel's movement at the point of snagging.

• Use special care when working corners, sharp edges etc. Avoid bouncing and snagging the accessory. Corners, sharp edges or bouncing have a tendency to snag the rotating accessory and cause loss of control or kickback.

• Do not attach a saw chain woodcarving blade or toothed saw blade. Such blades create frequent kickback and loss of control.

Safety Warnings Specific for Grinding and Abrasive Cutting-Off Operations:

• Use only wheel types that are recommended for your power tool and the specific guard designed for the selected wheel. Wheels for which the power tool was not designed cannot be adequately guarded and are unsafe.

• The grinding surface of centre depressed wheels must be mounted below the plane of the guard lip. An improperly mounted wheel that projects through the plane of the guard lip cannot be adequately protected.

• The guard must be securely attached to the power tool and positioned for maximum safety, so the least amount of wheel is exposed towards the operator. The guard helps to protect the operator from broken wheel fragments, accidental contact with wheel and sparks that could ignite clothing.

• Wheels must be used only for recommended applications. For example: do not grind with the side of cut-off wheel. Abrasive cut-off wheels are intended for peripheral grinding, side forces applied to these wheels may cause them to shatter.

• Always use undamaged wheel flanges that are of correct size and shape for your selected wheel. Proper wheel flanges support the wheel thus reducing the possibility of wheel breakage. Flanges for cut-off wheels may be different from grinding wheel flanges.

• Do not use worn down wheels from larger power tools. Wheel intended for larger power tool is not suitable for the higher speed of a smaller tool and may burst.

Additional Safety Warnings Specific for Abrasive Cutting-Off Operations:

• Do not "jam" the cut-off wheel or apply excessive pressure. Do not attempt to make an excessive depth of cut. Overstressing the wheel increases the loading and susceptibility to twisting or binding of the wheel in the cut and the possibility of kickback or wheel breakage.

• Do not position your body in line with and behind the rotating wheel. When the wheel, at the point of operation, is moving away from your body, the possible kickback may propel the spinning wheel and the power tool directly at you.

• When wheel is binding or when interrupting a cut for any reason, switch off the power tool and hold the power tool motionless until the wheel comes to a complete stop. Never attempt to remove the cut-off wheel from the cut while the wheel is in motion otherwise kickback may occur. Investigate and take corrective action to eliminate the cause of wheel binding.

• Do not restart the cutting operation in the workpiece. Let the wheel reach full speed and carefully re-enter the cut. The wheel may bind, walk up or kickback if the power tool is restarted in the workpiece."

• Support panels or any oversized workpiece to minimize the risk of wheel pinching and kickback. Large workpieces tend to sag under their own weight. Supports must be placed under the workpiece near the line of cut and near the edge of the workpiece on both sides of the wheel.

• Use extra caution when making a "pocket cut" into existing walls or other blind areas. The protruding wheel may cut gas or water pipes, electrical wiring or objects that can cause kickback.

Safety Warnings Specific for Sanding Operations:

• Do not use excessively oversized sanding disc paper. Follow manufacturers recommendations, when selecting sanding paper. Larger sanding paper extending beyond the sanding pad presents a laceration hazard and may cause snagging, tearing of the disc or kickback.

Safety Warnings Specific for Wire Brushing Operations:

• Be aware that wire bristles are thrown by the brush even during ordinary operation. Do not overstress the wires by applying excessive load to the brush. The wire bristles can easily penetrate light clothing and/or skin.

• If the use of a guard is recommended for wire brushing, do not allow any interference of the wire wheel or brush with the guard. Wire wheel or brush may expand in diameter due to work load and centrifugal forces.

Additional Safety Warnings

• **WARNING** To reduce the risk of injury in applications that produce a considerable amount of dust, use an OSHA compliant dust extraction solution in accordance with the solution's operating instructions.

• Always use common sense and be cautious when using tools. It is not possible to anticipate every situation that could result in a dangerous outcome. Do not use this tool if you do not understand these operating instructions or you feel the work is beyond your capability; contact Milwaukee Tool or a trained professional for additional information or training.

• Maintain labels and nameplates. These carry important information. If unreadable or missing, contact a MILWAUKEE service facility for a free replacement.


• **WARNING** Some dust created by power sanding, sawing, grinding, drilling, and other construction activities contains chemicals known to cause cancer, birth defects or other reproductive harm. Some examples of these chemicals are:

- lead from lead-based paint
 - crystalline silica from bricks and cement and other masonry products, and
 - arsenic and chromium from chemically-treated lumber.
- Your risk from these exposures varies, depending on how often you do this type of work. To reduce your exposure to these chemicals: work in a well ventilated area, and work with approved safety equipment, such as those dust masks that are specially designed to filter out microscopic particles.

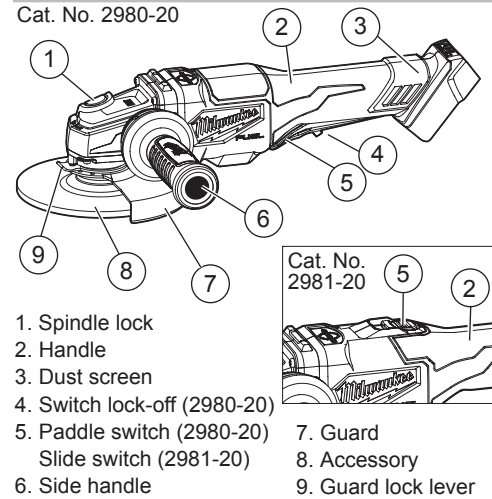
SPECIFICATIONS

Volts.....	18 DC
Battery Type	M18™
Charger Type.....	M18™
Recommended Ambient Operating Temperature.....	0°F to 125°F
Cat. No.	2980-20
Rated RPM.....	9 000
Spindle Thread Size	5/8"-11
Max Capacity.....	6"x1/4"
Cat. No.	2981-20
Rated RPM.....	9 000
Spindle Thread Size	5/8"-11
Max Capacity.....	6"x1/4"

SYMBOLOLOGY

- V Volts
- Direct Current
- n XXXX min⁻¹ Rated Revolutions per Minute (RPM)
- c  UL US UL Listing Mark for Canada and the U.S.

FUNCTIONAL DESCRIPTION



- 1. Spindle lock
- 2. Handle
- 3. Dust screen
- 4. Switch lock-off (2980-20)
- 5. Paddle switch (2980-20)
- 6. Side handle
- 7. Guard
- 8. Accessory
- 9. Guard lock lever

ASSEMBLY

• **WARNING** Recharge only with the charger specified for the battery. For specific charging instructions, read the operator's manual supplied with your charger and battery.

Removing/Inserting the Battery

To remove the battery, push in the release buttons and pull the battery pack away from the tool.

• **WARNING** Always remove battery pack before changing or removing accessories.

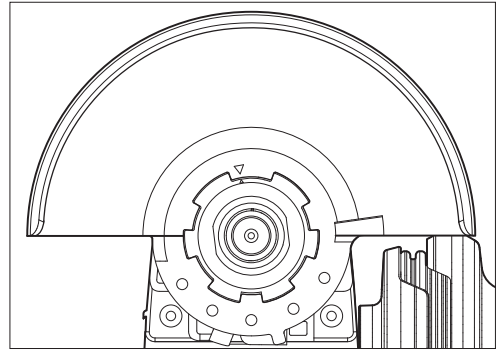
To insert the battery, slide the pack into the body of the tool. Make sure it latches securely into place.

• **WARNING** To reduce the risk of injury when grinding, always use properly installed guards.

Removing/Installing/Adjusting the Guard

This tool is shipped with a guard. Always use a guard unless otherwise indicated by these instructions.

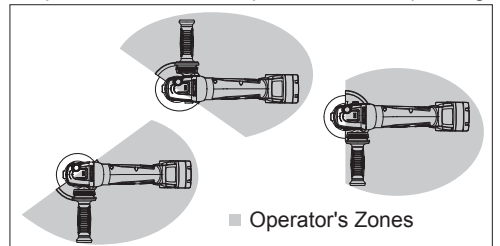
1. To remove the guard, remove the battery pack and remove any accessories from spindle.
2. Press in the guard lock lever and rotate the guard to line up the tabs on the grinder with the slots in the guard.
3. Press in the lock lever and lift the guard straight up and away from the tool.



4. To install the guard, remove the battery pack and remove any accessories from the spindle.

NOTE: Use only 4-1/2" grinding wheels with 4-1/2" guards (available as an accessory). Use only 6" grinding wheels with 6" guards.

5. Line up the tabs on the grinder with the slots in the guard.
 6. Press in the guard lock lever and press the guard onto the tool.
 7. To adjust the guard, press in the guard lock lever and rotate the guard to one of five detent slots.
- WARNING!** Always adjust the guard to provide the operator with maximum protection while operating.



• **WARNING** To reduce the risk of injury, always use a side handle when using this tool. Hold securely.

Installing Side Handle

The side handle may be installed on either side of the gear case. Position the side handle in the location which offers best control and guard protection. To install, thread side handle into side handle socket and tighten securely.

• **WARNING** To reduce the risk of injury, the operator should be instructed in the use, care and protection of grinding wheels.

Grinding Wheel Selection

Use grinding wheels, and accessories that are:

- correct size as written on tool's nameplate.
- rated at or above the RPM listed on the tool's nameplate.
- correct accessory, wheel type and grit for the job.

Grinding is the cutting action of thousands of abrasive grains on the face of a grinding wheel. When grinding metals such as steel and iron, choose an aluminum oxide grinding wheel. Select a silicon carbide grinding wheel for stone and concrete. Use cotton reinforced wheels for non-ferrous metals.

Type 1 Reinforced 1/8" thick or less Cut-Off Wheels are suited for small cut-off and shallow notching operations only. Always handle wheels carefully to avoid damage. Before installing any wheel, always inspect it for cracks. If wheel is cracked, discard it to prevent others from using it.

Care of Grinding & Cut-Off Wheels

Grinding/cut-off wheels should be protected from:

- wetness and extreme humidity
- any type of solvent
- extreme changes in temperature
- dropping and bumping

Grinding and cut-off wheels should be stored:

- in an organized way so wheels can be removed without disturbing or damaging other wheels
- with their safety information

Grinding and cut-off wheels should NOT be dropped, rolled or bumped.

Discard wheels that have been dropped, rolled, bumped, subjected to extreme changes in temperature, or come into contact with solvents or wetness.

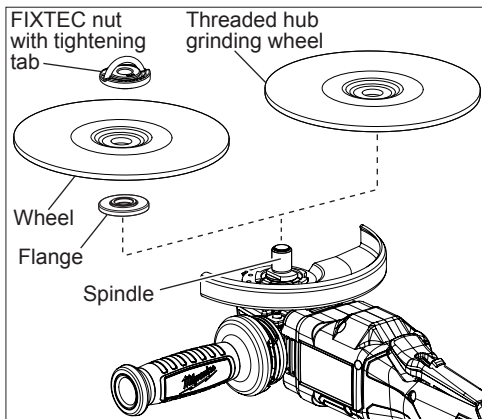
WARNING Only use accessories with Maximum Safe Operating Speed rated at least equal to the maximum speed marked on the power tool. This speed is based on the strength of the wheel, allowing for a reasonable measure of safety. It is not meant to imply a best or most efficient operating speed. Do not exceed the Maximum Safe Operating Speed.

Installing/Removing Grinding & Cut-Off Wheels

Make sure the wheel does not extend beyond the bottom of the guard. Threaded hub grinding wheels may require a deeper guard (see "Accessories").

1. Remove the battery pack. **WARNING!** Always remove battery pack before changing or removing accessories.
2. Properly position the guard.
3. Wipe the flange, FIXTEC nut and spindle to remove dust and debris. Inspect the parts for damage. Replace if needed. Use only MILWAUKEE mounting hardware designed for your tool.
4. Place the flange on spindle, as shown. Rotate flange until it is engaged on the spindle.

NOTE: If using a threaded hub grinding wheel, do not install the flange or FIXTEC nut.



5. Place the selected wheel on the spindle and align it with the flange.
6. Press in the spindle lock button. With the tightening tab up, thread the FIXTEC nut clockwise onto the spindle. Use the tightening tab on the FIXTEC nut to grasp the nut and tighten securely. Press down the tightening tab.
7. To **remove** wheel, remove the battery pack and reverse the procedure.

NOTE: In some cases, the FIXTEC nut may be too tight to remove by hand. In this case, use the wrench to remove.

Sanding Disc Selection

Use sanding discs and accessories that are:

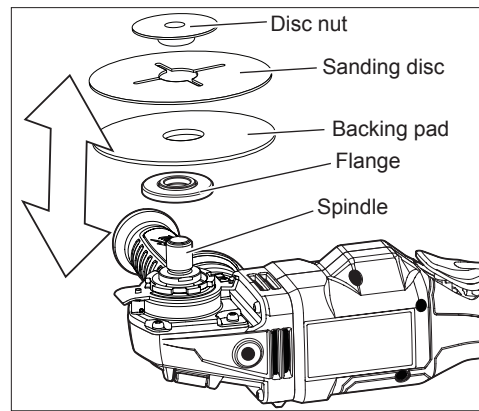
- correct size as written on tool's nameplate.
- rated at or above the RPM listed on the tool's nameplate.
- correct accessory, wheel type and grit for the job.

Select the correct type of sanding disc for your job. Generally, use 24 or 36 grit for heavy stock removal; 50, 60, or 80 grit for medium stock removal and 120 grit for finishing. Always begin with a coarse grit, using successively finer grits to obtain the desired finish.

- Aluminum Oxide:** For fast cutting, general purpose discs for most metal jobs. Best for cold-rolled steel, stainless steel or metals requiring tough, fast cutting, long lasting abrasives.
- Aluminum Zirconia Bi-Cut:** Unique grit pattern is arranged in clusters for faster stock removal and cleaning. Ideal for removing paint from cars, boats, etc. without clogging.
- Ceramic:** Lasts up to 3 times longer than Aluminum Oxide Discs. For general metal working. Ideal for tough jobs.

Installing Backing Pad and Sanding Discs

1. Remove the battery pack. **WARNING!** Always remove battery pack before changing or removing accessories.
2. Wipe the accessories, disc nut and spindle to remove dust and debris. Inspect the parts for damage. Replace if needed. Use only MILWAUKEE mounting hardware designed for your tool.
3. Place the flange on spindle, as shown. Rotate flange until it is engaged on the spindle.
4. Slip backing pad onto spindle with flat side away from gear case.
5. Place sanding disc on backing pad and secure assembly to spindle with disc nut.



6. Press in the spindle lock button while turning flange nut clockwise. Tighten securely.
7. To **remove** backing pad and sanding disc, remove the battery pack and reverse the procedure.

Installing/Removing/Cleaning the Dust Screen

Using the dust screen will increase the performance and extend the life of the tool.

1. To **attach** the dust screen, snap the screen over the tool's handle.
2. To **remove** the dust screen, pry it away from the tool using a flat screwdriver.
3. To **clean** the dust screen, tap against a hard surface, or blow clean with compressed air.

OPERATION

WARNING To reduce the risk of injury, always wear proper eye protection marked to comply with ANSI Z87.1.

When working in dusty situations, wear appropriate respiratory protection or use an OSHA compliant dust extraction solution.

Controlled Start

The controlled start feature reduces the torque reaction "jerk" when the trigger is pulled.

WARNING Always hold the tool firmly with both hands using the handles provided before and during grinding.

Paddle Switch Operation (2980-20)

To **start** the tool, grasp the handle and side handle firmly. Push the lock-off button forward and squeeze the paddle switch.

To **stop** the tool, release the paddle switch. Make sure the tool comes to a complete stop before laying down the tool.

Slide Switch Operation (2981-20)

To **start** the tool, grasp the handle and side handle firmly and slide the switch to ON.

To **stop** the tool, release the switch. Make sure the tool comes to a complete stop before laying down the tool.

To **lock-on** the switch, slide the switch to ON and press down on the front of the switch. To stop the tool, press and release the switch. Make sure the tool comes to a complete stop before laying down the tool.

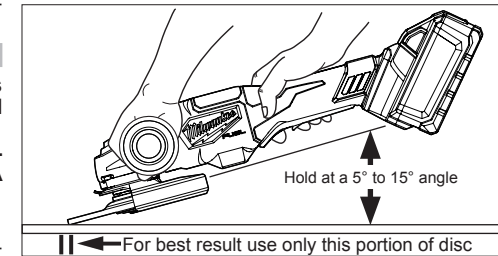
General Operation

1. If you have just installed an accessory or are beginning a period of work, test the wheel by letting it spin for one minute before applying it to the workpiece. **WARNING!** Never use an accessory that has been dropped. Out-of-balance or damaged accessories can mar workpiece, damage the tool, and cause stress that may cause accessory failure.
2. Use a clamp, vise or other practical means to hold your work, freeing both hands to control the tool.
3. **WARNING!** Hold tool securely with both hands. Start the tool. **NOTE:** If the battery is inserted when the tool is ON, the tool will not run. Turn the tool OFF, then back ON to begin work.
4. Allow accessory to come to full speed before beginning work.
5. Control pressure and surface contact between accessory and workpiece. **WARNING!** Never bang accessory onto work. Too much pressure causes accessory failure or slows speed.
6. When finished, turn off the tool and make sure it comes to a complete stop before laying it down.

Using Grinding Wheels

WARNING The guard type must match the wheel type to provide maximum protection for the operator if the wheel should break.

When grinding, hold tool at a 5° to 15° angle, using constant pressure for a uniform finish. Too great an angle causes concentrated pressure on small areas which may gouge or burn work surface.

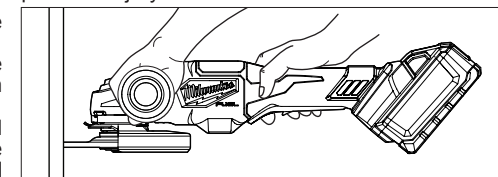


Using Cut-Off Wheels

Cut-Off Wheels are suited for small cut-off and shallow notching operations only.

WARNING The guard type must match the wheel type to provide maximum protection for the operator if the wheel should break.

When using a cut-off wheel, hold the tool as shown, using only the edge of the wheel. **WARNING!** Using the face of a Cut-Off Wheel (as in grinding) will cause the wheel to crack and break, resulting in serious personal injury.



Using Wire Brushes

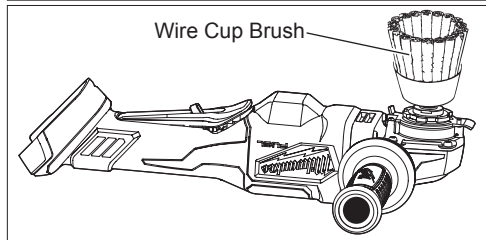
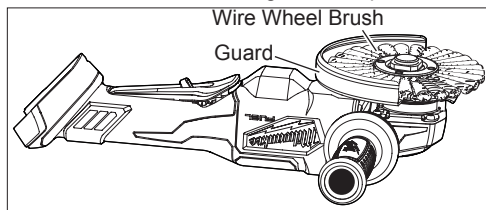
Wire brushes are useful for removing rust, scale, burrs, weld slag, etc.

⚠WARNING Everyone in the area must wear protective clothing and safety goggles or face shields. Fatigued wires and residue will fly off the brush with considerable force, causing potential for serious injury.

Never exceed Maximum Safe Operating Speed of brush. Do not use a damaged brush or one that is functioning improperly (throwing wires, out-of-balance, etc.). These conditions increase the possibility of further brush failure and possible injury. Discard and replace damaged brushes immediately.

A Type "27" guard must be installed when using a wire wheel brush to provide maximum protection for the operator when fatigued wires break. (See "Removing/Installing/Adjusting the guard".)

Always install wire brushes according to the accessory manufacturer's instructions. Only use accessories with threads matching the tool spindle.



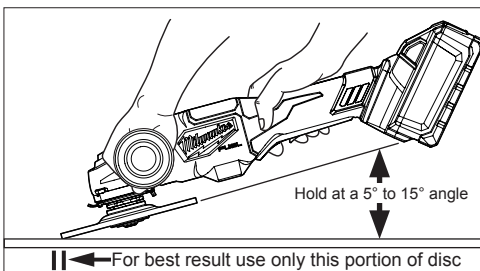
Test wheel for balance and loose or damaged wires by letting it spin for one minute before applying it to the workpiece. During this time, no one should stand in front of or in line with it.

Control pressure and surface contact between wheel and workpiece. Too much pressure causes over-bending of wires and heat build-up causing premature wire breaking, rapid dulling and reduced brush life. Instead of more pressure, try a wire wheel with more aggressive cutting action (increased wire size, decreased wire length or different brush type (knot type vs. crimped wire type)).

Using Sanding Discs

Hold tool at 5° to 15° angle to ensure proper sanding pressure and control. Too great an angle will result in too much pressure and could cause excessive wear to the disc and workpiece. Too small an angle will reduce control.

Use long, sweeping, side to side strokes, advancing forward to produce the desired finish.



Cross Sanding - When finishing a surface that has been prepared by a coarse disc or wheel, sand at right angles to the strokes made by the coarser disc. Finishing marks left from previous sanding are easily seen and removed for a uniform finish. Failure to cross sand when changing from a coarse disc to a finishing disc may result in deep scratches and circular marks.

Removing Welds or Hammer Marks - When removing welds or hammer marks, limit coarse sanding to the immediate area. Use successively finer grits to smooth surface.

Finishing Metal - Constantly move across the surface. Work faster on curved surfaces where contact areas are smaller and pressure is greater. Flat areas may appear at the end of the stroke when pressure is too heavy. Ease up on pressure at end of each stroke and when reversing strokes.

Electric Brake

The brake engages when the trigger is released, causing the disk to stop and allowing you to proceed with your work. Generally, the disk stops within three seconds, depending on the size of the disk. If the braking time significantly increases, or begins missing completely, the tool needs servicing by an authorized MILWAUKEE service facility. The brake is not a substitute for the guard, and you must always wait for the disk to stop completely before laying down the tool.

Troubleshooting

Deep scratches and circular marks can result from:

- Using too coarse a grit
- Using a partially glazed disc
- Dirt or loose metal on the workpiece
- Failure to sand across the grain when changing from coarse to finishing discs
- Failure to use closed coated discs to reduce the problem of grains working loose and scratching the workpiece
- Bluish discoloration of metal surface indicates:
 - Excessive heat caused by circular motion in a small area
 - Excessive pressure
 - Use of worn out or glazed discs

MAINTENANCE

⚠WARNING To reduce the risk of injury, always unplug the charger and remove the battery pack from the charger or tool before performing any maintenance. Never disassemble the tool, battery pack or charger. Contact a MILWAUKEE service facility for ALL repairs.

Maintaining Tool

Keep your tool, battery pack and charger in good repair by adopting a regular maintenance program. Inspect your tool for issues such as undue noise,

misalignment or binding of moving parts, breakage of parts, or any other condition that may affect the tool operation. Return the tool, battery pack, and charger to a MILWAUKEE service facility for repair. After six months to one year, depending on use, return the tool, battery pack and charger to a MILWAUKEE service facility for inspection.

If the tool does not start or operate at full power with a fully charged battery pack, clean the contacts on the battery pack. If the tool still does not work properly, return the tool, charger and battery pack, to a MILWAUKEE service facility for repairs.

⚠WARNING To reduce the risk of personal injury and damage, never immerse your tool, battery pack or charger in liquid or allow a liquid to flow inside them.

Cleaning

Clean dust and debris from vents. Keep handles clean, dry and free of oil or grease. Use only mild soap and a damp cloth to clean, since certain cleaning agents and solvents are harmful to plastics and other insulated parts. Some of these include gasoline, turpentine, lacquer thinner, paint thinner, chlorinated cleaning solvents, ammonia and household detergents containing ammonia. Never use flammable or combustible solvents around tools.

Repairs

For repairs, return the tool, battery pack and charger to the nearest service center.

ACCESSORIES

⚠WARNING Use only recommended accessories. Others may be hazardous.

For a complete listing of accessories, go online to www.milwaukeetool.com or contact a distributor.

SERVICE - UNITED STATES

1-800-SAWDUST (1.800.729.3878)

Monday-Friday, 7:00 AM - 6:30 PM CST

or visit www.milwaukeetool.com

Contact Corporate After Sales Service Technical Support with technical, service/repair, or warranty questions.

Email: metproductsupport@milwaukeetool.com

Become a Heavy Duty Club Member at www.milwaukeetool.com to receive important notifications regarding your tool purchases.

SERVICE - CANADA

Milwaukee Tool (Canada) Ltd

1.800.268.4015

Monday-Friday, 7:00 AM - 4:30 PM CST

or visit www.milwaukeetool.ca

LIMITED WARRANTY USA & CANADA

Every MILWAUKEE power tool* (see exceptions below) is warranted to the original purchaser only to be free from defects in material and workmanship. Subject to certain exceptions, MILWAUKEE will repair or replace any part on an electric power tool which, after examination, is determined by MILWAUKEE to be defective in material or workmanship for a period of five (5) years** after the date of purchase unless otherwise noted. Return of the power tool to a MILWAUKEE factory Service Center location or MILWAUKEE Authorized Service Station, freight prepaid and insured, is required. A copy of the proof of purchase should be included with the return product. This warranty does not apply to damage that MILWAUKEE determines to be from repairs made or attempted by anyone other than MILWAUKEE authorized personnel, misuse, alterations, abuse, normal wear and tear, lack of maintenance, or accidents.

Normal Wear: Many power tools need periodic parts replacement and service to achieve best performance. This warranty does not cover repair when normal use has exhausted the life of a part including, but not limited to, chucks, brushes, cords, saw shoes, blade clamps, o-rings, seals, bumpers, driver blades, pistons, strikers, lifters, and bumper cover washers.

*This warranty does not cover Air Nailers & Staplers; Airless Paint Sprayer; Cordless Battery Packs; Gasoline Driven Portable Power Generators; Hand Tools; Hoist - Electric, Lever & Hand Chain; M12™ Heated Gear; Reconditioned Product; and Test & Measurement Products. There are separate and distinct warranties available for these products.

**The warranty period for Job Site Radios, M12™ Power Port, M18™ Power Source, Jobsite Fan and Trade Titan™ Industrial Work Carts is one (1) year from the date of purchase. The warranty period for the Drain Cleaning Cables is two (2) years from the date of purchase. The warranty period for the M18™ Compact Heat Gun and the 8 Gallon Dust Extractor is three (3) years from the date of purchase. The warranty period for the LED in the LED Work Light and the LED Upgrade Bulb for the Work Light is the lifetime of the product subject to the limitations above. If during normal use the LED or LED Bulb fails, the part will be replaced free of charge.

Warranty Registration is not necessary to obtain the applicable warranty on a MILWAUKEE power tool product. The manufacturing date of the product will be used to determine the warranty period if no proof of purchase is provided at the time warranty service is requested.

ACCEPTANCE OF THE EXCLUSIVE REPAIR AND REPLACEMENT REMEDIES DESCRIBED HEREIN IS A CONDITION OF THE CONTRACT FOR THE PURCHASE OF EVERY MILWAUKEE PRODUCT. IF YOU DO NOT AGREE TO THIS CONDITION, YOU SHOULD NOT PURCHASE THE PRODUCT. IN NO EVENT SHALL MILWAUKEE BE LIABLE FOR ANY INCIDENTAL, SPECIAL, CONSEQUENTIAL OR PUNITIVE DAMAGES, OR FOR ANY COSTS, ATTORNEY FEES, EXPENSES, LOSSES OR DELAYS ALLEGED TO BE AS A CONSEQUENCE OF ANY DAMAGE TO, FAILURE OF, OR DEFECT IN ANY PRODUCT INCLUDING, BUT NOT LIMITED TO, ANY CLAIMS FOR LOSS OF PROFITS. SOME STATES DO NOT ALLOW THE EXCLUSION OR LIMITATION OF INCIDENTAL OR CONSEQUENTIAL DAMAGES, SO THE ABOVE LIMITATION OR EXCLUSION MAY NOT APPLY TO YOU. THIS WARRANTY IS EXCLUSIVE AND IN LIEU OF ALL OTHER EXPRESS WARRANTIES, WRITTEN OR ORAL, TO THE EXTENT PERMITTED BY LAW, MILWAUKEE DISCLAIMS ANY IMPLIED WARRANTIES, INCLUDING WITHOUT LIMITATION ANY IMPLIED WARRANTY OF MERCHANTABILITY OR FITNESS FOR A PARTICULAR USE OR PURPOSE; TO THE EXTENT SUCH DISCLAIMER IS NOT PERMITTED BY LAW, SUCH IMPLIED WARRANTIES ARE LIMITED TO THE DURATION OF THE APPLICABLE EXPRESS WARRANTY AS DESCRIBED ABOVE. SOME STATES DO NOT ALLOW LIMITATIONS ON HOW LONG AN IMPLIED WARRANTY LASTS, SO THE ABOVE LIMITATION MAY NOT APPLY TO YOU. THIS WARRANTY GIVES YOU SPECIFIC LEGAL RIGHTS, AND YOU MAY ALSO HAVE OTHER RIGHTS WHICH VARY FROM STATE TO STATE.

This warranty applies to product sold in the U.S.A. and Canada only. Please consult the "Service Center Search" in the Parts & Service section of MILWAUKEE's website www.milwaukeetool.com or call 1.800.SAWDUST (1.800.729.3878) to locate your nearest service facility for warranty and non-warranty service on a Milwaukee electric power tool.

LIMITED WARRANTY - MEXICO, CENTRAL AMERICA & CARIBBEAN

TECHTRONIC INDUSTRIES' warranty is for 5 years since the original purchase date.

This warranty card covers any defect in material and workmanship on this Product.

To make this warranty valid, present this warranty card, sealed/stamped by the distributor or store where you purchased the product, to the Authorized Service Center (ASC). Or, if this card has not been sealed/stamped, present the original proof of purchase to the ASC. Call toll-free 01 (800) 030-7777 to find the nearest ASC, for service, parts, accessories or components.

Procedure to make this warranty valid

Take the product to the ASC, along with the warranty card sealed/stamped by the distributor or store where you purchased the product, and any faulty piece or component will be replaced without cost for you. We will cover all freight costs relative with this warranty process.

Exceptions

This warranty is not valid in the following situations

- a) When the product is used in a different manner from the end-user guide or instruction manual.
- b) When the conditions of use are not normal.
- c) When the product was modified or repaired by people not authorized by TECHTRONIC INDUSTRIES.

Note: If cord set is damaged, it should be replaced by an Authorized Service Center to avoid electric risks.

Model: _____

Date of Purchase: _____

Distributor or Store Stamp: _____

RÈGLES DE SÉCURITÉ GÉNÉRALES RELATIVES AUX OUTILS ÉLECTRIQUES

AVERTISSEMENT Lire toutes les consignes de sécurité, consignes, illustrations et spécifications fournies avec cet outil électrique. Ne pas suivre l'ensemble des règles et instructions peut entraîner une électrocution, un incendie ou des blessures graves. **Conservé les règles et les instructions à des fins de référence ultérieure.** Le terme «outil électrique» figurant dans les avertissements ci-dessous renvoie à l'outil électrique à alimentation par le réseau (à cordon) ou par batterie (sans fil).

SÉCURITÉ DU LIEU DE TRAVAIL

- **Veillez à ce que l'aire de travail soit propre et bien éclairée.** Le désordre et le manque de lumière favorisent les accidents.
- **Ne pas utiliser d'outils électriques dans des atmosphères explosives, par exemple en présence de liquides, gaz ou poussières inflammables.** Les outils électriques produisent des étincelles risquant d'enflammer les poussières ou vapeurs.
- **S'assurer que les enfants et les curieux se trouvent à une bonne distance au moment d'utiliser un outil électrique.** Les distractions peuvent causer une perte de contrôle.

SÉCURITÉ ÉLECTRIQUE

- **Les fiches des outils électriques doivent correspondre à la prise secteur utilisée.** Ne jamais modifier la fiche, de quelque façon que ce soit. Ne jamais utiliser d'adaptateurs de fiche avec des outils mis à la terre. Les fiches et prises non modifiées réduisent le risque de choc électrique.
- **Éviter tout contact avec des surfaces mises à la terre comme des tuyaux, des radiateurs, des cuisinières et des réfrigérateurs.** Le risque de choc électrique est accru lorsque le corps est mis à la terre.
- **Ne pas exposer les outils électriques à l'eau ou l'humidité.** La pénétration d'eau dans ces outils accroît le risque de choc électrique.
- **Ne pas maltraiter le cordon d'alimentation.** Ne jamais utiliser le cordon d'alimentation pour transporter l'outil électrique et ne jamais débrancher ce dernier en tirant sur le cordon. Garder le cordon à l'écart de la chaleur, de l'huile, des objets tranchants et des pièces en mouvement. Un cordon endommagé ou emmêlé accroît le risque de choc électrique.
- **Pour les travaux à l'extérieur, utiliser un cordon spécialement conçu à cet effet.** Utiliser un cordon conçu pour l'usage extérieur réduit les risques de choc électrique.
- **Si l'utilisation d'un outil électrique est inévitable dans un endroit humide, utiliser une source**

d'alimentation munie d'un disjoncteur de fuite de terre. L'utilisation d'un disjoncteur de fuite de terre réduit le risque de choc électrique.

SÉCURITÉ INDIVIDUELLE

- **Rester attentif, prêter attention au travail et faire preuve de bon sens lors de l'utilisation de tout outil électrique. Ne pas utiliser cet appareil en cas de fatigue ou sous l'influence de l'alcool, de drogues ou de médicaments.** Un moment d'inattention pendant l'utilisation d'un outil électrique peut entraîner des blessures graves.
- **Porter l'équipement de protection individuel requis. Toujours porter une protection oculaire.** Selon les conditions, porter aussi un masque antipoussières, des bottes de sécurité antidérapantes, un casque protecteur ou une protection auditive afin de réduire les blessures.
- **Empêcher les démarrages accidentels. S'assurer que la gâchette est en position d'arrêt avant de brancher l'outil à une source de courant, d'insérer la batterie, de le ramasser ou de le transporter.** Le fait de transporter un outil électrique en gardant le doigt sur la gâchette ou de mettre sous tension un outil électrique lorsque la gâchette est en position de marche favorise les accidents.
- **Retirer les clés de réglage avant de mettre l'outil en marche.** Une clé laissée sur une pièce rotative de l'outil peut causer des blessures.
- **Ne pas travailler hors de portée. Toujours se tenir bien campé et en équilibre.** Une bonne stabilité procure un meilleur contrôle de l'outil électrique en cas d'imprévu.
- **Porter une tenue appropriée. Ne porter ni vêtements amples, ni bijoux. Garder les cheveux et les vêtements à l'écart des pièces en mouvement.** Les vêtements flottants, les bijoux ou les cheveux longs risquent d'être happés par les pièces en mouvement.
- **Si les outils sont équipés de dispositifs de dépoussiérage, s'assurer qu'ils sont connectés et correctement utilisés.** L'utilisation d'un collecteur de poussière permet de réduire les dangers liés à la poussière.
- **Ne pas laisser la familiarité avec l'outil acquise par une utilisation fréquente vous rendre suffisant et vous amener à ignorer les règles de sécurité.** Une utilisation négligée peut causer une blessure grave en une fraction de seconde.

UTILISATION ET ENTRETIEN DE L'OUTIL ÉLECTRIQUE

- **Ne pas forcer l'outil électrique. Utiliser l'outil électrique approprié pour l'application.** Un outil électrique approprié exécutera le travail mieux et de façon moins dangereuse s'il est utilisé dans les limites prévues.
- **Ne pas utiliser l'outil électrique si le commutateur ne permet pas de le mettre en marche ou de l'arrêter.** Tout outil électrique qui ne peut pas être contrôlé par son commutateur est dangereux et doit être réparé.
- **Débrancher l'outil et/ou retirer le bloc-piles, si possible, avant d'effectuer des réglages, de changer d'accessoire ou de remettre l'outil.** Ces mesures de sécurité préventives réduisent les risques de démarrage accidentel de l'outil.
- **Entreposer l'outil électrique hors de la portée des enfants et interdire à quiconque de l'utiliser si la personne ne connaît pas bien le produit ou les instructions.** Les outils électriques sont dangereux dans les mains d'utilisateurs novices.

- **Entretenir les outils électriques et les accessoires. Vérifier qu'aucune pièce mobile n'est mal alignée ou bloquée, qu'aucune pièce n'est brisée et s'assurer qu'aucun autre problème risque d'affecter le bon fonctionnement de l'outil.** En cas de dommages, faire réparer l'outil avant de l'utiliser. Plusieurs accidents sont causés par des produits mal entretenus.
- **Garder les outils bien affûtés et propres.** Des outils correctement entretenus et dont les tranchants sont bien affûtés risquent moins de se bloquer et sont plus faciles à contrôler.
- **Utiliser l'outil électrique, les accessoires, les embouts etc. conformément à ces instructions en tenant compte des conditions de travail et de la tâche à effectuer.** L'usage d'un outil électrique pour des applications pour lesquelles il n'est pas conçu peut être dangereux.
- **Garder les poignées et les surfaces de préhension sèches, propres et exemptes d'huile ou de graisse.** Des poignées et des surfaces de préhension glissantes ne permettent pas de manipuler et de contrôler l'outil en toute sécurité en cas de situation imprévue.

UTILISATION ET ENTRETIEN DE LA BATTERIE

- **Pour recharger le bloc-piles, utiliser seulement le chargeur spécifié par le fabricant.** Un chargeur pouvant convenir à un type de bloc-piles peut entraîner un risque d'incendie lorsqu'il est utilisé avec un autre type de bloc-piles.
- **N'utiliser l'outil électrique qu'avec une batterie recommandée.** L'utilisation de tout autre bloc-piles peut créer un risque de blessures et d'incendie.
- **Lorsque le bloc-piles n'est pas utilisé, le tenir éloigné des objets en métal tels que les trombones, les pièces de monnaie, les clés, les clous, les vis ou d'autres petits objets métalliques qui pourraient connecter les bornes.** Le court-circuitage des bornes d'une pile peut entraîner des brûlures ou un incendie.
- **Éviter tout contact avec le liquide pouvant être éjecté de la pile en cas de manutention abusive.** En cas de contact accidentel, rincer immédiatement les parties atteintes avec de l'eau. Si le liquide entre en contact avec les yeux, consulter un médecin. Le liquide éjecté des piles peut causer des irritations ou des brûlures.
- **N'utiliser aucun bloc-piles ni aucun outil ayant été endommagé ou modifié.** Des piles endommagées ou modifiées peuvent adopter un comportement imprévisible pouvant causer un incendie, une explosion ou le risque de blessures.
- **Ne pas exposer le bloc-piles ou l'outil aux flammes ou à une température excessive.** Une exposition aux flammes ou à une température supérieure à 130°C (265°F) peut causer une explosion.
- **Suivre toutes les instructions de charge et ne pas charger le bloc-piles ou l'outil en dehors de la plage de température spécifiée.** Une charge incorrecte ou à des températures en dehors de la plage spécifiée peut endommager la pile et augmenter le risque d'incendie.

ENTRETIEN

- **Les réparations de l'outil électrique doivent être confiées à un technicien qualifié, utilisant exclusivement des pièces identiques à celles d'origine.** Le maintien de la sûreté de l'outil électrique sera ainsi assuré.
- **Ne jamais effectuer la réparation d'un bloc-piles**

endommagé. La réparation du bloc-piles doit être réalisée par le fabricant ou les fournisseurs de service agréés uniquement.

RÈGLES DE SÉCURITÉ SPÉCIFIQUES POUR MEULES

Règles de sécurité générales pour le meulage, le ponçage, le nettoyage à l'aide d'une brosse métallique ou le découpage à l'abrasif :

- **Cet outil électrique est conçu pour servir de meuleuse, de ponceuse, de brosse métallique ou d'outil de coupe. Consulter tous les avertissements de sécurité et toutes les instructions, les illustrations et les précisions fournis avec cet outil électrique.** Ne pas suivre l'ensemble des instructions décrites ci-dessous peut entraîner une électrocution, un incendie et/ou des blessures graves.
- **Il n'est pas recommandé d'utiliser cet outil électrique pour polir des pièces.** Le fait d'utiliser cet outil pour effectuer des tâches pour lesquelles il n'est pas conçu peut présenter un danger et entraîner des blessures.
- **Ne pas utiliser des accessoires qui ne sont pas spécialement conçus pour le modèle d'outil ou qui ne sont pas recommandés par le fabricant.** Le simple fait qu'un accessoire peut s'ajuster sur l'outil électrique ne signifie pas qu'il peut être utilisé en toute sécurité.
- **La vitesse nominale de l'accessoire doit au moins être égale à la vitesse maximale indiquée sur l'outil électrique.** Les accessoires qui sont utilisés à une vitesse supérieure à leur VITESSE NOMINALE peuvent se briser et se détacher.
- **Le diamètre extérieur et l'épaisseur de l'accessoire doivent être conformes à la capacité de l'outil électrique.** Il est impossible d'envelopper ou de contrôler adéquatement un accessoire de dimension inappropriée.
- **Le filetage des accessoires doit correspondre au filetage de la broche de la meuleuse. Pour les accessoires montés par des brides, le trou de l'arbre de l'accessoire doit s'ajuster avec le diamètre de positionnement de la bride.** Les accessoires qui ne conviennent pas à la pièce de montage de l'outil se déstabiliseront, vibreront de façon excessive et pourront causer une perte de contrôle.
- **Ne pas utiliser un accessoire endommagé. Inspecter l'accessoire avant chaque utilisation afin de s'assurer que les meules, par exemple, sont exemptes d'ébréchures et de fissures, que le plateau porte-disque est exempt de fissures et qu'il n'est pas usé de façon excessive, et que la brosse métallique ne comprend pas de fils détachés ou craquelés. Si l'outil électrique ou l'accessoire est échappé, s'assurer qu'il n'est pas endommagé ou installer un autre accessoire. Après avoir effectué cette opération, se tenir à distance de l'accessoire en rotation et faire fonctionner l'outil à sa vitesse maximale à vide pendant une minute. S'assurer que personne ne se tient à proximité de l'outil. Les accessoires endommagés se brisent généralement lors de cette vérification.**
- **Porter de l'équipement de protection de qualité professionnelle. Selon le type d'opération, porter un masque de protection ou des lunettes de sécurité. Au besoin, porter également un masque anti-poussières, un protecteur d'oreille, des gants et un tablier d'atelier résistant aux petits fragments abrasifs ou aux fragments provenant des pièces à travailler.** La protection oculaire utilisée doit résister aux débris projetés lors des différentes opérations. Le masque anti-poussières et le masque filtrant doivent

filtrer les particules produites lors de l'opération. Une exposition prolongée à un bruit fort peut entraîner une perte auditive.

- **S'assurer que personne ne se tient à proximité du lieu de travail. Toute personne qui entre sur le lieu de travail doit porter l'équipement de protection requis.** Des fragments provenant de la pièce à travailler ou d'un accessoire brisé peuvent être projetés et causer des blessures, même à des personnes se tenant à une certaine distance du lieu de travail immédiat.
- **Tenir l'outil par ses surfaces de préhension isolées lors des opérations pendant lesquelles l'accessoire de coupe peut entrer en contact avec du câblage caché.** Le contact d'un accessoire de coupe avec un fil « sous tension » « électrifié » les pièces métalliques exposées de l'outil et peut électrocuter l'utilisateur.
- **Ne jamais déposer l'outil électrique avant l'arrêt complet de l'accessoire.** L'accessoire en rotation peut attraper la surface et occasionner une perte de contrôle.
- **Ne jamais laisser l'outil électrique fonctionner en le transportant à ses côtés.** L'accessoire en rotation peut s'accrocher accidentellement aux vêtements et entrer en contact avec l'utilisateur.
- **Nettoyer régulièrement les événements d'aération de l'outil électrique.** Le ventilateur du moteur aspire la poussière dans le logement et crée une accumulation excessive de métal frité, ce qui peut causer un danger électrique.
- **Ne pas faire fonctionner l'outil électrique à proximité de matériaux inflammables.** Les étincelles peuvent enflammer ces matériaux.
- **Ne pas utiliser d'accessoires qui nécessitent des liquides de refroidissement.** L'utilisation d'eau ou d'un autre liquide de refroidissement peut entraîner une électrocution ou un choc électrique.

Rebonds et avertissements connexes

Un rebond est une réaction soudaine attribuable au pincement ou à l'accrochage de la meule, du plateau porte-disque, de la brosse ou de tout autre accessoire en rotation. Un pincement ou un accrochage provoque le blocage immédiat de l'accessoire en rotation qui, à son tour, entraîne l'outil incontrôlé dans le sens opposé à la rotation de l'accessoire, à l'endroit du coincement. Par exemple, si une meule abrasive est accrochée ou pincée par la pièce à travailler, le rebord de la meule qui entre dans le point de pincement peut s'enfoncer dans la surface du matériau, éjectant la meule ou la faisant rebondir. La meule peut sauter vers l'utilisateur ou loin de lui, selon le sens du mouvement de la meule au point de pincement. Dans ces conditions d'utilisation, les meules abrasives peuvent également se briser. Un rebond est attribuable à une mauvaise utilisation de l'outil ou au non-respect des procédures ou des conditions d'utilisation. Pour empêcher les rebonds, respecter les directives décrites ci-dessous.

- **Tenir fermement l'outil électrique et placer le corps et les mains de manière à pouvoir résister aux rebonds. Toujours utiliser la poignée auxiliaire, s'il y en a une, pour assurer un contrôle optimal en cas de rebond ou de réaction de couple lors du démarrage de l'outil.** L'utilisateur peut contrôler les rebonds et les réactions de couple s'il respecte les directives prescrites.
- **Ne jamais placer les mains à proximité de l'accessoire en rotation.** En cas de rebond, l'accessoire peut dévier sur celles-ci.
- **Ne pas positionner le corps à l'endroit où sera entraîné l'outil électrique si un rebond se produit.**

Un rebond entraînera l'outil dans le sens opposé au mouvement de la meule, à l'endroit de l'accrochage.

- **Faire preuve d'une extrême prudence au moment d'utiliser l'outil sur des coins ou des rebords tranchants.** Les coins, les rebords tranchants et les surfaces qui tressautent ont tendance à s'accrocher à la pièce en rotation et à causer une perte de contrôle ou des rebonds.
- **Ne pas fixer une lame de sculpteur pour scie à chaîne ou une lame de scie dentée.** Ces deux types de lames occasionnent de nombreux rebonds et des pertes de contrôle fréquentes.

Règles de sécurité spécifiques pour le meulage des pièces et le découpage à l'abrasif :

- **Utiliser seulement les types de meules recommandés pour cet outil électrique et le garde-meule spécialement conçu pour la meule utilisée.** Il est impossible d'envelopper de façon adéquate et sécuritaire les meules qui ne sont pas spécialement conçues pour l'outil électrique.
- **La surface de meulage des meules à moyeu déporté doit être montée en dessous du plan de la lèvre de protection.** Une meule mal montée projetant à travers le plan de la lèvre de protection ne peut pas être convenablement protégée.
- **Le garde-meule doit être fixé solidement à l'outil électrique et positionné de manière à garantir une sécurité optimale; il importe donc de diriger le moins possible la meule vers l'utilisateur.** La garde aide à protéger l'opérateur des fragments de meule brisés et d'un contact accidentel avec la meule ainsi que des étincelles pouvant enflammer les vêtements.
- **Utiliser seulement les meules pour effectuer des opérations pour lesquelles elles sont conçues. Par exemple : ne pas meuler avec le côté d'une meule à tronçonner.** Seule la périphérie des meules à tronçonner abrasives doit être utilisée pour le meulage. Le fait d'appliquer une force latérale sur ces meules peut provoquer leur éclatement.

- **Toujours utiliser des brides de meule non endommagées de formes et de dimensions convenables pour la meule choisie.** Les brides de meule adéquates soutiennent la meule, ce qui minimise les risques de bris de celle-ci. Les brides de meules à tronçonner peuvent différer des brides de meules standards.
- **Ne pas utiliser de meules usées qui proviennent d'outils électriques de plus grandes dimensions.** Les meules conçues pour des outils électriques de plus grandes dimensions ne conviennent pas à la vitesse plus élevée des outils de plus petites dimensions et peuvent éclater.

Règles de sécurité supplémentaires spécifiques pour le découpage à l'abrasif :

- **S'assurer que la meule à tronçonner ne se coince pas et éviter d'appliquer trop de pression. Ne pas régler la meule à une profondeur de coupe excessive.** Le fait d'appliquer trop de pression sur la meule augmente la charge, la tendance de la meule à se tordre ou à se coincer pendant la coupe, ainsi que les risques de rebond ou de bris de la meule.
- **Ne pas se tenir vis-à-vis de la meule en rotation ou derrière celle-ci.** Pendant l'opération, lorsque la meule s'éloigne de l'utilisateur, un rebond pouvant projeter la meule en rotation et l'outil électrique directement vers l'utilisateur peut se produire.
- **Si la meule se coince ou si l'opération de coupe est interrompue pour une raison quelconque, éteindre l'outil électrique et le maintenir immobile jusqu'à ce que la meule s'arrête complètement. Ne jamais essayer de retirer le disque abrasif de**

la coupe quand le disque est en mouvement, car ceci pourrait provoquer un rebond. Déterminer et éliminer la cause du blocage de la meule.

- **Ne pas remettre en marche l'outil si celui-ci est dans la pièce à travailler. Permettre à la meule d'atteindre sa vitesse maximale puis la réinsérer dans le trait de coupe avec précaution.** La meule risque de se coincer, de se soulever ou de rebondir si cette précaution n'est pas prise.
- **Soutenir les panneaux ainsi que toute pièce à travailler surdimensionnée afin de minimiser les risques de pincement de la meule et de rebond.** Les pièces à travailler de grandes dimensions ont tendance à fléchir sous leur propre poids. Il importe donc de disposer des supports sous la pièce à travailler, près du trait de coupe ainsi que du rebord de la pièce à travailler, des deux côtés de la meule.
- **Redoubler de prudence lors de la découpe d'évidements dans des cloisons ou autres endroits sans visibilité arrière.** La meule sortante peut couper les conduites d'eau ou de gaz, le câblage électrique, ainsi que tout autre objet pouvant provoquer un rebond.

Avertissements de sécurité spécifiques pour le ponçage :

- **Ne pas utiliser un papier pour disque abrasif surdimensionné. Suivre les recommandations du fabricant au moment de choisir le papier abrasif.** Un papier abrasif qui excède la surface du disque de ponçage présente un danger de lacération et peut provoquer l'ébarbage du disque, ou sa déchirure, ou entraîner un rebond du disque.

Règles de sécurité spécifiques pour le broissage métallique :

- **Porter une attention particulière à la brosse métallique, dont les poils peuvent être projetés même pendant une opération régulière. Éviter de surcharger les poils en appuyant sur la brosse de manière excessive.** Les poils de la brosse métallique peuvent pénétrer facilement dans les vêtements légers ou la peau.
- **S'il est recommandé d'installer un dispositif protecteur pour utiliser une brosse métallique, s'assurer qu'il n'entre pas en contact avec la brosse.** Le diamètre de la brosse métallique peut augmenter en raison de la charge et de la force centrifuge.

Règles de sécurité supplémentaires

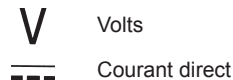
- **AVERTISSEMENT** Pour réduire le risque de blessures dans les applications qui produisent une quantité considérable de poussière, utilisez une solution d'extraction de poussière conforme à l'OSHA conformément aux instructions d'utilisation de la solution.
- **Toujours faire preuve de bons sens et procéder avec prudence lors de l'utilisation d'outils.** C'est impossible de prévoir toutes les situations dont le résultat est dangereux. Ne pas utiliser cet outil si vous ne comprenez pas ces instructions d'opération ou si vous pensez que le travail dépasse votre capacité; veuillez contacter Milwaukee Tool ou un professionnel formé pour recevoir plus d'information ou formation.
- **Maintenir en l'état les étiquettes et les plaques d'identification.** Des informations importantes y figurent. Si elles sont illisibles ou manquantes, contacter un centre de services et d'entretien MILWAUKEE pour un remplacement gratuit.

AVERTISSEMENT Certaines poussières générées par les activités de ponçage, de coupe, de rectification, de perforage et

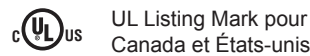
d'autres activités de construction contiennent des substances considérées être la cause de malformations congénitales et de troubles de l'appareil reproducteur. Parmi ces substances figurent:

- le plomb contenu dans les peintures à base de plomb;
- la silice cristalline des briques, du ciment et d'autres matériaux de maçonnerie, ainsi que
- l'arsenic et le chrome des sciages chimiquement. Les risques encourus par l'opérateur envers ces expositions varient en fonction de la fréquence de ce type de travail. Pour réduire l'exposition à ces substances chimiques, l'opérateur doit travailler dans une zone bien ventilée et porter l'équipement de sécurité approprié, tel qu'un masque anti-poussière spécialement conçu pour filtrer les particules microscopiques.

PICTOGRAPHIE

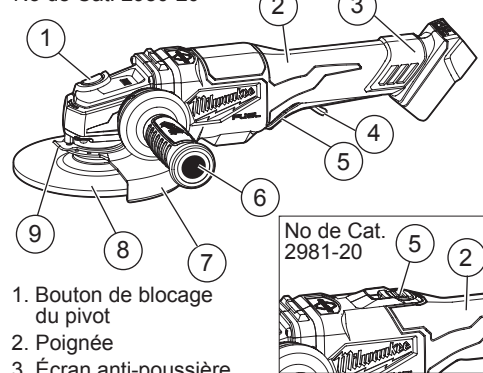


n XXXX min⁻¹ Tours-minute (RPM)



DESCRIPTION FONCTIONNELLE

No de Cat. 2980-20



1. Bouton de blocage du pivot
2. Poignée
3. Écran anti-poussière
4. Bouton de verrouillage (2980-20)
5. Gâchette à palettes (2980-20)
Interrupteur à glissière (2981-20)
6. Poignée latérale
7. Garde
8. Accessoire
9. Levier de verrouillage du protecteur

SPECIFICATIONS

Volts.....	18 CD
Type de batterie	M18™
Type de chargeur	M18™
Température ambiante de fonctionnement recommandée	-18°C à 50°C (0°F à 125°F)
No de Cat.....	2980-20
RPM.....	9 000
Dimension Pivot.....	5/8"-11
Capacité maximum.....	150 mm (6") x 6 mm (1/4")

No de Cat..... 2981-20
 RPM..... 9 000
 Dimension Pivot..... 5/8"-11
 Capacité maximum..... 150 mm (6") x 6 mm (1/4")

MONTAGE DE L'OUTIL

AVERTISSEMENT Ne recharger la batterie qu'avec le chargeur spécifié. Pour les instructions de charge spécifiques, lire le manuel d'utilisation fourni avec le chargeur et les batteries.

Retrait/insertion de la batterie

Pour retirer la batterie, enfoncer les boutons de déverrouillage et la tirer hors de l'outil.

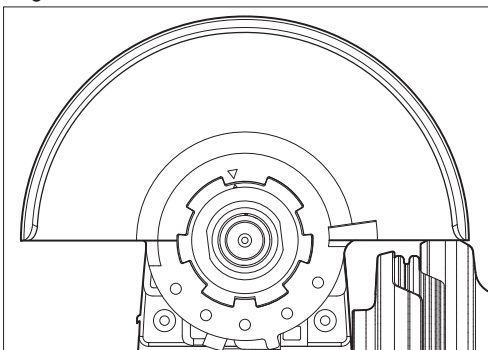
AVERTISSEMENT Il faut toujours retirer la batterie et verrouiller la détente de l'outil avant de changer ou d'enlever les accessoires.

Pour insérer la batterie, la glisser dans le corps de l'outil. S'assurer qu'elle est fixée solidement.

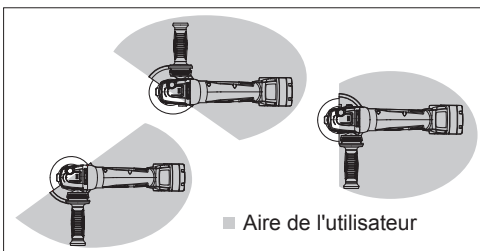
AVERTISSEMENT Pour minimiser les risques de blessures, toujours installer correctement le garde-meule approprié.

Installation, retrait et réglage du garde-meule
 L'outil est doté d'un garde-meule. Le garde-meule doit être utilisé lorsque l'outil sert de rectifieuse. Lorsque l'outil est employé comme ponceuse, il faut retirer le garde-meule.

1. Pour retirer le garde-meule, retirer la batterie et enlevez du pivot tous les accessoires.
2. Appuyez sur le levier de verrouillage et faites tourner le garde-meule pour aligner les pattes et les encoches tel qu'indiqué.
3. Appuyez sur le levier de verrouillage, relevez le garde et écartez-le de l'outil.



4. Pour installer le garde-meule, retirer la batterie et enlevez du pivot tous les accessoires.
REMARQUE : utiliser uniquement des meules de 114 mm (4-1/2") avec des protecteurs de 114 mm (4-1/2") (disponibles en accessoire). Utiliser uniquement des meules de 150 mm (6") avec des protecteurs de 150 mm (6").
5. Alignez les pattes et les encoches tel qu'indiqué.
6. Appuyez sur le levier de verrouillage et appuyez sur le garde pour le fixer en place.
7. Pour régler la position du garde-meule, appuyez sur le levier de verrouillage et faites tourner le garde vers une des cinq encoches de détente.
AVERTISSEMENT ! Toujours ajuster la garde pour fournir à l'opérateur une protection maximale pendant l'opération.



■ Aire de l'utilisateur

AVERTISSEMENT Pour réduire les risques de blessures, toujours utiliser la poignée latérale pendant le fonctionnement. Tenir l'outil fermement.

Pose de la poignée latérale

Il est possible d'installer la poignée latérale sur le dessus ou de l'un ou l'autre des côtés de la boîte d'engrenages. Placez la poignée sur le côté offrant la meilleure maîtrise de l'outil et la meilleure protection du garde-meule. Vissez la poignée dans la cavité fileté sur le côté de l'outil et serrez-la à fond.

AVERTISSEMENT Pour minimiser les risques de blessures, l'utilisateur devrait être formé au maniement, à l'entretien et à la protection des meules.

Sélection de la roue de meulage

Utilisez des meules qui sont :

- du calibre adéquat tel qu'indiqué sur la fiche signalétique de l'outil.
- d'un calibre (t/min.) égal ou supérieur à celui qui est indiqué sur la fiche signalétique de l'outil.
- du genre et de la texture adéquats pour la tâche. Le meulage s'effectue par l'action abrasive de milliers de grains abrasifs sur la face de la meule. Lorsque vous meulez des métaux comme l'acier et le fer, choisissez une meule en corindon. Pour la pierre et le béton, une meule de carbure de silicium et pour les métaux non ferreux, une meule renforcée de coton. Les meules de type 27 renforcées de 3,2 mm (1/8") conviennent pour de petits tronçonnages et des encoches seulement. Pour éviter de les endommager, manipulez les meules avec soin. Avant d'en installer une, inspectez-la pour y déceler des fissures. Si la meule est fissurée, disposez-en afin que personne d'autre ne puisse s'en servir.

Soin de meuler et meules à tronçonner

Les meules devraient être protégées de :

- l'eau et l'humidité.
 - les solvants de tous genres.
 - les brusques variations de température.
 - les chutes et les heurts.
- Les meules devraient être rangées :
- de façon systématique pour permettre le retrait de l'une sans déranger ou endommager les autres.
 - avec leur fiche signalétique.
- Les meules ne devraient pas :
- choir,
 - rouler,
 - heurter.

Si on laisse choir une meule, qu'on la roule, la heurte ou la soumet à de brusques changements de température, ou encore, si elle vient en contact avec des solvants ou de l'humidité, il vaut mieux en disposer immédiatement.

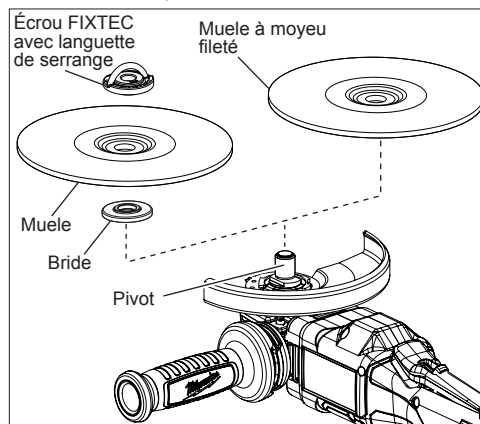
AVERTISSEMENT N'utilisez que des disques sécuritaire excède la vitesse de rotation mentionnée sur la fiche signalétique de l'outil. Cette vitesse de rotation est basée sur la résistance du disque en tenant compte de la sécurité. La vitesse de rotation indiquée n'est pas une norme de rendement, mais une norme de vitesse de rotation sécuritaire qu'il ne faut pas excéder.

Montage/démontage roue de meulage et des meules à tronçonner

S'assurer que la meule ne dépasse pas la partie inférieure du protecteur. Un protecteur plus grand peut être nécessaire pour les meules à moyeu fileté (voir « Accessoires »).

1. Retirer la batterie. **AVERTISSEMENT** ! Il faut toujours retirer la batterie et verrouiller la détente de l'outil avant de changer ou d'enlever les accessoires.
2. Placer le protège-meule correctement.
3. Essuyer la bride, l'écrou FIXTEC et la broche afin d'enlever la poussière et les débris. Inspecter les pièces afin de s'assurer qu'elles ne sont pas endommagées. Procéder à des remplacements, au besoin. Toujours utiliser la quincaillerie de montage MILWAUKEE conçue pour votre outil.
4. Placer la bride sur la broche, comme indiqué. Faites pivoter la bride jusqu'à ce qu'elle soit engagée sur la broche.

REMARQUE : Si vous utilisez une meule à moyeu fileté, n'installez pas la bride ni l'écrou FIXTEC.



5. Placer la meule sur la broche et l'aligner avec la flasque.
6. Appuyer sur le verrouillage de la broche. Avec la languette de serrage vers le haut, visser l'écrou FIXTEC vers la droite dans la broche. À l'aide de la languette de serrage de l'écrou FIXTEC saisir l'écrou et serrer fermement. Appuyer sur la languette de serrage vers le bas.
7. Pour retirer la meule, retirer la batterie et répéter les étapes dans l'ordre inverse.

REMARQUE : Dans certains cas, l'écrou FIXTEC peut être trop serré pour pouvoir être retiré à la main. Dans ce cas, utilisez la clé pour enlever.

Sélection des disques abrasifs

Utilisez des disques abrasifs qui sont :

- du calibre adéquat tel qu'indiqué sur la fiche signalétique de l'outil.

• du genre et de la texture adéquats pour la tâche.
 • d'un calibre (t/min.) égal ou supérieur à celui qui est indiqué sur la fiche signalétique de l'outil.

Consultez le tableau ci-dessous pour connaître le disque abrasif qui convienne à votre tâche. En général, utilisez des disques à 24 ou 36 grains pour le décapage robuste; 50, 60 ou 80 grains pour le décapage moyen et 120 pour la finition. Commencez toujours avec un disque à grains grossiers pour continuer avec des disques progressivement plus fins.

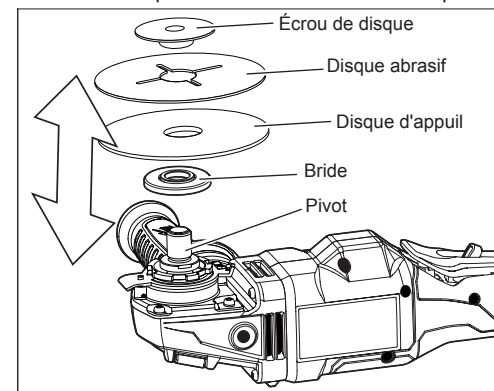
• **Corindon** : Pour abrasion rapide. Disque d'usage général convenant à la plupart des tâches sur les métaux. Idéal pour l'acier laminé à froid, l'acier inoxydable et les métaux exigeant un abrasif robuste et durable.

• **Aluminium-Zircone Bi-Cut** : Conception unique des grains formant un agglomérat rugueux pour extirper les dépôts et nettoyer rapidement. Idéal pour décaper sans encroûtagela peinture des autos, bateaux, fibre de verre, etc.

• **Céramique** : Dure trois fois plus longtemps qu'un disque en corindon. Pour le travail général sur les métaux, l'outil idéal pour les tâches robustes.

Installation du disque d'appui et du disque abrasif

1. Retirer la batterie. **AVERTISSEMENT** ! Il faut toujours retirer la batterie et verrouiller la détente de l'outil avant de changer ou d'enlever les accessoires.
2. Essuyer les accessoires, l'écrou du disque et la broche afin d'enlever la poussière et les débris. Procéder à des remplacements, au besoin. Toujours utiliser la quincaillerie de montage Milwaukee® conçue pour votre outil.
3. Placez la bride sur le pivot, comme indiqué.
4. Glissez le disque d'appui sur le pivot, côté plat éloigné de la boîte d'engrenages.
5. Placez le disque abrasif sur le disque d'appui et fixez-les au pivot à l'aide de l'écrou de disque.



6. Pour serrer, appuyez sur le bouton de blocage du pivot pendant que vous visserez l'écrou (sens horaire).
7. Pour retirer le disque d'appui et le disque abrasif, retirer la batterie et inversez le procédé.

Installation/retrait/nettoyage de l'écran anti-poussière

L'utilisation de l'écran anti-poussière améliore les performances et augmente la durée de vie de l'outil.

1. Pour fixer l'écran anti-poussière, enclencher l'écran sur la poignée de l'outil.

2. Pour **retirer** l'écran anti-poussière, insérer un tournevis plat dans l'encoche située en haut de l'écran anti-poussière et faire levier.
3. Pour **nettoyer** l'écran anti-poussière, tapoter contre une surface dure, ou souffler de l'air comprimé.

MANIEMENT

AVERTISSEMENT Afin de minimiser le risque de blessures, toujours porter la protection oculaire appropriée certifiée conforme à la norme ANSI Z87.1.

Lorsque des travaux sont faits dans des situations poussiéreuses, porter une protection respiratoire ou bien, utiliser une solution d'extraction de poussière conforme aux normes OSHA.

Démarrage contrôlé

La fonction de démarrage contrôlé réduit le « coup de bélier » du couple de réaction.

AVERTISSEMENT Toujours tenir l'outil fermement avec les deux mains avant de commencer à meuler.

Fonctionnement de la gâchette à palettes (2980-20)

Pour **démarrer** l'outil, tenir fermement la poignée latérale et la poignée de support. Pousser le bouton de verrouillage vers la droite et appuyer sur la gâchette à palettes.

Pour **arrêter** l'outil, relâcher la gâchette à palettes. S'assurer que l'outil est complètement arrêté avant de le déposer.

Fonctionnement de l'interrupteur à glissière (2981-20)

Pour **démarrer** l'outil, tenir fermement la poignée latérale et la poignée de support puis glisser l'interrupteur à la position ON (Marche).

Pour **arrêter** l'outil, relâcher la gâchette. S'assurer que l'outil est complètement arrêté avant de le déposer. Pour **verrouiller** l'interrupteur, le glisser à la position ON (Marche) puis enfoncer l'avant de l'interrupteur. Pour **arrêter** l'outil, appuyer sur l'interrupteur et le relâcher. S'assurer que l'outil est complètement arrêté avant de le déposer.

Fonctionnement général

1. Si vous venez tout juste d'installer un disque abrasif ou de commencer le travail, vérifiez la meule en la laissant tourner durant une minute avant de l'appliquer sur le matériau. **AVERTISSEMENT!** Ne jamais employer une meule qu'on a laissée tomber. Une meule déstabilisée peut marquer le matériau, causer des dommages à l'outil et imposer une contrainte irrésistible à la meule.
2. Utiliser un serre-joint, un étau ou tout autre moyen adéquat pour immobiliser la pièce à travailler et avoir les deux mains libres afin de mieux contrôler l'outil.
3. **AVERTISSEMENT!** Tenir l'outil de façon sécuritaire avec les deux mains. Démarrer l'outil. **N.B.** Si l'outil se bloque, relâcher la gâchette afin de le réinitialiser. Diminuer la pression pour éviter les blocages.
4. Laissez la meule atteindre son plein régime avant de commencer le meulage.
5. Contrôlez la pression et le contact du disque avec la pièce. **AVERTISSEMENT!** Ne jamais frapper la meule contre la pièce à travailler. L'application d'une pression excessive entraînera la défaillance

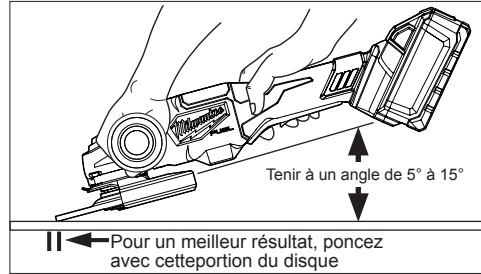
de l'outil ou la diminution de la vitesse.

6. Une fois l'opération terminée, mettre l'outil à l'arrêt et attendre que le moteur s'arrête complètement avant de déposer l'outil.

Utilisation des meules

AVERTISSEMENT Le type de garde doit correspondre au type de roues pour assurer une protection maximale pour l'opérateur si la roue doit être interrompu.

Tenez la ponceuse-rectifieuse à un angle de 5° à 15°, tel qu'indiqué et maintenez une pression constante pour obtenir un fini uniforme. Un angle trop grand occasionne une concentration de pression sur de petites surfaces et peut rainurer ou brûler la surface de la pièce à ouvrir.

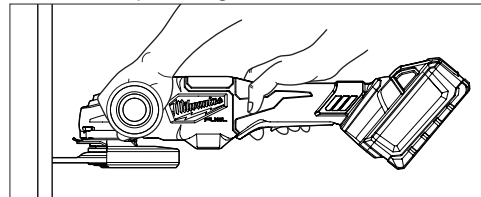


Emploi des meules à tronçonner

Disques à tronçonner sont adaptés pour la petite coupure, peu profonde entaille activités uniquement.

AVERTISSEMENT Le type de garde doit correspondre au type de roues pour assurer une protection maximale pour l'opérateur si la roue doit être interrompu.

Pour tronçonner, tenez la ponceuse-rectifieuse tel qu'indiqué et n'utilisez que le tranchant de la meule. **AVERTISSEMENT!** Il ne faut pas meuler avec le plat d'une meule à tronçonner. Cela pourrait causer l'éclatement de la meule et vous infliger des blessures corporelles graves.



Utilisation des brosses à fil d'acier

Les brosses à fils d'acier sont utiles pour enlever rouille, tartre, bavures, scories de soudure etc.

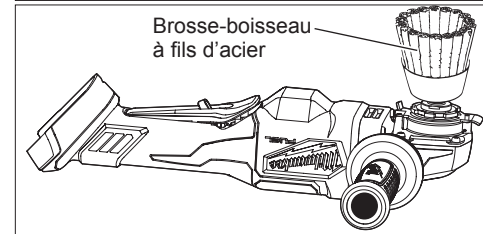
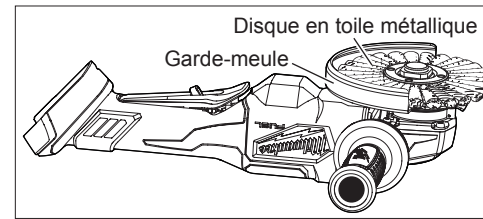
AVERTISSEMENT Toutes les personnes présentes dans l'aire de travail doivent porter des vêtements protecteurs,

des lunettes à coques latérales ou un masque facial. Les fils détériorés et les résidus s'envoleront de la brosse avec une force considérable, engendrant un risque de blessures graves.

N'excédez pas la vitesse de rotation sécuritaire pour laquelle la brosse à fils d'acier est calibrée. N'utilisez pas une brosse avariée ou une brosse qui ne fonctionne pas normalement (éjection de fils rompus, flottement etc.). Ces conditions augmentent les risques de bris et de blessures pouvant en résulter. Débarrassez-vous des brosses avariées et employez-en de nouvelles.

Un garde du type < 27 > doit être installé en utilisant une roue métallique pour assurer une protection maximale pour l'opérateur lorsque vous êtes fatigué des fils pause. (Voir "Installation/Retrait/Réglage de la garde".)

Toujours installer les brosses coupes métalliques conformément aux instructions du fabricant concernant les accessoires. Utilisez uniquement des accessoires au filetage correspondant à la broche de l'outil.



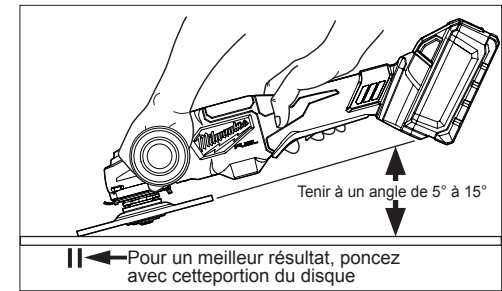
Inspectez la brosse à fils d'acier pour y déceler les fils rompus et en corriger le flottement. Pour effectuer ce test, faites tourner la brosse à vide durant au moins une minute avant de l'appliquer sur la pièce à ouvrir. Durant cette inspection, l'aire de travail devrait être évacuée.

Contrôler la pression et le contact de surface entre la meule et la pièce à travailler. Un excès de pression entraîne la sur-flexion des fils et l'accumulation de la chaleur ce qui provoque la rupture prématurée des fils, un ternissement précoce et une durabilité réduite de la brosse. Au lieu d'exercer plus de pression, essayez une meule circulaire dont l'action de coupe est plus agressive (augmentation de la taille du fil, diminution de la longueur du fil) ou un autre type de brosse (type à nœud contre type à fil serti).

Utilisation des disques abrasifs

Tenez la ponceuse-rectifieuse à un angle de 5° à 15°, tel qu'indiqué, afin d'assurer la pression de ponçage et le contrôle de l'outil. Si l'angle de ponçage est trop grand, il s'ensuivra trop de pression et une usure excessive du disque et du matériau. Si l'angle est trop étroit, le contrôle de l'outil en sera réduit.

Poncez par mouvements larges d'un côté à l'autre en avançant à chaque mouvement jusqu'à l'obtention du fini souhaitable.



Ponçage latéral - Pour finir une surface préalablement poncée avec un disque à grains grossier ou une meule, poncez à angle droit des marques laissées par le disque grossier. Les marques laissées par le ponçage précédent sont faciles à voir et à enlever. Si l'on néglige de poncer latéralement après un changement de disque, il pourra rester des rainures profondes et des marques circulaires à la fin du ponçage.

Ponçage des marques de soudure et de forgeage - Limitez l'emploi d'un disque à grains grossiers aux marques de soudure et de forgeage. Employez successivement des disques à grains plus fins pour lisser la surface.

Fini du métal - Déplacez constamment la ponceuse sur la surface. Travaillez plus prestement sur les endroits arrondis où le contact avec le disque est restreint et la pression plus grande. Une trop grande pression pourra laisser des marques à la fin d'un mouvement. Réduisez la pression vers la fin des mouvements d'un côté à l'autre pour éviter que les côtés ne soient trop usés à l'endroit où le mouvement revient sur lui-même.

Frein Électronique

Le frein s'enclenche lorsque la gâchette est relâchée, ce qui provoque l'arrêt du disque et vous permet de poursuivre votre travail. Généralement, le disque s'arrête dans les trois secondes, en fonction de la taille du disque. Si le temps de freinage augmente considérablement ou commence à manquer complètement, l'outil doit être réparé par un service après-vente agréé MILWAUKEE. Le frein ne remplacera pas la protection et vous devez toujours attendre l'arrêt complet du disque avant de poser l'outil.

Dépistage des dérangements

Les rayures profondes peuvent provenir de :

- Usage d'un grain trop grossier.
 - Usage d'un disque encroûté.
 - Saleté ou particules de métal sur le matériau à poncer.
 - Défaut de poncer perpendiculairement aux marques de ponçage grossier après changement de disque.
 - Défaut d'utiliser un disque à grains serrés. Les disques à grains serrés perdent moins souvent leurs grains sur la surface.
- Le bleuissement de la surface métallique indique une surchauffe qui peut provenir de :
- Surchauffe causée par un mouvement circulaire en es pace restreint.
 - Pression excessive.

ENTRETIEN

AVERTISSEMENT Pour minimiser les risques de blessures corporelles, débranchez le chargeur et retirez la batterie du chargeur ou de l'outil avant d'y effectuer des travaux d'entretien. Ne démontez jamais l'outil, la batterie ou le chargeur. Pour toute réparation, consultez un centre de service MILWAUKEE accrédité.

Entretien de l'outil

Gardez l'outil en bon état en adoptant un programme d'entretien ponctuel. Inspectez votre outil pour des questions telles que le bruit excessif, de grippage des pièces mobiles, de pièces cassées ou toute autre condition qui peut affecter le fonctionnement de l'outil. Retournez votre outil à un centre de service MILWAUKEE accrédité pour obtenir le service. Après une période pouvant aller de 6 mois à un an, selon l'usage, retournez votre outil à un centre de service MILWAUKEE accrédité pour d'inspection.

Si l'outil ne démarre pas ou ne fonctionne pas à pleine puissance alors qu'il est branché sur une batterie complètement chargée, nettoyez les points de contact entre la batterie et l'outil. Si l'outil ne fonctionne toujours pas correctement, renvoyez l'outil, le chargeur et la batterie à un centre de service MILWAUKEE accrédité.

AVERTISSEMENT Pour minimiser les risques de blessures ou de dommages à l'outil, n'immergez jamais l'outil, la batterie ou le chargeur et ne laissez pas de liquide s'y infiltrer.

Nettoyage

Débarassez les événements des débris et de la poussière. Gardez les poignées propres, à sec et exemptes d'huile ou de graisse. Le nettoyage doit se faire avec un linge humide et un savon doux. Certains nettoyants tels l'essence, la térébenthine, les diluants à laque ou à peinture, les solvants chlorés, l'ammoniaque et les détergents d'usage domestique qui en contiennent pourraient détériorer le plastique et l'isolation des pièces. Ne laissez jamais des solvants inflammables ou combustibles auprès des outils.

Réparations

Pour les réparations, retournez outil, batterie et chargeur en entier au centre-service le plus près.

ACCESSOIRES

AVERTISSEMENT L'utilisation d'autres accessoires que ceux qui sont spécifiquement recommandés pour cet outil peut comporter des risques.

Pour une liste complète des accessoires, visiter le site internet www.milwaukeetool.com ou contactez un distributeur.

SERVICE - CANADA

Milwaukee Tool (Canada) Ltd
1.800.268.4015

Monday-Friday, 7:00 AM - 4:30 PM CST
www.milwaukeetool.ca

GARANTIE LIMITÉE - AUX ÉTATS-UNIS ET AU CANADA

Chaque outil électrique* MILWAUKEE (voir exceptions ci-dessous) est garanti à l'acheteur d'origine uniquement pour être exempt de vices de matériaux et de fabrication. Sous réserve de certaines exceptions, MILWAUKEE réparera ou remplacera toute pièce d'un outil électrique qui, après examen par MILWAUKEE, s'est avérée être affectée d'un vice de matériau ou de fabrication et ce pendant une période de cinq (5) ans** à compter de la date d'achat, sauf indication contraire. Retourner l'outil électrique à un centre de réparation en usine MILWAUKEE ou à un poste d'entretien agréé MILWAUKEE, en port préparé et assuré. Une copie de la preuve d'achat doit être présentée lors du retour du produit. Cette garantie ne couvre pas les dommages que MILWAUKEE détermine être causés par des réparations ou des tentatives de réparation par quiconque autre que le personnel agréé par MILWAUKEE, ou par des utilisations incorrectes, des altérations, des utilisations abusives, une usage normale, une carence d'entretien ou des accidents.

Usure normale : Plusieurs outils électriques requièrent un remplacement et un entretien périodique de leurs pièces pour un meilleur rendement. Cette garantie ne couvre pas la réparation des pièces due à l'utilisation normale de l'outil, y compris, mais sans s'y limiter, les mandrins, les brosses, les cordes, les sabots de scie, les portelames, les joints toriques, les joints, les amortisseurs, les lames d'entraînement, les pistons, les perceurs, les crochets et les rondelles à couvercle amortisseur.

*Cette garantie ne s'applique pas aux clouuses-agrafeuses pneumatiques, aux pulvérisateurs à peinture sans air, aux blocs-piles pour outils sans fil, aux génératrices d'alimentation portatives à essence, aux outils à main, aux monte-charge - électriques, à levier et à chaîne, aux vestes chauffantes M12™, aux produits ré-usinés, ni aux produits d'essai et de mesure. Il existe des garanties séparées distinctes pour ces produits.

**La période de garantie applicable pour les radios de chantier, le port d'alimentation M12™, la source électrique M18™, le ventilateur de chantier et les chariots de travail industriels Trade Titan™ est d'une durée d'un (1) an à compter de la date d'achat. La période de garantie pour les Câbles de nettoyage des canalisations est de deux (2) ans à compter de la date d'achat. La période de garantie pour le Pistolet thermique compact M18™ et Dépoussiéreur de 8 gallons est de trois (3) ans à compter de la date d'achat. La période de garantie couvrant la DEL de la lampe de travail à DEL et l'ampoule améliorée à DEL de la lampe de travail est une garantie à vie du produit soumise aux limitations ci-dessus. En cas de défaillance de la DEL ou de l'ampoule à DEL pendant son utilisation normale, la pièce défaillante sera remplacée gratuitement.

L'enregistrement de la garantie n'est pas nécessaire pour bénéficier de la garantie en vigueur sur un outil électrique MILWAUKEE. La date de fabrication du produit servira à établir la période de garantie, si aucune preuve d'achat n'est fournie lorsqu'une demande de service sous garantie est déposée.

L'ACCEPTATION DES RECOURS EXCLUSIFS DE RÉPARATION ET DE REMPLACEMENT DÉCRITS DANS LES PRÉSENTES EST UNE CONDITION DU CONTRAT D'ACHAT DE TOUT PRODUIT MILWAUKEE. SI VOUS N'ACCEPTÉZ PAS CETTE CONDITION, VOUS NE DEVEZ PAS ACHETER LE PRODUIT. EN AUCUN CAS, MILWAUKEE NE SAURAIT ÊTRE RESPONSABLE DE TOUT DOMMAGE ACCESSOIRE, SPÉCIAL OU INDIRECT, DE DOMMAGES-INTÉRÊTS PUNITIFS OU DE TOUTE DÉPENSE, D'HONORAIRES D'AVOCAT, DE FRAIS, DE PERTE OU DE DÉLAIS ACCESSOIRES À TOUT DOMMAGE, DÉFAILLANCE OU DÉFAUT DE TOUT PRODUIT, Y COMPRIS NOTAMMENT LES PERTES DE PROFIT. CERTAINS ÉTATS ET PROVINCES NE PERMETTANT L'EXCLUSION OU LA LIMITATION DES DOMMAGES DIRECTS OU INDIRECTS, LES RESTRICTIONS CI-DESSUS PEUVENT NE PAS VOUS ÊTRE APPLICABLES. CETTE GARANTIE EST EXCLUSIVE ET REMPLACE TOUTE AUTRE GARANTIE EXPRESSE, QU'ELLE SOIT VERBALE OU ÉCRITE. DANS LA MESURE PERMISE PAR LA LOI, MILWAUKEE RENONCE À TOUTE GARANTIE IMPLICITE, Y COMPRIS, MAIS SANS S'Y LIMITER, TOUTE GARANTIE IMPLICITE DE QUALITÉ MARCHANDE OU D'ADAPTATION À UNE UTILISATION OU À UNE FIN PARTICULIÈRE. DANS LA MESURE OU UNE TELLE STIPULATION D'EXONÉRATION N'EST PAS PERMISE PAR LA LOI, LA DURÉE DE CES GARANTIES IMPLICITES EST LIMITÉE À LA PÉRIODE APPLICABLE À LA GARANTIE EXPRESSE, TEL QUE CELA EST DÉCRIT PRÉCÉDEMMENT. CERTAINS ÉTATS ET PROVINCES NE PERMETTANT PAS DE LIMITATION DE DURÉE DES GARANTIES IMPLICITES, LES RESTRICTIONS CI-DESSUS PEUVENT DONC NE PAS VOUS ÊTRE APPLICABLES. LA PRÉSENTE VOUS CONFÈRE DES DROITS LÉGAUX PARTICULIERS; VOUS BÉNÉFICIEZ ÉGALEMENT D'AUTRES DROITS QUI VARIENT D'UN ÉTAT À UN AUTRE.

Cette garantie s'applique aux produits vendus aux États-Unis et au Canada uniquement. Veuillez consulter la rubrique Centre SAV Milwaukee, dans la section Pièces et Services du site Web de MILWAUKEE, à l'adresse www.milwaukeetool.com, ou composer le 1-800-SAWDUST (1-800-729-3878) afin de trouver le centre de service de votre région le plus proche pour l'entretien, sous garantie ou non, de votre outil électrique Milwaukee.

GARANTIE LIMITÉE - MEXIQUE, AMÉRIQUE CENTRALE ET CARAÏBES

TECHTRONIC INDUSTRIES* garantit le produit pendant 5 ans à partir de la date d'achat d'origine. Le présent bon de garantie couvre tous les vices de matériau et de fabrication que peut afficher ce produit. Pour assurer la validité de la présente garantie, veuillez présenter ce bon de garantie, estampillé du sceau du distributeur ou du magasin où le produit a été acheté, au centre de réparations agréé. Si le bon de garantie n'a pas été estampillé, veuillez fournir la preuve d'achat d'origine au centre de réparations agréé. Pour un entretien des pièces, des accessoires ou des composants, composer sans frais le 1-800-030-7777 afin d'obtenir les coordonnées du centre de réparations agréé le plus près.

Procédure pour assurer la validité de la garantie

Présenter le produit au centre de réparations agréé, accompagné du bon de garantie estampillé du sceau du distributeur ou du magasin où le produit a été acheté. Toute pièce défectueuse ou tout composant défectueux sera remplacé(e) sans frais. Milwaukee assume tous les frais de transport liés à ce processus de garantie.

Exceptions

Cette garantie ne s'applique pas dans les situations suivantes :

- Si le produit a été utilisé pour une fin autre que celle indiquée dans le guide de l'utilisateur final ou le manuel d'instructions.
- Si les conditions d'utilisations ne sont pas habituelles.
- Si le produit a été modifié ou réparé par une personne non autorisée par TECHTRONIC INDUSTRIES.

Remarque : Si le cordon électrique est endommagé, il doit être remplacé par un centre de réparations agréé pour éviter les risques d'électrocution.

CENTRE DE RÉPARATIONS ET DE SERVICE
Composer le 01 (800) 030-7777

IMPORTÉ ET COMMERCIALISÉ PAR
TECHTRONIC INDUSTRIES, MEXIQUE, SA DE CV
Av President Masarik #29 piso 7, Col. Polanco V Sección
CP 11560, Deleg. Miguel Hidalgo, CDMX

Modèle : _____

Date d'achat : _____

Sceau du distributeur ou du magasin : _____

ADVERTENCIAS DE SEGURIDAD GENERALES PARA LA HERRAMIENTA ELÉCTRICA

ADVERTENCIA Lea todas las advertencias de seguridad, instrucciones, ilustraciones y especificaciones con esta herramienta eléctrica. Si no sigue todas las advertencias e instrucciones, se pueden provocar una descarga eléctrica, un incendio o lesiones graves. **Guarde todas las advertencias e instrucciones para consultarlas en el futuro.** El término "herramienta eléctrica" en todas las advertencias incluidas más abajo se refiere a su herramienta operada por conexión (cable) a la red eléctrica o por medio de una batería (inalámbrica).

SEGURIDAD EN EL ÁREA DE TRABAJO

- **Mantenga el área de trabajo limpia y bien iluminada.** Las áreas desordenadas u oscuras son propicias para los accidentes.
- **No utilice herramientas eléctricas en atmósferas explosivas, tales como en presencia de líquidos, gases o polvos inflamables.** Las herramientas eléctricas generan chispas que pueden encender el polvo o los vapores.
- **Mantenga a los niños y a los espectadores alejados mientras utiliza una herramienta eléctrica.** Las distracciones pueden ocasionar la pérdida de control.

SEGURIDAD ELÉCTRICA

- **Los enchufes de la herramienta eléctrica deben coincidir con el tomacorriente. Nunca modifique el enchufe de ninguna manera. No utilice adaptadores de enchufe con herramientas eléctricas aterrizadas.** Los enchufes y tomacorrientes correspondientes sin modificar reducirán el riesgo de descarga eléctrica.
- **Evite el contacto corporal con superficies aterrizadas, tales como tuberías, radiadores, estufas y refrigeradores.** Existe un riesgo mayor de descarga eléctrica si su cuerpo está aterrizado.
- **No exponga las herramientas eléctricas a la lluvia ni a condiciones húmedas.** Si se introduce agua en una herramienta eléctrica, aumentará el riesgo de descarga eléctrica.
- **No maltrate el cable. Nunca utilice el cable para cargar, jalar o desconectar la herramienta eléctrica. Mantenga el cable alejado del calor, el aceite, los bordes afilados o las partes en movimiento.** Los cables dañados o enredados aumentan el riesgo de descarga eléctrica.
- **Al utilizar una herramienta eléctrica en exteriores, utilice una extensión adecuada para uso en exteriores.** El uso de una extensión adecuada para el uso en exteriores disminuye el riesgo de descarga eléctrica.
- **Si es inevitable utilizar una herramienta eléctrica en un lugar húmedo, utilice un alimentador de corriente protegido con un interruptor de circuito por falla de conexión a tierra (GFCI).** El uso de un GFCI reduce el riesgo de descarga eléctrica.

SEGURIDAD PERSONAL

- **Manténgase alerta, atento a lo que está haciendo y utilice el sentido común al utilizar una herramienta eléctrica. No utilice una herramienta eléctrica mientras está cansado o bajo la influencia de drogas, alcohol o medicamentos.** Un momento de distracción al utilizar herramientas eléctricas puede ocasionar lesiones personales graves.
- **Utilice equipo de protección personal. Siempre use protección para los ojos.** El equipo de protección, tal como una máscara contra polvo, calzado antideslizante, casco o protección auditiva, utilizado para condiciones adecuadas disminuirá las lesiones personales.
- **Evite el arranque accidental. Asegúrese de que el interruptor esté en la posición de apagado antes de conectarlo a una fuente de poder y/o batería, levantar o trasladar la herramienta.** Trasladar herramientas con el dedo en el interruptor o energizar herramientas eléctricas que tienen el interruptor encendido propicia accidentes.
- **Retire cualquier llave de ajuste antes de entender la herramienta.** Una llave que se deje insertada en una parte giratoria de la herramienta eléctrica puede ocasionar lesiones personales.
- **No estire el cuerpo demasiado. Mantenga un buen contacto entre los pies y el suelo y mantenga el equilibrio en todo momento.** Esto permite un mejor control de la herramienta eléctrica en situaciones inesperadas.
- **Vístase adecuadamente. No utilice ropa o joyería holgada. Mantenga el cabello y la ropa alejados de las partes móviles.** La ropa holgada, las alhajas o el cabello largo pueden quedarse atrapados en las partes móviles.
- **Si se proporcionan dispositivos para la conexión de instalaciones de extracción y recolección de polvo, cerciórese de que estén conectados y se utilicen correctamente.** El uso de dispositivos recolectores de polvo puede disminuir los riesgos relacionados con el polvo.

•No permita que la familiaridad por el uso frecuente de las herramientas lo hagan sentirse seguro e ignoren los principios de seguridad de las herramientas. Un descuido puede provocar lesiones graves en una fracción de segundo.

USO Y CUIDADO DE LAS HERRAMIENTAS ELÉCTRICAS

- No fuerce la herramienta eléctrica. Utilice la herramienta eléctrica correcta para su aplicación. La herramienta eléctrica correcta realizará el trabajo mejor y con mayor seguridad a la velocidad para la que fue diseñada.
- No utilice la herramienta eléctrica si el interruptor no la enciende y la apaga. Cualquier herramienta eléctrica que no pueda controlarse con el interruptor es peligrosa y debe repararse.
- Desconecte el enchufe de la fuente de energía y/o quite la batería de la herramienta eléctrica, si es posible, antes de realizar cualquier ajuste, cambiar accesorios o almacenar las herramientas eléctricas. Tales medidas preventivas de seguridad disminuyen el riesgo de que la herramienta eléctrica se encienda accidentalmente.
- Almacene las herramientas eléctricas que no se estén utilizando fuera del alcance de los niños y no permita que personas que no estén familiarizadas con la herramienta eléctrica o con estas instrucciones la utilicen. Las herramientas eléctricas son peligrosas en manos de usuarios sin capacitación.
- Dé mantenimiento a las herramientas eléctricas y accesorios. Verifique que no haya desalinación, amarre de partes móviles, partes rotas o alguna otra condición que pueda afectar el funcionamiento de la herramienta eléctrica. Si se daña, asegúrese de que la herramienta eléctrica sea reparada antes de que se utilice. Muchos accidentes son ocasionados por herramientas eléctricas con mantenimiento deficiente.
- Mantenga las herramientas de corte afiladas y limpias. Las herramientas de corte correctamente mantenidas con bordes de corte afilados son menos propensas a atorarse y son más fáciles de controlar.
- Utilice la herramienta eléctrica, los accesorios y las puntas, etc. de acuerdo con estas instrucciones, tomando en cuenta las condiciones de trabajo y el trabajo a realizar. El uso de la herramienta eléctrica para operaciones diferentes a las previstas podría generar una situación peligrosa.
- Mantenga las empuñaduras y ñas superficies de sujeción secas, limpias y libres de aceite y grasa. Las empuñaduras y superficies de sujeción resbalosas no permiten el manejo y control seguros de la herramienta en situaciones inesperadas.

USO Y CUIDADO DE LAS HERRAMIENTAS CON BATERÍA

- Recargue únicamente con el cargador especificado por el fabricante. Un cargador que es adecuado para un tipo de batería puede crear un riesgo de incendio si se utiliza con otra batería.
- Utilice las herramientas eléctricas únicamente con baterías específicamente diseñadas. El uso de cualquier otra batería puede producir un riesgo de lesiones e incendio.
- Cuando la batería no esté en uso, manténgala alejada de otros objetos metálicos como sujetapapeles, monedas, llaves, clavos, tornillos u otros objetos metálicos pequeños que puedan formar una conexión de una terminal a otra. Crear un corto entre las terminales de la batería puede ocasionar quemaduras o un incendio.

- Bajo condiciones de maltrato, el líquido puede ser expulsado de la batería, evite el contacto. En caso de contacto accidental, lave con agua. Si el líquido entra en contacto con los ojos, busque además ayuda médica. El líquido expulsado de la batería puede causar irritación o quemaduras.
- No use una batería o herramienta que se haya dañado o modificado. Las baterías dañadas o modificadas pueden mostrar un comportamiento impredecible, causando incendios, explosión o riesgo de lesión.
- No exponga una batería o herramienta al fuego o a temperatura excesiva. La exposición a fuego o temperatura a más de 130° C (265° F) puede causar explosiones.
- Siga todas las instrucciones de carga y no cargue la batería o la herramienta fuera del rango de temperatura especificado en las instrucciones. La carga incorrecta o a temperaturas fuera del rango especificado puede dañar la batería y aumentar el riesgo de incendio.

MANTENIMIENTO

- Lleve su herramienta eléctrica a servicio con un técnico calificado que use únicamente piezas de reemplazo idénticas. Esto asegurará que la seguridad de la herramienta eléctrica se mantenga.
- Nunca dé servicio a baterías dañadas. Únicamente el fabricante o proveedores de servicio autorizados deben dar servicio a las baterías.

REGLAS ESPECÍFICAS DE SEGURIDAD PARA AMOLADORAS

Advertencias de seguridad comunes para operaciones de rectificado, lijado, cepillado con alambre, pulido o corte abrasivo:

- Esta herramienta eléctrica está diseñada para funcionar como rectificadora, lijadora, cepillo de alambre, pulidora o herramienta de corte. Lea todas las advertencias, instrucciones e ilustraciones de seguridad y las especificaciones provistas con esta herramienta eléctrica. El incumplimiento de cada una de las instrucciones que se enumeran a continuación podría provocar una descarga eléctrica, incendio y/o lesiones graves.
- No se recomienda la realización de operaciones como pulido con esta herramienta eléctrica. Las operaciones para las que no se diseñó esta herramienta eléctrica pueden crear un riesgo y causar lesiones personales.
- No use accesorios que no estén específicamente diseñados y recomendados por el fabricante de la herramienta. No es suficiente con que el accesorio pueda acoplarse a la herramienta para garantizar una operación segura.
- La velocidad nominal del accesorio debe ser al menos equivalente a la velocidad máxima marcada en la herramienta eléctrica. Los accesorios que operan a una velocidad mayor que su VELOCIDAD NOMINAL pueden quebrarse y lanzar piezas al aire.
- El diámetro exterior y el grosor de su accesorio deben estar dentro de la clasificación de capacidad de su herramienta eléctrica. Los accesorios de tamaño incorrecto no pueden resguardarse o controlarse correctamente.
- El montaje roscado de accesorios debe corresponder a la rosca del husillo de la amoladora. Para accesorios que se montan mediante bridas, el orificio del eje del accesorio debe encajar en el diámetro localizador de la brida. Los accesorios que no coincidan con la tornillería de montaje de la

herramienta eléctrica se desbalancearán, vibrarán excesivamente y pueden ocasionar pérdida de control.

- No utilice un accesorio dañado. Antes de cada uso, inspeccione el accesorio, por ejemplo, el disco abrasivo para detectar desportilladuras y grietas, el soporte para detectar grietas y desgastes excesivos, el cepillo de alambre para detectar alambres sueltos o quebrados. Si la herramienta eléctrica o el accesorio cae al suelo, inspecciónelo para detectar daños o instale un accesorio sin daños. Después de inspeccionar e instalar un accesorio, tanto usted como los espectadores deben colocarse alejados del plano del accesorio giratorio y hacer operar la herramienta eléctrica a la máxima velocidad sin carga durante un minuto. Los accesorios dañados normalmente se romperán durante este tiempo de prueba.
 - Utilice equipo de protección personal. Dependiendo de la aplicación, utilice una careta, gafas o lentes de seguridad. Según corresponda, utilice mascarilla para polvo, protectores auditivos, guantes y mandil de taller capaz de detener pequeños fragmentos abrasivos o de la pieza de trabajo. La protección ocular debe ser capaz de detener residuos voladores generados por las distintas operaciones. La mascarilla para polvo o el respirador debe ser capaz de filtrar partículas generadas por su operación. La exposición prolongada al ruido de alta intensidad puede ocasionar pérdida auditiva.
 - Mantenga a los espectadores a una distancia segura del área de trabajo. Toda persona que entre al área de trabajo debe utilizar equipo de protección personal. Los fragmentos de la pieza de trabajo o de un accesorio roto pueden salir volando y causar lesiones más allá del área inmediata de operación.
 - Al realizar una operación donde el accesorio de corte pueda entrar en contacto con oculto cableado, sostenga la herramienta eléctrica únicamente de las superficies de empuñadura. El contacto del accesorio de corte con la electricidad puede hacer que las partes metálicas de la herramienta se electrifiquen y podría ocasionar una descarga eléctrica al operador.
 - Nunca coloque la herramienta eléctrica sobre una superficie hasta que el accesorio se haya detenido por completo. El accesorio giratorio puede agarrar la superficie y jalar la herramienta eléctrica, quitándole el control.
 - No opere la herramienta eléctrica mientras la carga al lado de su cuerpo. El contacto accidental con el accesorio giratorio podría ocasionar que su ropa se enganchara, jalando el accesorio hacia su cuerpo.
 - Limpie periódicamente las rejillas de ventilación de la herramienta eléctrica. El ventilador del motor atraerá el polvo hacia el interior de la carcasa y la acumulación excesiva de metal en polvo puede causar riesgos eléctricos.
 - No opere la herramienta eléctrica cerca de materiales inflamables. Las chispas podrían incendiar estos materiales.
 - No utilice accesorios que requieran enfriadores líquidos puede ocasionar electrocución o descarga eléctrica.
- Contragolpe y advertencias relacionadas**
El contragolpe es una reacción repentina a un disco giratorio, soporte, cepillo o cualquier otro accesorio que se atora o engancha. Los atorones o enganchamientos ocasionan el paro rápido del accesorio giratorio, lo que a su vez ocasiona que la herramienta eléctrica sin

control sea forzada en dirección contraria a la rotación del accesorio en el punto de unión.

Por ejemplo, si un disco abrasivo se atora o engancha con la pieza de trabajo, el borde del disco que está entrando en el punto de agarre puede enterrarse en la superficie del material, ocasionando que el disco se salga o se bote. El disco puede saltar hacia el operador o en dirección contraria, dependiendo de la dirección del movimiento del disco en el momento del contacto. Los discos abrasivos también pueden quebrarse bajo estas condiciones.

El contragolpe es el resultado del uso incorrecto de la herramienta eléctrica y/o de procedimientos o condiciones de operación incorrectos y puede evitarse tomando las precauciones correspondientes que se indican a continuación.

- Mantenga un agarre firme de la herramienta eléctrica y posicione su cuerpo y su brazo para permitirle resistir las fuerzas del contragolpe. Siempre utilice una empuñadura auxiliar, si se proporciona, para máximo control sobre el contragolpe o la reacción de torque durante el arranque. El operador puede controlar las acciones de torque o las fuerzas de contragolpe si se toman las precauciones correspondientes.
- Nunca coloque su mano cerca del accesorio giratorio. El accesorio puede golpearle la mano con el contragolpe.
- No coloque su cuerpo en el área hacia donde se moverá la herramienta eléctrica en caso de que ocurra contragolpe. El contragolpe impulsará la herramienta en la dirección contraria al movimiento del disco en el punto de enganchamiento.
- Ponga especial cuidado al trabajar en esquinas, bordes afilados, etc. Evite hacer rebotar y enganchar el accesorio. Las esquinas, los bordes afilados o el rebote tienen una tendencia a ocasionar enganchamientos del accesorio giratorio y ocasionar pérdida de control o contragolpe.
- No coloque una hoja de cadena para tallar madera ni una hoja de sierra dentada. Estas hojas generan contragolpes frecuentes y pérdida de control.

Advertencias de seguridad específicas para operaciones de rectificado y corte abrasivo:

- Utilice únicamente los tipos de discos que se recomiendan para su herramienta eléctrica y la guarda específica diseñada para el disco seleccionado. Los discos para los cuales no se diseñó la herramienta eléctrica no pueden resguardarse adecuadamente y son inseguros.
- La superficie de esmerilado de los discos con centro hundido debe montarse debajo del plano del borde de la guarda. Un disco montado incorrectamente que se extienda más allá del plano del borde de la guarda no puede ser debidamente protegido.
- La guarda debe colocarse firmemente en la herramienta eléctrica y posicionarse para máxima seguridad, de manera que la mínima cantidad de disco quede expuesta hacia el operador. La guarda ayuda a proteger al operario de fragmentos rotos de disco y de contacto accidental con el disco y chispas que podrían incendiar la ropa.
- Los discos deben usarse únicamente para las aplicaciones recomendadas. Por ejemplo: no rectifique con el costado del disco para corte. Los discos de corte abrasivo tienen por objeto utilizarse en rectificado periférico. Si se aplican fuerzas laterales a estos discos, pueden ocasionar quebradura.

• Siempre utilice bridas de discos sin daños que sean del tamaño y forma correctos para el disco seleccionado. Las bridas de disco correctas proveen soporte al disco, reduciendo así la posibilidad de quebradura del mismo. Las bridas de los discos de corte pueden ser diferentes de las vidas de los discos de rectificad.

• No utilice discos desgastados de herramientas eléctricas más grandes. Los discos diseñados para herramientas eléctricas más grandes no son adecuados para la mayor velocidad de una herramienta de menor tamaño y pueden explotar.

Advertencias de seguridad específicas adicionales para operaciones de corte abrasivo:

• No inserte a la fuerza el disco de corte ni aplique presión excesiva. No intente hacer una profundidad de corte excesiva. Aplicar un exceso de presión al disco aumenta la carga y la susceptibilidad de que el disco se tuerza o se trabaje en el corte y la posibilidad de contragolpe o ruptura del disco.

• No posicione su cuerpo en línea con el disco giratorio ni detrás del mismo. Cuando el disco, en el punto de operación, se esté alejando de su cuerpo, el posible contragolpe puede impulsar el disco giratorio y la herramienta eléctrica directamente hacia usted.

• Cuando el disco se esté amarrando o cuando se interrumpa un corte por cualquier motivo, apague la herramienta eléctrica y sosténgala inmóvil hasta que el disco se detenga por completo. Nunca intente retirar el disco del corte mientras aún esté en movimiento, pues puede ocurrir contragolpe. Investigue y siga una acción correctiva para eliminar la causa del amarre del disco.

• No reinicie la operación de corte dentro la pieza de trabajo. Deje que el disco alcance la velocidad total y cuidadosamente vuelva a introducirlo al corte. El disco puede amarrarse, irse hacia arriba o generar contragolpe si la herramienta eléctrica se reinicia dentro de la pieza de trabajo.

• Provea soporte para los paneles o cualquier pieza de trabajo de gran tamaño para minimizar el riesgo de pellizcamiento y contragolpe del disco. Las piezas de trabajo grandes tienden a pandearse con su propio peso. Deben colocarse soportes debajo de la pieza de trabajo, cerca de la línea de corte y cerca del borde de la pieza de trabajo a ambos lados del disco.

• Use precaución adicional al hacer un "corte de bolsillo" en muros existentes u otras áreas donde no haya visibilidad. El disco saliente puede cortar líneas de gas o agua, cables eléctricos u otros objetos, lo que puede genera contragolpe.

Advertencias de seguridad específicas para operaciones de lijado:

• No utilice lijas excesivamente grandes para los discos de lijado. Siga las recomendaciones del fabricante al seleccionar la lija. El papel lija más grande que se extiende más allá del soporte de lijado representa un riesgo de laceración y puede causar atorones, desgarre del disco o contragolpe.

Advertencias de seguridad específicas para operaciones de cepillado con alambre:

• Tenga en cuenta que las cerdas de alambre se desprenden del cepillo incluso durante la operación ordinaria. No aplique presión excesiva a los alambres aplicando demasiada carga al cepillo. Las cerdas de alambre pueden penetrar fácilmente la ropa ligera y/o la piel.

• Si se recomienda el uso de una guarda para el cepillado con alambre, no permita que haya ninguna interferencia del disco o cepillo de alambre con la guarda. El diámetro del disco o cepillo de alambre puede expandirse debido a la carga de trabajo y las fuerzas centrífugas.

Advertencias de seguridad adicionales

• **ADVERTENCIA** Para reducir el riesgo de lesiones en aplicaciones que producen una cantidad considerable de polvo, use una solución de extracción de polvo que cumpla con OSHA de acuerdo con las instrucciones de operación de la solución.

• Válgase siempre de su sentido común y sea cuidadoso cuando utilice herramientas. No es posible anticipar todas las situaciones que podrían tener un desenlace peligroso. No utilice esta herramienta si no entiende estas instrucciones de uso o si considera que el trabajo a realizar supera sus capacidades, comuníquese con Milwaukee Tool o con un profesional capacitado para recibir capacitación o información adicional.

• **Conserve las etiquetas y las placas nominales.** Contienen información importante. Si son ilegibles o no están presentes, comuníquese con un centro de servicio MILWAUKEE para obtener un reemplazo gratuito.




• **ADVERTENCIA** Algunos polvos generados por el lijado eléctrico, aserrado, pulido, taladrado y otras actividades de construcción contienen químicos identificados como causantes de cáncer, defectos congénitos u otros daños reproductivos. Algunos ejemplos de estos químicos son:

- plomo de pintura basada en plomo
- dióxido de silicio de los ladrillos y el cemento y otros productos de albañilería y
- arsénico y cromo de madera con tratamiento químico. Su riesgo por estas exposiciones varía, dependiendo de la frecuencia con que realice este tipo de trabajo. Para reducir su exposición a estos químicos: trabaje en un área bien ventilada y trabaje con equipo de seguridad aprobado, como mascarillas protectoras contra polvo especialmente diseñadas para filtrar partículas microscópicas.

ESPECIFICACIONES

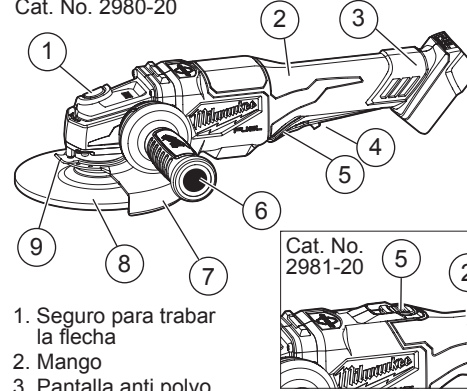
Volts.....	18 CD
Tipo de Batería.....	M18™
Tipo de Cargador.....	M18™
Temperatura ambiente recomendada para operar.....	-18°C to 50°C (0°F to 125°F)
Cat. No.....	2980-20
RPM.....	9 000
Tamaño de Flecha.....	5/8"-11
Capacidad Máxima.....	150 mm (6") x 6 mm (1/4")
Cat. No.....	2981-20
RPM.....	9 000
Tamaño de Flecha.....	5/8"-11
Capacidad Máxima.....	150 mm (6") x 6 mm (1/4")

SIMBOLOGÍA

	Volts
	Corriente continua
n XXXX min ⁻¹	Revoluciones por minuto sin carga (RPM)
	UL Listing Mark para Canadá y Estados Unidos

DESCRIPCION FUNCIONAL

Cat. No. 2980-20



1. Seguro para trabar la flecha
2. Mango
3. Pantalla anti polvo
4. Desbloqueo del interruptor (2980-20)
5. Interruptor de paleta (2980-20) Interruptor deslizante (2981-20)
6. Mango lateral
7. Guara
8. Accesorio
9. Palanca de traba de la guarda

ENSAMBLAJE

• **ADVERTENCIA** Recargue la batería sólo con el cargador especificado para ella. Para instrucciones específicas sobre cómo cargar, lea el manual del operador suministrado con su cargador y la batería.

Como se quita/inserta la batería en la herramienta

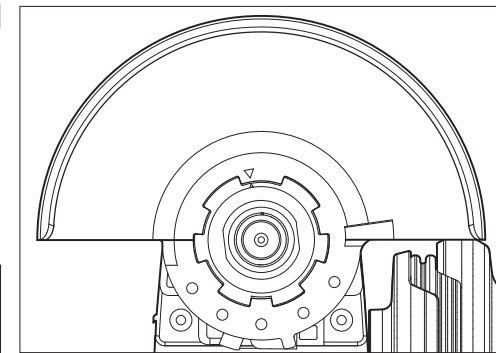
Para retirar la batería, presione los botones de liberación y jale de la batería para sacarla de la herramienta.

• **ADVERTENCIA** Para reducir el riesgo de lesiones, extraiga siempre la batería antes de acoplar o desacoplar accesorios. Para introducir la batería, deslícela en el cuerpo de la herramienta. Asegúrese de que quede bien firme en su posición.

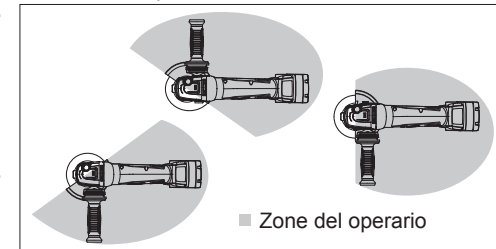
• **ADVERTENCIA** Para reducir el riesgo de lesión, siempre verifique que la guarda esté bien instalada.

Instalación, extracción y ajuste del protector
Esta herramienta se envía con una guarda. Se debe usar el protector cuando se use la herramienta como esmeriladora. Cuando se use como lijadora, se debe quitar.

1. Para quitar el protector, retire la batería y quitar todos los accesorios del vástago.
2. Presionar la palanca de traba y girar el protector para alinear las lengüetas con las ranuras, como se muestra.
3. Presionar la palanca de traba y levantar el protector, alejándolo de la herramienta.



4. Para instalar el protector, retire la batería y quitar todos los accesorios del vástago. **NOTA:** Utilice únicamente muelas rectificadoras de 114 mm (4-1/2") con guardas de 114 mm (4-1/2") (disponibles como accesorio). Use únicamente muelas rectificadoras de 150 mm (6") con guardas de 150 mm (6").
5. Alinear las lengüetas con las ranuras, como se muestra.
6. Presionar la palanca de traba y presionar el protector hacia abajo, contra la herramienta.
7. Para ajustar el protector, presionar la palanca de traba y girar el protector a una de las cinco ranuras de retención. **ADVERTENCIA!** Siempre ajuste la guarda para dar la máxima protección al operador durante la operación.



• **ADVERTENCIA** Para disminuir el riesgo de lesiones, siempre use una empuñadura lateral al utilizar esta herramienta. Sostenga firmemente.

Instalación del mango lateral

El mango lateral puede instalarse en ambos lados de la caja de engranajes. Colóquelo del lado que le ofrezca mejor control y protección. Para montarlo, simplemente enrosque el mango en el orificio del lado deseado y apriételo firmemente.

• **ADVERTENCIA** Para reducir el riesgo de lesión, deberá instruirse al operario en el uso, cuidados y protección de los discos abrasivos.

Selección de rueda de pulir

Use ruedas abrasivas que sean:

- del tamaño correcto como lo indica la placa de la herramienta.
- el tipo de disco correcto así como el grano adecuado para el trabajo.
- que esté marcado para operarse a las mismas o más de las RPM como lo indica la placa de la herramienta.

Esmerilar es la acción de cortar con miles de granos abrasivos que se encuentran en la cara de un disco o de una piedra abrasiva. Cuando esmerile metales como acero y hierro, seleccione un abrasivo de óxido de aluminio. Cuando esmerile piedra o concreto, utilice uno de carburo de silicio. Utilice discos reforzados con algodón para metales no ferrosos.

Los discos reforzados Tipo 27 de 3,2 mm (1/8") o menos son ideales para operaciones de corte y de acanalado solamente. Siempre maneje los abrasivos con cuidado para evitar dañarlos. Antes de instalarlos revise sin no tienen grietas o cuarteaduras. Si están dañados, deséchelos para evitar que otras personas los usen.

Cuidado de rectificado y corte las ruedas

Las ruedas abrasivas deben protegerse de:

- humedad y humedad extrema.
- cualquier tipo de solvente.
- cambios extremos de temperatura.
- caídas y golpes.

Las piedras abrasivas deben guardarse:

- en una forma organizada de forma tal que puedan tomarse, sin dañar, otras piedras abrasivas.
- con su información de seguridad.

Las piedras abrasivas NO deben:

- dejarse caer.
- rodarse.
- golpearse.

Si un abrasivo cae, se rueda o se golpea, o se somete a cambios extremos de temperatura, o ha estado en contacto con solventes o humedad, deséchelo de inmediato.

ADVERTENCIA Utilice solamente los discos para una operación segura, mayores que las R.P.M. indicadas en la placa de especificaciones de la herramienta. Esta velocidad se basa en la resistencia del disco y permite una medida de seguridad razonable. Esto no implica que ésta velocidad sea mejor u óptima. No exceda la velocidad máxima para una operación segura.

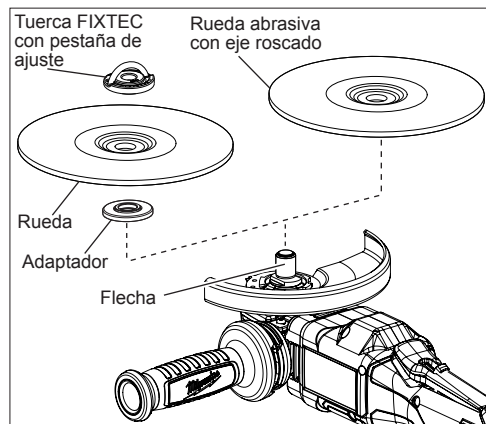
Instalación/extracción de las ruedas de esmerilado y corte

Asegúrese de que la muela abrasiva no se extienda más allá de la parte inferior de la guarda. Las muelas abrasivas con eje roscado pueden requerir una guarda más larga (consulte "Accesorios").

1. Retire la batería. **ADVERTENCIA!** Para reducir el riesgo de lesiones, extraiga siempre la batería antes de acoplar o desacoplar accesorios.
2. Ubique adecuadamente la protección.
3. Limpie con un paño la brida, la tuerca FIXTEC y la flecha para eliminar el polvo y la basura. Inspeccione las partes para ver si están dañadas. Reemplácelas si es necesario. Utilice únicamente herrajes de montaje MILWAUKEE diseñados para su herramienta.

4. Coloque la brida en el eje, como se muestra. Gire la brida hasta que encaje en el eje.

NOTA: Si utiliza una muela roscada, no instale la brida ni la tuerca FIXTEC.



5. Coloque el disco seleccionado en el vástago y alinéelo con la brida.

6. Presione el seguro para trabar la flecha. Con la pestaña de ajuste hacia arriba, enrosque la tuerca FIXTEC hacia la derecha sobre la flecha. Use la pestaña de ajuste de la tuerca FIXTEC para sujetar la tuerca y apretarla firmemente. Presione la pestaña de ajuste hacia abajo.

7. Para sacar el disco, retire la batería e invierta el proceso.

NOTA: En algunos casos, la tuerca FIXTEC puede estar demasiado apretada para quitarla a mano. En este caso, utilice la llave para quitar.

Selección del disco de lija

Use discos de lija que sean:

- del tamaño correcto como lo indica la placa de la herramienta.
- el tipo de disco correcto así como el grano adecuado para el trabajo.
- que esté marcado para operarse a las mismas o más de las RPM en a placa de especificaciones de la herramienta.

Utilice como referencia la tabla que a continuación se presenta para seleccionar el disco. Generalmente use grano 24 o 36 para remociones fuertes de metal; granos 50, 60 o 80 para remociones medias y grano 120 para acabados. Empiece siempre con un grano burdo, usando posteriormente granos mas finos para obtener el acabado deseado.

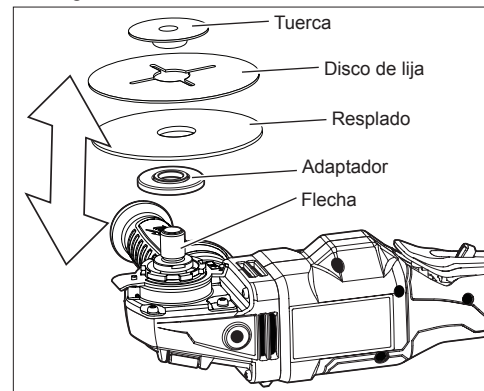
Discos de Óxido de aluminio - Para desbaste rápido y aplicaciones generales en la mayoría de las operaciones en metal. Ideal para acero rolando en frío, acero inoxidable o metales que requieren abrasivos de larga vida, desbaste rápido y rudo.

Discos de Sircónes de aluminio - Su diseño especial de grano permite remover rápidamente el material. Ideal para operaciones sobre pintura de autos, lanchas, etc. sin que se obstruyan.

Discos de cerámica - Ideales para aplicaciones generales en metal porque duran hasta tres veces el tiempo de los discos de óxido de aluminio.

Instalación de respaldos y discos de lija

1. Retire la batería. **ADVERTENCIA!** Para reducir el riesgo de lesiones, extraiga siempre la batería antes de acoplar o desacoplar accesorios.
2. Pase un trapo a los accesorios, a la tuerca del disco y al vástago para sacar todo el polvo y los desechos. Inspeccione las partes para ver si están dañadas. Reemplácelas si es necesario. Utilice únicamente herrajes de montaje MILWAUKEE diseñados para su herramienta.
3. Coloque la adaptador en la flecha, como se muestra.
4. Coloque el respaldo en la flecha de forma que la superficie plana quede alejada de la caja de engranes.
5. Coloque el disco abrasivo en el respaldo y asegúrelo a la flecha con la tuerca.



6. Presione el botón de bloqueo del vástago mientras gira la tuerca de brida hacia la derecha. Apriete firmemente.

7. Para desmontar el respaldo y el disco abrasivo, retire la batería y haga el procedimiento a la inversa.

Instalación/remoción/limpieza de la pantalla anti polvo

El uso de la pantalla anti polvo aumentará el desempeño y extenderá la vida de la herramienta.

1. Para **instalar** la pantalla anti polvo, colóquela a presión sobre la empuñadura de la herramienta.
2. Para **quitar** la pantalla anti polvo, inserte un destornillador de paleta en la ranura en la parte superior de la pantalla anti polvo y haga palanca en dirección contraria a la herramienta.
3. Para **limpiar** la pantalla anti polvo, golpéela ligeramente contra una superficie dura o use aire comprimido para limpiar.

OPERACION

ADVERTENCIA Con el fin de minimizar el riesgo de lesiones, siempre utilice la protección de ojos adecuada indicada para cumplir con lo dispuesto en la norma ANSI Z87.1.

Al momento de realizar trabajos en situaciones donde haya presencia de polvo, utilice la protección respiratoria adecuada o utilice una solución de extracción de polvo que cumpla con los requisitos de la OSHA.

Arranque controlado

La característica de arranque controlado reduce el "tirón" de reacción del par de fuerza cuando se tira del gatillo.

ADVERTENCIA Siempre tome la esmeriladora firmemente con las dos manos antes de iniciar el esmerilado.

Funcionamiento del interruptor de paleta (2980-20)

Para **encender** la herramienta, sujete el mango y el mango lateral firmemente. Presione el botón de desbloqueo y apriete el interruptor de paleta.

Para **detener** la herramienta, suelte el interruptor de paleta. Asegúrese de que la herramienta se detenga por completo antes de soltarla.

Funcionamiento del interruptor deslizante (2981-20)

Para **encender** la herramienta, sujete el mango y el mango lateral firmemente y deslice el interruptor hasta la posición ENCENDIDO.

Para **parar** la herramienta, suelte el interruptor. Asegúrese de que la herramienta se detenga por completo antes de soltarla.

Para **bloquear** el interruptor en la posición encendido, deslice el interruptor hasta la posición ENCENDIDO y luego presione hacia abajo en la parte delantera del interruptor. Para parar la herramienta, presione y suelte el interruptor. Asegúrese de que la herramienta se detenga por completo antes de soltarla.

Funcionamiento general

1. Si usted acaba de instalar un disco abrasivo o está por empezar un trabajo, pruebe el disco dejándolo que gire por un minuto antes de aplicarlo sobre la superficie. **ADVERTENCIA!** Nunca use un disco abrasivo que haya sido golpeado. Cuando los discos están desbalanceados, pueden dañar el material, la herramienta y causar fatiga al disco y provocar que este falle.
2. Utilice un broche, una prensa de tornillo o cualquier otro medio práctico para sujetar su trabajo, liberando así ambas manos para controlar la herramienta.
3. **ADVERTENCIA!** Sujete la herramienta de manera segura con ambas manos. Encienda la herramienta.

NOTA: Si la batería se inserta cuando la herramienta está ENCENDIDA, la herramienta no funcionará. APAGUE la herramienta, luego vuelva a ENCENDERLA para empezar a trabajar.

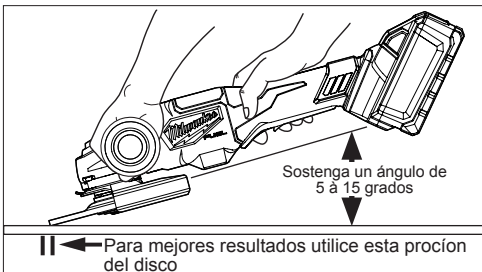
4. Permita que el disco alcance su máxima velocidad antes de iniciar el esmerilado.
5. Controle la presión y el contacto entre la superficie y el disco. **ADVERTENCIA!** Nunca golpee la muela rectificadora contra la pieza de trabajo. Demasiada presión ocasiona que el accesorio falle o disminuya la velocidad.

6. Cuando haya terminado, apague la herramienta y asegúrese de que se detenga por completo antes de soltarla.

Usando rueda de esmeril

ADVERTENCIA El tipo de protector debe coincidir con el tipo de rueda para proporcionar máxima protección para el operador en caso que el disco se rompa.

Cuando esmerile, mantenga la unidad en un ángulo de entre 5 y 15 grados, como se ilustra, usando una presión constante para un terminado uniforme. Un ángulo excesivo provoca concentración de presión en áreas pequeñas lo que se traduce en daños al material o quemaduras en la superficie del trabajo.

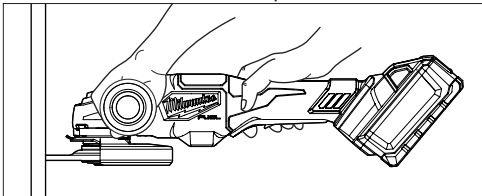


Usando discos de corte

Discos de corte son adecuados para el corte de pequeñas y poco muestas operaciones solamente.

ADVERTENCIA El tipo de protector debe coincidir con el tipo de rueda para proporcionar máxima protección para el operador en caso que el disco se rompa.

Cuando use discos de corte, sostenga su esmeriladora tal como se ilustra, usando solo la orilla del disco. **ADVERTENCIA!** Si se usa la cara de un disco de corte (como si se esmerilara), se podrá causar fracturas al mismo y podrá llegar a romperse, resultando en serias lesiones al operario.



Uso de los cepillos de alambre

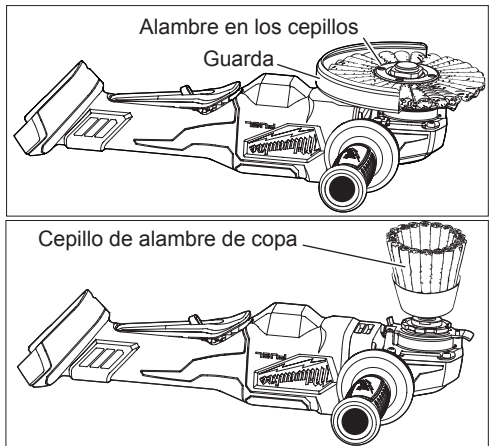
Los cepillos son útiles para remover óxidos, polvos, exceso de soldadura, etc.

ADVERTENCIA Todas las personas en el área de trabajo deberán usar lentes de seguridad y ropa de protección o en su caso, caretas de seguridad. Lo anterior es debido a que habrá partículas del alambre y residuos del mismo que, por fatiga del material, se desprenderán del cepillo a una fuerza considerable.

Nunca exceda la velocidad máxima de operación del cepillo. No use cepillos dañados o que funcionen inadecuadamente (que lancen partículas o estén desbalanceados, etc.) Estas condiciones aumentan el riesgo de una falla posterior mayor y una posible lesión. Descarte y reemplace inmediatamente los cepillos dañados.

Se debe instalar una guarda tipo 27 cuando utilice un disco cepillo de alambre para proporcionar la máxima protección para el operador cuando esté cansado cables break. (Ver "Instalar/Retirar/Ajustar la guarda").

Instale siempre los cepillos de alambre de copa según las instrucciones del fabricante del accesorio. Utilice únicamente accesorios con roscas que correspondan al husillo de la herramienta.

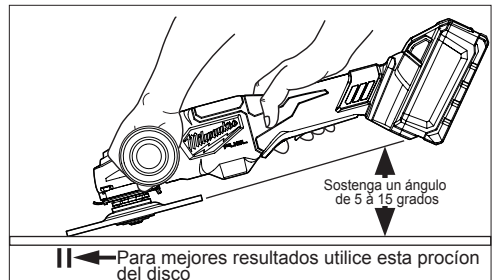


Pruebe un cepillo de alambre para observar su balance y fibras dañadas, haciéndolo trabajar libremente por lo menos un minuto antes de iniciar el trabajo. Durante este tiempo, no permita que haya personas cerca de la herramienta.

Cuando opere el cepillo, no aplique mucha presión ya que si lo hace, las cerdas se doblarán en exceso, se creará excesivo calor y se tendrá como resultado de ello, roturas prematuras de fibras o cerdas y una corta vida del cepillo. En lugar de aplicar mas presión, pruebe un cepillo que tenga una capacidad de corte mas agresiva (sea por mayor calibre del alambre, cerdas mas cortas o un tipo de cepillo diferente, por ejemplo, un cepillo anudado en lugar de uno con alambre rizado).

Utilizar discos de lija

Cuando esmerile, mantenga la unidad en un ángulo de entre 5 y 15 grados, como se ilustra, usando una presión constante para un terminado uniforme. Un ángulo excesivo provoca concentración de presión en áreas pequeñas lo que se traduce en daños al material o quemaduras en la superficie del trabajo. Lije con movimientos largos y rítmicos, de lado a lado del material, con avances hacia adelante para producir el acabado deseado.



Lijado cruzado - uando vaya a darle el acabado a una superficie que ha sido preparada por un disco de lija de grano grueso o disco abrasivo, lije en ángulos rectos las marcas que le haya hecho el abrasivo anterior. Las marcas que deja el disco anterior son fácilmente visibles y se pueden quitar con un acabado uniforme. Si no se hace este lijado cruzado cuando se pasa de un abrasivo grueso al abrasivo para acabado puede resultar en marcas profundas y circulares.

Remoción de soldadura o marcas de martillos - Para esta operación, limite el lijado a las superficies inmediatas. Utilice posteriormente granos finos para emparejar la superficie.

Acabado en metal - Muévase constantemente a través de la superficie. Trabaje mas rápidamente en las superficies curvas, en donde las áreas de contacto son menores y la presión es mayor. Al final de la pasada pueden aparecer marcas planas, cuando la presión es muy alta. Reduzca la presión al final de cada pasada y cuando haga pasadas en reversa.

Freno eléctrico

El freno se activa cuando se suelta el gatillo, lo que hace que el disco se detenga y le permite continuar con su trabajo. En general, el disco se detiene en tres segundos, dependiendo del tamaño del disco. Si el tiempo de frenado aumenta significativamente o comienza a faltar por completo, la herramienta debe ser revisada por un centro de servicio autorizado de MILWAUKEE. El freno no sustituye a la guarda, y siempre debe esperar a que el disco se detenga por completo antes de dejar la herramienta.

Solución a los problemas

Las marcas profundas y circulares pueden deberse a:

- Usar un grano muy grueso
- Usar un disco parcialmente cristalizado
- Polvo o rebabas sueltas en el material a lijar
- No haber lijado en forma cruzada, a través del grano, cuando se cambió de un abrasivo con grano grueso a un disco para acabados.
- Por no haber usado un disco mas cerrado para reducir el problema de partículas del abrasivo suelto sobre la superficie a trabajar.

Cuando la superficie del metal se pone azulosa, esto indica:

- Que se ha causado un calor excesivo por movimientos circulares en áreas muy pequeñas.
- Presión excesiva
- Por usar discos gastados o cristalizados.

MANTENIMIENTO

ADVERTENCIA Para reducir el riesgo de una lesión, desconecte siempre la herramienta antes de darle cualquier mantenimiento. Nunca desarme la herramienta ni trate de hacer modificaciones en el sistema eléctrico de la misma. Acuda siempre a un Centro de Servicio MILWAUKEE para TODAS las reparaciones.

Mantenimiento de las herramientas

Adopte un programa regular de mantenimiento y mantenga su herramienta en buenas condiciones. Inspeccione la herramienta para problemas como ruidos indebidos, desalineadas o agarrotadas de partes móviles, piezas rotas o cualquier otra condición que pueda afectar el funcionamiento de la herramienta. Envíe su herramienta al Centro de Servicio MILWAUKEE para reparación. Después de 6 meses a un año, dependiendo del uso dado, envíe su herramienta al Centro de Servicio MILWAUKEE más cercano para la inspección.

Si la herramienta no arranca u opera a toda su potencia con una batería completamente cargada, limpie, con una goma o borrador, los contactos de la batería y de la herramienta. Si aun así la herramienta no trabaja correctamente, regrésela, con el cargador y la batería, a un centro de servicio MILWAUKEE.

ADVERTENCIA Para reducir el riesgo de lesiones, descarga eléctrica o daño a la herramienta, nunca la sumerja en líquidos ni permita que estos fluyan dentro de la misma.

Limpieza

Limpie el polvo y suciedad de las ventilas. Mantenga los mangos limpios, secos y libres de aceite o grasa. Use solo jabón neutro y un trapo húmedo para limpiar, ya que algunos substancias y solventes limpiadores son dañinos a los plásticos y partes aislantes. Algunos de estos incluyen: gasolina, turpentina, thinner, lacas, thinner para pinturas, solventes para limpieza con cloro, amoníaco y detergentes caseros que tengan amonía. Nunca usa solventes inflamables o combustibles cerca de una herramienta.

Reparaciones

Si su herramienta, batería o cargador están dañados, envíela al centro de servicio más cercano.

ACCESORIOS

ADVERTENCIA Utilice sólo los accesorios específicamente recomendados. Otros accesorios puede ser peligroso.

Para una lista completa de accesorios, visite nuestro sitio en Internet: www.milwaukeetool.com o póngase en contacto con un distribuidor.

SOPORTE DE SERVICIO - MEXICO

CENTRO DE ATENCION A CLIENTES

Techtronic Industries Mexico, S.A. de C.V.

Av. Presidente Masarik 29 Piso 7

11560 Polanco V Seccion

Miguel Hidalgo, Distrito Federal, México

01 (800) 030-7777 o (55) 4160-3540

Lunes a Viernes (9am a 6pm)

O contactarnos en www.milwaukeetool.com.mx

GARANTÍA LIMITADA - E.U.A. Y CANADÁ

Cada herramienta eléctrica* de MILWAUKEE (ver excepciones a continuación) está garantizada para el comprador original únicamente de que no tenga material y mano de obra defectuosos. Sujeto a ciertas excepciones, MILWAUKEE reparará o reemplazará cualquier parte en una herramienta eléctrica que tenga defectos de material o mano de obra según lo determine MILWAUKEE mediante una revisión, por un periodo de cinco (5) años** después de la fecha de compra a menos que se indique lo contrario. Al devolver la herramienta eléctrica a un Centro de Servicio de la fábrica de MILWAUKEE o a una Estación de Servicio Autorizada de MILWAUKEE, se requiere que el flete esté pagado por adelantado y asegurado. Se debe incluir una copia del comprobante de compra con el producto devuelto. Esta garantía no aplica a daños que MILWAUKEE determine que son ocasionados por reparaciones o intentos de reparaciones realizados por una persona que no sea personal autorizado de MILWAUKEE, uso indebido, alteraciones, maltrato, desgaste normal, falta de mantenimiento o accidentes.

Desgaste normal: Muchas herramientas eléctricas necesitan un reemplazo periódico de partes y servicio para lograr el mejor desempeño. Esta garantía no cubre la reparación cuando el uso normal ha agotado la vida de una parte, incluyendo sin limitar a mandriles, cepillos, cables, zapatas de la sierra, abrazaderas de la hoja, anillos en O, sellos, protectores, hojas de desatornilladores, pistones, herrajes, levatadores y arandelas de cubierta de los protectores.

*Esta garantía no cubre clavadoras y grapadoras neumáticas, pistola de pintura a presión, baterías inalámbricas, generadores de energía portátil de gasolina, herramientas de mano, palanca y cadena de mano de polipasto - eléctricas, indumentaria calefaccionada M12™, producto reacondicionado y productos de prueba y medición. Existen garantías por separado y distintas disponibles para estos productos.

**El periodo de garantía para los radios para obra, puerto de energía M12™, fuente de poder M18™, ventiladores para obra y carretillas de trabajo industrial Trade Titan™ es de un (1) año a partir de la fecha de compra. El periodo de garantía para los Cables de limpieza de drenaje es de dos (2) años a partir de la fecha de compra. El periodo de garantía de la Pistola de calor compacta M18™ de la Extractor de polvo de 8 galones es de tres (3) años a partir de la fecha de compra. El periodo de garantía de las lámparas de LED en la Lámpara de trabajo LED y el Bulbo mejorado de LED para la Luz de trabajo es por la vida del producto sujeto a las limitaciones anteriores. Si durante el uso normal el LED o Bulbo de LED falla, la parte será reemplazada sin cargo.

No se requiere el registro de la garantía para obtener la garantía correspondiente a un producto de herramienta eléctrica de MILWAUKEE. La fecha de manufactura del producto se utilizará para determinar el periodo de garantía si no se proporciona comprobante de compra al solicitar el servicio en garantía.

LA ACEPTACIÓN DE LOS REMEDIOS EXCLUSIVOS DE REPARACIÓN Y REEMPLAZO AQUÍ DESCRITOS ES UNA CONDICIÓN DEL CONTRATO PARA LA COMPRA DE TODO PRODUCTO DE MILWAUKEE. SI USTED NO ACEPTA ESTA CONDICIÓN, NO DEBE COMPRAR EL PRODUCTO. MILWAUKEE NO SERÁ RESPONSABLE EN NINGÚN CASO DE DAÑOS INCIDENTALES, ESPECIALES, EMERGENTES O PUNITIVOS NI DE NINGÚN COSTO, HONORARIOS LEGALES, GASTOS, PÉRDIDAS O DEMORAS ALEGADOS COMO CONSECUENCIA DE ALGÚN DAÑO, FALLA O DEFECTO EN NINGÚN PRODUCTO, INCLUYENDO, ENTRE OTROS,

RECLAMACIONES POR PÉRDIDA DE UTILIDADES. ALGUNOS ESTADOS NO PERMITEN LA EXCLUSIÓN O LIMITACIÓN DE RESPONSABILIDAD POR DAÑOS INCIDENTALES O EMERGENTES, POR LO QUE LA ANTERIOR LIMITACIÓN O EXCLUSIÓN PODRÍA NO APLICARSE EN SU CASO. ESTA GARANTÍA ES EXCLUSIVA Y REEMPLAZA TODAS LAS DEMÁS GARANTÍAS EXPRESAS, ESCRITAS U ORALES. EN LA MEDIDA EN QUE LO PERMITA LA LEY, MILWAUKEE DESCONOCE, CUALQUIER GARANTÍA IMPLÍCITA, INCLUYENDO SIN LIMITACIÓN CUALQUIER GARANTÍA IMPLÍCITA DE COMERCIABILIDAD O IDONEIDAD PARA UN FIN O USO ESPECÍFICO; EN LA MEDIDA EN QUE DICHO DESCONOCIMIENTO NO SEA PERMITIDO POR LA LEY, DICHAS GARANTÍAS IMPLÍCITAS SE LIMITAN A LA DURACIÓN DE LA GARANTÍA EXPRESA CORRESPONDIENTE SEGÚN SE DESCRIBIÓ ANTERIORMENTE. ALGUNOS ESTADOS NO PERMITEN LIMITACIONES SOBRE LA DURACIÓN DE UNA GARANTÍA IMPLÍCITA, POR LO QUE LA ANTERIOR LIMITACIÓN PODRÍA NO APLICARSE A USTED. ESTA GARANTÍA LE DA DERECHOS LEGALES ESPECÍFICOS Y USTED PODRÍA ADEMÁS TENER OTROS DERECHOS QUE VARIAN DE UN ESTADO A OTRO.

Esta garantía aplica al producto vendido en los Estados Unidos y Canadá únicamente.

Consulte la "Búsqueda de centro de servicio" en la sección de Partes y servicio del sitio web de MILWAUKEE en www.milwaukeetool.com o llame al 1.800.SAWDUST (1.800.729.3878) para localizar su centro de servicio más cercano para darle servicio con y sin garantía a una herramienta eléctrica de Milwaukee.

PÓLIZA DE GARANTÍA - VALIDA SOLO PARA MEXICO, AMERICA CENTRAL Y EL CARIBE

La garantía de TECHTRONIC INDUSTRIES es por 5 años a partir de la fecha original de compra.

Esta tarjeta de garantía cubre cualquier defecto de material y mano de obra en ese Producto.

Para hacer válida esta garantía, presente esta tarjeta de garantía, cerrada/sellada por el distribuidor o la tienda donde compró el producto, al Centro de Servicio Autorizado (ASC). O, si esta tarjeta no se ha cerrado/sellado, presente la prueba original de compra a ASC. Llame gratis al 01 (800) 030-7777 para encontrar el ASC más cercano, para servicio, partes, accesorios o componentes.

Procedimiento para hacer válida esta garantía

Lleve el producto a ASC, junto con la tarjeta de garantía cerrada/sellada por el distribuidor o la tienda donde compró el producto, y cualquier pieza o componente defectuoso se reemplazará sin costo para usted. Cubriremos todos los costos de flete con relación a este proceso de garantía

Excepciones

Esta garantía no tendrá validez en las siguientes situaciones:

- Cuando el producto se use de manera distinta a la que indica el manual del usuario final o de instrucciones.
- Cuando las condiciones de uso no sean normales.
- Cuando otras personas no autorizadas por TECHTRONIC INDUSTRIES modifiquen o reparen el producto.

Nota: si el juego de cables está dañado, tiene que reemplazarse en un Centro de Servicio Autorizado para evitar riesgos eléctricos.

CENTRO DE SERVICIO Y ATENCIÓN

Llame al 01 (800) 030-7777

IMPORTADO Y COMERCIALIZADO POR
TECHTRONIC INDUSTRIES, MÉXICO, SA DE CV
Av. President Masarik #29 piso 7, Col. Polanco V Sección
CP 11560, Deleg. Miguel Hidalgo, CDMX

Modelo: _____

Fecha de Compra: _____

Sello del Distribuidor: _____

MILWAUKEE TOOL
13135 West Lisbon Road
Brookfield, WI 53005 USA