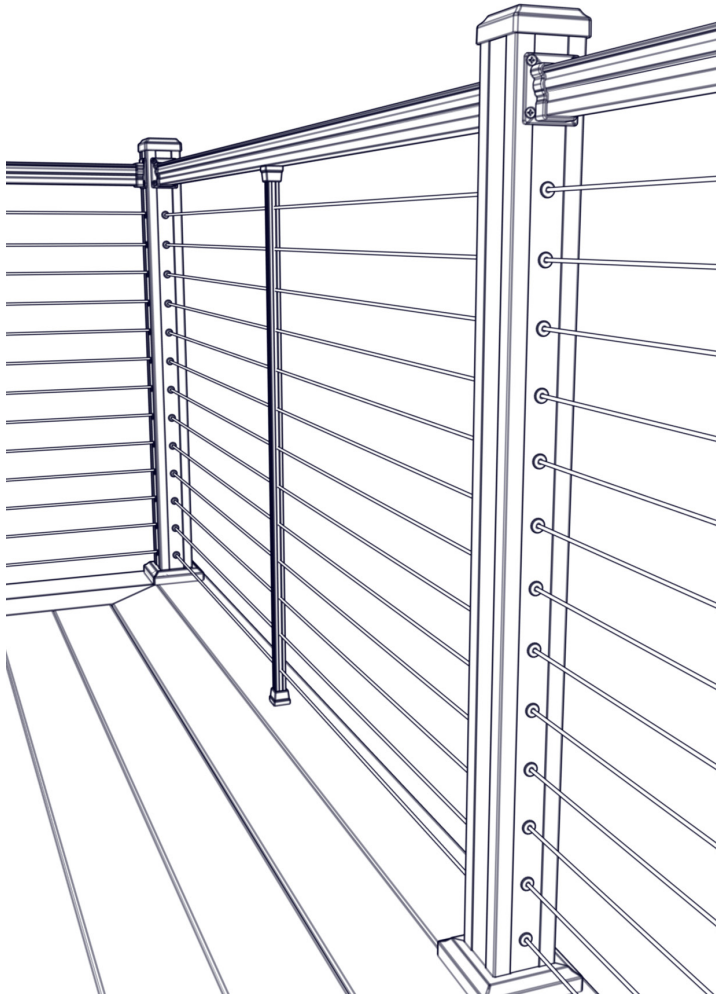




KEY-LINK™
FENCING & RAILING

HORIZONTAL CABLE INFILL

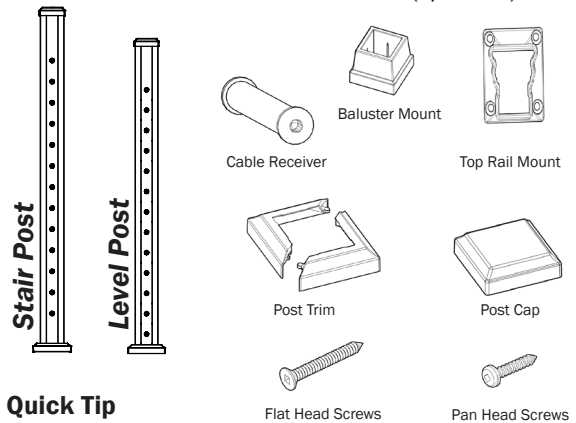
*Reference Local Building Codes for Railing and Cable Installation requirements



- These directions are only a guide and may not address every situation.
- Always wear proper safety equipment while assembling and installing.
- The installer should obtain all required building permits and follow all installation procedures in accordance with applicable building code requirements.
- Key-Link Fencing and Railing Inc. shall not be held liable for improper or unsafe installations.
- Applying paint, other than Key-Link's touch up paint, will void your warranty.
- To ensure proper coverage by our warranty please visit our website and complete the warranty form and mail to: Key-Link Fencing & Railing, Inc., 260 Jaly Dr., New Holland, PA 17557

What's Included

- Top Rail & Baluster(s)
- Mounting Brackets & Screws
(Predrilled Posts, Caps, & Trim packaged separate)
- Stainless Steel Cable Roll *(optional)*



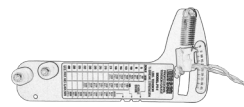
Quick Tip

Wear clean, new gloves when handling stainless steel parts to prevent corrosion from oil and dirt.

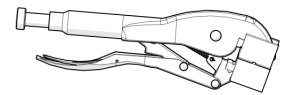
Recommended Tools

- Safety Glasses
- Tape Measure & Pencil
- Level
- Drill & Bits ($\frac{1}{4}$ " , $\frac{3}{16}$ " , $\frac{1}{32}$ ")
- Hammer Drill (if concrete)
- Circular Saw w/ Fine-Tooth Aluminum Cutting Blade
- Rubber Mallet

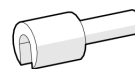
● Available from Key-Link



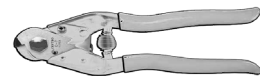
● Tension Gauge



● Cable Locking Pliers



● Cable Release Key



● Cable Cutter



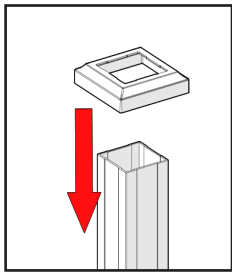
● Cable Needle



WARNING: This product can expose you to chemicals including Quartz (crystalline silica), which is known to the State of California to cause cancer, and Hexavalent Chromium, which is known to the State of California to cause birth defects or other reproductive harm. For more information go to www.P65Warnings.ca.gov.

Post, Baluster, and Rail Installation

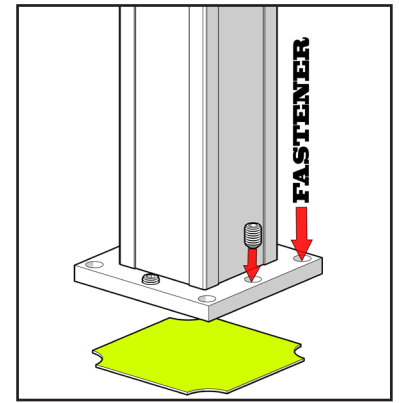
1 Install Railing Post & Post Trim



Placing trim

Space posts according to *application and top rail length. A structural member must be placed between top of posts to ensure proper cable tensioning. Place leveling plate (*highlighted*) between post and mounting surface.

Attach to structural surface using bolts or lags (*not included*). Partially tighten prior to levelling. Using a $\frac{3}{16}$ " Allen wrench, turn set screws to level post. Then fully tighten structural screws.



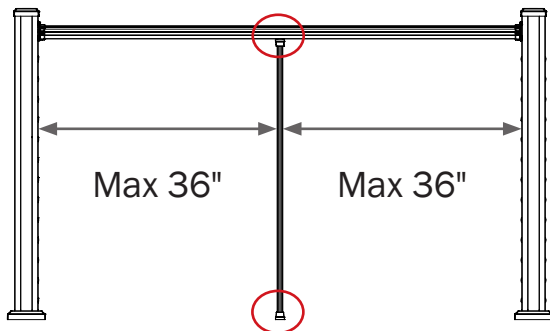
*Check your local building codes to determine structural mounting requirements for Post.

2 Attach Baluster Mount

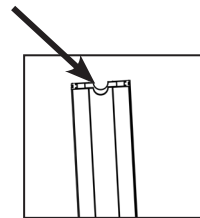
**(If Needed) Cut Rail to proper length*

Attach a baluster mount (*circled*) centered on the bottom surface of the top rail and another to the deck, or bottom rail, aligned with the baluster mount on the top rail. Fasten the baluster to the mount.

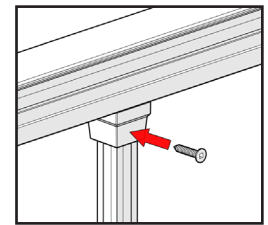
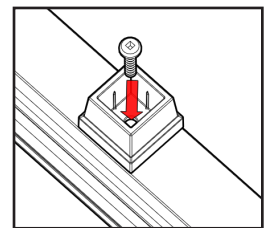
Baluster Spacing



Balusters should be spaced evenly and no more than 36" apart

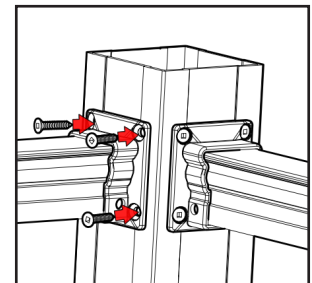


Note: Top of Baluster



! Cutting Tip

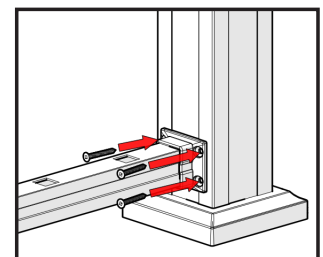
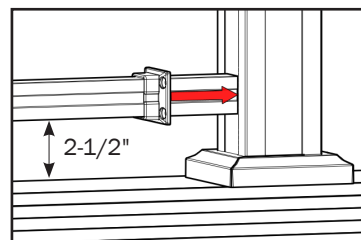
Be sure to use a **fine-tooth blade approved for cutting aluminum** and rest rails on a piece of **non-abrasive material** to protect from scratches.



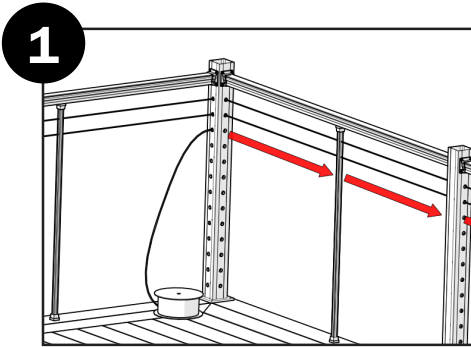
3 Attach Rail(s)

Slide the bracket over the rail, then put the rail in place, and slide the self-centering bracket against the post. Fasten bracket to post using #12 screws, and secure bracket to rail using #10 pan-head screws.

If using bottom rail, ensure rail is spaced 2-1/2" from the deck surface as shown.

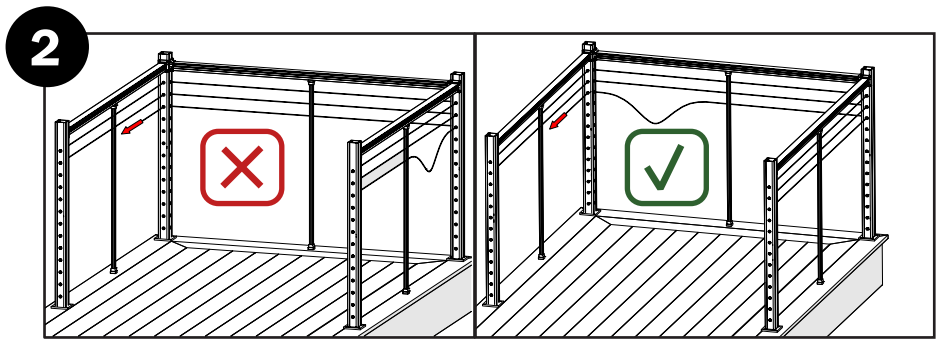


Cable Rail Installation



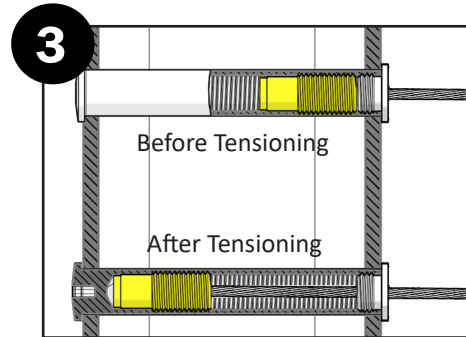
1

Thread the cable through all the posts and balusters starting from one end post to the next end post.



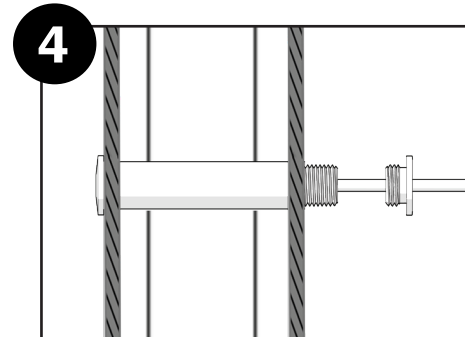
2

To prevent excessive friction and possible damage to the cable, pull cable slack through one corner post at a time.



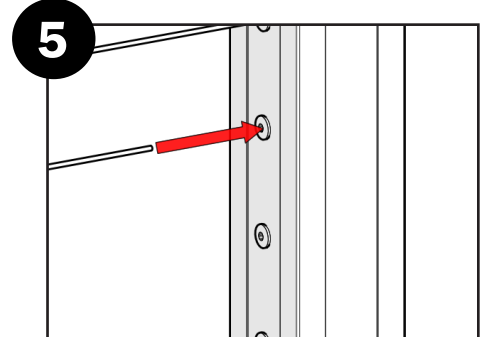
3

Check to make sure the lock jaw housing (*highlighted*) is threaded all the way out to the cap to maximize tensioning capacity.



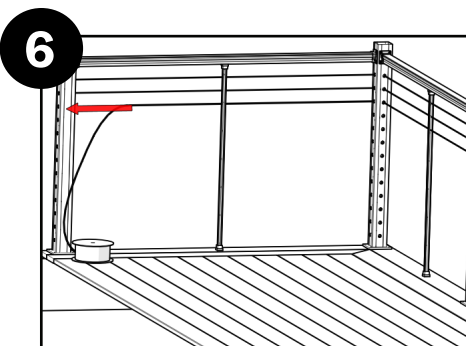
4

If more tensioning capacity is required for longer cable runs, remove the cap and unthread the lock jaw housing past the surface of the post. Then insert the cable.



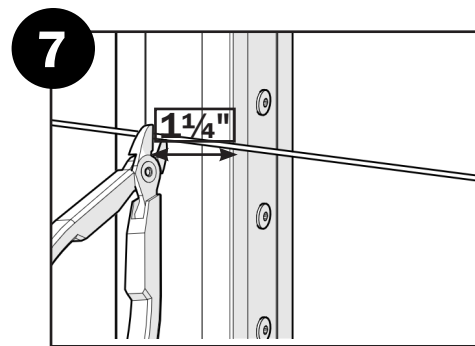
5

Insert the cable into the end Post Receiver as far as it will go. Gently twist clockwise on the cable until it is secure.



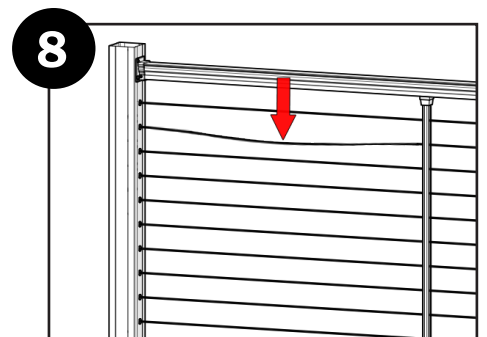
6

Unwind enough cable to reach the opposite end post and pull tight. Remove all slack from each section.



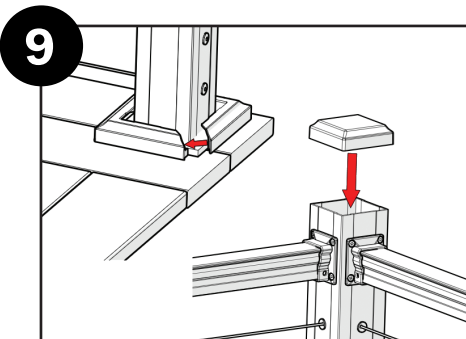
7

Remove cable slack and cut $1\frac{1}{4}$ " longer than inside face of the end post receiver. Insert cable into the receiver by twisting in a clockwise direction. (Use Keylink Cable Locking Pliers)



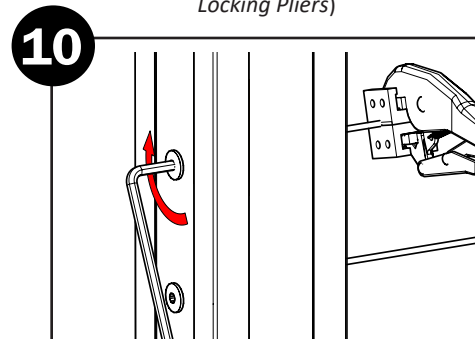
8

Once both cable ends have been inserted; place body weight onto each cable to set/anchor them firmly inside Receivers. (Before continuing to Step-7) Repeat previous steps for the remaining Post and Baluster rows.



9

Place post cap on post and use soft or rubber mallet to set in place. Snap the post trim halves together around the bottom of each Post.



10

Use a $\frac{3}{16}$ " Allen Wrench, to tighten

Tip: Tighten every other row first, working away from the center.

A Tension Gauge (*available from Key-Link*) can be used to tighten the cable to the desired tension.

When tightening cable; watch to ensure the cable is not spinning which could indicate the receiver is fully tightened.

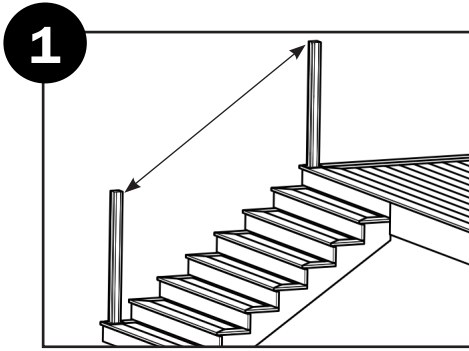
It is recommended that you do not exceed 200lbs of tension.

Do not overtighten!

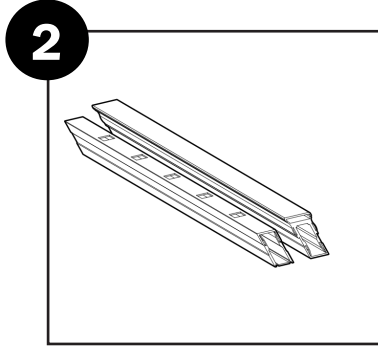
Cable can release if over tightened

Check with your local building inspector about local codes regarding cable tension.

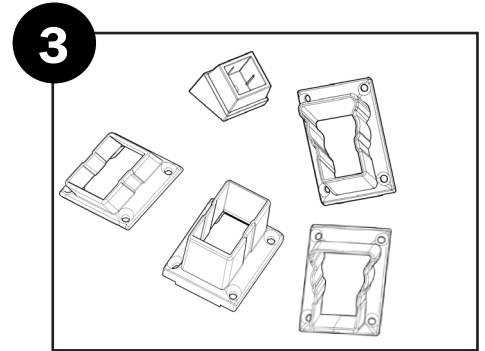
Stair Rail Installation



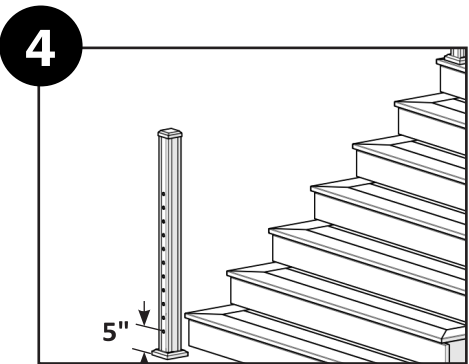
1 Measure from inside edge between Posts (then subtract ¼")



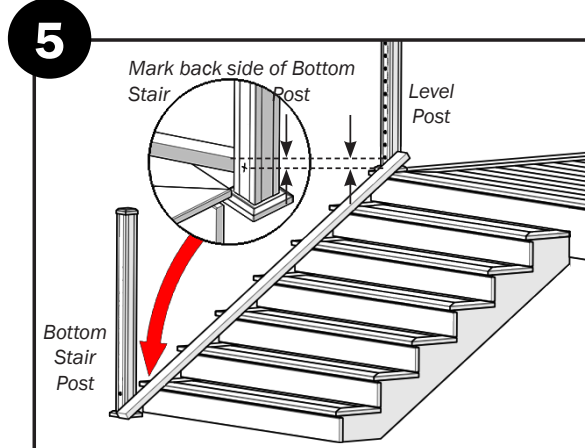
2 To ensure Rails align properly. Cut Upper and Lower ends of Top and, if applicable Bottom, Rails at opposite angles. (Standard stair angle is 34°)



3 Attach both Baluster stair mounts, Top Rail Stair, and if applicable Bottom Rail Stair rail mounts (Refer to pg.2 Step 2 & 3)

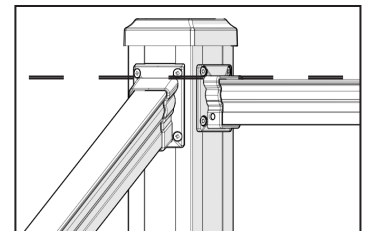
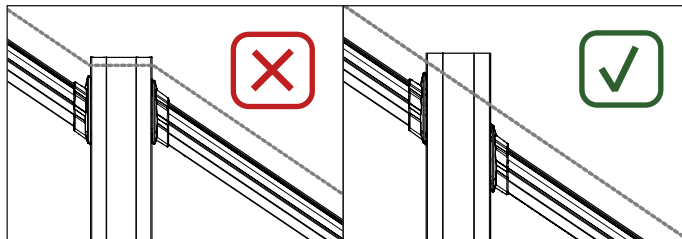


4 Ensure that the correct post is being utilized for your specific application regarding level post, end stair post and line stair post. *This image shows a stair end post



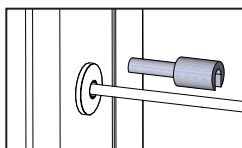
5 To determine Post placement; use a straight edge laid flat on the nose of the stairs, and measure off the surface to the first hole on the Level Post, and translate that measurement to each Post/Baluster.

! When doing stair sections, mount them as shown below:



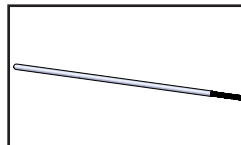
Ensure that the stairs' Top Rail doesn't exceed the level rail height of the opposite Rail.

Cable Release Key



To use the **Cable Release Key**, slide it over the cable into the receiver, and push to release the cable. For use before the cable is fully tightened.

Cable Needle



The **Cable Needle** is used for threading the cable through balusters & posts that do not have fittings.

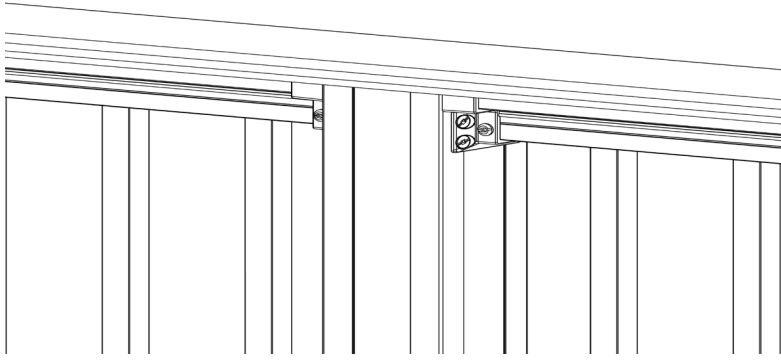
The **Cable Needle** is used for threading

! NOTE: How to Loosen Stuck Jaws

In the event that the jaws of the post receiver become stuck.

Insert an Allen Wrench into the open end of the cable receiver, and press until you can feel the internal spring release.

Chesapeake Series Rail Option: Horizontal Cable



What's Included

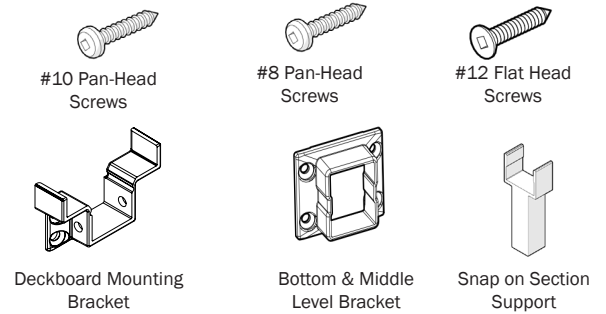
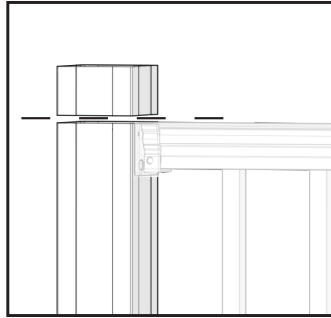
- Top and Bottom Rails
- Balusters
- (2) Deckboard Mounting Brackets
- (2) Bottom Level Brackets
- Snap on Support (for 8' sections)
- (17) #12 x 1" Self Drilling Flat Head Screws
- (9) #10 x 3/4" Self Drilling Pan Head Screws
- (15) or (19) #8 x 3/4" Type 17 Pan Head Screws

Posts, caps, and trim sold separately

(Optional) Cut Posts to Height

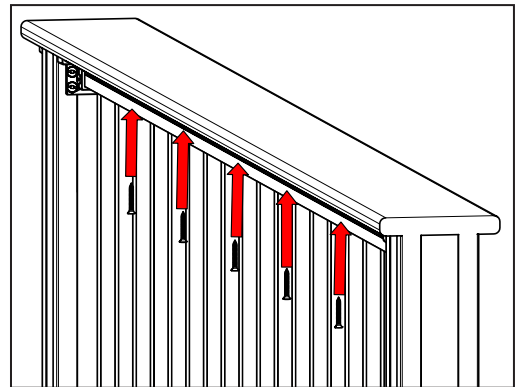
Posts are provided at a standard height, and must be cut to length (Prior to section's installation).

Refer to step 5 for Top Rail height, and cut Posts to match overall height



(Optional) Install Deckboard

Using the supplied #8 x 3/4" pan head screws fasten the deckboard (not supplied) to the top rail from beneath by using the predrilled holes of the top rail. It is recommended to drill a 1/8" pilot hole in the deckboard to avoid splitting.



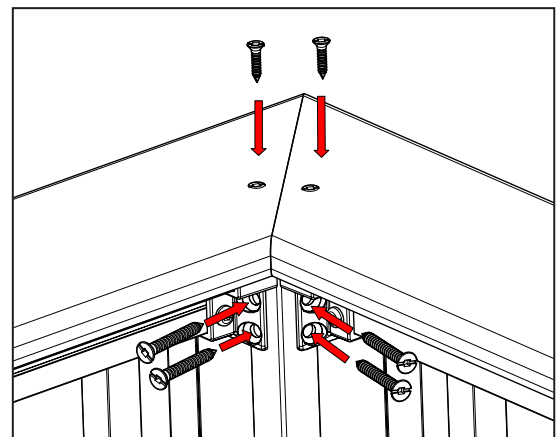
Drilling Pilot Holes

If the rail has been cut to another length, drill 3/16" pilot holes evenly spaced in the aluminum top rail channel



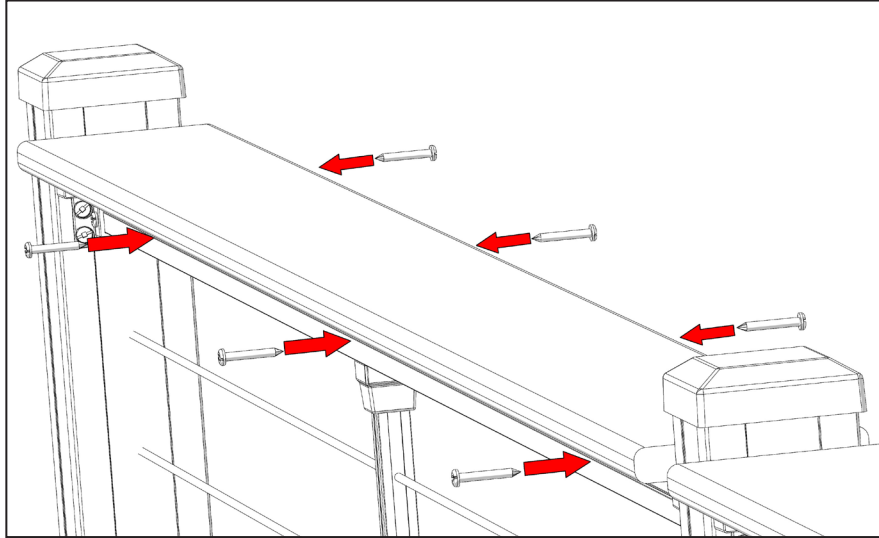
Corner Install Recommendation

When installing the corner of a railing it is recommended to insert a wood block in the top of the post. Cut the block to fit snugly in the post, then secure it using the screws that attach the top brackets. Next screw from the top down, through the deckboard, into the wooden block. This will ensure the edges of the deckboard do not lift up.



! Cable Infill Installation

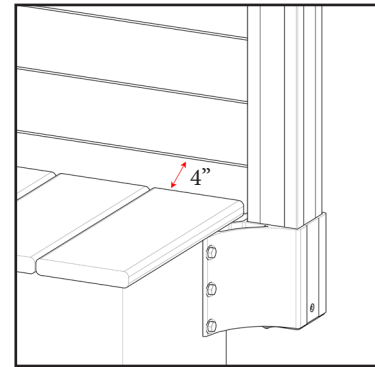
When installing any cable infill, it is necessary to fasten the top snap cap rail to the top rail using the provided #10 x 3/4" pan head self drilling screws at center and each quarter point location of the rail as shown in the image below. These additional screws allow the cable infill sections to meet IBC/IRC test requirements.



Fascia Mount Cable Rail

! When installing Keylink cable rail in a fascia mount scenario please reference the **Fascia Mount Bracket Install Guide** and the **Fascia Mount Section Support Install Guide**.

Note: Horizontal Cable Posts must be ordered specific to the face mount scenario



Note: Maximum straight line distance from top deck surface edge to the bottom of rail or cable is designed to 3.75" Max



KEY-LINK™
FENCING & RAILING

260 Jalyn Drive • New Holland, PA 17557

KeyLinkOnline.com