

en	Original Instructions - Cordless mobile dust extractor	7
fr	Notice d'utilisation d'origine - Aspirateur sans fil	21
es	Manual de instrucciones original - Sistema móvil de aspiración a batería	36



Read all instructions before using  
Lire toutes les instructions avant de démarrer les travaux.  
Lea y comprende todas las instrucciones antes de usar.



## CTC MIDI I



Festool GmbH  
Wertstraße 20  
73240 Wendlingen  
Germany  
[www.festoolusa.com](http://www.festoolusa.com)

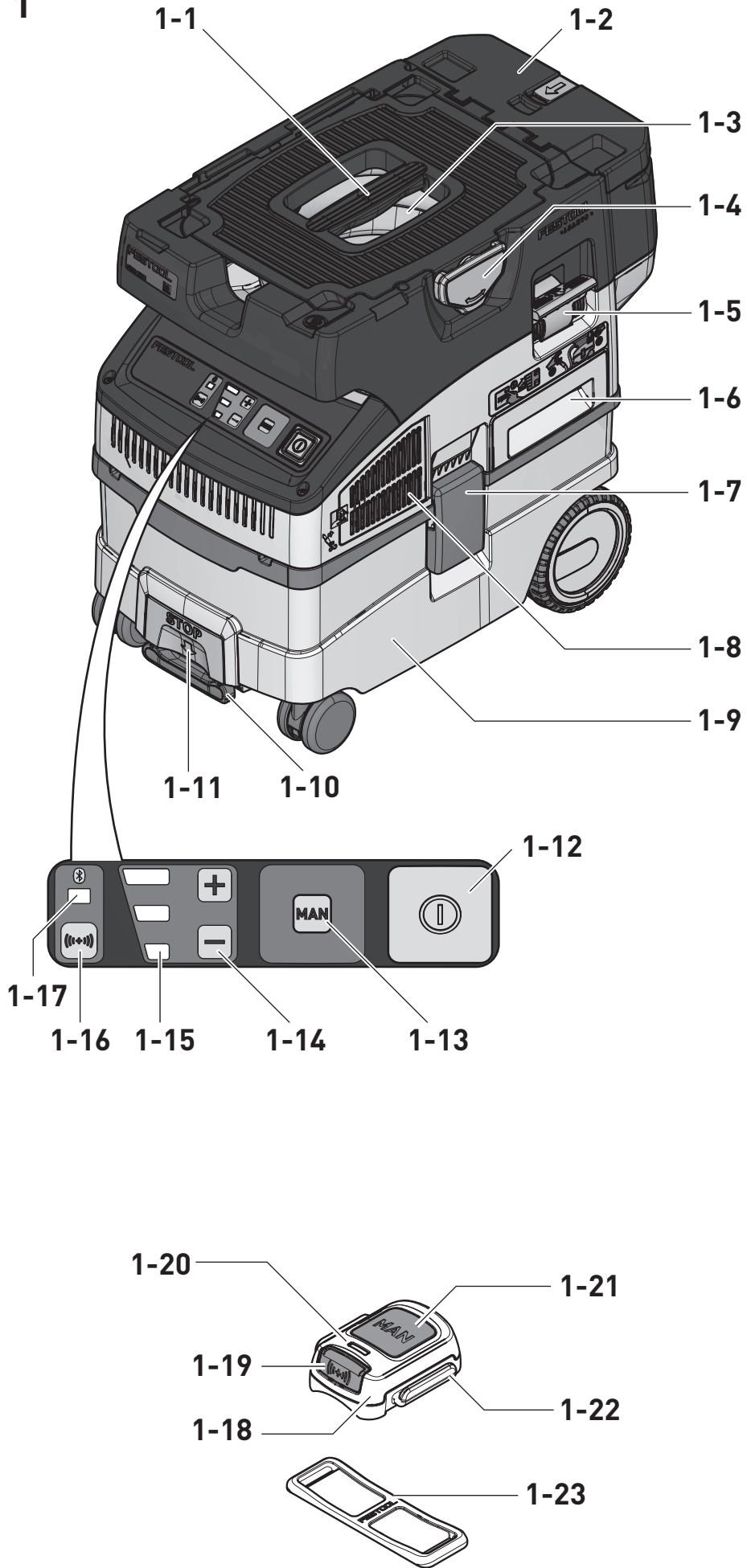








1





## Contents

1	Symbols.....	7
2	About this manual.....	7
3	Safety warnings.....	8
4	Intended use.....	11
5	Technical data.....	11
6	Functional Description.....	12
7	Preparations.....	12
8	Battery pack.....	13
9	Commissioning.....	13
10	Connecting a device.....	14
11	Settings.....	15
12	Working.....	15
13	Remote control.....	17
14	Warning signals.....	18
15	Service and maintenance.....	18
16	Transportation.....	19
17	Environment.....	19
18	General information.....	19



Removing the battery pack



Tip or advice



Handling instruction



Do not dispose of it with domestic waste.



Tool contains a chip which stores data. See section [18.2](#)

W	watt
h	hour
min	minutes
s	seconds
kg	kilograms
Pa	pascal
dB	decibel
V	volts
A	amperes
Hz	hertz
~ a.c.	alternating current
≡ d.c.	direct current
$n_0$	no load speed
	Class II construction
rpm	revolutions per minute
$\text{min}^{-1}$	revolutions per minute
"	inch
lbs.	pound
$\varnothing$	diameter

## 1 Symbols



Warning of general danger



Warning of electric shock



Read the operating manual and safety warnings.



Read the operating instructions and safety instructions.



Wear a dust mask.



**WARNING!** The machine may contain hazardous dust!



Do not climb on the unit



Inserting the battery pack

## 2 About this manual

### Save these instructions

It is important for you to read and understand this manual. The information it contains relates

to protecting **your safety** and **preventing problems**. The symbols below are used to help you recognize this information.



**DANGER** Description of imminent hazard and failure to avoid hazard will result in death.



**WARNING** Description of hazard and possible resulting injures or death.



**CAUTION** Description of hazard and possible resulting injuries.



**NOTICE** Statement including nature of hazard and possible result.



**HINT** Indicates information, notes, or tips for improving your success using the tool.

### 3 Safety warnings



## IMPORTANT SAFETY INSTRUCTIONS

When using an electrical appliance, basic precautions should always be followed, including the following:

### **READ ALL INSTRUCTIONS**

### **BEFORE USING THIS DUST EXTRACTOR:**

 **WARNING** - To reduce the risk of fire, electric shock, or injury:

- Disconnect battery pack before cleaning or servicing.
- Use indoors only.
- Do not allow to be used as a toy. Close attention is necessary when used by or near children.
- Use only as describes in this manual. Use only manufacturer's recommended attachments.
- If the dust extractor is not working as it should, has been dropped, damaged, left outdoors, or dropped into water, return it to a service center.
- Do not handle dust extractor with wet hands.
- Do not put any object into openings. Do not use with any opening blocked; keep free of dust, lint, hair, and anything that may reduce air flow.
- Keep hair, loose clothing, fingers, and all parts of body away from openings and moving parts.
- Use extra care when cleaning on stairs.
- Do not use to pick up flammable or combustible liquids, such as gasoline, or use in areas where they may be present.
- Do not pick up anything that is burning or smoking, such as cigarettes, matches, or hot ashes, hot chips or particles, sparks.
- Do not use without dust bag and/or filters in place.

## SAVE THESE INSTRUCTIONS

### **Further safety instructions**

- This appliance must not be used by persons (including children) with reduced physical, sensory or mental capabilities, or lack of experience



and knowledge. **Children** need to be supervised to ensure they do not play with the device.

- This machine must not be used by people who might have a particularly adverse reaction to an electric shock (e.g. **people with cardiac pacemakers**), because the possibility of the machine building up a static charge cannot be excluded.
- **Ensure you are on a firm base.** The effects of a shock moment, e.g. due to antistatic discharge, may lead to accidents.

- **WARNING!** Operators must be appropriately instructed in the use of this machine.

- **WARNING!** Device may contain hazardous dust. Only have the device maintained and emptied, and only have the filter replaced by an authorised specialist using suitable protective equipment.

- Always operate with the filter system installed!

- **Risk of explosion and fire! Do not extract:**

- Sparks, glowing particles or hot dust;
- combustible or explosive materials (e.g. magnesium, aluminium, petrol, diluting agents);
- aggressive materials (e.g. acid, alkaline solutions, solvents);
- chemically reactive materials which lead to the generation of heat, acids/bases, gases, etc. (e.g. reactive two-component materials, aluminium and water).

- Observe all national safety regulations as well as the material manufacturer's specifications!

-  **WARNING!**

Do not extract embers or other ignition sources. Do not use in conjunction with machines that generate sparks!

Per NFPA 484, do not collect incompatible materials that may react with the metal particles and do not use the dust extractor to collect materials it was not designed to collect. Doing so can result in the contents of the dust extractor catching fire.

- **WARNING!** If foam or fluid starts to escape, switch off the machine immediately.

- **CAUTION!** Regularly clean the water level limiting device and inspect it for signs of damage.

- Always use suitable protective equipment!

- If intact following a visual inspection, work in a dry environment according to instructions!

- Do not lift or transport using a crane hook or lifting gear.

- Only carry the machine using the handle provided.
- Use only the original Festool suction hose.
- Check the battery interface and the filter regularly in order to prevent a hazard. In the event of damage, the battery interface must be replaced by an authorised service workshop only.
- **Pay attention to the work environment and watch out for your own safety and the safety of others when transporting or working with the machine.**

In this way, you can for example prevent tripping hazards caused by the suction hose or mains cable.

- **Keep packaging film away from children.**

There is a risk of suffocation.

- **NOTE**

This machine is only intended for indoor use.

This machine must only be stored indoors.

- **Follow the operating manual for the charger and the battery pack.**
- **Do not use power supply units or third-party battery packs to operate cordless devices. Do not use third-party chargers to charge the battery pack.** The use of accessories not expressly authorised by the manufacturer can result in electric shocks and/or serious accidents.
- **Keep the unused battery pack away from metal objects (e.g. nails, screws, keys, paper clips, etc.) that could cause bridging of the contacts.** A short circuit between the battery contacts can cause burns or fire.
- **Only use the battery pack in combination with your Festool device.** This is the only way to protect the battery pack from dangerous overload. Use of another device can lead to injury and fire hazard.
- **Do not use battery packs that are damaged or have been modified.** Damaged or modified battery packs can lead to fire, explosion or injuries.
- **Disconnect the battery pack from the device before you change the accessory parts/consumables, or place the device in storage.** Such preventative safety measures reduce the risk of unintentionally starting the device.

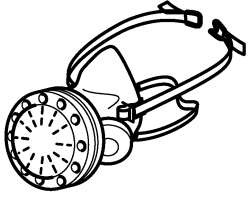
### Health hazard by dust

## **WARNING!**

various dust created by power sanding, sawing, grinding, drilling and other construction activities contains chemicals known (to the State of California) to cause cancer, birth defects or other reproductive harm. Some examples of these chemicals are:

- lead from lead-based paints,

- crystalline silica from bricks and cement and other masonry products, and
- arsenic and chromium from chemically treated lumber.



The risk from these exposures varies, depending on how often you do this type of work. To reduce your exposure to these chemicals: work in a well ventilated area, and work with approved safety equipment, such as dust masks that are specially designed to filter out microscopic particles. Wash hands after handling.



### WARNING

**TO REDUCE THE RISK OF INJURY, USER MUST READ INSTRUCTION MANUAL.**

## 4 Intended use

### CTC MIDI I

Cordless mobile dust extractor suitable

- for extracting dust, dirt, sand and chips corresponding to the fitted HEPA filter element,
- for absorbing water,
- for increased loads during commercial use in accordance with IEC/EN 60335-2-69,

- for indoor use,
- for use with BP Festool battery packs of the same voltage class which have been approved for this cordless mobile dust extractor.

This extractor has been tested in accordance with OSHA 1926.1153. The HEPA Filter is tested and certified in accordance with IEST RP-CC-001, to filter and exhaust air particles to 0.3 microns with at least 99.97 % efficiency with no bypass leakage.



The user is liable for improper or non-intended use.

## 5 Technical data

Cordless mobile dust extractor	
Motor voltage	36 V (2x 18 V) $\equiv$
Compatible battery packs	BP 18 series <sup>[1]</sup>
Max. suction capacity (air), extractor/turbine	108 m <sup>3</sup> /h / 202 m <sup>3</sup> /h (3814 cu.ft./h / 7134 cu.ft./h)
Max. vacuum, turbine	190 hPa
Filter surface area	3898 cm <sup>2</sup> (604.2 sq.in.)
Suction hose	D 27/32 x 3.5 m-AS/CTR
Sound pressure level as per EN 60335-2-69/uncertainty K	67 dB(A)/3 dB
Hand-arm vibration value as per EN 60335-2-69/uncertainty K	< 2.5 m/s <sup>2</sup> / 1.5 m/s <sup>2</sup>
Type of protection	IP X4

[1] For a listing of possible battery pack variants for operation of the device, see table [5]. For newer battery packs that are not listed, follow the instructions from the Festool Work App or contact the Festool customer service team.

Cordless mobile dust extractor	
Frequency (cordless mobile dust extractor/remote control)	2402 – 2480 Mhz
Equivalent Isotropically Radiated Power (EIRP) (cordless mobile dust extractor/remote control)	< 10 dBm
Container capacity	15 l (4 gal.)
Dimensions L x W x H	550 x 320 x 495 mm (21-5/8 x 12-9/16 x 19-1/2")
Weight (without battery packs)	25,79 lbs

## 6 Functional Description

The pictures for the functional description are on a fold-out page at the beginning of the instruction manual. While reading the manual you can fold out the page for comparison and quick reference.

### 6.1 Cordless mobile dust extractor

- [1-1] Handle
- [1-2] Battery case
- [1-3] Hose garage
- [1-4] T-Loc lock for Systainers
- [1-5] Dedusting
- [1-6] main filter
- [1-7] Locking clip
- [1-8] Exhaust-air outlet
- [1-9] Dirt trap
- [1-10] Brake
- [1-11] Release button (brake)
- [1-12] On/off button
- [1-13] MAN button
- [1-14] Suction power adjustment
- [1-15] Status display (suction power/warning signals)
- [1-16] Connection button
- [1-17] Connection display
- [1-18] Remote control CT-F I \*

### 6.2 Remote control CT-F I

- [1-19] Connection button
- [1-20] LED indicator
- [1-21] MAN button (for manually switching on)

[1-22] Attachment point for the fastening straps

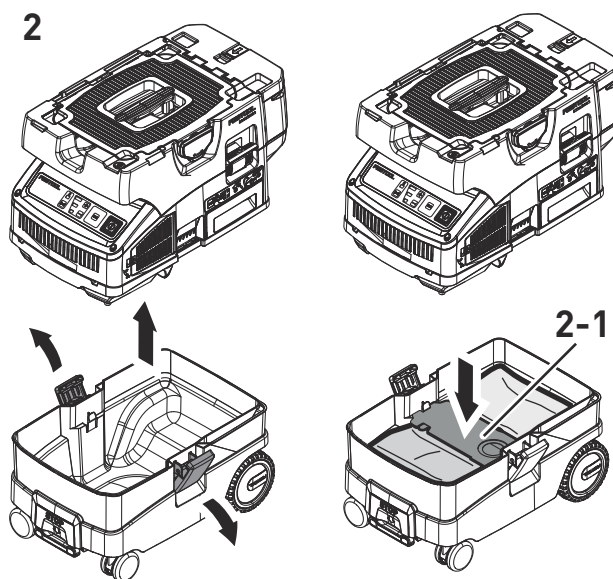
[1-23] Fastening strap

The specified illustrations appear at the beginning of the Operating Instructions.

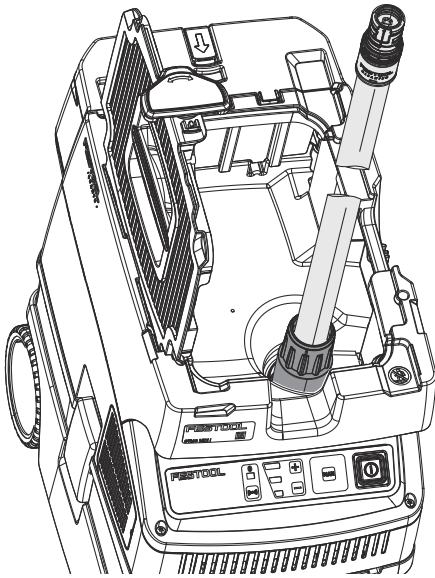
\* Accessories shown or described are not always included in the scope of delivery.

## 7 Preparations

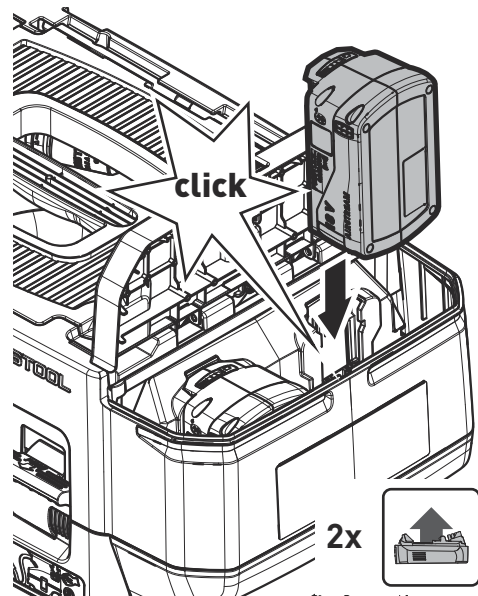
- ▶ Insert the filter/disposal bag [2-1].
- ▶ Connect the suction hose [3].



3



4b



## 8 Battery pack

Before using the battery pack, check that the battery interface is clean. Any contamination of the battery interface may impair correct contact and lead to the contacts being damaged.

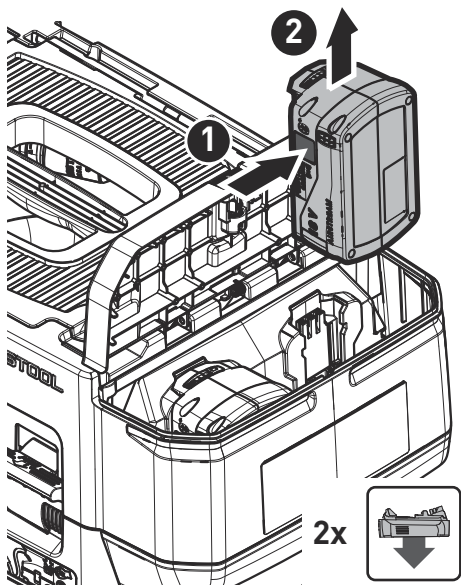
A faulty contact may result in the machine overheating or being damaged.

**[4A]** Remove the battery pack.

**[4B]** Insert the battery pack – until it clicks into place.



4a



**i** The cordless mobile dust extractor can only be operated with two battery packs. For a listing of possible battery pack variants for operation of the device, see table **[5]**. For newer battery packs that are not listed, follow the instructions from the Festool Work App or contact the Festool customer service team.

**i** Further information about the charger and battery pack with capacity indicator can be found in the corresponding operating manual.

5

BP 18 Li 4,0 HPC-ASI  
 BP 18 Li 4,0 HPC-AS  
 BP 18 Li 5,2 ASI  
 BP 18 Li 6,2 ASI  
 BP 18 Li 5,2 AS  
 BP 18 Li 6,2 AS



## 9 Commissioning

### Standby mode

► Press the on/off button **[1-12]**.

*The green LEDs on the status display **[1-15]** indicate standby mode.*

Pressing the on/off button again will switch off the cordless mobile dust extractor.

### Starting/stopping the cordless mobile dust extractor manually

The cordless mobile dust extractor is in standby mode.

Directly on the cordless mobile dust extractor:

- ▶ Press the MAN button **[1-13]** to start/stop.

Alternatively, use the connected remote control CT-F I (see chapter 10.2):

- ▶ Press the MAN button **[1-21]** on the remote control to start/stop.

### Starting/stopping the cordless mobile dust extractor automatically

The cordless mobile dust extractor is in standby mode.

- ▶ To start/stop the cordless mobile dust extractor automatically: Switch the connected battery-powered power tool on/off (see chapter 10.1).

## 10 Connecting a device



### WARNING

#### Risk of injury from a cordless mobile dust extractor starting up unsupervised

- ▶ Before performing any work with the cordless mobile dust extractor, check which remote control and which cordless power tool are connected to the cordless mobile dust extractor.
- ▶ A battery-powered power tool must always be connected to the cordless mobile dust extractor via the suction hose. After finishing work, the connection to the cordless mobile dust extractor must be disconnected.
- ▶ The remote control must only be attached to the suction hose.

### 10.1 Connecting a battery-powered power tool

- ▶ In standby mode, press the connection button **[1-16]**.

*The connection display [1-17] slowly flashes blue. For a period of 60 seconds, the cordless mobile dust extractor is ready for connection.*

- ▶ Switch on the power tool.

*The cordless mobile dust extractor starts up.*

The cordless mobile dust extractor is connected until the on/off button **[1-12]** is pressed or a battery pack is removed (from the cordless mobile dust extractor). The power tool must then be connected again.

- ⓘ Connecting a new power tool overwrites the previous connection.

- ⓘ This function is only possible on Festool power tools with a **Bluetooth®** battery pack.

### 10.2 Connecting the CT-F I remote control

To be able to connect a remote control to a cordless mobile dust extractor, the remote control must be reset (see "Reset on the remote control").

Remote controls that have not been connected previously can be connected directly.

- ⓘ A connection that has been created between remote controls and the cordless mobile dust extractor will persist even after pressing the on/off button or removing a battery pack (from the cordless mobile dust extractor).

- ⓘ The cordless mobile dust extractor can be connected to as many as five remote controls at the same time. The cordless mobile dust extractor can only be connected to one battery-powered power tool at a time.

- ⓘ If a cordless mobile dust extractor which was initially switched on using the battery pack is switched off using the remote control, the temporary connection between the connected battery pack and the cordless mobile dust extractor will be lost. The battery pack can then be connected again.

- ▶ Hold down the connection button **[1-16]** on the cordless mobile dust extractor for three seconds in standby mode.

*The connection display [1-17] rapidly flashes blue. For a period of 60 seconds, the cordless mobile dust extractor is ready for connection.*

- ▶ Press the MAN button **[1-21]** on the remote control.

*The remote control is permanently stored in the cordless mobile dust extractor.*

#### Resetting on the remote control

Resetting deletes the connection between a remote control and the cordless mobile dust extractor.

- ▶ Press and hold the connection button **[1-19]** and the MAN button **[1-21]** for 10 seconds.

*The LED indicator [1-20] lights up purple, if the reset has taken place.*

### 10.3 Connecting a mobile device

The cordless mobile dust extractor can be connected to a mobile device (e.g. for a software update) using the Festool Work app.

- ▶ Hold down the connection button [1-16] on the cordless mobile dust extractor for three seconds in standby mode.

*The connection display [1-17] rapidly flashes blue. For a period of 60 seconds, the cordless mobile dust extractor is ready for connection.*

- ▶ Follow the instructions provided in the Festool Work app to authorise the secure connection.

## 11 Settings

### 11.1 Adjusting the suction power

- ▶ Press the plus or minus button for the suction power adjustment [1-14] while extracting.

*The green LEDs on the status display [1-15] indicate the current performance level.*

### 11.2 Connecting sleeve

The bypass function of the connecting sleeve [3-1] prevents strong suction from sanding machines and floor nozzles on smooth surfaces.

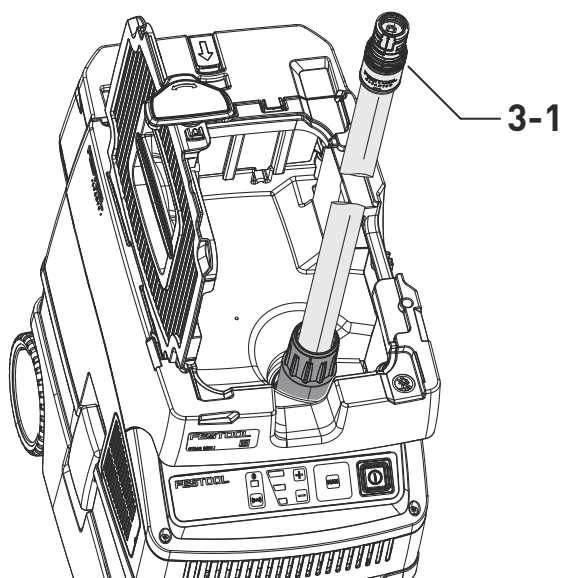
#### Open

- ▶ Turn the adjusting ring to the "OPEN" position.

#### Close

- ▶ Turn the adjusting ring to the "CLOSE" position.

3



### 11.3 Temperature cut-out

To protect against overheating, the temperature cut-out switches off the cordless mobile dust extractor before it reaches the critical

temperature. The status display LED [1-15] indicates a fault.

LED lights up red Excessive temperature

- ▶ Switch off the cordless mobile dust extractor, let it cool down.
- ▶ Switch the cordless mobile dust extractor on again after approx. ten minutes.

### 11.4 SysDoc



#### WARNING

##### Risk of injury

- ▶ Do not stand on the storage area of the cordless mobile dust extractor.



#### CAUTION

##### Risk of injury

- ▶ When transporting, ensure that the T-Loc is closed.

A Systainer can be fastened to the storage area of the hose holder [1-3] with the T-Loc lock [1-4].

### 11.5 Applying the brake

- ▶ Raise the front of the cordless mobile dust extractor slightly.
- ▶ Push down the brake [1-10] until it engages into position.
- ▶ Actuate the release button [1-11] to release it.

## 12 Working

### 12.1 Extracting dry materials



#### CAUTION

##### Hazardous dust

##### Damage to the respiratory passage

- ▶ Always use a filter bag!
- ▶ Check that the main filter is undamaged before extracting.



When extracting dust that exceeds the limit value, only extract from one dust source (power or compressed-air tool).

**Observe** the following when extracting dust generated by operating power tools: Ensure there is adequate ventilation! Observe regional regulations!

**Limit values:** Exhaust air max. 50% of the fresh air volume

**Equation:** Room volume  $V_R$  x air renewal rate  $L_W$

## 12.2 Extracting wet materials/liquids



Remove the filter bag!  
Use a special wet filter.

The dust extraction stops automatically when the maximum fill level is reached.

The bottom LED [1-15] lights up red.

- ▶ Switch off the mobile dust extractor [1-12].
- ▶ Open the locking clips [1-7] and remove the top section of the machine.
- ▶ Empty the dirt trap [1-9].

After wet extraction, allow the main filter to dry!  
Dry the mobile dust extractor before extracting dry dust.



### CAUTION

#### Hazardous dust

#### Damage to the respiratory passage

- ▶ After extracting wet materials, remove the wet filter and replace it with the main filter for dry materials.



### CAUTION

#### Escaping foam and liquids

- ▶ Switch off and empty the machine immediately.

## 12.3 Exhaust-air outlet



### CAUTION

#### Hazardous dust

#### Damage to the respiratory passage

- ▶ Do not blow off any dust!

The exhaust-air outlet offers the option of diverting the exhaust air outside a building using the suction hose.

- ▶ Open the grille in front of the exhaust-air outlet [1-8].
- ▶ Insert the suction hose in the exhaust-air outlet [1-8].

## 12.4 Cleaning the main filter and filter bag manually

- ▶ In standby mode, press the MAN button [1-13].
- ▶ Set the suction power to the maximum setting [1-14].
- ▶ Close the suction hose manually while at the same time briefly pressing down the cleaning lever [1-5] three times.

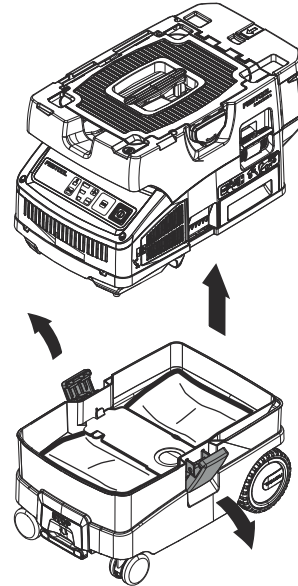
## 12.5 Changing the filter bag with minimal dust

- ▶ Open the locking clips and remove the top section of the machine [2].
- ▶ Pull the tab on the filter bag until the filter bag opening is fully closed.

The filter bag is now securely closed and can be removed.

- ▶ Fit the top section of the machine and close the locking clips.

2



## 12.6 Changing the main filter [6]

- ▶ Remove the used main filter [1-6].
- ▶ Dispose of the used main filter in accordance with statutory regulations.
- ▶ Insert the new main filter.

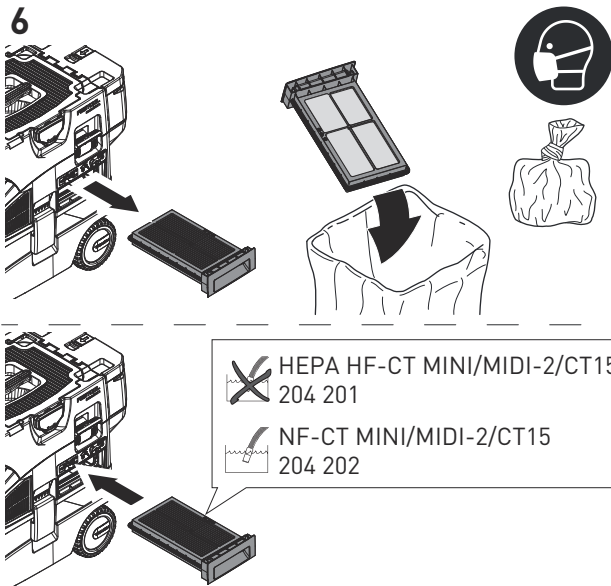
- ⓘ PO numbers for accessories, filters and consumables in the Festool catalogue or online at "www.festool.com".

### NOTICE

#### Damage to the motor

- ▶ Never extract material without a main filter or with a damaged main filter, as this can damage the motor.





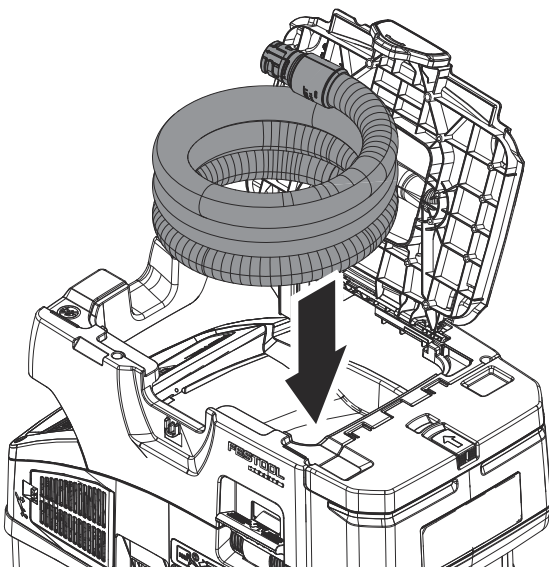
## 12.7 After finishing work

- ▶ Switch off the cordless mobile dust extractor.
- ▶ Remove the battery pack.
 

**Note:** Keep the unused battery pack away from metal objects (e.g. nails, screws, keys, paper clips, etc.) as these may cause bridging of the contacts.
- ▶ Empty the dirt trap.
- ▶ Place the suction hose in the sealable hose holder [7].
- ▶ Vacuum and wipe the inside and outside of the cordless mobile dust extractor to clean it.
- ▶ Place the cordless mobile dust extractor in a dry room inaccessible to unauthorised users.

ⓘ The lid of the hose holder [1-3] also serves as a storage area for tools.

7



## 13 Remote control

### 13.1 Intended use of remote control CT-F I

The remote control can manually start / stop a connected cordless mobile dust extractor.

⚠ The user is liable for improper or non-intended use.

### 13.2 Assembly

Attach the remote control [1-18] to the suction hose using the corresponding fastening strap [1-23].

ⓘ To connect the remote control and the cordless mobile dust extractor, see section 10.2.

### 13.3 LED indicator [1-20]

The remote control's LED indicator displays, the charge status of the remote control in addition to the Bluetooth® functionality:

🔋 **Flashes blue once**  
Confirmation of the connection button [1-19] or MAN button [1-21] having been pressed.

🔋 **Flashes purple once**  
The remote control has been reset.

🔋 **Flashes red**  
The remote control's battery is nearly empty and must be replaced.

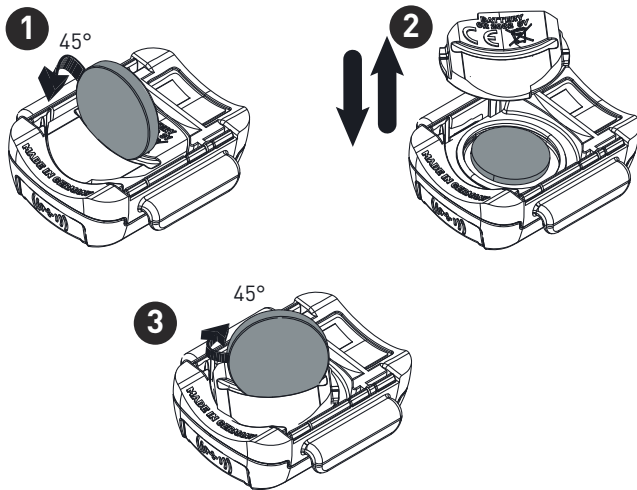
### 13.4 Changing the remote control's battery [8]

ⓘ The remote control is operated using a CR 2032 battery.

ⓘ If the battery compartment is opened, we recommend that you replace the seal (20 x 1.3 mm).

- ▶ ① Open the battery compartment closure.
- ▶ ② Replace the battery.
- ▶ ③ Close the battery compartment.

8



### 13.5 Software update


To check whether a software update that will enhance the functions of the remote control or improve existing functions is available, a Bluetooth® connection to the Festool Work App can be established.

- ▶ Press the connection button on the remote control [1-19] until the LED indicator [1-20] flashes blue.

*The remote control is ready for connection for 60 seconds.*

- ▶ Follow the instructions provided in the Festool Work App to authorise the secure connection.

## 14 Warning signals

Warning signal	Description of warning signal	Cause	Action	
Visual	LED [1-15] Flashes green	Battery pack empty	Charge the battery pack.	
		Incorrect battery pack	Use correct battery pack (see section 5).	
		Battery pack under-cooling.	Operating temperature, see battery pack operating manual.	
	Flashes red	Battery pack faulty	<ul style="list-style-type: none"> <li>– Change the battery pack.</li> <li>– Use the charger to check that the battery pack is fully functional once it has cooled down.</li> </ul>	
		Lights up red	Cordless mobile dust extractor overheating	See section 11.3.
		Battery pack overheating	Leave the battery pack to cool for approx. 10 minutes.	
Acoustic	Signal Increasing, beginning with two short 	Battery pack charge low	<ul style="list-style-type: none"> <li>– Charge the battery pack.</li> <li>– Use the newly charged battery pack.</li> </ul>	
		Water level limit: Maximum fill level height reached	See section 12.2.	

## 15 Service and maintenance



### WARNING

#### Risk of injury, electric shock

- ▶ Always remove the battery pack from the cordless mobile dust extractor before performing any maintenance or service work.
- ▶ All maintenance and repair work which requires the motor housing to be opened should always be carried out by an authorised service workshop.



### CAUTION

#### Certain cleaning agents and solvents are harmful to plastic parts.

- ▶ Some of these include, but are not limited to: Gasoline, Acetone, Methyl Ethyl Ketone (MEK), Carbonyl Chloride, cleaning solutions containing Chlorine, Ammonia, and household cleaners containing Ammonia.

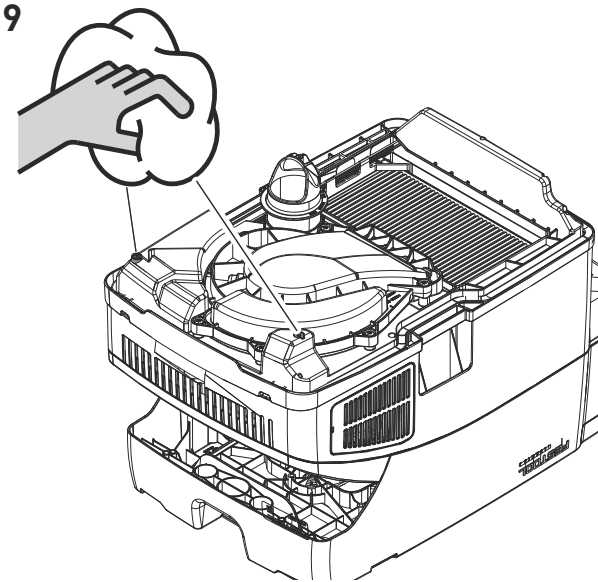


**Customer service and repairs** must only be carried out by the manufacturer or service workshops. Find the nearest address at:  
[www.festoolusa.com/service](http://www.festoolusa.com/service)



Always use original Festool spare parts. Order no. at:  
[www.festoolusa.com/service](http://www.festoolusa.com/service)

- ▶ Regularly clean the fill level sensors [9] and empty the dirt trap [1-9].



### Observe the following information:

- Dust-related inspection (e.g. for filter damage, tightness of the machine and function of the control devices) by the manufacturer or an instructed person at least once a year.
- Dispose of components that cannot be cleaned. Use impermeable bags to do so. Observe the applicable disposal provisions!
- Keep the contacts on the cordless mobile dust extractor, charger and battery pack clean.

Refer to the Festool catalogue for the order numbers of accessories and tools or find them online at [www.festoolusa.com](http://www.festoolusa.com).

## 16 Transportation

### Observe the following information:

- Always lock the T-Loc lock on the cordless mobile dust extractor prior to transportation.
- Only carry it by the handle [1-1].
- For transportation in vehicles, secure the cordless mobile dust extractor against slipping and tilting in accordance with the valid guidelines.

## 17 Environment

**Do not dispose of the device together with domestic waste!** Dispose of machines, accessories and packaging at an environmentally responsible recycling centre. Observe the valid national regulations.

### Battery Disposal



### WARNING

#### Risk of fire or injury

- ▶ Do not attempt to disassemble the battery or remove any component projecting from the battery terminals.
- ▶ Prior to disposal, protect exposed terminals with heavy insulating tape to prevent shorting.

## 18 General information

### 18.1 Information about Bluetooth®

As soon as the tool is connected to the Festool Work app via Bluetooth® and the secure connection has been authorised, the tool will connect automatically to the Festool Work app from this point onwards. The tool then regularly sends status information (ID, operating status, etc.) via Bluetooth®.

The Bluetooth® word mark and the logos are registered trademarks of Bluetooth SIG, Inc.; they are used by TTS Tooltechnic Systems AG & Co. KG, and therefore by Festool, under licence.

### 18.2 Information on data privacy

The tool contains a chip which automatically stores machine and operating data. The data saved cannot be traced back directly to an individual.

The data can be read in a contactless manner using special devices and shall only be used by Festool for fault diagnosis, repair and warranty processing and for quality improvement or enhancement of the device. The data shall not be used in any other way without the express consent of the customer.

### 18.3 USA: Federal Communications Commission (FCC) Interference Statement

NOTE: This equipment has been tested and found to comply with the limits for a Class B digital device, pursuant to part 15 of the **FCC Rules**. These limits are designed to provide reasonable protection against harmful interference in a residential installation. This equipment generates, uses and can radiate radio fre-

quency energy and, if not installed and used in accordance with the instructions, may cause harmful interference to radio communications. However, there is no guarantee that interference will not occur in a particular installation. If this equipment does cause harmful interference to radio or television reception, which can be determined by turning the equipment off and on, the user is encouraged to try to correct the interference by one or more of the following measures:

- Reorient or relocate the receiving antenna.
- Increase the separation between the equipment and receiver.
- Connect the equipment into an outlet on a circuit different from that to which the receiver is connected.
- Consult the dealer or an experienced radio/TV technician for help.

NOTE: Any changes or modifications not expressly approved by the party responsible for compliance could void the user's authority to operate the equipment.

#### **18.4 Canada: Notes (ISED)**

---

This Class B digital apparatus complies with Canadian ICES-003 and RSS-210. Operation is subject to the following two conditions:

- (1) this device may not cause interference
- (2) this device must accept any interference, including interference that may cause undesired operation of the device.

#### **18.5 Canada: RSS Compliance Statement**

---

This device complies with Industry Canada's licence-exempt RSSs. Operation is subject to the following two conditions:

- (1) This device may not cause interference; and
- (2) This device must accept any interference, including interference that may cause undesired operation of the device. This device has been designed and complies with the safety requirement for RF exposure in accordance with RSS-102, issue 5 for portable conditions.

#### **18.6 Canada: Radio frequency (RF) Exposure Information**

---

The radiated output power of the Wireless Device is below the Innovation, Science and Economic Development (ISED) radio frequency exposure limits. The Wireless Device should be used in such a manner such that the potential for human contact during normal operation is minimized.

The compliance distance between the user and the Bluetooth® module has to be 25/64" (10 mm).

## Sommaire

1	Symboles.....	21
2	À propos de ce manuel.....	21
3	Consignes de sécurité.....	22
4	Utilisation conforme.....	26
5	Caractéristiques techniques.....	26
6	Description des éléments fonctionnels....	27
7	Préparation.....	27
8	Batterie.....	27
9	Mise en service.....	28
10	Connexion avec des appareils.....	29
11	Réglages.....	30
12	Mode de travail.....	30
13	Commande à distance.....	32
14	Signaux d'avertissement.....	33
15	Entretien et maintenance.....	34
16	Transport.....	34
17	Environnement.....	34
18	Remarques générales.....	34



Dégager la batterie



Conseil, information



Instruction



Ne pas jeter avec les ordures ménagères.



L'appareil contient une puce permettant l'enregistrement de données. Voir chapitre 18.2

W

Watt

h

Heure

min

Minute

s

Seconde

kg

Kilogramme

Pa

Pascal

dB

Décibel

V

Volt

A

Ampère

Hz

Hertz

~ c.a.

Courant alternatif

--- c.c.

Courant continu

$n_0$

Vitesse à vide



Conception de classe II

tr/min

Tours par minute

min<sup>-1</sup>

..

Pouce

lbs.

Livre



Diamètre

## 1 Symboles



Avertit d'un danger général



Avertit d'un risque de décharge électrique



Lire la notice d'utilisation et les consignes de sécurité !



Lire le mode d'emploi et les consignes de sécurité !



Porter une protection respiratoire !



**Avertissement !** L'appareil peut contenir des poussières nocives pour la santé.



Interdiction de monter sur l'appareil



Insérer la batterie

## 2 À propos de ce manuel

### Conservez ces instructions

Il est important pour vous de lire et de comprendre ce manuel. Les informations qu'il contient, se rapporte à la protection **de votre sécu-**

**rité et de prévention des problèmes.** Les symboles suivants sont utilisés pour vous aider à reconnaître cette information.






DANGER

Description du risque imminent et l'incapacité à éviter tout risque qui peut entraîner la mort.



AVERTISSEMENT

Description des dangers possibles et des blessures qui en résultent ou la mort.

	<b>ATTENTION</b>	Description des dangers et des éventuelles blessures qui en résultent.
	<b>AVIS</b>	Déclaration incluant le type de danger et conséquences possibles.
	<b>CONSEIL</b>	Indique des informations, des notes ou des conseils pour améliorer votre succès en utilisant l'outil.

### 3 Consignes de sécurité



## IMPORTANTES CONSIGNES DE SÉCURITÉ

Lors de l'utilisation d'un appareil électrique, il est toujours nécessaire de prendre des mesures fondamentales de précaution, dont celles indiquées ci-dessous :

**LISEZ TOUTES LES CONSIGNES  
AVANT D'UTILISER CET ASPIRATEUR :**

 **AVERTISSEMENT** - Afin de réduire les risques d'incendie, de choc électrique et de blessures :

- Débranchez la batterie avant le nettoyage ou les opérations d'entretien.
- Utilisez l'aspirateur uniquement à l'intérieur.
- Ne laissez pas l'aspirateur servir de jouet. Soyez particulièrement attentif lorsque l'aspirateur est utilisé par des enfants ou à proximité d'enfants.
- Utilisez l'aspirateur uniquement comme décrit dans cette notice. Utilisez uniquement les accessoires recommandés par le fabricant.
- Si l'aspirateur ne fonctionne pas normalement, s'il est tombé par terre, a été endommagé, est resté à l'extérieur ou est tombé dans l'eau, renvoyez-le à un centre de service après-vente.
- Ne manipulez pas l'aspirateur les mains mouillées.
- Ne placez aucun objet dans les ouvertures. N'utilisez pas l'aspirateur si une ou plusieurs ouvertures sont obstruées ; veillez à retirer immédiatement les poussières, les peluches, les cheveux et tout autre objet susceptible de réduire le flux d'air.
- Veillez à tenir vos cheveux, les vêtements amples, vos doigts et toute autre partie de votre corps à distance des ouvertures et des pièces mobiles.
- Soyez particulièrement prudent lorsque vous procédez au nettoyage sur des marches d'escalier.



# IMPORTANTES CONSIGNES DE SÉCURITÉ

- N'aspirez pas de liquides inflammables ou combustibles, tels que l'essence, et n'utilisez pas l'aspirateur dans des endroits où pourraient se trouver de tels liquides.
- N'aspirez aucun objet qui brûle ou dégage de la fumée, par exemple des cigarettes, des allumettes ou des cendre chaudes, ou encore des copeaux ou particules chauds ou des étincelles.
- N'utilisez pas l'aspirateur sans avoir installé de sac récupérateur de poussière et/ou de filtres.

## CONSERVEZ CES INSTRUCTIONS

### Autres consignes de sécurité

- Cet appareil ne doit pas être utilisé par des personnes (y compris des enfants) aux capacités physiques, sensorielles ou mentales diminuées ou manquant d'expérience et de connaissances. Il convient de surveiller **les enfants** afin de s'assurer qu'ils ne jouent pas avec l'appareil.
- Cet appareil ne doit pas être utilisé par des personnes pouvant être sensibles à une décharge électrique (par ex. **des personnes avec stimulateur cardiaque**) étant donné qu'une charge statique de l'appareil ne peut être exclue.
- **Veillez à adopter une posture stable vous permettant d'éviter de perdre l'équilibre.** Tout mouvement brusque effectué par surprise, par ex. sous l'effet d'une décharge électrostatique, peut provoquer des accidents.

- **AVERTISSEMENT!** Les utilisateurs doivent être formés de manière appropriée à l'utilisation de cet appareil.

- **AVERTISSEMENT!** L'appareil peut contenir des poussières nocives pour la santé. Entretien, vidange et remplacement de filtre uniquement par le personnel spécialisé autorisé portant un équipement de protection approprié.

- Utiliser l'appareil uniquement lorsque le système de filtres est installé.

- **Risque d'explosion et d'incendie ! Ne pas aspirer :**

- les étincelles, les fragments incandescents ou les poussières chaudes ;
- les substances inflammables ou explosives (par ex. magnésium, aluminium, essence, diluants) ;

- les substances agressives (par ex. acides, solutions alcalines, solvants) ;
- les substances chimiques réactives entraînant un dégagement de chaleur ou la formation d'acides/bases, de gaz, etc. (par ex. bi-matériaux réactifs, aluminium et eau).
- Respecter les règlements de sécurité en vigueur dans le pays d'utilisation ainsi que les consignes du fabricant du matériau.

## - **AVERTISSEMENT!**

Ne pas aspirer de braises ou autres sources d'étincelles. Ne pas utiliser avec des machines sources d'étincelles!

Selon la norme NFPA 484, ne pas collecter de matériaux incompatibles susceptibles de réagir avec les particules métalliques et ne pas utiliser l'extracteur de poussière pour collecter des matériaux pour lesquels il n'a pas été conçu. Sinon, le contenu de l'extracteur de poussière peut prendre feu.

- **AVERTISSEMENT !** Éteindre immédiatement l'appareil en cas de fuite de mousse ou de liquide.
- **ATTENTION !** Nettoyer régulièrement le dispositif de limitation du niveau d'eau et l'examiner pour s'assurer de l'absence de traces d'endommagement.
- Utiliser l'appareil uniquement avec un équipement de protection approprié.
- Travailler dans un environnement sec, après avoir reçu les instructions nécessaires, et uniquement après avoir effectué un contrôle visuel pour s'assurer que l'appareil est en bon état.
- Ne pas soulever et transporter avec un crochet de palan ou un engin de levage.
- Ne portez l'appareil que par la poignée prévue à cette fin.
- Utiliser uniquement le tuyau d'aspiration Festool d'origine.
- Contrôler l'interface de la batterie et le filtre pour éviter l'apparition de dangers. En cas d'endommagement, faire remplacer l'interface de la batterie uniquement par un atelier de service après-vente agréé.
- **Tenez compte de l'environnement de travail et veillez à votre sécurité et à celle des autres durant le transport ou l'utilisation de l'appareil.** Vous éviterez ainsi par ex. des risques de trébuchement sur le tuyau d'aspiration ou le câble secteur.
- **Tenez les films d'emballage hors de portée des enfants.** Sinon, ils risquent de s'étouffer.
- **ATTENTION**  
Cet appareil est uniquement prévu pour l'utilisation à l'intérieur.  
Cet appareil ne peut être stocké qu'à l'intérieur.



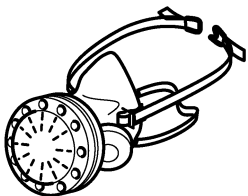
- **Respectez la notice d'utilisation du chargeur et de la batterie.**
- **Ne pas faire fonctionner l'appareil sans fil avec des blocs d'alimentation secteur ou des batteries d'autres fabricants. Ne pas utiliser de chargeurs d'autres fabricants pour recharger les batteries.** L'utilisation d'accessoires autres que ceux prévus par le fabricant peut provoquer une décharge électrique et/ou des accidents graves.
- **Conservez la batterie inutilisée à l'écart des objets métalliques (par ex. clous, vis, clés, agrafes, etc.) susceptibles de provoquer un pontage des contacts.** Un court-circuit entre les contacts de la batterie peut causer des brûlures ou un incendie.
- **Utilisez la batterie uniquement avec votre outil Festool.** Vous protégez ainsi la batterie d'une surcharge dangereuse. L'utilisation d'un autre appareil peut entraîner des blessures et un risque d'incendie.
- **N'utilisez pas de batteries endommagées ou modifiées.** Les batteries endommagées ou modifiées peuvent provoquer un incendie, une explosion ou des blessures.
- **Avant de remplacer des accessoires ou des consommables, ou de ranger l'appareil, débranchez la batterie de l'appareil.** Les mesures de sécurité préventives de ce type réduisent le risque de démarrage accidentel de l'appareil.

### La poussière, un risque pour la santé

## **AVERTISSEMENT!**

certaines poussières créées par le ponçage mécanique, le sciage, le meulage, le perçage et autres activités reliées à la construction contiennent des substances chimiques connues (dans l'État de la Californie) comme pouvant causer le cancer, des anomalies congénitales ou représenter d'autres dangers pour la reproduction. Voici quelques exemples de telles substances:

- plomb provenant de peintures à base de plomb,
- silice cristallisée utilisée dans les briques, le ciment et autres matériaux de maçonnerie, et
- arsenic et chrome du bois d'oeuvre traité avec un produit chimique.



Le risque d'exposition à de tels produits varie selon la fréquence à laquelle vous faites ce genre de travail. Pour réduire les risques d'exposition à ces substances chimiques : travaillez dans un endroit adéquatement ventilé et utilisez un équipement de sécurité approuvé, tel que masques antipoussières spécialement conçus pour filtrer les particules microscopiques.

**AVERTISSEMENT**

**POUR RÉDUIRE LE RISQUE DE DOMMAGES, L'UTILISATEUR DOIT LIRE LE MANUEL D'INSTRUCTION.**

**4 Utilisation conforme****CTC MIDI I**

Aspirateur sans fil conçu

- pour l'aspiration de poussières, salissures, sable et copeaux correspondant à l'élément filtrant HEPA installé,
- pour l'aspiration d'eau,
- pour des contraintes accrues dans le cadre de l'usage commercial conformément à CEI/NE 60335-2-69,

- pour l'utilisation en intérieur,
- pour l'utilisation avec des batteries Festool BP de la même catégorie de tension et autorisées pour cet aspirateur sans fil.

Cet aspirateur a été soumis à des essais conformément à OSHA 1926.1153. Le filtre HEPA a été soumis à des essais et certifié conformément à IEST RP-CC-001 pour le filtrage et l'extraction de particules d'une taille maximale de 0,3 micron contenues dans l'air, avec une efficacité minimale de 99,97 % et sans fuite de by-pass.



L'utilisateur est responsable des dommages provoqués par une utilisation non conforme.

**5 Caractéristiques techniques**

Aspirateur sans fil	
Tension du moteur	36 V (2x 18 V) ---
Batteries compatibles	Série BP 18 [2]
Débit (air) max., aspirateur/centrale d'aspiration	108 m <sup>3</sup> /h / 202 m <sup>3</sup> /h (3814 cu.ft./h / 7134 cu.ft./h)
Dépression max., centrale d'aspiration	190 hPa
Surface filtrante	3898 cm <sup>2</sup> (604,2 sq.in.)
Tuyau d'aspiration	D 27/32 x 3,5 m-AS/CTR
Niveau de pression acoustique selon EN 60335-2-69/ incertitude K	67 dB(A)/ 3 dB
Valeur de vibrations mains-bras selon EN 60335-2-69/ incertitude K	<2,5 m/s <sup>2</sup> / 1,5 m/s <sup>2</sup>
Indice de protection	IP X4
Fréquence (aspirateur sans fil/commande à distance)	2402 – 2480 Mhz
Puissance isotrope rayonnée équivalente (PIRE) (aspirateur sans fil/commande à distance)	< 10 dBm
Volume de la cuve	15 l (4 gal.)
Dimensions L x l x h	550 x 320 x 495 mm (21-5/8 x 12-9/16 x 19-1/2")
Poids (sans batteries)	25,79 lbs

[2] Liste des modèles de batterie possibles pour l'utilisation de l'appareil, voir tableau [5]. Pour les batteries récentes ne figurant pas dans la liste, suivez les instructions fournies dans l'application Festool Work ou contactez les collaborateurs SAV de Festool.

## 6 Description des éléments fonctionnels

Les images décrivant les éléments fonctionnels se trouvent sur une page dépliante au début du manuel d'utilisation. Pendant la lecture du manuel, vous pouvez vous référer rapidement à la page en la dépliant et procéder ainsi à des comparaisons.

### 6.1 Aspirateur sans fil

- [1-1] Poignée
- [1-2] Compartiment de batterie
- [1-3] Logement pour tuyau
- [1-4] Fermeture T-Loc pour Systainer
- [1-5] Nettoyage
- [1-6] Filtre principal
- [1-7] Clip de fermeture
- [1-8] Sortie d'évacuation d'air
- [1-9] Cuve de collecte
- [1-10] Frein
- [1-11] Touche de déverrouillage (frein)
- [1-12] Touche Marche/arrêt
- [1-13] Touche MAN
- [1-14] Régulation de la puissance d'aspiration
- [1-15] Témoins d'état (puissance d'aspiration/signaux d'avertissement)
- [1-16] Touche de connexion
- [1-17] Témoin de connexion
- [1-18] Commande à distance CT-F I \*

### 6.2 Commande à distance CT-F I

- [1-19] Touche de connexion
- [1-20] Indicateur LED
- [1-21] Touche MAN (enclenchement manuel)
- [1-22] Support des bandes de fixation
- [1-23] Bande de fixation

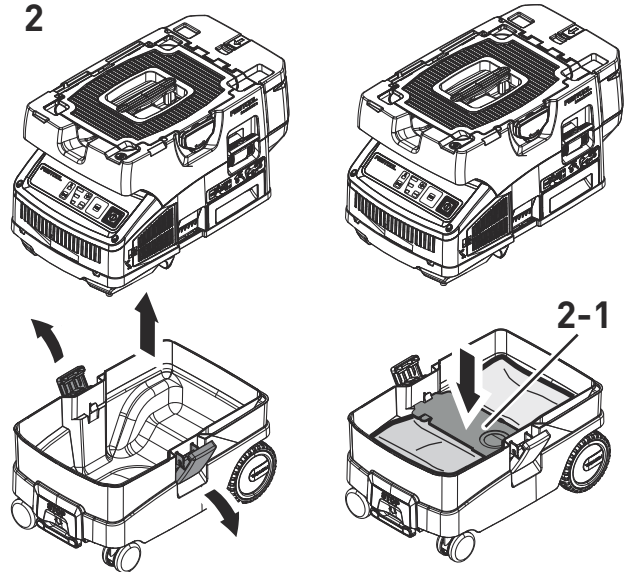
Les illustrations indiquées se trouvent en début de notice d'utilisation.

\* Les accessoires illustrés ou décrits ne font pas tous partie des éléments livrés.

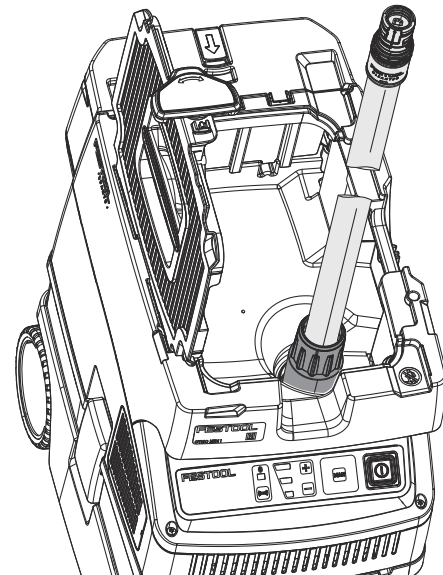
## 7 Préparation

- Installer le sac filtre/sac d'élimination des déchets [2-1].
- Raccorder le tuyau d'aspiration [3].

2



3




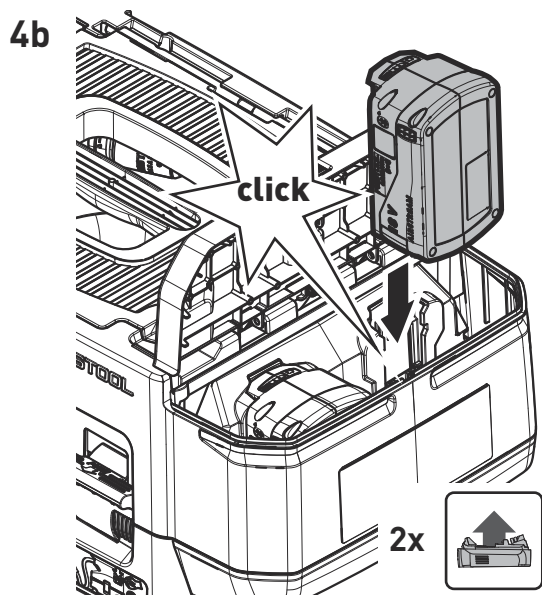
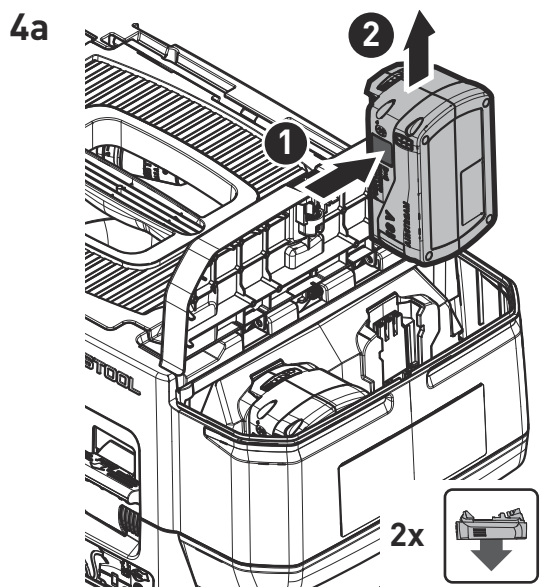
## 8 Batterie

Vérifiez la propreté du logement avant d'insérer la batterie. En présence de saletés dans le logement de batterie, il risque d'y avoir un mauvais contact électrique et les contacts risquent d'être endommagés.

Un mauvais contact électrique peut provoquer la surchauffe et la détérioration de l'outil électroportatif.

[4A] Retirer la batterie.

[4B]  Insérer la batterie - jusqu'à son enclenchement.



**i** L'aspirateur sans fil peut uniquement fonctionner avec 2 batteries.  
 Liste des modèles de batterie possibles pour l'utilisation de l'appareil, voir tableau [5]. Pour les batteries récentes ne figurant pas dans la liste, suivez les instructions fournies dans l'application Festool Work ou contactez les collaborateurs SAV de Festool.

**i** Vous trouverez des informations supplémentaires sur le chargeur et la batterie à indicateur de charge dans les notices d'utilisation de ces deux éléments.

5

- BP 18 Li 4,0 HPC-ASI
- BP 18 Li 4,0 HPC-AS
- BP 18 Li 5,2 ASI
- BP 18 Li 6,2 ASI
- BP 18 Li 5,2 AS
- BP 18 Li 6,2 AS



## 9 Mise en service

### Mode veille

- ▶ Appuyer sur la touche Marche / Arrêt [1-12].

*Les témoins LED d'état verts [1-15] indiquent le passage en mode veille.*

Pour éteindre l'aspirateur sans fil, appuyer à nouveau sur la touche Marche / Arrêt.

### Démarrage / arrêt manuel de l'aspirateur sans fil

L'aspirateur sans fil est en mode veille.

Directement sur l'aspirateur sans fil :

- ▶ Appuyer sur la touche MAN [1-13] pour la mise en marche / à l'arrêt.

Il est également possible d'utiliser une commande à distance CT-F I connectée (voir chapitre 10.2) :

- ▶ Appuyer sur la touche MAN [1-21] de la commande à distance pour la mise en marche / à l'arrêt.

### Démarrage / arrêt automatique de l'aspirateur sans fil

L'aspirateur sans fil est en mode veille.

- ▶ Pour démarrer / arrêter automatiquement l'aspirateur sans fil : mettre en marche / à l'arrêt l'outil électroportatif sans fil relié (voir chapitre 10.1).

## 10 Connexion avec des appareils



### AVERTISSEMENT

#### Risques de blessures en cas de démarrage accidentel de l'aspirateur sans fil

- ▶ Avant toute utilisation de l'aspirateur sans fil, vérifier quelle commande à distance et quel outil électroportatif sans fil qui y sont reliés.
- ▶ Les outils électroportatifs fonctionnant sur batterie doivent toujours être reliés à l'aspirateur sans fil au moyen du tuyau d'aspiration. Après l'utilisation, le tuyau relié à l'aspirateur sans fil doit être débranché.
- ▶ La commande à distance doit uniquement être fixée sur le tuyau d'aspiration.

### 10.1 Connecter un outil électroportatif sans fil

- ▶ En mode veille, appuyer sur la touche de connexion **[1-16]**.

*Le témoin de connexion **[1-17]** clignote lentement en bleu. L'aspirateur sans fil est prêt pour la connexion pendant 60 secondes.*

- ▶ Mettre l'outil électroportatif en marche. *L'aspirateur sans fil démarre.*

L'aspirateur sans fil est connecté jusqu'à l'actionnement de la touche Marche / Arrêt **[1-12]** ou au retrait d'une de ses batteries. L'outil électroportatif doit ensuite être à nouveau jumelé.

- ① Au jumelage d'un nouvel outil électroportatif, la connexion utilisée jusqu'à présent est écrasée.
- ① L'utilisation de cette fonction est uniquement possible avec des outils électroportatifs Festool dotés d'une batterie **Bluetooth®**.

### 10.2 Connecter la commande à distance CT-F I

Pour pouvoir connecter une commande à distance à un aspirateur sans fil, une réinitialisation de la commande à distance est nécessaire (voir Réinitialisation de la commande à distance).

Les commandes à distance qui n'ont encore jamais été connectées peuvent l'être directement.

- ① Une fois la connexion établie entre des commandes à distance et l'aspirateur sans fil, elle reste enregistrée même après l'actionnement de la touche Marche / Arrêt ou le retrait d'une batterie (de l'aspirateur sans fil).
- ① L'aspirateur sans fil peut être connecté simultanément à cinq commandes à distance maximum. L'aspirateur sans fil peut être connecté simultanément à un outil électroportatif fonctionnant sur batterie.
- ① Si l'aspirateur sans fil a été enclenché avec la batterie puis mis à l'arrêt avec la commande à distance, la batterie connectée perd sa connexion temporaire à l'aspirateur sans fil. La batterie peut ensuite être reconnectée.

- ▶ En mode veille, maintenir enfoncée la touche de connexion **[1-16]** de l'aspirateur sans fil pendant 3 secondes.

*Le témoin de connexion **[1-17]** clignote rapidement en bleu. L'aspirateur sans fil est prêt pour la connexion pendant 60 secondes.*

- ▶ Appuyer sur la touche MAN **[1-21]** de la commande à distance.

*La commande à distance est enregistrée durablement dans l'aspirateur sans fil.*

#### Réinitialisation sur la commande à distance

La réinitialisation permet de supprimer la connexion entre une commande à distance et l'aspirateur sans fil.

- ▶ Appuyer sur la touche de connexion **[1-19]** et la touche MAN **[1-21]** pendant 10 secondes.

*L'indicateur LED **[1-20]** s'allume en magenta lorsque la réinitialisation est terminée.*

### 10.3 Connecter un terminal mobile

Connecter l'aspirateur sans fil à un terminal mobile au moyen de l'application Festool Work (par ex. pour une mise à jour logicielle).

- ▶ En mode veille, maintenir enfoncée la touche de connexion **[1-16]** de l'aspirateur sans fil pendant 3 secondes.

*Le témoin de connexion **[1-17]** clignote rapidement en bleu. L'aspirateur sans fil est prêt pour la connexion pendant 60 secondes.*

- ▶ Suivre les instructions fournies dans l'application Festool Work pour autoriser la connexion sécurisée.

## 11 Réglages

### 11.1 Réguler la puissance d'aspiration

- ▶ En mode aspiration, appuyer sur la touche plus ou moins du dispositif de régulation de la puissance d'aspiration [1-14].

Les témoins LED d'état verts [1-15] indiquent le niveau de puissance actuel.

### 11.2 Manchon d'aspiration

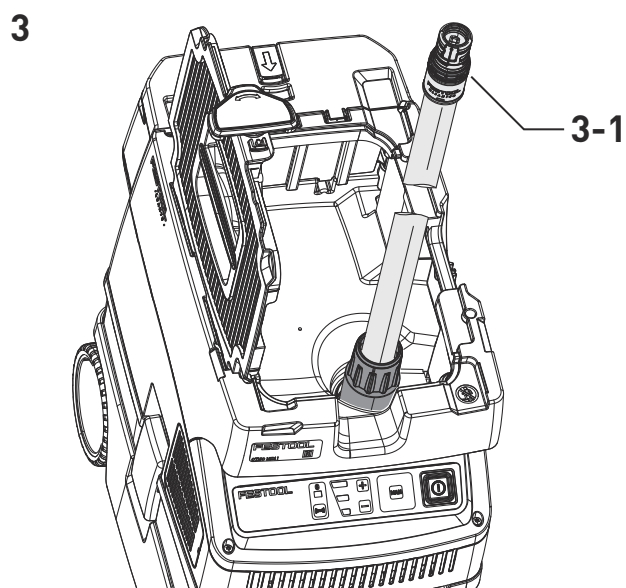
La fonction by-pass du manchon d'aspiration [3-1] empêche un effet ventouse avec les ponceuses et les buses pour sol sur les surfaces lisses.

#### Ouvrir

- ▶ Tourner la bague de réglage pour la mettre à la position « OPEN ».

#### Fermer

- ▶ Tourner la bague de réglage pour la mettre à la position « CLOSE ».



### 11.3 Fusible thermique

Afin d'éviter une surchauffe, le fusible thermique coupe l'aspirateur sans fil avant d'atteindre la température critique. Le témoin LED d'état [1-15] signale les défauts.

- |                                 |                       |
|---------------------------------|-----------------------|
| Le témoin LED s'allume en rouge | Température excessive |
|---------------------------------|-----------------------|
- ▶ Éteindre l'aspirateur sans fil et le laisser refroidir.
  - ▶ Rallumer l'aspirateur sans fil au bout de 10 minutes environ.

## 11.4 SysDoc



### AVERTISSEMENT

#### Risques de blessures

- ▶ Ne pas monter sur la surface de dépose de l'aspirateur sans fil.



### ATTENTION

#### Risques de blessures

- ▶ Pour le transport, veiller à ce que la fermeture T-Loc soit verrouillée.

Il est possible de fixer un Systainer sur la surface de dépose du logement pour tuyau [1-3] au moyen de la fermeture T-Loc [1-4].

### 11.5 Serrage du frein

- ▶ Soulever légèrement l'aspirateur sans fil à l'avant.
- ▶ Appuyer sur le frein [1-10] vers le bas jusqu'à ce qu'il soit enclenché.
- ▶ Pour le desserrer, utiliser la touche de déverrouillage [1-11].

## 12 Mode de travail

### 12.1 Aspiration de substances sèches



### ATTENTION

#### Poussières nocives pour la santé

#### Lésions des voies respiratoires

- ▶ Utiliser toujours un sac filtre.
- ▶ Avant d'utiliser l'aspirateur, vérifier que le filtre principal est en bon état.



En cas d'aspiration de poussières dépassant la valeur limite, utiliser l'aspirateur pour une seule source de poussière (outil électrique ou pneumatique).

**Respecter** les consignes suivantes lors de l'aspiration de poussières générées par des outils électroportatifs en fonctionnement :

Veiller à une aération suffisante. Respecter les dispositions régionales.

**Valeurs limites** : l'air évacué ne doit pas dépasser 50 % du volume d'air frais

**Formule** : volume du local  $V_R$  x taux de renouvellement de l'air  $L_W$

## 12.2 Aspiration de matières mouillées/ liquides



Retirer le sac filtre.

Utiliser le filtre spécial pour liquides.

Lorsque la hauteur de remplissage maximale est atteinte, le fonctionnement de l'aspirateur est interrompu automatiquement.

Le témoin LED [1-15] inférieur s'allume en rouge.

- ▶ Éteindre l'aspirateur [1-12].
- ▶ Ouvrir les clips de fermeture [1-7] et retirer la partie supérieure de l'appareil.
- ▶ Vider la cuve de collecte [1-9].

Après l'aspiration de liquides, laisser sécher le filtre principal.

Sécher l'aspirateur avant l'aspiration de poussières sèches.



### ATTENTION

**Poussières nocives pour la santé**

**Lésions des voies respiratoires**

- ▶ Après l'aspiration de liquides, retirer le filtre pour liquides et le remplacer par le filtre principal pour matières sèches.



### ATTENTION

**Fuite de mousse et de liquides**

- ▶ Éteindre immédiatement l'appareil et le vider.

## 12.3 Sortie d'évacuation d'air



### ATTENTION

**Poussières nocives pour la santé**

**Lésions des voies respiratoires**

- ▶ Ne pas rejeter de poussières.

La sortie d'évacuation d'air offre la possibilité de rejeter l'air aspiré hors du bâtiment au moyen du tuyau d'aspiration.

- ▶ Ouvrir la grille située devant la sortie d'évacuation d'air [1-8].
- ▶ Insérer le tuyau d'aspiration dans la sortie d'évacuation d'air [1-8].

## 12.4 Nettoyage manuel du filtre principal et du sac filtre

- ▶ En mode veille, appuyer sur la touche MAN [1-13].
- ▶ Régler la puissance d'aspiration au maximum [1-14].

- ▶ Obturer le tuyau d'aspiration avec la main tout en abaissant rapidement le levier de nettoyage [1-5] trois fois de suite.

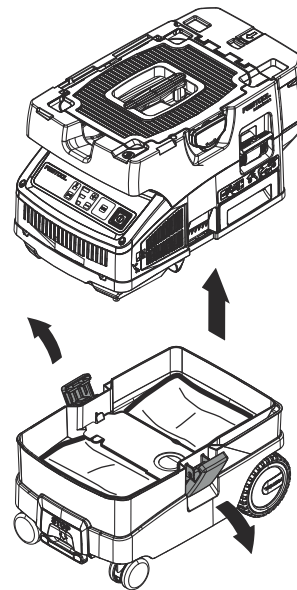
## 12.5 Remplacer le sac filtre en évitant de répandre de la poussière

- ▶ Ouvrir les agrafes de fermeture et retirer la partie supérieure de l'appareil [2].
- ▶ Tirer la languette du sac filtre jusqu'à ce que l'orifice du sac filtre soit complètement fermé.

Le sac filtre est maintenant correctement fermé et peut être retiré.

- ▶ Mettre en place la partie supérieure de l'appareil et fermer les clips de fermeture.

2



## 12.6 Remplacement du filtre principal [6]

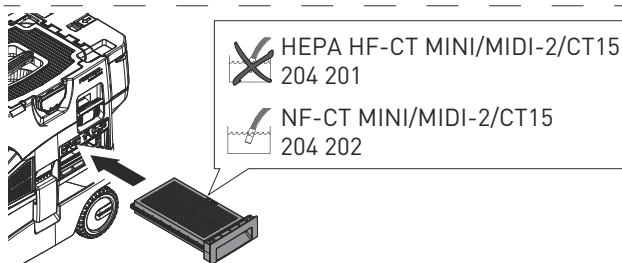
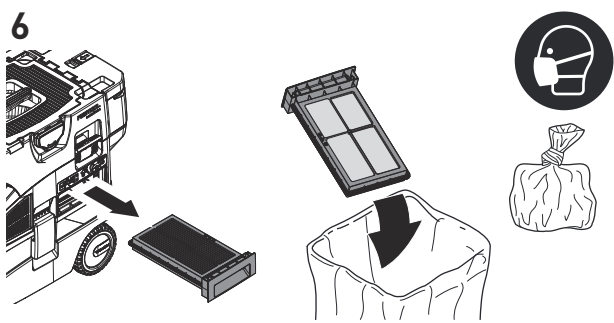
- ▶ Sortir le filtre principal [1-6] usé.
- ▶ Éliminer le filtre principal usagé conformément aux dispositions légales.
- ▶ Insérer le filtre principal neuf.

- ⓘ Les références des accessoires, des filtres et des consommables figurent dans le catalogue Festool ou sur Internet, à l'adresse « [www.festool.fr](http://www.festool.fr) ».

### AVIS

#### Endommagement du moteur

- ▶ Ne jamais utiliser l'aspirateur sans le filtre principal ou avec un filtre principal endommagé. Sinon, le moteur risque d'être endommagé.



## 12.7 Après l'utilisation

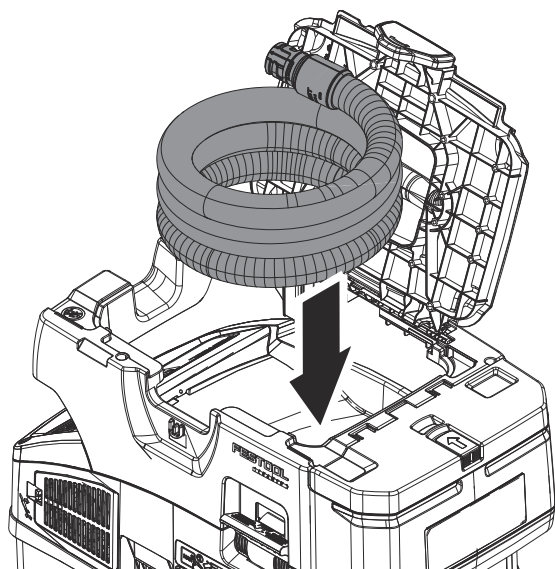
- ▶ Éteindre l'aspirateur sans fil.
- ▶ Retirer la batterie.

**Attention :** conservez la batterie inutilisée à l'écart des objets métalliques (par ex. clous, vis, clés, agrafes, etc.) susceptibles de provoquer un pontage des contacts.

- ▶ Vider la cuve de collecte.
- ▶ Ranger le tuyau d'aspiration dans le logement pour tuyau verrouillable [7].
- ▶ Nettoyer l'intérieur et l'extérieur de l'aspirateur sans fil par aspiration et essuyage.
- ▶ Ranger l'aspirateur sans fil dans un local sec et le protéger de toute utilisation non autorisée.

**i** Le couvercle du logement pour tuyau [1-3] permet également de poser des outils.

7



## 13 Commande à distance

### 13.1 Utilisation conforme de la commande à distance CT-F I

La commande à distance permet de mettre en marche / à l'arrêt manuellement un aspirateur sans fil connecté.

**!** L'utilisateur est responsable des dommages provoqués par une utilisation non conforme.

### 13.2 Montage

Fixer la commande à distance [1-18] avec la bande de fixation correspondante [1-23] sur le tuyau d'aspiration .

**i** Pour connecter la commande à distance et l'aspirateur sans fil, voir chapitre 10.2.

### 13.3 Indicateur LED [1-20]

En plus de l'état de fonctionnement Bluetooth®, l'indicateur LED de la commande à distance indique le niveau de charge de celle-ci :

 **1 clignotement en bleu**

Détection d'un actionnement de la touche de connexion [1-19] ou de la touche MAN [1-21].

 **1 clignotement en magenta**

La réinitialisation de la commande à distance est terminée.

 **Clignotement en rouge**

La batterie de la commande à distance est presque vide et doit être remplacée.

### 13.4 Remplacement de la batterie de la commande à distance [8]

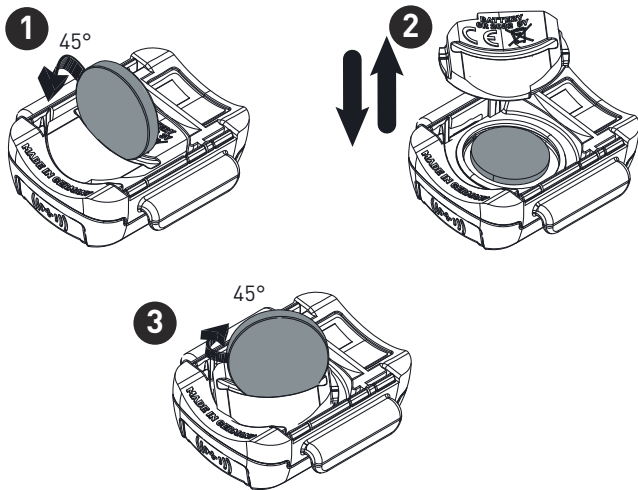
**i** La commande à distance fonctionne avec une batterie de type CR 2032.

**i** En cas d'ouverture du compartiment de batterie, il est recommandé de remplacer le joint (20x1,3 mm).

- ▶ **1** Ouvrir la fermeture du compartiment de batterie.
- ▶ **2** Remplacer la batterie.
- ▶ **3** Fermer le compartiment de batterie.



8



### 13.5 Mise à jour logicielle


Pour déterminer s'il existe une mise à jour logicielle destinée à compléter les fonctionnalités de la commande à distance ou améliorer les fonctions disponibles, il est possible d'établir une connexion Bluetooth® avec l'application Festool Work.

- Appuyer sur la touche de connexion de la commande à distance **[1-19]** jusqu'à ce que l'indicateur LED **[1-20]** clignote en bleu.

*La commande à distance est prête pour la connexion pendant 60 secondes.*

- Suivre les instructions fournies dans l'application Festool Work pour autoriser la connexion sécurisée.

## 14 Signaux d'avertissement

Signal d'avertissement	Présentation du signal d'avertissement	Cause	Mesure à prendre
Visuel	Témoin LED <b>[1-15]</b>	Clignote en vert	Batterie vide Recharger la batterie.
		Clignote en rouge	Batterie incompatible Utiliser une batterie compatible (voir chapitre 5).
			Refroidissement excessif de la batterie. Pour la température d'utilisation, voir la notice d'utilisation de la batterie.
			Batterie défectueuse – Remplacer la batterie. – Après l'avoir laissée refroidir, vérifier avec le chargeur que la batterie fonctionne.
		S'allume en rouge	Surchauffe de l'aspirateur sans fil Voir chapitre 11.3.
			Surchauffe de la batterie Laisser refroidir la batterie pendant env. 10 minutes.
Limitation du niveau d'eau : niveau maximal atteint Voir chapitre 12.2.			
Sonore	Signal	Croissant, en commençant par deux signaux brefs 	Faible niveau de charge de la batterie – Recharger la batterie. – Installer une batterie rechargée.

## 15 Entretien et maintenance



### AVERTISSEMENT

#### Risque de blessures, décharge électrique

- ▶ Avant toutes les opérations de maintenance ou d'entretien, toujours retirer la batterie de l'aspirateur sans fil.
- ▶ Toutes les opérations de maintenance et de réparation nécessitant l'ouverture du boîtier du moteur doivent uniquement être effectuées par un atelier de service après-vente agréé.



### ATTENTION

#### Certains détergents et solvants endommagent les pièces en plastique.

- ▶ Il s'agit entre autres des substances suivantes : essence, acétone, méthyl ethyl ketone (MEK), chlorure de carbonyle, solutions de nettoyage contenant du chlore ou de l'ammoniac, et nettoyeurs domestiques contenant de l'ammoniac.



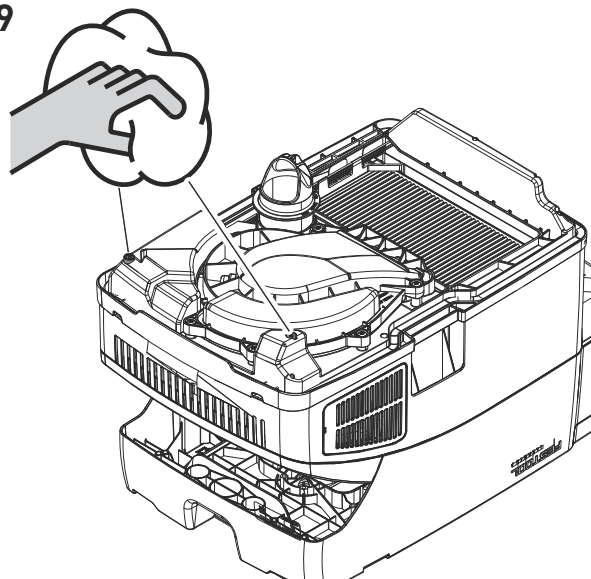
**Service après-vente et réparation** uniquement par le fabricant ou des ateliers homologués. Pour trouver l'adresse la plus proche : [www.festoolusa.com/service](http://www.festoolusa.com/service)



Utiliser uniquement des pièces détachées Festool d'origine ! Réf. sur : [www.festoolusa.com/service](http://www.festoolusa.com/service)

- ▶ Nettoyer régulièrement les capteurs de niveau [9] et vider la cuve de collecte [1-9].

9



#### Respecter les consignes suivantes :

- Au moins une fois par an, contrôle du système d'aspiration des poussières (par ex.

bon état du filtre, étanchéité de l'appareil et fonctionnement des dispositifs de contrôle) par le fabricant ou une personne formée.

- Tout ce qui ne peut pas être nettoyé doit être jeté. Pour cela, utiliser un sacchet imperméable. Veiller à respecter les conditions d'élimination prescrites.
- Veiller à ce que les contacts de branchement sur l'aspirateur sans fil, le chargeur et la batterie restent propres.

Vous trouverez les références des accessoires et des outils dans votre catalogue Festool ou sur Internet à l'adresse [www.festoolusa.com](http://www.festoolusa.com).

## 16 Transport

#### Respecter les consignes suivantes :

- Avant le transport, toujours verrouiller la fermeture T-Loc sur l'aspirateur sans fil.
- Pour le transport, utiliser uniquement la poignée [1-1].
- Pour transporter l'aspirateur sans fil dans des véhicules, l'arrimer conformément aux directives en vigueur afin de l'empêcher de glisser et de basculer.

## 17 Environnement

**Ne jetez pas l'appareil avec les ordures ménagères !** Éliminez l'appareil, les accessoires et les emballages de façon compatible avec l'environnement. Respectez les prescriptions nationales en vigueur.

#### Mise au rebut des batteries



### AVERTISSEMENT

#### Risque d'incendie ou de blessures

- ▶ Ne tentez pas de désassembler la batterie ou d'enlever tout composant faisant saillie des bornes de batterie.
- ▶ Avant la mise au rebut, protégez les bornes exposées à l'aide d'un ruban isolant épais pour prévenir le court-circuitage.

## 18 Remarques générales

### 18.1 Informations sur Bluetooth®

Dès que l'appareil est relié via Bluetooth® à l'application Festool Work et que la connexion sécurisée a été autorisée, l'appareil se connecte automatiquement à l'application Festool Work à partir de ce moment. L'appareil envoie alors régulièrement des informations

d'état (ID, état de fonctionnement, etc.) via Bluetooth®.

La marque verbale Bluetooth® et les logos sont des marques déposées de Bluetooth SIG, Inc. et sont utilisés sous licence par TTS Tooltechnic Systems AG & Co. KG et donc par Festool GmbH.

## **18.2 Informations relatives à la protection des données**

L'outil contient une puce permettant l'enregistrement automatique des données d'outil et de fonctionnement. Les données enregistrées ne contiennent aucune référence directe aux personnes.

Les données peuvent être lues sans contact à l'aide d'appareils spéciaux. Elles sont utilisées par Festool uniquement pour le diagnostic d'erreurs, la gestion des réparations et de la garantie, ainsi que pour l'amélioration de la qualité et/ou le perfectionnement de l'appareil. Toute utilisation des données dépassant ce cadre – sans l'accord exprès du client – est exclue.

## **18.3 USA: Commission fédérale des communications (FCC) Déclaration concernant les interférences**

Rem. : cet appareil a été soumis à des tests qui ont permis de constater sa conformité aux limites applicables aux appareils numériques de la classe B suivant la partie 15 du **règlement de la FCC**. Ces limites sont conçues pour offrir une protection raisonnable contre les interférences nuisibles dans un environnement domestique. Cet appareil génère, utilise et peut émettre de l'énergie de radiofréquence et, s'il n'est pas installé et utilisé conformément à ces instructions, peut provoquer des interférences nuisibles pour les radiocommunications. Cependant, il n'existe aucune garantie que ces interférences ne se produiront pas dans une installation quelconque. Si cet appareil provoque des interférences nuisibles pour la réception radiophonique ou télévisuelle, ce qui peut être déterminé en éteignant l'appareil puis en le rallumant, l'utilisateur est invité à essayer de remédier aux interférences en prenant une ou plusieurs des mesures suivantes :

- Modifier l'orientation de l'antenne de réception ou la changer de place.
- Augmenter la distance entre l'appareil et le récepteur.
- Brancher l'appareil dans la prise d'un circuit différent de celui auquel le récepteur est branché.

- Demander de l'aide au revendeur ou à un technicien radio/TV expérimenté.

Rem. : en cas de changements ou modifications effectuée(s) sans l'approbation expresse du responsable de la conformité, l'utilisateur risque de ne plus être autorisé à se servir de l'appareil.

## **18.4 Canada: Remarques (ISED)**

Cet appareil numérique de classe B est conforme aux normes canadiennes ICES-003 et RSS-210. Son fonctionnement est soumis aux deux conditions suivantes:

- (1) cet appareil ne doit pas causer d'interférence
- (2) cet appareil doit accepter toute interférence, notamment les interférences qui peuvent affecter son fonctionnement.

## **18.5 Canada: Déclaration de conformité CNR**

L'appareil est conforme aux CNR exempts de licence d'Industrie Canada. Son fonctionnement est soumis aux deux conditions suivantes:

- (1) cet appareil ne doit pas provoquer d'interférences, et
- (2) cet appareil doit supporter toutes les interférences, y compris celles susceptibles d'en perturber le fonctionnement. Cet appareil et sa conception satisfont aux exigences de sécurité s'appliquant à l'exposition aux RF suivant CNR-102 5e édition, pour les dispositifs portatifs.

## **18.6 Canada: Informations concernant l'exposition aux fréquences radio (RF)**









La puissance de sortie émise par l'appareil de sans fil est inférieure à la limite d'exposition aux fréquences radio d'Innovation, Sciences et Développement économique Canada (ISDE). Utilisez l'appareil de sans fil de façon à minimiser les contacts humains lors du fonctionnement normal.

La distance conforme entre l'utilisateur et le module Bluetooth® est de 25/64" (10 mm).

## Índice de contenidos

1	Símbolos.....	36
2	Sobre este manual.....	36
3	Indicaciones de seguridad.....	37
4	Uso conforme a lo previsto.....	40
5	Datos técnicos.....	41
6	Descripción del funcionamiento.....	41
7	Preparación.....	42
8	Batería.....	42
9	Puesta en servicio.....	43
10	Conexión con herramientas.....	43
11	Ajustes.....	44
12	Trabajo.....	45
13	Pulsador de retirada.....	47
14	Señales de aviso.....	48
15	Reparación y mantenimiento.....	48
16	Transporte.....	49
17	Medio ambiente.....	49
18	Observaciones generales.....	49



## 1 Símbolos

	Aviso de peligro general
	Peligro de electrocución
	¡Leer el manual de instrucciones y las indicaciones de seguridad!
	¡Leer el manual de instrucciones y las indicaciones de seguridad!
	Utilizar protección respiratoria.
	<b>Advertencia.</b> La herramienta puede contener polvo perjudicial para la salud.
	Prohibido subir
	Insertar la batería

## 2 Sobre este manual

### Guarde estas instrucciones

Es importante que usted lea y entienda este manual. La información que contiene se relaciona con la protección de **su seguridad y la**

	PELIGRO	Descripción de peligro inminente y fracaso para evitar riesgos que podran causar la muerte.
	ADVERTENCIA	Descripción de peligro y posibles lesiones resultantes o la muerte.



Soltar la batería



Consejo, indicación



Guía de procedimiento



No depositar en la basura doméstica.



La herramienta cuenta con un chip para el almacenamiento de datos. Ver apartado [18.2](#)

W

vatio

h

hora

min

minutos

s

segundos

kg

kilogramos

Pa

pascal

dB

decibelios

V

voltios

A

amperios

Hz

hercios

CA

corriente alterna

— CC

corriente continua

$n_0$

velocidad sin carga



Construcción de clase II

rpm

revoluciones por minuto

rpm

"

pulgadas




lbs.

libras



diámetro

**prevención de problemas.** Los símbolos que siguen se utilizan para ayudarlo a reconocer esta información.

	<b>PRECAUCIÓN</b>	Descripción de peligro y posibles lesiones resultantes.
	<b>AVISO</b>	Declaración incluyendo el tipo de riesgo y posible resultados.
	<b>CONSEJO</b>	Indica informaciones, notas, o consejos para mejorar su éxito con la herramienta.

### 3 Indicaciones de seguridad



## INDICACIONES DE SEGURIDAD IMPORTANTES

Al utilizar un aparato eléctrico, deben seguirse siempre las precauciones básicas, incluido lo siguiente:

**LEER TODAS LAS INSTRUCCIONES**

**ANTES DE UTILIZAR ESTE SISTEMA MÓVIL DE ASPIRACIÓN:**

 **¡ADVERTENCIA** - Para reducir el riesgo de incendio, descarga eléctrica o lesiones:

- Desconectar la batería antes de realizar tareas de limpieza o mantenimiento.
- Utilizar solo en exteriores.
- No permitir su uso como juguete. Es necesario prestar mucha atención cuando vaya a ser utilizado por niños o cerca de ellos.
- Utilizarlo solo del modo descrito en este manual. Utilizar solamente los accesorios recomendados por el fabricante.
- Si el sistema móvil de aspiración no funciona de modo normal, se ha caído, ha sufrido daños, se ha dejado expuesto a la intemperie o se ha caído al agua, debe devolverse a un centro de soporte técnico.
- No manipular el sistema móvil de aspiración con las manos húmedas.
- No introducir ningún objeto en sus aberturas. No utilizarlo con sus aberturas bloqueadas; mantenerlo libre de polvo, pelusa, pelo y cualquier otra cosa que pueda reducir el flujo de aire.
- Mantener el pelo, las prendas sueltas, los dedos y otras partes del cuerpo alejadas de las aberturas y de las piezas móviles.
- Extremar las precauciones al realizar trabajos de limpieza en escaleras.
- No utilizarlo para aspirar líquidos inflamables o combustibles (como gasolina, por ejemplo) ni utilizarlo en zonas donde estos puedan estar presentes.
- No recoger nada que esté ardiendo o humeando, como cigarrillos, cerillas o cenizas calientes, virutas y partículas calientes o chispas.



# INDICACIONES DE SEGURIDAD IMPORTANTES

- No usar sin un saco para polvo o filtros instalados.

## GUARDE ESTAS INSTRUCCIONES

### Avisos adicionales de indicaciones de seguridad

- Esta herramienta no debe ser utilizada por personas (incluidos los niños) que por razones físicas, sensoriales o psíquicas, inexperiencia o desconocimiento no estén capacitadas para su uso. Debe vigilarse a **los niños** para evitar que jueguen con la herramienta.
- Dado que no se puede descartar que esta herramienta genere una carga estática, no debe ser utilizada por personas que pudieran sufrir reacciones a descargas eléctricas (p. ej., **personas con marcapasos**).
- **Procure contar con un apoyo seguro.** Los efectos de un calambrazo momentáneo debido a, por ejemplo, una descarga antiestática, pueden provocar accidentes.

- **ADVERTENCIA!** Los usuarios deben ser instruidos de forma adecuada respecto al uso de esta máquina.

- **ADVERTENCIA!** La herramienta puede contener polvo perjudicial para la salud. El mantenimiento, vaciado y cambio de filtro debe llevarlos a cabo únicamente personal cualificado autorizado con el equipamiento de protección adecuado.

- Debe utilizarse solo con el sistema de filtrado montado.

- **Riesgo de explosión e incendio. No aspirar:**

- chispas, piezas incandescentes ni polvo caliente;
- materiales inflamables o explosivos (p. ej. magnesio, aluminio, gasolina, diluyentes);
- líquidos agresivos (p. ej. ácidos, lejías, disolventes);
- sustancias químicas reactivas que generen calor, ácidos/bases, gases, etc. (p. ej. materiales de 2 componentes reactivos, aluminio y agua).

- Deben respetarse las normativas de seguridad nacionales, así como las indicaciones del fabricante del material.

-  **¡ADVERTENCIA!**

No aspire ascuas ni otras fuentes de ignición. No utilice en combinación con máquinas que puedan desprender chispas.

De acuerdo con la NFPA 484, no recoja materiales incompatibles que puedan reaccionar con las partículas de metal y no utilice el extractor de polvo para recoger materiales para los cuales no esté diseñado. De lo contrario, el contenido del extractor de polvo podría incendiarse.

- **¡ADVERTENCIA!** Si sale espuma o líquido, desconectar la herramienta inmediatamente.
- **¡ATENCIÓN!** Limpiar regularmente la instalación de limitación de nivel de agua y comprobar si hay indicios de daños.
- Utilizar solo con el equipamiento de protección adecuado.
- Trabajar solo en un entorno seco, de acuerdo con las instrucciones y después de haber comprobado visualmente que el aparato está intacto.
- No elevar ni transportar la herramienta con el gancho de una grúa o con un sistema de elevación.
- Transporte la herramienta agarrándola únicamente por la empuñadura prevista para ello.
- Utilice solo el tubo flexible de aspiración original de Festool.
- Comprobar periódicamente la interfaz de la batería y el filtro para evitar riesgos. En caso de que la interfaz de la batería presente daños, acudir exclusivamente a un taller autorizado para que la sustituya.
- **Tenga en cuenta el entorno de trabajo y preste atención a su propia seguridad y a la de terceros al transportar el dispositivo o al trabajar con él.**

De este modo, evitará el riesgo de tropiezos, p. ej., con el tubo flexible de aspiración o la conducción de red.

- **Mantenga las láminas de embalaje fuera del alcance de los niños.**  
Existe peligro de asfixia.
- **ATENCIÓN**  
Esta herramienta solo es apropiada para el uso en interiores.  
Esta herramienta solo debe guardarse en interiores.
- **Tenga en cuenta el manual de instrucciones del cargador y de la batería.**
- **No utilizar fuentes de alimentación o baterías de otro fabricante con esta herramienta a batería. No utilizar cargadores de otro fabricante para cargar la batería.** El uso de accesorios no previstos por el fabricante puede provocar una descarga eléctrica o accidentes graves.
- **Mantener las baterías no utilizadas lejos de objetos metálicos (p. ej., clavos, tornillos, llaves, grapas, etc.) que puedan provocar el puenteo de los contactos.** Un cortocircuito entre los contactos de la batería puede causar quemaduras o fuego.
- **Utilice la batería únicamente con su herramienta Festool.** Solo de esta manera la batería queda protegida contra sobrecargas peligrosas. El uso de otra herramienta puede provocar lesiones y riesgo de incendio.

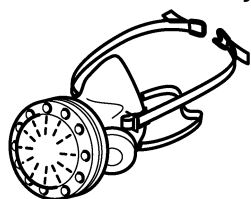
- **No utilizar baterías dañadas o modificadas.** Las baterías dañadas o modificadas pueden provocar incendios, explosiones o lesiones.
- **Desconectar la batería de la herramienta antes de cambiar los accesorios/piezas de desgaste o guardar la herramienta.** Estas medidas de seguridad preventivas reducen el riesgo de puesta en marcha accidental de la herramienta.

## Riesgos para la salud producidos por el polvo

### **ADVERTENCIA!**

algunos polvos creados por lijadoras motorizadas, aserraderos, trituradores, perforadoras y otras actividades de construcción contienen sustancias químicas que se sabe (en el Estado de California) causan cáncer, defectos de nacimiento u otros daños al sistema reproductivo. Algunos ejemplos de estas sustancias químicas son:

- Plomo de las pinturas con base de plomo
- Sílice cristalino de los ladrillos y cemento y otros productos de mampostería, y
- Arsénico y cromo de madera tratada con sustancias químicas



El riesgo de exposición a estas sustancias varía, dependiendo de cuantas veces se hace este tipo de trabajo. Para reducir el contacto con estas sustancias químicas: trabaje en un área con buena ventilación y trabaje con equipo de seguridad aprobado, como mascarillas para el polvo diseñadas específicamente para filtrar partículas microscópicas.



#### **ADVERTENCIA**

**PARA REDUCIR EL RIESGO DE LESIÓN, EL USUARIO DEBE LEER EL MANUAL DE INSTRUCCIÓN.**

## **4 Uso conforme a lo previsto**

### **CTC MIDI I**

Sistema móvil de aspiración a batería apto

- para aspirar polvo, suciedad, arena y virutas usando el elemento de filtro HEPA correspondiente,
- para aspirar agua,
- para cargas elevadas durante un uso comercial de acuerdo con IEC/EN 60335-2-69,

- para uso en interiores,
- para uso con baterías BP de Festool de la misma categoría de voltaje que hayan sido aprobadas para este sistema móvil de aspiración a batería.

Este aspirador se ha comprobado según OSHA 1926.1153. El filtro HEPA se ha comprobado y tiene la certificación conforme a IEST RP-CC-001 para filtrar y aspirar partículas de aire de hasta 0,3 micras con una eficiencia mínima del 99,97 % y sin fugas por derivación.



El usuario responde de cualquier uso indebido.



## 5 Datos técnicos

Sistema móvil de aspiración a batería	
Voltaje del motor	36 V (2x 18 V) $\text{---}$
Baterías compatibles	Serie BP 18 <sup>[3]</sup>
Caudal de aire (volumen) máx., aspirador/turbina	108 m <sup>3</sup> /h / 202 m <sup>3</sup> /h (3814 ft <sup>3</sup> /h / 7134 ft <sup>3</sup> /h)
Depresión máx., turbina	190 hPa
Superficie del filtro	3898 cm <sup>2</sup> (604,2 in <sup>2</sup> )
Manguera de aspiración	D 27/32 x 3,5 m-AS/CTR
Nivel de intensidad sonora según la norma EN 60335-2-69/incertidumbre K	67 dB(A)/3 dB
Nivel de vibración mano-brazo según EN 60335-2-69/incertidumbre K	<2,5 m/s <sup>2</sup> / 1,5 m/s <sup>2</sup>
Tipo de protección	IP X4
Frecuencia (sistema móvil de aspiración a batería/mando a distancia)	2402 – 2480 Mhz
Potencia isotrópica radiada equivalente (PIRE) (sistema móvil de aspiración a batería/mando a distancia)	<10 dBm
Capacidad del depósito	15 l (4 gal)
Dimensiones (L x An x Al)	550 x 320 x 495 mm (21-5/8 x 12-9/16 x 19-1/2")
Peso (sin baterías)	25,79 lbs

## 6 Descripción del funcionamiento

Las imágenes de la descripción del funcionamiento se encuentran en una página desplegable al principio del manual de instrucciones. Al leer el manual se puede desplegar la página para comparar y consultar las imágenes.

### 6.1 Sistema móvil de aspiración a batería

- |  |  |
|--|--|
| <b>[1-1]</b> Empuñadura                  | <b>[1-6]</b> Filtro principal  |
| <b>[1-2]</b> Caja de batería             | <b>[1-7]</b> Abrazaderas de cierre   |
| <b>[1-3]</b> Compartimento para manguera | <b>[1-8]</b> Salida del aire de escape                                     |
| <b>[1-4]</b> Cierre T-Loc para Systainer | <b>[1-9]</b> Depósito para suciedad  |
| <b>[1-5]</b> Limpieza                    | <b>[1-10]</b> Freno  |
|  | <b>[1-11]</b> Botón de liberación (freno)                                  |
|  | <b>[1-12]</b> Tecla de conexión/desconexión                                |
|  | <b>[1-13]</b> Tecla MAN  |
|  | <b>[1-14]</b> Regulación de la capacidad de aspiración                     |
|  | <b>[1-15]</b> Pantalla de estado (potencia de aspiración/señales de aviso) |
|  | <b>[1-16]</b> Tecla de conexión  |

[3] Para ver una lista de las posibles variantes de batería que se pueden usar en el dispositivo, consultar tabla **[5]**. Respecto a las baterías más nuevas que no se encuentren en la lista, seguir las instrucciones de la app Festool Work o consultar al equipo del servicio de atención al cliente Festool.

[1-17] Pantalla de conexión

[1-18] Mando a distancia CT-F I \*

## 6.2 Pulsador de retirada CT-F I

[1-19] Tecla de conexión

[1-20] Indicador LED

[1-21] Tecla MAN (conexión manual)

[1-22] Alojamiento para cintas de fijación

[1-23] Cinta de fijación

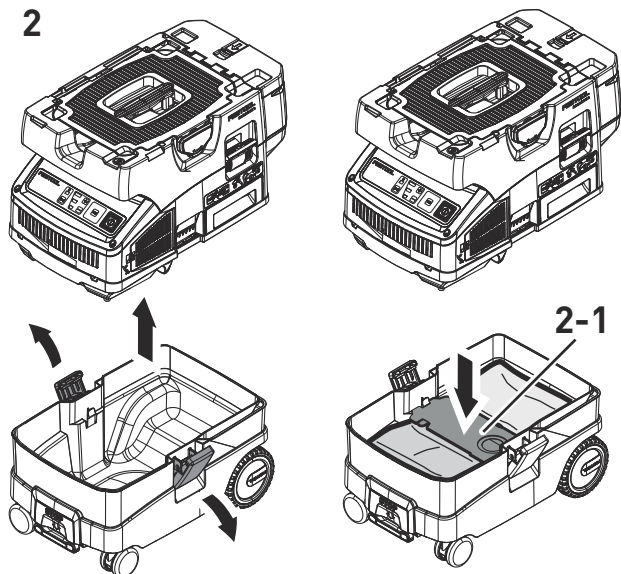
Las figuras indicadas se encuentran al principio del manual de instrucciones.

\*Los accesorios representados o descritos no forman parte íntegra de la dotación de suministro.

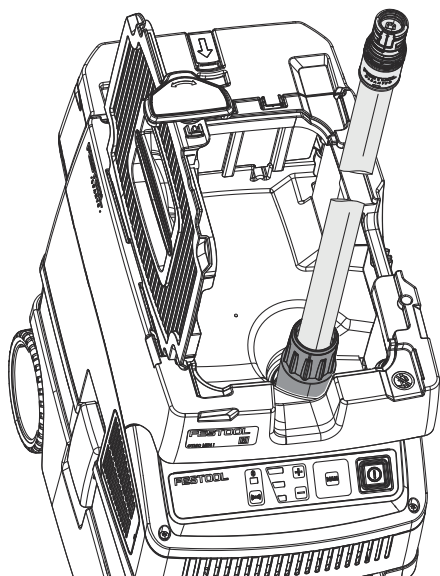
## 7 Preparación

- ▶ Colocar la bolsa filtrante/bolsa de evacuación [2-1].
- ▶ Conectar el tubo flexible de aspiración [3].

2



3




## 8 Batería

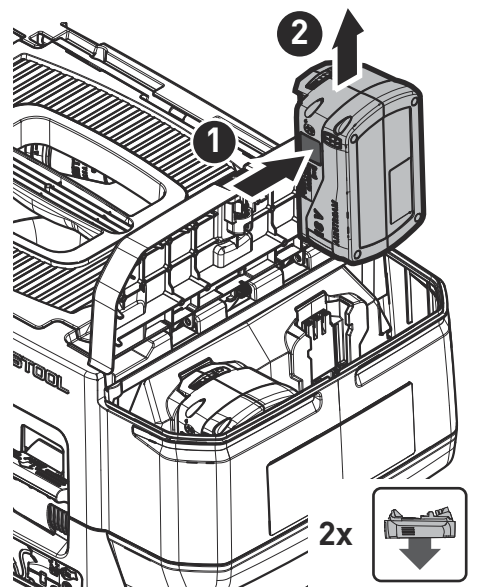
Antes de colocar la batería, comprobar que la conexión de la batería esté limpia. La suciedad en la conexión de la batería puede impedir el contacto correcto y dañar los contactos.

El contacto defectuoso puede ocasionar el sobrecalentamiento y daños en la herramienta.

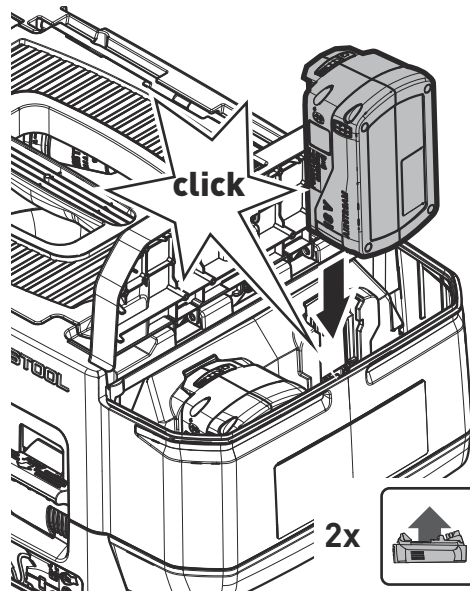
[4A] Extraer la batería.

[4B]  Colocar la batería, hasta que encaje.

4a



4b

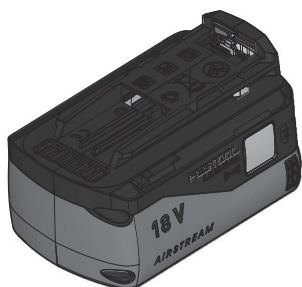


- i** El sistema móvil de aspiración a batería solo puede utilizarse con 2 baterías. Consultar la tabla [5] para ver la lista de posibles variantes de baterías para el funcionamiento de la herramienta. En caso de baterías nuevas que no se encuentren en la lista, deben seguirse las instrucciones de la app Festool Work o contactar con el Servicio de Atención al Cliente de Festool.

- ❶ Hallará más información sobre el cargador y la batería con indicación de la capacidad en el manual de instrucciones del cargador y de la batería.

5

BP 18 Li 4,0 HPC-ASI  
 BP 18 Li 4,0 HPC-AS  
 BP 18 Li 5,2 ASI  
 BP 18 Li 6,2 ASI  
 BP 18 Li 5,2 AS  
 BP 18 Li 6,2 AS



## 9 Puesta en servicio

### Modo de espera

- Pulsar la tecla de encendido/apagado **[1-12]**.

Los LED verdes del indicador de estado **[1-15]** indican el modo de espera.

Si se vuelve a pulsar la tecla de encendido/apagado, se desconecta el sistema móvil de aspiración a batería.

### Poner en marcha/detener el sistema móvil de aspiración a batería de forma manual

El sistema móvil de aspiración a batería está en el modo de espera.

Directamente en el sistema móvil de aspiración a batería:

- Pulsar la tecla MAN **[1-13]** para ponerlo en marcha o detenerlo.

También se puede hacer con el pulsador de retirada CT-F I conectado (véase el capítulo **10.2**):

- Pulsar la tecla MAN **[1-21]** del pulsador de retirada para ponerlo en marcha o detenerlo.

### Poner en marcha/detener el sistema móvil de aspiración a batería de forma automática

El sistema móvil de aspiración a batería está en el modo de espera.

- Para poner en marcha/detener automáticamente el sistema móvil de aspiración: conectar/desconectar una herramienta eléctrica a batería conectada (véase el capítulo **10.1**).

## 10 Conexión con herramientas



### ADVERTENCIA

#### Peligro de lesiones debido a la puesta en marcha de un sistema móvil de aspiración a batería desatendido

- Antes de operar con el sistema móvil de aspiración a batería, se debe comprobar a qué pulsador de retirada y a qué herramienta eléctrica a batería está conectado.
- Una herramienta eléctrica a batería siempre debe conectarse al sistema móvil de aspiración a batería mediante el tubo flexible de aspiración. Al terminar el trabajo, se debe desconectar del sistema móvil de aspiración a batería.
- El pulsador de retirada solo puede fijarse al tubo flexible de aspiración.

### 10.1 Conectar la herramienta eléctrica a batería

- Pulsar la tecla de conexión **[1-16]** en el modo de espera.

El indicador de conexión **[1-17]** parpadea lentamente en azul. El sistema móvil de aspiración a batería está listo para conectarse durante 60 segundos.

- Encender la herramienta eléctrica.

El sistema móvil de aspiración a batería se pone en marcha.

El sistema móvil de aspiración a batería permanece conectado hasta pulsar la tecla de encendido/apagado **[1-12]** o retirar una batería (en el sistema móvil de aspiración a batería). Después, la herramienta eléctrica se debe volver a acoplar.

- ❶ Con la conexión de una nueva herramienta eléctrica se sobrescribe la conexión actual.

- ❶ Esta función solo es posible para las herramientas eléctricas de Festool con una batería **Bluetooth®**.

### 10.2 Conexión del pulsador de retirada CT-F I

Para poder conectar un pulsador de retirada con un sistema móvil de aspiración a batería, debe reiniciarse el pulsador de retirada (véase Reiniciar el pulsador de retirada).

Hasta ahora, los pulsadores de retirada no conectados podían conectarse directamente.

**i** La conexión establecida entre los pulsadores de retirada y un sistema móvil de aspiración a batería se mantiene incluso después de pulsar la tecla de encendido/apagado o de retirar una batería (en el sistema móvil de aspiración a batería).

**i** El sistema móvil de aspiración a batería se puede conectar con un máximo de cinco pulsadores de retirada al mismo tiempo. El sistema móvil de aspiración a batería solo se puede conectar con una única herramienta eléctrica a batería en cada uso.

**i** Cuando el sistema móvil de aspiración a batería se conecta primero con la batería y luego se desconecta con el pulsador de retirada, la batería conectada pierde su conexión temporal con el sistema móvil de aspiración a batería. La batería puede volver a conectarse posteriormente.

- ▶ En el modo de espera, mantener pulsada la tecla de conexión **[1-16]** del sistema móvil de aspiración a batería durante 3 segundos.

*El indicador de conexión **[1-17]** parpadea rápidamente en azul. El sistema móvil de aspiración a batería está listo para conectarse durante 60 segundos.*

- ▶ Pulsar la tecla MAN **[1-21]** del pulsador de retirada.

*El pulsador de retirada queda guardado de forma permanente en el sistema móvil de aspiración a batería.*

### Reiniciar el pulsador de retirada

Al reiniciarlo, se borra la conexión de un pulsador de retirada con el sistema móvil de aspiración a batería.

- ▶ Mantener pulsadas la tecla de conexión **[1-19]** y la tecla MAN **[1-21]** durante 10 segundos.

*El indicador LED **[1-20]** se ilumina en color magenta cuando ha concluido el reinicio.*

### 10.3 Conectar el terminal móvil

Con la app Festool Work, conectar el sistema móvil de aspiración a batería con un terminal móvil (p. ej., para una actualización de software).

- ▶ En el modo de espera, mantener pulsada la tecla de conexión **[1-16]** del sistema móvil de aspiración a batería durante 3 segundos.

*El indicador de conexión **[1-17]** parpadea rápidamente en azul. El sistema móvil de aspira-*

*ción a batería está listo para conectarse durante 60 segundos.*

- ▶ Siga las instrucciones de la app Festool Work para autorizar la conexión segura.

## 11 Ajustes

### 11.1 Regulación de la capacidad de aspiración

- ▶ Pulsar las teclas Más o Menos de la regulación de la capacidad de aspiración **[1-14]** durante la aspiración.

*Los LED verdes del indicador de estado **[1-15]** muestran la categoría de potencia actual.*

### 11.2 Manguito de aspiración

La función de bypass del manguito de aspiración **[3-1]** impide la aspiración de las lijadoras y las boquillas para suelos en superficies lisas.

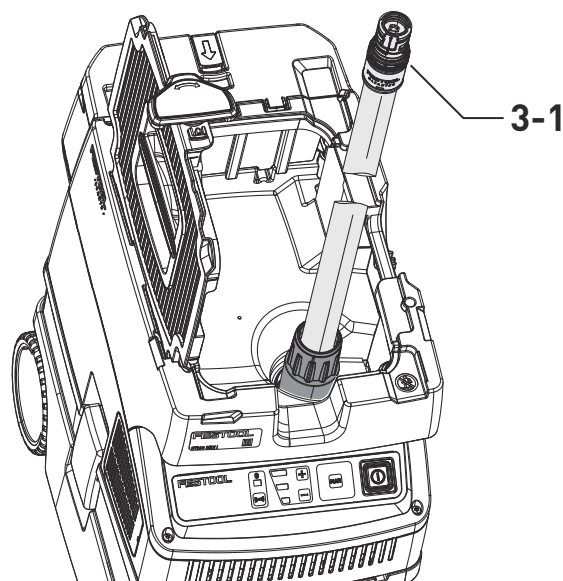
#### Abrir

- ▶ Girar el anillo de ajuste para situarlo en la posición "OPEN".

#### Cerrar

- ▶ Girar el anillo de ajuste para situarlo en la posición "CLOSE".

3



### 11.3 Protector contra sobretemperatura

Para proteger el sistema móvil de aspiración a batería frente a un sobrecalentamiento, el protector contra sobretemperatura lo desconecta antes de alcanzar la temperatura crítica. El LED del indicador de estado **[1-15]** muestra una avería.

El LED se ilumina en rojo Sobretemperatura

- ▶ Desconectar el sistema móvil de aspiración a batería y dejar que se enfríe.

- ▶ Volver a conectar el sistema móvil de aspiración a batería después de unos 10 minutos.

## 11.4 SysDoc



### ADVERTENCIA

#### Peligro de lesiones

- ▶ No utilizar la superficie para depositar objetos del sistema móvil de aspiración a batería como superficie de apoyo.



### PRECAUCIÓN

#### Peligro de lesiones

- ▶ Durante el transporte, procurar que el cierre T-Loc esté cerrado.

Se puede fijar un Systainer en la superficie para depositar objetos del compartimento para manguera [1-3] con el cierre T-Loc [1-4].

## 11.5 Bloqueo del freno

- ▶ Levantar el sistema móvil de aspiración a batería por la parte delantera.
- ▶ Empujar el freno [1-10] hacia abajo hasta fijarlo.
- ▶ Para aflojarlo, pulsar el botón de desbloqueo [1-11].

## 12 Trabajo

### 12.1 Aspiración de sustancias secas



### PRECAUCIÓN

#### Polvo perjudicial para la salud

#### Daños en las vías respiratorias

- ▶ Utilizar siempre una bolsa filtrante.
- ▶ Antes de aspirar, comprobar que el filtro principal está intacto.



Cuando se aspiren polvos que sobrepasen los valores de concentración máxima, solo se debe aspirar una única fuente de polvo (herramienta eléctrica o neumática).

Al aspirar el polvo que se desprende de las herramientas eléctricas en funcionamiento **se debe:**

garantizar una ventilación suficiente respetar las disposiciones regionales.

**Valores límite:** Aire de salida máx. 50 % del caudal de aire fresco

**Fórmula:** volumen ambiental  $V_A$  x nivel de renovación del aire  $R_A$

### 12.2 Aspiración de materiales húmedos/líquidos



Retirar la bolsa filtrante.

Utilizar filtros húmedos especiales.

Cuando se alcanza el nivel de llenado máximo, la aspiración se interrumpe automáticamente.

El LED inferior [1-15] se ilumina en rojo.

- ▶ Desconectar el sistema móvil de aspiración [1-12].
- ▶ Abrir los enganches de sujeción y retirar la parte superior de la herramienta [1-7].
- ▶ Vaciar el depósito para suciedad [1-9].

Después de aspirar en mojado, dejar secar el filtro principal.

Secar el sistema móvil de aspiración antes de aspirar el polvo seco.



### PRECAUCIÓN

#### Polvo perjudicial para la salud

#### Daños en las vías respiratorias

- ▶ Después de aspirar en mojado, retirar el filtro húmedo y sustituirlo por el filtro principal para sustancias secas.



### PRECAUCIÓN

#### Salida de espuma o líquidos

- ▶ Desconectar inmediatamente la herramienta y vaciarla.

### 12.3 Salida del escape



### PRECAUCIÓN

#### Polvo perjudicial para la salud

#### Daños en las vías respiratorias

- ▶ ¡No quitar el polvo soplando!

La salida del escape ofrece la posibilidad de derivar el aire de salida por medio de un tubo flexible de aspiración hacia el exterior del edificio.

- ▶ Abrir la rejilla delante de la salida del escape [1-8].
- ▶ Insertar la manguera de aspiración en la salida del escape [1-8].

### 12.4 Limpieza manual del filtro principal y de la bolsa filtrante

- ▶ Pulsar la tecla MAN [1-13] en el modo de espera.
- ▶ Poner la capacidad de aspiración [1-14] al máximo.
- ▶ Cerrar a mano el tubo flexible de aspiración y al mismo tiempo presionar brevemente

hacia abajo la palanca de limpieza [1-5] tres veces.

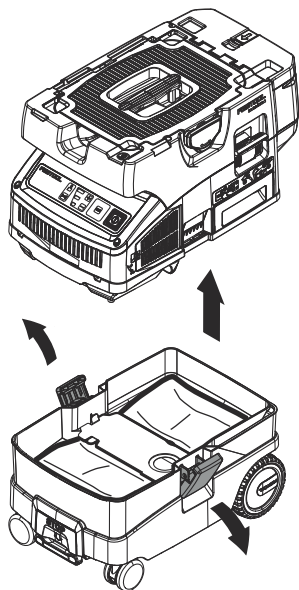
## 12.5 Cambio de la bolsa filtrante sin polvo

- ▶ Abra los enganches de sujeción y retire la parte superior del aparato [2].
- ▶ Tirar de la lengüeta en la bolsa filtrante hasta que la apertura de la bolsa esté totalmente cerrada.

La bolsa filtrante ahora está cerrada con seguridad y se puede retirar.

- ▶ Colocar la parte superior de la herramienta y cerrar los enganches de sujeción.

2



## 12.6 Cambio del filtro principal [6]

- ▶ Retirar el filtro principal [1-6] usado.
- ▶ Desechar el filtro principal usado teniendo en cuenta las leyes aplicables.
- ▶ Introducir el filtro principal nuevo.

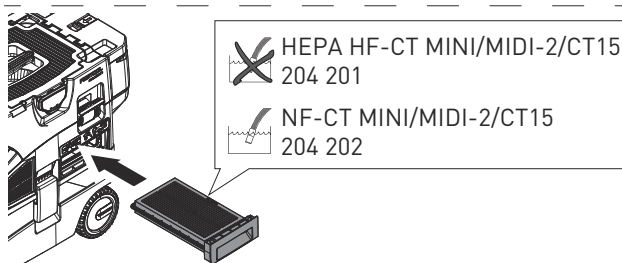
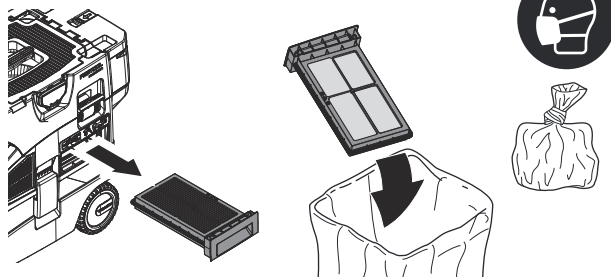
**i** Los números de pedido de los accesorios, filtros y material de consumo figuran en el catálogo Festool o en la dirección de internet [www.festool.com](http://www.festool.com).

### AVISO

#### Daños en el motor

- ▶ El motor puede resultar dañado si se aspira sin tener un filtro principal montado o si este está dañado.

6



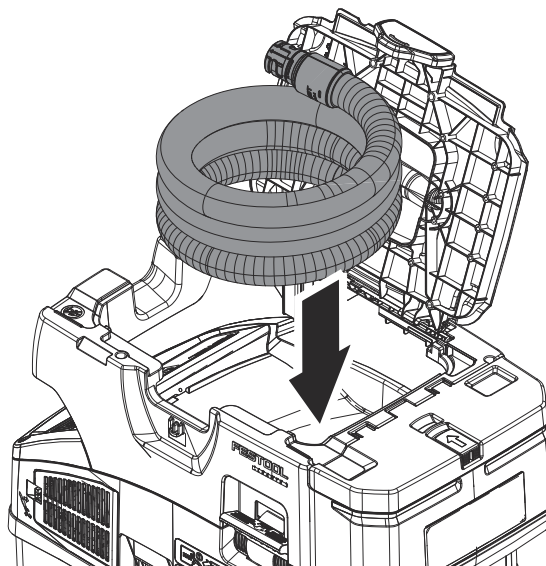
## 12.7 Al finalizar el trabajo

- ▶ Desconectar el sistema móvil de aspiración a batería.
- ▶ Retirar la batería.
 

**Atención:** Mantener las baterías no utilizadas lejos de objetos metálicos (p. ej., clavos, tornillos, llaves, grapas, etc.) que puedan provocar el puenteo de los contactos.
- ▶ Vaciar el depósito para suciedad.
- ▶ Tender el tubo flexible de aspiración en el compartimento para tubos flexibles que se puede cerrar [7].
- ▶ Limpiar el sistema móvil de aspiración a batería aspirándolo y pasando un paño por dentro y por fuera.
- ▶ Guardar el sistema móvil de aspiración a batería en un lugar seco y protegido contra un uso no autorizado.

**i** La tapa del compartimento para tubos flexibles [1-3] también sirve para depositar herramientas.


7



## 13 Pulsador de retirada


### 13.1 Uso conforme a lo previsto del pulsador de retirada CT-F I

El pulsador de retirada puede poner en marcha/detener de forma manual un sistema móvil de aspiración a batería al que esté conectado.

 El usuario responde de cualquier uso indebido.

### 13.2 Montaje

Colocar el pulsador de retirada **[1-18]** con la cinta de fijación correspondiente **[1-23]** en el tubo flexible de aspiración.

 Conectar el pulsador de retirada y el sistema móvil de aspiración a batería; véase el capítulo **10.2**.

### 13.3 Indicador LED [1-20]

El indicador LED del pulsador de retirada indica, además de la función Bluetooth®, el estado de carga del pulsador:

#### **1 parpadeo azul**

Pulsación de la tecla de conexión **[1-19]** o de la tecla MAN **[1-21]** registrada.


#### **1 parpadeo magenta**


Se ha reiniciado correctamente el pulsador de retirada.

#### **parpadeo rojo**

La batería del pulsador de retirada está casi agotada y debe cambiarse.

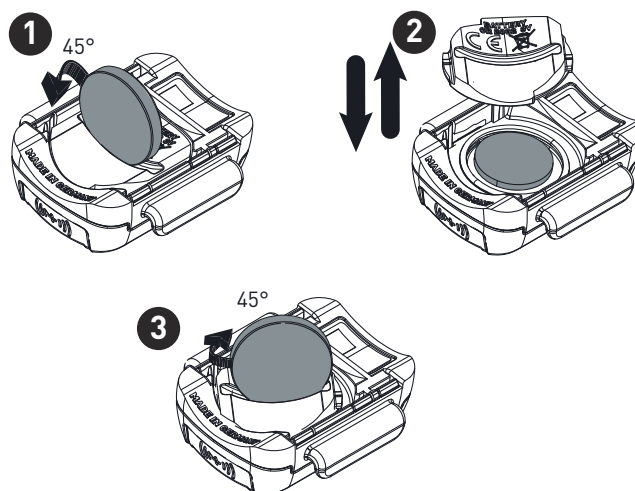
### 13.4 Cambiar la pila del pulsador de retirada [8]

 El pulsador de retirada funciona con una pila de tipo CR 2032.

 Se recomienda cambiar la junta (20 x 1,3 mm) al abrir el compartimento para pilas.

- ▶ **1** Abrir el cierre del compartimento para pilas.
- ▶ **2** Cambiar la pila.
- ▶ **3** Cerrar el compartimento para pilas.

8



### 13.5 Actualización de software


Para comprobar si existe alguna actualización de software que amplíe la funcionalidad del pulsador de retirada, o que mejore las funciones existentes, es posible conectarlo por Bluetooth® con la app Festool Work.

- ▶ Pulsar la tecla de conexión del pulsador de retirada **[1-19]** hasta que el indicador LED **[1-20]** parpadee en azul.

*El pulsador de retirada queda listo para conectarse durante 60 segundos.*

- ▶ Siga las instrucciones de la app Festool Work para autorizar la conexión segura.

## 14 Señales de aviso

Señal de aviso	Descripción de la señal de aviso	Motivo	Medida
Visual	LED [1-15] Parpadeo verde	Batería vacía	Cargar la batería.
		Batería incorrecta	Use una batería correcta (ver apartado 5).
		Sobreenfriamiento de batería.	Respecto a la temperatura de funcionamiento, ver el manual de instrucciones de la batería.
	Parpadeo rojo	Batería defectuosa	– Cambiar la batería. – Comprobar el funcionamiento de la batería ya enfriada con el cargador.
	Luz roja	Sobrecalentamiento del sistema móvil de aspiración a batería	Ver apartado 11.3.
		Sobrecalentamiento de la batería	Deje que se enfríe la batería durante unos 10 minutos.
Límite del nivel de agua: se ha alcanzado la altura máxima de llenado		Ver apartado 12.2.	
Acústica	Señal Ascendente, empezado por dos breves 	Carga de batería baja	– Cargar la batería. – Usar la batería recién cargada.

## 15 Reparación y mantenimiento



### ADVERTENCIA

#### Riesgo de lesiones y descargas eléctricas

- ▶ Retirar siempre la batería del sistema móvil de aspiración a batería antes de realizar cualquier trabajo de mantenimiento o reparación.
- ▶ Todo trabajo de mantenimiento y reparación que exija abrir la carcasa del motor deberá ser realizado siempre por un taller autorizado.



### PRECAUCIÓN

#### Algunos detergentes y disolventes son dañinos para las piezas de plástico.

- ▶ Por ejemplo, los siguientes: gasolina, acetona, metiltilcetona (MEK), cloruro de carbonilo, soluciones de limpieza que contienen cloro, amoníaco y limpiadores domésticos que contienen amoníaco.



#### El servicio de atención al cliente y de reparaciones

solo está disponible a través del fabricante o de los talleres de reparación. Dirección más cercana en: [www.festoolusa.com/service](http://www.festoolusa.com/service)

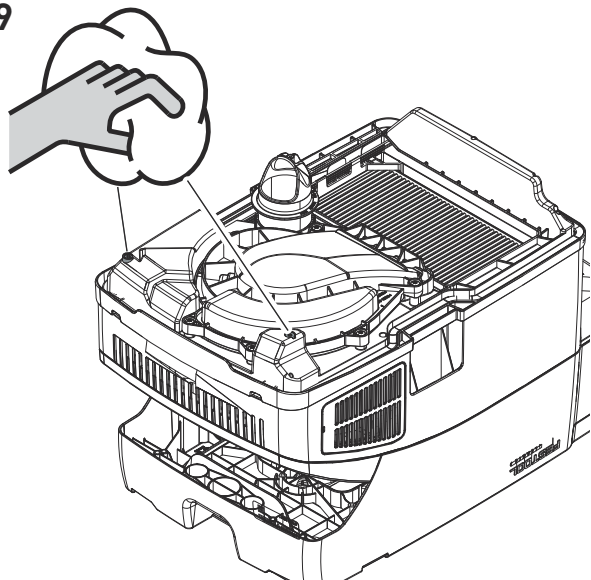


Utilice únicamente piezas de recambio Festool originales. Referencia en: [www.festoolusa.com/service](http://www.festoolusa.com/service)

- ▶ Limpiar los sensores del nivel de llenado [9] y vaciar el depósito para suciedad [1-9] regularmente.



9



### Tener en cuenta las siguientes advertencias:

- El fabricante o una persona capacitada debe realizar un control técnico del polvo al menos una vez al año (p. ej., para comprobar posibles daños del filtro, la estanqueidad de la herramienta y el correcto funcionamiento de los dispositivos de control).
- Debe eliminarse todo aquello que no se pueda limpiar. Para ello, utilizar bolsas estancas. Tener en cuenta las condiciones vigentes de eliminación de los desechos.
- Mantener siempre limpios los puntos de conexión del sistema móvil de aspiración a batería, el cargador y la batería.

Consulte las referencias de los accesorios y las herramientas en el catálogo Festool o en Internet, en [www.festoolusa.com](http://www.festoolusa.com).

## 16 Transporte

### Tener en cuenta las siguientes advertencias:

- Antes del transporte, cerrar siempre el cierre T-Loc en el sistema móvil de aspiración a batería.
- Solo debe asirse por la empuñadura **[1-1]**.
- A la hora de transportar el sistema móvil de aspiración a batería en vehículos, asegurarlo de acuerdo con la correspondiente normativa vigente para evitar que se deslice y vuelque.

## 17 Medio ambiente

**No deseche la herramienta junto con los residuos domésticos.** Recicle las herramientas, accesorios y embalajes de forma respetuosa con el medio ambiente. Respete la normativa vigente del país.

## Reciclaje de baterías



### ADVERTENCIA

#### Riesgo de fuego o daños

- ▶ No intente desarmar la batería ni quitar ninguno de los componentes que sobresalen de las terminales de la batería.
- ▶ Antes de tirarla, proteja las terminales que están al descubierto con cinta adhesiva aislante gruesa para prevenir cortocircuitos.

## 18 Observaciones generales

### 18.1 Información mediante Bluetooth®

Una vez que la herramienta se conecta mediante Bluetooth® a la app Festool Work y la conexión segura se autoriza, a partir de ese momento la herramienta se conecta automáticamente a la app Festool Work. La herramienta envía periódicamente información sobre el estado (ID, estado de funcionamiento, etc.) mediante Bluetooth®.

La marca denominativa Bluetooth® y los logotipos son marcas registradas de Bluetooth SIG, Inc. Por lo tanto, todo uso que TTS Tooltechnic Systems AG & Co. KG y, por consiguiente, también Festool, hagan de dicha marca está sujeto a un contrato de licencia.

### 18.2 Información relativa a la protección de datos

La herramienta contiene un chip que almacena automáticamente los datos de servicio y de la máquina. Los datos guardados no pueden estar directamente relacionados con ninguna persona.

Los datos pueden leerse sin contacto con herramientas especiales, y Festool los utiliza exclusivamente para el diagnóstico de fallos, la gestión de las reparaciones y de la garantía, así como para la mejora de la calidad o el perfeccionamiento de la herramienta. Los datos no se utilizan para otros fines sin el consentimiento expreso del cliente.

### 18.3 EE. UU.: Declaración sobre interferencias de la Comisión Federal de Comunicaciones (FCC)

Nota: Este equipo ha sido sometido a comprobaciones que demuestran que cumple con los límites establecidos para los dispositivos digitales de clase B, de acuerdo con el apartado 15 de las **normas de la FCC**. Estos límites se han establecido para ofrecer una protección razonable contra interferencias cuando el aparato

funcione en un entorno residencial. Este equipo genera, utiliza y puede irradiar energía de radiofrecuencia y, si no se instala y se utiliza de acuerdo con las instrucciones suministradas, podría ocasionar interferencias perjudiciales para las comunicaciones por radio. Sin embargo, no existe garantía de que no se produzcan interferencias en alguna instalación concreta. Si este equipo ocasiona interferencias perjudiciales en la recepción de radio o televisión (lo cual puede comprobarse encendiendo y apagando el equipo), se recomienda que intente corregir la interferencia mediante una de las siguientes acciones:

- Vuelva a orientar o a colocar la antena de recepción.
- Aumente la separación entre el equipo y el receptor.
- Conecte el equipo en una toma de corriente ubicada en un circuito distinto al del receptor.
- Póngase en contacto con el distribuidor o con un técnico de radio y televisión.

Nota: Cualquier cambio o modificación efectuado sin la aprobación expresa de la parte responsable del cumplimiento de la normativa puede anular el derecho del usuario para utilizar el equipo.

#### **18.4 Canadá: Notas (ISED)**

---

Este aparato digital de la Clase B cumple con las normas canadienses ICES-003 y RSS-210. Su funcionamiento está sujeto a las siguientes dos condiciones:

- (1) este dispositivo no puede causar interferencias,
- (2) este dispositivo deberá aceptar cualquier interferencia, incluso aquella que produzca un funcionamiento no deseado del mismo.

#### **18.5 Canadá: Declaración de conformidad con RSS**

---

Este dispositivo cumple con las normas canadienses RSS para dispositivos exentos de licencia. Su funcionamiento está sujeto a dos condiciones:

- (1) este dispositivo no deberá ocasionar interferencias,
- (2) este dispositivo deberá aceptar cualquier interferencia, incluso aquella que produzca un funcionamiento no deseado del mismo. Este dispositivo y su diseño cumplen con los requisitos para la exposición a RF según lo estipulado en la RSS-102, número 5, para dispositivos portátiles.

#### **18.6 Canadá: Información sobre exposición a radiofrecuencia (RF)**

---

La potencia de salida radiada del dispositivo inalámbrico está por debajo de los límites de exposición a radiofrecuencia establecidos por el ISED (Innovation, Science and Economic Development). El dispositivo inalámbrico debe utilizarse de manera que se minimice la posibilidad de que exista contacto humano durante el funcionamiento normal.

La distancia de conformidad entre el usuario y el módulo Bluetooth® debe ser de 25/64" (10 mm).



## **Festool USA Statement on HEPA Vacuums and EPA RRP**

In 2008 the U.S. Environmental Protection Agency (EPA) enacted a rule regarding Lead paint known as Renovation, Repair, and Painting (RRP), 40 CFR Part 745. This rule outlines many practices related to sanding, cutting, and demolition.

To learn more: <https://www.epa.gov/lead/renovation-repair-and-painting-program>

In 2016, the Occupational Safety and Health Administration (OSHA) published a final rule regulating occupational exposure to respirable crystalline silica (silica). OSHA has provided guidance on engineering controls and practices for specific applications which can be found in Table 1 of 29 C.F.R. § 1926.1153 (c).

To learn more: <https://www.osha.gov/laws-regs/regulations/standardnumber/1926/1926.1153>