

en	Original Original Instructions - Plunge-cut saw	7
fr	Notice d'utilisation d'origine- Scie plongeante	24
es	Manual de instrucciones original - Sierra de incisión	42



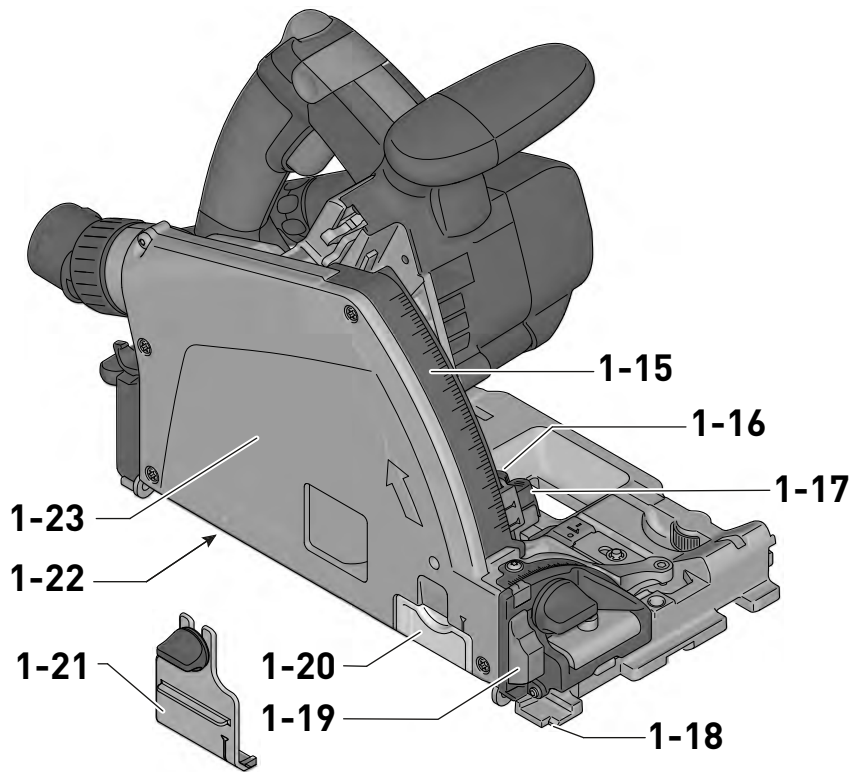
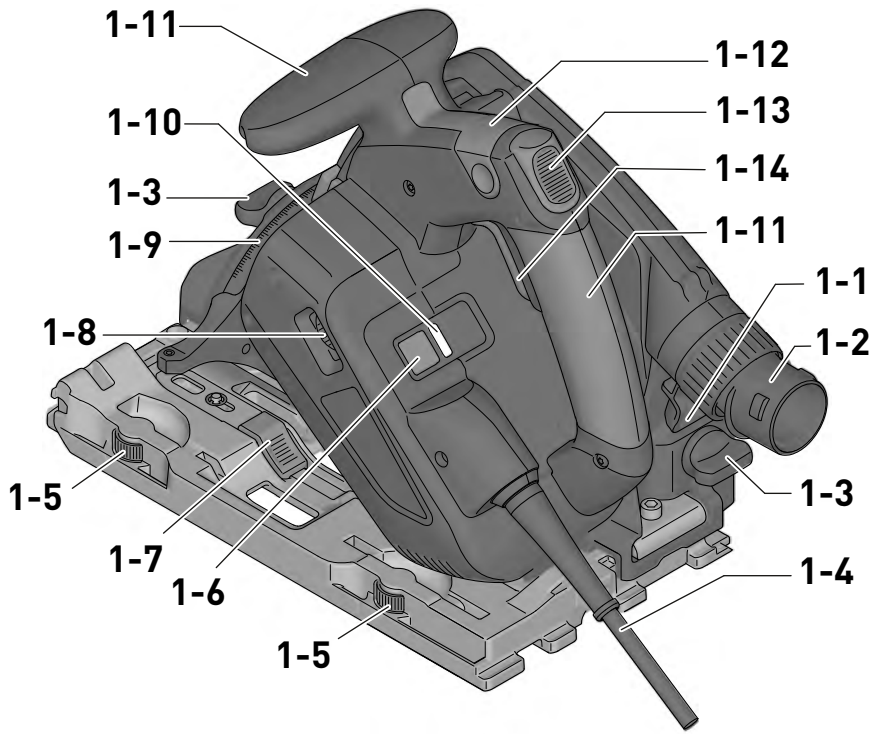
Read all instructions before using
Lire toutes les instructions avant de démarrer les travaux.
Lea y comprende todas las instrucciones antes de usar.



TS 60 KEB



1






Contents

1	About this manual.....	7
2	Symbols.....	7
3	Safety warnings.....	8
4	Intended use.....	12
5	Technical data.....	12
6	Functional description.....	12
7	Commissioning.....	13
8	Settings.....	13
9	Working with the electric power tool.....	17
10	Service and maintenance.....	20
11	Accessories.....	21
12	Environment.....	22
13	General information.....	23







1 About this manual

Save these instructions

It is important for you to read and understand this manual. The information it contains relates to protecting **your safety** and **preventing problems**. The symbols below are used to help you recognize this information.

	DANGER	Description of imminent hazard and failure to avoid hazard will result in death.
	WARNING	Description of hazard and possible resulting injuries or death.
	CAUTION	Description of hazard and possible resulting injuries.
	NOTICE	Description of possible damage of the device or its surroundings.

2 Symbols

	Warning of general danger
	Warning of electric shock
	Read the operating instructions and safety instructions.
	Wear ear protection.
	Wear protective gloves when changing tools!
	Wear a dust mask.



Wear protective goggles.



Pull out the mains plug



Disconnecting the mains power cable



Connecting the mains power cable



Direction of rotation of saw and the saw blade



KickbackStop function



Tool contains a chip which stores data. See section [13.1](#)



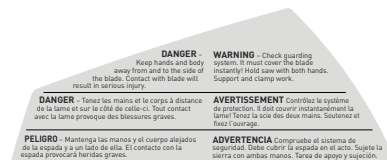
Handling instruction



Tip or advice



Safety class II



DANGER Keep hands and body away from and to the side of the blade. Contact with blade will result in serious injury.

WARNING Check guarding system. It must cover the blade instantly! Hold saw with both hands. Support and clamp work.

W Watt

V Volt

A Ampere

Hz Hertz

~ a.c. Alternating current

≡ d.c. Direct current

n_0 No load speed

min^{-1} Revolutions per minute

" Inch

mm Millimeter

lb. Pound

kg Kilogram




Diameter

- ° angular degree

3 Safety warnings

3.1 General power tool safety warnings

 **WARNING!** Read all safety warnings, instructions, illustrations and specifications provided with this power tool. Failure to follow all instructions listed below may result in electric shock, fire and/or serious injury.

Save all warnings and instructions for future reference.

The term "power tool" in the warnings refers to your mains-operated (corded) power tool or battery-operated (cordless) power tool.

1 WORK AREA SAFETY

- Keep work area clean and well lit.** Cluttered or dark areas invite accidents.
- Do not operate power tools in explosive atmospheres, such as in the presence of flammable liquids, gases or dust.** Power tools create sparks which may ignite the dust or fumes.
- Keep children and bystanders away while operating a power tool.** Distractions can cause you to lose control.

2 ELECTRICAL SAFETY

- Power tool plugs must match the outlet. Never modify the plug in any way. Do not use any adapter plugs with earthed (grounded) power tools.** Unmodified plugs and matching outlets will reduce risk of electric shock.
- Avoid body contact with earthed or grounded surfaces, such as pipes, radiators, ranges and refrigerators.** There is an increased risk of electric shock if your body is earthed or grounded.
- Do not expose power tools to rain or wet conditions.** Water entering a power tool will increase the risk of electric shock.
- Do not abuse the cord. Never use the cord for carrying, pulling or unplugging the power tool. Keep cord away from heat, oil, sharp edges or moving parts.** Damaged or entangled cords increase the risk of electric shock.
- When operating a power tool outdoors, use an extension cord suitable for outdoor use.** Use of a cord suitable for outdoor use reduces the risk of electric shock.
- If operating a power tool in a damp location is unavoidable, use a residual current**

device (RCD) protected supply. Use of an RCD reduces the risk of electric shock.

3 PERSONAL SAFETY

- Stay alert, watch what you are doing and use common sense when operating a power tool. Do not use a power tool while you are tired or under the influence of drugs, alcohol or medication.** A moment of inattention while operating power tools may result in serious personal injury.
- Use personal protective equipment. Always wear eye protection.** Protective equipment such as a dust mask, non-skid safety shoes, hard hat or hearing protection used for appropriate conditions will reduce personal injuries.
- Prevent unintentional starting. Ensure the switch is in the off-position before connecting to power source and/or battery pack, picking up or carrying the tool.** Carrying power tools with your finger on the switch or energising power tools that have the switch on invites accidents.
- Remove any adjusting key or wrench before turning the power tool on.** A wrench or a key left attached to a rotating part of the power tool may result in personal injury.
- Do not overreach. Keep proper footing and balance at all times.** This enables better control of the power tool in unexpected situations.
- Dress properly. Do not wear loose clothing or jewellery. Keep your hair and clothing away from moving parts.** Loose clothes, jewellery or long hair can be caught in moving parts.
- If devices are provided for the connection of dust extraction and collection facilities, ensure these are connected and properly used.** Use of dust collection can reduce dust-related hazards.
- Do not let familiarity gained from frequent use of tools allow you to become complacent and ignore tool safety principles.** A careless action can cause severe injury within a fraction of a second.

4 POWER TOOL USE AND CARE

- Do not force the power tool. Use the correct power tool for your application.** The correct power tool will do the job better and safer at the rate for which it was designed.


- b. **Do not use the power tool if the switch does not turn it on and off.** Any power tool that cannot be controlled with the switch is dangerous and must be repaired.
- c. **Disconnect the plug from the power source and/or remove the battery pack, if detachable, from the power tool before making any adjustments, changing accessories, or storing power tools.** Such preventive safety measures reduce the risk of starting the power tool accidentally.
- d. **Store idle power tools out of the reach of children and do not allow persons unfamiliar with the power tool or these instructions to operate the power tool.** Power tools are dangerous in the hands of untrained users.
- e. **Maintain power tools and accessories. Check for misalignment or binding of moving parts, breakage of parts and any other condition that may affect the power tool's operation. If damaged, have the power tool repaired before use.** Many accidents are caused by poorly maintained power tools.
- f. **Keep cutting tools sharp and clean.** Properly maintained cutting tools with sharp cutting edges are less likely to bind and are easier to control.
- g. **Use the power tool, accessories and tool bits etc. in accordance with these instructions, taking into account the working conditions and the work to be performed.** Use of the power tool for operations different from those intended could result in a hazardous situation.
- h. **Keep handles and grasping surfaces dry, clean and free from oil and grease.** Slippery handles and grasping surfaces do not allow for safe handling and control of the tool in unexpected situations.

5 SERVICE

- a. **Have your power tool repaired by qualified specialists only and always use original spare parts.** This ensures that the safety of the power tool is maintained.
- b. **Only use original parts for repairs and maintenance.** The use of incompatible accessories or spare parts can result in electric shocks or other injuries.

3.2 Safety instructions for specific circular saws

Cutting procedures

-  **DANGER: Keep hands away from cutting area and the blade. Keep your second hand on auxiliary handle, or motor housing.** If both hands are holding the saw, they cannot be cut by the blade.
- **Do not reach underneath the workpiece.** The guard cannot protect you from the blade below the workpiece.
- **Adjust the cutting depth to the thickness of the workpiece.** Less than a full tooth of the blade teeth should be visible below the workpiece.
- **Never hold the workpiece in your hands or across your leg while cutting. Secure the workpiece to a stable platform.** It is important to support the work properly to minimise body exposure, blade binding, or loss of control.
- **Hold the power tool by the insulated handle surfaces if you intend to perform work that entails a risk of cutting into hidden power cables or the tool's own power cable.** Contact with live cables transfers an electric current to metal components on the electric power tool and causes electric shocks.
- **When ripping, always use a rip fence or straight edge guide.** This improves the accuracy of cut and reduces the chance of blade binding.
- **Always use blades with correct size and shape (diamond versus round) of arbour holes.** Blades that do not match the mounting hardware of the saw will run off-centre, causing loss of control.
- **Never use damaged or incorrect blade washers or bolt.** The blade washers and bolt were specially designed for your saw, for optimum performance and safety of operation.

Kickback causes and related warnings

- kickback is a sudden reaction to a pinched, jammed or misaligned saw blade, causing an uncontrolled saw to lift up and out of the workpiece toward the operator;
- when the blade is pinched or jammed tightly by the kerf closing down, the blade stalls and the motor reaction drives the unit rapidly back toward the operator;

- if the blade becomes twisted or misaligned in the cut, the teeth at the back edge of the blade can dig into the top surface of the wood causing the blade to climb out of the kerf and jump back toward the operator.

Kickback is the result of saw misuse and/or incorrect operating procedures or conditions and can be avoided by taking proper precautions as given below.

- **Maintain a firm grip with both hands on the saw and position your arms to resist kickback forces. Position your body to either side of the blade, but not in line with the blade.** Kickback could cause the saw to jump backwards, but kickback forces can be controlled by the operator, if proper precautions are taken.
- **When blade is binding, or when interrupting a cut for any reason, release the trigger and hold the saw motionless in the material until the blade comes to a complete stop. Never attempt to remove the saw from the work or pull the saw backward while the blade is in motion or kickback may occur.** Investigate and take corrective actions to eliminate the cause of blade binding.
- **When restarting a saw in the workpiece, centre the saw blade in the kerf so that the saw teeth are not engaged into the material.** If a saw blade binds, it may walk up or kickback from the workpiece as the saw is restarted.
- **Support large panels to minimise the risk of blade pinching and kickback.** Large panels tend to sag under their own weight. Supports must be placed under the panel on both sides, near the line of cut and near the edge of the panel.
- **Do not use dull or damaged blades.** Unsharpened or improperly set blades produce narrow kerf causing excessive friction, blade binding and kickback.
- **Blade depth and bevel adjusting locking levers must be tight and secure before making the cut.** If blade adjustment shifts while cutting, it may cause binding and kickback.
- **Use extra caution when sawing into existing walls or other blind areas.** The protruding blade may cut objects that can cause kickback.

Guard function

- **Check the lower guard for proper closing before each use. Do not operate the saw if the lower guard does not move freely and close instantly. Never clamp or tie the lower guard into the open position.** If the saw is accidentally dropped, the lower guard may be bent. Raise the lower guard with the retracting handle and make sure it moves freely and does not touch the blade or any other part, in all angles and depths of cut.
- **Check the operation and condition of the guard return spring. If the guard and the spring are not operating properly, they must be serviced before use.** The guard may operate sluggishly due to damaged parts, gummy deposits, or a build-up of debris.
- **Assure that the base plate of the saw will not shift while performing a "plunge cut".** Blade shifting sideways will cause binding and likely kick back.
- **Always observe that the guard is covering the blade before placing the saw down on bench or floor.** An unprotected, coasting blade will cause the saw to walk backwards, cutting whatever is in its path. Be aware of the time it takes for the blade to stop after the switch is released.

Function of the feeler wedge [1-22] (Kickback-Stop function)

- **Every time the saw blade is replaced, clean the feeler unit [4-9] by blowing it out or using a brush.** Any contamination of the feeler unit may impair the KickbackStop function and therefore prevent the saw blade from being stopped.
- **Do not operate the saw if the feeler wedge is bent.** Even the slightest damage can slow the braking of the saw blade.

3.3 Safety instructions for the pre-assembled saw blade

Usage

- The maximum speed specified on the saw blade must not be exceeded and the speed range must be adhered to.
- The pre-installed saw blade is only designed for use in circular saws.
- Proceed with extreme care when unpacking, packing and handling the tool (e.g. installing it in the machine). There is a risk of injury from extremely sharp cutting edges!

- When handling the tool, wearing safety gloves provides a more secure hold of the tool and further reduces the risk of injury.
- Circular saw blades with cracked bodies must be replaced. Repair is not permitted.
- Circular saw blades with a combination design (soldered saw teeth) with saw tooth thickness smaller than 1 mm must no longer be used.
- **WARNING!** Do not use tools with visible cracks or blunt or damaged cutting edges.

Installation and mounting

- Tools must be clamped in such a way that they cannot come loose during operation.
- When assembling the tools, it must be ensured that the clamping takes place on the tool hub or the clamping surface of the tool, and that the cutting edges do not come into contact with other components.
- Do not lengthen the key or tighten by hitting with a hammer.
- The clamping surfaces must be cleaned to remove contamination, grease, oil and water.
- Clamping screws must be tightened according to the manufacturer's instructions.
- Only securely installed rings, e.g. rings that have been pressed in or those that are held in position by an adhesive bond, may be used to adjust the hole diameter of circular saw blades to the spindle diameter of the machine. The use of loose rings is not permitted.

Service and maintenance

- Repairs and sanding work may only be carried out by Festool customer service workshops or experts.
- The tool design must not be changed.
- Deresinify and clean the tool regularly (cleaning agent with pH between 4.5 and 8).
- Blunt edges can be resharpened on the clamping surface to a minimum cutting edge thickness of 1 mm.
- Only transport the tool in suitable packaging – risk of injury!

3.4 Further safety instructions




Wear suitable personal protective equipment: Ear protection, safety goggles, a dust mask for work that generates dust.


- **Harmful/toxic dust may be produced during your work (e.g. paint containing lead, certain types of wood or metals).** Contact with or inhalation of this dust may pose a risk for the operating personnel or persons in the vicinity. Comply with the safety regulations that apply in your country.
- Wear suitable breathing protection to protect your health. In enclosed spaces, ensure that there is sufficient ventilation and connect a mobile dust extractor.
- **This power tool cannot be installed in a work bench.** The power tool may become unsafe and cause serious accidents if installed in benches from other manufacturers or self-manufactured work benches.
- **Check whether there are any signs of damage to the housing components, such as cracks or stress whitening.** Have any damaged components repaired before using the power tool.
- **Use appropriate detection devices to look for any hidden supply lines or consult your local utility company.** If the insertion tool makes contact with live cables, it can result in fire and electric shock. Damage to a gas pipe can lead to an explosion. Penetration of a water pipe can result in damage to property.

3.5 Sawing aluminium

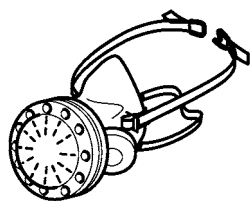
When sawing aluminium, the following measures must be taken for safety reasons:

-  Wear protective goggles.
- Regularly clean dust deposits from the motor housing on the power tool.
- Use an aluminium saw blade.
- Close the viewing window/chip guard.
- Install an upstream residual-current circuit breaker (RCD, PRCD).
- When sawing panels, they must be lubricated with petroleum, but thin-walled profiles (up to 1/8" (3 mm)) can be sawed without lubrication.

3.6 Health hazard by dust

-  **WARNING!** various dust created by power sanding, sawing, grinding, drilling and other construction activities contains chemicals known (to the State of California) to cause cancer, birth defects or other reproductive harm. Some examples of these chemicals are:
 - lead from lead-based paints,

- crystalline silica from bricks and cement and other masonry products, and
- arsenic and chromium from chemically treated lumber.



The risk from these exposures varies, depending on how often you do this type of work. To reduce your exposure to these chemicals: work in a well ventilated

area, and work with approved safety equipment, such as dust masks that are specially designed to filter out microscopic particles. Wash hands after handling.



WARNING

TO REDUCE THE RISK OF INJURY, USER MUST READ INSTRUCTION MANUAL.

4 Intended use

Plunge-cut saws are designed for sawing wood, materials similar to wood, gypsum and cement-bonded fibre materials and plastics.

When fitted with the special saw blades offered by Festool, the machines can also be used for sawing unhardened ferrous metal and non-ferrous metal.

Materials containing asbestos must NOT be processed.

Do not use cutting or abrasive wheels.



The user is liable for improper or non-intended use.

4.1 Saw blades

Only use saw blades with the following dimensions:

- Saw blades according to EN 847-1
- Saw blade diameter 6-5/8" (168 mm)
- Cutting width 5/64" (1.8 mm)
- Locating bore 25/32" (20 mm)
- Standard blade thickness 3/64" (1.2 mm)
- Suitable for speeds of up to 9500 min⁻¹

Festool saw blades comply with EN 847-1.

Only saw materials for which the saw blade in question has been designed.

5 Technical data

Circular saw	TS 60 KEB
Rated current	13 A
Speed	3.000 - 6.800 min ⁻¹

Circular saw	TS 60 KEB
Speed max. (no-load)	6.800 min ⁻¹
Inclination	-1° to 47°
Cutting depth at 0°	0 - 2-7/16" (0 - 62 mm)
Cutting depth at 45°	0 - 1-49/64" (0 - 45 mm)
Saw blade dimensions	6-5/8 x 5/64 x 25/32" (168 x 1.8 x 20 mm)
Weight as per EPTA procedure 01:2014 (without power cable)	10.1 lbs (4.6 kg)

6 Functional description

- [1-1] Cable routing
- [1-2] Extractor connector
- [1-3] Rotary knobs for adjusting the angle
- [1-4] Mains power cable
- [1-5] Adjustable jaws
- [1-6] KickbackStop function OFF button
- [1-7] Slide for undercuts -1°
- [1-8] Speed control
- [1-9] Angle scale
- [1-10] KickbackStop function status LED
- [1-11] Handles
- [1-12] Lever for changing the tool
- [1-13] Safety lock
- [1-14] On/off switch
- [1-15] Split scale for the cutting depth stop (with/without a guide rail)
- [1-16] Cutting depth adjusting screw for re-conditioned saw blades
- [1-17] Cutting depth stop
- [1-18] Gauge marker
- [1-19] Slide for undercuts 47°
- [1-20] Viewing window/chip guard
- [1-21] Splinter guard
- [1-22] Feeler wedge
- [1-23] Protective lid

The pictures for the functional description are on a fold-out page at the beginning of the instruction manual. While reading the manual you can fold out the page for comparison and quick reference.

Accessories shown or described are not always included in the scope of delivery.

7 Commissioning



WARNING

Unauthorised voltage or frequency.

Risk of accidents

- ▶ The mains voltage and the frequency of the power source must correspond to the specifications on the name plate.
- ▶ In North America, only Festool machines with the voltage specifications 120 V / 60 Hz may be used.



Always switch off the machine before connecting and disconnecting the mains power cable.

7.1 Extension Cord

If an extension cord is required, it must have sufficient cross-section to prevent an excessive drop in voltage or overheating. An excessive drop in voltage reduces the output and can lead to failure of the motor. The table below shows you the correct cord diameter as a function of the cord length for this tool.

Cord Size in A.W.G

Tool`s Ampere Rating	Cord Length in Feet			
	25	50	100	150
3-6	18	16	16	14
6-8	18	16	14	12
8-10	18	16	14	12
10-12	16	16	14	12
12-16	14	12	-	-

Wire Sizes in mm²

Tool`s Ampere Rating	Cord Length in Meters			
	15	30	60	120
3-6	0.75	0.75	1.5	2.5
6-8	0.75	1.0	2.5	4.0
8-10	0.75	1.0	2.5	4.0

Tool`s Ampere Rating	Cord Length in Meters			
	1.0	2.5	4.0	-
10-12	1.0	2.5	4.0	-
12-16	-	-	-	-

Use only NRTL listed extension cords.

Never use two extension cords together. Instead, use one long one.

- ⓘ The lower the AWG number, the stronger the cord.

8 Settings



WARNING

Risk of injury, electric shock

- ▶ Always disconnect the mains plug from the socket before performing any work on the machine.

8.1 Electronics

Speed control

You can continuously adjust the speed within the speed range using the adjusting wheel **[1-8]** (see "Technical data"). This enables you to optimise the cutting speed to suit each surface.

Speed range per material

Solid wood (hard, soft)	6
Chipboard and hardboard	3-6
Laminated wood, blockboard, veneered and laminated panels	6
Laminate, mineral materials	4-6
Plaster- and cement-bonded chipboard and fibreboard	1-3
Aluminium panels and profiles up to 19/32" (15 mm)	4-6
Plastics, fibre-reinforced plastics, paper and fabric	3-5
Acrylic glass	4-5

Overload protection

Electronic overload protection protects the motor from damage if there is an extreme overload. In this case, the motor remains at a standstill and only starts up again once the load has been removed. To restart the machine, you must switch it on again.

Brake

The saw TS 60 KEB comes with an electronic brake. The saw blade is stopped electronically within approximately two seconds of switching off the machine.

Temperature cut-out

The power supply is restricted and the speed reduced if the motor exceeds a certain temperature. The power tool continues operating at reduced power to allow the ventilator to cool the motor quickly. The power tool starts up again automatically once the motor has cooled sufficiently.

8.2 Adjusting the cutting depth

The cutting depth can be set at 0 - 2-7/16" (0 - 62 mm) at the cutting depth stop **[2-1]**.

The saw unit can now be pushed downwards as far as the cutting depth that is set.

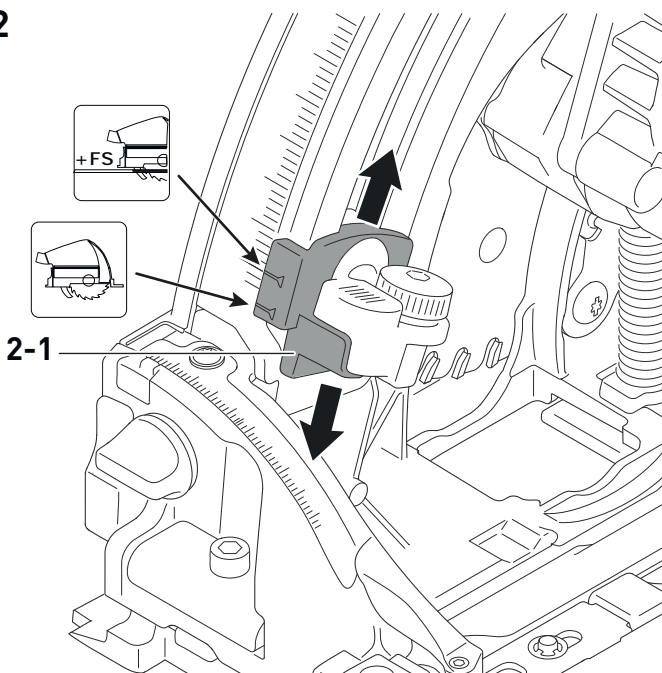


Cutting depth without guide rail
max. 2-7/16" (62 mm)



Cutting depth with FS guide rail
max. 2-1/4" (57 mm)

2



8.3 Adjusting the cutting angle

Between 0° and 45°

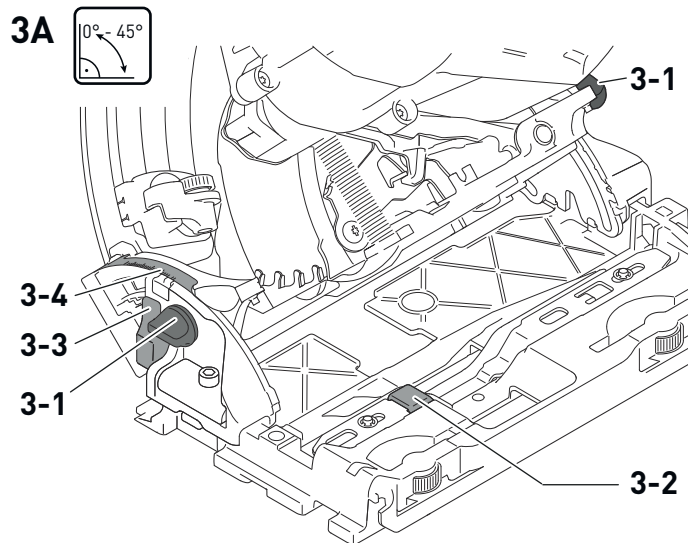
- ▶ Open the rotary knobs **[3-1]**.
- ▶ Swivel the saw unit to the desired cutting angle **[3-4]**.
- ▶ Close the rotary knobs **[3-1]**.

- ⓘ Both positions (0° and 45°) are set at the factory and can be readjusted by the customer service team.



When making angled cuts, slide the viewing window/splinter guard to the highest position.

3A



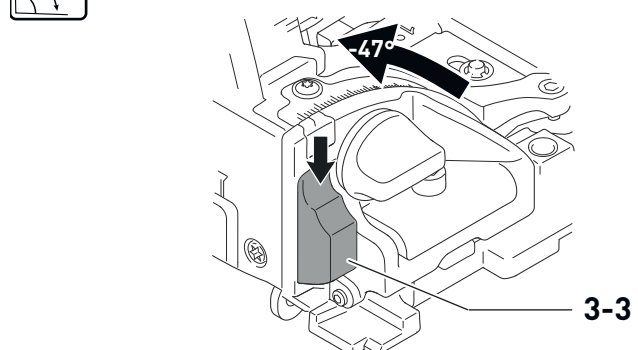
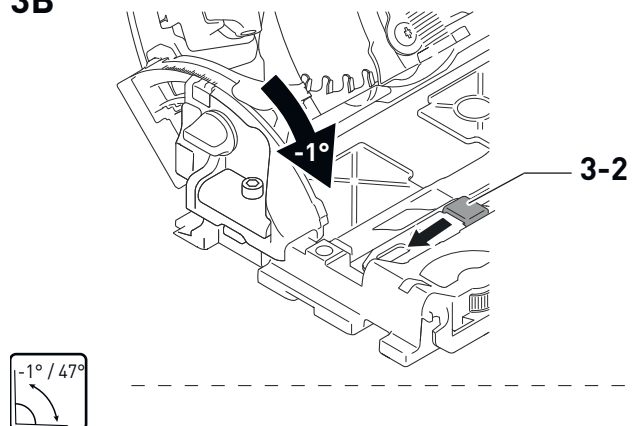
To undercut -1° and 47°

- ▶ Swivel the saw unit to the end position (0°/45°) as described above.
- ▶ For 47° undercuts, push the slide **[3-3]** on the front swivelling segment downwards.
- ▶ For -1° undercuts, push the slide **[3-2]** on the plate forwards.

The saw unit engages in the -1°/47° position.

- ▶ Close the rotary knobs **[3-1]**.

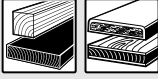

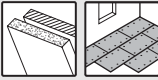
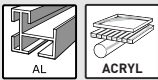
3B



8.4 Selecting the saw blade

Festool saw blades are identified by a coloured ring. The colour of the ring represents the material for which the saw blade is suited.

Refer to the necessary saw blade data (see section 4.1).

Colour	Material	Symbol
Yellow	Wood	
Red	Laminate, mineral material	
Green	Plaster- and cement-bonded chipboard and fibreboard	
Blue	Aluminium, plastic	

8.5 Changing the saw blade [4]



WARNING

Risk of injury, electric shock

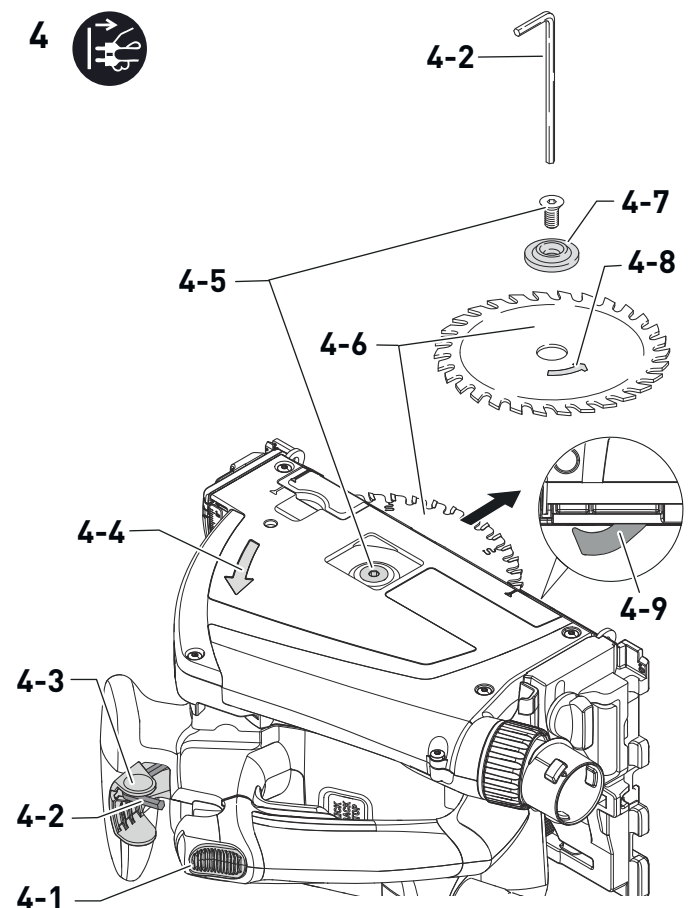
- ▶ Always disconnect the mains plug from the socket before performing any work on the machine.



CAUTION

Risk of injury from hot and sharp insertion tool

- ▶ Do not use any blunt or faulty insertion tools.
- ▶ Wear protective gloves when handling an insertion tool.



Removing the saw blade

- ▶ Swivel the saw to 0° before replacing the saw blade and adjust the maximum cutting depth.
- ▶ Turn the lever [4-3] as far as it will go. Operate the lever **only when the saw is at a standstill!**
- ▶ Push the saw unit down until it engages.
- ▶ Lay the saw on its side on a stable base. Saw blade side upwards.
- ▶ Loosen the screw [4-5] using the Allen key [4-2].
- ▶ Remove the saw blade [4-6].

Cleaning the feeler unit

WARNING! Any contamination of the feeler unit may impair the KickbackStop function and therefore prevent the saw blade from being stopped.

- ▶ Hold the saw unit securely by its handle, close the lever [4-3] and press the saw unit all the way down.
- ▶ Release the lever [4-3] again and click the saw unit into place.
- ▶ Clean the feeler unit [4-9] by blowing it out or using a brush.

Inserting the saw blade

WARNING! Check the screws and flange for contamination and only use clean and undamaged parts.

- ▶ Hold the saw unit securely by its handle and turn the lever [4-3] as far as it will go.
- ▶ Push the saw unit down until it engages.
- ▶ Insert a new saw blade.

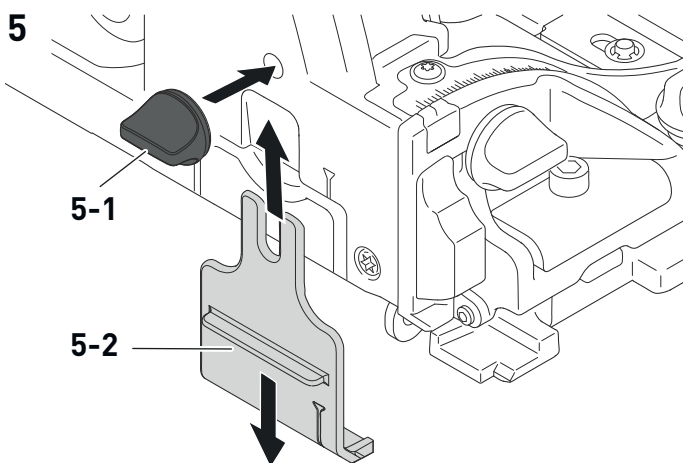
WARNING! The direction of rotation of the saw blade [4-8] and saw [4-4] must match. Serious injuries may occur in the event of non-compliance.

- ▶ Insert the outer flange [4-7] in such a way that the pulling peg engages in the recess of the inner flange.
- ▶ Tighten the screw [4-5].
- ▶ Hold the saw unit securely by its handle, close the lever [4-3] and guide the saw unit back upwards.

8.6 Inserting the splinter guard [5]

With 0° cuts, the **splinter guard** (green) [5-2] also improves the quality of the cutting edge of the sawn-off workpiece on the upper side.

- ▶ Insert the splinter guard [5-2].
- ▶ Screw the rotary knob [5-1] through the hole into the viewing window.
- ▶ **CAUTION! Only use the rotary knob supplied with your plunge-cut saw.** The rotary knob of another saw may be too long and jam the saw blade.



Sawing a splinter guard

You must bed in the splinter guard before using it:

- ▶ Set the machine to maximum cutting depth.
- ▶ Set the machine speed to 6.
- ▶ Place the machine for sawing the splinter guard on a test piece of wood.

8.7 Dust extraction



WARNING

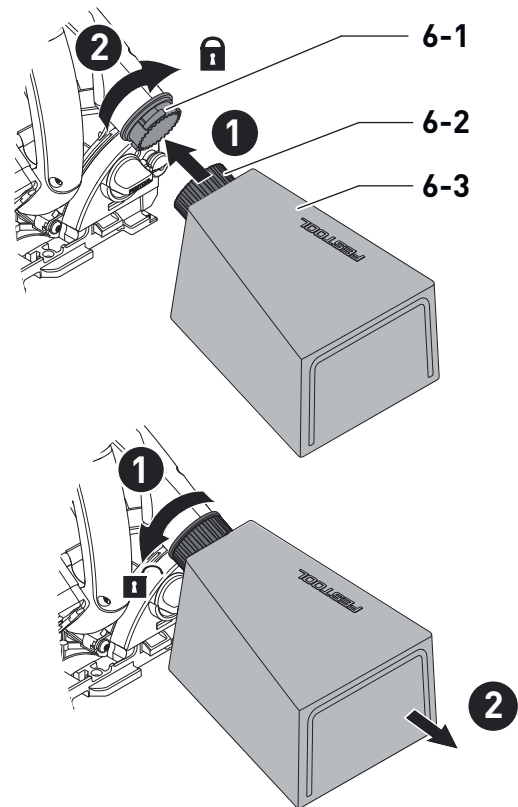
Health hazard posed by dust

- ▶ Always work with an extractor.
- ▶ Only use a dust extractor designed to collect the specific type of dust and particles from the material being cut.
- ▶ Follow OSHA and NFPA regulations to ensure a safe work environment.

Independent extraction

- ▶ Secure the connection piece [6-2] of the dust collection bag [6-3] at the extractor connector [6-1] with a clockwise rotation.
- ▶ To empty, remove the connection piece of the dust collection bag from the extractor connector with an anti-clockwise rotation.

6A



Blockages in the guard may impair safety features. To avoid blockages, it is therefore better to work with a mobile dust extractor at full suction power.

Static charge may occur when sawing (e.g. MDF). If this is the case, work with a mobile dust extractor and an antistatic suction hose.

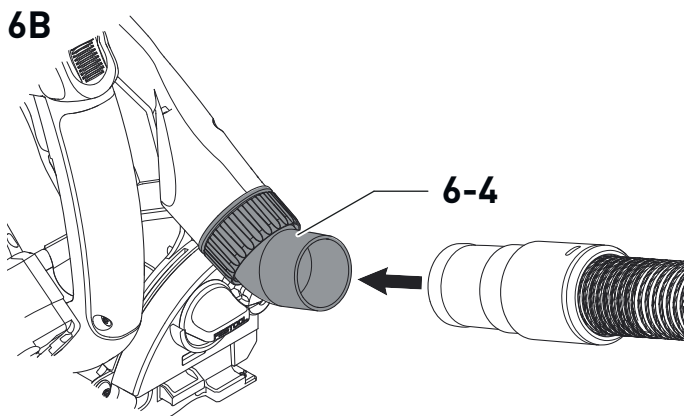
Festool mobile dust extractor

A Festool mobile dust extractor with a suction hose diameter of 1-1/16"/1-17/64" (27/32 mm) or 1-7/16" (36 mm) (36 mm recommended due


to the reduced risk of clogging) can be connected to the extractor connector **[6-1]**.

The adapter on a 1-1/16" (27 mm) diameter suction hose is inserted into the angle adapter **[6-4]**. The adapter on a 1-7/16" (36 mm) diameter suction hose is inserted over the angle adapter **[6-4]**.

CAUTION! A static charge may build up if no antistatic suction hose is used. The user may receive an electric shock and the power tool's electronics may be damaged.



9 Working with the electric power tool

 When working on the machine, observe all of the safety warnings that are listed at the start as well as the following rules:

Before starting

- Before each use, check whether the drive unit with the saw blade correctly and fully swivels back up into its initial position in the protective housing. Do not use the saw if the upper end position is not secured. Never clamp or secure the swivelling drive unit at a specific cutting depth. This would mean that the saw blade is not protected.
- Check the plunging mechanism prior to use and do not use the machine if it does not work correctly.
- Check that the saw blade is securely in place.
- Before each use of the saw, check that the KickbackStop is functioning properly (see Section 9.11).
- Make sure that the rotary knob **[1-3]** is tightened before starting work.
- Make sure that extractor hose and mains power cable do not snag the entire saw cut, either on the workpiece, the workpiece support or hazards on the ground.

During work

- Position the saw's plate such that it is always completely level during any work.
- When working, always hold the power tool **with both hands** on the handles **[1-11]**. This is a prerequisite for precise work and is essential for plunge-cutting. Plunge into the workpiece slowly and evenly.
- Only guide the power tool towards the workpiece when it is switched on.
- Always push the saw forwards **[11-2]**, and **never towards yourself**.
- Adapt the infeed speed to prevent the cutters on the saw blade from overheating and prevent plastic materials from melting during cutting. The harder the material to be sawn, the lower the feed speed needs to be.
- Do not work with the machine if the electronics are defective, because this may lead to excessive speeds. You can tell if the electronics are defective if there is no smooth start-up or if it is not possible to regulate the speed or where smoke is present or if there is a smell of burning coming from the machine.

9.1 Acoustic warning signals

Acoustic warning signals sound and the machine switches off in the following operating states:



peep — —

Machine overloaded

- ▶ Reduce the load on the machine.

9.2 Switch on/off

Pressing the switch-on lock unlocks the plunging mechanism.

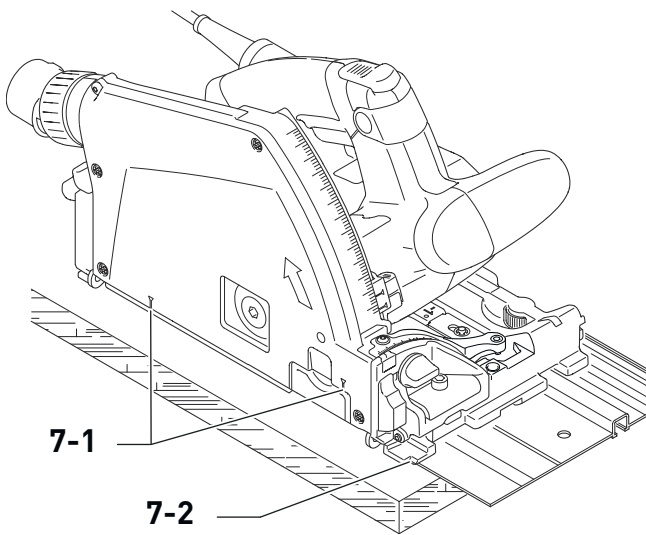
- ▶ Slide the switch-on lock **[1-13]** upwards and press the on/off switch **[1-14]** (press = ON / release = OFF).

The saw unit can then be moved downwards. This causes the saw blade to emerge from the protective cover.

9.3 Sawing along the scribe mark

The gauge marker **[7-2]** displays the cutting line for 0° and 45° cuts (without a guide rail).


7



9.4 Cutting sections

Position the machine with the front part of the saw table on the workpiece, switch on the machine, push it down to the set cutting depth and push it forward in the cutting direction.

9.5 Sawing cut-outs (plunge cuts)

 In order to avoid kickbacks, the following instructions must always be followed when plunge cutting:

- Always position the machine with the rear edge of the saw table against a fixed stop.
- When working with the guide rail, position the machine at the FS-RSP kickback stop (accessory) [11-4], which is clamped to the guide rail.

Procedure

- ▶ Place the machine on the workpiece and position it at a stop (KickbackStop).
- ▶ Switch on the machine.
- ▶ Slowly push the machine down to the set cutting depth and push it forward in the cutting direction.

The marks [7-1] indicate the absolute front and rear cutting points of the saw blade (Ø 6-5/8" (168 mm)) when using the saw at maximum cutting depth with the guide rail.

9.6 Gypsum and cement-bound fibreboards

Due to the high volume of dust, it is recommended to use the cover ABSA-TS55/60 (accessories) which can be mounted at the side at the protective cover and a Festool mobile dust extractor.

9.7 KickbackStop function



WARNING

Risk of injury

The KickbackStop does not guarantee complete protection against a kickback.

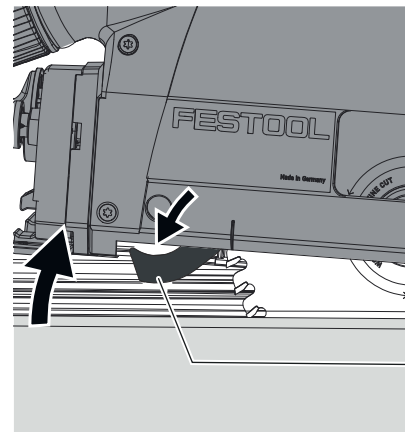
- ▶ Always concentrate on your work and refer to the safety instructions and warnings.

A kickback while working may cause the saw to lift unintentionally.

The feeler wedge [8-1] detects unintentional lifting (kickback) of the saw from the workpiece or a rail during work and triggers the quick-acting braking of the saw blade (Fig. [8A]).

This reduces the risk of a kickback. However, it cannot be entirely ruled out.

8A



8-1

KickbackStop function status LED

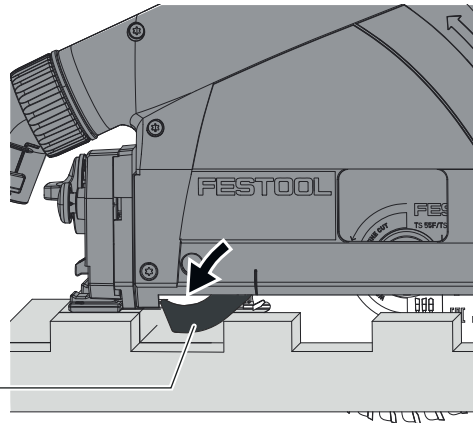
Colour	Meaning
Green	The KickbackStop function is active.
Orange	The KickbackStop function is deactivated.
Flashing orange	The KickbackStop function is not active. The saw was started up before the feeler wedge was pressed against the workpiece or a guide rail. The saw's plate is not positioned such that it is completely level. Once the saw has been positioned such that it is completely level, the LED will switch to green. If this is not the case, check the KickbackStop function (see Section 9.11)
Flashing red	The KickbackStop function has been triggered.

9.8 Unintentional triggering of the KickbackStop function

Working without a guide rail on an uneven workpiece may cause the KickbackStop function to trigger unintentionally (Fig. **8B**).

The feeler wedge **[8-1]** runs along the workpiece. If there is a recess in the workpiece, the position of the feeler wedge will correspond to the position when the workpiece or guide rail is lifted. This triggers the KickbackStop function. It may then be necessary to work without the KickbackStop function (see Section **9.10**).

8B



8-1

9.9 Procedure after the KickbackStop function has been triggered

Triggered by unintentional lifting (kickback)

- ▶ Determine and eliminate any reasons for lifting.
- ▶ Check the machine for any damage.
- ▶ Check the feeler wedge for any damage.
- ▶ Check the KickbackStop function (see Section **9.11**).

After the KickbackStop function has unintentionally been triggered

- ▶ Release the on/off switch and wait until the KickbackStop function status LED is no longer flashing.
- ▶ Check whether there was an unintentional triggering of the KickbackStop function (see Section **9.8**) or a kickback.
- ▶ Try first to continue working with an active KickbackStop function. Only deactivate the KickbackStop function if you are working without a rail and your workpiece is so uneven that the KickbackStop function would unintentionally be triggered several times (see Section **9.10**).

9.10 Working without the KickbackStop function



WARNING

Risk of injury

If the KickbackStop function is deactivated, the saw blade is not stopped when it unintentionally lifts.

- ▶ Only deactivate the KickbackStop function if you are working without a rail and your workpiece is so uneven that the KickbackStop function would unintentionally be triggered several times.

Deactivate the KickbackStop function

- ▶ Press the KickbackStop function OFF button.
- ▶ Press and hold the on/off switch within ten seconds.

The KickbackStop function remains deactivated until the on/off switch is next released.

- ⓘ The KickbackStop function can only be deactivated before the saw is switched on.

9.11 Checking the KickbackStop function



WARNING

Risk of injury from a protruding saw blade.

- ▶ Carry out function testing on the guide rail.
- ▶ Before the function testing:
 - Remove the saw blade,
 - Set the cutting depth to 0" (0 mm) (FS).
- ▶ Set the cutting depth to 0" (0 mm) (FS).
- ▶ Place the machine on the guide rail.
- ▶ Switch on the machine.
- ▶ Press the KickbackStop function OFF button four times at intervals of at least 0.5 seconds within five seconds.

The KickbackStop function status LED flashes alternately red and green.

- ▶ Within 15 seconds
 - ▷ Press the saw unit down.
 - ▷ Lift the machine at the rear and lower it again.

A signal sounds, the status LED lights up green. The KickbackStop function operates fault-free.

If no signal sounds and the status LED does not switch to green, the KickbackStop function is not operating fault-free.

- ▶ Check whether the function testing was carried out correctly.

- ▶ Clean the feeler unit behind the saw blade (see "Changing the saw blade").

If the function testing remains unsuccessful, the machine must no longer be used. Contact your Festool service workshop.

10 Service and maintenance



WARNING

Any maintenance or repair work that requires opening of the motor or gear housing should only be carried out by an authorised Customer Service Centre (name supplied by your dealer)!

- ▶ Maintenance or repair work carried out by an unauthorised person can lead to the wrong connection of the power cord or other components, which in turn can lead to accidents with serious consequences.



WARNING

To prevent accidents, always remove the plug from the power supply socket before carrying out any changes or maintenance work on the tool!

- ▶ Do not use compressed air to clean the electrical tool! Do not try to clean parts inside the tool in this way, as you could let foreign objects in through the openings of the tool housing.



CAUTION

Certain cleaning agents and solvents are harmful to plastic parts.

- ▶ Some of these include, but are not limited to: Gasoline, Acetone, Methyl Ethyl Ketone (MEK), Carbonyl Chloride, cleaning solutions containing Chlorine, Ammonia, and household cleaners containing Ammonia.



Customer service and repairs must only be carried out by the manufacturer or service workshops. Find the nearest address at:

www.festoolusa.com/service



Always use original Festool spare parts. Order no. at:

www.festoolusa.com/service

Observe the following instructions:

- ▶ Damaged safety devices and parts, such as a faulty lever for changing tools **[1-12]**,

must be properly repaired or replaced in a recognised specialist workshop, unless otherwise indicated in the operating manual.

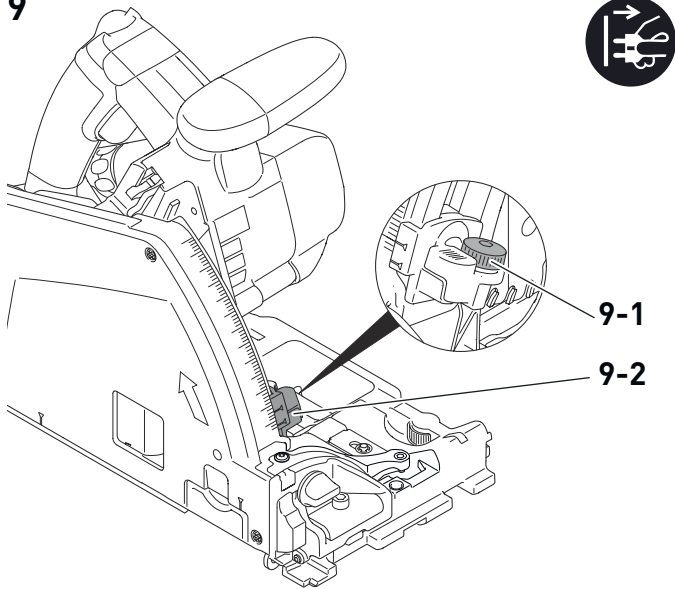
- ▶ Check the condition and fault-free functioning of the recuperating springs, which push the entire drive mechanism bearing into the upper protected end positions.
- ▶ To ensure constant air circulation, always keep the cooling air openings in the housing clean and free of blockages.
- ▶ Use an extractor on all openings in order to remove wood chips and splinters from the power tool. Never open the protective lid **[1-23]**.
- ▶ When working with plaster- and cement-bonded fibreboards, clean the tool particularly thoroughly. Clean the vents of the power tool and on/off switch using dry, oil-free compressed air. Otherwise, gypsum dust deposits may build up inside the power tool's housing and on the on/off switch and harden when exposed to humidity. This may impair the switching mechanism.
- ▶ Check all warnings on the electric power tool for readability and completeness. Replace missing or illegible warnings.

10.1 Reconditioned saw blades

You can use the adjusting screw **[9-1]** to precisely set the cutting depth for reconditioned saw blades.

- ▶ Set the cutting depth stop **[9-2]** to 0" (0 mm) (with guide rail).
- ▶ Unlock the saw unit and push it downwards as far as the stop.
- ▶ Screw the adjusting screw **[9-1]** in until the saw blade comes into contact with the workpiece.

9



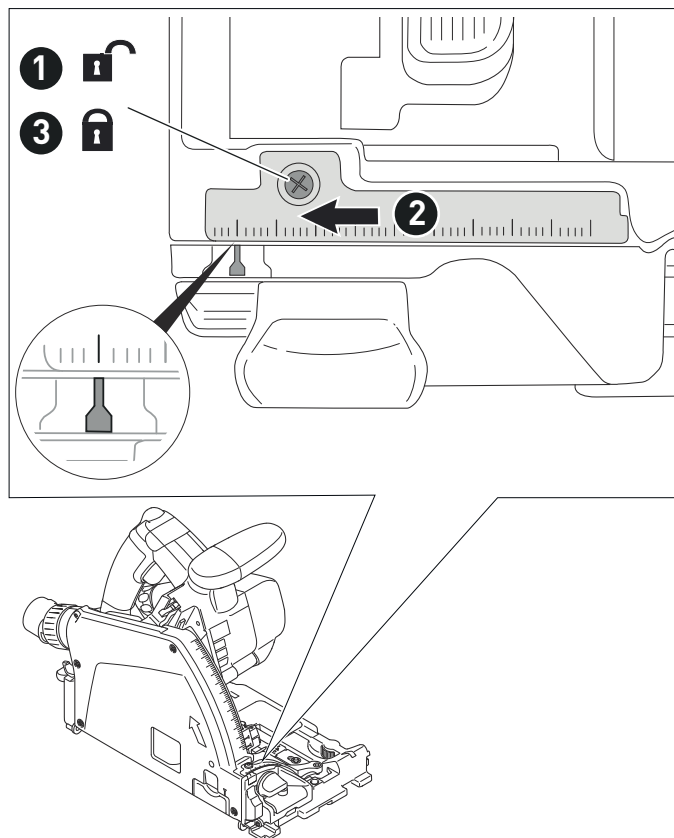
10.2 Saw table wobbles

- i** The saw table must be on an even surface when adjusting the cutting angle.
- If the saw table wobbles, the setting must be implemented again.

10.3 Aligning the angle scale

See figure [10].

10



11 Accessories

Always use accessories and consumable materials approved by Festool. See Festool www.festoolusa.com.

The power tool may become unsafe and lead to serious accidents if other accessories and consumables are used.

In addition to the accessories described, Festool also provides a comprehensive range of system accessories that allow you to use your machine more effectively and in diverse applications, e.g.:

- Parallel stop PA-TS 60
- Side-mounted cover, false joint ABSA-TS 55/60
- Kickback stop FS-RSP
- Parallel stop FS-PA and guide extension FS-PA-VL
- Angle stop FS-WA
- Mobile saw table and work bench STM 1800
- Multifunction table MFT/3

11.1 Saw blades, other accessories

In order to saw different materials quickly and cleanly, Festool offers saw blades for all applications and these are specially designed for your Festool saw.

11.2 Guide system

The guide rail enables you to make clean, accurate cuts while simultaneously protecting the surface of the workpiece from damage.

In conjunction with the extensive range of accessories, exact angled cuts, mitre cuts and fitting work can be completed with the guide system. The option of attaching the guide rail securely using clamps [11-5] ensures safer working conditions.

- Adjust the guide play between the saw table and the guide rail using the two adjustable jaws [11-1].

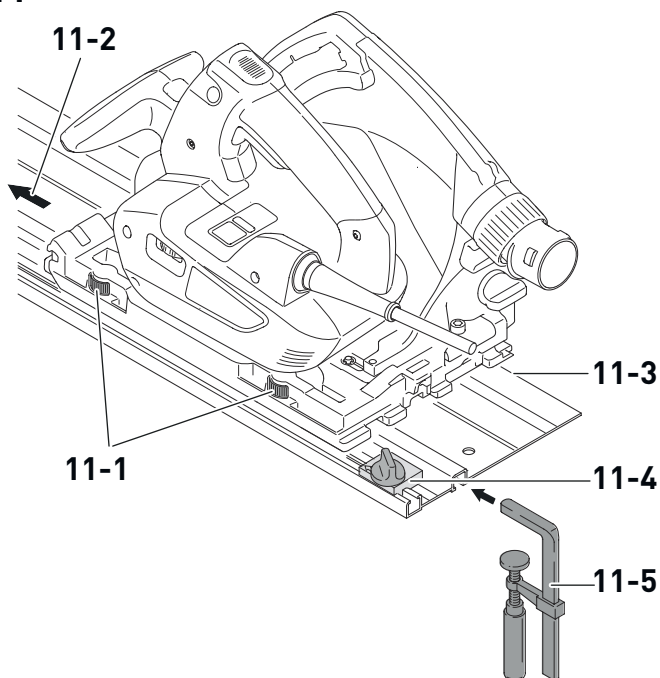
Bed in the splinter guard [11-3] before using the guide rail for the first time:

- Set the machine speed to 6.
- Place the machine at the rear end of the guide rail together with the complete guide plate.
- Switch on the machine.
- Push down the machine slowly to the max. preset cutting depth and cut along the full length of the splinter guard without stopping.

The edge of the splinter guard now corresponds exactly to the cutting edge.

- ① Position the guide rail for sawing the splinter guard on a test piece of wood.

11



11.3 Cross cutting guide rail

The cross cutting guide rail is designed for sawing wood and panel materials.

It enables precise and clean cuts, in particular angled cuts can be performed simply and with repeat accuracy. The saw automatically moves back to the initial position after the sawing process.


Observe the instructions in the operating manual for the FSK cross cutting guide rail

11.4 SYSTAINER


Systainer

Many Festool products are shipped in a unique system container, called "Systainer". This provides protection and storage for the tool and accessories. The Systainers are stackable and can be interlocked together. They also can be interlocked atop Festool CT dust extractors.

To open the Systainer

-  Turn the T-loc **[SYS-b-1]** to this position.

To lock the Systainer

-  Turn the T-loc **[SYS-b-1]** to this position.

To connect two Systainers

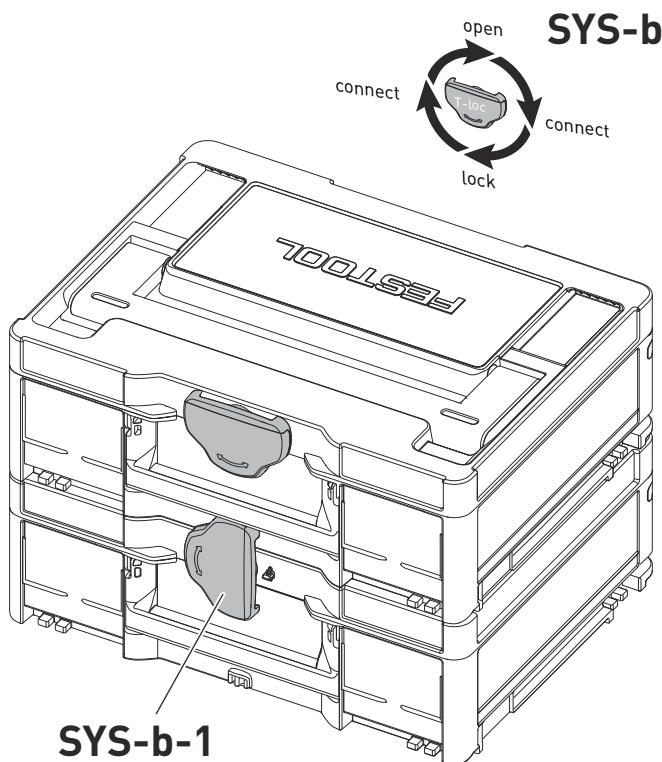
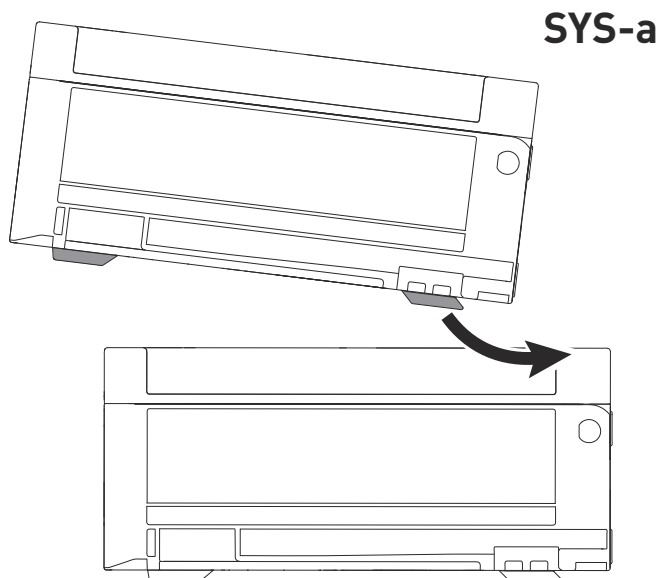
Place one Systainer on the top of the other (Fig. **[SYS-a]**).



- Turn the T-loc **[SYS-b-1]** to one of this positions (Fig. **[SYS-b]**).

The Systainers are connected and locked.

- ① A Systainer Classic Line can be connected to a Systainer T-Loc or to a Systainer³ from below via its four locking devices. A Systainer T-Loc can be connected to a Systainer³ both from below and from above.



12 Environment

Do not dispose of the device as domestic waste! Dispose of machines, accessories and packaging at an environmentally responsible

recycling centre. Observe the respective national regulations.

13 General information

13.1 Information on data privacy

The power tool contains a chip which automatically stores machine and operating data. The data saved cannot be traced back directly to an individual.

The data can be read in a contactless manner using special devices and shall only be used by Festool for fault diagnosis, repair and warranty processing and for quality improvement or enhancement of the power tool. The data shall not be used in any other way without the express consent of the customer.

Sommaire

1	À propos de ce manuel.....	24
2	Symboles.....	24
3	Consignes de sécurité.....	25
4	Utilisation conforme.....	30
5	Caractéristiques techniques.....	30
6	Description fonctionnelle.....	30
7	Mise en service.....	31
8	Réglages.....	31
9	Utilisation de l'outil électroportatif.....	35
10	Maintenance et entretien.....	38
11	Accessoires.....	40
12	Environnement.....	41
13	Remarques générales.....	41

1 À propos de ce manuel

Conservez ces instructions

Il est important pour vous de lire et de comprendre ce manuel. Les informations qu'il contient, se rapporte à la protection **de votre sécurité** et **de prévention des problèmes**. Les symboles suivants sont utilisés pour vous aider à reconnaître cette information.



DANGER Description du risque imminent et l'incapacité à éviter tout risque qui peut entraîner la mort.



AVERTISSEMENT Description des dangers possibles et des blessures qui en résultent ou la mort.



ATTENTION Description des dangers et des éventuelles blessures qui en résultent.

AVIS Description des dommages potentiels sur l'appareil ou dans son environnement.

2 Symboles



Avertit d'un danger général



Avertit d'un risque de décharge électrique



Lire le mode d'emploi et les consignes de sécurité !



Porter une protection auditive !



Porter des gants de protection pour procéder au changement d'outil !



Porter une protection respiratoire !



Porter des lunettes de protection !



Débrancher la fiche secteur



Débrancher le câble de raccordement secteur



Brancher le câble de raccordement secteur



Sens de rotation de la scie et de la lame de scie



Fonction KickbackStop



L'outil contient une puce permettant l'enregistrement des données. Voir chapitre 13.1



Instruction



Conseil, information



Classe de protection II



DANGER Tenez les mains et le corps à distance de la lame et sur le côté de celle-ci. Tout contact avec la lame provoque des blessures graves.

AVERTISSEMENT Contrôlez le système de protection. Il doit couvrir instantanément la lame! Tenez la scie des deux mains. Soutenez et fixez l'ouvrage.

W Watt

V Volt

A Ampère

Hz Hertz

~ a.c. Tension alternative

— d.c Tension continu

n_0 Vitesse de rotation à vide

min^{-1} Tours ou course par minute

"	Pouce
mm	Millimètre
lb.	Livre
kg	Kilogramme
∅	Diamètre
°	degré angulaire

3 Consignes de sécurité

3.1 Consignes générales de sécurité pour outils électroportatifs



AVERTISSEMENT ! Veuillez lire toutes les consignes de sécurité, instructions, illustrations et caractéristiques techniques qui accompagnent le présent outil électroportatif.

Des négligences relatives aux instructions suivantes peuvent occasionner un choc électrique, un incendie et/ou des blessures graves.

Conserver l'ensemble des consignes de sécurité et des instructions afin de pouvoir les consulter ultérieurement.

Le terme « outil électroportatif » utilisé dans les consignes de sécurité se rapporte aux outils électroportatifs fonctionnant sur secteur (avec câble) et aux outils électroportatifs fonctionnant sur batterie (sans câble).

1 SÉCURITÉ DU POSTE DE TRAVAIL

- Veillez à ce que la zone de travail soit propre et bien éclairée.** Un poste de travail en désordre ou mal éclairé peut entraîner des accidents.
- Ne vous servez pas de l'outil électroportatif dans un environnement où il y a un risque d'explosion dû à la présence de liquides inflammables, de gaz ou de poussières.** Les outils électroportatifs peuvent générer des étincelles susceptibles d'enflammer la poussière ou les vapeurs.
- Éloignez les enfants et d'autres personnes pendant l'utilisation de l'outil électroportatif.** Si vous êtes distrait, vous pouvez perdre le contrôle de l'outil électroportatif.

2 SÉCURITÉ ÉLECTRIQUE

- Le connecteur de l'outil électroportatif doit correspondre à la prise électrique. Le connecteur ne doit être modifié d'aucune façon. N'utilisez pas d'adaptateur avec des outils électroportatifs mis à la terre.** Des connecteurs intacts et des prises corres-

pondantes diminuent le risque d'un choc électrique.

- Évitez tout contact avec des surfaces mises à la terre telles que des tuyaux, chauffages, cuisinières et réfrigérateurs.** Un risque élevé de choc électrique existe si votre corps est relié à la terre.
- Protégez les outils électroportatifs de la pluie et de l'humidité.** L'infiltration d'eau dans un outil électroportatif augmente le risque de choc électrique.
- Ne détournez pas l'utilisation du câble de raccordement pour porter l'outil électroportatif, l'accrocher ou pour tirer le connecteur de la prise. Éloignez le câble de la chaleur, de l'huile, de bords tranchants ou de pièces en mouvement.** Des câbles de raccordement endommagés ou enchevêtrés augmentent le risque de choc électrique.
- Si vous travaillez avec un outil électroportatif à l'extérieur, utilisez uniquement des rallonges prévues pour l'extérieur.** L'utilisation d'un câble prévu pour l'extérieur diminue le risque d'un choc électrique.
- Utilisez un disjoncteur à courant de défaut quand le fonctionnement de l'outil électroportatif en environnement humide ne peut pas être évité.** L'utilisation d'un disjoncteur à courant de défaut diminue le risque d'un choc électrique.

3 SÉCURITÉ DES PERSONNES

- Soyez attentif à ce que vous faites, faites preuve de bon sens lorsque vous travaillez avec l'outil électroportatif. N'utilisez pas l'outil électroportatif si vous êtes fatigué ou si vous êtes sous l'influence de drogues, de l'alcool ou de médicaments.** Un moment d'inattention lors de l'utilisation de l'outil électroportatif peut entraîner des blessures graves.
- Portez un équipement de protection individuelle et des lunettes de protection en permanence.** Le port d'un équipement de protection individuelle tel que masque contre la poussière, chaussures de sécurité antidérapantes, casque ou protection auditive, en fonction du type et de l'utilisation de l'outil électroportatif, diminue le risque de blessures.
- Évitez toute mise en service involontaire. Assurez-vous que l'outil électroportatif est déconnecté avant de le raccorder à l'alimentation électrique et/ou à la batte-**

- rie, avant de le soulever ou de le porter.** Si, en portant l'outil électroportatif, vous avez le doigt sur l'interrupteur ou si vous raccordez l'outil électroportatif connecté à l'alimentation électrique, cela peut entraîner des accidents.
- d. **Retirez les outils de réglage ou les clés anglaises avant de connecter l'outil électroportatif.** Un outil ou une clé qui se trouve dans une partie de l'outil électroportatif en rotation peut entraîner des blessures.
 - e. **Évitez toute position de travail anormale. Veillez à maintenir une position stable et un bon équilibre à tout moment.** Vous pourrez ainsi à tout moment contrôler l'outil électroportatif dans des situations inattendues.
 - f. **Portez des vêtements adaptés. Ne portez pas de vêtements amples ou de bijoux. Éloignez vos cheveux et vos vêtements des pièces en mouvement.** Des vêtements amples, des bijoux ou des cheveux longs pourraient se prendre dans les pièces en mouvement.
 - g. **Si des dispositifs d'aspiration et de récupération des poussières peuvent être montés, raccordez-les et utilisez-les correctement.** L'utilisation d'une aspiration des poussières peut diminuer les dangers dus aux poussières.
 - h. **Ne vous croyez pas faussement en sécurité et n'enfreignez pas les règles de sécurité destinées aux outils électroportatifs, même si vous maîtrisez l'outil électroportatif après de multiples utilisations.** Un manque d'attention peut en un quart de seconde entraîner de graves blessures.

4 UTILISATION ET TRAITEMENT DE L'OUTIL ÉLECTROPORTATIF

- a. **Ne surchargez pas l'outil électroportatif. Utilisez l'outil électroportatif destiné à votre travail.** L'outil électroportatif adapté vous permet de travailler mieux et avec plus de sécurité dans la plage de puissance indiquée.
- b. **N'utilisez aucun outil électroportatif dont l'interrupteur serait défectueux.** Un outil électroportatif qui ne peut plus être mis en marche ou arrêté est dangereux et doit être réparé.
- c. **Débranchez le connecteur de la prise de courant et/ou retirez une batterie amovible avant d'effectuer des réglages sur l'appareil, de remplacer des pièces d'outil**


- ou de déposer l'outil électroportatif.** Cette mesure de précaution empêche un démarrage involontaire de l'outil électroportatif.
- d. **Rangez toujours les outils électroportatifs inutilisés hors de portée des enfants. Ne laissez aucune personne à laquelle vous ne faites pas confiance ou qui n'a pas lu ces consignes se servir de l'outil électroportatif.** Les outils électroportatifs sont dangereux lorsqu'ils sont utilisés par des personnes inexpérimentées.
 - e. **Prenez soin de vos outils électroportatifs et outils. Vérifiez que les parties mobiles fonctionnent sans problème, qu'elles ne coïncent pas et qu'il n'y a pas de parties cassées ou endommagées qui pourraient entraver le bon fonctionnement de l'outil électroportatif. Faites réparer les parties endommagées avant d'utiliser l'outil électroportatif.** De nombreux accidents sont dus à un mauvais entretien des outils électroportatifs.
 - f. **Maintenez les outils de coupe affûtés et propres.** Des outils de coupe entretenus avec soin dotés de bords de coupe affûtés se coïncent moins et sont plus faciles à utiliser.
 - g. **Utilisez l'outil électroportatif, les outils, etc. en respectant ces instructions. Tenez compte des conditions de travail et de la tâche à effectuer.** L'utilisation des outils électroportatifs pour d'autres applications que celles prévues peut entraîner des situations dangereuses.
 - h. **Veillez à ce que les poignées et surfaces des poignées soient sèches, propres et exemptes d'huile ou de graisse.** Des poignées et surfaces de poignées glissantes ne permettent pas une utilisation en toute sécurité ni un contrôle de l'outil électroportatif dans des situations imprévues.

5 SERVICE

- a. **Faites réparer votre outil électroportatif uniquement par un personnel qualifié ; les réparations doivent être uniquement effectuées avec des pièces détachées d'origine,** afin de garantir la fiabilité de l'outil électroportatif.
- b. **Pour la réparation et l'entretien, n'utilisez que des pièces d'origine.** L'utilisation d'accessoires ou de pièces détachées non adaptés risque de provoquer une électrocution ou des blessures.

3.2 Consignes de sécurité spécifiques aux scies circulaires

Sciage

-  **DANGER ! N'approchez pas vos mains de la zone de sciage et de la lame de scie. Tenez la poignée supplémentaire ou le carter moteur à l'aide de votre deuxième main.** Vous éviterez tout risque de blessure avec la lame de scie si vous tenez la scie circulaire à deux mains.
- **Ne touchez pas le dessous de la pièce.** Le capot de protection ne peut pas vous protéger de la lame de scie dans la zone située au-dessous de la pièce.
- **Adaptez la profondeur de coupe à l'épaisseur de la pièce.** Les dents ne doivent pas être complètement visibles sous la pièce.
- **Ne tenez jamais la pièce à scier dans la main ou sur la jambe. Fixez la pièce sur un support stable.** Il est important de bien fixer la pièce à travailler afin de réduire les risques de contact corporel, de blocage de la lame de scie ou de perte de contrôle.
- **Si l'outil monté risque d'entrer en contact avec des câbles invisibles ou son propre câble de raccordement, tenez l'outil électroportatif par les parties isolées.** Le contact avec un câble sous tension met également les pièces métalliques de l'outil électroportatif sous tension et peut provoquer une décharge électrique.
- **Pour les coupes en longueur, utilisez toujours une butée ou une arête de guidage droite.** Ceci permet d'améliorer la précision de la coupe et de réduire les risques de blocage de la lame de scie.
- **Utilisez toujours des lames de scie présentant une taille et un trou de fixation adaptés (par ex. trou en forme de losange ou rond).** Les lames de scie qui ne sont pas adaptées aux pièces de montage de la scie tournent de manière excentrique et entraînent une perte de contrôle.
- **N'utilisez jamais de brides ou de vis de serrage détériorées ou inadaptées.** Les brides et les vis de serrage de la lame de scie ont été conçues spécialement pour votre scie afin de garantir une performance optimale ainsi que la sécurité de fonctionnement.

Causes du recul et consignes de sécurité correspondantes

- Le recul est un mouvement soudain qu'effectue la lame de scie quand elle s'accroche, se coince ou est mal alignée. La scie se soulève alors de manière incontrôlée, sort du matériau et se déplace en direction de l'utilisateur ;
- quand la lame de scie s'accroche ou se coince dans la fente de coupe qui se resserre, elle reste bloquée et la force générée par le moteur repousse l'appareil en direction de l'utilisateur ;
- Si la lame de scie se tord ou est mal alignée dans la ligne de coupe, les dents de sa partie arrière peuvent s'accrocher dans la surface de la pièce. Dans ce cas, la lame de scie est éjectée de la fente de coupe et la scie est repoussée en direction de l'utilisateur.

Le recul résulte d'une utilisation incorrecte ou inappropriée de la scie. Il peut être évité en appliquant les mesures de précaution adéquates, comme décrit ci-après.

- **Tenez fermement la scie des deux mains et placez vos bras à une position dans laquelle vous serez en mesure de résister à la force du recul. Tenez-vous toujours à côté de la lame de scie et ne placez jamais cette dernière dans l'axe de votre corps.** En cas de recul, la scie circulaire peut être projetée en arrière. Toutefois, l'utilisateur peut maîtriser la force du recul s'il a pris les mesures appropriées.
- **Si la lame de scie se coince ou que vous souhaitez interrompre votre travail, relâchez l'interrupteur marche/arrêt et maintenez la scie dans le matériau jusqu'à ce qu'elle soit complètement immobile. Ne tentez jamais de sortir la scie de la pièce ou de la tirer vers l'arrière tant que la lame de scie est en mouvement. Ceci pourrait provoquer un recul.** Déterminez la cause du blocage de la lame de scie et prenez les mesures nécessaires pour y remédier.
- **Si vous souhaitez remettre en marche une scie enfoncée dans la pièce, centrez la lame de scie dans la fente de coupe et vérifiez que les dents de la scie ne se sont pas accrochées dans la pièce.** Si la lame de scie est bloquée, il est possible qu'elle sorte de la pièce ou provoque un recul au redémarrage de la scie.

- **Placez des appuis sous les panneaux de grande taille afin de réduire le risque blocage de la lame de scie et de recul.** Les panneaux de grande taille peuvent fléchir sous leur propre poids. Les panneaux doivent être soutenus des deux côtés, près de la fente de coupe tout comme sur les bords.
- **N'utilisez pas de lames de scie émoussées ou endommagées.** En raison d'une fente de coupe trop étroite, les lames de scie dont les dents sont émoussées ou tordues provoquent une friction plus importante, un blocage de la lame de scie et un recul.
- **Avant le sciage, serrez les éléments de réglage de la profondeur et de l'angle de coupe.** En cas de changement des réglages pendant le sciage, la lame de scie peut se bloquer et provoquer un recul.
- **Soyez particulièrement prudent lors du sciage dans des parois ou d'autres zones sans visibilité.** Lors du sciage, la lame de scie peut se bloquer dans des objets invisibles et provoquer un recul.

Fonctionnement du capot de protection

- **Avant chaque utilisation, vérifiez que le capot de protection se ferme parfaitement. N'utilisez pas la scie si le capot de protection est gêné dans son mouvement et ne se ferme pas instantanément. Veillez à ne jamais bloquer ou attacher le capot de protection. Sinon, la lame de scie n'est plus protégée.** Si la scie tombe par accident sur le sol, le capot de protection risque de se déformer. Assurez-vous que le capot de protection n'est pas gêné dans son mouvement et qu'il ne touche ni la lame de scie ni d'autres pièces quels que soient l'angle et la profondeur de coupe.
- **Vérifiez l'état et le fonctionnement du ressort du capot de protection. Si le capot de protection et le ressort ne fonctionnent pas parfaitement, faites procéder à la maintenance de la scie avant de l'utiliser.** Les pièces endommagées, les dépôts collants et les accumulations de copeaux ralentissent le fonctionnement du capot de protection.
- **Pour les coupes plongeantes qui ne sont effectuées à angle droit, fixez la plaque de base de la scie de manière à empêcher tout mouvement.** Un déplacement latéral peut provoquer un blocage de la lame de scie et, par conséquent, un recul.

- **Ne posez pas la scie sur l'établi ou sur le sol sans que le capot de protection ne recouvre la lame de scie.** Une lame de scie non protégée ou encore en phase de ralentissement déplace la scie dans le sens inverse du sens de coupe et scie tout ce qui se trouve sur son chemin. Il est donc indispensable de tenir compte de la durée de ralentissement de la scie avant l'arrêt complet.

Fonctionnement du doigt de détection [1-22] (fonction KickbackStop)

- **Nettoyez lors de chaque changement de lame de scie l'unité de détection [4-9] par soufflage ou à l'aide d'un pinceau.** Une unité de détection encrassée peut altérer le fonctionnement de la fonction KickbackStop et rendre impossible le freinage de la lame de scie.
- **N'utilisez en aucun cas la scie quand le doigt de détection est déformé.** La moindre déformation suffit à ralentir le freinage de la lame de scie.

3.3 Consignes de sécurité relatives à la lame de scie prémontée

Utilisation

- La vitesse maximale indiquée sur la lame de scie ne doit pas être dépassée ou la plage de vitesse doit être respectée.
- La lame de scie prémontée est réservée pour l'utilisation dans des scies circulaires.
- Déballer, emballer et manipuler l'outil avec le plus grand soin (lors de l'installation dans la machine par ex.). Risque de blessure dû aux dents très tranchantes !
- Lors de la manipulation de l'outil, le port de gants de protection améliore la prise sur l'outil et réduit encore le risque de blessure.
- Remplacez les lames de scie circulaire fissurées. Une remise en état n'est pas autorisée.
- Les lames de scies circulaires de type composite (avec dents de scie soudées) dont l'épaisseur des dents est inférieure à 1 mm ne doivent plus être utilisées.
- **AVERTISSEMENT !** N'utilisez pas les outils avec des fissures visibles, des dents émoussées ou endommagées.

Montage et fixation

- Les outils doivent être serrés de telle sorte qu'ils ne se détachent pas pendant le travail.

- Lors du montage des outils, s'assurer que le serrage sur le moyeu de l'outil ou sur la surface de serrage de l'outil a bien lieu et que les lames n'entrent pas en contact avec les autres éléments.
- Le fait de rallonger la clé ou de la serrer avec des coups de marteau n'est pas autorisé.
- Nettoyer les salissures, la graisse, l'huile ou l'eau des surfaces de serrage.
- Serrer les vis de serrage selon les instructions du fabricant.
- Pour adapter le diamètre d'alésage des lames de scie circulaire au diamètre de la broche de la machine, seules des bagues fixes sont utilisées, par ex. : des bagues pressées ou maintenues en place par collage. L'utilisation de bagues desserrées n'est pas autorisée.

Entretien et maintenance

- Les réparations et travaux de ponçage ne doivent être effectués que par des ateliers du service après-vente Festool ou par des experts.
- Ne modifiez pas la conception de l'outil.
- Enlevez la résine et nettoyez régulièrement l'outil (produit nettoyant dont le pH est compris entre 4,5 et 8).
- Les arêtes de coupe émoussées peuvent être rectifiées sur la surface de coupe jusqu'à une épaisseur de coupe minimale de 1 mm.
- Transportez l'outil dans un emballage approprié pour éviter tout risque de blessure !

3.4 Autres consignes de sécurité




- **Portez un équipement de protection individuelle approprié :** protection auditive, lunettes de protection, masque contre la poussière pour des opérations s'accompagnant d'un dégagement de poussière.
- **Pendant l'utilisation du travail, des poussières nocives/toxiques peuvent être générées (comme les poussières de peintures au plomb et certaines poussières de bois ou de métaux).** Le contact avec ces poussières ou leur inhalation peut présenter un danger pour la santé de l'utilisateur ou des personnes se trouvant à proximité. Veuillez respecter les prescriptions de sécurité en vigueur dans votre pays.

- Pour protéger votre santé, portez une protection respiratoire appropriée. Dans les espaces clos, assurer une ventilation suffisante et raccorder un aspirateur.
- **Cet outil électroportatif ne doit pas être intégré dans une table de travail.** Le montage sur une table de travail d'un autre fabricant ou des tables réalisées par soi-même peut rendre l'outil électroportatif instable et conduire à de graves accidents.
- **Vérifiez si des éléments du carter présentent des dommages (fissures, fendillements, etc.).** Faites réparer les parties endommagées avant d'utiliser l'outil électroportatif.
- **Utilisez des appareils de détection appropriés pour repérer les câbles d'alimentation invisibles ou consultez l'entreprise de distribution locale.** Le contact de l'outil monté avec un câble sous tension peut provoquer un feu ou une décharge électrique. Une conduite de gaz endommagée peut provoquer une explosion. Le perçage dans une conduite d'eau provoque des dégâts matériels.

3.5 Sciage de l'aluminium

Pour des raisons de sécurité, prenez les mesures suivantes en cas de sciage d'aluminium :

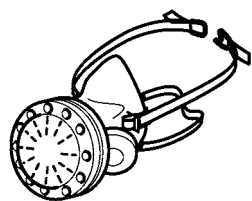
-  Portez des lunettes de protection !
- Retirez régulièrement les dépôts de poussière accumulés dans le carter moteur de l'outil électroportatif.
- Utilisez une lame de scie pour aluminium.
- Fermez la fenêtre d'inspection/le protecteur contre les projections de copeaux.
- Installer en amont un disjoncteur différentiel.
- Pour scier des panneaux, la lame doit être graissée avec de la graisse de pétrole, des profilés aux parois minces (1/8" (3 mm) max.) peuvent être traités sans graissage.

3.6 La poussière, un risque pour la santé



AVERTISSEMENT! certaines poussières créées par le ponçage mécanique, le sciage, le meulage, le perçage et autres activités liées à la construction contiennent des substances chimiques connues (dans l'État de la Californie) comme pouvant causer le cancer, des anomalies congénitales ou représenter d'autres dangers pour la reproduction. Voici quelques exemples de telles substances:

- plomb provenant de peintures à base de plomb,
- silice cristallisée utilisée dans les briques, le ciment et autres matériaux de maçonnerie, et
- arsenic et chrome du bois d'oeuvre traité avec un produit chimique.



Le risque d'exposition à de tels produits varie selon la fréquence à laquelle vous faites ce genre de travail. Pour réduire les risques d'exposition à ces substances chimiques : travaillez dans un endroit adéquatement ventilé et utilisez un équipement de sécurité approuvé, tel que masques antipoussières spécialement conçus pour filtrer les particules microscopiques.



AVERTISSEMENT

POUR RÉDUIRE LE RISQUE DE DOMMAGES, L'UTILISATEUR DOIT LIRE LE MANUEL D'INSTRUCTION.

4 Utilisation conforme

Les Plunge-cut saws sont conçues pour scier le bois et matériaux similaires, les matières fibreuses à liant plâtre et à liant ciment ainsi que les plastiques.

Les lames de scies spéciales proposées par Festool permettent également d'utiliser les machines pour scier les métaux ferreux et métaux non ferreux non trempés.

L'utilisation de l'outil électroportatif avec des matériaux contenant de l'amiante n'est pas autorisée.

N'utilisez pas de disques à tronçonner ni de disques abrasifs.



L'utilisateur est responsable des dommages provoqués par une utilisation non conforme.

4.1 Lames de scie

Seules des lames de scie conformes aux caractéristiques suivantes sont autorisées :

- Lames de scie selon EN 847-1
- Diamètre de lame 6-5/8" (168 mm)
- Largeur de coupe 5/64" (1,8 mm)
- Alésage 25/32" (20 mm)
- Épaisseur de lame 3/64" (1,2 mm)
- Utilisable pour vitesses jusqu'à 9500 min⁻¹

Les lames de scie Festool répondent à la norme EN 847-1.

Scier uniquement des matériaux pour lesquels la lame de scie utilisée a été conçue.

5 Caractéristiques techniques

Scie plongeante	TS 60 KEB
Courant nominal	13 A
Régime	3.000 - 6.800 min ⁻¹
Vitesse max. (à vide)	6.800 min ⁻¹
Position inclinée	-1° à 47°
Profondeur de coupe à 0°	0 - 2-7/16" (0 - 62 mm)
Profondeur de coupe à 45°	0 - 1-49/64" (0 - 45 mm)
Dimensions lame de scie	6-5/8 x 5/64 x 25/32" (168 x 1,8 x 20 mm)
Poids selon la procédure EPTA 01:2014 (sans le cordon d'alimentation)	10,1 lbs (4,6 kg)

6 Description fonctionnelle

- [1-1] Passage de tuyaux
- [1-2] Raccord d'aspiration
- [1-3] Boutons rotatifs pour réglage angulaire
- [1-4] Câble de raccordement secteur
- [1-5] Touche de réglage
- [1-6] Touche Fonction KickbackStop OFF
- [1-7] Loquet pour contre-dépouilles -1°
- [1-8] Régulation de la vitesse
- [1-9] Échelle angulaire
- [1-10] LED d'état de la fonction KickbackStop
- [1-11] Poignées
- [1-12] Levier pour changement de lame
- [1-13] Dispositif de marche forcée
- [1-14] Interrupteur marche/arrêt
- [1-15] Graduation double pour la butée de profondeur de coupe (avec/sans rail de guidage)
- [1-16] Vis de réglage de profondeur de coupe pour lames de scie réaffûtées

- [1-17]** Butée de profondeur de coupe
- [1-18]** Indicateur de coupe
- [1-19]** Loquet pour contre-dépouilles 47°
- [1-20]** Fenêtre d'inspection / protecteur contre les projections de copeaux
- [1-21]** Pare-éclats
- [1-22]** Doigt de détection
- [1-23]** Couvercle de protection

Les images décrivant les éléments fonctionnels se trouvent sur une page dépliante au début du manuel d'utilisation. Pendant la lecture du manuel, vous pouvez vous référer rapidement à la page en la dépliant et procéder ainsi à des comparaisons.

Les accessoires illustrés ou décrits ne font pas tous partie des éléments livrés.

7 Mise en service



AVERTISSEMENT

Tension ou fréquence non admissible !

Risque d'accident

- La tension et la fréquence d'alimentation électrique doivent être conformes aux indications de la plaque signalétique.
- En Amérique du nord, utiliser uniquement les machines Festool fonctionnant sous une tension de 120 V / 60 Hz.



Toujours éteindre la machine avant de brancher ou débrancher le câble de raccordement secteur !

7.1 Rallonge

S'il est nécessaire d'utiliser une rallonge, celle-ci doit présenter une section suffisante pour éviter une perte de tension excessive ou une surchauffe. Une perte de tension excessive réduit la puissance et peut provoquer la défaillance du moteur. Le tableau ci-dessous indique le diamètre de câble approprié en fonction de la longueur de câble pour cet outil.

Taille de câble en AWG

Intensité nominale de l'outil	Longueur de câble en pieds			
	25	50	100	150
3-6	18	16	16	14
6-8	18	16	14	12
8-10	18	16	14	12

Intensité nominale de l'outil	Longueur de câble en pieds			
	16	16	14	12
10-12	16	16	14	12
12-16	14	12	-	-

Taille de câble en mm²

Intensité nominale de l'outil	Longueur de câble en mètres			
	15	30	60	120
3-6	0,75	0,75	1,5	2,5
6-8	0,75	1,0	2,5	4,0
8-10	0,75	1,0	2,5	4,0
10-12	1,0	2,5	4,0	-
12-16	-	-	-	-

Utiliser uniquement des rallonges homologuées NRTL.

Ne jamais utiliser deux rallonges ensemble. Au lieu de cela, utiliser une rallonge plus longue.

- ⓘ Plus la valeur AWG est faible, plus le diamètre du câble est élevé.

8 Réglages



AVERTISSEMENT

Risque de blessures, décharge électrique

- Débrancher la fiche de la prise de courant avant toute intervention sur la machine !

8.1 Électronique

Régulation de la vitesse

La molette **[1-8]** permet un réglage continu de la vitesse dans la plage de régimes (voir Caractéristiques techniques). Il est ainsi possible d'adapter de manière optimale la vitesse de coupe au type de surface.

Niveau de régime selon le matériau

Bois massif (dur, tendre)	6
Panneaux de particules et panneaux durs	3 - 6
Bois stratifié, panneaux lattés, contre-plaqués et revêtus	6
Stratifiés, matières minérales	4 - 6
Panneaux de particules et de fibres à base de plâtre et de ciment	1 - 3

Niveau de régime selon le matériau

Panneaux et profilés d'aluminium jusqu'à 19/32" (15 mm) 4 - 6

Plastiques, plastiques renforcés aux fibres de verre, papier et tissu 3 - 5

Verre acrylique 4 - 5

Protection contre les surcharges

En cas de surcharge extrême de l'appareil, une protection électronique contre les surcharges protège le moteur contre tout dommage. Dans ce cas, le moteur s'arrête et redémarre une fois la surcharge éliminée. Pour la remise en service, l'appareil doit être réactivé.

Frein

La scie TS 60 KEB dispose d'un frein électronique. Après la mise à l'arrêt, le frein électronique freine et immobilise la lame de scie en 2 s environ.

Fusible thermique

En cas de température excessive du moteur, l'alimentation électrique et la vitesse sont réduites. L'outil électroportatif continue de fonctionner à puissance réduite afin de permettre un refroidissement rapide par ventilation du moteur. Après refroidissement, l'outil électroportatif redémarre automatiquement.

8.2 Réglage de la profondeur de coupe

La profondeur de coupe peut être réglée entre 0 - 2-7/16" (0 - 62 mm) au niveau de la butée de profondeur de coupe [2-1].

Le bloc de sciage peut maintenant être abaissé jusqu'à la profondeur de coupe réglée.

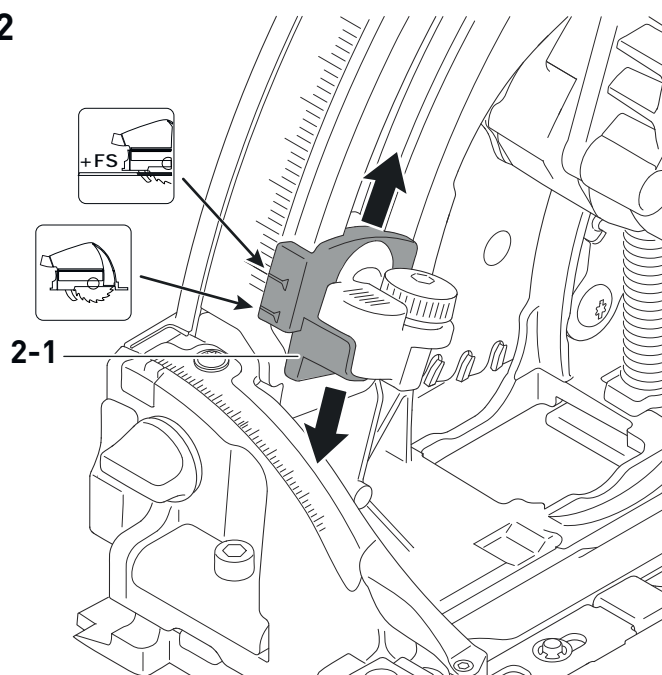


Profondeur de coupe sans rail de guidage
max. 2-7/16" (62 mm)



Profondeur de coupe avec rail de guidage FS
max. 2-1/4" (57 mm)

2



8.3 Réglage de l'angle de coupe

Entre 0° et 45°

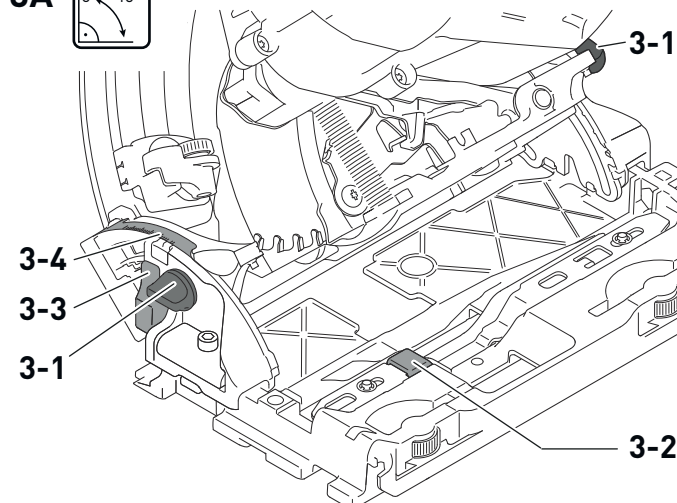
- ▶ Desserrez les boutons rotatifs [3-1].
- ▶ Basculez le bloc de sciage jusqu'à l'angle de coupe souhaité [3-4].
- ▶ Serrez les boutons rotatifs [3-1].

ⓘ Les deux positions (0° et 45°) sont réglées en usine et peuvent être réajustées par le service après-vente.



Lors des coupes en biais, placez la fenêtre d'inspection/le pare-éclats en position supérieure !

3A



Pour contre-dépouille de -1° et 47°

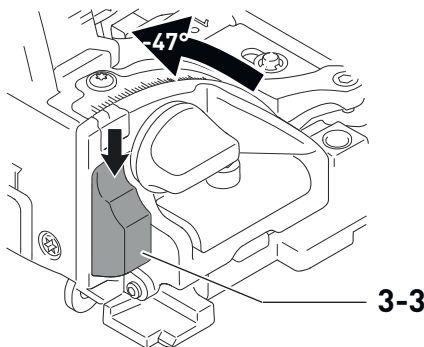
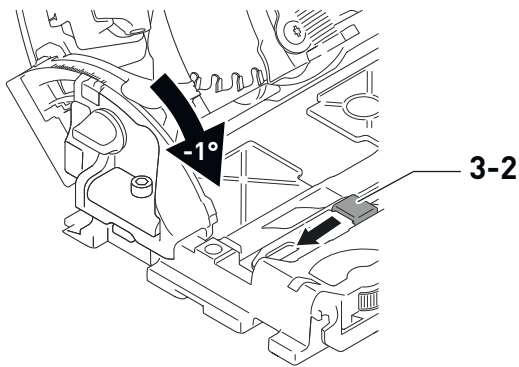
- ▶ Basculez le bloc de sciage en position finale (0°/45°) comme décrit ci-dessus.
- ▶ Pour 47°, pousser le loquet [3-3] sur le segment inclinable avant vers le bas.

- Pour -1° , pousser le loquet [3-2] dans le plateau vers l'avant.

Le bloc de sciage passe en position $-1^\circ/47^\circ$.

- Serrez les boutons rotatifs [3-1].

3B



8.4 Sélectionner la lame de scie

Les lames de scie Festool sont marquées d'un anneau de couleur. La couleur de l'anneau correspond à la matière à laquelle convient la lame de scie.

Respectez les exigences concernant les lames de scie (voir chapitre 4.1).

Couleur	Matériau	Symbôle
Jaune	Bois	
Rouge	Stratifiés, matières minérales	
Vert	Panneaux de particules et de fibres à base de plâtre et de ciment	
Bleu	Aluminium, plastiques	

8.5 Remplacement de la lame de scie [4]



AVERTISSEMENT

Risque de blessures, décharge électrique

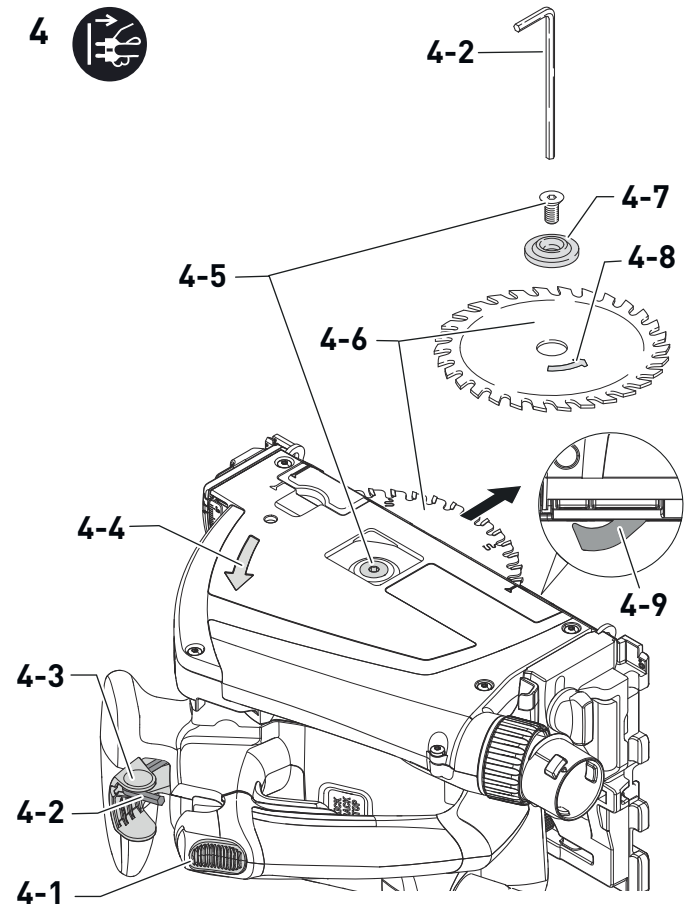
- Débrancher la fiche de la prise de courant avant toute intervention sur la machine !



ATTENTION

Risque de blessures dû à l'outil d'usinage chaud et tranchant

- Ne pas monter d'outils d'usinage émoussés ou défectueux.
- Se munir de gants de protection pour manipuler l'outil d'usinage.



Retrait de la lame de scie

- Avant le remplacement de la lame de scie, basculez la scie en position 0° et réglez la profondeur de coupe maximale.
- Rabattez le levier [4-3] jusqu'en butée. Actionnez le levier **uniquement à l'arrêt de la scie** !
- Appuyez sur le bloc de sciage jusqu'en butée.
- Posez la scie latéralement sur un support fixe. Côté de la lame de scie vers le haut.
- Desserrez la vis [4-5] avec la clé pour vis six pans creux [4-2].
- Retirez la lame de scie [4-6].

Nettoyage de l'unité de détection

AVERTISSEMENT ! Une unité de détection encrassée peut altérer le fonctionnement de la fonction KickbackStop et rendre impossible le freinage de la lame de scie.

- ▶ Maintenez le bloc de sciage par la poignée, fermez le levier [4-3] et poussez le bloc de sciage à fond vers le bas.
- ▶ Ouvrez à nouveau le levier [4-3] et laissez le bloc de sciage s'enclencher.
- ▶ Nettoyez l'unité de détection [4-9] par soufflage ou à l'aide d'un pinceau.

Montage de la lame de scie

AVERTISSEMENT ! Vérifiez l'absence de saletés sur les vis et la bride et n'utilisez que des pièces propres et intactes !

- ▶ Maintenez le bloc de sciage par la poignée et actionnez le levier [4-3] jusqu'en butée.
- ▶ Appuyez sur le bloc de sciage jusqu'en butée.
- ▶ Insérez une nouvelle lame de scie.

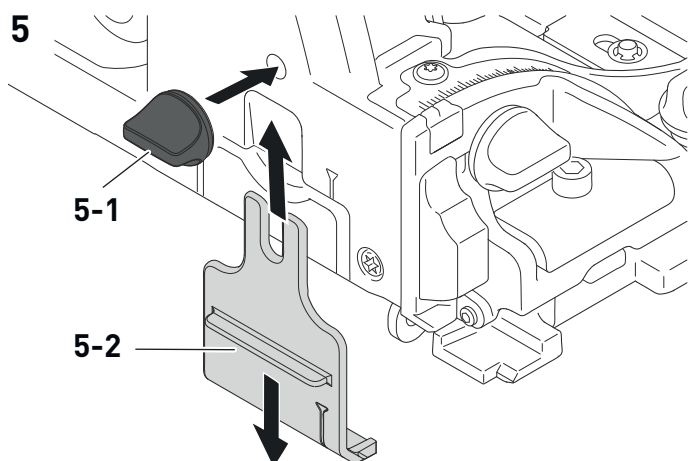
AVERTISSEMENT ! La lame de scie [4-8] et la scie [4-4] doivent tourner dans le même sens ! Il y a sinon un risque de blessures graves.

- ▶ Insérez la bride extérieure [4-7] de sorte que les ergots d'entraînement s'engagent dans l'évidement de la bride intérieure.
- ▶ Serrez la vis [4-5].
- ▶ Maintenez le bloc de sciage par la poignée, fermez le levier [4-3] et ramenez le bloc de sciage vers le haut.

8.6 Utiliser le pare-éclats [5]

Lors de coupes à 0°, le **pare-éclats** (vert) [5-2] améliore en outre la qualité de l'arête de coupe sur la face supérieure de la pièce sciée.

- ▶ Installez le pare-éclats [5-2].
- ▶ Vissez le bouton rotatif [5-1] dans le trou dans la fenêtre d'inspection.
- ▶ **ATTENTION ! Utilisez uniquement le bouton rotatif fourni avec votre scie plongeante.** Le bouton rotatif d'une autre scie peut être trop long et bloquer la lame de scie.



Entaillage du pare-éclats

Avant la première utilisation, il est nécessaire d'entailler le pare-éclats :

- ▶ Réglez la machine sur la profondeur de coupe maximale.
- ▶ Réglez la vitesse de la machine en position 6.
- ▶ Pour entailler le pare-éclats, posez la machine sur une chute de bois.

8.7 Aspiration



AVERTISSEMENT

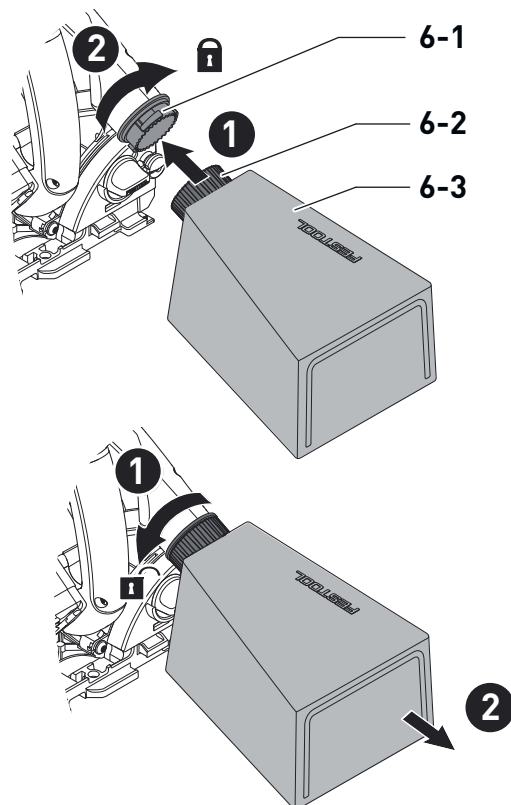
Risques pour la santé dus aux poussières

- ▶ Ne jamais travailler sans aspirateur.
- ▶ Utiliser uniquement un aspirateur conçu pour collecter le type spécifique de poussières et particules provenant du matériau coupé.
- ▶ Respecter les réglementations de l'OSHA et de la NFPA pour garantir un environnement de travail sûr.

Aspiration intégrée

- ▶ Fixer la pièce de raccordement [6-2] du sac à poussière [6-3] au manchon d'aspiration [6-1] par une rotation à droite.
- ▶ Pour le vidage, retirer la pièce de raccordement du sac à poussière du manchon d'aspiration par une rotation à gauche.

6A



Les bourrages dans le capot de protection risquent d'altérer les fonctions de sécurité. Pour éviter les bourrages, nous conseillons de travailler avec un aspirateur fonctionnant avec la pleine puissance d'aspiration.

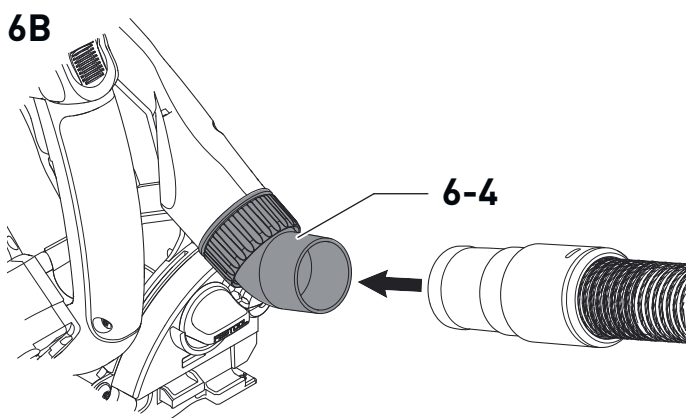
Le sciage (par ex. de panneaux de fibres moyenne densité) peut générer l'accumulation de charges électrostatiques. Travaillez alors avec un aspirateur et un tuyau d'aspiration anti-statique.

Aspirateur Festool


Le raccord d'aspiration **[6-1]** permet de raccorder un aspirateur Festool équipé d'un tuyau de 1-1/16"/1-17/64" (27/32 mm) ou 1-7/16" (36 mm) de diamètre (conseil : un tuyau de 36 mm de diamètre réduit le risque de colmatage).

La pièce de raccordement d'un tuyau d'aspiration Ø 1-1/16" (27 mm) est placée dans la pièce coudée **[6-4]**. La pièce de raccordement d'un tuyau d'aspiration Ø 1-7/16" (36 mm) est placée sur la pièce coudée **[6-4]**.

ATTENTION ! Si vous n'utilisez pas de tuyau d'aspiration antistatique, une accumulation d'électricité statique est possible. L'utilisateur risque alors de subir un choc électrique et l'électronique de l'outil électroportatif risque d'être endommagée.



9 Utilisation de l'outil électroportatif

 Pendant l'utilisation, respectez toutes les consignes de sécurité indiquées ci-avant ainsi que les règles suivantes :

Avant de commencer

- Vérifiez avant chaque utilisation si l'unité d'entraînement avec la lame de scie bascule bien à nouveau vers le haut jusque dans sa position d'origine dans le carter de protection. N'utilisez pas la scie si la lame ne

revient pas complètement vers le haut. Ne bloquez ou ne fixez jamais l'unité d'entraînement pivotante dans une profondeur de coupe particulière. La lame de scie ne serait alors pas protégée.

- Vérifiez avant chaque utilisation le bon fonctionnement du dispositif de plongée et utilisez la machine uniquement s'il fonctionne correctement.
- Vérifier la bonne fixation de la lame de scie.
- Vérifiez la fonction KickbackStop avant chaque utilisation de la scie (voir chapitre 9.11).
- Assurez-vous avant l'utilisation que le bouton rotatif **[1-3]** est serré.
- Assurez-vous que le tuyau d'aspiration et le câble secteur ne se coincent à aucun moment de la coupe, que ce soit sur la pièce, sur le support de pièce ou entre des objets sur le sol.

Pendant l'utilisation

- Veillez à ce que le plateau de la scie repose toujours complètement contre la pièce.
- Pendant l'utilisation, **tenez toujours l'outil électroportatif des deux mains** par les poignées **[1-11]**. Cela est indispensable pour un travail précis et la réalisation de coupes plongeantes. Plongez la lame dans la pièce lentement et avec un mouvement régulier.
- Guider l'outil électroportatif contre la pièce à travailler seulement quand celui-ci est activé.
- Poussez toujours la scie vers l'avant **[11-2]**, **jamais vers l'arrière** vers vous.
- En sélectionnant une vitesse d'avance adaptée, vous évitez une surchauffe des arêtes de coupe de la lame de scie et, dans le cas de coupes de matières plastiques, une fusion du plastique. Plus le matériau à scier est dur, plus la vitesse d'avance doit être faible.
- N'utilisez pas la machine si l'électronique est défectueuse car elle peut alors se mettre à tourner à des vitesses excessives. La défectuosité du système électronique est reconnaissable à l'absence de démarrage progressif, une défaillance de la régulation de vitesse et un dégagement de fumée ou d'odeur de combustion de la machine.

9.1 Signaux d'avertissement sonores

Des signaux d'avertissement sonores retentissent lors des états de fonctionnement suivants et la machine s'arrête :



peep — —

Appareil surchargé

- Réduire la charge sur l'outil.

9.2 Mise en marche/à l'arrêt

L'actionnement du bouton de sécurité anti-déclenchement a pour effet de déverrouiller le dispositif de plongée.

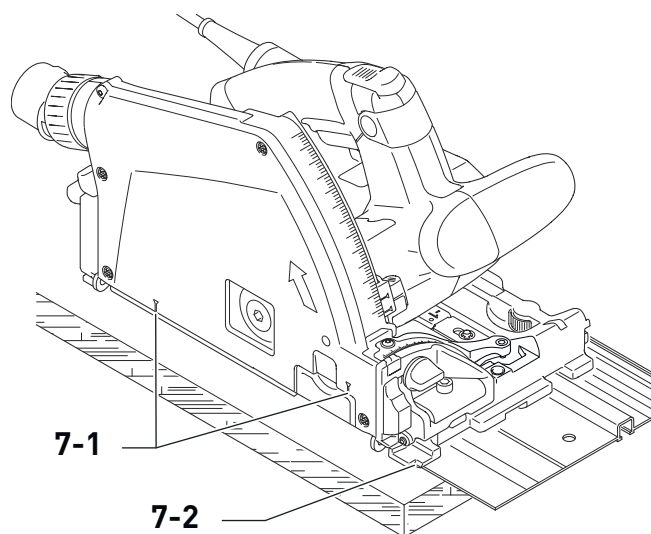
- Poussez le bouton de sécurité anti-déclenchement [1-13] vers le haut et appuyez sur l'interrupteur marche/arrêt [1-14] (pression = marche, relâchement = arrêt).

Le bloc de sciage peut être déplacé vers le bas. Lors du déplacement, la lame de scie sort du capot de protection.

9.3 Sciage d'après tracé

L'indicateur de coupe [7-2] affiche le déroulement de coupe en pas de 0° et 45° (sans rail de guidage).

7



9.4 Réalisation de coupes droites

Placer l'outil avec la partie avant de la table de sciage sur la pièce à travailler, brancher l'outil, appuyer vers le bas sur la profondeur de coupe réglée et avancer en direction de la coupe.

9.5 Réalisation de découpes (coupes plongeantes)



Afin d'éviter tout risque de recul, il est impératif d'appliquer les consignes suivantes lors des coupes plongeantes :

- Placez toujours le bord arrière de la table de sciage de la machine contre une butée solidement fixée.
- Pour travailler avec le rail de guidage, placez la machine contre la butée anti-recul FS-RSP (accessoire) [11-4], à fixer sur le rail de guidage.

Marche à suivre

- Posez la machine sur la pièce et placez-la contre une butée (butée anti-recul).
- Mettez la machine en marche.
- Abaissez lentement la machine à la profondeur de coupe réglée et avancez-la dans le sens de coupe.

À la profondeur de coupe maximale et en combinaison avec le rail de guidage, les marques [7-1] indiquent les points de coupe de la lame de scie (Ø 6-5/8" (168 mm)) situés le plus en avant et le plus en arrière.

9.6 Panneaux de fibres à liant plâtre et à liant ciment

En raison de la quantité élevée de poussières, nous vous recommandons d'utiliser le couvercle ABSA-TS55/60 (accessoires) monté latéralement sur le capot de protection et un aspirateur Festool.

9.7 Fonction KickbackStop



AVERTISSEMENT

Risque de blessures

La fonction KickbackStop ne peut pas exclure totalement tout mouvement de recul.

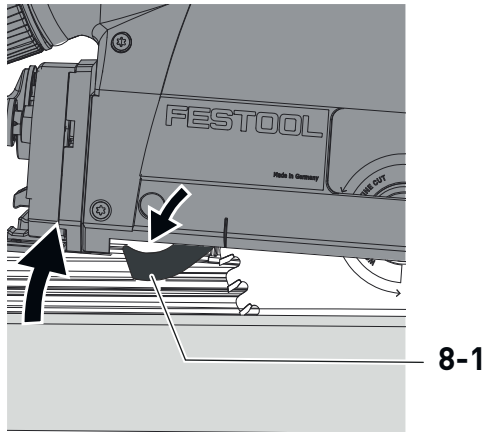
- Restez toujours bien concentré et respectez toutes les consignes de sécurité et tous les avertissements.

Un mouvement de recul pendant l'utilisation peut provoquer le soulèvement involontaire de la scie.

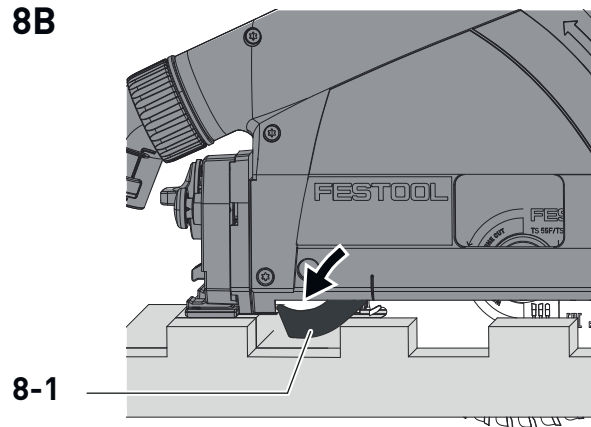
Le doigt de détection [8-1] détecte en cours d'utilisation tout soulèvement involontaire (recul) de la scie sur la pièce ou le rail et déclenche alors un freinage très rapide de la lame de scie (figure [8A]).

Le risque de recul intempestif de la scie est alors réduit. Mais il ne peut toutefois pas être totalement exclu.

8A



8B



LED d'état de la fonction KickbackStop

Couleur	Signification
Vert	La fonction KickbackStop est active.
Orange	La fonction KickbackStop est désactivée.
Clignote en orange	La fonction KickbackStop n'est pas active. La scie a été démarrée avant que le doigt de détection ait été appliqué contre la pièce ou un rail de guidage. Le plateau de la scie ne repose pas entièrement contre la pièce. Une fois que le plateau appuie sur toute sa surface, la LED s'allume en vert. Si ce n'est pas le cas, vérifiez la fonction KickbackStop (voir chapitre 9.11)
Clignote en rouge	La fonction KickbackStop s'est déclenchée.

9.8 Déclenchement involontaire de la fonction KickbackStop

Lors d'une utilisation sans rail de guidage et sur les pièces non planes, la fonction KickbackStop risque de se déclencher involontairement (figure [8B]).

Le doigt de détection [8-1] se déplace le long de la pièce. Un renforcement ou un creux dans la pièce a le même effet pour le doigt de détection que si la scie se soulève de la pièce ou du rail de guidage. Il y a alors déclenchement de la fonction KickbackStop. Il peut alors s'avérer nécessaire de travailler sans la fonction KickbackStop (voir chapitre 9.10).

9.9 Marche à suivre après le déclenchement de la fonction KickbackStop

Déclenchement par soulèvement involontaire (recul)

- Déterminez la cause du soulèvement et faites en sorte qu'il ne se produise plus.
- Vérifiez l'état de l'outil électroportatif.
- Vérifiez l'état du doigt de détection.
- Contrôle de la fonction KickbackStop (voir chapitre 9.11).

Après un déclenchement involontaire de la fonction KickbackStop

- Relâchez l'interrupteur MARCHE/ARRÊT et attendez que la LED d'état de la fonction KickbackStop ne clignote plus.
- Vérifiez s'il s'agissait vraiment d'un déclenchement involontaire de la fonction KickbackStop (voir chapitre 9.8) ou s'il y a bien eu un recul de la scie.
- Essayez à nouveau de travailler avec la fonction KickbackStop activée. Ne désactivez la fonction KickbackStop que si vous travaillez sans rail de guidage et pour les pièces non planes sur lesquelles la fonction KickbackStop se déclencherait involontairement de façon répétée (voir chapitre 9.10).

9.10 Travail sans la fonction KickbackStop



AVERTISSEMENT

Risque de blessures

Quand la fonction KickbackStop est désactivée, la lame de scie n'est pas freinée en cas de soulèvement involontaire de la scie.

- Ne désactivez la fonction KickbackStop que si vous travaillez sans rail de guidage et pour les pièces non planes sur lesquelles la fonction KickbackStop se déclencherait involontairement de façon répétée.

Désactivation de la fonction KickbackStop

- ▶ Actionnez la touche Fonction KickbackStop OFF.
- ▶ Actionnez l'interrupteur MARCHE/ARRÊT dans les 10 s et maintenez-le actionné.

La fonction KickbackStop reste désactivé jusqu'au prochain relâchement de l'interrupteur MARCHE/ARRÊT.

- ⓘ La fonction KickbackStop ne peut être désactivée qu'avant la mise en marche de la scie.

9.11 Contrôle de la fonction KickbackStop



AVERTISSEMENT

Risques de blessures dus à la lame de scie en saillie.

- ▶ Effectuer un test de fonctionnement sur le rail de guidage.
- ▶ Avant le test de fonctionnement :
 - Démontez la lame de scie,
 - Régler la profondeur de coupe sur 0" (0 mm) (rail de guidage).
- ▶ Régler la profondeur de coupe sur 0" (0 mm) (rail de guidage).
- ▶ Placer l'appareil sur le rail de guidage.
- ▶ Mettre l'appareil en marche .
- ▶ En l'espace de 5 s, appuyer 4 fois sur la touche Fonction KickbackStop OFF à des intervalles d'au moins 0,5 s.

Le témoin LED d'état de la fonction KickbackStop clignote alternativement en rouge et en vert.

- ▶ En l'espace de 15 s
 - ▷ Abaisser le bloc de sciage.
 - ▷ Soulever puis rabaisser la partie arrière de l'appareil.

Un signal sonore retentit, le témoin LED d'état s'allume en vert. La fonction KickbackStop fonctionne correctement.

Si aucun signal sonore ne retentit et que le témoin LED d'état ne s'allume pas en vert, la fonction KickbackStop ne fonctionne pas correctement.

- ▶ Vérifier que le test de fonctionnement a été effectué correctement.
- ▶ Nettoyer l'unité de détection derrière la lame de scie (voir Remplacement de la lame de scie).

Si le test de fonctionnement continue à échouer, l'appareil ne doit plus être utilisé. Adressez-

vous à votre atelier de service après-vente Festool.

10 Maintenance et entretien



AVERTISSEMENT

Tout travail de maintenance ou de réparation, qui nécessite l'ouverture du moteur ou du carter d'engrenages doit uniquement être effectué par un centre service-client autorisé (nom fourni par votre revendeur) !

- ▶ Les travaux de maintenance ou de réparation effectués par un personnel non autorisé peuvent conduire à la mauvaise connexion de câbles d'alimentation ou d'autres composants, ce qui peut entraîner à son tour des accidents avec des conséquences graves.



AVERTISSEMENT

Pour éviter les accidents, retirez toujours la fiche mâle de la prise d'alimentation électrique avant d'effectuer tout travail de maintenance ou de réparation sur la machine !

- ▶ N'utilisez pas d'air comprimé pour nettoyer l'outil électrique ! N'essayez pas de nettoyer des parties à l'intérieur de la machine de cette façon, étant donné que des corps étrangers pourraient pénétrer dans les ouvertures du carter de la machine.



ATTENTION

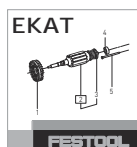
Certains produits nettoyants et solvants sont nocifs pour les pièces en plastique.

- ▶ Quelques exemples de produit nocif : essence, acétone, méthyléthylcétone (MEK), chlorure de carbonyle, solutions nettoyantes contenant du chlore, de l'ammoniac et les produits ménagers contenant de l'ammoniac.



Service après-vente et réparation uniquement par le fabricant ou des ateliers homologués. Pour trouver l'adresse la plus proche :

www.festoolusa.com/service



Utiliser uniquement des pièces détachées Festool d'origine ! Réf. sur :

www.festoolusa.com/service

Respecter les consignes suivantes :

- ▶ Sauf indication contraire dans la notice d'utilisation, les dispositifs de protection et

pièces endommagés (p. ex. un levier de changement d'outil **[1-12]**) doivent être réparés ou remplacés dans les règles de l'art par un atelier spécialisé agréé.

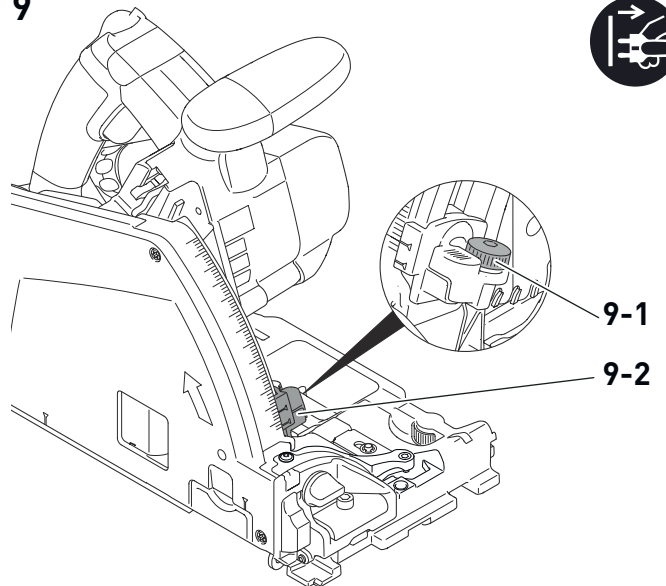
- ▶ Contrôlez l'état et le bon fonctionnement du ressort de rappel qui ramène l'unité d'entraînement complète dans la position de butée supérieure protégée.
- ▶ Pour garantir la circulation de l'air, les ouïes de ventilation sur le boîtier doivent toujours rester propres et dégagées.
- ▶ Aspirez tous les orifices pour retirer les éclats et copeaux de l'outil électroportatif. N'ouvrez jamais le couvercle de protection **[1-23]**.
- ▶ En cas d'utilisation sur des panneaux de fibres à liant plâtre et à liant ciment, nettoyer très soigneusement l'appareil. Nettoyez les ouvertures de ventilation de l'outil électroportatif et de l'interrupteur marche/arrêt avec de l'air comprimé sec et sans huile. Sinon, de la poussière contenant du plâtre peut se déposer dans le boîtier de l'outil électroportatif de même que sur l'interrupteur marche/arrêt, puis durcir sous l'effet de l'humidité de l'air. Ceci peut compromettre le bon fonctionnement du mécanisme de commutation.
- ▶ Vérifier que les avertissements figurant sur l'outil électroportatif sont lisibles et au complet. Remplacer les avertissements manquants ou illisibles.

10.1 Lames de scie réaffûtées

La vis de réglage **[9-1]** permet de régler avec précision la profondeur de coupe des lames de scie réaffûtées.

- ▶ Réglez la butée de profondeur de coupe **[9-2]** sur 0" (0 mm) (avec rail de guidage).
- ▶ Déverrouillez le bloc de sciage et abaissez-le jusqu'en butée.
- ▶ Vissez la vis de réglage **[9-1]** jusqu'à ce que la lame de scie touche la pièce.

9



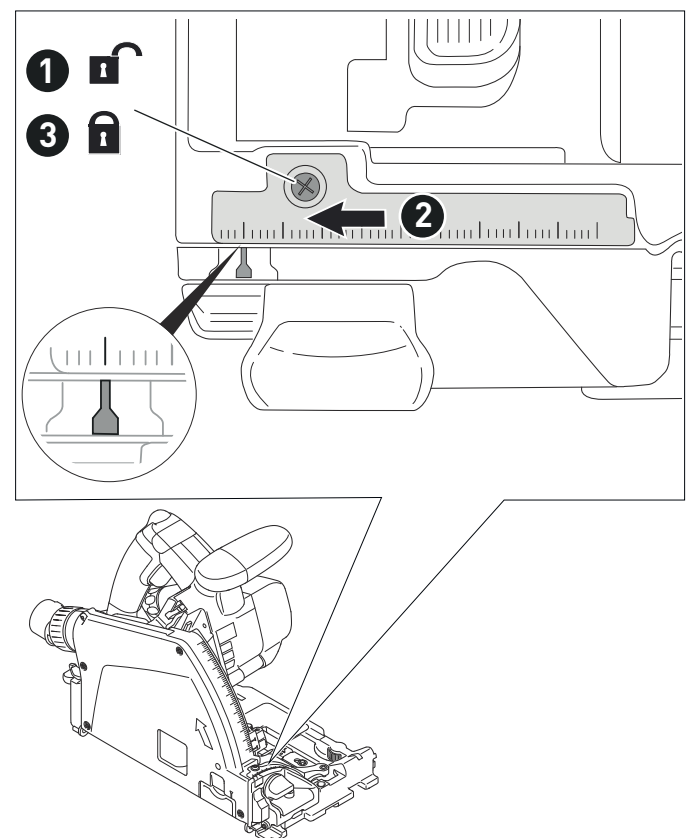
10.2 La table de sciage n'est pas stable

- ⓘ Lors du réglage de l'angle de coupe, la table de sciage doit reposer sur une surface plane.
- ▶ Si la table de sciage n'est pas stable, le réglage doit être recommencé.

10.3 Orienter l'échelle angulaire

Voir l'illustration **[10]**.

10



11 Accessoires

N'utiliser que des accessoires et consommables homologués par Festool. Voir catalogue Festool ou www.festoolusa.com.

L'utilisation d'autres accessoires et consommables peut rendre l'outil électroportatif instable et entraîner de graves accidents.

Outre les accessoires décrits, Festool propose des accessoires système complets, vous permettant une utilisation polyvalente et efficace de votre machine, p. ex. :

- Guide parallèle PA-TS 60
- Cache latéral, joints d'ajourages ABSA-TS 55/60
- Butée anti-recul FS-RSP
- Guide parallèle FS-PA et rallonge FS-PA-VL
- Butée angulaire FS-WA
- Table de sciage et de travail mobile STM 1800
- Table multifonctions MFT 3

11.1 Lames de scie, autres accessoires

Afin de pouvoir découper rapidement et proprement différents matériaux, Festool propose des lames de scie spécialement adaptées à la scie Festool et à tous les cas d'utilisation.

11.2 Système de guidage

Le rail de guidage permet d'obtenir des coupes précises et nettes. Il protège par ailleurs la surface de la pièce contre tout dommage.

En combinaison avec les nombreux accessoires proposés, le système de guidage permet d'effectuer des coupes en biais, des coupes d'onglet et des opérations d'ajustage précises. La possibilité de fixation au moyen de serre-joints **[11-5]** garantit un maintien fiable et un travail en toute sécurité.

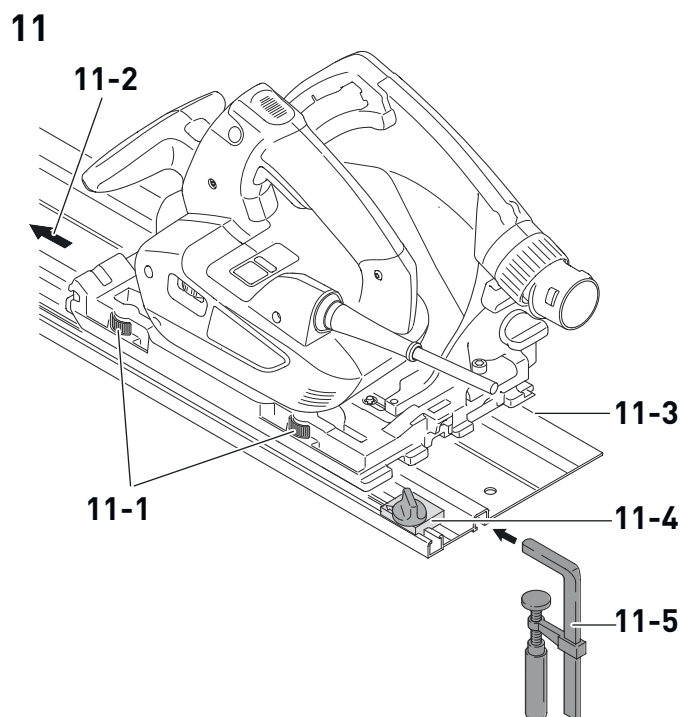
- ▶ Régler le jeu de guidage de la table de sciage sur le rail de guidage avec les deux touches de réglage **[11-1]**.

Avant la première utilisation du rail de guidage, sciez le pare-éclats **[11-3]** :

- ▶ Réglez la vitesse de la machine sur le niveau 6.
- ▶ Placez la plaque de guidage entière de la machine sur l'extrémité arrière du rail de guidage.
- ▶ Mettez la machine en marche.
- ▶ Abaissez lentement la machine jusqu'à la profondeur de coupe max. réglée et sciez le pare-éclats sur toute la longueur sans vous arrêter.

L'arête du pare-éclats correspond alors exactement à l'arête de coupe.

- ① Pour entailler le pare-éclats, posez le rail de guidage sur une chute de bois.



11.3 Rail de coupe d'onglet

Le rail de coupe d'onglet est destiné au sciage de bois et de panneaux.

Il permet des coupes précises et nettes. Les coupes en biais, notamment, sont réalisables facilement et avec une grande précision de répétabilité. La scie revient automatiquement dans sa position de départ une fois la coupe terminée.

Respecter la notice d'utilisation du rail de coupe d'onglet FSK

11.4 SYSTAINER

Systainer

De nombreux produits Festool sont fournis dans une caisse exclusive, appelée "Systainer". Celle-ci permet de protéger et de ranger des outils et des appareils complémentaires. Les Systainer sont empilables et peuvent être solidarisés. En outre, il se fixent sur les aspirateurs CT Festool.

Pour ouvrir le Systainer



Tournez le T-loc **[SYS-b-1]** à cette position.

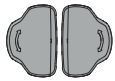
Pour fermer le Systainer



Tournez le T-loc **[SYS-b-1]** à cette position.

Pour connecter deux Systainers

Placez un Systainer au dessus de l'autre [SYS-a].

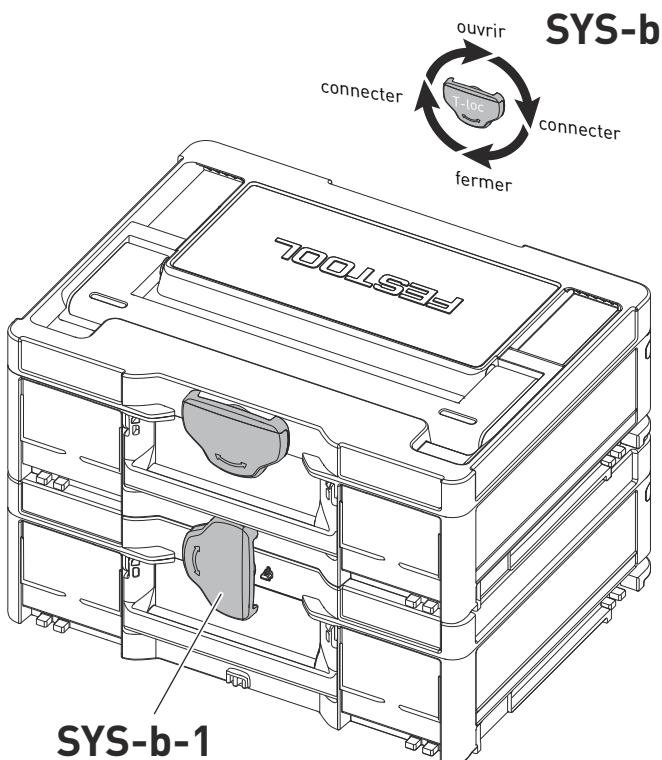
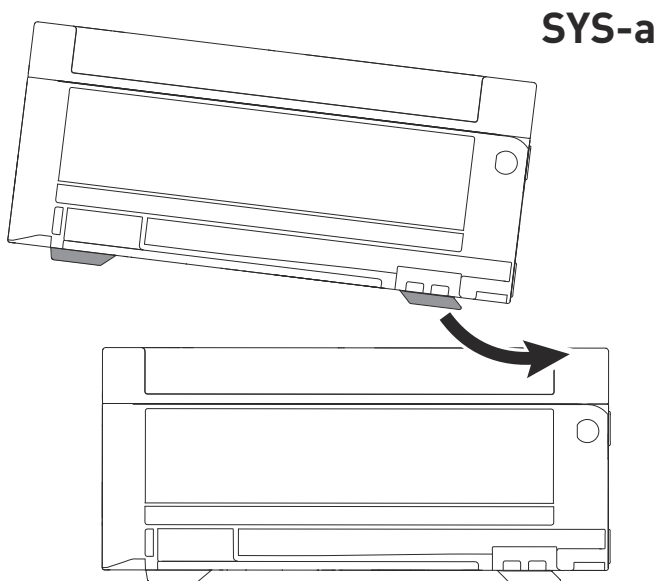


Tournez le T-loc [SYS-b-1] à une de cette positions (Fig. [SYS-b]).

Les Systainers sont combinés.

① Un Systainer Classic Line peut être relié par en bas à un Systainer T-Loc ou à un Systainer³ avec ses quatre éléments de verrouillage

Un Systainer T-Loc peut être relié à un Systainer³ à la fois par le bas et par le haut.



12 Environnement

Ne jetez pas l'appareil avec les ordures ménagères ! Éliminez l'appareil, les accessoires et les emballages de façon compatible avec l'environnement. Respectez les prescriptions nationales en vigueur.

13 Remarques générales

13.1 Informations relatives à la protection des données

L'outil électroportatif contient une puce permettant l'enregistrement automatique des données d'outil et de fonctionnement. Les données enregistrées ne contiennent aucune référence directe aux personnes.

Les données peuvent être lues sans contact à l'aide d'appareils spéciaux. Elles sont utilisées par Festool uniquement pour le diagnostic d'erreurs, la gestion des réparations et de la garantie, ainsi que pour l'amélioration de la qualité et/ou le perfectionnement de l'outil électroportatif. Toute utilisation des données dépassant ce cadre – sans l'accord exprès du client – est exclue.

Índice de contenidos

1	Sobre este manual.....	42
2	Símbolos.....	42
3	Indicaciones de seguridad.....	43
4	Uso conforme a lo previsto.....	48
5	Datos técnicos.....	48
6	Descripción de las funciones.....	48
7	Puesta en servicio.....	49
8	Ajustes.....	49
9	Trabajo con la herramienta eléctrica.....	53
10	Mantenimiento y limpieza.....	57
11	Accesorios.....	58
12	Medio ambiente.....	59
13	Observaciones generales.....	60

1 Sobre este manual

Guarde estas instrucciones

Es importante que usted lea y entienda este manual. La información que contiene se relaciona con la protección de **su seguridad y la prevención de problemas**. Los símbolos que siguen se utilizan para ayudarlo a reconocer esta información.



PELIGRO

Descripción de peligro inminente y fracaso para evitar riesgos que podran causar la muerte.



ADVERTENCIA

Descripción de peligro y posibles lesiones resultantes o la muerte.



PRECAUCIÓN

Descripción de peligro y posibles lesiones resultantes.

AVISO

Descripción de los posibles daños en el dispositivo o en su entorno.

2 Símbolos



Aviso de peligro general



Peligro de electrocución



¡Leer el manual de instrucciones y las indicaciones de seguridad!



Usar protección para los oídos



Deben usarse guantes de protección al cambiar de herramienta.



Utilizar protección respiratoria.



Utilizar gafas de protección



Desenchufar



Desconexión del cable de conexión a red



Conexión del cable de conexión a la red eléctrica



Sentido de giro de la sierra y de la hoja de sierra



Función KickbackStop



La herramienta cuenta con un chip para el almacenamiento de datos. Ver apartado 13.1



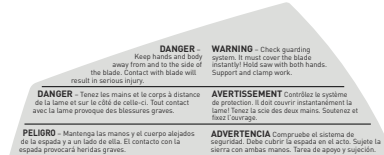
Guía de procedimiento



Consejo, indicación



Clase de protección II



PELIGRO Mantenga las manos y el cuerpo alejados de la espada y a un lado de ella. El contacto con la espada provocará heridas graves.

ADVERTENCIA Compruebe el sistema de seguridad. Debe cubrir la espada en el acto. Sujete la sierra con ambas manos. Tarea de apoyo y sujeción.

W Vatio

V Voltio

A Amperios

Hz Hertzios

~ Tensión alterna

a.c.

— tensión continua

d.c


n_0 Revoluciones por minuto en vacío

min^{-1} Revoluciones por minuto

"	Pulgada
mm	Milímetro
lb.	Libras
kg	Kilogramo
∅	Diámetro
°	grado angular

3 Indicaciones de seguridad

3.1 Indicaciones de seguridad generales para herramientas eléctricas

 **¡ADVERTENCIA!** Leer todas las indicaciones de seguridad, instrucciones, ilustraciones y datos técnicos que acompañan a esta herramienta eléctrica. Si no se cumplen debidamente las instrucciones siguientes, puede producirse una descarga eléctrica, quemaduras o lesiones graves.

Guarde todas las indicaciones de seguridad e instrucciones para que sirvan de futura referencia.

El término «herramienta eléctrica» empleado en las indicaciones de seguridad hace referencia a herramientas eléctricas conectadas a la red eléctrica (con un cable de red) o a herramientas eléctricas alimentadas con batería (sin cable de red).

1 SEGURIDAD EN EL LUGAR DE TRABAJO

- Mantenga su zona de trabajo limpia y bien iluminada.** El desorden o la falta de iluminación en las zonas de trabajo pueden dar lugar a accidentes.
- No trabaje con la herramienta eléctrica en entornos potencialmente explosivos donde se encuentren líquidos, gases o polvos inflamables.** Las herramientas eléctricas producen chispas que pueden inflamar el polvo o los vapores.
- Mantenga a niños y adultos alejados de la herramienta eléctrica durante el uso.** Si se distrae, puede perder el control de la herramienta eléctrica.

2 SEGURIDAD ELÉCTRICA

- El conector de la herramienta eléctrica debe encajar en el enchufe. El conector no debe modificarse en modo alguno. No utilice conectores adaptadores con herramientas eléctricas con puesta a tierra.** Unos conectores intactos y unos enchufes

adecuados reducen el riesgo de descarga eléctrica.

- Evite el contacto físico con superficies con puesta a tierra como las de tuberías, calefacciones, cocinas y frigoríficos.** Existe un riesgo elevado de descarga eléctrica si su cuerpo está en contacto con la tierra.
- Mantenga las herramientas eléctricas lejos de la lluvia y la humedad.** La penetración de agua en una herramienta eléctrica aumenta el riesgo de descarga eléctrica.
- No utilice el cable de conexión para transportar o colgar la herramienta eléctrica ni para extraer el conector del enchufe. Mantenga el cable de conexión alejado del calor, aceite, cantos afilados o piezas en movimiento.** Los cables de conexión dañados o enredados aumentan el riesgo de descarga eléctrica.
- Si trabaja con una herramienta eléctrica al aire libre, utilice únicamente alargadores aptos para el uso en exteriores.** El empleo de alargadores aptos para el uso en exteriores reduce el riesgo de descarga eléctrica.
- Cuando sea inevitable el uso de la herramienta eléctrica en un entorno húmedo, utilice un interruptor diferencial.** El uso de un interruptor diferencial reduce el riesgo de que se produzca una descarga eléctrica.

3 SEGURIDAD DE LAS PERSONAS

- Sea cuidadoso, preste atención a lo que está haciendo y actúe con prudencia al trabajar con herramientas eléctricas. No utilice ninguna herramienta eléctrica si está cansado o bajo los efectos de drogas, alcohol o medicamentos.** Una mínima distracción mientras está utilizando la herramienta eléctrica puede ocasionarle graves lesiones.
- Lleve puesto el equipo de protección individual y utilice gafas de protección en todo momento.** El empleo del equipamiento de protección personal como p. ej. mascarilla, guantes de seguridad antideslizantes, casco o protección de oídos, según el tipo y la aplicación de la herramienta eléctrica, reduce el riesgo de lesiones.
- Evite un arranque accidental de la herramienta. Asegúrese de que está desconectada antes de conectarla al suministro de corriente o la batería, recogerla o transportarla.** Existe peligro de accidente si transporta la herramienta eléctrica con el

- dedo sobre el interruptor o si conecta la herramienta eléctrica a la red estando encendida.
- d. **Retire las herramientas de ajuste y las llaves de tornillos antes de conectar la herramienta eléctrica.** Si una herramienta o llave se encuentra en una pieza en movimiento de la herramienta eléctrica, pueden producirse lesiones.
 - e. **Evite una postura anormal del cuerpo. Procure un apoyo seguro y mantenga el equilibrio en todo momento.** De esta manera podrá controlar mejor la herramienta eléctrica en situaciones inesperadas.
 - f. **Utilice ropa adecuada. No utilice ropa ancha ni objetos de joyería o bisutería. Mantenga el pelo y la ropa alejados de las piezas en movimiento.** La ropa holgada, las joyas o el pelo largo pueden quedar atrapados por piezas en movimiento.
 - g. **Si se montan dispositivos de aspiración o recogida de polvo, estos deberán conectarse y utilizarse correctamente.** El empleo de un sistema de aspiración del polvo puede disminuir los peligros a causa del polvo.
 - h. **No se cree un falso sentido de la seguridad ni ignore las normas de seguridad de las herramientas eléctricas, ni siquiera si está muy familiarizado con el uso de la herramienta.** Una distracción durante el manejo puede derivar en graves lesiones en cuestión de pocas fracciones de segundo.

4 USO Y MANEJO DE LA HERRAMIENTA ELÉCTRICA

- a. **No sobrecargue la herramienta eléctrica. Utilice la herramienta eléctrica adecuada para el trabajo que va a realizar.** Con la herramienta apropiada trabajará mejor y más seguro en el rango de potencia especificado.
- b. **No utilice ninguna herramienta eléctrica cuyo interruptor esté defectuoso.** Una herramienta eléctrica que no se pueda conectar o desconectar resulta peligrosa y es necesario repararla.
- c. **Extraiga el conector del enchufe o retire la batería extraíble antes de efectuar los ajustes de la herramienta, cambiar piezas o guardar la herramienta eléctrica.** Esta medida de seguridad impide el arranque accidental de la herramienta eléctrica.
- d. **Mantenga las herramientas eléctricas que no esté utilizando fuera del alcance de los**


- niños. No permita que la herramienta eléctrica sea utilizada por personas que no estén familiarizadas con ella o no hayan leído las presentes indicaciones.** Las herramientas eléctricas en manos inexpertas pueden ser peligrosas.
- e. **Trate las herramientas eléctricas y las herramientas intercambiables con cuidado. Compruebe si las partes móviles funcionan correctamente y no se atascan, y si hay piezas rotas o tan deterioradas que podrían mermar el funcionamiento de la herramienta eléctrica. Haga reparar las piezas deterioradas antes de usar la herramienta eléctrica.** Muchos accidentes tienen su origen en un mantenimiento deficiente de las herramientas eléctricas.
 - f. **Mantenga las herramientas cortantes limpias y afiladas.** Las herramientas cortantes bien cuidadas con aristas de corte afiladas se atascan menos y se guían más fácilmente.
 - g. **Utilice la herramienta eléctrica, las herramientas intercambiables, etc., de acuerdo con estas instrucciones. Para ello, tenga en cuenta las condiciones de trabajo y la actividad que debe realizar.** El uso de herramientas eléctricas en aplicaciones diferentes a las previstas puede dar lugar a situaciones peligrosas.
 - h. **Mantenga las superficies de agarre y los mangos secos, limpios y libres de aceite y grasa.** Un mango o unas superficies de agarre resbaladizos no permiten un manejo y control seguros de la herramienta eléctrica en situaciones imprevistas.

5 SERVICIO

- a. **Encargue la reparación de su herramienta eléctrica únicamente a personal técnico cualificado y solo con piezas de recambio originales.** De esta forma queda garantizada la seguridad de la herramienta eléctrica.
- b. **Utilice exclusivamente piezas originales para la reparación y el mantenimiento de la herramienta.** El uso de accesorios o piezas de recambio no previstos puede producir descargas eléctricas o lesiones.

3.2 Indicaciones de seguridad específicas para sierras circulares

Procedimiento de corte

-  **¡PELIGRO! No introduzca las manos en la zona de serrado ni las acerque a la hoja de sierra. Sujete el mango adicional o la carcasa del motor con la mano que queda libre.** Si se sujeta la sierra circular con ambas manos, la hoja de sierra no podrá dañarlas.
- **No agarre la pieza de trabajo por debajo.** La caperuza de protección no puede protegerle de la hoja de sierra por debajo de la pieza de trabajo.
- **Ajuste la profundidad de corte según el grosor de la pieza de trabajo.** Por debajo de la pieza de trabajo debe quedar a la vista menos que una altura completa de diente.
- **Nunca sujete la pieza de trabajo que va a serrar con la mano o sobre la pierna. Fije la pieza de trabajo en un alojamiento estable.** Es muy importante fijar correctamente la pieza de trabajo para minimizar los riesgos de contacto con el cuerpo, los atascos de la hoja de sierra o la pérdida de control.
- **Al realizar trabajos en los que la herramienta pudiera entrar en contacto con cables eléctricos ocultos o con el propio cable de conexión, sujete la herramienta eléctrica por las superficies de agarre aisladas.** El contacto con una línea electrificada hace que las piezas metálicas de la herramienta eléctrica se vean sometidas a tensión y que se produzca una descarga eléctrica.
- **Utilice siempre un tope o una guía de canto recta cuando realice cortes longitudinales.** Esto mejora la precisión del corte y reduce las posibilidades de que la hoja de sierra se atasque.
- **Utilice siempre hojas de sierra con el debido tamaño y con un taladro de alojamiento adecuado (p. ej. romboidal o redondo).** Las hojas de sierra no compatibles con las piezas de montaje de la sierra tienen una marcha descentrada y causan pérdida de control.
- **Nunca utilice bridas tensoras o tornillos de hojas de sierra dañados o incorrectos.** Las bridas tensoras y los tornillos de hojas de sierra han sido fabricados especialmente para su sierra con el propósito de obtener un rendimiento y una seguridad de servicio óptimos.

Contragolpe: causas e indicaciones de seguridad al respecto

- Un contragolpe es una reacción inesperada de una hoja de sierra que se engancha, se bloquea o se ha alineado incorrectamente, lo cual puede producir que la sierra se salga de la pieza de trabajo de manera descontrolada y se desvíe hacia el operario;
- la hoja de sierra se bloquea al engancharse o atascarse en la ranura de serrado que se va estrechando y la fuerza del motor sacude la máquina hacia atrás en dirección al operario;
- si la hoja de sierra se tuerce o se alinea incorrectamente, los dientes de la parte posterior de la hoja de la sierra pueden engancharse en la superficie de la pieza de trabajo, de manera que la hoja de sierra sale de la ranura y salta hacia atrás en dirección al operario.

El contragolpe es la consecuencia de un uso incorrecto o inapropiado de la sierra. Puede evitarse si se siguen unas medidas de precaución adecuadas como las que se describen a continuación.

- **Sujete la sierra con ambas manos y coloque los brazos de tal modo que le permitan hacer frente a la fuerza de un posible contragolpe. Colóquese siempre en un lateral de la hoja de sierra, no la sitúe en línea con su cuerpo.** En caso de contragolpe la sierra circular puede saltar hacia atrás; sin embargo, el operario puede controlar la fuerza del contragolpe si aplica unas medidas adecuadas.
- **Si la hoja de sierra se engancha o desea interrumpir el trabajo, suelte el interruptor de conexión y desconexión y sujete la sierra dentro del material tranquilamente hasta que la hoja de sierra se detenga completamente. No intente retirar la sierra de la pieza de trabajo o tirar de la sierra hacia atrás mientras la hoja de sierra se esté moviendo, pues podría producirse un contragolpe.** Averigüe y subsane el motivo por el que la hoja de sierra se ha enganchado.
- **Cuando desee reanudar el trabajo con una sierra que se encuentre dentro de una pieza de trabajo, centre la hoja de sierra en la ranura de serrado y compruebe que los dientes de la sierra no se hayan en-**

- **ganchado en la pieza de trabajo.** Si la hoja de sierra se hubiera enganchado, puede salirse de la pieza de trabajo u ocasionar un contragolpe al volver a arrancarla.
- **Cuando trabaje con paneles grandes, apuntáelos para reducir el riesgo de que se produzca un contragolpe por el enganche de una hoja de sierra.** Los paneles grandes pueden combarse por su propio peso. Los paneles deben apuntalarse por ambos lados, tanto cerca de la ranura de serrado como en el canto.
- **No utilice hojas de sierra romas o dañadas.** Las hojas de sierra con dientes romos o mal alineados producen, a causa de una ranura de serrado demasiado estrecha, un rozamiento mayor, el bloqueo de la hoja de sierra y contragolpes.
- **Antes de comenzar a serrar, fije los ajustes de profundidad y los ángulos de corte.** Si durante las tareas de serrado se modifican los ajustes, la hoja de sierra puede bloquearse y podría causar un contragolpe.
- **Tenga especial precaución al serrar en muros o en otras zonas que no se puedan examinar.** La hoja de sierra que realiza la incisión puede bloquearse al serrar objetos ocultos y causar un contragolpe.

Función de la caperuza de protección

- **Antes de cada uso compruebe que la caperuza de protección se cierra correctamente. No utilice la sierra si la caperuza de protección no ofrece movilidad y no se cierra de inmediato. No bloquee ni inmovilice la caperuza de protección; de lo contrario, la hoja de sierra quedaría desprotegida.** Si la sierra cae al suelo por accidente, la caperuza de protección puede deformarse. Asegúrese de que la caperuza se mueve sin dificultad y que no entra en contacto con la hoja de sierra ni con otras piezas en ningún ángulo o profundidad de corte.
- **Compruebe el estado y el funcionamiento del resorte de la caperuza de protección. No utilice la sierra si la caperuza de protección y el resorte no funcionan correctamente.** Las piezas dañadas, los residuos pegajosos o la acumulación de virutas hacen que la caperuza de protección funcione de forma retardada.
- **Al realizar un corte de incisión no rectangular, asegure la placa base de la sierra para evitar que se produzcan desplazamientos laterales.** Un desplazamiento la-

teral podría bloquear la hoja de sierra, lo que causaría un contragolpe.

- **No coloque la sierra en la mesa de trabajo o en el suelo sin haber comprobado que la caperuza de protección cubre la hoja de sierra.** Una hoja de sierra sin protección que marcha por inercia mueve la sierra en sentido contrario al corte y sierra todo lo que está en su camino. Tener en cuenta el tiempo de marcha por inercia de la sierra.

Función de la cuña palpadora [1-22] (función KickbackStop)

- **Limpie la unidad palpadora cada vez que cambie la hoja de sierra [4-9] mediante soplado de aire o con un pincel.** Si la unidad palpadora está sucia, la función KickbackStop puede verse afectada y, como consecuencia, puede impedir el frenado de la hoja de sierra.
- **No utilice la sierra cuando la cuña palpadora esté torcida.** Un pequeño daño ya podría ralentizar el frenado de la hoja de sierra.

3.3 Indicaciones de seguridad para la hoja de sierra premontada

Utilización

- No debe excederse del n.º de revoluciones máximo indicado en la hoja de sierra; debe respetarse el intervalo de revoluciones.
- La hoja de sierra premontada está concebida para utilizar exclusivamente en sierras circulares.
- Las tareas de embalaje, desembalaje y manipulación de la herramienta (p. ej. montaje en la máquina) deben realizarse con sumo cuidado. Existe peligro de lesión por la presencia de aristas de corte muy afiladas.
- El uso de guantes de protección al manejar la herramienta incrementa la seguridad de agarre y reduce aun más el riesgo de sufrir lesiones.
- Las hojas de sierra circulares que presenten grietas deben cambiarse de inmediato. Queda prohibida la reparación.
- No pueden seguir utilizándose hojas de sierra en versión compuesta (dientes de sierra soldados) con grosores de diente inferiores a 1 mm.
- **ADVERTENCIA!** No deben utilizarse herramientas con grietas visibles, con aristas de corte romas o dañadas.

Montaje y fijación

- Las herramientas deben sujetarse de manera que no se suelten durante el funcionamiento.
- Durante el montaje de las herramientas, es preciso asegurarse de que la sujeción se realiza en el buje de la herramienta o en la superficie de sujeción de la herramienta, y de que las cuchillas no entran en contacto entre sí ni con los elementos de sujeción.
- No está permitido alargar la llave ni apretar los tornillos dando golpes con un martillo.
- Debe limpiarse la suciedad, la grasa, el aceite y el agua de las superficies de sujeción.
- Los tornillos de sujeción deben apretarse observando las instrucciones del fabricante.
- Para ajustar el diámetro de orificio de las hojas de sierra al diámetro del husillo de la máquina solo pueden utilizarse anillos fijos, p. ej., anillos engastados o fijados mediante unión adhesiva. No está permitido utilizar anillos sueltos.

Mantenimiento y cuidado

- Las reparaciones y los trabajos de lijado deben quedar estrictamente reservados a talleres del servicio posventa o a expertos.
- No debe modificarse la construcción de la herramienta.
- Eliminar la resina y limpiar periódicamente la herramienta (producto de limpieza con pH entre 4,5 y 8).
- Las aristas de corte romas pueden reafilarse en la superficie de sujeción hasta un grosor de filo mínimo de 1 mm.
- El transporte de la herramienta debe realizarse solo en un embalaje adecuado: ¡peligro de lesiones!

3.4 Otras indicaciones de seguridad




- **Es imprescindible utilizar los equipos de protección individual adecuados:** protección de oídos, gafas de protección, mascarilla para trabajos que generen polvo.
- **Al trabajar puede generarse polvo perjudicial/tóxico (p. ej. pintura de plomo, algunos tipos de madera y metal).** El contacto o la inhalación de este polvo pueden suponer una amenaza para la persona que realiza el

trabajo o para aquellas que se encuentren cerca. Observe las normativas de seguridad vigentes en su país.


- Para proteger su salud, utilice la protección respiratoria adecuada. En espacios cerrados procure una ventilación suficiente y conecte un sistema móvil de aspiración.
- **Esta herramienta eléctrica no se debe montar en una mesa de trabajo.** El montaje en mesas de trabajo de otros fabricantes o de fabricación propia puede mermar la seguridad de la herramienta eléctrica y provocar accidentes graves.
- **Compruebe si los componentes de la carcasa presentan daños como fisuras o marcas blancas por esfuerzo.** Haga reparar las piezas deterioradas antes de usar la herramienta eléctrica.
- **Utilice aparatos de exploración adecuados para detectar tuberías de abastecimiento ocultas o consulte a la compañía local de abastecimiento de energía.** El contacto de la herramienta con cables eléctricos puede provocar fuego y descargas eléctricas. Si se daña una tubería de gas, puede provocar una explosión. La penetración en una tubería de agua ocasiona daños materiales.

3.5 Trabajos con aluminio

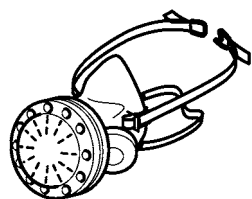
Al trabajar con aluminio deberá tener presente las siguientes medidas por motivos de seguridad:

-  Utilizar gafas de protección.
- Limpiar la herramienta eléctrica periódicamente para eliminar el polvo acumulado en la carcasa del motor.
- Utilizar una hoja de sierra para aluminio.
- Cierre la mirilla/la protección contra el vuelo de virutas.
- Preconectar un interruptor diferencial (FI, PRCD).
- Al serrar placas hay que lubricar con parafina; los perfiles de capa delgada (hasta 1/8" (3 mm)) pueden trabajarse sin lubricación.

3.6 Riesgos para la salud producidos por el polvo

 **ADVERTENCIA!** algunos polvos creados por lijadoras motorizadas, aserraderos, trituradores, perforadoras y otras actividades de construcción contienen sustancias químicas que se sabe (en el Estado de California) causan cáncer, defectos de nacimiento u otros daños al sistema reproductivo. Algunos ejemplos de estas sustancias químicas son:

- Plomo de las pinturas con base de plomo
- Sílice cristalino de los ladrillos y cemento y otros productos de mampostería, y
- Arsénico y cromo de madera tratada con sustancias químicas



El riesgo de exposición a estas sustancias varía, dependiendo de cuantas veces se hace este tipo de trabajo.

Para reducir el contacto con estas sustancias químicas:

trabaje en un área con buena ventilación y trabaje con equipo de seguridad aprobado, como mascarillas para el polvo diseñadas específicamente para filtrar partículas microscópicas.



ADVERTENCIA

PARA REDUCIR EL RIESGO DE LESIÓN, EL USUARIO DEBE LEER EL MANUAL DE INSTRUCCIÓN.


4 Uso conforme a lo previsto

Las Plunge-cut saws están diseñadas para serrar madera, materiales con características similares a la madera, materiales fibrosos de yeso o cemento aglomerado, así como plásticos.

Con las hojas de sierra especiales que ofrece Festool, las máquinas también pueden utilizarse para serrar metales no endurecidos férreos y no férreos.

La máquina NO debe emplearse para tratar materiales que contengan amianto.

No utilizar discos de tronzar y lijar.

 El usuario será responsable de cualquier utilización indebida.

4.1 Hojas de sierra

Solo deben utilizarse hojas de sierra con los siguientes datos:

- Hojas de sierra según EN 847-1
- Diámetro de la hoja de sierra 6-5/8" (168 mm)
- Anchura de corte 5/64" (1.8 mm)

- Taladro de alojamiento 25/32" (20 mm)
- Grosor del disco de soporte 3/64" (1.2 mm)
- Apta para n.º de revoluciones de hasta 9500 min⁻¹

Las hojas de sierra Festool cumplen con lo indicado en la norma EN 847-1.

Serrar únicamente materiales adecuados para la hoja de sierra en cuestión.

5 Datos técnicos

Sierra de incisión	TS 60 KEB
Corriente nominal	13 A
Número de revoluciones	3.000 - 6.800 min ⁻¹
N.º de revoluciones máx. (marcha en vacío)	6.800 min ⁻¹
Inclinación	De -1° a 47°
Profundidad de corte a 0°	0 - 2-7/16" (0 - 62 mm)
Profundidad de corte a 45°	0 - 1-49/64" (0 - 45 mm)
Medidas de la hoja de sierra	6-5/8 x 5/64 x 25/32" (168 x 1.8 x 20 mm)
Peso conforme al procedimiento EPTA 01:2014 (sin cable de red)	
Gewicht entsprechend EPTA-Procedure 01:2014 (ohne Netzkabel)	10.1 lbs (4.6 kg)

6 Descripción de las funciones

- [1-1]** Guía de unión de cable
- [1-2]** Racor de aspiración
- [1-3]** Botones giratorios para el ajuste de ángulo
- [1-4]** Cable de conexión a la red
- [1-5]** Mordazas de ajuste
- [1-6]** Tecla de la función KickbackStop OFF
- [1-7]** Corredera para destalonado -1°
- [1-8]** Regulación del número de revoluciones
- [1-9]** Escala

- [1-10] LED de estado de la función Kick-backStop
- [1-11] Empuñaduras
- [1-12] Palanca para cambio de herramienta
- [1-13] Bloqueo de conexión
- [1-14] Interruptor de conexión y desconexión
- [1-15] Escala dividida en dos para el tope de profundidad de corte (con/sin riel de guía)
- [1-16] Tornillo de ajuste de profundidad de corte para hojas de sierra rectificadas
- [1-17] Tope de profundidad de corte
- [1-18] Indicador de corte
- [1-19] Corredera para destalonado 47°
- [1-20] Mirilla/protección contra el vuelo de virutas
- [1-21] Protección antiastillas
- [1-22] Cuña palpadora
- [1-23] Tapa de protección

Las imágenes de la descripción del funcionamiento se encuentran en una página desplegable al principio del manual de instrucciones. Al leer el manual se puede desplegar la página para comparar y consultar las imágenes.

Los accesorios representados o descritos no forman parte íntegra de la dotación de suministro.

7 Puesta en servicio



ADVERTENCIA

Tensión o frecuencia no permitida

Peligro de accidente

- La tensión de red y la frecuencia de la red eléctrica deben coincidir con los datos que figuran en la placa de tipo.
- En Norteamérica solo pueden utilizarse las máquinas Festool con una tensión de 120 V / 60 Hz.



Apagar siempre la máquina antes de conectar y desconectar el cable de conexión a la red eléctrica.

7.1 Cable de prolongación

Si se necesita un cable de prolongación, este debe tener una sección transversal suficiente para evitar una caída excesiva de voltaje o un

sobrecalentamiento. Una caída excesiva de voltaje reduce la potencia y puede ocasionar un fallo del motor. La siguiente tabla muestra el diámetro correcto del cable para esta herramienta en función de su longitud.

Dimensiones del cable en AWG

Amperaje de la herramienta	Longitud del cable en pies			
	25	50	100	150
3-6	18	16	16	14
6-8	18	16	14	12
8-10	18	16	14	12
10-12	16	16	14	12
12-16	14	12	-	-

Dimensiones del cable en mm²

Amperaje de la herramienta	Longitud del cable en metros			
	15	30	60	120
3-6	0.75	0.75	1.5	2.5
6-8	0.75	1.0	2.5	4.0
8-10	0.75	1.0	2.5	4.0
10-12	1.0	2.5	4.0	-
12-16	-	-	-	-

Usar solo cables de prolongación contemplados por el estándar NRTL.

No utilizar nunca dos cables de prolongación juntos. Utilizar uno largo en su lugar.

- ⓘ Cuanto más bajo sea el número AWG, más fuerte será el cable.

8 Ajustes



ADVERTENCIA

Peligro de lesiones y electrocución

- Desconectar el enchufe de la red antes de realizar cualquier trabajo en la máquina.

8.1 Sistema electrónico

Regulación del número de revoluciones

El número de revoluciones puede ajustarse con la rueda de ajuste [1-8] de modo continuo dentro de la gama de revoluciones (véanse los Datos técnicos). De esta forma, puede adaptar la velocidad de corte de forma óptima a cada superficie.

Velocidad en función del material	
Madera maciza (dura, blanda)	6
Placas de viruta y de fibra dura	3 - 6
Madera laminada, tableros de ebanistería, placas enchapadas y revestidas	6
Laminado, materiales minerales	4 - 6
Planchas de madera aglomerada y de fibras aglutinadas con cemento y yeso	1 - 3
Placas y perfiles de aluminio de hasta 19/32" (15 mm)	4 - 6
Plásticos, plásticos reforzados con fibra de vidrio (GfK), papel y tejidos	3 - 5
Vidrio acrílico	4 - 5

Protección de sobrecarga

En caso de sobrecarga extrema del aparato, una protección electrónica contra sobrecarga se encarga de evitar daños en el motor. En este caso, el motor se para y no vuelve a funcionar hasta que se reduzca la carga. Para volver a ponerlo en marcha, es necesario conectar de nuevo la máquina.

Freno

La sierra TS 60 KEB cuenta con un freno electrónico. Después de desconectarla, la hoja de sierra se frena electrónicamente en aprox. 2 segundos hasta que se detiene.

Protector contra sobretemperatura

Si el motor alcanza una temperatura excesiva, se reducen la alimentación de corriente y el número de revoluciones. La herramienta eléctrica seguirá funcionando a potencia reducida para permitir que el motor se enfríe rápidamente mediante el sistema de ventilación. Una vez enfriada, la herramienta eléctrica arranca automáticamente.

8.2 Ajustar la profundidad de corte

La profundidad de corte puede ajustarse entre 0 - 2-7/16" (0 - 62 mm) en el tope de profundidad de corte [2-1].

El grupo de la sierra puede ahora presionarse hacia abajo hasta la profundidad de corte ajustada.

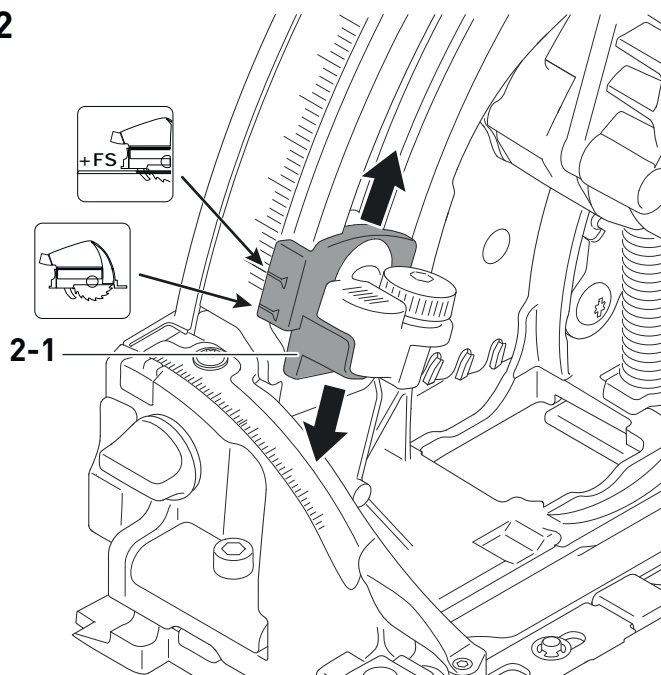


Profundidad de corte sin riel de guía máx. 2-7/16" (62 mm)



Profundidad de corte con riel de guía FS máx. 2-1/4" (57 mm)

2



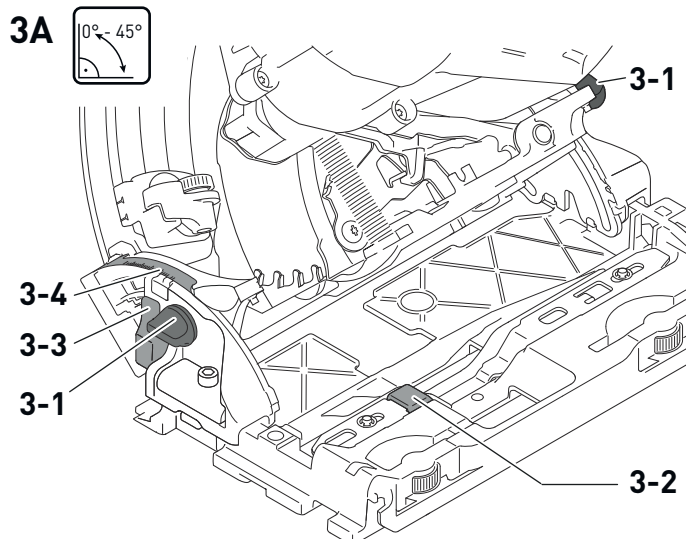
8.3 Ajuste de ángulo de corte

Entre 0° y 45°

- ▶ Abra los botones giratorios [3-1].
 - ▶ Incline el grupo de la sierra hasta el ángulo de corte deseado [3-4].
 - ▶ Cierre los botones giratorios [3-1].
- ⓘ Las dos posiciones (0° y 45°) vienen ajustadas de fábrica y pueden ser reajustadas por el servicio de atención al cliente.



En los cortes angulares, sitúe la mirilla/la protección antiastillas en la posición superior.



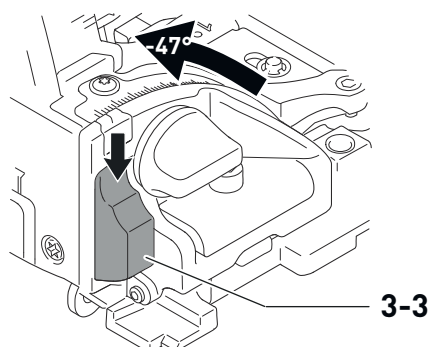
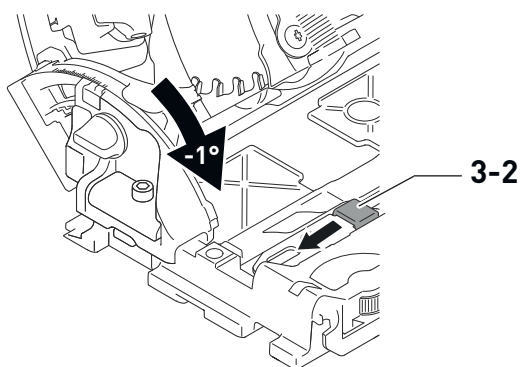
En destalonado -1° y 47°

- Incline el grupo de la sierra hasta la posición final ($0^\circ/45^\circ$) como se describe arriba.
- Para 47° , desplazar hacia abajo la corredera **[3-3]** en el segmento giratorio delantero.
- Para -1° , desplazar hacia delante la corredera **[3-2]** en la placa.

El grupo de la sierra cae a la posición $-1^\circ/47^\circ$.

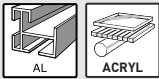
- Cierre los botones giratorios **[3-1]**.

3B



8.4 Selección de la hoja de sierra

Las hojas de sierra Festool están identificadas con un anillo en color. El color del anillo indica el material para el que es apta la hoja de sierra. Observe los datos necesarios sobre la hoja de sierra (véase el capítulo 4.1).

Color	Material	Símbolo
Amarillo	Madera	
Rojo	Laminado, material mineral	
Verde	Planchas de madera aglomerada y de fibras aglutinadas con cemento y yeso	
Azul	Aluminio, plástico	

8.5 Cambio de la hoja de sierra [4]



ADVERTENCIA

Peligro de lesiones y electrocución

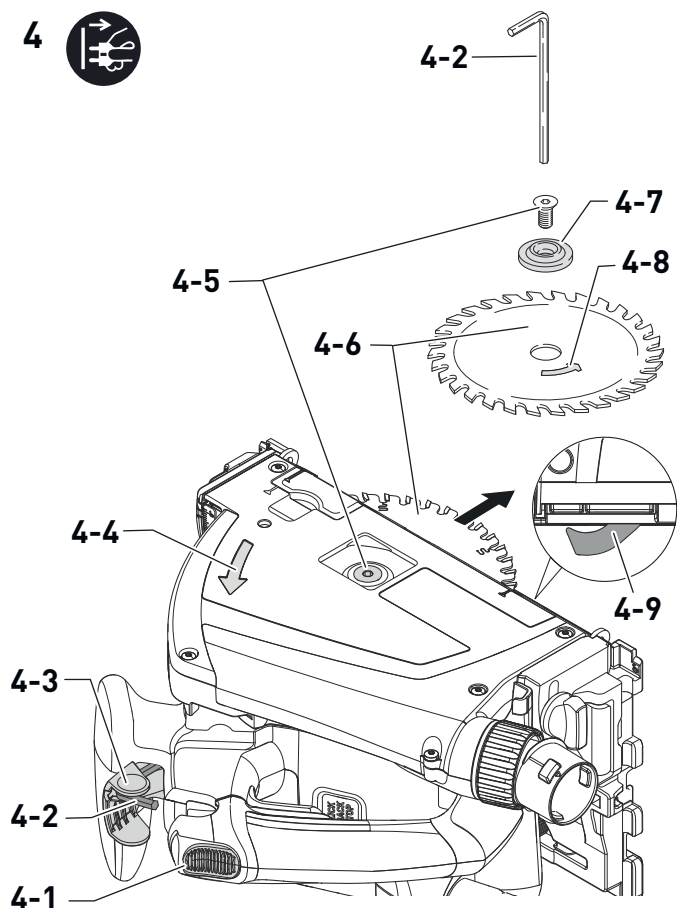
- Desconectar el enchufe de la red antes de realizar cualquier trabajo en la máquina.



PRECAUCIÓN

Riesgo de lesiones con herramientas calientes y afiladas

- No utilizar herramientas romas o defectuosas.
- Usar guantes de protección al manejar la herramienta.

4 

Retirada de la hoja de sierra

- ▶ Antes de cambiar la hoja de sierra, incline la sierra a la posición de 0° y ajuste la profundidad de corte máxima.
- ▶ Mueva la palanca hasta el tope [4-3]. Accionar la palanca **solo cuando la sierra está parada**.
- ▶ Presione el grupo de la sierra hacia abajo hasta que encaje.
- ▶ Coloque la sierra lateralmente sobre una superficie estable. Lado de la hoja de sierra hacia arriba.
- ▶ Afloje el tornillo [4-5] con la llave de macho hexagonal [4-2].
- ▶ Retire la hoja de sierra [4-6].

Limpiar la unidad palpadora

ADVERTENCIA! Si la unidad palpadora está sucia, la función KickbackStop puede verse afectada y, como consecuencia, puede impedir el frenado de la hoja de sierra.

- ▶ Sujete el grupo de la sierra firmemente por el mango, cierre la palanca [4-3] y puse el grupo de la sierra hasta abajo.
- ▶ Vuelva a abrir la palanca [4-3] y deje que el grupo de la sierra encaje.
- ▶ Limpie la unidad palpadora [4-9] mediante soplado de aire o con un pincel.

Montaje de la hoja de sierra

ADVERTENCIA! Comprobar si los tornillos y la brida están sucios y utilizar únicamente piezas limpias y que no presenten daños.

- ▶ Sujete el grupo de la sierra por el mango y mueva la palanca [4-3] hasta el tope.
- ▶ Presione el grupo de la sierra hacia abajo hasta que encaje.
- ▶ Coloque una hoja de sierra nueva.

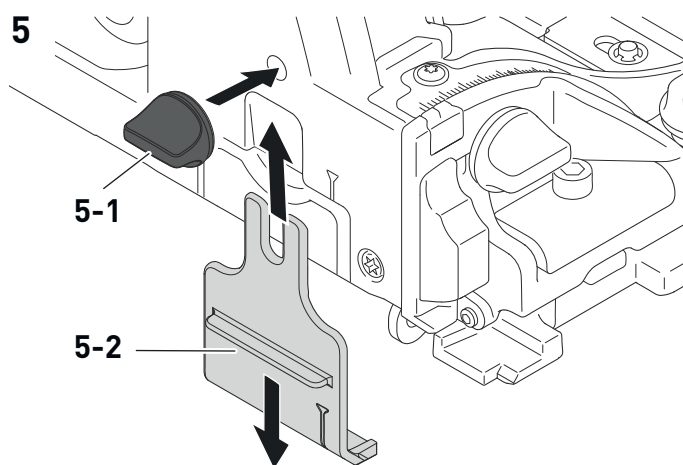
ADVERTENCIA! Los sentidos de giro de la hoja de sierra [4-8] y de la sierra [4-4] deben coincidir. Si no se sigue esta indicación, se pueden producir lesiones graves.

- ▶ Coloque la brida exterior [4-7] de manera que los tacos de arrastre encajen en la entalladura de la brida interior.
- ▶ Apriete el tornillo [4-5].
- ▶ Sujete el grupo de la sierra por el mango, cierre la palanca [4-3] y vuelva a mover el grupo de la sierra hacia arriba.

8.6 Montaje de la protección antiastillas [5]

La **protección antiastillas** (verde) [5-2] mejora considerablemente la calidad del canto de corte del lado superior de la pieza de trabajo en cortes de 0°.

- ▶ Coloque la protección antiastillas [5-2].
- ▶ Enrosque el botón giratorio [5-1] a través del orificio en la mirilla.
- ▶ **ATENCIÓN. Utilizar únicamente el botón giratorio que se suministra junto con la sierra de incisión.** El botón giratorio de otras sierras puede ser demasiado largo y bloquear la hoja de sierra.



Serrar la protección anti-astillas

Antes del primer uso es necesario serrar la protección anti-astillas:

- ▶ Ajuste la máquina a la profundidad de corte máxima.
- ▶ Ajuste la velocidad de la máquina al nivel 6.

- ▶ Coloque la máquina en un taco mártir para serrar la protección anti-astillas.

8.7 Aspiración



ADVERTENCIA

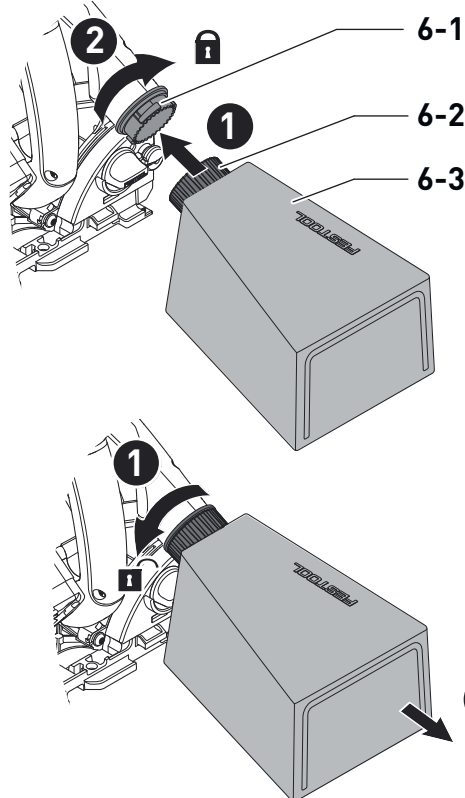
Peligro para la salud causado por el polvo

- ▶ Utilice siempre un aspirador.
- ▶ Utilice únicamente un aspirador diseñado para recoger el tipo de polvo y las partículas del material que se está cortando.
- ▶ Siga las normas OSHA y NFPA para garantizar un entorno de trabajo seguro.

Aspiración propia

- ▶ Fijar la pieza de conexión [6-2] de la bolsa colectora [6-3] con un giro a la derecha del racor de aspiración [6-1].
- ▶ Para el vaciado, extraer la pieza de conexión de la bolsa colectora con un giro a la izquierda del racor de aspiración.

6A



Si la caperuza de protección presenta obstrucciones, las funciones de seguridad pueden verse afectadas. Para evitar obstrucciones es mejor trabajar con un sistema móvil de aspiración a plena potencia de aspiración.

Al serrar (p. ej. MDF), puede generarse una carga estática. Trabaje, por tanto, con un sistema móvil de aspiración y un tubo flexible de aspiración antiestático.

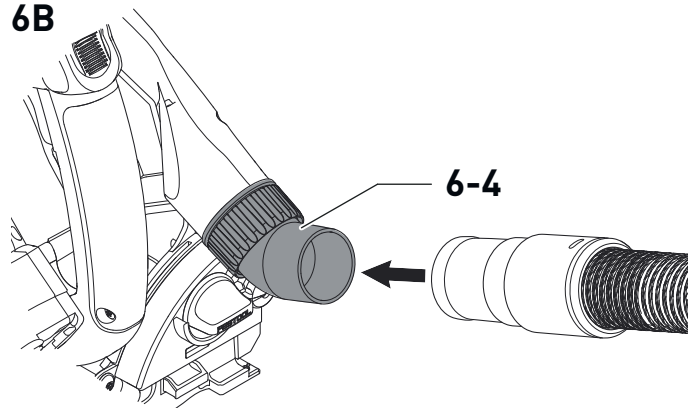
Sistema móvil de aspiración de Festool

En el racor de aspiración [6-1] se puede conectar un sistema móvil de aspiración de Festool con un tubo flexible con un diámetro de 1-1/16"/1-17/64" (27/32 mm) o de 1-7/16" (36 mm) (se recomienda 36 mm, ya que el riesgo de obstrucción es menor).

La pieza de conexión de un tubo flexible de aspiración de 1-1/16" (27 mm) de diámetro se introduce en el codo [6-4]. La pieza de conexión de un tubo flexible de aspiración de 1-7/16" (36 mm) de diámetro se introduce en el codo [6-4].

ATENCIÓN. Si no se utiliza un tubo flexible de aspiración antiestático, puede cargarse de energía estática. El usuario puede sufrir una descarga eléctrica y la electrónica de la herramienta eléctrica puede resultar dañada.

6B



9 Trabajo con la herramienta eléctrica



Durante el trabajo tenga en cuenta todas las indicaciones de seguridad especificadas al principio, así como las siguientes reglas:

Antes de comenzar

- Antes de cada uso, compruebe si la unidad de accionamiento y la hoja de sierra vuelven a girar a la posición de partida, hacia arriba sin problemas y completamente a la carcasa de protección. No utilice la sierra si la posición final superior no está garantizada. No bloquee ni fije la unidad de accionamiento giratoria en una profundidad de corte determinada. La hoja de sierra quedaría desprotegida.
- Antes de cada uso verifique el funcionamiento del dispositivo de incisión y utilice la máquina solo si este es correcto.
- Comprobar que la hoja de sierra esté bien sujeta.

- Antes de cada uso de la sierra, compruebe la función KickbackStop (véase el capítulo 9.11).
- Antes de empezar a trabajar, cerciorarse de que el botón giratorio [1-3] esté fijamente enroscado.
- Asegurarse de que, durante el proceso de corte, el tubo flexible de aspiración y el cable de conexión a la red eléctrica no se enanchen en la pieza de trabajo ni en el soporte de la pieza de trabajo o en puntos peligrosos del suelo.

Al trabajar

- Al realizar los trabajos, apoye totalmente la placa de la mesa de la sierra.
- Al trabajar con la herramienta eléctrica, sujétela **siempre con ambas manos** por las empuñaduras [1-11]. Es imprescindible para trabajar y realizar incisiones con precisión. Incida en la pieza de trabajo de forma lenta y uniforme.
- Dirija la herramienta eléctrica hacia la pieza de trabajo solo cuando esté conectada.
- Empuje la sierra siempre hacia delante [11-2], **no tirar en ningún caso hacia atrás**.
- Adaptar la velocidad de avance para evitar que se sobrecalienten los filos de la hoja de sierra o que se derrita el plástico al serrarlo. Cuanto más duro sea el material a serrar, menor debe ser la velocidad de avance.
- No trabaje con la máquina cuando la electrónica esté defectuosa, pues podría producirse un elevado número de revoluciones. Sabrá que el sistema electrónico está defectuoso cuando el arranque no sea suave, cuando no sea posible regular el número de revoluciones y por la producción de humo o el olor a quemado de la máquina.

9.1 Señales acústicas de advertencia

En los siguientes estados operativos se emiten señales acústicas de advertencia y la máquina se desconecta:



peep — —

Máquina sobrecargada

- Reducir el esfuerzo de la máquina.

9.2 Conexión y desconexión

El accionamiento del bloqueo de conexión desbloquea el dispositivo de incisión.

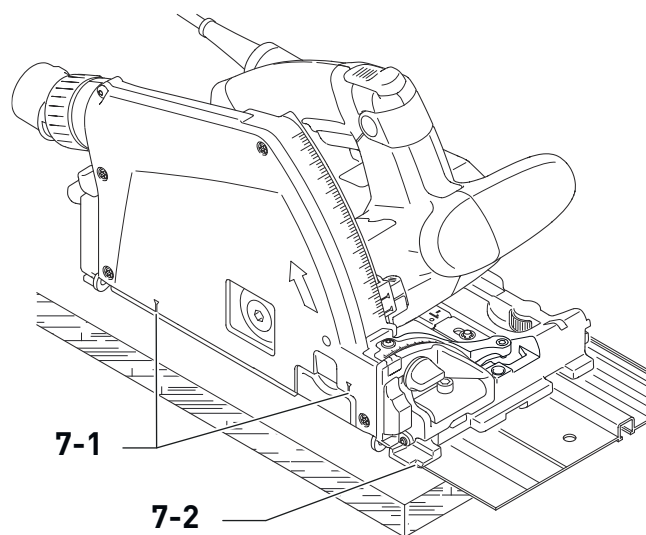
- Cierre el bloqueo de conexión [1-13] hacia arriba y pulse el interruptor de conexión y desconexión [1-14] (pulsar = conectado / soltar = desconectado).

El grupo de la sierra se puede mover hacia abajo. La hoja de sierra sale de la caperuza de protección.

9.3 Serrado por línea de corte

El indicador de corte [7-2] muestra el trazado de corte en los cortes de 0° y 45° (sin riel de guía).

7



9.4 Serrar cortes

Coloque la máquina, con la parte delantera de la mesa de serrar, sobre la pieza de trabajo, conecte la máquina, presione hacia abajo hasta la profundidad de corte ajustada y avance en el sentido de corte.

9.5 Serrar segmentos (cortes de incisión)



A fin de evitar contragolpes al efectuar cortes de incisión, deberán observarse obligatoriamente las siguientes indicaciones:

- Coloque la máquina siempre con el canto posterior de la mesa de serrar contra un tope fijo.
- Al trabajar con el riel de guía, apoye la máquina en la parada de contragolpe FS-RSP (accesorios) [11-4], que a su vez va fijada al riel de guía.

Procedimiento

- Coloque la máquina sobre la pieza de trabajo y apóyela contra un tope (parada de contragolpe).
- Conecte la máquina.
- Presione la máquina lentamente hasta la profundidad de corte ajustada y muévala en el sentido del corte.

Las marcas [7-1] muestran, a la profundidad de corte máxima y si se utiliza el riel de guía, el punto de corte más adelantado y el más atrasado de la hoja de sierra (\varnothing 6-5/8" (168 mm)).

9.6 Placas de fibras de yeso y aglomerado de cemento

Debido al gran volumen de polvo que se genera, se recomienda utilizar la protección ABSA-TS55/60 (accesorio) que se puede montar en el lateral de la caperuza de protección y un sistema móvil de aspiración Festool.

9.7 Función KickbackStop



ADVERTENCIA

Peligro de lesiones

La función KickbackStop no garantiza protección completa frente a contragolpes.

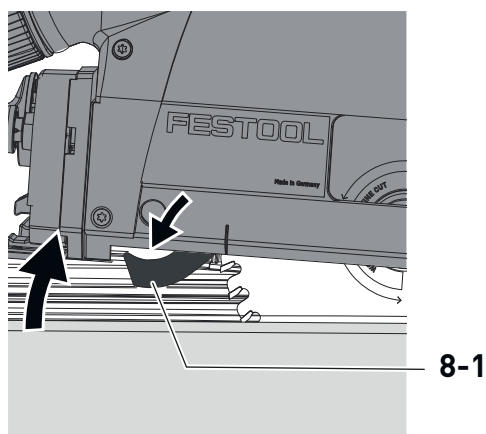
- ▶ Trabaje siempre de manera concentrada y observe las indicaciones de seguridad y de advertencia.

Un contragolpe durante el trabajo puede provocar la elevación indeseada de la sierra.

Mientras se trabaja, la cuña palpadora [8-1] reconoce la elevación indeseada de la sierra (contragolpe) de la pieza de trabajo o de un riel y activa un frenado rápido de la hoja de sierra (figura [8A]).

De esta forma se reduce el riesgo de que se produzcan contragolpes. No obstante, no pueden excluirse del todo.

8A



LED de estado de la función KickbackStop

Color	Significado
Verde	La función KickbackStop está activa.
Naranja	La función KickbackStop está desactivada.

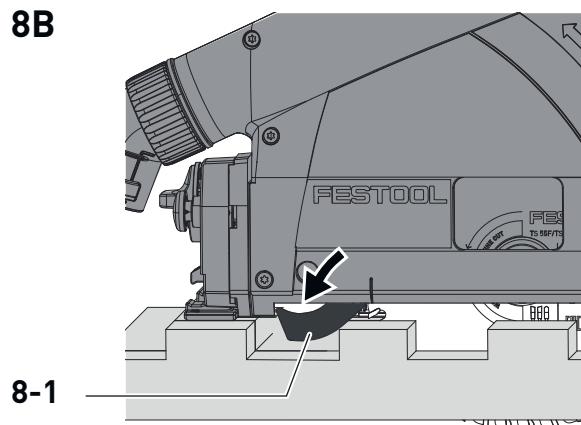
Color	Significado
Naranja intermitente	La función KickbackStop no está activa. La sierra ha arrancado antes de que la cuña palpadora presionara en la pieza de trabajo o en un riel de guía. La placa de la mesa de la sierra no está completamente apoyada. Una vez que la sierra se ha apoyado completamente, el LED cambia a verde. Si esto no ocurre, compruebe la función KickbackStop (véase el capítulo 9.11)
Rojo intermitente	Se ha activado la función KickbackStop.

9.8 Activación no deseada de la función KickbackStop

Al trabajar sin riel de guía en una pieza de trabajo irregular puede producirse la activación no deseada de la función KickbackStop (figura [8B]).

La cuña palpadora [8-1] palpa a lo largo de la pieza de trabajo. Si hay una hendidura en la pieza de trabajo, la posición de la cuña palpadora corresponde a la posición en caso de elevación de la pieza de trabajo o de un riel de guía. Por tanto, se activa la función KickbackStop. En este caso puede ser necesario trabajar sin función KickbackStop (véase el capítulo 9.10).

8B



9.9 Procedimiento tras activación de la función KickbackStop

Activación por elevación no deseada (contragolpe)

- ▶ Averiguar los motivos de la elevación y subsanarlos.
- ▶ Comprobar si la herramienta presenta daños.

- ▶ Comprobar si la cuña palpadora presenta daños.
- ▶ Comprobar la función KickbackStop (véase el capítulo 9.11).

Tras una activación no deseada de la función KickbackStop

- ▶ Soltar el interruptor de conexión y desconexión y esperar hasta que el LED de estado de la función KickbackStop deje de parpadear.
- ▶ Comprobar si efectivamente se trataba de una activación no deseada de la función KickbackStop (véase el capítulo 9.8) o más bien de un contragolpe.
- ▶ Primero, intente continuar trabajando con la función KickbackStop activa. Solo cuando trabaje sin riel y su pieza de trabajo sea tan irregular que provocaría varias activaciones de la función KickbackStop, desactive la función KickbackStop (véase el capítulo 9.10).

9.10 Trabajar sin función KickbackStop



ADVERTENCIA

Peligro de lesiones

Con la función KickbackStop desactivada, la hoja de sierra no se detiene si se levanta de forma involuntaria.

- ▶ Desactive la función KickbackStop solo cuando trabaje sin riel y su pieza de trabajo sea tan irregular que provocaría activaciones repetidas y no deseadas de la función KickbackStop.

Desactivar la función KickbackStop

- ▶ Pulsar la tecla Función KickbackStop OFF.
- ▶ Pulsar el interruptor de conexión y desconexión en el curso de 10 segundos y mantenerlo pulsado.

La función KickbackStop permanece desactivada hasta volver a soltar el interruptor de conexión y desconexión.

- ⓘ La función KickbackStop solo puede desactivarse antes de encender la sierra.

9.11 Comprobación de la función KickbackStop



ADVERTENCIA

Peligro de lesiones por hoja de sierra sobresaliente.

- ▶ Realizar la comprobación del funcionamiento sobre el riel de guía.
- ▶ Antes de comprobar el funcionamiento:
 - desmontar la hoja de sierra;
 - ajustar la profundidad de corte a 0" (0 mm) (FS).
- ▶ Ajustar la profundidad de corte a 0" (0 mm) (FS).
- ▶ Ajustar la herramienta sobre el riel de guía.
- ▶ Encender la herramienta.
- ▶ Pulsar la tecla OFF de la función KickbackStop 4 veces en el transcurso de 5 segundos, a intervalos de al menos 0,5 segundos.

El LED de estado de la función KickbackStop parpadea, de forma alternada, en los colores rojo y verde.

- ▶ En el transcurso de 15 segundos
 - ▷ Presionar el grupo de la sierra hacia abajo.
 - ▷ Levantar y volver a bajar la herramienta por la parte trasera.

Suena una señal sonora, el LED de estado se ilumina en verde. La función KickbackStop funciona sin errores.

En caso de que no suene una señal sonora ni el LED de estado se ilumine en verde, la función KickbackStop no funciona sin errores.

- ▶ Verificar si la comprobación de la función se ha realizado correctamente.
- ▶ Limpiar la unidad palpadora de detrás de la hoja de sierra (véase Cambio de la hoja de sierra).

Si la comprobación de la función sigue sin ser satisfactoria, la herramienta no puede continuar utilizándose. Póngase en contacto con su taller de servicio técnico de Festool.

10 Mantenimiento y limpieza



ADVERTENCIA

Cualquier trabajo de mantenimiento o reparación que requiera abrir el motor o la carcasa del engranaje deberá ser realizado únicamente por un Centro de Atención al Cliente (nombre proporcionado por su concesionario).

- ▶ Los trabajos de mantenimiento o reparación realizados por una persona no autorizada podrían provocar la conexión incorrecta de los conductores de alimentación u otros componentes, lo que a su vez podría provocar accidentes con consecuencias graves.



ADVERTENCIA

Para prevenir los accidentes, antes de realizar cualquier trabajo de mantenimiento o reparación en la máquina retire siempre el enchufe de la toma de corriente.

- ▶ No utilice aire a presión para limpiar las herramientas eléctricas. No intente limpiar las partes internas de la máquina de este modo, ya que podría permitir la entrada de objetos extraños a través de las aperturas de la carcasa de la máquina.



PRECAUCIÓN

Algunos productos de limpieza y disolventes resultan perjudiciales para las piezas de plástico.

- ▶ Algunos de ellos incluyen, entre otros, gasolina, acetona, metiletilcetona (MEK) y oxocloruro de carbono. Los productos de limpieza normalmente contienen cloro y amoníaco y los productos de limpieza del hogar contienen amoníaco.



El servicio de atención al cliente y de reparaciones solo está disponible a través del fabricante o de los talleres de reparación. Dirección más cercana en:

www.festoolusa.com/service



Utilice únicamente piezas de recambio Festool originales. Referencia en: www.festoolusa.com/service

Tener en cuenta las siguientes advertencias:

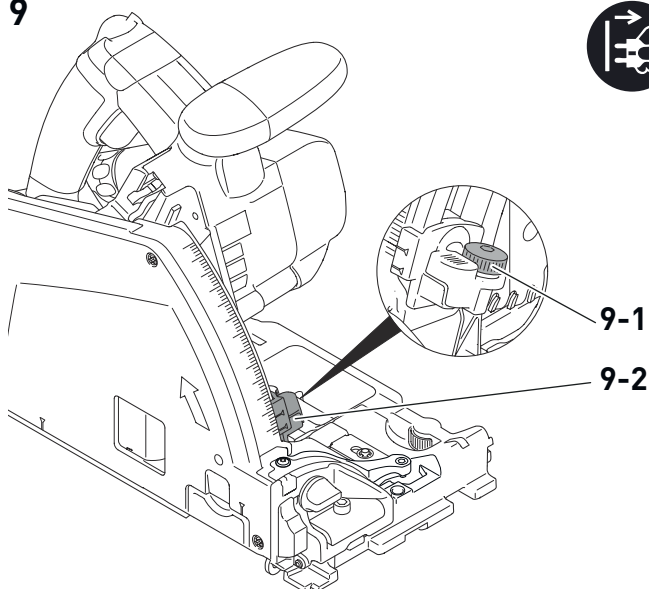
- ▶ Los dispositivos de protección y las piezas que presenten daños, p. ej. una palanca para cambiar de herramienta **[1-12]**, deben ser reparados o sustituidos conforme a lo prescrito por un taller especializado autorizado, a menos que se especifique de otro modo en el manual de instrucciones.
- ▶ Compruebe el estado y el correcto funcionamiento del muelle recuperador que presiona toda la unidad de accionamiento a la posición final protegida superior.
- ▶ Con el fin de garantizar una correcta circulación del aire, las aberturas para el aire de refrigeración de la carcasa deben mantenerse despejadas y limpias.
- ▶ Aspirar en todos los orificios para limpiar las astillas y las virutas de la herramienta eléctrica. Nunca abra la tapa de protección **[1-23]**.
- ▶ Al trabajar con placas de fibras de yeso y aglomerado de cemento, limpiar la herramienta de forma minuciosa. Limpie los orificios de ventilación de la herramienta eléctrica y los del interruptor de conexión y desconexión con aire comprimido seco y sin aceite. De lo contrario podría sedimentarse polvo con yeso en la carcasa de la herramienta eléctrica y el interruptor de conexión y desconexión, y endurecerse tras entrar en contacto con la humedad ambiental. Esto podría conllevar problemas en el mecanismo de conmutación.
- ▶ Comprobar que todas las advertencias de la herramienta eléctrica sean legibles y estén completas. Reemplazar las advertencias que falten o que no sean legibles.

10.1 Hojas de sierra rectificadas

El tornillo de ajuste **[9-1]** permite ajustar exactamente la profundidad de corte de las hojas de sierra rectificadas.

- ▶ Ajuste el tope de profundidad de corte **[9-2]** a 0" (0 mm) (con el riel de guía).
- ▶ Desbloquee el grupo de la sierra y presiónelo hacia abajo hasta el tope.
- ▶ Atornille el tornillo de ajuste **[9-1]** hasta que la hoja de sierra quede en contacto con la pieza de trabajo.

9



10.2 La mesa de serrar se tambalea

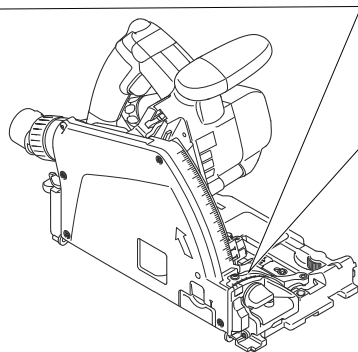
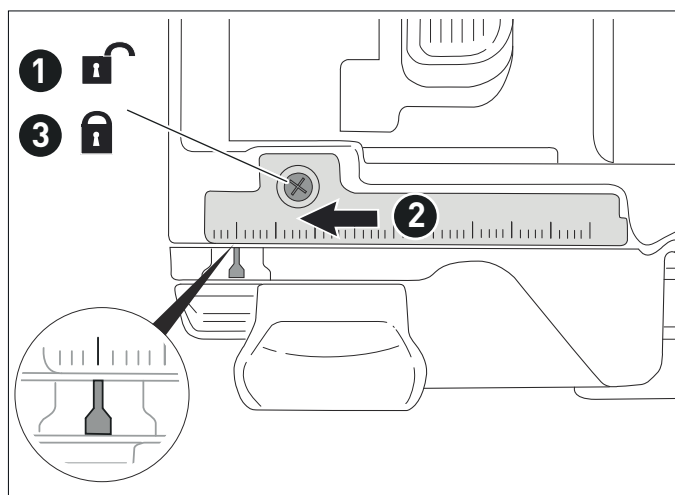
i Al ajustar el ángulo de corte, la mesa de serrar debe estar colocada sobre una superficie plana.

► Si la mesa de serrar se tambalea, se debe volver a ajustar.

10.3 Orientación de la escala

Véase la figura [10].

10



11 Accesorios

Utilizar únicamente accesorios y material de consumo autorizados por Festool. Véase el catálogo Festool o www.festoolusa.com.

La utilización de accesorios y material de consumo de otros fabricantes puede mermar la seguridad de la herramienta eléctrica y provocar accidentes graves.

Además de los accesorios descritos, Festool ofrece una amplia gama de accesorios de sistema que le permiten hacer un uso versátil y efectivo de la máquina, p.ej.:

- Tope paralelo PA-TS 60
- Protección lateral, machihembrados ABSA-TS 55/60
- Parada de contragolpe FS-RSP
- Tope paralelo FS-PA y prolongación FS-PA-VL
- Tope angular FS-WA
- Mesa de serrar y de trabajo móvil STM 1800
- Mesa multifuncional MFT/3

11.1 Hojas de sierra y otros accesorios

Para cortar diversos materiales de forma rápida y limpia, Festool le ofrece hojas de sierra compatibles con su sierra Festool y adecuadas para cualquier aplicación.

11.2 Sistema de guía

El riel de guía permite realizar cortes precisos y limpios y, al mismo tiempo, protege la superficie de la pieza de trabajo de posibles daños. En combinación con el extenso conjunto de accesorios, con el sistema de guía es posible efectuar unos cortes angulares, a inglete y unos trabajos de adaptación con gran exactitud. La posibilidad de fijación mediante mordazas [11-5] garantiza una sujeción y un trabajo seguros.

► Ajustar el juego de la guía de la mesa de serrar en el riel de guía con las dos mordazas de ajuste [11-1].

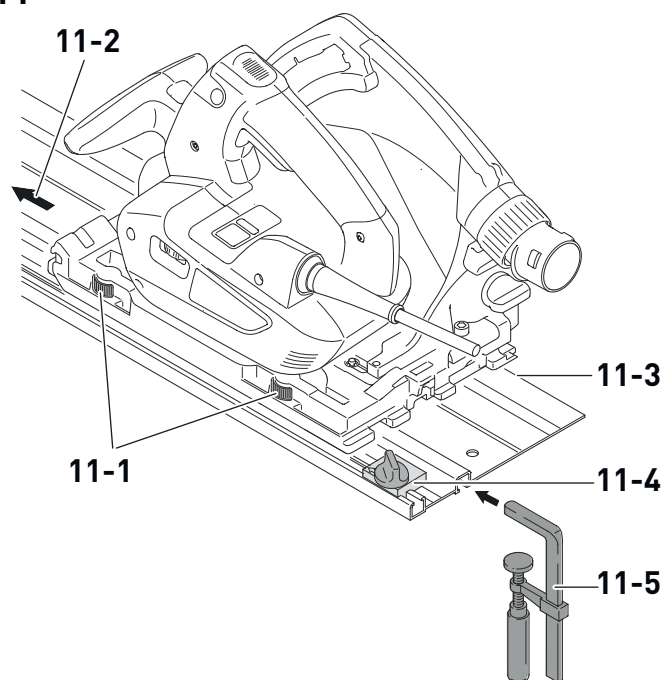
Antes del primer uso del riel de guía, sierre la protección antiastillas [11-3]:

- Ajuste la velocidad de la máquina al nivel 6.
- Coloque la máquina con toda la placa guía en el extremo posterior del riel de guía.
- Conecte la máquina.
- Presione la máquina lentamente hacia abajo hasta la profundidad de corte máxima ajustada y sierre la protección antiastillas por toda la longitud sin levantarla.

El canto de la protección antiastillas se corresponde exactamente con el canto de corte.

- ❶ Coloque el riel de guía para serrar la protección anti-astillas en un taco mártir.

11



11.3 Riel de guía de corte transversal

El riel de guía de corte transversal está diseñado para serrar madera y materiales de tableros.

Permite obtener unos cortes precisos y limpios; en concreto, los cortes angulares se pueden realizar con facilidad y repetir con precisión. La sierra retrocede automáticamente hasta la posición de inicio después del proceso de serrado.

Respetar el manual de instrucciones del riel de guía de corte transversal FSK

11.4 SYSTAINER

Systainer

Muchos de los productos Festool se entregan en un embalaje exclusivo denominado "Systainer" que sirve de protección a la herramienta y sus complementos, además de facilitar su almacenamiento. Los Systainer pueden apilarse y encajan unos con otros. Además se adaptan sin problema a cualquier aparato de aspiración CT de Festool.

Para abrir el Systainer


 Gire el T-loc **[SYS-b-1]** a esta posición.

Para cerrar el Systainer

 Gire el T-loc **[SYS-b-1]** a esta posición.

Para encajar dos Systainer

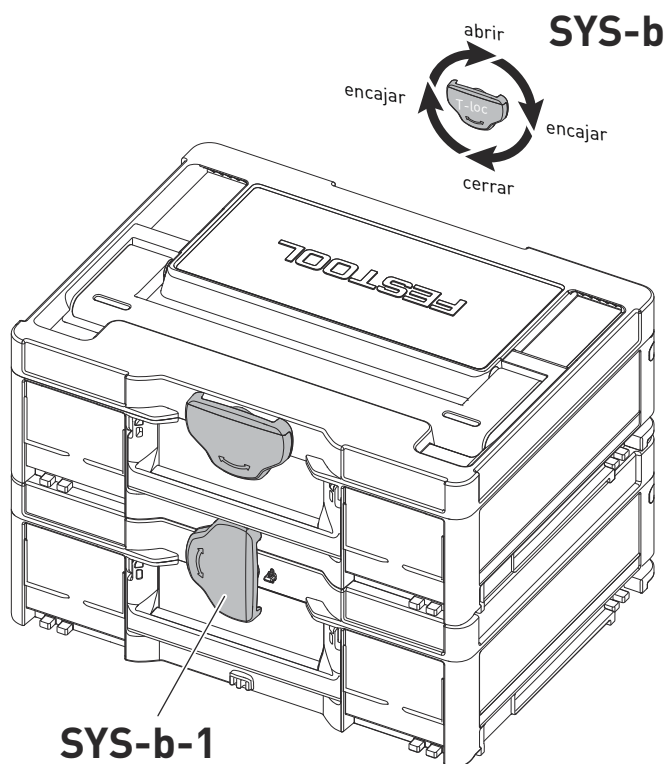
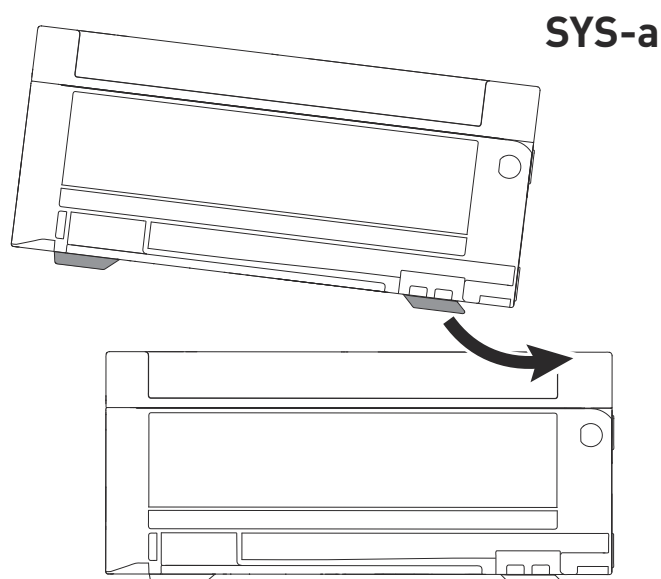
Ponga el Systainer sobre un otro **[SYS-a]**.

 Gire el T-loc **[SYS-b-1]** a una de estas posiciones (Fig. **[SYS-b]**).

Los Systainers están encajados y cerrados.

- ❶ El Systainer Classic Line se puede unir por la parte inferior con un Systainer T-Loc o con un Systainer³ por medio de sus cuatro enclavamientos

El Systainer T-Loc se puede unir por abajo o por arriba con un Systainer³.



12 Medio ambiente

No deseche la herramienta junto con los residuos domésticos. Recicle las herramientas, accesorios y embalajes de forma respetuosa con

el medio ambiente. Respete la normativa vigente del país.

13 Observaciones generales

13.1 Información relativa a la protección de datos

La herramienta eléctrica contiene un chip que almacena automáticamente los datos de servicio y de la máquina. Los datos guardados no pueden estar directamente relacionados con ninguna persona.

Los datos pueden leerse sin contacto con dispositivos especiales, y Festool los utiliza exclusivamente para el diagnóstico de fallos, la gestión de las reparaciones y de la garantía, así como para la mejora de la calidad o el perfeccionamiento de la herramienta eléctrica. Los datos no se utilizan para otros fines sin el consentimiento expreso del cliente.