

Frigidaire Gallery



French Door Refrigerator

28.8 Cu. Ft. French Door Refrigerator

GRFN2853AF

Available Colors : Stainless Steel

Version : 11/21

Refrigerator

| | |
|--|-----------|
| Adjustable Temperature Drawer | Yes |
| Air Filter | Yes |
| Crisper Color | Clear |
| Dairy Bin | No |
| Door Bin Color | Clear |
| Humidity Controls | Automatic |
| Interior Lighting | LED |
| Produce Keeper Ready | Yes |
| Produce Keeper Included | Yes |
| Shelf Material | Glass |
| Water Filter | Yes |
| Number of Adjustable Gallon Plus Door Bins | 3 |
| Number of Fixed Condiment Door Bins | 2 |
| Number of Fixed Gallon Plus Door Bins | 3 |
| Total Number of Door Bins | 8 |
| Number of Adjustable Shelves | 2 |
| Number of Fixed Shelves | 1 |
| Number of Crispers | 2 |

Freezer

| | |
|----------------------------|-------|
| Auto Close Drawer | Yes |
| Automatic Defrost | Yes |
| Basket Divider | Yes |
| Baskets / Bins Color | White |
| Interior Lighting | LED |
| Shelf Material | Glass |
| Number of Baskets / Bins | 1 |
| Number of Pull Out Shelves | 1 |
| Total Number of Shelves | 1 |

Ice Maker

| | |
|--------------------|----------------|
| Ice Maker | Yes |
| Ice Maker Location | Frozen Section |
| Ice Shape | Square |
| Second Ice Maker | No |

Controls

| | |
|------------------------|--------------|
| Air Filter Indicator | Yes |
| Control Location | Side of Door |
| Digital Display | Yes |
| Door Ajar Alarm | Yes |
| Ice Maker On/Off | Yes |
| Internal Control Lock | Yes |
| Mute Sound Control | Yes |
| On/Off Display | Yes |
| Power Failure Alarm | Yes |
| Power On/Off | Yes |
| Sabbath Mode | Yes |
| Water Filter Indicator | Yes |

Dispenser

| | |
|-------|-----|
| Water | Yes |
|-------|-----|

Exterior

| | |
|---------------|--------|
| Counter-Depth | No |
| Door Finish | Smooth |
| Door Stops | Yes |
| Front Rollers | Yes |
| Rear Rollers | No |

Dimensions and Volume

| | |
|----------------------------|--------------|
| Height With Hinge | 70" |
| Height Without Hinge | 68 3/10" |
| Width | 36" |
| Width of Cabinet | 35 6/10" |
| Depth of Cabinet | 28 1/2" |
| Depth With Door | 33 3/10" |
| Depth With Door 90° Open | 47 4/10" |
| Depth With Door and Handle | 35 7/10" |
| Freezer Capacity | 9 Cu. Ft. |
| Fresh Food Capacity | 19.8 Cu. Ft. |
| Total Capacity | 28.8 Cu. Ft. |

Note: For planning purposes only. Always consult local and national electric, gas and plumbing codes.

Refer to Product Installation Guide for detailed installation instructions on the web at frigidaire.com / frigidaire.ca

Specifications subject to change. Accessories information available on the web at frigidaire.com / frigidaire.ca

USA • 10200 David Taylor Drive • Charlotte, NC 28262 • 1-800-FRIGIDAIRE • frigidaire.com

CANADA • 5855 Terry Fox Way • Mississauga, ON L5V 3E4 • 1-800-265-8352 • frigidaire.ca

Frigidaire Gallery

28.8 Cu. Ft. French Door Refrigerator

GRFN2853AF

Version : 11/21

| | |
|----------------|--------------|
| Total Capacity | 28.8 Cu. Ft. |
|----------------|--------------|

Electrical Specifications

| | |
|--------------------------|----------|
| Amps @ 120 Volts | 3.3 Amps |
| Minimum Circuit Required | 15 Amps |

Connectivity

| | |
|------------------|-------------------|
| Annual Energy | 652 kWh |
| Condenser Type | Dynamic |
| Cooling System | Single Evaporator |
| Leveling Legs | Yes |
| Prop 65 Label | Yes |
| Refrigerant Type | R-600A |
| Warranty - Labor | 1 Year |
| Warranty - Parts | 1 Year |
| Wi-Fi Enabled | No |

Performance Certifications and Approvals

| | |
|-----------------------|-----|
| ENERGY STAR Certified | Yes |
|-----------------------|-----|

Safety Certifications and Approvals

| | |
|------------|-----|
| CSA Listed | Yes |
|------------|-----|

Note: For planning purposes only. Always consult local and national electric, gas and plumbing codes.

Refer to Product Installation Guide for detailed installation instructions on the web at frigidaire.com / frigidaire.ca

Specifications subject to change. Accessories information available on the web at frigidaire.com / frigidaire.ca

USA • 10200 David Taylor Drive • Charlotte, NC 28262 • 1-800-FRIGIDAIRE • frigidaire.com

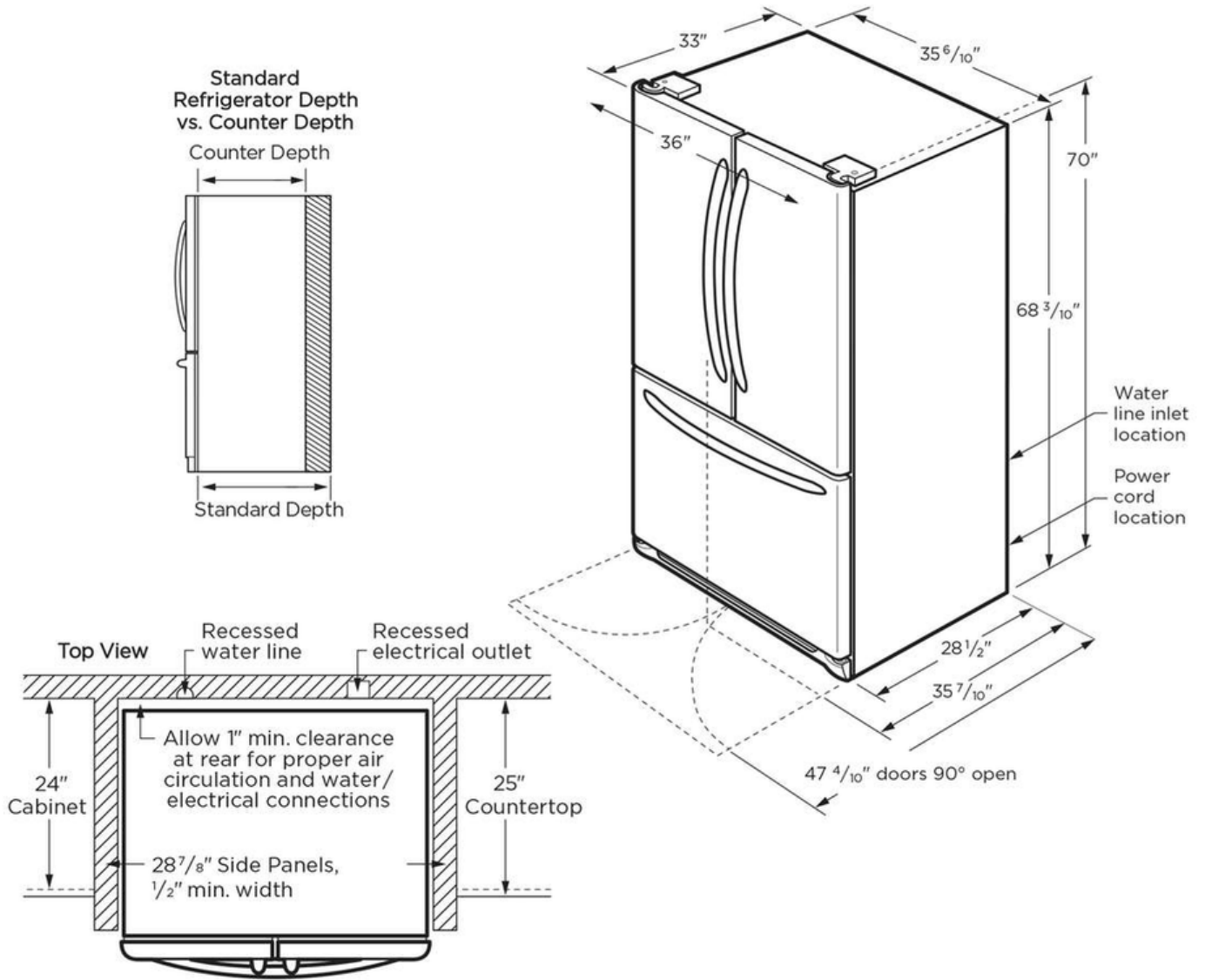
CANADA • 5855 Terry Fox Way • Mississauga, ON L5V 3E4 • 1-800-265-8352 • frigidaire.ca

Frigidaire Gallery

28.8 Cu. Ft. French Door Refrigerator

GRFN2853AF

Version : 11/21



Note: For planning purposes only. Always consult local and national electric, gas and plumbing codes.

Refer to Product Installation Guide for detailed installation instructions on the web at frigidaire.com / frigidaire.ca

Specifications subject to change. Accessories information available on the web at frigidaire.com / frigidaire.ca

USA • 10200 David Taylor Drive • Charlotte, NC 28262 • 1-800-FRIGIDAIRE • frigidaire.com

CANADA • 5855 Terry Fox Way • Mississauga, ON L5V 3E4 • 1-800-265-8352 • frigidaire.ca