

MLCP215/MLCL215

15" CLEAR ICE MACHINE

MARVEL CLASSIC COLLECTION



MAIN FEATURES

- Produces 3/4" clear ice cubes
- Produces up to 39 pounds of clear ice per day
- Stores up to 23 pounds of clear ice
- Ice scoop included with dedicated holder
- Factory-installed drain pump included
- Door ajar and cleaning alerts
- Arctic white LED theater-style lighting
- Elegant midnight black interior
- Reversible door allows for right or left swing
- Panel ready model requires 3/4" or 5/8" custom panel and handle (not supplied by Marvel)

WARRANTY

- 1-year parts and labor warranty and 5-year sealed system parts warranty (see complete warranty for details)

FINISH OPTIONS

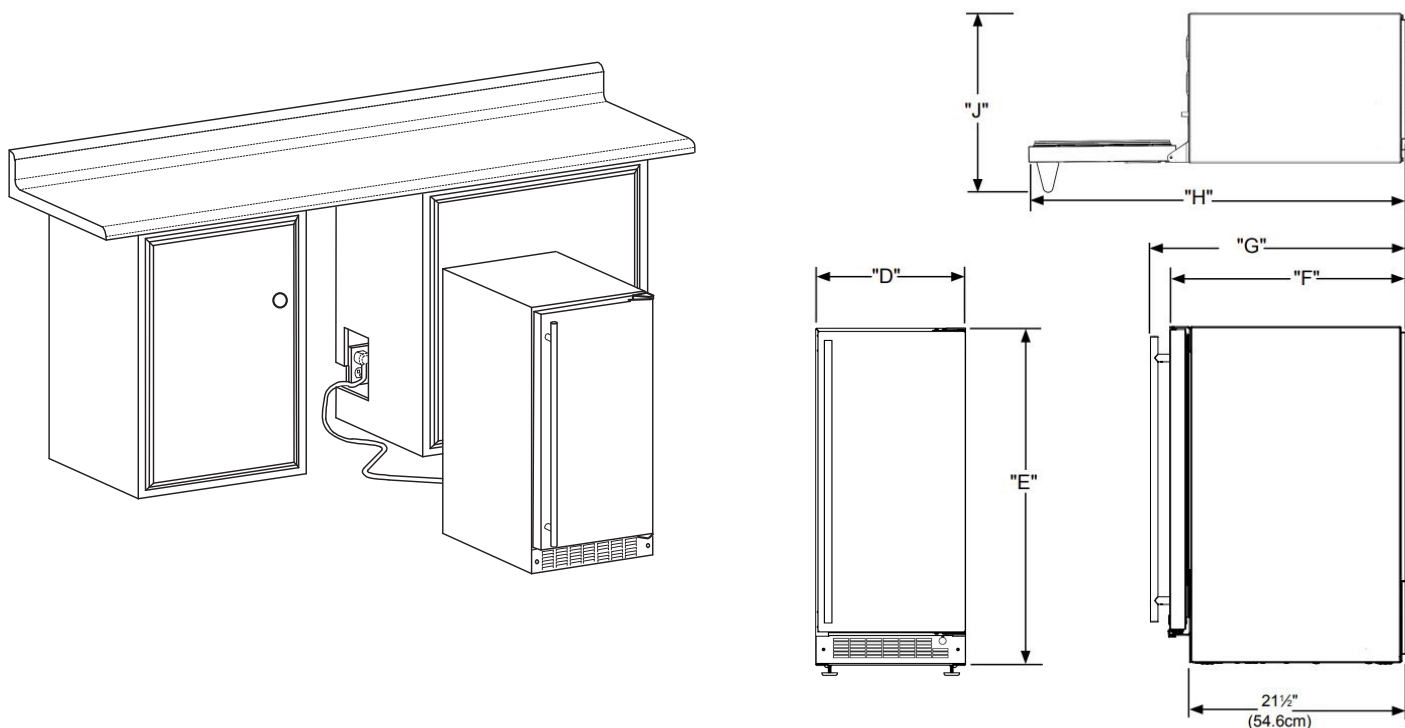


DOOR STYLE	PUMP	MODEL NUMBER
Stainless Steel Frame Glass	Yes	MLCP215-SG01B
Stainless Steel Frame Glass	No	MLCL215-SG01B
Solid Stainless Steel	Yes	MLCP215-SS01B
Solid Stainless Steel	No	MLCL215-SS01B
Solid Panel Ready	Yes	MLCP215-IS01B
Solid Panel Ready	No	MLCL215-IS01B





DIMENSIONAL DRAWINGS



ROUGH IN DIMENSIONS*

"A"	"B"	"C"
15"	34" to 35"	24"
(38.1 cm)	(86.4 cm to 88.9 cm)	(61 cm)

CABINET DIMENSIONS*

"D"	"E"	"F"	"G"	"H"	"J"
14-7/8"	33-3/4" to 34-3/4"	23-5/8"*	25-1/2"*	37-3/8"*	16-5/8"*
(37.8 cm)	(85.7 cm to 88.3 cm)	(60 cm)	(64.8 cm)	(94.9 cm)	(42.2 cm)

*Stainless steel model dimensions only. For panel-ready models, see the owner's guide online at marvelrefrigeration.com.

PRODUCT SPECIFICATIONS

Capacity	23 LBS
Cord Length	6 FT.
Electrical Requirements	115V / 60 Hz / 15A
ENERGY STAR	No
Panel Height	29-21/32" (75.4 cm)
Panel Thickness	5/8" (1.6 cm) or 3/4" (1.9 cm)
Panel Type	2-3/4" (7 cm) Solid Panel
Panel Width	14-3/4" (37.5 cm)
Refrigerant Type	R600a

Sabbath Mode	Yes
Shipping Dimensions	19" W x 31" D x 37" H
Shipping Weight	125 LBS

For comprehensive installation instructions, including panel overlay details, please visit marvelrefrigeration.com to access the owner's guide. All specifications are subject to change without notice.

