

# DWHD560CFP

## EMERALD® 5-PROGRAM DISHWASHER

PROFESSIONAL SERIES HANDLE



Home Connect

Also Available In:

DWHD560CFM – Flat Stainless Steel Panel with Masterpiece® Series Handle

DWHD560CPR – Custom Panel

### FEATURES & BENEFITS

- Chef's Tool Drawer (3rd Rack) is designed to make loading and unloading tools and hard to place items extraordinarily easier
- Sens-A-Wash® measures water cleanliness and adjusts wash cycle
- Three stage advanced filtration recirculates water for sparkling results
- 3-Level adjustable upper rack is customizable for all of your needs, designed to be raised for extra large items placed on the bottom rack, or lowered to fit taller wine glasses on the upper rack
- Extra Dry Option adds extra heat to the final rinse to enhance drying results
- Impressively Quiet® — 48 dBA for peaceful kitchen experience
- Thermador connected experience by Home Connect enables exclusive dishwasher features and appliance interaction through app, voice, smartwatch and more

### GENERAL PROPERTIES

|                                 |                     |
|---------------------------------|---------------------|
| Number Of Wash Cycles           | 5                   |
| Number Of Options               | 6                   |
| NSF®-Certified* Sanitize Option | Yes                 |
| dBA                             | 48                  |
| Third Rack                      | Chef's Tool Drawer® |
| Rack Adjustability              | Rackmatic 3-Stage   |
| Tub Material                    | Stainless Steel     |
| Control Type                    | Touch Control       |
| Concealed Water Heating Element | Yes                 |
| Leak Protection System          | 24/7 AquaStop®      |
| Water Softener                  | No                  |
| Five-Level Wash                 | Yes                 |
| Childlock                       | No                  |
| Home Connect (Wi-Fi Enabled)    | Yes                 |

### EFFICIENCY

|                                 |         |
|---------------------------------|---------|
| Water Usage Per Cycle           | 3.5 g   |
| Energy Efficiency Class         | Tier 1  |
| ENERGY STAR® Certified          | No      |
| Total Annual Energy Consumption | 269 kWh |
| Total Annual Water Consumption  | 624 g   |

### CAPACITY

|                          |    |
|--------------------------|----|
| Number Of Place Settings | 16 |
|--------------------------|----|

### TECHNICAL DETAILS

|  |                           |
|--|---------------------------|
| Watts  | 1,440 W                   |
| Current  | 12 A                      |
| Volts  | 120 V                     |
| Frequency  | 60 Hz                     |
| Power Cord Length  | 67"                       |
| Power Cord Install Length from Corner of Unit when Facing the Door | Left - 45"<br>Right - 56" |
| Minimum Water Pressure   | 14 (lb/sin)               |
| Max. Temperature for Water Intake                                  | 140° F                    |
| Length Inlet Hose  | N/A                       |
| Length Outlet Hose   | 79"                       |

### DIMENSIONS & WEIGHT

|                                      |                               |
|--------------------------------------|-------------------------------|
| Overall Appliance Dimensions (HxWxD) | 33 7/8" x 23 9/16" x 23 3/4"  |
| Required Cutout Size (HxWxD)         | 33 7/8" Min. x 24" Min. x 24" |
| Adjustable Feet                      | Yes                           |
| Net Weight                           | 93 lbs                        |

\*Certification to NSF/ANSI Standard 184 for residential dishwashers

# DWHD560CFP

## EMERALD® 5-PROGRAM DISHWASHER

PROFESSIONAL SERIES HANDLE



| WARRANTY  |                 |
|---|-----------------|
| Limited Warranty, Entire Appliance, Parts and Labor                       | 2 Year          |
| Limited Warranty for Microprocessor or Printed Circuit Board; Parts Only  | 3rd to 5th Year |
| Limited Warranty for Racks (Does Not Include Rack Components); Parts Only | 3rd to 5th Year |
| Limited Warranty for Rust-through On Inner Tub Liner; Parts Only          | Lifetime        |

| ACCESSORIES (OPTIONAL)  |            |
|---|------------|
| Dishwasher Installation Kit (Junction Box, 90° Elbow and Water Supply Hose) | SMZ3IN1UC  |
| Dishwasher Supply and Drainage Hose Extension 76 3/4"                       | SGZ1010UC  |
| Junction Box  | SMZPCJB1UC |
| Cabinet Protector with Power Cord Clip                                      | SMZEPCC1UC |
| Water supply hose   | SMZSH002UC |
| Dishwasher Accessory Kit**  | SMZ5000    |
| Duo Silverware basket   | SMZ4000UC  |
| Fine Silverware Carafe  | SMZ5002UC  |

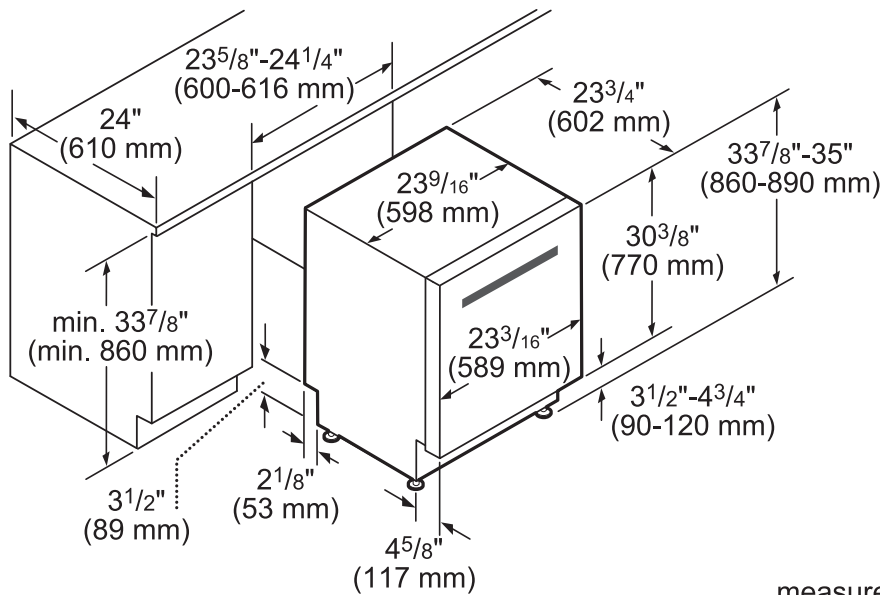


\*\*Accessory Kit includes Extra-Tall-Item Sprinkler, Vase / Bottle Holder, 3 Plastic Item Clips and Small Item Basket



Fine Silverware Carafe

### DISHWASHER & CUTOUT DIMENSIONS



measurements in inches and mm

These warranties give you specific legal rights and you may have other rights that vary from state to state. Limited warranty from date of purchase. For complete warranty details, refer to your Use & Care manual, or ask your dealer.

Specifications are for planning purposes only. Refer to installation instructions and consult your countertop supplier prior to making counter opening. Consult with a heating and ventilation engineer for your specific ventilation requirements. For the most detailed information, refer to installation instructions accompanying product or write to Thermador indicating the model number. Specifications are correct at time of printing. Thermador reserves the right to change product specifications or design without notice. Some models are certified for use in Canada. Thermador is not responsible for products that are transported from the U.S. for use in Canada.