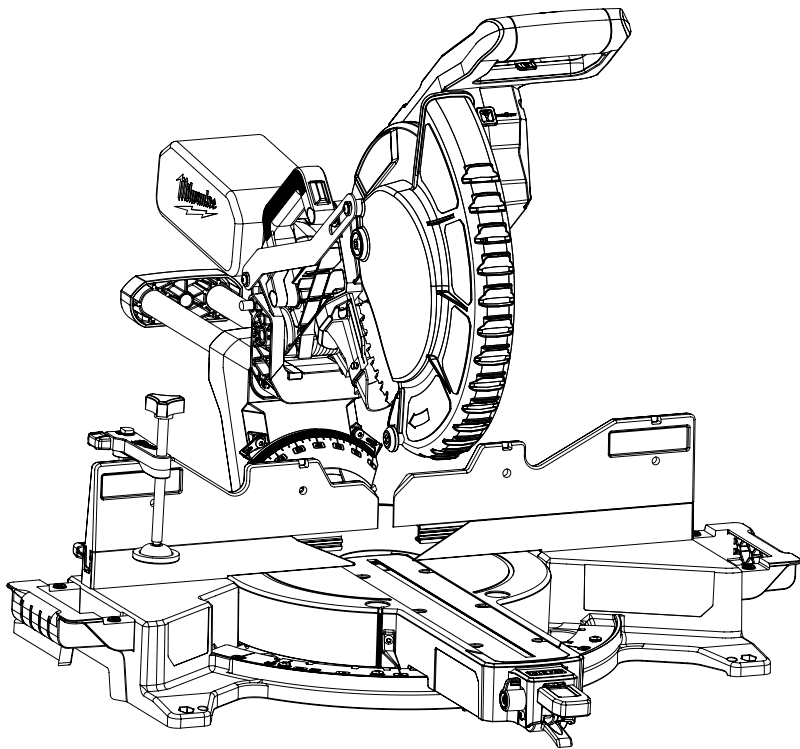




OPERATOR'S MANUAL
MANUEL de L'UTILISATEUR
MANUAL del OPERADOR



Cat. No. / No de cat.
2739-20

**M18 FUEL™ 12" DUAL BEVEL COMPOUND SLIDING MITER SAW
W/ ONE-KEY™**

**SCIE À ONGLETS COMPOSÉS COULISSANTE À DOUBLE
BISEAU DE 304 mm (12") M18 FUEL™ AVEC ONE-KEY™**

**SIERRA DE INGLETE COMPUESTA DESLIZANTE DE BISEL
DUAL DE 304 mm (12") M18 FUEL™ CON ONE-KEY™**



WARNING To reduce the risk of injury, user must read and understand operator's manual.

AVERTISSEMENT Afin de réduire le risque de blessures, l'utilisateur doit lire et bien comprendre le manuel.

ADVERTENCIA Para reducir el riesgo de lesiones, el usuario debe leer y entender el manual.

GENERAL POWER TOOL SAFETY WARNINGS

⚠WARNING Read all safety warnings, instructions, illustrations and specifications provided with this power tool. Failure to follow all instructions listed below may result in electric shock, fire and/or serious injury. Save all warnings and instructions for future reference. The term "power tool" in the warnings refers to your mains-operated (corded) power tool or battery-operated (cordless) power tool.

WORK AREA SAFETY

- Keep work area clean and well lit. Cluttered or dark areas invite accidents.
- Do not operate power tools in explosive atmospheres, such as in the presence of flammable liquids, gases or dust. Power tools create sparks which may ignite the dust or fumes.
- Keep children and bystanders away while operating a power tool. Distractions can cause you to lose control.

ELECTRICAL SAFETY

- Power tool plugs must match the outlet. Never modify the plug in any way. Do not use any adapter plugs with earthed (grounded) power tools. Unmodified plugs and matching outlets will reduce risk of electric shock.
- Avoid body contact with earthed or grounded surfaces, such as pipes, radiators, ranges and refrigerators. There is an increased risk of electric shock if your body is earthed or grounded.
- Do not expose power tools to rain or wet conditions. Water entering a power tool will increase the risk of electric shock.
- Do not abuse the cord. Never use the cord for carrying, pulling or unplugging the power tool. Keep cord away from heat, oil, sharp edges or moving parts. Damaged or entangled cords increase the risk of electric shock.
- When operating a power tool outdoors, use an extension cord suitable for outdoor use. Use of a cord suitable for outdoor use reduces the risk of electric shock.
- If operating a power tool in a damp location is unavoidable, use a ground fault circuit interrupter (GFCI) protected supply. Use of an GFCI reduces the risk of electric shock.

PERSONAL SAFETY

- Stay alert, watch what you are doing and use common sense when operating a power tool. Do not use a power tool while you are tired or under the influence of drugs, alcohol or medication. A moment of inattention while operating power tools may result in serious personal injury.
- Use personal protective equipment. Always wear eye protection. Protective equipment such as a dust mask, non-skid safety shoes, hard hat or hearing protection used for appropriate conditions will reduce personal injuries.
- Prevent unintentional starting. Ensure the switch is in the off-position before connecting to power source and/or battery pack, picking up or carrying the tool. Carrying power tools with your finger on the switch or energizing power tools that have the switch on invites accidents.
- Remove any adjusting key or wrench before turning the power tool on. A wrench or a key left attached to a rotating part of the power tool may result in personal injury.
- Do not overreach. Keep proper footing and balance at all times. This enables better control of the power tool in unexpected situations.

- Dress properly. Do not wear loose clothing or jewelry. Keep your hair and clothing away from moving parts. Loose clothes, jewelry or long hair can be caught in moving parts.
- If devices are provided for the connection of dust extraction and collection facilities, ensure these are connected and properly used. Use of dust collection can reduce dust-related hazards.
- Do not let familiarity gained from frequent use of tools allow you to become complacent and ignore tool safety principles. A careless action can cause severe injury within a fraction of a second.

POWER TOOL USE AND CARE

- Do not force the power tool. Use the correct power tool for your application. The correct power tool will do the job better and safer at the rate for which it was designed.
 - Do not use the power tool if the switch does not turn it on and off. Any power tool that cannot be controlled with the switch is dangerous and must be repaired.
 - Disconnect the plug from the power source and/or remove the battery pack, if detachable, from the power tool before making any adjustments, changing accessories, or storing power tools. Such preventive safety measures reduce the risk of starting the power tool accidentally.
 - Store idle power tools out of the reach of children and do not allow persons unfamiliar with the power tool or these instructions to operate the power tool. Power tools are dangerous in the hands of untrained users.
 - Maintain power tools and accessories. Check for misalignment or binding of moving parts, breakage of parts and any other condition that may affect the power tool's operation. If damaged, have the power tool repaired before use. Many accidents are caused by poorly maintained power tools.
 - Keep cutting tools sharp and clean. Properly maintained cutting tools with sharp cutting edges are less likely to bind and are easier to control.
 - Use the power tool, accessories and tool bits etc. in accordance with these instructions, taking into account the working conditions and the work to be performed. Use of the power tool for operations different from those intended could result in a hazardous situation.
 - Keep handles and grasping surfaces dry, clean and free from oil and grease. Slippery handles and grasping surfaces do not allow for safe handling and control of the tool in unexpected situations.
- ### BATTERY TOOL USE AND CARE
- Recharge only with the charger specified by the manufacturer. A charger that is suitable for one type of battery pack may create a risk of fire when used with another battery pack.
 - Use power tools only with specifically designated battery packs. Use of any other battery packs may create a risk of injury and fire.
 - When battery pack is not in use, keep it away from other metal objects, like paper clips, coins, keys, nails, screws or other small metal objects, that can make a connection from one terminal to another. Shorting the battery terminals together may cause burns or a fire.
 - Under abusive conditions, liquid may be ejected from the battery; avoid contact. If contact accidentally occurs, flush with water. If liquid contacts eyes, additionally seek medical help. Liquid ejected from the battery may cause irritation or burns.
 - Do not use a battery pack or tool that is damaged or modified. Damaged or modified batteries may exhibit unpredictable behavior resulting in fire, explosion or risk of injury.

- **Do not expose a battery pack or tool to fire or excessive temperature.** Exposure to fire or temperature above 265°F (130°C) may cause explosion.
- **Follow all charging instructions and do not charge the battery pack or tool outside the temperature range specified in the instructions.** Charging improperly or at temperatures outside the specified range may damage the battery and increase the risk of fire.

SERVICE

- **Have your power tool serviced by a qualified repair person using only identical replacement parts.** This will ensure that the safety of the power tool is maintained.
- **Never service damaged battery packs.** Service of battery packs should only be performed by the manufacturer or authorized service providers.

SPECIFIC SAFETY RULES FOR MITER SAWS

- **Miter saws are intended to cut wood or wood-like products, they cannot be used with abrasive cut-off wheels for cutting ferrous material such as bars, rods, studs, etc.** Abrasive dust causes moving parts such as the lower guard to jam. Sparks from abrasive cutting will burn the lower guard, the kerf insert and other plastic parts.
- **Use clamps to support the workpiece whenever possible.** If supporting the workpiece by hand, you must always keep your hand at least 100 mm from either side of the saw blade. Do not use this saw to cut pieces that are too small to be securely clamped or held by hand. If your hand is placed too close to the saw blade, there is an increased risk of injury from blade contact.
- **The workpiece must be stationary and clamped or held against both the fence and the table. Do not feed the workpiece into the blade or cut “freehand” in any way.** Unrestrained or moving workpieces could be thrown at high speeds, causing injury.
- **Push the saw through the workpiece. Do not pull the saw through the workpiece.** To make a cut, raise the saw head and pull it out over the workpiece without cutting, start the motor, press the saw head down and push the saw through the workpiece. Cutting on the pull stroke is likely to cause the saw blade to climb on top of the workpiece and violently throw the blade assembly towards the operator.
- **Never cross your hand over the intended line of cutting either in front or behind the saw blade.** Supporting the workpiece “cross handed” i.e. holding the workpiece to the right of the saw blade with your left hand or vice versa is very dangerous.
- **Do not reach behind the fence with either hand closer than 100 mm from either side of the saw blade, to remove wood scraps, or for any other reason while the blade is spinning.** The proximity of the spinning saw blade to your hand may not be obvious and you may be seriously injured.
- **Inspect your workpiece before cutting.** If the workpiece is bowed or warped, clamp it with the outside bowed face toward the fence. Always make certain that there is no gap between the workpiece, fence and table along the line of the cut. Bent or warped workpieces can twist or shift and may cause binding on the spinning saw blade while cutting. There should be no nails or foreign objects in the workpiece.
- **Do not use the saw until the table is clear of all tools, wood scraps, etc., except for the workpiece.** Small debris or loose pieces of wood or other objects that contact the revolving blade can be thrown with high speed.

- **Cut only one workpiece at a time.** Stacked multiple workpieces cannot be adequately clamped or braced and may bind on the blade or shift during cutting.
- **Ensure the miter saw is mounted or placed on a level, firm work surface before use.** A level and firm work surface reduces the risk of the miter saw becoming unstable.
- **Plan your work. Every time you change the bevel or mitre angle setting, make sure the adjustable fence is set correctly to support the workpiece and will not interfere with the blade or the guarding system.** Without turning the tool “ON” and with no workpiece on the table, move the saw blade through a complete simulated cut to assure there will be no interference or danger of cutting the fence.
- **Provide adequate support such as table extensions, saw horses, etc. for a workpiece that is wider or longer than the table top.** Workpieces longer or wider than the miter saw table can tip if not securely supported. If the cut-off piece or workpiece tips, it can lift the lower guard or be thrown by the spinning blade.
- **Do not use another person as a substitute for a table extension or as additional support.** Unstable support for the workpiece can cause the blade to bind or the workpiece to shift during the cutting operation pulling you and the helper into the spinning blade.
- **The cut-off piece must not be jammed or pressed by any means against the spinning saw blade.** If confined, i.e. using length stops, the cut-off piece could get wedged against the blade and thrown violently.
- **Always use a clamp or a fixture designed to properly support round material such as rods or tubing.** Rods have a tendency to roll while being cut, causing the blade to “bite” and pull the work with your hand into the blade.
- **Let the blade reach full speed before contacting the workpiece.** This will reduce the risk of the workpiece being thrown.
- **If the workpiece or blade becomes jammed, turn the miter saw off. Wait for all moving parts to stop and disconnect the plug from the power source and/or remove the battery pack. Then work to free the jammed material.** Continued sawing with a jammed workpiece could cause loss of control or damage to the miter saw.
- **After finishing the cut, release the switch, hold the saw head down and wait for the blade to stop before removing the cut-off piece.** Reaching with your hand near the coasting blade is dangerous.
- **Hold the handle firmly when making an incomplete cut or when releasing the switch before the saw head is completely in the down position.** The braking action of the saw may cause the saw head to be suddenly pulled downward, causing a risk of injury.

⚠WARNING To reduce the risk of injury in applications that produce a considerable amount of dust, use an OSHA compliant dust extraction solution in accordance with the solution’s operating instructions.

- **Always use common sense and be cautious when using tools.** It is not possible to anticipate every situation that could result in a dangerous outcome. Do not use this tool if you do not understand these operating instructions or you feel the work is beyond your capability; contact Milwaukee Tool or a trained professional for additional information or training.
- **Maintain labels and nameplates.** These carry important information. If unreadable or missing, contact a MILWAUKEE service facility for a free replacement.

WARNING Some dust created by power sanding, sawing, grinding, drilling, and other construction activities contains chemicals known to cause cancer, birth defects or other reproductive harm. Some examples of these chemicals are:

- lead from lead-based paint
 - crystalline silica from bricks and cement and other masonry products, and
 - arsenic and chromium from chemically-treated lumber.
- Your risk from these exposures varies, depending on how often you do this type of work. To reduce your exposure to these chemicals: work in a well ventilated area, and work with approved safety equipment, such as those dust masks that are specially designed to filter out microscopic particles.

SYMBOLOLOGY



Volts



Direct Current

n_0 XXXX min^{-1} No Load Revolutions per Minute (RPM)



No Hands Zone - Keep hands out of the No Hands Zone at all times during use. Contact with blade will result in serious injury.



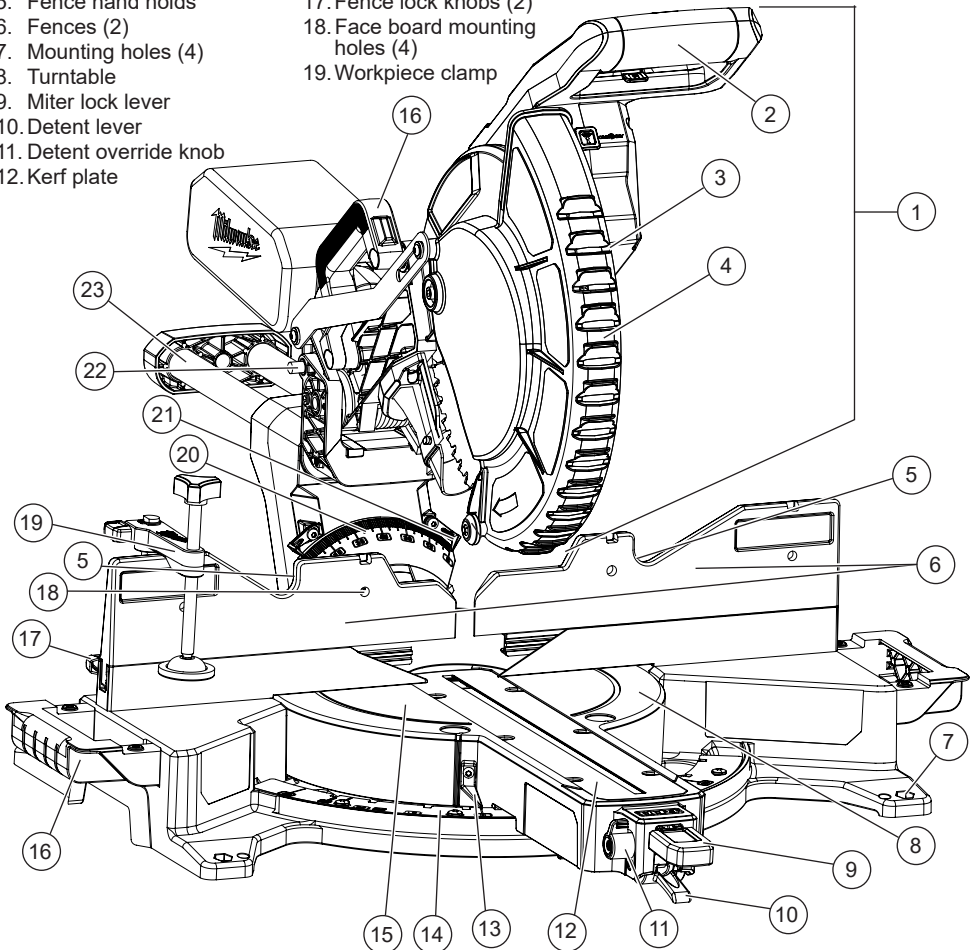
Read Operator's Manual



UL Listing for Canada and U.S.

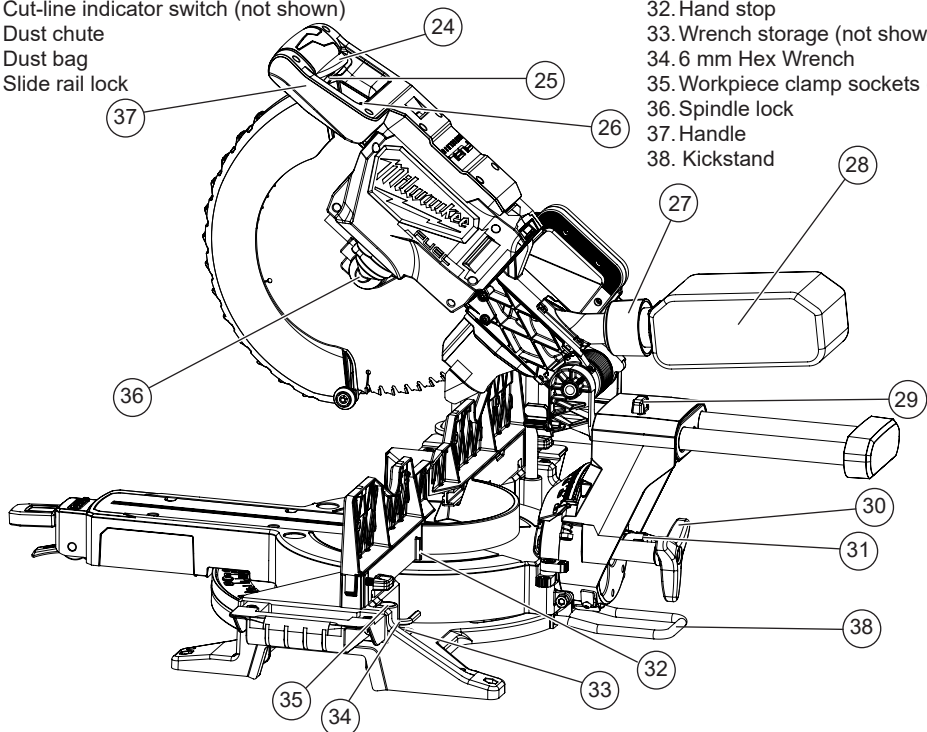
FUNCTIONAL DESCRIPTION

- | | | |
|--------------------------|-----------------------------------|-------------------------|
| 1. Saw head | 13. Miter angle pointer | 20. Bevel angle scale |
| 2. Trigger handle | 14. Miter angle scale | 21. Bevel angle pointer |
| 3. Light (not shown) | 15. No Hands Zone circle | 22. Head lock-down pin |
| 4. Lower guard | 16. Carrying handles | 23. Slide rails |
| 5. Fence hand holds | 17. Fence lock knobs (2) | |
| 6. Fences (2) | 18. Face board mounting holes (4) | |
| 7. Mounting holes (4) | 19. Workpiece clamp | |
| 8. Turntable | | |
| 9. Miter lock lever | | |
| 10. Detent lever | | |
| 11. Detent override knob | | |
| 12. Kerf plate | | |



- 24. Trigger
- 25. Trigger lock
- 26. Cut-line indicator switch (not shown)
- 27. Dust chute
- 28. Dust bag
- 29. Slide rail lock

- 30. Bevel knob
- 31. 0° stop pin
- 32. Hand stop
- 33. Wrench storage (not shown)
- 34. 6 mm Hex Wrench
- 35. Workpiece clamp sockets (2)
- 36. Spindle lock
- 37. Handle
- 38. Kickstand



SPECIFICATIONS

Cat. No.	2739-20
Volts.....	18 DC
Battery Type.....	M18™
Charger Type.....	M18™
Module/FCC ID.....	BLE113/QOQBLE113
No Load RPM.....	3600
Arbor Size.....	5/8"
Blade Size.....	12"
Blade Thickness (Kerf).....	Max 1/8"
Weight.....	47.6 lbs.
Recommended Ambient Operating Temperature.....	0°F to 125°F

CAPACITIES

Miter Cuts	
Max Height.....	3.8"
Max Width at 0° Miter.....	13.4"
Max Width at 45° Miter.....	9.3"
Bevel Cuts	
Max Height at 0° Bevel.....	3.8"
Max Height at Left 45° Bevel.....	2.5"
Max Height at Right 45° Bevel.....	1.6"
Compound Cuts (45° Miter and 45° Bevel)	
Left.....	9.3" W at 2.5" H
Right.....	9.3" W at 1.6" H
Workpiece Vertical Against Fence	
0° Miter / 0° Bevel.....	1.1" W at 6.8" H
Left 45° Miter / 0° Bevel.....	0.6" W at 6.8" H
Right 45° Miter / 0° Bevel.....	0.6" W at 6.8" H

ASSEMBLY

Installing the Carrying Handles

The carrying handles are used for transport as well as support extensions for cutting longer workpieces. Use the four bolts to attach the carrying handles to each side of the miter saw table, using the blade wrench provided. Tighten securely. Always lock the slide rails and lock down the saw head before transporting tool. Only carry tools by the carrying handles.

Installing the Kickstand

Lay the miter saw on its side. Insert the kickstand (the bend should angle toward the ground) into the two holes under the slide rails. Push the kickstand in until it won't go any further. To secure, insert and tighten the screw into the end of one kickstand prong.

Transporting and Storing

Always lock the saw head and slide rails before transporting and storing the tool. Only carry tools by the carrying handles.

Saw Head

To **lock**, press and hold down the saw head and then push in the lock-down pin.

To **unlock**, press and hold down the saw head and pull out the lock-down pin. Raise the saw head.

Slide Rails

To **unlock**, loosen the slide rail lock by turning it counterclockwise.

To **lock**, slide the saw head forward and tighten the slide rail lock by turning it clockwise.

Mounting the Miter Saw

To prevent the tool from sliding, falling or tipping from a raised work surface during operation, the saw should be mounted to a supporting surface such as a level, sturdy work table, bench, or miter saw stand. Position the saw and workbench to allow adequate room for cross-cutting long workpieces. To mount the saw to a flat surface, insert fasteners through the holes in the corners of the saw base and secure. Follow manufacturer instructions when mounting to a miter saw stand.

Dust collection

⚠WARNING Collected sawdust from coated (polyurethanes, linseed oil, etc.) workpieces can self-ignite in the dust bag or elsewhere and cause fire. To reduce the risk of fire, empty the dust bag frequently and never store or leave a saw without totally emptying its dust bag.

The dust port at the back of the saw can be connected to a standard workshop vacuum hose or the included dust bag. Leave the dust bag open to direct dust down into a garbage can.

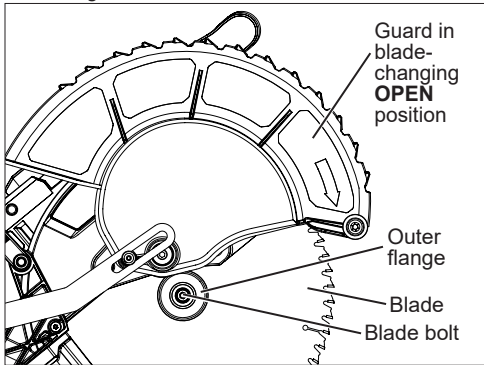
To install, push and twist the hose or dust bag onto the dust port.

Using Face Boards

When using face boards, secure them using the mounting holes in the fences. Face boards place distance between the fence and the workpiece, providing improved support for some workpieces. Workpiece splintering can be reduced by using face boards.

Selecting, Installing, and Changing Blades

Always use clean, sharp blades. Dull blades tend to overload the tool, bind, and cause pinching. Use only 12" sliding miter saw blades rated at least 5000 RPM.



1. **WARNING!** Remove battery to avoid starting the tool.
2. Lower the saw head.
3. Raise the lower guard and hold up while raising the saw head. Let go of the lower guard. The lower guard will remain up in the blade-changing OPEN position. **WARNING!** Be careful not to lower the guard head while changing the blade; the lower guard will fall back into place to cover the blade and could pinch hands and fingers.
4. Press in the spindle lock and rotate the spindle/blade until the lock engages.
5. Use the wrench to loosen and remove the left-hand thread blade bolt (clockwise).

6. Remove the outer blade flange and blade. Wipe the flanges and spindle to remove dust and debris. Inspect the parts for damage. Replace if needed.
7. Match the arrow direction on the blade with the arrow direction on the lower guard. Slide the blade onto the spindle.
8. Install the outer blade flange. The flat side of the flange must rest against the blade.
9. Press in the spindle lock and rotate the blade until the lock engages. Insert and securely tighten the blade bolt (counterclockwise) with the wrench.
10. Move hands out of the guard area and lower the saw head. The lower guard will fall back into place; verify it moves freely.
11. Check the clearance between the blade, kerf plate, and fences. Always use the kerf plate. Kerf plates reduce tear-out and splintering along the cut by providing edge support.

⚠WARNING Recharge only with the charger specified for the battery. For specific charging instructions, read the operator's manual supplied with your charger and battery.

Removing/Inserting the Battery

To **remove** the battery, push in the release buttons and pull the battery pack away from the tool.

⚠WARNING Always lock the trigger or remove the battery pack any time the tool is not in use.

To **insert** the battery, slide the pack into the body of the tool. Make sure it latches securely into place.

⚠WARNING Only use accessories specifically recommended for this tool. Others may be hazardous.

ONE-KEY™

To learn more about the ONE-KEY™ functionality for this tool, go to milwaukee.com/One-Key. To download the ONE-KEY™ app, visit the App Store® or Google Play™ from your smart device.

ONE-KEY™ Indicator	
Solid Blue	Wireless mode is active and ready to be configured via the ONE-KEY™ app.
Blinking Blue	Tool is actively communicating with the ONE-KEY™ app.
Blinking Red	Tool is in security lockout and can be unlocked by the owner via the ONE-KEY™ app.

ADJUSTMENTS

⚠WARNING Always remove the battery pack before changing accessories or making adjustments. Do not defeat the guards.

No Hand Zone

⚠WARNING Keep hands out of the No Hands Zone at all times during use. Contact with blade will result in serious injury.



If your hand is placed too close to the saw blade, there is an increased risk of injury from blade contact. Use the No Hand Zone indicators to ensure hands are kept a safe distance from the blade.

No Hand Zone Indicators:

- No Hands Zone Circle (groove around turntable)
- Fence Hand Holds (notches on top of fences)
- Hand Stops (used when fence is removed)

Never cross your hand over the intended line of cutting either in front or behind the saw blade. The proximity of the spinning saw blade to your hand may not be obvious and you may be seriously injured. Saw head may slide/move, putting your safety at risk. Always wait for the blade to stop completely before raising the head, moving workpiece or changing settings.

Select the Workpiece Carefully

Be cautious of pitchy, knotty, wet or warped workpieces. These materials are likely to create pinching conditions. Workpieces that bow and pinch may result in kick back. Inspect for and remove nails before cutting. Always keep blades clean and sharp; otherwise the blade produces a narrow kerf and is likely to be pinched by the workpiece. This tool is not recommended for cutting ferrous metals such as iron and steel. See Applications for a more complete list of materials that can be cut.

Support the Workpiece Properly

Always support the workpiece during operation. Otherwise, the workpiece may pull up and into the saw. **WARNING!** Use clamps to support the workpiece whenever possible to keep hands far from the blade. Do not use this saw to cut pieces that are held by hand or too small to be securely clamped.

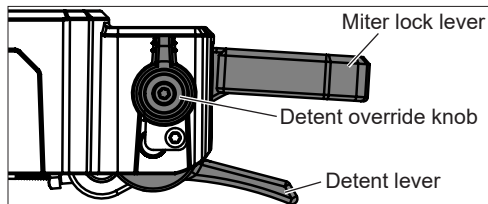
1. **Use the Fence:** Hold the workpiece flush against the fence to provide a straight path for the saw blade. This will help eliminate the tendency for the blade teeth to bind. The fence can be used as a support for miter, bevel and compound cuts. **WARNING!** Keep hands out of the No Hands Zone at all times during use. Use the fence hand holds to ensure your hands do not enter the No Hands Zone.
2. **Use the workpiece clamp:** Clamp the workpiece to the table with the included clamp. The clamp can be moved to either side of the table.
 - a. Insert the clamp bar into either clamp socket behind the fences.
 - b. Turn the clamp bar until it seats fully into the socket.
 - c. Rotate the clamp around so the screw is above the table.
 - d. Tighten the clamp screw to secure the workpiece to the table.
3. **Use a C-clamp:** Clamp the workpiece to the fence with a C-clamp.

Support of Longer Workpieces

Longer workpieces need support along their full length. If you are using the saw on a level work bench, prop up the workpiece to a height of 3" ((2) 2"x4" stacked flat) from the bottom of the saw feet. There are also many aftermarket work tables specifically designed for miter saws that provide supports for all types of workpieces.

Adjusting the Miter Angle

The miter angle can be set using detents for commonly cut angles (0°, 15°, 22.5°, 31.6°, and 45°), as well as finely adjusted to any angle to compensate for a custom situation.



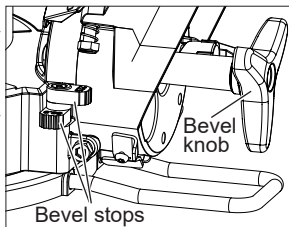
1. **WARNING!** Remove battery to avoid starting the tool.
2. Lift up the miter lock lever to release the turntable.
3. Lift the detent lever and rotate the turntable to the detent angle closest to the desired angle.
4. To make a fine adjustment to the miter angle:
 - a. Lift the detent lever.
 - b. Rotate the detent override knob forward.
 - c. Rotate the turntable to the exact angle.
5. Press down the miter lock lever to lock the adjustment in place and avoid shifting during use.

Adjusting the Bevel Angle

The bevel can be adjusted to any angle from 0° to 48°, left or right.

1. **WARNING!** Remove battery to avoid starting the tool.
2. Loosen the bevel knob.
3. Tilt the saw head to the desired angle.

NOTE: To overcome the 0° stop, hold the saw head left of 0°, then pull out the 0° stop pin and tilt the saw head to the desired angle.
4. Tighten the bevel knob securely to lock the bevel adjustment in place.
5. For precise angles (22.5°, 33.9°, or 30.0°), position the desired engraved bevel stop accordingly. The upper bevel stop allows for 22.5°. The lower bevel stop allows for 33.9° and 30.0° on reverse



sides. To access the 30.0° bevel stop, using the long end of the on-board allen tool, remove the 22.5° bevel stop, then remove the lower bevel stop and flip until the 30.0° engraving is facing up. Secure the lower bevel stop before proceeding. Remember to reinstall the 22.5° bevel stop when finished.

Adjusting the Fences

Every time the bevel or mitre angle settings are changed, make sure the fences are set correctly.

Fences **MUST**:

- Support the workpiece
 - Not interfere with the blade or lower guard
 - Be adjusted to keep hands out of the No Hand Zone
- To adjust the Fences

1. **WARNING!** Remove battery to avoid starting the tool.
2. Loosen the fence lock thumb screw.
3. Slide the fences side-to-side to the desired position to allow for a bevel or compound miter cut. Position the fences properly for maximum work support while maintaining hand safety. **WARNING!** Ensure fence hand holds are positioned to keep hands out of the No Hand Zone.
4. Tighten the fence lock thumb screws securely before making a cut.

NOTE: If either fence has any movement forward to backward, tighten the fence lock thumb screw, located on the back of each fence slot.
5. With the saw **OFF** and the workpiece removed from the table, slowly lower the saw head completely to ensure the guard and blade do not contact the fences when making miter and bevel cuts.

Guards

The lower guard should cover the blade when the saw head is up and it should move freely and open automatically as the saw head is lowered into the workpiece. **WARNING!** Never disable or remove guards. Only push the lower guard into the OPEN position when changing blades.

If the lower guard appears loose, sticks, or does not cover the blade when the saw head is up, take the saw to an authorized service center for repairs.

Ensure the Fences are adjusted properly to allow for free-movement of the guards during the complete movement of the cut.

Setting for Chop Cuts

The slides can be locked and the saw head set in the proper position to use the saw for chop cuts (cuts not requiring the use of the slides).

1. To **lock**, pull the head forward and tighten the slide rail lock.
2. To **unlock**, pull the head forward and loosen the slide rail lock.

OPERATION

WARNING To reduce the risk of injury, always wear proper eye protection marked to comply with ANSI Z87.1.

Keep hands and body out of the path of the saw blade. Contact with blade will result in serious injury. Check guarding system to make sure it is functioning correctly. Do not operate saw without guards in place. Do not perform any operation freehand. Never reach around saw blade. Turn off tool and wait for saw blade to stop before moving workpiece or changing settings. Tighten all adjustments prior to use.

When working in dusty situations, wear appropriate respiratory protection or use an OSHA compliant dust extraction solution.

Cut Line Indicator

The cut-line indicator shines down the blade, casting a shadow where the blade will meet the workpiece. No calibration/adjustments will be needed as the shadow will always be true to the blade location.

Use the cut-line indicator switch to turn on the light before making a cut. The light will go off automatically about 9 seconds after use.

WARNING To reduce the risk of injury, do not rely on the brake as a safety feature. Always wait until the blade stops completely before allowing anything near the blade.

To reduce the risk of injury, make sure all adjustments are securely locked before making a cut.

Starting and Stopping the Tool

Always hold the trigger handle firmly because the starting and stopping action of the motor may cause the handle to move up or down slightly. **WARNING!** Always press down miter lock lever and tighten all adjustments prior to use. **WARNING!** Ensure hands are out of the No Hands Zone.

1. To **start** the motor, push down the trigger lock and pull the trigger.

2. To **stop** the motor, release the trigger. The electric brake will stop the blade in about 4 seconds. **WARNING!** The brake is not a substitute for the guards and could fail; always wait for the blade to stop completely before removing the blade from the workpiece. If the brake fails to stop the blade or misses frequently, return the tool to a MILWAUKEE service facility for repair.

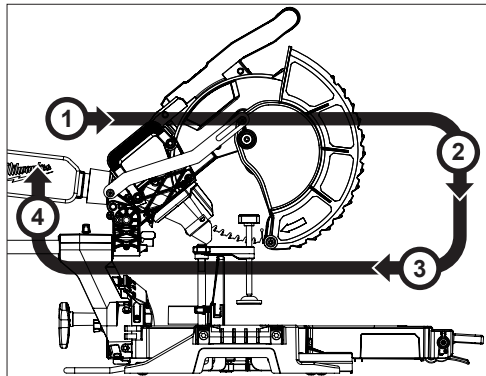
Making a Chop Cut

Cut workpieces with chop cuts whenever possible. Only use sliding cuts (cross cuts) when necessary.

1. Select the desired angles and adjust the fences to ensure fence hand holds are positioned to keep hands out of the No Hand Zone.
2. Place the workpiece on the turntable and line up the cut.
3. Insert battery pack.
4. Support the workpiece using any of the methods described in "Support the Workpiece Properly".
5. **WARNING!** Keep hands out of the No Hands Zone at all times during use. Contact with blade will result in serious injury.
6. Start the motor. Wait a few seconds for the blade to reach full speed. Then gently lower the saw head into the workpiece all the way through the cut. **WARNING!** Do not allow the blade to contact the workpiece while tool is ramping up.
7. Always allow the saw to do the work. Forcing the tool may stall or overheat the motor.
8. After the cut is complete, release the trigger and wait for the blade to stop completely. Raise the saw head and remove the workpiece. **WARNING!** If small cut-off pieces get caught in the guard area, remove battery pack before clearing.

Making a Sliding Cut (Cross Cut)

Wider workpieces can be cut using the sliding mechanism. Always use chop cut whenever possible.



1. Make sure that the slide rail transport lock is loose, and the saw head moves freely back and forth.
2. Select the desired angles and adjust the fences to ensure fence hand holds are positioned to keep hands out of the No Hand Zone.
3. Place the workpiece on the turntable and line up the cut.
4. Insert battery pack.
5. Support the workpiece using any of the methods described in "Support the Workpiece Properly".
6. **WARNING!** Keep hands out of the No Hands Zone at all times during use. Contact with blade will result in serious injury.

7. Raise saw head and pull it out OVER the workpiece WITHOUT cutting.
8. Start the motor. Wait a few seconds for the blade to reach full speed. **WARNING!** Do not allow the blade to contact the workpiece while tool is ramping up.
9. Press down on saw head.
10. Push saw through the cut. **WARNING!** Return saw head to the full rear position after each crosscut operation.
11. After the cut is complete, release the trigger and wait for the blade to stop completely. Raise the saw head and remove the workpiece. **WARNING!** If small cut-off pieces get caught in the guard area, remove battery pack before clearing.

Miter Range	Miter Detents (Stops)
0° to 55° Left 0° to 60° Right	0°, 15°, 22.5°, 31.62°, 45°, 55° Left 0°, 15°, 22.5°, 31.62°, 45°, 60° Right
Bevel Range	Bevel Detents (Stops)
0° to 48° Left 0° to 48° Right	0°, 48° Left 0°, 48° Right
Base Molding Capacity	Nested Crown Capacity
6-3/4" at 0° 6-3/4" at 45° Left 6-3/4" at 45° Right	7-1/2"

APPLICATIONS

⚠WARNING Do not cut stone, brick, concrete, magnesium, or ferrous metals (iron, steel, stainless steel, or alloys of these metals) with this saw.

Do not use abrasive wheels with this saw.

Dust created by cutting these materials and/or using abrasive cut-off wheels can jam the blade guard and possibly cause personal injury.

Recommended Materials and Applications

The following materials can be cut with the compound sliding miter saw. There are many types of saw blades available. Always use the proper blade for the particular material and application. Use only 7-1/4" sliding miter saw blades rated at least 5000 RPM.

- Wood** - solid wood, plywood, particle board, MDF (medium density fiberboard), HDF (high density fiberboard), melamine laminated particle board, formica laminates, hardboard (masonite).
- Plastics** - PVC, CPVC, ABS, solid surfacing materials (such as Corian®), and other plastic materials. When cutting plastic, avoid overheating the blade and blade teeth to prevent melting the workpiece.
- Nonferrous Metals** - aluminum, brass, copper, and other non-ferrous materials.

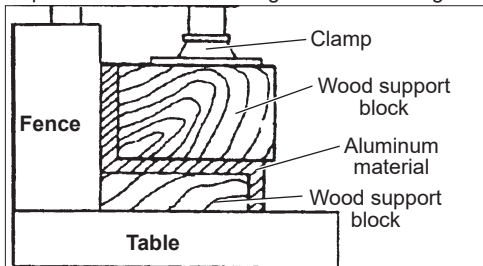
Cutting Non-Square Materials

Cutting Round (Cylindrical) Materials

"V" shaped blocks can be used to support round materials like closet rod and plastic pipe.

Aluminum Sash and Other Channel Type and Materials

Aluminum sash material can be supported with blocks to prevent it from deforming while it is being cut.



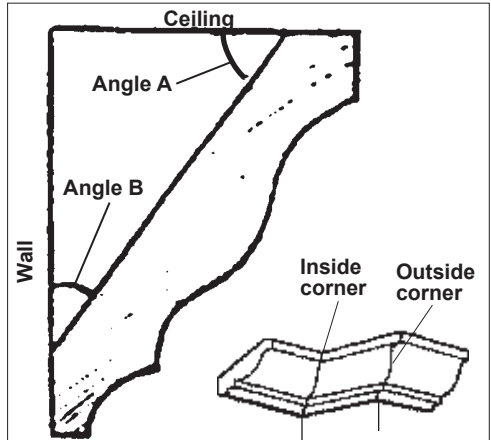
Two Methods for Cutting Crown Molding

The angles created on a piece of crown molding that fits flat against the ceiling and wall will, when added together, equal 90° (A + B = 90°). The most common crown molding angles are :

52°/38°: A 52° angle against the ceiling (A) and a 38° angle against the wall (B). The miter saw has special miter settings at 31.6° left and right and a bevel setting at 33.9° to use when cutting 52°/38° crown molding flat on the miter saw table. These settings are identified with a diamond mark.

45°/45°: A 45° angle against the ceiling (A) and a 45° angle against the wall (B). The miter saw has special miter settings at 35.3° left and right and a bevel setting at 30° to use when cutting 45°/45° crown flat on the miter saw table. These settings are identified with a black circle.

NOTE: Even though all of these angles are standard, rooms are very rarely constructed so the corners are exactly 90°. You will need to "fine tune" these settings and make necessary adjustments to the cutting angles.



Cutting Crown Molding Flat on the Miter Saw Table

The advantage of cutting crown molding flat on the table is that it is easier to secure the molding at the correct cutting position. Also larger pieces of crown molding may be cut lying flat on the miter saw table.

1. Set the bevel and miter angles using the Crown Molding Miter Angles chart. Tighten the miter lock lever and the bevel adjustment lever.

- Using the Positioning section below, correctly position the molding.

NOTE: Always make a test cut on scrap material to confirm all angles are correct.

- Make the cut according to "Making a Chop Cut".

Cutting Crown Molding Angled Against the Fence (Nested – in position)

Always use a crown stop (Cat.No. 43-98-0295) when cutting crown molding angled against the fence. When cutting crown molding angled against the fence does not require bevel settings. Small changes in the miter angle can be made without affecting the bevel angle. When using this method the saw can be quickly and easily adjusted for corners that are not 90° (square).

Positioning

Standard (U.S.) crown molding with 52° and 38° angles (set bevel angle to 33.85°)

Left side, inside corner

- Top edge of molding against fence
- Miter table set right 31.62°
- Save left end of cut

Right side, inside corner

- Bottom edge of molding against fence
- Miter table set left 31.62°
- Save left end of cut

Left side, outside corner

- Bottom edge of molding against fence
- Miter table set left 31.62°
- Save right end of cut

Right side, outside corner

- Top edge of molding against fence
- Miter table set right 31.62°
- Save right end of cut

Standard (U.S.) crown molding with 45° angles (set bevel angle to 0°)

Left side, inside corner

- Top edge of molding against fence
- Miter table set right 45°
- Save left end of cut

Right side, inside corner

- Bottom edge of molding against fence
- Miter table set left 45°
- Save left end of cut

Left side, outside corner

- Bottom edge of molding against fence
- Miter table set left 45°
- Save right end of cut

Right side, outside corner

- Top edge of molding against fence
- Miter table set right 45°
- Save right end of cut

MAINTENANCE

▲WARNING To reduce the risk of injury, always unplug the charger and remove the battery pack from the charger or tool before performing any maintenance. Never disassemble the battery pack, charger, or tool, except as provided in these instructions. Contact a MILWAUKEE service facility for all other repairs.

Maintaining Tool

Keep your tool, battery pack and charger in good repair by adopting a regular maintenance program. Inspect your tool for issues such as undue noise, misalignment or binding of moving parts, breakage of parts, or any other condition that may affect the tool operation. Return the tool, battery pack, and charger to a MILWAUKEE service facility for repair. After six months to one year, depending on use, return the tool, battery pack and charger to a MILWAUKEE service facility for inspection.

If the tool does not start or operate at full power with a fully charged battery pack, clean the contacts on the battery pack. If the tool still does not work properly, return the tool, charger and battery pack, to a MILWAUKEE service facility for repairs.

Adjusting the Miter Saw

This Miter Saw is fully adjusted at the factory. If it is not accurate due to shipping and handling, please follow these steps to accurately set up your saw. Once the saw is properly adjusted, it should remain accurate under normal jobsite and transportation conditions.

Squaring the Blade (90°) to the Fence (0° Miter)

- WARNING!** Remove battery to avoid starting the tool.
- Place a square against the fence and blade and ensure that the square is not touching blade teeth as this will cause an inaccurate measurement.
- Loosen the miter lock lever and move the saw to the 0° miter position. Do not tighten the lock lever.
- If the saw blade is not exactly perpendicular to the fence, use the supplied wrench to loosen the screws that hold the miter scale to the table. Move the scale left or right until the blade is perpendicular to the fence. Use the square to verify that the blade is perpendicular to the fence. Retighten the screws.
- Loosen the miter pointer adjustment screw and reposition the pointer so that it indicates exactly zero. Once the pointer is properly positioned, retighten the miter pointer adjustment screw.

Squaring the Blade (90°) to the Table (0° Bevel)

- WARNING!** Remove battery to avoid starting the tool.
- Remove the chip deflector and dust chute assembly.
- Move the bevel adjustment lever to the middle position and wedge in a tool (screw driver etc.) so the handle stay in the middle position. Move the saw head so that the bevel detent mechanism locks into the 0° bevel detent.
- Place a square against the table and blade and ensure that the square is not touching blade teeth as this will cause an inaccurate measurement.
- Loosen 2 screws (T25) on the front of the bevel arm, these screws are used to clamp the detent body.
- Using a T25 wrench you can adjust the bevel setting of the blade-to-table. Clockwise tilts blade to the right, counterclockwise tilts blade to the left.
- When you have the blade set to the 0° bevel, torque the 2 screws to 95-105 in lbs.
- Remove the tool used to wedge the bevel adjustment lever.
- Move the bevel adjustment lever to "lock".
- Reassemble the chip deflector and dust chute assembly, tightening the screws securely.
- If necessary, loosen the left and right bevel pointer adjustment screws and reposition the pointers so that they indicate exactly zero. Once the pointers are properly positioned, retighten the bevel pointer adjustment screw.

ONE-KEY™

WARNING Chemical Burn Hazard. This device contains a lithium button/coin cell battery. A new or used battery can cause severe internal burns and lead to death in as little as 2 hours if swallowed or enters the body. Always secure the battery cover. If it does not close securely, stop using the device, remove the batteries, and keep it away from children. If you think batteries may have been swallowed or entered the body, seek immediate medical attention.



Internal Coin Cell Battery

An internal coin cell battery is used to facilitate full ONE-KEY™ functionality.

To replace the coin cell battery:

1. **WARNING!** Remove tool's battery to avoid starting the tool.
2. Remove the screw(s) and open the coin cell battery door.
3. Remove the old coin cell battery, keep it away from children, and dispose of it properly.
4. Insert the new coin cell battery (3V CR2032), with the positive side facing up.
5. Close the battery door and tighten the screw(s) securely.

WARNING To reduce the risk of personal injury and damage, never immerse your tool, battery pack or charger in liquid or allow a liquid to flow inside them.

Cleaning

Clean dust and debris from any vents. Keep tool clean, dry and free of oil or grease. Use only mild soap and a damp cloth to clean, since certain cleaning agents and solvents are harmful to plastics and other insulated parts. Some of these include gasoline, turpentine, lacquer thinner, paint thinner, chlorinated cleaning solvents, ammonia and household detergents containing ammonia. Never use flammable or combustible solvents around tools.

Repairs

For repairs, return the tool, battery pack and charger to the nearest authorized service center.

ACCESSORIES

WARNING Use only recommended accessories. Others may be hazardous.

For a complete listing of accessories, go online to www.milwaukeeetool.com or contact a distributor.

WIRELESS COMMUNICATION

For products provided with wireless communication features, including ONE-KEY™:

Pursuant to part 15.21 of the FCC Rules, do not modify this product. Modification could void your authority to operate the product. This device complies with part 15 of the FCC Rules and ISED-Canada's license exempt RSS standards. Operation is subject to the following two conditions: 1) This device may not cause harmful interference, and 2) This device must accept any interference received, including interference that may cause undesired operation.

SERVICE - UNITED STATES

1-800-SAWDUST (1.800.729.3878)

Monday-Friday, 7:00 AM - 6:30 PM CST

or visit www.milwaukeeetool.com

Contact Corporate After Sales Service Technical Support with technical, service/repair, or warranty questions.

Email: metproductsupport@milwaukeeetool.com

Become a Heavy Duty Club Member at www.milwaukeeetool.com to receive important notifications regarding your tool purchases.

SERVICE - CANADA

Milwaukee Tool (Canada) Ltd

1.877.948.2360

Monday-Friday, 7:00 AM - 4:30 PM CST

or visit www.milwaukeeetool.ca

LIMITED WARRANTY USA & CANADA

This MILWAUKEE power tool* is warranted to the original purchaser from an authorized MILWAUKEE distributor only to be free from defects in material and workmanship. Subject to certain exceptions, MILWAUKEE will repair or replace any part on this power tool which, after examination, is determined by MILWAUKEE to be defective in material or workmanship for a period of five (5) years after the date of purchase unless otherwise noted. Return of the power tool to a MILWAUKEE factory Service Center location or MILWAUKEE Authorized Service Station, freight prepaid and insured, is required. A copy of the proof of purchase should be included with the return product. This warranty does not apply to damage that MILWAUKEE determines to be from repairs made or attempted by anyone other than MILWAUKEE authorized personnel, misuse, alterations, abuse, normal wear and tear, lack of maintenance, or accidents.

Normal Wear: Many power tools need periodic parts replacement and service to achieve best performance. This warranty does not cover repair when normal use has exhausted the life of a part including, but not limited to, chucks, brushes, cords, saw shoes, blade clamps, o-rings, seals, bumpers, driver blades, pistons, strikers, lifters, and bumper cover washers.

*This warranty does not cover battery packs or all power tools. Refer to the separate and distinct warranties available for those products. The warranty period for the LED in the LED Work Light (49-24-0171) and the LED Upgrade Bulb (49-81-0090) is the lifetime of the product subject to the limitations above. If during normal use the LED or LED Upgrade Bulb fails, the part will be replaced free of charge.

Warranty Registration is not necessary to obtain the applicable warranty on a MILWAUKEE power tool product. The manufacturing date of the product will be used to determine the warranty period if no proof of purchase is provided at the time warranty service is requested.

ACCEPTANCE OF THE EXCLUSIVE REPAIR AND REPLACEMENT REMEDIES DESCRIBED HEREIN IS A CONDITION OF THE CONTRACT FOR THE PURCHASE OF EVERY MILWAUKEE PRODUCT. IF YOU DO NOT AGREE TO THIS CONDITION, YOU SHOULD NOT PURCHASE THE PRODUCT. IN NO EVENT SHALL MILWAUKEE BE LIABLE FOR ANY INCIDENTAL, SPECIAL, CONSEQUENTIAL, OR PUNITIVE DAMAGES, OR FOR ANY COSTS, ATTORNEY FEES, EXPENSES, LOSSES OR DELAYS ALLEGED TO BE AS A CONSEQUENCE OF ANY DAMAGE TO, FAILURE OF, OR DEFECT IN ANY PRODUCT INCLUDING, BUT NOT LIMITED TO, ANY CLAIMS FOR LOSS OF PROFITS. SOME STATES DO NOT ALLOW THE EXCLUSION OR LIMITATION OF INCIDENTAL OR CONSEQUENTIAL DAMAGES, SO THE ABOVE LIMITATION OR EXCLUSION MAY NOT APPLY TO YOU. THIS WARRANTY IS EXCLUSIVE AND IN LIEU OF ALL OTHER EXPRESS WARRANTIES, WRITTEN OR ORAL. TO THE EXTENT PERMITTED BY LAW, MILWAUKEE DISCLAIMS ANY IMPLIED WARRANTIES, INCLUDING WITHOUT LIMITATION ANY IMPLIED WARRANTY OF MERCHANTABILITY OR FITNESS FOR A PARTICULAR USE OR PURPOSE. TO THE EXTENT SUCH DISCLAIMER IS NOT PERMITTED BY LAW, SUCH IMPLIED WARRANTIES ARE LIMITED TO THE DURATION OF THE APPLICABLE EXPRESS WARRANTY AS DESCRIBED ABOVE. SOME STATES DO NOT ALLOW LIMITATIONS ON HOW LONG AN IMPLIED WARRANTY LASTS, SO THE ABOVE LIMITATION MAY NOT APPLY TO YOU. THIS WARRANTY GIVES YOU SPECIFIC LEGAL RIGHTS, AND YOU MAY ALSO HAVE OTHER RIGHTS WHICH VARY FROM STATE TO STATE.

This warranty applies to product sold in the U.S.A. and Canada only. Please consult the "Service Center Search" in the Parts & Service section of MILWAUKEE's website www.milwaukeeetool.com or call 1.800.SAWDUST (1.800.729.3878) to locate your nearest service facility for warranty and non-warranty service on a MILWAUKEE power tool.

RÈGLES DE SÉCURITÉ GÉNÉRALES RELATIVES AUX OUTILS ÉLECTRIQUES

⚠ AVERTISSEMENT Lire toutes les consignes de sécurité, consignes, illustrations et spécifications fournies avec cet outil électrique. Ne pas suivre l'ensemble des règles et instructions peut entraîner une électrocution, un incendie ou des blessures graves. **Conserver les règles et les instructions à des fins de référence ultérieure.** Le terme «outil électrique» figurant dans les avertissements ci-dessous renvoie à l'outil électrique à alimentation par le réseau (à cordon) ou par batterie (sans fil).

SÉCURITÉ DU LIEU DE TRAVAIL

- Veillez à ce que l'aire de travail soit propre et bien éclairée. Le désordre et le manque de lumière favorisent les accidents.
- Ne pas utiliser d'outils électriques dans des atmosphères explosives, par exemple en présence de liquides, gaz ou poussières inflammables. Les outils électriques produisent des étincelles risquant d'enflammer les poussières ou vapeurs.
- S'assurer que les enfants et les curieux se trouvent à une bonne distance au moment d'utiliser un outil électrique. Les distractions peuvent causer une perte de contrôle.

SÉCURITÉ ÉLECTRIQUE

- Les fiches des outils électriques doivent correspondre à la prise secteur utilisée. Ne jamais modifier la fiche, de quelque façon que ce soit. Ne jamais utiliser d'adaptateurs de fiche avec des outils mis à la terre. Les fiches et prises non modifiées réduisent le risque de choc électrique.
- Éviter tout contact avec des surfaces mises à la terre comme des tuyaux, des radiateurs, des cuisinières et des réfrigérateurs. Le risque de choc électrique est accru lorsque le corps est mis à la terre.
- Ne pas exposer les outils électriques à l'eau ou l'humidité. La pénétration d'eau dans ces outils accroît le risque de choc électrique.
- Ne pas maltraiter le cordon d'alimentation. Ne jamais utiliser le cordon d'alimentation pour transporter l'outil électrique et ne jamais débrancher ce dernier en tirant sur le cordon. Garder le cordon à l'écart de la chaleur, de l'huile, des objets tranchants et des pièces en mouvement. Un cordon endommagé ou emmêlé accroît le risque de choc électrique.
- Pour les travaux à l'extérieur, utiliser un cordon spécialement conçu à cet effet. Utiliser un cordon conçu pour l'usage extérieur réduit les risques de choc électrique.
- Si l'utilisation d'un outil électrique est inévitable dans un endroit humide, utiliser une source d'alimentation munie d'un disjoncteur de fuite de terre. L'utilisation d'un disjoncteur de fuite de terre réduit le risque de choc électrique.

SÉCURITÉ INDIVIDUELLE

- Rester attentif, prêter attention au travail et faire preuve de bon sens lors de l'utilisation de tout outil électrique. Ne pas utiliser cet appareil en cas de fatigue ou sous l'influence de l'alcool, de drogues ou de médicaments. Un moment d'inattention pendant l'utilisation d'un outil électrique peut entraîner des blessures graves.
- Porter l'équipement de protection individuel requis. Toujours porter une protection oculaire. Selon les conditions, porter aussi un masque antipoussières, des bottes de sécurité antidérapantes, un casque protecteur ou une protection auditive afin de réduire les blessures.

- Empêcher les démarrages accidentels. S'assurer que la gâchette est en position d'arrêt avant de brancher l'outil à une source de courant, d'insérer la batterie, de le ramasser ou de le transporter. Le fait de transporter un outil électrique en gardant le doigt sur la gâchette ou de mettre sous tension un outil électrique lorsque la gâchette est en position de marche favorise les accidents.
- Retirer les clés de réglage avant de mettre l'outil en marche. Une clé laissée sur une pièce rotative de l'outil peut causer des blessures.
- Ne pas travailler hors de portée. Toujours se tenir bien campé et en équilibre. Une bonne stabilité procure un meilleur contrôle de l'outil électrique en cas d'imprévu.
- Porter une tenue appropriée. Ne porter ni vêtements amples, ni bijoux. Garder les cheveux et les vêtements à l'écart des pièces en mouvement. Les vêtements flottants, les bijoux ou les cheveux longs risquent d'être happés par les pièces en mouvement.
- Si les outils sont équipés de dispositifs de dépoussiérage, s'assurer qu'ils sont connectés et correctement utilisés. L'utilisation d'un collecteur de poussière permet de réduire les dangers liés à la poussière.
- Ne pas laisser la familiarité avec l'outil acquis par une utilisation fréquente vous rendre suffisant et vous amener à ignorer les règles de sécurité. Une utilisation négligée peut causer une blessure grave en une fraction de seconde.

UTILISATION ET ENTRETIEN DE L'OUTIL ÉLECTRIQUE

- Ne pas forcer l'outil électrique. Utiliser l'outil électrique approprié pour l'application. Un outil électrique approprié exécutera le travail mieux et de façon moins dangereuse s'il est utilisé dans les limites prévues.
- Ne pas utiliser l'outil électrique si le commutateur ne permet pas de le mettre en marche ou de l'arrêter. Tout outil électrique qui ne peut pas être contrôlé par son commutateur est dangereux et doit être réparé.
- Débrancher l'outil et/ou retirer le bloc-piles, si possible, avant d'effectuer des réglages, de changer d'accessoire ou de remettre l'outil. Ces mesures de sécurité préventives réduisent les risques de démarrage accidentel de l'outil.
- Entreposer l'outil électrique hors de la portée des enfants et interdire à quiconque de l'utiliser si la personne ne connaît pas bien le produit ou les instructions. Les outils électriques sont dangereux dans les mains d'utilisateurs novices.
- Entretenir les outils électriques et les accessoires. Vérifier qu'aucune pièce mobile n'est mal alignée ou bloquée, qu'aucune pièce n'est brisée et s'assurer qu'aucun autre problème risque d'affecter le bon fonctionnement de l'outil. En cas de dommages, faire réparer l'outil avant de l'utiliser. Plusieurs accidents sont causés par des produits mal entretenus.
- Garder les outils bien affûtés et propres. Des outils correctement entretenus et dont les tranchants sont bien affûtés risquent moins de se bloquer et sont plus faciles à contrôler.
- Utiliser l'outil électrique, les accessoires, les embouts etc. conformément à ces instructions en tenant compte des conditions de travail et de la tâche à effectuer. L'usage d'un outil électrique pour des applications pour lesquelles il n'est pas conçu peut être dangereux.
- Garder les poignées et les surfaces de préhension sèches, propres et exemptes d'huile ou de graisse. Des poignées et des surfaces de préhension glissantes ne permettent pas de manipuler et de contrôler l'outil en toute sécurité en cas de situation imprévue.

UTILISATION ET ENTRETIEN DE LA BATTERIE

- **Pour recharger le bloc-piles, utiliser seulement le chargeur spécifié par le fabricant.** Un chargeur pouvant convenir à un type de bloc-piles peut entraîner un risque d'incendie lorsqu'il est utilisé avec un autre type de bloc-piles.
- **N'utiliser l'outil électrique qu'avec une batterie recommandée.** L'utilisation de tout autre bloc-piles peut créer un risque de blessures et d'incendie.
- **Lorsque le bloc-piles n'est pas utilisé, le tenir éloigné des objets en métal tels que les trombones, les pièces de monnaie, les clés, les clous, les vis ou d'autres petits objets métalliques qui pourraient connecter les bornes.** Le court-circuitage des bornes d'une pile peut entraîner des brûlures ou un incendie.
- **Éviter tout contact avec le liquide pouvant être éjecté de la pile en cas de manutention abusive.** En cas de contact accidentel, rincer immédiatement les parties atteintes avec de l'eau. Si le liquide entre en contact avec les yeux, consulter un médecin. Le liquide éjecté des piles peut causer des irritations ou des brûlures.
- **N'utiliser aucun bloc-piles ni aucun outil ayant été endommagé ou modifié.** Des piles endommagées ou modifiées peuvent adopter un comportement imprévisible pouvant causer un incendie, une explosion ou le risque de blessures.
- **Ne pas exposer le bloc-piles ou l'outil aux flammes ou à une température excessive.** Une exposition aux flammes ou à une température supérieure à 130°C (265°F) peut causer une explosion.
- **Suivre toutes les instructions de charge et ne pas charger le bloc-piles ou l'outil en dehors de la plage de température spécifiée.** Une charge incorrecte ou à des températures en dehors de la plage spécifiée peut endommager la pile et augmenter le risque d'incendie.

ENTRETIEN

- **Les réparations de l'outil électrique doivent être confiées à un technicien qualifié, utilisant exclusivement des pièces identiques à celles d'origine.** Le maintien de la sûreté de l'outil électrique sera ainsi assuré.
- **Ne jamais effectuer la réparation d'un bloc-piles endommagé.** La réparation du bloc-piles doit être réalisée par le fabricant ou les fournisseurs de service agréés uniquement.

RÈGLES DE SÉCURITÉ SPÉCIFIQUES POUR SCIE À ONGLETS

- **Les scies à onglets sont conçues pour couper du bois ou des produits similaires au bois et ne peuvent donc pas être utilisées avec des disques abrasifs employés pour la coupe de matériaux ferreux tels que les barres, tiges, goujons, etc.** La poussière abrasive provoque le blocage des pièces mobiles telles que la garde inférieure. Les étincelles produites par la coupe abrasive brûlent la garde inférieure, l'insert du trait de scie et d'autres pièces plastiques.
- **Utilisez, dans la mesure du possible, des pinces pour soutenir la pièce.** Si vous soutenez la pièce à la main, vous devez toujours garder votre main à 100 mm au moins de chaque côté de la lame de scie. N'utilisez pas cette scie pour couper des pièces trop petites pour être maintenues solidement à l'aide d'une pince ou à la main. Si vous placez votre main trop près de la lame de scie, vous augmentez le risque de blessure dû au contact avec la lame.

- **La pièce doit être immobilisée et serrée ou maintenue contre le guide et la table.** Évitez d'introduire la pièce dans la lame et ne coupez jamais à « main levée ». Les pièces non attachées ou mobiles peuvent être projetées à haute vitesse, provoquant ainsi des blessures.
- **Faites passer la scie à travers la pièce.** Ne tirez pas la scie pour la faire passer à travers la pièce. Pour faire une coupe, soulevez la tête d'abattage et posez-la sur la pièce sans couper, puis démarrez le moteur, appuyez sur la tête d'abattage et faites passer la scie au travers de la pièce. Une opération de coupe tirante est susceptible de provoquer le déplacement de la lame de scie vers le sommet de la pièce et de propulser violemment ainsi l'assemblage de la lame vers l'opérateur.
- **Ne croisez jamais les mains sur la ligne de coupe prévue que ce soit devant ou derrière la lame de scie.** Soutenir la pièce "main croisée", c'est-à-dire en maintenant la pièce du côté droit de la lame de scie avec la main gauche ou inversement est très dangereux.
- **N'approchez pas les mains de la partie arrière du guide à une distance de moins de 100 mm des deux côtés de la lame de scie, afin de retirer des copeaux de bois, ou pour toute autre raison, et ce, alors que la lame tourne.** La proximité de la lame de scie en rotation et de la main peut ne pas être évidente et peut provoquer de graves blessures.
- **Examinez la pièce avant de la couper.** Si la pièce est courbée ou gauchie, serrez-la avec la face courbée extérieure dirigée vers le guide. Assurez-vous toujours de l'absence d'espace entre la pièce, le guide et la table le long de la ligne de coupe. Les pièces pliées ou gauchies peuvent se tordre ou se décaler et entraîner un blocage de la lame de scie en rotation lors de la coupe. La pièce ne doit comporter aucun clou ni corps étranger.
- **N'utilisez pas la scie tant que la table n'est pas débarrassée de tous les outils, copeaux de bois, etc., à l'exception de la pièce.** Les petits débris, les morceaux de bois détachés ou d'autres objets en contact avec la lame en rotation peuvent être éjectés à une vitesse élevée.
- **Ne coupez qu'une seule pièce à la fois.** Plusieurs pièces empilées ne peuvent être serrées ou calées de manière appropriée et peuvent bloquer la lame ou se décaler lors de la coupe.
- **Assurez-vous que la scie à onglets est montée ou placée sur une surface de travail solide de niveau avant utilisation.** Une surface de travail solide et nivelée réduit le risque d'instabilité de la scie à onglets.
- **Planifiez votre travail.** A chaque changement de réglage de l'angle de biseau ou d'onglet, assurez-vous que le guide réglable est réglé correctement pour soutenir la pièce, et n'affecte pas la lame ou le système de protection. Sans mettre l'outil en position "MARCHE" et sans aucune pièce placée sur la table, déplacez la lame de scie en simulant une coupe complète afin de vous assurer de l'absence de tout obstacle ou de tout risque de sectionnement du guide.
- **Prévoyez un support approprié tel que des rallonges de table, des chevalets de sciage, etc. pour une pièce plus large ou plus longue que le plateau de la table.** Des pièces plus longues ou plus larges que la table de la scie à onglets peuvent basculer si elles ne sont pas solidement soutenues. Un basculement de la pièce coupée ou la pièce à couper peut soulever le protecteur inférieur ou la pièce coupée/à couper peut être éjectée par la lame en rotation.
- **Ne demandez pas à une tierce personne de servir de rallonge de table ou de support supplémentaire.** Un support instable de la pièce peut entraîner le

blocage de la lame ou le décalage de la pièce lors de la coupe, vous entraînant, de même que l'assistant, dans la lame en rotation.

- **La pièce coupée ne doit pas être coincée ou comprimée par quelque moyen que ce soit contre la lame de scie en rotation.** Si elle devait être enserrée, c'est-à-dire à l'aide de butées réglables, la pièce coupée pourrait être coincée contre la lame et éjectée violemment.
- **Utilisez toujours un collier ou un appareil de serrage conçu pour soutenir correctement tout matériau rond tel que des tiges ou des tubes.** Les tiges ont tendance à rouler lors de leur coupe, ce qui provoque une "action de morsure" de la lame et entraîne la pièce et la main dans ladite lame.
- **Laissez la lame atteindre sa vitesse maximale avant qu'elle n'entre en contact avec la pièce.** Cela réduit le risque d'éjection de la pièce.

- **Lorsque la pièce ou la lame est coincée, arrêtez la scie à onglets. Attendez l'arrêt complet de toutes les parties mobiles et débranchez la prise de la source d'alimentation et/ou retirez le bloc-piles. Libérez ensuite le matériau coincé.** Continuer le sciage avec une pièce coincée peut entraîner une perte de contrôle ou endommager la scie à onglets.
- **Une fois la coupe achevée, relâchez l'interrupteur, abaissez la tête d'abattage et attendez l'arrêt de la lame avant de retirer la pièce coupée.** Il est dangereux d'approcher la main de la lame qui continue de tourner.
- **Maintenez la poignée fermement lors de la réalisation d'une coupe incomplète ou lors du relâchement de l'interrupteur avant que la tête d'abattage ne soit totalement à l'arrêt.** Le freinage de la scie peut provoquer une descente brusque de la tête d'abattage, entraînant de ce fait un risque de blessure.

- **AVERTISSEMENT** Pour réduire le risque de blessures dans les applications qui produisent une quantité considérable de poussière, utilisez une solution d'extraction de poussière conforme à l'OSHA conformément aux instructions d'utilisation de la solution.
- **Toujours faire preuve de bons sens et procéder avec prudence lors de l'utilisation d'outils.** C'est impossible de prévoir toutes les situations dont le résultat est dangereux. Ne pas utiliser cet outil si vous ne comprenez pas ces instructions d'opération ou si vous pensez que le travail dépasse votre capacité ; veuillez contacter Milwaukee Tool ou un professionnel formé pour recevoir plus d'information ou formation.
- **Maintenir en l'état les étiquettes et les plaques d'identification.** Des informations importantes y figurent. Si elles sont illisibles ou manquantes, contacter un centre de services et d'entretien MILWAUKEE pour un remplacement gratuit.

- **AVERTISSEMENT** Certaines poussières générées par les activités de ponçage, de coupe, de rectification, de perçage et d'autres activités de construction contiennent des substances considérées être la cause de malformations congénitales et de troubles de l'appareil reproducteur. Parmi ces substances figurent :
 - le plomb contenu dans les peintures à base de plomb ;
 - la silice cristalline des briques, du ciment et d'autres matériaux de maçonnerie, ainsi que
 - l'arsenic et le chrome des sciages traités chimiquement.
 Les risques encourus par l'opérateur envers ces expositions varient en fonction de la fréquence de ce type de travail. Pour réduire l'exposition à ces substances chimiques, l'opérateur doit : travailler dans une zone bien ventilée et porter l'équipement de sécurité approprié, tel qu'un masque anti-poussière spécialement conçu pour filtrer les particules microscopiques.

SPECIFICATIONS

No de Cat.....	2739-20
Volts.....	18 CD
Type de batterie	M18™
Type de chargeur	M18™
Module/ID de FCC.....	BLE113/QOQBLE113
Tours-minute à vide	3 600
Taille de l'axe.....	5/8"
Taille de la lame.....	304 mm (12")
Épaisseur de la lame (trait de scie).....	Max 3,2 mm (1/8")
Poids.....	21,6 kg (47,6 lbs.)
Température ambiante de fonctionnement recommandée	-18°C à 50°C (0°F à 125°F)

CAPACITÉS

Coupe d'onglet	
Hauteur max	96,52 mm (3,8")
Largeur max à l'onglet 0°	340,36 mm (13,4")
Largeur max à l'onglet 45°	236,22 mm (9,3")

Coupes en biseau	
Hauteur max à biseau 0°	96,52 mm (3,8")
Hauteur max à biseau 45° gauche.....	63,5 mm (2,5")
Hauteur max à biseau 45° droit	40,64 mm (1,6")

Coupes composées (45° à l'onglet et 45° à biseau)	
Gauche	236,22 mm W à 63,5 mm H (9,3" W à 2,5" H)
Droit	236,22 mm W à 40,64 mm H (9,3" W à 1,6" H)

Pièce verticale contre la clôture	
Onglet 0°/Biseau 0°	172,72 mm H à 27,94 mm W (1,1" W à 6,8" H)
Gauche Onglet 45°/Biseau 45°	172,72 mm H à 15,24 mm W (0,6" W à 6,8" H)
Droit Onglet 45°/Biseau 45°	172,72 mm H à 15,24 mm W (0,6" W à 6,8" H)

PICTOGRAPHIE



Volts



Courant direct

n_0 XXXX min⁻¹ Tours-minute à vide (RPM)



Zone mains à l'écart – éloignez toujours vos mains de la zone mains à l'écart pendant l'utilisation de l'appareil. Tout contact avec la lame peut entraîner de graves blessures.



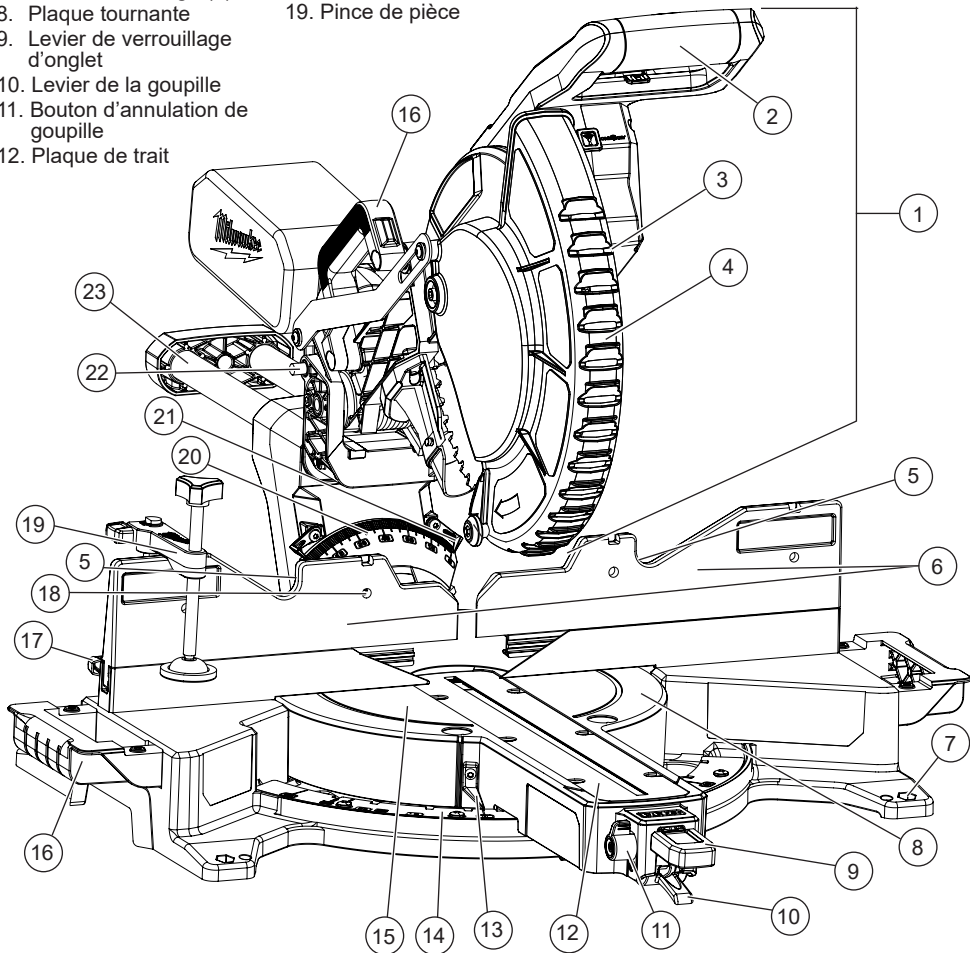
Lire le manuel de l'opérateur



UL Listing Mark pour Canada et États-unis

FUNCTIONAL DESCRIPTION

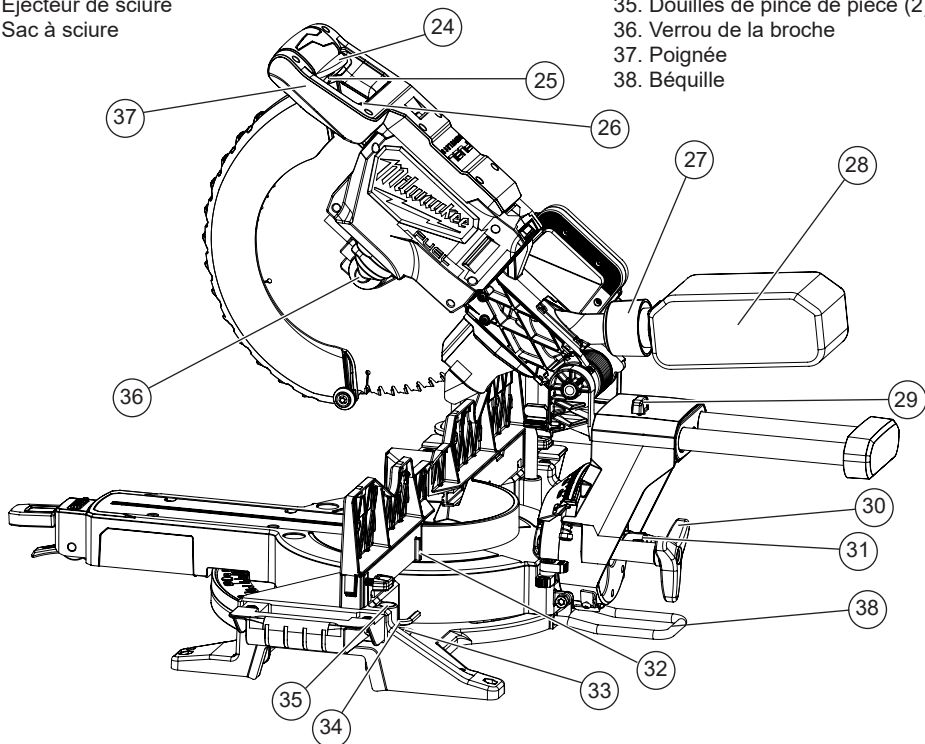
- | | | |
|--------------------------------------|--|----------------------------------|
| 1. Tête de la scie | 13. Indicateur d'angle d'onglets | 20. Échelle d'angle de biseau |
| 2. Poignée à gâchette | 14. Échelle d'angle d'onglets | 21. Indicateur d'angle de biseau |
| 3. Lampe (non indiqué) | 15. Cercle « mains à l'écart » | 22. Épingle de blocage de tête |
| 4. Garde inférieure | 16. Poignées de transport | 23. Glissières |
| 5. Manettes de guides longitudinales | 17. Boutons de verrouillage de guide longitudinale (2) | |
| 6. Guides longitudinales (2) | 18. Trous de montage de la planche superficielle (4) | |
| 7. Trous de montage (4) | 19. Pince de pièce | |
| 8. Plaque tournante | | |
| 9. Levier de verrouillage d'onglet | | |
| 10. Levier de la goupille | | |
| 11. Bouton d'annulation de goupille | | |
| 12. Plaque de trait | | |



- 24. Gâchette
- 25. Verrou de la gâchette
- 26. Interrupteur de l'indicateur de ligne de coupe (non indiqué)
- 27. Éjecteur de sciure
- 28. Sac à sciure

- 29. Verrou de glissière
- 30. Bouton de réglage de biseau
- 31. Barre de butée à 0°

- 32. Arrêt de poignée
- 33. Compartiment de rangement des clés (non indiqué)
- 34. Clé hexagonale de 6 mm
- 35. Douilles de pince de pièce (2)
- 36. Verrou de la broche
- 37. Poignée
- 38. Béquille



MONTAGE DE L'OUTIL

Installation des poignées de transport

Les poignées de transport sont utilisées pour le transport et comme rallonges de table pour la coupe de pièces longues.

Utilisez les quatre boulons pour fixer les poignées de transport de chaque côté de la table de scie à onglets en vous servant de la clé à lame fournie. Serrez à fond. Verrouillez toujours les rails latéraux et la tête d'abattage avant de transporter l'outil.

Installation de la béquille

Placer la scie à onglets sur le dos. Insérer la béquille (l'angle de la courbure doit être vers le bas) dans les deux trous sous les rails latéraux. Enfoncer la béquille jusqu'à ce qu'elle ne va pas plus loin. Pour fixer, insérer et serrer la vis à l'extrémité de la broche de la béquille.

Transport et rangement

Verrouillez toujours la tête d'abattage et les rails latéraux avant le transport et le rangement de l'outil. Ne transporter outils par les poignées.

Tête d'abattage

Pour **verrouiller** la tête d'abattage, appuyez et maintenez-la vers le bas, puis poussez la goupille de verrouillage.

Pour **déverrouiller** la tête d'abattage, appuyez et maintenez-la vers le bas et retirez la goupille de verrouillage. Relevez la tête d'abattage.

Rails latéraux

Pour **déverrouiller** les rails latéraux, desserrez leur verrou en le tournant dans le sens antihoraire.

Pour **verrouiller** les rails latéraux, glissez la tête d'abattage vers l'avant et serrez le verrou du rail latéral en le tournant en sens horaire.

Installation de la scie à onglets

Pour empêcher l'outil de glisser, basculer ou tomber d'une surface de travail surélevée en cours de fonctionnement, il est possible de le monter sur une surface de support comme un établi robuste et de niveau ou un support de scie à onglets. Disposez la scie et l'établi de manière à avoir suffisamment d'espace pour procéder à la coupe transversale de longues pièces. Pour fixer la scie sur l'établi, insérez des pièces de fixation dans les trous situés dans les coins de la table à scie. Suivez les instructions du fabricant lors de l'installation d'un support de scie à onglets.

Aspiration de poussière

⚠ AVERTISSEMENT La poussière produite lors du ponçage de revêtements de surface (polyuréthane, l'huile de lin, etc.) peut s'enflammer spontanément à l'intérieur ou à l'extérieur du sac et causer un incendie. Pour réduire le risque d'incendie, videz fréquemment le sac et ne laissez ni ne remisez jamais la ponceuse sans avoir complètement vidé le sac.

L'orifice d'aspiration situé à l'arrière de la scie peut être connecté à un tuyau d'aspirateur standard ou au sac à poussière inclus. Laissez le sac à poussière ouvert pour que la poussière tombe directement dans une poubelle.

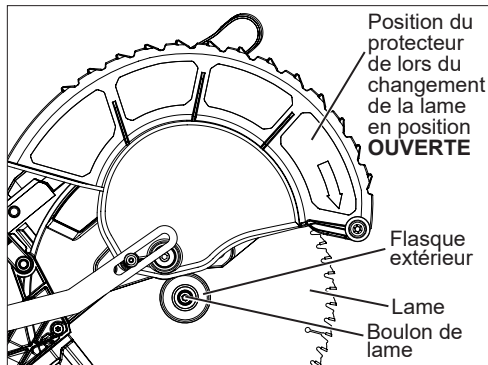
Pour installer, poussez et tordez le tuyau ou le sac à poussière sur l'orifice d'aspiration.

Utilisation des panneaux de façade

Lorsque vous utilisez des panneaux de façade, fixez-les à l'aide de trous de montage situés dans les guides. Les panneaux de façade mettent de la distance entre le guide et la pièce à travailler, offrant ainsi un meilleur support pour certaines pièces. Vous pouvez réduire l'éclatement de la pièce en utilisant des panneaux de façade.

Sélection, installation et changement des lames

Utilisez toujours des lames propres et bien affûtées. Les lames émoussées ont tendance à surcharger l'outil, ainsi qu'à se coincer et à être pincées. Utilisez uniquement les lames de scie à onglets coulissante de 304 mm (12") homologuées pour une vitesse de 5 000 tr/min au moins.



- 1. AVERTISSEMENT!** Retirez la batterie pour éviter de démarrer l'outil.
- Abaissez la tête d'abattage.
- Soulevez la garde inférieure et maintenez-la vers le haut tout en soulevant la tête d'abattage. Laissez la garde inférieure. La garde inférieure reste surélevée lors du changement de la lame en position **OUVERTE**. **AVERTISSEMENT!** Prenez garde à ne pas abaisser la tête du protecteur pendant le changement de la lame; la garde inférieure pourrait retomber sur sa position pour couvrir la lame et pincer des mains et des doigts.
- Appuyez sur le verrouillage de la broche et faites pivoter la broche/la lame jusqu'à ce que le verrou s'enclenche.
- Utilisez la clé pour desserrer et retirer le boulon de la lame fileté à gauche (sens horaire).

- Déposez le flasque extérieur de la lame. Nettoyez le flasque et la broche pour enlever la poussière et les débris. Inspectez les pièces afin de vous assurer qu'elles ne sont pas endommagées. Remplacez-les au besoin.
- Alignez le sens de la flèche sur la lame avec le sens de la flèche sur la garde inférieure. Glissez la lame sur la broche.
- Installez le flasque extérieur de la lame. Le côté plat du flasque doit reposer contre la lame.
- Appuyez sur le bouton de verrouillage de la broche et tournez la lame jusqu'à ce que le bouton de verrouillage s'enclenche. Insérez la vis de la lame et serrez-la solidement en la tournant dans le sens antihoraire à l'aide de la clé.
- Éloignez vos mains de la zone du protecteur et abaissez la tête d'abattage. La garde inférieure va retomber sur sa position. Assurez-vous qu'elle se déplace librement.
- Vérifiez l'espacement entre la lame, la plaque du trait de scie et les guides. Toujours utiliser la plaque à trait. Les plaques à trait réduisent les cassures et l'éclatement de la coupe en fournissant un support d'extrémité.

⚠ AVERTISSEMENT Rechargez la batterie uniquement avec le chargeur spécifié. Pour des instructions spécifiques sur la charge, lisez le guide de l'utilisateur fourni avec votre chargeur et sa batterie.

Dépose et installation de la batterie

Pour déposer la batterie, appuyez sur les boutons de verrouillage et retirez la batterie de l'outil.

⚠ AVERTISSEMENT Toujours verrouiller la batterie les fois que l'outil est inutilisé.

Pour insérer la batterie, faites coulisser le bloc dans le corps de l'outil. Assurez-vous qu'elle y est bien insérée.

⚠ AVERTISSEMENT Utilisez uniquement des accessoires spécifiquement recommandés pour cet outil, d'autres peuvent être dangereux.

ONE-KEY™

Pour en apprendre plus long sur la fonctionnalité ONE-KEY™ de cet outil, visitez le milwaukeetool.com/One-Key. Pour télécharger l'application ONE-KEY™, visitez l'App Store® d'Apple ou Google Play™ à l'aide de votre appareil intelligent.

Indicateur ONE-KEY™

Bleu uni	Le mode sans fil est engagé et prêt pour le configurer à l'aide de l'appli ONE-KEY™.
Bleu clignotant	L'outil établit une communication active avec l'appli ONE-KEY™.
Rouge clignotant	L'outil a un blocage sécuritaire et ne pourra être débloqué que par le propriétaire à l'aide de l'appli ONE-KEY™.

RÉGLAGES

AVERTISSEMENT Retirez le bloc de batterie avant de changer des accessoires ou d'effectuer des réglages. Ne détectez pas les gardes.

Zone mains à l'écart

AVERTISSEMENT Keep hands out of the No Hands



Zone at all times during use. Contact with blade will result in serious injury.

Si votre main est placée trop près de la lame de scie, le risque de blessure augmente à cause du contact avec la lame. Utilisez les indicateurs de la Zone mains à l'écart pour vous assurer de garder vos mains à une distance sûre de la lame.

Indicateurs de la Zone mains à l'écart :

- Cercle de la zone mains à l'écart (rainure autour de la plaque tournante)
 - Poignées de guide (encoches au-dessus des guides)
 - Cale-mains (s'utilise lorsque vous déposez le guide)
- Ne croisez jamais les mains sur la ligne de coupe prévue que ce soit devant ou derrière la lame de scie. La proximité de la lame de scie en rotation et de votre main peut ne pas être évidente et peut provoquer de graves blessures. La tête d'abattage peut glisser/se déplacer, mettant votre sécurité en péril. Attendez toujours l'arrêt complet de la lame avant de relever la tête d'abattage, de déplacer la pièce à travailler ou de modifier les réglages.

Choix de la pièce à travailler

Évitez les pièces poisseuses, noueuses, mouillées ou gachées. Ces matériaux ont tendance à créer des pincements. Les pièces qui s'arquent et qui pincent la lame peuvent entraîner un rebond. Examinez les pièces avant de les couper pour retirer les clous, le cas échéant. Assurez-vous toujours que la lame est propre et tranchante, autrement elle produira une entaille étroite et aura tendance à être pincée par la pièce à travailler. Il n'est pas recommandé d'utiliser cet outil pour couper des métaux ferreux comme le fer et l'acier. Consultez la section « Applications » afin de prendre connaissance de la liste complète des matériaux pouvant être coupés par l'outil.

Soutien adéquat de la pièce à travailler

Soutenez toujours la pièce à travailler pendant l'opération, autrement elle peut se soulever et être entraînée dans la scie. **AVERTISSEMENT!** Utilisez, dans la mesure du possible, des pinces pour soutenir la pièce afin de tenir vos mains à l'écart de la lame. N'utilisez pas cette scie pour couper des pièces trop petites pour être maintenues solidement à l'aide d'une pince ou à la main.

1. **Utilisation du guide :** Aligned la pièce à travailler pour qu'elle soit d'aplomb avec le guide afin d'offrir un chemin de coupe droit à la lame de la scie. Cela permettra d'éviter que les dents de la lame ne se coincent. Le guide peut servir de support pour les coupes d'onglet, en biseau et composées. **AVERTISSEMENT!** Éloignez toujours vos mains de la zone mains à l'écart pendant l'utilisation de l'outil. Utilisez les poignées de guide pour vous assurer que vos mains n'entrent pas dans la zone mains à l'écart.

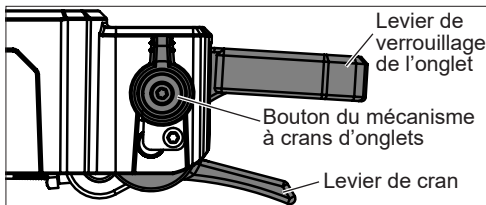
2. **Utilisation d'une bride de serrage :** Attachez la pièce à travailler à la table à l'aide de la bride de serrage fournie. Vous pouvez déplacer la bride de serrage vers l'un des côtés de la table.
 - a. Insérez la bride de serrage dans l'une des emboîtures située à l'arrière des guides.
 - b. Tournez la bride jusqu'à ce qu'elle s'insère entièrement dans l'emboîture.
 - c. Faites tourner la bride afin que la vis soit au-dessus de la table.
 - d. Serrez la vis de la bride pour immobiliser la pièce à travailler sur la table.
3. **Utilisation d'une pince en C :** serrez la pièce à travailler au guide à l'aide d'une pince en C.

Soutien des pièces à travailler plus longues

Il importe de soutenir les pièces à travailler plus longues sur toute leur longueur. Si vous utilisez la scie sur un établi de niveau, relevez la pièce à travailler à une hauteur de hauteur de 76,2 mm (3") ((2) 50,8 mm (2") x 101,6 mm (4") empilés à plat) à partir de la base de la scie. Plusieurs types de tables de travail vendues sur le marché secondaire sont conçus spécialement pour les scies à onglets, ce qui permet

Réglage de l'angle d'onglet

Il est possible d'ajuster l'angle d'onglet à l'aide du mécanisme à crans afin d'obtenir des angles de coupe standards et précis (0°, 15°, 22,5°, 31,6°, et 45°). Il est également possible de le régler avec précision sur un angle quelconque pour l'adapter à une situation donnée.



1. **AVERTISSEMENT!** Retirez la batterie pour éviter de démarrer l'outil.
2. Soulevez le levier de verrouillage de l'onglet pour libérer la plaque tournante.
3. Soulevez le levier de cran et faites pivoter la plaque tournante vers le cran le plus près de l'angle désiré.
4. Pour effectuer un réglage ajusté de l'angle d'onglet :
 - a. Soulevez le levier de cran
 - b. Faites pivoter le bouton du mécanisme à crans d'onglets
 - c. Faire pivoter le plateau tournant à l'angle exact.
5. Appuyez sur le levier de verrouillage de l'onglet afin de verrouiller le réglage et éviter tout décalage pendant l'utilisation de l'outil.

Réglage de l'angle de biseau

Le biseau peut être réglé à n'importe quel angle, de 0° à 48°, à gauche ou à droite.

1. **AVERTISSEMENT!** Retirez la batterie pour éviter de démarrer l'outil.
2. Desserrez le bouton de biseau.
3. Faites tourner la tête de la scie à l'angle désiré.

REMARQUE : Afin de surpasser l'arrêt à 0°, tenez la tête de la scie à 0° à gauche ; après tirez la barbe de butée à 0° et faites tourner la tête de la scie à l'angle désiré.

MANIEMENT

⚠ AVERTISSEMENT Afin de minimiser le risque de blessures, toujours porter la protection oculaire appropriée certifiée conforme à la norme ANSI Z87.1.

Garder les mains et le corps hors du passage de la lame. Le contact avec la lame peut causer des blessures graves. Vérifier que le système de protection fonctionne adéquatement. Ne pas utiliser la scie sans que tous les dispositifs de protection soient en place. Ne jamais travailler à main levée. Ne jamais passer la main ou le bras autour de la lame. Éteindre l'outil et attendre l'arrêt de la lame avant de déplacer la pièce ou modifier les réglages. Serrer tous les réglages avant l'utilisation.

Lorsque de travaux sont faits dans des situations poussiéreuses, porter une protection respiratoire ou bien, utiliser une solution d'extraction de poussière conforme aux normes OSHA.

Indicateur de ligne de coupe

L'indicateur de ligne de coupe brille sous la lame, projetant ainsi une ombre sur les points de passage de la lame sur la pièce à travailler. Il n'est pas nécessaire de procéder à un étalonnage/réglage du fait que l'ombre dépend toujours de la position de la lame. Utilisez l'interrupteur de l'indicateur de la ligne de coupe pour allumer avant de procéder à une coupe. La lumière s'éteint automatiquement 9 secondes environ après l'utilisation.

⚠ AVERTISSEMENT Pour réduire le risque de blessure, n'utilisez pas le frein comme dispositif de sécurité. Attendez toujours l'arrêt complet de la lame avant de l'approcher avec un objet.

Pour réduire le risque de blessure, assurez-vous que tous les réglages sont solidement verrouillés avant de procéder à une coupe.

Démarrage et arrêt de l'outil

Tenez toujours fermement la poignée à gâchette. Le démarrage ou l'arrêt du moteur peut déplacer légèrement la poignée vers le haut ou le bas. **AVERTISSEMENT!** Abaissez le levier de verrouillage d'onglet et serrez tous les réglages avant l'utilisation. **AVERTISSEMENT!** Assurez-vous que vos mains sont hors de la zone Mains à l'écart

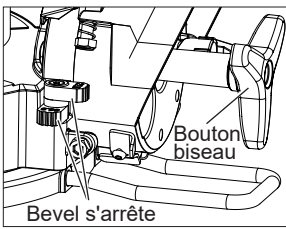
1. Pour **démarrer** le moteur, appuyez sur la gâchette.
2. Pour **arrêter** le moteur, relâcher la gâchette. Le frein électrique arrête la lame en 4 secondes environ. **AVERTISSEMENT!** Le frein ne remplace pas les protections et peut être défaillant. Attendez toujours que la lame s'arrête complètement avant de retirer la pièce. Si le frein ne s'arrête pas, la lame fonctionne de façon irrégulière, retournez l'outil à un centre d'entretien MILWAUKEE pour des réparations.

Coupe en morceaux

Coupez les pièces en morceaux à chaque fois qu'il est possible de le faire. Utilisez la coupe coulissante (coupe transversale) uniquement lorsque cela est nécessaire.

1. Utilisez le verrou de coupe en morceaux pour régler la scie sur la position coupe en morceaux.
2. Sélectionnez les angles de coupe désirés et réglez les guides afin de vous assurer que les poignées du guide sont placées de façon à tenir les mains à distance de la zone mains à l'écart.

4. Serrez fermement le bouton de biseau afin de verrouiller le réglage du biseau sur place. Le biseau maximal gauche et droit peut être réglé en utilisant les boulons d'arrêt. Afin de le régler, desserrez l'écrou inférieur, serrez ou desserrez le boulon d'arrêt ; après serrez l'écrou inférieur pour le verrouiller fermement.



Réglage des guides

À chaque modification des réglages de l'angle de biseau ou d'onglet, assurez-vous que les guides sont correctement réglés

Les guides **doivent** :

- soutenir la pièce à travailler
- ne pas faire obstacle à la lame et à la garde inférieure
- Ils doivent également être réglés pour tenir les mains à distance de la zone mains à l'é

Pour régler les guides :

1. **AVERTISSEMENT!** Retirez la batterie pour éviter de démarrer l'outil.
2. Desserrez les boutons de verrouillage du guide
3. Glissez les guides côte à côte vers la position désirée afin de permettre des coupes en biseau ou des coupes composées. Placez toujours correctement les guides pour bien soutenir la pièce à travailler tout en assurant la sécurité de votre main. **AVERTISSEMENT!** Assurez-vous que les poignées de guide sont bien placées pour tenir les mains à distance de la zone Mains à l'écart.
4. Serrez à fond les boutons de verrouillage du guide avant de procéder à une coupe. **REMARQUE** : Si une des parties du guide bouge vers l'avant ou l'arrière, serrez la vis de pression, située derrière la fente d'insertion de chaque guide.
5. Une fois la scie à l'arrêt et la pièce retirée de la table, abaissez lentement et complètement la tête d'abattage pour vous assurer que la garde et la lame ne touchent pas les guides lors de la réalisation de coupes d'onglet et en biseau.

Protecteurs

Le protecteur inférieur doit recouvrir la lame lorsque la tête d'abattage est relevée et il doit bouger librement et s'ouvrir automatiquement au moment d'abaisser la tête d'abattage dans la pièce à travailler. **AVERTISSEMENT!** Ne jamais désactiver ou retirer les dispositifs de protection. Poussez simplement le protecteur inférieur vers la position ouverte lors du remplacement des lames.

Si le protecteur inférieur semble desserré, s'il est bloqué ou s'il ne parvient pas à recouvrir la lame lorsque la tête d'abattage est relevée, confiez la scie à un centre de réparations agréé.

Assurez-vous que les guides sont bien réglées afin de permettre aux protecteurs de se déplacer librement, durant toute l'opération de coupe.

Réglages pour une coupe en morceaux

Il est possible de verrouiller le mécanisme de glissement afin d'utiliser la scie pour des coupes en morceaux (le mécanisme de glissement n'est pas nécessaire).

1. Pour **verrouiller**, tirez la tête en avant et serrez le verrou de la glissière.
2. Pour **déverrouiller**, tirez la tête en avant et desserrez le verrou de la glissière.

3. Installez la pièce sur la plaque tournante et alignez la coupe.
4. Installez le bloc-batterie.
5. Soutenez la pièce à l'aide de l'une des méthodes décrites dans la section « Soutenir correctement la pièce ».
6. **AVERTISSEMENT!** Gardez toujours vos mains hors de la zone mains à l'écart pendant l'utilisation de l'outil. Le contact avec la lame peut provoquer des blessures graves.
7. Démarrez le moteur. Attendez quelques secondes que la lame atteigne sa vitesse maximale. Puis abaissez lentement la tête d'abattage sur toute l'épaisseur de la pièce. **AVERTISSEMENT!** ne laissez pas la lame toucher la pièce pendant l'accélération de l'outil.
8. Donnez toujours le temps nécessaire à la scie pour effectuer l'opération. Le fait de forcer l'outil peut faire caler ou surchauffer le moteur.
9. Une fois la coupe terminée, relâchez la gâchette et attendez que la lame soit complètement arrêtée. Soulevez doucement la tête d'abattage et retirez la pièce à travailler. **AVERTISSEMENT!** Déposez toujours le bloc-batterie avant de retirer les morceaux de bois qui auraient pu se loger à l'intérieur du protecteur.
8. Démarrez le moteur. Attendez quelques secondes que la lame atteigne sa vitesse maximale. Puis abaissez lentement la tête d'abattage sur toute l'épaisseur de la pièce. **AVERTISSEMENT!** ne laissez pas la lame toucher la pièce pendant l'accélération de l'outil
9. Appuyez sur la tête d'abattage.
10. Faites avancer la scie dans la ligne de coupe **AVERTISSEMENT!** Ramenez complètement la tête d'abattage vers l'arrière après chaque coupe transversale
11. Une fois la coupe terminée, relâchez la gâchette et attendez que la lame soit complètement arrêtée. Soulevez doucement la tête d'abattage et retirez la pièce à travailler. **AVERTISSEMENT!** Déposez toujours le bloc-batterie avant de retirer les morceaux de bois qui auraient pu se loger à l'intérieur du protecteur.

APPLICATIONS

⚠ AVERTISSEMENT Ne pas utiliser la scie pour couper la pierre, la brique, le béton ou les métaux ferreux (le fer, l'acier, l'acier inoxydable ou un alliage de ces métaux). Ne pas utiliser de meules abrasives avec cette scie.

La poussière produite lors de la coupe de ces matériaux ou de l'utilisation de meules à tronçonner abrasives peut entraîner le coincement du protecteur de la lame, en plus d'entraîner des blessures.

Matériaux recommandés et applications

Il est possible de couper les matériaux suivants à l'aide d'une scie à onglets combinée coulissante. Il existe plusieurs types de lames. Utilisez la lame qui convient à l'application ou au matériau donné. *Utilisez uniquement des lames de scie à onglets coulissantes de 184 mm (7-1/4") homologuées pour une vitesse de 5 000 tr/min au moins*

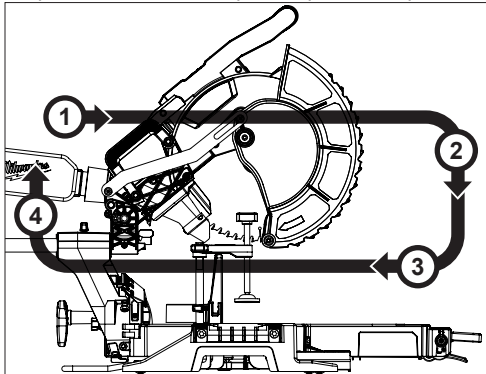
- **Bois** – bois massif, contreplaqué, aggloméré de bois, MDF (panneau de fibres à densité moyenne), panneau de fibres à haute densité, panneau de particules lamellé de mélamine, stratifié Formica, panneau dur (Masonite)...
- **Plastique** – poly(chlorure de vinyle) (PVC), poly(chlorure de vinyle) chloré (PVC-C), polystyrène butadiène acrylonitrile (ABS), matériaux à surface dure (p. ex. Corian®), ainsi que d'autres matières plastiques. Lors du découpage du plastique, évitez la surchauffe de la lame et les dents de la lame pour éviter la fonte de la pièce.
- **Métaux non ferreux** – aluminium, laiton, cuivre et autres matériaux non ferreux.

Coupe de matériaux non carrés Coupe de matériaux arrondis (cylindriques)

Il est possible d'utiliser des pièces de bois en « V » pour soutenir les matériaux arrondis comme une tringle à cintres ou un tuyau en plastique.

Coupe coulissante (coupe transversale)

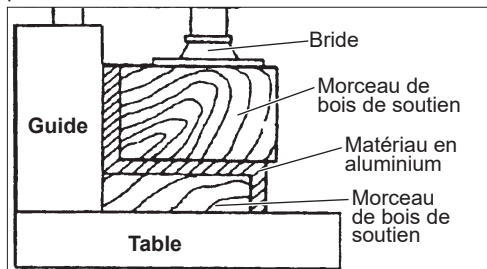
Il est possible de couper des pièces plus larges en utilisant le mécanisme de coulisse. Utilisez toujours la coupe en morceaux à chaque fois que cela est possible.



1. Assurez-vous que le dispositif de verrouillage des rails latéraux est desserré et que la tête d'abattage bouge librement vers l'arrière et l'avant.
2. Choisissez l'angle de coupe désiré et réglez les guides afin de vous assurer que les poignées du guide sont placées de façon à tenir les mains à distance de la zone mains à l'écart.
3. Installez la pièce sur la plaque tournante et alignez la coupe.
4. Installez le bloc-batterie.
5. Soutenez la pièce à l'aide de l'une des méthodes décrites dans la section « Soutenir correctement la pièce ».
6. **AVERTISSEMENT!** Gardez toujours vos mains hors de la zone mains à l'écart pendant l'utilisation de l'outil. Le contact avec la lame peut provoquer des blessures graves.
7. Relevez la tête d'abattage et posez-la SUR la pièce SANS couper.

Châssis en aluminium et autres types de profilés en U

Pour éviter de déformer un châssis en aluminium pendant la coupe, vous pouvez le soutenir avec des pièces de bois.



Plage d'onglets	Crans pour angles d'onglet (butées)
0° à 55° vers la gauche	0°, 15°, 22,5°, 31,62°, 45°, 55° vers la gauche
0° à 60° vers la droite	0°, 15°, 22,5°, 31,62°, 45°, 60° vers la droite
Plage de biseaux	Crans pour angles de biseau à (butées) :
0° à 48° vers la gauche	0°; 48° vers la gauche
0° à 48° vers la droite	0°; 48° vers la droite

Capacité de coupe pour une moulure de base	Capacité de coupe pour une corniche encastrée
171,45 mm (6-3/4") à 0° et 45° vers la gauche et la droite	190,5 mm (7-1/2")

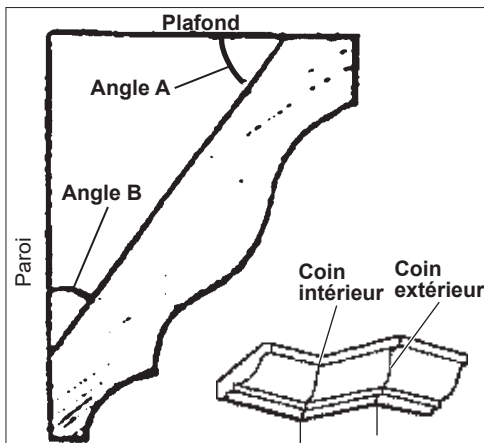
Deux méthodes pour couper une corniche

Lorsqu'on les additionne, les angles formés par les parties de la corniche qui s'appuient complètement sur le plafond et la paroi avec ces surfaces donnent 90° ($A + B = 90^\circ$). En général, les angles formés par la corniche sont les suivants :

52° et 38° : Un angle de 52° avec le plafond (A) et un angle de 38° avec la paroi (B). La scie à onglets comprend des crans pour des angles d'onglet à 31,6° vers la gauche et la droite ainsi qu'un cran pour un angle de biseau de 33,9° qui peuvent être utilisés pour couper une corniche de type 52° et 38°, à plat sur la table. Ces réglages sont signalés par des marques en forme de diamant.

45° et 45° : Un angle de 45° avec le plafond (A) et un angle de 45° avec la paroi (B). La scie à onglets comprend des crans pour des angles d'onglet de 35,3° vers la gauche et la droite ainsi qu'un cran pour un angle de biseau de 30° qui peuvent être utilisés pour couper une corniche de type 45° et 45°, à plat sur la table.

REMARQUE : Bien que tous ces angles constituent des mesures standards, les pièces sont rarement construites de manière à ce que les coins fassent exactement 90°. Il peut être nécessaire de peaufiner ces réglages et d'ajuster les angles de coupe en conséquence.



Coupe de la corniche à plat sur la table de la scie à onglets

Il est avantageux de procéder à la coupe de la corniche à plat sur la table, car il est plus facile ainsi de fixer la moulure à la position de coupe appropriée. De plus, il est possible de couper des parties larges de corniche si elle est à plat sur la table de la scie à onglets.

- Ajustez les angles de biseau et d'onglet en consultant le tableau intitulé « Angles d'onglet de la corniche ». Serrez le bouton de verrouillage de l'angle d'onglet et le bouton de verrouillage de l'angle de biseau.
- À l'aide de la section « Positionnement » ci-dessous, placez correctement la moulure. **REMARQUE** : faites toujours des coupes d'essai avec des chutes de bois pour vous assurer que les angles sont adéquats.
- Procédez à la coupe conformément à la section intitulée « Coupe en morceaux ».

Coupe de la corniche arc boutée sur le guide (encastrée – en position)

Utilisez toujours un guide pour corniche (No de cat. 43-98-0295) pour procéder à la coupe de la corniche arc boutée sur le guide. Ce type de coupe ne requiert pas de réglage d'angle de biseau. Il est possible de modifier légèrement l'angle d'onglet sans modifier l'angle de biseau. Avec cette méthode, il est possible de régler rapidement et facilement la scie pour les coins qui ne font pas 90° (carrés).

Positionnement

Corniche standard (É.-U.) avec angles de 52° et de 38° (régler l'angle de biseau à 33,85°)

Coin intérieur, côté gauche

- Bord supérieur de la moulure contre le guide
- Angle d'onglet réglé à droite sur 31,62°
- Conservé la section gauche de la pièce coupée

Coin intérieur, côté droit

- Bord inférieur de la moulure contre le guide
- Angle d'onglet réglé à gauche sur 31,62°
- Conservé la section gauche de la pièce coupée

Coin extérieur, côté gauche

- Bord inférieur de la moulure contre le guide
- Angle d'onglet réglé à gauche sur 31,62°
- Conservé la section droite de la pièce coupée

Coin extérieur, côté droit

1. Bord supérieur de la moulure contre le guide
2. Angle d'onglet réglé à droite sur 31,62°
3. Conserver la section droite de la pièce coupée

Corniche standard (É.-U.) avec angles de 45° (régler l'angle de biseau à 0°)

Coin intérieur, côté gauche

1. Bord supérieur de la moulure contre le guide
2. Angle d'onglet réglé à droite sur 45°
3. Conserver la section gauche de la pièce coupée

Coin intérieur, côté droit

1. Bord inférieur de la moulure contre le guide
2. Angle d'onglet réglé à gauche sur 45°
3. Conserver la section gauche de la pièce coupée

Coin extérieur, côté gauche

1. Bord inférieur de la moulure contre le guide
2. Angle d'onglet réglé à gauche sur 45°
3. Conserver la section droite de la pièce coupée

Côté droit, coin extérieur

1. Bord supérieur de la moulure contre le guide
2. Angle d'onglet réglé à droite sur 45°
3. Conserver la section droite de la pièce coupée

ENTRETIEN

⚠ AVERTISSEMENT Pour minimiser les risques de blessures corporelles, débranchez le chargeur et retirez la batterie du chargeur ou de l'outil avant d'y effectuer des travaux d'entretien. Ne jamais démonter le bloc-piles, le chargeur ou la batterie, sauf si ces instructions indiquent faire une telle chose. Pour toute autre réparation, contacter un centre de service de MILWAUKEE.

Entretien de l'outil

Gardez l'outil en bon état en adoptant un programme d'entretien ponctuel. Inspectez votre outil pour des questions telles que le bruit excessif, de grippage des pièces mobiles, de pièces cassées ou toute autre condition qui peut affecter le fonctionnement de l'outil. Retournez votre outil à un centre de service MILWAUKEE accrédité pour obtenir le service. Après une période pouvant aller de 6 mois à un an, selon l'usage, retournez votre outil à un centre de service MILWAUKEE accrédité pour d'inspection.

Si l'outil ne démarre pas ou ne fonctionne pas à pleine puissance alors qu'il est branché sur une batterie complètement chargée, nettoyez les points de contact entre la batterie et l'outil. Si l'outil ne fonctionne toujours pas correctement, renvoyez l'outil, le chargeur et la batterie à un centre de service MILWAUKEE accrédité.

Réglage de la scie à onglets

Le réglage de la scie à onglets est effectué à l'usine. Si le transport et la manutention ont déréglé l'outil, veuillez suivre les instructions ci-dessous afin d'effectuer le réglage de la scie avec précision. Ce réglage devrait conserver sa précision s'il est effectué correctement et si l'utilisation et le transport de l'outil s'effectuent dans des conditions normales.

Équerrage de la lame (à 90°) par rapport au guide (onglet à 0°)

1. **AVERTISSEMENT!** Retirez la batterie pour éviter de démarrer l'outil.
2. Placez une équerre contre le guide et la lame et vérifiez que l'équerre touche aux dents de la lame, ce qui rendrait la mesure imprécise.
3. Desserrez le bouton de verrouillage de l'onglet et alignez la scie pour fixer l'onglet à 0°. Ne serrez pas le bouton de verrouillage.
4. Si la lame de scie n'est pas exactement perpendiculaire au guide, utilisez la clé fournie pour desserrer les vis qui permettent de fixer le rapporteur d'onglet sur la base. Déplacez le rapporteur vers la gauche ou la droite jusqu'à ce que la lame soit perpendiculaire au guide et vérifiez à l'aide d'une équerre. Resserrez les vis.
5. Desserrez la vis de réglage de l'aiguille d'angle d'onglet et remplacez l'aiguille de manière à ce qu'elle indique le zéro. Une fois l'aiguille correctement installée, resserrez la vis.

Équerrage de la lame (à 90°) par rapport à la table (biseau à 0°)

1. **AVERTISSEMENT!** Retirez la batterie pour éviter de démarrer l'outil.
2. Déposez les 6 vis qui maintiennent l'éjecteur de sciure en place.
3. Déplacez le levier de réglage du biseau jusqu'au milieu et enfoncez là un outil (tournevis, etc.) pour garder la poignée dans cette position. Déplacez la tête d'abattage jusqu'à ce que le mécanisme à crans du biseau s'arrête sur la position 0°.
4. Placez une équerre contre la table et la lame et assurez-vous que l'équerre ne touche pas aux dents de la lame, ce qui rendrait la mesure imprécise.
5. Desserrez les 2 vis (T25) situées en avant de l'axe de biseau. Ces vis sont utilisées pour serrer le corps du mécanisme à crans.
6. À l'aide d'une clé T25, il est possible d'ajuster l'angle de biseau de la lame par rapport à la table. Tournez la vis dans le sens horaire pour incliner la lame vers la droite et tournez-la dans le sens antihoraire pour incliner la lame vers la gauche.
7. Une fois la lame réglée pour un biseau à 0°, serrez les 2 vis jusqu'à 95 à 105 po lb.
8. Retirez l'outil qui a été utilisé afin de bloquer le levier de réglage du biseau.
9. Amenez le levier de réglage du biseau à la position « lock » (verrouillage).
10. Réassemblez les parois du port d'éjection de la sciure et serrez solidement les 6 vis.
11. Au besoin, desserrez les vis de réglage de l'aiguille d'angle de biseau et remplacez-la de manière à ce qu'elle indique le zéro. Une fois l'aiguille placée correctement, resserrez les vis.

ONE-KEY™

⚠ AVERTISSEMENT Risque de brûlure chimique. Ce dis-positif contient une pile bouton au lithium. Une pile neuve ou usée peut causer des brûlures internes graves entraînant la mort en seulement 2 heures si avalée ou entrée dans le corps. Toujours fixer le couvercle du compartiment des piles. Si le couvercle ne se ferme pas bien, arrêter d'utiliser le dispositif, retirer les piles et les garder hors de la portée des enfants. Si vous soupçonnez que les piles ont été avalées ou entrées dans le corps, consultez immédiatement un médecin.



Pile bouton interne

Une pile bouton interne est utilisée pour faciliter la fonctionnalité ONE-KEY™ complète.

Pour remplacer la pile bouton :

1. **AVERTISSEMENT!** Retirez la batterie de l'outil pour éviter de démarrer l'outil.
2. Retirer les vis et ouvrir la porte du compartiment de la pile bouton.
3. Retirer la vieille pile bouton, la tenir hors de la portée des enfants et se débarrasser d'elle comme il faut.
4. Mettre la nouvelle pile bouton (3V CR2032), en mettant le pôle positif vers le haut.
5. Fermer la porte du compartiment de la pile et serrer la vis fermement.

AVERTISSEMENT Pour minimiser les risques de blessures ou de dommages à l'outil, n'immergez jamais l'outil, la batterie ou le chargeur et ne laissez pas de liquide s'y infiltrer.

Nettoyage

Débarrassez les tous événements des débris et de la poussière. Gardez les outil propres, à sec et exempts d'huile ou de graisse. Le nettoyage doit se faire avec un linge humide et un savon doux. Certains nettoyants tels l'essence, la térébenthine, les diluants à laque ou à peinture, les solvants chlorés, l'ammoniaque et les détergents d'usage domestique qui en contiennent pourraient détériorer le plastique et l'isolation des pièces. Ne laissez jamais de solvants inflammables ou combustibles auprès des outils.

Réparations

Pour les réparations, retournez outil, batterie et chargeur en entier au centre-service autorisé le plus près.

ACCESSOIRES

AVERTISSEMENT L'utilisation d'autres accessoires que ceux qui sont spécifiquement recommandés pour cet outil peut comporter des risques.

Pour une liste complète des accessoires, visiter le site internet www.milwaukeetool.com ou contactez un distributeur.

COMMUNICATION SANS FIL

Pour les produits comportant des fonctions de communication sans fil, ONE-KEY™ y compris : Conformément à la part 15.21 du Règlement de la FCC, ne pas modifier ce produit-ci. Une telle modification pourra annuler votre autorisation à utiliser le produit. Cet appareil est conforme à la part 15 du Règlement de la FCC et les normes RSS d'exemption de licence de l'ISED-Canada. Son fonctionnement est soumis aux conditions suivantes : 1) Cet appareil ne doit produire aucun brouillage préjudiciable ; et 2) cet appareil doit fonctionner en dépit de tout brouillage capté, y compris le brouillage pouvant mener à un fonctionnement non désiré.

SERVICE - CANADA

Milwaukee Tool (Canada) Ltd
1.877.948.2360

Monday-Friday, 7:00 AM - 4:30 PM CST
www.milwaukeetool.ca

GARANTIE LIMITÉE - AUX ÉTATS-UNIS ET AU CANADA

Cet outil électrique MILWAUKEE* est garanti à l'acheteur d'origine uniquement par un distributeur agréé de MILWAUKEE d'être exempt de vice du matériau et de fabrication. Sous réserve de certaines exceptions, MILWAUKEE réparera ou remplacera toute pièce de cet outil électrique qui, après examen par MILWAUKEE, est affectée d'un vice de matériau ou de fabrication pendant une période de cinq (5) ans après la date d'achat, sauf indication contraire. Il faudra retourner l'outil électrique à un centre de service en usine MILWAUKEE ou à un poste d'entretien agréé MILWAUKEE, en port prépayé et assuré. Une copie de la preuve d'achat doit être présentée lors du retour du produit. Cette garantie ne couvre pas les dommages que MILWAUKEE détermine d'être causés par des réparations ou des tentatives de réparation par quiconque d'autre que le personnel agréé par MILWAUKEE, des utilisations incorrectes, des altérations, des utilisations abusives, une usure normale, une carence d'entretien ou les accidents.

Usure normale : Par rapport à plusieurs outils électriques, il faut remplacer et entretenir leurs pièces afin de jouir de leur rendement optimal. Cette garantie ne couvre pas les cas de réparation lorsque la vie utile normale de la pièce s'est terminée, incluant, sans s'y limiter, les mandrins, les balais, les câbles, les patins de scie, les brides de lame, les joints toriques, les embouts, les butoirs, les lames d'entraînement, les pistons, les perceurs, les poussoirs et les rondelles de protection de butoir.

*Cette garantie ne couvre ni les blocs-piles ni tous les outils électriques. Veuillez vous reporter aux autres garanties différentes disponibles pour ces produits.

La période durant laquelle la garantie est valable pour la lumière à DEL de la lampe de travail à DEL (49-24-0171) et l'ampoule transformée à DEL (49-81-0090) est d'une durée égale à la vie utile du produit en raison des limites au-dessus. Si la lumière à DEL ou l'ampoule transformée à DEL tombent en panne durant l'utilisation normale, la pièce sera remplacée gratuitement.

L'inscription de la garantie n'est pas nécessaire pour bénéficier de la garantie en vigueur d'un outil électrique MILWAUKEE. La date de fabrication du produit servira à établir la période de garantie si aucune preuve d'achat n'est fournie lorsqu'une demande de service sous garantie est faite.

L'ACCEPTATION DES RECOURS EXCLUSIFS DE RÉPARATION ET DE REMPLACEMENT DÉCRITS PAR LA PRÉSENTE EST UNE CONDITION DU CONTRAT D'ACHAT DE TOUT PRODUIT MILWAUKEE. SI VOUS N'ACCEPTÉZ PAS CETTE CONDITION, VOUS NE DEVEZ PAS ACHETER LE PRODUIT. EN AUCUN CAS MILWAUKEE NE SAURAIT ÊTRE RESPONSABLE DE TOUT DOMMAGE ACCESSOIRE, SPÉCIAL OU INDIRECT, DE DOMMAGES-INTÉRÊTS PUNITIFS OU DE TOUTE DÉPENSE D'HONORAIRES D'AVOCATS, DE FRAIS, DE PERTE OU DE DÉLAIS ACCESSOIRES À TOUT DOMMAGE, DÉFAILLANCE OU DÉFAUT DE TOUT PRODUIT, Y COMPRIS NOTAMMENT LES PERTES DE PROFIT. CERTAINS ÉTATS ET PROVINCES NE PERMETTANT L'EXCLUSION OU LA LIMITATION DES DOMMAGES DIRECTS OU INDIRECTS, LES RESTRICTIONS CI-DESSOUS PEUVENT NE PAS ÊTRE APPLICABLES. CETTE GARANTIE EST EXCLUSIVE ET REMPLACE TOUTE AUTRE GARANTIE EXPRESSE, QU'ELLE SOIT VERBALE OU ÉCRITE. DANS LA MESURE PERMISE PAR LA LOI, MILWAUKEE RENONCE À TOUTE GARANTIE IMPLICITE, Y COMPRIS, SANS S'Y LIMITER, TOUTE GARANTIE IMPLICITE DE COMMERCIALISABILITÉ OU D'ADAPTATION À UNE UTILISATION OU À UNE FIN PARTICULIÈRE. DANS LA MESURE OU UNE TELLE STIPULATION D'EXONÉRATION N'EST PAS PERMISE PAR LA LOI, LA DURÉE DE CES GARANTIES IMPLICITES EST LIMITÉE À LA PÉRIODE APPLICABLE DE LA GARANTIE EXPRESSE, TELLE QUE CELA EST DÉCRIT PRÉCÉDEMMENT. CERTAINES PROVINCES NE PERMETTANT PAS DE LIMITATION DE DURÉE DES GARANTIES IMPLICITES, LES RESTRICTIONS CI-DESSUS PEUVENT NE PAS ÊTRE APPLICABLES. LA PRÉSENTE CONFÈRE À L'UTILISATEUR DES DROITS LÉGAUX PARTICULIERS ; IL BÉNÉFICIE ÉGALEMENT D'AUTRES DROITS QUI VARIENT D'UNE PROVINCE À L'AUTRE. Cette garantie s'applique uniquement aux produits vendus aux États-Unis et au Canada.

Veuillez consulter l'onglet « Trouver un centre Service », dans la section « Pièces et service » du site web de MILWAUKEE, à l'adresse www.milwaukeetool.com, ou composer le 1.800.SAWDUST (1.800.729.3878) afin de trouver le centre de service le plus proche dans votre région pour l'entretien, sous garantie ou non, de votre outil électrique MILWAUKEE.

ADVERTENCIAS DE SEGURIDAD GENERALES PARA LA HERRAMIENTA ELÉCTRICA

⚠️ ADVERTENCIA Lea todas las advertencias de seguridad, instrucciones, ilustraciones y especificaciones con esta herramienta eléctrica. Si no sigue todas las advertencias e instrucciones, se pueden provocar una descarga eléctrica, un incendio o lesiones graves. Guarde todas las advertencias e instrucciones para consultarlas en el futuro. El término "herramienta eléctrica" en todas las advertencias incluidas más abajo se refiere a su herramienta operada por conexión (cable) a la red eléctrica o por medio de una batería (inalámbrica).

SEGURIDAD EN EL ÁREA DE TRABAJO

- **Mantenga el área de trabajo limpia y bien iluminada.** Las áreas desordenadas u oscuras son propicias para los accidentes.
- **No utilice herramientas eléctricas en atmósferas explosivas, tales como en presencia de líquidos, gases o polvos inflamables.** Las herramientas eléctricas generan chispas que pueden encender el polvo o los vapores.
- **Mantenga a los niños y a los espectadores alejados mientras utiliza una herramienta eléctrica.** Las distracciones pueden ocasionar la pérdida de control.

SEGURIDAD ELÉCTRICA

- **Los enchufes de la herramienta eléctrica deben coincidir con el tomacorriente.** Nunca modifique el enchufe de ninguna manera. No utilice adaptadores de enchufe con herramientas eléctricas aterrizadas. Los enchufes y tomacorrientes correspondientes sin modificar reducirán el riesgo de descarga eléctrica.
- **Evite el contacto corporal con superficies aterrizadas, tales como tuberías, radiadores, estufas y refrigeradores.** Existe un riesgo mayor de descarga eléctrica si su cuerpo está aterrizado.
- **No exponga las herramientas eléctricas a la lluvia ni a condiciones húmedas.** Si se introduce agua en una herramienta eléctrica, aumentará el riesgo de descarga eléctrica.
- **No maltrate el cable.** Nunca utilice el cable para cargar, jalar o desconectar la herramienta eléctrica. Mantenga el cable alejado del calor, el aceite, los bordes afilados o las partes en movimiento. Los cables dañados o enredados aumentan el riesgo de descarga eléctrica.
- **Al utilizar una herramienta eléctrica en exteriores, utilice una extensión adecuada para uso en exteriores.** El uso de una extensión adecuada para el uso en exteriores disminuye el riesgo de descarga eléctrica.
- **Si es inevitable utilizar una herramienta eléctrica en un lugar húmedo, utilice un alimentador de corriente protegido con un interruptor de circuito por falla de conexión a tierra (GFCI).** El uso de un GFCI reduce el riesgo de descarga eléctrica.

SEGURIDAD PERSONAL

- **Manténgase alerta, atento a lo que está haciendo y utilice el sentido común al utilizar una herramienta eléctrica.** No utilice una herramienta eléctrica mientras está cansado o bajo la influencia de drogas, alcohol o medicamentos. Un momento de distracción al utilizar herramientas eléctricas puede ocasionar lesiones personales graves.
- **Utilice equipo de protección personal. Siempre use protección para los ojos.** El equipo de protección, tal como una máscara contra polvo, calzado antidesslizante,

- casco o protección auditiva, utilizado para condiciones adecuadas disminuirá las lesiones personales.
- **Evite el arranque accidental. Asegúrese de que el interruptor esté en la posición de apagado antes de conectarlo a una fuente de poder y/o batería, levantar o trasladar la herramienta.** Trasladar herramientas con el dedo en el interruptor o energizar herramientas eléctricas que tienen el interruptor encendido propicia accidentes.
- **Retire cualquier llave de ajuste antes de entender la herramienta.** Una llave que se deje insertada en una parte giratoria de la herramienta eléctrica puede ocasionar lesiones personales.
- **No estire el cuerpo demasiado. Mantenga un buen contacto entre los pies y el suelo y mantenga el equilibrio en todo momento.** Esto permite un mejor control de la herramienta eléctrica en situaciones inesperadas.
- **Vístase adecuadamente. No utilice ropa o joyería holgada. Mantenga el cabello y la ropa alejados de las partes móviles.** La ropa holgada, las alhajas o el cabello largo pueden quedarse atrapados en las partes móviles.
- **Si se proporcionan dispositivos para la conexión de instalaciones de extracción y recolección de polvo, cerciése de que estén conectados y se utilicen correctamente.** El uso de dispositivos recolectores de polvo puede disminuir los riesgos relacionados con el polvo.
- **No permita que la familiaridad por el uso frecuente de las herramientas lo hagan sentirse seguro e ignoren los principios de seguridad de las herramientas.** Un descuido puede provocar lesiones graves en una fracción de segundo.

USO Y CUIDADO DE LAS HERRAMIENTAS ELÉCTRICAS

- **No fuerce la herramienta eléctrica.** Utilice la herramienta eléctrica correcta para su aplicación. La herramienta eléctrica correcta realizará el trabajo mejor y con mayor seguridad a la velocidad para la que fue diseñada.
- **No utilice la herramienta eléctrica si el interruptor no la enciende y la apaga.** Cualquier herramienta eléctrica que no pueda controlarse con el interruptor es peligrosa y debe repararse.
- **Desconecte el enchufe de la fuente de energía y/o quite la batería de la herramienta eléctrica, si es posible, antes de realizar cualquier ajuste, cambiar accesorios o almacenar las herramientas eléctricas.** Tales medidas preventivas de seguridad disminuyen el riesgo de que la herramienta eléctrica se encienda accidentalmente.
- **Almacene las herramientas eléctricas que no se estén utilizando fuera del alcance de los niños y no permita que personas que no estén familiarizadas con la herramienta eléctrica o con estas instrucciones la utilicen.** Las herramientas eléctricas son peligrosas en manos de usuarios sin capacitación.
- **Dé mantenimiento a las herramientas eléctricas y accesorios.** Verifique que no haya desalineación, amarre de partes móviles, partes rotas o alguna otra condición que pueda afectar el funcionamiento de la herramienta eléctrica. Si se daña, asegúrese de que la herramienta eléctrica sea reparada antes de que se utilice. Muchos accidentes son ocasionados por herramientas eléctricas con mantenimiento deficiente.
- **Mantenga las herramientas de corte afiladas y limpias.** Las herramientas de corte correctamente mantenidas con bordes de corte afilados son menos propensas a atorarse y son más fáciles de controlar.
- **Utilice la herramienta eléctrica, los accesorios y las puntas, etc. de acuerdo con estas instrucciones,**

tomando en cuenta las condiciones de trabajo y el trabajo a realizar. El uso de la herramienta eléctrica para operaciones diferentes a las previstas podría generar una situación peligrosa.

- **Mantenga las empuñaduras y las superficies de sujeción secas, limpias y libres de aceite y grasa.** Las empuñaduras y superficies de sujeción resbalosas no permiten el manejo y control seguros de la herramienta en situaciones inesperadas.

USO Y CUIDADO DE LAS HERRAMIENTAS CON BATERÍA

- **Recargue únicamente con el cargador especificado por el fabricante.** Un cargador que es adecuado para un tipo de batería puede crear un riesgo de incendio si se utiliza con otra batería.
- **Utilice las herramientas eléctricas únicamente con baterías específicamente diseñadas.** El uso de cualquier otra batería puede producir un riesgo de lesiones e incendio.
- **Cuando la batería no esté en uso, manténgala alejada de otros objetos metálicos como sujetapapeles, monedas, llaves, clavos, tornillos u otros objetos metálicos pequeños que puedan formar una conexión de una terminal a otra.** Crear un corto entre las terminales de la batería puede ocasionar quemaduras o un incendio.
- **Bajo condiciones de maltrato, el líquido puede ser expulsado de la batería, evite el contacto.** En caso de contacto accidental, lave con agua. Si el líquido entra en contacto con los ojos, busque además ayuda médica. El líquido expulsado de la batería puede causar irritación o quemaduras.
- **No use una batería o herramienta que se haya dañado o modificado.** Las baterías dañadas o modificadas pueden mostrar un comportamiento impredecible, causando incendios, explosión o riesgo de lesión.
- **No exponga una batería o herramienta al fuego o a temperatura excesiva.** La exposición a fuego o temperatura a más de 130° C (265° F) puede causar explosiones.
- **Siga todas las instrucciones de carga y no cargue la batería o la herramienta fuera del rango de temperatura especificado en las instrucciones.** La carga incorrecta o a temperaturas fuera del rango especificado puede dañar la batería y aumentar el riesgo de incendio.

MANTENIMIENTO

- **Lleve su herramienta eléctrica a servicio con un técnico calificado que use únicamente piezas de reemplazo idénticas.** Esto asegurará que la seguridad de la herramienta eléctrica se mantenga.
- **Nunca dé servicio a baterías dañadas.** Únicamente el fabricante o proveedores de servicio autorizados deben dar servicio a las baterías.

REGLAS ESPECÍFICAS DE SEGURIDAD PARA SIERRA DE INGLETE

- **Las sierras de inglete están diseñadas para cortar madera o productos parecidos a la madera, no pueden usarse con discos de corte abrasivo para cortar material ferroso como barras, varillas, montantes, etc.** El polvo abrasivo ocasiona que las piezas móviles como la guarda inferior se atasquen. Las chispas del corte abrasivo queman la guarda inferior, el inserto de separación de corte y otras piezas de plástico.
- **Use las prensas para apoyar la pieza de trabajo siempre que sea posible.** Si apoya la pieza de trabajo manualmente, siempre debe mantener la

mano al menos a 100 mm de cualquiera de los lados de la hoja de la sierra. No use esta sierra para cortar piezas que sean demasiado pequeñas para sujetarse firmemente con prensas o con la mano. Si su mano se coloca demasiado cerca de la hoja de la sierra, habrá un mayor riesgo de lesión por contacto con la hoja.

- **La pieza de trabajo debe estar fija y sujeta contra prensa o sujeta contra el tope guía y la mesa.** No alimente la pieza de trabajo contra la hoja ni corte "a mano libre" de ninguna manera. Las piezas de trabajo sin sujeción o móviles podrían salir lanzadas a altas velocidades, ocasionando lesiones.
- **Empuje la sierra contra la pieza de trabajo. No jale la sierra contra la pieza de trabajo.** Para hacer un corte, levante el cabezal de la sierra y jálelo sobre la pieza de trabajo sin cortar, arranque el motor, presione el cabezal de la sierra hacia abajo y empuje la sierra contra la pieza de trabajo. Hacer un corte en el recorrido de jalón, probablemente ocasionará que la hoja de la sierra se suba a la pieza de trabajo y lance violentamente el ensamble de la hoja hacia el operador.
- **Nunca cruce su mano sobre la línea pretendida de corte, ni al frente ni atrás de la hoja de la sierra.** Apoyar la pieza de trabajo con las "manos cruzadas", es decir, sosteniendo la pieza de trabajo a la derecha de la hoja de la sierra con la mano izquierda o viceversa es muy peligroso.
- **No estire y ponga ninguna de las manos detrás del tope guía a menos de 100 mm de cualquiera de los lados de la hoja de la sierra para retirar virutas de madera o por cualquier otro motivo mientras la hoja esté girando.** La proximidad de la hoja de sierra giratoria a su mano puede no ser obvia y puede causarle lesiones graves.
- **Inspeccione su pieza de trabajo antes de cortar.** Si la pieza de trabajo está pandeada o deformada, sujétela con la cara pandeada exterior hacia el tope guía. Siempre asegúrese de que no haya espacio entre la pieza de trabajo, el tope guía y la mesa o lo largo de la línea de corte. Las piezas de trabajo dobladas o deformadas pueden girar o moverse y ocasionar atascos en la hoja giratoria de la sierra durante el corte. No debe haber clavos ni objetos extraños en la pieza de trabajo.
- **No utilice la sierra hasta que la mesa esté libre de todas las herramientas, pedazos de madera, etc., excepto por la pieza de trabajo.** Los desechos pequeños o los pedazos sueltos de madera u otros objetos que entran en contacto con la hoja revolvente pueden salir disparados a alta velocidad.
- **Corte únicamente una pieza de trabajo a la vez.** Múltiples piezas de trabajo apiladas no se pueden sujetar adecuadamente con una prensa o un soporte y pueden atascarse en la hoja o moverse durante el corte.
- **Asegúrese de que la sierra de inglete esté montada o colocada sobre una superficie de trabajo nivelada y firme antes de usarse.** Una superficie de trabajo nivelada y firme reduce el riesgo de que la sierra de inglete se ponga inestable.
- **Planee su trabajo.** Cada vez que cambie el bisel o el ajuste del ángulo de inglete, asegúrese de que el tope guía ajustable esté correctamente ajustado para apoyar la pieza de trabajo y no interferir con la hoja o el sistema de guarda. Sin encender la herramienta y sin una pieza de trabajo en la mesa, mueva la hoja de la sierra a través de un corte simulado completo para asegurar que no haya interferencia o peligro de cortar el tope guía.
- **Proporcione soporte adecuado como extensiones de mesa, caballetes, etc. para una pieza de trabajo**

que es más ancha o más larga que la cubierta de la mesa. Las piezas de trabajo más largas o más anchas que la mesa de la sierra de inglete pueden volcarse si no están apoyadas firmemente. Si la pieza cortada o la pieza de trabajo se vuelca, puede levantar la guarda inferior o ser lanzada por la hoja giratoria.

• **No utilice a otra persona como sustituto para una extensión de mesa o un apoyo adicional.** El soporte inestable de la pieza de trabajo puede ocasionar que la hoja se atasque o que la pieza de trabajo se mueva durante la operación de corte, jalándolo a usted y al ayudante hacia la hoja giratoria.

• **La pieza cortada no debe atascarse ni presionarse de ninguna manera contra la hoja giratoria de la sierra.** Si se confina, es decir, si se usan topes de longitud, la pieza cortada podría quedar acunada contra la hoja y ser lanzada violentamente.

• **Siempre use una prensa o un dispositivo diseñado para sujetar adecuadamente material redondo, como varillas o tubos.** Las varillas tienen una tendencia a rodar mientras se están cortando, ocasionando que la hoja "muerda" y jale el trabajo con su mano hacia la hoja.

• **Deje que la hoja alcance la velocidad total antes de entrar en contacto con la pieza de trabajo.** Esto reducirá el riesgo de que la pieza de trabajo sea lanzada.

• **Si la pieza de trabajo o la hoja se atasca, apague la sierra de inglete. Espere a que todas las piezas móviles se detengan y desconecte el enchufe de la fuente de alimentación y/o extraiga la batería. Luego libere el material atascado.** Seguir aserrando con una pieza de trabajo atascada podría ocasionar pérdida del control o daño a la sierra de inglete.

• **Después de terminar el corte, suelte el interruptor, sostenga el cabezal de la sierra hacia abajo y espere a que la hoja se detenga antes de retirar la pieza cortada.** Es peligroso poner la mano cerca de la hoja en movimiento.

• **Sostenga la empuñadura firmemente al hacer un corte incompleto o al soltar el interruptor antes de que el cabezal de la sierra baje por completo.** La acción de frenado de la sierra puede ocasionar que el cabezal de la sierra sea jalado repentinamente hacia abajo, provocando un riesgo de lesiones.

• **ADVERTENCIA** Para reducir el riesgo de lesiones en aplicaciones que producen una cantidad considerable de polvo, use una solución de extracción de polvo que cumpla con OSHA de acuerdo con las instrucciones de operación de la solución.

• **Válgase siempre de su sentido común y sea cuidadoso cuando utilice herramientas.** No es posible anticipar todas las situaciones que podrían tener un desenlace peligroso. No utilice esta herramienta si no entiende estas instrucciones de uso o si considera que el trabajo a realizar supera sus capacidades, comuníquese con Milwaukee Tool o con un profesional capacitado para recibir capacitación o información adicional.

• **Conserve las etiquetas y las placas nominales.** Contienen información importante. Si son ilegibles o no están presentes, comuníquese con un centro de servicio MILWAUKEE para obtener un reemplazo gratuito.

• **ADVERTENCIA** Algunos polvos generados por el lijado eléctrico, aserrado, pulido, taladrado y otras actividades de construcción contienen químicos identificados como causantes de cáncer, defectos congénitos u otros daños reproductivos. Algunos ejemplos de estos químicos son:

• plomo de pintura basada en plomo

• dióxido de silicio de los ladrillos y el cemento y otros productos de albañilería y
 • arsénico y cromo de madera con tratamiento químico. Su riesgo por estas exposiciones varía, dependiendo de la frecuencia con que realice este tipo de trabajo. Para reducir su exposición a estos químicos: trabaje en un área bien ventilada y trabaje con equipo de seguridad aprobado, como mascarillas protectoras contra polvo especialmente diseñadas para filtrar partículas microscópicas.

ESPECIFICACIONES

Cat. No.	2739-20
Volts.....	18 CD
Tipo de batería.....	M18™
Tipo de cargador.....	M18™
Módulo/ID de FCC.....	BLE113/QOQBLE113
RPM.....	3 600
Tamaño del eje.....	5/8"
Tamaño de la hoja.....	304 mm (12")
Espesor de la hoja (corte).....	máx. 3,2 mm (1/8")
Peso.....	21,6 kg (47,6 lbs.)
Temperatura ambiente recomendada para operar.....	-18°C to 50°C (0°F to 125°F)

SIMBOLOGÍA



Volts



Corriente directa

n₀ XXXX min⁻¹ Revoluciones por minuto sin carga (RPM)



Zona libre de manos - Mantenga las manos fuera de la zona libre de manos en todo momento durante el uso de la sierra. El contacto con la hoja causará lesiones graves.



Leer el manual del operador



UL Listing Mark para Canadá y Estados Unidos

CAPACIDADES

Cortes de inglete

Altura máx.....	96,52 mm (3,8")
Ancho máx a 0°.....	340,36 mm (13,4")
Ancho máx a 45°.....	236,22 mm (9,3")

Cortes bisel

Altura máx a bisel 0°.....	96,52 mm (3,8")
Altura máx a bisel 45° izquierdo.....	63,5 mm (2,5")
Altura máx a bisel 45° derecho.....	40,64 mm (1,6")

Cortes compuestos (45° inglet y 45° bisel)

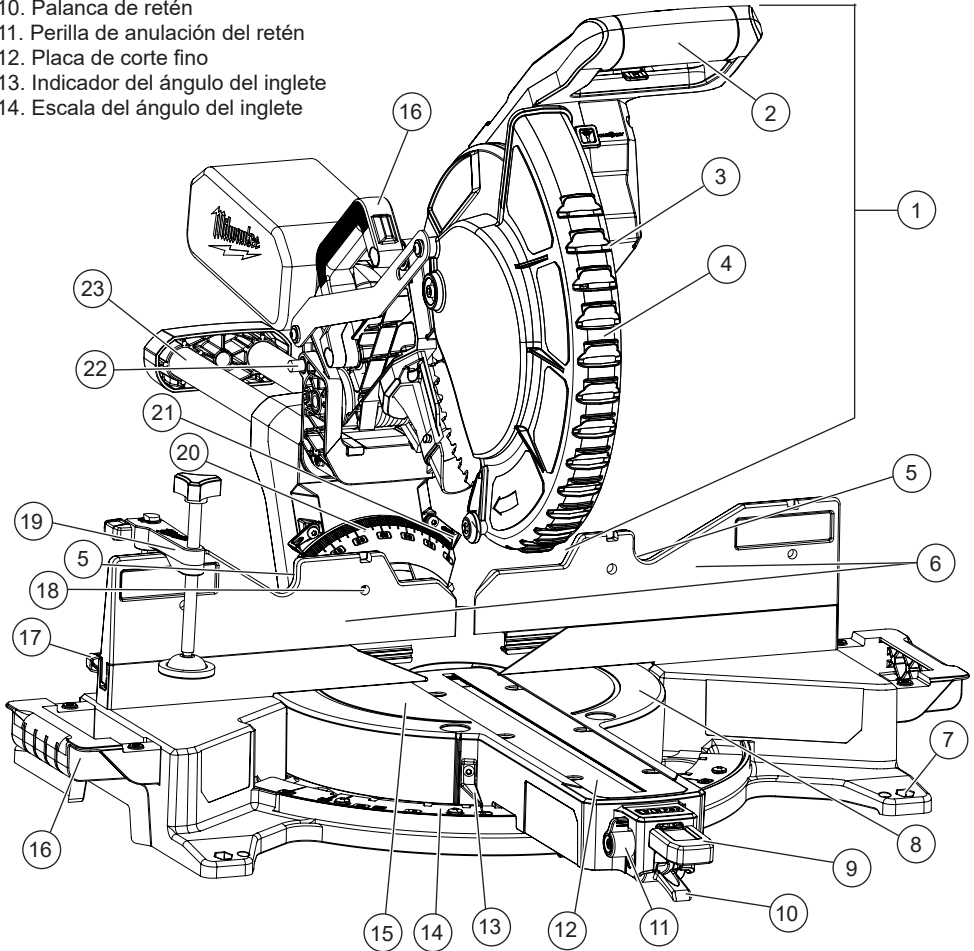
Izquierdo.....	236,22 mm W
	a 63,5 mm H (9,3" W a 2,5" H)
Derecho.....	236,22 mm W
	a 40,64 mm H (9,3" W a 1,6" H)

Pieza de trabajo vertical contra valla

Inglete 0°/Bisel 0°.....	172,72 mm H
	a 27,94 mm W (1,1" W a 6,8" H)
Izquierdo Inglete 45°/Bisel 45°.....	172,72 mm H a
	15,24 mm W (0,6" W a 6,8" H)
Derecho Inglete 45°/Bisel 45°.....	172,72 mm H
	a 15,24 mm W (0,6" W a 6,8" H)

DESCRIPCION FUNCIONAL

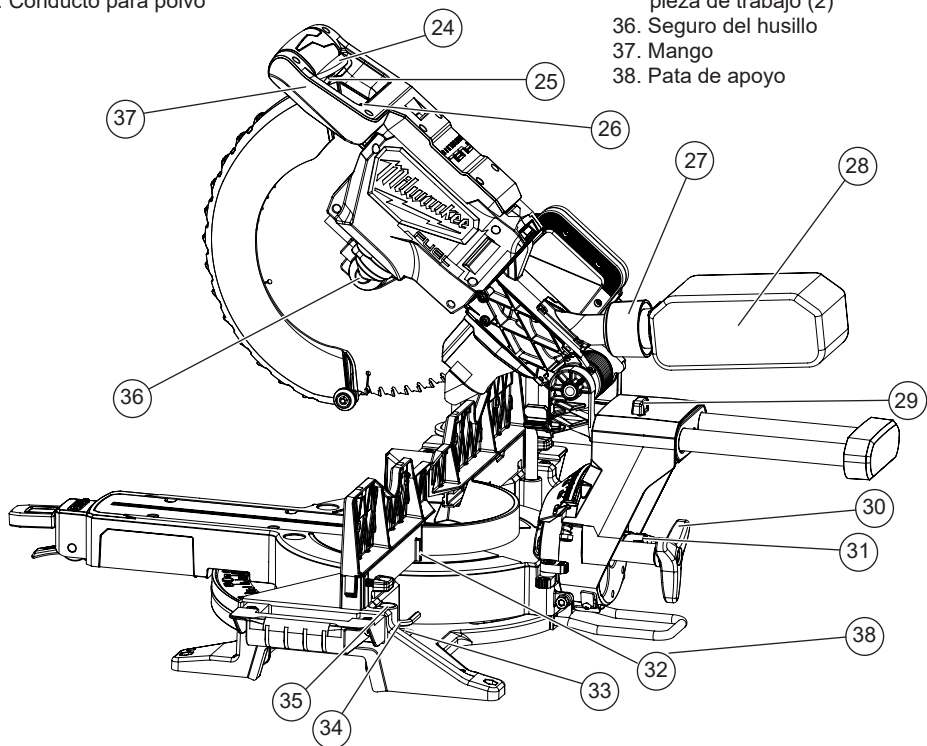
- | | | |
|--------------------------------------|---|-------------------------------------|
| 1. Cabeza de la sierra | 15. Círculo del área de no colocar las manos | 20. Escala del ángulo del bisel |
| 2. Mango del gatillo | 16. Mangos para cargar | 21. Indicador del ángulo del bisel |
| 3. Lámpara (no se muestra) | 17. Perilla para bloquear la guía (2) | 22. Pasador de bloqueo de la cabeza |
| 4. Protector inferior | 18. Agujeros de montaje del panel delantero (4) | 23. Rieles de deslizamiento |
| 5. Manijas de la guía | 19. Prensa de la pieza de trabajo | |
| 6. Guías (2) | | |
| 7. Agujeros de montaje (4) | | |
| 8. Disco giratorio | | |
| 9. Palanca de bloqueo del inglete | | |
| 10. Palanca de retén | | |
| 11. Perilla de anulación del retén | | |
| 12. Placa de corte fino | | |
| 13. Indicador del ángulo del inglete | | |
| 14. Escala del ángulo del inglete | | |



- 24. Gatillo
- 25. Seguro del gatillo
- 26. Interruptor indicador de la línea de corte (no se muestra)
- 27. Conducto para polvo

- 28. Bolsa para polvo
- 29. Seguro del riel de deslizamiento
- 30. Perilla del bisel
- 31. Pasador de tope de 0°

- 32. Tope manual
- 33. Almacenaje de llaves (no se muestra)
- 34. Llave hexagonal de 6 mm
- 35. Receptáculos de la prensa de la pieza de trabajo (2)
- 36. Seguro del husillo
- 37. Mango
- 38. Pata de apoyo



ENSAMBLAJE

Instalación de las asas para transporte

Las asas para transporte se utilizan para transporte, así como también para apoyar las extensiones para cortar piezas de trabajo más largas.

Use los cuatro pernos para sujetar las asas para transporte a cada lado de la mesa de la sierra de inglete, usando la llave de hoja suministrada. Apriete bien. Siempre bloquee los rieles corredizos y bloquee el cabezal de la sierra antes de transportar la herramienta.

Instalación de la pata de apoyo

Coloque la sierra de inglete sobre su costado. Inserte la pata de apoyo (la curva debe quedar en ángulo hacia el suelo) en los dos orificios debajo de los rieles de deslizamiento. Empuje hacia dentro la pata de apoyo hasta que tope. Para sujetar, inserte y apriete el tornillo en el extremo de uno de los dientes de la pata de apoyo.

Transporte y almacenamiento

Siempre bloquee el cabezal de la sierra y los rieles corredizos antes de transportar y guardar la herramienta. Sólo lleve las herramientas por las asas de transporte.

Cabezal de la sierra

Para **bloquear** presione sin soltar el cabezal de la sierra y luego empuje la espiga de bloqueo hacia adentro.

Para **desbloquear** presione sin soltar el cabezal de la sierra y jale la espiga de bloqueo hacia afuera. Eleve el cabezal de la sierra.

Rieles corredizos

Para **desbloquearlos**, afloje el seguro del riel corredizo girándolo hacia la izquierda.

Para **bloquear**, deslice el cabezal de la sierra hacia adelante y apriete el seguro del riel corredizo girándolo hacia la derecha.

Montaje de la sierra de inglete

Para evitar que la herramienta se deslice, caiga o voltee desde una superficie de trabajo elevada durante la operación, la sierra puede montarse en una superficie de apoyo tal como una mesa de trabajo firme y nivelada, un banco o una base para sierra de inglete. Coloque la sierra y el banco de trabajo de manera que deje un espacio adecuado para los cortes transversales de piezas de trabajo largas. Para montar la sierra, inserte los sujetadores a través de los orificios en las esquinas de la mesa de la sierra y asegúrelos. Siga las instrucciones del fabricante al montarla en una base de sierra de inglete.

Recolección de polvo

⚠ ADVERTENCIA El aserrín recolectado de las piezas de trabajo recubiertas (poliuretanos, aceite de linaza, etc.) pueden autoencenderse en la bolsa de polvo o en cualquier otro lugar y provocar un incendio. Para reducir el riesgo de incendio, vacíe la bolsa de polvo con frecuencia y nunca guarde ni deje una sierra sin vaciar por completo su bolsa de polvo.

El puerto del polvo en la parte posterior de la sierra puede conectarse a una manguera de succión de taller estándar o a la bolsa de polvo que se incluye. Deje la bolsa de polvo abierta para dirigir el polvo hacia un bote de basura.

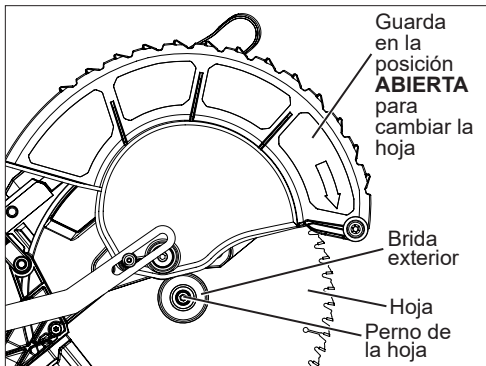
Para instalarla, empuje y gire la manguera o bolsa de polvo en el puerto del polvo.

Uso de tableros de cara

Cuando use tableros de cara, asegúrelos usando orificios de montaje en los topes guía. Los tableros de cara ponen distancia entre el tope guía y la pieza de trabajo, ofreciendo un mejor apoyo para algunas piezas de trabajo. La producción de astillas en la pieza de trabajo puede disminuirse usando los tableros de cara.

Selección, instalación y cambio de hojas

Utilice siempre hojas afiladas y limpias. Las hojas sin filo tienden a sobrecargar la herramienta, amarrarla y provocar pellizcos. Use únicamente *hojas para sierra de inglete deslizante de 304 mm (12")* con una clasificación de al menos 5 000 RPM.



1. **⚠ ADVERTENCIA!** Retire la batería para evitar arrancar la herramienta.
2. Baje el cabezal de la sierra.
3. Eleve la guarda inferior y sosténgala arriba mientras eleva el cabezal de la sierra. Suelte la guarda inferior. La guarda inferior permanecerá arriba en la posición **ABIERTA** para cambiar la hoja. **⚠ ADVERTENCIA!** Tenga cuidado de no bajar el cabezal de la guarda mientras cambia la hoja; la guarda inferior caerá de nuevo en su lugar para cubrir la hoja y podría pellizcar sus manos y dedos.
4. Presione el seguro del husillo y gire el husillo/hoja hasta que se enganche el seguro.
5. Use la llave para aflojar y quitar el perno de la hoja roscada de mano izquierda (hacia la derecha).
6. Quite la brida de la hoja exterior y la hoja. Limpie con un paño las bridas y el husillo para eliminar el polvo y la basura. Revise que las piezas no estén dañadas. Reemplace si es necesario.
7. Alinee la dirección de la flecha en la hoja con la dirección de la flecha en la guarda inferior. Deslice la hoja sobre el husillo.

8. Instale la brida de la hoja exterior. El lado plano de la brida debe descansar sobre la hoja.
9. Presione el seguro del husillo y gire la hoja hasta que se enganche el seguro. Inserte y apriete firmemente el perno de la hoja (hacia la izquierda) con la llave.
10. Mueva las manos fuera del área de la guarda y baje el cabezal de la sierra. La guarda inferior caerá de nuevo en su lugar; verifique que se mueva libremente.
11. Revise el espacio libre entre la hoja, la placa de corte y el tope guía. Siempre use la placa de corte. Las placas de corte reducen el desgaste y astillamiento a lo largo del corte, al proveer soporte en el borde.

⚠ ADVERTENCIA Recargue únicamente con el cargador especificado para la batería. Para instrucciones específicas de carga, lea el manual del operador suministrado con su cargador y su batería.

Extracción/inserción de la batería

Para **extraer** la batería, presione los botones de liberación y jale la batería para sacarla de la herramienta.

⚠ ADVERTENCIA Bloquee siempre el gatillo o retire la batería cada vez que la herramienta no esté en uso.

Para **insertar** la batería, deslícela dentro del cuerpo de la herramienta. Asegúrese de que encaje firmemente.

⚠ ADVERTENCIA Utilice únicamente accesorios específicamente recomendados para esta herramienta. Puede ser peligroso utilizar otros.

ONE-KEY™

Para obtener más información acerca de la funcionalidad de ONE-KEY™ para esta herramienta, visite milwaukeetool.com/One-Key. Para descargar la aplicación ONE-KEY™, visite la App Store® o Google Play™ desde su dispositivo inteligente.

Indicador ONE-KEY™	
Azul fijo	El modo inalámbrico está activo y listo para configurar a través de la aplicación ONE-KEY™.
Azul intermitente	La herramienta tiene una comunicación activa con la aplicación ONE-KEY™.
Rojo intermitente	La herramienta tiene activo el bloqueo de seguridad y sólo podrá desbloquearla el dueño a través de la aplicación ONE-KEY™.

AJUSTES

⚠ ADVERTENCIA Siempre extraiga la batería antes de cambiar accesorios o hacer ajustes. No anule las guardas.

Zona libre de manos

⚠ ADVERTENCIA Mantenga las manos fuera de la zona libre de manos en todo momento durante el uso de la sierra. El contacto con la hoja causará lesiones graves.

Si su mano se coloca demasiado cerca de la hoja de la sierra, habrá un mayor riesgo de lesión por contacto con la hoja. Use los indicadores de la zona libre de manos para asegurarse de que las manos se mantienen a una distancia segura de la hoja.



Indicadores de la zona libre de manos:

- Círculo de zona libre de manos (ranura alrededor de la mesa giratoria)
 - Manijas del tope guía (ranuras en la parte superior de los topes guía)
 - Topes de manos (se utilizan cuando se quita el tope guía)
- Nunca cruce su mano sobre la línea pretendida de corte, ni al frente ni atrás de la hoja de la sierra. La proximidad de la hoja de sierra giratoria a su mano puede no ser obvia y puede causar lesiones graves. El cabezal de la sierra puede deslizarse/moverse, poniendo en riesgo su seguridad. Siempre espere a que la hoja se detenga completamente antes de elevar el cabezal, para mover la pieza de trabajo o cambiar los ajustes.

Seleccione la pieza de trabajo con atención

Tenga cuidado con las piezas de trabajo deformadas, húmedas, nudosas o inclinadas. Es probable que estos materiales creen condiciones de pellizcos. Las piezas de trabajo que se doblan y pellizcan pueden resultar en un contragolpe. Antes de realizar un corte revise que la pieza no tenga clavos y quítelos en caso de haberlos. Siempre mantenga las hojas limpias y afiladas, de lo contrario la hoja producirá un corte angosto y es probable que sea pellizcado por la pieza de trabajo. No se recomienda esta herramienta para cortar metales ferrosos tales como hierro y acero. Vea la sección Aplicaciones para una lista más completa de materiales que pueden cortarse.

Apoyo adecuado de la pieza de trabajo

Siempre apoye la pieza de trabajo durante la operación. De lo contrario, la pieza de trabajo puede levantarse y ser jalada hacia adentro de la sierra. **¡ADVERTENCIA!** Use las prensas para apoyar la pieza de trabajo cada vez que sea posible para mantener las manos lejos de la hoja. No use esta sierra para cortar piezas que se sostienen con las manos o que son demasiado pequeñas para sujetarse firmemente con prensas.

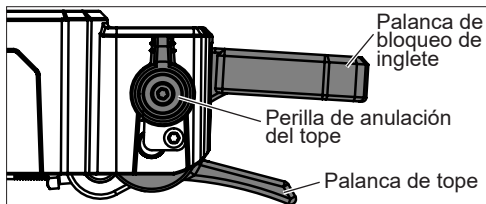
1. *Uso del tope guía:* Sostenga la pieza de trabajo al ras contra el tope guía para proporcionar una ruta recta a la hoja de la sierra. Esto ayudará a eliminar la tendencia de que se amarren los dientes de la hoja. El tope guía puede usarse como apoyo para los cortes de inglete, bisel y compuestos. **¡ADVERTENCIA!** Mantenga las manos fuera de la zona libre de manos en todo momento durante el uso de la sierra. Use las manijas del tope guía para asegurarse de que sus manos no ingresen a la zona libre de manos.
2. *Use la prensa de la pieza de trabajo:* Sujete la pieza de trabajo a la mesa usando la prensa suministrada. La prensa puede moverse a cualquiera de los dos lados de la mesa.
 - a. Inserte la barra de la prensa en cualquiera de los casquillos de la prensa que están detrás de los topes guía.
 - b. Gire la barra de la prensa hasta que se asiente completamente en el casquillo.
 - c. Gire la prensa a fin de que el tornillo esté arriba de la mesa.
 - d. Apriete el tornillo de la prensa para sujetar la pieza de trabajo a la mesa.
3. *Use una prensa G:* Sujete la pieza de trabajo al tope guía con una prensa G.

Apoyo de las piezas de trabajo más largas

Las piezas de trabajo más largas necesitan apoyo en toda su longitud completa. Si está usando la sierra en un banco de trabajo nivelado, levante la pieza de trabajo a una altura de altura de 76,2 mm (3") ((2) 50,8 mm (2") x 101,6 mm (4") apilado plano) desde la parte inferior de las patas de la sierra. También existen muchas mesas de trabajo de mercado secundario diseñadas específicamente para sierras de inglete que proporcionan soportes para todos los tipos de piezas de trabajo.

Ajuste del ángulo de inglete

El ángulo de inglete puede ajustarse usando los topes para los ángulos comúnmente cortados (0°, 15°, 22,5°, 31,6°, and 45°), así como también para ajustarse con precisión a cualquier ángulo para compensar una situación a la medida.

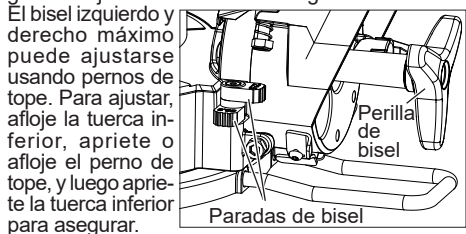


1. **¡ADVERTENCIA!** Retire la batería para evitar arrancar la herramienta.
2. Levante la palanca de bloqueo de inglete para soltar la mesa giratoria.
3. Levante la palanca de tope y gire la mesa giratoria al ángulo de tope más cercano al ángulo deseado.
4. Para realizar un ajuste fino en el ángulo de inglete:
 - a. Levante la palanca de tope.
 - b. Gire la perilla de anulación del tope hacia adelante.
 - c. Gire la mesa giratoria al ángulo exacto.
5. Presione la palanca de bloqueo de inglete hacia abajo para bloquear el ajuste en su lugar y evitar que se mueva durante el uso.

Ajuste del ángulo de bisel

El bisel puede ajustarse en cualquier ángulo desde 0° hasta 48°, izquierdo o derecho.

1. **¡ADVERTENCIA!** Retire la batería para evitar arrancar la herramienta.
2. Afloje la perilla del bisel.
3. Inclíne la cabeza de la sierra al ángulo deseado. **NOTA:** para sobrepasar el tope de 0°, sostenga la cabeza de la sierra hacia la izquierda de 0°, luego jale el pasador de tope de 0° e incline la cabeza de la sierra al ángulo deseado.
4. Apriete con firmeza la perilla del bisel para asegurar el ajuste del bisel en su lugar.



Ajuste de los topes guía

Cada vez que se cambian los ajustes de ángulo de bisel o inglete, asegúrese de que los topes guía se ajusten correctamente.

Los topes guía **DEBEN:**

- Apoyar la pieza de trabajo
- No interferir con la hoja o la guarda izquierda
- Estar ajustados para mantener las manos alejadas de la zona libre de manos

Para ajustar los topes guía

1. ¡**ADVERTENCIA!** Retire la batería para evitar arrancar la herramienta.
2. Afloje las perillas de bloqueo de topes guía.
3. Deslice los topes guía de lado a lado a la posición deseada para permitir un corte de inglete compuesto o de bisel. Coloque los topes guía correctamente para el máximo apoyo de trabajo al tiempo que mantiene la seguridad de las manos. ¡**ADVERTENCIA!** Asegúrese de que las manijas de los topes guía se coloquen para mantener las manos fuera de la zona libre de manos.
4. Apriete las perillas de bloqueo de tope guía firmemente antes de realizar un corte.
NOTA: Si el tope guía tiene cualquier movimiento hacia adelante o atrás, apriete el tornillo de fijación del tope guía que se encuentra en la parte posterior de cada ranura del tope guía.
5. Con la sierra apagada y la pieza de trabajo retirada de la mesa, baje lentamente el cabezal de la sierra completamente para asegurar que la guarda y la hoja no tienen contacto con los topes guía al realizar cortes de bisel o inglete.

Guardas

La guarda inferior debe cubrir la hoja cuando el cabezal de la sierra esté arriba y debe moverse libremente y abrirse automáticamente a medida que el cabezal de la sierra se baja sobre la pieza de trabajo. ¡**ADVERTENCIA!** Nunca deshabilite ni retire las guardas protectoras. Solo empuje la guarda inferior a la posición ABIERTA cuando cambie las hojas.

Si la guarda inferior parece estar floja, se pega o no cubre la hoja cuando el cabezal de la sierra está arriba, lleve la sierra a un centro de servicio autorizado para repararla. Asegúrese de que los topes guías se ajusten correctamente para permitir el movimiento libre de las guardas durante el movimiento completo del corte.

Ajuste para cortes tronzados

Los rieles pueden bloquearse y el cabezal de la sierra ajustarse en la posición correcta para usar la sierra para realizar cortes tronzados (cortes que no requieren el uso de los rieles).

1. Para **bloquear**, jale la cabeza hacia adelante y apriete el seguro del riel de deslizamiento.
2. Para **desbloquear**, jale la cabeza hacia adelante y afloje el seguro del riel de deslizamiento.

OPERACION

▲**ADVERTENCIA** Con el fin de minimizar el riesgo de lesiones, siempre utilice la protección de ojos adecuada indicada para cumplir con lo dispuesto en la norma ANSI Z87.1.

Mantenga las manos y el cuerpo fuera de la trayectoria de la hoja de la sierra. El contacto con la hoja causará lesiones graves. Revise el sistema de protección para asegurarse de que esté funcionando correctamente. No utilice la sierra sin las guardas protectoras en su lugar. No realice ninguna operación a manos libres. Nunca intente alcanzar objetos al otro lado de la hoja de la sierra. Apague la herramienta y espere a que la hoja de la sierra se detenga antes de mover la pieza de trabajo o cambiar la configuración. Apriete todos los ajustes antes de utilizar.

Al momento de realizar trabajos en situaciones donde haya presencia de polvo, utilice la protección respiratoria adecuada o utilice una solución de extracción de polvo que cumpla con los requisitos de la OSHA.

Indicador de la línea de corte

El indicador de la línea de corte brilla sobre la hoja, proyectando una sombra donde la hoja tocará la pieza de trabajo. No es necesario realizar calibraciones/ajustes puesto que la sombra siempre estará centrada en la ubicación de la hoja.

Use el interruptor del indicador de la línea de corte para encender la lámpara antes de realizar un corte. La lámpara se apagará automáticamente alrededor de 9 segundos después de usarla.

▲**ADVERTENCIA** Para reducir el riesgo de lesiones, no dependa del freno como una función de seguridad. Siempre espere a que la hoja se detenga por completo antes de permitir que se acerque cualquier objeto cerca de la hoja.

Para reducir el riesgo de lesión, asegúrese de que todos los ajustes se bloqueen firmemente antes de realizar un corte.

Para iniciar y detener la herramienta

Siempre sostenga el mango del gatillo firmemente debido a que la acción de inicio y paro del motor puede provocar que el mango se mueva ligeramente hacia arriba o abajo. ¡**ADVERTENCIA!** Siempre presione la palanca de bloqueo de inglete hacia abajo y apriete todos los ajustes antes de usar. ¡**ADVERTENCIA!** Asegúrese de que sus manos estén fuera de la zona libre de manos.

1. Para **arrancar** el motor, empuje el seguro del gatillo hacia abajo y jale el gatillo
2. Para **detener** el motor, suelte el gatillo. El freno eléctrico detendrá la hoja en aproximadamente 4 segundos. ¡**ADVERTENCIA!** El freno no es un sustituto de las guardas y podría fallar; siempre espere a que la hoja se detenga completamente antes de quitar la hoja de la pieza de trabajo. Si el freno no detiene la hoja o falla con frecuencia, devuelva la herramienta a un centro de servicio MILWAUKEE para reparación.

Realizar un corte tronzado

Corte las piezas de trabajo con cortes tronzados cada vez que sea posible. Únicamente use cortes deslizantes (cortes cruzados) cuando sea necesario.

1. Use el seguro de tronzado para ajustar la sierra en la posición de tronzado.
2. Seleccione los ángulos deseados y ajuste los topes guía para asegurarse de que las manijas de los topes guía estén colocadas a fin de mantener las manos fuera de la zona libre de manos.
3. Coloque la pieza de trabajo sobre la mesa giratoria y alinee el corte.
4. Inserte la batería.
5. Apoye la pieza de trabajo usando cualquiera de los métodos descritos en "Apoyo adecuado de la pieza de trabajo".
6. ¡**ADVERTENCIA!** Mantenga las manos fuera de la zona libre de manos en todo momento durante el uso de la sierra. El contacto con la hoja causará lesiones graves.
7. Arranque el motor. Espere unos segundos a que la hoja alcance la velocidad total. Luego baje suavemente el cabezal de la sierra sobre la pieza de trabajo hasta realizar el corte completo.

⚠️ ADVERTENCIA No corte piedra, ladrillo, concreto o materiales ferrosos (hierro, acero, acero inoxidable ni aleaciones de estos materiales) con esta sierra.

No use discos abrasivos con esta sierra.

El polvo creado al cortar estos materiales y/o usar discos de corte abrasivos puede atorar la guarda de la hoja y posiblemente ocasionar lesiones personales.

Materiales y aplicaciones recomendadas

Los siguientes materiales pueden cortarse con la sierra de inglete deslizante compuesta. Existen muchos tipos de hojas de sierra disponibles. Siempre use la hoja adecuada para el material y la aplicación en particular. Use únicamente *hojas para sierra de inglete deslizante de 184 mm (7-1/4")* con una clasificación de al menos 5 000 RPM.

- **Madera:** madera sólida, madera contrachapada, tablero de partículas, MDF (tablero de fibra de densidad media), HDF (tablero de fibra de alta densidad), tablero de partículas laminado de melamina, laminados de formica, tablero duro (masonite).
- **Plásticos:** PVC, CPVC, ABS, materiales de superficie sólida (tales como Corian®) y otros materiales de plástico. Al cortar plástico, evite sobrecalentar la hoja y los dientes de la hoja para evitar derretir la pieza de trabajo.
- **Metales no ferrosos:** aluminio, bronce, cobre y otros materiales no ferrosos.

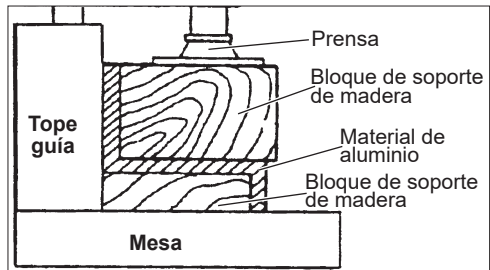
Corte de materiales no cuadrados

Corte de materiales redondos (cilíndricos)

Los bloques en forma de "V" pueden usarse para apoyar materiales redondos como varillas de armarios y tubos de plástico.

Marco de ventana de aluminio y otros Tipo de canal y materiales

El material de un marco de ventana de aluminio puede apoyarse con bloques para evitar que se deforme mientras se corta.

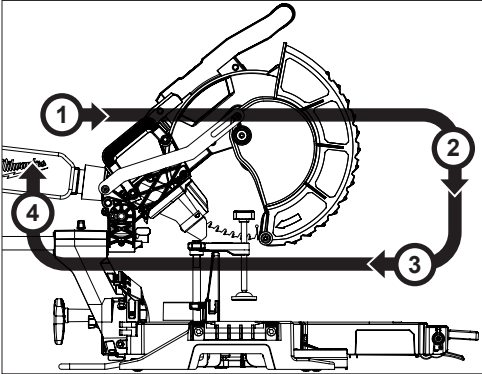


¡ADVERTENCIA! No permita que la hoja tenga contacto con la pieza de trabajo hasta que la herramienta alcance la velocidad total.

8. Sierra deje que la sierra haga el trabajo. Forzar la herramienta puede atascar o sobrecalentar el motor.
9. Después de terminar el corte, suelte el gatillo y espere a que la hoja se detenga por completo. Eleve el cabezal de la sierra y quite la pieza de trabajo. **¡ADVERTENCIA!** Si se atoran piezas cortadas pequeñas en el área de la guarda, quite la batería antes de retirarlas.

Realizar un corte deslizante (corte cruzado)

Las piezas de trabajo más anchas pueden cortarse usando el mecanismo de deslizamiento. Siempre use el tronzado cuando sea posible



1. Asegúrese de que el seguro de tronzado esté desbloqueado, el seguro de transporte de los rieles correderos esté suelto y el cabezal de la sierra se mueva libremente de atrás hacia adelante.
2. Seleccione los ángulos deseados y ajuste los topes guía para asegurarse de que las manijas de los topes guía estén colocadas a fin de mantener las manos fuera de la zona libre de manos.
3. Coloque la pieza de trabajo sobre la mesa giratoria y alinee el corte.
4. Inserte la batería.
5. Apoye la pieza de trabajo usando cualquiera de los métodos descritos en "Apoyo adecuado de la pieza de trabajo".
6. **¡ADVERTENCIA!** Mantenga las manos fuera de la zona libre de manos en todo momento durante el uso de la sierra. El contacto con la hoja causará lesiones graves.
7. Eleve el cabezal de la sierra y retírela **POR ENCIMA** de la pieza de trabajo **SIN** cortar.
8. Arranque el motor. Espere unos segundos a que la hoja alcance la velocidad total. **¡ADVERTENCIA!** No permita que la hoja tenga contacto con la pieza de trabajo hasta que la herramienta alcance la velocidad total.
9. Presione el cabezal de la sierra hacia abajo.
10. Empuje la sierra por el corte. **¡ADVERTENCIA!** Devuelva el cabezal de la sierra a la posición trasera por completo después de cada operación de corte cruzado.
11. Después de terminar el corte, suelte el gatillo y espere a que la hoja se detenga por completo. Eleve el cabezal de la sierra y quite la pieza de trabajo. **¡ADVERTENCIA!** Si se atoran piezas cortadas pequeñas en el área de la guarda, quite la batería antes de retirarlas.

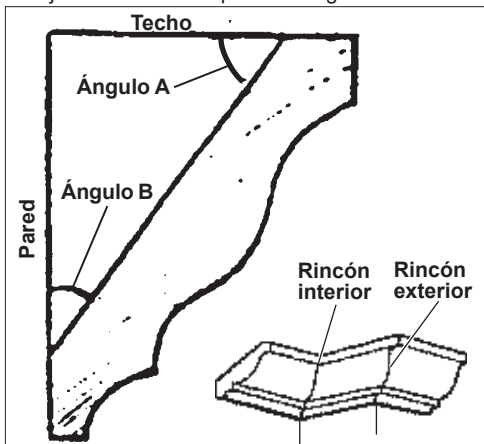
Rango de inglete	Topes de inglete
0° a 55° izquierda 0° a 60° derecha	0°; 15°; 22,5°; 31,62°; 45°; 55° izquierda 0°; 15°; 22,5°; 31,62°; 45°; 60° derecha
Rango de bisel	Topes de bisel
0° a 48° izquierda 0° a 48° derecha	0°; 48° izquierda 0°; 48° derecha
Capacidad de molduras de base	Capacidad de corona anidada
171,45 mm (6-3/4") a 0° y a 45° izquierda y la derecha	190,5 mm (7-1/2")

Dos métodos para cortar molduras de corona

Los ángulos creados en una pieza de moldura de corona que se ajusta plana contra el techo y la pared, cuando se suman son iguales a 90° ($A + B = 90^\circ$). Los ángulos de molduras de corona más comunes son: **52°/38°**: Un ángulo de 52° contra el techo (A) y un ángulo de 38° contra la pared (B). La sierra de inglete tiene ajustes de inglete especiales a 31,6° izquierda y derecha y un ajuste de bisel de 33,9° para usar al cortar molduras de corona de 52°/38° planas en la mesa de la sierra de inglete. Estos ajustes se identifican con una marca de diamante.

45°/45°: Un ángulo de 45° contra el techo (A) y un ángulo de 45° contra la pared (B). La sierra de inglete tiene ajustes de inglete especiales a 35,3° izquierda y derecha y un ajuste de bisel de 30° para usar al cortar coronas de 45°/45° planas en la mesa de la sierra de inglete. Estos ajustes se identifican con un círculo negro.

NOTA: Aunque todos estos ángulos son estándar, las habitaciones en muy pocas ocasiones se construyen de modo que los rincones miden exactamente 90°. Necesitará "afinar" estas configuraciones y hacer los ajustes necesarios para los ángulos del corte.



Corte de moldura de corona plana sobre la mesa de la sierra de inglete

La ventaja de cortar la moldura de corona plana sobre la mesa es que es más fácil sujetar la moldura en la posición de corte correcta. También las piezas más largas de la moldura de corona pueden cortarse colocadas planas sobre la mesa de la sierra de inglete.

1. Ajuste los ángulos de bisel e inglete usando la tabla de ángulos de inglete para molduras de corona. Apriete la palanca de bloqueo de inglete y la palanca de ajuste de bisel.

2. Use la siguiente sección de Posicionamiento para colocar correctamente la moldura.

NOTA: Siempre realice un corte de prueba en material de desecho para confirmar que todos los ángulos sean correctos.

3. Realice el corte de acuerdo con "Realizar un corte tronzado".

Cortar una moldura de corona angulada contra el tope guía (anidada - en posición)

Siempre use un tope guía (Cat.No. 43-98-0295) para moldura de corona al cortar la moldura de corona angulada contra el tope guía. Al cortar la moldura de corona angulada contra el tope guía no se requiere ajustar el bisel. Los cambios pequeños en el ángulo de inglete pueden realizarse sin afectar el ángulo de bisel. Cuando use este método, la sierra puede ajustarse rápida y fácilmente para los rincones que no miden 90° (cuadrados).

Posicionamiento

Moldura de corona estándar (EE.UU.) con ángulos de 52° y 38° (ajuste el ángulo de bisel en 33,85°)

Lado izquierdo, rincón interno

- Borde superior de la moldura contra el tope guía
- Mesa de inglete ajustada a la derecha 31,62°
- Guarde el extremo izquierdo del corte

Lado derecho, rincón interno

- Borde inferior de la moldura contra el tope guía
- Mesa de inglete ajustada a la izquierda 31,62°
- Guarde el extremo izquierdo del corte

Lado izquierdo, rincón externo

- Borde inferior de la moldura contra el tope guía
- Mesa de inglete ajustada a la izquierda 31,62°
- Guarde el extremo derecho del corte

Lado derecho, rincón externo

- Borde superior de la moldura contra el tope guía
- Mesa de inglete ajustada a la derecha 31,62°
- Guarde el extremo derecho del corte

Moldura de corona estándar (EE.UU.) con ángulos de 45° (ajuste el ángulo de bisel en 0°)

Lado izquierdo, rincón interno

- Borde superior de la moldura contra el tope guía
- Mesa de inglete ajustada a la derecha 45°
- Guarde el extremo izquierdo del corte

Lado derecho, rincón interno

- Borde inferior de la moldura contra el tope guía
- Mesa de inglete ajustada a la izquierda 45°
- Guarde el extremo izquierdo del corte

Lado izquierdo, rincón externo

- Borde inferior de la moldura contra el tope guía
- Mesa de inglete ajustada a la izquierda 45°
- Guarde el extremo derecho del corte

Lado derecho, rincón externo

- Borde superior de la moldura contra el tope guía
- Mesa de inglete ajustada a la derecha 45°
- Guarde el extremo derecho del corte

MANTENIMIENTO

⚠ ADVERTENCIA Para reducir el riesgo de una lesión, desconecte siempre la herramienta antes de darle cualquier mantenimiento. Nunca desarme la batería, el cargador o la herramienta, salvo que así lo indiquen estas instrucciones. Comuníquese con un centro de servicio de MILWAUKEE para todas las demás reparaciones.

Mantenimiento de las herramientas

Adopte un programa regular de mantenimiento y mantenga su herramienta en buenas condiciones. Inspeccione la herramienta para problemas como ruidos indebidos, desalineadas o agarradas de partes móviles, piezas rotas o cualquier otra condición que pueda afectar el funcionamiento de la herramienta. Envíe su herramienta al Centro de Servicio MILWAUKEE para reparación. Después de 6 meses a un año, dependiendo del uso dado, envíe su herramienta al Centro de Servicio MILWAUKEE más cercano para la inspección.

Si la herramienta no arranca u opera a toda su potencia con una batería completamente cargada, limpie, con una goma o borrador, los contactos de la batería y de la herramienta. Si aun así la herramienta no trabaja correctamente, regrésela, con el cargador y la batería, a un centro de servicio MILWAUKEE.

Ajuste de la sierra de inglete

Esta sierra de inglete está completamente ajustada de fábrica. Si no es exacta debido al envío y manejo, siga estos pasos para ajustar correctamente la sierra. Después de que la sierra se ajuste correctamente, debe permanecer así bajo condiciones normales de transporte y sitio de trabajo.

Cuadrando la hoja (90°) al tope guía (0° inglete)

1. **⚠ ADVERTENCIA!** Retire la batería para evitar arrancar la herramienta.
2. Coloque una escuadra contra el tope guía y la hoja, y asegúrese de que la escuadra no toque los dientes de la hoja pues esto ocasionará una medición incorrecta.
3. Afloje la palanca de bloqueo de inglete y mueva la sierra a la posición de inglete 0°. No apriete la palanca de bloqueo.
4. Si la hoja de la sierra no está exactamente perpendicular al tope guía, use la llave suministrada para aflojar los tornillos que sujetan la escala de inglete a la mesa. Mueva la escala a la izquierda o derecha hasta que la hoja esté perpendicular al tope guía. Use la escuadra para comprobar que la hoja esté perpendicular al tope guía. Vuelva a apretar los tornillos.
5. Afloje el tornillo de ajuste del indicador de inglete y vuelva a posicionar el indicador a fin de que indique exactamente cero. Después de que el indicador se posicione correctamente, vuelva a apretar el tornillo de ajuste del indicador de inglete.

Cuadrando la hoja (90°) a la mesa (bisel 0°)

1. **⚠ ADVERTENCIA!** Retire la batería para evitar arrancar la herramienta.
2. Extraiga los 6 tornillos que sujetan el conducto de polvo.
3. Mueva la palanca de ajuste de bisel a la posición media y coloque una herramienta como cuña (destornillador, etc.) para que la empuñadura se mantenga en la posición media. Mueva el cabezal de la sierra a fin de que el mecanismo de tope del bisel se bloquee en el tope de bisel 0°.

4. Coloque una escuadra contra la mesa y la hoja para asegurarse de que la escuadra no toque los dientes de la hoja pues esto ocasionará una medición incorrecta.
5. Afloje 2 tornillos (T25) en la parte delantera del brazo del bisel, estos tornillos se usan para ajustar el cuerpo del tope.
6. Con una llave T25 puede ajustar el ajuste de bisel de la hoja a la mesa. Girar hacia la derecha inclina la hoja hacia la derecha, y hacia la izquierda inclina la hoja hacia la izquierda.
7. Cuando ajuste la hoja al bisel 0°, apriete los 2 tornillos a un torque de 95 a 105 pulgadas-libras.
8. Quite la herramienta que uso para acuñar la palanca de ajuste del bisel.
9. Mueva la palanca de ajuste de bisel a "bloqueado".
10. Vuelva a armar los lados del conducto de polvo, apretando firmemente los 6 tornillos.
11. De ser necesario, afloje los tornillos de ajuste del indicador de bisel izquierdo y derecho, y vuelva a posicionar los indicadores a fin de que indiquen exactamente cero. Después de que los indicadores se posicionen correctamente, vuelva a apretar el tornillo de ajuste del indicador de bisel.

ONE-KEY™

⚠ ADVERTENCIA Riesgo de quemadura química.

Este dispositivo contiene una batería de botón/tipo moneda de litio. Una batería nueva o usada puede causar quemaduras internas graves y causar la muerte tan solo en 2 horas si se ingiere o entra al cuerpo. Siempre asegure la cubierta de la batería. Si no se cierra con firmeza, deje de usar el dispositivo, retire las baterías y manténgala alejada de los niños. Si cree que las baterías pudieron ser ingeridas o entraron al cuerpo, busque atención médica de inmediato.



Batería interna tipo moneda

Se usa una batería interna tipo moneda para facilitar la funcionalidad completa de ONE-KEY™. Para cambiar la batería tipo moneda:

1. **⚠ ADVERTENCIA!** Retire la batería de la herramienta para evitar arrancar la herramienta.
2. Retire los tornillos y abra la puerta del compartimiento de la batería tipo moneda.
3. Retire la batería tipo moneda anterior, manténgala fuera del alcance de los niños y deshágase de ella de la manera correcta.
4. Inserte la nueva batería tipo moneda (3V CR2032), con el lado positivo hacia arriba.
5. Cierre la tapa de la batería y apriete el tornillo (s) con firmeza.

⚠ ADVERTENCIA Para reducir el riesgo de lesiones, descarga eléctrica o daño a la herramienta, nunca la sumerja en líquidos ni permita que estos fluyan dentro de la misma.

Limpieza

Limpie el polvo y suciedad de las cualquier ventilas. Mantenga los herramienta, limpios, secos y libres de aceite o grasa. Use solo jabón neutro y un trapo húmedo para limpiar, ya que algunos substancias y solventes limpiadores son dañinos a los plásticos y partes aislantes. Algunos de estos incluyen: gasolina, turpentina, thinner, lacas, thinner para pinturas, solventes para limpieza con cloro, amoníaco y detergentes caseros que tengan amonía. Nunca usa solventes inflamables o combustibles cerca de una herramienta.

Reparaciones

Si su herramienta, batería o cargador están dañados, envíela al centro de servicio autorizado más cercano.

ACCESORIOS

⚠ ADVERTENCIA Utilice sólo los accesorios específicamente recomendados. Otros accesorios puede ser peligroso.

Para una lista completa de accesorios, visite nuestro sitio en Internet: www.milwaukeetool.com o póngase en contacto con un distribuidor.

COMUNICACIÓN INALÁMBRICA

Para productos que cuentan con funciones de comunicación inalámbrica, incluida ONE-KEY™:

De conformidad con la parte 15.21 del Reglamento de FCC, no modifique este producto. La modificación podría ocasionar que se anule su autorización para operar el producto. Este dispositivo cumple con lo dispuesto en la parte 15 del Reglamento de la FCC así como las normas RSS de exención de licencia de ISED-Canada. La operación está sujeta a las siguientes dos condiciones: 1) Este dispositivo no debe ocasionar interferencia nociva y 2) este dispositivo debe aceptar cualquier interferencia que se reciba, incluyendo la interferencia que pueda ocasionar operación no deseada.

SOPORTE DE SERVICIO - MEXICO

CENTRO DE ATENCIÓN A CLIENTES

Techtronic Industries Mexico, S.A. de C.V.

Av. Presidente Masarik 29 Piso 7

11560 Polanco V Seccion

Miguel Hidalgo, Distrito Federal, México

01 (800) 030-7777 o (55) 4160-3540

Lunes a Viernes (9am a 6pm)

O contáctanos en www.milwaukeetool.com.mx

GARANTÍA LIMITADA - E.U.A. Y CANADA

Esta herramienta eléctrica de MILWAUKEE® está garantizada, ante el comprador original únicamente, por parte de un distribuidor autorizado MILWAUKEE, de que no tenga material y mano de obra defectuosos. Sujeto a ciertas excepciones, MILWAUKEE reparará o sustituirá cualquier pieza de esta herramienta eléctrica que tenga defectos de material o mano de obra según lo determine MILWAUKEE mediante una revisión, por un periodo de cinco (5) años después de la fecha de compra a menos que se indique lo contrario. Al devolver la herramienta eléctrica a un centro de servicio de fábrica de MILWAUKEE o a una estación de servicio autorizada de MILWAUKEE, es necesario que la devolución se haga con flete pagado por adelantado y asegurado. Se debe incluir una copia del comprobante de compra con el producto devuelto. Esta garantía no aplica a daños que MILWAUKEE determine que son ocasionados por reparaciones o intentos de reparaciones realizados por una persona que no sea personal autorizado de MILWAUKEE, uso indebido, alteraciones, maltrato, desgaste normal, falta de mantenimiento o accidentes.

Desgaste normal: Muchas herramientas eléctricas necesitan cambios de piezas y mantenimiento periódicos para alcanzar su máximo rendimiento. Esta garantía no cubre la reparación cuando el uso normal ha agotado la vida útil de una pieza, incluyendo, entre otros, mandriles, cepillos, cables, zapatas de la sierra, abrazaderas de la hoja, juntas tóricas, sellos, protectores, hojas de accionamiento, pistones, herrajes, levantaes y arandelas de cubierta de los protectores.

*La presente garantía no cubre ni las baterías ni todas las herramientas eléctricas. Consulte las distintas garantías independientes que están disponibles para estos productos.

La vigencia de la garantía de la luz LED en la lámpara LED de trabajo (49-24-0171) y el foco mejorado de LED (49-81-0090) es la misma que la vida útil del producto sujeto a las limitaciones anteriores. Si la luz LED o el foco mejorado LED presentan fallas durante su uso normal, se cambiará la pieza sin costo.

No es necesario realizar el registro de la garantía para recibir la garantía correspondiente a un producto de herramienta eléctrica de MILWAUKEE. La fecha de fabricación del producto servirá para determinar la vigencia de la garantía en caso de que no presente ningún comprobante de compra al solicitar el servicio en garantía.

LA ACEPTACIÓN DE LOS RESARCIMIENTOS EXCLUSIVOS DE REPARACIÓN Y SUSTITUCIÓN AQUÍ DESCRITOS ES UNA CONDICIÓN DEL CONTRATO EN CUANTO A LA COMPRA DE TODO PRODUCTO DE MILWAUKEE. SI USTED NO ACEPTA ESTA CONDICIÓN, NO DEBE COMPRAR EL PRODUCTO. MILWAUKEE NO SERÁ RESPONSABLE EN NINGUN CASO DE DAÑOS INCIDENTALES, ESPECIALES, EMERGENTES O PUNITIVOS NI DE NINGÚN COSTO, HONORARIOS DE ABOGADOS, GASTOS, PÉRDIDAS O DEMORAS QUE SUPUESTAMENTE SEAN CONSECUENCIA DE ALGUN DAÑO, FALLA O DEFECTO DE ALGUNO DE LOS PRODUCTOS, INCLUYENDO, ENTRE OTROS, RECLAMACIONES POR PÉRDIDA DE UTILIDADES. ALGUNOS ESTADOS NO PERMITEN LA EXCLUSIÓN O LIMITACIÓN DE RESPONSABILIDAD POR DAÑOS INCIDENTALES O EMERGENTES, POR LO QUE LA ANTERIOR LIMITACIÓN O EXCLUSIÓN PODRÍA NO APLICARSE EN SU CASO. ESTA GARANTÍA ES EXCLUSIVA Y SUSTITUYE TODAS LAS DEMÁS GARANTÍAS EXPRESAS, SEAN ESTAS ESCRITAS U ORALES. HASTA DONDE PERMITA LA LEY, MILWAUKEE DESCONOCE CUALQUIER GARANTÍA IMPLÍCITA, INCLUYENDO, SIN LIMITACIÓN, CUALQUIER GARANTÍA IMPLÍCITA DE COMERCIABILIDAD O IDONEIDAD PARA UN FIN O USO ESPECÍFICO; HASTA EN QUE DICHO DESCONOCIMIENTO NO SEA PERMITIDO POR LA LEY, DICHAS GARANTÍAS IMPLÍCITAS SE LIMITAN A LA DURACIÓN DE LA GARANTÍA EXPRESA CORRESPONDIENTE SEGÚN LO ARRIBA DESCRITO. ALGUNOS ESTADOS NO PERMITEN LIMITACIONES EN LA VIGENCIA DE UNA GARANTÍA IMPLÍCITA, POR LO QUE LA ANTERIOR LIMITACIÓN PODRÍA NO APLICAR A USTED. ESTA GARANTÍA LE CONFIERE DERECHOS JURÍDICOS ESPECÍFICOS Y USTED PODRÍA, ADEMÁS, TENER OTROS DERECHOS QUE VARIAN SEGÚN EL ESTADO.

Esta garantía aplica únicamente a los productos vendidos en EE. UU. y Canadá.

Consulte la pestaña "Búsqueda de centro de servicio" en la sección de Partes y servicio del sitio web de MILWAUKEE en www.milwaukeetool.com o llame al 1.800.SAWDUST (1.800.729.3878) para localizar su centro de servicio más cercano para darle servicio, con y sin garantía, a una herramienta de MILWAUKEE.

PÓLIZA DE GARANTÍA - VALIDA SOLO PARA MEXICO, AMERICA CENTRAL Y EL CARIBE

La garantía de TECHTRONIC INDUSTRIES es por 5 años a partir de la fecha original de compra.

Esta tarjeta de garantía cubre cualquier defecto de material y mano de obra en ese Producto.

Para hacer válida esta garantía, presente esta tarjeta de garantía, cerrada/sellada por el distribuidor o la tienda donde compró el producto, al Centro de Servicio Autorizado (ASC). O, si esta tarjeta no se ha cerrado/sellado, presente la prueba original de compra a ASC. Llame 55 4160-3547 para encontrar el ASC más cercano, para servicio, partes, accesorios o componentes.

Procedimiento para hacer válida esta garantía

Lleve el producto a ASC, junto con la tarjeta de garantía cerrada/sellada por el distribuidor o la tienda donde compró el producto, y cualquier pieza o componente defectuoso se reemplazará sin costo para usted. Cubriremos todos los costos de flete con relación a este proceso de garantía.

Excepciones

Esta garantía no tendrá validez en las siguientes situaciones:

- Cuando el producto se use de manera distinta a la que indica el manual del usuario final o de instrucciones.
- Cuando las condiciones de uso no sean normales.
- Cuando otras personas no autorizadas por TECHTRONIC INDUSTRIES modifiquen o reparen el producto.

Nota: si el juego de cables está dañado, tiene que reemplazarse en un Centro de Servicio Autorizado para evitar riesgos eléctricos.

CENTRO DE SERVICIO Y ATENCIÓN

Llame al 55 4160-3547

IMPORTADO Y COMERCIALIZADO POR

TECHTRONIC INDUSTRIES, MÉXICO, S.A. DE C.V.

Miguel de Cervantes Saavedra No.301 Piso 5, Torre Norte

11520 Colonia Ampliación Granada

Miguel Hidalgo, Ciudad de México, México

Modelo: _____

Fecha de Compra: _____

Sello del Distribuidor: _____

Crown Molding Miter Angles
Angles d'onglet pour une corniche
Ángulos de inglete de la moldura de vértice

(B) Wall Angle Angle de la paroi Ángulo de la pared	36° / 52° Miter/Bevel Angles d'onglet et de biseau Inglete/bisel	45°/45° Miter/Bevel Angles d'onglet et de biseau Inglete/bisel
67	42.93/41.08	46.89/36.13
68	42.39/40.79	46.35/35.89
69	41.85/40.50	45.81/35.64
70	41.32/40.20	45.28/35.40
71	40.79/39.90	44.75/35.15
72	40.28/39.61	44.22/34.89
73	39.76/39.30	43.70/34.64
74	39.25/39.00	43.18/34.38
75	38.74/38.69	42.66/34.12
76	38.24/38.39	42.15/33.86
77	37.74/38.08	41.64/33.60
78	37.24/37.76	41.13/33.33
79	36.75/37.45	40.62/33.07
80	36.27/37.13	40.12/32.80
81	35.79/36.81	39.62/32.53
82	35.31/36.49	39.13/32.25
83	34.83/36.17	38.63/31.98
84	34.36/35.85	38.14/31.70
85	33.90/35.52	37.66/31.42
86	33.43/35.19	37.17/31.14
87	32.97/34.86	36.69/30.86
88	32.52/34.53	36.21/30.57
89	32.07/34.20	35.74/30.29
90	31.62/33.86	35.26/30.00
91	31.17/33.53	34.79/29.71
92	30.73/33.19	34.33/29.42
93	30.30/32.85	33.86/29.13
94	29.86/32.51	33.40/28.83
95	29.43/32.17	32.94/28.54
96	29.00/31.82	32.48/28.24
97	28.58/31.48	32.02/27.94
98	28.16/31.13	31.58/27.64
99	27.74/30.78	31.13/27.34
100	27.32/30.43	30.68/27.03
101	26.91/30.08	30.24/26.73
102	26.50/29.73	29.80/26.42
103	26.09/29.38	29.36/26.12
104	25.69/29.02	28.92/25.81
105	25.29/28.67	28.48/25.50
106	24.78/28.31	28.05/25.19
107	24.49/27.95	27.62/24.87
108	24.10/27.59	27.19/24.56
109	23.71/27.23	26.77/24.24
110	23.32/26.87	26.34/23.93
111	22.93/26.51	25.92/23.61
112	22.55/26.15	25.50/23.29
113	22.17/25.78	25.08/22.97
114	21.79/25.42	24.66/22.65
115	21.42/25.05	24.25/22.33
116	21.04/24.68	23.84/22.01
117	20.67/24.31	23.43/21.68
118	20.30/23.94	23.02/21.36
119	19.93/23.57	22.61/21.03
120	19.57/23.20	22.21/20.70
121	19.20/22.83	21.80/20.38
122	18.84/22.46	21.40/20.05
123	18.48/22.09	21.00/19.72
124	18.13/21.71	20.61/19.39
125	17.77/21.34	20.21/19.06
126	17.42/20.96	19.81/18.72
127	17.06/20.59	19.42/18.39
128	16.71/20.21	19.03/18.06
129	16.37/19.83	18.64/17.72
130	16.02/19.45	18.25/17.39
131	15.67/19.07	17.86/17.05
132	15.33/18.69	17.48/16.71
133	14.99/18.31	17.09/16.38
134	14.65/17.93	16.71/16.04
135	14.30/17.55	16.32/15.70
136	13.97/17.17	15.94/15.36
137	13.63/16.79	15.56/15.02
138	13.30/16.40	15.19/14.68
139	12.96/16.02	14.81/14.34
140	12.63/15.64	14.43/14.00
141	12.30/15.25	14.06/13.65
142	11.97/14.87	13.68/13.31
143	11.64/14.48	13.31/12.97
144	11.31/14.09	12.94/12.62
145	10.99/13.71	12.57/12.28
146	10.66/13.32	12.20/11.93

Cutting Compound Miters
 The chart below identifies miter and bevel settings for various types of compound miters. Always make trial cuts in scrap material prior to making the cut in the workpiece.

Coupe d'onglets Composés

Le tableau présenté ci dessous détermine les angles d'onglet et de biseau pour les différents types d'onglets composés. Toujours faire des coupes d'essai avec des chutes de bois avant de procéder à la coupe de la pièce à travailler.

Cómo cortar ingletes compuestos

La tabla a continuación identifica las configuraciones de inglete y bisel para diferentes tipos de ingletes compuestos. Siempre debe hacer cortes de prueba en material de desecho antes de hacer un corte en la pieza de trabajo.

Pitch Angle Pendiente		Sides / Nombre de côtés / Lados							
		4	5	6	7	8	9	10	
0°	Miter / Onglet / Inglete Bevel / Biseau / Bisel	45.00° 0.00°	36.00° 0.00°	30.00° 0.00°	25.71° 0.00°	22.50° 0.00°	20.00° 0.00°	18.00° 0.00°	
5°	Miter / Onglet / Inglete Bevel / Biseau / Bisel	44.89° 3.53°	35.90° 2.94°	29.91° 2.50°	25.63° 2.17°	22.42° 1.91°	19.93° 1.71°	17.94° 1.54°	
10°	Miter / Onglet / Inglete Bevel / Biseau / Bisel	44.56° 7.05°	35.58° 5.86°	29.62° 4.98°	25.37° 4.32°	22.19° 3.81°	19.72° 3.40°	17.74° 3.08°	
15°	Miter / Onglet / Inglete Bevel / Biseau / Bisel	44.01° 10.55°	35.06° 8.75°	29.15° 7.44°	24.95° 6.45°	21.81° 5.68°	19.37° 5.08°	17.42° 4.59°	
20°	Miter / Onglet / Inglete Bevel / Biseau / Bisel	43.22° 14.00°	34.32° 11.60°	28.48° 9.85°	24.35° 8.53°	21.27° 7.52°	18.88° 6.72°	16.98° 6.07°	
25°	Miter / Onglet / Inglete Bevel / Biseau / Bisel	42.19° 17.39°	33.36° 14.38°	27.62° 12.20°	23.56° 10.57°	20.58° 9.31°	18.26° 8.31°	16.41° 7.50°	
30°	Miter / Onglet / Inglete Bevel / Biseau / Bisel	40.89° 20.70°	32.18° 17.09°	26.57° 14.48°	22.64° 12.53°	19.73° 11.03°	17.50° 9.85°	15.72° 8.89°	
35°	Miter / Onglet / Inglete Bevel / Biseau / Bisel	39.32° 23.93°	30.76° 19.70°	25.31° 16.67°	21.53° 14.41°	18.74° 12.68°	16.60° 11.31°	14.90° 10.21°	
40°	Miter / Onglet / Inglete Bevel / Biseau / Bisel	37.45° 27.03°	29.10° 22.20°	23.86° 18.75°	20.25° 16.19°	17.60° 14.24°	15.58° 12.70°	13.98° 11.46°	
45°	Miter / Onglet / Inglete Bevel / Biseau / Bisel	35.26° 30.00°	27.19° 24.56°	22.21° 20.70°	18.80° 17.87°	16.32° 15.70°	14.43° 14.00°	12.94° 12.62°	
50°	Miter / Onglet / Inglete Bevel / Biseau / Bisel	32.73° 32.80°	25.03° 26.76°	20.36° 22.52°	17.20° 19.41°	14.91° 17.05°	13.17° 15.19°	11.80° 13.69°	
55°	Miter / Onglet / Inglete Bevel / Biseau / Bisel	29.84° 35.40°	22.62° 28.78°	18.32° 24.18°	15.44° 20.82°	13.36° 18.27°	11.79° 16.27°	10.56° 14.66°	
60°	Miter / Onglet / Inglete Bevel / Biseau / Bisel	26.57° 37.76°	19.96° 30.60°	16.10° 25.66°	13.54° 22.07°	11.70° 19.35°	10.31° 17.23°	9.23° 15.52°	
65°	Miter / Onglet / Inglete Bevel / Biseau / Bisel	22.91° 39.86°	17.07° 32.19°	13.71° 26.95°	11.50° 23.16°	9.93° 20.29°	8.74° 18.06°	7.82° 16.26°	
70°	Miter / Onglet / Inglete Bevel / Biseau / Bisel	18.88° 41.64°	13.95° 33.53°	11.17° 28.02°	9.35° 24.06°	8.06° 21.08°	7.10° 18.75°	6.34° 16.88°	
75°	Miter / Onglet / Inglete Bevel / Biseau / Bisel	14.51° 43.08°	10.65° 34.59°	8.50° 28.88°	7.10° 24.78°	6.12° 21.69°	5.38° 19.29°	4.81° 17.37°	
80°	Miter / Onglet / Inglete Bevel / Biseau / Bisel	9.85° 44.14°	7.19° 35.37°	5.73° 29.50°	4.78° 25.30°	4.11° 22.14°	3.62° 19.68°	3.23° 17.72°	
85°	Miter / Onglet / Inglete Bevel / Biseau / Bisel	4.98° 44.78°	3.62° 35.84°	2.88° 29.87°	2.40° 25.61°	2.07° 22.41°	1.82° 19.92°	1.62° 17.93°	
90°	Miter / Onglet / Inglete Bevel / Biseau / Bisel	0.00° 45.00°	0.00° 36.00°	0.00° 30.00°	0.00° 25.71°	0.00° 22.50°	0.00° 20.00°	0.00° 18.00°	

MILWAUKEE TOOL
 13135 West Lisbon Road
 Brookfield, WI 53005 USA