

en	Original Instructions - Cordless drill	6
fr	Notice d'utilisation d'origine - Perceuses-visseuses sans fil	16
es	Manual de instrucciones original - Taladro atornillador de batería	28



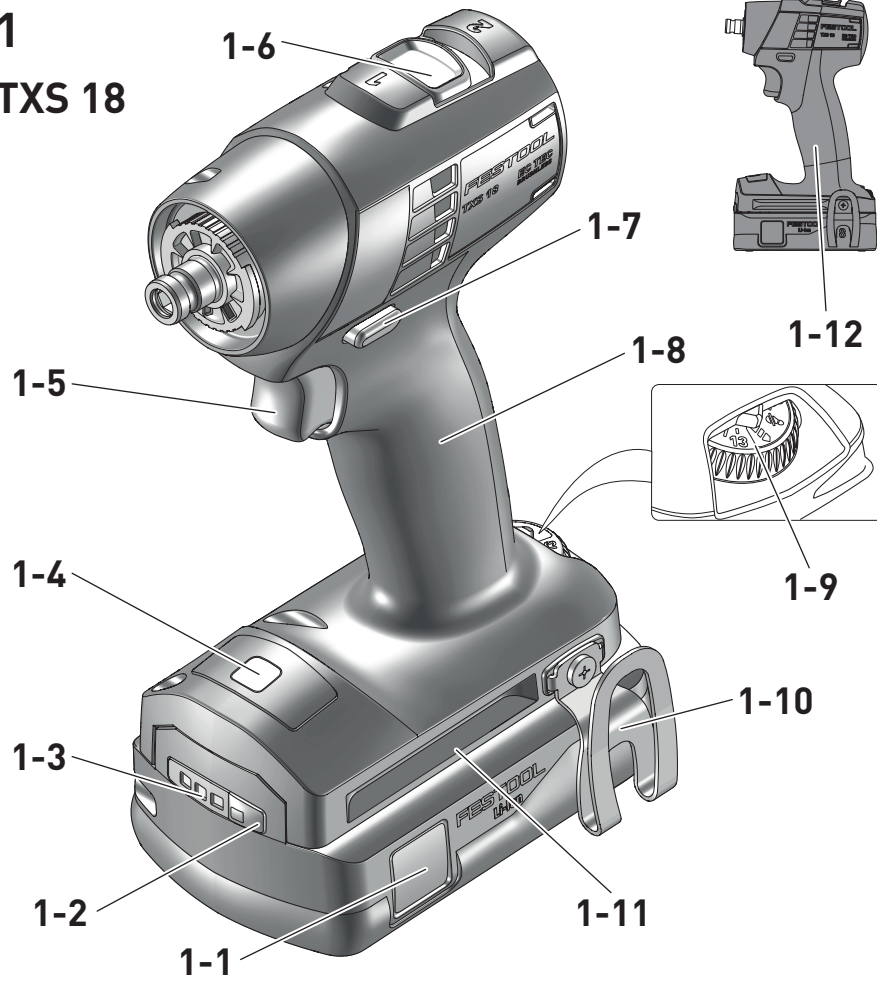
Read all instructions before using
Lire toutes les instructions avant de démarrer les travaux.
Lea y comprende todas las instrucciones antes de usar.



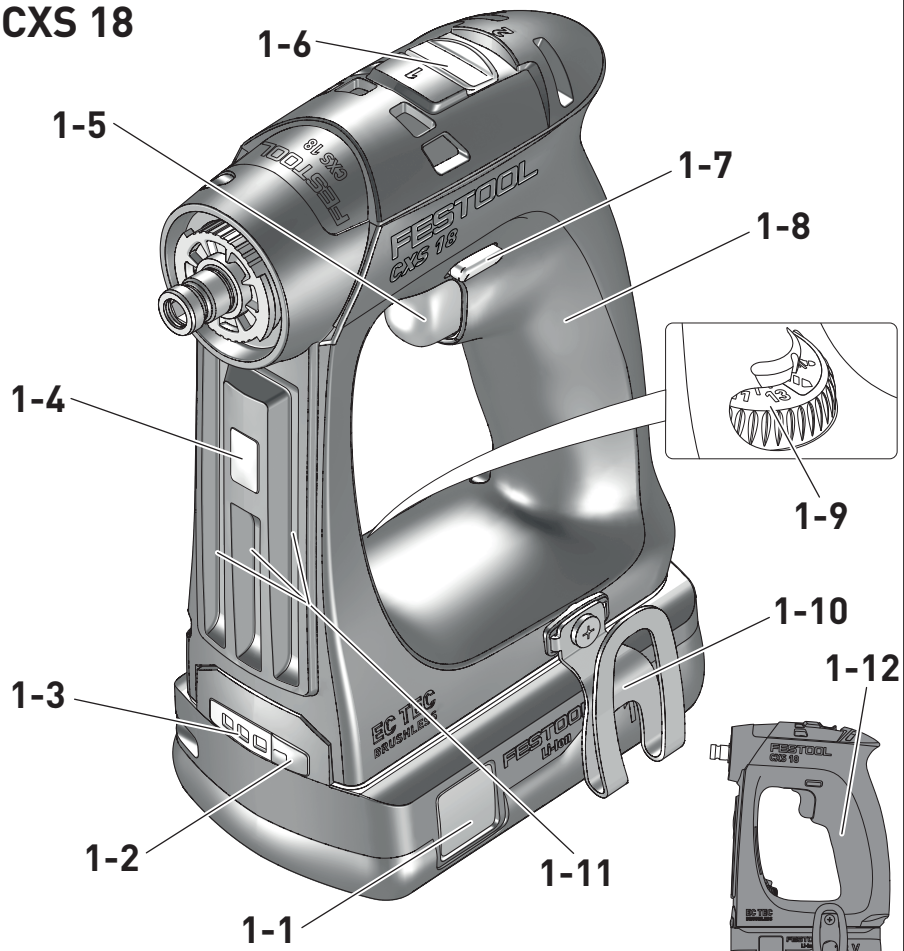
CXS 18
TXS 18



1
TXS 18



CXS 18






Contents

1	About this manual.....	6
2	Symbols.....	6
3	Safety warnings.....	7
4	Intended use.....	10
5	Technical data.....	10
6	Functional description.....	10
7	Battery pack.....	11
8	Commissioning.....	11
9	Settings.....	12
10	Tool holder, attachments.....	12
11	Working with the electric power tool.....	13
12	Warning signals.....	14
13	Service and maintenance.....	14
14	Accessories.....	14
15	Environment.....	15
16	General information.....	15






1 About this manual

Save these instructions

It is important for you to read and understand this manual. The information it contains relates to protecting **your safety** and **preventing problems**. The symbols below are used to help you recognize this information.

	DANGER	Description of imminent hazard and failure to avoid hazard will result in death.
	WARNING	Description of hazard and possible resulting injuries or death.
	CAUTION	Description of hazard and possible resulting injuries.
	NOTICE	Description of possible damage of the device or its surroundings.

2 Symbols

	Warning of general danger
	Warning of electric shock
	Betriebsanleitung, Sicherheitshinweise lesen.
	Gehörschutz tragen.
	Atenschutz tragen.



Schutzbrille tragen.



Wear protective gloves when changing tools!



Inserting the battery pack.



Remove the battery pack.



Only assemble by hand!



Tip or advice



Handling instruction



Diameter



Volt



Direct current



No load speed



Revolutions per minute



Minutes



Newton metre



Millimeter



Inch



Pound



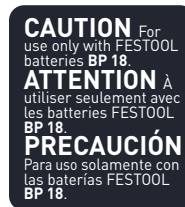
Kilogram



degree Fahrenheit



degree Celsius



CAUTION For use only with FESTOOL batteries BP 18

3 Safety warnings

3.1 General power tool safety warnings



WARNING! Read all safety warnings, instructions, illustrations and specifications provided with this power tool. Failure to follow all instructions listed below may result in electric shock, fire and/or serious injury.

Save all warnings and instructions for future reference.

The term "power tool" in the warnings refers to your mains-operated (corded) power tool or battery-operated (cordless) power tool.

1 WORK AREA SAFETY

- a. **Keep work area clean and well lit.** Cluttered or dark areas invite accidents.
- b. **Do not operate power tools in explosive atmospheres, such as in the presence of flammable liquids, gases or dust.** Power tools create sparks which may ignite the dust or fumes.
- c. **Keep children and bystanders away while operating a power tool.** Distractions can cause you to lose control.

2 ELECTRICAL SAFETY

- a. **Power tool plugs must match the outlet. Never modify the plug in any way. Do not use any adapter plugs with earthed (grounded) power tools.** Unmodified plugs and matching outlets will reduce risk of electric shock.
- b. **Avoid body contact with earthed or grounded surfaces, such as pipes, radiators, ranges and refrigerators.** There is an increased risk of electric shock if your body is earthed or grounded.
- c. **Do not expose power tools to rain or wet conditions.** Water entering a power tool will increase the risk of electric shock.
- d. **Do not abuse the cord. Never use the cord for carrying, pulling or unplugging the power tool. Keep cord away from heat, oil, sharp edges or moving parts.** Damaged or entangled cords increase the risk of electric shock.
- e. **When operating a power tool outdoors, use an extension cord suitable for outdoor use.** Use of a cord suitable for outdoor use reduces the risk of electric shock.
- f. **If operating a power tool in a damp location is unavoidable, use a residual current device (RCD) protected supply.** Use of an RCD reduces the risk of electric shock.

3 PERSONAL SAFETY

- a. **Stay alert, watch what you are doing and use common sense when operating a power tool. Do not use a power tool while you are tired or under the influence of drugs, alcohol or medication.** A moment of inattention while operating power tools may result in serious personal injury.
- b. **Use personal protective equipment. Always wear eye protection.** Protective equipment such as a dust mask, non-skid safety shoes, hard hat or hearing protection used for appropriate conditions will reduce personal injuries.
- c. **Prevent unintentional starting. Ensure the switch is in the off-position before connecting to power source and/or battery pack, picking up or carrying the tool.** Carrying power tools with your finger on the switch or energising power tools that have the switch on invites accidents.
- d. **Remove any adjusting key or wrench before turning the power tool on.** A wrench or a key left attached to a rotating part of the power tool may result in personal injury.
- e. **Do not overreach. Keep proper footing and balance at all times.** This enables better control of the power tool in unexpected situations.
- f. **Dress properly. Do not wear loose clothing or jewellery. Keep your hair and clothing away from moving parts.** Loose clothes, jewellery or long hair can be caught in moving parts.
- g. **If devices are provided for the connection of dust extraction and collection facilities, ensure these are connected and properly used.** Use of dust collection can reduce dust-related hazards.
- h. **Do not let familiarity gained from frequent use of tools allow you to become complacent and ignore tool safety principles.** A careless action can cause severe injury within a fraction of a second.

4 POWER TOOL USE AND CARE

- a. **Do not force the power tool. Use the correct power tool for your application.** The correct power tool will do the job better and safer at the rate for which it was designed.
- b. **Do not use the power tool if the switch does not turn it on and off.** Any power tool that cannot be controlled with the switch is dangerous and must be repaired.

- c. **Disconnect the plug from the power source and/or remove the battery pack, if detachable, from the power tool before making any adjustments, changing accessories, or storing power tools.** Such preventive safety measures reduce the risk of starting the power tool accidentally.
- d. **Store idle power tools out of the reach of children and do not allow persons unfamiliar with the power tool or these instructions to operate the power tool.** Power tools are dangerous in the hands of untrained users.
- e. **Maintain power tools and accessories. Check for misalignment or binding of moving parts, breakage of parts and any other condition that may affect the power tool's operation. If damaged, have the power tool repaired before use.** Many accidents are caused by poorly maintained power tools.
- f. **Keep cutting tools sharp and clean.** Properly maintained cutting tools with sharp cutting edges are less likely to bind and are easier to control.
- g. **Use the power tool, accessories and tool bits etc. in accordance with these instructions, taking into account the working conditions and the work to be performed.** Use of the power tool for operations different from those intended could result in a hazardous situation.
- h. **Keep handles and grasping surfaces dry, clean and free from oil and grease.** Slippery handles and grasping surfaces do not allow for safe handling and control of the tool in unexpected situations.
- d. **Under abusive conditions, liquid may be ejected from the battery; avoid contact. If contact accidentally occurs, flush with water. If liquid contacts eyes, additionally seek medical help.** Liquid ejected from the battery may cause irritation or burns.
- e. **Do not use a battery pack or tool that is damaged or modified.** Damaged or modified batteries may exhibit unpredictable behaviour resulting in fire, explosion or risk of injury.
- f. **Do not expose a battery pack or tool to fire or excessive temperature.** Exposure to fire or temperature above 130 °C (265 °F) may cause explosion.
- g. **Follow all charging instructions and do not charge the battery pack or tool outside the temperature range specified in the instructions.** Charging improperly or at temperatures outside the specified range may damage the battery and increase the risk of fire.

6 SERVICE

- a. **Have your power tool serviced by a qualified repair person using only identical replacement parts.** This will ensure that the safety of the power tool is maintained.
- b. **Never service damaged battery packs.** Service of battery packs should only be performed by the manufacturer or authorized service providers.
- c. **Only use original Festool parts for repair and maintenance.** The use of incompatible accessories or spare parts can result in electric shocks or other injuries.

Follow the operating manual for the charger and the battery pack.

3.2 Machine-specific safety notices

- **Hold the power tool by insulated gripping surfaces, when performing an operation where the cutting accessory or fasteners may contact hidden wiring.** Cutting accessory contacting a "live" wire may make exposed metal parts of the power tool "live" and could give the operator an electric shock.
- **Use appropriate detection devices to look for any hidden supply lines or consult your local utility company.** If the insertion tool makes contact with live cables, it can result in fire and electric shock. Damage to a gas pipe can lead to an explosion. Penetration

5 BATTERY TOOL USE AND CARE

- a. **Recharge only with the charger specified by the manufacturer.** A charger that is suitable for one type of battery pack may create a risk of fire when used with another battery pack.
- b. **Use power tools only with specifically designated battery packs.** Use of any other battery packs may create a risk of injury and fire.
- c. **When battery pack is not in use, keep it away from other metal objects, like paper clips, coins, keys, nails, screws or other small metal objects, that can make a connection from one terminal to another.** Shorting the battery terminals together may cause burns or a fire.

of a water pipe can result in damage to property.

- **Keep the power tool away from magnetic fields.** The power tool may switch on unexpectedly and cause injury.



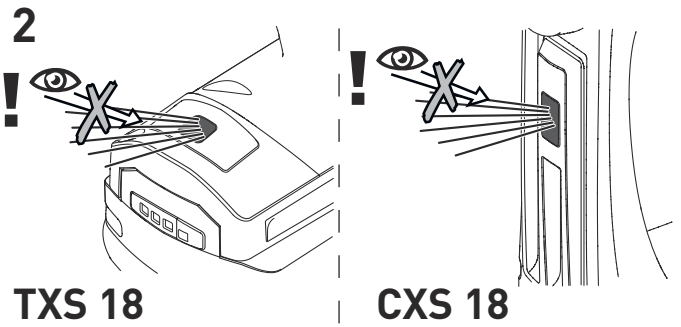
Wear suitable personal protective equipment: Ear protection, safety goggles, a dust mask for work that generates dust.

CAUTION! Power tool can jam and cause sudden kickback! Switch off immediately!

- **Firmly hold the power tool with one hand on the handle [1-8] and keep the other hand away from the hazard area. Make sure the speed is adjusted correctly when screwdriving. Be prepared for a high reaction torque,** which may cause the power tool to turn and lead to injury.
- **Do not use the power tool in the rain or in damp surroundings.** Moisture in the power tool may cause a short circuit and fire.
- **Wait until the power tool has come to a complete halt before placing it down.** The insertion tool can get caught and lead to a loss of control of the power tool.
- **Avoid unintentional activation.** Carrying the electric power tool with your fingers on the on/off switch can lead to accidents. When you are not using the power tool, set the switch for the transport lock [1-7] to the centre position.
- Do not manipulate or block controls, e.g. the on/off switch.
- **Do not use power supply units or third-party battery packs to operate cordless power tools. Do not use third-party chargers to charge the battery packs.** The use of accessories not expressly authorised by the manufacturer can result in electric shocks and/or serious accidents.



Warning of harmful light radiation. Do not look into the light beam for long periods. Do not direct the light beam towards other people or animals. Optical radiation can damage the eyes – [2].



- Use a dust extractor when working with dust.
- **Do not use any insertion tools or accessories that the manufacturer has not specially designed or recommended for this power tool.** Just because you can attach accessories or insertion tools to your power tool does not guarantee that they can be used safely. This may increase the risk of injury, accelerate the wear on the power tool and decrease the quality of the working results.
- **Depending on the type and use of the accessory, particles, the insertion tool or parts of the insertion tool could come loose. This can lead to increased exposure to dust and to unexpected movements.** Wear suitable personal protective equipment. Be prepared for a high reaction torque, which may cause the power tool to turn and lead to injury.

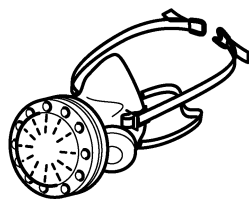
3.3 Safety instructions when using long drill bits

- **Never operate at higher speed than the maximum speed rating of the drill bit.** At higher speeds, the bit is likely to bend if allowed to rotate freely without contacting the workpiece, resulting in personal injury.
- **Always start drilling at low speed and with the bit tip in contact with the workpiece.** At higher speeds, the bit is likely to bend if allowed to rotate freely without contacting the workpiece, resulting in personal injury.
- **Apply pressure only in direct line with the bit and do not apply excessive pressure.** Bits can bend causing breakage or loss of control, resulting in personal injury.

3.4 Health hazard by dust

WARNING! various dust created by power sanding, sawing, grinding, drilling and other construction activities contains chemicals known (to the State of California) to cause cancer, birth defects or other reproductive harm. Some examples of these chemicals are:

- lead from lead-based paints,
- crystalline silica from bricks and cement and other masonry products, and
- arsenic and chromium from chemically treated lumber.



The risk from these exposures varies, depending on how often you do this type of work. To reduce your exposure to these chemicals: work in a well ventilated area, and work with approved safety equipment, such as dust masks that are specially designed to filter out microscopic particles. Wash hands after handling.

5 Technical data

Cordless drill		CXS 18, TXS 18
Motor voltage		18 V $\overline{=}$
No-load speed*	1st gear	0 – 470 min ⁻¹
	2nd gear	0 – 1600 min ⁻¹
Max. torque	Soft material (wood)	22 Nm
	Hard material (metal)	40 Nm
Adjustable torque**	1st gear	1.1 – 8 Nm
	2nd gear	0.4 – 2.3 Nm
Chuck clamping range		1/16"–3/8" (1.0–10 mm)***
Max. drill diameter	Wood	1-3/8" (35 mm)
	Metal	3/8" (10 mm)
Screwdriving in spruce	Max. dia.	1/4" (6 mm)
Tool holder in drill spindle		1/4"
Weight with chuck and belt clip, without battery pack.		2.2 lbs (1 kg)

* Speed values based on fully charged battery pack.

** The maximum speed (value for clockwise rotation) is reduced in the lower torque settings.

*** Values refer to chuck clamping range included in delivery. Festool 1/2" (13 mm) chucks can also be used.

6 Functional description

- [1-1]** Buttons for releasing the battery pack
- [1-2]** Capacity indicator button on battery pack
- [1-3]** Capacity indicator



WARNING

TO REDUCE THE RISK OF INJURY, USER MUST READ INSTRUCTION MANUAL.

4 Intended use

Cordless drill suitable

- for drilling in metal, wood, plastics and similar materials,
- for screwing in and tightening screws.
- intended for use with BP Festool battery packs of the same voltage class.



The user is liable for damage and accidents caused by improper and non-intended use; this also includes damage and wear caused by continuous industrial operation.

- [1-8] Handle
- [1-9] Thumbwheel for torque/drilling/lighting duration on and duration off
- [1-10] Belt clip
- [1-11] Bit store
- [1-12] Insulated gripping surfaces (grey shaded area)

Accessories shown or described are not always included in the scope of delivery.


The pictures for the functional description are on a fold-out page at the beginning of the instruction manual. While reading the manual you can fold out the page for comparison and quick reference.


7 Battery pack

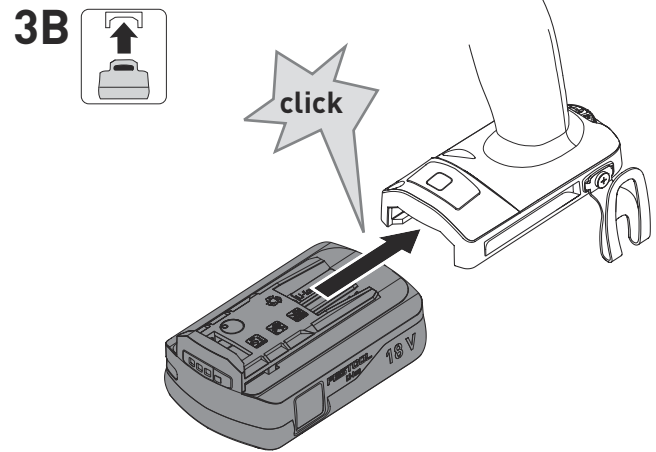
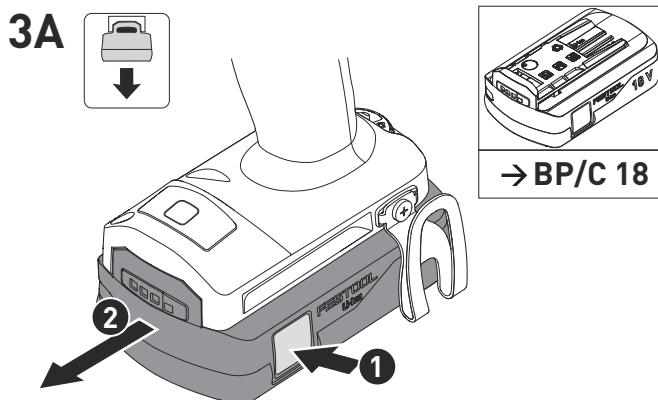
Before using the battery pack, check that the battery interface is clean. Any contamination of the battery interface may impair correct contact and lead to the contacts being damaged.

A faulty contact may result in the machine overheating or being damaged.

[3A] Remove the battery pack.

[3B]  Insert the battery pack – until it clicks into place.

 Further information about the charger and battery pack with capacity indicator can be found in the corresponding operating manual.



8 Commissioning



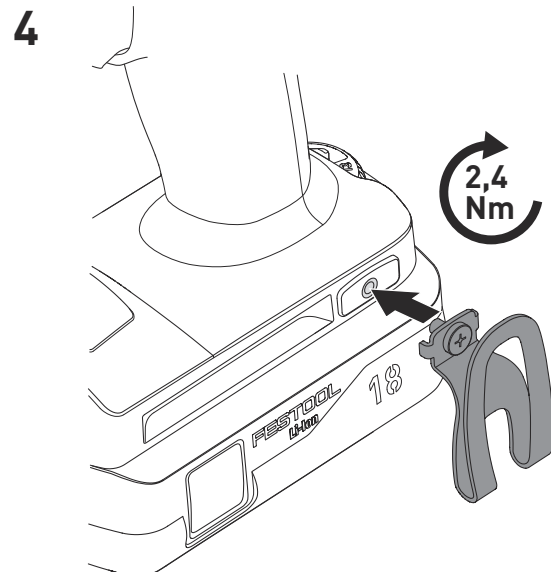
CAUTION

Risk of injury

- Only assemble when the power tool is switched off!


8.1 Belt clip [1-10]

The belt clip allows the power tool to be attached to work attire for brief periods. It can be attached to the right or left of the power tool using a screw [4].



8.2 Switching on/off [1-5]

Press = ON, release = OFF

 The speed can be continuously adjusted, relative to the pressure applied to the on/off switch.

Set the rotational direction switch [1-7] to the centre position to lock the on/off switch.

The LED light [1-4] lights up when the on/off switch [1-5] is pressed, see section 9.4.

9 Settings



CAUTION

Risk of injury

- ▶ Only adjust the settings when the power tool is switched off.

9.1 Changing direction of rotation [1-7]

- Switch to the left = clockwise rotation
- Switch to the right = counterclockwise rotation

9.2 Changing gear


The gear switch [1-6] can be used to switch the gear unit when the power tool is switched off.

9.3 Adjusting the torque [1-9]

Screwdriving


- ▶ Adjust the torque on the thumbwheel [1-9].
- ▶ Carry out a test of the torque in a piece of the same material.
- ▶ Always check the working result.

i Position 1 = low torque
Position 13 = high torque

i If the temperature of the power tool is under 0 °C, the torque shut-off values may deviate. Leave the power tool idling (thumbwheel on drill symbol ) until it has warmed up.

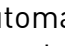
A **signal** sounds when the set torque is reached and the power tool switches off. The power tool only starts up again if the on/off switch [1-5] is released and pressed again.


Drilling


Marking shows the drill symbol  = maximum torque.

9.4 Adjust lighting [1-9]

Configure lighting at the thumbwheel [1-9].

Marking shows position 1 to 13 or drill symbol . The LED light [1-4] automatically switches on and off with the power tool. The LED light has an afterglow for a short time after the tool has been switched off.

 **Marking shows lighting duration on/maximum torque.** Briefly apply pressure on the on/off switch [1-5] to permanently switch the LED light on. After ten minutes, the LED light automatically switches off.

 **Marking shows lighting duration off/maximum torque.** The LED light is permanently switched off.

9.5 Festool Work app*

The power tool can be configured with the Festool Work app.

i The battery pack is connected via Bluetooth®, see the operating manual for the battery pack.

* Not available in all countries.

10 Tool holder, attachments



WARNING

Verletzungsgefahr

- ▶ Nehmen Sie vor allen Arbeiten am Elektrowerkzeug den Akkupack vom Elektrowerkzeug ab.



CAUTION

Risk of injury from hot and sharp insertion tool

- ▶ Do not use any blunt or faulty insertion tools.
- ▶ Wear protective gloves when handling an insertion tool.

i **Prior to initial use:** Apply some multipurpose grease to the drill spindle.

10.1 CENTROTEC tool chuck [5]

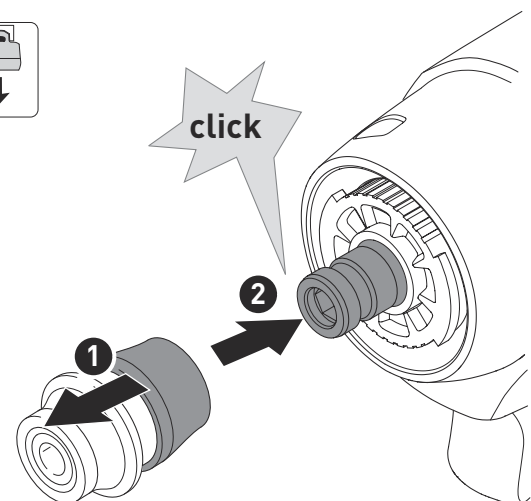
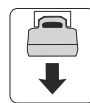
Fast changeover of tools with CENTROTEC shaft.

WARNING! Only clamp CENTROTEC tools in CENTROTEC tool chucks.

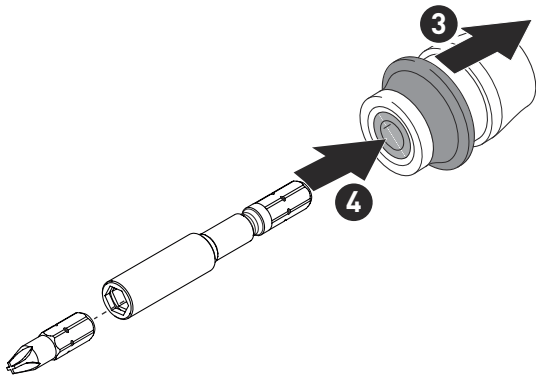


Wear gloves when replacing tools.

5



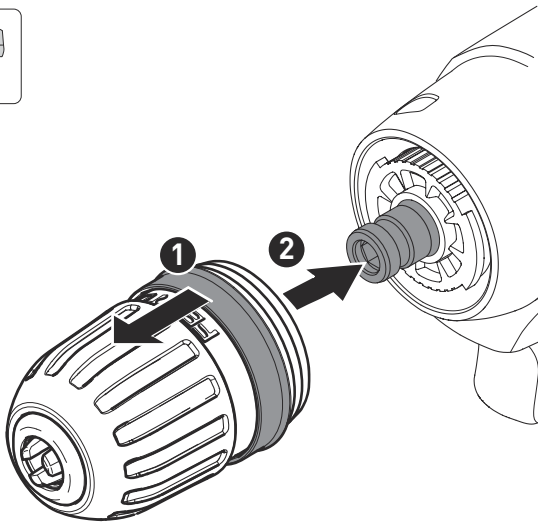
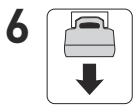
WH-CE
CENTROTEC®



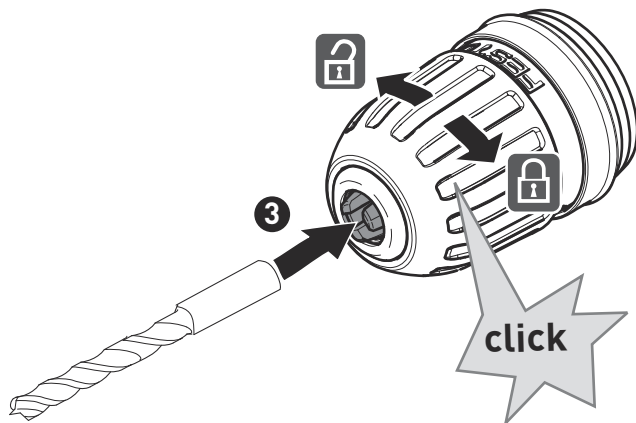
10.2 Chuck [6]

For clamping drill bits and bits with a max. shaft diameter of 3/8" (10 mm).

WARNING! Clamp the tool centrally in the chuck.

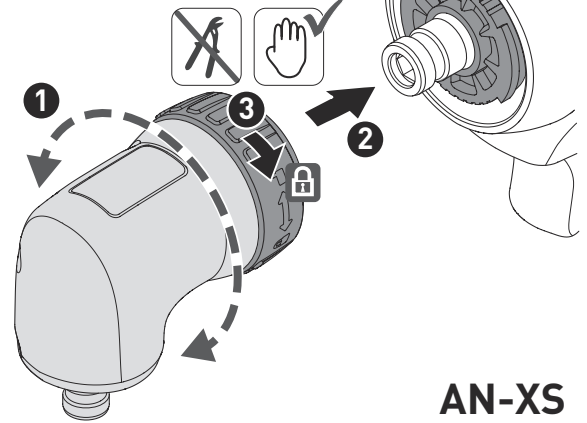
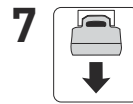


BF-FX 10



10.3 Angle attachment [7]

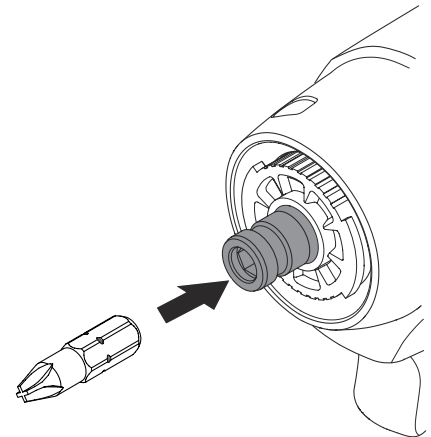
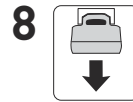
Drilling and screwdriving at right angles to the power tool (available as an accessory depending on the model).



AN-XS

10.4 Tool holder in the drill spindle [8]

Bits can be inserted directly into the hexagon socket holder of the drill spindle.



11 Working with the electric power tool



WARNING

Risk of injury

- ▶ Only position the power tool on the screw when it is switched off.
- ▶ Always secure the workpiece in such a manner that it cannot move during machining.
- ▶ Keep hands away from the rotating tools.



CAUTION

Risk of burns

The tool holder and tool may become very hot during operation.

- ▶ Allow them to cool down before attaching them to the belt clip.

11.1 Bit store [1-11]

Magnetic, for storing bits and bit holders.






CAUTION

Risk of injury from metal cuttings in the bit store.

- Clean the bit store regularly and clear out metal cuttings.

12 Warning signals

Warning signals occur and the power tool switches off in the following operating states:

Signal	Cause	Action
Beeps once. 	Battery pack empty/incompatible.	Charge/change the battery pack.
	Power tool overloaded.	Reduce the load on the power tool.
	When pressing the on/off switch: Power tool has overheated.	Once it has cooled down, restart the power tool.
Beeps twice. 	Preset torque reached.	-
Beeps continuously. 	The power tool is faulty.	Contact the manufacturer to rectify the fault.

13 Service and maintenance



WARNING

Risk of injury, electric shock

- Always disconnect the battery pack from the machine before any cleaning or maintenance!



WARNING

Any maintenance or repair work that requires opening of the motor or gear housing should only be carried out by an authorised Customer Service Centre (name supplied by your dealer)!

- Maintenance or repair work carried out by an unauthorised person can lead to the wrong connection of the power cord or other components, which in turn can lead to accidents with serious consequences.



CAUTION

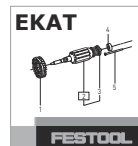
Certain cleaning agents and solvents are harmful to plastic parts.

- Some of these include, but are not limited to: Gasoline, Acetone, Methyl Ethyl Ketone (MEK), Carbonyl Chloride, cleaning solutions containing Chlorine, Ammonia, and household cleaners containing Ammonia.



Customer service and repairs must only be carried out by the manufacturer or service workshops. Find the nearest address at:

www.festoolusa.com/service



Always use original Festool spare parts. Order no. at:

www.festoolusa.com/service

To ensure constant air circulation, always keep the cooling air openings in the motor housing clean and free of blockages.

Keep the contacts on the power tool, charger and battery pack clean.

Check all warnings on the electric power tool for readability and completeness. Replace missing or illegible warnings.

14 Accessories

Use only original Festool accessories and Festool consumable material intended for this machine. These components are designed specifically for this machine. Using accessories and consumable material from other suppliers will most likely affect the quality of your results and limit warranty claims. Machine wear or your own personal workload may increase depending on the application. Protect yourself and your machine, and preserve your warranty

claims by always using original Festool accessories and Festool consumable material!


Refer to the Festool catalogue for the order numbers of accessories and tools or find them online at www.festoolusa.com.

14.1 SYSTAINER


Systainer

Many Festool products are shipped in a unique system container, called "Systainer". This provides protection and storage for the tool and accessories. The Systainers are stackable and can be interlocked together. They also can be interlocked atop Festool CT dust extractors.

To open the Systainer


 Turn the T-loc **[SYS-b-1]** to this position.

To lock the Systainer


 Turn the T-loc **[SYS-b-1]** to this position.

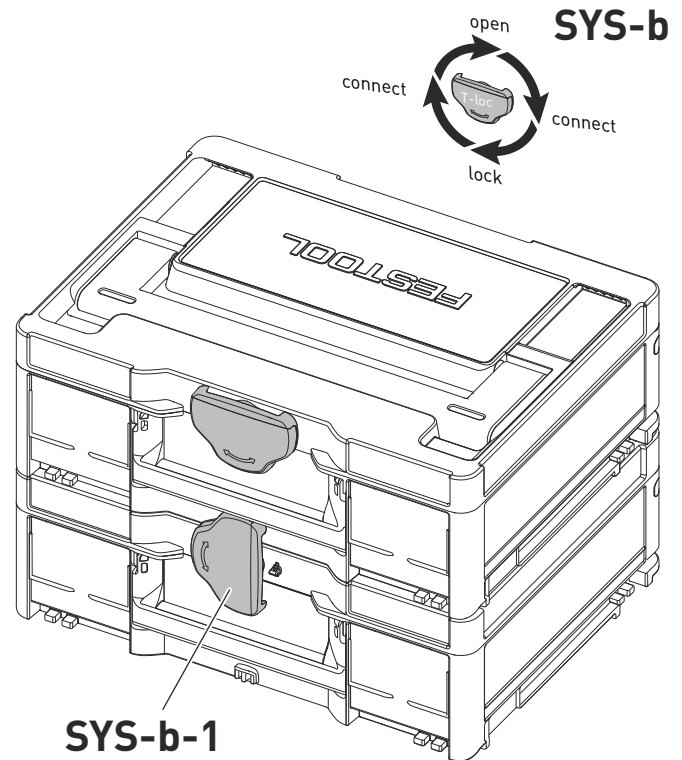
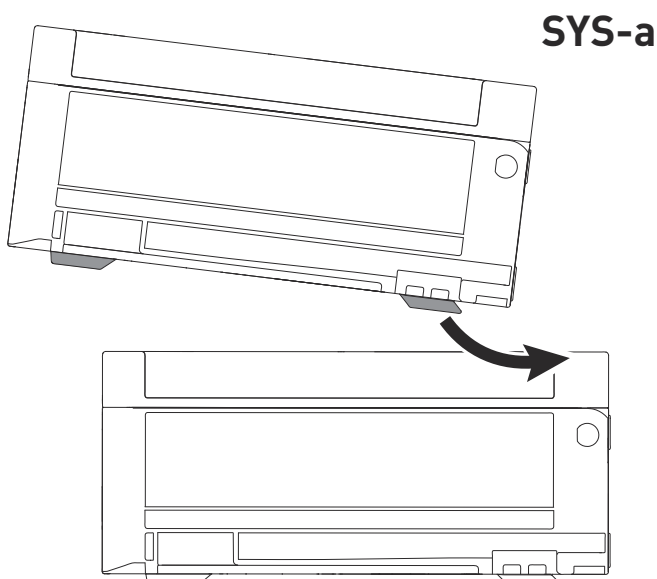
To connect two Systainers

Place one Systainer on the top of the other (Fig. **[SYS-a]**).

 Turn the T-loc **[SYS-b-1]** to one of this positions (Fig. **[SYS-b]**).

The Systainers are connected and locked.

-  A Systainer Classic Line can be connected to a Systainer T-Loc or to a Systainer³ from below via its four locking devices. A Systainer T-Loc can be connected to a Systainer³ both from below and from above.



15 Environment

Do not dispose of the device together with domestic waste! Dispose of machines, accessories and packaging at an environmentally responsible recycling centre. Observe the valid national regulations.

Battery Disposal



WARNING

Risk of fire or injury

- ▶ Do not attempt to disassemble the battery or remove any component projecting from the battery terminals.
- ▶ Prior to disposal, protect exposed terminals with heavy insulating tape to prevent shorting.

16 General information

16.1 Bluetooth®

The Bluetooth® word mark and the logos are registered trademarks of Bluetooth SIG, Inc.; they are used by TTS Tooltechnic Systems AG & Co. KG, and therefore by Festool, under licence.




Sommaire

1	À propos de ce manuel.....	16
2	Symboles.....	16
3	Consignes de sécurité.....	17
4	Utilisation conforme.....	20
5	Caractéristiques techniques.....	21
6	Description fonctionnelle.....	21
7	Batterie.....	22
8	Mise en service.....	22
9	Réglages.....	22
10	Porte-outil, appareils à monter.....	23
11	Utilisation de l'outil électroportatif.....	24
12	Signaux d'avertissement.....	25
13	Entretien et maintenance.....	25
14	Accessoires.....	26
15	Environnement.....	26
16	Remarques générales.....	27





1 À propos de ce manuel

Conservez ces instructions

Il est important pour vous de lire et de comprendre ce manuel. Les informations qu'il contient, se rapporte à la protection **de votre sécurité** et **de prévention des problèmes**. Les symboles suivants sont utilisés pour vous aider à reconnaître cette information.

	DANGER	Description du risque imminent et l'incapacité à éviter tout risque qui peut entraîner la mort.
	AVERTISSEMENT	Description des dangers possibles et des blessures qui en résultent ou la mort.
	ATTENTION	Description des dangers et des éventuelles blessures qui en résultent.
	AVIS	Description des dommages potentiels sur l'appareil ou dans son environnement.

2 Symboles

	Avertit d'un danger général
	Avertit d'un risque de décharge électrique
	Betriebsanleitung, Sicherheitshinweise lesen.
	Gehörschutz tragen.



Atenschutz tragen.



Schutzbrille tragen.



Porter des gants de protection pour procéder au changement d'outil !



Insérer la batterie.



Retirer la batterie.



Montage à la main uniquement !



Conseil, information



Instruction



Diamètre



Volt



Tension continu



Vitesse de rotation à vide



Tours ou course par minute



Minutes



Newton metre



Millimètre



Pouce



Livre



Kilogramme



degrés Fahrenheit



centigrade



ATTENTION À utiliser seulement avec les batteries FESTOOL BP 18

3 Consignes de sécurité

3.1 Consignes générales de sécurité pour outils électroportatifs



AVERTISSEMENT ! Veuillez lire toutes les consignes de sécurité, instructions, illustrations et caractéristiques techniques qui accompagnent le présent outil électroportatif.

Des négligences relatives aux instructions suivantes peuvent occasionner un choc électrique, un incendie et/ou des blessures graves.

Conserver l'ensemble des consignes de sécurité et des instructions afin de pouvoir les consulter ultérieurement.

Le terme « outil électroportatif » utilisé dans les consignes de sécurité se rapporte aux outils électroportatifs fonctionnant sur secteur (avec câble) et aux outils électroportatifs fonctionnant sur batterie (sans câble).

1 SÉCURITÉ DU POSTE DE TRAVAIL

- Veillez à ce que la zone de travail soit propre et bien éclairée.** Un poste de travail en désordre ou mal éclairé peut entraîner des accidents.
- Ne vous servez pas de l'outil électroportatif dans un environnement où il y a un risque d'explosion dû à la présence de liquides inflammables, de gaz ou de poussières.** Les outils électroportatifs peuvent générer des étincelles susceptibles d'enflammer la poussière ou les vapeurs.
- Éloignez les enfants et d'autres personnes pendant l'utilisation de l'outil électroportatif.** Si vous êtes distrait, vous pouvez perdre le contrôle de l'outil électroportatif.

2 SÉCURITÉ ÉLECTRIQUE

- Le connecteur de l'outil électroportatif doit correspondre à la prise électrique. Le connecteur ne doit être modifié d'aucune façon. N'utilisez pas d'adaptateur avec des outils électroportatifs mis à la terre.** Des connecteurs intacts et des prises correspondantes diminuent le risque d'un choc électrique.
- Évitez tout contact avec des surfaces mises à la terre telles que des tuyaux, chauffages, cuisinières et réfrigérateurs.** Un risque élevé de choc électrique existe si votre corps est relié à la terre.
- Protégez les outils électroportatifs de la pluie et de l'humidité.** L'infiltration d'eau dans un outil électroportatif augmente le risque de choc électrique.

- Ne détournez pas l'utilisation du câble de raccordement pour porter l'outil électroportatif, l'accrocher ou pour tirer le connecteur de la prise. Éloignez le câble de la chaleur, de l'huile, de bords tranchants ou de pièces en mouvement.** Des câbles de raccordement endommagés ou enchevêtrés augmentent le risque de choc électrique.
- Si vous travaillez avec un outil électroportatif à l'extérieur, utilisez uniquement des rallonges prévues pour l'extérieur.** L'utilisation d'un câble prévu pour l'extérieur diminue le risque d'un choc électrique.
- Utilisez un disjoncteur à courant de défaut quand le fonctionnement de l'outil électroportatif en environnement humide ne peut pas être évité.** L'utilisation d'un disjoncteur à courant de défaut diminue le risque d'un choc électrique.

3 SÉCURITÉ DES PERSONNES

- Soyez attentif à ce que vous faites, faites preuve de bon sens lorsque vous travaillez avec l'outil électroportatif. N'utilisez pas l'outil électroportatif si vous êtes fatigué ou si vous êtes sous l'influence de drogues, de l'alcool ou de médicaments.** Un moment d'inattention lors de l'utilisation de l'outil électroportatif peut entraîner des blessures graves.
- Portez un équipement de protection individuelle et des lunettes de protection en permanence.** Le port d'un équipement de protection individuelle tel que masque contre la poussière, chaussures de sécurité antidérapantes, casque ou protection auditive, en fonction du type et de l'utilisation de l'outil électroportatif, diminue le risque de blessures.
- Évitez toute mise en service involontaire. Assurez-vous que l'outil électroportatif est déconnecté avant de le raccorder à l'alimentation électrique et/ou à la batterie, avant de le soulever ou de le porter.** Si, en portant l'outil électroportatif, vous avez le doigt sur l'interrupteur ou si vous raccordez l'outil électroportatif connecté à l'alimentation électrique, cela peut entraîner des accidents.
- Retirez les outils de réglage ou les clés anglaises avant de connecter l'outil électroportatif.** Un outil ou une clé qui se trouve dans une partie de l'outil électroportatif en rotation peut entraîner des blessures.

- e. **Évitez toute position de travail anormale. Veillez à maintenir une position stable et un bon équilibre à tout moment.** Vous pourrez ainsi à tout moment contrôler l'outil électroportatif dans des situations inattendues.
- f. **Portez des vêtements adaptés. Ne portez pas de vêtements amples ou de bijoux. Éloignez vos cheveux et vos vêtements des pièces en mouvement.** Des vêtements amples, des bijoux ou des cheveux longs pourraient se prendre dans les pièces en mouvement.
- g. **Si des dispositifs d'aspiration et de récupération des poussières peuvent être montés, raccordez-les et utilisez-les correctement.** L'utilisation d'une aspiration des poussières peut diminuer les dangers dus aux poussières.
- h. **Ne vous croyez pas faussement en sécurité et n'enfreignez pas les règles de sécurité destinées aux outils électroportatifs, même si vous maîtrisez l'outil électroportatif après de multiples utilisations.** Un manque d'attention peut en un quart de seconde entraîner de graves blessures.

4 UTILISATION ET TRAITEMENT DE L'OUTIL ÉLECTROPORTATIF

- a. **Ne surchargez pas l'outil électroportatif. Utilisez l'outil électroportatif destiné à votre travail.** L'outil électroportatif adapté vous permet de travailler mieux et avec plus de sécurité dans la plage de puissance indiquée.
- b. **N'utilisez aucun outil électroportatif dont l'interrupteur serait défectueux.** Un outil électroportatif qui ne peut plus être mis en marche ou arrêté est dangereux et doit être réparé.
- c. **Débranchez le connecteur de la prise de courant et/ou retirez une batterie amovible avant d'effectuer des réglages sur l'appareil, de remplacer des pièces d'outil ou de déposer l'outil électroportatif.** Cette mesure de précaution empêche un démarrage involontaire de l'outil électroportatif.
- d. **Rangez toujours les outils électroportatifs inutilisés hors de portée des enfants. Ne laissez aucune personne à laquelle vous ne faites pas confiance ou qui n'a pas lu ces consignes se servir de l'outil électroportatif.** Les outils électroportatifs sont dangereux lorsqu'ils sont utilisés par des personnes inexpérimentées.

- e. **Prenez soin de vos outils électroportatifs et outils. Vérifiez que les parties mobiles fonctionnent sans problème, qu'elles ne coïncent pas et qu'il n'y a pas de parties cassées ou endommagées qui pourraient entraver le bon fonctionnement de l'outil électroportatif. Faites réparer les parties endommagées avant d'utiliser l'outil électroportatif.** De nombreux accidents sont dus à un mauvais entretien des outils électroportatifs.
- f. **Maintenez les outils de coupe affûtés et propres.** Des outils de coupe entretenus avec soin dotés de bords de coupe affûtés se coïncent moins et sont plus faciles à utiliser.
- g. **Utilisez l'outil électroportatif, les outils, etc. en respectant ces instructions. Tenez compte des conditions de travail et de la tâche à effectuer.** L'utilisation des outils électroportatifs pour d'autres applications que celles prévues peut entraîner des situations dangereuses.
- h. **Veillez à ce que les poignées et surfaces des poignées soient sèches, propres et exemptes d'huile ou de graisse.** Des poignées et surfaces de poignées glissantes ne permettent pas une utilisation en toute sécurité ni un contrôle de l'outil électroportatif dans des situations imprévues.

5 UTILISATION ET TRAITEMENT DE L'OUTIL SANS FIL

- a. **Rechargez les batteries uniquement dans les chargeurs recommandés par le fabricant.** Un chargeur destiné à un certain type de batteries peut prendre feu s'il est utilisé avec d'autres batteries.
- b. **Utilisez uniquement les batteries prévues dans les outils électroportatifs.** L'utilisation d'autres batteries peut entraîner des blessures et un risque d'incendie.
- c. **Éloignez la batterie non utilisée des trombones, pièces de monnaie, clés, clous, vis ou tout autre objet métallique qui pourraient causer un pontage des contacts.** Un court-circuit entre les contacts de la batterie peut causer des brûlures ou un incendie.
- d. **En cas d'utilisation erronée, il est possible que du liquide s'écoule de la batterie. Éviter tout contact avec celui-ci. En cas de contact accidentel, rincer avec de l'eau. Si le liquide pénètre dans les yeux, consultez en plus un médecin.** Le liquide s'écoulant

de la batterie peut causer des irritations cutanées ou des brûlures.

- e. **N'utilisez pas de batterie endommagée ou modifiée.** Des batteries endommagées ou modifiées peuvent causer des réactions inattendues et provoquer un incendie, une explosion ou des blessures.
- f. **N'exposez pas une batterie au feu ou à des températures élevées.** Le feu ou des températures supérieures à 130 °C peuvent provoquer une explosion.
- g. **Suivez toutes les instructions pour le chargement et ne chargez jamais la batterie ou l'outil sans fil hors de la plage de température indiquée dans la notice d'utilisation.** Un chargement erroné ou hors de la plage de température autorisée peut détruire la batterie et augmenter le risque d'incendie.

6 SERVICE

- a. **Faites réparer votre outil électroportatif uniquement par un personnel qualifié ; les réparations doivent être effectuées avec des pièces d'origine uniquement,** afin de garantir la fiabilité de l'outil électroportatif.
- b. **N'entretenez jamais de batteries endommagées.** Seul le fabricant ou des ateliers de service après-vente agréés doivent réaliser l'ensemble de la maintenance des batteries.
- c. **Pour la réparation et l'entretien, n'utilisez que des pièces d'origine.** L'utilisation d'accessoires ou de pièces détachées non adaptés risque de provoquer une électrocution ou des blessures.

Respecter la notice d'utilisation du chargeur et de la batterie.

3.2 Consignes de sécurité spécifiques à l'appareil


- **Si l'outil monté risque d'entrer en contact avec des vis ou des câbles invisibles, tenez l'outil électroportatif à l'aide des poignées isolées.** Le contact avec un câble sous tension peut également mettre des pièces métalliques de l'appareil sous tension et provoquer une décharge électrique.
- **Utilisez des appareils de détection appropriés pour repérer les câbles d'alimentation invisibles ou consultez l'entreprise de distribution locale.** Le contact de l'outil monté avec un câble sous tension peut provoquer un feu ou une décharge électrique. Une conduite de gaz endommagée peut

provoquer une explosion. Le perçage dans une conduite d'eau provoque des dégâts matériels.

- **Tenez l'outil électroportatif à l'écart des champs magnétiques.** L'outil électroportatif peut se mettre en marche inopinément et provoquer des blessures.




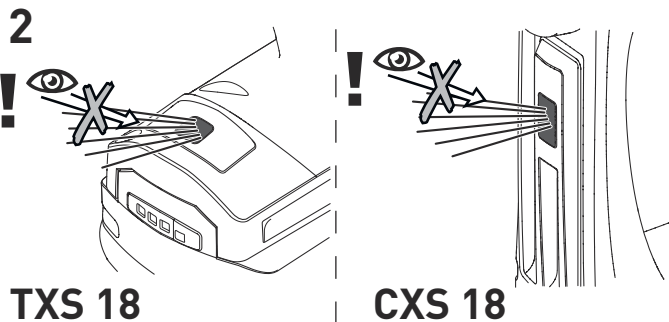
- **Portez un équipement de protection individuelle approprié :** protection auditive, lunettes de protection, masque contre la poussière pour des opérations s'accompagnant d'un dégagement de poussière.

 **ATTENTION ! L'outil électroportatif peut se bloquer et provoquer un rebond brusque !** Mettre à l'arrêt immédiatement !

- **Tenez fermement l'outil électroportatif d'une main avec la poignée [1-8] et gardez l'autre main à distance de la zone dangereuse. Réglez correctement la vitesse de rotation lors du vissage. Attendez-vous à un couple de réaction élevé** pouvant entraîner une rotation de l'outil électroportatif et provoquer des blessures.
- **Ne pas utiliser l'outil électroportatif sous la pluie ou dans un environnement humide.** L'humidité dans l'outil électroportatif peut causer un court-circuit et provoquer un incendie.
- **Attendez que l'outil électroportatif soit complètement immobilisé avant de le déposer.** L'outil monté peut s'accrocher et provoquer une perte de contrôle de l'outil électroportatif.
- **Évitez toute mise en marche par inadvertance.** Transporter l'outil électroportatif en gardant le doigt sur l'interrupteur marche/arrêt peut entraîner des accidents. Lorsque vous n'utilisez pas l'outil électroportatif, placez l'interrupteur de verrouillage de transport [1-7] en position médiane.
- Les éléments de commande, par ex. l'interrupteur marche/arrêt, ne doivent être ni modifiés ni bloqués.
- **Ne pas faire fonctionner l'outil électroportatif sans fil avec des blocs d'alimentation secteur ou avec des batteries d'autres fabricants. Ne pas utiliser de chargeurs d'autres fabricants pour recharger la batterie.** L'utilisation d'accessoires autres que ceux prévus par le fabricant peut provoquer

une décharge électrique et/ou des accidents graves.

-  **Avvertissement : rayonnement lumineux nocif. Ne regardez pas longtemps le faisceau lumineux. Ne dirigez pas le faisceau lumineux sur d'autres personnes ou des animaux.** Le rayonnement optique peut provoquer des lésions oculaires - [2].



- Lors des opérations s'accompagnant d'un dégagement important de poussière, utilisez toujours une aspiration des poussières.
- **N'utilisez pas d'outils d'usinage et d'accessoires qui ne sont pas spécialement prévus et recommandés par le fabricant pour cet outil électroportatif.** Le simple fait de pouvoir fixer l'accessoire ou l'outil d'usinage sur votre outil électroportatif ne garantit pas une utilisation sûre. Les risques de blessures ainsi que l'usure de l'outil électroportatif peuvent augmenter et la qualité des résultats de travail obtenus peut se dégrader.
- **Selon le type et l'utilisation de l'accessoire, il est possible que des particules, l'outil d'usinage et des pièces de l'outil d'usinage se détachent. Le dégagement de poussière peut augmenter et des mouvements inattendus sont possibles.** Portez des équipements de protection individuelle appropriés. Attendez-vous à un couple de réaction élevé pouvant entraîner une rotation de l'outil électroportatif et provoquer des blessures.


3.3 Consignes de sécurité relatives à l'utilisation de forets longs

- **N'utilisez jamais l'appareil à une vitesse supérieure à la vitesse maximale autorisée pour le foret.** À des vitesses élevées, le foret risque facilement de se plier s'il peut tourner sans toucher la pièce, ce qui est susceptible de provoquer des blessures.
- **Commencez toujours à percer à une vitesse peu élevée et pendant que le foret est en contact avec la pièce.** À des vitesses

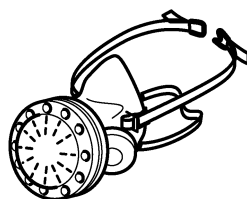
élevées, le foret risque facilement de se plier s'il peut tourner sans toucher la pièce, ce qui est susceptible de provoquer des blessures.

- **Veillez à ne pas exercer de pression excessive, et seulement dans le sens longitudinal par rapport au foret.** Les forets peuvent se plier puis se rompre ou entraîner une perte de contrôle et provoquer des blessures.

3.4 La poussière, un risque pour la santé

 **AVERTISSEMENT!** certaines poussières créées par le ponçage mécanique, le sciage, le meulage, le perçage et autres activités reliées à la construction contiennent des substances chimiques connues (dans l'État de la Californie) comme pouvant causer le cancer, des anomalies congénitales ou représenter d'autres dangers pour la reproduction. Voici quelques exemples de telles substances:

- plomb provenant de peintures à base de plomb,
- silice cristallisée utilisée dans les briques, le ciment et autres matériaux de maçonnerie, et
- arsenic et chrome du bois d'oeuvre traité avec un produit chimique.



Le risque d'exposition à de tels produits varie selon la fréquence à laquelle vous faites ce genre de travail. Pour réduire les risques d'exposition à ces substances chimiques : travaillez dans un endroit adéquatement ventilé et utilisez un équipement de sécurité approuvé, tel que masques antipoussières spécialement conçus pour filtrer les particules microscopiques.



AVERTISSEMENT

POUR RÉDUIRE LE RISQUE DE DOMMAGES, L'UTILISATEUR DOIT LIRE LE MANUEL D'INSTRUCTION.

4 Utilisation conforme

Perceuse-visseuse sans fil convient

- pour le perçage dans les matériaux suivants : métal, bois, plastique et autres matériaux similaires,
- pour le vissage et le serrage de vis.

- pour l'utilisation avec les batteries Festool de la série BP de catégorie de tension identique.



L'utilisateur est responsable des dommages et accidents dus à une utilisation non conforme, y compris des dommages et de l'usure résultant d'une utilisation industrielle continue.

5 Caractéristiques techniques

Perceuse-visseuse sans fil		CXS 18, TXS 18
Tension du moteur		18 V \equiv
Vitesse de rotation à vide*	1ère vitesse	0 - 470 min ⁻¹
	2e vitesse	0 - 1600 min ⁻¹
Couple max.	pour vissage dans un matériau souple (bois)	22 Nm
	pour vissage dans un matériau dur (métal)	40 Nm
Couple réglable**	1ère vitesse	1,1 – 8 Nm
	2e vitesse	0,4 – 2,3 Nm
Plage de serrage du mandrin de perçage		1/16"–3/8" (1,0–10 mm)***
Diamètre de perçage max.	Bois	1-3/8" (35 mm)
	Métal	3/8" (10 mm)
Vissage dans l'épicéa	jusqu'au Ø	1/4" (6 mm)
Porte-outil dans la broche de perçage		1/4"
Poids avec mandrin de perçage et clip ceinture, sans batterie.		2,2 lbs (1 kg)

* Données de vitesse de rotation avec batterie entièrement chargée.

** À de faibles couples, la vitesse de rotation maximale est réduite (valeurs en rotation à droite).

*** Les données se rapportent à la plage de serrage du mandrin de perçage fourni. Il est également possible d'utiliser des mandrins de perçage Festool de 1/2" (13 mm).

6 Description fonctionnelle

- [1-1]** Touche d'extraction de la batterie
- [1-2]** Bouton témoin de charge de la batterie
- [1-3]** Témoin de charge
- [1-4]** Témoin LED
- [1-5]** Interrupteur marche/arrêt
- [1-6]** Bouton de sélection de vitesse
- [1-7]** Commutateur de rotation à droite/gauche et de blocage antidémarrage/verrouillage de transport
- [1-8]** Poignée

- [1-9]** Molette pour couple/perçage/éclairage constamment allumé et constamment éteint
- [1-10]** Clip pour ceinture
- [1-11]** Compartiment pour embouts
- [1-12]** Surfaces de préhension isolées (parties hachurées)

Les accessoires illustrés ou décrits ne font pas tous partie des éléments livrés.


Les images décrivant les éléments fonctionnels se trouvent sur une page dépliante au début du manuel d'utilisation. Pendant la lecture du manuel, vous pouvez vous référer rapidement à la page en la dépliant et procéder ainsi à des comparaisons.

7 Batterie

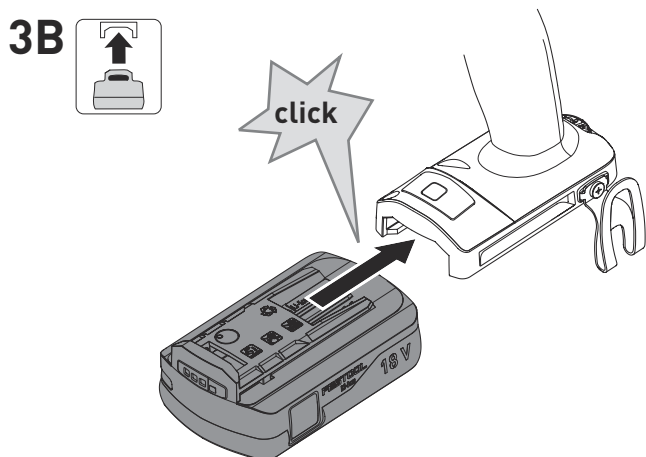
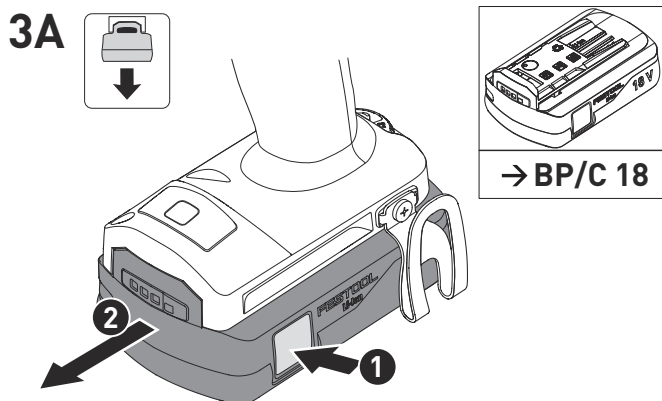
Vérifiez la propreté du logement avant d'insérer la batterie. En présence de saletés dans le logement de batterie, il risque d'y avoir un mauvais contact électrique et les contacts risquent d'être endommagés.

Un mauvais contact électrique peut provoquer la surchauffe et la détérioration de l'outil électroportatif.

[3A] Retirer la batterie.

[3B]  Insérer la batterie - jusqu'à son enclenchement.

i Vous trouverez des informations supplémentaires sur le chargeur et la batterie à l'indicateur de charge dans les notices d'utilisation de ces deux éléments.



8 Mise en service



ATTENTION

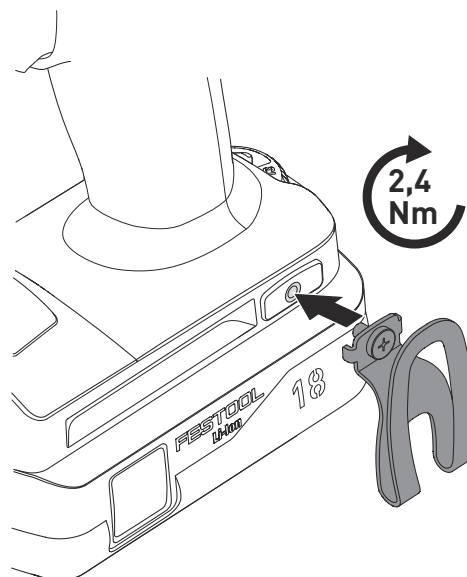
Risques de blessures

- Procéder aux opérations de montage uniquement lorsque l'outil électroportatif est éteint !

8.1 Clip pour ceinture [1-10]

Le clip pour ceinture permet une fixation rapide de l'outil électroportatif aux vêtements de travail. Le montage est possible à droite ou à gauche de l'outil électroportatif au moyen de la vis **[4]**.

4



8.2 Mise en marche/à l'arrêt [1-5]

Appuyer = MARCHÉ, relâcher = ARRÊT

i La vitesse de rotation est modulable en continu selon la pression exercée sur l'interrupteur marche/arrêt.

Placez l'interrupteur pour marche droite/gauche **[1-7]** en position médiane pour bloquer l'interrupteur marche/arrêt.

La lampe LED **[1-4]** s'allume lorsque l'interrupteur marche/arrêt **[1-5]** est enfoncé, voir chapitre 9.4.

9 Réglages



ATTENTION

Risque de blessures

- Réglages à effectuer uniquement quand l'outil électroportatif est à l'arrêt !

9.1 Changement de sens de rotation [1-7]

- Commutateur vers la gauche = rotation à droite
- Commutateur vers la droite = rotation à gauche

9.2 Changement de vitesse


Le sélecteur de vitesse **[1-6]** permet de changer de vitesse lorsque l'outil électroportatif est éteint.

9.3 Réglage du couple [1-9]

Vissage


- Régler le couple avec la molette [1-9].
- Vérifier le couple en effectuant un test de vissage dans un morceau de la même matière.
- Toujours contrôler le résultat obtenu.

① Position 1 = couple faible
Position 13 = couple élevé

① Si la température de l'outil électroportatif est inférieure à 0 °C, les valeurs de couple de coupe peuvent être différentes. Faire fonctionner l'outil électroportatif en marche à vide (molette sur le symbole de foret ) jusqu'à ce qu'il se soit réchauffé.


Signal sonore lorsque le couple sélectionné est atteint, l'outil électroportatif s'éteint. Pour pouvoir redémarrer l'outil électroportatif, vous devez relâcher l'interrupteur marche/arrêt [1-5] puis appuyer à nouveau dessus.


Perçage


Repère dirigé vers le symbole de foret  = couple maximal.

9.4 Réglage de l'éclairage [1-9]

Configurer l'éclairage avec la molette [1-9].

Le repère est dirigé vers la position 1 à 13 ou le symbole de foret . La lampe LED [1-4] s'allume et s'éteint automatiquement lorsque l'outil électroportatif est mise en marche et à l'arrêt. Après la mise à l'arrêt, la lampe LED reste allumée un court instant.

 **Le repère est dirigé vers Éclairage longue durée Marche / Couple maximal.** Appuyer brièvement sur l'interrupteur marche/arrêt [1-5] pour enclencher l'éclairage LED longue durée. Au bout de 10 minutes, la lampe LED s'éteint automatiquement.

 **Le repère est dirigé vers Éclairage longue durée Arrêt / Couple maximal.** La lampe LED reste éteinte.

9.5 Application Festool Work*

L'outil électroportatif peut être configuré à l'aide de l'application Festool Work.

① Connexion de la batterie via Bluetooth®, voir notice d'utilisation de la batterie.

* N'est pas disponible dans chaque pays.

10 Porte-outil, appareils à monter



AVERTISSEMENT

Verletzungsgefahr

- Nehmen Sie vor allen Arbeiten am Elektrowerkzeug den Akkupack vom Elektrowerkzeug ab.



ATTENTION

Risque de blessures dû à l'outil d'usage chaud et tranchant

- Ne pas monter d'outils d'usage émoussés ou défectueux.
- Se munir de gants de protection pour manipuler l'outil d'usage.

① **Avant la première utilisation :** appliquer un peu de graisse universelle sur la broche de perçage.

10.1 Mandrin CENTROTEC [5]

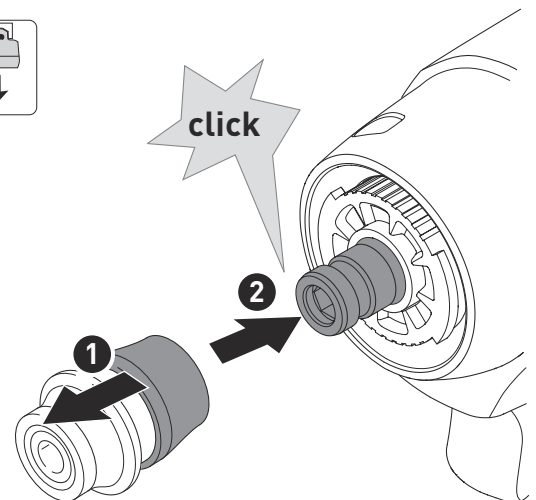
La tige CENTROTEC permet un remplacement rapide des outils amovibles.

AVERTISSEMENT ! Serrer les outils amovibles CENTROTEC uniquement dans un mandrin CENTROTEC.

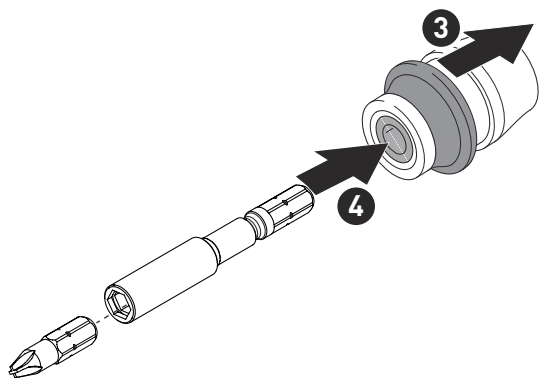


Portez des gants de protection lors du remplacement !

5



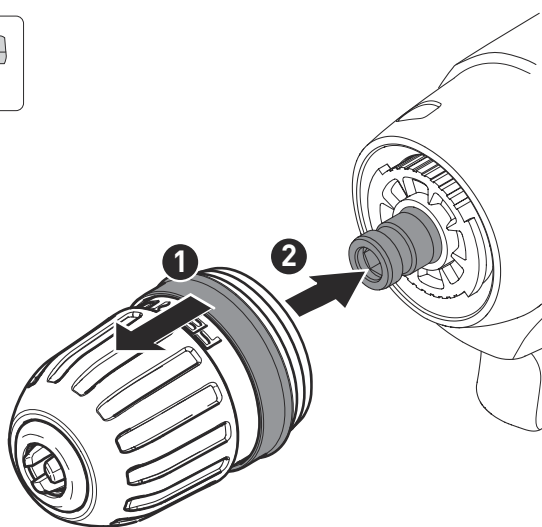
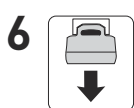
WH-CE
CENTROTEC®



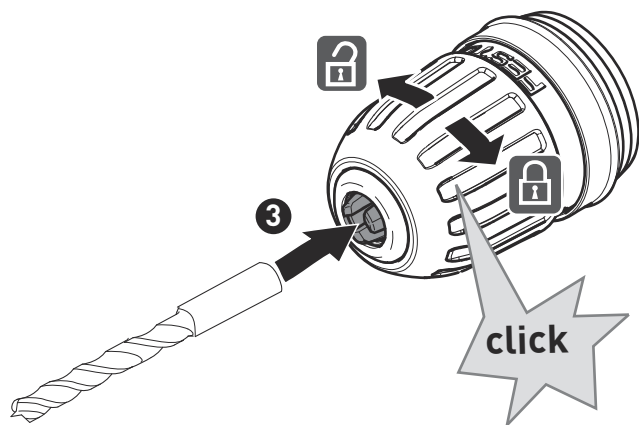
10.2 Mandrin de perçage [6]

Pour le serrage de forets et d'embouts d'un diamètre de tige max. de 3/8" (10 mm).

AVERTISSEMENT ! Serrer l'outil amovible au centre du mandrin de perçage.

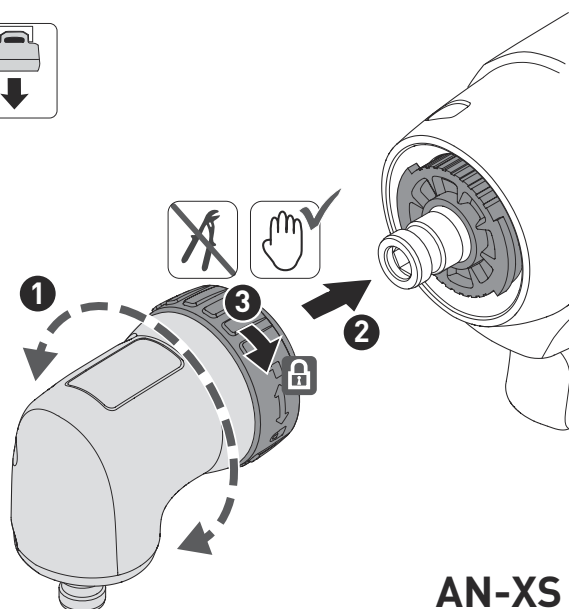
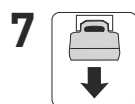


BF-FX 10



10.3 Renvoi d'angle [7]

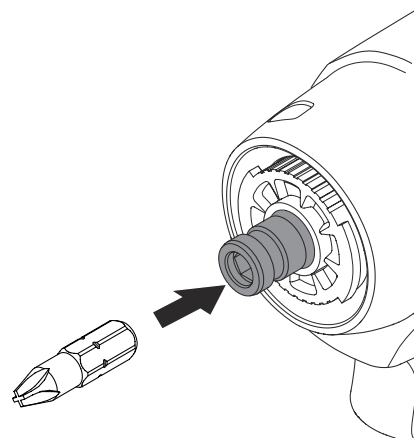
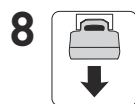
Perçage et vissage en angle droit par rapport à l'outil électroportatif (accessoire dans certains cas).



AN-XS

10.4 Porte-outil dans la broche de perçage [8]

Les embouts peuvent être montés directement dans le logement six pans creux de la broche de perçage.



11 Utilisation de l'outil électroportatif



AVERTISSEMENT

Risques de blessures

- ▶ Placer l'outil électroportatif sur la vis uniquement lorsqu'il est éteint !
- ▶ Fixer la pièce à travailler de manière à ce qu'elle ne puisse pas bouger pendant l'utilisation de l'appareil.
- ▶ Tenir les mains à l'écart de l'outil amovible en rotation.



ATTENTION

Risque de brûlures

Le porte-outil et l'outil amovible peuvent devenir très chauds pendant l'utilisation !

- Les laisser refroidir avant d'accrocher l'appareil au clip pour ceinture.

11.1 Logement pour embouts [1-11]



ATTENTION




Risques de blessures dues à des copeaux métalliques dans le logement pour embouts.

- Nettoyer régulièrement le logement pour embouts et retirer les copeaux.

Aimanté, pour la fixation d'embouts ou de porte-embouts.

12 Signaux d'avertissement

Des signaux d'avertissement sont émis dans les états de fonctionnement suivants et l'outil électroportatif se coupe :

Signal sonore	Cause	Mesure à prendre
Un seul signal sonore. 	Batterie vide/incompatible.	Recharger/remplacer la batterie.
	Surcharge de l'outil électroportatif.	Réduire la charge de l'outil électroportatif.
	À l'actionnement de l'interrupteur marche/arrêt : Surchauffe de l'outil électroportatif.	Laisser l'outil électroportatif refroidir avant de le remettre en marche.
Deux signaux sonores. 	Le couple choisi a été atteint.	-
Signal sonore continu. 	L'outil électroportatif est défectueux.	Contactez le fabricant en vue de l'élimination du défaut.

13 Entretien et maintenance



AVERTISSEMENT

Risques de blessures, choc électrique

- Retirez systématiquement la batterie de la machine avant tous les travaux de maintenance et d'entretien !



AVERTISSEMENT

Tout travail de maintenance ou de réparation, qui nécessite l'ouverture du moteur ou du carter d'engrenages doit uniquement être effectué par un centre service-client autorisé (nom fourni par votre revendeur) !

- Les travaux de maintenance ou de réparation effectués par un personnel non autorisé peuvent conduire à la mauvaise connexion de câbles d'alimentation ou d'autres composants, ce qui peut entraîner à son tour des accidents avec des conséquences graves.



ATTENTION

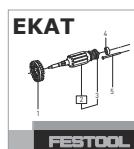
Certains produits nettoyants et solvants sont nocifs pour les pièces en plastique.

- Quelques exemples de produit nocif : essence, acétone, méthyléthylcétone (MEK), chlorure de carbonyle, solutions nettoyantes contenant du chlore, de l'ammoniac et les produits ménagers contenant de l'ammoniac.



Service après-vente et réparation uniquement par le fabricant ou des ateliers homologués. Pour trouver l'adresse la plus proche :

www.festoolusa.com/service



Utiliser uniquement des pièces détachées Festool d'origine ! Réf. sur : www.festoolusa.com/service

Pour assurer la circulation de l'air, il est impératif que les ouïes de ventilation du carter moteur soient maintenues dégagées et propres.

Veiller à ce que les contacts de branchement sur l'outil électroportatif, le chargeur et la batterie restent propres.

Vérifier que les avertissements figurant sur l'outil électroportatif sont lisibles et au complet. Remplacer les avertissements manquants ou illisibles.

14 Accessoires

Utilisez uniquement les accessoires Festool et consommables Festool d'origine prévus pour cette machine, car ces composants systèmes sont parfaitement adaptés les uns par rapport aux autres. Si vous utilisez des accessoires et consommables d'autres marques, la qualité du résultat peut être dégradée et les recours en garantie peuvent être soumis à des restrictions. L'usure de la machine ou votre charge personnelle peuvent augmenter selon chaque application. Pour cette raison, protégez-vous, votre machine et vos droits à la garantie en utilisant exclusivement des accessoires Festool et des consommables Festool d'origine !


Vous trouverez les références des accessoires et des outils dans votre catalogue Festool ou sur Internet à l'adresse www.festoolusa.com.

14.1 SYSTAINER


Systainer

De nombreux produits Festool sont fournis dans une caisse exclusive, appelée "Systainer". Celle-ci permet de protéger et de ranger des outils et des appareils complémentaires. Les Systainer sont empilables et peuvent être solidarisés. En outre, il se fixent sur les aspirateurs CT Festool.

Pour ouvrir le Systainer

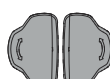
 Tournez le T-loc [SYS-b-1] à cette position.

Pour fermer le Systainer


 Tournez le T-loc [SYS-b-1] à cette position.

Pour connecter deux Systainers

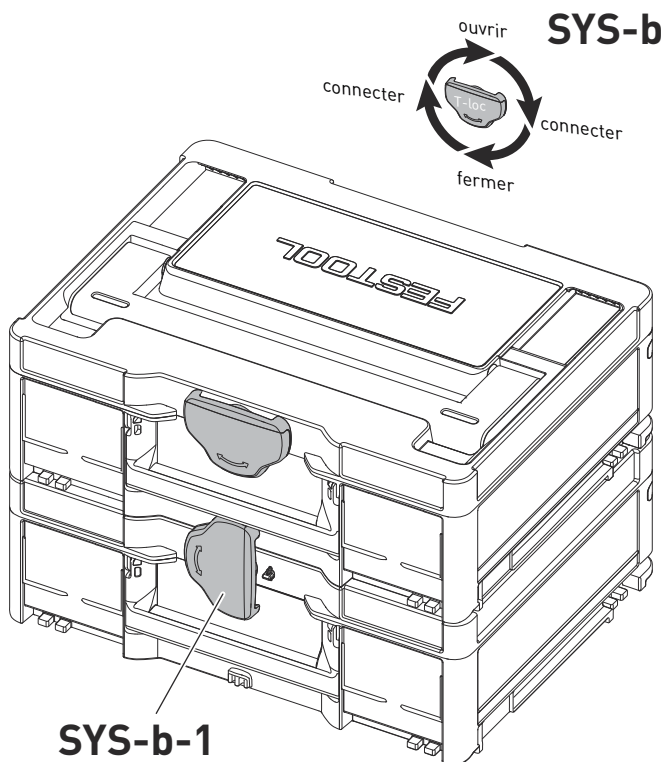
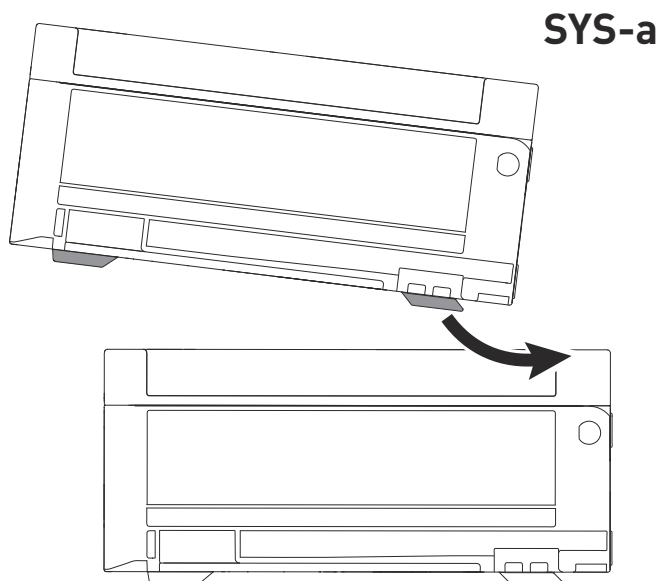
Placez un Systainer au dessus de l'autre [SYS-a].

 Tournez le T-loc [SYS-b-1] à une de cette positions (Fig. [SYS-b]).

Les Systainers sont combinés.

 Un Systainer Classic Line peut être relié par en bas à un Systainer T-Loc ou à un Systainer³ avec ses quatre éléments de verrouillage

Un Systainer T-Loc peut être relié à un Systainer³ à la fois par le bas et par le haut.



15 Environnement

Ne jetez pas l'appareil avec les ordures ménagères ! Eliminez l'appareil, les accessoires et les emballages de façon compatible avec l'environnement. Respectez les prescriptions nationales en vigueur.

Mise au rebut des batteries



AVERTISSEMENT

Risque d'incendie ou de blessures

- ▶ Ne tentez pas de désassembler la batterie ou d'enlever tout composant faisant saillie des bornes de batterie.
- ▶ Avant la mise au rebut, protégez les bornes exposées à l'aide d'un ruban isolant épais pour prévenir le court-circuitage.

16 Remarques générales

16.1 Bluetooth®

La marque verbale Bluetooth® et les logos sont des marques déposées de Bluetooth SIG, Inc. et sont utilisés sous licence par TTS Tooltechnic Systems AG & Co. KG et donc par Festool GmbH.




Índice de contenidos

1	Sobre este manual.....	28
2	Símbolos.....	28
3	Indicaciones de seguridad.....	29
4	Uso conforme a lo previsto.....	32
5	Datos técnicos.....	33
6	Descripción de las funciones.....	33
7	Batería.....	33
8	Puesta en servicio.....	34
9	Ajustes.....	34
10	Alojamiento de herramienta, accesorios de prolongación.....	35
11	Trabajo con la herramienta eléctrica.....	36
12	Señales de advertencia.....	37
13	Mantenimiento y cuidado.....	37
14	Accesorios.....	38
15	Medio ambiente.....	38
16	Observaciones generales.....	39




1 Sobre este manual

Guarde estas instrucciones

Es importante que usted lea y entienda este manual. La información que contiene se relaciona con la protección de **su seguridad y la prevención de problemas**. Los símbolos que siguen se utilizan para ayudarlo a reconocer esta información.

	PELIGRO	Descripción de peligro inminente y fracaso para evitar riesgos que podran causar la muerte.
	ADVERTENCIA	Descripción de peligro y posibles lesiones resultantes o la muerte.
	PRECAUCIÓN	Descripción de peligro y posibles lesiones resultantes.
	AVISO	Descripción de los posibles daños en el dispositivo o en su entorno.

2 Símbolos

	Aviso de peligro general
	Peligro de electrocución
	¡Leer el manual de instrucciones y las indicaciones de seguridad!



Usar protección para los oídos



Utilizar protección respiratoria.



Utilizar gafas de protección



Deben usarse guantes de protección al cambiar de herramienta.



Insertar la batería.



Extraer la batería.



El montaje debe ser manual.



Consejo, indicación



Guía de procedimiento



Diámetro

V

Voltio



d.c tensión continua

n_0

Revoluciones por minuto en vacío

rpm
min⁻¹

Revoluciones por minuto

min

Minutos

Nm

Newton metro

mm

Milímetro

"

Pulgada

lb.

Libras

kg

Kilogramo

°F

grados Fahrenheit

°C

centígrados



PRECAUCIÓN Para uso solamente con las baterías FESTOOL BP 18

3 Indicaciones de seguridad

3.1 Instrucciones generales de seguridad para herramientas eléctricas



¡ADVERTENCIA! Leer todas las indicaciones de seguridad, instrucciones, ilustraciones y datos técnicos que acompañan a esta herramienta eléctrica. Si no se cumplen debidamente las instrucciones siguientes, puede producirse una descarga eléctrica, quemaduras o lesiones graves.

Guarde todas las indicaciones de seguridad e instrucciones para que sirvan de futura referencia.

El término «herramienta eléctrica» empleado en las indicaciones de seguridad hace referencia a herramientas eléctricas conectadas a la red eléctrica (con un cable de red) o a herramientas eléctricas alimentadas con batería (sin cable de red).

1 SEGURIDAD EN EL LUGAR DE TRABAJO

- Mantenga su zona de trabajo limpia y bien iluminada.** El desorden o la falta de iluminación en las zonas de trabajo pueden dar lugar a accidentes.
- No trabaje con la herramienta eléctrica en entornos potencialmente explosivos donde se encuentren líquidos, gases o polvos inflamables.** Las herramientas eléctricas producen chispas que pueden inflamar el polvo o los vapores.
- Mantenga a niños y adultos alejados de la herramienta eléctrica durante el uso.** Si se distrae, puede perder el control de la herramienta eléctrica.

2 SEGURIDAD ELÉCTRICA

- El conector de la herramienta eléctrica debe encajar en el enchufe. El conector no debe modificarse en modo alguno. No utilice conectores adaptadores con herramientas eléctricas con puesta a tierra.** Unos conectores intactos y unos enchufes adecuados reducen el riesgo de descarga eléctrica.
- Evite el contacto físico con superficies con puesta a tierra como las de tuberías, calefacciones, cocinas y frigoríficos.** Existe un riesgo elevado de descarga eléctrica si su cuerpo está en contacto con la tierra.
- Mantenga las herramientas eléctricas lejos de la lluvia y la humedad.** La penetración de agua en una herramienta eléctrica aumenta el riesgo de descarga eléctrica.

- No utilice el cable de conexión para transportar o colgar la herramienta eléctrica ni para extraer el conector del enchufe. Mantenga el cable de conexión alejado del calor, aceite, cantos afilados o piezas en movimiento.** Los cables de conexión dañados o enredados aumentan el riesgo de descarga eléctrica.
- Si trabaja con una herramienta eléctrica al aire libre, utilice únicamente alargadores aptos para el uso en exteriores.** El empleo de alargadores aptos para el uso en exteriores reduce el riesgo de descarga eléctrica.
- Cuando sea inevitable el uso de la herramienta eléctrica en un entorno húmedo, utilice un interruptor diferencial.** El uso de un interruptor diferencial reduce el riesgo de que se produzca una descarga eléctrica.

3 SEGURIDAD DE LAS PERSONAS

- Sea cuidadoso, preste atención a lo que está haciendo y actúe con prudencia al trabajar con herramientas eléctricas. No utilice ninguna herramienta eléctrica si está cansado o bajo los efectos de drogas, alcohol o medicamentos.** Una mínima distracción mientras está utilizando la herramienta eléctrica puede ocasionarle graves lesiones.
- Lleve puesto el equipo de protección individual y utilice gafas de protección en todo momento.** El empleo del equipamiento de protección personal como p. ej. mascarilla, guantes de seguridad antideslizantes, casco o protección de oídos, según el tipo y la aplicación de la herramienta eléctrica, reduce el riesgo de lesiones.
- Evite un arranque accidental de la herramienta. Asegúrese de que está desconectada antes de conectarla al suministro de corriente o la batería, recogerla o transportarla.** Existe peligro de accidente si transporta la herramienta eléctrica con el dedo sobre el interruptor o si conecta la herramienta eléctrica a la red estando encendida.
- Retire las herramientas de ajuste y las llaves de tornillos antes de conectar la herramienta eléctrica.** Si una herramienta o llave se encuentra en una pieza en movimiento de la herramienta eléctrica, pueden producirse lesiones.
- Evite una postura anormal del cuerpo. Procure un apoyo seguro y mantenga el**

- equilibrio en todo momento.** De esta manera podrá controlar mejor la herramienta eléctrica en situaciones inesperadas.
- f. **Utilice ropa adecuada. No utilice ropa ancha ni objetos de joyería o bisutería. Mantenga el pelo y la ropa alejados de las piezas en movimiento.** La ropa holgada, las joyas o el pelo largo pueden quedar atrapados por piezas en movimiento.
 - g. **Si se montan dispositivos de aspiración o recogida de polvo, estos deberán conectarse y utilizarse correctamente.** El empleo de un sistema de aspiración del polvo puede disminuir los peligros a causa del polvo.
 - h. **No se cree un falso sentido de la seguridad ni ignore las normas de seguridad de las herramientas eléctricas, ni siquiera si está muy familiarizado con el uso de la herramienta.** Una distracción durante el manejo puede derivar en graves lesiones en cuestión de pocas fracciones de segundo.

4 USO Y MANEJO DE LA HERRAMIENTA ELÉCTRICA

- a. **No sobrecargue la herramienta eléctrica. Utilice la herramienta eléctrica adecuada para el trabajo que va a realizar.** Con la herramienta apropiada trabajará mejor y más seguro en el rango de potencia especificado.
- b. **No utilice ninguna herramienta eléctrica cuyo interruptor esté defectuoso.** Una herramienta eléctrica que no se pueda conectar o desconectar resulta peligrosa y es necesario repararla.
- c. **Extraiga el conector del enchufe o retire la batería extraíble antes de efectuar los ajustes de la herramienta, cambiar piezas o guardar la herramienta eléctrica.** Esta medida de seguridad impide el arranque accidental de la herramienta eléctrica.
- d. **Mantenga las herramientas eléctricas que no esté utilizando fuera del alcance de los niños. No permita que la herramienta eléctrica sea utilizada por personas que no estén familiarizadas con ella o no hayan leído las presentes indicaciones.** Las herramientas eléctricas en manos inexpertas pueden ser peligrosas.
- e. **Trate las herramientas eléctricas y las herramientas intercambiables con cuidado. Compruebe si las partes móviles funcionan correctamente y no se atascan, y si hay piezas rotas o tan deterioradas que**

podrían mermar el funcionamiento de la herramienta eléctrica. Haga reparar las piezas deterioradas antes de usar la herramienta eléctrica. Muchos accidentes tienen su origen en un mantenimiento deficiente de las herramientas eléctricas.

- f. **Mantenga las herramientas cortantes limpias y afiladas.** Las herramientas cortantes bien cuidadas con aristas de corte afiladas se atascan menos y se guían más fácilmente.
- g. **Utilice la herramienta eléctrica, las herramientas intercambiables, etc., de acuerdo con estas instrucciones. Para ello, tenga en cuenta las condiciones de trabajo y la actividad que debe realizar.** El uso de herramientas eléctricas en aplicaciones diferentes a las previstas puede dar lugar a situaciones peligrosas.
- h. **Mantenga las superficies de agarre y los mangos secos, limpios y libres de aceite y grasa.** Un mango o unas superficies de agarre resbaladizos no permiten un manejo y control seguros de la herramienta eléctrica en situaciones imprevistas.

5 USO Y MANEJO DE LA HERRAMIENTA A BATERÍA

- a. **Las baterías deben cargarse exclusivamente en cargadores recomendados por el fabricante.** Existe riesgo de incendio si un cargador apto para un determinado tipo de batería se utiliza con otras baterías.
- b. **Utilice solo las baterías previstas en las herramientas eléctricas en cuestión.** El uso de otras baterías puede provocar lesiones y riesgo de incendio.
- c. **Mantenga la batería que no utilice alejada de clips, monedas, llaves, clavos, tornillos o cualquier otro objeto metálico pequeño que pueda provocar el puenteo de los contactos.** Un cortocircuito entre los contactos de la batería puede causar quemaduras o fuego.
- d. **Si la batería se utiliza incorrectamente, pueden producirse fugas de líquido. Evite el contacto con este líquido. En caso de contacto accidental, enjuague con agua. Si el líquido entra en contacto con los ojos, busque además asistencia médica.** El líquido derramado de la batería puede causar irritaciones en la piel o quemaduras.
- e. **No utilice baterías dañadas o modificadas.** Una batería dañada o modificada puede presentar un comportamiento imprevisible

- y producir fuego o explosiones o entrañar peligro de lesiones.
- f. **No exponga las baterías al fuego ni a altas temperaturas.** El fuego o una temperatura por encima de 130 °C puede originar una explosión.
- g. **Siga todas las instrucciones para la carga y no cargue la batería ni la herramienta a batería fuera del rango de temperatura especificado en el manual de instrucciones.** Una carga incorrecta o fuera del rango de temperatura permitido puede dañar la batería e incrementar el peligro de incendio.

6 SERVICIO

- a. **Encargue la reparación de su herramienta eléctrica únicamente a personal técnico cualificado y solo con piezas de recambio originales.** De esta forma queda garantizada la seguridad de la herramienta eléctrica.
- b. **Nunca realice trabajos de mantenimiento en una batería dañada.** Únicamente el fabricante o los centros autorizados del Servicio de Atención al Cliente pueden llevar a cabo los trabajos de mantenimiento de las baterías.
- c. **Utilice exclusivamente piezas originales para la reparación y el mantenimiento de la herramienta.** El uso de accesorios o piezas de recambio no previstos puede producir descargas eléctricas o lesiones.

Tenga en cuenta el manual de instrucciones del cargador y de la batería.

3.2 Indicaciones de seguridad específicas

- **La herramienta eléctrica debe sujetarse por las superficies de agarre aisladas cuando se lleven a cabo trabajos en los que la herramienta de corte o los tornillos pudieran entrar en contacto con cables eléctricos ocultos.** El contacto con una conducción de corriente puede poner bajo tensión las piezas metálicas de la máquina y provocar una descarga eléctrica.
- **Utilice aparatos de exploración adecuados para detectar tuberías de abastecimiento ocultas o consulte a la compañía local de abastecimiento de energía.** El contacto de la herramienta con cables eléctricos puede provocar fuego y descargas eléctricas. Si se daña una tubería de gas, puede provocar una explosión. La penetración en una tubería de agua ocasiona daños materiales.

- **Mantenga la herramienta eléctrica alejada de campos magnéticos.** La herramienta eléctrica podría encenderse de forma inesperada y provocar lesiones.



- **Es imprescindible utilizar los equipos de protección individual adecuados:** protección de oídos, gafas de protección, mascarilla para trabajos que generen polvo.



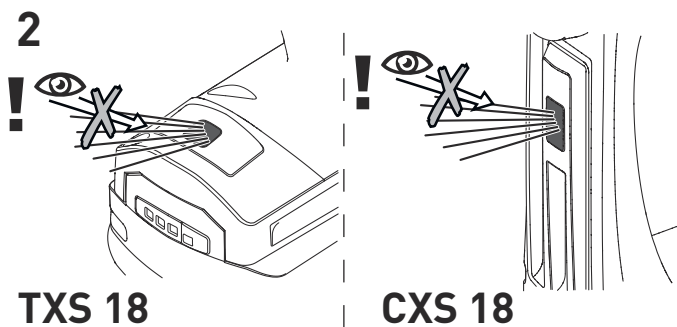
ATENCIÓN. La herramienta eléctrica puede bloquearse y provocar contragolpes repentinos ¡Desconectar de inmediato!

- **Sujete la herramienta eléctrica firmemente con una mano en la empuñadura [1-8] y mantenga la otra mano alejada de la zona de peligro. Ajuste correctamente el número de revoluciones al atornillar. Esté preparado ante un posible momento de reacción repentino,** que puede hacer girar la herramienta eléctrica y provocar lesiones.
- **No utilice la herramienta bajo la lluvia o en entornos húmedos.** La humedad puede provocar un cortocircuito en la herramienta y hacer que se incendie.
- **Esperar a que la herramienta eléctrica esté completamente parada antes de soltarla.** La herramienta podría engancharse y quedar fuera de control.
- **Evite que la máquina se encienda de forma involuntaria.** Transportar la herramienta eléctrica sujetándola con el dedo por el interruptor de conexión y desconexión puede provocar accidentes. Cuando no utilice la herramienta eléctrica, coloque el interruptor para el bloqueo de transporte [1-7] en posición central.
- No manipular ni bloquear los elementos de mando, p. ej., el interruptor de conexión y desconexión.
- **No utilizar fuentes de alimentación o baterías de otro fabricante con la herramienta eléctrica de batería. No utilizar cargadores de otro fabricante para cargar la batería.** El uso de accesorios no previstos por el fabricante puede provocar una descarga eléctrica o accidentes graves.



- **Peligro de daños por radiación luminosa. No mire prolongadamente al haz de luz. No dirija nunca el haz de luz hacia otras personas o hacia animales.** La radia-

ción óptica puede provocar daños en los ojos - [2].



- Al realizar trabajos que generen polvo, utilizar un sistema de aspiración de polvo.
- **No emplee herramientas insertables ni accesorios que no hayan sido previstas y recomendadas por el fabricante específicamente para esta herramienta eléctrica.** Solo por el hecho de que pueda fijar el accesorio o herramienta insertable a su herramienta eléctrica, no quiere decir que esté garantizado un empleo seguro. El riesgo de lesiones y el desgaste de la herramienta eléctrica pueden aumentar y la calidad de los resultados puede deteriorarse.
- **Según el tipo y uso de los accesorios, pueden desprenderse partículas, herramientas insertables y piezas de la herramienta. Esto puede dar lugar a una mayor producción de polvo y movimientos inesperados.** Deben utilizarse los equipos de protección individual adecuados. Esté preparado ante un posible momento de reacción repentino, que puede hacer girar la herramienta eléctrica y provocar lesiones.

3.3 Indicaciones de seguridad para el uso de brocas largas

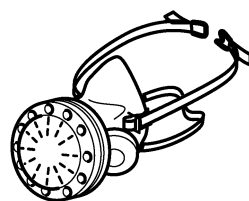
- **En ningún caso trabaje con un número de revoluciones mayor al número de revoluciones máximo admisible para la broca.** A revoluciones más elevadas, la broca podría doblarse ligeramente si gira libremente sin estar en contacto con la pieza de trabajo, lo que podría ser causa de lesiones.
- **Comience a taladrar siempre a un número de revoluciones bajo y con la broca en contacto con la pieza de trabajo.** A revoluciones más elevadas, la broca podría doblarse ligeramente si gira libremente sin estar en contacto con la pieza de trabajo, lo que podría ser causa de lesiones.
- **No ejerza demasiada presión y hágalo solo en sentido longitudinal a la broca.** Las bro-

cas pueden doblarse y romperse, o provocar una pérdida de control y lesiones.

3.4 Riesgos para la salud producidos por el polvo

ADVERTENCIA! algunos polvos creados por lijadoras motorizadas, aserraderos, trituradores, perforadoras y otras actividades de construcción contienen sustancias químicas que se sabe (en el Estado de California) causan cáncer, defectos de nacimiento u otros daños al sistema reproductivo. Algunos ejemplos de estas sustancias químicas son:

- Plomo de las pinturas con base de plomo,
- Sílice cristalino de los ladrillos y cemento y otros productos de mampostería, y
- Arsénico y cromo de madera tratada con sustancias químicas.



El riesgo de exposición a estas sustancias varía, dependiendo de cuantas veces se hace este tipo de trabajo. Para reducir el contacto con estas sustancias químicas: trabaje en un área con buena ventilación y trabaje con equipo de seguridad aprobado, como mascarillas para el polvo diseñadas específicamente para filtrar partículas microscópicas.



ADVERTENCIA

PARA REDUCIR EL RIESGO DE LESIÓN, EL USUARIO DEBE LEER EL MANUAL DE INSTRUCCIÓN.

4 Uso conforme a lo previsto

Taladro atornillador a batería apto

- para taladrar en metal, madera, plásticos y materiales similares,
- para atornillar y apretar tornillos.
- para utilizar con las baterías Festool de la serie BP de la misma clase de tensión.



El usuario responderá de los daños y accidentes causados por un uso inadecuado; esto incluye también daños y desgaste por funcionamiento industrial continuo.

5 Datos técnicos

Taladro atornillador a batería		CXS 18, TXS 18
Tensión del motor		18 V \equiv
Número de revoluciones en vacío*	1.ª velocidad	0 - 470 min ⁻¹
	2.ª velocidad	0 - 1600 min ⁻¹
Par de giro máx.	Atornillado suave (madera)	22 Nm
	Atornillado duro (metal)	40 Nm
Par de giro regulable**	1.ª velocidad	1.1 - 8 Nm
	2.ª velocidad	0.4 - 2.3 Nm
Margen de sujeción del portabrocas		1/16"-3/8" (1.0-10 mm)***
Diámetro de perforación máx.	Madera	1-3/8" (35 mm)
	Metal	3/8" (10 mm)
Atornillar en abeto rojo	hasta Ø	1/4" (6 mm)
Alojamiento de herramienta en el husillo de taladrar		1/4"
Peso con portabrocas y enganche de cinturón, sin batería.		2.2 lbs (1 kg)

* Número de revoluciones con la batería totalmente cargada.

** En los niveles del par de giro inferiores, el número de revoluciones máximo disminuye (valores con giro a la derecha).

*** La indicación se refiere al margen de sujeción del portabrocas en el suministro. Los portabrocas 1/2" (13 mm) de Festool también pueden utilizarse.

6 Descripción de las funciones

- [1-1]** Teclas para soltar la batería
- [1-2]** Tecla de indicación de la capacidad en la batería
- [1-3]** Indicación de la capacidad
- [1-4]** Lámpara LED
- [1-5]** Interruptor de conexión y desconexión
- [1-6]** Interruptor de velocidad
- [1-7]** Interruptor de marcha a derecha/izquierda y bloqueo de conexión/transporte
- [1-8]** Empuñadura
- [1-9]** Rueda de ajuste de par de giro/taladrado/iluminación permanente conectada y desconectada
- [1-10]** Clip de cinturón

[1-11] Compartimento para puntas

[1-12] Superficies de agarre con aislamiento (zona sombreada en gris)

Los accesorios representados o descritos no forman parte íntegra de la dotación de suministro.


Las imágenes de la descripción del funcionamiento se encuentran en una página desplegable al principio del manual de instrucciones. Al leer el manual se puede desplegar la página para comparar y consultar las imágenes.

7 Batería

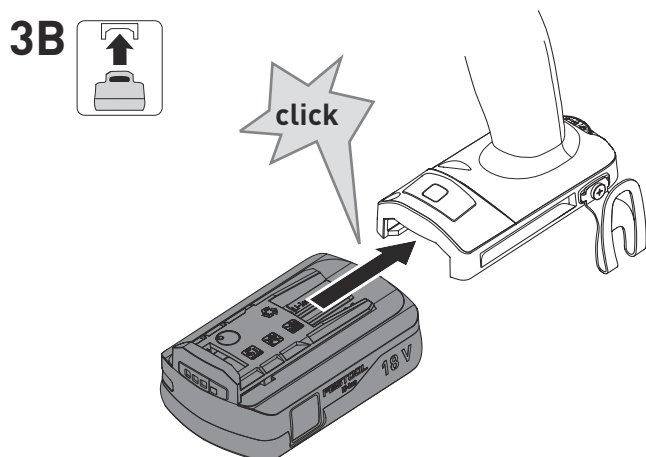
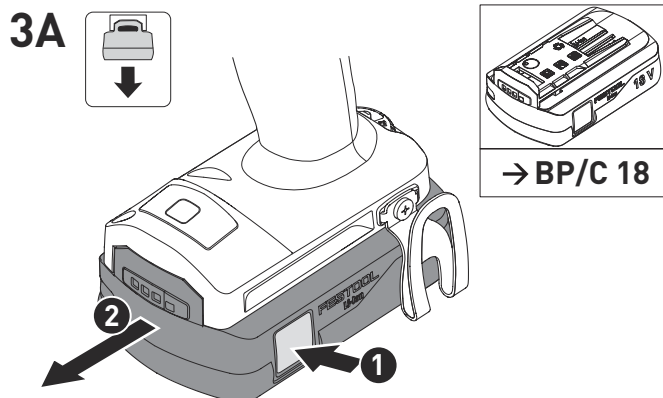
Antes de colocar la batería, comprobar que la conexión de la batería esté limpia. La suciedad en la conexión de la batería puede impedir el contacto correcto y dañar los contactos.

El contacto defectuoso puede ocasionar el sobrecalentamiento y daños en la herramienta.

[3A] Extraer la batería.

[3B]  Colocar la batería, hasta que encaje.

i Hallará más información sobre el cargador y la batería con indicación de la capacidad en el manual de instrucciones del cargador y de la batería.



8 Puesta en servicio



PRECAUCIÓN

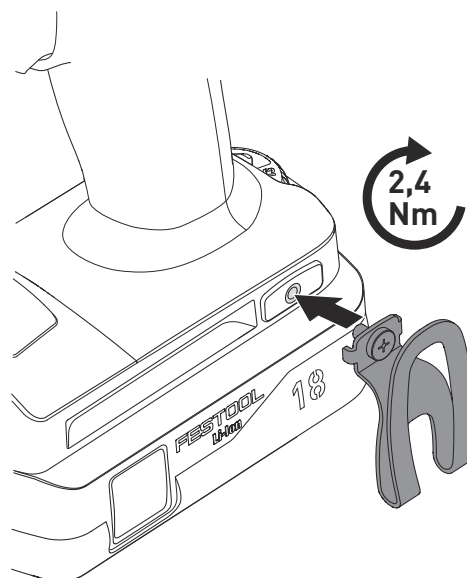
Peligro de lesiones

- El montaje solo debe realizarse con la herramienta eléctrica desconectada.

8.1 Enganche de cinturón [1-10]

El enganche de cinturón permite fijar brevemente la herramienta eléctrica a la ropa de trabajo. El montaje puede realizarse tanto en el lado derecho como en el izquierdo de la herramienta eléctrica mediante un tornillo [4].

4



8.2 Encendido y apagado [1-5]

Presionar = encendido, soltar = apagado

i El número de revoluciones puede controlarse de forma continua mediante la presión ejercida en el interruptor de conexión y desconexión.

Poner el interruptor de marcha a derecha/izquierda [1-7] en posición central para bloquear el interruptor de conexión y desconexión. La lámpara LED [1-4] se enciende al pulsar el interruptor de conexión y desconexión [1-5], véase el capítulo 9.4.

9 Ajustes



PRECAUCIÓN

Peligro de lesiones

- Ajustes solo con la herramienta eléctrica desenchufada

9.1 Cambio de sentido de giro [1-7]

- Interruptor hacia la izquierda = marcha a la derecha
- Interruptor hacia la derecha = marcha a la izquierda

9.2 Cambio de velocidad

Con el interruptor de velocidades [1-6], puede cambiarse de engranaje con la herramienta eléctrica desconectada.


9.3 Ajustar el par de giro [1-9]

Atornillar

- Ajustar el par de giro en la [1-9] rueda de ajuste.
- Asegure el par de giro mediante un atornillado de prueba en una pieza del mismo material.


- Compruebe siempre los resultados de trabajo.

❶ Posición 1 = par de giro bajo
Posición 13 = par de giro alto

❶ Si la temperatura de la herramienta eléctrica es inferior a 0 °C, los valores de corte del par de giro pueden diferir.  Ponga la herramienta eléctrica en marcha en vacío (rueda de ajuste en el símbolo de la broca) hasta que se haya calentado.

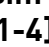
Señal sonora al alcanzar el par de giro ajustado, la herramienta eléctrica se apaga. La herramienta eléctrica vuelve a encenderse después de soltar y pulsar otra vez el interruptor de conexión y desconexión [1-5].


Taladrar

La marca apunta al símbolo de taladrado  = par de giro máximo.

9.4 Ajuste de la iluminación [1-9]

Configurar la iluminación con la rueda de ajuste [1-9].

La marca apunta a la posición 1 a 13, o al símbolo de taladrado . La lámpara LED [1-4] se enciende o apaga automáticamente con la herramienta eléctrica. Tras la desconexión, la lámpara LED permanece encendida brevemente.

 **La marca apunta a Iluminación permanente conectada/Par de giro máximo.**

Pulsar brevemente el interruptor de conexión y desconexión [1-5] para encender la lámpara LED de manera permanente. Tras 10 minutos, la lámpara LED se apaga automáticamente.

 **La marca apunta a Iluminación permanente desconectada/Par de giro máximo.**

La lámpara LED está apagada de forma permanente.

9.5 App Festool Work*

Con la app Festool Work puede configurarse la herramienta eléctrica.

❶ Conexión de la batería mediante Bluetooth®, véase el manual de instrucciones de la batería.

* No disponible para todos los países.

10 Alojamiento de herramienta, accesorios de prolongación



ADVERTENCIA

Peligro de lesiones

- Antes de llevar a cabo cualquier trabajo en la herramienta eléctrica, retirar de esta la batería.



PRECAUCIÓN

Riesgo de lesiones con herramientas calientes y afiladas

- No utilizar herramientas romas o defectuosas.
- Usar guantes de protección al manejar la herramienta.

❶ **Antes del primer uso:** Aplicar un poco de grasa multiusos en el husillo de taladrar.

10.1 Mandril CENTROTEC [5]

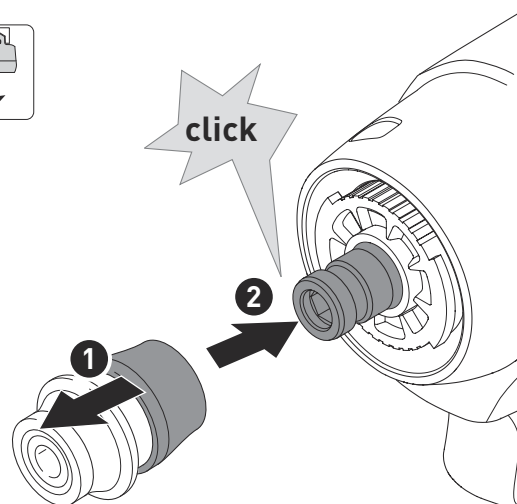
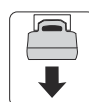
Cambio rápido de herramientas con vástago CENTROTEC.

ADVERTENCIA! Las herramientas CENTROTEC deben fijarse exclusivamente en mandriles CENTROTEC.

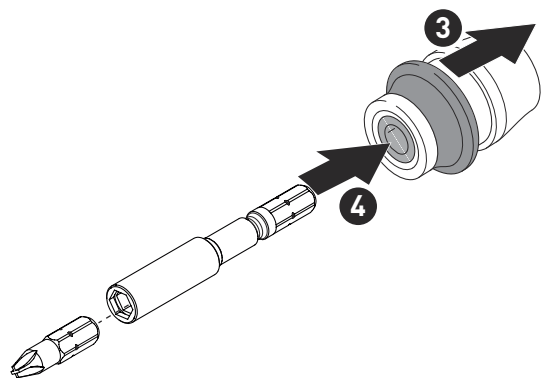


Utilizar guantes de protección para el cambio.

5



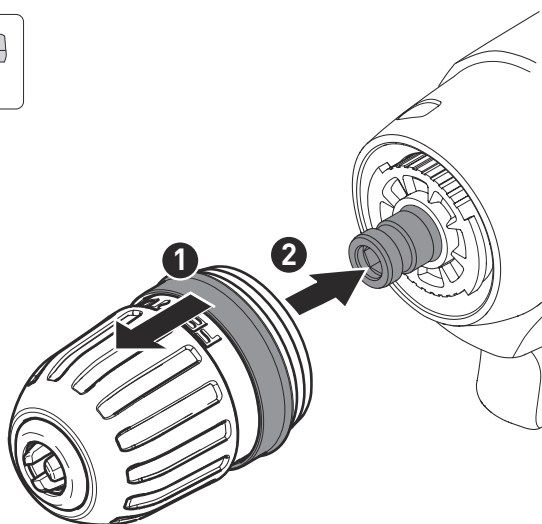
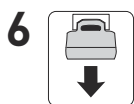
WH-CE
CENTROTEC®



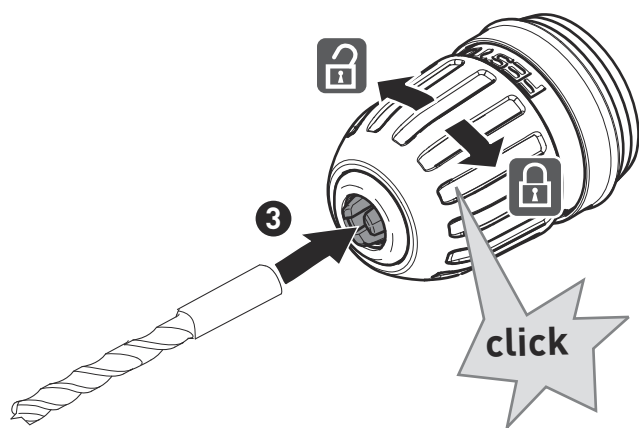
10.2 Portabrocas [6]

Para la sujeción de brocas y puntas de destornillador con un diámetro del vástago máximo de 3/8" (10 mm).

ADVERTENCIA! Fijar la herramienta centrada en el portabrocas.

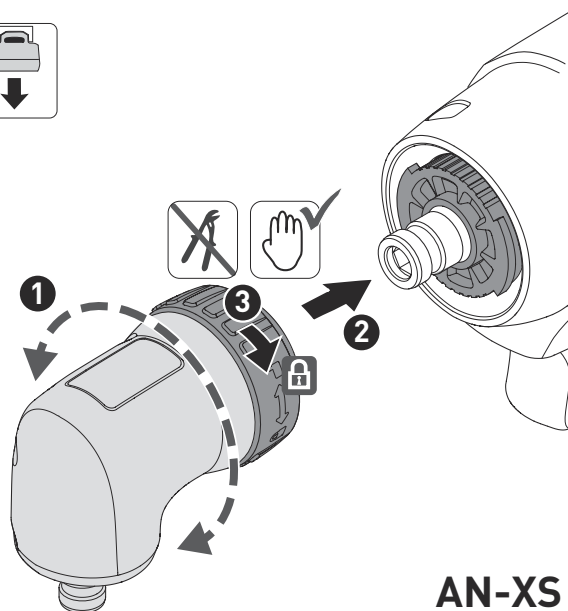
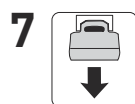


BF-FX 10



10.3 Ángulo adicional [7]

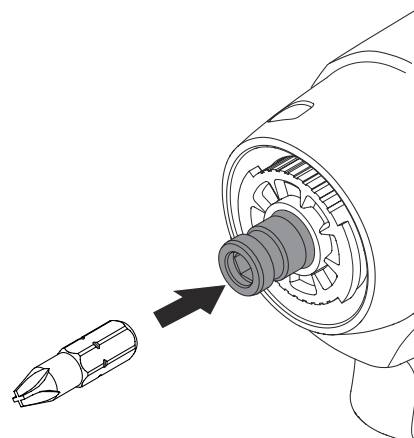
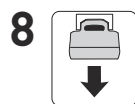
Taladrar y atornillar en ángulo recto respecto a la herramienta eléctrica (accesorio parcial).



AN-XS

10.4 Alojamiento para herramienta en el husillo de taladrar [8]

Las puntas de destornillador pueden insertarse directamente en el alojamiento hexagonal del husillo de taladrar.



11 Trabajo con la herramienta eléctrica



ADVERTENCIA

Peligro de lesiones

- ▶ Colocar la herramienta eléctrica en el tornillo siempre desconectada.
- ▶ Fijar la pieza de trabajo de forma que permanezca inmóvil al trabajarla.
- ▶ Mantener las manos alejadas de la herramienta cuando esté girando.



PRECAUCIÓN

Peligro de quemaduras

Durante el funcionamiento, la herramienta y su alojamiento pueden calentarse mucho.

- Antes de colgarla del clip de cinturón, dejar que se enfríe.

11.1 Compartimento para puntas [1-11]



PRECAUCIÓN




Peligro de lesiones por virutas de metal en el compartimento para puntas.

- Limpiar periódicamente el compartimento para puntas y eliminar las virutas.

Magnético, para alojar puntas y portapuntas.

12 Señales de advertencia

En los siguientes estados de funcionamiento, se generan señales de advertencia y la herramienta eléctrica se desconecta:

Señal sonora	Motivo	Medida
Emite un pitido. 	Batería vacía/incompatible. Herramienta eléctrica sobrecargada.	Cargar/vaciar batería. Cargar menos la herramienta eléctrica.
Emite dos pitidos. 	Al accionar el interruptor de conexión y desconexión: la herramienta eléctrica está sobrecalentada.	Poner en funcionamiento la herramienta eléctrica una vez que se haya enfriado.
Emite un pitido continuo. 	Par de giro ajustado alcanzado. Herramienta eléctrica defectuosa.	- Para la resolución de averías, ponerse en contacto con el fabricante.

13 Mantenimiento y cuidado



ADVERTENCIA

Peligro de lesiones, electrocución

- Extraiga siempre la batería de la máquina antes de realizar cualquier trabajo de mantenimiento y conservación.



ADVERTENCIA

Cualquier trabajo de mantenimiento o reparación que requiera abrir el motor o la carcasa del engranaje deberá ser realizado únicamente por un Centro de Atención al Cliente (nombre proporcionado por su concesionario).

- Los trabajos de mantenimiento o reparación realizados por una persona no autorizada podrían provocar la conexión incorrecta de los conductores de alimentación u otros componentes, lo que a su vez podría provocar accidentes con consecuencias graves.



PRECAUCIÓN

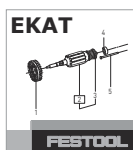
Algunos productos de limpieza y disolventes resultan perjudiciales para las piezas de plástico.

- Algunos de ellos incluyen, entre otros, gasolina, acetona, metiletilacetona (MEK) y oxiclورو de carbono. Los productos de limpieza normalmente contienen cloro y amoníaco y los productos de limpieza del hogar contienen amoníaco.



El servicio de atención al cliente y de reparaciones solo está disponible a través del fabricante o de los talleres de reparación. Dirección más cercana en:

www.festoolusa.com/service



Utilice únicamente piezas de recambio Festool originales. Referencia en: www.festoolusa.com/service

A fin de garantizar una correcta circulación del aire, las aberturas para el aire de refrigeración dispuestas en la carcasa del motor deben mantenerse libres y limpias.

Mantenga siempre limpios los puntos de conexión de la herramienta eléctrica, el cargador y la batería.

Comprobar que todas las advertencias de la herramienta eléctrica sean legibles y estén completas. Reemplazar las advertencias que falten o que no sean legibles.

14 Accesorios

Utilice únicamente los accesorios Festool originales y el material de consumo Festool diseñados para esta máquina, puesto que los componentes de este sistema están óptimamente adaptados entre sí. La utilización de accesorios y material de consumo de otros fabricantes puede afectar a la calidad de los resultados de trabajo y conllevar una limitación de los derechos de la garantía. El desgaste de la máquina o de su carga personal puede variar en función de la aplicación. Utilice únicamente accesorios originales y material de consumo de Festool para su propia protección y la de la máquina, así como de los derechos de la garantía.

Consulte las referencias de los accesorios y las herramientas en el catálogo Festool o en Internet, en www.festoolusa.com.

14.1 SYSTAINER

Systainer

Muchos de los productos Festool se entregan en un embalaje exclusivo denominado "Systainer" que sirve de protección a la herramienta y sus complementos, además de facilitar su almacenamiento. Los Systainer pueden apilarse y encajan unos con otros. Además se adaptan sin problema a cualquier aparato de aspiración CT de Festool.

Para abrir el Systainer



Gire el T-loc **[SYS-b-1]** a esta posición.

Para cerrar el Systainer



Gire el T-loc **[SYS-b-1]** a esta posición.

Para encajar dos Systainer

Ponga el Systainer sobre un otro **[SYS-a]**.

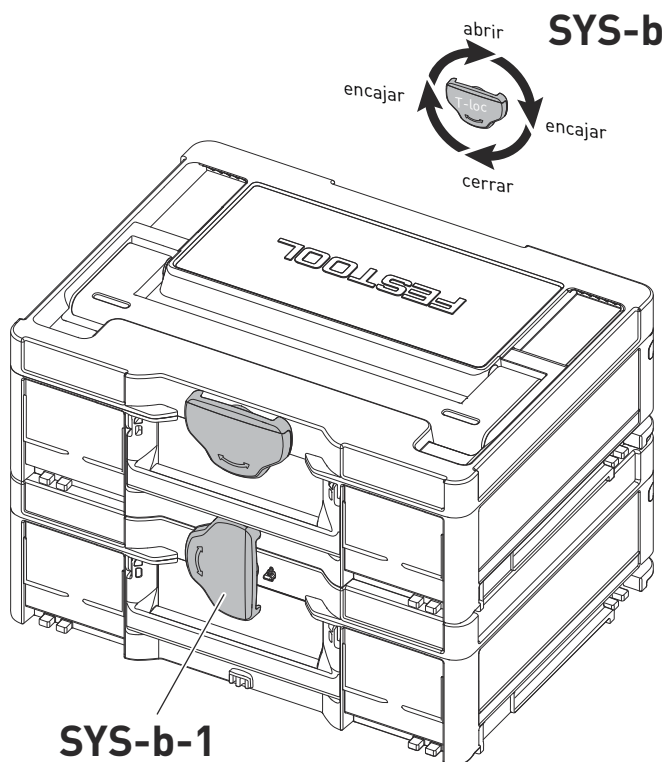
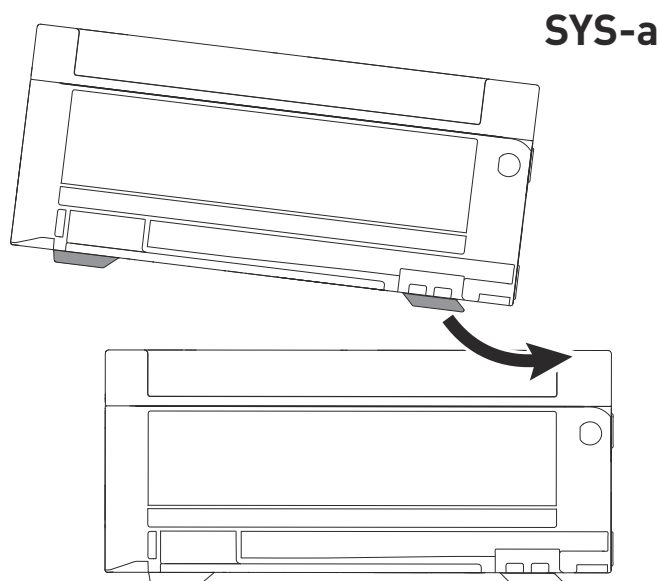


Gire el T-loc **[SYS-b-1]** a una de estas posiciones (Fig. **[SYS-b]**).

Los Systainers están encajados y cerrados.

i El Systainer Classic Line se puede unir por la parte inferior con un Systainer T-Loc o con un Systainer³ por medio de sus cuatro enclavamientos

El Systainer T-Loc se puede unir por abajo o por arriba con un Systainer³.



15 Medio ambiente

No deseches la herramienta junto con los residuos domésticos. Recicle las herramientas, accesorios y embalajes de forma respetuosa con el medio ambiente. Respete la normativa vigente del país.

Reciclaje de baterías



ADVERTENCIA

Riesgo de fuego o daños

- ▶ No intente desarmar la batería ni quitar ninguno de los componentes que sobresalen de las terminales de la batería.
- ▶ Antes de tirarla, proteja las terminales que están al descubierto con cinta adhesiva aislante gruesa para prevenir cortocircuitos.

16 Observaciones generales

16.1 Bluetooth®

La marca denominativa Bluetooth® y los logotipos son marcas registradas de Bluetooth SIG, Inc. Por lo tanto, todo uso que TTS Tooltechnic Systems AG & Co. KG y, por consiguiente, también Festool, hagan de dicha marca está sujeto a un contrato de licencia.