

en	Original Instructions - Cordless circular saw	6
fr	Notice d'utilisation originale - Scie circulaire à capot basculant sans fil	21
es	Manual de instrucciones original - Sierra circular de batería	37



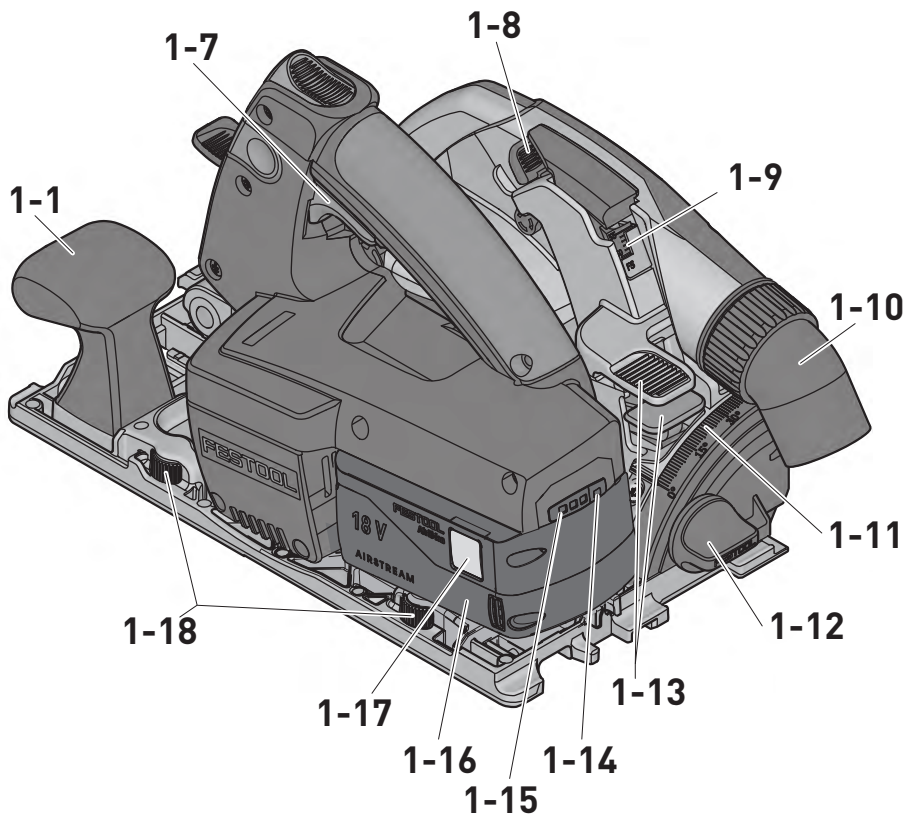
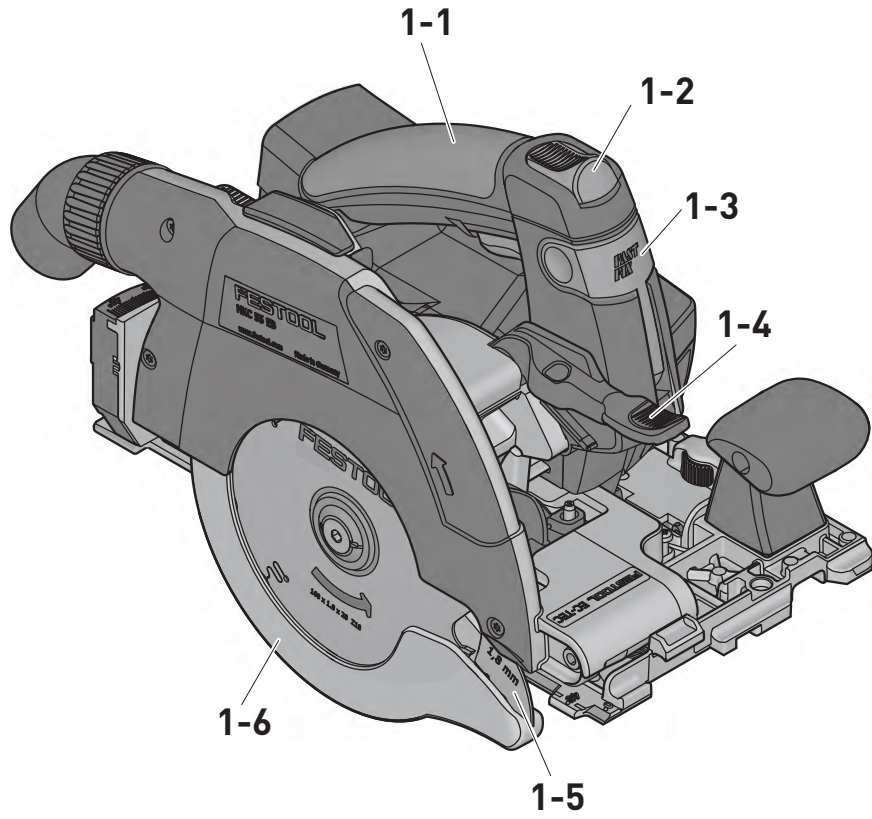
Read all instructions before using
Lire toutes les instructions avant de démarrer les travaux.
Lea y comprende todas las instrucciones antes de usar.



HKC 55 EB


















1





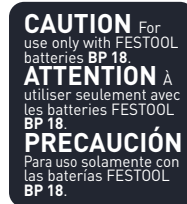
Contents

1	Symbols.....	6
2	About this manual.....	6
3	Safety warnings.....	7
4	Intended use.....	11
5	Technical data.....	12
6	Functional description.....	12
7	Battery pack.....	12
8	Settings.....	13
9	Working with the electric power tool.....	15
10	Service and maintenance.....	17
11	Accessories.....	18
12	Environment.....	19
13	General information.....	20

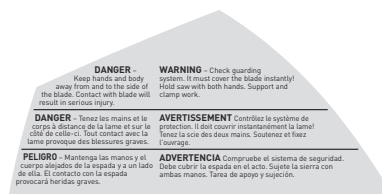
1 Symbols

-  Warning of general danger
-  Warning of electric shock
-  Read the operating instructions and safety instructions.
-  Wear ear protection.
-  Wear protective gloves when changing tools and working with raw materials.
-  Wear a dust mask.
-  Wear protective goggles.
-  Direction of rotation of saw and the saw blade
-  Electro-dynamic run-down brake
-  Saw blade measurement
a ... Diameter
-  Tool contains a chip which stores data.
See section [13.1](#)
-  Tip or advice
-  Handling instruction
-  Inserting the battery pack.
-  Removing the battery pack.

-  Risk of pinching fingers and hands!
-  Danger area! Keep hands away!
- V volt
- A amperes
- Hz hertz
- ~ alternating current
- direct current
- d.c
- n₀ no load speed
- rpm revolutions per minute
- min⁻¹
- " inch
- lb. pound
- ∅ diameter
- ° angular degree
- Nm Newton metre
- mm millimetre



CAUTION For use only with FESTOOL batteries BP 18






DANGER Keep hands and body away from and to the side of the blade. Contact with blade will result in serious injury.

WARNING Check guarding system. It must cover the blade instantly! Hold saw with both hands. Support and clamp work.

2 About this manual


Save these instructions

It is important for you to read and understand this manual. The information it contains relates to protecting **your safety** and **preventing problems**. The symbols below are used to help you recognize this information.

	DANGER	Description of imminent hazard and failure to avoid hazard will result in death.
	WARNING	Description of hazard and possible resulting injuries or death.
	CAUTION	Description of hazard and possible resulting injuries.
	NOTICE	Description of possible damage of the device or its surroundings.

3 Safety warnings

3.1 General power tool safety warnings

 **WARNING! Read all safety warnings, instructions, illustrations and specifications provided with this power tool.** Failure to follow all instructions listed below may result in electric shock, fire and/or serious injury.

Save all warnings and instructions for future reference.

The term "power tool" in the warnings refers to your mains-operated (corded) power tool or battery-operated (cordless) power tool.

1 WORK AREA SAFETY

- Keep work area clean and well lit.** Cluttered or dark areas invite accidents.
- Do not operate power tools in explosive atmospheres, such as in the presence of flammable liquids, gases or dust.** Power tools create sparks which may ignite the dust or fumes.
- Keep children and bystanders away while operating a power tool.** Distractions can cause you to lose control.

2 ELECTRICAL SAFETY

- Power tool plugs must match the outlet. Never modify the plug in any way. Do not use any adapter plugs with earthed (grounded) power tools.** Unmodified plugs and matching outlets will reduce risk of electric shock.
- Avoid body contact with earthed or grounded surfaces, such as pipes, radiators, ranges and refrigerators.** There is an increased risk of electric shock if your body is earthed or grounded.
- Do not expose power tools to rain or wet conditions.** Water entering a power tool will increase the risk of electric shock.

- Do not abuse the cord. Never use the cord for carrying, pulling or unplugging the power tool. Keep cord away from heat, oil, sharp edges or moving parts.** Damaged or entangled cords increase the risk of electric shock.
- When operating a power tool outdoors, use an extension cord suitable for outdoor use.** Use of a cord suitable for outdoor use reduces the risk of electric shock.
- If operating a power tool in a damp location is unavoidable, use a residual current device (RCD) protected supply.** Use of an RCD reduces the risk of electric shock.

3 PERSONAL SAFETY

- Stay alert, watch what you are doing and use common sense when operating a power tool. Do not use a power tool while you are tired or under the influence of drugs, alcohol or medication.** A moment of inattention while operating power tools may result in serious personal injury.
- Use personal protective equipment. Always wear eye protection.** Protective equipment such as a dust mask, non-skid safety shoes, hard hat or hearing protection used for appropriate conditions will reduce personal injuries.
- Prevent unintentional starting. Ensure the switch is in the off-position before connecting to power source and/or battery pack, picking up or carrying the tool.** Carrying power tools with your finger on the switch or energising power tools that have the switch on invites accidents.
- Remove any adjusting key or wrench before turning the power tool on.** A wrench or a key left attached to a rotating part of the power tool may result in personal injury.
- Do not overreach. Keep proper footing and balance at all times.** This enables better control of the power tool in unexpected situations.
- Dress properly. Do not wear loose clothing or jewellery. Keep your hair and clothing away from moving parts.** Loose clothes, jewellery or long hair can be caught in moving parts.
- If devices are provided for the connection of dust extraction and collection facilities, ensure these are connected and properly used.** Use of dust collection can reduce dust-related hazards.

- h. **Do not let familiarity gained from frequent use of tools allow you to become complacent and ignore tool safety principles.** A careless action can cause severe injury within a fraction of a second.

4 POWER TOOL USE AND CARE

- a. **Do not force the power tool. Use the correct power tool for your application.** The correct power tool will do the job better and safer at the rate for which it was designed.
- b. **Do not use the power tool if the switch does not turn it on and off.** Any power tool that cannot be controlled with the switch is dangerous and must be repaired.
- c. **Disconnect the plug from the power source and/or remove the battery pack, if detachable, from the power tool before making any adjustments, changing accessories, or storing power tools.** Such preventive safety measures reduce the risk of starting the power tool accidentally.
- d. **Store idle power tools out of the reach of children and do not allow persons unfamiliar with the power tool or these instructions to operate the power tool.** Power tools are dangerous in the hands of untrained users.
- e. **Maintain power tools and accessories. Check for misalignment or binding of moving parts, breakage of parts and any other condition that may affect the power tool's operation. If damaged, have the power tool repaired before use.** Many accidents are caused by poorly maintained power tools.
- f. **Keep cutting tools sharp and clean.** Properly maintained cutting tools with sharp cutting edges are less likely to bind and are easier to control.
- g. **Use the power tool, accessories and tool bits etc. in accordance with these instructions, taking into account the working conditions and the work to be performed.** Use of the power tool for operations different from those intended could result in a hazardous situation.
- h. **Keep handles and grasping surfaces dry, clean and free from oil and grease.** Slippery handles and grasping surfaces do not allow for safe handling and control of the tool in unexpected situations.

5 BATTERY TOOL USE AND CARE


- a. **Recharge only with the charger specified by the manufacturer.** A charger that is suitable for one type of battery pack may create a risk of fire when used with another battery pack.
- b. **Use power tools only with specifically designated battery packs.** Use of any other battery packs may create a risk of injury and fire.
- c. **When battery pack is not in use, keep it away from other metal objects, like paper clips, coins, keys, nails, screws or other small metal objects, that can make a connection from one terminal to another.** Shorting the battery terminals together may cause burns or a fire.
- d. **Under abusive conditions, liquid may be ejected from the battery; avoid contact. If contact accidentally occurs, flush with water. If liquid contacts eyes, additionally seek medical help.** Liquid ejected from the battery may cause irritation or burns.
- e. **Do not use a battery pack or tool that is damaged or modified.** Damaged or modified batteries may exhibit unpredictable behaviour resulting in fire, explosion or risk of injury.
- f. **Do not expose a battery pack or tool to fire or excessive temperature.** Exposure to fire or temperature above 130 °C (265 °F) may cause explosion.
- g. **Follow all charging instructions and do not charge the battery pack or tool outside the temperature range specified in the instructions.** Charging improperly or at temperatures outside the specified range may damage the battery and increase the risk of fire.

6 SERVICE

- a. **Have your power tool serviced by a qualified repair person using only identical replacement parts.** This will ensure that the safety of the power tool is maintained.
- b. **Never service damaged battery packs.** Service of battery packs should only be performed by the manufacturer or authorized service providers.
- c. **Only use original Festool parts for repair and maintenance.** The use of incompatible accessories or spare parts can result in electric shocks or other injuries.

3.2 Safety instructions for specific circular saws

Cutting procedures

-  **DANGER: Keep hands away from cutting area and the blade. Keep your second hand on auxiliary handle, or motor housing.** If both hands are holding the saw, they cannot be cut by the blade.
- **Do not reach underneath the workpiece.** The guard cannot protect you from the blade below the workpiece.
- **Adjust the cutting depth to the thickness of the workpiece.** Less than a full tooth of the blade teeth should be visible below the workpiece.
- **Never hold the workpiece in your hands or across your leg while cutting. Secure the workpiece to a stable platform.** It is important to support the work properly to minimise body exposure, blade binding, or loss of control.
- **Hold the power tool by insulated gripping surfaces, when performing an operation where the cutting tool may contact hidden wiring.** Contact with a "live" wire will also make exposed metal parts of the power tool "live" and could give the operator an electric shock.
- **When ripping, always use a rip fence or straight edge guide.** This improves the accuracy of cut and reduces the chance of blade binding.
- **Always use blades with correct size and shape (diamond versus round) of arbour holes.** Blades that do not match the mounting hardware of the saw will run off-centre, causing loss of control.
- **Never use damaged or incorrect blade washers or bolt.** The blade washers and bolt were specially designed for your saw, for optimum performance and safety of operation.

Causes of kickbacks and corresponding safety instructions

- kickback is a sudden reaction to a pinched, jammed or misaligned saw blade, causing an uncontrolled saw to lift up and out of the workpiece toward the operator;
- when the blade is pinched or jammed tightly by the kerf closing down, the blade stalls and the motor reaction drives the unit rapidly back toward the operator;

- if the blade becomes twisted or misaligned in the cut, the teeth at the back edge of the blade can dig into the top surface of the wood causing the blade to climb out of the kerf and jump back toward the operator.

Kickback is the result of saw misuse and/or incorrect operating procedures or conditions and can be avoided by taking proper precautions as given below.

- **Maintain a firm grip with both hands on the saw and position your arms to resist kickback forces. Position your body to either side of the blade, but not in line with the blade.** Kickback could cause the saw to jump backwards, but kickback forces can be controlled by the operator, if proper precautions are taken.
- **When blade is binding, or when interrupting a cut for any reason, release the trigger and hold the saw motionless in the material until the blade comes to a complete stop. Never attempt to remove the saw from the work or pull the saw backward while the blade is in motion or kickback may occur.** Investigate and take corrective actions to eliminate the cause of blade binding.
- **When restarting a saw in the workpiece, centre the saw blade in the kerf so that the saw teeth are not engaged into the material.** If a saw blade binds, it may walk up or kickback from the workpiece as the saw is restarted.
- **Support large panels to minimise the risk of blade pinching and kickback.** Large panels tend to sag under their own weight. Supports must be placed under the panel on both sides, near the line of cut and near the edge of the panel.
- **Do not use dull or damaged blades.** Unsharpened or improperly set blades produce narrow kerf causing excessive friction, blade binding and kickback.
- **Blade depth and bevel adjusting locking levers must be tight and secure before making the cut.** If blade adjustment shifts while cutting, it may cause binding and kickback.
- **Use extra caution when sawing into existing walls or other blind areas.** The protruding blade may cut objects that can cause kickback.

Lower guard function

- a. **Check the lower guard for proper closing before each use. Do not operate the saw if the lower guard does not move freely and close instantly. Never clamp or tie the lower guard into the open position.** If the saw is accidentally dropped, the lower guard may be bent. Raise the lower guard with the retracting handle and make sure it moves freely and does not touch the blade or any other part, in all angles and depths of cut.
- b. **Check the operation of the lower guard spring. If the guard and the spring are not operating properly, they must be serviced before use.** Lower guard may operate sluggishly due to damaged parts, gummy deposits, or a build-up of debris.
- c. **The lower guard may be retracted manually only for special cuts such as "plunge cuts" and "compound cuts". Raise the lower guard by the retracting handle and as soon as the blade enters the material, the lower guard must be released.** For all other sawing, the lower guard should operate automatically.
- d. **Always observe that the lower guard is covering the blade before placing the saw down on bench or floor.** An unprotected, coasting blade will cause the saw to walk backwards, cutting whatever is in its path. Be aware of the time it takes for the blade to stop after switch is released.

Function of the guide wedge [1-5]

- a. **Use the correct saw blade for the guide wedge, where possible. The function of the guide wedge is restricted if using saw blades with a thicker blade core.** To ensure that the guide wedge functions properly, make sure the blade core of the saw blade is thinner than the guide wedge and that the tooth width is greater than the thickness of the guide wedge. Expect increased risk of kickback when using a thicker saw blade.
- b. **Do not operate the saw if the guide wedge is bent.** Even the slightest problem can cause the guard to close more slowly.

Further safety instructions

- **This electric power tool cannot be installed in a work bench.** The electric power tool may become unsafe and cause serious accidents if installed in benches from other

manufacturers or self-manufactured work benches.

- **Never place your hands into the chip ejector.** You may injure yourself on rotating parts.
- **Use suitable detectors to determine if utility lines are hidden in the work area or call the local utility company for assistance.** A contact with electric lines can lead to fire and electric shock. Damaging a gas line can lead to explosion. Penetrating a water line causes property damage or may cause an electric shock.
- **Wait until the power tool stops completely until placing it down.** The tool can become entangled and lead to a loss of control of the power tool.
- Do not use the machine for overhead work.
- **Harmful/toxic dust may be produced during your work (e.g. paint containing lead, certain types of wood and metal).** Inhaling or coming into contact with this dust may represent a hazard for operating personnel or persons in the vicinity. Comply with the safety regulations that apply in your country.



Wear a P2 dust mask to protect your health.

Ensure that enclosed spaces are adequately ventilated and, if necessary, connect a mobile dust extractor.



- **Wear suitable personal protective equipment:** Ear protection, protective goggles, dust mask for work that generates dust, protective gloves for working with rough materials and for changing tools.
- **Harmful/toxic dust may be produced during your work (e.g. paint containing lead, certain types of wood or metals).** Contact with or inhalation of this dust may pose a risk for the operating personnel or persons in the vicinity. Comply with the safety regulations that apply in your country.
- Check whether there are any signs of damage to the housing components, such as cracks or stress whitening. Have any damaged components repaired before using the power tool.
- **Do not use power supply units or third-party battery packs to operate cordless power tools. Do not use third-party charg-**

ers to charge the battery packs. The use of accessories not expressly authorised by the manufacturer can result in electric shocks and/or serious accidents.

3.3 Residual risks

In spite of compliance with all relevant design regulations, hazards while operating the machine still occur e.g.:

- Touching the saw blade in the area of the front opening below the saw table,
- Touching the parts of the saw blade that protrude below the saw table while cutting,
- Touching rotating parts from left and right sides: saw blade, clamping flange, flange screw.,
- Kickback of machine due to jamming in the workpiece,
- Touching live parts when the casing is opened and the mains plug is in the socket,
- the flying off of parts,
- the flying off of machine parts from a damaged machine,
- noise emission,
- dust emission.

3.4 Aluminium processing



When sawing aluminium, the following measures must be taken for safety reasons:

- Connect the machine to a suitable dust extractor.
- Regularly remove dust deposits from the motor housing.
- Use an aluminium saw blade.
- Close the viewing window/chipguard.



Wear protective goggles.

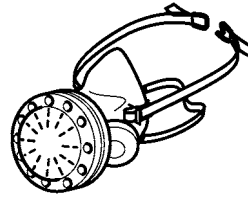
- When sawing panels, they must be lubricated with paraffin but thin-walled profiles (up to 3 mm) can be sawed without lubrication.

3.5 Health hazard by dust



WARNING! various dust created by power sanding, sawing, grinding, drilling and other construction activities contains chemicals known (to the State of California) to cause cancer, birth defects or other reproductive harm. Some examples of these chemicals are:

- lead from lead-based paints,
- crystalline silica from bricks and cement and other masonry products, and
- arsenic and chromium from chemically treated lumber.



The risk from these exposures varies, depending on how often you do this type of work. To reduce your exposure to these chemicals: work in a well ventilated area, and work with approved safety equipment, such as dust masks that are specially designed to filter out microscopic particles. Wash hands after handling.



WARNING

TO REDUCE THE RISK OF INJURY, USER MUST READ INSTRUCTION MANUAL.

4 Intended use

Portable circular saws are designed for sawing wood, materials similar to wood, gypsum and cement-bonded fibre materials and plastics. When fitted with the special saw blades offered by Festool, the machines can also be used for sawing unhardened ferrous metal and non-ferrous metal.

Only use saw blades with the following dimensions:

- Saw blades in accordance with EN 847-1
- Saw blade diameter 6-1/4" (160 mm)
- Recommended cutting width 5/64" (1.8 mm), max. 3/32" (2.2 mm) with restricted function of the guide wedge
- Location hole 25/32" (20 mm)
- Recommended standard blade thickness 3/64" (1.2 mm) - range of 1.1 - 1.25 mm max. possible
- Suitable for speeds of up to 9500 rpm

Do not use cutting or sanding discs.

Only saw materials for which the saw blade in question has been designed.

This power tool may only be used by experts or instructed persons.



The user is liable for improper or non-intended use.

This power tool is suitable for use with BP Festool battery packs of the same voltage class.

5 Technical data

Cordless circular saw	HKC 55 EB
Motor voltage	14.4 - 18 V
No-load speed	4500 rpm
Inclination	0° to 50°
Cutting depth at 0°	0 - 2-1/8" (0 - 55 mm)
Cutting depth at 50°	1-1/2" (38 mm)
Saw blade dimensions	
recommended	6-1/4" x 5/64" x 25/32" (160 x 1.8 x 20 mm)
max.	6-1/4" x 3/32" x 25/32" (160 x 2.2 x 20 mm)
Weight without battery pack	7.5 lbs (3.4 kg)

6 Functional description

- [1-1] Handles
- [1-2] Switch-on lock
- [1-3] Lever for changing blades
- [1-4] Retractor lever for pendulum guard
- [1-5] Guide wedge
- [1-6] Pendulum guard
- [1-7] On/Off switch
- [1-8] Lever for plunge function
- [1-9] Split scale for cutting depth stop (with/without guide rail)
- [1-10] Extractor connector
- [1-11] Angle scale
- [1-12] Knob for angle setting
- [1-13] Cutting depth adjuster
- [1-14] Capacity display button on battery pack
- [1-15] Capacity display
- [1-16] Battery pack
- [1-17] Button for releasing the battery pack
- [1-18] Adjustable jaws

The pictures for the functional description are on a fold-out page at the beginning of the instruction manual. While reading the manual

you can fold out the page for comparison and quick reference.

Accessories shown or described are not always included in the scope of delivery.

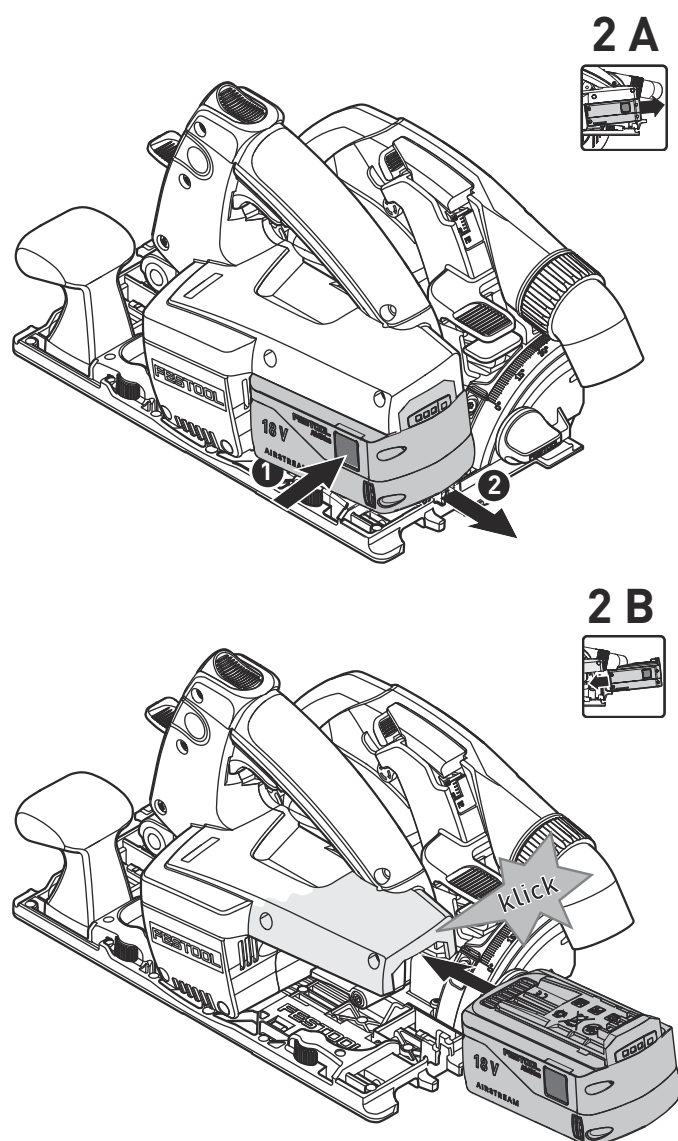
7 Battery pack

Before using the battery pack, check that the battery interface is clean. Any contamination of the battery interface may impair correct contact and lead to the contacts being damaged.

A faulty contact may result in the machine overheating or being damaged.

[2 A] Remove the battery pack.

[2 B] Insert the battery pack – until it clicks into place.



i Further information about the charger and battery pack with capacity indicator can be found in the corresponding operating manual.

8 Settings



WARNING

Risk of injury, electric shock

- ▶ Always disconnect the battery packs from the machine before performing any type of work on the machine!

8.1 Electronics

Smooth start-up

The electronically controlled smooth start-up ensures that the machine starts up jolt-free.

Constant speed

The motor speed remains constant through electronic control to ensure a uniform cutting speed even when under load.

Current limiting

Current limiting prevents excessive current consumption under extreme overload, which can lead to a decrease in the motor speed. The motor immediately restarts after the load is removed.

Brake

The HKC 55 EB is fitted with an electronic brake. When the saw is switched off, the saw blade slows to a stop electronically within approx. 2 seconds.

Restart protection

The integral restart protection prevents the electric power tool from automatically starting up again after an interruption in power when the ON/OFF switch is pressed. In this case the electric power tool must be switched off and then switched back on again.

Temperature cut-out

When exceeding a certain engine temperature level, the machine power supply and speed are capped. The power tool continues operating at reduced power to allow the ventilator to cool the motor rapidly. The power tool resumes to full performance automatically once the motor has cooled sufficiently.

8.2 Adjusting the cutting depth

The cutting depth can be set at 0-2-3/16" (0 – 55 mm).

- ▶ Press cutting depth adjustment **[3-1]**.
- ▶ Pull up or push down saw at main handle.



Cutting depth without guide rail/track rail

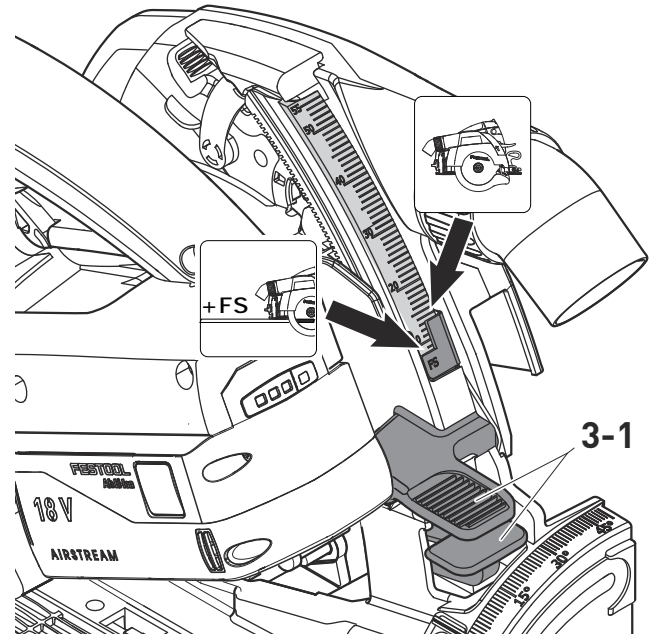
max. 2-3/16" (55 mm)



Cutting depth with guide rail/track rail

max. 2-1/32" (51 mm)

3



8.3 Adjusting the cutting angle

- ⓘ The saw table must be on an even surface when adjusting the cutting angle.

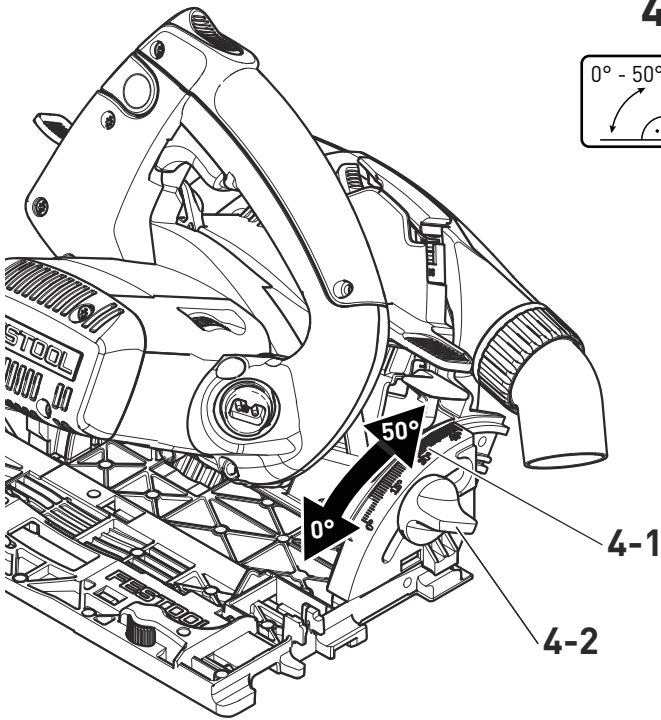
between 0° and 50°:

- ▶ Open knob **[4-2]**.
- ▶ Swivel sawing unit to the desired cutting angle **[4-1]**.
- ▶ Close knob **[4-2]**.

- ⓘ Both positions (0° and 50°) are set at the factory and can be readjusted by the after-sales service team.

- ⓘ For angled cuts, the cutting depth is smaller than the value displayed on the cutting depth scale.

4



8.4 Adjust pendulum guard



CAUTION

Risk of injury! Sharp edges!
The pendulum guard swings back quickly in the event of sudden release.

- ▶ The pendulum guard [1-6] must only be opened with the retractor lever [1-4].

8.5 Selecting the saw blade

Festool saw blades are identified by a coloured ring. The colour of the ring represents the material for which the saw blade is suited.

WARNING! Risk of injury! Pendulum hood mechanism not working correctly! Diamond saw blades must not be used to saw cement-bonded fibreboard.

Colour	Material	Symbol
Yellow	Wood	
Red	Laminate, mineral material	
Green	Plaster- and cement-bonded chipboard and fibreboard	
Blue	Aluminium, plastic	

8.6 Changing the saw blade



WARNING

Risk of injury

- ▶ Remove the battery pack from the power tool before performing any work on the power tool.



CAUTION

Risk of injury from hot and sharp insertion tool

- ▶ Do not use any blunt or faulty insertion tools.
- ▶ Wear protective gloves when handling an insertion tool.

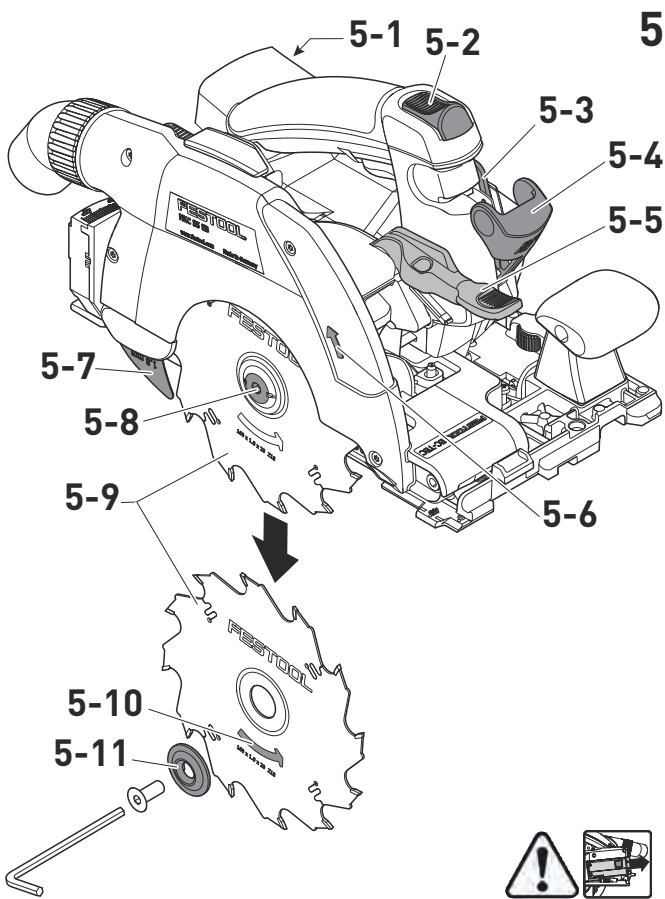
Removing the saw blade

- ▶ Swivel saw to 0° position before replacing the saw blade and set maximum cutting depth.
- ▶ Position saw on motor cover when replacing [5-1].
- ▶ Turn the lever [5-4] as far as the stop.
- ▶ Open the screw [5-8] using the Allen key [5-3].
- ▶ Hold the pendulum guard open [5-7] only with retractor lever [5-5].
- ▶ Remove the saw blade [5-9].

Inserting the saw blade

WARNING! Check the screws and flange for contamination and only use clean and undamaged parts.

- ▶ Insert the new saw blade.
 - WARNING!** The direction of rotation of the saw blade [5-10] and saw [5-6] must match. Serious injuries may occur in the event of non-compliance.
- ▶ Insert the outer flange [5-11] so that the pin engages in the recess on the inner flange.
- ▶ Release retractor lever [5-5] and allow the pendulum guard [5-7] to swivel back to its final position.
- ▶ Tighten the screw [5-8].
- ▶ Reposition the lever [5-4].



8.7 Dust extraction



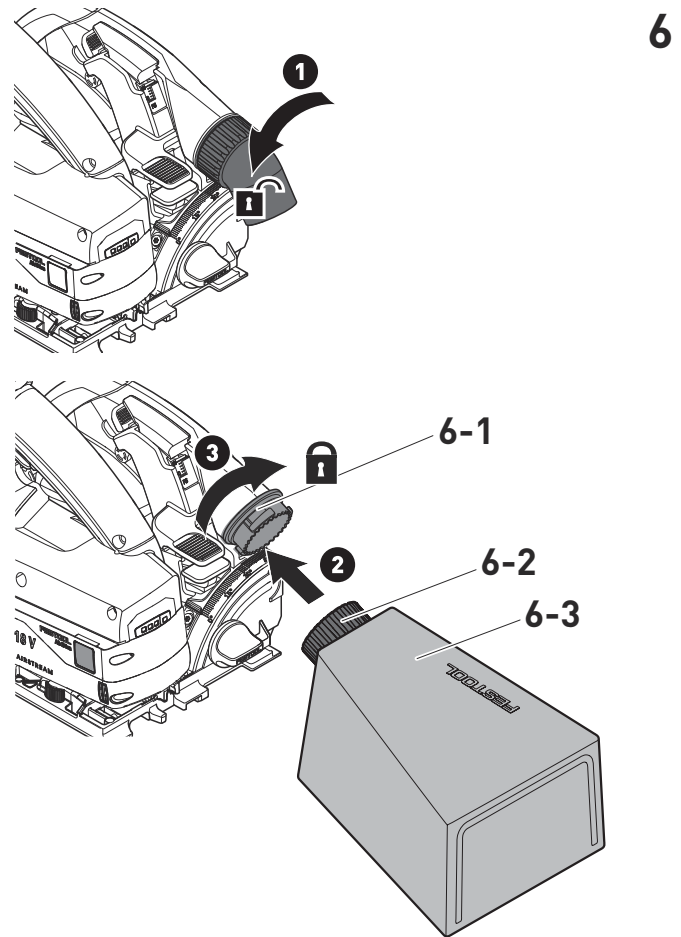
WARNING

Health hazard posed by dust

- ▶ Always work with an extractor.
- ▶ Only use a dust extractor designed to collect the specific type of dust and particles from the material being cut.
- ▶ Follow OSHA and NFPA regulations to ensure a safe work environment.

Independent extraction

- ▶ Secure the connection piece [6-2] of the dust collection bag [6-3] at the extractor connector [6-1] with a clockwise rotation.
- ▶ To empty, remove the connection piece of the dust collection bag from the extractor connector with an anti-clockwise rotation.



Festool mobile dust extractor

A Festool mobile dust extractor with a suction hose diameter of 1-1/16"/1-17/64" (27/32 mm) or 1-7/16" (36 mm) (36 mm recommended due to the reduced risk of clogging) can be connected to the extractor connector [6-1].

The adapter on a 1-1/16" (27 mm) diameter suction hose is inserted into the angle adapter. The adapter on a 1-7/16" (36 mm) diameter suction hose is inserted over the angle adapter.

CAUTION! A static charge may build up if no antistatic suction hose is used. The user may receive an electric shock and the power tool's electronics may be damaged.

9 Working with the electric power tool



When working on the machine, observe all of the safety warnings that are listed at the start as well as the following rules:

- Only guide the power tool towards the workpiece when it is switched on.
- **Before each use, check that the pendulum guard is working correctly using the retractor lever [1-4].** Ensure that the pendulum guard can move freely and does not come into contact with the saw blade or other parts at any cutting angle or depth.

Only use this power tool when it is in perfect working order.

- Always secure the workpiece in such a way that it cannot move during machining.
- Make sure that the extractor hose does not snag the entire saw cut, either on the workpiece, the workpiece support or hazards on the ground.
- When working, always hold the power tool **with both hands** on the handles [1-1]. This is a prerequisite for precise work and is essential for plunge-cutting. Plunge into the workpiece slowly and evenly.
- Always push the saw forwards [8-9], and **never towards yourself**.
- Adapt the infeed speed to prevent the cutters on the saw blade from overheating and prevent plastic materials from melting during cutting. The harder the material to be sawn, the lower the feed speed needs to be.
- Make sure that the rotary knob [1-12] is tightened before starting work.
- **CAUTION! Risk of overheating.** Before use, make sure that the battery pack is securely clicked into place

9.1 Switch on/off

- ▶ Slide switch-on lock [1-2] upwards.
- ▶ Press the ON/OFF switch [1-7].
Press = ON
Release = OFF

9.2 Acoustic warning signal

Acoustic warning signals sound and the power tool switches off in the following operating states:



Battery flat or power tool overloaded:

peep

- ▶ Change the battery.
- ▶ Reduce the power tool load.

9.3 Sawing along the scribe mark

The cut indicators display the cutting sequence without a guide rail:

0° cuts: [7-1]

45° cuts: [7-2]

9.4 Cutting sections

Position the saw with the front part of the saw table on the workpiece, switch on saw and push forward in cutting direction.

9.5 Sawing cut-outs (plunge cuts)



In order to avoid kickbacks, the following instructions must be observed without fail when plunge cutting:

- Always position saw with the rear edge of the saw table against a fixed stop.
- When working with the guide rail, place the saw against the kickback stop FS-RSP (accessories) clamped to the guide rail.



Caution! Danger of crushing!

Always keep a firm grip on the machine with your free hand when adjusting plunge cuts. Never position your fingers behind or below the saw blade.

Procedure

- ▶ Adjusting cutting depth, **see section 8.2**.
- ▶ Press lever [8-1] down.
Sawing unit swivels upwards to plunge-cut position.
- ▶ Hold retractor lever [8-2] downwards as far as stop.
Pendulum guard [8-4] opens and the saw blade is exposed.
- ▶ Position saw on workpiece and position against a stop (kickback stop).
- ▶ Switch on saw.
- ▶ Slowly press down saw to the set cutting depth until the saw engages, release retractor lever [8-2] and push forward in cutting direction [8-9].

The notch [8-3] indicates the absolute rear cutting point of the saw blade (6-14" (Ø 160 mm)) when using the saw at maximum cutting depth with the guide rail.

9.6 Switch on/off

- ▶ Slide switch-on lock [1-2] upwards.
- ▶ Press the ON/OFF switch [1-7].
Press = ON
Release = OFF

9.7 Acoustic warning signal

Acoustic warning signals sound and the power tool switches off in the following operating states:



Battery flat or power tool overloaded:

peep

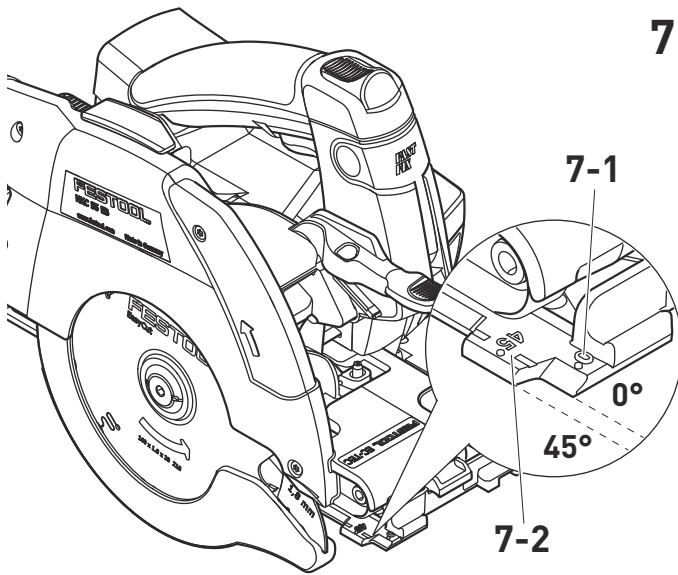
- ▶ Change the battery.
- ▶ Reduce the power tool load.

9.8 Sawing along the scribe mark

The cut indicators display the cutting sequence without a guide rail:

0° cuts: [7-1]

45° cuts: [7-2]



9.9 Cutting sections

Position the saw with the front part of the saw table on the workpiece, switch on saw and push forward in cutting direction.

9.10 Sawing cut-outs (plunge cuts)



In order to avoid kickbacks, the following instructions must be observed without fail when plunge cutting:

- Always position saw with the rear edge of the saw table against a fixed stop.
- When working with the guide rail, place the saw against the kickback stop FS-RSP (accessories) clamped to the guide rail.



Caution! Danger of crushing!

Always keep a firm grip on the machine with your free hand when adjusting plunge cuts. Never position your fingers behind or below the saw blade.

Procedure

- ▶ Adjusting cutting depth, **see section 8.2**.
- ▶ Press lever [8-1] down.

Sawing unit swivels upwards to plunge-cut position.

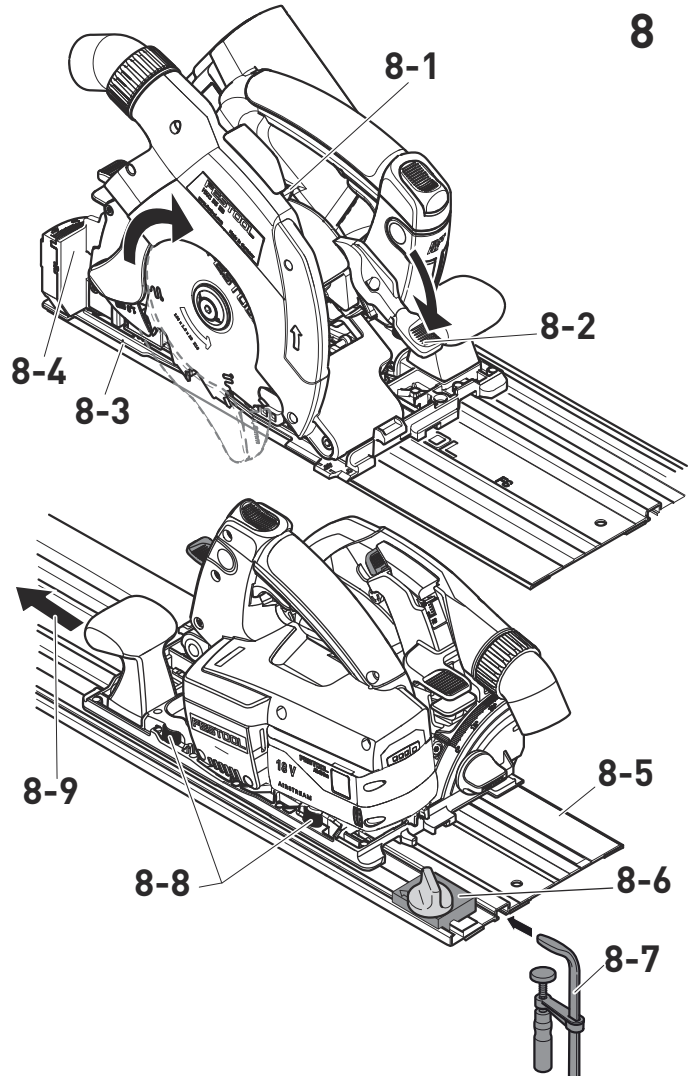
- ▶ Hold retractor lever [8-2] downwards as far as stop.

Pendulum guard [8-4] opens and the saw blade is exposed.

- ▶ Position saw on workpiece and position against a stop (kickback stop).
- ▶ Switch on saw.

- ▶ Slowly press down saw to the set cutting depth until the saw engages, release retractor lever [8-2] and push forward in cutting direction [8-9].

The notch [8-3] indicates the absolute rear cutting point of the saw blade (6-14" (Ø 160 mm)) when using the saw at maximum cutting depth with the guide rail.



10 Service and maintenance



WARNING

Risk of injury, electric shock

- ▶ Always remove the battery pack from the power tool before performing any maintenance or service work.
- ▶ All maintenance and repair work which requires the motor housing to be opened should always be carried out by an authorised service workshop.

**CAUTION****Certain cleaning agents and solvents are harmful to plastic parts.**

- Some of these include, but are not limited to: Gasoline, Acetone, Methyl Ethyl Ketone (MEK), Carbonyl Chloride, cleaning solutions containing Chlorine, Ammonia, and household cleaners containing Ammonia.



Customer service and repairs must only be carried out by the manufacturer or service workshops. Find the nearest address at:
www.festoolusa.com/service



Always use original Festool spare parts. Order no. at:
www.festoolusa.com/service



Cleaning the machine regularly, especially the adjusting devices and guides, is an important safety factor.

Observe the following instructions:

- Damaged safety devices and parts, such as a faulty lever for changing tools **[1-3]**, must be properly repaired or replaced in a recognised specialist workshop, unless otherwise indicated in the operating manual.
- To ensure constant air circulation, always keep the cooling air openings in the housing clean and free of blockages.
- Use an extractor on all openings in order to remove wood chips and splinters from the power tool. Never open the protective lid.
- The pendulum guard must always be able to move freely and close independently. Always keep the area around the pendulum guard clean. Clear from dust and chippings by blowing out with compressed air or using a brush.
- Keep the contacts on the power tool, charger and battery pack clean.
- When working with plaster- and cement-bonded fibreboards, clean the tool particularly thoroughly. Clean the vents of the power tool and on/off switch using dry, oil-free compressed air. Otherwise, gypsum dust deposits may build up inside the power tool's housing and on the on/off switch and harden when exposed to humidity. This may impair the switching mechanism

Check all warnings on the electric power tool for readability and completeness. Replace missing or illegible warnings.

11 Accessories

Use only original Festool accessories and Festool consumable material intended for this machine. These components are designed specifically for this machine. Using accessories and consumable material from other suppliers will most likely affect the quality of your results and limit warranty claims. Machine wear or your own personal workload may increase depending on the application. Protect yourself and your machine, and preserve your warranty claims by always using original Festool accessories and Festool consumable material!

The order numbers of the accessories and tools can be found in the Festool catalogue or on the Internet under "www.festoolusa.com".

In addition to the accessories described, Festool also provides a comprehensive range of system accessories that allow you to use your saw more effectively and in diverse applications, e.g.:

- Parallel stop, extension table PA-HKC 55
- Kickback stop FS-RSP
- Parallel stop FS-PA and guide extension FS-PA-VL
- Side-mounted cover, false joint ABSA-TS 55

11.1 Saw blades, other accessories

In order to saw different materials quickly and cleanly, Festool offers saw blades for all applications and these are specially designed for your Festool saw.

11.2 Guide rail

The guide rail enables you to make clean, accurate cuts while simultaneously protecting the surface of the workpiece from damage.

In conjunction with the extensive range of accessories, exact angled cuts, mitre cuts and fitting work can be completed with the guide system. The option of attaching the guide rail securely using clamps **[8-7]** ensures safer working conditions.

- Adjust the guide play between the saw table and the guide rail using the two adjustable jaws **[8-8]**.

The splinterguard [8-5] requires breaking in before first usage:

- Position saw at the very end of the guide rail, so that the guide plate is level.
- Swivel saw to 0° position and set to maximum cutting depth.
- Switch on saw.

- ▶ Slowly push saw along the entire length of the rail.

The edge of the splinterguard now corresponds exactly to the cutting edge.

11.3 Cross cutting guide rail

The cross cutting guide rail is designed for sawing wood and panel materials.

It enables precise and clean cuts, in particular angled cuts can be performed simply and with repeat accuracy. The saw automatically moves back to the initial position after the sawing process.

Observe the instructions in the operating manual for the FSK cross cutting guide rail

11.4 SYSTAINER

Systainer

Many Festool products are shipped in a unique system container, called "Systainer". This provides protection and storage for the tool and accessories. The Systainers are stackable and can be interlocked together. They also can be interlocked atop Festool CT dust extractors.

To open the Systainer



Turn the T-loc **[SYS-b-1]** to this position.

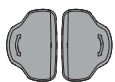
To lock the Systainer



Turn the T-loc **[SYS-b-1]** to this position.

To connect two Systainers

Place one Systainer on the top of the other (Fig. **[SYS-a]**).

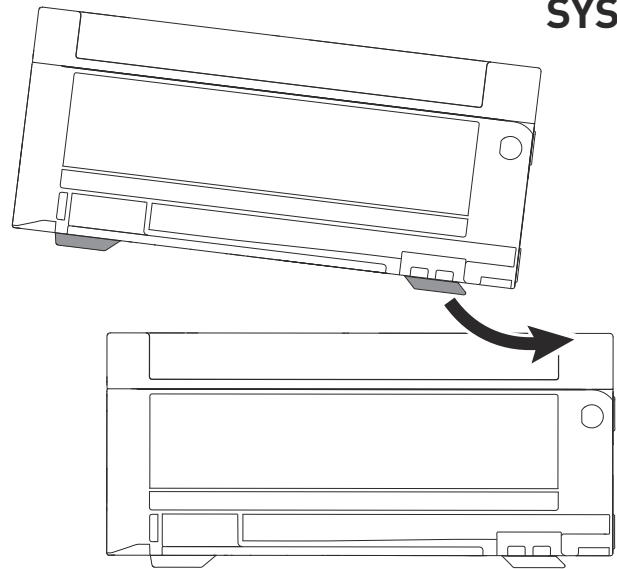


Turn the T-loc **[SYS-b-1]** to one of this positions (Fig. **[SYS-b]**).

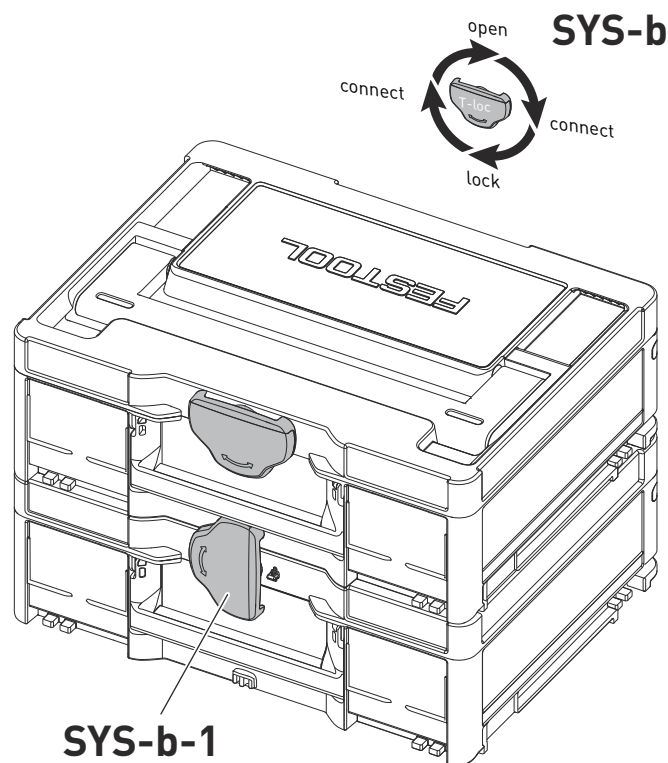
The Systainers are connected and locked.

- ⓘ A Systainer Classic Line can be connected to a Systainer T-Loc or to a Systainer³ from below via its four locking devices. A Systainer T-Loc can be connected to a Systainer³ both from below and from above.

SYS-a



SYS-b



12 Environment

Do not dispose of the device together with domestic waste! Dispose of machines, accessories and packaging at an environmentally responsible recycling centre. Observe the valid national regulations.

Battery Disposal



WARNING

Risk of fire or injury

- ▶ Do not attempt to disassemble the battery or remove any component projecting from the battery terminals.
- ▶ Prior to disposal, protect exposed terminals with heavy insulating tape to prevent shorting.

13 General information

13.1 Information on data privacy

The power tool contains a chip which automatically stores machine and operating data. The data saved cannot be traced back directly to an individual.

The data can be read in a contactless manner using special devices and shall only be used by Festool for fault diagnosis, repair and warranty processing and for quality improvement or enhancement of the power tool. The data shall not be used in any other way without the express consent of the customer.

13.2 Bluetooth®

The Bluetooth® word mark and the logos are registered trademarks of Bluetooth SIG, Inc.; they are used by TTS Tooltechnic Systems AG & Co. KG, and therefore by Festool, under licence.

Sommaire

1	Symboles.....	21
2	À propos de ce manuel.....	22
3	Consignes de sécurité.....	22
4	Utilisation conforme.....	27
5	Caractéristiques techniques.....	28
6	Éléments de l'appareil.....	28
7	Batterie.....	28
8	Réglages.....	29
9	Utilisation de l'outil électroportatif.....	31
10	Entretien et maintenance.....	34
11	Accessoires.....	34
12	Environnement.....	36
13	Remarques générales.....	36

1 Symboles

-  Avertit d'un danger général
-  Avertit d'un risque de décharge électrique
-  Lire le mode d'emploi et les consignes de sécurité !
-  Porter une protection auditive !
-  Portez des gants de protection pour changer de lame et pour manipuler des matériaux rugueux !
-  Porter une protection respiratoire !
-  Porter des lunettes de protection !
-  Sens de rotation de la scie et de la lame de scie
-  Frein électrodynamique
-  Dimension de la lame de scie
a ... Diamètre
-  L'outil contient une puce permettant l'enregistrement des données. Voir chapitre 13.1
-  Conseil, information
-  Instruction
-  Insertion de la batterie



Dégager la batterie



Risque d'écrasement des doigts et des mains !



Zone de danger ! Ne pas mettre les mains !

V Volt

A Ampère

Hz Hertz

~ Tension alternative
a.c.

— Tension continu
d.c

n_0 Vitesse de rotation à vide

rpm

min^{-1} Tours ou course par minute

tr/mi

n

" Pouce

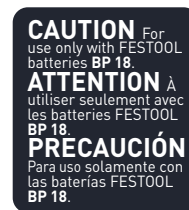
lb. Livre

\emptyset Diamètre

° degré angulaire

Nm Newton metre

mm millimètre



ATTENTION À utiliser seulement avec les batteries FESTOOL BP 18



DANGER Tenez les mains et le corps à distance de la lame et sur le côté de celle-ci. Tout contact avec la lame provoque des blessures graves.

AVERTISSEMENT Contrôlez le système de protection. Il doit couvrir instantanément la lame! Tenez la scie des deux mains. Soutenez et fixez l'ouvrage.

2 À propos de ce manuel

Conservez ces instructions

Il est important pour vous de lire et de comprendre ce manuel. Les informations qu'il contient, se rapporte à la protection **de votre sécurité et de prévention des problèmes**. Les symboles suivants sont utilisés pour vous aider à reconnaître cette information.



DANGER Description du risque imminent et l'incapacité à éviter tout risque qui peut entraîner la mort.



AVERTISSEMENT Description des dangers possibles et des blessures qui en résultent ou la mort.



ATTENTION Description des dangers et des éventuelles blessures qui en résultent.

AVIS Description des dommages potentiels sur l'appareil ou dans son environnement.

3 Consignes de sécurité

3.1 Consignes générales de sécurité pour outils électroportatifs



AVERTISSEMENT ! Veuillez lire toutes les consignes de sécurité, instructions, illustrations et caractéristiques techniques qui accompagnent le présent outil électroportatif.

Des négligences relatives aux instructions suivantes peuvent occasionner un choc électrique, un incendie et/ou des blessures graves.

Conserver l'ensemble des consignes de sécurité et des instructions afin de pouvoir les consulter ultérieurement.

Le terme « outil électroportatif » utilisé dans les consignes de sécurité se rapporte aux outils électroportatifs fonctionnant sur secteur (avec câble) et aux outils électroportatifs fonctionnant sur batterie (sans câble).

1 SÉCURITÉ DU POSTE DE TRAVAIL

- Veillez à ce que la zone de travail soit propre et bien éclairée.** Un poste de travail en désordre ou mal éclairé peut entraîner des accidents.
- Ne vous servez pas de l'outil électroportatif dans un environnement où il y a un risque d'explosion dû à la présence de liquides inflammables, de gaz ou de poussières.** Les outils électroportatifs peuvent gé-

nerer des étincelles susceptibles d'enflammer la poussière ou les vapeurs.

- Éloignez les enfants et d'autres personnes pendant l'utilisation de l'outil électroportatif.** Si vous êtes distrait, vous pouvez perdre le contrôle de l'outil électroportatif.

2 SÉCURITÉ ÉLECTRIQUE

- Le connecteur de l'outil électroportatif doit correspondre à la prise électrique. Le connecteur ne doit être modifié d'aucune façon. N'utilisez pas d'adaptateur avec des outils électroportatifs mis à la terre.** Des connecteurs intacts et des prises correspondantes diminuent le risque d'un choc électrique.
- Évitez tout contact avec des surfaces mises à la terre telles que des tuyaux, chauffages, cuisinières et réfrigérateurs.** Un risque élevé de choc électrique existe si votre corps est relié à la terre.
- Protégez les outils électroportatifs de la pluie et de l'humidité.** L'infiltration d'eau dans un outil électroportatif augmente le risque de choc électrique.
- Ne détournez pas l'utilisation du câble de raccordement pour porter l'outil électroportatif, l'accrocher ou pour tirer le connecteur de la prise. Éloignez le câble de la chaleur, de l'huile, de bords tranchants ou de pièces en mouvement.** Des câbles de raccordement endommagés ou enchevêtrés augmentent le risque de choc électrique.
- Si vous travaillez avec un outil électroportatif à l'extérieur, utilisez uniquement des rallonges prévues pour l'extérieur.** L'utilisation d'un câble prévu pour l'extérieur diminue le risque d'un choc électrique.
- Utilisez un disjoncteur à courant de défaut quand le fonctionnement de l'outil électroportatif en environnement humide ne peut pas être évité.** L'utilisation d'un disjoncteur à courant de défaut diminue le risque d'un choc électrique.

3 SÉCURITÉ DES PERSONNES

- Soyez attentif à ce que vous faites, faites preuve de bon sens lorsque vous travaillez avec l'outil électroportatif. N'utilisez pas l'outil électroportatif si vous êtes fatigué ou si vous êtes sous l'influence de drogues, de l'alcool ou de médicaments.** Un moment d'inattention lors de l'utilisa-

tion de l'outil électroportatif peut entraîner des blessures graves.

- b. **Portez un équipement de protection individuelle et des lunettes de protection en permanence.** Le port d'un équipement de protection individuelle tel que masque contre la poussière, chaussures de sécurité antidérapantes, casque ou protection auditive, en fonction du type et de l'utilisation de l'outil électroportatif, diminue le risque de blessures.
- c. **Évitez toute mise en service involontaire. Assurez-vous que l'outil électroportatif est déconnecté avant de le raccorder à l'alimentation électrique et/ou à la batterie, avant de le soulever ou de le porter.** Si, en portant l'outil électroportatif, vous avez le doigt sur l'interrupteur ou si vous raccordez l'outil électroportatif connecté à l'alimentation électrique, cela peut entraîner des accidents.
- d. **Retirez les outils de réglage ou les clés anglaises avant de connecter l'outil électroportatif.** Un outil ou une clé qui se trouve dans une partie de l'outil électroportatif en rotation peut entraîner des blessures.
- e. **Évitez toute position de travail anormale. Veillez à maintenir une position stable et un bon équilibre à tout moment.** Vous pourrez ainsi à tout moment contrôler l'outil électroportatif dans des situations inattendues.
- f. **Portez des vêtements adaptés. Ne portez pas de vêtements amples ou de bijoux. Éloignez vos cheveux et vos vêtements des pièces en mouvement.** Des vêtements amples, des bijoux ou des cheveux longs pourraient se prendre dans les pièces en mouvement.
- g. **Si des dispositifs d'aspiration et de récupération des poussières peuvent être montés, raccordez-les et utilisez-les correctement.** L'utilisation d'une aspiration des poussières peut diminuer les dangers dus aux poussières.
- h. **Ne vous croyez pas faussement en sécurité et n'enfreignez pas les règles de sécurité destinées aux outils électroportatifs, même si vous maîtrisez l'outil électroportatif après de multiples utilisations.** Un manque d'attention peut en un quart de seconde entraîner de graves blessures.

4 UTILISATION ET TRAITEMENT DE L'OUTIL ÉLECTROPORTATIF

- a. **Ne surchargez pas l'outil électroportatif. Utilisez l'outil électroportatif destiné à votre travail.** L'outil électroportatif adapté vous permet de travailler mieux et avec plus de sécurité dans la plage de puissance indiquée.
- b. **N'utilisez aucun outil électroportatif dont l'interrupteur serait défectueux.** Un outil électroportatif qui ne peut plus être mis en marche ou arrêté est dangereux et doit être réparé.
- c. **Débranchez le connecteur de la prise de courant et/ou retirez une batterie amovible avant d'effectuer des réglages sur l'appareil, de remplacer des pièces d'outil ou de déposer l'outil électroportatif.** Cette mesure de précaution empêche un démarrage involontaire de l'outil électroportatif.
- d. **Rangez toujours les outils électroportatifs inutilisés hors de portée des enfants. Ne laissez aucune personne à laquelle vous ne faites pas confiance ou qui n'a pas lu ces consignes se servir de l'outil électroportatif.** Les outils électroportatifs sont dangereux lorsqu'ils sont utilisés par des personnes inexpérimentées.
- e. **Prenez soin de vos outils électroportatifs et outils. Vérifiez que les parties mobiles fonctionnent sans problème, qu'elles ne coincent pas et qu'il n'y a pas de parties cassées ou endommagées qui pourraient entraver le bon fonctionnement de l'outil électroportatif. Faites réparer les parties endommagées avant d'utiliser l'outil électroportatif.** De nombreux accidents sont dus à un mauvais entretien des outils électroportatifs.
- f. **Maintenez les outils de coupe affûtés et propres.** Des outils de coupe entretenus avec soin dotés de bords de coupe affûtés se coincent moins et sont plus faciles à utiliser.
- g. **Utilisez l'outil électroportatif, les outils, etc. en respectant ces instructions. Tenez compte des conditions de travail et de la tâche à effectuer.** L'utilisation des outils électroportatifs pour d'autres applications que celles prévues peut entraîner des situations dangereuses.
- h. **Veillez à ce que les poignées et surfaces des poignées soient sèches, propres et exemptes d'huile ou de graisse.** Des poignées et surfaces de poignées glissantes

ne permettent pas une utilisation en toute sécurité ni un contrôle de l'outil électroportatif dans des situations imprévues.

5 UTILISATION ET TRAITEMENT DE L'OUTIL SANS FIL

- a. **Rechargez les batteries uniquement dans les chargeurs recommandés par le fabricant.** Un chargeur destiné à un certain type de batteries peut prendre feu s'il est utilisé avec d'autres batteries.
- b. **Utilisez uniquement les batteries prévues dans les outils électroportatifs.** L'utilisation d'autres batteries peut entraîner des blessures et un risque d'incendie.
- c. **Éloignez la batterie non utilisée des trombones, pièces de monnaie, clés, clous, vis ou tout autre objet métallique qui pourraient causer un pontage des contacts.** Un court-circuit entre les contacts de la batterie peut causer des brûlures ou un incendie.
- d. **En cas d'utilisation erronée, il est possible que du liquide s'écoule de la batterie. Éviter tout contact avec celui-ci. En cas de contact accidentel, rincer avec de l'eau. Si le liquide pénètre dans les yeux, consultez en plus un médecin.** Le liquide s'écoulant de la batterie peut causer des irritations cutanées ou des brûlures.
- e. **N'utilisez pas de batterie endommagée ou modifiée.** Des batteries endommagées ou modifiées peuvent causer des réactions inattendues et provoquer un incendie, une explosion ou des blessures.
- f. **N'exposez pas une batterie au feu ou à des températures élevées.** Le feu ou des températures supérieures à 130 °C peuvent provoquer une explosion.
- g. **Suivez toutes les instructions pour le chargement et ne chargez jamais la batterie ou l'outil sans fil hors de la plage de température indiquée dans la notice d'utilisation.** Un chargement erroné ou hors de la plage de température autorisée peut détruire la batterie et augmenter le risque d'incendie.


6 SERVICE

- a. **Faites réparer votre outil électroportatif uniquement par un personnel qualifié ; les réparations doivent être effectuées avec des pièces d'origine uniquement,** afin de garantir la fiabilité de l'outil électroportatif.

- b. **N'entretenez jamais de batteries endommagées.** Seul le fabricant ou des ateliers de service après-vente agréés doivent réaliser l'ensemble de la maintenance des batteries.
- c. **Pour la réparation et l'entretien, n'utilisez que des pièces d'origine.** L'utilisation d'accessoires ou de pièces détachées non adaptés risque de provoquer une électrocution ou des blessures.

3.2 Consignes de sécurité spécifiques aux scies circulaires

Sciage

-  **DANGER ! N'approchez pas vos mains de la zone de sciage et de la lame de scie. Tenez la poignée supplémentaire ou le carter moteur à l'aide de votre deuxième main.** Vous éviterez tout risque de blessure avec la lame de scie si vous tenez la scie circulaire à deux mains.
- **Ne touchez pas le dessous de la pièce.** Le capot de protection ne peut pas vous protéger de la lame de scie dans la zone située au-dessous de la pièce.
- **Adaptez la profondeur de coupe à l'épaisseur de la pièce.** Les dents ne doivent pas être complètement visibles sous la pièce.
- **Ne tenez jamais la pièce à scier dans la main ou sur la jambe. Fixez la pièce sur un support stable.** Il est important de bien fixer la pièce à travailler afin de réduire les risques de contact corporel, de blocage de la lame de scie ou de perte de contrôle.
- **Si l'outil monté pourrait entrer en contact avec des conduites électriques invisibles, tenez l'outil électroportatif à l'aide des poignées isolées.** Le contact avec un câble sous tension met également les pièces métalliques de l'outil électroportatif sous tension et peut provoquer une décharge électrique.
- **Pour les coupes en longueur, utilisez toujours une butée ou une arête de guidage droite.** Ceci permet d'améliorer la précision de la coupe et de réduire les risques de blocage de la lame de scie.
- **Utilisez toujours des lames de scie présentant une taille et un trou de fixation adaptés (par ex. trou en forme de losange ou rond).** Les lames de scie qui ne sont pas adaptées aux pièces de montage de la scie tournent de manière excentrique et entraînent une perte de contrôle.

- **N'utilisez jamais de brides ou de vis de serrage détériorées ou inadaptées.** Les brides et les vis de serrage de la lame de scie ont été conçues spécialement pour votre scie afin de garantir une performance optimale ainsi que la sécurité de fonctionnement.

Cause du recul et consignes de sécurité correspondantes

- Le recul est un mouvement soudain qu'effectue la lame de scie quand elle s'accroche, se coince ou est mal alignée. La scie se soulève alors de manière incontrôlée, sort du matériau et se déplace en direction de l'utilisateur ;
- quand la lame de scie s'accroche ou se coince dans la fente de coupe qui se resserre, elle reste bloquée et la force générée par le moteur repousse l'appareil en direction de l'utilisateur ;
- Si la lame de scie se tord ou est mal alignée dans la ligne de coupe, les dents de sa partie arrière peuvent s'accrocher dans la surface de la pièce. Dans ce cas, la lame de scie est éjectée de la fente de coupe et la scie est repoussée en direction de l'utilisateur.

Le recul résulte d'une utilisation incorrecte ou inappropriée de la scie. Il peut être évité en appliquant les mesures de précaution adéquates, comme décrit ci-après.

- **Tenez fermement la scie des deux mains et placez vos bras à une position dans laquelle vous serez en mesure de résister à la force du recul. Tenez-vous toujours à côté de la lame de scie et ne placez jamais cette dernière dans l'axe de votre corps.** En cas de recul, la scie circulaire peut être projetée en arrière. Toutefois, l'utilisateur peut maîtriser la force du recul s'il a pris les mesures appropriées.
- **Si la lame de scie se coince ou que vous souhaitez interrompre votre travail, relâchez l'interrupteur marche/arrêt et maintenez la scie dans le matériau jusqu'à ce qu'elle soit complètement immobile. Ne tentez jamais de sortir la scie de la pièce ou de la tirer vers l'arrière tant que la lame de scie est en mouvement. Ceci pourrait provoquer un recul.** Déterminez la cause du blocage de la lame de scie et prenez les mesures nécessaires pour y remédier.
- **Si vous souhaitez remettre en marche une scie enfoncée dans la pièce, centrez la la-**

me de scie dans la fente de coupe et vérifiez que les dents de la scie ne se sont pas accrochées dans la pièce. Si la lame de scie est bloquée, il est possible qu'elle sorte de la pièce ou provoque un recul au redémarrage de la scie.

- **Placez des appuis sous les panneaux de grande taille afin de réduire le risque de blocage de la lame de scie et de recul.** Les panneaux de grande taille peuvent fléchir sous leur propre poids. Les panneaux doivent être soutenus des deux côtés, près de la fente de coupe tout comme sur les bords.
- **N'utilisez pas de lames de scie émoussées ou endommagées.** En raison d'une fente de coupe trop étroite, les lames de scie dont les dents sont émoussées ou tordues provoquent une friction plus importante, un blocage de la lame de scie et un recul.
- **Avant le sciage, serrez les éléments de réglage de la profondeur et de l'angle de coupe.** En cas de changement des réglages pendant le sciage, la lame de scie peut se bloquer et provoquer un recul.
- **Soyez particulièrement prudent lors des coupes plongeantes dans des parois ou d'autres zones sans visibilité.** Lors du sciage, la lame de scie peut se bloquer dans des objets invisibles et provoquer un recul.

Fonction du capot de protection inférieur

- Vérifiez, avant chaque utilisation, que le capot de protection inférieur est parfaitement fermé. N'utilisez pas la scie si le capot de protection n'est pas mobile et s'il ne se ferme pas instantanément. Ne serrez ou n'attachez jamais le capot de protection inférieur en position ouverte.** Si la scie tombait sur le sol de manière involontaire, le capot de protection inférieur pourrait se déformer. Ouvrez le capot de protection à l'aide du levier de rappel, assurez-vous qu'il est bien mobile et qu'il n'entre ni en contact avec tous les angles et profondeurs de coupe, ni avec la lame de scie.
- Vérifiez le fonctionnement des ressorts du capot de protection inférieur. N'utilisez pas l'appareil si le capot de protection inférieur et les ressorts ne fonctionnent pas parfaitement.** Les pièces endommagées, les dépôts ou les tas collants de copeaux peuvent retarder le fonctionnement du capot de protection.

- c. **Ouvrez uniquement le capot de protection inférieur pour des coupes particulières à la main, comme les coupes plongeantes et les coupes en biais. Ouvrez le capot de protection inférieur à l'aide du levier et relâchez-le dès que la lame de scie a pénétré dans la pièce à usiner.** Pour tous les autres travaux de sciage, le capot de protection inférieur doit fonctionner de manière automatique.
- d. **Ne posez pas la scie sur l'établi ou sur le sol sans que le capot de protection inférieur ne recouvre la lame de scie.** Une lame de scie non protégée ou fonctionnant au ralenti bouge la scie dans le sens inverse du sens de coupe et scie tout ce qui se trouve sur son chemin. Il est donc indispensable de tenir compte de la durée de ralentissement de la scie.

Fonction du sabot de guidage [1-5]

- a. **Utilisez si possible la lame de scie adaptée au sabot de guidage. Si vous utilisez des lames de scie avec une base plus épaisse, la fonction du sabot de guidage est limitée.** Pour que le sabot de guidage puisse fonctionner, la lame de base de la lame de scie doit être plus mince que le sabot de guidage et la largeur de dent doit être supérieure à l'épaisseur du sabot de guidage. Si vous utilisez une lame de scie plus épaisse calculez avec un risque de choc en retour plus élevé.
- b. **N'utilisez pas la scie avec un sabot de guidage déformé.** La moindre perturbation peut ralentir la fermeture du capot de protection.

Consignes de sécurité additionnelles

- **Cet outil électroportatif ne doit pas être intégré dans une table de travail.** Le montage sur une table de travail d'un autre fabricant ou des tables réalisées par soi-même peut rendre l'outil électroportatif instable et conduire à de graves accidents.
- **Ne placez jamais vos mains dans l'éjection de copeaux.** Vous pourriez être blessé par des pièces rotatives.
- **Utilisez des appareils de détection appropriés pour repérer des câbles d'alimentation dissimulés ou consultez l'entreprise de distribution locale.** Le contact de l'outil monté avec un câble sous tension peut provoquer un feu ou un choc électrique. Une conduite de gaz endommagée peut conduire à une explosion. La pénétration dans une

conduite d'eau provoque des dégâts matériels.

- **Attendez l'immobilisation complète de la machine électrique avant de la déposer.** L'outil peut se bloquer et conduire à une perte de contrôle de la machine électrique.
- Ne pas utiliser l'appareil pour des travaux au-dessus de la tête.
- **Au cours du travail, des poussières nocives/toxiques peuvent être générées (comme les poussières de peintures au plomb ou certaines poussières de bois ou de métal).** Le contact ou l'inhalation de ces poussières peut présenter un danger pour l'utilisateur ou les personnes se trouvant à proximité. Veuillez respecter les prescriptions de sécurité en vigueur dans votre pays.



Pour votre santé, portez un masque de protection respiratoire de classe P2.

Dans les espaces clos, assurez une ventilation suffisante et branchez le cas échéant un aspirateur.



- **Portez un équipement de protection individuelle approprié :** une protection auditive, des lunettes de protection, un masque anti-poussière lors des travaux impliquant un dégagement de poussière et des gants de protection dans le cas des matériaux rugueux et lors du changement d'outil.
- **Pendant l'utilisation du travail, des poussières nocives/toxiques peuvent être générées (comme les poussières de peintures au plomb et certaines poussières de bois ou de métaux).** Le contact avec ces poussières ou leur inhalation peut présenter un danger pour la santé de l'utilisateur ou des personnes se trouvant à proximité. Veuillez respecter les prescriptions de sécurité en vigueur dans votre pays.
- Vérifiez si des éléments du carter présentent des dommages (fissures, fendillements, etc.). Faites réparer les parties endommagées avant d'utiliser l'outil électroportatif.
- **Ne pas faire fonctionner l'outil électroportatif sans fil avec des blocs d'alimentation secteur ou avec des batteries d'autres fabricants. Ne pas utiliser de chargeurs d'autres fabricants pour recharger la batterie.** L'utilisation d'accessoires autres que

ceux prévus par le fabricant peut provoquer une décharge électrique et/ou des accidents graves.

3.3 Autres risques

Certains risques restent inhérents à la conduite de la machine, malgré le respect de toutes les prescriptions de sécurité, comme par exemple :

- contact avec la lame de scie dans la zone de l'ouverture sous la table de sciage,
- contact de la pièce en saillie de la lame de scie située sous la pièce à usiner au moment de la coupe,
- contact de pièces en rotation sur le côté : lame de scie, bride de serrage, vis de bride,
- recul de la machine en cas de blocage dans la pièce à usiner,
- contact de pièces sous tension quand le boîtier est ouvert et que la fiche secteur n'est pas retirée,
- projection de morceaux de pièce,
- projection de morceaux de pièce en cas d'outils endommagés,
- émission acoustique,
- émission de poussières.

3.4 Traitement de l'aluminium



Pour des raisons de sécurité, respecter les mesures suivantes dans le cas du traitement de l'aluminium :

- Raccordez l'outil à un aspirateur approprié.
- Nettoyez régulièrement les dépôts de poussières accumulés dans le carter moteur.
- Utilisez une lame de scie pour aluminium.
- Fermez la fenêtre d'inspection/ le protecteur contre les projections de copeaux.



Portez des lunettes de protection !

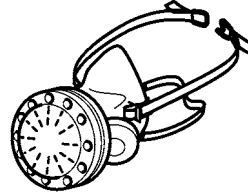
- Pour scier des panneaux, la lame doit être graissée avec de la graisse de pétrole, des profilés aux parois minces (3 mm max.) peuvent être traités sans graissage.

3.5 La poussière, un risque pour la santé



AVERTISSEMENT! certaines poussières créées par le ponçage mécanique, le sciage, le meulage, le perçage et autres activités reliées à la construction contiennent des substances chimiques connues (dans l'État de la Californie) comme pouvant causer le cancer, des anomalies congénitales ou représenter d'autres dangers pour la reproduction. Voici quelques exemples de telles substances:

- plomb provenant de peintures à base de plomb,
- silice cristallisée utilisée dans les briques, le ciment et autres matériaux de maçonnerie, et
- arsenic et chrome du bois d'oeuvre traité avec un produit chimique.



Le risque d'exposition à de tels produits varie selon la fréquence à laquelle vous faites ce genre de travail. Pour réduire les risques d'exposition à ces substances chimiques : travaillez dans un endroit adéquatement ventilé et utilisez un équipement de sécurité approuvé, tel que masques antipoussières spécialement conçus pour filtrer les particules microscopiques.



AVERTISSEMENT

POUR RÉDUIRE LE RISQUE DE DOMMAGES, L'UTILISATEUR DOIT LIRE LE MANUEL D'INSTRUCTION.

4 Utilisation conforme

Les Scie circulaire à main sans fil sont conçues pour scier le bois et matériaux similaires, les matières fibreuses à liant plâtre et à liant ciment ainsi que les plastiques.

Les lames de scies spéciales proposées par Festool permettent d'utiliser les outils pour scier également les métaux ferreux non trempés et les métaux non ferreux.

Seules des lames de scie conformes aux caractéristiques suivantes sont autorisées :

- Lames de scie selon EN 847-1
- Diamètre de lame de scie 160 mm
- Largeur de coupe recommandée 1,8 mm, max. 2,2 mm avec restrictions de fonctionnement du couteau diviseur
- Trou de fixation 20 mm
- Épaisseur de lame de base recommandée 1,2 mm, plage de 1,1 - 1,25 mm max. possible
- Conçues pour une vitesse maximale de 9500 tr/min

N'utilisez pas de disques à tronçonner ni de disques abrasifs.

Scier uniquement des matériaux pour lesquels la lame de scie utilisée a été conçue.

Cet outil électroportatif doit uniquement être utilisé par des personnes qualifiées ou ayant reçu les informations et instructions nécessaires.



L'utilisateur est responsable des dommages provoqués par une utilisation non conforme.

L'outil électroportatif convient pour l'utilisation avec les batteries Festool de la série BP de catégorie de tension identique.

5 Caractéristiques techniques

Scie circulaire à capot basculant sans fil	HKC 55 EB
Tension du moteur	14,4 - 18 V
Vitesse de rotation (à vide)	4500 tr/min
Position inclinée	0° à 50°
Profondeur de coupe à 0°	0 - 2-1/8" (0 - 55 mm)
Profondeur de coupe à 50°	1-1/2" (38 mm)
Dimensions de la lame de scie	
recommandée	6-1/4" x 5/64" x 25/32" (160 x 1.8 x 20 mm)
max.	6-1/4" x 3/32" x 25/32" (160 x 2.2 x 20 mm)
Poids sans batterie	6-1/4" x 3/32" x 25/32" (160 x 2.2 x 20 mm)

6 Éléments de l'appareil

- [1-1] Poignées
- [1-2] Bouton de sécurité anti-déclenchement
- [1-3] Levier de changement d'outil
- [1-4] Levier de rappel pour le capot de protection pendulaire
- [1-5] Couteau diviseur
- [1-6] Capot de protection pendulaire
- [1-7] Interrupteur marche/arrêt
- [1-8] Levier pour la fonction plongeante
- [1-9] Graduation double pour la butée de profondeur de coupe (avec/sans rail de guidage)

- [1-10] Raccord d'aspiration
- [1-11] Graduation angulaire
- [1-12] Bouton rotatif pour le réglage de l'angle
- [1-13] Réglage de la profondeur de coupe
- [1-14] Touche témoin de charge de la batterie
- [1-15] Affichage de charge
- [1-16] Batterie
- [1-17] Touche d'extraction de la batterie
- [1-18] Touches de réglage


Des éléments fournis sont disponibles sur le volet qui se trouve au début de cette notice d'utilisation. Vous pouvez ainsi déplier cette page et visualiser en permanence les différentes parties de l'outil lorsque vous lisez la notice. Les accessoires illustrés ou décrits ne font pas tous partie des éléments livrés.

7 Batterie

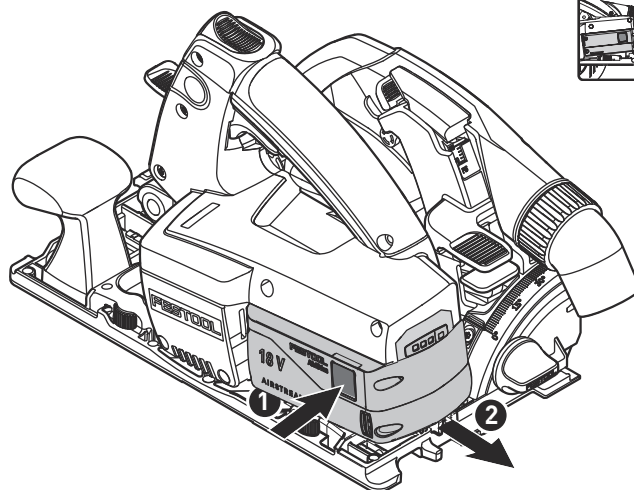
Vérifiez la propreté du logement avant d'insérer la batterie. En présence de saletés dans le logement de batterie, il risque d'y avoir un mauvais contact électrique et les contacts risquent d'être endommagés.

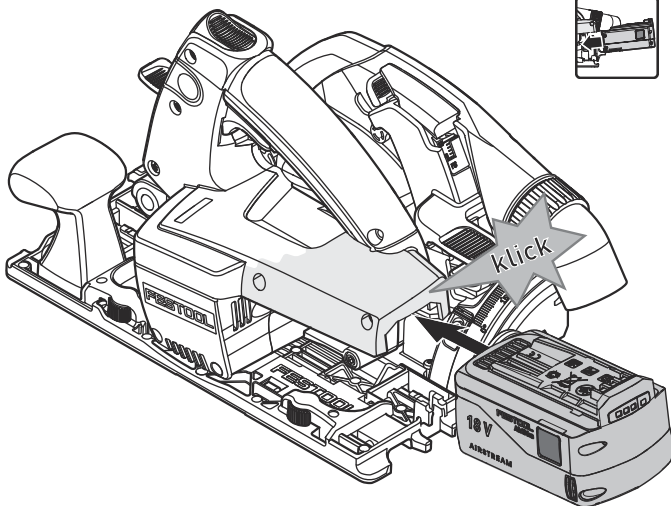
Un mauvais contact électrique peut provoquer la surchauffe et la détérioration de l'outil électroportatif.

[2 A] Retirer la batterie.

[2 B]  Insérer la batterie - jusqu'à son enclenchement.

2 A



2 B

i Vous trouverez des informations supplémentaires sur le chargeur et la batterie à indicateur de charge dans les notices d'utilisation de ces deux éléments.

8 Réglages



AVERTISSEMENT

Risques de blessures, choc électrique

- Retirez systématiquement les batteries de l'outil avant tous les travaux sur l'outil !

8.1 Électronique

Démarrage progressif

Le démarrage progressif assure un fonctionnement sans à-coups de la machine.

Vitesse de rotation constante

La vitesse de rotation du moteur est maintenue constante de manière électronique. De ce fait, la vitesse de coupe reste homogène, même lorsque l'outil est fortement sollicité.

Limitation de courant

La limitation de courant empêche une absorption élevée de courant en cas de charge extrême, ce qui entraînerait une baisse de la rotation du moteur. Après la décharge, le moteur se remet en route.

Frein

La HKC 55 EB est équipée d'un frein électronique. Après la mise hors service, la lame de scie est freinée par un système électronique et s'arrête en 2 secondes.

Protection contre le redémarrage

La protection contre le redémarrage intégrée empêche un redémarrage automatique de la machine après une coupure d'alimentation lorsque l'interrupteur marche/arrêt est enfon-

cé. Dans ce cas, l'outil électroportatif doit tout d'abord être arrêté et remis en marche.

Sécurité thermique

L'alimentation électrique et la vitesse de rotation sont réduites en cas de température trop élevée du moteur. La machine ne fonctionne plus qu'à une puissance réduite, afin de permettre un refroidissement rapide du moteur. Après le refroidissement, la machine remonte automatiquement en puissance.

8.2 Régler la profondeur de coupe

La profondeur de coupe se règle de 0 à 2-3/16" (0 - 55 mm)

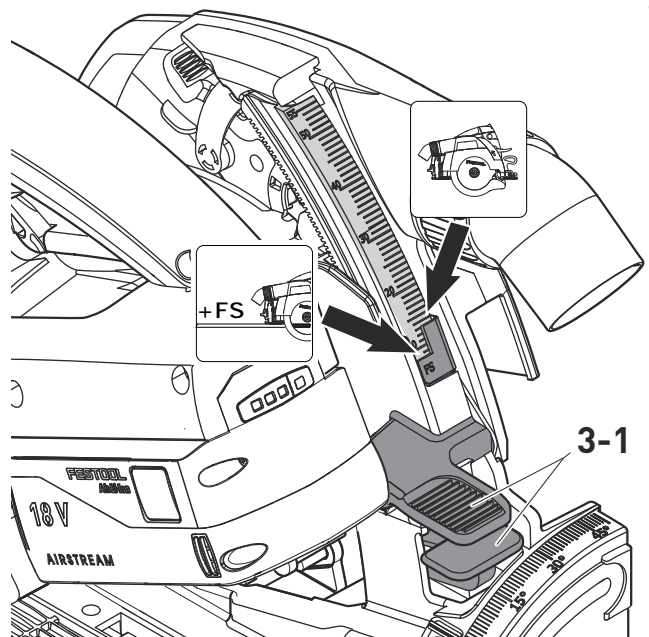
- Effacer le réglage de la profondeur **[3-1]** de coupe.
- Tirer vers le haut ou appuyer sur la poignée principale du groupe de sciage.



Profondeur de coupe sans rail de guidage/ coupe d'onglet
2-3/16" (55 mm) max.



Profondeur de coupe avec rail de guidage/ coupe d'onglet
2-1/32" (51 mm) max.

3

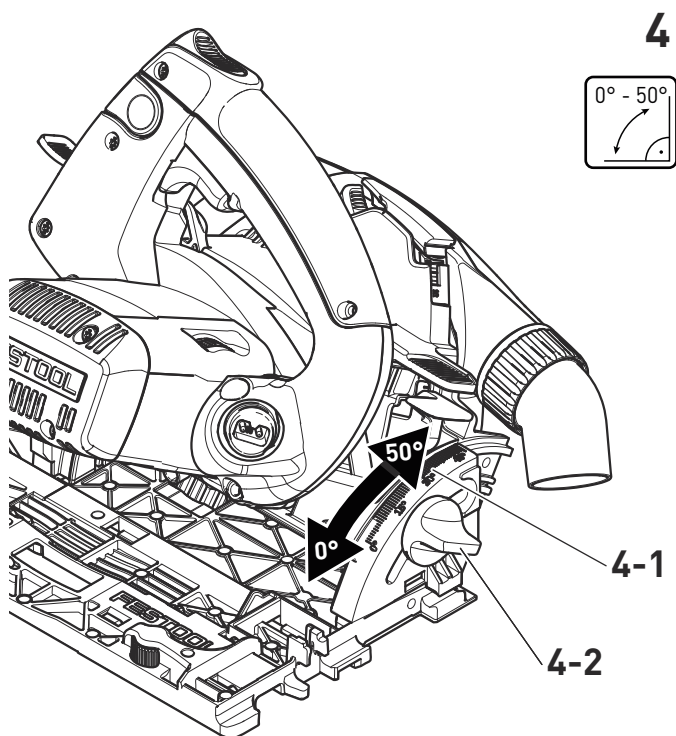
8.3 Réglage de l'angle de coupe

i Lors du réglage de l'angle de coupe, la table de sciage doit reposer sur une surface plane.

Entre 0° et 50° :

- Desserrer le bouton rotatif **[4-2]**.
- Bloc de sciage jusqu'à l'angle de coupe **[4-1]** souhaité.
- Serrer le bouton rotatif **[4-2]**.

- ❶ Les deux positions (0° et 50°) sont réglées en usine et peuvent être réajustées par le service après-vente.
- ❷ Lors des coupes en biais, la profondeur de coupe est plus petite que la valeur indiquée sur la graduation de profondeur de coupe.



8.4 Décaler le capot de protection pendulaire



ATTENTION

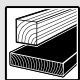




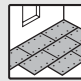
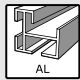
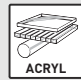
Risque de blessures ! Bords acérés !
En cas de relâchement subit, le capot de protection pendulaire bascule rapidement en arrière.

- Ouvrir le capot de protection pendulaire [1-6] uniquement avec le levier de rappel [1-4].

8.5 Sélectionner la lame de scie

Les lames de scie Festool sont marquées d'un anneau de couleur. La couleur de l'anneau correspond à la matière à laquelle convient la lame de scie.

AVERTISSEMENT ! Risque de blessures ! Le mécanisme du capot basculant ne fonctionne pas ! L'utilisation de lames de scie diamant pour le sciage de plaques en fibrociment n'est pas autorisée !

Couleur	Matériau	Symbole
Jaune	Bois	 
Rouge	Stratifiés, matières minérales	 
Vert	Panneaux de particules et de fibres à base de plâtre et de ciment	 
Bleu	Aluminium, plastiques	 

8.6 Remplacement de la lame de scie



AVERTISSEMENT

Risque de blessures

- Retirer la batterie de l'outil électroportatif avant toute intervention sur ce dernier.



ATTENTION

Risque de blessures dû à l'outil d'usage chaud et tranchant

- Ne pas monter d'outils d'usage émoussés ou défectueux.
- Se munir de gants de protection pour manipuler l'outil d'usage.

Retrait de la lame de scie

- Avant le remplacement de la lame de scie, basculer la scie en position 0° et la régler sur la profondeur de coupe maximale.
- Pour procéder au remplacement, poser la scie sur le capot du moteur [5-1].
- Rabattre le levier [5-4] jusqu'en butée.
- Desserrer la vis [5-8] avec la clé Allen [5-3].
- Maintenir le capot de protection pendulaire [5-7] ouvert uniquement au moyen du levier de rappel [5-5].
- Retirer la lame de scie [5-9].

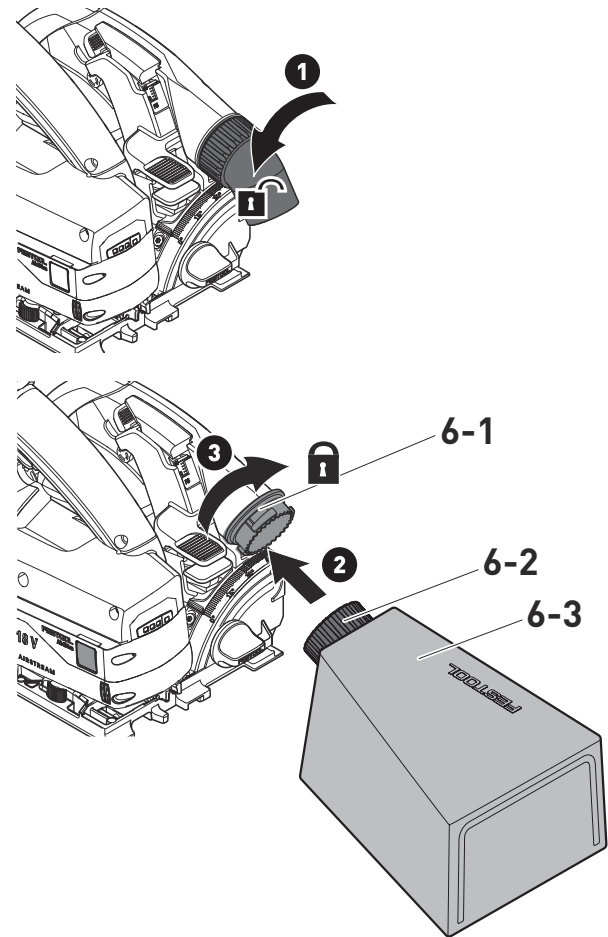
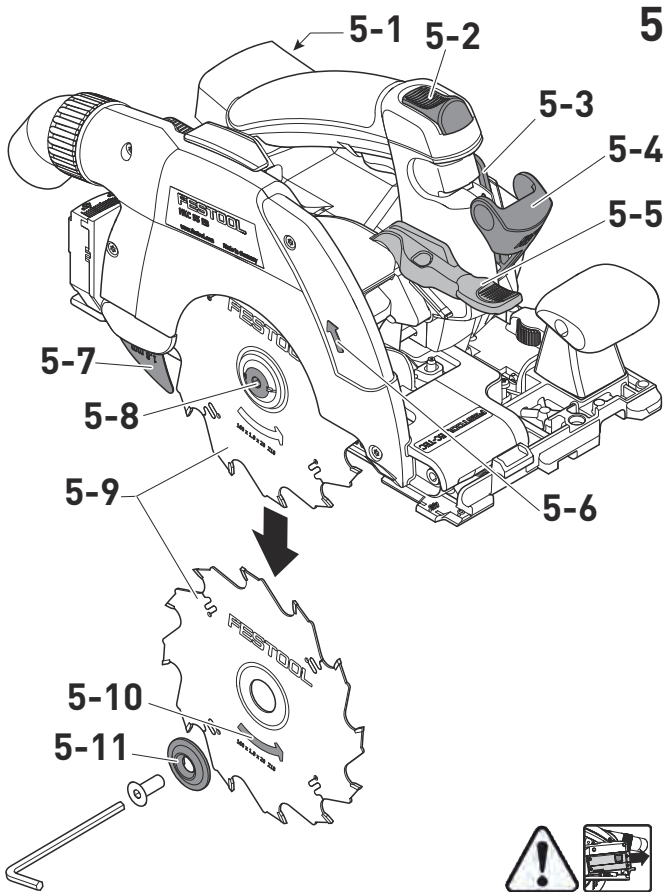
Montage de la lame de scie

AVERTISSEMENT ! Vérifiez l'absence de saletés sur les vis et la bride et n'utilisez que des pièces propres et intactes !

- Insérez la nouvelle lame de scie.

AVERTISSEMENT ! La lame de scie [5-10] et la scie [5-6] doivent tourner dans le même sens ! Il y a sinon un risque de blessures graves.

- ▶ Insérez la bride extérieure [5-11] de sorte que les ergots d'entraînement s'engagent dans l'évidement de la bride intérieure.
- ▶ Relâcher le levier de rappel [5-5] et laisser le capot de protection pendulaire [5-7] revenir à sa position définitive.
- ▶ Serrez la vis [5-8].
- ▶ Ramenez le levier [5-4] dans sa position initiale.



Aspirateur Festool

Le raccord d'aspiration [6-1] permet de raccorder un aspirateur Festool équipé d'un tuyau de 1-1/16"/1-17/64" (27/32 mm) ou 1-7/16" (36 mm) de diamètre (conseil : un tuyau de 36 mm de diamètre réduit le risque de colmatage).

La pièce de raccordement d'un tuyau d'aspiration \varnothing 1-1/16" (27 mm) est placée dans la pièce coudée. La pièce de raccordement d'un tuyau d'aspiration \varnothing 1-7/16" (36 mm) est placée sur la pièce coudée.

ATTENTION ! Si vous n'utilisez pas de tuyau d'aspiration antistatique, une accumulation d'électricité statique est possible. L'utilisateur risque alors de subir un choc électrique et l'électronique de l'outil électroportatif risque d'être endommagée.

8.7 Aspiration



AVERTISSEMENT

Risques pour la santé dus aux poussières

- ▶ Ne jamais travailler sans aspirateur.
- ▶ Utiliser uniquement un aspirateur conçu pour collecter le type spécifique de poussières et particules provenant du matériau coupé.
- ▶ Respecter les réglementations de l'OSHA et de la NFPA pour garantir un environnement de travail sûr.

Aspiration intégrée

- ▶ Fixer la pièce de raccordement [6-2] du sac à poussière [6-3] au manchon d'aspiration [6-1] par une rotation à droite.
- ▶ Pour le vidage, retirer la pièce de raccordement du sac à poussière du manchon d'aspiration par une rotation à gauche.

9 Utilisation de l'outil électroportatif



Pendant l'utilisation, respectez toutes les consignes de sécurité indiquées ci-avant ainsi que les règles suivantes :

- Guider l'outil électroportatif contre la pièce à travailler seulement quand celui-ci est activé.

- **Avant chaque utilisation, contrôler le bon fonctionnement du capot de protection pendulaire au moyen du levier de rappel [1-4].** S'assurer qu'il n'est pas gêné dans son mouvement et qu'il ne touche ni la lame de scie ni d'autres pièces quels que soient l'angle et la profondeur de coupe. N'utiliser l'outil électroportatif que s'il fonctionne correctement.
- Fixez toujours la pièce de manière à ce qu'elle ne puisse pas bouger pendant l'utilisation de l'outil électroportatif.
- Assurez-vous que le tuyau d'aspiration ne risque pas de rester coincé pendant la durée de la coupe, que ce soit sur la pièce, sur le support de pièce ou contre des objets sur le sol.
- Pendant l'utilisation, **tenez toujours l'outil électroportatif des deux mains** par les poignées [1-1]. Cela est indispensable pour un travail précis et la réalisation de coupes plongeantes. Plongez la lame dans la pièce lentement et avec un mouvement régulier.
- Poussez toujours la scie vers l'avant [8-9], **jamais vers l'arrière** vers vous.
- En sélectionnant une vitesse d'avance adaptée, vous évitez une surchauffe des arêtes de coupe de la lame de scie et, dans le cas de coupes de matières plastiques, une fusion du plastique. Plus le matériau à scier est dur, plus la vitesse d'avance doit être faible.
- Assurez-vous avant l'utilisation que le bouton rotatif [1-12] est serré.
- **ATTENTION ! Risque de surchauffe !** Assurez-vous avant l'utilisation que la batterie est correctement enclenchée

9.1 Marche/Arrêt

- ▶ Tirer l'enclenchement [1-2] vers le haut.
- ▶ Enfoncer l'interrupteur [1-7] marche/arrêt.
Enfoncer = EIN
Relâcher = AUS

9.2 Signaux d'avertissement sonores

Des signaux d'avertissement sonores retentissent dans les états de fonctionnement suivants et l'outil électroportatif s'arrête :



peep

Batterie déchargée ou outil électroportatif en surcharge :

- ▶ Changement de batterie
- ▶ Réduire la charge de l'outil électroportatif

9.3 Sciage d'après tracé

Les indicateurs de coupe présentent le schéma de coupe sans rail de guidage :

Coupe 0° : [7-1]

Coupe 45° : [7-2]

9.4 Réalisation de coupes droites

Posez la scie avec la partie avant de la table de travail sur la pièce à usiner, mettez-la en marche et poussez-la dans le sens de la coupe.

9.5 Réalisation de découpes (coupes plongeantes)



Afin d'éviter tout risque de recul, il est impératif d'appliquer les consignes suivantes lors des coupes plongeantes :

- Toujours placer le bord arrière de la table de sciage de la scie contre une butée solidement fixée.
- Pour travailler avec le rail de guidage, placer la scie contre la butée anti-recul FS-RSP (accessoire), à fixer sur le rail de guidage.



Prudence ! Risque d'écrasement !

Pour le réglage des coupes plongeantes sans guide, toujours tenir la machine. Ne jamais placer les doigts derrière ou sous la lame de scie !

Procédure à appliquer

- ▶ Régler la profondeur de coupe ; voir chap. 8.2 .
- ▶ Abaisser le levier [8-1].

Le bloc de sciage bascule vers le haut en position plongeante.

- ▶ Maintenir le levier de rappel [8-2] enfoncé jusqu'en butée.

Le capot de protection pendulaire [8-4] s'ouvre et libère la lame de la scie.

- ▶ Poser la scie sur la pièce et la placer contre une butée (butée anti-recul).
- ▶ Mettre la scie en marche.
- ▶ Abaisser lentement la scie jusqu'à ce qu'elle s'enclenche à la profondeur de coupe réglée, relâcher le levier de rappel [8-2] et avancer dans le sens de coupe [8-9].

À la profondeur de coupe maximale et en combinaison avec le rail de guidage, l'encoche [8-3] indique le point de coupe de la lame de scie (∅ 160 mm) situé le plus en arrière.

9.6 Marche/Arrêt

- ▶ Tirer l'enclenchement [1-2] vers le haut.
- ▶ Enfoncer l'interrupteur [1-7] marche/arrêt.
Enfoncer = EIN

Relâcher = AUS

9.7 Signaux d'avertissement sonores

Des signaux d'avertissement sonores retentissent dans les états de fonctionnement suivants et l'outil électroportatif s'arrête :



Batterie déchargée ou outil électroportatif en surcharge :

peep

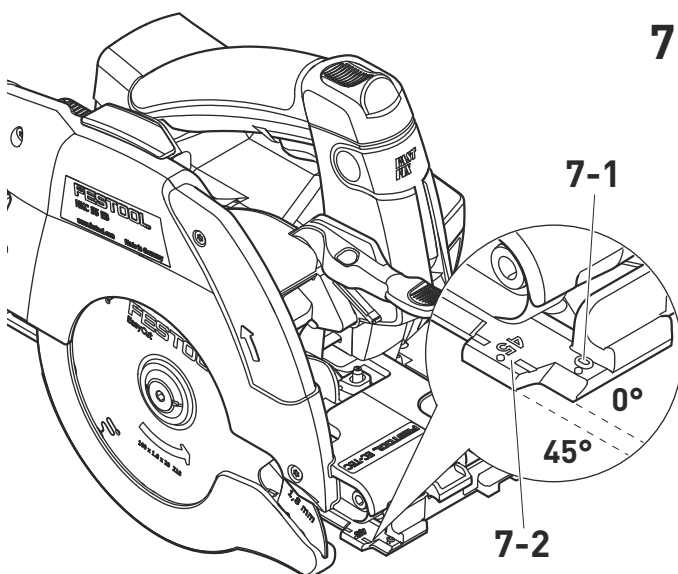
- ▶ Changement de batterie
- ▶ Réduire la charge de l'outil électroportatif

9.8 Sciage d'après tracé

Les indicateurs de coupe présentent le schéma de coupe sans rail de guidage :

Coupe 0° : [7-1]

Coupe 45° : [7-2]



9.9 Réalisation de coupes droites

Posez la scie avec la partie avant de la table de travail sur la pièce à usiner, mettez-la en marche et poussez-la dans le sens de la coupe.

9.10 Réalisation de découpes (coupes plongeantes)



Afin d'éviter tout risque de recul, il est impératif d'appliquer les consignes suivantes lors des coupes plongeantes :

- Toujours placer le bord arrière de la table de sciage de la scie contre une butée solidement fixée.
- Pour travailler avec le rail de guidage, placer la scie contre la butée anti-recul FS-RSP (accessoire), à fixer sur le rail de guidage.



Prudence ! Risque d'écrasement !

Pour le réglage des coupes plongeantes sans guide, toujours tenir la machine. Ne jamais placer les doigts derrière ou sous la lame de scie !

Procédure à appliquer

- ▶ Régler la profondeur de coupe ; voir chap. 8.2 .

- ▶ Abaisser le levier [8-1].

Le bloc de sciage bascule vers le haut en position plongeante.

- ▶ Maintenir le levier de rappel [8-2] enfoncé jusqu'en butée.

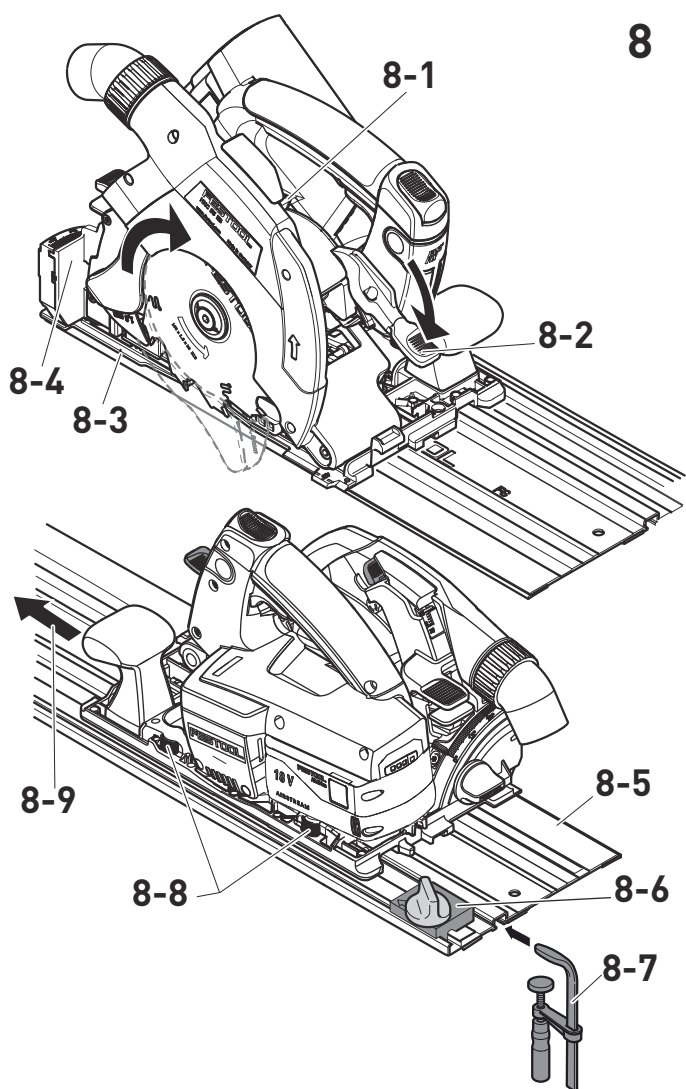
Le capot de protection pendulaire [8-4] s'ouvre et libère la lame de la scie.

- ▶ Poser la scie sur la pièce et la placer contre une butée (butée anti-recul).


- ▶ Mettre la scie en marche.

- ▶ Abaisser lentement la scie jusqu'à ce qu'elle s'enclenche à la profondeur de coupe réglée, relâcher le levier de rappel [8-2] et avancer dans le sens de coupe [8-9].

À la profondeur de coupe maximale et en combinaison avec le rail de guidage, l'encoche [8-3] indique le point de coupe de la lame de scie (Ø 160 mm) situé le plus en arrière.



8

 Le nettoyage régulier de la machine, notamment des dispositifs de réglage et de guidage, constitue un facteur de sécurité important.

Respecter les consignes suivantes :

- ▶ Sauf indication contraire dans la notice d'utilisation, les dispositifs de protection et pièces endommagés (p. ex. un levier de changement d'outil **[1-3]**) doivent être réparés ou remplacés dans les règles de l'art par un atelier spécialisé agréé.
- ▶ Pour garantir la circulation de l'air, les ouïes de ventilation sur le boîtier doivent toujours rester propres et dégagées.
- ▶ Aspirez tous les orifices pour retirer les éclats et copeaux de l'outil électroportatif. N'ouvrez jamais le couvercle de protection.
- ▶ Le capot de protection pendulaire doit toujours pouvoir se fermer de lui-même et bouger sans être gêné dans son mouvement. La zone entourant le capot de protection pendulaire doit toujours rester propre. Retirer la poussière et les copeaux à l'air comprimé ou avec un pinceau.
- ▶ Veillez à ce que les contacts de branchement sur l'outil électroportatif, le chargeur et la batterie restent propres.
- ▶ En cas d'utilisation sur des panneaux de fibres à liant plâtre et à liant ciment, nettoyer très soigneusement l'appareil. Nettoyez les ouvertures de ventilation de l'outil électroportatif et de l'interrupteur marche/arrêt avec de l'air comprimé sec et sans huile. Sinon, de la poussière contenant du plâtre peut se déposer dans le boîtier de l'outil électroportatif de même que sur l'interrupteur marche/arrêt, puis durcir sous l'effet de l'humidité de l'air. Ceci peut compromettre le bon fonctionnement du mécanisme de commutation

Vérifier que les avertissements figurant sur l'outil électroportatif sont lisibles et au complet. Remplacer les avertissements manquants ou illisibles.

10 Entretien et maintenance



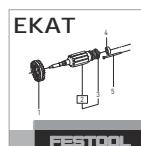
AVERTISSEMENT

Risque de blessures, décharge électrique

- ▶ Avant toutes les opérations de maintenance et d'entretien, toujours retirer la batterie de l'outil électroportatif.
- ▶ Toutes les opérations de maintenance et de réparation nécessitant l'ouverture du boîtier du moteur doivent uniquement être effectuées par un atelier de service après-vente agréé.



Service après-vente et réparation uniquement par le fabricant ou des ateliers homologués. Pour trouver l'adresse la plus proche : www.festoolusa.com/service



Utiliser uniquement des pièces détachées Festool d'origine ! Réf. sur : www.festoolusa.com/service

11 Accessoires

Utilisez uniquement les accessoires Festool et consommables Festool d'origine prévus pour cette machine, car ces composants systèmes sont parfaitement adaptés les uns par rapport aux autres. Si vous utilisez des accessoires et consommables d'autres marques, la qualité du résultat peut être dégradée et les recours en garantie peuvent être soumis à des restrictions.

L'usure de la machine ou votre charge personnelle peuvent augmenter selon chaque application. Pour cette raison, protégez-vous, votre machine et vos droits à la garantie en utilisant exclusivement des accessoires Festool et des consommables Festool d'origine !

Les références des accessoires et des outils figurent dans le catalogue Festool ou sur Internet sous "www.festoolusa.com".

Outre les accessoires décrits, Festool propose une vaste palette d'accessoires système permettant une utilisation polyvalente et efficace de la scie, par ex. :

- Guide parallèle, extension de table PA-HKC 55
- Butée anti-recul FS-RSP
- Guide parallèle FS-PA et rallonge FS-PA-VL
- Cache latéral, joints d'ajourages ABSA-TS 55

11.1 Lames de scie, autres accessoires

Afin de pouvoir découper rapidement et proprement différents matériaux, Festool propose des lames de scie spécialement adaptées à la scie Festool et à tous les cas d'utilisation.

11.2 Rail de guidage

Le rail de guidage permet d'obtenir des coupes précises et nettes. Il protège par ailleurs la surface de la pièce contre tout dommage.

En combinaison avec les nombreux accessoires proposés, le système de guidage permet d'effectuer des coupes en biais, des coupes d'onglet et des opérations d'ajustage précises. La possibilité de fixation au moyen de serre-joints **[8-7]** garantit un maintien fiable et un travail en toute sécurité.

- ▶ Régler le jeu de guidage de la table de sciage sur le rail de guidage avec les deux touches de réglage **[8-8]**.

Avant la première utilisation du rail de guidage, scier le pare-éclats **[8-5]** :

- ▶ Placer la plaque de guidage entière de la machine sur l'extrémité arrière du rail de guidage,
- ▶ basculer la scie en position 0° et la régler sur la profondeur de coupe maximale,
- ▶ mettre la scie en marche.
- ▶ Scier lentement le pare-éclats sur toute la longueur sans s'arrêter.

L'arête du pare-éclats correspond alors exactement à l'arête de coupe.

11.3 Rail de coupe d'onglet

Le rail de coupe d'onglet est destiné au sciage de bois et de panneaux.

Il permet des coupes précises et nettes. Les coupes en biais, notamment, sont réalisables facilement et avec une grande précision de ré-pétabilité. La scie revient automatiquement dans sa position de départ une fois la coupe terminée.

Respecter la notice d'utilisation du rail de coupe d'onglet FSK

11.4 SYSTAINER

Systainer

De nombreux produits Festool sont fournis dans une caisse exclusive, appelée "Systainer". Celle-ci permet de protéger et de ranger des outils et des appareils complémentaires. Les Systainer sont empilables et peuvent être solidarisés. En outre, il se fixent sur les aspirateurs CT Festool.

Pour ouvrir le Systainer



Tournez le T-loc **[SYS-b-1]** à cette position.

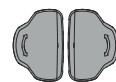
Pour fermer le Systainer



Tournez le T-loc **[SYS-b-1]** à cette position.

Pour connecter deux Systainers

Placez un Systainer au dessus de l'autre **[SYS-a]**.

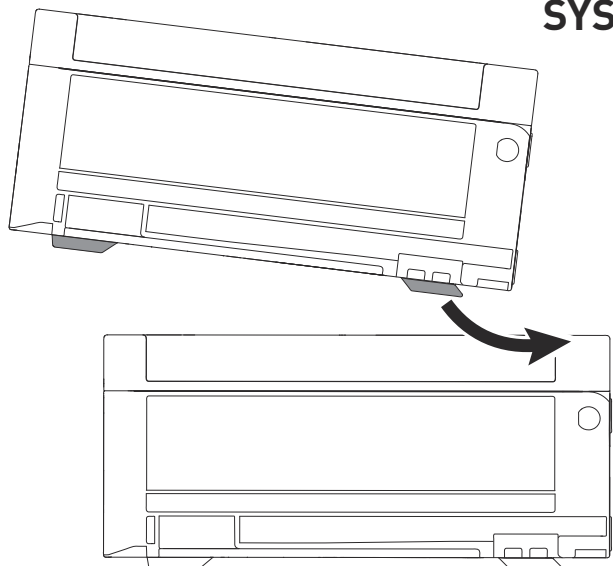
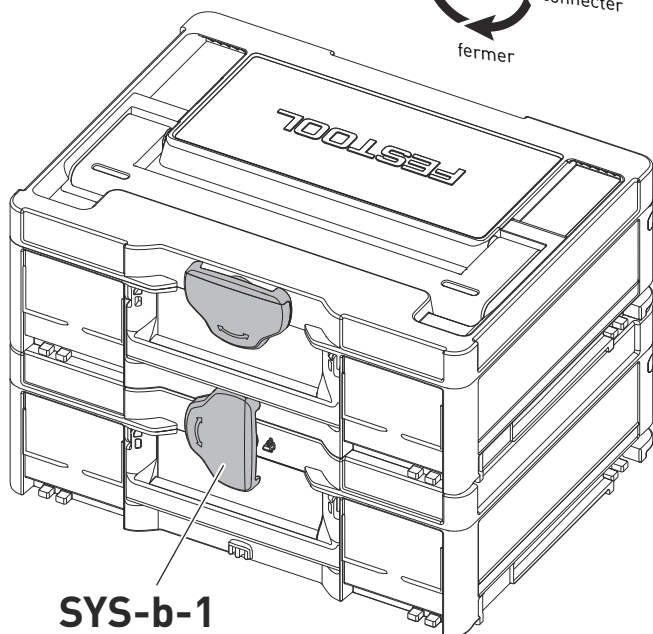
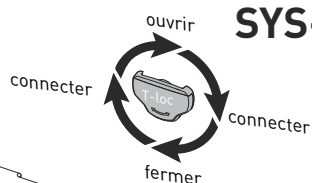


Tournez le T-loc **[SYS-b-1]** à une de cette positions (Fig. **[SYS-b]**).

Les Systainers sont combinés.

- ① Un Systainer Classic Line peut être relié par en bas à un Systainer T-Loc ou à un Systainer³ avec ses quatre éléments de verrouillage

Un Systainer T-Loc peut être relié à un Systainer³ à la fois par le bas et par le haut.

SYS-a**SYS-b****SYS-b-1****12 Environnement**

Ne jetez pas l'appareil avec les ordures ménagères ! Éliminez l'appareil, les accessoires et les emballages de façon compatible avec l'environnement. Respectez les prescriptions nationales en vigueur.

Mise au rebut des batteries**AVERTISSEMENT****Risque d'incendie ou de blessures**

- ▶ Ne tentez pas de désassembler la batterie ou d'enlever tout composant faisant saillie des bornes de batterie.
- ▶ Avant la mise au rebut, protégez les bornes exposées à l'aide d'un ruban isolant épais pour prévenir le court-circuitage.

13 Remarques générales**13.1 Informations relatives à la protection des données**

L'outil électroportatif contient une puce permettant l'enregistrement automatique des données d'outil et de fonctionnement. Les données enregistrées ne contiennent aucune référence directe aux personnes.

Les données peuvent être lues sans contact à l'aide d'appareils spéciaux. Elles sont utilisées par Festool uniquement pour le diagnostic d'erreurs, la gestion des réparations et de la garantie, ainsi que pour l'amélioration de la qualité et/ou le perfectionnement de l'outil électroportatif. Toute utilisation des données dépassant ce cadre – sans l'accord exprès du client – est exclue.















13.2 Bluetooth®

La marque verbale Bluetooth® et les logos sont des marques déposées de Bluetooth SIG, Inc. et sont utilisés sous licence par TTS Tooltechnic Systems AG & Co. KG et donc par Festool GmbH.

Índice de contenidos

1	Símbolos.....	37
2	Sobre este manual.....	38
3	Indicaciones de seguridad.....	38
4	Uso conforme a lo previsto.....	43
5	Datos técnicos.....	44
6	Componentes de la herramienta.....	44
7	Batería.....	44
8	Ajustes.....	45
9	Trabajo con la herramienta eléctrica.....	48
10	Mantenimiento y cuidado.....	50
11	Accesorios.....	51
12	Medio ambiente.....	52
13	Observaciones generales.....	53

1 Símbolos

-  Aviso de peligro general
-  Peligro de electrocución
-  ¡Leer el manual de instrucciones y las indicaciones de seguridad!
-  Usar protección para los oídos
-  Utilizar guantes de protección al cambiar de herramienta y al trabajar con materiales ásperos.
-  Utilizar protección respiratoria.
-  Utilizar gafas de protección
-  Sentido de giro de la sierra y de la hoja de sierra
-  Freno electrodinámico de marcha por inercia
-  Medidas de la hoja de serrar a ... Diámetro
-  La herramienta cuenta con un chip para el almacenamiento de datos. Ver apartado 13.1
-  Consejo, indicación
-  Guía de procedimiento
-  Insertar la batería



Soltar la batería



¡Peligro de aplastamiento de dedos y manos!



¡Zona peligrosa! ¡Mantener alejadas las manos!

V voltios

A amperios

Hz hertzios

~
a.c. tensión alterna

—
d.c. tensión continua

n_0 revoluciones por minuto en vacío

rpm
 min^{-1} revoluciones por minuto

" pulgada

lb. libras



diámetro

° grado angular

Nm Newton metro

mm milímetro



PRECAUCIÓN Para uso solamente con las baterías FESTOOL BP 18






PELIGRO Mantenga las manos y el cuerpo alejados de la espada y a un lado de ella. El contacto con la espada provocará heridas graves.

ADVERTENCIA Compruebe el sistema de seguridad. Debe cubrir la espada en el acto. Sujete la sierra con ambas manos. Tarea de apoyo y sujeción.

2 Sobre este manual


Guarde estas instrucciones

Es importante que usted lea y entienda este manual. La información que contiene se relaciona con la protección de **su seguridad y la prevención de problemas**. Los símbolos que siguen se utilizan para ayudarlo a reconocer esta información.

	PELIGRO	Descripción de peligro inminente y fracaso para evitar riesgos que podran causar la muerte.
	ADVERTENCIA	Descripción de peligro y posibles lesiones resultantes o la muerte.
	PRECAUCIÓN	Descripción de peligro y posibles lesiones resultantes.
	AVISO	Descripción de los posibles daños en el dispositivo o en su entorno.

3 Indicaciones de seguridad

3.1 Instrucciones generales de seguridad para herramientas eléctricas

 **¡ADVERTENCIA!** Leer todas las indicaciones de seguridad, instrucciones, ilustraciones y datos técnicos que acompañan a esta herramienta eléctrica. Si no se cumplen debidamente las instrucciones siguientes, puede producirse una descarga eléctrica, quemaduras o lesiones graves.

Guarde todas las indicaciones de seguridad e instrucciones para que sirvan de futura referencia.

El término «herramienta eléctrica» empleado en las indicaciones de seguridad hace referencia a herramientas eléctricas conectadas a la red eléctrica (con un cable de red) o a herramientas eléctricas alimentadas con batería (sin cable de red).

1 SEGURIDAD EN EL LUGAR DE TRABAJO

- Mantenga su zona de trabajo limpia y bien iluminada.** El desorden o la falta de iluminación en las zonas de trabajo pueden dar lugar a accidentes.
- No trabaje con la herramienta eléctrica en entornos potencialmente explosivos donde se encuentren líquidos, gases o polvos inflamables.** Las herramientas eléctricas

producen chispas que pueden inflamar el polvo o los vapores.

- Mantenga a niños y adultos alejados de la herramienta eléctrica durante el uso.** Si se distrae, puede perder el control de la herramienta eléctrica.

2 SEGURIDAD ELÉCTRICA

- El conector de la herramienta eléctrica debe encajar en el enchufe. El conector no debe modificarse en modo alguno. No utilice conectores adaptadores con herramientas eléctricas con puesta a tierra.** Unos conectores intactos y unos enchufes adecuados reducen el riesgo de descarga eléctrica.
- Evite el contacto físico con superficies con puesta a tierra como las de tuberías, calefacciones, cocinas y frigoríficos.** Existe un riesgo elevado de descarga eléctrica si su cuerpo está en contacto con la tierra.
- Mantenga las herramientas eléctricas lejos de la lluvia y la humedad.** La penetración de agua en una herramienta eléctrica aumenta el riesgo de descarga eléctrica.
- No utilice el cable de conexión para transportar o colgar la herramienta eléctrica ni para extraer el conector del enchufe. Mantenga el cable de conexión alejado del calor, aceite, cantos afilados o piezas en movimiento.** Los cables de conexión dañados o enredados aumentan el riesgo de descarga eléctrica.
- Si trabaja con una herramienta eléctrica al aire libre, utilice únicamente alargadores aptos para el uso en exteriores.** El empleo de alargadores aptos para el uso en exteriores reduce el riesgo de descarga eléctrica.
- Cuando sea inevitable el uso de la herramienta eléctrica en un entorno húmedo, utilice un interruptor diferencial.** El uso de un interruptor diferencial reduce el riesgo de que se produzca una descarga eléctrica.

3 SEGURIDAD DE LAS PERSONAS

- Sea cuidadoso, preste atención a lo que está haciendo y actúe con prudencia al trabajar con herramientas eléctricas. No utilice ninguna herramienta eléctrica si está cansado o bajo los efectos de drogas, alcohol o medicamentos.** Una mínima distracción mientras está utilizando la herramienta eléctrica puede ocasionarle graves lesiones.

- b. **Lleve puesto el equipo de protección individual y utilice gafas de protección en todo momento.** El empleo del equipamiento de protección personal como p. ej. mascarilla, guantes de seguridad antideslizantes, casco o protección de oídos, según el tipo y la aplicación de la herramienta eléctrica, reduce el riesgo de lesiones.
 - c. **Evite un arranque accidental de la herramienta. Asegúrese de que está desconectada antes de conectarla al suministro de corriente o la batería, recogerla o transportarla.** Existe peligro de accidente si transporta la herramienta eléctrica con el dedo sobre el interruptor o si conecta la herramienta eléctrica a la red estando encendida.
 - d. **Retire las herramientas de ajuste y las llaves de tornillos antes de conectar la herramienta eléctrica.** Si una herramienta o llave se encuentra en una pieza en movimiento de la herramienta eléctrica, pueden producirse lesiones.
 - e. **Evite una postura anormal del cuerpo. Procure un apoyo seguro y mantenga el equilibrio en todo momento.** De esta manera podrá controlar mejor la herramienta eléctrica en situaciones inesperadas.
 - f. **Utilice ropa adecuada. No utilice ropa ancha ni objetos de joyería o bisutería. Mantenga el pelo y la ropa alejados de las piezas en movimiento.** La ropa holgada, las joyas o el pelo largo pueden quedar atrapados por piezas en movimiento.
 - g. **Si se montan dispositivos de aspiración o recogida de polvo, estos deberán conectarse y utilizarse correctamente.** El empleo de un sistema de aspiración del polvo puede disminuir los peligros a causa del polvo.
 - h. **No se cree un falso sentido de la seguridad ni ignore las normas de seguridad de las herramientas eléctricas, ni siquiera si está muy familiarizado con el uso de la herramienta.** Una distracción durante el manejo puede derivar en graves lesiones en cuestión de pocas fracciones de segundo.
- más seguro en el rango de potencia especificado.
 - b. **No utilice ninguna herramienta eléctrica cuyo interruptor esté defectuoso.** Una herramienta eléctrica que no se pueda conectar o desconectar resulta peligrosa y es necesario repararla.
 - c. **Extraiga el conector del enchufe o retire la batería extraíble antes de efectuar los ajustes de la herramienta, cambiar piezas o guardar la herramienta eléctrica.** Esta medida de seguridad impide el arranque accidental de la herramienta eléctrica.
 - d. **Mantenga las herramientas eléctricas que no esté utilizando fuera del alcance de los niños. No permita que la herramienta eléctrica sea utilizada por personas que no estén familiarizadas con ella o no hayan leído las presentes indicaciones.** Las herramientas eléctricas en manos inexpertas pueden ser peligrosas.
 - e. **Trate las herramientas eléctricas y las herramientas intercambiables con cuidado. Compruebe si las partes móviles funcionan correctamente y no se atascan, y si hay piezas rotas o tan deterioradas que podrían mermar el funcionamiento de la herramienta eléctrica. Haga reparar las piezas deterioradas antes de usar la herramienta eléctrica.** Muchos accidentes tienen su origen en un mantenimiento deficiente de las herramientas eléctricas.
 - f. **Mantenga las herramientas cortantes limpias y afiladas.** Las herramientas cortantes bien cuidadas con aristas de corte afiladas se atascan menos y se guían más fácilmente.
 - g. **Utilice la herramienta eléctrica, las herramientas intercambiables, etc., de acuerdo con estas instrucciones. Para ello, tenga en cuenta las condiciones de trabajo y la actividad que debe realizar.** El uso de herramientas eléctricas en aplicaciones diferentes a las previstas puede dar lugar a situaciones peligrosas.
 - h. **Mantenga las superficies de agarre y los mangos secos, limpios y libres de aceite y grasa.** Un mango o unas superficies de agarre resbaladizos no permiten un manejo y control seguros de la herramienta eléctrica en situaciones imprevistas.

4 USO Y MANEJO DE LA HERRAMIENTA ELÉCTRICA

- a. **No sobrecargue la herramienta eléctrica. Utilice la herramienta eléctrica adecuada para el trabajo que va a realizar.** Con la herramienta apropiada trabajará mejor y

5 USO Y MANEJO DE LA HERRAMIENTA A BATERÍA

- a. **Las baterías deben cargarse exclusivamente en cargadores recomendados por el fabricante.** Existe riesgo de incendio si un cargador apto para un determinado tipo de batería se utiliza con otras baterías.
- b. **Utilice solo las baterías previstas en las herramientas eléctricas en cuestión.** El uso de otras baterías puede provocar lesiones y riesgo de incendio.
- c. **Mantenga la batería que no utilice alejada de clips, monedas, llaves, clavos, tornillos o cualquier otro objeto metálico pequeño que pueda provocar el puenteo de los contactos.** Un cortocircuito entre los contactos de la batería puede causar quemaduras o fuego.
- d. **Si la batería se utiliza incorrectamente, pueden producirse fugas de líquido. Evite el contacto con este líquido. En caso de contacto accidental, enjuague con agua. Si el líquido entra en contacto con los ojos, busque además asistencia médica.** El líquido derramado de la batería puede causar irritaciones en la piel o quemaduras.
- e. **No utilice baterías dañadas o modificadas.** Una batería dañada o modificada puede presentar un comportamiento imprevisible y producir fuego o explosiones o entrañar peligro de lesiones.
- f. **No exponga las baterías al fuego ni a altas temperaturas.** El fuego o una temperatura por encima de 130 °C puede originar una explosión.
- g. **Siga todas las instrucciones para la carga y no cargue la batería ni la herramienta a batería fuera del rango de temperatura especificado en el manual de instrucciones.** Una carga incorrecta o fuera del rango de temperatura permitido puede dañar la batería e incrementar el peligro de incendio.

6 SERVICIO


- a. **Encargue la reparación de su herramienta eléctrica únicamente a personal técnico cualificado y solo con piezas de recambio originales.** De esta forma queda garantizada la seguridad de la herramienta eléctrica.
- b. **Nunca realice trabajos de mantenimiento en una batería dañada.** Únicamente el fabricante o los centros autorizados del Servicio de Atención al Cliente pueden llevar a

cabo los trabajos de mantenimiento de las baterías.

- c. **Utilice exclusivamente piezas originales para la reparación y el mantenimiento de la herramienta.** El uso de accesorios o piezas de recambio no previstos puede producir descargas eléctricas o lesiones.

3.2 Indicaciones de seguridad específicas para sierras circulares

Procedimiento de corte

-  **¡PELIGRO! No introduzca las manos en la zona de serrado ni las acerque a la hoja de sierra. Sujete el mango adicional o la carcasa del motor con la mano que queda libre.** Si se sujeta la sierra circular con ambas manos, la hoja de sierra no podrá dañarlas.
- **No agarre la pieza de trabajo por debajo.** La caperuza de protección no puede protegerle de la hoja de sierra por debajo de la pieza de trabajo.
- **Ajuste la profundidad de corte según el grosor de la pieza de trabajo.** Por debajo de la pieza de trabajo debe quedar a la vista menos que una altura completa de diente.
- **Nunca sujete la pieza de trabajo que va a serrar con la mano o sobre la pierna. Fije la pieza de trabajo en un alojamiento estable.** Es muy importante fijar correctamente la pieza de trabajo para minimizar los riesgos de contacto con el cuerpo, los atascos de la hoja de sierra o la pérdida de control.
- **La herramienta eléctrica debe sujetarse por las superficies de agarre aisladas cuando se lleven a cabo trabajos en los que la herramienta de corte pudiera entrar en contacto con cables eléctricos ocultos.** El contacto con una línea electrificada hace que las piezas metálicas de la herramienta eléctrica se vean sometidas a tensión y que se produzca una descarga eléctrica.
- **Utilice siempre un tope o una guía de canto recta cuando realice cortes longitudinales.** Esto mejora la precisión del corte y reduce las posibilidades de que la hoja de sierra se atasque.
- **Utilice siempre hojas de sierra con el debido tamaño y con un taladro de alojamiento adecuado (p. ej. romboidal o redondo).** Las hojas de sierra no compatibles con las piezas de montaje de la sierra tie-

nen una marcha descentrada y causan pérdida de control.

- **Nunca utilice bridas tensoras o tornillos de hojas de sierra dañados o incorrectos.** Las bridas tensoras y los tornillos de hojas de sierra han sido fabricados especialmente para su sierra con el propósito de obtener un rendimiento y una seguridad de servicio óptimos.

Contragolpes: causas e indicaciones de seguridad correspondientes

- Un contragolpe es una reacción inesperada de una hoja de sierra que se engancha, se bloquea o se ha alineado incorrectamente, lo cual puede producir que la sierra se salga de la pieza de trabajo de manera descontrolada y se desvíe hacia el operario;
- la hoja de sierra se bloquea al engancharse o atascarse en la ranura de serrado que se va estrechando y la fuerza del motor sacude la máquina hacia atrás en dirección al operario;
- si la hoja de sierra se tuerce o se alinea incorrectamente, los dientes de la parte posterior de la hoja de la sierra pueden engancharse en la superficie de la pieza de trabajo, de manera que la hoja de sierra sale de la ranura y salta hacia atrás en dirección al operario.

El contragolpe es la consecuencia de un uso incorrecto o inapropiado de la sierra. Puede evitarse si se siguen unas medidas de precaución adecuadas como las que se describen a continuación.

- **Sujete la sierra con ambas manos y coloque los brazos de tal modo que le permitan hacer frente a la fuerza de un posible contragolpe. Colóquese siempre en un lateral de la hoja de sierra, no la sitúe en línea con su cuerpo.** En caso de contragolpe la sierra circular puede saltar hacia atrás; sin embargo, el operario puede controlar la fuerza del contragolpe si aplica unas medidas adecuadas.
- **Si la hoja de sierra se engancha o desea interrumpir el trabajo, suelte el interruptor de conexión y desconexión y sujete la sierra dentro del material tranquilamente hasta que la hoja de sierra se detenga completamente. No intente retirar la sierra de la pieza de trabajo o tirar de la sierra hacia atrás mientras la hoja de sierra se esté moviendo, pues podría producirse un contragolpe.** Averigüe y subsane el mo-

tivo por el que la hoja de sierra se ha enganchado.

- **Cuando desee reanudar el trabajo con una sierra que se encuentre dentro de una pieza de trabajo, centre la hoja de sierra en la ranura de serrado y compruebe que los dientes de la sierra no se hayan enganchado en la pieza de trabajo.** Si la hoja de sierra se hubiera enganchado, puede salirse de la pieza de trabajo u ocasionar un contragolpe al volver a arrancarla.
- **Cuando trabaje con paneles grandes, apuntélos para reducir el riesgo de que se produzca un contragolpe por el enganche de una hoja de sierra.** Los paneles grandes pueden combarse por su propio peso. Los paneles deben apuntarse por ambos lados, tanto cerca de la ranura de serrado como en el canto.
- **No utilice hojas de sierra romas o dañadas.** Las hojas de sierra con dientes romos o mal alineados producen, a causa de una ranura de serrado demasiado estrecha, un rozamiento mayor, el bloqueo de la hoja de sierra y contragolpes.
- **Antes de comenzar a serrar, fije los ajustes de profundidad y los ángulos de corte.** Si durante las tareas de serrado se modifican los ajustes, la hoja de sierra puede bloquearse y podría causar un contragolpe.
- **Tenga especial precaución al realizar cortes de incisión en muros o en otras zonas que no pueda examinar.** La hoja de sierra que realiza la incisión puede bloquearse al serrar objetos ocultos y causar un contragolpe.

Función de la caperuza inferior de protección

- Antes de cada uso, comprobar que la caperuza inferior de protección se cierra correctamente. No utilizar la sierra si la caperuza inferior de protección no ofrece movilidad y no se cierra de inmediato. No bloquear nunca ni sujetar la caperuza inferior de protección cuando esté en posición abierta.** Si la sierra cae al suelo por accidente, la caperuza inferior de protección puede deformarse. Abrir la caperuza de protección mediante la palanca de retroceso y asegurarse de que se mueve sin dificultad y que no entra en contacto con la hoja de serrar ni con otras piezas en todos los ángulos y profundidades de corte.
- Comprobar el funcionamiento del resorte de la caperuza inferior de protección. No utilizar la sierra si la caperuza inferior de**

protección y el resorte no funcionan correctamente. Las piezas dañadas, los residuos pegajosos o la acumulación de virutas hacen que la caperuza de protección inferior funcione de forma retardada.

- c. **Abrir la caperuza inferior de protección a mano solo en el caso de cortes especiales, como pueden ser los «cortes de incisión o angulares».** Abrir la caperuza inferior de protección mediante la palanca de retroceso y soltarla en cuanto la hoja de serrar haya penetrado en la pieza de trabajo. En el resto de tareas de serrado la caperuza inferior de protección debe funcionar de forma automática.
- d. **No apoyar la sierra en el banco de trabajo o en el suelo sin haber comprobado que la caperuza inferior de protección cubre la hoja de serrar.** Una hoja de serrar sin protección que marcha por inercia mueve la hoja de serrar en sentido contrario al corte y sierra todo lo que está en su camino. Tener en cuenta el tiempo de marcha por inercia de la sierra.

Funcionamiento de la cuña de guía [1-5]

- a. **Cuando sea posible, utilizar la hoja de serrar apropiada para la cuña de guía. Si se utilizan las hojas de sierra con un disco de soporte grueso, se limita la función de la cuña de guía.** Para que la cuña de guía cumpla su función, el disco de soporte de la hoja de serrar debe ser más fino que la cuña de guía y el ancho del dentado debe ser mayor que el grosor de la cuña de guía. Si se utiliza una hoja de serrar gruesa, hay mayor riesgo de contragolpes.
- b. **No poner la sierra en funcionamiento con la cuña de guía torcida.** Incluso una avería sin importancia podría ralentizar el cierre de la caperuza de protección.

Indicaciones de seguridad adicionales

- **Esta herramienta eléctrica no se debe montar en una mesa de trabajo.** El montaje en mesas de trabajo de otros fabricantes o de fabricación propia puede mermar la seguridad de la herramienta eléctrica y provocar accidentes graves.
- **No colocar las manos en la expulsión de virutas.** Podría dañarse con las piezas giratorias.
- **Utilice herramientas de exploración adecuadas para detectar tuberías de abastecimiento ocultas o consulte a la compañía local de abastecimiento de energía.** El

contacto de la herramienta con cables eléctricos puede provocar fuego y descargas eléctricas. Si se daña una tubería de gas, puede provocar una explosión. La penetración en una tubería de agua ocasiona daños materiales.

- **Espere a que la máquina esté completamente parada antes de guardarla.** La herramienta giratoria podría engancharse, lo que podría causar la pérdida de control de la máquina.
- No hacer uso del aparato para trabajos por encima de la cabeza.
- **Al trabajar puede generarse polvo perjudicial/tóxico (p. ej., de pintura de plomo, algunos tipos de madera y metal).** El contacto o la inhalación de este polvo puede suponer una amenaza para la persona que realiza el trabajo o para aquellas que se encuentren cerca. Observe las normativas de seguridad vigentes en su país.



Utilice por el bien de su salud una mascarilla de protección respiratoria con filtro P2.

En espacios cerrados asegúrese de que haya suficiente ventilación y, en caso necesario, conecte un sistema móvil de aspiración.



- **Es imprescindible utilizar los equipos de protección personal adecuados:** protección para los oídos, gafas de protección, mascarilla para los trabajos que generan polvo, guantes de protección al trabajar con materiales rugosos y para cambiar de útil.
- **Al trabajar puede generarse polvo perjudicial/tóxico (p. ej. pintura de plomo, algunos tipos de madera y metal).** El contacto o la inhalación de este polvo pueden suponer una amenaza para la persona que realiza el trabajo o para aquellas que se encuentren cerca. Observe las normativas de seguridad vigentes en su país.
- Compruebe si los componentes de la carcasa presentan daños como fisuras o marcas blancas por esfuerzo. Haga reparar las piezas deterioradas antes de usar la herramienta eléctrica.
- **No utilizar fuentes de alimentación o baterías de otro fabricante con la herramienta eléctrica de batería. No utilizar cargadores de otro fabricante para cargar la batería.** El uso de accesorios no previstos por el

fabricante puede provocar una descarga eléctrica o accidentes graves.

3.3 Riesgos residuales

A pesar de cumplir todas las normas de construcción relevantes, al usar la máquina pueden derivarse peligros, p. ej. debidos a:

- contacto con la hoja de serrar en la zona de la abertura de arranque debajo de la mesa de serrar;
- contacto con la parte de la hoja de serrar que sobresale por debajo de la pieza de trabajo al cortar;
- contacto lateral con piezas giratorias: hoja de serrar, brida de sujeción, brida-tornillo;
- contragolpe de la máquina al atascarse con la pieza de trabajo;
- contacto con piezas en tensión al estar la carcasa abierta y el enchufe conectado;
- partes de la pieza de trabajo que salgan despedidas;
- partes de la pieza de trabajo que salgan despedidas como consecuencia de herramientas dañadas;
- emisión de ruidos;
- emisión de polvo.

3.4 Trabajos con aluminio



Al trabajar con aluminio deberá tener presente las siguientes medidas por motivos de seguridad:

- Conecte la máquina a un aparato de aspiración apropiado.
- Limpie regularmente el polvo que se acumula en la carcasa del motor de la máquina.
- Utilice una hoja de serrar de aluminio.
- Cierre la mirilla/la protección contra el vuelo de virutas.



¡Utilizar gafas de protección!

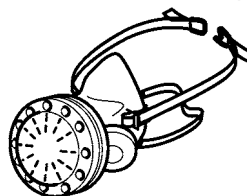
- Al serrar placas hay que lubricar con petróleo; los perfiles de capa delgada (hasta 3 mm) pueden trabajarse sin lubricación.

3.5 Riesgos para la salud producidos por el polvo



ADVERTENCIA! algunos polvos creados por lijadoras motorizadas, aserraderos, trituradores, perforadoras y otras actividades de construcción contienen sustancias químicas que se sabe (en el Estado de California) causan cáncer, defectos de nacimiento u otros daños al sistema reproductivo. Algunos ejemplos de estas sustancias químicas son:

- Plomo de las pinturas con base de plomo,
- Sílice cristalino de los ladrillos y cemento y otros productos de mampostería, y
- Arsénico y cromo de madera tratada con sustancias químicas.



El riesgo de exposición a estas sustancias varía, dependiendo de cuantas veces se hace este tipo de trabajo. Para reducir el contacto con estas sustancias químicas: trabaje en un área con buena ventilación y trabaje con equipo de seguridad aprobado, como mascarillas para el polvo diseñadas específicamente para filtrar partículas microscópicas.



ADVERTENCIA

PARA REDUCIR EL RIESGO DE LESIÓN, EL USUARIO DEBE LEER EL MANUAL DE INSTRUCCIÓN.

4 Uso conforme a lo previsto

Las Sierra circular a batería están diseñadas para serrar madera, materiales con características similares a la madera, materiales fibrosos de yeso o cemento aglomerado, así como plásticos.

Las máquinas equipadas con hojas de sierra especiales de Festool también pueden usarse para serrar metales ferrosos sin templar y metales no ferrosos.

Solo deben utilizarse hojas de sierra con los siguientes datos:

- Hojas de sierra según EN 847-1
- Diámetro hoja de sierra 6-1/4" (160 mm)
- Anchura de corte recomendada 5/64" (1.8 mm), máx. 3/32" (2.2 mm) con función limitada de la cuña de guía
- Taladro de alojamiento 25/32" (20 mm)

- Grosor de disco de soporte recomendado 3/64" (1.2 mm) - rango máx. posible entre 1.1 - 1.25 mm
- apto para n.º de revoluciones de hasta 9500 rpm

No utilizar discos de tronzar y lijar.

Serrar únicamente materiales adecuados para la hoja de sierra en cuestión.

Esta herramienta eléctrica solo debe ser utilizada por personal especializado o por personas que hayan recibido la formación adecuada.



El usuario será responsable de cualquier utilización indebida.

La herramienta eléctrica es apta para el uso con las baterías Festool de la serie BP de la misma clase de tensión.

5 Datos técnicos

Sierra circular a batería	HKC 55 EB
Tensión del motor	14.4 - 18 V
Número de revoluciones (marcha en vacío)	4500 rpm
Inclinación	de 0° a 50°
Profundidad de corte a 0°	0 - 2-1/8" (0 - 55 mm)
Profundidad de corte a 50°	1-1/2" (38 mm)
Medidas de la hoja de sierra	
recomendadas	6-1/4" x 5/64" x 25/32" (160 x 1.8 x 20 mm)
máx.	6-1/4" x 3/32" x 25/32" (160 x 2.2 x 20 mm)
Peso sin batería	7.5 lbs (3.4 kg)

6 Componentes de la herramienta

- [1-1]** Empuñaduras
- [1-2]** Bloqueo de conexión
- [1-3]** Palanca para cambio de herramienta
- [1-4]** Palanca de retroceso para la cubierta protectora basculante
- [1-5]** Cuña de partir

- [1-6]** Cubierta protectora basculante
- [1-7]** Interruptor de conexión y desconexión
- [1-8]** Palanca para la función de incisión
- [1-9]** Escala dividida en dos para el tope de profundidad de corte (con/sin riel de guía)
- [1-10]** Racor de aspiración
- [1-11]** Escala
- [1-12]** Botón giratorio para el ajuste del ángulo
- [1-13]** Ajuste de la profundidad de corte
- [1-14]** Tecla de indicación de la capacidad en la batería
- [1-15]** Indicación de capacidad
- [1-16]** Batería
- [1-17]** Tecla para aflojar la batería
- [1-18]** Mordazas de ajuste

Las imágenes con la dotación de suministro se encuentran en una hoja desplegable al comienzo de este manual de instrucciones. Cuando lea este manual, le recomendamos que despliegue esta página para disponer fácilmente de una vista general de la máquina.

Los accesorios representados o descritos no forman parte íntegra de la dotación de suministro.

7 Batería

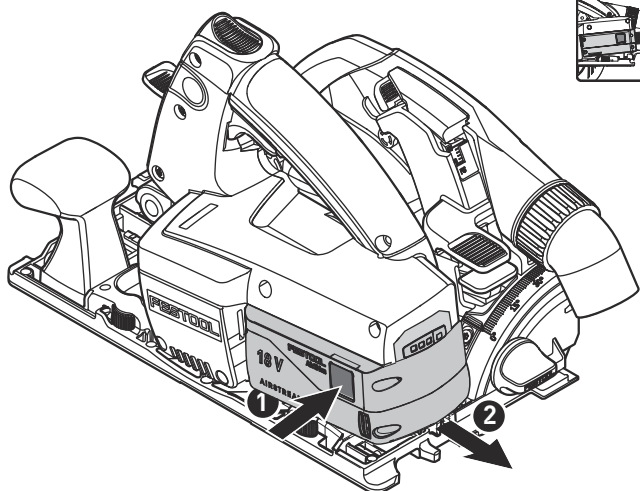
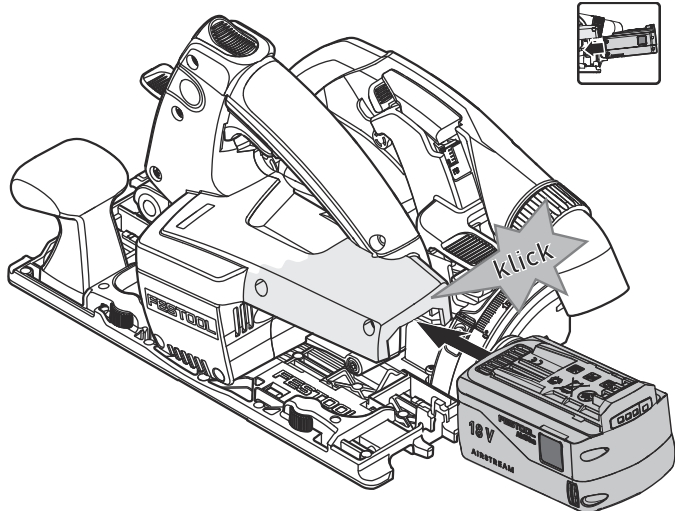
Antes de colocar la batería, comprobar que la conexión de la batería esté limpia. La suciedad en la conexión de la batería puede impedir el contacto correcto y dañar los contactos.

El contacto defectuoso puede ocasionar el sobrecalentamiento y daños en la herramienta.

- [2 A]** Extraer la batería.

- [2 B]** Colocar la batería, hasta que encaje.



2 A**2 B**

- i** Hallará más información sobre el cargador y la batería con indicación de la capacidad en el manual de instrucciones del cargador y de la batería.

8 Ajustes**ADVERTENCIA****Peligro de lesiones y electrocución**

- ▶ Antes de realizar cualquier trabajo en la máquina, extraiga la batería.

8.1 Sistema electrónico**Arranque suave**

El arranque suave mediante control electrónico garantiza una puesta en marcha de la máquina sin sacudidas.

Revoluciones constantes

El número de revoluciones del motor se mantiene constante gracias a un sistema electrónico. De este modo se consigue también una velocidad de corte estable bajo carga.

Limitación de corriente

La limitación de corriente evita un consumo de corriente demasiado alto en caso de una sobrecarga extrema. Esto puede causar una reducción de la velocidad del motor. Tras aliviarse la carga, el motor vuelve a ponerse en marcha inmediatamente.

Freno

La HKC 55 EB cuenta con un freno electrónico. Después de desconectarla, la hoja de serrar se frena electrónicamente en aprox. 2 s hasta que se detiene.

Protección contra re arranque

La protección contra re arranque integrada impide que la herramienta eléctrica se vuelva a poner en funcionamiento de forma automática tras una caída de la tensión si el interruptor de conexión y desconexión está accionado. En ese caso, la herramienta eléctrica debe desconectarse y después volver a conectarse.

Protector contra sobret temperatura

Si la temperatura del motor es demasiado elevada, el suministro de corriente y el número de revoluciones disminuyen. La máquina sólo funciona con una potencia baja para que pueda enfriarse rápidamente mediante la ventilación del motor. Una vez que se haya enfriado, la máquina vuelve a funcionar a plena potencia.

8.2 Ajuste de la profundidad de corte

La profundidad de corte puede ajustarse entre 0 y 2-3/16" (0 - 55 mm).

- ▶ Apretar el ajuste de profundidad de corte **[3-1]**.
- ▶ Tirar hacia arriba o empujar hacia abajo la empuñadura principal del grupo de serrado.

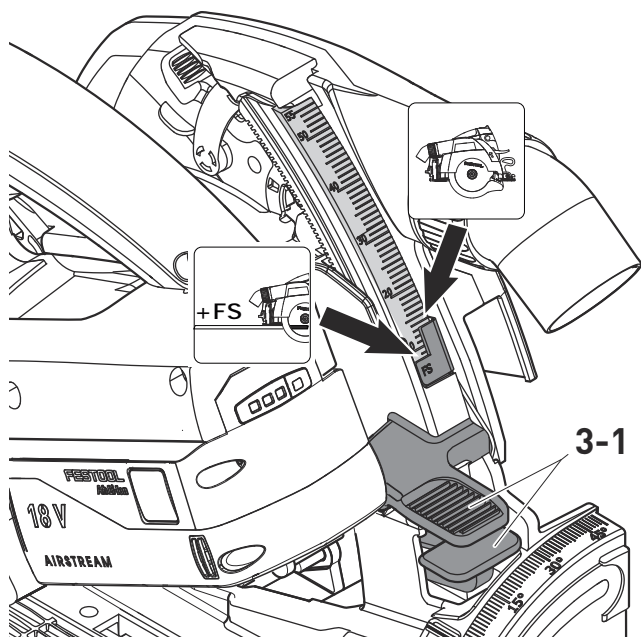


Profundidad de corte sin riel de guía/de tronzado
máx. 2-3/16" (55 mm)



Profundidad de corte con riel de guía/de tronzado
máx. 2-1/32" (51 mm)

3



8.3 Ajuste de ángulo de corte

i Al ajustar el ángulo de corte, la mesa de serrar debe estar colocada sobre una superficie plana.

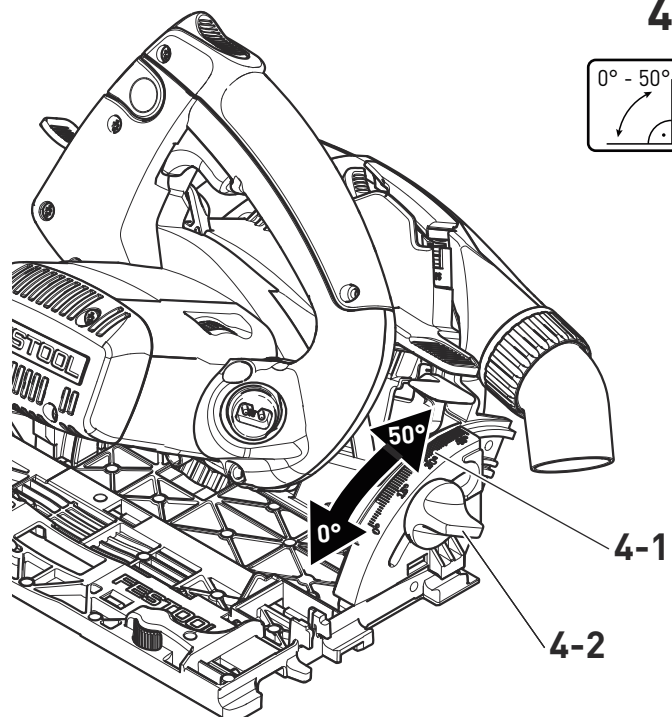
entre 0° y 50°:

- ▶ Abrir el botón giratorio [4-2].
- ▶ Inclinar el grupo de la sierra hasta el ángulo de corte deseado [4-1].
- ▶ Cerrar [4-2] el botón giratorio.

i Las dos posiciones (0° y 50°) vienen ajustadas de fábrica y pueden ser reajustadas por el servicio de atención al cliente.

i En los cortes angulares, la profundidad de corte es menor al valor indicado en la escala de la profundidad de corte.

4



8.4 Ajuste de la cubierta protectora basculante



PRECAUCIÓN

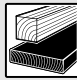



¡Riesgo de lesiones! ¡Bordes cortantes!
Si se suelta de repente, la cubierta protectora basculante vuelve hacia atrás rápidamente.

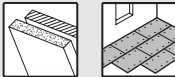
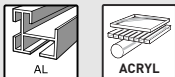
- ▶ La cubierta protectora basculante [1-6] debe abrirse únicamente con la palanca de retroceso [1-4].

8.5 Selección de la hoja de sierra

Las hojas de sierra Festool están identificadas con un anillo en color. El color del anillo indica el material para el que es apta la hoja de sierra.

ADVERTENCIA. ¡Riesgo de lesiones! El mecanismo del protector pendular no funciona. No utilizar hojas de sierra de diamante para serrar placas de cemento reforzadas con fibra.

Color	Material	Símbolo
Amarillo	Madera	 
Rojo	Laminado, material mineral	 

Color	Material	Símbolo
Verde	Planchas de madera aglomerada y de fibras aglutinadas con cemento y yeso	
Azul	Aluminio, plástico	

8.6 Cambio de la hoja de sierra



ADVERTENCIA

Peligro de lesiones

- ▶ Antes de llevar a cabo cualquier trabajo en la herramienta eléctrica, retirar de esta la batería.



PRECAUCIÓN

Riesgo de lesiones con herramientas calientes y afiladas

- ▶ No utilizar herramientas romas o defectuosas.
- ▶ Usar guantes de protección al manejar la herramienta.

Retirar la hoja de sierra

- ▶ Colocar la sierra en la posición de 0° y ajustar la profundidad de corte máxima antes de cambiar la hoja de sierra.
- ▶ Apoyar la sierra sobre la tapa del motor [5-1] para el cambio.
- ▶ Mover la palanca [5-4] hasta el tope.
- ▶ Desenroscar el tornillo [5-8] con la llave de macho hexagonal [5-3].
- ▶ Mantener la cubierta protectora basculante [5-7] abierta únicamente con la palanca de retroceso [5-5].
- ▶ Retirar la hoja de sierra [5-9].

Montaje de la hoja de sierra

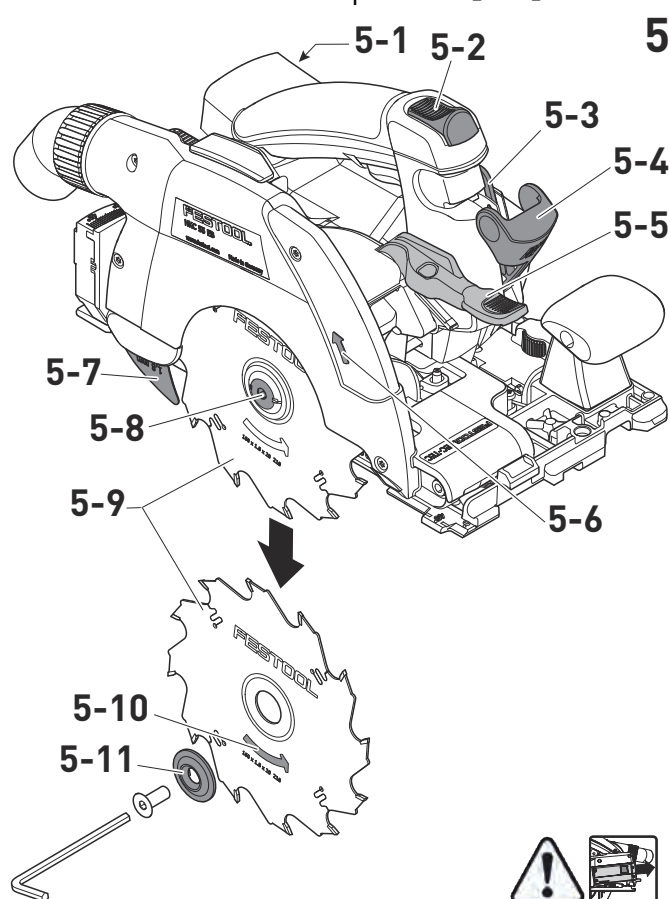
ADVERTENCIA. Comprobar si los tornillos y la brida están sucios y utilizar únicamente piezas limpias y que no presenten daños.

- ▶ Colocar la hoja de sierra nueva.

ADVERTENCIA. Los sentidos de giro de la hoja de sierra [5-10] y de la sierra [5-6] deben coincidir. Si no se sigue esta indicación, se pueden producir lesiones graves.

- ▶ Colocar la brida exterior [5-11] de manera que el taco de arrastre encaje en la entalladura de la brida interior.
- ▶ Soltar la palanca de retroceso [5-5] y dejar que la cubierta protectora basculante [5-7] vuelva a inclinarse en su posición definitiva.

- ▶ Apretar el tornillo [5-8].
- ▶ Hacer retroceder la palanca [5-4].



8.7 Aspiración



ADVERTENCIA

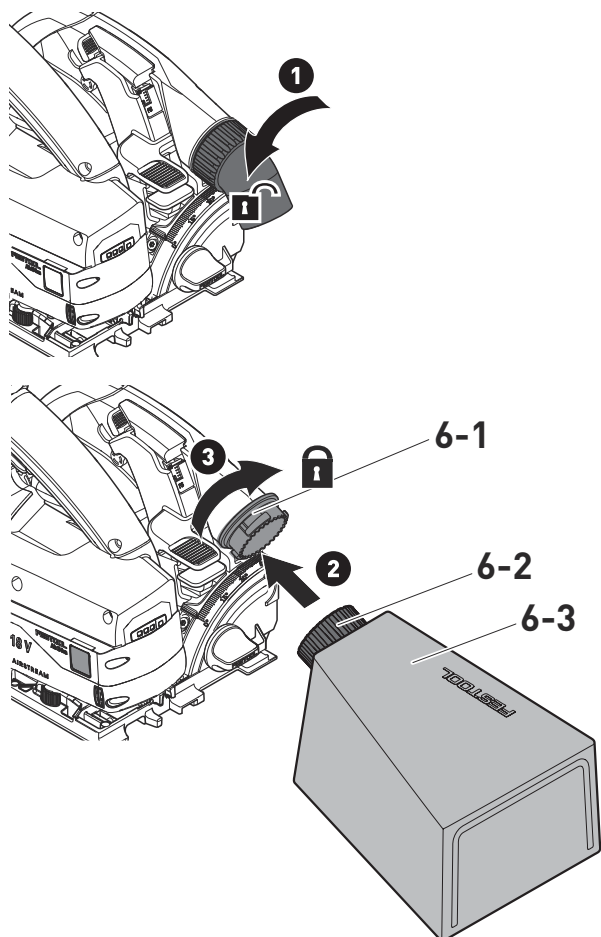
Peligro para la salud causado por el polvo

- ▶ Utilice siempre un aspirador.
- ▶ Utilice únicamente un aspirador diseñado para recoger el tipo de polvo y las partículas del material que se está cortando.
- ▶ Siga las normas OSHA y NFPA para garantizar un entorno de trabajo seguro.

Aspiración propia

- ▶ Fijar la pieza de conexión [6-2] de la bolsa colectora [6-3] con un giro a la derecha del racor de aspiración [6-1].
- ▶ Para el vaciado, extraer la pieza de conexión de la bolsa colectora con un giro a la izquierda del racor de aspiración.

6



Sistema móvil de aspiración de Festool

En el racor de aspiración [6-1] se puede conectar un sistema móvil de aspiración de Festool con un tubo flexible con un diámetro de 1-1/16"/1-17/64" (27/32 mm) o de 1-7/16" (36 mm) [se recomienda 36 mm, ya que el riesgo de obstrucción es menor].

La pieza de conexión de un tubo flexible de aspiración de 1-1/16" (27 mm) de diámetro se introduce en el codo. La pieza de conexión de un tubo flexible de aspiración de 1-7/16" (36 mm) de diámetro se introduce en el codo.

ATENCIÓN. Si no se utiliza un tubo flexible de aspiración antiestático, puede cargarse de energía estática. El usuario puede sufrir una descarga eléctrica y la electrónica de la herramienta eléctrica puede resultar dañada.

9 Trabajo con la herramienta eléctrica



Durante el trabajo tenga en cuenta todas las indicaciones de seguridad especificadas al principio, así como las siguientes reglas:

- Dirija la herramienta eléctrica hacia la pieza de trabajo solo cuando esté conectada.
- **Antes de cada uso, comprobar el funcionamiento de la cubierta protectora basculante con ayuda de la palanca de retroceso**

[1-4]. Comprobar que se mueve sin dificultad y que no entra en contacto con la hoja de sierra ni con otras piezas en ningún ángulo o profundidad de corte. Utilizar la herramienta eléctrica únicamente si funciona perfectamente.

- Fije la pieza de trabajo siempre de forma que no se pueda mover cuando se trabaje con ella.
- Asegúrese de que el tubo flexible de aspiración no se atasque durante el proceso de corte, ni en la pieza de trabajo, ni en el soporte de la pieza de trabajo o en puntos peligrosos del suelo.
- Al trabajar con la herramienta eléctrica, sujétela **siempre con ambas manos** por las empuñaduras [1-1]. Es imprescindible para trabajar y realizar incisiones con precisión. Incida en la pieza de trabajo de forma lenta y uniforme.
- Empuje la sierra siempre hacia delante [8-9], **no tirar en ningún caso hacia atrás.**
- Adaptar la velocidad de avance para evitar que se sobrecalienten los filos de la hoja de sierra o que se derrita el plástico al serrarlo. Cuanto más duro sea el material a serrar, menor debe ser la velocidad de avance.
- Antes de empezar a trabajar, cerciorarse de que el botón giratorio [1-12] esté fijamente enroscado.
- **ATENCIÓN. ¡Peligro de sobrecalentamiento!** Antes del uso, asegurarse de que la batería esté encajada de forma segura

9.1 Conexión y desconexión

- ▶ Subir el bloqueo de conexión [1-2].
- ▶ Pulsar el interruptor de conexión y desconexión [1-7].
pulsar = conectado
soltar = desconectado

9.2 Señales acústicas de advertencia

Las señales acústicas de advertencia se emiten en los siguientes estados de funcionamiento y la herramienta eléctrica se desconecta:



peep

La batería está vacía o la herramienta eléctrica sobrecargada:

- ▶ Cambie la batería
- ▶ Reduzca la carga de la herramienta eléctrica

9.3 Serrado por línea de corte

Los indicadores de corte indican el trazado de corte sin riel de guía

cortes a 0°: [7-1]

cortes a 45°: [7-2]

9.4 Serrar cortes

Colocar la sierra con la parte delantera de la mesa de serrar sobre la pieza de trabajo, conectar la máquina y avanzar en el sentido del corte.

9.5 Serrar segmentos (cortes de incisión)



A fin de evitar contragolpes al efectuar cortes de incisión, deberán observarse obligatoriamente las siguientes indicaciones:

- Colocar la sierra siempre con el canto posterior de la mesa de serrar contra un tope fijo.
- Al trabajar con el riel de guía, apoyar la sierra en la parada de contragolpe FS-RSP (accesorio) que, a su vez, va fijada al riel de guía.



¡Atención! ¡Peligro de aplastamiento!

Al ajustar cortes de incisión a mano alzada, siempre sujetar la máquina firmemente. Nunca poner los dedos detrás ni debajo de la hoja de sierra.

Procedimiento

- ▶ Ajustar la profundidad de corte; véase el cap. 8.2
- ▶ Pulsar hacia abajo la palanca [8-1].

El grupo de serrado se inclina hacia arriba hasta la posición de inserción.

- ▶ Mantener presionada la palanca de retroceso [8-2] hacia abajo, hasta el tope.

La cubierta protectora basculante [8-4] se abre y libera la hoja de sierra.

- ▶ Apoyar la sierra sobre la pieza de trabajo y colocarla sobre un tope (parada de contragolpe).
- ▶ Conectar la sierra.
- ▶ Empujar la sierra hacia abajo poco a poco sobre la profundidad de corte ajustada hasta que encaje, soltar la palanca de retroceso [8-2] y desplazarla en el sentido del corte [8-9].

La muesca [8-3] muestra, a la profundidad de corte máxima y si se utiliza el riel de guía, el punto de corte más atrasado de la hoja de serrar (160 mm Ø).

9.6 Conexión y desconexión

- ▶ Subir el bloqueo de conexión [1-2].

- ▶ Pulsar el interruptor de conexión y desconexión [1-7].

pulsar = conectado

soltar = desconectado

9.7 Señales acústicas de advertencia

Las señales acústicas de advertencia se emiten en los siguientes estados de funcionamiento y la herramienta eléctrica se desconecta:



La batería está vacía o la herramienta eléctrica sobrecargada:

peep

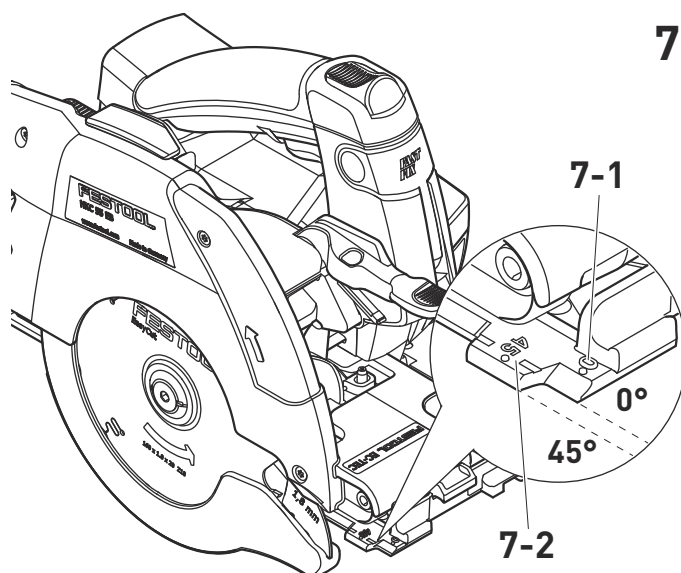
- ▶ Cambie la batería
- ▶ Reduzca la carga de la herramienta eléctrica

9.8 Serrado por línea de corte

Los indicadores de corte indican el trazado de corte sin riel de guía

cortes a 0°: [7-1]

cortes a 45°: [7-2]



9.9 Serrar cortes

Colocar la sierra con la parte delantera de la mesa de serrar sobre la pieza de trabajo, conectar la máquina y avanzar en el sentido del corte.

9.10 Serrar segmentos (cortes de incisión)



A fin de evitar contragolpes al efectuar cortes de incisión, deberán observarse obligatoriamente las siguientes indicaciones:

- Colocar la sierra siempre con el canto posterior de la mesa de serrar contra un tope fijo.
- Al trabajar con el riel de guía, apoyar la sierra en la parada de contragolpe FS-RSP

[accesorio] que, a su vez, va fijada al riel de guía.



¡Atención! ¡Peligro de aplastamiento!

Al ajustar cortes de incisión a mano alzada, siempre sujetar la máquina firmemente. Nunca poner los dedos detrás ni debajo de la hoja de sierra.

Procedimiento

- ▶ Ajustar la profundidad de corte; véase el cap. 8.2

- ▶ Pulsar hacia abajo la palanca [8-1].

El grupo de serrado se inclina hacia arriba hasta la posición de inserción.

- ▶ Mantener presionada la palanca de retroceso [8-2] hacia abajo, hasta el tope.

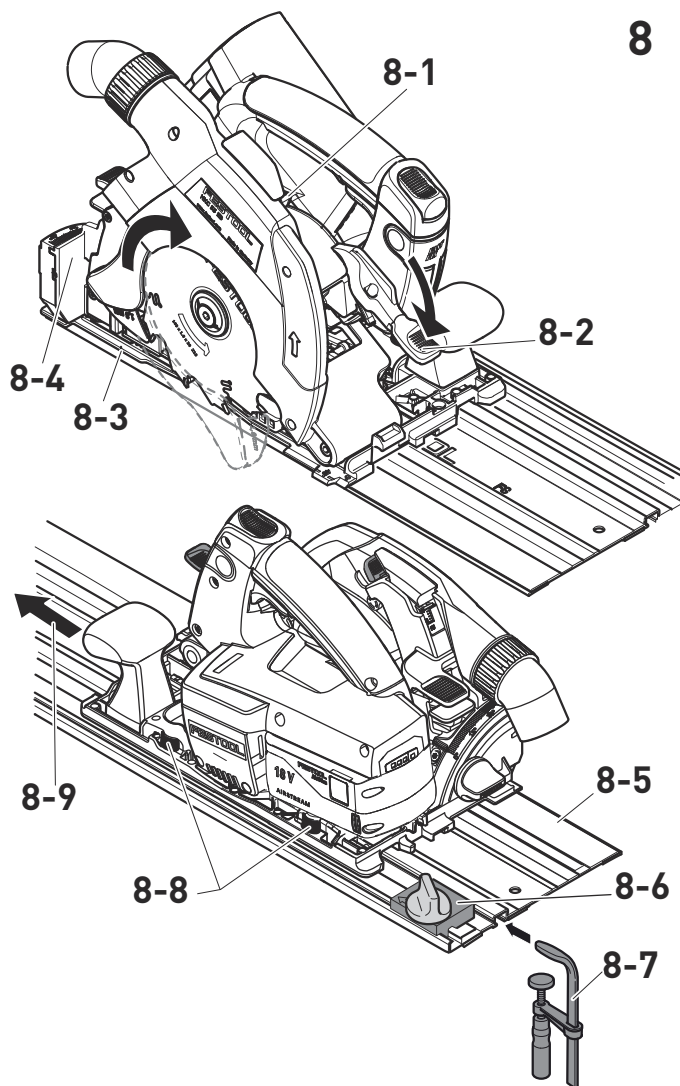
La cubierta protectora basculante [8-4] se abre y libera la hoja de sierra.

- ▶ Apoyar la sierra sobre la pieza de trabajo y colocarla sobre un tope (parada de contragolpe).

- ▶ Conectar la sierra.

- ▶ Empujar la sierra hacia abajo poco a poco sobre la profundidad de corte ajustada hasta que encaje, soltar la palanca de retroceso [8-2] y desplazarla en el sentido del corte [8-9].

La muesca [8-3] muestra, a la profundidad de corte máxima y si se utiliza el riel de guía, el punto de corte más atrasado de la hoja de serrar (160 mm Ø).



10 Mantenimiento y cuidado



ADVERTENCIA

Peligro de lesiones y electrocución

- ▶ Antes de llevar a cabo cualquier trabajo de cuidado o mantenimiento, retirar siempre la batería de la herramienta eléctrica.
- ▶ Todos los trabajos de mantenimiento y reparación que exijan abrir la carcasa del motor tan solo pueden ser llevados a cabo por un taller autorizado.



www.festoolusa.com/service

El servicio de atención al cliente y de reparaciones solo está disponible a través del fabricante o de los talleres de reparación. Dirección más cercana en: www.festoolusa.com/service



Utilizar solo piezas de recambio Festool originales. Referencia en: www.festoolusa.com/service



Una limpieza regular de la máquina, sobre todo de los dispositivos de ajuste y de las guías, representa un importante factor de seguridad.

Tener en cuenta las siguientes advertencias:

- ▶ Los dispositivos de protección y las piezas que presenten daños, p. ej una palanca para cambiar de herramienta **[1-3]**, deben ser reparados o sustituidos conforme a lo prescrito por un taller especializado autorizado, a menos que se especifique de otro modo en el manual de instrucciones.
- ▶ Con el fin de garantizar una correcta circulación del aire, las aberturas para el aire de refrigeración de la carcasa deben mantenerse despejadas y limpias.
- ▶ Aspirar en todos los orificios para limpiar las astillas y las virutas de la herramienta eléctrica. Nunca abra la tapa de protección.
- ▶ La cubierta protectora basculante debe moverse siempre libremente y poderse cerrar por sí sola. Mantener limpia la zona que rodea la cubierta protectora basculante. Limpiar el polvo y las virutas con una brocha o aplicando aire comprimido.
- ▶ Mantenga siempre limpios los puntos de conexión de la herramienta eléctrica, el cargador y la batería.
- ▶ Al trabajar con placas de fibras de yeso y aglomerado de cemento, limpiar la herramienta de forma minuciosa. Limpie los orificios de ventilación de la herramienta eléctrica y los del interruptor de conexión y desconexión con aire comprimido seco y sin aceite. De lo contrario podría sedimentarse polvo con yeso en la carcasa de la herramienta eléctrica y el interruptor de conexión y desconexión, y endurecerse tras entrar en contacto con la humedad ambiental. Esto podría conllevar problemas en el mecanismo de conmutación

Comprobar que todas las advertencias de la herramienta eléctrica sean legibles y estén completas. Reemplazar las advertencias que falten o que no sean legibles.

11 Accesorios

Utilice únicamente los accesorios Festool originales y el material de consumo Festool diseñados para esta máquina, puesto que los componentes de este sistema están óptimamente adaptados entre sí. La utilización de accesorios y material de consumo de otros fabricantes puede afectar a la calidad de los resultados de

trabajo y conllevar una limitación de los derechos de la garantía. El desgaste de la máquina o de su carga personal puede variar en función de la aplicación. Utilice únicamente accesorios originales y material de consumo de Festool para su propia protección y la de la máquina, así como de los derechos de la garantía.

Los números de pedido para los respectivos accesorios y herramientas se encuentran en su catálogo Festool o en la dirección de Internet "www.festoolusa.com".

Además de los accesorios descritos, Festool ofrece una amplia gama de accesorios de sistema que le permiten hacer un uso versátil y efectivo de la sierra, p. ej.:

- Tope paralelo, ampliación de mesa PA-HKC 55
- Parada de contragolpe FS-RSP
- Tope paralelo FS-PA y prolongación FS-PA-VL
- Protección lateral, machihembrados ABSA-TS 55

11.1 Hojas de sierra y otros accesorios

Para cortar diversos materiales de forma rápida y limpia, Festool le ofrece hojas de sierra compatibles con su sierra Festool y adecuadas para cualquier aplicación.

11.2 Riel de guía

El riel de guía permite realizar cortes precisos y limpios y, al mismo tiempo, protege la superficie de la pieza de trabajo de posibles daños.

En combinación con el extenso conjunto de accesorios, con el sistema de guía es posible efectuar unos cortes angulares, a inglete y unos trabajos de adaptación con gran exactitud. La posibilidad de fijación mediante mordazas **[8-7]** garantiza una sujeción y un trabajo seguros.

- ▶ Ajustar el juego de la guía de la mesa de serrar en el riel de guía con las dos mordazas de ajuste **[8-8]**.

Antes de usar el riel de guía por primera vez, serrar la protección antiastillas **[8-5]**:

- ▶ colocar la sierra con toda la placa guía en el extremo posterior del riel de guía;
- ▶ situar la sierra en la posición de 0° y ajustar la profundidad de corte máxima;
- ▶ Conectar la sierra.
- ▶ Serrar la protección antiastillas poco a poco por toda la longitud sin levantarla.

El canto de la protección antiastillas se corresponde exactamente con el canto de corte.

11.3 Riel de guía de corte transversal

El riel de guía de corte transversal está diseñado para serrar madera y materiales de tableros.

Permite obtener unos cortes precisos y limpios; en concreto, los cortes angulares se pueden realizar con facilidad y repetir con precisión. La sierra retrocede automáticamente hasta la posición de inicio después del proceso de serrado.

Respetar el manual de instrucciones del riel de guía de corte transversal FSK

11.4 SYSTAINER

Systainer

Muchos de los productos Festool se entregan en un embalaje exclusivo denominado "Systainer" que sirve de protección a la herramienta y sus complementos, además de facilitar su almacenamiento. Los Systainer pueden apilarse y encajan unos con otros. Además se adaptan sin problema a cualquier aparato de aspiración CT de Festool.

Para abrir el Systainer



Gire el T-loc [SYS-b-1] a esta posición.

Para cerrar el Systainer



Gire el T-loc [SYS-b-1] a esta posición.

Para encajar dos Systainer

Ponga el Systainer sobre un otro [SYS-a].

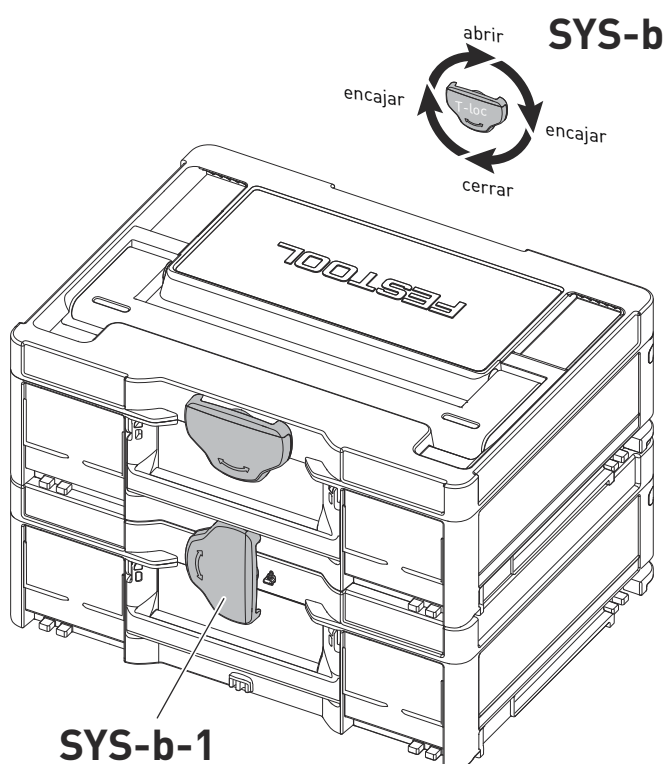
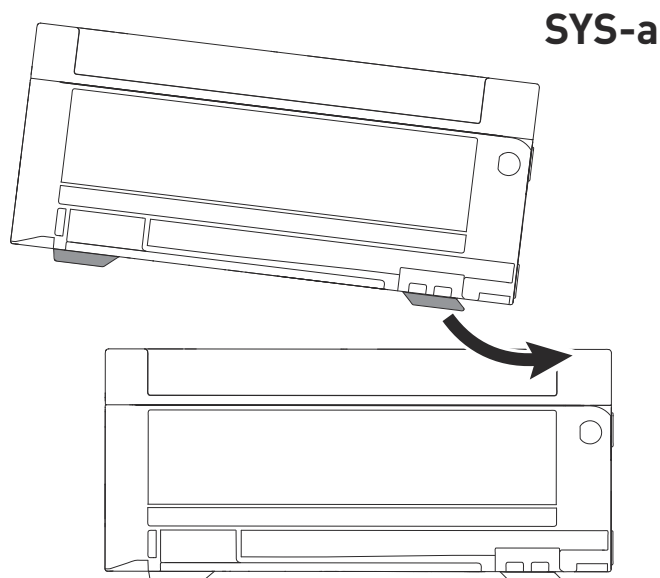


Gire el T-loc [SYS-b-1] a una de estas posiciones (Fig. [SYS-b]).

Los Systainers están encajados y cerrados.

i El Systainer Classic Line se puede unir por la parte inferior con un Systainer T-Loc o con un Systainer³ por medio de sus cuatro enclavamientos

El Systainer T-Loc se puede unir por abajo o por arriba con un Systainer³.



12 Medio ambiente

No deseches la herramienta junto con los residuos domésticos. Recicle las herramientas, accesorios y embalajes de forma respetuosa con el medio ambiente. Respete la normativa vigente del país.

Reciclaje de baterías



ADVERTENCIA

Riesgo de fuego o daños

- ▶ No intente desarmar la batería ni quitar ninguno de los componentes que sobresalen de las terminales de la batería.
- ▶ Antes de tirarla, proteja las terminales que están al descubierto con cinta adhesiva aislante gruesa para prevenir cortocircuitos.

13 Observaciones generales

13.1 Información relativa a la protección de datos

La herramienta eléctrica contiene un chip que almacena automáticamente los datos de servicio y de la máquina. Los datos guardados no pueden estar directamente relacionados con ninguna persona.

Los datos pueden leerse sin contacto con dispositivos especiales, y Festool los utiliza exclusivamente para el diagnóstico de fallos, la gestión de las reparaciones y de la garantía, así como para la mejora de la calidad o el perfeccionamiento de la herramienta eléctrica. Los datos no se utilizan para otros fines sin el consentimiento expreso del cliente.

13.2 Bluetooth®

La marca denominativa Bluetooth® y los logotipos son marcas registradas de Bluetooth SIG, Inc. Por lo tanto, todo uso que TTS Tooltechnic Systems AG & Co. KG y, por consiguiente, también Festool, hagan de dicha marca está sujeto a un contrato de licencia.