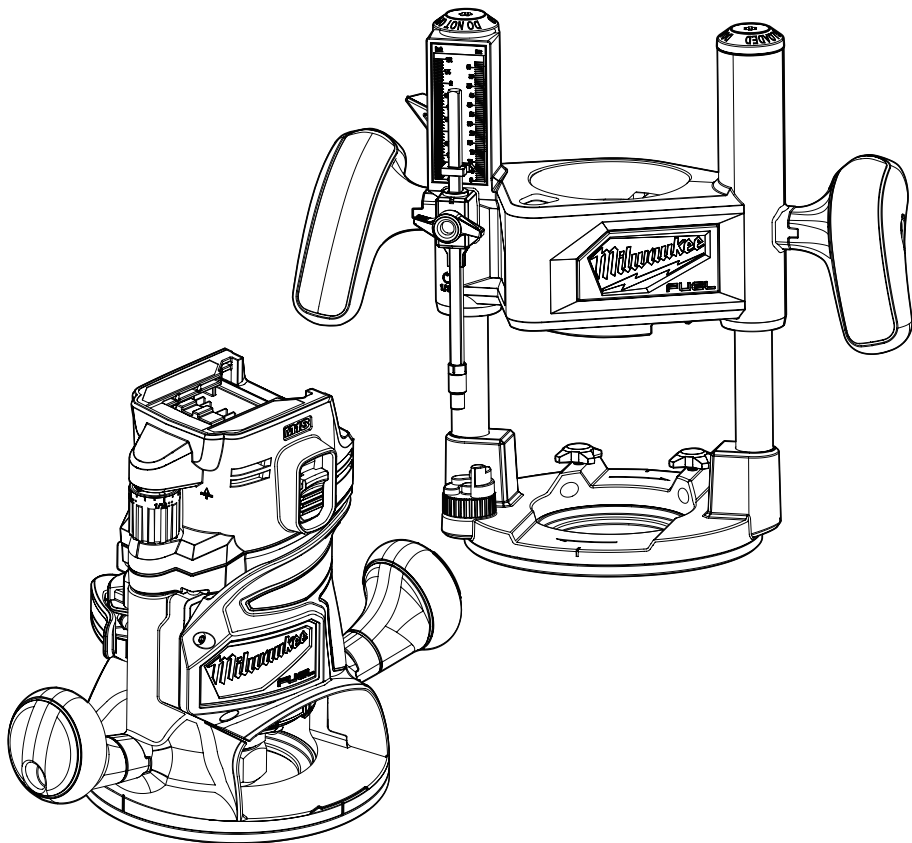




OPERATOR'S MANUAL  
MANUEL de L'UTILISATEUR  
MANUAL del OPERADOR



Cat. No. / No de cat.  
2838-20, 48-10-2838

M18 FUEL™ ROUTER  
TOUPIE M18 FUEL™  
REBAJADORA M18 FUEL™



**WARNING** To reduce the risk of injury, user must read and understand operator's manual.

**AVERTISSEMENT** Afin de réduire le risque de blessures, l'utilisateur doit lire et bien comprendre le manuel.

**ADVERTENCIA** Para reducir el riesgo de lesiones, el usuario debe leer y entender el manual.

## GENERAL POWER TOOL SAFETY WARNINGS

**WARNING** Read all safety warnings, instructions, illustrations and specifications provided with this power tool. Failure to follow all instructions listed below may result in electric shock, fire and/or serious injury. **Save all warnings and instructions for future reference.** The term "power tool" in the warnings refers to your mains-operated (corded) power tool or battery-operated (cordless) power tool.

### WORK AREA SAFETY

- **Keep work area clean and well lit.** Cluttered or dark areas invite accidents.
- **Do not operate power tools in explosive atmospheres, such as in the presence of flammable liquids, gases or dust.** Power tools create sparks which may ignite the dust or fumes.
- **Keep children and bystanders away while operating a power tool.** Distractions can cause you to lose control.

### ELECTRICAL SAFETY

- **Power tool plugs must match the outlet. Never modify the plug in any way. Do not use any adapter plugs with earthed (grounded) power tools.** Unmodified plugs and matching outlets will reduce risk of electric shock.
- **Avoid body contact with earthed or grounded surfaces, such as pipes, radiators, ranges and refrigerators.** There is an increased risk of electric shock if your body is earthed or grounded.
- **Do not expose power tools to rain or wet conditions.** Water entering a power tool will increase the risk of electric shock.
- **Do not abuse the cord. Never use the cord for carrying, pulling or unplugging the power tool. Keep cord away from heat, oil, sharp edges or moving parts.** Damaged or entangled cords increase the risk of electric shock.
- **When operating a power tool outdoors, use an extension cord suitable for outdoor use.** Use of a cord suitable for outdoor use reduces the risk of electric shock.
- **If operating a power tool in a damp location is unavoidable, use a ground fault circuit interrupter (GFCI) protected supply.** Use of an GFCI reduces the risk of electric shock.

### PERSONAL SAFETY

- **Stay alert, watch what you are doing and use common sense when operating a power tool. Do not use a power tool while you are tired or under the influence of drugs, alcohol or medication.** A moment of inattention while operating power tools may result in serious personal injury.
- **Use personal protective equipment. Always wear eye protection.** Protective equipment such as a dust mask, non-skid safety shoes, hard hat or hearing protection used for appropriate conditions will reduce personal injuries.
- **Prevent unintentional starting. Ensure the switch is in the off-position before connecting to power source and/or battery pack, picking up or carrying the tool.** Carrying power tools with your finger on the switch or energizing power tools that have the switch on invites accidents.

- **Remove any adjusting key or wrench before turning the power tool on.** A wrench or a key left attached to a rotating part of the power tool may result in personal injury.
- **Do not overreach. Keep proper footing and balance at all times.** This enables better control of the power tool in unexpected situations.
- **Dress properly. Do not wear loose clothing or jewelry. Keep your hair and clothing away from moving parts.** Loose clothes, jewelry or long hair can be caught in moving parts.
- **If devices are provided for the connection of dust extraction and collection facilities, ensure these are connected and properly used.** Use of dust collection can reduce dust-related hazards.
- **Do not let familiarity gained from frequent use of tools allow you to become complacent and ignore tool safety principles.** A careless action can cause severe injury within a fraction of a second.

### POWER TOOL USE AND CARE

- **Do not force the power tool. Use the correct power tool for your application.** The correct power tool will do the job better and safer at the rate for which it was designed.
  - **Do not use the power tool if the switch does not turn it on and off.** Any power tool that cannot be controlled with the switch is dangerous and must be repaired.
  - **Disconnect the plug from the power source and/ or remove the battery pack, if detachable, from the power tool before making any adjustments, changing accessories, or storing power tools.** Such preventive safety measures reduce the risk of starting the power tool accidentally.
  - **Store idle power tools out of the reach of children and do not allow persons unfamiliar with the power tool or these instructions to operate the power tool.** Power tools are dangerous in the hands of untrained users.
  - **Maintain power tools and accessories. Check for misalignment or binding of moving parts, breakage of parts and any other condition that may affect the power tool's operation. If damaged, have the power tool repaired before use.** Many accidents are caused by poorly maintained power tools.
  - **Keep cutting tools sharp and clean.** Properly maintained cutting tools with sharp cutting edges are less likely to bind and are easier to control.
  - **Use the power tool, accessories and tool bits etc. in accordance with these instructions, taking into account the working conditions and the work to be performed.** Use of the power tool for operations different from those intended could result in a hazardous situation.
  - **Keep handles and grasping surfaces dry, clean and free from oil and grease.** Slippery handles and grasping surfaces do not allow for safe handling and control of the tool in unexpected situations.
- ### BATTERY TOOL USE AND CARE
- **Recharge only with the charger specified by the manufacturer.** A charger that is suitable for one type of battery pack may create a risk of fire when used with another battery pack.
  - **Use power tools only with specifically designated battery packs.** Use of any other battery packs may create a risk of injury and fire.

- When battery pack is not in use, keep it away from other metal objects, like paper clips, coins, keys, nails, screws or other small metal objects, that can make a connection from one terminal to another. Shorting the battery terminals together may cause burns or a fire.
- Under abusive conditions, liquid may be ejected from the battery; avoid contact. If contact accidentally occurs, flush with water. If liquid contacts eyes, additionally seek medical help. Liquid ejected from the battery may cause irritation or burns.
- Do not use a battery pack or tool that is damaged or modified. Damaged or modified batteries may exhibit unpredictable behavior resulting in fire, explosion or risk of injury.
- Do not expose a battery pack or tool to fire or excessive temperature. Exposure to fire or temperature above 265°F (130°C) may cause explosion.
- Follow all charging instructions and do not charge the battery pack or tool outside the temperature range specified in the instructions. Charging improperly or at temperatures outside the specified range may damage the battery and increase the risk of fire.

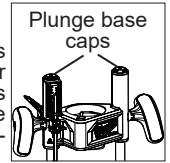
## SERVICE

- Have your power tool serviced by a qualified repair person using only identical replacement parts. This will ensure that the safety of the power tool is maintained.
- Never service damaged battery packs. Service of battery packs should only be performed by the manufacturer or authorized service providers.

## SPECIFIC SAFETY RULES FOR ROUTERS

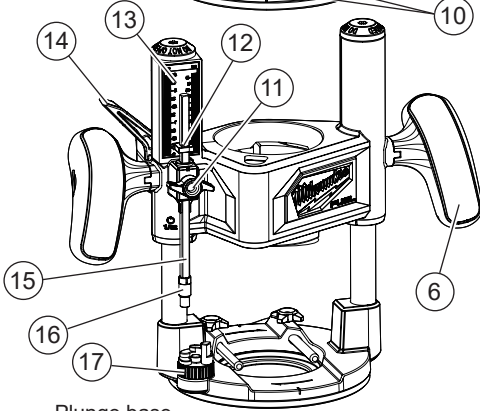
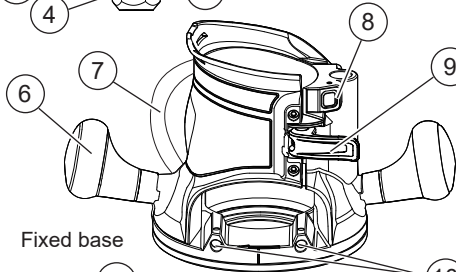
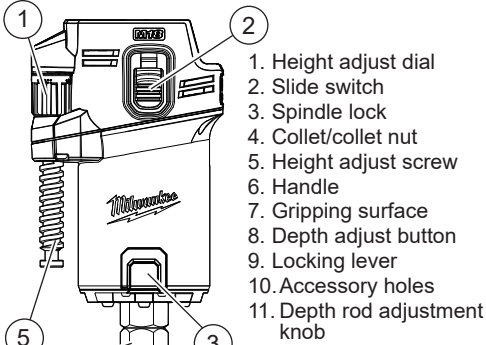
- Use clamps or another practical way to secure and support the workpiece to a stable platform. Holding the work by your hand or against the body leaves it unstable and may lead to loss of control.
- Always hold the tool firmly in your hand(s) during the start-up. The reaction torque of the motor, as it accelerates to full speed, can cause the tool to twist.
- Maintain a firm grip on the power tool and position your body and arm to allow you to resist kickback forces. The operator can control kickback forces, if proper precautions are taken.
- Some woods contain preservatives that can be toxic. Take extra care to prevent inhalation and skin contact when working with these materials. Request, and follow, any safety information available from your material supplier.
- Never hold the workpiece in one hand and the tool in the other hand when using the tool. Never place hands near or below cutting surface. Clamping the material and guiding the tool with both hands is safer.
- Never use dull or damaged bits. Sharp bits must be handled with care. Damaged bits can break during use. Dull bits require more force to push the tool, which could cause the bit to break. Damaged bits can throw carbide pieces and burn the workpiece.
- After changing the bit or making any adjustments, make sure the collet nut and any other adjustment devices are securely tightened. Loose adjustment devices can unexpectedly shift, causing loss of control. Loose rotating components will be violently thrown. Watch for vibration or wobbling that could indicate an improperly installed bit.

- Never start the tool when the bit is in contact with the material. The bit cutting edge may grab the material causing loss of control of the tool.
- Never lay the tool down until the bit has come to a complete stop. The spinning bit can grab the surface and pull the tool out of your control.
- Never touch the bit during or immediately after use. After use the bit, collet, and collet nut may be hot enough to burn bare skin.
- Never clamp the workpiece to a hard surface, such as concrete or stone. Contact with the bit could cause the tool to jump and loss of control.
- Only operate the router when held. Do not clamp or secure the router to a surface and hold the workpiece by hand.
- Never use bits larger than the smallest of the openings in the base, sub-base, or dust collection port.
- Do not loosen or remove the plunge base caps. Internal springs are under pressure. If loosened or removed, the plunge base caps and internal springs will become projectiles, which could cause injury.

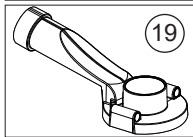
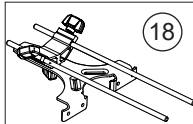


- Never use the router with a router table or router lift. Serious injury or product damage may occur.
- ⚠WARNING** To reduce the risk of injury, when working in dusty situations, wear appropriate respiratory protection or use an OSHA compliant dust extraction solution.
- To reduce the risk of explosion, electric shock and property damage, always check the work area for hidden pipes and wires before routing.
- Avoid open area of router base. Serious personal injury will result from contact with a rotating bit.
- Always use common sense and be cautious when using tools. It is not possible to anticipate every situation that could result in a dangerous outcome. Do not use this tool if you do not understand these operating instructions or you feel the work is beyond your capability; contact Milwaukee Tool or a trained professional for additional information or training.
- Maintain labels and nameplates. These carry important information. If unreadable or missing, contact a MILWAUKEE service facility for a free replacement.
- ⚠WARNING** Some dust created by power sanding, sawing, grinding, drilling, and other construction activities contains chemicals known to cause cancer, birth defects or other reproductive harm. Some examples of these chemicals are:
  - lead from lead-based paint
  - crystalline silica from bricks and cement and other masonry products, and
  - arsenic and chromium from chemically-treated lumber.
 Your risk from these exposures varies, depending on how often you do this type of work. To reduce your exposure to these chemicals: work in a well ventilated area, and work with approved safety equipment, such as those dust masks that are specially designed to filter out microscopic particles.

## FUNCTIONAL DESCRIPTION



12. Depth indicator  
13. Depth scale  
14. Plunge release lever  
15. Depth rod  
16. Micro adjust dial  
17. Depth stop turret  
18. Edge guide  
19. Dust shroud



## SPECIFICATIONS

Cat. No. ....	2838-20
Volts .....	18 DC
Battery Type .....	M18™
Charger Type .....	M18™
No Load RPM .....	12,000 - 25,000
Collet Size .....	1/4" & 1/2"
Recommended Ambient Operating Temperature .....	0°F to 125°F
Plunge Base Cat. No. ....	48-10-2838

## SYMBOLGY



Volts



Direct Current

$n_0$  XXXX min<sup>-1</sup> No Load Revolutions per Minute (RPM)



Read Operator's Manual



UL Listing for Canada and U.S.

## ASSEMBLY

**WARNING** Recharge only with the charger specified for the battery. For specific charging instructions, read the operator's manual supplied with your charger and battery.

### Removing/Inserting the Battery

To remove the battery, push in the release buttons and pull the battery pack away from the tool.

**WARNING** Always remove the battery pack any time the tool is not in use.

To insert the battery, slide the pack into the body of the tool. Make sure it latches securely into place.

**WARNING** Only use accessories specifically recommended for this tool. Others may be hazardous.

Always remove battery from tool before changing or removing accessories.

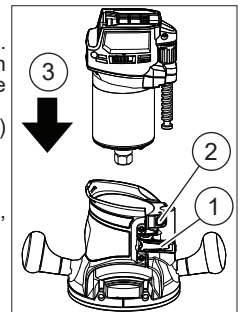
### Installing/Removing Bases

**WARNING** To reduce the risk of injury, DO NOT use the router if the locking lever does not hold the console securely in the base. Check the locking lever screw and tighten if needed.

Pressing the depth adjust button will cause the console to drop down, which may cause personal injury or damage to the tool or workpiece. Make sure your hand is firmly on the console when pressing the button.

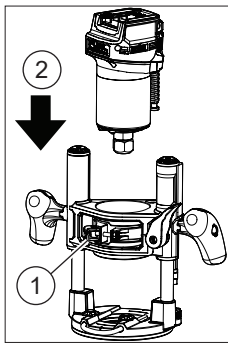
### Fixed Base

1. Open the locking lever (1).
2. Press and hold the depth adjust button (2) on the fixed base.
3. Insert the console (3) into the base.
4. Release the button.
5. Close the locking lever.
6. To remove the base, reverse the procedure.



### Accessory Plunge Base

1. Open the locking lever (1).
2. Insert the console (2) into the base.
3. Close the locking lever.
4. To remove the base, reverse the procedure.



### Collets

The collet must be attached to the collet nut before it is put into the collet shaft. Be sure that the size of the collet matches the size of the bit shank being used. If the wrong size bit shank is used, the collet may break. For attaching or removing the collet to the collet nut, see "Collet Assembly".

### Changing Collet Nuts

The router can be fitted with either a 1/4" or 1/2" collet nut for different applications.

1. Remove battery pack.
2. Remove the console from the base.
3. Place the console upside down on a workbench.
4. Press and hold the spindle lock and use the 1-1/8" wrench to loosen the collet nut counterclockwise.
5. Remove the collet nut.
6. Thread the new collet nut (either 1/4" or 1/2") onto the spindle.
7. Hand-tighten the collet nut.
8. Press and hold the spindle lock and use the 1-1/8" wrench to securely tighten the collet nut clockwise (or use both 1-1/8" wrenches to tighten the collet nut securely).

### Installing/Removing Bits

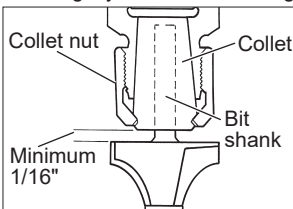
**WARNING** Never use bits larger than the smallest of the openings in the base or dust shroud. The use of larger bits can result in loss of control and possible serious personal injury.

Do not tighten the collet nut without inserting the bit. The collet may break.

Never touch the bit during or immediately after use. After use, the bit, collet, and collet nut may be hot enough to burn bare skin.

1. Remove battery pack.
2. Remove the console from the base.
3. Place the console upside down on a workbench.
4. Press and hold the spindle lock and use the 1-1/8" wrench to loosen the collet nut counterclockwise.
5. Insert the bit shank into the collet as far as it will go.
6. Back the bit shank out slightly to avoid bottoming out.

7. Be sure there is a minimum of 1/16" between the bottom of the collet assembly and the radius to the cutting portion of the bit.



8. Hand-tighten the collet nut.
9. Press and hold the spindle lock and use the 1-1/8" wrench to securely tighten the collet nut clockwise.

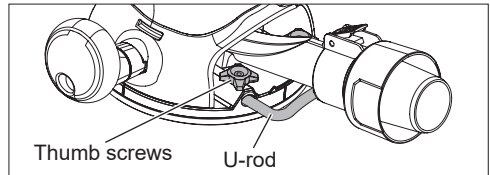
**WARNING** If the collet nut is not tightened securely, the bit may come out during use, causing serious personal injury.

During use, always keep the vacuum hose clear of the path of the bit. If a rotating router bit contacts the hose, the hose will break and flying debris may cause injury.

### Installing a Dust Shroud

**WARNING** To reduce the risk of injury, do not use the dust shroud when plunging cutting if the bit is larger than the port opening (1-3/8"). If a rotating router bit contacts the dust shroud, the adapter will break and flying debris may cause injury.

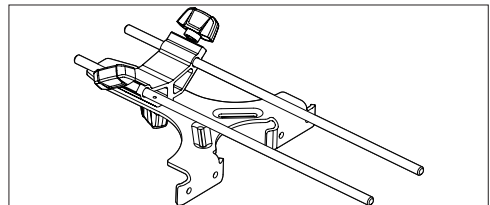
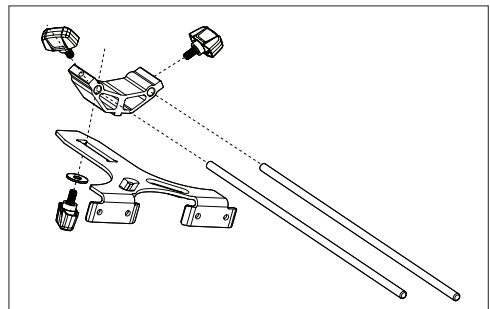
1. Remove the console and thumb screws from the base.
2. Set the dust shroud onto the base.
3. Insert the U-rod into the base holes.
4. Tighten the thumb screws.



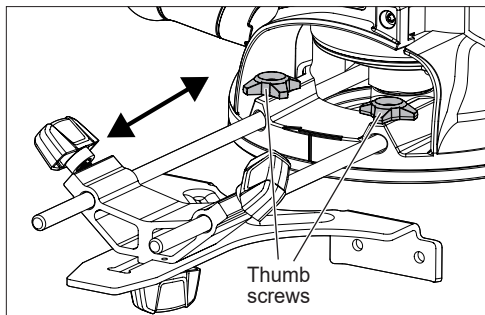
5. Connect a vacuum hose to the port and use with an OSHA compliant dust extraction solution.

### Installing the Edge Guide

1. Assemble the edge guide, as shown.



2. Attach the edge guide to the base by sliding the rods into the accessory holes and tightening the thumb screws.



## OPERATION

**WARNING** To reduce the risk of injury, always wear proper eye protection marked to comply with ANSI Z87.1.

When working in dusty situations, wear appropriate respiratory protection or use an OSHA compliant dust extraction solution.

Remove the battery before changing accessories or making adjustments.

Never make adjustments while the router is running.

DO NOT use the router if the locking lever does not hold the motor securely in the base. Check the locking lever screw and tighten if needed during use.

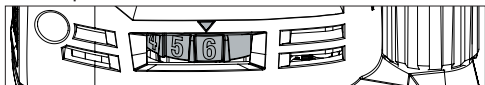
Never use the router with a router table or router lift. Serious injury or product damage may occur.

Always check collet assembly before operation. If collet separates from collet nut during use, Serious injury or product damage may occur.

### Selecting the Speed

**WARNING** To reduce the risk of injury, only use rotary bits rated for the operating speed setting of the tool.

The RPM of tool can be changed by turning the speed dial. Variable speed dial settings range from numbers six (6) through one (1). Higher numbers correspond to higher speeds and lower number correspond to lower speeds.



Use higher speeds for smaller bits and cutters, softwoods, plastics and laminates. Use lower speeds for larger diameter bits and cutters.

Speed Setting	Nominal RPM*
1	12,000
2	14,600
3	17,200
4	19,800
5	22,400
6	25,000

\*RPM may vary based on bit, battery size and battery capacity.

## Adjusting the Depth of Cut

**WARNING** Pressing the depth adjust button will cause the console to drop down, which may cause personal injury or damage to the tool or workpiece. Make sure your hand is firmly on the console when pressing the button.

DO NOT adjust the depth of cut while the router is running.

### Fixed Base

1. Remove the battery pack.
2. Open the locking lever completely.
3. Press the depth adjust button and with your other hand raise or lower the console to the desired depth of cut.
4. Release the depth adjust button to set the depth.
5. For fine adjustments, rotate the height adjust dial (marked with 1/64" increments) to the desired depth of cut.
6. Close the locking lever.

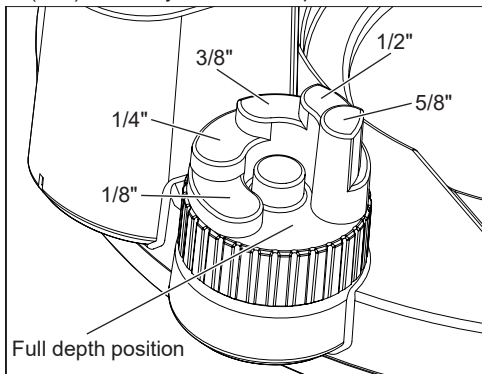
### Accessory Plunge Base

The plunge base depth of cut can be set two ways: for single pass cuts (shallow cuts less than 1/8"), or for multiple pass cuts.

#### Single Pass Cuts

A shallow cut, such as a mortise cut, can be cut in a single pass.

1. Remove the battery pack.
2. Install the bit and insert the console into the base.
3. Rotate the depth stop turret until the highest setting (5/8") is directly below the depth rod.



4. Loosen the depth rod adjustment knob.
5. Unlock and hold the plunge release lever then lower the console until the bit touches the workpiece.
6. Release the plunge release lever.
7. Set the depth of cut:
  - a. Raise the depth rod and slide the piece to be inlaid (such as a hinge) between the top turret and the depth gauge rod. Tighten the depth rod adjustment knob. Remove the reference piece from the turret.
  - b. Slide the depth indicator to zero (0) on the depth scale and then raise the depth gauge rod to the desired depth of cut. Tighten the depth rod adjustment knob. **NOTE:** Do not exceed 1/8" cut in a single pass.
8. Make the cut as described in "Making the Cut - Plunge Cutting".

### Multiple Pass Cuts

For cuts more than 1/8" deep, multiple passes are necessary.

1. Remove the battery pack.
2. Install the bit and insert the console into the base.
3. Rotate the depth turret until the lowest setting (full depth position) is directly below the depth rod.
4. Loosen the depth rod adjustment knob.
5. Unlock and hold the plunge release lever then lower the console until the bit touches the workpiece.
6. Slide the depth indicator to zero (0) on the depth scale.
7. Raise the depth rod to the desired depth of cut.
8. Tighten the depth rod adjustment knob.
9. Use the micro adjust dial for fine adjustments (loosen for a shallower cut, tighten for a deeper cut).
10. Release the plunge release lever and raise the console.
11. Rotate the turret to the highest possible step to prepare for the first cut.
12. Make the cut as described in "Making the Cut - Plunge Cutting".

### Holding the Tool

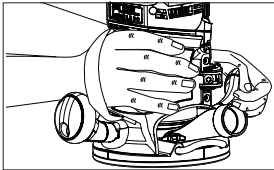
**⚠WARNING** Keep hands and body away from the bit and all moving parts. Sharp bits must be handled with care. Loose clothes, jewelry or long hair can be caught in moving parts.

Always hold the tool firmly in your hand(s) during the start-up. The reaction torque of the motor, as it accelerates to full speed, can cause the tool to twist.

Maintain a firm grip on the power tool and position your body and arm to allow you to resist kickback forces. The operator can control kickback forces, if proper precautions are taken.

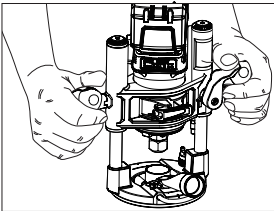
#### Fixed Base

Hold the tool using the body grip and handle or both handles. The body grip features an adjustable strap.



#### Accessory Plunge Base

Hold tool with both hands on the handles at all times for maximum control.



### Slide Switch Operation

To **start** the tool, grasp the handle(s) firmly, slide the switch upward and push forward to lock the tool into the ON position.

**NOTE:** The LEDs are turned on when the tool is in use.

To **stop** the tool, unlock the switch. Make sure the tool comes to a complete stop before laying down the tool. To **lock-on** the switch, slide the switch to ON and press down on the front of the switch. To stop the tool, press and release the switch. Make sure the tool comes to a complete stop before laying down the tool.

### Making the Cut

Before cutting, check that the collet nut and all adjustments are tight. Verify that the locking lever is fully closed and secure.

Set the speed and depth of cut for material being worked. Keep the cutting pressure constant but do not use excessive force on the router so the motor speed slows excessively. It may be necessary on exceptionally hard woods, problem materials, or extreme cuts to make more than one pass to get the desired depth of cut.

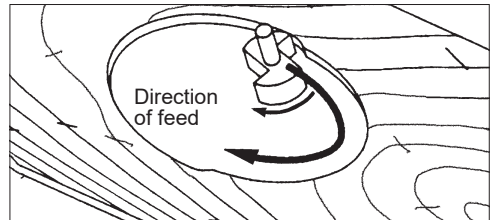
When using a dust collection hose, place the hose out of the path of the router.

Before beginning the cut on the workpiece, make a sample cut on a scrap piece of lumber to check the settings and dimensions. Always be sure the workpiece is secure before routing. When routing edges, the router should be held firmly down and against the workpiece.

Since the cutter rotates clockwise, more efficient cutting will be obtained if the router is moved from left to right as you stand facing the work. The arrows on the base of the tool indicate the direction of bit rotation. When working on the outside of an edge, move router in a counterclockwise direction.



When working on an inside edge, move the router in a clockwise direction.



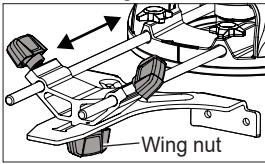
Moving the router in the opposite direction is known as "climb cutting".

**⚠WARNING** To reduce the risk of injury, avoid "climb cutting". Climb cutting increases the potential for loss of control of the tool and damage to the workpiece. If climb cutting can not be avoided, use extreme caution.

### Fixed Base with an Edge Guide

To obtain a straight cut, use the edge guide, or clamp a piece of scrap lumber to use as a guide.

1. To adjust the straight edge guide, loosen the wing nuts and adjust the distance between the bit and the edge guide. Tighten the wing nuts securely.



2. To use the edge guide, move the tool with the edge guide flush with the side of the workpiece.
3. To use a piece of scrap lumber as a guide (when the distance between the side of the workpiece and the cutting position is too wide for the edge guide, or if the side of the workpiece is not straight, securely clamp a straight board to the workpiece and use it as a guide against the router base.

### Plunge Cutting

**WARNING** Always hold the handles firmly with both hands during operation.

**Do not use a plunge base if the console does not rise automatically when the plunge release lever is pressed.**

**Never use the router with a router table or router lift. Serious injury or product damage may occur.**

1. Securely clamp the workpiece.
2. Set the depth of cut.
3. Press the plunge release lever and raise the bit so it does not contact the workpiece.
4. Hold the handles securely and start the tool. Wait for the tool to reach full speed (or the speed set by the speed dial).
5. Press the plunge release lever and slowly lower the bit into the workpiece until the depth rod contacts the turret. Release the plunge release lever.
6. Begin moving the router, keeping the plunge base flat on the workpiece.
7. When finished, press the plunge release lever and raise the bit out of the workpiece.
8. Stop the tool and wait for the bit to stop turning.
9. **For multiple pass cuts**, rotate the turret to the next step and repeat. Make multiple passes, rotating the turret to a lower step each time.

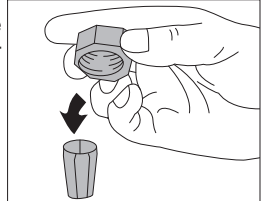
## MAINTENANCE

**WARNING** To reduce the risk of injury, always unplug the charger and remove the battery pack from the charger or tool before performing any maintenance. Never disassemble the battery pack, charger, or tool, except as provided in these instructions. Contact a MILWAUKEE service facility for all other repairs.

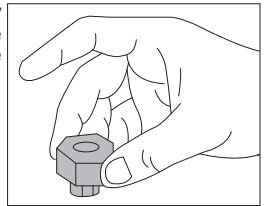
### Collet Assembly

Before making a cut, always check that the collet is securely attached to the collet nut.

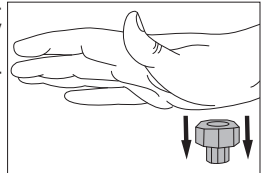
1. To **assemble**, place the narrow end of the collet on an even surface. Take the nut and place it over the collet.



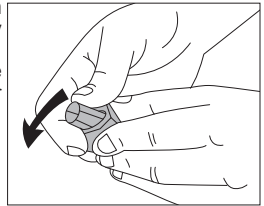
2. Position nut squarely over collet with the smaller opening of the nut facing up.



3. Snap nut and collet together by firmly applying downward pressure into assembly with palm of hand.



4. To remove collet from nut, hold nut firmly with one hand and press the collet to one side with the other hand.





## Maintaining Tool

Keep your tool, battery pack and charger in good repair by adopting a regular maintenance program. Inspect your tool for issues such as undue noise, misalignment or binding of moving parts, breakage of parts, or any other condition that may affect the tool operation. Return the tool, battery pack, and charger to a MILWAUKEE service facility for repair. After six months to one year, depending on use, return the tool, battery pack and charger to a MILWAUKEE service facility for inspection.

If the tool does not start or operate at full power with a fully charged battery pack, clean the contacts on the battery pack. If the tool still does not work properly, return the tool, charger and battery pack, to a MILWAUKEE service facility for repairs.

**⚠WARNING** To reduce the risk of personal injury and damage, never immerse your tool, battery pack or charger in liquid or allow a liquid to flow inside them.

## Cleaning

Clean dust and debris from any vents. Keep tool clean, dry and free of oil or grease. Use only mild soap and a damp cloth to clean, since certain cleaning agents and solvents are harmful to plastics and other insulated parts. Some of these include gasoline, turpentine, lacquer thinner, paint thinner, chlorinated cleaning solvents, ammonia and household detergents containing ammonia. Never use flammable or combustible solvents around tools.

## Repairs

For repairs, return the tool, battery pack and charger to the nearest authorized service center.

## ACCESSORIES

**⚠WARNING** Use only recommended accessories. Others may be hazardous.

For a complete listing of accessories, go online to [www.milwaukeeetool.com](http://www.milwaukeeetool.com) or contact a distributor.

## SERVICE - UNITED STATES

**1-800-SAWDUST (1.800.729.3878)**

Monday-Friday, 7:00 AM - 6:30 PM CST  
or visit [www.milwaukeeetool.com](http://www.milwaukeeetool.com)

Contact Corporate After Sales Service Technical Support with technical, service/repair, or warranty questions.

Email: [metproductsupport@milwaukeeetool.com](mailto:metproductsupport@milwaukeeetool.com)

Become a Heavy Duty Club Member at [www.milwaukeeetool.com](http://www.milwaukeeetool.com) to receive important notifications regarding your tool purchases.

## SERVICE - CANADA

**Milwaukee Tool (Canada) Ltd**

**1.877.948.2360**

Monday-Friday, 7:00 AM - 4:30 PM CST  
or visit [www.milwaukeeetool.ca](http://www.milwaukeeetool.ca)

## LIMITED WARRANTY USA & CANADA

This MILWAUKEE power tool\* is warranted to the original purchaser from an authorized MILWAUKEE distributor only to be free from defects in material and workmanship. Subject to certain exceptions, MILWAUKEE will repair or replace any part on this power tool which, after examination, is determined by MILWAUKEE to be defective in material or workmanship for a period of five (5) years after the date of purchase unless otherwise noted. Return of the power tool to a MILWAUKEE factory Service Center location or MILWAUKEE Authorized Service Station, freight prepaid and insured, is required. A copy of the proof of purchase should be included with the return product. This warranty does not apply to damage that MILWAUKEE determines to be from repairs made or attempted by anyone other than MILWAUKEE authorized personnel, misuse, alterations, abuse, normal wear and tear, lack of maintenance, or accidents.

Normal Wear: Many power tools need periodic parts replacement and service to achieve best performance. This warranty does not cover repair when normal use has exhausted the life of a part including, but not limited to, chucks, brushes, cords, saw shoes, blade clamps, o-rings, seals, bumpers, driver blades, pistons, strikers, lifters, and bumper cover washers.

\*This warranty does not cover battery packs or all power tools. Refer to the separate and distinct warranties available for those products.

The warranty period for the LED in the LED Work Light (49-24-0171) and the LED Upgrade Bulb (49-81-0090) is the lifetime of the product subject to the limitations above. If during normal use the LED or LED Upgrade Bulb fails, the part will be replaced free of charge.

Warranty Registration is not necessary to obtain the applicable warranty on a MILWAUKEE power tool product. The manufacturing date of the product will be used to determine the warranty period if no proof of purchase is provided at the time warranty service is requested.

ACCEPTANCE OF THE EXCLUSIVE REPAIR AND REPLACEMENT REMEDIES DESCRIBED HEREIN IS A CONDITION OF THE CONTRACT FOR THE PURCHASE OF EVERY MILWAUKEE PRODUCT. IF YOU DO NOT AGREE TO THIS CONDITION, YOU SHOULD NOT PURCHASE THE PRODUCT. IN NO EVENT SHALL MILWAUKEE BE LIABLE FOR ANY INCIDENTAL, SPECIAL, CONSEQUENTIAL, OR PUNITIVE DAMAGES, OR FOR ANY COSTS, ATTORNEY FEES, EXPENSES, LOSSES OR DELAYS ALLEGED TO BE AS A CONSEQUENCE OF ANY DAMAGE TO, FAILURE OF, OR DEFECT IN ANY PRODUCT INCLUDING, BUT NOT LIMITED TO, ANY CLAIMS FOR LOSS OF PROFITS. SOME STATES DO NOT ALLOW THE EXCLUSION OR LIMITATION OF INCIDENTAL OR CONSEQUENTIAL DAMAGES, SO THE ABOVE LIMITATION OR EXCLUSION MAY NOT APPLY TO YOU. THIS WARRANTY IS EXCLUSIVE AND IN LIEU OF ALL OTHER EXPRESS WARRANTIES, WRITTEN OR ORAL, TO THE EXTENT PERMITTED BY LAW, MILWAUKEE DISCLAIMS ANY IMPLIED WARRANTIES, INCLUDING WITHOUT LIMITATION ANY IMPLIED WARRANTY OF MERCHANTABILITY OR FITNESS FOR A PARTICULAR USE OR PURPOSE; TO THE EXTENT SUCH DISCLAIMER IS NOT PERMITTED BY LAW, SUCH IMPLIED WARRANTIES ARE LIMITED TO THE DURATION OF THE APPLICABLE EXPRESS WARRANTY AS DESCRIBED ABOVE. SOME STATES DO NOT ALLOW LIMITATIONS ON HOW LONG AN IMPLIED WARRANTY LASTS, SO THE ABOVE LIMITATION MAY NOT APPLY TO YOU, THIS WARRANTY GIVES YOU SPECIFIC LEGAL RIGHTS, AND YOU MAY ALSO HAVE OTHER RIGHTS WHICH VARY FROM STATE TO STATE.

This warranty applies to product sold in the U.S.A. and Canada only. Please consult the "Service Center Search" in the Parts & Service section of MILWAUKEE's website [www.milwaukeeetool.com](http://www.milwaukeeetool.com) or call 1.800.SAWDUST (1.800.729.3878) to locate your nearest service facility for warranty and non-warranty service on a MILWAUKEE power tool.

## RÈGLES DE SÉCURITÉ GÉNÉRALES RELATIVES AUX OUTILS ÉLECTRIQUES

**⚠ AVERTISSEMENT** Lire toutes les consignes de sécurité, consignes, illustrations et spécifications fournies avec cet outil électrique. Ne pas suivre l'ensemble des règles et instructions peut entraîner une électrocution, un incendie ou des blessures graves. Conserver les règles et les instructions à des fins de référence ultérieure. Le terme "outil électrique" figurant dans les avertissements ci-dessous renvoie à l'outil électrique à alimentation par le réseau (à cordon) ou par batterie (sans fil).

### SÉCURITÉ DU LIEU DE TRAVAIL

- Veillez à ce que l'aire de travail soit propre et bien éclairée. Le désordre et le manque de lumière favorisent les accidents.
- Ne pas utiliser d'outils électriques dans des atmosphères explosives, par exemple en présence de liquides, gaz ou poussières inflammables. Les outils électriques produisent des étincelles risquant d'enflammer les poussières ou vapeurs.
- S'assurer que les enfants et les curieux se trouvent à une bonne distance au moment d'utiliser un outil électrique. Les distractions peuvent causer une perte de contrôle.

### SÉCURITÉ ÉLECTRIQUE

- Les fiches des outils électriques doivent correspondre à la prise secteur utilisée. Ne jamais modifier la fiche, de quelque façon que ce soit. Ne jamais utiliser d'adaptateurs de fiche avec des outils mis à la terre. Les fiches et prises non modifiées réduisent le risque de choc électrique.
- Éviter tout contact avec des surfaces mises à la terre comme des tuyaux, des radiateurs, des cuisinières et des réfrigérateurs. Le risque de choc électrique est accru lorsque le corps est mis à la terre.
- Ne pas exposer les outils électriques à l'eau ou l'humidité. La pénétration d'eau dans ces outils accroît le risque de choc électrique.
- Ne pas maltraiter le cordon d'alimentation. Ne jamais utiliser le cordon d'alimentation pour transporter l'outil électrique et ne jamais débrancher ce dernier en tirant sur le cordon. Garder le cordon à l'écart de la chaleur, de l'huile, des objets tranchants et des pièces en mouvement. Un cordon endommagé ou emmêlé accroît le risque de choc électrique.
- Pour les travaux à l'extérieur, utiliser un cordon spécialement conçu à cet effet. Utiliser un cordon conçu pour l'usage extérieur réduit les risques de choc électrique.
- Si l'utilisation d'un outil électrique est inévitable dans un endroit humide, utiliser une source d'alimentation munie d'un disjoncteur de fuite de terre. L'utilisation d'un disjoncteur de fuite de terre réduit le risque de choc électrique.

### SÉCURITÉ INDIVIDUELLE

- Rester attentif, prêter attention au travail et faire preuve de bon sens lors de l'utilisation de tout outil électrique. Ne pas utiliser cet appareil en cas de fatigue ou sous l'influence de l'alcool, de drogues ou de médicaments. Un moment d'inattention pendant l'utilisation d'un outil électrique peut entraîner des blessures graves.

- Porter l'équipement de protection individuel requis. Toujours porter une protection oculaire. Selon les conditions, porter aussi un masque anti-poussières, des bottes de sécurité antidérapantes, un casque protecteur ou une protection auditive afin de réduire les blessures.
- Empêcher les démarrages accidentels. S'assurer que la gâchette est en position d'arrêt avant de brancher l'outil à une source de courant, d'insérer la batterie, de le ramasser ou de le transporter. Le fait de transporter un outil électrique en gardant le doigt sur la gâchette ou de mettre sous tension un outil électrique lorsque la gâchette est en position de marche favorise les accidents.
- Retirer les clés de réglage avant de mettre l'outil en marche. Une clé laissée sur une pièce rotative de l'outil peut causer des blessures.
- Ne pas travailler hors de portée. Toujours se tenir bien campé et en équilibre. Une bonne stabilité procure un meilleur contrôle de l'outil électrique en cas d'imprévus.
- Porter une tenue appropriée. Ne porter ni vêtements amples, ni bijoux. Garder les cheveux et les vêtements à l'écart des pièces en mouvement. Les vêtements flottants, les bijoux ou les cheveux longs risquent d'être happés par les pièces en mouvement.
- Si les outils sont équipés de dispositifs de dé poussiérage, s'assurer qu'ils sont connectés et correctement utilisés. L'utilisation d'un collecteur de poussière permet de réduire les dangers liés à la poussière.
- Ne pas laisser la familiarité avec l'outil acquise par une utilisation fréquente vous rendre suffisant et vous amener à ignorer les règles de sécurité. Une utilisation négligée peut causer une blessure grave en une fraction de seconde.

### UTILISATION ET ENTRETIEN DE L'OUTIL ÉLECTRIQUE

- Ne pas forcer l'outil électrique. Utiliser l'outil électrique approprié pour l'application. Un outil électrique approprié exécutera le travail mieux et de façon moins dangereuse s'il est utilisé dans les limites prévues.
- Ne pas utiliser l'outil électrique si le commutateur ne permet pas de le mettre en marche ou de l'arrêter. Tout outil électrique qui ne peut pas être contrôlé par son commutateur est dangereux et doit être réparé.
- Débrancher l'outil et/ou retirer le bloc-piles, si possible, avant d'effectuer des réglages, de changer d'accessoire ou de remettre l'outil. Ces mesures de sécurité préventives réduisent les risques de démarrage accidentel de l'outil.
- Entreposer l'outil électrique hors de la portée des enfants et interdire à quiconque de l'utiliser si la personne ne connaît pas bien le produit ou les instructions. Les outils électriques sont dangereux dans les mains d'utilisateurs novices.
- Entretenir les outils électriques et les accessoires. Vérifier qu'aucune pièce mobile n'est mal alignée ou bloquée, qu'aucune pièce n'est brisée et s'assurer qu'aucun autre problème risqué d'affecter le bon fonctionnement de l'outil. En cas de dommages, faire réparer l'outil avant de l'utiliser. Plusieurs accidents sont causés par des produits mal entretenus.

## RÈGLES DE SÉCURITÉ PARTICULIÈRES CONCERNANT LES TOUPIES

- **Garder les outils bien affûtés et propres.** Des outils correctement entretenus et dont les tranchants sont bien affûtés risquent moins de se bloquer et sont plus faciles à contrôler.
- **Utiliser l'outil électrique, les accessoires, les embouts etc. conformément à ces instructions en tenant compte des conditions de travail et de la tâche à effectuer.** L'usage d'un outil électrique pour des applications pour lesquelles il n'est pas conçu peut être dangereux.
- **Garder les poignées et les surfaces de préhension sèches, propres et exemptes d'huile ou de graisse.** Des poignées et des surfaces de préhension glissantes ne permettent pas de manipuler et de contrôler l'outil en toute sécurité en cas de situation imprévue.

### UTILISATION ET ENTRETIEN DE LA BATTERIE

- **Pour recharger le bloc-piles, utiliser seulement le chargeur spécifié par le fabricant.** Un chargeur pouvant convenir à un type de bloc-piles peut entraîner un risque d'incendie lorsqu'il est utilisé avec un autre type de bloc-piles.
- **N'utiliser l'outil électrique qu'avec une batterie recommandée.** L'utilisation de tout autre bloc-piles peut créer un risque de blessures et d'incendie.
- **Lorsque le bloc-piles n'est pas utilisé, le tenir éloigné des objets en métal tels que les trombones, les pièces de monnaie, les clés, les clous, les vis ou d'autres petits objets métalliques qui pourraient connecter les bornes.** Le court-circuitage des bornes d'une pile peut entraîner des brûlures ou un incendie.
- **Éviter tout contact avec le liquide pouvant être éjecté de la pile en cas de manutention abusive. En cas de contact accidentel, rincer immédiatement les parties atteintes avec de l'eau. Si le liquide entre en contact avec les yeux, consulter un médecin.** Le liquide éjecté des piles peut causer des irritations ou des brûlures.
- **N'utiliser aucun bloc-piles ni aucun outil ayant été endommagé ou modifié.** Des piles endommagées ou modifiées peuvent adopter un comportement imprévisible pouvant causer un incendie, une explosion ou le risque de blessures.
- **Ne pas exposer le bloc-piles ou l'outil aux flammes ou à une température excessive.** Une exposition aux flammes ou à une température supérieure à 130°C (265°F) peut causer une explosion.
- **Suivre toutes les instructions de charge et ne pas charger le bloc-piles ou l'outil en dehors de la plage de température spécifiée.** Une charge incorrecte ou à des températures en dehors de la plage spécifiée peut endommager la pile et augmenter le risque d'incendie.

### ENTRETIEN

- **Les réparations de l'outil électrique doivent être confiées à un technicien qualifié, utilisant exclusivement des pièces identiques à celles d'origine.** Le maintien de la sûreté de l'outil électrique sera ainsi assuré.
- **Ne jamais effectuer la réparation d'un bloc-piles endommagé.** La réparation du bloc-piles doit être réalisée par le fabricant ou les fournisseurs de service agréés uniquement.

- **Dans la mesure du possible, utiliser des serre-joints ou un autre moyen pratique pour maintenir la pièce sur une surface stable.** Le fait de tenir la pièce à travailler avec ses mains ou contre son corps la rend instable et peut occasionner une perte de contrôle.
- **Toujours tenir fermement l'outil à la main durant le démarrage.** Lors de l'accélération du moteur, le couple de réaction pourra causer que l'outil se torde.
- **Tenir fermement l'outil électrique et mettre le corps et les mains d'une façon telle que vous puissiez résister au rebond.** L'utilisateur peut contrôler les rebonds s'il respecte les directives prescrites.
- **Certains types de bois contiennent des conservateurs et pourront donc être toxiques.** Redoubler la prudence afin d'éviter leur inhalation et leur contact avec votre peau lorsque des travaux sont faits avec ces matériaux. Demander au fabricant du matériau toutes les informations de sécurité disponibles et veuillez les suivre.
- **Lors de l'utilisation de l'outil, ne pas tenir la pièce d'une main et l'outil de l'autre. Ne jamais mettre les mains auprès ou en dessous de la surface de coupe.** Serrer le matériau et guider l'outil à deux mains est une manière plus sûre.
- **Ne jamais utiliser des mèches endommagées ou émoussées. Les mèches tranchantes doivent être manipulées avec précaution.** Les mèches endommagées pourront se casser durant l'utilisation. Les mèches émoussées exigent plus de force pour pousser l'outil, ce qui pourra causer que la mèche se casse. Les mèches endommagées pourront projeter des pièces en carbure et brûler la pièce.
- **Après avoir changé la mèche ou avoir fait des ajustages, s'assurer que l'écrou de collet et tous les autres appareils d'ajustage sont bien serrés.** Les appareils d'ajustage desserrés peuvent bouger soudainement et causer ainsi une perte de contrôle. Des composants en rotation lâches seront projetés violemment. Faire attention à la vibration ou au basculement, car ils pourront indiquer l'installation incorrecte de la mèche.
- **Ne jamais démarrer l'outil lorsque la mèche est en contact avec le matériau.** Le bord tranchant de la mèche pourra attraper le matériau, ce qui causera une perte de contrôle de l'outil.
- **Déposer l'outil jusqu'à ce que la mèche parvienne à s'arrêter complètement.** La mèche en rotation pourra attraper la surface et vous faire perdre le contrôle de l'outil.
- **Ne jamais toucher la mèche durant ou immédiatement après l'utilisation.** La mèche, le collet et l'écrou de collet pourront être assez chaud après l'utilisation qu'ils brûleront la peau nue.
- **Ne jamais fixer la pièce sur une surface dure, telle que le béton ou la pierre.** Le contact avec la mèche pourra causer que l'outil saute et qu'il y a une perte de contrôle.
- **Utiliser la toupie uniquement si vous la tenez à la main.** Ne pas fixer ou attacher la toupie à une surface et ne pas tenir la pièce à la main.

• **Ne jamais utiliser les mèches qui sont plus grandes que les trous les plus petits dans la base, la semelle ou le raccord d'aspiration.**

• **Ne pas desserrer ou retirer les bouchons de la base plongeante.** Les ressorts internes sont sous pression. Si desserrés ou enlevés, les bouchons de la base plongeante et les ressorts internes seront projetés, ce qui causera des blessures.



• **Ne jamais utiliser la toupie avec une table à toupie ou un appareil de levage pour toupie.** Des blessures graves et des dommages au produit pourront survenir.

• **AVERTISSEMENT** Afin de minimiser le risque de blessures, lorsque de travaux sont faits dans de situations poussiéreuses, porter une protection respiratoire ou bien, utiliser une solution d'extraction de poussière conforme aux normes OSHA.

• **Pour minimiser les risques d'explosion, de décharges électriques ou de dommages matériels, toujours examiner le lieu de travail pour vérifier s'il y a de tuyaux ou câblage caché avant de débiter le travail.**

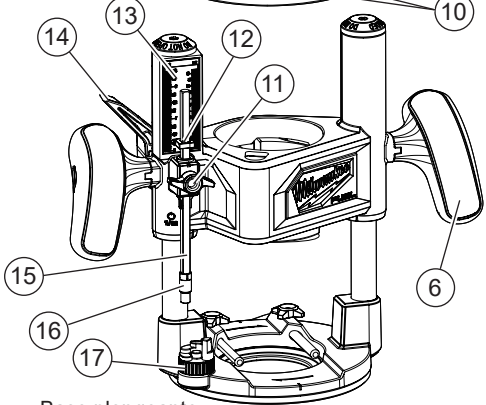
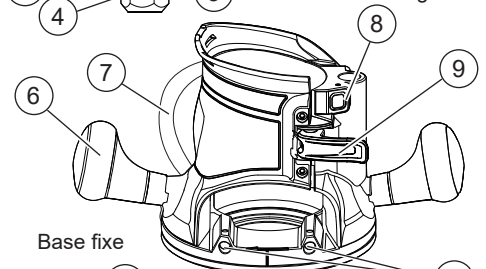
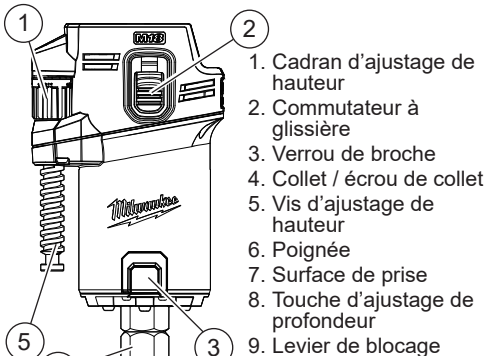
• **Éviter l'ouverture de la base de la toupie.** Tout contact avec le fer en rotation infligerait des blessures graves.

• **Maintenir en l'état les étiquettes et les plaques d'identification.** Des informations importantes y figurent. Si elles sont illisibles ou manquantes, contacter un centre de services et d'entretien MILWAUKEE pour un remplacement gratuit.

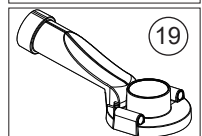
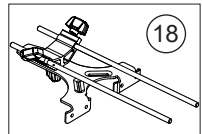
• **AVERTISSEMENT** Certaines poussières générées par les activités de ponçage, de coupe, de rectification, de perçage et d'autres activités de construction contiennent des substances considérées être la cause de malformations congénitales et de troubles de l'appareil reproducteur. Parmi ces substances figurent:

- le plomb contenu dans les peintures à base de plomb;
- la silice cristalline des briques, du ciment et d'autres matériaux de maçonnerie, ainsi que
- l'arsenic et le chrome des sciages traités chimiquement.

Les risques encourus par l'opérateur envers ces expositions varient en fonction de la fréquence de ce type de travail. Pour réduire l'exposition à ces substances chimiques, l'opérateur doit: travailler dans une zone bien ventilée et porter l'équipement de sécurité approprié, tel qu'un masque anti-poussière spécialement conçu pour filtrer les particules microscopiques.



- Base plongeante  
(No de Cat 48-10-2838)
- 10. Orifices pour accessoires
  - 11. Bouton d'ajustage de tige de profondeur
  - 12. Indicateur de profondeur
  - 13. Échelle de profondeur
  - 14. Levier de libération de plongée
  - 15. Tige de profondeur
  - 16. Cadran de microréglages
  - 17. Tourelle de butée de profondeur
  - 18. Guide de chant
  - 19. Défecteur de poussière



## SPÉCIFICATIONS

No de Cat.....	2838-20
Volts.....	18 CD
Type de batterie.....	M18™
Type de chargeur.....	M18™
Tr/Min sans charge.....	12 000 à 25 000
Taille de collet.....	1/4" à 1/2"
Température ambiante de fonctionnement recommandée.....	-18°C à 50°C (0°F à 125°F)
Base plongeante No de Cat.....	48-10-2838

## PICTOGRAPHIE



Volts



Courant direct

n<sub>o</sub> XXXX min<sup>-1</sup> Tours-minute à vide (RPM)



Lire le manuel d'utilisation



UL Listing Mark pour Canada et États-unis

## MONTAGE DE L'OUTIL

**⚠ AVERTISSEMENT** Ne recharger la batterie qu'avec le chargeur spécifié. Pour les instructions de charge spécifiques, lire le manuel d'utilisation fourni avec le chargeur et les batteries.

### Insertion/Retrait de la batterie

Pour retirer la batterie, enfoncer les boutons de déverrouillage et la tirer hors de l'outil.

**⚠ AVERTISSEMENT** Toujours retirer la batterie les fois que l'outil est inutilisé.

Pour insérer la batterie, la glisser dans le corps de l'outil. S'assurer qu'elle est fixée solidement.

**⚠ AVERTISSEMENT** L'emploi d'accessoires autres que ceux qui sont expressément recommandés pour cet outil peut comporter des risques.

Toujours retirer le bloc-piles de l'outil avant de changer ou d'enlever les accessoires.

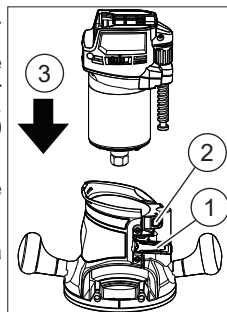
## Installation/enlèvement des bases

**⚠ AVERTISSEMENT** Afin de minimiser le risque de blessures, ne pas utiliser la toupie si le levier de blocage ne soutient pas la console fermement dans la base. Examiner la vis du levier de blocage et la serrer au besoin.

Appuyer sur la touche d'ajustage de profondeur fera tomber la console, ce qui causera des blessures corporelles ou des dommages sur l'outil ou la pièce à travailler. S'assurer que votre main est mise fermement sur la console lorsque la touche est appuyée.

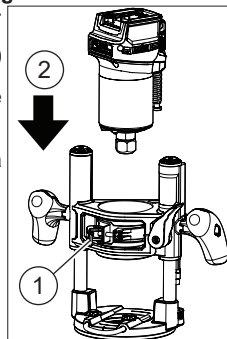
### Base fixe

1. Ouvrir le levier de blocage (1).
2. Enfoncer la touche d'ajustage de profondeur dans la base fixe (2).
3. Insérer la console (3) dans la base.
4. Relâcher la touche.
5. Fermer le levier de blocage.
6. Pour retirer la base, suivre le processus à l'inverse.



### Accessoire de base plongeante

1. Ouvrir le levier de blocage (1).
2. Insérer la console (2) dans la base.
3. Fermer le levier de blocage.
4. Pour retirer la base, suivre le processus à l'inverse.



### Collets

Le collet doit être attaché à l'écrou de collet avant de le mettre dans l'essieu du collet. S'assurer que la taille du collet correspond à celle de la tige de la mèche à utiliser. Si la taille de la tige de la mèche à utiliser n'est pas correcte, le collet pourra se casser. Pour attacher ou retirer le collet de l'écrou du collet, veuillez vous reporter à la section " Assemblage du collet ".

## Changement des écrous de collet

Il est possible d'installer un écrou de collet, soit de 1/4", soit de 1/2", dans la toupie pour des applications différentes.

1. Retirer le bloc-piles.
2. Retirer la console de la base.
3. Mettre la console renversée sur un établi.
4. Enfoncer le verrou de la broche et utiliser la clé de 1-1/8" pour desserrer l'écrou du collet à gauche.
5. Retirer l'écrou du collet.
6. Enfiler le nouvel écrou du collet soit de 1/4", soit de 1/2" dans l'essieu.
7. Serrer l'écrou de collet à la main.
8. Enfoncer le verrou de la broche et utiliser la clé de 1-1/8" pour bien serrer l'écrou du collet à droite. (ou utiliser les deux clés de 1-1/8" pour bien serrer l'écrou du collet).

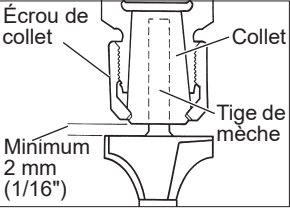
## Installation/enlèvement des mèches

**AVERTISSEMENT** Ne jamais utiliser des mèches qui sont plus larges que les trous les plus petits dans la base ou le déflecteur de poussière. L'utilisation des mèches plus larges pourra causer une perte de contrôle et entraîner des blessures corporelles graves.

Ne pas serrer l'écrou de collet sans avoir inséré la mèche. Le collet pourra se casser.

Ne jamais toucher la mèche durant ou immédiatement après l'utilisation. La mèche, le collet et l'écrou de collet pourront être assez chaud après l'utilisation qu'ils brûleront la peau nue.

1. Retirer le bloc-piles.
2. Retirer la console de la base.
3. Mettre la console renversée sur un établi.
4. Enfoncer le verrou de la broche et utiliser la clé de 1-1/8" pour desserrer l'écrou du collet à gauche.
5. Insérer la tige de la mèche dans le collet aussi loin qu'elle puisse aller.
6. Relâcher un peu la tige de la mèche afin d'éviter qu'elle touche le fond.

7. S'assurer qu'il y a un jeu de 2 mm (1/16") entre le fond de l'assemblage du collet et le rayon par rapport à la partie coupante de la mèche.  

8. Serrer l'écrou de collet à la main.
9. Enfoncer le verrou de la broche et utiliser la clé de 1-1/8" pour bien serrer l'écrou du collet à droite (ou utiliser les deux clés de 1-1/8" pour bien serrer l'écrou du collet).

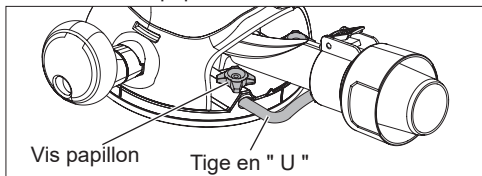
**AVERTISSEMENT** Si l'écrou du collet n'est pas fermement serré, la mèche risque d'être éjectée en cours d'utilisation et de causer des blessures corporelles graves.

Durant l'utilisation, toujours garder le tuyau d'aspiration à l'écart du parcours de la mèche. Si la mèche rotative de la toupie entre en contact avec le tuyau, le tuyau se cassera et les débris volants pourront causer des blessures.

## Installation d'un déflecteur de poussière

**AVERTISSEMENT** Afin de minimiser le risque des blessures, ne pas utiliser le déflecteur de poussière lors de la coupe plongeante si la mèche est plus large que l'ouverture de l'orifice de 35 mm (1-3/8"). Si la mèche rotative de la toupie entre en contact avec le déflecteur de poussière, l'adaptateur se cassera et les débris volants pourront causer des blessures.

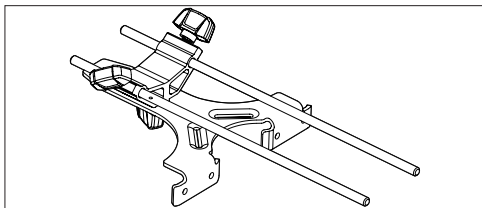
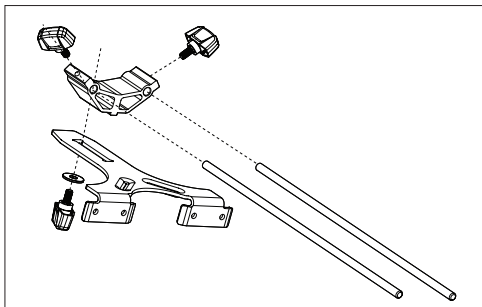
1. Retirer la console et les vis papillon de la base.
2. Mettre le déflecteur de poussière sur la base.
3. Insérer la tige en "U" dans les orifices de la base.
4. Serrer les vis papillon.



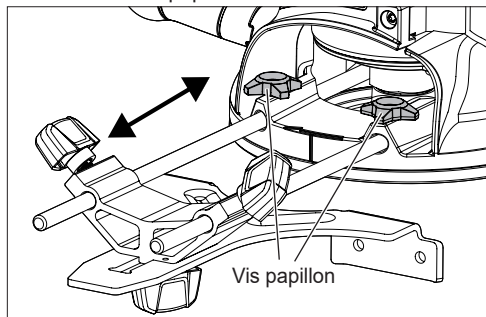
5. Connecter un tuyau d'aspiration au port et l'utiliser avec une solution de dépolluissage conforme à l'OSHA.

## Installation du guide de chant

1. Armer le guide de chant comme illustré.



2. Attacher le guide de chant à la base en glissant les tiges dans les orifices pour accessoires et en serrant les vis papillon.



## MANIEMENT

**⚠ AVERTISSEMENT** Afin de minimiser le risque de blessures, toujours porter la protection oculaire appropriée certifiée conforme à la norme ansi Z87.1.

Lorsque des travaux sont faits dans des situations poussiéreuses, porter une protection respiratoire appropriée, ou bien utiliser une solution de dépolluissage se conformant aux normes de l'osha.

Retirer la batterie avant de changer d'accessoires ou d'effectuer un réglage.

Ne jamais faire des ajustages lorsque la toupie tourne.

Ne pas utiliser la toupie si le levier de blocage ne soutient pas bien le moteur dans la base. Examiner la vis du levier de blocage et la serrer à la main durant l'utilisation.

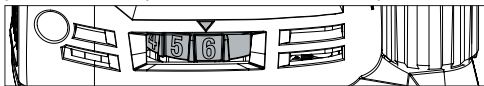
Ne jamais utiliser la toupie avec une table à toupie ou un appareil de levage pour toupie. Des blessures graves et des dommages au produit pourront survenir.

Toujours examiner l'assemblage du collet avant l'utilisation. Si le collet se sépare de l'écrou du collet durant l'utilisation, des blessures graves ou des dommages au produit pourront survenir.

## Sélection de la vitesse

**⚠ AVERTISSEMENT** Afin de minimiser le risque de blessures, utiliser uniquement les mèches rotatives dont la classification nominale convient au paramètre de vitesse opérationnelle de l'outil.

Il est possible de changer les TR/MIN de l'outil à l'aide du cadran de vitesse. Les paramètres du cadran de contrôle de vitesse oscillent entre les chiffres six (6) et un (1). Les chiffres les plus élevés correspondent aux vitesses les plus hautes tandis que les chiffres les plus bas correspondent aux vitesses les plus faibles.



Utiliser les vitesses les plus élevées pour des mèches et des couteaux plus petits, des bois tendres, les plastiques et les laminés. Utiliser les vitesses les plus faibles pour les mèches et les couteaux dont le diamètre est plus grand.

Paramètres de vitesse	Tr/Min nominaux*
1	12 000
2	14 600
3	17 200
4	19 800
5	22 400
6	25 000

\*Les Tr/Min changeront de vitesse de la mèche ainsi que la taille et la puissance de la batterie.

## Réglage de la profondeur de coupe

**⚠ AVERTISSEMENT** Appuyer sur la touche d'ajustage de profondeur fera tomber la console, ce qui causera des blessures corporelles ou des dommages sur l'outil ou la pièce à travailler. S'assurer que votre main est mise fermement sur la console lorsque la touche est appuyée.

### Base fixe

1. Retirer le bloc-piles.
2. Ouvrir totalement le levier de blocage.
3. Appuyer sur la touche d'ajustage de profondeur et soulever ou abaisser la console de l'autre main vers la profondeur de coupe désirée.
4. Relâcher la touche d'ajustage de profondeur pour définir la profondeur.
5. Pour faire des ajustages fins, faire tourner le cadran d'ajustage de hauteur (marqué avec des tranches de 1/64") vers la profondeur de coupe désirée.
6. Fermer le levier de blocage.

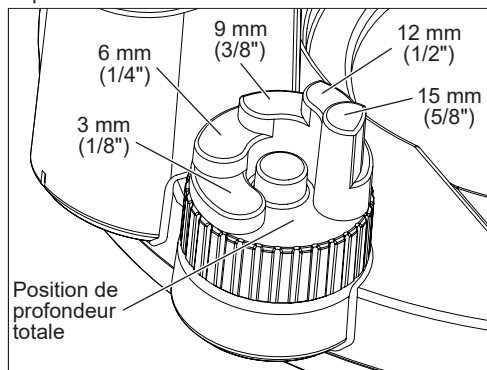
### Accessoire de base plongeante

Il est possible de définir la profondeur de coupe de la base plongeante de deux manières : pour les coupes à seule passe (des coupes superficielles de moins de 3 mm (1/8")), ou bien pour les coupes à plusieurs passes.

#### Coupes à seule passe

Il s'agit d'une coupe superficielle, telle qu'une coupe rigide, qui peut être effectuée à une passe seulement.

1. Retirer le bloc-piles.
2. Installer la mèche et insérer la console dans la base.
3. Faire tourner la tourelle de butée de profondeur jusqu'à ce que le paramètre maximal (15 mm (5/8")) soit directement en dessous de la tige de profondeur.



4. Desserrer le bouton d'ajustage de tige de profondeur.
5. Déverrouiller et tenir le levier de libération de plongée et puis abaisser la console jusqu'à ce que la mèche touche la pièce.
6. Relâcher le levier de libération de plongée
7. Réglage de la profondeur de coupe :

- a. Soulever la tige de profondeur et glisser la pièce à incruster (telle qu'une charnière) entre la tourelle supérieure et la tige de jauge de profondeur. Serrer le bouton d'ajustage de tige de profondeur. Retirer la pièce de référence de la tourelle.
- b. Glisser l'indicateur de profondeur vers le zéro (i) dans l'échelle de profondeur et puis soulever la tige de jauge de profondeur vers la profondeur de coupe désirée. Serrer le bouton d'ajustage de tige de profondeur. **REMARQUE** : Ne pas effectuer une coupe de plus de 3 mm (1/8")) d'une seule passe.

8. Faire la coupe telle que décrite dans la section "Exécution des coupes - Coupe plongeante".

#### Coupes à plusieurs passes

En ce qui concerne les coupes dont la profondeur est de plus de 3 mm (1/8"), il sera nécessaire de faire plusieurs passes.

1. Retirer le bloc-piles.
2. Installer la mèche et insérer la console dans la base.
3. Faire tourner la tourelle de profondeur jusqu'à ce que le paramètre minimal (position de profondeur totale) soit directement en dessous de la tige de profondeur.
4. Desserrer le bouton d'ajustage de tige de profondeur.

5. Déverrouiller et tenir le levier de libération de plongée et puis abaisser la console jusqu'à ce que la mèche touche la pièce.
6. Glisser l'indicateur de profondeur vers le zéro (0) dans l'échelle de profondeur.
7. Soulever la tige de profondeur vers la profondeur de coupe désirée.
8. Serrer le bouton d'ajustage de tige de profondeur.
9. Utiliser le cadran de microréglages pour faire des ajustages de précision (le desserrer pour faire une coupe plus superficielle et le serrer pour effectuer une coupe plus profonde).
10. Relâcher le levier de libération de plongée et soulever la console.
11. Faire tourner la tourelle jusqu'à achever la passe la plus haute possible afin d'être prêt pour la première coupe.
12. Faire la coupe telle que décrite dans la section "Exécution des coupes - Coupe plongeante".

### Maniement de l'outil

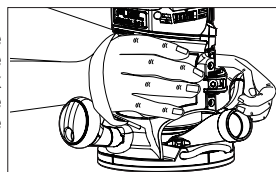
**⚠ AVERTISSEMENT** Garder vos mains et corps à l'écart de la mèche et toutes les pièces en mouvement. Les mèches tranchantes doivent être manipulées avec précaution. Les vêtements flottants, les bijoux et les cheveux longs risquent d'être happés par les pièces en mouvement.

Toujours tenir fermement l'outil à la main durant le démarrage. Lors de l'accélération du moteur, le couple de réaction pourra causer que l'outil se torde.

Tenir fermement l'outil électrique et mettre le corps et les mains d'une façon telle que vous puissiez résister au rebond. L'utilisateur peut contrôler les rebonds si les directives prescrites sont respectées.

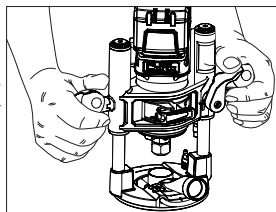
#### Base fixe

Tenir l'outil par la prise de corps et la poignée ou toutes les deux poignées. La prise de corps comporte une courroie ajustable.



#### Accessoire de base plongeante

Pour tenir l'outil, toujours maintenir les deux mains sur les poignées afin d'achever un contrôle maximal.





## Fonctionnement du commutateur à glissière

Pour **démarrer** l'outil, tenir le(s) poignée(s) fermement, glisser le commutateur vers le haut et le pousser vers l'avant pour verrouiller l'outil dans la position de mise en marche.

**REMARQUE** : Les voyants à DEL s'allumeront lorsque l'outil est utilisé.

Pour **arrêter** l'outil, déverrouiller le commutateur. S'assurer que l'outil est complètement arrêté avant de le déposer.

Pour **verrouiller** le commutateur, le glisser vers la position de mise en marche et enfoncer sa partie avant. Pour arrêter l'outil, appuyer sur le commutateur et le relâcher. S'assurer que l'outil est complètement arrêté avant de le déposer.

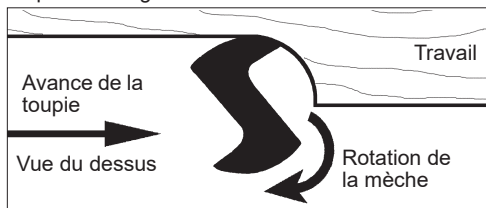
## Exécution des coupes

Avant d'effectuer une coupe, constater que l'écrou du collet et tous les accessoires sont bien serrés. Constater que le levier de blocage est totalement fermé et fixe.

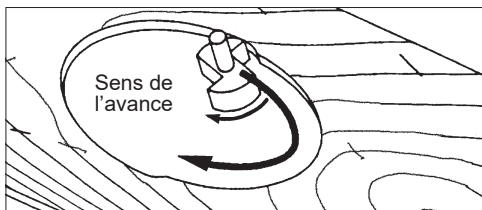
Régler la vitesse et la profondeur de la coupe d'après le matériau à travailler. Maintenir la pression de coupe constante, mais ne pas exercer une force excessive sur la toupie ; sinon, la vitesse de moteur se ralentira excessivement. Il peut bien être nécessaire, lorsqu'on travaille sur les bois durs, les matériaux problématiques, ou bien les coupes extrêmes, de faire plus d'une passe afin d'achever la profondeur de coupe désirée.

Lors de l'utilisation d'un tuyau de dépoussiérage, mettre le tuyau loin de la trajectoire de la toupie.

Avant de débiter la coupe sur la pièce à travailler, faire une coupe d'essai sur une pièce de bois de déchet afin de contrôler les paramètres et les dimensions. Toujours vérifier que la pièce est bien fixe avant d'utiliser la toupie. Lorsque des travaux sont faits dans des chants, la toupie doit être fermement tenue vers le bas et mise contre la pièce à travailler. Étant donné que le couteau tourne à droite, les coupes obtenues seront plus efficaces si la toupie est déplacée de gauche à droite lorsque vous êtes vis-à-vis à la pièce à travailler. Les flèches qui se trouvent dans la base de l'outil indiquent le sens de rotation de la mèche. Lorsque des travaux sont faits dans la section extérieure d'un chant, déplacer la toupie vers la gauche.



Lorsque des travaux sont faits dans la section intérieure d'un chant, déplacer la toupie vers la droite.

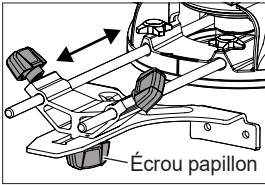


Le fait de déplacer la toupie dans le sens contraire est connu comme " coupe ascendante ".

**⚠ AVERTISSEMENT** Afin de minimiser le risque de blessures, éviter de faire des " coupes ascendantes ". Les coupes ascendantes accroîtront le risque de perdre le contrôle de l'outil et d'endommager la pièce à travailler. S'il n'est pas possible d'éviter de faire des coupes ascendantes, il faudra être extrêmement prudent.

## Base fixe avec un guide de chant

Pour effectuer une coupe droite, utiliser le guide de chant, ou bien fixer une pièce de bois de déchet pour l'utiliser en tant que guide.

1. Pour ajuster le guide de chant droit, desserrer les écrous papillon et ajuster la distance entre la mèche et le guide de chant. Serrer fermement les écrous papillon.
- 
2. Pour utiliser le guide de chant, déplacer l'outil tout en gardant le guide de chant à ras du côté de la pièce à travailler.
  3. Pour utiliser une pièce de bois de déchet en tant que guide (lorsque la distance entre le côté de la pièce à travailler et la position de coupe est trop large pour le guide de chant, ou bien si le côté de la pièce à travailler n'est pas droite), fixer fermement un panneau droit sur la pièce et l'utiliser en tant que guide contre la base de la toupie.

## Coupes plongeantes

**⚠ AVERTISSEMENT** Toujours tenir les poignées fermement aux deux mains durant l'utilisation.

**Ne pas utiliser une base plongeante si la console n'arrive pas à soulever automatiquement lorsque le levier de libération de plongée est appuyé.**

**Ne jamais utiliser la toupie avec une table à toupie ou un appareil de levage pour toupie. Des blessures graves et des dommages au produit pourront survenir.**

1. Serrer fermement la pièce à travailler.
2. Régler la profondeur de coupe.
3. Appuyer sur le levier de libération de plongée et soulever la mèche pour qu'elle ne soit pas en contact avec la pièce à travailler.
4. Tenir les poignées fermement et démarrer l'outil. Attendre jusqu'à ce que l'outil parvienne à atteindre sa vitesse maximale (ou la vitesse définie dans le cadran de vitesse).
5. Appuyer sur le levier de libération de plongée et abaisser lentement la mèche dans la pièce à travailler jusqu'à ce que la tige de profondeur soit en contact avec la tourelle. Relâcher le levier de libération de plongée

- Commencer à déplacer la toupie, en maintenant la base plongeante plate contre la pièce à travailler.
- Une fois terminé, appuyer sur le levier de libération de plongée et soulever la mèche pour la faire sortir de la pièce à travailler.
- Arrêter l'outil et attendre jusqu'à ce que la mèche parvienne à s'arrêter complètement.
- En ce qui concerne les coupes à plusieurs passes**, faire tourner la tourelle vers la passe suivante et répéter. Faire plusieurs passes, en tournant la tourelle vers une passe plus basse à la fois.

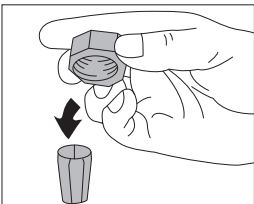
## ENTRETIEN

**⚠ AVERTISSEMENT** Pour minimiser les risques de blessures corporelles, débranchez le chargeur et retirez la batterie du chargeur ou de l'outil avant d'y effectuer des travaux d'entretien. Ne jamais démonter le bloc-piles, le chargeur ou la outil, sauf si ces instructions indiquent faire une telle chose. Pour toute autre réparation, contacter un centre de service de MILWAUKEE.

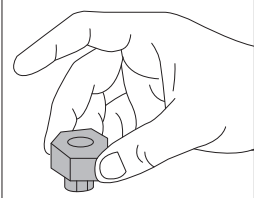
### Assemblage du collet

Avant d'effectuer une coupe, toujours constater que le collet est fermement attaché à l'écrou du collet.

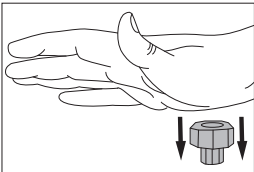
- Pour l'armer, mettre l'extrême étroit du collet sur une surface régulière. Prendre l'écrou et le mettre sur le collet.



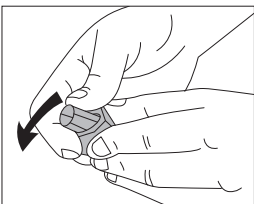
- Mettre l'écrou tout droit sur le collet tout en prêtant attention que l'ouverture la plus petite de l'écrou est vers le haut.



- Enclencher l'écrou et le collet tous ensemble en exerçant à la main une pression descendante ferme sur l'assemblage.



- Pour retirer le collet de l'écrou, tenir l'écrou fermement d'une main et enfoncer le collet de l'autre côté de l'autre main.



## Entretien de l'outil

Gardez l'outil en bon état en adoptant un programme d'entretien ponctuel. Inspectez votre outil pour des questions telles que le bruit excessif, de grippage des pièces mobiles, de pièces cassées ou toute autre condition qui peut affecter le fonctionnement de l'outil. Retournez votre outil à un centre de service MILWAUKEE accrédité pour obtenir le service. Après une période pouvant aller de 6 mois à un an, selon l'usage, retournez votre outil à un centre de service MILWAUKEE accrédité pour d'inspection.

Si l'outil ne démarre pas ou ne fonctionne pas à pleine puissance alors qu'il est branché sur une batterie complètement chargée, nettoyez les points de contact entre la batterie et l'outil. Si l'outil ne fonctionne toujours pas correctement, renvoyez l'outil, le chargeur et la batterie à un centre de service MILWAUKEE accrédité.

**⚠ AVERTISSEMENT** Pour minimiser les risques de blessures ou de dommages à l'outil, n'immergez jamais l'outil, la batterie ou le chargeur et ne laissez pas de liquide s'y infiltrer.

### Nettoyage

Débarrassez les tous événements des débris et de la poussière. Gardez les outil propres, à sec et exemptes d'huile ou de graisse. Le nettoyage doit se faire avec un linge humide et un savon doux. Certains nettoyants tels l'essence, la térébenthine, les diluants à laque ou à peinture, les solvants chlorés, l'ammoniaque et les détergents d'usage domestique qui en contiennent pourraient détériorer le plastique et l'isolation des pièces. Ne laissez jamais de solvants inflammables ou combustibles auprès des outils.

### Réparations

Pour les réparations, retournez outil, batterie et chargeur en entier au centre-service autorisé le plus près.

## ACCESSOIRES

**⚠ AVERTISSEMENT** L'utilisation d'autres accessoires que ceux qui sont spécifiquement recommandés pour cet outil peut comporter des risques.

Pour une liste complète des accessoires, visiter le site internet [www.milwaukeetool.com](http://www.milwaukeetool.com) ou contactez un distributeur.

## SERVICE - CANADA

**Milwaukee Tool (Canada) Ltd**

**1.877.948.2360**

Monday-Friday, 7:00 AM - 4:30 PM CST

[www.milwaukeetool.ca](http://www.milwaukeetool.ca)

## GARANTIE LIMITÉE - AUX ÉTATS-UNIS ET AU CANADA

Cet outil électrique MILWAUKEE\* est garanti à l'acheteur d'origine uniquement par un distributeur agréé de MILWAUKEE d'être exempt de vice du matériau et de fabrication. Sous réserve de certaines exceptions, MILWAUKEE réparera ou remplacera toute pièce de cet outil électrique qui, après examen par MILWAUKEE, est affectée d'un vice de matériau ou de fabrication pendant une période de cinq (5) ans après la date d'achat, sauf indication contraire. Il faudra retourner l'outil électrique à un centre de service en usine MILWAUKEE ou à un poste d'entretien agréé MILWAUKEE, en port prépayé et assuré. Une copie de la preuve d'achat doit être présentée lors du retour du produit. Cette garantie ne couvre pas les dommages que MILWAUKEE détermine d'être causés par des réparations ou des tentatives de réparation par quiconque d'autre que le personnel agréé par MILWAUKEE, des utilisations incorrectes, des allérations, des utilisations abusives, une usure normale, une carence d'entretien ou les accidents.

Usure normale : Par rapport à plusieurs outils électriques, il faut remplacer et entretenir leurs pièces afin de jouir de leur rendement optimal. Cette garantie ne couvre pas les cas de réparation lorsque la vie utile normale de la pièce s'est terminée, incluant, sans s'y limiter, les mandrins, les balais, les câbles, les patins de scie, les brides de lame, les joints toriques, les embouts, les buttoirs, les lames d'entraînement, les pistons, les perceurs, les poussoirs et les rondelles de protection de bouton.

\* Cette garantie ne couvre ni les blocs-piles ni tous les outils électriques. Veuillez vous reporter aux autres garanties différentes disponibles pour ces produits.

La période durant laquelle la garantie est valable pour la lumière à DEL de la lampe de travail à DEL (49-24-0171) et l'ampoule transformée à DEL (49-81-0090) est d'une durée égale à la vie utile du produit en raison des limites au-dessus. Si la lumière à DEL ou l'ampoule transformée à DEL tombent en panne durant l'utilisation normale, la pièce sera remplacée gratuitement.

L'inscription de la garantie n'est pas nécessaire pour bénéficier de la garantie en vigueur d'un outil électrique MILWAUKEE. La date de fabrication du produit servira à établir la période de garantie si aucune preuve d'achat n'est fournie lorsqu'une demande de service sous garantie est faite.

L'ACCEPTION DES RECOURS EXCLUSIFS DE RÉPARATION ET DE REMPLACEMENT DÉCRITS PAR LA PRÉSENTE EST UNE CONDITION DU CONTRAT D'ACHAT DE TOUT PRODUIT MILWAUKEE. SI VOUS N'ACCEPTÉZ PAS CETTE CONDITION, VOUS NE DEVEZ PAS ACHETER LE PRODUIT. EN AUCUN CAS MILWAUKEE NE SAURAIT ÊTRE RESPONSABLE DE TOUT DOMMAGE ACCESSOIRE, SPÉCIAL OU INDIRECT, DE DOMMAGES-INTÉRÊTS PUNITIFS OU DE TOUTE DÉPENSE, D'HONORAIRES D'AVOCATS, DE FRAIS, DE PERTE OU DE DÉLAIS ACCESSOIRES À TOUT DOMMAGE, DÉFAILLANCE OU DÉFAUT DE TOUT PRODUIT, Y COMPRIS NOTAMMENT LES PERTES DE PROFIT, CERTAINS ÉTATS ET PROVINCES NE PERMETTANT L'EXCLUSION OU LA LIMITATION DES DOMMAGES DIRECTS OU INDIRECTS. LES RESTRICTIONS CI-DESSOUS PEUVENT NE PAS ÊTRE APPLICABLES. CETTE GARANTIE EST EXCLUSIVE ET REMPLACE TOUTE AUTRE GARANTIE EXPRESSE, QU'ELLE SOIT VERBALE OU ÉCRITE, DANS LA MESURE PERMISE PAR LA LOI. MILWAUKEE RENONCE À TOUTE GARANTIE IMPLICITE, Y COMPRIS, SANS S'Y LIMITER, TOUTE GARANTIE IMPLICITE DE COMMERCIALISABILITÉ OU D'ADAPTATION À UNE UTILISATION OU À UNE FIN PARTICULIÈRE. DANS LA MESURE OU UNE TELLE STIPULATION D'EXONÉRATION N'EST PAS PERMISE PAR LA LOI. LA DURÉE DE CES GARANTIES IMPLICITES EST LIMITÉE À LA PÉRIODE APPLICABLE DE LA GARANTIE EXPRESSE, TELLE QUE CELA EST DÉCRIT PRÉCÉDEMMENT. CERTAINES PROVINCES NE PERMETTANT PAS DE LIMITATION DE DURÉE DES GARANTIES IMPLICITES, LES RESTRICTIONS CI-DESSUS PEUVENT NE PAS ÊTRE APPLICABLES. LA PRÉSENTE CONFÈRE À L'UTILISATEUR DES DROITS LE GAUX PARTICULIERS : IL BÉNÉFICIE ÉGALEMENT D'AUTRES DROITS QUI VARIENT D'UNE PROVINCE À L'AUTRE. Cette garantie s'applique uniquement aux produits vendus aux États-Unis et au Canada.

Veuillez consulter l'onglet " Trouver un centre Service ", dans la section " Pièces et service " du site web de MILWAUKEE, à l'adresse [www.milwaukeeool.com](http://www.milwaukeeool.com), ou composer le 1.800.SAWDUST (1.800.729.3878) afin de trouver le centre de service le plus proche dans votre région pour l'entretien, sous garantie ou non, de votre outil électrique MILWAUKEE.

## ADVERTENCIAS DE SEGURIDAD GENERALES PARA LA HERRAMIENTA ELÉCTRICA

**⚠️ ADVERTENCIA** Lea todas las advertencias de seguridad, instrucciones, ilustraciones y especificaciones con esta herramienta eléctrica. Si no sigue todas las advertencias e instrucciones, se pueden provocar una descarga eléctrica, un incendio o lesiones graves. **Guarde todas las advertencias e instrucciones para consultarlas en el futuro.** El término "herramienta eléctrica" en todas las advertencias incluidas más abajo se refiere a su herramienta operada por conexión (cable) a la red eléctrica o por medio de una batería (inalámbrica).

## SEGURIDAD EN EL ÁREA DE TRABAJO

- **Mantenga el área de trabajo limpia y bien iluminada.** Las áreas desordenadas u oscuras son propicias para los accidentes.
- **No utilice herramientas eléctricas en atmósferas explosivas, tales como en presencia de líquidos, gases o polvos inflamables.** Las herramientas eléctricas generan chispas que pueden encender el polvo o los vapores.
- **Mantenga a los niños y a los espectadores alejados mientras utiliza una herramienta eléctrica.** Las distracciones pueden ocasionar la pérdida de control.

## SEGURIDAD ELÉCTRICA

- **Los enchufes de la herramienta eléctrica deben coincidir con el tomacorriente. Nunca modifique el enchufe de ninguna manera. No utilice adaptadores de enchufe con herramientas eléctricas aterrizadas.** Los enchufes y tomacorrientes correspondientes sin modificar reducirán el riesgo de descarga eléctrica.
- **Evite el contacto corporal con superficies aterrizadas, tales como tuberías, radiadores, estufas y refrigeradores.** Existe un riesgo mayor de descarga eléctrica si su cuerpo está aterrizado.
- **No exponga las herramientas eléctricas a la lluvia ni a condiciones húmedas.** Si se introduce agua en una herramienta eléctrica, aumentará el riesgo de descarga eléctrica.
- **No maltrate el cable. Nunca utilice el cable para cargar, jalar o desconectar la herramienta eléctrica. Mantenga el cable alejado del calor, el aceite, los bordes afilados o las partes en movimiento.** Los cables dañados o enredados aumentan el riesgo de descarga eléctrica.
- **Al utilizar una herramienta eléctrica en exteriores, utilice una extensión adecuada para uso en exteriores.** El uso de una extensión adecuada para el uso en exteriores disminuye el riesgo de descarga eléctrica.
- **Si es inevitable utilizar una herramienta eléctrica en un lugar húmedo, utilice un alimentador de corriente protegido con un interruptor de circuito por falla de conexión a tierra (GFCI).** El uso de un GFCI reduce el riesgo de descarga eléctrica.

## SEGURIDAD PERSONAL

- **Manténgase alerta, atento a lo que está haciendo y utilice el sentido común al utilizar una herramienta eléctrica.** No utilice una herramienta eléctrica mientras está cansado o bajo la influencia de drogas, alcohol o medicamentos. Un momento de distracción al utilizar herramientas eléctricas puede ocasionar lesiones personales graves.
- **Utilice equipo de protección personal. Siempre use protección para los ojos.** El equipo de protección, tal como una máscara contra polvo, calzado antideslizante, casco o protección auditiva, utilizado para condiciones adecuadas disminuirá las lesiones personales.
- **Evite el arranque accidental. Asegúrese de que el interruptor esté en la posición de apagado antes de conectarlo a una fuente de poder y/o batería, levantar o trasladar la herramienta.** Trasladar herramientas con el dedo en el interruptor o energizar herramientas eléctricas que tienen el interruptor encendido propicia accidentes.
- **Retire cualquier llave de ajuste antes de entender la herramienta.** Una llave que se deje insertada en una parte giratoria de la herramienta eléctrica puede ocasionar lesiones personales.
- **No estire el cuerpo demasiado. Mantenga un buen contacto entre los pies y el suelo y mantenga el equilibrio en todo momento.** Esto permite un mejor control de la herramienta eléctrica en situaciones inesperadas.
- **Vístase adecuadamente. No utilice ropa o joyería holgada. Mantenga el cabello y la ropa alejados de las partes móviles.** La ropa holgada, las alhajas o el cabello largo pueden quedarse atrapados en las partes móviles.
- **Si se proporcionan dispositivos para la conexión de instalaciones de extracción y recolección de polvo, cerciórese de que estén conectados y se utilicen correctamente.** El uso de dispositivos recolectores de polvo puede disminuir los riesgos relacionados con el polvo.
- **No permita que la familiaridad por el uso frecuente de las herramientas lo hagan sentirse seguro e ignoren los principios de seguridad de las herramientas.** Un descuido puede provocar lesiones graves en una fracción de segundo.

## USO Y CUIDADO DE LAS HERRAMIENTAS ELÉCTRICAS

- **No fuerce la herramienta eléctrica. Utilice la herramienta eléctrica correcta para su aplicación.** La herramienta eléctrica correcta realizará el trabajo mejor y con mayor seguridad a la velocidad para la que fue diseñada.
- **No utilice la herramienta eléctrica si el interruptor no la enciende y la apaga.** Cualquier herramienta eléctrica que no pueda controlarse con el interruptor es peligrosa y debe repararse.
- **Desconecte el enchufe de la fuente de energía y/o quite la batería de la herramienta eléctrica, si es posible, antes de realizar cualquier ajuste, cambiar accesorios o almacenar las herramientas eléctricas.** Tales medidas preventivas de seguridad disminuyen el riesgo de que la herramienta eléctrica se encienda accidentalmente.
- **Almacene las herramientas eléctricas que no se estén utilizando fuera del alcance de los niños y no permita que personas que no estén familiarizadas con la herramienta eléctrica o con**

**estas instrucciones la utilicen.** Las herramientas eléctricas son peligrosas en manos de usuarios sin capacitación.

- **Dé mantenimiento a las herramientas eléctricas y accesorios. Verifique que no haya desalineación, amarre de partes móviles, partes rotas o alguna otra condición que pueda afectar el funcionamiento de la herramienta eléctrica.** Si se daña, asegúrese de que la herramienta eléctrica sea reparada antes de que se utilice. Muchos accidentes son ocasionados por herramientas eléctricas con mantenimiento deficiente.
- **Mantenga las herramientas de corte afiladas y limpias.** Las herramientas de corte correctamente mantenidas con bordes de corte afilados son menos propensas a atorarse y son más fáciles de controlar.
- **Utilice la herramienta eléctrica, los accesorios y las puntas, etc. de acuerdo con estas instrucciones, tomando en cuenta las condiciones de trabajo y el trabajo a realizar.** El uso de la herramienta eléctrica para operaciones diferentes a las previstas podría generar una situación peligrosa.
- **Mantenga las empuñaduras y fias superficies de sujeción secas, limpias y libres de aceite y grasa.** Las empuñaduras y superficies de sujeción resbalosas no permiten el manejo y control seguros de la herramienta en situaciones inesperadas.

## USO Y CUIDADO DE LAS HERRAMIENTAS CON BATERÍA

- **Recargue únicamente con el cargador especificado por el fabricante.** Un cargador que es adecuado para un tipo de batería puede crear un riesgo de incendio si se utiliza con otra batería.
- **Utilice las herramientas eléctricas únicamente con baterías específicamente diseñadas.** El uso de cualquier otra batería puede producir un riesgo de lesiones e incendio.
- **Cuando la batería no esté en uso, manténgala alejada de otros objetos metálicos como sujetapapeles, monedas, llaves, clavos, tornillos u otros objetos metálicos pequeños que puedan formar una conexión de una terminal a otra.** Crear un corto entre las terminales de la batería puede ocasionar quemaduras o un incendio.
- **Bajo condiciones de maltrato, el líquido puede ser expulsado de la batería, evite el contacto.** En caso de contacto accidental, lave con agua. Si el líquido entra en contacto con los ojos, busque además ayuda médica. El líquido expulsado de la batería puede causar irritación o quemaduras.
- **No use una batería o herramienta que se haya dañado o modificado.** Las baterías dañadas o modificadas pueden mostrar un comportamiento impredecible, causando incendios, explosión o riesgo de lesión.
- **No exponga una batería o herramienta al fuego o a temperatura excesiva.** La exposición a fuego o temperatura a más de 130° C (265° F) puede causar explosiones.
- **Siga todas las instrucciones de carga y no cargue la batería o la herramienta fuera del rango de temperatura especificado en las instrucciones.** La carga incorrecta o a temperaturas fuera del rango especificado puede dañar la batería y aumentar el riesgo de incendio.

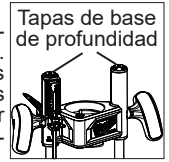
## MANTENIMIENTO

- Lleve su herramienta eléctrica a servicio con un técnico calificado que use únicamente piezas de reemplazo idénticas. Esto asegurará que la seguridad de la herramienta eléctrica se mantenga.
- Nunca dé servicio a baterías dañadas. Únicamente el fabricante o proveedores de servicio autorizados deben dar servicio a las baterías.

## REGLAS DE SEGURIDAD ESPECÍFICAS PARA LAS REBAJADORAS

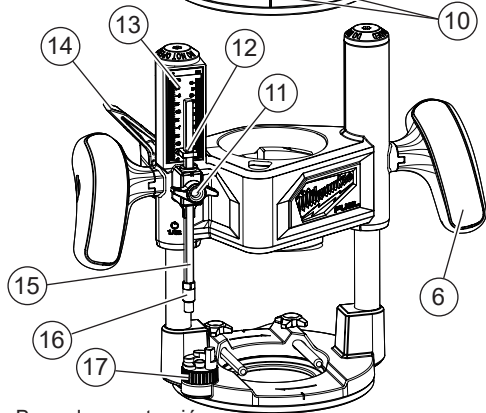
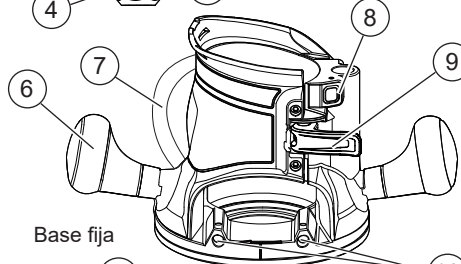
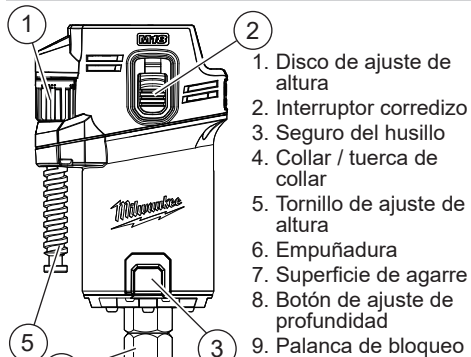
- Use prensas de banco u otra forma práctica de sujetar y soportar la pieza de trabajo a una plataforma estable. Sostener la pieza de trabajo con las manos o apoyarla contra el cuerpo genera inestabilidad y puede causar pérdida de control.
- Siempre sostenga firmemente la herramienta con ambas manos durante la puesta en marcha. El torque de reacción del motor puede provocar que la herramienta gire conforme vaya acelerando a máxima velocidad.
- Mantenga un agarre firme de la herramienta eléctrica y posición su cuerpo y su brazo para permitirle resistir las fuerzas del contragolpe. El operador puede controlar la fuerza de contragolpe si se toman las debidas precauciones.
- Algunas maderas contienen conservadores que pueden ser tóxicos. Tenga mucho cuidado y evite la inhalación y el contacto con la piel cuando trabaje con estos materiales. Solicite toda la información de seguridad disponible a su proveedor de materiales y sígala al pie de la letra.
- Nunca sostenga la pieza de trabajo con una mano y la herramienta con la otra al momento de usar la herramienta. Nunca ponga las manos cerca ni debajo de la superficie de corte. Es más seguro fijar el material y guiar la herramienta con ambas manos.
- Nunca use brocas desafiladas ni dañadas. Las brocas filosas deben manejarse con cuidado. Las brocas dañadas pueden romperse durante el uso. Las brocas desafiladas exigen más fuerza para ejercer presión en la herramienta, lo que puede provocar que se rompa la broca. Las brocas dañadas pueden lanzar pedazos de carburo y quemar la pieza.
- Después de cambiar la broca o realizar algún ajuste, asegúrese de que la tuerca del collar y todos los demás dispositivos de ajuste estén apretados con firmeza. Los dispositivos de ajuste flojos pueden moverse de manera inesperada, lo que provocaría una pérdida de control. Los componentes giratorios flojos pueden proyectarse con fuerza. Tenga cuidado de la vibración y el bamboleo, los cuales podrían indicar que la broca no se instaló correctamente.
- Nunca ponga en marcha la herramienta cuando la broca esté en contacto con el material. El borde filoso de la broca podrá atrapar el material, lo que ocasionaría una pérdida de control de la herramienta.
- Nunca baje la herramienta sino hasta que la broca se haya detenido por completo. La broca giratoria podrá atrapar la superficie y jalar la herramienta, lo que ocasionaría una pérdida de control de la herramienta.
- Nunca toque la broca ni durante ni inmediatamente después de usarla. La broca, el collar y la tuerca del collar estarán demasiado calientes después de usarlas que podrían quemar la piel desnuda.

- Nunca fije la pieza de trabajo a una superficie rígida, como es el caso del concreto o la piedra. El contacto con la broca podría provocar que la herramienta salte y se salga de control.
- Solamente use la rebajadora cuando la sostenga con las manos. No fije ni asegure la rebajadora a una superficie ni sostenga la pieza con las manos.
- Nunca use las brocas que sean más largas que la abertura más pequeña en la base, sub-base o el puerto de recolección de polvo.
- No afloje ni retire las tapas de la base de profundidad. Los resortes internos están bajo presión. Si se aflojan o se retiran, las tapas de la base de profundidad y los resortes internos podrían ser proyectados, lo que generaría lesiones.
- Nunca use la rebajadora con una mesa para rebajadora o una elevadora de rebajadora. Podría sufrir lesiones graves o se puede dañar el producto.



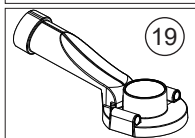
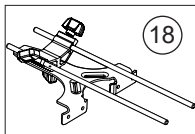
- **ADVERTENCIA** Para reducir el riesgo de lesiones, al momento de realizar trabajos en situaciones donde haya presencia de polvo, utilice la protección respiratoria adecuada o utilice una solución de extracción de polvo que cumpla con los requisitos de la OSHA.
- Para reducir el riesgo de explosión, choque eléctrico y daños a la propiedad, siempre revise el área de trabajo en búsqueda de tuberías y cableados ocultos antes de realizar labores de rebajado.
- Evite las áreas abiertas en la base de la rebajadora. Podría sufrir lesiones físicas serias si tiene contacto con una broca en movimiento.
- Válgase siempre de su sentido común y sea cuidadoso cuando utilice herramientas. No es posible anticipar todas las situaciones que podrían tener un desenlace peligroso. No utilice esta herramienta si no entiende estas instrucciones de uso o si considera que el trabajo a realizar supera sus capacidades, comuníquese con Milwaukee Tool o con un profesional capacitado para recibir capacitación o información adicional.
- Conserve las etiquetas y las placas nominales. Contienen información importante. Si son ilegibles o no están presentes, comuníquese con un centro de servicio MILWAUKEE para obtener un reemplazo gratuito.
- **ADVERTENCIA** Algunos polvos generados por el lijado eléctrico, aserrado, pulido, taladrado y otras actividades de construcción contienen químicos identificados como causantes de cáncer, defectos congénitos u otros daños reproductivos. Algunos ejemplos de estos químicos son:
  - plomo de pintura basada en plomo
  - dióxido de silicio de los ladrillos y el cemento y otros productos de albañilería y
  - arsénico y cromo de madera con tratamiento químico.Su riesgo por estas exposiciones varía, dependiendo de la frecuencia con que realice este tipo de trabajo. Para reducir su exposición a estos químicos: trabaje en un área bien ventilada y trabaje con equipo de seguridad aprobado, como mascarillas protectoras contra polvo especialmente diseñadas para filtrar partículas microscópicas.

## DESCRIPCION FUNCIONAL



Base de penetración  
(Cat No. 48-10-2838)

10. Orificios de accesorios  
11. Perilla de ajuste de varillas de profundidad  
12. Indicador de profundidad  
13. Escala de profundidad  
14. Palanca de liberación de penetración  
15. Varilla de profundidad  
16. Disco de microajustes  
17. Torreta de alto de profundidad  
18. Guía de cantos  
19. Cubierta antipolvo



## ESPECIFICACIONES

Cat. No.....	2838-20
Volts.....	18 CD
Tipo de batería .....	M18™
Tipo de cargador .....	M18™
RPM sin carga.....	12 000 a 25 000
Tamaño de collar .....	1/4" a 1/2"
Temperatura ambiente recomendada para operar.....	-18°C a 50°C (0°F a 125°F)
Base de penetración Cat. No.....	48-10-2838

## SIMBOLOGÍA



Volts



Corriente continua

$n_r$ , XXXX  $\text{min}^{-1}$  Revoluciones por minuto sin carga (RPM)



Leer el manual del operador



UL Listing Mark para  
Canadá y Estados Unidos

## ENSAMBLAJE

**⚠ ADVERTENCIA** Recargue la batería sólo con el cargador especificado para ella. Para instrucciones específicas sobre cómo cargar, lea el manual del operador suministrado con su cargador y la batería.

### Como se inserta/quita la batería en la herramienta

Para retirar la batería, presione los botones de liberación y jale de la batería para sacarla de la herramienta.

**⚠ ADVERTENCIA** Siempre retire la batería cada vez que la herramienta no esté en uso.

Para introducir la batería, deslícela en el cuerpo de la herramienta. Asegúrese de que quede bien firme en su posición.

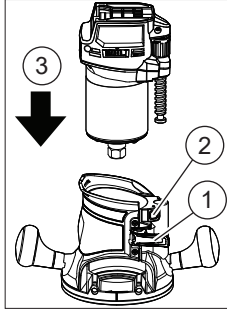
**⚠ ADVERTENCIA** Utilice únicamente accesorios específicamente recomendados para esta herramienta.

## Instalación/retiro de las bases

**⚠ADVERTENCIA** Para reducir el riesgo de lesiones, no use la rebajadora si la palanca de bloqueo no sostiene la consola firmemente sobre la base. Revise el tornillo de la palanca de bloqueo y apriételo de ser necesario. Oprimir el botón de ajuste de profundidad provocará que la consola se caiga, lo que podría ocasionar lesiones físicas o daños a la herramienta o la pieza de trabajo. Asegúrese de que su mano esté firme en la consola al momento de presionar el botón.

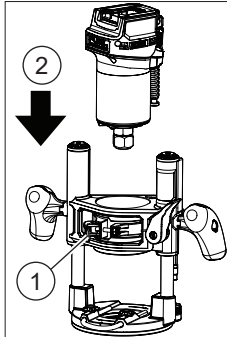
### Base fija

1. Abra la palanca de bloqueo (1).
2. Mantenga oprimido el botón de ajuste de profundidad en la base fija (2).
3. Inserte la consola (3) en la base.
4. Suelte el botón.
5. Cierre la palanca de bloqueo.
6. Para quitar la base, siga el mismo proceso en el orden inverso.



### Accesorio de base de penetración

1. Abra la palanca de bloqueo (1).
2. Inserte la consola (2) en la base.
3. Cierre la palanca de bloqueo.
4. Para quitar la base, siga el mismo proceso en el orden inverso.



## Collares

El collar debe fijarse a la tuerca de collar antes de ponerlo en el eje del collar. Asegúrese de que el tamaño del collar coincida con el tamaño del eje de la broca que va a usar. Si se usa una broca con un eje de tamaño incorrecto, el collar podría romperse. Para fijar o quitar el collar de la tuerca del collar, consulte la sección "Ensamble del collar".

### Cambio de tuercas de collar

A la rebajadora puede instalarse una tuerca de collar de 1/4" o de 1/2" para distintas aplicaciones.

1. Quite la batería.
2. Quite la consola de la base.
3. Ponga la consola boca abajo en un banco de trabajo.
4. Mantenga oprimido el seguro del husillo y use la llave de 1-1/8" para aflojar la tuerca del collar hacia la izquierda.
5. Quite la tuerca del collar.
6. Enrosque la nueva tuerca del collar (ya sea de 1/4" o de 1/2") en el husillo.

7. Apriete la tuerca del collar con la mano.
8. Mantenga oprimido el seguro del husillo y use la llave de 1-1/8" para apretar bien la tuerca del collar hacia la derecha (o use ambas llaves de 1-1/8" para apretar bien la tuerca del collar).

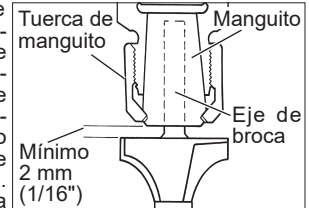
## Instalación/retiro de las brocas

**⚠ADVERTENCIA** Nunca use brocas más anchas que los orificios más pequeños de la base o de la cubierta antipolvo. El uso de brocas más anchas puede provocar una pérdida de control y posibles lesiones físicas graves.

No apriete la tuerca de collar sin haber insertado primero la broca. El collar podría romperse.

Nunca toque la broca ni durante ni inmediatamente después de usarla. Después de usar la herramienta, la broca, el collar y la tuerca del collar estarán demasiado calientes que podrán quemar la piel desnuda.

1. Quite la batería.
2. Quite la consola de la base.
3. Ponga la consola boca abajo en un banco de trabajo.
4. Mantenga oprimido el seguro del husillo y use la llave de 1-1/8" para aflojar la tuerca del collar hacia la izquierda.
5. Inserte el eje de broca en el collar tan al fondo como pueda llegar.
6. Regrese el eje de la broca hacia afuera ligeramente para evitar que llegue totalmente hasta el fondo.
7. Asegúrese de que haya una distancia mínima de 2 mm (1/16") entre el ensamble del collar y el radio con respecto a la parte de corte de la broca.



8. Apriete la tuerca del collar con la mano.
9. Mantenga oprimido el seguro del husillo y use la llave de 1-1/8" para apretar bien la tuerca del collar hacia la derecha (o use ambas llaves de 1-1/8" para apretar bien la tuerca del collar).

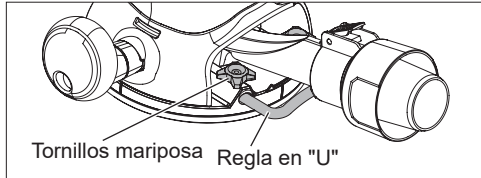
**⚠ADVERTENCIA** Si la tuerca del collar no se aprieta con firmeza, la broca podría salirse durante el uso, lo que provocaría lesiones físicas graves.

Durante el uso, siempre mantenga la manguera de aspiración lejos del trayecto que recorrerá la broca. Si la broca de bordeo giratoria está en contacto con la manguera, la manguera se romperá y los residuos proyectados podrán causar lesiones.

## Instalación de una cubierta antipolvo

**⚠ADVERTENCIA** Para reducir el riesgo de lesiones, no use la cubierta antipolvo cuando realice cortes de profundidad si la broca es más ancha que la abertura del puerto (35 mm (1-3/8")). Si la broca de borde giratoria está en contacto con la cubierta antipolvo, el adaptador se romperá y los residuos proyectados podrán causar lesiones.

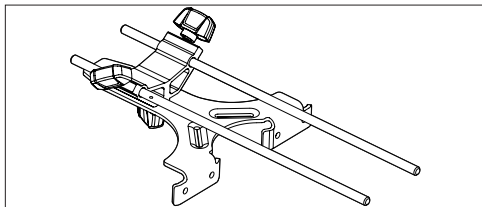
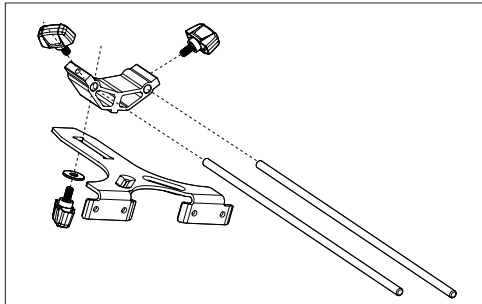
1. Quite la consola y los tornillos mariposa de la base.
2. Ponga la cubierta antipolvo en la base.
3. Inserte la varilla en "U" en los orificios de la base.
4. Apriete los tornillos mariposa.



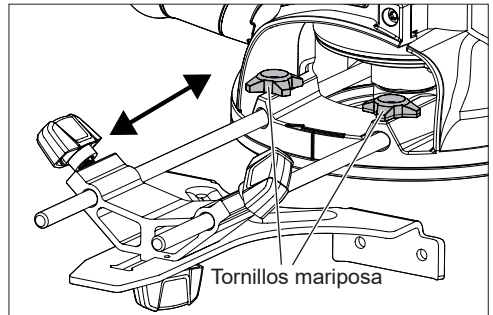
5. Conecte una manguera de aspiración al puerto y use una solución de extracción de polvo aprobada por la OSHA.

## Instalación de la guía de cantos

1. Arme la guía de cantos tal como se muestra en la imagen.



2. Fije la guía de cantos a la base deslizando las varillas en los orificios de accesorios y apretando los tornillos mariposa.



## OPERACIÓN

**⚠ADVERTENCIA** Con el fin de minimizar el riesgo de lesiones, siempre utilice la protección de ojos adecuada indicada para cumplir con lo dispuesto en la norma ANSI Z87.1.

Al momento de realizar trabajos en situaciones donde haya presencia de polvo, utilice la protección respiratoria adecuada o utilice una solución de extracción de polvo que cumpla con los requisitos de la OSHA.

Quite la batería antes de cambiar los accesorios o hacer ajustes.

Nunca realice ajustes mientras la rebajadora está funcionando.

No use la rebajadora si la palanca de bloqueo no sostiene el motor firmemente sobre la base. Revise el tornillo de la palanca de bloqueo y apriételo durante el uso de ser necesario.

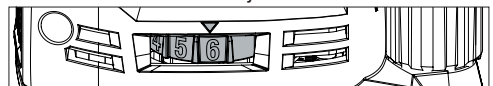
Nunca use la rebajadora con una mesa para rebajadora o una elevadora de rebajadora. Podría sufrir lesiones graves o se puede dañar el producto.

Siempre revise el ensamble del collar antes de usarlo. Si el collar se separa de la tuerca del collar durante el uso, podría sufrir lesiones graves o se puede dañar el producto.

## Selección de la velocidad

**⚠ADVERTENCIA** Para reducir el riesgo de lesiones, use únicamente las brocas giratorias con la capacidad nominal que coincida con el ajuste de velocidad operativa de la herramienta.

Es posible cambiar las RPM de la herramienta por medio del disco de control de velocidad. Las configuraciones del control de velocidad variable oscilan entre los números seis (6) y uno (1). Los números más altos corresponden a las velocidades más altas mientras que los números más bajos corresponden a las velocidades más bajas.



Use las velocidades más rápidas para brocas y cortadoras pequeñas, maderas blandas, plásticos y laminados. Use las velocidades más lentas para brocas y cortadoras de un diámetro más largo.



Configuración de velocidad	RPM nominales*
1	12 000
2	14 600
3	17 200
4	19 800
5	22 400
6	25 000

\*Las RPM cambiarán de acuerdo con de la broca, así como el tamaño y la capacidad de la batería.

### Ajuste de la profundidad de corte

**⚠ ADVERTENCIA** Oprimir el botón de ajuste de profundidad provocará que la consola se caiga, lo que podría ocasionar lesiones físicas o daños a la herramienta o la pieza de trabajo. Asegúrese de que su mano esté firme en la consola al momento de presionar el botón.

#### Base fija

1. Quite la batería.
2. Abra totalmente la palanca de bloqueo.
3. Oprima el botón de ajuste de profundidad y, con la otra mano, levante o baje la consola a la profundidad de corte deseada.
4. Suelte el botón de ajuste de profundidad para definir la profundidad.
5. Para realizar ajustes finos, gire el disco de ajuste de altura (que tiene marcas con incrementos de 1/64") a la profundidad de corte deseada.
6. Cierre la palanca de bloqueo.

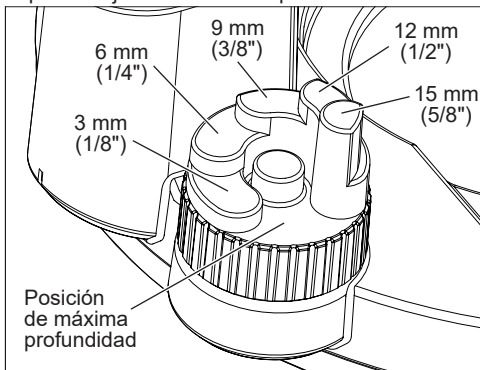
#### Accesorio de base de penetración

La profundidad de corte de la base de penetración puede ajustarse de dos maneras: para cortes de único pase (cortes superficiales de menos de 3 mm (1/8") o cortes de varios pases.

##### Cortes de único pase

Se trata de un corte superficial, como los cortes rígidos, que puede realizarse con un único pase.

1. Quite la batería.
2. Instale la broca e inserte la consola en la base.
3. Gire la torreta de alto de profundidad hasta que el ajuste más alto 15 mm (5/8") esté directamente por debajo de la varilla de profundidad.



4. Afloje la perilla de ajuste de varillas de profundidad.
  5. Desbloquee la palanca de liberación de penetración y sosténgala. Después, baje la consola hasta que la broca toque la pieza de trabajo.
  6. Suelte la palanca de liberación de penetración.
  7. Ajuste de la profundidad de corte:
    - a. Suba la varilla de profundidad y deslice la pieza a incrustar (como una bisagra) entre la torreta superior y la varilla de ajuste de profundidad. Apriete la perilla de ajuste de varillas de profundidad. Quite la pieza de referencia de la torreta.
    - b. Deslice el indicador de profundidad hasta el cero (0) en la escala de profundidad y, después, levante la varilla de ajuste de profundidad a la profundidad de corte deseada. Apriete la perilla de ajuste de varillas de profundidad. **NOTA:** No realice un corte de más de 3 mm (1/8") en un único pase.
  8. Realice el corte tal como se describe en la sección "Realización del corte - Corte de profundidad".
- Cortes de varios pases*
- Para cortes con una profundidad de más de 3 mm (1/8"), será necesario realizar varios pases.
1. Quite la batería.
  2. Instale la broca e inserte la consola en la base.
  3. Gire la torreta de profundidad hasta que el ajuste más bajo (posición de máxima profundidad) esté directamente por debajo de la varilla de profundidad.
  4. Afloje la perilla de ajuste de varillas de profundidad.
  5. Desbloquee la palanca de liberación de penetración y sosténgala. Después, baje la consola hasta que la broca toque la pieza de trabajo.
  6. Deslice el indicador de profundidad hasta el cero (0) en la escala de profundidad.
  7. Suba la varilla de profundidad a la profundidad de corte deseada.
  8. Apriete la perilla de ajuste de varillas de profundidad.
  9. Use el disco de microajustes para realizar ajustes de precisión (afloje para un corte más superficial y apriételo para un corte más profundo).
  10. Suelte la palanca de liberación de penetración y levante la consola.
  11. Gire la torreta hasta el pase más alto posible para que esté listo para realizar el primer corte.
  12. Realice el corte tal como se describe en la sección "Realización del corte - Corte de profundidad".

## Manejo de la herramienta

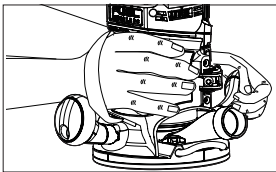
**⚠ADVERTENCIA** Mantenga las manos y el cuerpo lejos de la broca y todas las partes móviles. Las brocas filosas deben manejarse con cuidado. La ropa holgada, la joyería y el cabello largo pueden quedarse atrapados en las partes móviles.

Siempre sostenga firmemente la herramienta con ambas manos durante la puesta en marcha. El torque de reacción del motor puede provocar que la herramienta gire conforme vaya acelerando a máxima velocidad.

Mantenga un agarre firme de la herramienta eléctrica y posicione su cuerpo y su brazo para permitirle resistir las fuerzas del contragolpe. El operador puede controlar la fuerza de contragolpe si se toman las debidas precauciones.

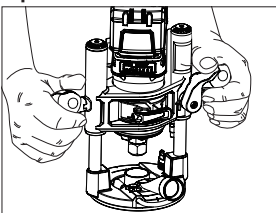
### Base fija

Sostenga la herramienta con el agarre de cuerpo y la empuñadura o ambas empuñaduras. El agarre de cuerpo cuenta con una correa ajustable.



### Accesorio de base de penetración

Sostenga la herramienta con ambas manos puestas sobre las empuñaduras en todo momento para tener un máximo control.



### Funcionamiento del interruptor corredizo

Para **arrancar** la herramienta, sostenga la(s) empuñadura(s) con firmeza, deslice el interruptor hacia arriba y empujelo hacia adelante para bloquear la herramienta en la posición de encendido.

**NOTA:** Las Luces LED se encienden cuando la herramienta está en uso.

Para **detener** la herramienta, desbloquee el interruptor. Asegúrese de que la herramienta se detenga por completo antes de bajarla.

Para **bloquear** el interruptor, deslice el interruptor hacia la posición de encendido y oprima la parte delantera del interruptor. Para detener la herramienta, oprima el interruptor y suéltelo. Asegúrese de que la herramienta se detenga por completo antes de bajarla.

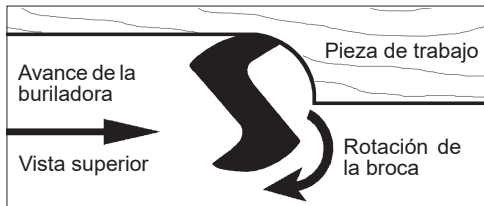
## Realización de cortes

Antes de cortar, revise que la tuerca de collar y todos los accesorios estén apretados. Revise que la palanca de bloqueo esté totalmente cerrada y segura.

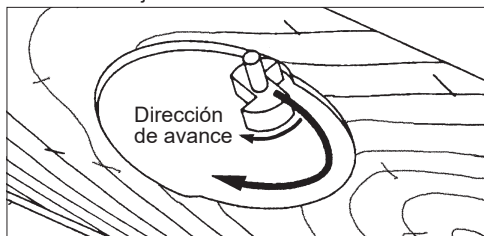
Ajuste la velocidad y la profundidad del corte según el material que se va a trabajar. Mantenga la presión de corte constante, pero no emplee una cantidad excesiva de fuerza en la rebajadora para que el motor no baje de velocidad excesivamente. Podría ser necesario hacer más de un pase en la profundidad de corte deseada en maderas excepcionalmente rígidas, materiales problemáticos o en cortes extremos. Cuando use una manguera de recolección de polvo, ponga la manguera lejos de la trayectoria que seguirá la rebajadora.

Antes de comenzar el corte a realizarse en la pieza, realice un corte de prueba en un pedazo de madera de desecho para corroborar las configuraciones y las dimensiones. Asegúrese siempre de que la pieza esté segura antes de rebajarla. Cuando se rebajen bordes, la rebajadora debe sostenerse con firmeza hacia abajo y contra la pieza de trabajo.

Dado que la cortadora rota hacia la derecha, se tendrán cortes más eficientes si mueve la rebajadora de izquierda a derecha mientras está de frente a la pieza de trabajo. Las flechas en la base de la herramienta indican la dirección de rotación de la broca. Cuando se trabaje en la parte exterior de un borde, mueva la rebajadora hacia la izquierda.



Cuando trabaje en la parte interior de un borde, mueva la rebajadora hacia la derecha.



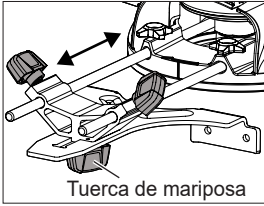
Mover la rebajadora en la dirección opuesta se conoce como "corte elevado".

**⚠ADVERTENCIA** Para reducir el riesgo de lesiones, evite realizar "cortes elevados". Los cortes elevados aumentan la posibilidad de que ocurra una pérdida de control de la herramienta y se dañe la pieza de trabajo. Si no es posible evitar los cortes elevados, sea sumamente precavido.

### Base fija con una guía de cantos

Para lograr un corte recto, use la guía de cantos o fije una pieza de madera de desecho que puede usar a manera de guía.

1. Para ajustar la guía de cantos recta, afloje las tuercas de mariposa y ajuste la distancia entre la broca y la guía de cantos. Apriete fuertemente las tuercas de mariposa.



Tuerca de mariposa

2. Para usar la guía de cantos, mueva la herramienta con la guía de cantos al ras del lado de la pieza de trabajo.
3. Para usar un pedazo de madera de desecho como guía (cuando la distancia entre el lado de la pieza de trabajo y la posición de corte sea demasiado ancha para usar la guía o si el lado de la pieza de trabajo no es recto), sujete bien una tabla recta a la pieza de trabajo y úsela como guía contra la base de la rebajadora.

### Corte de penetración

**ADVERTENCIA** Siempre sostenga las empuñaduras firmemente con ambas manos durante la operación.

No use una base de penetración si la consola no se levanta automáticamente cuando se presiona la palanca de liberación de penetración.

Nunca use la rebajadora con una mesa para rebajadora o una elevadora de rebajadora. Podría sufrir lesiones graves o se puede dañar el producto.

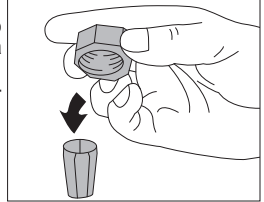
1. Fije con firmeza la pieza de trabajo.
2. Ajuste la profundidad de corte.
3. Presione la palanca de liberación de penetración y levante la broca para que no esté en contacto con la pieza de trabajo.
4. Sostenga firmemente las empuñaduras y encienda la herramienta. Espere hasta que la herramienta alcance su máxima velocidad (o la velocidad definida en el disco de control de velocidad).
5. Presione la palanca de liberación de penetración y baje lentamente la broca sobre la pieza de trabajo hasta que la varilla de profundidad esté en contacto con la torreta. Suelte la palanca de liberación de penetración.
6. Empiece a mover la rebajadora, manteniendo la base de penetración plana sobre la pieza de trabajo.
7. Cuando haya terminado, presione la palanca de liberación de penetración y levante la broca para sacarla de la pieza de trabajo.
8. Detenga la herramienta y espere hasta que la broca se detenga por completo.
9. **Para cortes de varios pases**, rote la torreta al siguiente pase y repita. Realice varios pases, rotando la torreta con un pase más bajo cada vez.

**ADVERTENCIA** Para reducir el riesgo de una lesión, desconecte siempre la herramienta antes de darle cualquier mantenimiento. Nunca desarme la batería, el cargador o la herramienta, salvo que así lo indiquen estas instrucciones. Comuníquese con un centro de servicio de MILWAUKEE para todas las demás reparaciones.

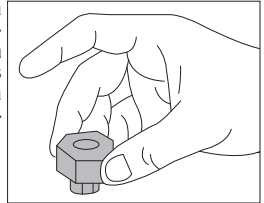
### Ensamble del collar

Antes de realizar un corte, siempre revise que el collar esté bien fijo a la tuerca del collar.

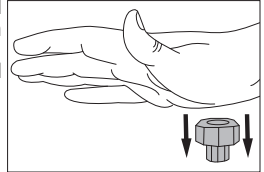
1. Para **armarlo**, ponga el extremo estrecho del collar sobre una superficie regular. Tome la tuerca y póngala en el collar.



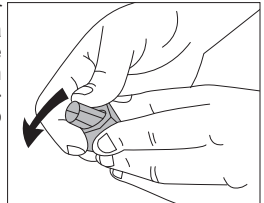
2. Ponga la tuerca recta sobre el collar, prestando atención a que la abertura más pequeña de la tuerca se ubique hacia arriba.



3. Meta la tuerca en el collar a presión y, con la palma de la mano, oprima hacia abajo el ensamble.



4. Para quitar el collar de la tuerca, sostenga la tuerca firmemente con una mano y, con la otra mano, presione el collar a uno de los lados.



### Mantenimiento de las herramientas

Adopte un programa regular de mantenimiento y mantenga su herramienta en buenas condiciones. Inspeccione la herramienta para problemas como ruidos indebidos, desalineadas o agarradas de partes móviles, piezas rotas o cualquier otra condición que pueda afectar el funcionamiento de la herramienta. Envíe su herramienta al Centro de Servicio MILWAUKEE para reparación. Después de 6 meses a un año, dependiendo del uso dado, envíe su herramienta al Centro de Servicio MILWAUKEE más cercano para la inspección. Si la herramienta no arranca u opera a toda su potencia con una batería completamente cargada, limpie, con una goma o borrador, los contactos de la batería y de la herramienta. Si aun así la herramienta no trabaja correctamente, regrésela, con el cargador y la batería, a un centro de servicio MILWAUKEE.

**ADVERTENCIA** Para reducir el riesgo de lesiones, descarga eléctrica o daño a la herramienta, nunca la sumerja en líquidos ni permita que estos fluyan dentro de la misma.

### Limpieza

Limpie el polvo y suciedad de las cualquier ventilas. Mantenga los herramienta, limpios, secos y libres de aceite o grasa. Use solo jabón neutro y un trapo húmedo para limpiar, ya que algunos substancias y solventes limpiadores son dañinos a los plásticos y partes aislantes. Algunos de estos incluyen: gasolina, turpentina, thinner, lacas, thinner para pinturas, solventes para limpieza con cloro, amoníaco y detergentes caseros que tengan amonia. Nunca usa solventes inflamables o combustibles cerca de una herramienta.

### Reparaciones

Si su herramienta, batería o cargador están dañados, envíela al centro de servicio autorizado más cercano.

### ACCESORIOS

**ADVERTENCIA** Utilice sólo los accesorios específicamente recomendados. Otros accesorios puede ser peligroso.

Para una lista completa de accesorios, visite nuestro sitio en Internet: [www.milwaukeetool.com](http://www.milwaukeetool.com) o póngase en contacto con un distribuidor.

### SOPORTE DE SERVICIO - MEXICO

#### CENTRO DE ATENCION A CLIENTES

Techtronic Industries Mexico, S.A. de C.V.

Av. Presidente Masarik 29 Piso 7

11560 Polanco V Seccion

Miguel Hidalgo, Distrito Federal, México

01 (800) 030-7777 o (55) 4160-3540

Lunes a Viernes (9am a 6pm)

O contáctanos en [www.milwaukeetool.com.mx](http://www.milwaukeetool.com.mx)

### GARANTÍA LIMITADA - E.U.A. Y CANADA

Esta herramienta eléctrica de MILWAUKEE® está garantizada, ante el comprador original únicamente, por parte de un distribuidor autorizado MILWAUKEE, de que no tenga material y mano de obra defectuosos. Sujeto a ciertas excepciones, MILWAUKEE reparará o sustituirá cualquier pieza de esta herramienta eléctrica que tenga defectos de material o mano de obra según lo determine MILWAUKEE mediante una revisión, por un periodo de cinco (5) años después de la fecha de compra a menos que se indique lo contrario. Al devolver la herramienta eléctrica a un centro de servicio de fábrica de MILWAUKEE o a una estación de servicio autorizada de MILWAUKEE, es necesario que la devolución se haga con flete pagado por adelantado y asegurado. Se debe incluir una copia del comprobante de compra con el producto devuelto. Esta garantía no aplica a daños que MILWAUKEE determine que son ocasionados por reparaciones o intentos de reparaciones realizados por una persona que no sea personal autorizado de MILWAUKEE, uso indebido, alteraciones, maltrato, desgaste normal, falta de mantenimiento o accidentes.

Desgaste normal: Muchas herramientas eléctricas necesitan cambios de piezas y mantenimiento periódicos para alcanzar su máximo rendimiento. Esta garantía no cubre la reparación cuando el uso normal ha agotado la vida útil de una pieza, incluyendo, entre otros, mandriles, cepillos, cables, zapatas de la sierra, abrazaderas de la hoja, juntas tóricas, sellos, protectores, hojas de accionamiento, pistones, herrajes, levantadores y arandelas de cubierta de los protectores.

\*La presente garantía no cubre ni las baterías ni todas las herramientas eléctricas. Consulte las distintas garantías independientes que están disponibles para estos productos.

La vigencia de la garantía de la luz LED en la lámpara LED de trabajo (49-24-0171) y el foco mejorado de LED (49-81-0090) es la misma que la vida útil del producto sujeto a las limitaciones anteriores. Si la luz LED o el foco mejorado LED presentan fallas durante su uso normal, se cambiará la pieza sin costo.

No es necesario realizar el registro de la garantía para recibir la garantía correspondiente a un producto de herramienta eléctrica de MILWAUKEE. La fecha de fabricación del producto servirá para determinar la vigencia de la garantía en caso de que no presente ningún comprobante de compra al solicitar el servicio en garantía. LA ACEPTACIÓN DE LOS RESARCIMIENTOS EXCLUSIVOS DE REPARACIÓN Y SUSTITUCIÓN AQUÍ DESCRITOS ES UNA

CONDICIÓN DEL CONTRATO EN CUANTO A LA COMPRA DE TODO PRODUCTO DE MILWAUKEE. SI USTED NO ACEPTA ESTA CONDICIÓN, NO DEBE COMPRAR EL PRODUCTO. MILWAUKEE NO SERÁ RESPONSABLE EN NINGUN CASO DE DAÑOS INCIDENTALES, ESPECIALES, EMERGENTES O PUNITIVOS NI DE NINGÚN COSTO, HONORARIOS DE ABOGADOS, GASTOS, PÉRDIDAS O DEMORAS QUE SUPUESTAMENTE SEAN CONSECUENCIA DE ALGUN DAÑO, FALLA O DEFECTO DE ALGUNO DE LOS PRODUCTOS, INCLUYENDO, ENTRE OTROS, RECLAMACIONES POR PÉRDIDA DE UTILIDADES. ALGUNOS ESTADOS NO PERMITEN LA EXCLUSIÓN O LIMITACIÓN DE RESPONSABILIDAD POR DAÑOS INCIDENTALES O EMERGENTES, POR LO QUE LA ANTERIOR LIMITACIÓN O EXCLUSIÓN PODRÍA NO APLICARSE EN SU CASO. ESTA GARANTÍA ES EXCLUSIVA Y SUSTITUYE TODAS LAS DEMÁS GARANTÍAS EXPRESAS, SEAN ESTAS ESCRITAS U ORALES. HASTA DONDE PERMITA LA LEY, MILWAUKEE DESCONOCE CUALQUIER GARANTÍA IMPLÍCITA, INCLUYENDO, SIN LIMITACIÓN, CUALQUIER GARANTÍA IMPLÍCITA DE COMERCIABILIDAD O IDONEIDAD PARA UN FIN O USO ESPECÍFICO; HASTA EN QUE DICHO DESCONOCIMIENTO NO SEA PERMITIDO POR LA LEY, DICHAS GARANTÍAS IMPLÍCITAS SE LIMITAN A LA DURACIÓN DE LA GARANTÍA EXPRESA CORRESPONDIENTE SEGÚN LO ARRIBA DESCRITO. ALGUNOS ESTADOS NO PERMITEN LIMITACIONES EN LA VIGENCIA DE UNA GARANTÍA IMPLÍCITA, POR LO QUE LA ANTERIOR LIMITACIÓN PODRÍA NO APLICAR A USTED. ESTA GARANTÍA LE CONFIERE DERECHOS JURÍDICOS ESPECÍFICOS Y USTED PODRÍA, ADEMÁS, TENER OTROS DERECHOS QUE VARIAN SEGÚN EL ESTADO.

Esta garantía aplica únicamente a los productos vendidos en EE. UU. y Canadá.

Consulte la pestaña "Búsqueda de centro de servicio" en la sección de Partes y servicio del sitio web de MILWAUKEE en [www.milwaukeetool.com](http://www.milwaukeetool.com) o llame al 1.800.SAWDUST (1.800.729.3878) para localizar su centro de servicio más cercano para darle servicio, con y sin garantía, a una herramienta de MILWAUKEE.

### PÓLIZA DE GARANTÍA - VALIDA SOLO PARA MEXICO, AMERICA CENTRAL Y EL CARIBE

La garantía de TECHTRONIC INDUSTRIES es por 5 años a partir de la fecha original de compra.

Esta tarjeta de garantía cubre cualquier defecto de material y mano de obra en ese Producto.

Para hacer válida esta garantía, presente esta tarjeta de garantía, cerrada/sellada por el distribuidor o la tienda donde compró el producto, al Centro de Servicio Autorizado (ASC). O, si esta tarjeta no se ha cerrado/sellado, presente la prueba original de compra a ASC. Llame 55 4160-3547 para encontrar el ASC más cercano, para servicio, partes, accesorios o componentes.

#### Procedimiento para hacer válida esta garantía

Lleve el producto a ASC, junto con la tarjeta de garantía cerrada/sellada por el distribuidor o la tienda donde compró el producto, y cualquier pieza o componente defectuoso se reemplazará sin costo para usted. Cubriremos todos los costos de flete con relación a este proceso de garantía.

#### Excepciones

Esta garantía no tendrá validez en las siguientes situaciones:

- Cuando el producto se use de manera distinta a la que indica el manual del usuario final o de instrucciones.
- Cuando las condiciones de uso no sean normales.
- Cuando otras personas no autorizadas por TECHTRONIC INDUSTRIES modifiquen o reparen el producto.

**Nota:** si el juego de cables está dañado, tiene que reemplazarse en un Centro de Servicio Autorizado para evitar riesgos eléctricos.

#### CENTRO DE SERVICIO Y ATENCIÓN

Llame al 55 4160-3547

IMPORTADO Y COMERCIALIZADO POR  
TECHTRONIC INDUSTRIES, MEXICO, S.A. DE C.V.  
Miguel de Cervantes Saavedra No.301 Piso 5, Torre Norte  
11520 Colonia Ampliación Granada  
Miguel Hidalgo, Ciudad de Mexico, Mexico

Modelo: \_\_\_\_\_

Fecha de Compra: \_\_\_\_\_

Sello del Distribuidor: \_\_\_\_\_

**MILWAUKEE TOOL**  
13135 West Lisbon Road  
Brookfield, WI 53005 USA

58140295d1  
02/23

961014589-01(A)  
Printed in China