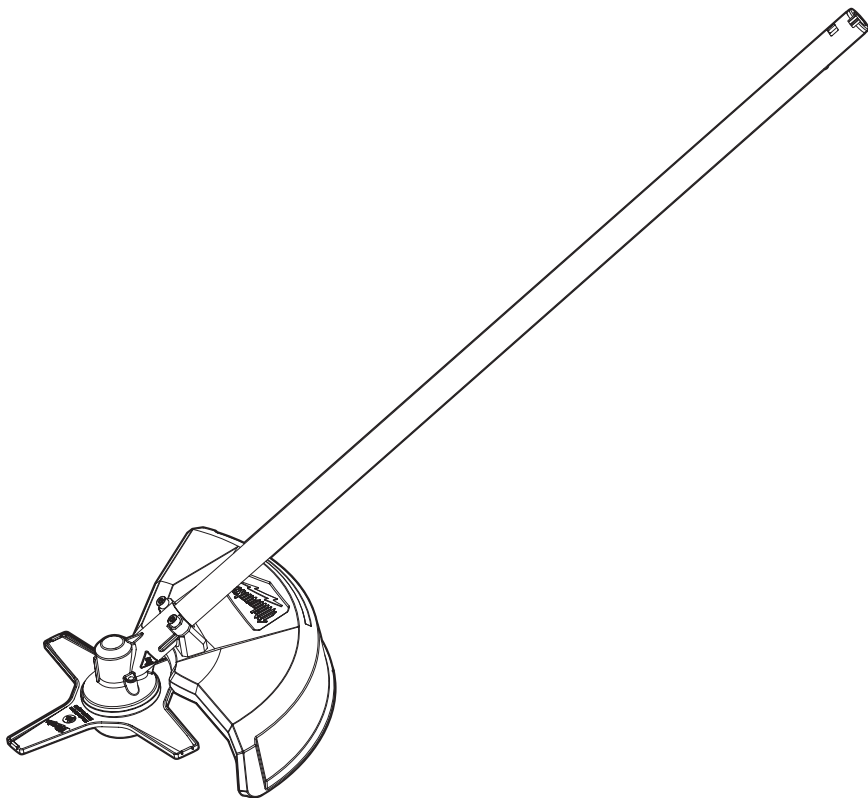




OPERATOR'S MANUAL
MANUEL de L'UTILISATEUR
MANUAL del OPERADOR



Cat. No. / No de cat.
49-16-2738

M18 FUEL™ QUIK-LOK™ BRUSH CUTTER ATTACHMENT
ACCESSOIRE DE DÉBROUSSAILLEUSE QUIK-LOK™
M18 FUEL™
ACCESORIO DE CORTAMALEZAS QUIK-LOK™ M18 FUEL™



WARNING To reduce the risk of injury, user must read and understand operator's manual.

AVERTISSEMENT Afin de réduire le risque de blessures, l'utilisateur doit lire et bien comprendre le manuel.

ADVERTENCIA Para reducir el riesgo de lesiones, el usuario debe leer y entender el manual.

GENERAL POWER TOOL SAFETY WARNINGS

⚠WARNING Read all safety warnings, instructions, illustrations and specifications provided with this power tool. Failure to follow all instructions listed below may result in electric shock, fire and/or serious injury. **Save all warnings and instructions for future reference.** The term "power tool" in the warnings refers to your mains-operated (corded) power tool or battery-operated (cordless) power tool.

WORK AREA SAFETY

- **Keep work area clean and well lit.** Cluttered or dark areas invite accidents.
- **Do not operate power tools in explosive atmospheres, such as in the presence of flammable liquids, gases or dust.** Power tools create sparks which may ignite the dust or fumes.
- **Keep children and bystanders away while operating a power tool.** Distractions can cause you to lose control.

ELECTRICAL SAFETY

- **Power tool plugs must match the outlet. Never modify the plug in any way. Do not use any adapter plugs with earthed (grounded) power tools.** Unmodified plugs and matching outlets will reduce risk of electric shock.
- **Avoid body contact with earthed or grounded surfaces, such as pipes, radiators, ranges and refrigerators.** There is an increased risk of electric shock if your body is earthed or grounded.
- **Do not expose power tools to rain or wet conditions.** Water entering a power tool will increase the risk of electric shock.
- **Do not abuse the cord. Never use the cord for carrying, pulling or unplugging the power tool. Keep cord away from heat, oil, sharp edges or moving parts.** Damaged or entangled cords increase the risk of electric shock.
- **When operating a power tool outdoors, use an extension cord suitable for outdoor use.** Use of a cord suitable for outdoor use reduces the risk of electric shock.
- **If operating a power tool in a damp location is unavoidable, use a ground fault circuit interrupter (GFCI) protected supply.** Use of an GFCI reduces the risk of electric shock.

PERSONAL SAFETY

- **Stay alert, watch what you are doing and use common sense when operating a power tool. Do not use a power tool while you are tired or under the influence of drugs, alcohol or medication.** A moment of inattention while operating power tools may result in serious personal injury.
- **Use personal protective equipment. Always wear eye protection.** Protective equipment such as a dust mask, non-skid safety shoes, hard hat or hearing protection used for appropriate conditions will reduce personal injuries.
- **Prevent unintentional starting. Ensure the switch is in the off-position before connecting to power source and/or battery pack, picking up or carrying the tool.** Carrying power tools with your finger on the switch or energizing power tools that have the switch on invites accidents.

- **Remove any adjusting key or wrench before turning the power tool on.** A wrench or a key left attached to a rotating part of the power tool may result in personal injury.
- **Do not overreach. Keep proper footing and balance at all times.** This enables better control of the power tool in unexpected situations.
- **Dress properly. Do not wear loose clothing or jewelry. Keep your hair and clothing away from moving parts.** Loose clothes, jewelry or long hair can be caught in moving parts.
- **If devices are provided for the connection of dust extraction and collection facilities, ensure these are connected and properly used.** Use of dust collection can reduce dust-related hazards.
- **Do not let familiarity gained from frequent use of tools allow you to become complacent and ignore tool safety principles.** A careless action can cause severe injury within a fraction of a second.

POWER TOOL USE AND CARE

- **Do not force the power tool. Use the correct power tool for your application.** The correct power tool will do the job better and safer at the rate for which it was designed.
 - **Do not use the power tool if the switch does not turn it on and off.** Any power tool that cannot be controlled with the switch is dangerous and must be repaired.
 - **Disconnect the plug from the power source and/ or remove the battery pack, if detachable, from the power tool before making any adjustments, changing accessories, or storing power tools.** Such preventive safety measures reduce the risk of starting the power tool accidentally.
 - **Store idle power tools out of the reach of children and do not allow persons unfamiliar with the power tool or these instructions to operate the power tool.** Power tools are dangerous in the hands of untrained users.
 - **Maintain power tools and accessories. Check for misalignment or binding of moving parts, breakage of parts and any other condition that may affect the power tool's operation. If damaged, have the power tool repaired before use.** Many accidents are caused by poorly maintained power tools.
 - **Keep cutting tools sharp and clean.** Properly maintained cutting tools with sharp cutting edges are less likely to bind and are easier to control.
 - **Use the power tool, accessories and tool bits etc. in accordance with these instructions, taking into account the working conditions and the work to be performed.** Use of the power tool for operations different from those intended could result in a hazardous situation.
 - **Keep handles and grasping surfaces dry, clean and free from oil and grease.** Slippery handles and grasping surfaces do not allow for safe handling and control of the tool in unexpected situations.
- ### BATTERY TOOL USE AND CARE
- **Recharge only with the charger specified by the manufacturer.** A charger that is suitable for one type of battery pack may create a risk of fire when used with another battery pack.
 - **Use power tools only with specifically designated battery packs.** Use of any other battery packs may create a risk of injury and fire.

- When battery pack is not in use, keep it away from other metal objects, like paper clips, coins, keys, nails, screws or other small metal objects, that can make a connection from one terminal to another. Shorting the battery terminals together may cause burns or a fire.
- Under abusive conditions, liquid may be ejected from the battery; avoid contact. If contact accidentally occurs, flush with water. If liquid contacts eyes, additionally seek medical help. Liquid ejected from the battery may cause irritation or burns.
- Do not use a battery pack or tool that is damaged or modified. Damaged or modified batteries may exhibit unpredictable behavior resulting in fire, explosion or risk of injury.
- Do not expose a battery pack or tool to fire or excessive temperature. Exposure to fire or temperature above 265°F (130°C) may cause explosion.
- Follow all charging instructions and do not charge the battery pack or tool outside the temperature range specified in the instructions. Charging improperly or at temperatures outside the specified range may damage the battery and increase the risk of fire.
- While operating the machine, always wear long trousers. Exposed skin increases the likelihood of injury from thrown objects.
- Keep bystanders away while operating the machine. Thrown debris can result in serious personal injury.
- Always use two hands when operating the machine. Holding the machine with both hands will avoid loss of control.
- Hold the machine by the insulated gripping surfaces only, because the cutting line or blade may contact hidden wiring. Cutting line or blades contacting a "live" wire may make exposed metal parts of the machine "live" and could give the operator an electric shock.
- Always keep proper footing and operate the machine only when standing on the ground. Slippery or unstable surfaces may cause a loss of balance or control of the machine.
- Do not operate the machine on excessively steep slopes. This reduces the risk of loss of control, slipping and falling which may result in personal injury.
- When working on slopes, always be sure of your footing, always work across the face of slopes, never up or down and exercise extreme caution when changing direction. This reduces the risk of loss of control, slipping and falling which may result in personal injury.

SERVICE

- Have your power tool serviced by a qualified repair person using only identical replacement parts. This will ensure that the safety of the power tool is maintained.
- Never service damaged battery packs. Service of battery packs should only be performed by the manufacturer or authorized service providers.

SPECIFIC SAFETY RULES FOR BRUSH CUTTERS

General brush cutter safety warnings:

- Do not use the machine in bad weather conditions, especially when there is a risk of lightning. This decreases the risk of being struck by lightning.
- Thoroughly inspect the area for wildlife where the machine is to be used. Wildlife may be injured by the machine during operation.
- Thoroughly inspect the area where the machine is to be used and remove all stones, sticks, wires, bones, and other foreign objects. Thrown objects can cause personal injury.
- Before using the machine, always visually inspect to see that the cutter or blade and the cutter or blade assembly are not damaged. Damaged parts increase the risk of injury.
- Follow instructions for changing accessories. Improperly tightened blade securing nuts or bolts may either damage the blade or result in it becoming detached.
- The rated rotational speed of the blade must be at least equal to the maximum rotational speed marked on the machine. Blades running faster than their rated rotational speed can break and fly apart.
- Wear eye, ear, head and hand protection. Adequate protective equipment will reduce personal injury by flying debris or accidental contact with the cutting line or blade.
- While operating the machine, always wear safety footwear. Do not operate the machine when barefoot or wearing open sandals. This reduces the chance of injury to the feet from contact with a moving cutter, line or blade.
- When cutting brush or saplings that are under tension, be alert for spring back. When the tension in the wood fibres is released, the brush or sapling may strike the operator and/or throw the machine out of control.
- Use extreme caution when cutting brush and saplings. The slender material may catch the blade and be whipped toward you or pull you off balance.
- Maintain control of the machine and do not touch cutters, lines or blades and other hazardous moving parts while they are still in motion. This reduces the risk of injury from moving parts.
- Carry the machine with the machine switched off and away from your body. Proper handling of the machine will reduce the likelihood of accidental contact with a moving cutter, line or blade.
- When transporting or storing the machine, always fit the cover on metal blades. Proper handling of the machine will reduce the likelihood of accidental contact with the blade.
- Only use replacement cutters, lines, cutting heads and blades specified by the manufacturer. Incorrect replacement parts may increase the risk of breakage and injury.
- When clearing jammed material or servicing the machine, make sure the switch is off and the battery pack is removed. Unexpected starting of the machine while clearing jammed material or servicing may result in serious personal injury.

Blade thrust causes and related warnings:

- Blade thrust is a sudden sideways, forward or backward motion of the machine, which may occur when the blade jams or catches on an object such as a sapling or a tree stump. It can be violent enough to cause the machine and/or operator to be propelled in any direction, and possibly lose control of the machine.
- Blade thrust and its related hazards can be avoided by taking proper precautions as given below.
- **Maintain a firm grip with both hands on the machine and position your arms to resist blade thrust. Position your body to the left side of the machine.** Blade thrust can increase the risk of injury due to the machine moving unexpectedly. Blade thrust can be controlled by the operator if proper precautions are taken.
- **If the blade binds, or when interrupting a cut for any reason, switch the machine off and hold the machine motionless in the material until the blade comes to a complete stop. While the blade is binding, never attempt to remove the machine from the material or pull the machine backward while the blade is in motion, otherwise blade thrust may occur.** Investigate and take corrective actions to eliminate the cause of blade binding.
- **Do not use blunt or damaged blades.** Blunt or damaged blades increase the risk of jamming or catching on an object, resulting in blade thrust.
- **Always maintain good visibility of the material being cut.** Blade thrust is more likely to occur in areas where it is difficult to see the material being cut.
- **If you are approached by another person while operating the machine, switch the machine off.** There is an increased risk of injury to other persons being struck by the moving blade in the event of blade thrust.

Other brush cutter safety rules:

- **Before use, read this manual, and all manuals and labels of this tool and its power head.** Failure to follow the warnings and instructions may result in serious injury. Use tool only as described in this manual. Use only attachments recommended by MILWAUKEE.
- **AWARNING Do not operate near electric power lines.** The unit has not been designed to provide protection from electric shock in the event of contact with electric power lines. Consult local regulations for safe distances from electric power lines and ensure that the operating position is safe and secure before use.
- **Do not use an attachment extension with this tool attachment.** The additional length will make this attachment difficult to control and could cause injury.
- **Use the shoulder strap to reduce user fatigue and help in maintaining control of the tool during use.**
- **Do not wear multiple shoulder straps simultaneously.** When wearing a shoulder strap, ensure that no other wearable interferes with the release and removal of the strap.
- **Do not use the tool near anything that is burning or smoking** such as cigarettes, matches, or hot ashes.
- **To reduce the risk of health hazards from vapors or dust, do not use tool near toxic, carcinogenic or other hazardous materials** such as asbestos, arsenic, barium, beryllium, lead, pesticides or other health endangering materials.

- **Use care when using around decorative plants and other obstacles.** Accessories will cut/damage many materials.
- **Do not operate the tool without the guard in place. The guard must be attached properly during use.** Operating the tool without the guard will cause serious injury.
- **Do not use tool with a damaged cutter head.** Cracked or broken pieces can be thrown.
- **Do not operate the tool without the front handle and hip barrier in place. The front handle must be attached properly during use. Use both hands when operating the tool, according to the attachment instructions. Maintain a firm grip.** Using one hand could cause loss of control and result in serious injury.
- **Do not use the tool as an edger. Do not tilt tool to create a right angle to the ground. Keep brush cutter head parallel to the ground.** Guard cannot protect against flying debris in this orientation.
- **Keep face, hands and feet clear of moving parts at all times.** Moving parts can cause severe lacerations.
- **Brace for unexpected movement when contact is made with a hard object.** Loss of control could result in serious injury.
- **Thrown objects may ricochet off of hard surfaces, such as walls, trees, and rocks and cause injury.** When possible, do cutting by hand in closed in areas.
- **Carry the tool by the front handle to avoid accidental starting.** Proper handling of the tool will prevent injury.
- **Always turn off the tool when transporting from one location to another.** Do not carry tool with finger on the trigger. Accidental starting can cause serious personal injury.
- **Do not immerse in water or spray with a hose. Do not clean with a pressure washer.** Water entering a power tool will increase the risk of electric shock. Store tool indoors.
- **Do not store the power tool on or near to fertilizers or chemicals.**
- **Always turn off the tool and then remove battery pack before changing or removing accessories.**
- **Always use common sense and be cautious when using tools.** It is not possible to anticipate every situation that could result in a dangerous outcome. Do not use this tool if you do not understand these operating instructions or you feel the work is beyond your capability; contact Milwaukee Tool or a trained professional for additional information or training.
- **Maintain labels and nameplates.** These carry important information. If unreadable or missing, contact a MILWAUKEE service facility for a free replacement.
- **AWARNING Some dust created by power sanding, sawing, grinding, drilling, and other construction activities contains chemicals known to cause cancer, birth defects or other reproductive harm.** Some examples of these chemicals are:
 - lead from lead-based paint
 - crystalline silica from bricks and cement and other masonry products, and
 - arsenic and chromium from chemically-treated lumber.Your risk from these exposures varies, depending on how often you do this type of work. To reduce your exposure to these chemicals: work in a well ventilated area, and work with approved safety equipment, such as those dust masks that are specially designed to filter out microscopic particles.

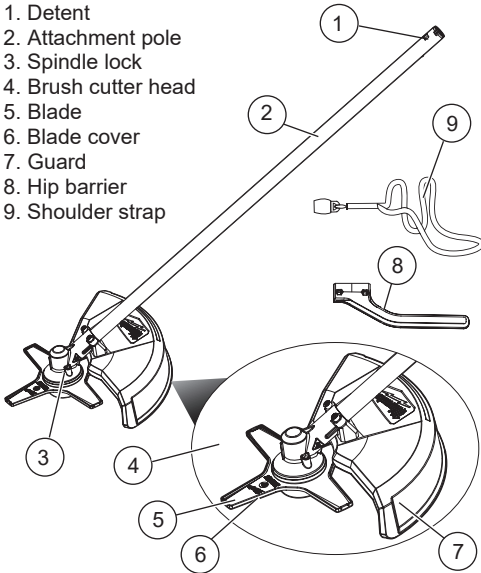
READ AND SAVE ALL INSTRUCTIONS FOR FUTURE USE

SPECIFICATIONS

Cat. No.....	49-16-2738
Power Head.....	2825-20
RPM.....	Low 0 - 4900 High 0 - 6200
Cutting Blade Diameter	9"
Blade Cat. No.	49-16-2757
T30 Hex Wrench Cat. No.	45-96-0030
Head Removal Tool (5 mm) Cat. No.....	44-60-0144

FUNCTIONAL DESCRIPTION

1. Detent
2. Attachment pole
3. Spindle lock
4. Brush cutter head
5. Blade
6. Blade cover
7. Guard
8. Hip barrier
9. Shoulder strap



NOTE: The shoulder strap and hip barrier must be installed on the 2825-20 M18 FUEL™ Attachment System w/ QUIK-LOK™ Power Head.

SYMBOLGY



Volts



Direct Current

n_0 XXXX min⁻¹ No Load Revolutions per Minute (RPM)



Safety Alert Symbol



Read operator's manual.



Wear eye, ear and head protection.



Wear slip-resistant footwear.



Wear protective gloves.



Keep hands and feet away from the blade.



Beware of blade thrust.



Beware of thrown objects.



The distance between the machine and bystanders shall be at least 15 m (50 ft).



Do not use with saw or edger blade.



Surface is hot. Avoid contact.



UL Listing for Canada and U.S.

ASSEMBLY

⚠WARNING Before use, read manual and labels of the power head. Important assembly and use instructions are provided in the power head manual. Connect the attachment to the power head in accordance with the power head manual.

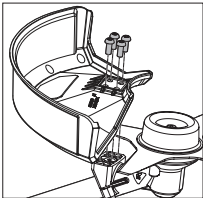
Do not operate the tool without the guard and hip barrier in place. The guard and hip barrier must be attached properly during use. Operating the tool without the guard and hip barrier will cause serious injury.

Always remove battery pack before changing or removing accessories.

Installing the Guard

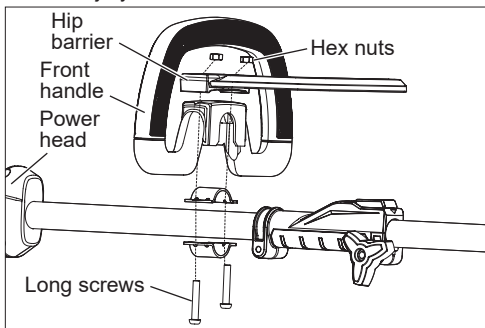
The guard is shipped uninstalled and must be installed before use.

1. Line up the guard bracket with the holes in the guard.
2. Insert four screws through the guard and into the bracket.
3. Tighten the screws securely using the included hex wrench.



Installing the Hip Barrier

The hip barrier is shipped uninstalled and must be installed before use. The hip barrier must be attached properly on the left side of the QUIK-LOK™ Power Head, so that the brush cutter is used on your right side. This is to help prevent kickback that could cause serious injury.



1. Remove the two screws from underneath the front handle of the QUIK-LOK™ Power Head.
2. Remove the hex nuts from the front handle of the QUIK-LOK™ Power Head.
3. Line up the hip barrier on top of the front handle. The hip barrier must be oriented on the left side of the tool.

NOTE: The handle and hip barrier must be installed on the power head pole, just after the "Place Handle Here" label.

4. Line up the hex nuts on top of the hip barrier.
5. Insert the two long screws that came with the hip barrier through the bottom of the front handle to connect the front handle, hip barrier, and hex nuts into place. Tighten the screws securely.

⚠WARNING Do not use tool with a damaged cutter head. Cracked or broken pieces can be thrown.

⚠CAUTION When handling a cutter blade, always wear gloves and put the blade cover on the blade.

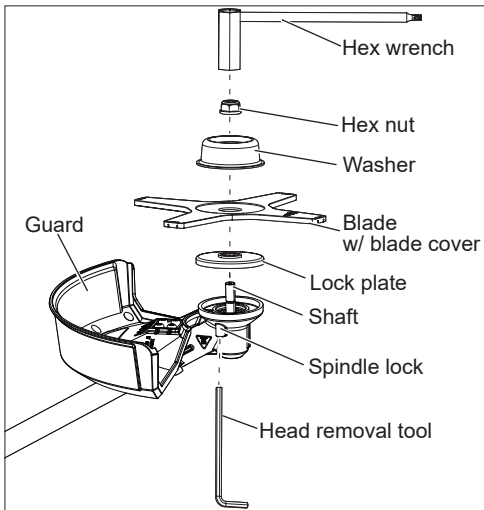
Installing/Removing the Blade Cover

To **install** the blade cover, snap the cover into place over the bottom of the blade. Check to make sure the cover is secure over each side of the blade.

To **remove** the blade cover, pull the cover away from the blade.

Installing/Removing the Blade

The blade is shipped uninstalled and must be installed before use.



To **install** the blade:

1. Remove the battery pack.
2. Insert the head removal tool into the spindle lock and keep in place.
3. Attach the blade onto the shaft so that the guide of the lock plate fits in the arbor hole in the blade.
4. Place the washer onto the shaft, on top of the blade.
5. Place the hex nut over the washer and tighten the hex nut with 115-204 in.-lb. of tightening torque.
6. Remove the hex wrench and head removal tool.

To **remove** the blade:

1. Remove the battery pack.
2. Turn the brush cutter upside down.
3. Insert the head removal tool into the spindle lock and keep in place.
4. Insert the hex wrench over the hex nut. Rotate clockwise until the hex nut loosens. Remove the hex nut.
5. Remove the hex nut, washer and blade.

Selecting the Speed

Use the speed control button to select Low or High speeds. Use low speed for larger jobs where extended battery life is needed. Use high speed for dense growth applications.



WARNING Do not wear multiple shoulder straps simultaneously. When wearing a shoulder strap, ensure that no other wearable interferes with the release and removal of the strap.

Attaching the Shoulder Strap

Use the shoulder strap to reduce user fatigue and help in maintaining control of the tool during use.

To **install** the strap:

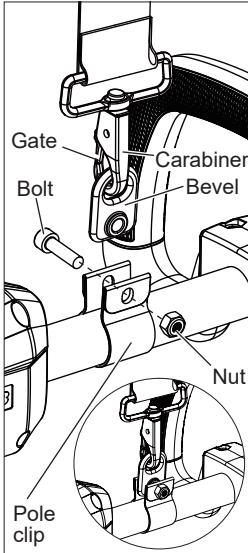
1. Remove the battery pack.
2. Fit the pole clip around the power head pole between the front handle and rear handle in a location comfortable during use.
3. Insert the bolt through the pole clip and strap bevel. Thread the nut onto the bolt and tighten securely.
4. Clip the strap carabiner to the bevel.
5. Adjust the pole clip as needed to ensure the blade is at operating level.

To **wear** the strap:

1. Put your right arm and head through the strap.
2. Adjust the strap clips to change the strap length to fit comfortably.
3. Slide the neck pad to the appropriate position.

To **unclip** the strap:

1. Hold the tool by the front handle with your left hand.
2. Grip the carabiner with your right hand and unclip by pushing in the gate and it sliding off the bevel.



OPERATION

WARNING To reduce the risk of injury, always wear proper eye protection marked to comply with ANSI Z87.1.

Always remove battery pack before changing or removing accessories or attachments.

Do not operate the tool without the front handle in place. The front handle must be attached properly for use. Using one hand could cause loss of control and result in serious injury.

Do not operate the tool without the guard and hip barrier in place. The guard and hip barrier must be attached properly during use. Operating the tool without the guard and hip barrier will cause serious injury.

During operation, use the shoulder strap. Keep the brush cutter on your right side firmly.

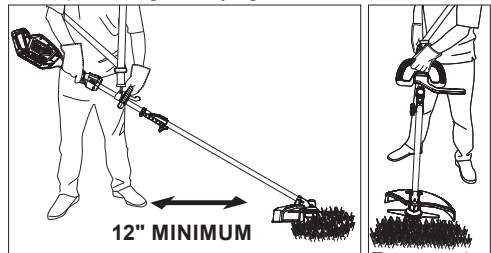
Use both hands when operating the tool, according to the attachment instructions. Maintain a firm grip. Using one hand could cause loss of control and result in serious injury.

Inspect the area before use. Remove all debris and hard objects such as rocks, glass, wire, etc. that can ricochet, be thrown, or otherwise cause injury or damage during operation.

Trimming

1. Remove the blade cover before use. Inspect the blade for damage. If damaged, do not use and replace the blade.
2. Grasp the trigger handle with your right hand and the front handle with your left hand to properly align yourself behind the guard and away from the direction of cut.
3. To **start** the tool, squeeze the lock-off lever and pull the trigger.
4. To **vary** the speed, increase or decrease the pressure on the trigger. The further the trigger is pulled, the greater the speed up to the maximum set by the speed control button.
5. Allow the tool to angle down, keeping at least 12" between the brush cutter head and any body part. Hold the tool just above the ground and swing the head side to side.

WARNING! Do not use tool as an edger. Do not tilt tool to create a right angle to the ground. Keep brush cutter head parallel to the ground. Guard cannot protect against flying debris in this orientation.



NOTE: The brush cutter will cut best when moved across the ground in the opposite direction of the arrow on the guard.

6. In the event of blockages, turn the tool off and remove the battery before clearing any debris.
7. To **stop** the tool release the trigger. Make sure the tool comes to a complete stop before laying the tool down.

Materials to Cut

- Thick grass, brush, weeds, small diameter trees and saplings

Cutting Tips

- Make multiple passes in long growth to avoid block-ages.
- Avoid ornamental trees, shrubs, and plantings. Avoid contact with siding, fence posts, etc. They can all be damaged by the tool.
- Inspect the tool for damage upon striking a hard object or if there appears to be excessive vibration.

MAINTENANCE

⚠WARNING To reduce the risk of injury, always unplug the charger and remove the battery pack from the charger or tool before performing any maintenance. Never disassemble the tool, battery pack or charger. Contact a MILWAUKEE service facility for ALL repairs.

Maintaining Tool

Keep your tool, battery pack and charger in good repair by adopting a regular maintenance program. Inspect your tool for issues such as undue noise, misalignment or binding of moving parts, breakage of parts, or any other condition that may affect the tool operation. Return the tool, battery pack, and charger to a MILWAUKEE service facility for repair. After six months to one year, depending on use, return the tool, battery pack and charger to a MILWAUKEE service facility for inspection.

If the tool does not start or operate at full power with a fully charged battery pack, clean the contacts on the battery pack. If the tool still does not work properly, return the tool, charger and battery pack, to a MILWAUKEE service facility for repairs.

⚠WARNING Do not use blunt or damaged blades. Blunt or damaged blades increase the risk of jamming or catching on an object, resulting in blade thrust.

Replacing the Blade

The blade should be inspected before each use. If the blade chips or becomes dull, it should be replaced. For instructions on removing and installing the blade, please see the "Installing/Removing the Blade" section of this manual.

⚠WARNING To reduce the risk of personal injury and damage, never immerse your tool, battery pack or charger in liquid or allow a liquid to flow inside them.

Cleaning

Clean dust and debris from any vents. Keep tool clean, dry and free of oil or grease. Use only mild soap and a damp cloth to clean, since certain cleaning agents and solvents are harmful to plastics and other insulated parts. Some of these include gasoline, turpentine, lacquer thinner, paint thinner, chlorinated cleaning solvents, ammonia and household detergents containing ammonia. Never use flammable or combustible solvents around tools.

Repairs

For repairs, return the tool, battery pack and charger to the nearest authorized service center.

ACCESSORIES

⚠WARNING Use only recommended accessories. Others may be hazardous.

For a complete listing of accessories, go online to www.milwaukeeetool.com or contact a distributor.

SERVICE - UNITED STATES

1-800-SAWDUST (1.800.729.3878)

Monday-Friday, 7:00 AM - 6:30 PM CST

or visit www.milwaukeeetool.com

Contact Corporate After Sales Service Technical Support with technical, service/repair, or warranty questions.

Email: metproductsupport@milwaukeeetool.com

Become a Heavy Duty Club Member at www.milwaukeeetool.com to receive important notifications regarding your tool purchases.

SERVICE - CANADA

Milwaukee Tool (Canada) Ltd

1.877.948.2360

Monday-Friday, 7:00 AM - 4:30 PM CST

or visit www.milwaukeeetool.ca

LIMITED WARRANTY USA & CANADA

Every MILWAUKEE Outdoor Power Equipment Product* (see exceptions below) is warranted to the original purchaser from an authorized MILWAUKEE distributor only to be free from defects in material and workmanship. Subject to certain exceptions, MILWAUKEE will repair or replace any part on an outdoor power equipment product which, after examination, is determined by MILWAUKEE to be defective in material or workmanship for a period of three (3) years** after the date of purchase unless otherwise noted. Return of the outdoor power equipment to a MILWAUKEE factory Service Center location or participating MILWAUKEE Authorized Service Station, freight prepaid and insured, is required. A copy of the proof of purchase should be included with the return product. This warranty does not apply to damage that MILWAUKEE determines to be from repairs made or attempted by anyone other than MILWAUKEE authorized personnel, misuse, alterations, abuse, normal wear and tear, lack of maintenance, or accidents. Normal Wear: Many outdoor power equipment products need periodic parts replacement and service to achieve best performance. This warranty does not cover repair when normal use has exhausted the life of a part including, but not limited to mower blades, trimmer head, trimmer head spool, cutting lines, blades, chains, blower tubes, brushes, o-rings, and seals.

*This warranty does not cover Cordless Battery Packs or Reconditioned Product. There are separate and distinct warranties available for these products.

**The warranty period for SWITCH TANK™ tank assemblies, hoses, handles, and wands are one (1) year from the date of purchase.

MILWAUKEE does not cover freight or labor charges associated with the inspection and testing of outdoor power equipment products which are found by MILWAUKEE not to be a valid warranty claim. A valid warranty claim must be substantiated by the discovery of defective material or workmanship by MILWAUKEE.

ACCEPTANCE OF THE EXCLUSIVE REPAIR AND REPLACEMENT REMEDIES DESCRIBED HEREIN IS A CONDITION OF THE CONTRACT FOR THE PURCHASE OF EVERY MILWAUKEE PRODUCT. IF YOU DO NOT AGREE TO THIS CONDITION, YOU SHOULD NOT PURCHASE THE PRODUCT. IN NO EVENT SHALL MILWAUKEE BE LIABLE FOR ANY INCIDENTAL, SPECIAL, CONSEQUENTIAL, OR PUNITIVE DAMAGES, OR FOR ANY COSTS, ATTORNEY FEES, EXPENSES, LOSSES OR DELAYS ALLEGED TO BE AS A CONSEQUENCE OF ANY DAMAGE TO, FAILURE OF, OR DEFECT IN ANY PRODUCT INCLUDING, BUT NOT LIMITED TO, ANY CLAIMS FOR LOSS OF PROFITS. SOME STATES DO NOT ALLOW THE EXCLUSION OR LIMITATION OF INCIDENTAL OR CONSEQUENTIAL DAMAGES, SO THE ABOVE LIMITATION OR EXCLUSION MAY NOT APPLY TO YOU. THIS WARRANTY IS EXCLUSIVE AND IN LIEU OF ALL OTHER EXPRESS WARRANTIES, WRITTEN OR ORAL. TO THE EXTENT PERMITTED BY LAW, MILWAUKEE DISCLAIMS ANY IMPLIED WARRANTIES, INCLUDING WITHOUT LIMITATION ANY IMPLIED WARRANTY OF MERCHANTABILITY OR FITNESS FOR A PARTICULAR USE OR PURPOSE; TO THE EXTENT SUCH DISCLAIMER IS NOT PERMITTED BY LAW, SUCH IMPLIED WARRANTIES ARE LIMITED TO THE DURATION OF THE APPLICABLE EXPRESS WARRANTY AS DESCRIBED ABOVE. SOME STATES DO NOT ALLOW LIMITATIONS ON HOW LONG AN IMPLIED WARRANTY LASTS, SO THE ABOVE LIMITATION MAY NOT APPLY TO YOU. THIS WARRANTY GIVES YOU SPECIFIC LEGAL RIGHTS, AND YOU MAY ALSO HAVE OTHER RIGHTS WHICH VARY FROM STATE TO STATE.

This warranty applies to product sold in the U.S.A. and Canada only. Please consult the "Service Center Search" in the Parts & Service section of MILWAUKEE's website www.milwaukeeetool.com or call 1.800.SAWDUST (1.800.729.3878) to locate your nearest service facility for warranty and non-warranty service on a MILWAUKEE electric power tool.

RÈGLES DE SÉCURITÉ GÉNÉRALES RELATIVES AUX OUTILS ÉLECTRIQUES

⚠️ AVERTISSEMENT Lire toutes les consignes de sécurité, consignes, illustrations et spécifications fournies avec cet outil électrique. Ne pas suivre l'ensemble des règles et instructions peut entraîner une électrocution, un incendie ou des blessures graves. **Conserver les règles et les instructions à des fins de référence ultérieure.** Le terme «outil électrique» figurant dans les avertissements ci-dessous renvoie à l'outil électrique à alimentation par le réseau (à cordon) ou par batterie (sans fil).

SÉCURITÉ DU LIEU DE TRAVAIL

- **Veillez à ce que l'aire de travail soit propre et bien éclairée.** Le désordre et le manque de lumière favorisent les accidents.
- **Ne pas utiliser d'outils électriques dans des atmosphères explosives, par exemple en présence de liquides, gaz ou poussières inflammables.** Les outils électriques produisent des étincelles risquant d'enflammer les poussières ou vapeurs.
- **S'assurer que les enfants et les curieux se trouvent à une bonne distance au moment d'utiliser un outil électrique.** Les distractions peuvent causer une perte de contrôle.

SÉCURITÉ ÉLECTRIQUE

- **Les fiches des outils électriques doivent correspondre à la prise secteur utilisée. Ne jamais modifier la fiche, de quelque façon que ce soit. Ne jamais utiliser d'adaptateurs de fiche avec des outils mis à la terre.** Les fiches et prises non modifiées réduisent le risque de choc électrique.
- **Éviter tout contact avec des surfaces mises à la terre comme des tuyaux, des radiateurs, des cuisinières et des réfrigérateurs.** Le risque de choc électrique est accru lorsque le corps est mis à la terre.
- **Ne pas exposer les outils électriques à l'eau ou l'humidité.** La pénétration d'eau dans ces outils accroît le risque de choc électrique.
- **Ne pas maltraiter le cordon d'alimentation. Ne jamais utiliser le cordon d'alimentation pour transporter l'outil électrique et ne jamais débrancher ce dernier en tirant sur le cordon. Garder le cordon à l'écart de la chaleur, de l'huile, des objets tranchants et des pièces en mouvement.** Un cordon endommagé ou emmêlé accroît le risque de choc électrique.
- **Pour les travaux à l'extérieur, utiliser un cordon spécialement conçu à cet effet.** Utiliser un cordon conçu pour l'usage extérieur réduit les risques de choc électrique.
- **Si l'utilisation d'un outil électrique est inévitable dans un endroit humide, utiliser une source d'alimentation munie d'un disjoncteur de fuite de terre.** L'utilisation d'un disjoncteur de fuite de terre réduit le risque de choc électrique.

SÉCURITÉ INDIVIDUELLE

- **Rester attentif, prêter attention au travail et faire preuve de bon sens lors de l'utilisation de tout outil électrique. Ne pas utiliser cet appareil en cas de fatigue ou sous l'influence de l'alcool, de drogues ou de médicaments.** Un moment d'inattention pendant l'utilisation d'un outil électrique peut entraîner des blessures graves.
- **Porter l'équipement de protection individuel requis. Toujours porter une protection oculaire.**

Selon les conditions, porter aussi un masque anti-poussières, des bottes de sécurité antidérapantes, un casque protecteur ou une protection auditive afin de réduire les blessures.

- **Empêcher les démarrages accidentels. S'assurer que la gâchette est en position d'arrêt avant de brancher l'outil à une source de courant, d'insérer la batterie, de le ramasser ou de le transporter.** Le fait de transporter un outil électrique en gardant le doigt sur la gâchette ou de mettre sous tension un outil électrique lorsque la gâchette est en position de marche favorise les accidents.
- **Retirer les clés de réglage avant de mettre l'outil en marche.** Une clé laissée sur une pièce rotative de l'outil peut causer des blessures.
- **Ne pas travailler hors de portée. Toujours se tenir bien campé et en équilibre.** Une bonne stabilité procure un meilleur contrôle de l'outil électrique en cas d'imprévu.
- **Porter une tenue appropriée. Ne porter ni vêtements amples, ni bijoux. Garder les cheveux et les vêtements à l'écart des pièces en mouvement.** Les vêtements flottants, les bijoux ou les cheveux longs risquent d'être happés par les pièces en mouvement.
- **Si les outils sont équipés de dispositifs de dépoussiérage, s'assurer qu'ils sont connectés et correctement utilisés.** L'utilisation d'un collecteur de poussière permet de réduire les dangers liés à la poussière.
- **Ne pas laisser la familiarité avec l'outil acquise par une utilisation fréquente vous rendre suffisant et vous amener à ignorer les règles de sécurité.** Une utilisation négligée peut causer une blessure grave en une fraction de seconde.

UTILISATION ET ENTRETIEN DE L'OUTIL ÉLECTRIQUE

- **Ne pas forcer l'outil électrique. Utiliser l'outil électrique approprié pour l'application.** Un outil électrique approprié exécutera le travail mieux et de façon moins dangereuse s'il est utilisé dans les limites prévues.
- **Ne pas utiliser l'outil électrique si le commutateur ne permet pas de le mettre en marche ou de l'arrêter.** Tout outil électrique qui ne peut pas être contrôlé par son commutateur est dangereux et doit être réparé.
- **Débrancher l'outil et/ou retirer le bloc-piles, si possible, avant d'effectuer des réglages, de changer d'accessoire ou de remiser l'outil.** Ces mesures de sécurité préventives réduisent les risques de démarrage accidentel de l'outil.
- **Entreposer l'outil électrique hors de la portée des enfants et interdire à quiconque de l'utiliser si la personne ne connaît pas bien le produit ou les instructions.** Les outils électriques sont dangereux dans les mains d'utilisateurs novices.
- **Entretien des outils électriques et les accessoires. Vérifier qu'aucune pièce mobile n'est mal alignée ou bloquée, qu'aucune pièce n'est brisée et s'assurer qu'aucun autre problème risque d'affecter le bon fonctionnement de l'outil. En cas de dommages, faire réparer l'outil avant de l'utiliser.** Plusieurs accidents sont causés par des produits mal entretenus.
- **Garder les outils bien affûtés et propres.** Des outils correctement entretenus et dont les tranchants sont bien affûtés risquent moins de se bloquer et sont plus faciles à contrôler.
- **Utiliser l'outil électrique, les accessoires, les embouts etc. conformément à ces instructions en tenant compte des conditions de travail et de**

la tâche à effectuer. L'usage d'un outil électrique pour des applications pour lesquelles il n'est pas conçu peut être dangereux.

- **Garder les poignées et les surfaces de préhension sèches, propres et exemptes d'huile ou de graisse.** Des poignées et des surfaces de préhension glissantes ne permettent pas de manipuler et de contrôler l'outil en toute sécurité en cas de situation imprévue.

UTILISATION ET ENTRETIEN DE LA BATTERIE

- **Pour recharger le bloc-piles, utiliser seulement le chargeur spécifié par le fabricant.** Un chargeur pouvant convenir à un type de bloc-piles peut entraîner un risque d'incendie lorsqu'il est utilisé avec un autre type de bloc-piles.
- **N'utiliser l'outil électrique qu'avec une batterie recommandée.** L'utilisation de tout autre bloc-piles peut créer un risque de blessures et d'incendie.
- **Lorsque le bloc-piles n'est pas utilisé, le tenir éloigné des objets en métal tels que les trombones, les pièces de monnaie, les clés, les clous, les vis ou d'autres petits objets métalliques qui pourraient connecter les bornes.** Le court-circuitage des bornes d'une pile peut entraîner des brûlures ou un incendie.
- **Éviter tout contact avec le liquide pouvant être éjecté de la pile en cas de manutention abusive.** En cas de contact accidentel, rincer immédiatement les parties atteintes avec de l'eau. Si le liquide entre en contact avec les yeux, consulter un médecin. Le liquide éjecté des piles peut causer des irritations ou des brûlures.
- **N'utiliser aucun bloc-piles ni aucun outil ayant été endommagé ou modifié.** Des piles endommagées ou modifiées peuvent adopter un comportement imprévisible pouvant causer un incendie, une explosion ou le risque de blessures.
- **Ne pas exposer le bloc-piles ou l'outil aux flammes ou à une température excessive.** Une exposition aux flammes ou à une température supérieure à 130°C (265°F) peut causer une explosion.
- **Suivre toutes les instructions de charge et ne pas charger le bloc-piles ou l'outil en dehors de la plage de température spécifiée.** Une charge incorrecte ou à des températures en dehors de la plage spécifiée peut endommager la pile et augmenter le risque d'incendie.

ENTRETIEN

- **Les réparations de l'outil électrique doivent être confiées à un technicien qualifié, utilisant exclusivement des pièces identiques à celles d'origine.** Le maintien de la sûreté de l'outil électrique sera ainsi assuré.
- **Ne jamais effectuer la réparation d'un bloc-piles endommagé.** La réparation du bloc-piles doit être réalisée par le fabricant ou les fournisseurs de service agréés uniquement.

RÈGLES DE SÉCURITÉ SPÉCIFIQUES POUR DEBROUSSAILLEUSES

Avertissements généraux à propos de la débroussailleuse :

- **Ne pas utiliser la machine par mauvais temps, particulièrement s'il y a un risque des éclairs.** Ceci minimisera les probabilités d'être touché par la foudre.
- **Examiner soigneusement l'espace où la machine sera utilisée à la recherche des animaux.** La machine en action pourra blesser les animaux.

- **Examiner soigneusement l'espace où la machine sera utilisée et constater qu'elle est totalement dépourvue des pierres, des bâtons, des câbles, des os et tout autre objet étranger.** Les objets projetés peuvent infliger des blessures physiques.
- **Avant d'utiliser la machine, toujours faire une inspection visuelle pour constater que la coupeuse, la lame et leur assemblage ne sont pas endommagés.** Les pièces touchées accroissent le risque de blessures.
- **Suivre les instructions de changement d'accessoires.** Une lame dont les boulons ou les écrous sont mal serrés pourra soit endommager la lame, soit se détacher.
- **La vitesse nominale de rotation de la lame devra au moins être égale à la vitesse maximale de rotation indiquée sur la machine.** Les lames qui sont utilisées à une vitesse plus haute que leur vitesse nominale de rotation pourront se casser et se détacher.
- **Porter une pièce d'équipement de protection pour les yeux, les oreilles, la tête et les mains.** Le port d'un équipement de protection adéquat minimisera le risque de blessures physiques à cause des débris volants ou d'un contact accidentel avec la lame ou la ligne de coupe.
- **Lors de l'utilisation de la machine, toujours porter des chaussures de sécurité. Ne pas utiliser la machine si vous êtes pieds nus ou si vous portez des sandales.** Ceci réduira les probabilités de subir des blessures aux pieds à cause d'un contact avec la coupeuse, la ligne ou la lame en mouvement.
- **Lors de l'utilisation de la machine, toujours porter un pantalon long.** La peau nue est plus susceptible à être touchée par des objets volants.
- **Ne laisser personne s'approche lors de l'utilisation de la machine.** Les débris volants pourront causer des blessures physiques graves.
- **Toujours travailler à ses deux mains lors de l'utilisation de la machine.** Tenir la machine des deux mains évitera qu'une perte de contrôle ne survienne.
- **Tenir l'outil uniquement par les surfaces de prise isolées, puisque la lame ou la ligne de coupe pourront entrer en contact avec des fils électriques cachés.** Le contact entre la ligne de coupe ou les lames et un fils sous tension pourra « électricifier » les pièces métalliques exposées dans la machine, ce qui pourra électrocuter l'utilisateur.
- **Toujours se tenir bien campé et utiliser uniquement la machine lorsque vous êtes sur terre.** Les surfaces glissantes et instables pourront causer une perte d'équilibre ou de contrôle de la machine.
- **Ne pas utiliser la machine sur des pentes très raides.** Ceci réduira le risque de perte de contrôle, des glissements et des chutes, ce qui résulte en des blessures physiques.
- **Lorsque des travaux sont faits sur des pentes, toujours se tenir bien campé et travailler sur les pentes de façon transversale, pas en allant en haut ou en bas, et faire preuve d'une très grande prudence lors d'un changement de direction.** Ceci réduira le risque de perte de contrôle, des glissements et des chutes, ce qui résulte en des blessures physiques.
- **Garder toutes les parties du corps à l'écart de la coupeuse, de la ligne de coupe et de la lame lorsque la machine tourne.** Avant de lancer le moteur, s'assurer que la coupeuse, la ligne de coupe et la lame ne sont en contact avec aucun

objet. Un moment d'inattention pendant l'utilisation de la machine peut entraîner des blessures graves à soi-même ou aux autres.

• **Ne pas utiliser la machine d'une position qui dépasse la hauteur de la taille.** Ceci vous aidera à éviter le contact non intentionnel de la coupeuse et de la lame et vous permet de mieux contrôler la machine dans des situations imprévues.

• **Lors de la coupe d'un balai ou des jeunes arbres qui sont tendus, il faut rester vigilant d'une réaction de rebond.** Lors de la libération de tension des fibres de bois, le balai ou le jeune arbre pourra frapper l'utilisateur et/ou causer une perte de contrôle de la machine.

• **Prendre toutes les précautions nécessaires lors de la coupe des buissons et des branchettes.** Les matériaux fins pourront se prendre dans la lame et fouetter l'utilisateur ou lui faire perdre l'équilibre.

• **Maintenir le contrôle de la machine et ne pas toucher les coupeuses, les lignes de coupes, les lames et d'autres pièces mobiles dangereuses lorsqu'elles sont toujours en mouvement.** Ceci réduire le risque de blessures causées par les pièces mobiles.

• **Transporter la machine en tenant le commutateur en position d'arrêt et loin de votre corps.** Le maniement approprié de la machine réduira la probabilité d'un contact accidentel avec la coupeuse, la ligne de coupe ou la lame en mouvement.

• **Lors du transport ou de l'entreposage de la machine, toujours mettre la garde sur les lames à métaux.** Le maniement approprié de la machine réduira la probabilité d'un contact accidentel avec la lame.

• **Utiliser uniquement des coupeuses, des lignes de coupe, des têtes de coupe et des lames de rechange spécifiées par le fabricant.** Des pièces de rechange incorrectes pourront accroître le risque de cassage et de blessure.

Causes du ricochet de la lame et avertissements associés :

• Le ricochet de la lame est un mouvement latéral ou longitudinal brusque de la machine, pouvant se produire si la lame se coince ou heurte un objet tel qu'un arbuste ou une souche. Il peut être assez violent pour pousser la machine et/ou l'opérateur dans une direction quelconque et faire perdre le contrôle de la machine.

• Il est possible d'éviter le ricochet de la lame et ses dangers associés en prenant les précautions adéquates ci-dessous.

• **Maintenir une prise ferme avec les deux mains dans la machine et mettre vos bras de façon telle de résister le ricochet de la lame.** Mettre le corps à gauche de la machine. Le ricochet de la lame pourra accroître le risque de blessure à cause d'un mouvement imprévu de la machine. S'il prend les précautions nécessaires, l'opérateur pourra contrôler le ricochet de la lame.

• **Si la lame se bloque ou si une coupe est interrompue pour une raison quelconque, éteindre la machine et la tenir immobile dans le matériau jusqu'à ce que la lame parvienne à s'arrêter complètement.** Lorsque la lame se bloque, ne jamais tenter d'enlever la machine du matériau ou de tirer sur la machine en arrière lorsque la lame est en mouvement. Sinon, il est possible que le ricochet de la lame se passe. Déterminer et éliminer la cause du blocage de la lame.

• **Ne pas utiliser de lames émoussées ou endommagées.** Des lames émoussées ou endommagées accroîtront le risque de blocage ou de prise d'un objet, ce qui résultera en un ricochet de la lame.

• **Toujours avoir une bonne visibilité du matériau à couper.** Le ricochet de la lame est plus susceptible de se produire dans les endroits où il est difficile à bien voir le matériau à couper.

• **Si une autre personne s'approche de vous lorsque vous utilisez la machine, éteindre la machine.** Ceci pose un risque accru de blessures de la part des autres personnes ayant été frappées par la lame en mouvement en cas de ricochet de la lame.

D'autres règles de sécurité concernant la débroussaillage :

• **Veillez lire ce manuel, ainsi que tous les manuels et les étiquettes de cet outil et son bloc moteur, avant de les utiliser.** Ne pas suivre les avertissements et les instructions pourra entraîner des blessures graves. Utiliser exclusivement l'outil selon les instructions de ce manuel. Utiliser uniquement les accessoires recommandés par MILWAUKEE.

• **Lors de l'enlèvement du matériau bloqué ou de l'entretien de la machine, veuillez s'assurer que le commutateur est éteint et que le bloc-piles est débranché.** L'activation imprévue de la machine lors de l'enlèvement du matériau bloqué ou de l'entretien pourra résulter en des blessures physiques graves.

• **AVERTISSEMENT** Ne pas opérer autour de lignes électriques. L'unité n'a pas été conçue pour doter de la protection contre les chocs électriques au cas de contact avec les lignes électriques. Veuillez consulter les réglementations à propos des distances sécuritaires par rapport à des lignes électriques ; veuillez s'assurer que la position d'opération soit en toute sécurité et sûreté avant son utilisation.

• **Ne pas utiliser une extension avec cet accessoire d'outil.** La longueur supplémentaire fera qu'il soit difficile de contrôler l'accessoire et provoquera des blessures.

• **Utiliser la bandoulière pour réduire la fatigue de la part de l'utilisateur et contribue à maintenir le contrôle de l'outil durant l'utilisation.**

• **Ne pas porter plusieurs bandoulières en même temps.** Lorsque vous portez une bandoulière, constater qu'aucun autre élément portable ne risque d'empêcher la libération et l'enlèvement de la bandoulière.

• **Ne pas utiliser cet outil auprès d'éléments qui brûlent ou qui fument** comme des cigarettes, des allumettes ou des cendres chaudes.

• **Afin de minimiser les risques pour la santé provoqués par les vapeurs ou la poussière, ne pas utiliser cet outil auprès de matériaux toxiques, cancérigènes ou dangereux pour l'outil,** tels que l'amiante, l'arsénique, le baryum, le plomb, les pesticides et d'autres matériaux nuisibles à la santé.

• **Prendre du soin lorsque vous utilisez l'outil auprès de plantes décoratives** ainsi que d'autres obstacles. Les accessoires couperont / endommageront beaucoup de matériaux.

• **Ne pas utiliser l'outil sans avoir d'abord mis la garde en place.** Il faut bien mettre la garde en place durant l'utilisation. L'utilisation de l'outil sans garde causera des blessures graves.

• **Ne pas utiliser l'outil si la tête de coupe est endommagée.** Des pièces fissurées ou cassées pourront être projetées.

• **Ne pas utiliser l'outil sans la poignée avant et la ceinture de contention.** Il faut bien mettre la poignée avant en place durant l'utilisation. Utiliser

l'outil à ses deux mains, selon les instructions de l'accessoire. Maintenir une prise ferme. La perte de contrôle pourra survenir à cause d'une utilisation à une main, ce qui causera aussi des blessures graves.

- **Ne pas utiliser cet outil en tant que coupe-bordures. Ne pas incliner l'outil pour obtenir un angle droit par rapport au sol. Garder la tête de la débroussailluse en parallèle par rapport au sol.** La garde n'offre aucune protection contre les débris projetés vers elle.
- **Toujours tenir le visage, les mains et les pieds loin des pièces en mouvement.** Les pièces en mouvement peuvent provoquer des lacérations graves.
- **Se tenir fortement lorsqu'un mouvement imprévu se produit à l'occasion du contact avec un objet dur.** La perte de contrôle peut entraîner des blessures graves.
- **Les objets lancés pourront être projetés et rebondir sur des surfaces durs, tels que les murs, les arbres et les pierres, en provoquant des lésions.** Faire l'élagage à main dans des espaces clos.
- **Emporter l'outil par la poignée avant afin d'éviter les démarrages accidentels.** La manipulation adéquate de l'outil évitera les lésions.
- **Toujours éteindre l'outil lors de sa transportation d'un espace à un autre.** Ne pas amener l'outil avec le doigt mis sur la gâchette. Le démarrage accidentel peut causer des blessures graves.
- **Ne pas l'immerger dans l'eau ni vaporiser avec un tuyau. Ne pas nettoyer à l'eau sous pression.** La pénétration d'eau dans ces outils accroît le risque de choc électrique. Entreposer l'outil à l'intérieur.
- **Ne pas entreposer l'outil électrique auprès ni sur de substances chimiques ni de fertilisants.**
- **Toujours éteindre l'outil et après, retirer le bloc-piles avant de changer ou enlever les accessoires.**
- **Toujours faire preuve de bons sens et procéder avec prudence lors de l'utilisation d'outils.** C'est impossible de prévoir toutes les situations dont le résultat est dangereux. Ne pas utiliser cet outil si vous ne comprenez pas ces instructions d'opération ou si vous pensez que le travail dépasse votre capacité ; veuillez contacter Milwaukee Tool ou un professionnel formé pour recevoir plus d'information ou formation.

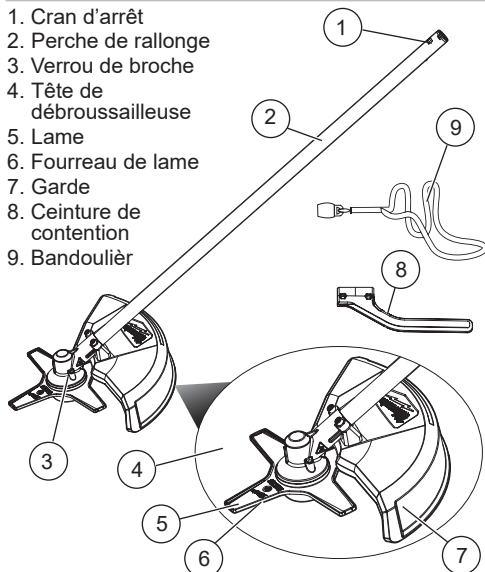
- **Maintenir en l'état les étiquettes et les plaques d'identification.** Des informations importantes y figurent. Si elles sont illisibles ou manquantes, contacter un centre de services et d'entretien MILWAUKEE pour un remplacement gratuit.

⚠ AVERTISSEMENT Certaines poussières générées par les activités de ponçage, de coupe, de rectification, de perçage et d'autres activités de construction contiennent des substances considérées être la cause de malformations congénitales et de troubles de l'appareil reproducteur. Parmi ces substances figurent :

- le plomb contenu dans les peintures à base de plomb ;
 - la silice cristalline des briques, du ciment et d'autres matériaux de maçonnerie, ainsi que
 - l'arsenic et le chrome des sciages traités chimiquement.
- Les risques encourus par l'opérateur envers ces expositions varient en fonction de la fréquence de ce type de travail. Pour réduire l'exposition à ces substances chimiques, l'opérateur doit : travailler dans une zone bien ventilée et porter l'équipement de sécurité approprié, tel qu'un masque anti-poussière spécialement conçu pour filtrer les particules microscopiques.

LIRE ET CONSERVER TOUTES LES INSTRUCTIONS POUR UTILISATION ULTÉRIEURE

DESCRIPTION FONCTIONNELLE



REMARQUE : Il faut installer la bandoulière et la ceinture de contention dans le 2825-20 système d'accessoires M18 FUEL™ avec bloc-moteur QUIK-LOK™.

SPÉCIFICATIONS

No de Cat.....	49-16-2738
Bloc-moteur	2825-20
RPM.....	Bas 0 - 4 900 Haute 0 - 6 200
Diamètre de la lame de coupe.....	230 mm (9")
No de Cat. de la lame.....	49-16-2757
No de Cat. de la clé hexagonale T30 ...	45-96-0030
No de Cat. de l'outil d'enlèvement de tête (5 mm).....	44-60-0144

PICTOGRAPHIE



Volts



Courant direct

n, XXXX min⁻¹ Tours-minute à vide (RPM)



Symbole d'alerte de sécurité



Lire le manuel d'utilisation.



Portez des protections pour les yeux, les oreilles et la tête.



Porter des chaussures antidérapantes.



Porter des gants de protection.



Tenir les mains et les pieds à l'écart de la lame.



Se méfier des ricochets de lame.



Attention aux objets projetés.



La distance entre la machine et les badauds devra être d'au moins 15 m (50').



Ne pas utiliser jumelé à une lame de scie ou de coupe-bordures.



La surface est chaude. Éviter tout contact.



UL Listing Mark pour Canada et États-unis

MONTAGE DE L'OUTIL

⚠ AVERTISSEMENT Avant d'utiliser le bloc-moteur, veiller à lire son manuel et ses étiquettes. D'importantes instructions d'assemblage et d'utilisation figurent dans le manuel du bloc-moteur. Relier l'accessoire au bloc-moteur d'après le manuel du bloc-moteur.

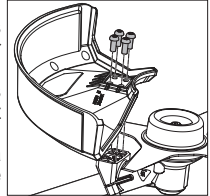
Ne pas utiliser l'outil sans la garde et la ceinture de contention. Il faut bien attacher la garde et la ceinture de contention durant l'utilisation. L'utilisation de l'outil sans garde et ceinture causera des blessures graves.

Toujours retirer le bloc-piles avant de changer ou d'enlever les accessoires.

Installation de la garde

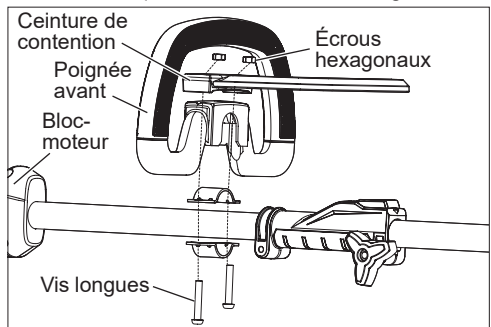
La garde est livrée sans l'avoir mise en place et doit être mise avant tout utilisation.

1. Aligner le support avec les trous qui se trouvent sur la garde.
2. Insérer quatre vis dans le support, en les faisant passer à travers de la garde.
3. Visser les vis fermement à l'aide de la clé hexagonale fournie.



Installation de la ceinture de contention

La ceinture de contention est livrée sans l'avoir mise en place et doit être mise avant toute utilisation. Il faut bien attacher la ceinture de contention à gauche du bloc-moteur QUIK-LOK™ pour que la débroussailleuse soit utilisée à droite. Ceci contribuera à éviter le rebond, ce qui causera des blessures graves.



1. Enlever les deux vis par-dessous la poignée avant du bloc-moteur QUIK-LOK™.
2. Enlever les écrous hexagonaux de la poignée avant du bloc-moteur QUIK-LOK™.
3. Aligner la ceinture de contention au-dessus de la poignée avant. Il faut orienter la ceinture de contention vers la gauche de l'outil.

REMARQUE : La poignée et la barrière de hanche doivent être installées sur le poteau électrique, juste après l'autocollant « Place Handle Here ».

4. Aligner les écrous hexagonaux au-dessus de la ceinture de contention.
5. Insérer les deux vis longues fournies avec la ceinture de contention et leur faisant passer par dessous la poignée avant, ceci pour connecter en place la poignée avant, la ceinture de contention et les écrous hexagonaux tous ensemble. Serrer fermement les vis.

⚠ AVERTISSEMENT Ne pas utiliser jumelé à une lame de scie ou de coupe-bordures.

Ne pas utiliser l'outil si la tête de coupe est endommagée. Des pièces fissurées ou cassées pourront être projetées.

⚠ ATTENTION Lors de l'utilisation d'une lame de coupe, toujours porter des gants et mettre la garde sur la lame.

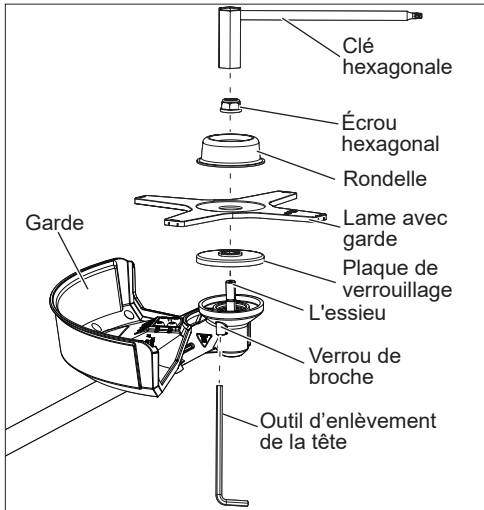
Installation / retrait de la garde de la lame

Pour installer la garde de la lame, l'enclencher sur le bas de la lame. Veuillez constater que la garde couvre bien les deux côtés de la lame.

Pour enlever la garde de la lame, tirer sur elle pour la séparer de la lame.

Installation / retrait de la lame

La lame est livrée sans l'avoir mise en place et doit être mise avant tout usage.



Pour **installer** la lame :

1. Retirer le bloc-piles.
2. Insérer l'outil d'enlèvement de la tête dans le verrou de broche et le maintenir en place.
3. Attacher la lame sur l'essieu pour que le guide de la plaque de verrouillage corresponde à l'orifice de l'essieu dans la lame.
4. Mettre la rondelle sur l'essieu, au-dessus de la lame.
5. Mettre l'écrou hexagonal sur la rondelle et fermer l'écrou hexagonal à une coupe de serrage de 13-23 N.m.
6. Enlever la clé hexagonale et l'outil d'enlèvement de la tête.

Pour **retirer** la lame :

1. Retirer le bloc-piles.
2. Renverser la débroussailluse.
3. Insérer l'outil d'enlèvement de la tête dans le verrou de broche et le maintenir en place.
4. Insérer la clé hexagonale sur l'écrou hexagonal. Tourner à droite jusqu'à ce que l'écrou hexagonal relâche. Retirer l'écrou hexagonal.
5. Retirer l'écrou hexagonal, la rondelle et la lame.

Sélection de la vitesse

Utiliser le bouton de contrôle de vitesse pour sélectionner les vitesses Bajas o Altas. Use velocidad baja para trabajos más grandes donde se necesita la vida extendida de la batería. Use la velocidad alta para aplicaciones de vegetación densa.



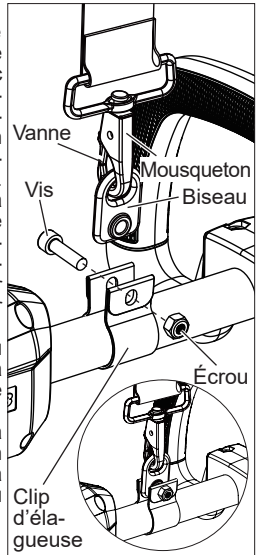
⚠ AVERTISSEMENT Ne pas porter plusieurs bandoulières en même temps. Lorsque vous portez une bandoulière, constater qu'aucun autre élément portable ne risque d'empêcher la libération et l'enlèvement de la bandoulière.

Installation de la bandoulière

Utiliser la bandoulière pour réduire la fatigue de la part de l'utilisateur et contribue à maintenir le contrôle de l'outil durant l'utilisation.

Pour **installer** la bandoulière :

1. Retirer le bloc-piles.
2. Convenir le clip de l'élagueuse autour de l'élagueuse du bloc moteur entre la poignée latérale et la poignée arrière dans un emplacement confortable durant l'utilisation.
3. Insérer le boulon à travers du clip de l'élagueuse et le biseau de la bandoulière. Visser l'écrou sur le boulon et le serrer fermement.
4. Attacher le clip du mousqueton de la bandoulière dans le biseau.
5. Ajuster le clip de la perche au besoin pour s'assurer que la lame se rend à niveau d'opération.



Pour **porter** la bandoulière :

1. Faire passer le bras droit et la tête en dessous de la bandoulière.
2. Ajuster les clips de la bandoulière pour changer sa longueur à une position convenable et confortable.
3. Glisser la nuquière vers la position appropriée.

Pour **détacher** la bandoulière :

1. Tenir l'outil par la poignée avant avec votre main gauche.
2. Tenir le mousqueton avec la main droite et détacher le clip en appuyant sur la vanne et en le glissant dehors du biseau.

MANIEMENT

AVERTISSEMENT Afin de minimiser le risque de blessures, toujours porter la protection oculaire appropriée certifiée conforme à la norme ANSI Z87.1.

Toujours retirer le bloc-piles avant de changer ou enlever les accessoires.

Ne pas opérer l'outil sans avoir premièrement installée la poignée avant. Il faut bien installer la poignée avant pour l'utilisation. L'utilisation à une main pourra causer la perte de contrôle et des lésions graves pourront survenir.

Ne pas utiliser l'outil sans la garde et la ceinture de contention. Il faut bien attacher la garde et la ceinture de contention durant l'utilisation. L'utilisation de l'outil sans garde et ceinture de contention causera des blessures graves.

Utiliser la bandoulière durant l'utilisation. Tenir fermement la débroussaileuse à droite.

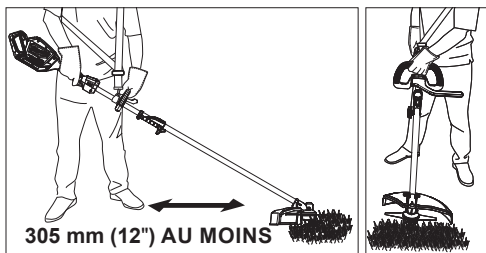
Utiliser les deux mains lors de l'opération de l'outil. Maintenir une prise ferme. L'utilisation à une main pourra causer la perte de contrôle et des lésions graves pourront survenir.

Inspecter la surface avant de l'utiliser. Retirer tous les débris et les objets durs tels que les pierres, le verre, le câblage, etc. qui pourraient être lancés, projetés ou bien causer des lésions ou dommages durant l'opération.

Rogneuse

1. Retirer la garde de lame avant l'utilisation. Examiner la lame pour constater qu'elle est intacte. Si endommagée, ne pas utiliser et la remplacer.
2. Tenir la poignée à gâchette à la main droite et la poignée avant à la main gauche afin de bien vous aligner derrière la garde et loin du sens de coupe.
3. Pour **démarrer** l'outil, tirer sur le levier de verrouillage et appuyer sur la gâchette.
4. Pour **changer** la vitesse, augmenter ou réduire la pression exercée sur la gâchette. Plus la gâchette est enfoncée, plus la vitesse est grande, jusqu'à la vitesse maximale réglée sur le bouton de commande de vitesse.
5. Laisser l'outil se remettre en un angle descendant, en tenant à moins une distance de 305 mm (12") entre la tête de coupe et votre corps. Tenir l'outil juste au-dessus du sol et balancer la tête d'un côté à l'autre.

AVERTISSEMENT ! Ne pas utiliser l'outil comme coupe-bordures. Ne pas incliner l'outil pour créer un angle droit par rapport du sol. Garder la tête de la débroussaileuse en parallèle par rapport au sol. Le carter nze pourra pas protéger contre les débris volants dans cette direction.



REMARQUE : La débroussaileuse fera une coupe meilleure lorsqu'elle est déplacée partout sur la terre au sens contraire de la flèche qui figure sur le fourreau.

6. En cas de blocage, éteignez l'outil et retirez la batterie avant de nettoyer les débris.
7. Pour **arrêter** l'outil, relâcher la gâchette. S'assurer que l'outil est complètement arrêté avant de le déposer.

Matériaux à couper

• De l'herbe épaisse, des broussailles, des mauvaises herbes, des arbres et des jeunes arbres d'un petit diamètre

Conseils de coupe

- Faites plusieurs passes en croissance longue pour éviter les blocages.
- Éviter les arbres ornementaux, les arbustes et les plantes. Éviter tout contact avec les bardages, les piquets de clôture, etc. Tous ces éléments pourront bien endommager l'outil.
- Après avoir frappé un objet dur ou s'il a une vibration excessive, examiner l'outil pour constater s'il a été endommagé.

ENTRETIEN

AVERTISSEMENT Pour minimiser les risques de blessures corporelles, débranchez le chargeur et retirez la batterie du chargeur ou de l'outil avant d'y effectuer des travaux d'entretien. Ne démontez jamais l'outil, la batterie ou le chargeur. Pour toute réparation, consultez un centre de service MILWAUKEE accrédité.

Entretien de l'outil

Gardez l'outil en bon état en adoptant un programme d'entretien ponctuel. Inspectez votre outil pour des questions telles que le bruit excessif, de grippage des pièces mobiles, de pièces cassées ou toute autre condition qui peut affecter le fonctionnement de l'outil. Retournez votre outil à un centre de service MILWAUKEE accrédité pour obtenir le service. Après une période pouvant aller de 6 mois à un an, selon l'usage, retournez votre outil à un centre de service MILWAUKEE accrédité pour d'inspection.

Si l'outil ne démarre pas ou ne fonctionne pas à pleine puissance alors qu'il est branché sur une batterie complètement chargée, nettoyez les points de contact entre la batterie et l'outil. Si l'outil ne fonctionne toujours pas correctement, renvoyez l'outil, le chargeur et la batterie à un centre de service MILWAUKEE accrédité.

AVERTISSEMENT Ne pas utiliser de lames émoussées ou endommagées. Des lames émoussées ou endommagées accroîtront le risque de blocage ou de prise d'un objet, ce qui résultera en un ricochet de la lame.

Remplacement de la lame

Il faut examiner la lame avant chaque utilisation. Si la lame s'écaille ou est émoussée, il faudra la remplacer. Veuillez vous reporter à la section « Installation / retrait de la lame » dans ce manuel pour en savoir plus sur les instructions concernant l'installation et le retrait de la lame.

AVERTISSEMENT Pour minimiser les risques de blessures ou de dommages à l'outil, n'immergez jamais l'outil, la batterie ou le chargeur et ne laissez pas de liquide s'y infiltrer.

Nettoyage

Débarassez les tous événements des débris et de la poussière. Gardez les outil propres, à sec et exempts d'huile ou de graisse. Le nettoyage doit se faire avec un linge humide et un savon doux. Certains nettoyants tels l'essence, la térébenthine, les diluants à laque ou à peinture, les solvants chlorés, l'ammoniaque et les détergents d'usage domestique qui en contiennent pourraient détériorer le plastique et l'isolation des pièces. Ne laissez jamais de solvants inflammables ou combustibles auprès des outils.

Réparations

Pour les réparations, retournez outil, batterie et chargeur en entier au centre-service autorisé le plus près.

ACCESOIRES

AVERTISSEMENT L'utilisation d'autres accessoires que ceux qui sont spécifiquement recommandés pour cet outil peut comporter des risques.

Pour une liste complète des accessoires, visiter le site internet www.milwaukeetool.com ou contactez un distributeur.

SERVICE - CANADA

Milwaukee Tool (Canada) Ltd
1.877.948.2360

Monday-Friday, 7:00 AM - 4:30 PM CST
www.milwaukeetool.ca

GARANTIE LIMITÉE - AUX ÉTATS-UNIS ET AU CANADA

Tout produit d'équipement électrique pour extérieur de MILWAUKEE™ (voir les exceptions ci-dessous) est garanti à l'acheteur d'origine par un distributeur agréé MILWAUKEE d'être exempt uniquement de vice de matériau et de fabrication. Sous réserve de certaines exceptions, MILWAUKEE réparera ou remplacera toute pièce d'un produit d'équipement électrique pour extérieur qui, après examen, sera confirmée par MILWAUKEE d'être affectée d'un vice de matériau ou de fabrication pour une période de trois (3) ans** après la date d'achat, sauf indication contraire. Retourner l'équipement électrique pour extérieur à un centre de service en usine MILWAUKEE ou un poste d'entretien agréé MILWAUKEE, en port prépayé et assuré. Une copie de la preuve d'achat doit être présentée lors du retour du produit. Cette garantie ne couvre pas les dommages que MILWAUKEE détermine d'être causés par des réparations ou des tentatives de réparation par quiconque d'autre que le personnel agréé par MILWAUKEE, des utilisations incorrectes, des altérations, des utilisations abusives, une usure normale, une carence d'entretien ou des accidents.

Usure normale : Plusieurs produits électriques d'utilisation à l'extérieur doivent être soumis à la substitution périodique des leurs pièces ainsi que de l'entretien afin d'achever leur performance maximale. Cette garantie ne considère pas les réparations lorsque l'utilisation régulière a épuisé la vie d'une pièce, y compris, mais sans s'y limiter, les lames pour tondeuse, la tête de coupe, les lignes de coupe, les lames, les chaînes, les tubes de soufflante, les brosses, les joints toriques et les seaux.

* Cette garantie ne considère ni les blocs-piles portatifs ni les produits reconditionnés. Il y a d'autres garanties différentes disponibles pour ces produits.

** La période de la garantie pour les assemblages de réservoir SWITCH TANK™, les tuyaux, les poignées et les lances est d'un (1) an à partir de la date d'achat.

MILWAUKEE n'assume aucuns frais de transport ou de fabrication concernant l'inspection et la vérification des produits électriques d'utilisation à l'extérieur qui, de l'avis de MILWAUKEE, ne donnent pas droit à une réclamation au titre de la garantie. Pour être admissible, une réclamation au titre de la garantie doit être justifiée par un vice de matériau ou de fabrication découvert par MILWAUKEE.

L'ACCEPTATION DES RECOURS EXCLUSIFS DE RÉPARATION ET DE REMPLACEMENT DÉCRITS PAR LA PRÉSENTE EST UNE CONDITION DU CONTRAT D'ACHAT DE TOUT PRODUIT MILWAUKEE, SI VOUS N'ACCEPTÉZ PAS CETTE CONDITION, VOUS NE DEVEZ PAS ACHETER LE PRODUIT. EN AUCUN CAS MILWAUKEE NE SAURAIT ÊTRE RESPONSABLE DE TOUT DOMMAGE ACCESSOIRE, SPÉCIAL OU INDIRECT, DE DOMMAGES-INTÉRÊTS PUNITIFS OU DE TOUTE DÉPENSE, D'HONORAIRES D'AVOCATS, DE FRAIS, DE PERTE OU DE DÉLAIS ACCESSOIRES À TOUT DOMMAGE, DÉFAILLANCE OU DÉFAUT DE TOUT PRODUIT, Y COMPRIS NOTAMMENT LES PERTES DE PROFIT. CERTAINS ÉTATS ET PROVINCES NE PERMETTANT L'EXCLUSION OU LA LIMITATION DES DOMMAGES DIRECTS OU INDIRECTS, LES RESTRICTIONS CI-DESSOUS PEUVENT NE PAS ÊTRE APPLICABLES. CETTE GARANTIE EST EXCLUSIVE ET REMPLACE TOUTE AUTRE GARANTIE EXPRESSE, QU'ELLE SOIT VERBALE OU ÉCRITE, DANS LA MESURE PERMISE PAR LA LOI, MILWAUKEE RENONCE À TOUTE GARANTIE IMPLICITE, Y COMPRIS, SANS S'Y LIMITER, TOUTE GARANTIE IMPLICITE DE COMMERCIALISABILITÉ OU D'ADAPTATION À UNE UTILISATION OU À UNE FIN PARTICULIÈRE, DANS LA MESURE OU UNE TELLE STIPULATION D'EXONÉRATION N'EST PAS PERMISE PAR LA LOI, LA DURÉE DE CES GARANTIES IMPLICITES EST LIMITÉE À LA PÉRIODE APPLICABLE DE LA GARANTIE EXPRESSE, TELLE QUE CELA EST DÉCRIT PRÉCÉDEMMENT. CERTAINES PROVINCES NE PERMETTANT PAS DE LIMITATION DE DURÉE DES GARANTIES IMPLICITES, LES RESTRICTIONS CI-DESSOUS PEUVENT NE PAS ÊTRE APPLICABLES. LA PRÉSENTE CONFÈRE À L'UTILISATEUR DES DROITS LÉGAUX PARTICULIERS; IL BÉNÉFICIE ÉGALEMENT D'AUTRES DROITS QUI VARIENT D'UNE PROVINCE À L'AUTRE. Cette garantie s'applique uniquement aux produits vendus aux États-Unis et au Canada.

Veuillez consulter l'onglet « Trouver un centre de service », dans la section « Pièces et service » du site web de MILWAUKEE, à l'adresse www.milwaukeetool.com, ou composer le 1.800.SAWDUST (1.800.729.3878) afin de trouver le centre de service le plus proche pour l'entretien, sous garantie ou non, de votre outil électrique MILWAUKEE.

ADVERTENCIAS DE SEGURIDAD GENERALES PARA LA HERRAMIENTA ELÉCTRICA

⚠️ ADVERTENCIA Lea todas las advertencias de seguridad, instrucciones, ilustraciones y especificaciones con esta herramienta eléctrica. Si no sigue todas las advertencias e instrucciones, se pueden provocar una descarga eléctrica, un incendio o lesiones graves. **Guarde todas las advertencias e instrucciones para consultarlas en el futuro.** El término "herramienta eléctrica" en todas las advertencias incluidas más abajo se refiere a su herramienta operada por conexión (cable) a la red eléctrica o por medio de una batería (inalámbrica).

SEGURIDAD EN EL ÁREA DE TRABAJO

- **Mantenga el área de trabajo limpia y bien iluminada.** Las áreas desordenadas u oscuras son propicias para los accidentes.
- **No utilice herramientas eléctricas en atmósferas explosivas, tales como en presencia de líquidos, gases o polvos inflamables.** Las herramientas eléctricas generan chispas que pueden encender el polvo o los vapores.
- **Mantenga a los niños y a los espectadores alejados mientras utiliza una herramienta eléctrica.** Las distracciones pueden ocasionar la pérdida de control.

SEGURIDAD ELÉCTRICA

- **Los enchufes de la herramienta eléctrica deben coincidir con el tomacorriente. Nunca modifique el enchufe de ninguna manera. No utilice adaptadores de enchufe con herramientas eléctricas aterrizadas.** Los enchufes y tomacorrientes correspondientes sin modificar reducirán el riesgo de descarga eléctrica.
- **Evite el contacto corporal con superficies aterrizadas, tales como tuberías, radiadores, estufas y refrigeradores.** Existe un riesgo mayor de descarga eléctrica si su cuerpo está aterrizado.
- **No exponga las herramientas eléctricas a la lluvia ni a condiciones húmedas.** Si se introduce agua en una herramienta eléctrica, aumentará el riesgo de descarga eléctrica.
- **No maltrate el cable. Nunca utilice el cable para cargar, jalar o desconectar la herramienta eléctrica. Mantenga el cable alejado del calor, el aceite, los bordes afilados o las partes en movimiento.** Los cables dañados o enredados aumentan el riesgo de descarga eléctrica.
- **Al utilizar una herramienta eléctrica en exteriores, utilice una extensión adecuada para uso en exteriores.** El uso de una extensión adecuada para el uso en exteriores disminuye el riesgo de descarga eléctrica.
- **Si es inevitable utilizar una herramienta eléctrica en un lugar húmedo, utilice un alimentador de corriente protegido con un interruptor de circuito por falla de conexión a tierra (GFCI).** El uso de un GFCI reduce el riesgo de descarga eléctrica.

SEGURIDAD PERSONAL

- **Manténgase alerta, atento a lo que está haciendo y utilice el sentido común al utilizar una herramienta eléctrica. No utilice una herramienta eléctrica mientras está cansado o bajo la influencia de drogas, alcohol o medicamentos.** Un momento de

distracción al utilizar herramientas eléctricas puede ocasionar lesiones personales graves.

- **Utilice equipo de protección personal. Siempre use protección para los ojos.** El equipo de protección, tal como una máscara contra polvo, calzado antideslizante, casco o protección auditiva, utilizado para condiciones adecuadas disminuirá las lesiones personales.
- **Evite el arranque accidental. Asegúrese de que el interruptor esté en la posición de apagado antes de conectarlo a una fuente de poder y/o batería, levantar o trasladar la herramienta.** Trasladar herramientas con el dedo en el interruptor o energizar herramientas eléctricas que tienen el interruptor encendido propicia accidentes.
- **Retire cualquier llave de ajuste antes de entender la herramienta.** Una llave que se deje insertada en una parte giratoria de la herramienta eléctrica puede ocasionar lesiones personales.
- **No estire el cuerpo demasiado. Mantenga un buen contacto entre los pies y el suelo y mantenga el equilibrio en todo momento.** Esto permite un mejor control de la herramienta eléctrica en situaciones inesperadas.
- **Vístase adecuadamente. No utilice ropa o joyería holgada. Mantenga el cabello y la ropa alejados de las partes móviles.** La ropa holgada, las alhajas o el cabello largo pueden quedarse atrapados en las partes móviles.
- **Si se proporcionan dispositivos para la conexión de instalaciones de extracción y recolección de polvo, cerciórese de que estén conectados y se utilicen correctamente.** El uso de dispositivos recolectores de polvo puede disminuir los riesgos relacionados con el polvo.
- **No permita que la familiaridad por el uso frecuente de las herramientas lo hagan sentirse seguro e ignorar los principios de seguridad de las herramientas.** Un descuido puede provocar lesiones graves en una fracción de segundo.

USO Y CUIDADO DE LAS HERRAMIENTAS ELÉCTRICAS

- **No fuerce la herramienta eléctrica. Utilice la herramienta eléctrica correcta para su aplicación.** La herramienta eléctrica correcta realizará el trabajo mejor y con mayor seguridad a la velocidad para la que fue diseñada.
- **No utilice la herramienta eléctrica si el interruptor no la enciende y la apaga.** Cualquier herramienta eléctrica que no pueda controlarse con el interruptor es peligrosa y debe repararse.
- **Desconecte el enchufe de la fuente de energía y/o quite la batería de la herramienta eléctrica, si es posible, antes de realizar cualquier ajuste, cambiar accesorios o almacenar las herramientas eléctricas.** Tales medidas preventivas de seguridad disminuyen el riesgo de que la herramienta eléctrica se encienda accidentalmente.
- **Almacene las herramientas eléctricas que no se estén utilizando fuera del alcance de los niños y no permita que personas que no estén familiarizadas con la herramienta eléctrica o con estas instrucciones la utilicen.** Las herramientas eléctricas son peligrosas en manos de usuarios sin capacitación.
- **Dé mantenimiento a las herramientas eléctricas y accesorios. Verifique que no haya desalinación, amarre de partes móviles, partes rotas o alguna otra condición que pueda afectar el**

funcionamiento de la herramienta eléctrica. Si se daña, asegúrese de que la herramienta eléctrica sea reparada antes de que se utilice. Muchos accidentes son ocasionados por herramientas eléctricas con mantenimiento deficiente.

- **Mantenga las herramientas de corte afiladas y limpias.** Las herramientas de corte correctamente mantenidas con bordes de corte afilados son menos propensas a atorarse y son más fáciles de controlar.
- **Utilice la herramienta eléctrica, los accesorios y las puntas, etc. de acuerdo con estas instrucciones, tomando en cuenta las condiciones de trabajo y el trabajo a realizar.** El uso de la herramienta eléctrica para operaciones diferentes a las previstas podría generar una situación peligrosa.
- **Mantenga las empuñaduras y rías superficies de sujeción secas, limpias y libres de aceite y grasa.** Las empuñaduras y superficies de sujeción resbalosas no permiten el manejo y control seguros de la herramienta en situaciones inesperadas.

USO Y CUIDADO DE LAS HERRAMIENTAS CON BATERÍA

- **Recargue únicamente con el cargador especificado por el fabricante.** Un cargador que es adecuado para un tipo de batería puede crear un riesgo de incendio si se utiliza con otra batería.
- **Utilice las herramientas eléctricas únicamente con baterías específicamente diseñadas.** El uso de cualquier otra batería puede producir un riesgo de lesiones e incendio.
- **Cuando la batería no esté en uso, manténgala alejada de otros objetos metálicos como sujetapapeles, monedas, llaves, clavos, tornillos u otros objetos metálicos pequeños que puedan formar una conexión de una terminal a otra.** Crear un corto entre las terminales de la batería puede ocasionar quemaduras o un incendio.
- **Bajo condiciones de maltrato, el líquido puede ser expulsado de la batería, evite el contacto. En caso de contacto accidental, lave con agua. Si el líquido entra en contacto con los ojos, busque además ayuda médica.** El líquido expulsado de la batería puede causar irritación o quemaduras.
- **No use una batería o herramienta que se haya dañado o modificado.** Las baterías dañadas o modificadas pueden mostrar un comportamiento impredecible, causando incendios, explosión o riesgo de lesión.
- **No exponga una batería o herramienta al fuego o a temperatura excesiva.** La exposición a fuego o temperatura a más de 130° C (265° F) puede causar explosiones.
- **Siga todas las instrucciones de carga y no cargue la batería o la herramienta fuera del rango de temperatura especificado en las instrucciones.** La carga incorrecta o a temperaturas fuera del rango especificado puede dañar la batería y aumentar el riesgo de incendio.

MANTENIMIENTO

- **Lleve su herramienta eléctrica a servicio con un técnico calificado que use únicamente piezas de reemplazo idénticas.** Esto asegurará que la seguridad de la herramienta eléctrica se mantenga.
- **Nunca dé servicio a baterías dañadas.** Únicamente el fabricante o proveedores de servicio autorizados deben dar servicio a las baterías.

REGLAS ESPECIFICAS DE SEGURIDAD PARA CORTAMALEZAS

Advertencias generales de seguridad acerca del cortamalezas:

- **No utilice la máquina en malas condiciones climáticas, particularmente cuando haya riesgo de relámpagos.** Esto reduce el riesgo de ser golpeado por un rayo.
- **Revise minuciosamente el área donde utilizará la máquina para confirmar que no haya animales.** Es posible que la máquina lesione a los animales durante su funcionamiento.
- **Revise minuciosamente el área donde se usará la máquina y quite todas las piedras, palos, cables, huesos y otro tipo de objetos extraños.** Los objetos proyectados pueden ocasionar lesiones físicas.
- **Antes de usar la máquina, realice una inspección visual para confirmar que la cortadora, la hoja y el ensamble de cortadora y hoja no presentan ningún daño.** Las piezas dañadas aumentan las probabilidades de riesgos de lesiones.
- **Siga las instrucciones para cambiar los accesorios.** Los pernos y tuercas mal apretados de la hoja podrían dañar la hoja misma o zafarse.
- **La velocidad nominal de rotación de la hoja debe ser, cuando menos, igual a la velocidad máxima de rotación que se indica en la máquina.** Las hojas que giren más rápido que la velocidad nominal de rotación pueden romperse y lanzarse al aire.
- **Utilice protección de ojos, orejas, cabeza y manos.** El uso del equipamiento de protección adecuado reducirá las posibilidades de sufrir una lesión física ocasionada por residuos en el aire o contacto accidental con la línea de corte o la hoja.
- **Siempre utilice calzado de seguridad mientras usa la máquina. No utilice la máquina si está descalzo o usa sandalias abiertas.** Así reducirá las probabilidades de sufrir lesiones en los pies ocasionadas por el contacto con una cortadora, línea u hoja en movimiento.
- **Siempre utilice pantalones largos mientras usa la máquina.** Hay mayores probabilidades de sufrir lesiones por objetos en el aire con la piel expuesta.
- **No deje que nadie se acerque mientras usa la máquina.** Los residuos en el aire pueden ocasionar lesiones físicas graves.
- **Siempre utilice ambas manos durante el uso de la máquina.** Sostener la máquina con ambas manos evitará que ocurra una pérdida de control.
- **Sostenga la máquina únicamente de las superficies de agarre aisladas, ya que la línea de corte o la hoja podrían estar en contacto con cableado oculto.** El contacto entre una línea de corte o las hojas y un cable "energizado" podría ocasionar que las piezas metálicas expuestas de la máquina se "energicen" y ocasionen que el operador sufra una descarga eléctrica.
- **Siempre mantenga una buena postura y utilice la máquina únicamente mientras está parado en el suelo.** Las superficies resbalosas o inestables pueden provocar una pérdida de equilibrio o de control de la máquina.
- **No utilice la máquina en pendientes demasiado pronunciadas.** Así reducirá el riesgo de sufrir una pérdida de control, resbalones y caídas que podrían resultar en lesiones físicas.

• Cuando se realicen trabajos en pendientes, asegúrese de mantener una buena postura, siempre trabaje en movimientos transversales en las pendientes, nunca de arriba hacia abajo y tenga sumo cuidado al momento de realizar un cambio de dirección. Así reducirá el riesgo de sufrir una pérdida de control, resbalones y caídas que podrían resultar en lesiones físicas.

• Mantenga todas las partes del cuerpo lejos de la cortadora, la línea y la hoja mientras la máquina esté funcionando. Antes de arrancar la máquina, asegúrese de que la cortadora, la línea de corte y la hoja no estén en contacto con nada. Un momento de descuido durante el uso de la máquina podría dar lugar a lesiones a usted o a otras personas.

• No utilice la máquina por encima del nivel de la cintura. Esto contribuye a evitar el contacto accidental de la cortadora o la hoja y permite tener un mejor control de la máquina en situaciones inesperadas.

• Al cortar malezas o brinzales que estén en tensión, tenga cuidado con el rebote. Cuando se libere la tensión en las fibras de madera, la maleza o el árbol joven podrá golpear al operador y/o aventar la máquina fuera de control.

• Tenga sumo cuidado al cortar maleza y brinzales. El material fino podría atorarse en la hoja y agitarse hacia usted o hacerlo perder el equilibrio.

• Mantenga el control de la máquina y no toque las cortadoras, las líneas o las hojas y otras piezas móviles peligrosas mientras están en movimiento. Esto reduce el riesgo de lesiones ocasionadas por las partes móviles.

• Transporte la máquina apagada y lejos de su cuerpo. El manejo correcto de la máquina permitirá reducir las posibilidades de que haya algún contacto accidental con la cortadora, la línea o la hoja en movimiento.

• Cuando transporte o guarde la máquina, siempre ponga el protector en las hojas metálicas. El manejo correcto de la máquina permitirá reducir las posibilidades de que haya algún contacto accidental con la hoja.

• Utilice únicamente cortadoras, líneas, cabezales de corte y hojas de repuesto específicamente indicadas por el fabricante. Las piezas de repuesto incorrectas aumentarán el riesgo de ruptura y lesiones.

Causas del rebote de la hoja y advertencias afines:

• El rebote de la hoja es un movimiento longitudinal súbito de la máquina, que podrá ocurrir cuando la hoja se atasque o se atore con un objeto, como un brizal o un tocón de árbol. Puede ser lo suficientemente violento para que la máquina y/o el operador sea propulsado a cualquier dirección, y posiblemente perder el control de la máquina.

• El rebote de la hoja y sus peligros conexos pueden evitarse si se toman las precauciones correspondientes que se indican a continuación.

• Mantenga un agarre firme con ambas manos sobre la máquina y coloque los brazos de tal manera que pueda resistir el rebote de la hoja. Ubique su cuerpo a la izquierda de la máquina. El rebote de la hoja puede aumentar el riesgo de lesiones ocasionado por el movimiento inesperado de la máquina. El operador podrá controlar el rebote de la hoja, siempre y cuando tome las debidas precauciones.

• Si la hoja se atora o se interrumpe un corte por algún motivo, apague la máquina y no la mueva del material hasta que la hoja se detenga por

completo. Mientras la hoja esté atorada, nunca intente quitar la máquina del material ni la jale hacia atrás mientras la hoja esté en movimiento. Hacerlo podría ocasionar el rebote de la hoja. Investigue la causa del amarre de la hoja y tome las acciones correctivas necesarias para eliminarla.

• No utilice hojas chatas ni dañadas. Las hojas chatas o dañadas pueden aumentar el riesgo de amarre o que se atoren con un objeto, lo que podría ocasionar el rebote de la hoja.

• Siempre tenga una buena visibilidad del material que corta. Es más probable que ocurra el rebote de hoja en espacios donde sea difícil ver el material que corta.

• Si se acerca una persona mientras utiliza la máquina, apáguela. Hay mayor riesgo de que otras personas sufran lesiones debido al golpe de la hoja en movimiento en caso de que ocurra el rebote de la hoja.

Otras reglas de seguridad del cortamalezas:

• Antes de utilizar, lea este manual, y todos los manuales y etiquetas de esta herramienta y su cabezal eléctrico. No seguir las advertencias e instrucciones puede producir lesiones graves. Utilice la herramienta únicamente como se describe en este manual. Utilice únicamente accesorios recomendados por MILWAUKEE.

• Al liberar el material atascado o darle mantenimiento a la máquina, asegúrese de que el interruptor esté apagado y que haya quitado la batería. El arranque inesperado de la máquina mientras libera el material atascado o le da mantenimiento podría ocasionar lesiones físicas graves.

⚠ ADVERTENCIA No opere cerca de líneas eléctricas. La unidad no se ha diseñado para proteger del choque eléctrico en caso de contacto con las líneas eléctricas. Consulte las normas locales de distancias seguras de las líneas eléctricas y asegúrese de que la posición operativa esté segura y protegida antes de utilizarse.

• No utilice una extensión con este accesorio de la herramienta. La longitud adicional hará que sea muy difícil de controlar este accesorio y podría causar lesiones.

• Utilice la correa de hombros para reducir el cansancio en el usuario y para ayudarlo a mantener el control de la herramienta durante el uso.

• No utilice varias correas de hombros al mismo tiempo. Cuando utilice una correa de hombros, asegúrese de que ningún otro elemento que lleve puesto interfiera con la liberación y el retiro de la correa.

• No levante nada que se esté quemando o emitiendo humo, como cigarrillos, cerillos o cenizas calientes.

• Para reducir el riesgo de peligros para la salud por los vapores o el polvo, no utilice la herramienta cerca de materiales tóxicos, carcinogénicos u otros peligrosos como asbesto, arsénico, bario, berilio, plomo, pesticidas u otros materiales que pongan en peligro la salud.

• Tenga cuidado cuando la utilice alrededor de plantas decorativas y otros obstáculos. Los accesorios cortarán/dañarán muchos materiales.

• No opere la herramienta sin el protector en su sitio. El protector debe estar sujetado correctamente durante el uso. Operar la herramienta sin el protector causará lesiones graves.

• No utilice la herramienta si el cabezal de la cortadora está dañado. Las piezas cuarteadas o rotas pueden salir volando.

LEA Y GUARDE ESTAS INSTRUCCIONES PARA USO FUTURO

SIMBOLOGIA

• **No opere la herramienta sin haber puesto el mango delantero y el protector de cintura. El mango delantero debe estar sujetado correctamente durante el uso. Use ambas manos al operar la herramienta, según las instrucciones del accesorio. Mantenga un agarre firme.** Usar solamente una mano podría ocasionar una pérdida de control y provocar lesiones graves.

• **No utilice la herramienta como canteadora. No incline la herramienta para crear un ángulo recto con el suelo. Mantenga el cabezal del cortama- lezas en paralelo al suelo.** El protector no puede proteger contra residuos que vuelen en esta dirección.

• **Mantenga la cara, manos y pies alejados de las partes móviles todo el tiempo.** Las partes móviles pueden causar graves laceraciones.

• **Prepárese en caso de movimiento inesperado cuando haya contacto con un objeto sólido.** La pérdida de control puede resultar en lesiones graves.

• **Los objetos lanzados pueden rebotar de superficies duras, tales como paredes, árboles, y rocas y causar daños.** Si es posible, realice el bordeado a mano en áreas cerradas.

• **Cargue la bordeadora por el mango delantero para evitar un encendido accidental.** El manejo correcto de la bordeadora evitará lesiones.

• **Siempre apague la herramienta entre cortes o al transportarla de una ubicación a otra.** No cargue la herramienta con el dedo en el gatillo. El encendido accidental puede causar lesiones graves personales.

• **No sumerja en agua o salpique con una manguera. No limpie con una limpiadora a presión.** El agua que entre a la herramienta eléctrica aumentará el riesgo de choque eléctrico. Guarde la herramienta en el interior.

• **No almacene la herramienta eléctrica en, o cerca de fertilizantes o químicos.**

• **Siempre apague la herramienta y luego retire la batería antes de cambiar o retirar los accesorios.**

• **Válgase siempre de su sentido común y sea cuidadoso cuando utilice herramientas.** No es posible anticipar todas las situaciones que podrían tener un desenlace peligroso. No utilice esta herramienta si no entiende estas instrucciones de uso o si considera que el trabajo a realizar supera sus capacidades, comuníquese con Milwaukee Tool o con un profesional capacitado para recibir capacitación o información adicional.

• **Conserve las etiquetas y las placas nominales.** Contienen información importante. Si son ilegibles o no están presentes, comuníquese con un centro de servicio MILWAUKEE para obtener un reemplazo gratuito.

• **ADVERTENCIA** Algunos polvos generados por el lijado eléctrico, aserrado, pulido, taladrado y otras actividades de construcción contienen químicos identificados como causantes de cáncer, defectos congénitos u otros daños reproductivos. Algunos ejemplos de estos químicos son:

• plomo de pintura basada en plomo

• dióxido de silicio de los ladrillos y el cemento y otros productos de albañilería y

• arsénico y cromo de madera con tratamiento químico. Su riesgo por estas exposiciones varía, dependiendo de la frecuencia con que realice este tipo de trabajo. Para reducir su exposición a estos químicos: trabaje en un área bien ventilada y trabaje con equipo de seguridad aprobado, como mascarillas protectoras contra polvo especialmente diseñadas para filtrar partículas microscópicas.



Volts



Corriente continua

n_0 XXXX min⁻¹ Revoluciones por minuto sin carga (RPM)



Símbolo de alerta de seguridad



Leer el manual del operador.



Use protección para los ojos, los oídos y la cabeza.



Utilice calzado antiderrapante.



Utilice guantes protectores.



Mantenga las manos y los pies lejos de la hoja.



Tenga cuidado del rebote de hoja.



Cuidado con los objetos lanzados.



La distancia entre la máquina y las demás personas deberá ser de, por lo menos, 15 m (50').



No se utilice en conjunto con la hoja de una sierra o de una canteadora.



La superficie está caliente. Evite el contacto.



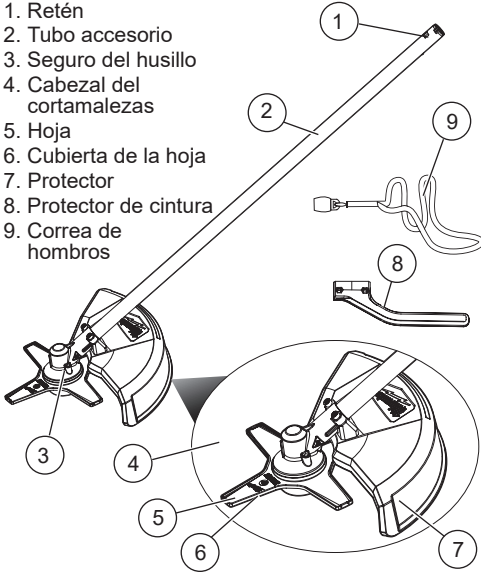
UL Listing Mark para Canadá y Estados Unidos

ESPECIFICACIONES

Cat. No.	49-16-2738
Cabezal eléctrico	2825-20
RPM.....	Bajo 0 - 4 900 Alta 0 - 6 200
Diámetro de hoja de corte	230 mm (9")
Cat. no. de la hoja	49-16-2757
Cat. no. de la llave hexagonal T30	45-96-0030
Cat. no. de la herramienta de retiro de cabezal (5 mm)	44-60-0144

DESCRIPCION FUNCIONAL

1. Retén
2. Tubo accesorio
3. Seguro del husillo
4. Cabezal del cortamaizales
5. Hoja
6. Cubierta de la hoja
7. Protector
8. Protector de cintura
9. Correa de hombros



NOTA: La correa de hombros y el protector de cintura deben instalarse en el 2825-20 sistema de accesorios M18 FUEL™ con cabezal eléctrico QUIK-LOK™.

ENSAMBLAJE

⚠ ADVERTENCIA Antes de usar el cabezal eléctrico, lea el manual y las etiquetas del producto. El manual del cabezal eléctrico incluye instrucciones importantes de armado y uso. Conecte el accesorio al cabezal eléctrico según se indica en el manual del cabezal eléctrico.

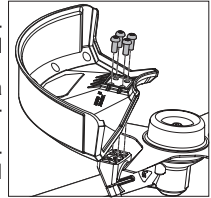
No opere la herramienta sin haber puesto el protector y el protector de cintura. Tanto el protector como el protector de cintura deben estar sujetos correctamente durante el uso. Operar la herramienta sin el protector y el protector de cintura ocasionará lesiones graves.

Siempre quite la batería antes de cambiar o quitar los accesorios.

Instalación del protector

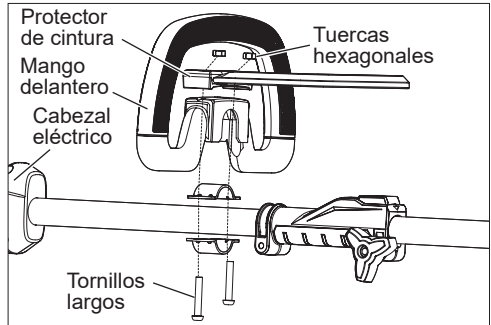
El protector se envía sin instalar y debe instalarse antes de usarse.

1. Alinee la ménsula del protector con los orificios en el protector.
2. Inserte cuatro tornillos a través del protector y dentro de la ménsula.
3. Apriete bien los tornillos con la llave hexagonal incluida.



Instalación del protector de cintura

El protector de cintura se envía sin instalar y debe instalarse antes de usarse. El protector de cintura debe instalarse fijamente en el lado izquierdo del cabezal eléctrico QUIK-LOK™ para que el cortamaizales lo utilice del lado derecho. Hacerlo contribuirá a evitar el contragolpe, lo que podría ocasionar lesiones graves.



1. Quite los dos tornillos por debajo del mango delantero del cabezal eléctrico QUIK-LOK™.
2. Quite las tuercas hexagonales del mango delantero del cabezal eléctrico QUIK-LOK™.
3. Alinee el protector de cintura en la parte alta del mango delantero. El protector de cintura debe orientarse al lado izquierdo de la herramienta.

NOTA: La manija y la barrera de la cadera deben instalarse en el poste del cabezal de potencia, justo después de la etiqueta "Coloque la manija aquí".

4. Alinee las tuercas hexagonales en la parte alta del protector de cintura.

5. Inserte los dos tornillos largos que vienen incluidos con el protector de cintura a través de la parte baja del mango delantero para conectar el mango delantero, el protector de cintura y las tuercas hexagonales juntas. Apriete firmemente los tornillos.

⚠ADVERTENCIA No se utilice en conjunto con la hoja de una sierra o de una canteadora.

No utilice la herramienta si el cabezal de la cortadora está dañado. Las piezas cuarteadas o rotas pueden salir volando.

⚠ATENCIÓN Siempre use guantes y ponga la cubierta en la hoja al momento de manipular la hoja de la cortadora.

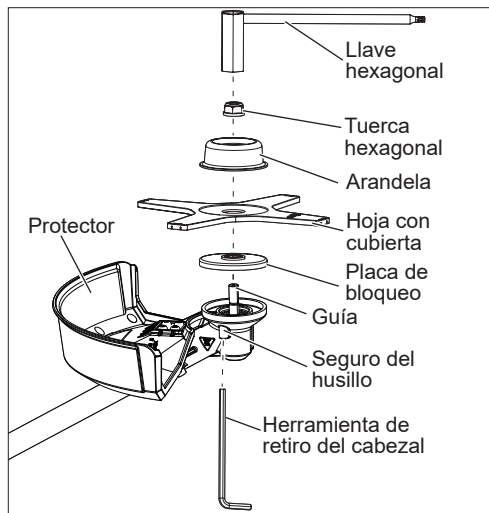
Instalación / retiro de la cubierta de la hoja

Para **instalar** la cubierta de la hoja, ponga la cubierta a presión en la parte baja de la hoja. Revise que la cubierta esté fija en ambos lados de la hoja.

Para **quitar** la cubierta de la hoja, jálela para separarla de la hoja.

Instalación / retiro de la hoja

La hoja se envía sin instalar y debe instalarse antes de usarse.



Para **instalar** la hoja:

1. Extraiga la batería.
2. Inserte la herramienta de retiro del cabezal en el seguro del husillo y manténgala en su lugar.
3. Fije la hoja al eje para que la guía de la placa de bloqueo entre en el orificio del eje en la hoja.
4. Ponga la arandela en el eje, en la parte superior de la hoja.
5. Ponga la tuerca hexagonal encima de la arandela y apriete la tuerca hexagonal con un torque de presión de 13-23 Nm.
6. Quite la llave hexagonal y la herramienta de retiro del cabezal.

Para **quitar** la hoja:

1. Extraiga la batería.
2. Voltee el cortamalezas.
3. Inserte la herramienta de retiro del cabezal en el seguro del husillo y manténgala en su lugar.
4. Inserte la llave hexagonal encima de la tuerca hexagonal. Gírela hacia la derecha hasta que se afloje la tuerca hexagonal. Quite la tuerca hexagonal.
5. Quite la tuerca hexagonal, la arandela y la hoja.

Sélection de la vitesse

Utiliser le bouton de commande de vitesse pour sélectionner les vitesses hautes et faibles. Utiliser une vitesse faible pour des opérations plus grandes où une vie étendue de la batterie soit nécessaire. Utiliser une haute vitesse pour des opérations des herbes denses.



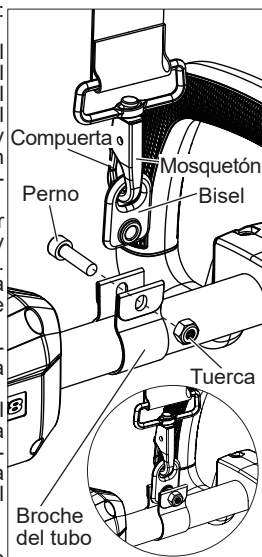
⚠ADVERTENCIA No utilice varias correas de hombros al mismo tiempo. Cuando utilice una correa de hombros, asegúrese de que ningún otro elemento que lleve puesto interfiera con la liberación y el retiro de la correa.

Abrochar la correa de hombros

Utilice la correa de hombros para reducir el cansancio en el usuario y para ayudarle a mantener el control de la herramienta durante el uso.

Para **instalar** la correa:

1. Extraiga la batería.
2. Ajuste el broche del tubo alrededor del tubo con cabezal eléctrico entre el mango delantero y el mango trasero en un lugar cómodo durante el uso.
3. Inserte el perno por el broche del tubo y el bisel de la correa. Enrosque la tuerca en el perno y apriete bien.
4. Abroche el mosquetón de la correa al bisel.
5. Ajuste el gancho del mástil según sea necesario para asegurarse de que la hoja esté a buen nivel de funcionamiento.



Para **usar** la correa:

1. Pase el brazo derecho y la cabeza por la correa.
2. Ajuste los broches de la correa para cambiar la longitud y que esté cómoda.
3. Deslice la almohadilla del cuello a la posición apropiada.

Para **desabrochar** la correa:

1. Sostenga la herramienta por el mango delantero con la mano izquierda.
2. Tome el mosquetón con la mano derecha y desabroche empujando la compuerta y deslizando el bisel hacia afuera.

OPERACIÓN

⚠ADVERTENCIA Con el fin de minimizar el riesgo de lesiones, siempre utilice la protección de ojos adecuada indicada para cumplir con lo dispuesto en la norma ANSI Z87.1. Siempre retire la batería antes de cambiar o retirar los accesorios o aditamentos.

No opere la herramienta sin el mango delantero en su sitio. El mango delantero debe estar sujetado correctamente durante el uso. Usar una mano puede causar la pérdida de control y resultará en lesiones graves.

No opere la herramienta sin haber puesto el protector y el protector de cintura. Tanto el protector como el protector de cintura deben estar sujetos correctamente durante el uso. Operar la herramienta sin el protector y el protector de cintura ocasionará lesiones graves.

Utilice la correa de hombros durante la operación. Sostenga con firmeza el cortamalezas de su lado derecho.

Use ambas manos al operar la bordeadora. Sostenga con firmeza. Usar una mano puede causar la pérdida de control y resultará en lesiones graves.

Revise el área antes de utilizar la herramienta. Retire todos los desperdicios y objetos duros como rocas, vidrio, alambre, etc. que puedan volar, rebotar o causar lesiones o daños durante la operación.

Bordeado

1. Quite la cubierta de la hoja antes de usarse. Revise la hoja para ver si no presenta daños. Si la hoja está dañada, no la use y cámbiela.
 2. Sostenga la empuñadura de gatillo con la mano derecha y la empuñadura delantera con la mano izquierda para que usted esté bien alineado detrás de la protección y lejos de la dirección de corte.
 3. Para **encender** la herramienta, apriete la palanca de seguridad y jale el gatillo.
 4. Para **cambiar** la velocidad, aumente o disminuya la presión sobre el gatillo. Mientras más se jale el gatillo, mayor será la velocidad hasta el máximo establecido por el botón de control de velocidad.
 5. Permita que la bordeadora se incline hacia abajo, manteniendo al menos 305 mm (12") entre el cabezal de la bordeadora y cualquier parte del cuerpo. Sostenga la bordeadora justo arriba del suelo y balancee el cabezal de lado a lado.
- ⚠ADVERTENCIA!** No use la herramienta como orilladora. No incline la herramienta para crear un ángulo recto con el suelo. Mantenga el cabezal del cortamalezas en paralelo al suelo. El protector no puede proteger contra desperdicios que vuelen en esta orientación.



NOTA: El cortamalezas cortará mejor cuando se le desplace por todo el suelo en la dirección opuesta que marca la flecha en el protector.

6. En caso de obstrucciones, apague la herramienta y retire la batería antes de limpiar cualquier residuo.
7. Para **detener** la herramienta, suelte el gatillo. Asegúrese de que la herramienta se detenga por completo antes de bajar la herramienta.

Materiales para cortar

•Césped grueso, malezas, hierbas, árboles y brizales de diámetro corto.

Consejos para cortar

- Realice múltiples pasadas en crecimiento largo para evitar bloqueos.
- Evite árboles ornamentales, arbustos y canteros. Evite el contacto con revestimientos, vallas, etc. Todos pueden dañarse con la bordeadora.
- Revise la herramienta para ver si no sufrió ningún daño después de haber golpeado un objeto rígido o si parece generar una vibración excesiva.

MANTENIMIENTO

⚠ADVERTENCIA Para reducir el riesgo de una lesión, desconecte siempre la herramienta antes de darle cualquier mantenimiento. Nunca desarme la herramienta ni trate de hacer modificaciones en el sistema eléctrico de la misma. Acuda siempre a un Centro de Servicio MILWAUKEE para TODAS las reparaciones.

Mantenimiento de las herramientas

Adopte un programa regular de mantenimiento y mantenga su herramienta en buenas condiciones. Inspeccione la herramienta para problemas como ruidos indebidos, desalineadas o agarradas de partes móviles, piezas rotas o cualquier otra condición que pueda afectar el funcionamiento de la herramienta. Envíe su herramienta al Centro de Servicio MILWAUKEE para reparación. Después de 6 meses a un año, dependiendo del uso dado, envíe su herramienta al Centro de Servicio MILWAUKEE más cercano para la inspección. Si la herramienta no arranca u opera a toda su potencia con una batería completamente cargada, limpie, con una goma o borrador, los contactos de la batería y de la herramienta. Si aun así la herramienta no trabaja correctamente, regrésela, con el cargador y la batería, a un centro de servicio MILWAUKEE.

⚠ADVERTENCIA No utilice hojas chatas ni dañadas. Las hojas chatas o dañadas pueden aumentar el riesgo de amarre o que se atoren con un objeto, lo que podría ocasionar el rebote de la hoja.

Cambio de la hoja

Debe revisar la hoja antes de cada uso. Si la hoja está apostillada o está chata, es necesario cambiarla. Consulte la sección "Instalación / retiro de la hoja" en este manual para leer las instrucciones acerca de la instalación y retiro de la hoja.

⚠ADVERTENCIA Para reducir el riesgo de lesiones, descarga eléctrica o daño a la herramienta, nunca la sumerja en líquidos ni permita que estos fluyan dentro de la misma.

Limpieza

Limpie el polvo y suciedad de las cualquier ventilas. Mantenga los herramienta, limpios, secos y libres de aceite o grasa. Use solo jabón neutro y un trapo húmedo para limpiar, ya que algunos sustancias y

solventes limpiadores son dañinos a los plásticos y partes aislantes. Algunos de estos incluyen: gasolina, turpentina, thinner, lacas, thinner para pinturas, solventes para limpieza con cloro, amoníaco y detergentes caseros que tengan amonía. Nunca usa solventes inflamables o combustibles cerca de una herramienta.

Reparaciones

Si su herramienta, batería o cargador están dañados, envíela al centro de servicio autorizado más cercano.

ACCESORIOS

⚠️ ADVERTENCIA Utilice sólo los accesorios específicamente recomendados. Otros accesorios puede ser peligroso.

Para una lista completa de accesorios, visite nuestro sitio en Internet: www.milwaukeetool.com o póngase en contacto con un distribuidor.

SOPORTE DE SERVICIO - MEXICO

CENTRO DE ATENCION A CLIENTES

Techtronic Industries Mexico, S.A. de C.V.

Av. Presidente Mazarín 29 Piso 7

11560 Polanco V Sección

Miguel Hidalgo, Distrito Federal, México

01 (800) 030-7777 o (55) 4160-3540

Lunes a Viernes (9am a 6pm)

O contáctanos en www.milwaukeetool.com.mx

GARANTIA LIMITADA - E.U.A. Y CANADA

Todo producto de equipamiento eléctrico para exteriores MILWAUKEE* (consulte las excepciones a continuación) está garantizado ante el comprador original por un distribuidor autorizado MILWAUKEE únicamente de que no tenga material y mano de obra defectuosos. Con algunas excepciones, MILWAUKEE reparará o cambiará cualquier pieza de un producto de equipamiento eléctrico para exteriores que tenga defectos de material o mano de obra, según lo determine MILWAUKEE mediante una revisión, por un periodo de (3) años** después de la fecha de compra, a menos que se indique lo contrario. Devuelva al equipamiento eléctrico para exteriores a un centro de servicio de fábrica MILWAUKEE o una estación de servicio autorizada participante MILWAUKEE, con flete prepagado y asegurado. Se debe incluir una copia del comprobante de compra con el producto devuelto. Esta garantía no aplica a daños que MILWAUKEE determine que son ocasionados por reparaciones o intentos de reparaciones realizados por una persona que no sea personal autorizado de MILWAUKEE, uso indebido, alteraciones, maltrato, desgaste normal, falta de mantenimiento o accidentes.

Desgaste normal: Muchos productos de equipamiento eléctrico para exteriores necesitan cambios de piezas y mantenimiento periódicos para alcanzar su máximo rendimiento. La presente garantía no cubre las reparaciones cuando el uso normal del producto haya agotado la vida útil de una pieza, que podría incluir, entre otras, las hojas de podadora, el cabezal de corte, el carrete del cabezal de la desbrozadora, las líneas de corte, las hojas, las cadenas, los tubos del soplador, los cepillos, las juntas tóricas y los sellos.

*La presente garantía no cubre ni la batería ni los productos recondicionados. Están disponibles distintas garantías independientes para estos productos.

**La vigencia de la garantía de los ensambles de tanque SWITCH TANK™, mangueras, empuñaduras y extensiones es de un (1) año a partir de la fecha de compra.

MILWAUKEE no cubre los cargos por flete o mano de obra relacionados con la inspección y el análisis de los productos eléctricos para exteriores que MILWAUKEE haya descubierto que no conforman una reclamación de garantía válida. Una reclamación de garantía válida deberá estar fundamentada por el descubrimiento de material o fabricación defectuosos por parte de MILWAUKEE.

LA ACEPTACIÓN DE LOS RESARCIMIENTOS EXCLUSIVOS DE REPARACIÓN Y SUSTITUCIÓN AQUÍ DESCRITOS ES UNA CONDICIÓN DEL CONTRATO EN CUANTO A LA COMPRA DE TODO PRODUCTO DE MILWAUKEE. SI USTED NO ACEPTA ESTA

CONDICIÓN, NO DEBE COMPRAR EL PRODUCTO. MILWAUKEE NO SERÁ RESPONSABLE EN NINGUN CASO DE DAÑOS INCIDENTALES, ESPECIALES, EMERGENTES O PUNITIVOS NI DE NINGÚN COSTO, HONORARIOS DE ABOGADOS, GASTOS, PÉRDIDAS O DEMORAS QUE SUPUESTAMENTE SEAN CONSECUENCIA DE ALGUN DAÑO, FALLA O DEFECTO DE ALGUNO DE LOS PRODUCTOS, INCLUYENDO, ENTRE OTROS, RECLAMACIONES POR PÉRDIDA DE UTILIDADES. ALGUNOS ESTADOS NO PERMITEN LA EXCLUSIÓN O LIMITACIÓN DE RESPONSABILIDAD POR DAÑOS INCIDENTALES O EMERGENTES, POR LO QUE LA ANTERIOR LIMITACIÓN O EXCLUSIÓN PODRÍA NO APLICARSE EN SU CASO. ESTA GARANTÍA ES EXCLUSIVA Y SUSTITUYE TODAS LAS DEMÁS GARANTÍAS EXPRESAS, SEAN ESTAS ESCRITAS U ORALES. HASTA DONDE PERMITA LA LEY, MILWAUKEE DESCONOCE CUALQUIER GARANTÍA IMPLÍCITA, INCLUYENDO, SIN LIMITACIÓN, CUALQUIER GARANTÍA IMPLÍCITA DE COMERCIABILIDAD O IDONEIDAD PARA UN FIN O USO ESPECÍFICO; HASTA EN QUE DICHO DESCONOCIMIENTO NO SEA PERMITIDO POR LA LEY, DICHAS GARANTÍAS IMPLÍCITAS SE LIMITAN A LA DURACIÓN DE LA GARANTÍA EXPRESA CORRESPONDIENTE SEGÚN LO ARRIBA DESCRITO. ALGUNOS ESTADOS NO PERMITEN LIMITACIONES EN LA VIGENCIA DE UNA GARANTÍA IMPLÍCITA, POR LO QUE LA ANTERIOR LIMITACIÓN PODRÍA NO APLICAR A USTED. ESTA GARANTÍA LE CONFIERE DERECHOS JURÍDICOS ESPECÍFICOS Y USTED PODRÍA, ADEMAS, TENER OTROS DERECHOS QUE VARIAN SEGÚN EL ESTADO.

Esta garantía aplica únicamente a los productos vendidos en EE. UU. y Canadá.

Consulte la pestaña "Búsqueda de centros de servicio" en la sección "Piezas y servicio" del sitio web de MILWAUKEE en www.milwaukeetool.com o llame al 1.800.SAWDUST (1.800.729.3878) para localizar su centro de servicio más cercano para darle servicio, con o sin garantía, a una herramienta eléctrica de MILWAUKEE.

PÓLIZA DE GARANTÍA - VALIDA SOLO PARA MEXICO, AMERICA CENTRAL Y EL CARIBE

La garantía de TECHTRONIC INDUSTRIES es por 3 años a partir de la fecha original de compra.

Esta tarjeta de garantía cubre cualquier defecto de material y mano de obra en ese Producto.

Para hacer válida esta garantía, presente esta tarjeta de garantía, cerrada/sellada por el distribuidor o la tienda donde compró el producto, al Centro de Servicio Autorizado (ASC). O, si esta tarjeta no se ha cerrado/sellado, presente la prueba original de compra a ASC. Llame 55 4160-3547 para encontrar el ASC más cercano, para servicio, partes, accesorios o componentes.

Procedimiento para hacer válida esta garantía

Lleve el producto a ASC, junto con la tarjeta de garantía cerrada/sellada por el distribuidor o la tienda donde compró el producto, y cualquier pieza o componente defectuoso se reemplazará sin costo para usted. Cubriremos todos los costos de flete con relación a este proceso de garantía.

Excepciones

Esta garantía no tendrá validez en las siguientes situaciones:

- Cuando el producto se use de manera distinta a la que indica el manual del usuario final o de instrucciones.
- Cuando las condiciones de uso no sean normales.
- Cuando otras personas no autorizadas por TECHTRONIC INDUSTRIES modifiquen o reparen el producto.

Nota: si el juego de cables está dañado, tiene que reemplazarse en un Centro de Servicio Autorizado para evitar riesgos eléctricos.

CENTRO DE SERVICIO Y ATENCIÓN

Llame al 55 4160-3547

IMPORTADO Y COMERCIALIZADO POR

TECHTRONIC INDUSTRIES, MÉXICO, S.A. DE C.V.

Miguel de Cervantes Saavedra No.301 Piso 5, Torre Norte

11520 Colonia Ampliación Granada

Miguel Hidalgo, Ciudad de México, México

Modelo: _____

Fecha de Compra: _____

Sello del Distribuidor: _____

MILWAUKEE TOOL
13135 West Lisbon Road
Brookfield, WI 53005 USA

58140307d2
02/23

961014759-01(A)
Printed in China