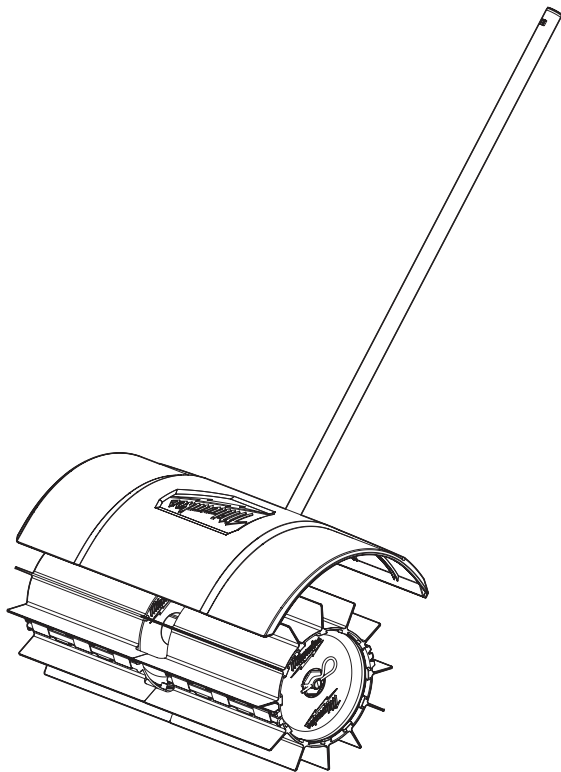




OPERATOR'S MANUAL
MANUEL de L'UTILISATEUR
MANUAL del OPERADOR



Cat. No. / No de cat.
49-16-2740

M18 FUEL™ QUIK-LOK™ RUBBER BROOM ATTACHMENT
ACCESSOIRE DE BALAI EN CAOUTCHOUC M18 FUEL™
QUIK-LOK™
ACCESORIO DE CEPILLO DE CAUCHO M18 FUEL™
QUIK-LOK™



WARNING To reduce the risk of injury, user must read and understand operator's manual.

AVERTISSEMENT Afin de réduire le risque de blessures, l'utilisateur doit lire et bien comprendre le manuel.

ADVERTENCIA Para reducir el riesgo de lesiones, el usuario debe leer y entender el manual.

GENERAL POWER TOOL SAFETY WARNINGS

WARNING Read all safety warnings, instructions, illustrations and specifications provided with this power tool. Failure to follow all instructions listed below may result in electric shock, fire and/or serious injury. **Save all warnings and instructions for future reference.** The term "power tool" in the warnings refers to your mains-operated (corded) power tool or battery-operated (cordless) power tool.

WORK AREA SAFETY

- **Keep work area clean and well lit.** Cluttered or dark areas invite accidents.
- **Do not operate power tools in explosive atmospheres, such as in the presence of flammable liquids, gases or dust.** Power tools create sparks which may ignite the dust or fumes.
- **Keep children and bystanders away while operating a power tool.** Distractions can cause you to lose control.

ELECTRICAL SAFETY

- **Power tool plugs must match the outlet.** Never modify the plug in any way. Do not use any adapter plugs with earthed (grounded) power tools. Unmodified plugs and matching outlets will reduce risk of electric shock.
- **Avoid body contact with earthed or grounded surfaces, such as pipes, radiators, ranges and refrigerators.** There is an increased risk of electric shock if your body is earthed or grounded.
- **Do not expose power tools to rain or wet conditions.** Water entering a power tool will increase the risk of electric shock.
- **Do not abuse the cord.** Never use the cord for carrying, pulling or unplugging the power tool. Keep cord away from heat, oil, sharp edges or moving parts. Damaged or entangled cords increase the risk of electric shock.
- **When operating a power tool outdoors, use an extension cord suitable for outdoor use.** Use of a cord suitable for outdoor use reduces the risk of electric shock.
- **If operating a power tool in a damp location is unavoidable, use a ground fault circuit interrupter (GFCI) protected supply.** Use of an GFCI reduces the risk of electric shock.

PERSONAL SAFETY

- **Stay alert, watch what you are doing and use common sense when operating a power tool. Do not use a power tool while you are tired or under the influence of drugs, alcohol or medication.** A moment of inattention while operating power tools may result in serious personal injury.
- **Use personal protective equipment. Always wear eye protection.** Protective equipment such as a dust mask, non-skid safety shoes, hard hat or hearing protection used for appropriate conditions will reduce personal injuries.
- **Prevent unintentional starting. Ensure the switch is in the off-position before connecting to power source and/or battery pack, picking up or carrying the tool.** Carrying power tools with your finger on the switch or energizing power tools that have the switch on invites accidents.
- **Remove any adjusting key or wrench before turning the power tool on.** A wrench or a key left

attached to a rotating part of the power tool may result in personal injury.

- **Do not overreach. Keep proper footing and balance at all times.** This enables better control of the power tool in unexpected situations.
- **Dress properly. Do not wear loose clothing or jewelry. Keep your hair and clothing away from moving parts.** Loose clothes, jewelry or long hair can be caught in moving parts.
- **If devices are provided for the connection of dust extraction and collection facilities, ensure these are connected and properly used.** Use of dust collection can reduce dust-related hazards.
- **Do not let familiarity gained from frequent use of tools allow you to become complacent and ignore tool safety principles.** A careless action can cause severe injury within a fraction of a second.

POWER TOOL USE AND CARE

- **Do not force the power tool. Use the correct power tool for your application.** The correct power tool will do the job better and safer at the rate for which it was designed.
- **Do not use the power tool if the switch does not turn it on and off.** Any power tool that cannot be controlled with the switch is dangerous and must be repaired.
- **Disconnect the plug from the power source and/or remove the battery pack, if detachable, from the power tool before making any adjustments, changing accessories, or storing power tools.** Such preventive safety measures reduce the risk of starting the power tool accidentally.
- **Store idle power tools out of the reach of children and do not allow persons unfamiliar with the power tool or these instructions to operate the power tool.** Power tools are dangerous in the hands of untrained users.
- **Maintain power tools and accessories. Check for misalignment or binding of moving parts, breakage of parts and any other condition that may affect the power tool's operation. If damaged, have the power tool repaired before use.** Many accidents are caused by poorly maintained power tools.
- **Keep cutting tools sharp and clean.** Properly maintained cutting tools with sharp cutting edges are less likely to bind and are easier to control.
- **Use the power tool, accessories and tool bits etc. in accordance with these instructions, taking into account the working conditions and the work to be performed.** Use of the power tool for operations different from those intended could result in a hazardous situation.
- **Keep handles and grasping surfaces dry, clean and free from oil and grease.** Slippery handles and grasping surfaces do not allow for safe handling and control of the tool in unexpected situations.

BATTERY TOOL USE AND CARE

- **Recharge only with the charger specified by the manufacturer.** A charger that is suitable for one type of battery pack may create a risk of fire when used with another battery pack.
- **Use power tools only with specifically designated battery packs.** Use of any other battery packs may create a risk of injury and fire.
- **When battery pack is not in use, keep it away from other metal objects, like paper clips, coins, keys, nails, screws or other small metal objects,**

that can make a connection from one terminal to another. Shorting the battery terminals together may cause burns or a fire.

- **Under abusive conditions, liquid may be ejected from the battery; avoid contact. If contact accidentally occurs, flush with water. If liquid contacts eyes, additionally seek medical help.** Liquid ejected from the battery may cause irritation or burns.
- **Do not use a battery pack or tool that is damaged or modified.** Damaged or modified batteries may exhibit unpredictable behavior resulting in fire, explosion or risk of injury.
- **Do not expose a battery pack or tool to fire or excessive temperature.** Exposure to fire or temperature above 265°F (130°C) may cause explosion.
- **Follow all charging instructions and do not charge the battery pack or tool outside the temperature range specified in the instructions.** Charging improperly or at temperatures outside the specified range may damage the battery and increase the risk of fire.

SERVICE

- **Have your power tool serviced by a qualified repair person using only identical replacement parts.** This will ensure that the safety of the power tool is maintained.
- **Never service damaged battery packs.** Service of battery packs should only be performed by the manufacturer or authorized service providers.

SPECIFIC SAFETY RULES FOR RUBBER BROOMS

- **Before use, read this manual, and all manuals and labels of this tool and its power head. Failure to follow the warnings and instructions may result in serious injury. Use tool only as described in this manual. Use only attachments recommended by MILWAUKEE.**
- **Do not use the machine in bad weather conditions, especially when there is a risk of lightning.** This decreases the risk of being struck by lightning.
- **Thoroughly inspect the area for wildlife where the machine is to be used.** Wildlife may be injured by the machine during operation.
- **Thoroughly inspect the area where the machine is to be used and remove all stones, sticks, wires, bones, and other foreign objects.** Thrown objects can cause personal injury.
- **Wear eye, ear, and hand protection.** Adequate protective equipment will reduce personal injury by flying debris or accidental contact with the broom.
- **While operating the machine, always wear safety footwear. Do not operate the machine when barefoot or wearing open sandals.** This reduces the chance of injury to the feet from contact with a moving broom.
- **While operating the machine, always wear long trousers.** Exposed skin increases the likelihood of injury from thrown objects.
- **Keep bystanders away while operating the machine.** Thrown debris can result in serious personal injury.
- **Always use two hands when operating the machine.** Holding the machine with both hands will avoid loss of control.
- **Always keep proper footing and operate the machine only when standing on the ground.** Slippery or unstable surfaces may cause a loss of balance or control of the machine.

- **When working on slopes, always be sure of your footing, always work across the face of slopes, never up or down and exercise extreme caution when changing direction.** This reduces the risk of loss of control, slipping and falling which may result in personal injury.
- **Keep all parts of the body away from the broom when the machine is operating. Before you start the machine, make sure the broom is not contacting anything.** A moment of inattention while operating the machine may result in injury to yourself or others.
- **Maintain control of the machine and do not touch broom and other hazardous moving parts while they are still in motion.** This reduces the risk of injury from moving parts.
- **Carry the machine with the machine switched off and away from your body.** Proper handling of the machine will reduce the likelihood of accidental contact with a moving broom.
- **Only use replacement brooms specified by the manufacturer.** Incorrect replacement parts may increase the risk of breakage and injury.
- **Do not use an attachment extension with this tool attachment. The additional length will make this attachment difficult to control and could cause injury.**
- **When using this attachment with larger-capacity battery packs, use the shoulder strap to reduce user fatigue and help in maintaining control of the tool during use.**
- **Do not wear multiple shoulder straps simultaneously. When wearing a shoulder strap, ensure that no other wearable interferes with the release and removal of the strap.**
- **Do not use the tool near anything that is burning or smoking such as cigarettes, matches, or hot ashes.**
- **To reduce the risk of health hazards from vapors or dust, do not use tool near toxic, carcinogenic or other hazardous materials such as asbestos, arsenic, barium, beryllium, lead, pesticides or other health endangering materials.**
- **Use care when using around decorative plants and other obstacles.** Accessories will cut/damage many materials.
- **Do not operate the tool without the guard in place. The guard must be attached properly during use.** Operating the tool without the guard will cause serious injury.
- **Do not use tool with a damaged broom.** Cracked or broken pieces can be thrown.
- **Do not operate the tool without the front handle in place. The front handle must be attached properly during use. Use both hands when operating the tool, according to the attachment instructions. Maintain a firm grip.** Using one hand could cause loss of control and result in serious injury.
- **Brace for unexpected movement when contact is made with a hard object.** Loss of control could result in serious injury.
- **Thrown objects may ricochet off of hard surfaces, such as walls, trees, and rocks and cause injury.** When possible, do cleaning by hand in closed in areas.
- **Always turn off the tool when transporting from one location to another.** Do not carry tool with finger on the trigger. Accidental starting can cause serious personal injury.
- **Do not immerse in water or spray with a hose. Do not clean with a pressure washer.** Water entering a power tool will increase the risk of electric shock. Store tool indoors.

- Always turn off the tool and then remove battery pack before changing or removing accessories.
- Always use common sense and be cautious when using tools. It is not possible to anticipate every situation that could result in a dangerous outcome. Do not use this tool if you do not understand these operating instructions or you feel the work is beyond your capability; contact Milwaukee Tool or a trained professional for additional information or training.
- Maintain labels and nameplates. These carry important information. If unreadable or missing, contact a MILWAUKEE service facility for a free replacement.

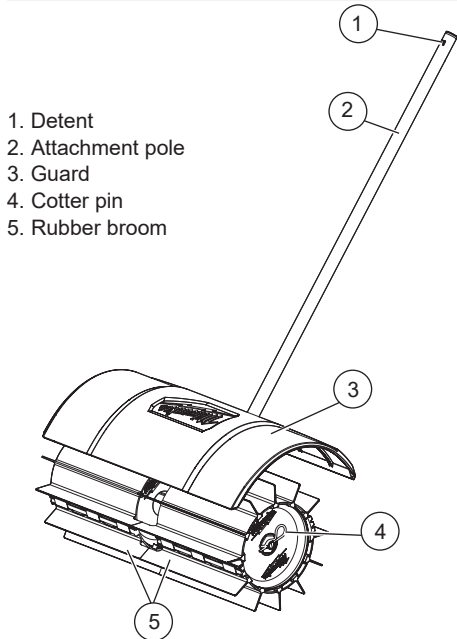
WARNING Some dust created by power sanding, sawing, grinding, drilling, and other construction activities contains chemicals known to cause cancer, birth defects or other reproductive harm. Some examples of these chemicals are:

- lead from lead-based paint
- crystalline silica from bricks and cement and other masonry products, and
- arsenic and chromium from chemically-treated lumber.

Your risk from these exposures varies, depending on how often you do this type of work. To reduce your exposure to these chemicals: work in a well ventilated area, and work with approved safety equipment, such as those dust masks that are specially designed to filter out microscopic particles.

READ AND SAVE ALL INSTRUCTIONS FOR FUTURE USE

FUNCTIONAL DESCRIPTION



1. Detent
2. Attachment pole
3. Guard
4. Cotter pin
5. Rubber broom

SPECIFICATIONS

Cat. No. 49-16-2740
 Power Head 2825-20
 Clearing Width 23"
 Rubber Broom Assembly Cat. No. 31-92-0027
 5 mm Hex Wrench Cat. No. 49-96-0012

SYMBOLGY

- Volts
- Direct Current
- Safety Alert Symbol
- Read operator's manual
- Always wear eye protection and use proper personal protective equipment.
- Wear slip-resistant footwear
- Wear protective gloves
- Beware of brush thrust
- Beware of thrown objects
- The distance between the machine and bystanders shall be at least 5 m (16 ft).
- UL Listing for Canada and U.S.

ASSEMBLY

WARNING Before use, read manual and labels of the power head. Important assembly and use instructions are provided in the power head manual. Connect the attachment to the power head in accordance with the power head manual.

Do not operate the tool without the guard in place. The guard must be attached properly during use. Operating the tool without the guard will cause serious injury.

Always remove battery pack before changing or removing accessories.

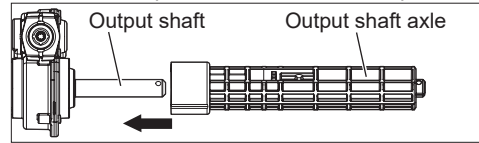
Do not use tool with a damaged broom. Cracked or broken pieces can be thrown.

Installing/Removing the Brooms

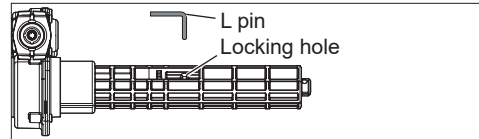
The rubber brooms are shipped uninstalled and must be installed before use.

To **install** the brooms:

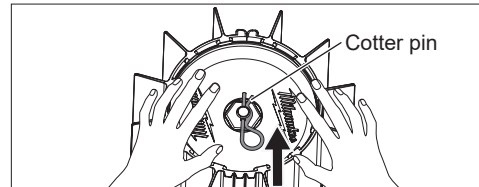
1. Remove battery pack.
2. Push the output shaft axle onto the output shaft.



3. Insert the L pin in the orientation shown into the locking hole of the output shaft until it is retained. This will secure the axle onto the shaft.



4. Repeat Steps 2-3 on the other output shaft axle.
5. Push the rubber broom onto the output shaft axle.
6. Insert the cotter pin onto the locking hole to secure the broom to the axle.



7. Repeat Steps 5-6 on the other output shaft axle.

To **remove** the brooms:

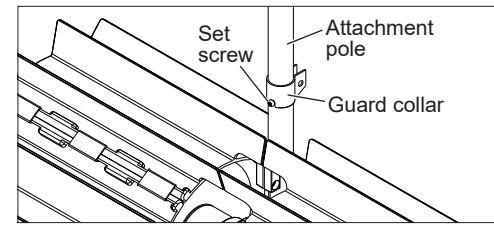
1. Remove battery pack.
2. Remove the cotter pin from the locking hole.
3. Remove the rubber broom from the output shaft axle.
4. Repeat Steps 2-3 on the other output shaft axle.

NOTE: To ensure an even application, both brooms should be replaced at the same time.

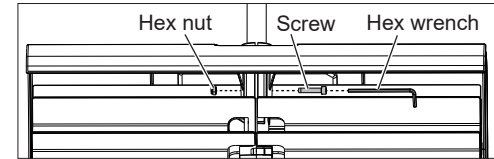
Installing the Guard

The guard is shipped uninstalled and must be installed before use.

1. Push the guard collar down the attachment pole until the collar locks in place against the set screw.



2. Push the guard down the attachment pole.
3. Line up the guard with the hole in the guard collar.
4. Put the hex nut in place, and then insert the screw through the guard and into the collar.
5. Tighten the screw securely using the included hex wrench.



Attaching the Shoulder Strap

(Available as an accessory. Cat. No. 49-16-2722)

WARNING Do not wear multiple shoulder straps simultaneously. When wearing a shoulder strap, ensure that no other wearable interferes with the release and removal of the strap.

When using this attachment with larger-capacity battery packs, use the shoulder strap to reduce user fatigue and help in maintaining control of the tool during use.

To **install** the strap:

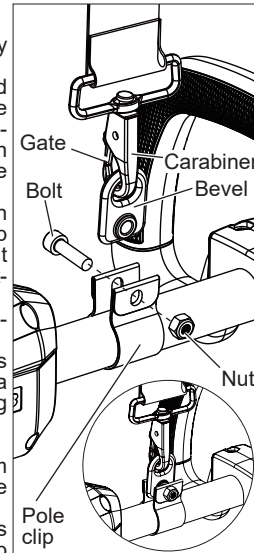
1. Remove the battery pack.
2. Fit the pole clip around the power head pole between the front handle and rear handle in a location comfortable during use.
3. Insert the bolt through the pole clip and strap bevel. Thread the nut onto the bolt and tighten securely.
4. Clip the strap carabiner to the bevel.
5. Adjust the pole clip as needed to ensure a comfortable operating level.

To **wear** the strap:

1. Put your right arm and head through the strap.
2. Adjust the strap clips to change the strap length to fit comfortably.
3. Slide the neck pad to the appropriate position.

To **unclip** the strap:

1. Hold the tool by the front handle with your left hand.
2. Grip the carabiner with your right hand and unclip by pushing in the gate and it sliding off the bevel.



OPERATION

⚠WARNING To reduce the risk of injury, always wear proper eye protection marked to comply with ANSI Z87.1.

Always remove battery pack before changing or removing accessories or attachments.

Do not operate the tool without the front handle in place. The front handle must be attached properly for use. Using one hand could cause loss of control and result in serious injury.

Do not operate the tool without the guard in place. The guard must be attached properly during use. Operating the tool without the guard will cause serious injury.

Use both hands when operating the tool. Maintain a firm grip. Using one hand could cause loss of control and result in serious injury.

Selecting the Speed

Use the speed control button on the power head to select Low or High speeds. Use low speed for larger jobs where extended battery life is needed. Use high speed for dense applications.



Operating the Attachment

1. Inspect the rubber broom for damage before use, such as thinning broom flaps. If damaged, do not use and replace the brooms.
2. Grasp the trigger handle with your right hand and the front handle with your left hand.
3. To **start** the tool, squeeze the lock-off lever and pull the trigger. **WARNING!** The tool pushes back towards the operator. Hold tool at a shallow angle to reduce risk of loss of control.
4. To **vary** the speed, increase or decrease the pressure on the trigger. The further the trigger is pulled, the greater the speed up to the maximum set by the speed control button.
5. Guide the broom forward, keeping it at a shallow angle to help prevent any push back towards the operator.



6. In the event of blockages, turn the tool off and remove the battery before clearing any debris.
7. To **stop** the tool release the trigger. Make sure the tool comes to a complete stop before laying the tool down.

APPLICATIONS

The rubber broom can be used for the following applications:

- Material movement on hard surfaces
- Grass maintenance

MAINTENANCE

⚠WARNING To reduce the risk of injury, always unplug the charger and remove the battery pack from the charger or tool before performing any maintenance. Never disassemble the tool, battery pack or charger. Contact a MILWAUKEE service facility for ALL repairs.

Maintaining Tool

Keep your tool, battery pack and charger in good repair by adopting a regular maintenance program. Inspect your tool for issues such as undue noise, misalignment or binding of moving parts, breakage of parts, or any other condition that may affect the tool operation. Return the tool, battery pack, and charger to a MILWAUKEE service facility for repair. After six months to one year, depending on use, return the tool, battery pack and charger to a MILWAUKEE service facility for inspection.

If the tool does not start or operate at full power with a fully charged battery pack, clean the contacts on the battery pack. If the tool still does not work properly, return the tool, charger and battery pack, to a MILWAUKEE service facility for repairs.

⚠WARNING Do not use tool with a damaged broom. Cracked or broken pieces can be thrown.

Always remove battery pack before changing or removing accessories.

Replacing the Brooms

(Available as a service part. Cat. No. 31-92-0027)
The brooms should be inspected before each use. If the broom flaps become thin or performance decreases, they should be replaced. For instructions on removing and installing the brooms, please see the "Installing/Removing the Brooms" section of this manual.

⚠WARNING To reduce the risk of personal injury and damage, never immerse your tool, battery pack or charger in liquid or allow a liquid to flow inside them.

Cleaning

Clean dust and debris from any vents. Keep tool clean, dry and free of oil or grease. Use only mild soap and a damp cloth to clean, since certain cleaning agents and solvents are harmful to plastics and other insulated parts. Some of these include gasoline, turpentine, lacquer thinner, paint thinner, chlorinated cleaning solvents, ammonia and household detergents containing ammonia. Never use flammable or combustible solvents around tools.

Repairs

For repairs, return the tool, battery pack and charger to the nearest authorized service center.

ACCESSORIES

⚠WARNING Use only recommended accessories. Others may be hazardous.
For a complete listing of accessories, go online to www.milwaukeetool.com or contact a distributor.

SERVICE - UNITED STATES

1-800-SAWDUST (1.800.729.3878)

Monday-Friday, 7:00 AM - 6:30 PM CST
or visit www.milwaukeetool.com

Contact Corporate After Sales Service Technical Support with technical, service/repair, or warranty questions.

Email: metproductsupport@milwaukeetool.com

Become a Heavy Duty Club Member at www.milwaukeetool.com to receive important notifications regarding your tool purchases.

SERVICE - CANADA

Milwaukee Tool (Canada) Ltd
1.800.268.4015

Monday-Friday, 7:00 AM - 4:30 PM CST
or visit www.milwaukeetool.ca

LIMITED WARRANTY USA & CANADA

Every MILWAUKEE Outdoor Power Equipment Product* (see exceptions below) is warranted to the original purchaser only to be free from defects in material and workmanship. Subject to certain exceptions, MILWAUKEE will repair or replace any part on an outdoor power equipment product which, after examination, is determined by MILWAUKEE to be defective in material or workmanship for a period of three (3) years** after the date of purchase unless otherwise noted. Return of the outdoor power equipment to a MILWAUKEE factory Service Center location or participating MILWAUKEE Authorized Service Station, freight prepaid and insured, is required. A copy of the proof of purchase should be included with the return product. This warranty does not apply to damage that MILWAUKEE determines to be from repairs made or attempted by anyone other than MILWAUKEE authorized personnel, misuse, alterations, abuse, normal wear and tear, lack of maintenance, or accidents.

Normal Wear: Many outdoor power equipment products need periodic parts replacement and service to achieve best performance. This warranty does not cover repair when normal use has exhausted the life of a part including, but not limited to trimmer head, trimmer head spool, cutting lines, blades, chains, blower tubes, brushes, o-rings, and seals. *This warranty does not cover Cordless Battery Packs or Reconditioned Product. There are separate and distinct warranties available for these products.

**The warranty period for SWITCH TANK™ tank assemblies, hoses, handles, and wands are one (1) year from the date of purchase. MILWAUKEE does not cover freight or labor charges associated with the inspection and testing of outdoor power equipment products which are found by MILWAUKEE not to be a valid warranty claim. A valid warranty claim must be substantiated by the discovery of defective material or workmanship by MILWAUKEE.

ACCEPTANCE OF THE EXCLUSIVE REPAIR AND REPLACEMENT REMEDIES DESCRIBED HEREIN IS A CONDITION OF THE CONTRACT FOR THE PURCHASE OF EVERY MILWAUKEE PRODUCT. IF YOU DO NOT AGREE TO THIS CONDITION, YOU SHOULD NOT PURCHASE THE PRODUCT. IN NO EVENT SHALL MILWAUKEE BE LIABLE FOR ANY INCIDENTAL, SPECIAL, CONSEQUENTIAL OR PUNITIVE DAMAGES, OR FOR ANY COSTS, ATTORNEY FEES, EXPENSES, LOSSES OR DELAYS ALLEGED TO BE AS A CONSEQUENCE OF ANY DAMAGE TO, FAILURE OF, OR DEFECT IN ANY PRODUCT INCLUDING, BUT NOT LIMITED TO, ANY CLAIMS FOR LOSS OF PROFITS. SOME STATES DO NOT ALLOW THE EXCLUSION OR LIMITATION OF INCIDENTAL OR CONSEQUENTIAL DAMAGES, SO THE ABOVE LIMITATION OR EXCLUSION MAY NOT APPLY TO YOU. THIS WARRANTY IS EXCLUSIVE AND IN LIEU OF ALL OTHER EXPRESS WARRANTIES, WRITTEN OR ORAL. TO THE EXTENT PERMITTED BY LAW, MILWAUKEE DISCLAIMS ANY IMPLIED WARRANTIES, INCLUDING WITHOUT LIMITATION ANY IMPLIED WARRANTY OF MERCHANTABILITY OR FITNESS FOR A PARTICULAR USE OR PURPOSE; TO THE EXTENT SUCH DISCLAIMER IS NOT PERMITTED BY LAW, SUCH IMPLIED WARRANTIES ARE LIMITED TO THE DURATION OF THE APPLICABLE EXPRESS WARRANTY AS DESCRIBED ABOVE. SOME STATES DO NOT ALLOW LIMITATIONS ON HOW LONG AN IMPLIED WARRANTY LASTS, SO THE ABOVE LIMITATION MAY NOT APPLY TO YOU. THIS WARRANTY GIVES YOU SPECIFIC LEGAL RIGHTS, AND YOU MAY ALSO HAVE OTHER RIGHTS WHICH VARY FROM STATE TO STATE.

This warranty applies to product sold in the U.S.A. and Canada only. Please consult the 'Service Center Search' in the Parts & Service section of MILWAUKEE's website www.milwaukeetool.com or call 1.800.SAWDUST (1.800.729.3878) to locate your nearest service facility for warranty and non-warranty service on a Milwaukee electric power tool.

RÈGLES DE SÉCURITÉ GÉNÉRALES RELATIVES AUX OUTILS ÉLECTRIQUES

⚠AVERTISSEMENT Lire toutes les consignes de sécurité, consignes, illustrations et spécifications fournies avec cet outil électrique. Ne pas suivre l'ensemble des règles et instructions peut entraîner une électrocution, un incendie ou des blessures graves. Conserver les règles et les instructions à des fins de référence ultérieure. Le terme «outil électrique» figurant dans les avertissements ci-dessous renvoie à l'outil électrique à alimentation par le réseau (à cordon) ou par batterie (sans fil).

SÉCURITÉ DU LIEU DE TRAVAIL

- Veillez à ce que l'aire de travail soit propre et bien éclairée. Le désordre et le manque de lumière favorisent les accidents.
- Ne pas utiliser d'outils électriques dans des atmosphères explosives, par exemple en présence de liquides, gaz ou poussières inflammables. Les outils électriques produisent des étincelles risquant d'enflammer les poussières ou vapeurs.
- S'assurer que les enfants et les curieux se trouvent à une bonne distance au moment d'utiliser un outil électrique. Les distractions peuvent causer une perte de contrôle.

SÉCURITÉ ÉLECTRIQUE

- Les fiches des outils électriques doivent correspondre à la prise secteur utilisée. Ne jamais modifier la fiche, de quelque façon que ce soit. Ne jamais utiliser d'adaptateurs de fiche avec des outils mis à la terre. Les fiches et prises non modifiées réduisent le risque de choc électrique.
- Éviter tout contact avec des surfaces mises à la terre comme des tuyaux, des radiateurs, des cuisinières et des réfrigérateurs. Le risque de choc électrique est accru lorsque le corps est mis à la terre.
- Ne pas exposer les outils électriques à l'eau ou l'humidité. La pénétration d'eau dans ces outils accroît le risque de choc électrique.
- Ne pas maltraiter le cordon d'alimentation. Ne jamais utiliser le cordon d'alimentation pour transporter l'outil électrique et ne jamais débrancher ce dernier en tirant sur le cordon. Garder le cordon à l'écart de la chaleur, de l'huile, des objets tranchants et des pièces en mouvement. Un cordon endommagé ou emmêlé accroît le risque de choc électrique.
- Pour les travaux à l'extérieur, utiliser un cordon spécialement conçu à cet effet. Utiliser un cordon conçu pour l'usage extérieur réduit les risques de choc électrique.
- Si l'utilisation d'un outil électrique est inévitable dans un endroit humide, utiliser une source d'alimentation munie d'un disjoncteur de fuite de terre. L'utilisation d'un disjoncteur de fuite de terre réduit le risque de choc électrique.

SÉCURITÉ INDIVIDUELLE

- Rester attentif, prêter attention au travail et faire preuve de bon sens lors de l'utilisation de tout outil électrique. Ne pas utiliser cet appareil en cas de fatigue ou sous l'influence de l'alcool, de drogues ou de médicaments. Un moment d'inattention pendant l'utilisation d'un outil électrique peut entraîner des blessures graves.

- **Porter l'équipement de protection individuel requis. Toujours porter une protection oculaire.** Selon les conditions, porter aussi un masque anti-poussières, des bottes de sécurité antidérapantes, un casque protecteur ou une protection auditive afin de réduire les blessures.
- **Empêcher les démarrages accidentels. S'assurer que la gâchette est en position d'arrêt avant de brancher l'outil à une source de courant, d'insérer la batterie, de le ramasser ou de le transporter.** Le fait de transporter un outil électrique en gardant le doigt sur la gâchette ou de mettre sous tension un outil électrique lorsque la gâchette est en position de marche favorise les accidents.
- **Retirer les clés de réglage avant de mettre l'outil en marche.** Une clé laissée sur une pièce rotative de l'outil peut causer des blessures.
- **Ne pas travailler hors de portée. Toujours se tenir bien campé et en équilibre.** Une bonne stabilité procure un meilleur contrôle de l'outil électrique en cas d'imprévu.
- **Porter une tenue appropriée. Ne porter ni vêtements amples, ni bijoux. Garder les cheveux et les vêtements à l'écart des pièces en mouvement.** Les vêtements flottants, les bijoux ou les cheveux longs risquent d'être happés par les pièces en mouvement.
- **Si les outils sont équipés de dispositifs de débossiérage, s'assurer qu'ils sont connectés et correctement utilisés.** L'utilisation d'un collecteur de poussière permet de réduire les dangers liés à la poussière.
- **Ne pas laisser la familiarité avec l'outil acquise par une utilisation fréquente vous rendre suffisant et vous amener à ignorer les règles de sécurité.** Une utilisation négligée peut causer une blessure grave en une fraction de seconde.

UTILISATION ET ENTRETIEN DE L'OUTIL ÉLECTRIQUE

- **Ne pas forcer l'outil électrique. Utiliser l'outil électrique approprié pour l'application.** Un outil électrique approprié exécutera le travail mieux et de façon moins dangereuse s'il est utilisé dans les limites prévues.
- **Ne pas utiliser l'outil électrique si le commutateur ne permet pas de le mettre en marche ou de l'arrêter.** Tout outil électrique qui ne peut pas être contrôlé par son commutateur est dangereux et doit être réparé.
- **Débrancher l'outil et/ou retirer le bloc-piles, si possible, avant d'effectuer des réglages, de changer d'accessoire ou de remettre l'outil.** Ces mesures de sécurité préventives réduisent les risques de démarrage accidentel de l'outil.
- **Entreposer l'outil électrique hors de la portée des enfants et interdire à quiconque de l'utiliser si la personne ne connaît pas bien le produit ou les instructions.** Les outils électriques sont dangereux dans les mains d'utilisateurs novices.
- **Entretenir les outils électriques et les accessoires. Vérifier qu'aucune pièce mobile n'est mal alignée ou bloquée, qu'aucune pièce n'est brisée et s'assurer qu'aucun autre problème risque d'affecter le bon fonctionnement de l'outil. En cas de dommages, faire réparer l'outil avant de l'utiliser.** Plusieurs accidents sont causés par des produits mal entretenus.

- **Garder les outils bien affûtés et propres.** Des outils correctement entretenus et dont les tranchants sont bien affûtés risquent moins de se bloquer et sont plus faciles à contrôler.
- **Utiliser l'outil électrique, les accessoires, les embouts etc. conformément à ces instructions en tenant compte des conditions de travail et de la tâche à effectuer.** L'usage d'un outil électrique pour des applications pour lesquelles il n'est pas conçu peut être dangereux.
- **Garder les poignées et les surfaces de préhension sèches, propres et exemptes d'huile ou de graisse.** Des poignées et des surfaces de préhension glissantes ne permettent pas de manipuler et de contrôler l'outil en toute sécurité en cas de situation imprévue.

UTILISATION ET ENTRETIEN DE LA BATTERIE

- **Pour recharger le bloc-piles, utiliser seulement le chargeur spécifié par le fabricant.** Un chargeur pouvant convenir à un type de bloc-piles peut entraîner un risque d'incendie lorsqu'il est utilisé avec un autre type de bloc-piles.
- **N'utiliser l'outil électrique qu'avec une batterie recommandée.** L'utilisation de tout autre bloc-piles peut créer un risque de blessures et d'incendie.
- **Lorsque le bloc-piles n'est pas utilisé, le tenir éloigné des objets en métal tels que les trombones, les pièces de monnaie, les clés, les clous, les vis ou d'autres petits objets métalliques qui pourraient connecter les bornes.** Le court-circuitage des bornes d'une pile peut entraîner des brûlures ou un incendie.
- **Éviter tout contact avec le liquide pouvant être éjecté de la pile en cas de manutention abusive. En cas de contact accidentel, rincer immédiatement les parties atteintes avec de l'eau. Si le liquide entre en contact avec les yeux, consulter un médecin.** Le liquide éjecté des piles peut causer des irritations ou des brûlures.
- **N'utiliser aucun bloc-piles ni aucun outil ayant été endommagé ou modifié.** Des piles endommagées ou modifiées peuvent adopter un comportement imprévisible pouvant causer un incendie, une explosion ou le risque de blessures.
- **Ne pas exposer le bloc-piles ou l'outil aux flammes ou à une température excessive.** Une exposition aux flammes ou à une température supérieure à 130°C (265°F) peut causer une explosion.
- **Suivre toutes les instructions de charge et ne pas charger le bloc-piles ou l'outil en dehors de la plage de température spécifiée.** Une charge incorrecte ou à des températures en dehors de la plage spécifiée peut endommager la pile et augmenter le risque d'incendie.

ENTRETIEN

- **Les réparations de l'outil électrique doivent être confiées à un technicien qualifié, utilisant exclusivement des pièces identiques à celles d'origine.** Le maintien de la sûreté de l'outil électrique sera ainsi assuré.
- **Ne jamais effectuer la réparation d'un bloc-piles endommagé.** La réparation du bloc-piles doit être réalisée par le fabricant ou les fournisseurs de service agréés uniquement.

RÈGLES DE SÉCURITÉ SPÉCIFIQUES POUR BALAIS EN CAOUTCHOUC

- **Veillez lire ce manuel, ainsi que tous les manuels et les étiquettes de cet outil et son bloc moteur, avant de les utiliser. Ne pas suivre les avertissements et les instructions pourra entraîner des blessures graves. Utiliser exclusivement l'outil selon les instructions de ce manuel. Utiliser uniquement les accessoires recommandés par MILWAUKEE.**
- **Ne pas utiliser la machine par mauvais temps, particulièrement s'il y a un risque de éclairs.** Ceci minimisera les probabilités d'être touché par la foudre.
- **Examiner soigneusement l'espace où la machine sera utilisée à la recherche des animaux.** La machine en action pourra blesser les animaux.
- **Examiner soigneusement l'espace où la machine sera utilisée et constater qu'elle est totalement dépourvue des pierres, des bâtons, des câbles, des os et tout autre objet étranger.** Les objets projetés peuvent infliger des blessures physiques.
- **Porter une pièce d'équipement de protection pour les yeux, les oreilles, et les mains.** Le port d'un équipement de protection adéquat minimisera le risque de blessures physiques à cause des débris volants ou d'un contact accidentel avec la lame ou la ligne de coupe.
- **Lors de l'utilisation de la machine, toujours porter des chaussures de sécurité. Ne pas utiliser la machine si vous êtes pieds nus ou si vous portez des sandales.** Cela réduit les risques de blessures aux pieds en cas de contact avec un balai en mouvement.
- **Lors de l'utilisation de la machine, toujours porter un pantalon long.** La peau nue est plus susceptible à être touchée par des objets volants.
- **Ne laisser personne s'approche lors de l'utilisation de la machine.** Les débris volants pourront causer des blessures physiques graves.
- **Toujours travailler à ses deux mains lors de l'utilisation de la machine.** Tenir la machine des deux mains évitera qu'une perte de contrôle ne survienne.
- **Toujours se tenir bien campé et utiliser uniquement la machine lorsque vous êtes sur terre.** Les surfaces glissantes et instables pourront causer une perte d'équilibre ou de contrôle de la machine.
- **Lorsque des travaux sont faits sur des pentes, toujours se tenir bien campé et travailler sur les pentes de façon transversale, pas en allant en haut ou en bas, et faire preuve d'une très grande prudence lors d'un changement de direction.** Ceci réduira le risque de perte de contrôle, des glissements et des chutes, ce qui résulte en des blessures physiques.
- **Gardez toutes les parties du corps éloignées du balai lorsque la machine est en marche. Avant de démarrer la machine, assurez-vous que le balai n'est en contact avec rien.** Un moment d'inattention pendant l'utilisation de la machine peut entraîner des blessures graves à soi-même ou aux autres.
- **Gardez le contrôle de la machine et ne touchez pas le balai et autres pièces mobiles dangereuses lorsqu'ils sont encore en mouvement.** Ceci réduira le risque de blessures causées par les pièces mobiles.
- **Transporter la machine en tenant le commutateur en position d'arrêt et loin de votre corps.** Une ma-

- nipulation correcte de la machine réduira la probabilité de contact accidentel avec un balai en mouvement.
- **N'utilisez que des balais de rechange spécifiés par le fabricant.** Des pièces de rechange incorrectes pourront accroître le risque de cassage et de blessure.
- **Ne pas utiliser une extension avec cet accessoire d'outil. La longueur supplémentaire fera qu'il soit difficile de contrôler l'accessoire et provoquera des blessures.**
- **Lors de l'utilisation de cet accessoire avec des blocs-piles de majeure capacité, utiliser la bandoulière afin de minimiser la fatigue de l'utilisateur et vous aider à maintenir le contrôle durant l'utilisation.**
- **Ne pas porter plusieurs bandoulières en même temps. Lorsque vous portez une bandoulière, constater qu'aucun autre élément portable ne risque d'empêcher la libération et l'enlèvement de la bandoulière.**
- **Ne pas utiliser cet outil auprès d'éléments qui brûlent ou qui fument** comme des cigarettes, des allumettes ou des cendres chaudes.
- **Afin de minimiser les risques pour la santé provoqués par les vapeurs ou la poussière, ne pas utiliser cet outil auprès de matériaux toxiques, cancérigène ou dangereux pour l'outil, tels que l'amiante, l'arsénique, le baryum, le plomb, les pesticides et d'autres matériaux nuisibles à la santé.**
- **Prendre du soin lorsque vous utilisez l'outil auprès de plantes décoratives ainsi que d'autres obstacles.** Les accessoires couperont / endommageront beaucoup de matériaux.
- **Ne pas utiliser l'outil sans avoir d'abord mis la garde en place. Il faut bien mettre la garde en place durant l'utilisation.** L'utilisation de l'outil sans garde causera des blessures graves.
- **N'utilisez pas d'outil avec un balai endommagé.** Des pièces fissurées ou cassées pourront être projetées.
- **Ne pas utiliser l'outil sans la poignée avant. Il faut bien mettre la poignée avant en place durant l'utilisation. Utiliser l'outil à ses deux mains, selon les instructions de l'accessoire. Maintenir une prise ferme.** La perte de contrôle pourra survenir à cause d'une utilisation à une main, ce qui causera aussi des blessures graves.
- **Se tenir fortement lorsqu'un mouvement imprévu se produit à l'occasion du contact avec un objet dur.** La perte de contrôle peut entraîner des blessures graves.
- **Les objets lancés pourront être projetés et rebondir sur des surfaces durs, tels que les murs, les arbres et les pierres, en provoquant des lésions.** Faire l'élagage à main dans des espaces clos.
- **Toujours éteindre l'outil lors de sa transportation d'un espace à un autre.** Ne pas amener l'outil avec le doigt mis sur la gâchette. Le démarrage accidentel peut causer des blessures graves.
- **Ne pas immerger dans l'eau ni vaporiser avec un tuyau. Ne pas nettoyer à l'eau sous pression.** La pénétration d'eau dans ces outils accroît le risque de choc électrique. Entreposer l'outil à l'intérieur.
- **Toujours éteindre l'outil et après, retirer le bloc-piles avant de changer ou enlever les accessoires.**
- **Toujours faire preuve de bons sens et procéder avec prudence lors de l'utilisation d'outils.** C'est impossible de prévoir toutes les situations dont le résultat est dangereux. Ne pas utiliser cet outil si vous

ne comprenez pas ces instructions d'opération ou si vous pensez que le travail dépasse votre capacité ; veuillez contacter Milwaukee Tool ou un professionnel formé pour recevoir plus d'information ou formation.

Maintenir en l'état les étiquettes et les plaques d'identification. Des informations importantes y figurent. Si elles sont illisibles ou manquantes, contacter un centre de services et d'entretien MILWAUKEE pour un remplacement gratuit.

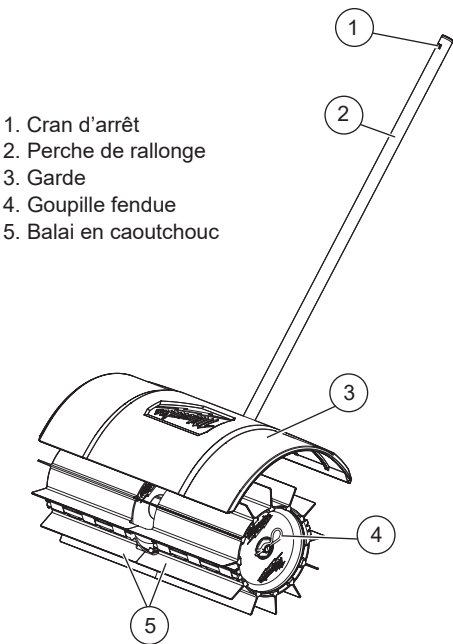
AVERTISSEMENT Certaines poussières générées par les activités de ponçage, de coupe, de rectification, de perçage et d'autres activités de construction contiennent des substances considérées être la cause de malformations congénitales et de troubles de l'appareil reproducteur. Parmi ces substances figurent :

- le plomb contenu dans les peintures à base de plomb ;
- la silice cristalline des briques, du ciment et d'autres matériaux de maçonnerie, ainsi que
- l'arsenic et le chrome des sciages traités chimiquement.

Les risques encourus par l'opérateur envers ces expositions varient en fonction de la fréquence de ce type de travail. Pour réduire l'exposition à ces substances chimiques, l'opérateur doit : travailler dans une zone bien ventilée et porter l'équipement de sécurité approprié, tel qu'un masque anti-poussière spécialement conçu pour filtrer les particules microscopiques.

LIRE ET CONSERVER TOUTES LES INSTRUCTIONS POUR UTILISATION ULTÉRIEURE

DESCRIPTION FONCTIONNELLE



1. Cran d'arrêt
2. Perche de rallonge
3. Garde
4. Goupille fendue
5. Balai en caoutchouc

PICTOGRAPHIE



UL Listing Mark pour Canada et États-unis

SPÉCIFICATIONS

No de Cat.	49-16-2740
Bloc-moteur	2825-20
Largeur de balayage.....	585 mm (23")
No. de cat. d'assemblage de balais en caoutchouc	31-92-0027
No. de cat. de clé hexagonale de 5 mm.....	49-96-0012

MONTAGE DE L'OUTIL

AVERTISSEMENT Avant d'utiliser le bloc-moteur, veiller à lire son manuel et ses étiquettes. D'importantes instructions d'assemblage et d'utilisation figurent dans le manuel du bloc-moteur. Relier l'accessoire au bloc-moteur d'après le manuel du bloc-moteur.

Ne pas utiliser l'outil sans la garde et la ceinture de contention. Il faut bien attacher la garde et la ceinture de contention durant l'utilisation. L'utilisation de l'outil sans garde et ceinture causera des blessures graves.

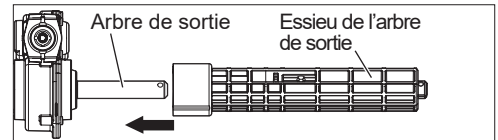
Toujours retirer le bloc-piles avant de changer ou d'enlever les accessoires.

Ne pas utiliser cet outil si le balai est endommagé. Des pièces fissurées ou cassées pourront être projetées.

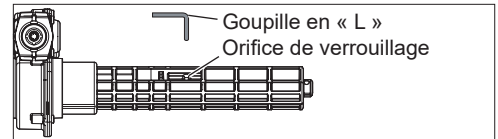
Installation / enlèvement des balais

Les balais en caoutchouc sont livrés sans les avoir mis en place et devront être mis avant toute utilisation. Pour installer les balais :

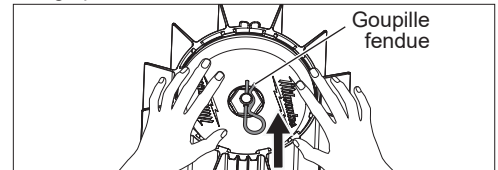
1. Retirer le bloc-piles.
2. Pousser l'essieu de l'arbre de sortie dans l'arbre de sortie.



3. Insérer la goupille en « L » dans le sens indiqué dans l'orifice de verrouillage de l'arbre de sortie jusqu'à ce qu'elle soit retenue. Cela fixera l'essieu sur l'arbre.



4. Répéter les étapes 2 et 3 sur l'autre essieu d'arbre de sortie.
5. Pousser le balai en caoutchouc sur l'essieu de l'arbre de sortie.
6. Insérer la goupille fendue dans l'orifice de verrouillage pour fixer le balai dans l'essieu.



7. Répéter les étapes 5 et 6 sur l'autre essieu d'arbre de sortie.

Pour retirer les balais :

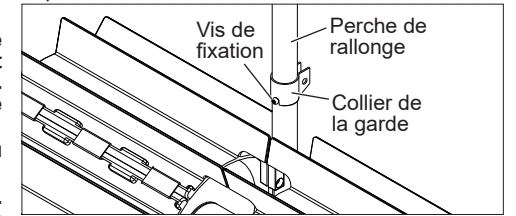
1. Retirer le bloc-piles.
2. Retirer la goupille fendue de l'orifice de verrouillage.
3. Retirer le balai en caoutchouc de l'essieu de l'arbre de sortie.
4. Répéter les étapes 2 et 3 sur l'autre essieu d'arbre de sortie.

REMARQUE : Pour garantir qu'il y ait une application uniforme, les deux balais devront être remplacés en même temps.

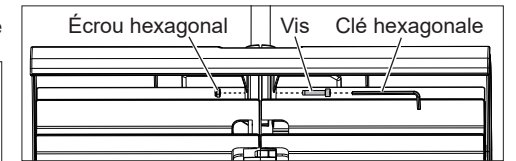
Installation de la garde

La garde est livrée sans l'avoir mise en place et doit être mise avant toute utilisation.

1. Pousser le collier de la garde dans la perche de rallonge jusqu'à ce que le collier soit verrouillé en place contre la vis de fixation.



2. Pousser la garde dans la perche de rallonge.
3. Aligner la garde avec l'orifice dans le collier de la garde.
4. Mettre l'écrou hexagonal et ensuite, insérer la vis à travers de la garde et dans le collier.
5. Visser fermement la vis à l'aide de la clé hexagonale fournie.



Installation de la bandoulière

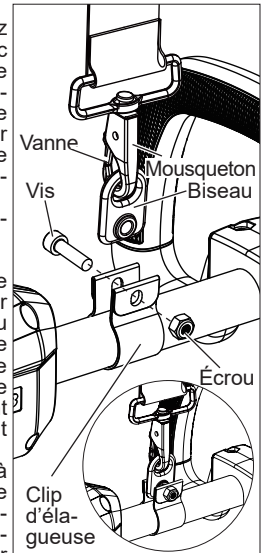
(Disponible en tant qu'accessoire.

No. de Cat. 49-16-2722)

AVERTISSEMENT Ne pas porter plusieurs bandoulières en même temps. Lorsque vous portez une bandoulière, constater qu'aucun autre élément ne risque d'empêcher la libération et l'enlèvement de la bandoulière.

Lorsque vous utilisez cette pièce jointe avec des blocs-piles de grande capacité, utilisez la sangle d'épaule pour réduire la fatigue de l'utilisateur et aider à maintenir le contrôle de l'outil pendant l'utilisation. Pour installer la bandoulière :

1. Retirer le bloc-piles.
2. Convenir le clip de l'élagueuse autour de l'élagueuse du bloc moteur entre la poignée latérale et la poignée arrière dans un emplacement confortable durant l'utilisation.
3. Insérer le boulon à travers du clip de l'élagueuse et le biseau de la bandoulière. Visser l'écrou sur le boulon et le serrer fermement.
4. Attacher le clip du mousqueton de la bandoulière dans le biseau.



5. Ajuster le clip de la perche au besoin pour s'assurer que la lame se rend à niveau d'opération. Pour **porter** la bandoulière :

1. Faire passer le bras droit et la tête en dessous de la bandoulière.
 2. Ajuster les clips de la bandoulière pour changer sa longueur à une position convenable et confortable.
 3. Glisser la nuquière vers la position appropriée.
- Pour **détacher** la bandoulière :

1. Tenir l'outil par la poignée avant avec votre main gauche.
2. Tenir le mousqueton avec la main droite et détacher le clip en appuyant sur la vanne et en le glissant dehors du biseau.

MANIEMENT

AVERTISSEMENT Afin de minimiser le risque de blessures, toujours porter la protection oculaire appropriée certifiée conforme à la norme ANSI Z87.1.

Toujours retirer le bloc-piles avant de changer ou enlever les accessoires.

Ne pas opérer l'outil sans avoir premièrement installée la poignée avant. Il faut bien installer la poignée avant pour l'utilisation. L'utilisation à une main pourra causer la perte de contrôle et des lésions graves pourront survenir.

Ne pas utiliser l'outil sans la garde. Il faut bien attacher la garde et la ceinture de contention durant l'utilisation. L'utilisation de l'outil sans garde et ceinture de contention causera des blessures graves.

Utiliser les deux mains lors de l'opération de l'outil. Maintenir une prise ferme. L'utilisation à une main pourra causer la perte de contrôle et des lésions graves pourront survenir.

Sélection de la vitesse

Utiliser le bouton de commande de vitesse en le bloc-moteur pour sélectionner les vitesses hautes et faibles. Utiliser une vitesse faible pour des opérations plus grandes où une vie étendue de la batterie soit nécessaire. Utiliser une haute vitesse pour des opérations des herbes denses.



Utilisation de l'accessoire

1. Vérifier que le balai en caoutchouc n'est pas endommagé avant de l'utiliser, comme des volets plus minces. Si endommagé, ne pas utiliser et le remplacer.
2. Tenir la poignée à gâchette à la main droite et la poignée avant à la main gauche afin de bien vous aligner derrière la garde et loin du sens de coupe.
3. Pour **démarrer** l'outil, tirer sur le levier de verrouillage et appuyer sur la gâchette.
AVERTISSEMENT ! L'outil recule vers l'opérateur. Tenez l'outil à un angle faible pour réduire le risque de perte de contrôle.
4. Pour **changer** la vitesse, augmenter ou réduire la pression exercée sur la gâchette. Plus la gâchette est enfoncée, plus la vitesse est grande, jusqu'à la vitesse maximale réglée sur le bouton de commande de vitesse.
5. Guider le balai vers l'avant, en le tenant d'un petit angle qui servira à prévenir tout rebondissement contre l'utilisateur.



6. En cas de blocage, éteignez l'outil et retirez la batterie avant de nettoyer les débris.
7. Pour **arrêter** l'outil, relâcher la gâchette. S'assurer que l'outil est complètement arrêté avant de le déposer.

APPLICATIONS

Le balai en caoutchouc peut être utilisé pour les applications suivantes :

- Déplacement de matériau sur des surfaces dures
- Entretien d'espaces verts

ENTRETIEN

AVERTISSEMENT Pour minimiser les risques de blessures corporelles, débranchez le chargeur et retirez la batterie du chargeur ou de l'outil avant d'y effectuer des travaux d'entretien. Ne démontez jamais l'outil, la batterie ou le chargeur. Pour toute réparation, consultez un centre de service MILWAUKEE accrédité.

Entretien de l'outil

Gardez l'outil en bon état en adoptant un programme d'entretien ponctuel. Inspectez votre outil pour des questions telles que le bruit excessif, de grippage des pièces mobiles, de pièces cassées ou toute autre condition qui peut affecter le fonctionnement de l'outil. Retournez votre outil à un centre de service MILWAUKEE accrédité pour obtenir le service. Après une période pouvant aller de 6 mois à un an, selon l'usage, retournez votre outil à un centre de service MILWAUKEE accrédité pour d'inspection. Si l'outil ne démarre pas ou ne fonctionne pas à pleine puissance alors qu'il est branché sur une batterie complètement chargée, nettoyez les points de contact entre la batterie et l'outil. Si l'outil ne fonctionne toujours pas correctement, renvoyez l'outil, le chargeur et la batterie à un centre de service MILWAUKEE accrédité.

AVERTISSEMENT Ne pas utiliser de lames émoussées ou endommagées. Des lames émoussées ou endommagées accroîtront le risque de blocage ou de prise d'un objet, ce qui résultera en un ricochet de la lame.

Remplacement des balais

(Disponible en tant que pièce de rechange.
No. de cat. 31-92-0027)

Il faut examiner les balais avant chaque utilisation. Si les volets de balais deviennent trop fins ou le fonctionnement est réduit, il faudra les remplacer. Veuillez vous reporter à la section « Installation / enlèvement des balais » dans ce manuel pour en savoir plus sur les instructions concernant l'installation et le retrait des balais.

AVERTISSEMENT Pour minimiser les risques de blessures ou de dommages à l'outil, n'immergez jamais l'outil, la batterie ou le chargeur et ne laissez pas de liquide s'y infiltrer.

Nettoyage

Débarrassez les tous événements des débris et de la poussière. Gardez les outil propres, à sec et exempts d'huile ou de graisse. Le nettoyage doit se faire avec un linge humide et un savon doux. Certains nettoyants tels l'essence, la térébenthine, les diluants à laque ou à peinture, les solvants chlorés, l'ammoniaque et les détergents d'usage domestique qui en contiennent pourraient détériorer le plastique et l'isolation des pièces. Ne laissez jamais de solvants inflammables ou combustibles auprès des outils.

Réparations

Pour les réparations, retournez outil, batterie et chargeur en entier au centre-service autorisé le plus près.

ACCESSOIRES

AVERTISSEMENT L'utilisation d'autres accessoires que ceux qui sont spécifiquement recommandés pour cet outil peut comporter des risques.

Pour une liste complète des accessoires, visiter le site internet www.milwaukeetool.com ou contactez un distributeur.

SERVICE - CANADA

Milwaukee Tool (Canada) Ltd
1.800.268.4015
Monday-Friday, 7:00 AM - 4:30 PM CST
www.milwaukeetool.ca

GARANTIE LIMITÉE - AUX ÉTATS-UNIS ET AU CANADA

Chaque équipement électrique d'extérieur* de MILWAUKEE (voir exceptions ci-dessous) est garanti à l'acheteur d'origine uniquement pour être exempt de vices de matériaux et de fabrication. Sous réserve de certaines exceptions, MILWAUKEE réparera ou remplacera toute pièce d'un équipement électrique d'extérieur qui, après examen par MILWAUKEE, s'est avéré être affecté d'un vice de matériau ou de fabrication et ce pendant une période de trois (3) ans** à compter de la date d'achat, sauf indication contraire. Retourner l'équipement électrique d'extérieur, à un centre de réparations en usine MILWAUKEE ou à un poste d'entretien agréé MILWAUKEE, en port prépayé et assuré. Une copie de la preuve d'achat doit être présentée avec le produit retourné. Cette garantie ne couvre pas les dommages que MILWAUKEE détermine être causés par des réparations ou des tentatives de réparation par quiconque autre que le personnel agréé par MILWAUKEE, ou par des utilisations incorrectes, des altérations, des utilisations abusives, une usure normale, une carence d'entretien ou des accidents.

Usure normale : Plusieurs équipements électriques d'extérieur requièrent un remplacement et un entretien périodique de leurs pièces pour un meilleur rendement. Cette garantie ne couvre pas la réparation des pièces due à l'utilisation normale de l'outil, y compris, mais sans s'y limiter, la tête de coupe, la bobine, les fils de coupe, les lames, les fils, les chaînes, les tubes de soufflage, les joints toriques, et les joints.

* Cette garantie ne s'applique pas aux blocs-piles sans fil ou au produit résiné. Il existe des garanties séparées distinctes pour ces produits.

** Les ensembles de réservoir, les flexibles, les poignées et les rallonges SWITCH TANK™ sont garanties un (1) an à compter de la date d'achat. MILWAUKEE n'assume aucun frais de transport ou de main d'œuvre liés à l'inspection et à la vérification des équipements électriques d'extérieur qui, de l'avis de MILWAUKEE, ne donnent pas droit à une réclamation au titre de la garantie. Pour être admissible, une réclamation au titre de la garantie doit être justifiée par un vice du matériau ou de fabrication découvert par MILWAUKEE.

L'ACCEPTATION DES RECOURS EXCLUSIFS DE RÉPARATION ET DE REMPLACEMENT DÉCRITS DANS LES PRÉSENTES EST UNE CONDITION DU CONTRAT D'ACHAT DE TOUT PRODUIT MILWAUKEE. SI VOUS N'ACCEPTÉZ PAS CETTE CONDITION, VOUS NE DEVEZ PAS ACHETER LE PRODUIT. EN AUCUN CAS, MILWAUKEE NE SAURAIT ÊTRE RESPONSABLE DE TOUT DOMMAGE ACCESSOIRE, SPÉCIAL OU INDIRECT, DE DOMMAGES-INTÉRÊTS PUNITIFS OU DE TOUTE DÉPENSE, D'HONORAIRES D'AVOCATS, DE FRAIS, DE PERTE OU DE DÉLAIS ACCESSOIRES À TOUT DOMMAGE, DÉFAILLANCE OU DÉFAUT DE TOUT PRODUIT, Y COMPRIS NOTAMMENT LES PERTES DE PROFIT. CERTAINS ÉTATS ET PROVINCES NE PERMETTANT L'EXCLUSION OU LA LIMITATION DES DOMMAGES DIRECTS OU INDIRECTS, LES RESTRICTIONS CI-DESSUS PEUVENT NE PAS ÊTRE APPLICABLES. CETTE GARANTIE EST EXCLUSIVE ET REMPLACE TOUTE AUTRE GARANTIE EXPRESSE, QU'ELLE SOIT VERBALE OU ÉCRITE, DANS LA MESURE PERMISE PAR LA LOI. MILWAUKEE RENONCE À TOUTE GARANTIE IMPLICITE, Y COMPRIS, MAIS SANS S'Y LIMITER, TOUTE GARANTIE IMPLICITE DE QUALITÉ MARCHANDE OU D'ADAPTATION À UNE UTILISATION OU À UNE FIN PARTICULIÈRE. DANS LA MESURE OU UNE TELLE STIPULATION D'EXONÉRATION N'EST PAS PERMISE PAR LA LOI, LA DURÉE DE CES GARANTIES IMPLICITES EST LIMITÉE À LA PÉRIODE APPLICABLE DE LA GARANTIE EXPRESSE, TEL QUE CELA EST DÉCRIT PRÉCÉDEMMENT. CERTAINS ÉTATS ET PROVINCES NE PERMETTANT PAS DE LIMITATION DE DURÉE DES GARANTIES IMPLICITES, LES RESTRICTIONS CI-DESSUS PEUVENT DONC NE PAS VOUS ÊTRE APPLICABLES. LA PRÉSENTE VOUS CONFÈRE DES DROITS LÉGAUX PARTICULIERS; VOUS BÉNÉFICIEZ ÉGALEMENT D'AUTRES DROITS QUI VARIENT D'UN ÉTAT À UN AUTRE. Cette garantie s'applique aux produits vendus aux États-Unis et au Canada uniquement.

Veuillez consulter la rubrique Centre SAV Milwaukee, dans la section Pièces et Services du site Web de MILWAUKEE, à l'adresse www.milwaukeetool.com, ou composer le 1-800-SAWDUST (1-800-729-3878) afin de trouver le centre de service de votre région le plus proche pour l'entretien, sous garantie ou non, de votre outil électrique Milwaukee.

ADVERTENCIAS DE SEGURIDAD GENERALES PARA LA HERRAMIENTA ELÉCTRICA

▲ADVERTENCIA Lea todas las advertencias de seguridad, instrucciones, ilustraciones y especificaciones con esta herramienta eléctrica. Si no sigue todas las advertencias e instrucciones, se pueden provocar una descarga eléctrica, un incendio o lesiones graves. **Guarde todas las advertencias e instrucciones para consultarlas en el futuro.** El término "herramienta eléctrica" en todas las advertencias incluidas más abajo se refiere a su herramienta operada por conexión (cable) a la red eléctrica o por medio de una batería (inalámbrica).

SEGURIDAD EN EL ÁREA DE TRABAJO

- **Mantenga el área de trabajo limpia y bien iluminada.** Las áreas desordenadas u oscuras son propicias para los accidentes.
- **No utilice herramientas eléctricas en atmósferas explosivas, tales como en presencia de líquidos, gases o polvos inflamables.** Las herramientas eléctricas generan chispas que pueden encender el polvo o los vapores.
- **Mantenga a los niños y a los espectadores alejados mientras utiliza una herramienta eléctrica.** Las distracciones pueden ocasionar la pérdida de control.

SEGURIDAD ELÉCTRICA

- **Los enchufes de la herramienta eléctrica deben coincidir con el tomacorriente. Nunca modifique el enchufe de ninguna manera. No utilice adaptadores de enchufe con herramientas eléctricas aterrizadas.** Los enchufes y tomacorrientes correspondientes sin modificar reducirán el riesgo de descarga eléctrica.
- **Evite el contacto corporal con superficies aterrizadas, tales como tuberías, radiadores, estufas y refrigeradores.** Existe un riesgo mayor de descarga eléctrica si su cuerpo está aterrizado.
- **No exponga las herramientas eléctricas a la lluvia ni a condiciones húmedas.** Si se introduce agua en una herramienta eléctrica, aumentará el riesgo de descarga eléctrica.
- **No maltrate el cable. Nunca utilice el cable para cargar, jalar o desconectar la herramienta eléctrica.** Mantenga el cable alejado del calor, el aceite, los bordes afilados o las partes en movimiento. Los cables dañados o enredados aumentan el riesgo de descarga eléctrica.
- **Al utilizar una herramienta eléctrica en exteriores, utilice una extensión adecuada para uso en exteriores.** El uso de una extensión adecuada para el uso en exteriores disminuye el riesgo de descarga eléctrica.
- **Si es inevitable utilizar una herramienta eléctrica en un lugar húmedo, utilice un alimentador de corriente protegido con un interruptor de circuito por falla de conexión a tierra (GFCI).** El uso de un GFCI reduce el riesgo de descarga eléctrica.

SEGURIDAD PERSONAL

- **Manténgase alerta, atento a lo que está haciendo y utilice el sentido común al utilizar una herramienta eléctrica.** No utilice una herramienta eléctrica mientras está cansado o bajo la influencia de drogas, alcohol o medicamentos. Un momento de

distracción al utilizar herramientas eléctricas puede ocasionar lesiones personales graves.

- **Utilice equipo de protección personal. Siempre use protección para los ojos.** El equipo de protección, tal como una máscara contra polvo, calzado antideslizante, casco o protección auditiva, utilizado para condiciones adecuadas disminuirá las lesiones personales.
- **Evite el arranque accidental. Asegúrese de que el interruptor esté en la posición de apagado antes de conectarlo a una fuente de poder y/o batería, levantar o trasladar la herramienta.** Trasladar herramientas con el dedo en el interruptor o energizar herramientas eléctricas que tienen el interruptor encendido propicia accidentes.
- **Retire cualquier llave de ajuste antes de entender la herramienta.** Una llave que se deje insertada en una parte giratoria de la herramienta eléctrica puede ocasionar lesiones personales.
- **No estire el cuerpo demasiado. Mantenga un buen contacto entre los pies y el suelo y mantenga el equilibrio en todo momento.** Esto permite un mejor control de la herramienta eléctrica en situaciones inesperadas.
- **Vístase adecuadamente. No utilice ropa o joyería holgada. Mantenga el cabello y la ropa alejados de las partes móviles.** La ropa holgada, las alhajas o el cabello largo pueden quedarse atrapados en las partes móviles.
- **Si se proporcionan dispositivos para la conexión de instalaciones de extracción y recolección de polvo, cerciórese de que estén conectados y se utilicen correctamente.** El uso de dispositivos recolectores de polvo puede disminuir los riesgos relacionados con el polvo.
- **No permita que la familiaridad por el uso frecuente de las herramientas lo hagan sentirse seguro e ignorar los principios de seguridad de las herramientas.** Un descuido puede provocar lesiones graves en una fracción de segundo.

USO Y CUIDADO DE LAS HERRAMIENTAS ELÉCTRICAS

- **No fuerce la herramienta eléctrica. Utilice la herramienta eléctrica correcta para su aplicación.** La herramienta eléctrica correcta realizará el trabajo mejor y con mayor seguridad a la velocidad para la que fue diseñada.
- **No utilice la herramienta eléctrica si el interruptor no la enciende y la apaga.** Cualquier herramienta eléctrica que no pueda controlarse con el interruptor es peligrosa y debe repararse.
- **Desconecte el enchufe de la fuente de energía y/o quite la batería de la herramienta eléctrica, si es posible, antes de realizar cualquier ajuste, cambiar accesorios o almacenar las herramientas eléctricas.** Tales medidas preventivas de seguridad disminuyen el riesgo de que la herramienta eléctrica se encienda accidentalmente.
- **Almacene las herramientas eléctricas que no se estén utilizando fuera del alcance de los niños y no permita que personas que no estén familiarizadas con la herramienta eléctrica o con estas instrucciones la utilicen.** Las herramientas eléctricas son peligrosas en manos de usuarios sin capacitación.
- **Dé mantenimiento a las herramientas eléctricas y accesorios. Verifique que no haya desalineación, amarre de partes móviles, partes rotas o alguna otra condición que pueda afectar el**

funcionamiento de la herramienta eléctrica. Si se daña, asegúrese de que la herramienta eléctrica sea reparada antes de que se utilice. Muchos accidentes son ocasionados por herramientas eléctricas con mantenimiento deficiente.

- **Mantenga las herramientas de corte afiladas y limpias.** Las herramientas de corte correctamente mantenidas con bordes de corte afilados son menos propensas a atorarse y son más fáciles de controlar.
- **Utilice la herramienta eléctrica, los accesorios y las puntas, etc. de acuerdo con estas instrucciones, tomando en cuenta las condiciones de trabajo y el trabajo a realizar.** El uso de la herramienta eléctrica para operaciones diferentes a las previstas podría generar una situación peligrosa.
- **Mantenga las empuñaduras y ñas superficies de sujeción secas, limpias y libres de aceite y grasa.** Las empuñaduras y superficies de sujeción resbalosas no permiten el manejo y control seguros de la herramienta en situaciones inesperadas.

USO Y CUIDADO DE LAS HERRAMIENTAS CON BATERÍA

- **Recargue únicamente con el cargador especificado por el fabricante.** Un cargador que es adecuado para un tipo de batería puede crear un riesgo de incendio si se utiliza con otra batería.
- **Utilice las herramientas eléctricas únicamente con baterías específicamente diseñadas.** El uso de cualquier otra batería puede producir un riesgo de lesiones e incendio.
- **Cuando la batería no esté en uso, manténgala alejada de otros objetos metálicos como sujetapapeles, monedas, llaves, clavos, tornillos u otros objetos metálicos pequeños que puedan formar una conexión de una terminal a otra.** Crear un corto entre las terminales de la batería puede ocasionar quemaduras o un incendio.
- **Bajo condiciones de maltrato, el líquido puede ser expulsado de la batería, evite el contacto.** En caso de contacto accidental, lave con agua. Si el líquido entra en contacto con los ojos, busque además ayuda médica. El líquido expulsado de la batería puede causar irritación o quemaduras.
- **No use una batería o herramienta que se haya dañado o modificado.** Las baterías dañadas o modificadas pueden mostrar un comportamiento impredecible, causando incendios, explosión o riesgo de lesión.
- **No exponga una batería o herramienta al fuego o a temperatura excesiva.** La exposición a fuego o temperatura a más de 130° C (265° F) puede causar explosiones.
- **Siga todas las instrucciones de carga y no cargue la batería o la herramienta fuera del rango de temperatura especificado en las instrucciones.** La carga incorrecta o a temperaturas fuera del rango especificado puede dañar la batería y aumentar el riesgo de incendio.

MANTENIMIENTO

- **Lleve su herramienta eléctrica a servicio con un técnico calificado que use únicamente piezas de reemplazo idénticas.** Esto asegurará que la seguridad de la herramienta eléctrica se mantenga.
- **Nunca dé servicio a baterías dañadas.** Únicamente el fabricante o proveedores de servicio autorizados deben dar servicio a las baterías.

REGLAS ESPECIFICAS DE SEGURIDAD PARA CEPILLOS DE CAUCHO

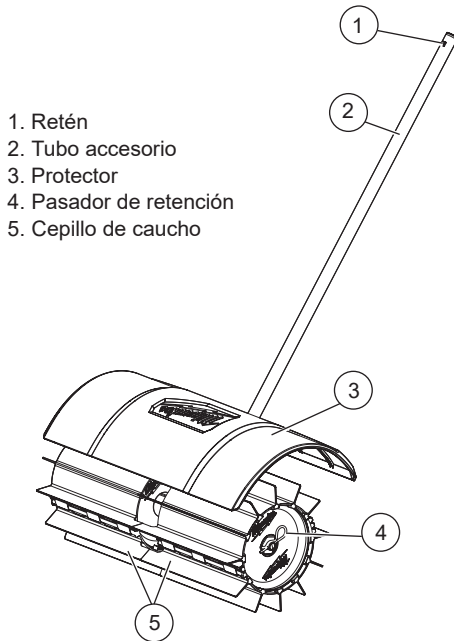
- **Antes de utilizar, lea este manual, y todos los manuales y etiquetas de esta herramienta y su cabezal eléctrico. No seguir las advertencias e instrucciones puede producir lesiones graves. Utilice la herramienta únicamente como se describe en este manual. Utilice únicamente accesorios recomendados por MILWAUKEE.**
- **No utilice la máquina en malas condiciones climáticas, particularmente cuando haya riesgo de relámpagos.** Esto reduce el riesgo de ser golpeado por un rayo.
- **Revise minuciosamente el área donde utilizará la máquina para confirmar que no haya animales.** Es posible que la máquina lesione a los animales durante su funcionamiento.
- **Revise minuciosamente el área donde se usará la máquina y quite todas las piedras, palos, cables, huesos y otro tipo de objetos extraños.** Los objetos proyectados pueden ocasionar lesiones físicas.
- **Utilice protección de ojos, orejas, y manos.** El equipo de protección adecuado reducirá las lesiones personales por escombros voladores o contacto accidental con la escoba.
- **Siempre utilice calzado de seguridad mientras usa la máquina. No utilice la máquina si está descalzo o usa sandalias abiertas.** Esto reduce la posibilidad de lesionarse los pies por el contacto con una escoba en movimiento.
- **Siempre utilice pantalones largos mientras usa la máquina.** Hay mayores probabilidades de sufrir lesiones por objetos en el aire con la piel expuesta.
- **No deje que nadie se acerque mientras usa la máquina.** Los residuos en el aire pueden ocasionar lesiones físicas graves.
- **Siempre utilice ambas manos durante el uso de la máquina.** Sostener la máquina con ambas manos evitará que ocurra una pérdida de control.
- **Siempre mantenga una buena postura y utilice la máquina únicamente mientras está parado en el suelo.** Las superficies resbalosas o inestables pueden provocar una pérdida de equilibrio o de control de la máquina.
- **Cuando se realicen trabajos en pendientes, asegúrese de mantener una buena postura, siempre trabaje en movimientos transversales en las pendientes, nunca de arriba hacia abajo y tenga sumo cuidado al momento de realizar un cambio de dirección.** Así reducirá el riesgo de sufrir una pérdida de control, resbalones y caídas que podrían resultar en lesiones físicas.
- **Mantenga todas las partes del cuerpo alejadas de la escoba cuando la máquina esté en funcionamiento.** Antes de encender la máquina, asegúrese de que la escoba no esté en contacto con nada. Un momento de descuido durante el uso de la máquina podría dar lugar a lesiones a usted o a otras personas.
- **Mantenga el control de la máquina y no toque la escoba ni otras partes móviles peligrosas mientras aún estén en movimiento.** Esto reduce el riesgo de lesiones ocasionadas por las partes móviles.

- Transporte la máquina apagada y lejos de su cuerpo. El manejo adecuado de la máquina reducirá la probabilidad de contacto accidental con una escoba en movimiento.
- Utilice únicamente escobas de repuesto especificadas por el fabricante. Las piezas de repuesto incorrectas aumentarán el riesgo de ruptura y lesiones.
- No utilice una extensión con este accesorio de la herramienta. La longitud adicional hará que sea muy difícil de controlar este accesorio y podría causar lesiones.
- Al usar este accesorio con baterías de mayor capacidad, utilice la correa de hombros para reducir la fatiga del usuario y ayudar a mantener el control de la herramienta durante el uso.
- No utilice varias correas de hombros al mismo tiempo. Cuando utilice una correa de hombros, asegúrese de que ningún otro elemento que lleve puesto interfiera con la liberación y el retiro de la correa.
- No levante nada que se esté quemando o emitiendo humo, como cigarrillos, cerillos o cenizas calientes.
- Para reducir el riesgo de peligros para la salud por los vapores o el polvo, no utilice la herramienta cerca de materiales tóxicos, carcinogénicos u otros peligrosos como asbesto, arsénico, bario, berilio, plomo, pesticidas u otros materiales que pongan en peligro la salud.
- Tenga cuidado cuando la utilice alrededor de plantas decorativas y otros obstáculos. Los accesorios cortarían/dañarían muchos materiales.
- No opere la herramienta sin el protector en su sitio. El protector debe estar sujetado correctamente durante el uso. Operar la herramienta sin el protector causará lesiones graves.
- No utilice la herramienta con una escoba dañada. Las piezas cuarteadas o rotas pueden salir volando.
- No opere la herramienta sin haber puesto el mango delantero. El mango delantero debe estar sujetado correctamente durante el uso. Use ambas manos al operar la herramienta, según las instrucciones del accesorio. Mantenga un agarre firme. Usar solamente una mano podría ocasionar una pérdida de control y provocar lesiones graves.
- Prepárese en caso de movimiento inesperado cuando haya contacto con un objeto sólido. La pérdida de control puede resultar en lesiones graves.
- Los objetos lanzados pueden rebotar de superficies duras, tales como paredes, árboles, y rocas y causar daños. Si es posible, realice el bordeado a mano en áreas cerradas.
- Siempre apague la herramienta entre cortes o al transportarla de una ubicación a otra. No cargue la herramienta con el dedo en el gatillo. El encendido accidental puede causar lesiones graves personales.
- No sumerja en agua o salpique con una manguera. No limpie con una limpiadora a presión. El agua que entre a la herramienta eléctrica aumentará el riesgo de choque eléctrico. Guarde la herramienta en el interior.
- Siempre apague la herramienta y luego retire la batería antes de cambiar o retirar los accesorios.

- Válgase siempre de su sentido común y sea cuidadoso cuando utilice herramientas. No es posible anticipar todas las situaciones que podrían tener un desenlace peligroso. No utilice esta herramienta si no entiende estas instrucciones de uso o si considera que el trabajo a realizar supera sus capacidades, comuníquese con Milwaukee Tool o con un profesional capacitado para recibir capacitación o información adicional.
- Conserve las etiquetas y las placas nominales. Contienen información importante. Si son ilegibles o no están presentes, comuníquese con un centro de servicio MILWAUKEE para obtener un reemplazo gratuito.
- **ADVERTENCIA** Algunos polvos generados por el lijado eléctrico, aserrado, pulido, taladrado y otras actividades de construcción contienen químicos identificados como causantes de cáncer, defectos congénitos u otros daños reproductivos. Algunos ejemplos de estos químicos son:
 - plomo de pintura basada en plomo
 - dióxido de silicio de los ladrillos y el cemento y otros productos de albañilería y
 - arsénico y cromo de madera con tratamiento químico.
 Su riesgo por estas exposiciones varía, dependiendo de la frecuencia con que realice este tipo de trabajo. Para reducir su exposición a estos químicos: trabaje en un área bien ventilada y trabaje con equipo de seguridad aprobado, como mascarillas protectoras contra polvo especialmente diseñadas para filtrar partículas microscópicas.

LEA Y GUARDE ESTAS INSTRUCCIONES PARA USO FUTURO

DESCRIPCION FUNCIONAL



SIMBOLOGÍA

- Volts
- Corriente continua
- Símbolo de alerta de seguridad
- Leer el manual del operador
- Siempre utilice protectores de ojos y equipo protector personal correcto.
- Utilice calzado antiderrapante
- Utilice guantes protectores
- Tenga cuidado del rebote de los cepillos
- Cuidado con los objetos lanzados
- La distancia entre la máquina y las demás personas deberá ser de, por lo menos, 5 m (16').
- UL Listing Mark para Canadá y Estados Unidos

ESPECIFICACIONES

Cat. No.	49-16-2740
Cabezal eléctrico.....	2825-20
Ancho de remoción.....	585 mm (23")
Cat. No. del ensamble de cepillos de caucho.....	31-92-0027
Cat. No. de la llave hexagonal de 5 mm.....	49-96-0012

ENSAMBLAJE

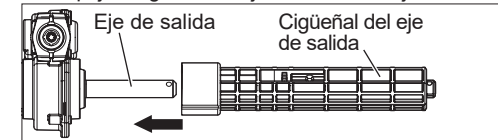
- **ADVERTENCIA** Antes de usar el cabezal eléctrico, lea el manual y las etiquetas del producto. El manual del cabezal eléctrico incluye instrucciones importantes de armado y uso. Conecte el accesorio al cabezal eléctrico según se indica en el manual del cabezal eléctrico. No opere la herramienta sin haber puesto el protector y el protector de cintura. Tanto el protector como el protector de cintura deben estar sujetos correctamente durante el uso. Operar la herramienta sin el protector y el protector de cintura ocasionará lesiones graves. Siempre quite la batería antes de cambiar o quitar los accesorios. No utilice la herramienta con un cepillo dañado. Las piezas cuarteadas o rotas pueden salir volando.

Instalación / retiro de los cepillos

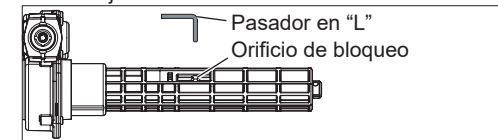
Los cepillos de caucho se envían sin instalar y deben instalarse antes de usarse.

Para instalar los cepillos:

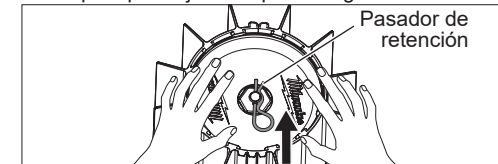
1. Extraiga la batería.
2. Empuje el cigüeñal del eje de salida en el eje de salida.



3. Inserte pasador en "L" en la orientación que se muestra en el orificio de bloqueo del eje de salida hasta que quede retenido. Esto asegurará el eje en el eje.



4. Repita los pasos 2 y 3 en el otro cigüeñal del eje de salida.
5. Empuje el cepillo de caucho en el cigüeñal del eje de salida.
6. Inserte el pasador de retención en el orificio de bloqueo para fijar el cepillo al cigüeñal.



7. Repita los pasos 5 y 6 en el otro cigüeñal del eje de salida.

Para quitar los cepillos:

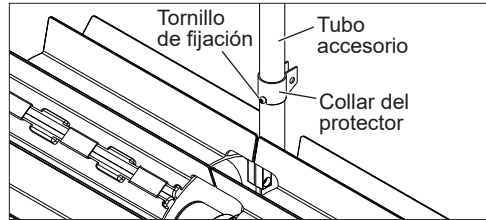
1. Extraiga la batería.
2. Quite el pasador de retención del orificio de bloqueo.
3. Quite el cepillo de caucho del cigüeñal del eje de salida.
4. Repita los pasos 2 y 3 en el otro cigüeñal del eje de salida.

NOTA: Para asegurarse de tener una aplicación uniforme, ambos cepillos deben cambiarse al mismo tiempo.

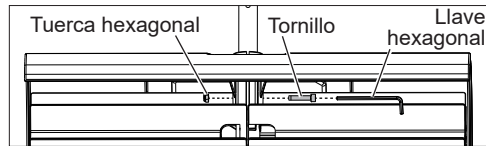
Instalación del protector

El protector se envía sin instalar y debe instalarse antes de usarse.

1. Empuje el collar del protector en el tubo accesorio hasta que el collar se fije en su lugar contra el tornillo de fijación.



2. Empuje el protector en el tubo accesorio.
3. Alinee el protector con el orificio que se encuentra en el collar del protector.
4. Ponga la tuerca hexagonal y, después, inserte el tornillo a través del protector para ponerlo en el collar.
5. Apriete firmemente el tornillo con la llave hexagonal incluida.



Abrochar la correa de hombros

(Disponible como accesorio. Cat. No. 49-16-2722)

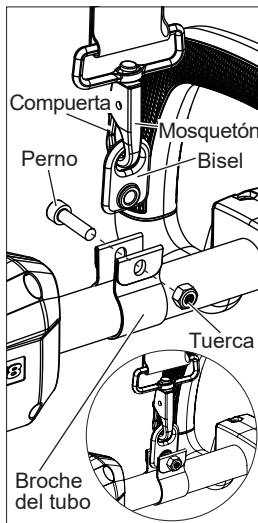
ADVERTENCIA No utilice varias correas de hombros al mismo tiempo.

Cuando utilice una correa de hombros, asegúrese de que ningún otro elemento que lleve puesto interfiera con la liberación y el retiro de la correa.

Cuando utilice este accesorio con paquetes de baterías de mayor capacidad, utilice la correa para el hombro para reducir la fatiga del usuario y ayude a mantener el control de la herramienta durante el uso.

Para **instalar** la correa:

1. Extraiga la batería.
2. Ajuste el broche del tubo alrededor del tubo con cabezal eléctrico entre el mango delantero y el mango trasero en un lugar cómodo durante el uso.
3. Inserte el perno por el broche del tubo y el bisel de la correa. Enrosque la tuerca en el perno y apriete bien.
4. Abroche el mosquetón de la correa al bisel.
5. Ajuste el gancho del mástil según sea necesario para asegurarse de que la hoja esté a buen nivel de funcionamiento.



Para **usar** la correa:

1. Pase el brazo derecho y la cabeza por la correa.
2. Ajuste los broches de la correa para cambiar la longitud y que esté cómoda.
3. Deslice la almohadilla del cuello a la posición apropiada.

Para **desabrochar** la correa:

1. Sostenga la herramienta por el mango delantero con la mano izquierda.
2. Tome el mosquetón con la mano derecha y desabroche empujando la compuerta y deslizando el bisel hacia afuera.

OPERACIÓN

ADVERTENCIA Con el fin de minimizar el riesgo de lesiones, siempre utilice la protección de ojos adecuada indicada para cumplir con lo dispuesto en la norma ANSI Z87.1.

Siempre retire la batería antes de cambiar o retirar los accesorios o aditamentos.

No opere la herramienta sin el mango delantero en su sitio. El mango delantero debe estar sujetado correctamente durante el uso. Usar una mano puede causar la pérdida de control y resultará en lesiones graves.

No opere la herramienta sin haber puesto el protector. Tanto el protector como el protector de cintura deben estar sujetos correctamente durante el uso. Operar la herramienta sin el protector y el protector de cintura ocasionará lesiones graves.

Use ambas manos al operar la bordeadora. Sostenga con firmeza. Usar una mano puede causar la pérdida de control y resultará en lesiones graves.

Selección de la velocidad

Utilice el botón de control de velocidad en el cabezal eléctrico para seleccionar velocidades Bajas o Altas. Use velocidad baja para trabajos más grandes donde se necesita la vida extendida de la batería. Use la velocidad alta para aplicaciones de vegetación densa.



Uso del accesorio

1. Revise el cepillo de caucho antes de usarlo para ver si tiene daños, como bordes más delgados. Si los cepillos están dañados, no los utilice y cámbielos.
2. Sostenga la empuñadura de gatillo con la mano derecha y la empuñadura delantera con la mano izquierda para que usted esté bien alineado detrás de la protección y lejos de la dirección de corte.
3. Para **encender** la herramienta, apriete la palanca de seguridad y jale el gatillo. **ADVERTENCIA!** La herramienta empuja hacia el operador. Sostenga la herramienta en un ángulo poco profundo para reducir el riesgo de pérdida de control.

4. Para **cambiar** la velocidad, aumente o disminuya la presión sobre el gatillo. Mientras más se jale el gatillo, mayor será la velocidad hasta el máximo establecido por el botón de control de velocidad.
5. Guíe el cepillo hacia el frente, manteniendo un ángulo mínimo con el fin de evitar el rebote hacia el operador.



6. En cas de blocage, éteignez l'outil et retirez la batterie avant de nettoyer les débris.
7. Pour arrêter l'outil, relâcher la gâchette. S'assurer que l'outil est complètement arrêté avant de le déposer.

APLICACIONES

El cepillo de cerdas puede usarse para las siguientes aplicaciones:

- Movimiento de material en superficies duras
- Mantenimiento de áreas verdes

MANTENIMIENTO

ADVERTENCIA Para reducir el riesgo de una lesión, desconecte siempre la herramienta antes de darle cualquier mantenimiento. Nunca desarme la herramienta ni trate de hacer modificaciones en el sistema eléctrico de la misma. Acuda siempre a un Centro de Servicio MILWAUKEE para TODAS las reparaciones.

Mantenimiento de las herramientas

Adopte un programa regular de mantenimiento y mantenga su herramienta en buenas condiciones. Inspeccione la herramienta para problemas como ruidos indebidos, desalineadas o agarradas de partes móviles, piezas rotas o cualquier otra condición que pueda afectar el funcionamiento de la herramienta. Envíe su herramienta al Centro de Servicio MILWAUKEE para reparación. Después de 6 meses a un año, dependiendo del uso dado, envíe su herramienta al Centro de Servicio MILWAUKEE más cercano para la inspección. Si la herramienta no arranca u opera a toda su potencia con una batería completamente cargada, limpie, con una goma o borrador, los contactos de la batería y de la herramienta. Si aun así la herramienta no trabaja correctamente, regrésela, con el cargador y la batería, a un centro de servicio MILWAUKEE.

ADVERTENCIA No utilice hojas chatas ni dañadas. Las hojas chatas o dañadas pueden aumentar el riesgo de amarre o que se atoren con un objeto, lo que podría ocasionar el rebote de la hoja.

Cambio de los cepillos

(Disponible como pieza de mantenimiento.

Cat. No. 31-92-0027)

Debe revisar los cepillos antes de cada uso. Si los bordes del cepillo son demasiado delgados o su funcionamiento se ve reducido, será necesario cambiarlos. Consulte la sección "Instalación / retiro de los cepillos" en este manual para leer las instrucciones acerca de la instalación y retiro de los cepillos.

ADVERTENCIA Para reducir el riesgo de lesiones, descarga eléctrica o daño a la herramienta, nunca la sumerja en líquidos ni permita que estos fluyan dentro de la misma.

Limpeza

Limpie el polvo y suciedad de las cualquier ventilas. Mantenga los herramienta, limpios, secos y libres de aceite o grasa. Use solo jabón neutro y un trapo húmedo para limpiar, ya que algunos sustancias y solventes limpiadores son dañinos a los plásticos y partes aislantes. Algunos de estos incluyen: gasolina, turpentina, thinner, lacas, thinner para pinturas, solventes para limpieza con cloro, amoníaco y detergentes caseros que tengan amonía. Nunca usa solventes inflamables o combustibles cerca de una herramienta.

Reparaciones

Si su herramienta, batería o cargador están dañados, envíela al centro de servicio autorizado más cercano.

ACCESORIOS

ADVERTENCIA Utilice sólo los accesorios específicamente recomendados. Otros accesorios puede ser peligroso.

Para una lista completa de accesorios, visite nuestro sitio en Internet: www.milwaukeetool.com o póngase en contacto con un distribuidor.

SOPORTE DE SERVICIO - MEXICO

CENTRO DE ATENCION A CLIENTES

Techronic Industries Mexico, S.A. de C.V.

Av. Presidente Masarik 29 Piso 7

11560 Polanco V Seccion

Miguel Hidalgo, Distrito Federal, México

01 (800) 030-7777 o (55) 4160-3540

Lunes a Viernes (9am a 6pm)

O contáctanos en www.milwaukeetool.com.mx

GARANTÍA LIMITADA - E.U.A. Y CANADÁ

Cada producto de equipos eléctricos para el exterior* de MILWAUKEE (ver excepciones a continuación) tiene garantía solamente con el comprador original contra defectos del material y calidad. Sujeto a ciertas excepciones, MILWAUKEE reparará o reemplazará cualquier parte de un producto de equipos eléctricos para el exterior que, después de examinarse, sea determinado por MILWAUKEE que tienen material o calidad defectuosa durante un periodo de tres (3) años** después de la fecha de compra a menos que se estipule lo contrario. Se requiere la devolución del equipo eléctrico para el exterior a un lugar del Centro de servicio de una fábrica MILWAUKEE o Estación de servicio autorizado MILWAUKEE, con el flete pagado por anticipado y asegurado. Deberá incluirse una copia del comprobante de compra con la devolución del producto. Esta garantía no aplica a daños que MILWAUKEE determine provengan de reparaciones o intentos de reparaciones realizados por alguien que no sea personal autorizado de MILWAUKEE, por mal uso, alteraciones, abuso, deterioro normal, falta de mantenimiento o accidentes.

Deterioro normal: muchos productos de equipos eléctricos para el exterior necesitan reemplazo de partes y servicio periódico para lograr su mejor rendimiento. Esta garantía no cubre la reparación cuando el uso normal ha agotado la vida de una parte incluyendo, pero sin limitarse, al cabezal de la bordeadora, el carrete del cabezal de la bordeadora, las líneas de corte, cuchillas, líneas, cadenas, tubos de soplado, cepillos, juntas tóricas y sellos.

*Esta garantía no cubre las Baterías inalmbricas o un Producto reacondicionado. Existen garantías separadas y distintas disponibles para estos productos.

**El periodo de garantía de las estructuras de tanque, mangueras, empuñaduras y extensiones es de un (1) año desde la fecha de compra. MILWAUKEE no cubre los cargos de fletes o mano de obra asociados con la inspección y pruebas de los productos de equipos eléctricos para el exterior, que MILWAUKEE determine que no sean sujetos a validación de garantía. Una validación de garantía debe estar respaldada por el descubrimiento de material o calidad defectuosa por parte de MILWAUKEE.

LA ACEPTACIÓN DE LAS SOLUCIONES EXCLUSIVAS DE REPARACIÓN Y REEMPLAZO DESCRITAS EN LA PRESENTE ES UNA CONDICIÓN DEL CONTRATO POR LA COMPRA DE CUALQUIER PRODUCTO MILWAUKEE. SI NO ACEPTA ESTA CONDICIÓN, NO DEBE COMPRAR EL PRODUCTO. BAJO NINGUNA CIRCUNSTANCIA MILWAUKEE SERÁ RESPONSABLE DE NINGÚN DAÑO INCIDENTAL, ESPECIAL, CONSECUENCIAL O PUNITIVO, O POR NINGÚN COSTO, HONORARIOS DE ABOGADOS, GASTOS, PÉRDIDAS O RETRASOS, SUPUESTOS COMO CONSECUENCIA DE ALGÚN DAÑO A, POR FALLA DE O DEFECTO DE NINGÚN PRODUCTO INCLUYENDO, PERO SIN LIMITARSE A ALGÚN RECLAMO POR PÉRDIDA DE GANANCIAS. ALGUNOS ESTADOS NO PERMITEN LA EXCLUSIÓN O LIMITACIÓN DE DAÑOS INCIDENTALES O CONSECUENCIALES, POR LO QUE LA LIMITACIÓN O EXCLUSIÓN ANTERIOR PUEDE NO APLICAR A USTED. ESTA GARANTÍA ES EXCLUSIVA Y EN LUGAR DE TODAS LAS DEMÁS GARANTÍAS EXPRESAS, ESCRITAS U ORALES. HASTA DONDE LO PERMITA LA LEY, MILWAUKEE NIEGA CUALQUIER GARANTÍA IMPLÍCITA, INCLUYENDO SIN LIMITARSE A GARANTÍA IMPLÍCITA DE COMERCIABILIDAD O APTITUD PAR UN USO O PROPÓSITO EN PARTICULAR; HASTA DONDE DICHO DESCARGO DE RESPONSABILIDAD NO SEA PERMITIDO POR LA LEY, DICHAS GARANTÍAS IMPLÍCITAS SE LIMITAN A LA DURACIÓN DE LA GARANTÍA EXPRESA APLICABLE COMO SE DESCRIBE ARRIBA. ALGUNOS ESTADOS NO PERMITEN LIMITACIONES SOBRE CUANTO TIEMPO DURA UNA GARANTÍA IMPLÍCITA, ASÍ QUE LA LIMITACIÓN ANTERIOR PUEDE NO APLICAR A USTED, ESTA GARANTÍA LE DA DERECHOS LEGALES ESPECIALES Y QUIZA TAMBIÉN TENGA OTROS DERECHOS QUE VAN A VARIAR DE ESTADO A ESTADO.

Esta garantía aplica al producto vendido solamente en EE. UU. y Canadá.

Consulte la "Búsqueda del centro de servicio" ("Service Center Search") en la sección de Partes y servicios (Parts & Services) de la página web de MILWAUKEE www.milwaukeetool.com o llame al 1.800.SAWDUST (1.800.729.3878) para localizar su centro de servicio más cercano para el servicio de garantía y no garantía de una herramienta eléctrica de Milwaukee.

PÓLIZA DE GARANTÍA - VALIDA SOLO PARA MÉXICO, AMÉRICA CENTRAL Y EL CARIBE

La garantía de TECHTRONIC INDUSTRIES es por 3 años a partir de la fecha original de compra.

Esta tarjeta de garantía cubre cualquier defecto de material y mano de obra en ese Producto.

Para hacer válida esta garantía, presente esta tarjeta de garantía, cerrada/sellada por el distribuidor o la tienda donde compró el producto, al Centro de Servicio Autorizado (ASC). O, si esta tarjeta no se ha cerrado/sellado, presente la prueba original de compra a ASC. Llame 55 4160-3547 para encontrar el ASC más cercano, para servicio, partes, accesorios o componentes.

Procedimiento para hacer válida esta garantía

Lleve el producto a ASC, junto con la tarjeta de garantía cerrada/sellada por el distribuidor o la tienda donde compró el producto, y cualquier pieza o componente defectuoso se reemplazará sin costo para usted. Cubriremos todos los costos de flete con relación a este proceso de garantía

Excepciones

Esta garantía no tendrá validez en las siguientes situaciones:

- Cuando el producto se use de manera distinta a la que indica el manual del usuario final o de instrucciones.
- Cuando las condiciones de uso no sean normales.
- Cuando otras personas no autorizadas por TECHTRONIC INDUSTRIES modifiquen o reparen el producto.

Nota: si el juego de cables está dañado, tiene que reemplazarse en un Centro de Servicio Autorizado para evitar riesgos eléctricos.

CENTRO DE SERVICIO Y ATENCIÓN

Llame al 55 4160-3547

IMPORTADO Y COMERCIALIZADO POR
TECHTRONIC INDUSTRIES, MÉXICO, S.A. DE C.V.
Miguel de Cervantes Saavedra No.301 Piso 5, Torre Norte
11520 Colonia Ampliación Granada
Miguel Hidalgo, Ciudad de Mexico, Mexico

Modelo: _____

Fecha de Compra: _____

Sello del Distribuidor: _____

MILWAUKEE TOOL
13135 West Lisbon Road
Brookfield, WI 53005 USA

58140308d2
04/22

961014354-02(A)
Printed in