

IMPORTANT
Read Before Using

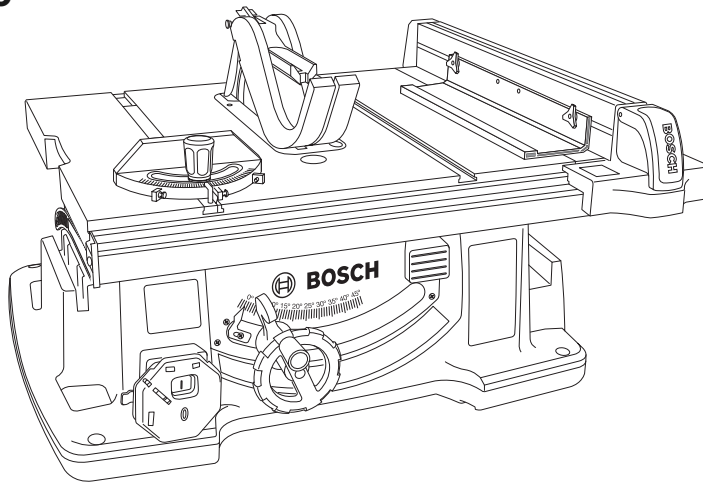
IMPORTANT
Lire avant usage

IMPORTANTE
Leer antes de usar



Operating / Safety Instructions
Consignes d'utilisation/de sécurité
Instrucciones de funcionamiento y seguridad

4100XC



BOSCH

Call Toll Free for Consumer Information and Service Locations

Pour obtenir des informations et les adresses de nos centres de service après-vente, appelez ce numéro gratuit

Llame gratis para obtener información para el consumidor y ubicaciones de servicio

1-877-BOSCH99 (1-877-267-2499) www.boschtools.com

For English Version
See page 2

Version française
Voir page 49

Versión en español
Ver la página 102

Safety Symbols

The definitions below describe the level of severity for each signal word. Please read the manual and pay attention to these symbols.





	This is the safety alert symbol. It is used to alert you to potential personal injury hazards. Obey all safety messages that follow this symbol to avoid possible injury or death.
	DANGER indicates a hazardous situation which, if not avoided, will result in death or serious injury.
	WARNING indicates a hazardous situation which, if not avoided, could result in death or serious injury.
	CAUTION indicates a hazardous situation which, if not avoided, could result in minor or moderate injury.

Table of Contents

Safety Symbols	2	Rip Fence and Thin Workpiece	
General Power Tool Safety Warnings	3	Fence Storage22
1. Work area safety	3	Smart Guard System Storage22
2. Electrical safety	3	Mounting The Table Saw23
3. Personal safety	4	Adjustments23
4. Power tool use and care	4	Adjusting Blade Parallel to the	
5. Service	5	Miter Gauge Slots23
Safety Instructions for Table Saws	5	Miter Gauge Adjustment24
1. Guarding related warnings	5	Rip Fence Adjustments25
2. Cutting procedures warnings	5	Aligning Rip Fence25
3. Kickback causes and related warnings ..	6	Rip Fence Pointer Adjustment25
4. Table saw operating procedure warnings .	7	To Set The Rip Fence Pointer:25
Additional Safety Rules	8	Table Pointer Adjustment26
Intended Use	8	Riving Knife Alignment26
Specifications	9	Checking Riving Knife Alignment26
Double Insulated Tools	9	Adjusting Riving Knife27
Extension Cords	9	Adjusting the Table Insert27
Symbols	10	Adjusting 0 and 45 Degree Positive Stops .	.28
Getting To Know Your Table Saw	12	Adjusting 0 Degree Positive Stop:28
Glossary of Terms	14	Adjusting 45 Degree Positive Stop:28
Unpacking And Checking Contents	15	Basic Table Saw Operation29
Tools Needed For Assembly	16	Power Switch29
Assembly	17	Using the Smart Guard System29
Attaching Bottom Screen	17	Riving Knife / Splitter30
Attaching the Smart Guard System	17	Main Barrier Guard30
Positioning The Riving Knife	17	Anti-Kickback Device30
Attaching The Guard Assembly	18	Making Work Helpers30
Attaching The Anti-Kickback Device	18	Making Push Stick and Push Block31
Selecting and Changing the Blade	19	Making auxiliary fence31
Using the Correct Blade	19	Making a Featherboard31
Changing the Blade	20	Making The Facing Block32
Attaching Rip Fence	20	Making Rip Fence Auxiliary Facing32
Attaching Thin Workpiece Fence	21	Using the Push Stick, Push Block,	
Storage, Transportation, and Mounting .	21	and Auxiliary Fence33
Miter Gauge and Push stick Storage	21	Push Stick33

Table of Contents

Making Miter Gauge Auxiliary Facing33	Bevel Crosscutting40
Push Block34	Compound Miter Cutting40
Auxiliary and Thin Workpiece Fence34	Non-Thru Cutting41
Blade Bevel Control35	Rabbeting41
Extending Table Extension35	Dado Cutting42
Pre-Cut Locator35	Installing a Dado Set42
Using The Rip Fence36	Using Stacked Dado Sets42
Ripping36	Returning Saw to Normal Thru-Cutting . .	.44
Bevel Ripping36	Adjustable or Wobble Dado Sets44
Using The Rip Fence Pointer		Installing a Molding Head Set44
When Table Is Not Extended37	Returning Saw to Normal Thru-Cutting . .	.45
Using The Table Pointer When		Special Cutting Techniques45
Table Is Extended37	Maintaining Your Table Saw46
Using The Miter Gauge38	General Maintenance46
Adjusting The Miter Angle:38	Lubrication46
Crosscutting38	Attachments47
Repetitive Crosscutting39	Troubleshooting48
Making The Repetitive Crosscut39	Miter gauge template - for adding	
Miter Cutting40	mounting holes155

General Power Tool Safety Warnings

⚠ WARNING Read all safety warnings, instructions, illustrations and specifications provided with this power tool. Failure to follow all instructions listed below may result in electric shock, fire and/or serious injury.

SAVE ALL WARNINGS AND INSTRUCTIONS FOR FUTURE REFERENCE

The term “power tool” in the warnings refers to your mains-operated (corded) power tool or battery-operated (cordless) power tool.

1. Work area safety

- Keep work area clean and well lit.** Cluttered or dark areas invite accidents.
- Do not operate power tools in explosive atmospheres, such as in the presence of flammable liquids, gases or dust.** Power tools create sparks which may ignite the dust or fumes.
- Keep children and bystanders away while operating a power tool.** Distractions can cause you to lose control.
- Make workshop child-proof with padlocks and/or master switches.**

2. Electrical safety

- Power tool plugs must match the outlet. Never modify the plug in any way. Do not use any adapter plugs with earthed (grounded) power tools.** Unmodified plugs and matching outlets will reduce risk of electric shock.
- Avoid body contact with earthed or grounded surfaces, such as pipes, radiators, ranges and**

refrigerators. There is an increased risk of electric shock if your body is earthed or grounded.

- Do not expose power tools to rain or wet conditions.** Water entering a power tool will increase the risk of electric shock.
- Do not abuse the cord. Never use the cord for carrying, pulling or unplugging the power tool. Keep cord away from heat, oil, sharp edges or moving parts.** Damaged or entangled cords increase the risk of electric shock.
- When operating a power tool outdoors, use an extension cord suitable for outdoor use.** Use of a cord suitable for outdoor use reduces the risk of electric shock.
- If operating a power tool in a damp location is unavoidable, use a Ground Fault Circuit Interrupter (GFCI) protected supply.** Use of an GFCI reduces the risk of electric shock.
- Before connecting the tool to a power source (receptacle, outlet, etc.), be sure voltage supplied is the same as that specified on the nameplate of the tool.** A power source with voltage greater than that specified for the tool

SAVE THESE INSTRUCTIONS

3

General Power Tool Safety Warnings

can result in serious injury to the user — as well as damage to the tool. If in doubt, DO NOT PLUG IN THE TOOL. Using a power source with voltage less than the nameplate rating is harmful to the motor.

3. Personal safety

- a. **Stay alert, watch what you are doing and use common sense when operating a power tool. Do not use a power tool while you are tired or under the influence of drugs, alcohol or medication.** A moment of inattention while operating power tools may result in serious personal injury.
- b. **Use personal protective equipment. Always wear eye protection.** Protective equipment such as dust mask, non-skid safety shoes, hard hat, or hearing protection used for appropriate conditions will reduce personal injuries.
- c. **Prevent unintentional starting. Ensure the switch is in the off-position before connecting to power source and / or battery pack, picking up or carrying the tool.** Carrying power tools with your finger on the switch or energizing power tools that have the switch on invites accidents.
- d. **Remove any adjusting key or wrench before turning the power tool on.** A wrench or a key left attached to a rotating part of the power tool may result in personal injury.
- e. **Do not overreach. Keep proper footing and balance at all times.** This enables better control of the power tool in unexpected situations.
- f. **Dress properly. Do not wear loose clothing or jewelry. Keep your hair, clothing and gloves away from moving parts.** Loose clothes, jewelry or long hair can be caught in moving parts.
- g. **If devices are provided for the connection of dust extraction and collection facilities, ensure these are connected and properly used.** Use of dust collection can reduce dust-related hazards.
- h. **Do not let familiarity gained from frequent use of tools allow you to become complacent and ignore tool safety principles.** A careless action can cause severe injury within a fraction of a second.
- b. **Do not use the power tool if the switch does not turn it on and off.** Any power tool that cannot be controlled with the switch is dangerous and must be repaired.
- c. **Disconnect the plug from the power source and/or remove the battery pack, if detachable, from the power tool before making any adjustments, changing accessories, or storing power tools.** Such preventive safety measures reduce the risk of starting the power tool accidentally.
- d. **Store idle power tools out of the reach of children and do not allow persons unfamiliar with the power tool or these instructions to operate the power tool.** Power tools are dangerous in the hands of untrained users.
- e. **Maintain power tools and accessories. Check for misalignment or binding of moving parts, breakage of parts and any other condition that may affect the power tool's operation. If damaged, have the power tool repaired before use.** Many accidents are caused by poorly maintained power tools.
- f. **Keep cutting tools sharp and clean.** Properly maintained cutting tools with sharp cutting edges are less likely to bind and are easier to control.
- g. **Use the power tool, accessories and tool bits etc. in accordance with these instructions, taking into account the working conditions and the work to be performed.** Use of the power tool for operations different from those intended could result in a hazardous situation.
- h. **Keep handles and grasping surfaces dry, clean and free from oil and grease.** Slippery handles and grasping surfaces do not allow for safe handling and control of the tool in unexpected situations.
- i. **Do not alter or misuse tool.** These tools are precision built. Any alteration or modification not specified is misuse and may result in dangerous conditions.
- j. **Do not operate this table saw until it is completely assembled and installed according to the instructions and until you have read and understood the following:**
 1. General Power Tool Safety Warnings3-5
 2. Safety Instructions for Table Saws 5-7
 3. Additional Safety Rules8
 4. Intended Use8
 5. Specifications9
 6. Double Insulated Tools9
 7. Getting To Know Your Table Saw . .12-13

4. Power tool use and care

- a. **Do not force the power tool. Use the correct power tool for your application.** The correct power tool will do the job better and safer at the rate for which it was designed.

General Power Tool Safety Warnings

- 8. Unpacking And Checking Contents 15
- 9. Assembly17–21
- 10. Storage, Transportation,
and Mounting21–23
- 12. Adjustments23–28
- 12. Basic Table Saw Operation29–45
- 13. Maintaining Your Table Saw46

5. Service

- a. **Have your power tool serviced by a qualified repair person using only identical replacement parts.** This will ensure that the safety of the power tool is maintained.


Safety Instructions for Table Saws

1. Guarding related warnings

- a. **Keep guards in place. Guards must be in working order and be properly mounted.** A guard that is loose, damaged, or is not functioning correctly must be repaired or replaced.
- b. **Always use saw blade guard, riving knife and anti-kickback device for every through-cutting operation.** For through-cutting operations where the saw blade cuts completely through the thickness of the workpiece, the guard and other safety devices help reduce the risk of injury.
- c. **Immediately reattach the guarding system after completing an operation (such as rabbeting, dadoing or resawing cuts) which requires removal of the guard, riving knife and/or anti-kickback device.** The guard, riving knife, and anti-kickback device help to reduce the risk of injury.
- d. **Make sure the saw blade is not contacting the guard, riving knife or the workpiece before the switch is turned on.** Inadvertent contact of these items with the saw blade could cause a hazardous condition.
- e. **Adjust the riving knife as described in this instruction manual.** Incorrect spacing, positioning and alignment can make the riving knife ineffective in reducing the likelihood of kickback.
- f. **For the riving knife and anti-kickback device to work, they must be engaged in the workpiece.** The riving knife and anti-kickback device are ineffective when cutting workpieces that are too short to be engaged with the riving knife and anti-kickback device. Under these conditions a kickback cannot be prevented by the riving knife and antikickback device.
- g. **Use the appropriate saw blade for the riving knife.** For the riving knife to function properly, the saw blade diameter must match the appropriate riving knife and the body of the saw blade must be thinner than the thickness of the riving knife and the cutting width of the saw

blade must be wider than the thickness of the riving knife.

2. Cutting procedures warnings

- a. ** DANGER** Never place your fingers or hands in the vicinity or in line with the saw blade. A moment of inattention or a slip could direct your hand towards the saw blade and result in serious personal injury.
- b. **Feed the workpiece into the saw blade or cutter only against the direction of rotation.** Feeding the workpiece in the same direction that the saw blade is rotating above the table may result in the workpiece, and your hand, being pulled into the saw blade.
- c. **Never use the miter gauge to feed the workpiece when ripping and do not use the rip fence as a length stop when cross cutting with the miter gauge.** Guiding the workpiece with the rip fence and the miter gauge at the same time increases the likelihood of saw blade binding and kickback.
- d. **When ripping, always apply the workpiece feeding force between the fence and the saw blade. Use a push stick when the distance between the fence and the saw blade is less than 150 mm (6 in.), and use a push block when this distance is less than 50 mm (2 in.).** “Work helping” devices will keep your hand at a safe distance from the saw blade.
- e. **Use only the push stick provided by the manufacturer or constructed in accordance with the instructions.** This push stick provides sufficient distance of the hand from the saw blade.
- f. **Never use a damaged or cut push stick.** A damaged push stick may break causing your hand to slip into the saw blade.
- g. **Do not perform any operation “freehand”. Always use either the rip fence or the miter gauge to position and guide the workpiece.** “Freehand” means using your hands to support

Safety Instructions for Table Saws

or guide the workpiece, in lieu of a rip fence or miter gauge. Freehand sawing leads to misalignment, binding and kickback.

- h. **Never reach around or over a rotating saw blade.** Reaching for a workpiece may lead to accidental contact with the moving saw blade.
- i. **Provide auxiliary workpiece support to the rear and/or sides of the saw table for long and/or wide workpieces to keep them level.** A long and/or wide workpiece has a tendency to pivot on the table's edge, causing loss of control, saw blade binding and kickback.
- j. **Feed workpiece at an even pace. Do not bend or twist the workpiece. If jamming occurs, turn the tool off immediately, unplug the tool then clear the jam.** Jamming the saw blade by the workpiece can cause kickback or stall the motor.
- k. **Do not remove pieces of cut-off material while the saw is running.** The material may become trapped between the rip fence or inside the saw blade guard and the saw blade pulling your fingers into the saw blade. Turn the saw off and wait until the saw blade stops before removing material.
- l. **Use an auxiliary fence in contact with the table top when ripping workpieces less than 2 mm (0.08 in) thick.** A thin workpiece may wedge under the rip fence and create a kickback.

3. Kickback causes and related warnings

Kickback is a sudden reaction of the workpiece due to a pinched, jammed saw blade or misaligned line of cut in the workpiece with respect to the saw blade or when a part of the workpiece binds between the saw blade and the rip fence or other fixed object.

Most frequently during kickback, the workpiece is lifted from the table by the rear portion of the saw blade and is propelled towards the operator. Kickback is the result of saw misuse and/or incorrect operating procedures or conditions and can be avoided by taking proper precautions as given below.

- a. **Never stand directly in line with the saw blade. Always position your body on the same side of the saw blade as the fence.** Kickback may propel the workpiece at high velocity towards anyone standing in front and in line with the saw blade.
- b. **Never reach over or in back of the saw blade to pull or to support the workpiece.** Acciden-

tal contact with the saw blade may occur or kickback may drag your fingers into the saw blade.

- c. **Never hold and press the workpiece that is being cut off against the rotating saw blade.** Pressing the workpiece being cut off against the saw blade will create a binding condition and kickback.
- d. **Align the fence to be parallel with the saw blade.** A misaligned fence will pinch the workpiece against the saw blade and create kickback.
- e. **Use a featherboard to guide the workpiece against the table and fence when making non-through cuts such as rabbeting, dadoing or resawing cuts.** A featherboard helps to control the workpiece in the event of a kickback.
- f. **Use extra caution when making a cut into blind areas of assembled workpieces.** The protruding saw blade may cut objects that can cause kickback.
- g. **Support large panels to minimize the risk of saw blade pinching and kickback.** Large panels tend to sag under their own weight. Support(s) must be placed under all portions of the panel overhanging the table top.
- h. **Use extra caution when cutting a workpiece that is twisted, knotted, warped or does not have a straight edge to guide it with a miter gauge or along the fence.** A warped, knotted, or twisted workpiece is unstable and causes misalignment of the kerf with the saw blade, binding and kickback.
- i. **Never cut more than one workpiece, stacked vertically or horizontally.** The saw blade could pick up one or more pieces and cause kickback.
- j. **When restarting the saw with the saw blade in the workpiece, center the saw blade in the kerf so that the saw teeth are not engaged in the material.** If the saw blade binds, it may lift up the workpiece and cause kickback when the saw is restarted.
- k. **Keep saw blades clean, sharp, and with sufficient set. Never use warped saw blades or saw blades with cracked or broken teeth.** Sharp and properly set saw blades minimize binding, stalling and kickback. Cleaning accumulated sap or plastic from the tips and body of the blade will reduce overheating and binding of the blade. When cutting plastic materials, avoid melting the plastic.
- l. **Do not release the workpiece until you have pushed it all the way past the sawblade.** Failure to do so may cause kickback and personal injury.

Safety Instructions for Table Saws

- m. **Do not confine the cut-off piece when ripping or cross cutting.** Confining the cut-off piece when ripping or cross cutting may cause kickback and personal injury.
- n. **Replace or sharpen the anti-kickback pawls when points become dull.** Sharp anti-kickback pawls minimize kickback.
- o. **Keep sawblade guard, riving knife and anti-kickback pawls in place and operating properly.** The riving knife must be in alignment with the sawblade and the pawls must stop a kickback once it has started. Check their action before ripping. Keeping these parts operating properly minimizes kick-back.

4. Table saw operating procedure warnings

- a. **Turn off the table saw and disconnect the power cord when removing the table insert, changing the saw blade or making adjustments to the riving knife, antikickback device or saw blade guard, and when the machine is left unattended.** Precautionary measures will avoid accidents.
- b. **Never leave the table saw running unattended. Turn it off and don't leave the tool until it comes to a complete stop.** An unattended running saw is an uncontrolled hazard.
- c. **Locate the table saw in a well-lit and level area where you can maintain good footing and balance. It should be installed in an area that provides enough room to easily handle the size of your workpiece.** Cramped, dark areas, and uneven slippery floors invite accidents.
- d. **Frequently clean and remove sawdust from under the saw table and/or the dust collection device.** Accumulated sawdust is combustible and may self-ignite.
- e. **The table saw must be secured.** A table saw that is not properly secured may move or tip over.
- f. **Remove tools, wood scraps, etc. from the table before the table saw is turned on.** Distraction or a potential jam can be dangerous.
- g. **Always use saw blades with correct size and shape (diamond versus round) of arbor holes.** Saw blades that do not match the mounting hardware of the saw will run off-center, causing loss of control.
- h. **Never use damaged or incorrect saw blade mounting means such as flanges, saw blade washers, bolts or nuts.** These mounting means were specially designed for your saw, for safe operation and optimum performance.
- i. **Never stand on the table saw, do not use it as a stepping stool.** Serious injury could occur if the tool is tipped or if the cutting tool is accidentally contacted.
- j. **Make sure that the saw blade is installed to rotate in the proper direction. Do not use grinding wheels, wire brushes, or abrasive wheels on a table saw.** Improper saw blade installation or use of accessories not recommended may cause serious injury.
- k. **Use only accessories that are recommended by the manufacturer for your model.** Accessories that may be suitable for one tool, may become hazardous when used on another tool.
- l. **If you stall or jam the sawblade in the workpiece, turn saw "OFF" and eliminate reason for stalling or jamming before restarting. Remove the workpiece from the sawblade, and replace if it is binding. Check to see if the sawblade is parallel to the table slots or grooves and if the riving knife is in proper alignment with the sawblade.** If ripping at the time, check to see if rip fence is parallel with the sawblade. Readjust as indicated.
- m. **Do not remove small pieces of cut-off material that may become trapped inside the blade guard while the saw is running. Turn saw "OFF" and wait until blade stops.** Removal of such pieces while saw is running could endanger your hands or cause a kickback.
- n. **Crosscutting operations are more conveniently worked and with greater safety if an auxiliary wood facing is attached to the miter gauge.** See page 32.
- o. **Do not use any blade or other cutting tool marked for an operating speed less than 3650 R.P.M.** Using a blade or other cutting tool that is rated less could cause personal injury. Never use a cutting tool larger in diameter than the diameter for which the saw was designed. For greatest safety and efficiency when ripping, use the maximum diameter blade for which the saw is designed, since under these conditions the riving knife is nearest the blade.
- p. **Make sure the table insert is flush or slightly below the table surface on all sides except for rear side. NEVER operate the saw unless the proper insert is installed.** Operation without proper insert can lead to kickback and personal injury.

Additional Safety Rules

Develop a periodic maintenance schedule for your tool. When cleaning a tool be careful not to disassemble any portion of the tool since internal wires may be misplaced or pinched or safety guard return springs may be improperly mounted. Certain cleaning agents such as gasoline, carbon tetrachloride, ammonia, etc. may damage plastic parts.

⚠ WARNING Some dust created by power sanding, sawing, grinding, drilling, and other construction activities contains chemicals known to cause cancer, birth defects or other reproductive harm. Some examples of these chemicals are:

- Lead from lead-based paints,
- Crystalline silica from bricks and cement and other masonry products, and
- Arsenic and chromium from chemically treated lumber.

Your risk from these exposures varies, depending on how often you do this type of work. To reduce your exposure to these chemicals: work in a well ventilated area, and work with approved safety equipment, such as those dust masks that are specially designed to filter out microscopic particles.

THINK SAFETY

SAFETY IS A COMBINATION OF OPERATOR COMMON SENSE AND ALERTNESS AT ALL TIMES WHEN POWER TOOLS ARE BEING USED.

SAVE THESE INSTRUCTIONS

Intended Use

⚠ WARNING Use this table saw only as intended. Unintended use may result in personal injury and property damage.

This table saw is designed for professional rip, cross, miter, bevel and non-thru cut applications in various materials.

Do not use this table saw for cutting metals, such as aluminum or copper, or any masonry or cement materials.


Do not use wobble or adjustable dado sets with this table saw.

Do not perform tapered cuts without a tapered jig accessory.

Specifications

Voltage	120V~ 60Hz
Amperage	15A
No load speed	3650/min (RPM)
Blade diameter	Ø10" (254mm)
Rip cut right - closed	14-1/2" (368 mm)
Rip cut right - extended	30" (760 mm)
Rip cut left	9-1/4" (235 mm)
Depth of cut at 90°	3-1/8" (79 mm)
Depth of cut at 45°	2-1/4" (57mm)
Factory set bevel range	0° / 45°
Bevel range without stops	-2° / 47°
Dado blade diameters	8" (203 mm) and 6" (152 mm)
Maximum dado stack width	13/16" (20.6 mm)

Double Insulated Tools

Double insulation  is a design concept used in electric power tools which eliminates the need for the three wire grounded power cord and grounded power supply system. It is a recognized and approved system by Underwriter's Laboratories, CSA and Federal OSHA authorities.

IMPORTANT: Servicing of a tool with double insulation requires care and knowledge of the system and should be performed only by a qualified service technician.

WHEN SERVICING, USE ONLY IDENTICAL REPLACEMENT PARTS.

POLARIZED PLUGS. To reduce the risk of electrical shock, your tool is equipped with a polarized plug (one blade is wider than the other), this plug will fit in a polarized outlet only one way. If the plug does not fit fully in the outlet, reverse the plug. If it still does not fit, contact a qualified electrician to install the proper outlet. To reduce the risk of electrical shock, do not change the plug in any way.

Extension Cords

Replace damaged cords immediately. Use of damaged cords can shock, burn or electrocute.

If an extension cord is necessary, a cord with adequate size conductors should be used to prevent excessive voltage drop, loss of power or overheating. The table shows the correct size to use, depending on cord length and nameplate amperage rating of tool. If in doubt, use the next heavier gauge. Always use U.L. and CSA listed extension cords.





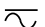


RECOMMENDED SIZES OF EXTENSION CORDS 120 VOLT ALTERNATING CURRENT TOOLS

Tool's Ampere Rating	Cord Size in A.W.G.				Wire Sizes in mm ²			
	Cord Length in Feet				Cord Length in Meters			
	25	50	100	150	15	30	60	120
3-6	18	16	16	14	0.75	0.75	1.5	2.5
6-8	18	16	14	12	0.75	1.0	2.5	4.0
8-10	18	16	14	12	0.75	1.0	2.5	4.0
10-12	16	16	14	12	1.0	2.5	4.0	-
12-16	14	12	-	-	-	-	-	-

NOTE: The smaller the gauge number, the higher the cord capacity.












Symbols

Important: Some of the following symbols may be used on your tool. Please study them and learn their meaning. Proper interpretation of these symbols will allow you to operate the tool better and safer.

Symbol	Designation / Explanation
V	Volts (voltage)
A	Amperes (current)
Hz	Hertz (frequency, cycles per second)
W	Watt (power)
kg	Kilograms (weight)
min	Minutes (time)
s	Seconds (time)
CFM	Cubic feet per minute [or ft ³ /min] (air flow rate)
∅	Diameter (size of drill bits, grinding wheels, etc.)
n ₀	No load speed (rotational speed at no load)
n	Rated speed (maximum attainable speed)
.../min	Revolutions or reciprocation per minute (revolutions, strokes, surface speed, orbits etc. per minute)
0	Off position (zero speed, zero torque...)
1, 2, 3, ... I, II, III,	Selector settings (speed, torque or position settings. Higher number means greater speed)
0 	Infinitely variable selector with off (speed is increasing from 0 setting)
	Arrow (action in the direction of arrow)
	Alternating current (type or a characteristic of current)
	Direct current (type or a characteristic of current)
	Alternating or direct current (type or a characteristic of current)
	Class II construction (designates double insulated construction tools)
	Earthing terminal (grounding terminal)

Symbols

Important: Some of the following symbols may be used on your tool. Please study them and learn their meaning. Proper interpretation of these symbols will allow you to operate the tool better and safer.

Symbol	Designation / Explanation
	Alerts user to read manual
	Alerts user to wear eye protection
	This symbol designates that this tool is listed by Underwriters Laboratories.
	This symbol designates that this component is recognized by Underwriters Laboratories.
	This symbol designates that this tool is listed by Underwriters Laboratories, to United States and Canadian Standards.
	This symbol designates that this tool is listed by the Canadian Standards Association.
	This symbol designates that this tool is listed by the Canadian Standards Association, to United States and Canadian Standards.
	This symbol designates that this tool is listed by the Intertek Testing Services, to United States and Canadian Standards.
	This symbol designates that this tool complies to NOM Mexican Standards.
	Designates Li-ion battery recycling program
	Designates Ni-Cad battery recycling program

Getting To Know Your Table Saw

1. POWER SWITCH

Switch incorporates a locking hasp for use with padlock to prevent accidental starting.

2. TABLE

Provides large working surface to support workpiece.

3. BASE / SUB-BASE

Supports table saw. Sub-base provides additional stability and ability for easy sliding onto surfaces. Holes are provided in base to bolt the saw to a workbench or stand.

4. BLADE BEVEL LOCK HANDLE

Locks the blade to desired bevel angle.

5. TABLE EXTENSION

Provides a larger work surface for wider workpieces.

6. TABLE EXTENSION LOCK HANDLE

Allows you to lock the table extension at desired distances.

7. ELEVATION WHEEL

Elevates or lowers the blade. Use with Blade Bevel Lock Handle **4** to tilt the blade 0 to 45 degrees.

8. BLADE BEVEL SCALE

Shows the degree the blade is tilted.

9. RIP FENCE SCALE

Shows the distance from the blade to rip fence through a convenient viewing and magnifying window. Lower portion of scale can be used up to 14.5 inches. Upper portion of scale is used for cuts beyond 14.5 inches.

10. MITER GAUGE

Head can be locked at desired angle for crosscutting or mitering by tightening the lock knob. ALWAYS SECURELY LOCK IT WHEN IN USE.

11. RIP FENCE STORAGE

Conveniently stores rip fence when not in use.

12. PRE-CUT (KERF) INDICATOR

Allows you to mark and locate exactly where the blade will enter the workpiece.

13. MITER GAUGE STORAGE

Conveniently stores miter gauge when not in use.

14. BLADE STORAGE AND WRENCH

Allows you to store 10" blades and arbor wrench.

15. HEX WRENCH

Hex wrench is used for maintaining saw alignment.

16. CORD WRAP

Allows you to easily secure the cord so it's out of the way when transporting or storing.

17. VACUUM HOOK-UP

Your table saw is equipped for vacuum hook-up. This feature will allow you to attach any 2-1/4" vacuum hose into the dust port provided for convenient sawdust removal. An adaptor is available for use with alternate hose sizes.

18. RIP FENCE

Exclusive Self-Aligning, Squarelock rip fence can be easily moved or locked in place by simply raising or lowering lock handle.

19. SMART GUARD SYSTEM

Consists of three key elements: Adjustable (3 position) Riving Knife, Anti-Kickback Device, and Barrier Guard Device. All of these are part of a modular system that requires no tools to assemble or unassemble. This Guard System must always be in place and working properly for all thru-sawing cuts.

20. SMART GUARD SYSTEM STORAGE

When not in use, the Main Barrier Guard and Anti-Kickback Device can be stored under the right side table extension.

21. TABLE INSERT

Removable for removing or installing blade or other cutting tools.

22. PUSH STICK

Allows you to rip smaller pieces of stock with a greater level of safety.

23. PUSH STICK HOLDER

Securely stores push stick when not in use.

24. MOUNTING HOLES

Used to secure the saw to a work stand or bench.

25. THIN WORKPIECE FENCE

Used when ripping workpieces 1/8 of an inch or thinner.

26. THIN WORKPIECE FENCE STORAGE

Used to store thin workpiece fence in combination with cord wraps **16**.

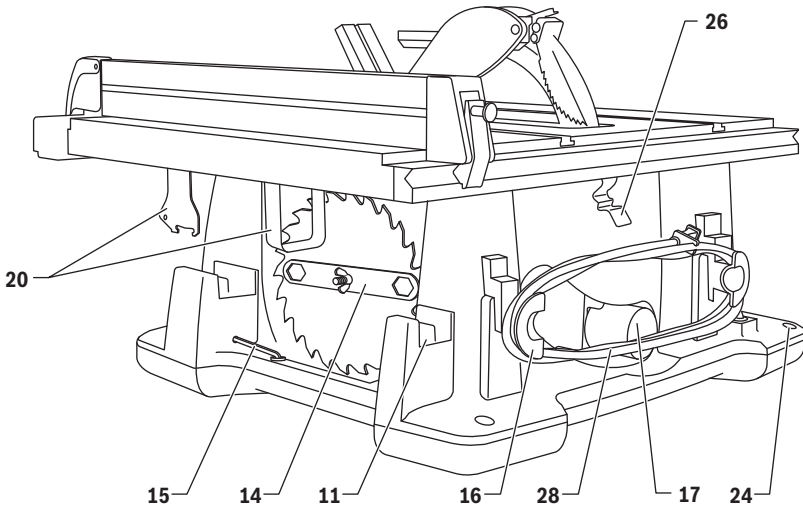
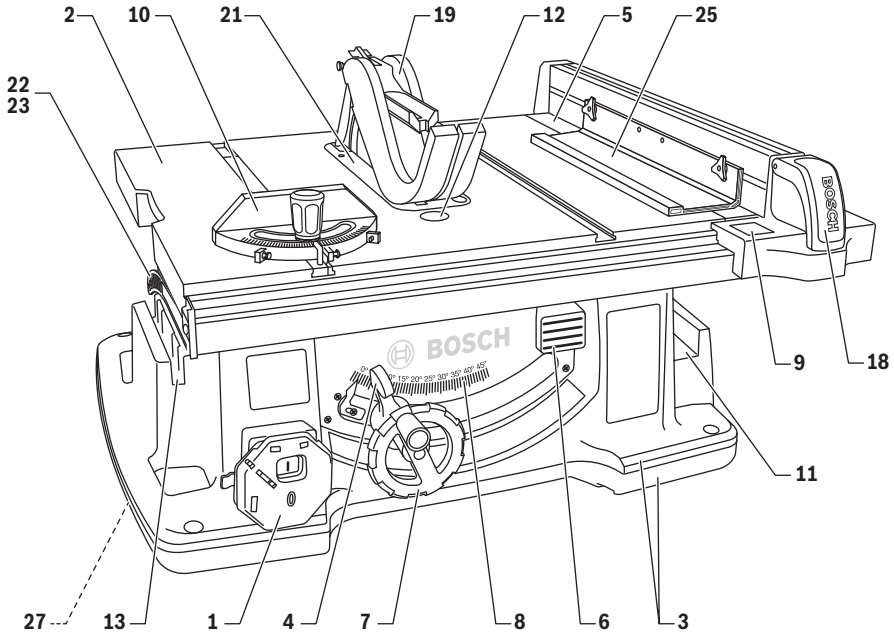
27. BOTTOM SCREEN

Attached to underside of base, the bottom screen prevents unintended access to inside of the saw.

28. POWER CORD

Getting To Know Your Table Saw

Fig. 1



Glossary of Terms

ANTI-KICKBACK DEVICE (also known as dogs or pawls): Spring-loaded pawls that engage the work piece as it is being fed through the saw. They restrict movement of the work piece back in the direction of the operator.

ARBOR: The shaft on which a cutting tool is mounted.

BARRIER GUARD: An assembly that consists of the mounting fork and two side barriers. This assembly is intended to provide a physical barrier between the operator and the spinning saw blade.

BEVEL: Blade angle relative to the table surface.

CROSSCUT: A cutting or shaping operation made across the width of the workpiece cutting the workpiece to length.

DADO: A non-through cut which produces a square sided notch or trough in the workpiece.

FEATHERBOARD: A device which can help guide workpieces during rip type operation by keeping workpiece in contact with the rip fence. It also helps prevent kickback.

FREEHAND: Performing a cut without a fence, miter gauge, fixture, hold down or other proper device to keep the workpiece from twisting during the cut and can be a safety hazard.

GUM: A sticky, sap-based residue from wood products. After it has hardened, it is referred to as "RESIN".

HEEL: Misalignment of the blade which causes the trailing or outfeed side of the blade to contact the cut surface of the workpiece. Heel can cause kickback, binding, excessive force, burning of the workpiece or splintering. In general, heel creates a poor quality cut and can be a safety hazard.

KERF: The space in the workpiece where the material was removed by the blade.

KICKBACK: An uncontrolled grabbing and throwing of the workpiece back toward the front of the saw during a rip type operation.

LEADING END: The end of the workpiece which, during a rip type operation, is pushed into the cutting tool first.

MOLDING: A non-through cut which produces a special shape in the workpiece used for joining or decoration.

NON THROUGH SAWING: Any cutting operation where the blade does not extend through the workpiece (e.g. Dado, Rabbet).

PARALLEL: Position of the rip fence equal in distance at every point to the side face of the saw blade.

PERPENDICULAR: 90° (right angle) intersection or position of the vertical and horizontal planes such as the position of the saw blade (vertical) to the table surface (horizontal).

PUSH BLOCK: A device used for ripping-type operations too narrow to allow use of a Push Stick. Use a Push Block for rip widths less than 2 inches.

PUSH STICK: A device used to feed the workpiece through the saw during narrow ripping-type operation and helps keep the operator's hands well away from the blade. Use the Push Stick for rip widths less than 6 inches and more than 2 inches.

RABBET: A notch in the edge of a workpiece. Also called an edge dado.

REVOLUTIONS PER MINUTE (R.P.M.): The number of turns completed by a spinning object in one minute.

RIPPING: A cutting operation along the length of the workpiece cutting the workpiece to width.

RIVING KNIFE OR SPREADER: A device that keeps the kerf of the work piece open as the material is cut. This minimizes the potential of the work piece binding against the saw blade.

SMART GUARD: A system made up of 3 components: Riving Knife / Splitter, Anti-Kickback Device, and Main Barrier Guard.

THROUGH SAWING: Any cutting operation where the blade extends through the workpiece.

THROWBACK: Event when a small cut-off piece is caught by the back of the blade and thrown toward the operator.

WORKPIECE: The item on which the cutting operation is being performed. The surfaces of a workpiece are commonly referred to as faces, ends and edges.

Unpacking And Checking Contents

⚠ WARNING To avoid injury from unexpected starting or electrical shock during unpacking and setting up, do not plug the power cord into a source of power. This cord must remain unplugged whenever you are working on the table saw.

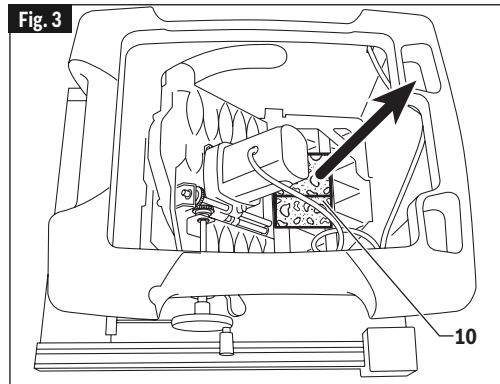
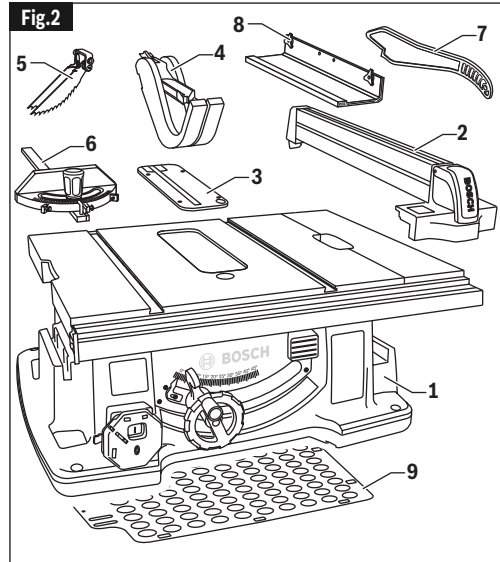
⚠ WARNING If any parts are missing, do not attempt to assemble the table saw, plug in the power cord or turn the switch on until the missing parts are obtained and are installed correctly.

Model 4100XC table saw is shipped complete in one carton.

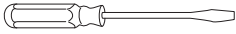
Separate all parts from packing materials and check each one with the illustration and the list of loose parts to make certain all items are accounted for before discarding any packing material (Fig. 2).

TABLE OF LOOSE PARTS		
ITEM	DESCRIPTION	QTY.
1	Table saw assembly	1
2	Rip fence	1
3	Table insert	1
4	Barrier guard assembly	1
5	Anti-kickback device	1
6	Miter gauge	1
7	Push stick	1
8	Thin workpiece fence	1
9	Bottom Screen	1
10	Styrofoam block (for shipping purposes only)	1

NOTE: Remove styrofoam block **10** (for shipping purpose only) located between the table and motor (Fig. 3). You may cause damage to the blade elevation system if trying to raise blade if styrofoam is not removed.



Tools Needed For Assembly



FLAT SCREWDRIVER



PHILLIPS SCREWDRIVER



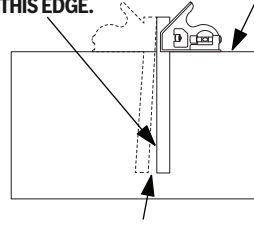
COMBINATION SQUARE



10 mm WRENCH OR
ADJUSTABLE WRENCH

COMBINATION SQUARE MUST BE TRUE

STRAIGHT EDGE OF BOARD
3/4" THICK. THIS EDGE
MUST BE PERFECTLY
STRAIGHT.
DRAW LIGHT LINE ON
BOARD ALONG THIS EDGE.



SHOULD BE NO GAP OR OVERLAP
HERE WHEN SQUARE IS FLIPPED
OVER IN DOTTED POSITION.

⚠ WARNING Disconnect plug from power source before performing any assembly, adjustment or repair to avoid possible injury.

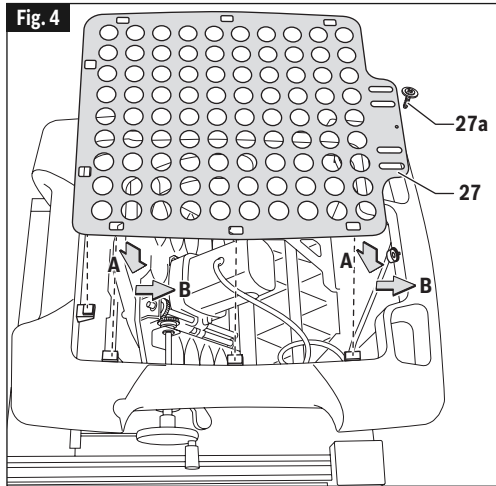
Assembly

Attaching Bottom Screen

⚠ WARNING Disconnect plug from power source before performing any assembly, adjustment or repair to avoid possible injury.

After removing styrofoam block (see Fig. 3), align screen mounting holes with base mounting tabs.

Lower the screen **27** down (**A**), slide to the right (**B**), then fasten with screw **27a** (Fig. 4). Periodically inspect the bottom screen for trapped debris and clean if necessary.



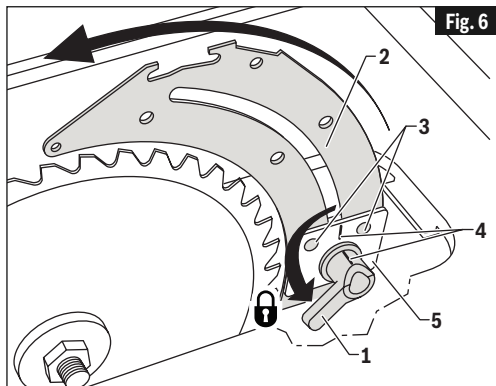
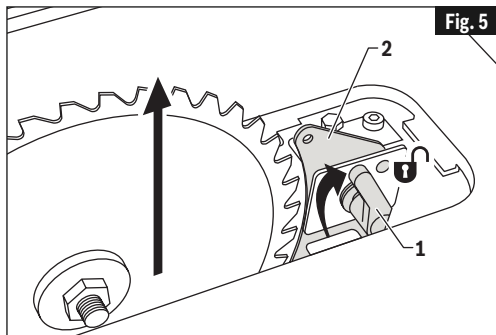
Attaching the Smart Guard System

⚠ WARNING To prevent personal injury, always disconnect plug from power source before attaching or removing the Smart Guard System.

POSITIONING THE RIVING KNIFE

⚠ WARNING Fully secure the riving knife before using the table saw. A loose riving knife may slip into blade and be thrown towards you.

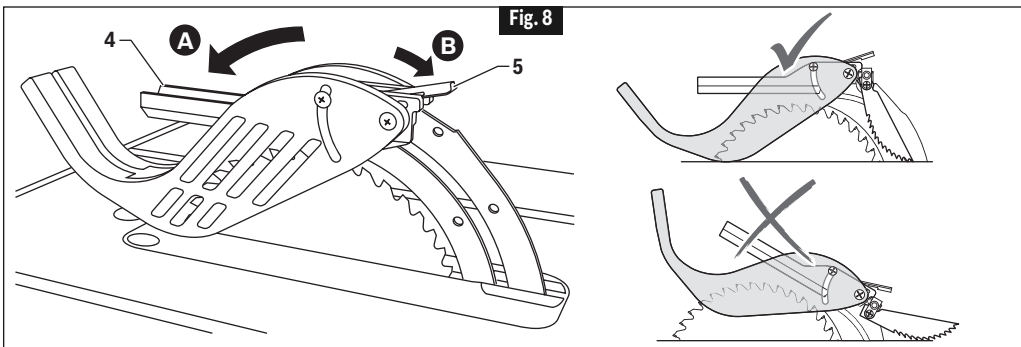
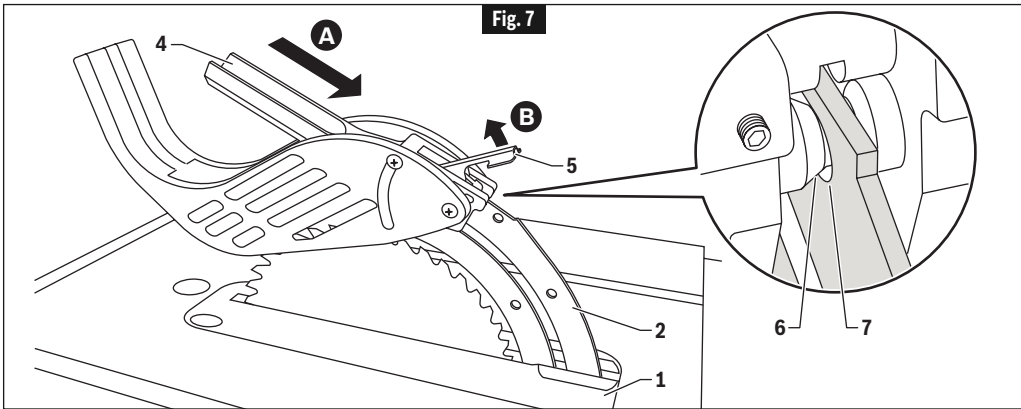
1. Remove table insert **21** using finger hole (Fig. 1).
2. Raise the blade as high as it will go by rotating elevation wheel **7** clockwise and set the blade perpendicular to table [0° on bevel scale] (Fig. 1).
3. Rotate the riving knife release lever **1** clockwise, so that it points upward (Fig. 5).
4. Pull riving knife **2** towards release lever by disengage it from the pins **3** (Fig. 6).
5. Slide the riving knife up to its highest position, so that it is directly over the center of the blade (Fig. 6).
6. Align holes in riving knife with pins **3** and ensure pins engage riving knife holes. Lock the riving knife release lever by rotating it counterclockwise. Firmly push lock lever to secure riving knife then push/pull riving knife to verify that it is locked in place. The indicator lines **4** on the lever and clamp **5** must be aligned as shown (Fig. 6).
7. Check alignment of the riving knife with the blade before replacing table insert and attaching the guard assembly (refer to



“Riving Knife Alignment” section on page 26). If not aligned with the blade, then repeat the process of positioning the riving knife and be sure that the pins are fully engaged in the riving knife holes.

8. Replace table insert (Fig. 7).

Assembly



ATTACHING THE GUARD ASSEMBLY

9. With one hand, hold the front of the barrier guard assembly by the "fork" 4. With the other hand, hold the guard release lever 5 up (Fig. 7).
10. Lower the rear of guard assembly and slip the cross bar 6 into the rear notch 7 on top of the riving knife 2 (Fig. 7).
11. Lower the front of the guard assembly until the "fork" is parallel with the table (Fig. 8).
12. Press down on the guard release lever until you feel and hear it snap into the locking position. Check that the guard assembly is securely connected (Fig. 8).

ATTACHING THE ANTI-KICKBACK DEVICE

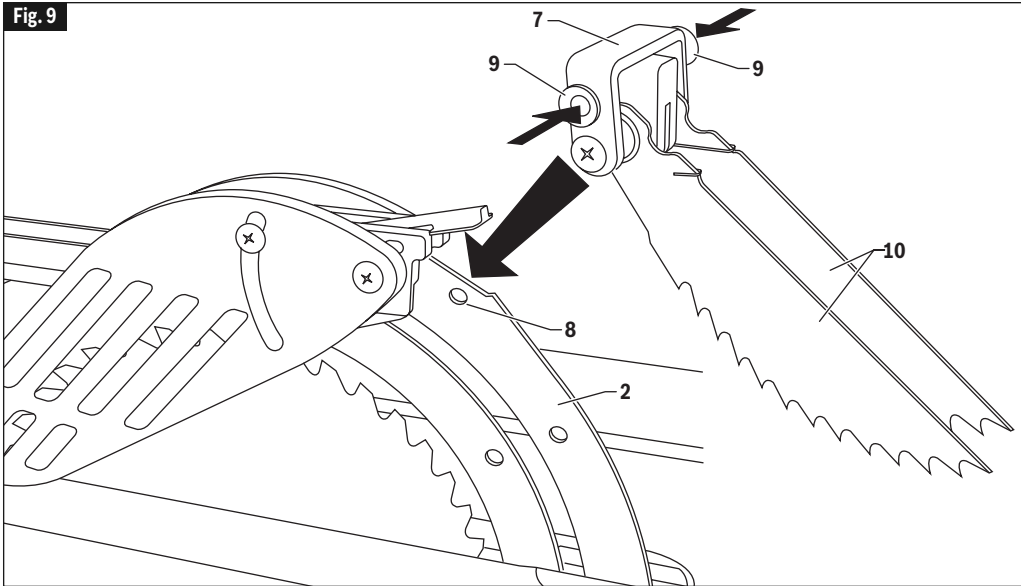
13. Attach the anti-kickback device 7 into the flat recessed area 8 of the riving knife 2 (Fig. 9).

14. Squeeze the compression pins 9 while nesting the device into the flat area (Fig. 9).
15. Release the compression pins such that the anti-kickback device locks onto the riving knife immediately behind the guard assembly. Check that the attachment pin is securely connected into locking hole. Carefully raise and lower the pawls 10 – when letting go, the spring-loaded pawls must come down and contact the table insert (Fig. 9).

Tip: Position the Anti-kickback device behind the flat recessed area and slide it towards the front until it drops into the recessed area – then release the compression pins.

Note: The two attachments are independent of each other, so the anti-kickback device can be attached before the Guard Assembly.

Assembly



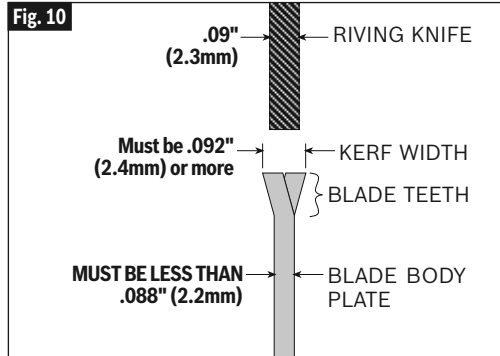
Selecting and Changing the Blade

⚠ WARNING To prevent personal injury, always disconnect plug from power source before changing blades.

USING THE CORRECT BLADE

IMPORTANT: The saw blade provided on this tool has a carbide-tipped kerf width of .102" (2.6mm) and a plate (body) thickness that is .071" (1.8mm) thick. When looking for a replacement blade, select one with dimensions close to the original blade. This information may not be printed on the blade's packaging. If not, check the manufacturer's catalog or website. Bosch offers an extensive line of Premium-Quality Professional Saw Blades that match the requirements for this tool. You must select a blade with a kerf width of .092" (2.3mm) or more and a plate (body) thickness .088" (2.2mm) or less (Fig. 10).

⚠ WARNING To reduce the risk of injury, do not use extra thin kerf saw blades. The kerf of the blade must be wider than .092" (2.3mm). Extra thin kerf saw blades (less than .092" [2.3mm]) may cause the work piece to bind against the riving knife during cutting. It is recommended



that the kerf of the replacement blade used on this saw be .092" (2.3mm) or more.

⚠ WARNING To reduce the risk of injury, do not use saw blades made with a thick body plate. If the replacement saw blade's plate thickness is greater than .088" (2.2mm), the riving knife would not properly serve as an aid to reduce kickback. The replacement blade's plate thickness must be less than .088" (2.2mm).

⚠ WARNING To reduce the risk of injury, do not use blade "dampeners," "stabilizers," or "stiffening collars" on both sides of a replacement blade. These are metal plates positioned against the sides of the blade to reduce de-

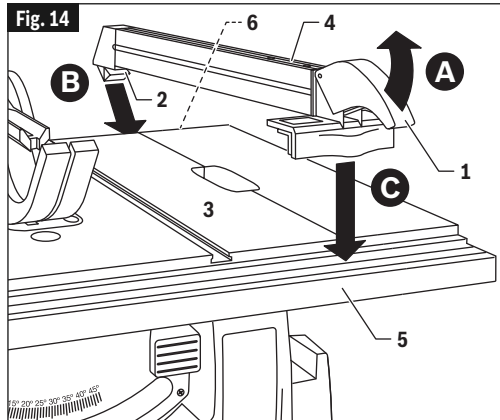
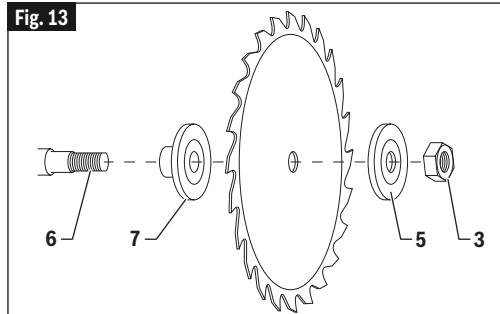
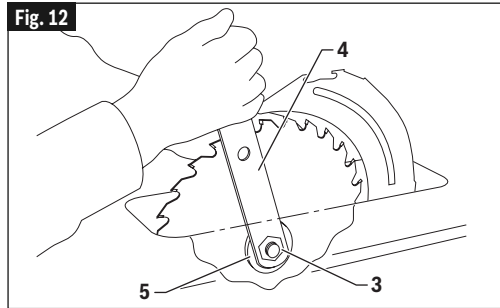
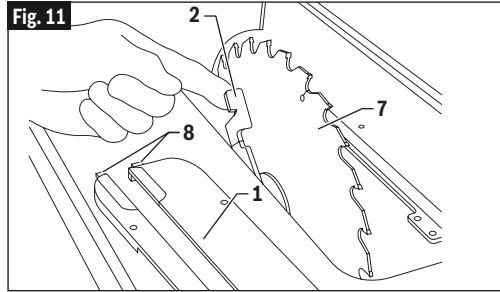
Assembly

flexion that may occur when using thin saw blades. Use of these devices on both sides will prevent the blade from being properly aligned with the riving knife, which may bind the work piece during cutting. One “stabilizer” plate may be placed only against the outside of a thin replacement blade. These plates are not required with the supplied Bosch blade.

CHANGING THE BLADE

CAUTION Always wear gloves when changing or handling blades. Blade tips can cause personal injury.

1. Turn elevation wheel **9** (Fig. 1) clockwise until the blade is up as high as it will go, remove table insert **1** using finger hole (Fig. 11).
 2. Lift up arbor lock lever **2** and slowly rotate blade by hand until lock fully engages saw arbor and stops rotation (Fig. 11). Loosen arbor nut **3** counter clockwise with the arbor wrench **4** provided (Fig. 12). Set arbor wrench aside and continue to loosen arbor nut by hand and remove arbor nut and outer washer **5**. Blade may now be removed or installed by sliding on or off arbor shaft **6**.
 3. Assemble inner washer **7** and new blade as shown in figure 13, making certain the **TEETH OF THE BLADE ARE POINTING DOWN AT THE FRONT OF THE TABLE**.
- NOTE:** The printing on different saw blades are not always on the same side.
4. Assemble outer washer **5**, arbor nut **3** as shown in figure 13. While lifting up arbor lock lever **2** securely tighten arbor nut clockwise with the arbor wrench **4** (Fig. 12).
 5. Position table insert **1** in pocket of table so tabs **8** on table insert are in slots in pocket of table and push down and secure in place.



Attaching Rip Fence

- A. Raise rip fence handle **1**, so holding clamp **2** is out far enough to fit on the table **3** and into “V” groove located on the back of rear rail **6** (Fig. 14).
- B. Position the rip fence **4** over table **3** holding up the front end, first engage holding clamp **2** with rear rail.
- C. Lower front end onto front rail **5**.

Assembly

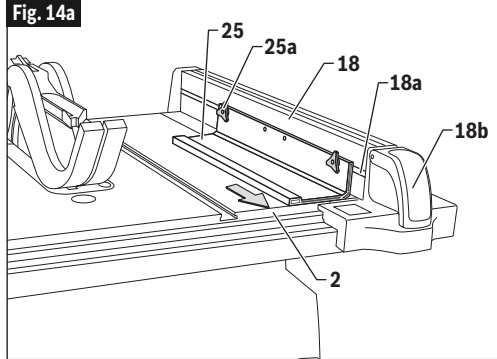
Attaching Thin Workpiece Fence

Make sure the fasteners **25a** are in the outer two holes. Slide the rip fence **18** away from the blade. Set the thin workpiece fence on the table, turn the fasteners so that the heads align with the slot **18a** on the rip fence.

Slide the thin workpiece fence towards the rip fence handle **18b** and align the front edge of the thin workpiece fence with edge of the table **2**. Tighten the fasteners (Fig. 14a).

Set the thin workpiece fence to the desired distance from the blade. **NOTE:** the thin workpiece fence is 3" (76mm) wide. When using the rip fence scale, subtract 3" (76mm) from the scale reading to get the desired setting. For example, a scale reading of 4-1/2" (114mm) positions the thin workpiece fence 1-1/2" (38mm) from the blade.

To remove the Thin Workpiece Fence, loosen fasteners and reverse the installation steps. After removal, tighten fasteners to prevent loss. Store Thin Workpiece Fence as shown on page 22.

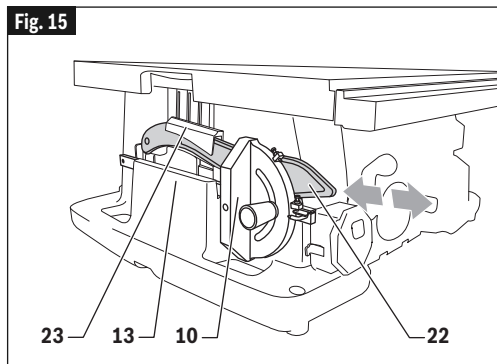


Storage, Transportation, and Mounting

MITER GAUGE AND PUSH STICK STORAGE

When not in use, store miter gauge **10** in miter gauge storage slot **13** on the left side panel of the saw (Fig. 15).

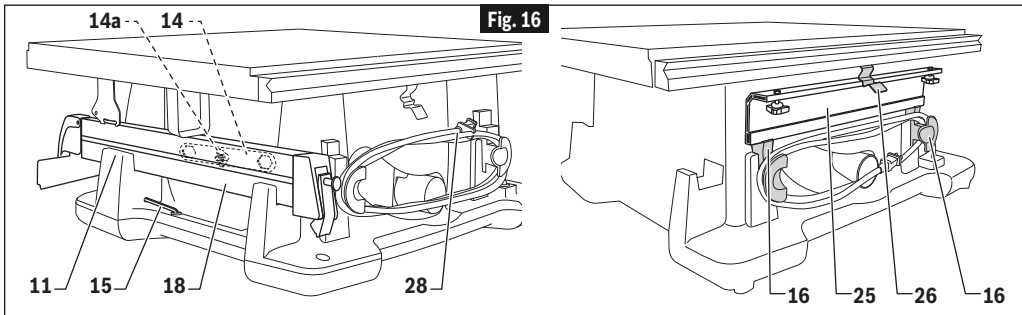
When not in use, slide push stick **22** into push stick storage slot **23**. Make sure to insert push stick handle first as shown in Fig. 15.



Storage, Transportation, and Mounting

RIP FENCE AND THIN WORKPIECE FENCE STORAGE

- When not in use, store rip fence **18** in rip fence storage **11** on the right side panel of the saw (Fig. 16).
- Store the blade wrench **14** in its dedicated area, secured with a wing nut **14a** (Fig. 16).
- Wrap the power cord **28** around the cord wrap **16** (Fig. 16).
- Mount the 5mm hex wrench **15** in its dedicated storage location on the right side of the base (Fig. 16).
- To store the thin workpiece fence **25**, lift the clip **26** and place the fence on the “shoulders” of the red cord wraps **16** as shown. Release the clip **26** to secure the fence **25** in place.

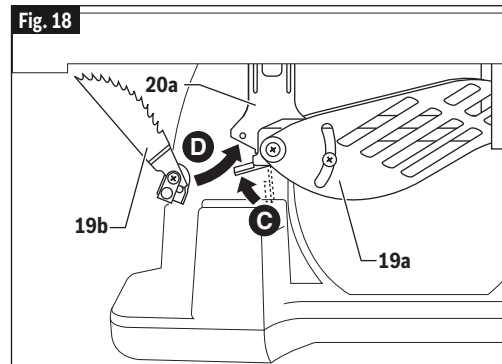
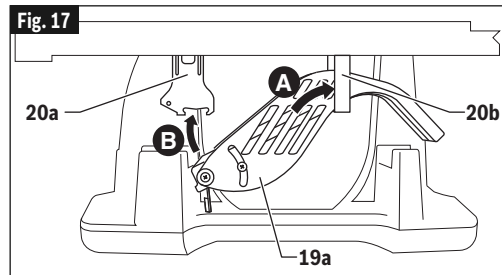


SMART GUARD SYSTEM STORAGE

⚠ WARNING Use of all the components of the Smart Guard System, including Main Barrier Guard, Anti-Kickback Device, and Riving Knife is highly recommended to provide protection against accidents and injury.

When not in use, the main barrier guard and anti-kickback device can be stored under the right side table extension.

- Slide the main barrier guard assembly **19a** (upside down) up and back into the strap support **20b** at the rear right side of the saw (Fig. 17).
- Pivot the rear of the guard up and into the front mounting bracket **20a** (Fig. 17).
- Lock the main barrier guard assembly **19a** into place in the same manner as you would attach it to the riving knife (Fig. 18).
- Attach the anti-kickback device **19b** to the front mounting bracket in the same manner that it attaches to the riving knife (Fig. 18).



Storage, Transportation, and Mounting

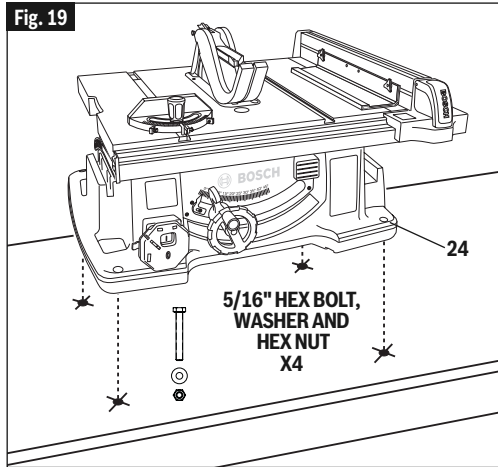
MOUNTING THE TABLE SAW

If table saw is to be used in a permanent location, it should be fastened securely to a firm supporting surface such as a stand or workbench, using the four mounting holes **24** (Fig. 19).

1. If mounting to a workbench, the base should be bolted securely using 5/16" (M8) hex bolts (not included) through mounting holes.

Hint: If workbench is 3/4" (19mm) thick, bolts will have to be at least 3-1/2" (90mm) long - if workbench is 1-1/2" (38mm) thick, bolts should be at least 4-1/2" (114mm) long.

2. Locate and mark where the saw is to be mounted, relative to holes in the base of the tool.
3. Drill four (4) 3/8" (9.5mm) diameter holes through workbench.
4. Place table saw on workbench aligning holes in base with holes drilled in workbench.



5. Insert four (4) 5/16" dia. bolts through holes in base and supporting surface; then secure with (4) 5/16" flat washers and (4) 5/16" hex nuts (hardware not included).

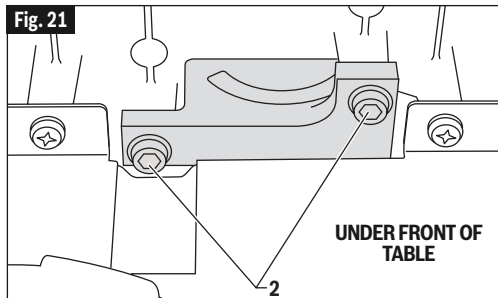
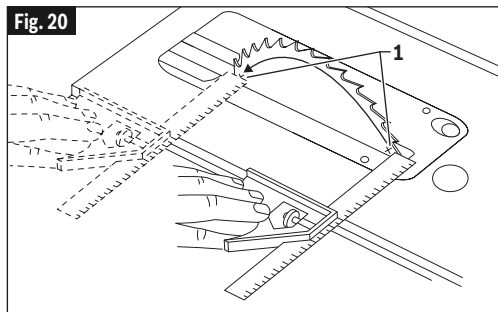
Adjustments

Adjusting Blade Parallel to the Miter Gauge Slots

⚠ WARNING To prevent personal injury, always disconnect the plug from power source before making any adjustments.

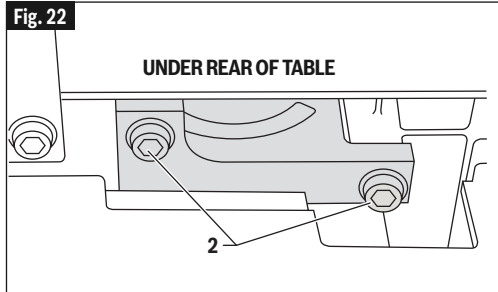
The blade was adjusted parallel to the miter gauge slots at the factory. In order to ensure accurate cuts and help prevent kickback, this adjustment should be rechecked. If adjustment is necessary, follow the steps below.

1. Turn elevation wheel **7** (Fig. 1) and raise blade as high as it will go.
2. Select a point on the body of the saw blade that is set to the left when viewing blade from the front of saw, and mark **1** with a pencil (Fig. 20).
3. Place the base of a combination square against the edge of the miter gauge slot, and extend the sliding rule of square so it just touches the marked point **1** on the body of the saw blade at the rear of the table.



Adjustments

4. Rotate blade and check the same marked point **1** of the saw blade at the front of the table (Fig. 20).
5. If the front and back measurements, shown in Figure 22, are not identical, loosen the four alignment bolts **2**, located on the underside of the table at the front and rear of the saw with hex wrench supplied with your saw (Fig. 21 and 22). Carefully move the saw blade until the blade is parallel to the miter gauge slot, and securely tighten all four bolts.

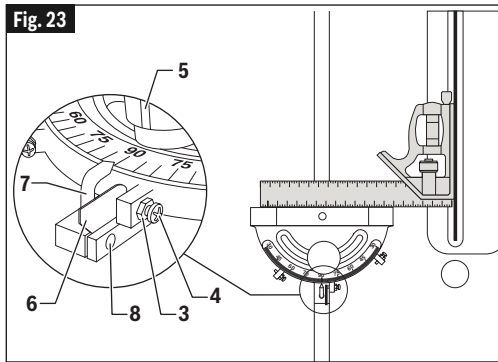


MITER GAUGE ADJUSTMENT

To check your miter gauge accuracy, move the miter gauge in line with blade and use a combination square to make sure the miter gauge body is 90 degrees to the blade (Fig. 23).

To adjust the miter gauge for 90 degrees:

1. Loosen lock nut **3**, adjustment screw **4**, and lock knob **5**.
2. Flip stop plate **6** down.
3. Rotate miter gauge body until it is 90 degrees to the blade.
4. Tighten lock knob **5**.
5. Flip stop plate **6** up and tighten adjustment screw **4** until it contacts stop plate.
6. Tighten lock nut **3**.
7. If pointer **7** is not pointing to 90 degrees, loosen set screw **8** on side of miter gauge bar and rotate pointer **7** to 90 degree mark. Tighten set screw **8**.
8. To adjust the miter gauge for 45 degree left and right, repeat steps 1–6, but use 45 degree stops.



Adjustments

Rip Fence Adjustments

ALIGNING RIP FENCE

⚠WARNING To prevent personal injury, always disconnect plug from power source before making any adjustments. The rip fence must be parallel with the SAWBLADE in order to prevent KICK-BACK when ripping.

⚠WARNING To prevent personal injury, always make sure the rip fence is locked before making rip cuts.

Your table saw is equipped with a self-aligning, quick-set rip fence. Once the adjustments below have been made, the rip fence will self align when the rip fence is locked into position.

NOTE: The blade must be parallel with the miter gauge slots (refer to "Adjusting Blade Parallel to the Miter Gauge Slots" section, page 23) and be perpendicular to table before proceeding with rip fence alignment.

1. Lift both guard barriers **2** to their up locked position.
2. Raise lock handle **1** and slide rip fence **3** until it is alongside the sawblade, by lifting right side pawl **4** above rip fence (Fig. 24).

The rip fence should touch the blade teeth at the front and rear of the blade. If rip fence does not touch the teeth at front and rear of blade continue with the following the steps:

3. Loosen the two screws **5** on the top front section of the rip fence using the included 5mm hex wrench.
4. Move rip fence **3** until it touches the teeth and is parallel to the blade.
5. Hold rip fence in place and lower lock handle, check to make sure the rip fence stayed parallel to the blade then tighten screws (Fig. 24).
6. Clamp rip fence to check if it holds securely at front and rear. If rear is not clamped securely, unclamp rip fence and turn rear clamp adjustment screw **6** clockwise for increased clamping. Try clamping the rip fence to verify if it self aligns and clamps tightly at the front and rear. Overtightening of the rear clamp adjustment screw **6** will cause the rip fence to be non-self aligning (Fig.

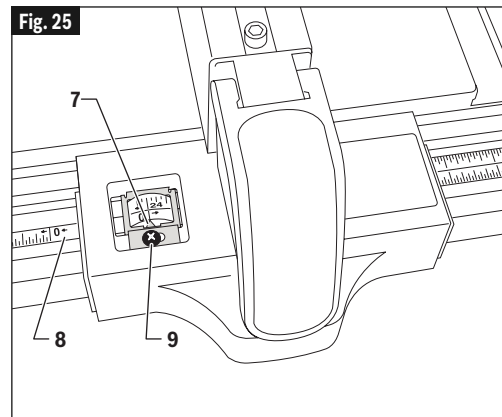
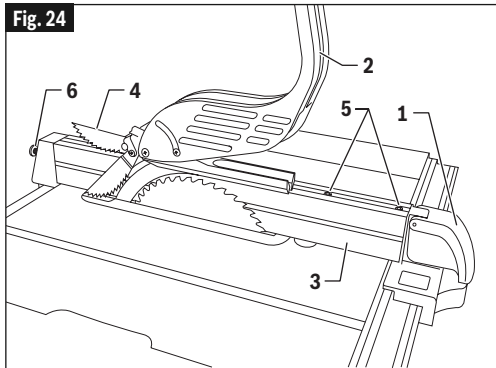
24). Overtightening may cause friction or "chatter" when rip fence is moved side to side.

RIP FENCE POINTER ADJUSTMENT

The distance of the rip fence body from the blade when ripping on the right side of the blade is determined by lining the rip fence pointer **7** with the desired dimension on the scale **8** (Fig. 25).

TO SET THE RIP FENCE POINTER:

1. Lift both guard barriers **2** to their up locked position (Fig. 24).
2. Raise lock handle **1** and slide rip fence **3** until it is alongside the sawblade, by lifting right side pawl **4** above rip fence (Fig. 24).
3. Loosen pointer adjustment screw **9**, adjust pointer **7** to "0" mark on lower scale **8**, then re-tighten screw **9** (Fig. 25).



Adjustments

Table Pointer Adjustment

If an adjustment to the table pointer is necessary, loosen pointer adjustment screw **1**, adjust pointer **2** and tighten screw (Fig. 26). The table pointer should always be adjusted relative to rip fence pointer.

1. Adjust rip fence pointer **7** to (zero) - see "Rip Fence Pointer Adjustment" (Fig. 25).
2. Slide rip fence to the right until it hits the stop plate on front rail and lock rip fence in place.
3. Look at rip fence pointer and note measurement on lower scale (at or near 14.5").
4. Adjust the table pointer **2** to the same reading on upper scale as that shown on the rip fence pointer. Both pointers must agree when rip fence is at this position.

Example: If rip fence pointer is at 13-9/16", then table pointer should also be set at 13-9/16".

Riving Knife Alignment

⚠ WARNING To prevent personal injury, always disconnect plug from power source before making any adjustments and when attaching or removing the Smart Guard System.

IMPORTANT: The riving knife **1** must always be in line with the saw blade **2**. The riving knife **1** is thinner than the width of the kerf **4** by approximately two thicknesses of standard 20 lb. (75gsm) copy paper **5** on each side (Fig. 27). **Note:** The kerf is the width of the cut made by the teeth on the saw blade.

CHECKING RIVING KNIFE ALIGNMENT

NOTE: The riving knife has been properly aligned at the factory - Check the alignment before making any adjustments.

1. Turn elevation wheel **7** (Fig. 1) clockwise to raise blade to maximum height and set the bevel angle to 0°.
2. Remove the barrier guard assembly and anti-kickback device.
3. Place the rip fence **3** on the right side and slide it until it touches the tips of the saw blade **2** - Lock rip fence (Fig. 28).
4. Check the alignment:
 - A. From the top, look down over the rip fence and check that the riving knife is in line (front to back) with the blade and

Fig. 26

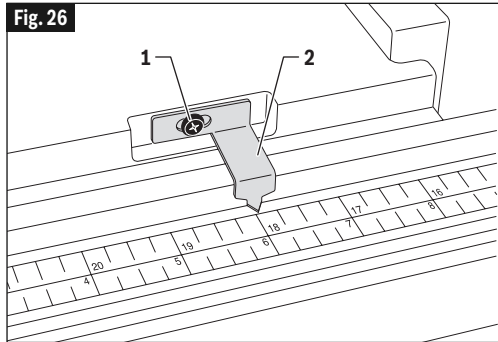


Fig. 27

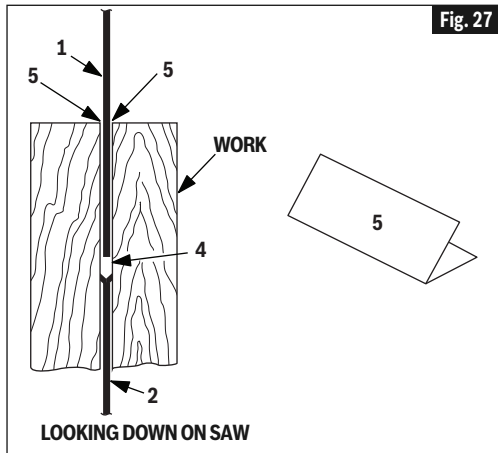
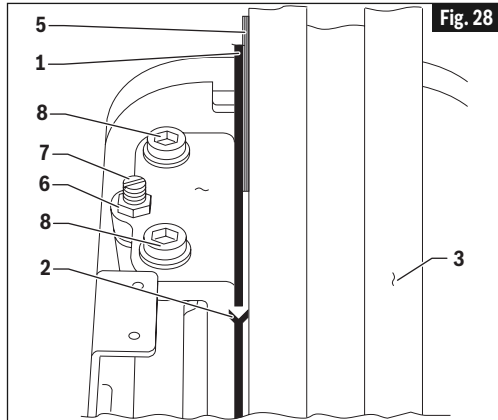


Fig. 28



parallel with the rip fence.

- B. Slide the rip fence away from the blade. Look over the front of the blade and check that the riving knife is in line with the blade.

Adjustments

- C. If steps A or B show misalignment, proceed to "Adjusting Riving Knife".

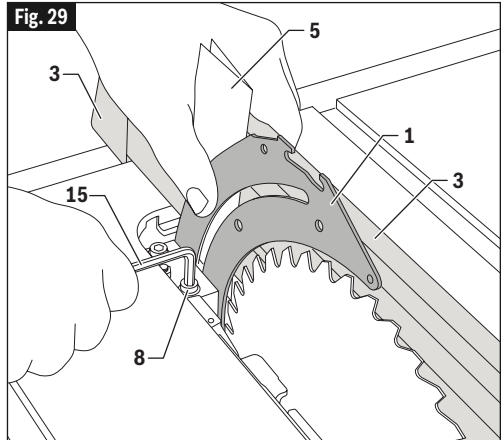
ADJUSTING RIVING KNIFE

1. Raise the saw blade **2** to maximum height and set the bevel angle to 0°.
2. Remove the barrier guard assembly and anti-kickback device.
3. Remove the table insert.
4. Place the rip fence **3** on the right side and slide it until it touches the tips of the saw blade **2** - Lock rip fence.
5. Loosen Hex Nut **6** with 10mm open end wrench (Fig. 28). Slightly loosen clamping screws **8** (1/4-1/2 turns) using a 5mm hex wrench **15** provided with table saw (stored in right side of base). Loosen set screw **7** using a flat screwdriver (Fig. 28).
6. Fold a small (6" x 6" [152x152 mm]) piece of standard 20 lb. (75gsm) copy paper forming two layers (Fig. 27). The paper **5** is used as a "Spacing Gauge".

NOTE: The spacing instructions above are based on using a standard kerf blade (.128" [3.25mm] kerf on the Bosch blade included). If a smaller kerf blade is used, adjust the paper spacer. For instance, if the kerf of the replacement blade is near .100" (2.54mm), use 1 thickness of paper as a spacer; if the kerf is near .110" (2.8mm), use 2 thicknesses.

7. Insert folded paper **5** between riving knife **1** and rip fence **3**.
 - A. Hold riving knife and paper firmly against rip fence (Fig. 28 and 29).
 - B. Lightly tighten the clamp screws **8**.
 - C. Remove the paper - Slide rip fence away from blade.
 - D. Slowly turn the set screw **7** while watching the riving knife tilt until it is in line with the blade.
 - E. Recheck squareness of riving knife to table by sliding rip fence against blade. Readjust if necessary.
8. After completing adjustments:
 - A. Lightly tighten hex nut **6** (hold set screw position with screwdriver while tightening nut).
 - B. Fully tighten clamp screws **8** with hex wrench **15**. Then fully tighten the hex nut.

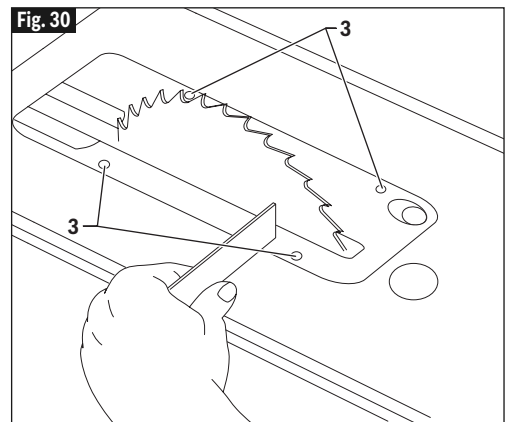
NOTE: Check that the riving knife stays in line



with blade when the blade is tilted at any angle. Replace the barrier guard assembly and anti-kickback device before making cuts.

Adjusting the Table Insert

The table insert includes four (4) adjustment screws **3** to set the height (Fig. 30). Place the insert onto the table. Place a straight edge (such as the metal ruler from a combination square) across the table top and insert top - the surfaces should be at the same level. If adjustment is necessary, use a small slotted screwdriver to rotate each set screw.



Adjustments

Adjusting 0 and 45 Degree Positive Stops

⚠WARNING To prevent personal injury, always disconnect plug from power source when making adjustments.

Your saw is equipped with positive stops for fast and accurate positioning of the saw blade at 90 and 45 degrees to the table.

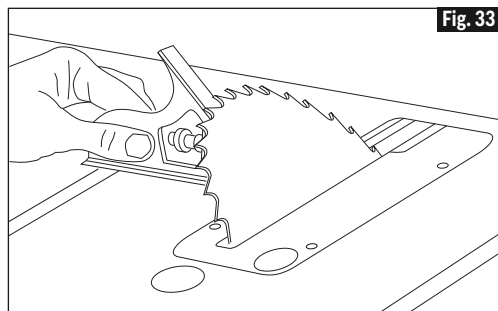
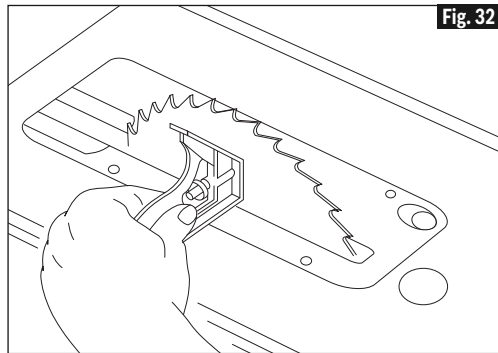
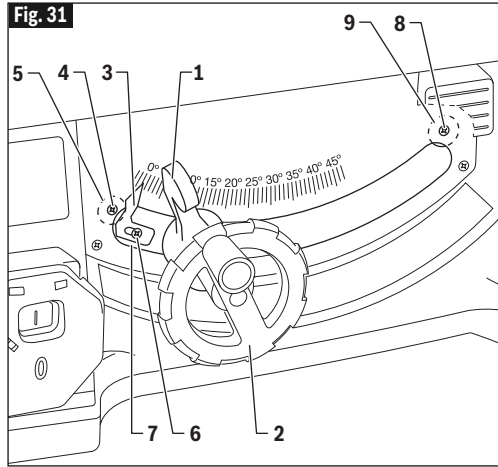
1. Turn elevation wheel **2** clockwise and raise blade to maximum height (Fig. 31).

ADJUSTING 0 DEGREE POSITIVE STOP:

2. Loosen the blade tilt lock handle **1** and push the elevation wheel to the left as far as possible and tighten the blade tilt lock handle (Fig. 31).
3. Place a combination square on the table with one end of square against the blade as shown (Fig. 32), and check to see if the blade is 90 degrees to the table. If the blade is not 90 degrees to the table, loosen the blade tilt lock handle, loosen 90 degree adjustment screw **4**, loosen 90 degree bevel stop cam **5** and push the elevation wheel until the blade is 90 degrees to the table.
4. Tighten blade tilt lock handle, rotate the bevel stop cam until it touches the bevel stop housing **7**, then tighten 90 degree adjustment screw **4**.
5. Loosen adjustment screw **6** and adjust pointer **3** to indicate 0 degrees on the bevel scale.

ADJUSTING 45 DEGREE POSITIVE STOP:

6. Loosen the blade tilt lock handle and push the elevation wheel to the right as far as possible and tighten the blade tilt lock handle.
7. Place a combination square on the table with one end of square against the blade as shown (Fig. 33), and check to see if the blade is 45 degrees to the table. If the blade is not 45 degrees to the table, loosen the blade tilt lock handle, loosen 45 degree adjustment screw **8**, loosen 45 degree bevel stop cam **9** and push the



elevation wheel until the blade is 45 degrees to the table.

8. Tighten blade tilt lock handle, rotate the 45 degree bevel stop cam **9** until it touches the bevel stop housing **7**, then tighten 45 degree adjustment screw **8**.

Basic Table Saw Operation

Power Switch

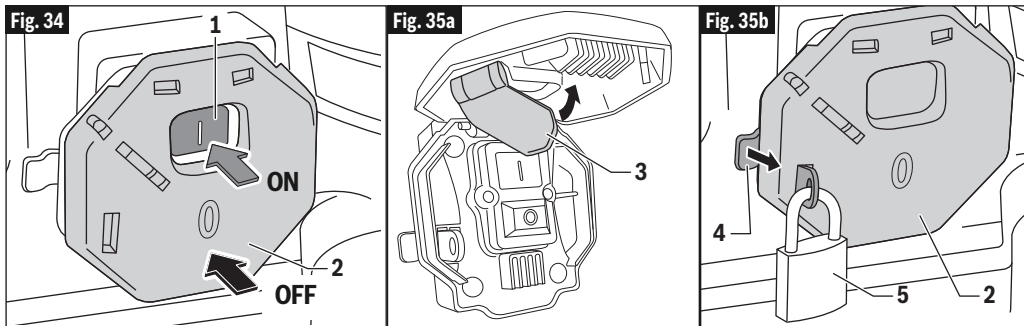
To turn saw on: press the green ON (I) button **1** (Fig. 34).

To turn off power: push the red OFF (O) stop paddle **2** (Fig. 34).

To prevent unauthorized use, lock the switch as follows:

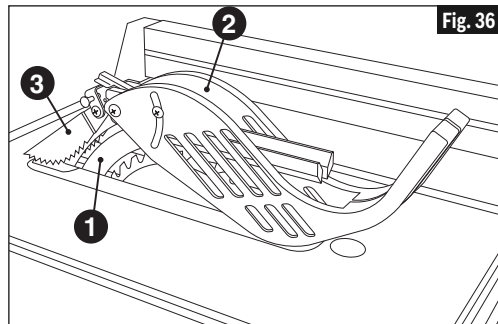
- Lift the primary Stop paddle **2** (Fig. 35a).

- Swing the lock out flap **3** and (Fig. 35a).
- Close the Stop paddle **2**, pull out the locking hasp **4** and secure the switch with a padlock **5** (Fig. 35b). Padlock (not provided with the table saw) must have a 3/16" or 1/4" (4.5 or 6 mm) diameter shackle.



Using the Smart Guard System

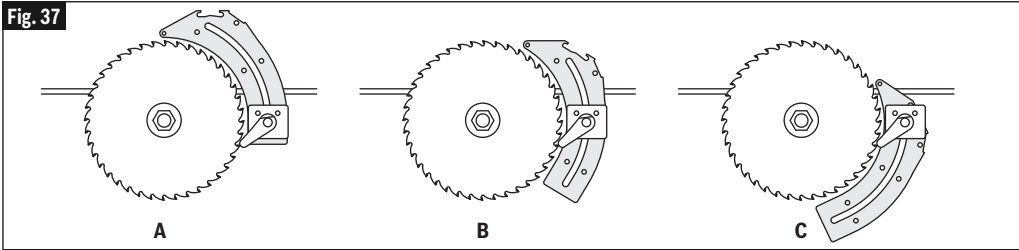
The Bosch Smart Guard has been designed for modularity, enabling the use of multiple combinations of the three main components – **1** Riving knife / splitter, **2** Main barrier guard, and **3** Anti-kickback device (Fig. 36). Additionally, the riving knife can be quickly adjusted to three positions depending on the application requirement: through cut (high), non-through cut (middle), and dado (lowest). The three primary guarding components of the Smart Guard blade guarding system are designed for rapid attachment, adjustment, and/or removal without the need for additional tools. Any Smart Guard components that need to be removed to complete a cut should be immediately reinstalled when finished. See pages 17–18 for detailed installation instruc-



tions. Always remember that the best accident prevention is the operator's use of common sense and alertness at all times when using the table saw.

Basic Table Saw Operation

Fig. 37



RIVING KNIFE / SPLITTER

The riving knife (splitter) is the central element of the Bosch Smart Guard blade guarding system, serving as the attachment point for both the main barrier guard and the anti-kickback device. In the event that the main barrier guard and anti-kickback device are removed, the riving knife maintains its functionality as material splitter, and can be quickly adjusted to three positions (through cut **A**, non-through cut **B**, and dado **C**), depending on the application requirement (Fig. 37). Because of this adjustability, the riving knife can be appropriately positioned for all cutting applications.

The riving knife (splitter) can be easily adjusted to one of three heights by removing the table insert, raising the blade to its full height and releasing the riving knife release lever at the base of the riving knife. The riving knife should be locked in its through cut (highest) position for use with the main barrier guard and anti-kickback device. It can be adjusted to its non-through cut (middle) position for use as a material splitter without the main barrier guard and anti-kickback device. In the event that the riving knife cannot be used for a specific cut or for use with a dado blade, it can be adjusted to its dado (lowest) position, placing it 1" (25.4mm) above the table surface when the blade is at its full height.

MAIN BARRIER GUARD

The main guard is comprised of a pair of plastic barriers attached to the metal upper barrier guard. The side barriers (one to the left and one to the right of the blade) operate independently of one another, maintaining maximum blade coverage during cutting operations. The main guard incorporates a quick-connect attachment point and can be attached or removed from the blade guarding system independent of the anti-kickback device and riving knife / splitter.

The main barrier guard component can be quickly attached and detached through the use of a quick release lever. The guard is attached by seating the crossbar into the top of the riving knife / splitter and engaging the locking lever. Following this process in reverse, the guard can be easily removed for special operations such as dados or rabbets.

Note: To best secure the main guard for relocation, adjust the blade to its lowest position. This keeps the guard tight to the table surface and prevents damage related to the guard swinging during relocation. If transporting over a longer distance on/off the job, place guard in its below table storage position (See Figure 17, page 22).

ANTI-KICKBACK DEVICE

In the event of kickback, the anti-kickback device is intended to help prevent the board from being thrown in the direction of the user. The sharp teeth of the pawls are intended to "catch" the material in the event of kickback.

The anti-kickback device can be easily attached by aligning the attachment pin with the hole in the rear of the riving knife / splitter. It can be easily re-moved by depressing the compression pads on both sides of the anti-kickback device and lifting it away.

Making Work Helpers

Before cutting any wood on your saw, study all of the "Basic Table Saw Operations".

Notice that in order to make some of the cuts, it is necessary to use certain devices, "Work Helpers", like the push stick, the push block and the auxiliary fence, which you can make yourself.

After you have made a few practice cuts, make these "helpers" before starting any projects. Make the "push stick" first.

Basic Table Saw Operation

MAKING PUSH STICK AND PUSH BLOCK

Make the push stick **1** using a piece of 1 x 2 (19x38mm) as shown (Fig. 38). For proper use of push stick see page 33.

Make the push block **2** using pieces of 3/8" (8.7mm) plywood **3** and 3/4" (19mm) hardwood **4** (Fig. 39). The push block is to be used in combination with the auxiliary fence only. For proper use of push block see page 34.

The small piece of wood, 3/8" x 3/8" x 2-1/2" (9.5 x 9.5 x 63.5mm), should be GLUED to the plywood... DO NOT USE NAILS. This is to prevent dulling the sawblade in the event you mistakenly cut into the push block.

Position the handle in the center of the plywood and fasten together with glue and woodscrews.

Use a push stick whenever the rip fence is 2 inches (50 mm) or more from the blade. Use a push block when the operation is too narrow to allow the use of a push stick. For proper use, see page 33.

Both a push stick or block should be used in the place of the user's hand to guide the material only between the rip fence and blade.

When using a push stick or push block, the trailing end of the board must be square. A push stick or block against an uneven end could slip off or push the work away from the rip fence.

MAKING AUXILIARY FENCE

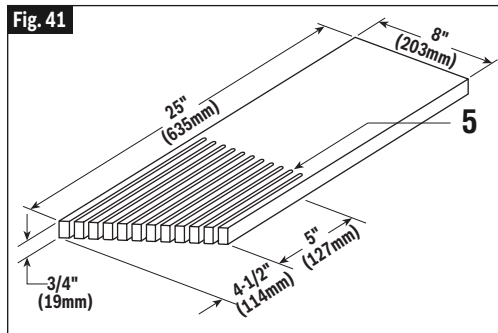
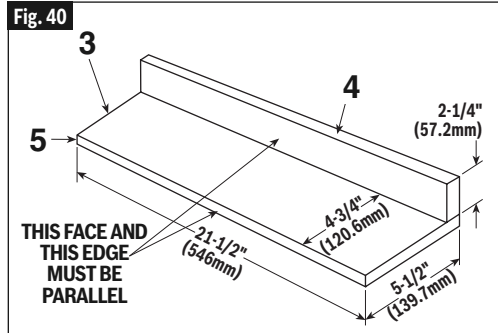
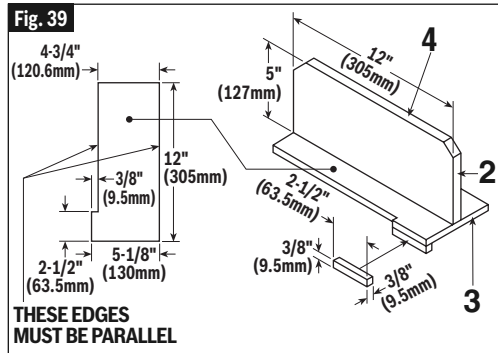
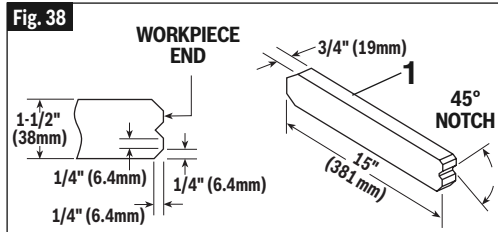
Make one using pieces of 3/8" (8.7mm) plywood **3** and 3/4" (19mm) hardwood **4**. Fasten together with glue and woodscrews (Fig. 40).

NOTE: Since the push block **2** is used with the auxiliary fence **5**, the 4-3/4" (120.6mm) dimensions must be held identical on both the pieces.

MAKING A FEATHERBOARD

Figure 41 illustrates dimensions for making a typical featherboard. It should be made from a straight piece of wood that is free of knots or cracks.

Kerf **5** should be about 1/4" (6.35mm) apart (Fig. 41).



Basic Table Saw Operation

MAKING THE FACING BLOCK

The facing block should be made of 1-1/2 inch (38mm) thick wood – Figure 42 shows dimensions to make a facing block.

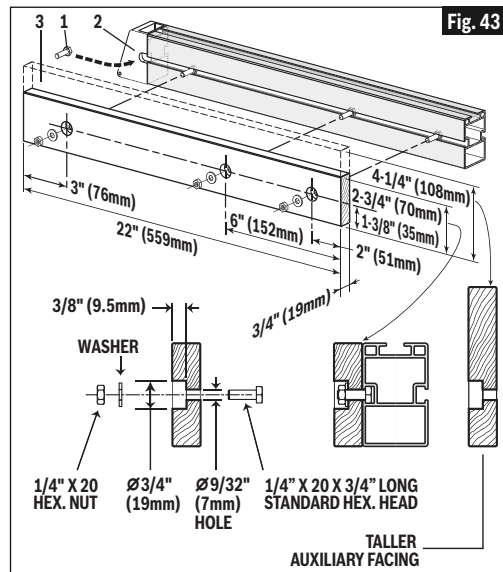
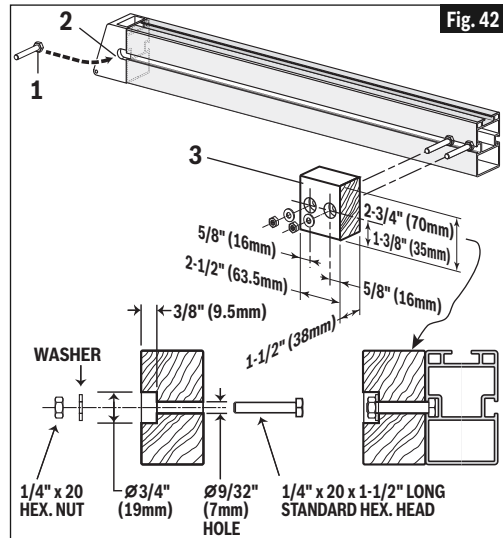
Parts Required:

- 1-1/2" thick wood board cut to size (1)
- 1/4 x 20 x 1-1/2" long hex. head machine screws (2)
- 1/4" Washers (2)
- 1/4 x 20 machine nuts (2)

The facing block is made to the same height (2-3/4" [70mm]) as the rip fence and can work with the blade guard system in place when cutoff pieces are 1-1/2 inches (38mm) or greater. Cut the board to the size shown, drill through 9/32" (7mm) holes, then counter-sink each hole (down 3/8 inch [9.5mm]) using a 3/4 inch (19mm) drill bit.

Assembly:

- A. Place the hex. head **1** of each machine screw into the recess **2** in the rear rip fence housing – then slide each screw forward to the locations shown.
- B. Place facing block **3** over screws.
- C. Place washers over screw threads.
- D. Thread and tighten the nuts onto the screws.



Assembly:

- A. Place the hex. head **1** of each machine screw into the recess **2** in the rear rip fence housing – then slide each screw forward to the locations shown.
- B. Place facing board **3** over screws
- C. Place washers over screw threads
- D. Thread and tighten the nuts onto the screws.

MAKING RIP FENCE AUXILIARY FACING

When using dado or molding head accessories, an auxiliary facing board should be used. This will help prevent damage to the aluminum rip fence. The facing should be made of 3/4 inch (19mm) thick wood – Figure 43 shows dimensional plans to make a facing board to fit this saw.

Parts Required:

- 3/4" (19mm) thick wood board (solid or plywood) cut to size
- Three (3) 1/4 x 20 x 3/4" long hex. head machine screws
- Three (3) 1/4" Washers
- Three (3) 1/4 x 20 machine nuts

The facing is made to the same height (2-3/4" [70mm]) as the rip fence and can work with the blade guard system in place when moving the rip fence to contact the blade. The taller facing design (4-1/4" [108mm]) is optional and can be used for clamping on other accessories. Cut the board to the size shown, drill through 9/32" (7mm) holes, then counter-sink each hole (down 3/8 inch [9.5mm]) using a 3/4 inch (19mm) drill bit.

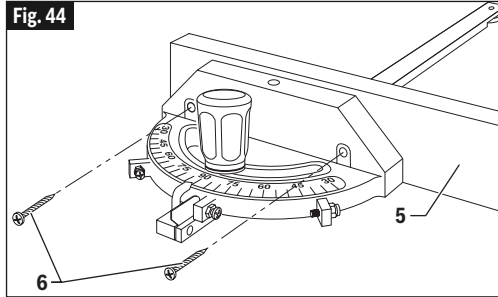
Basic Table Saw Operation

MAKING MITER GAUGE AUXILIARY FACING

A template for drilling holes in the miter gauge is provided on page 155, which allows you to attach an auxiliary facing **5** to provide additional support to cut longer pieces. Select a suitable piece of smooth straight wood, drill two holes through it and attach it with screws **6** (Fig. 44).

Example:

- Drill 1/4" (6.35mm) dia. holes thru miter gauge.
- Drill 5/32" (4mm) dia. holes thru auxiliary facing board. Recommended board size: 3/4" (19mm) thick, 3" (76mm) high, and desired length.
- Attach with two round head wood screws No. 12x1-1/2" or M6x35mm **6**, not included (Fig. 44).



Be sure screws never protrude above outside surface of facing.

Be sure facing does not interfere with the proper operation of the saw blade guard.

NOTE: When bevel crosscutting, attach facing so that it extends to the right of the miter gauge and use the miter gauge in the groove to the right of the blade.

Using the Push Stick, Push Block, and Auxiliary Fence

When feeding the workpiece for a rip cut, use your hands only when they can be kept at least 6" (152mm) from the blade (Fig. 45). A push stick **22** (Fig. 46) or push block **PB** (Fig. 49) should be used any time the cut would cause your hands to be within 6" (152mm) of the blade.

Apply the feed force to the section of the work piece between the saw blade and the rip fence. Your other hand should be used only to guide the workpiece when it is at least 6" from the blade.

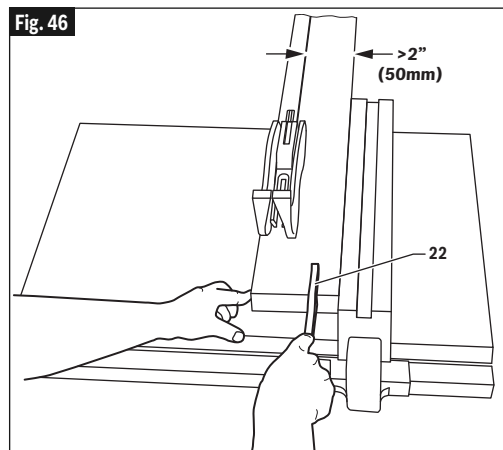
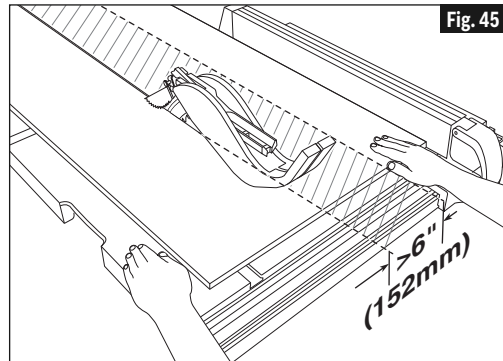
When using a push stick or push block, the trailing end of the board must be square. A push stick or block against an uneven end could slip off or push the work away from the rip fence.

When cutting a workpiece 1/8" (3.2mm) or less, use the auxiliary fence **AF** (Fig. 48) or the thin workpiece fence **25** (Fig. 1) mounted to the rip fence.

PUSH STICK

⚠ WARNING Never contact the spinning saw blade with the push stick. Contacting the spinning saw blade with the push stick may result in personal injury or property damage.

Only use the push stick **22** when the width of the rip cut is greater than 2" (50mm). When



Basic Table Saw Operation

width of rip is less than 2" (50mm) the push stick cannot be used because the guard will interfere (Fig. 46).

Always position push stick and apply feed force parallel to the saw blade. Ensure that the push stick is positioned such that surface **A** is flat against the top of the workpiece, and surface **B** is fully engaged with the trailing end of the workpiece (Fig. 47). If a workpiece is shaped such that the push stick cannot be fully supported in this manner, an appropriate push block or jig should be used to support that workpiece.

PUSH BLOCK

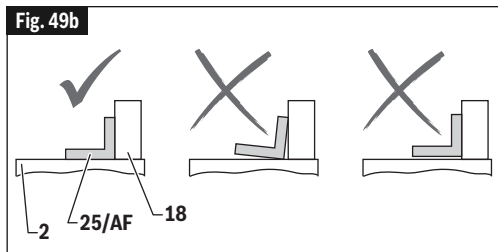
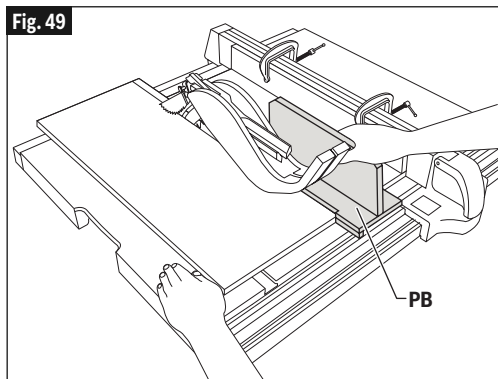
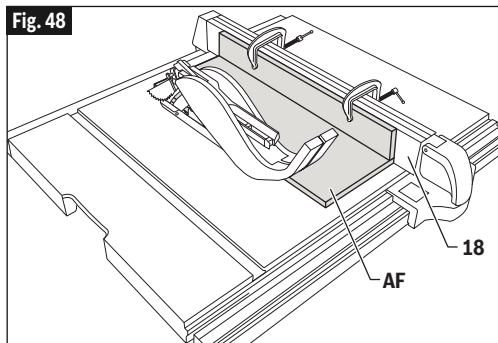
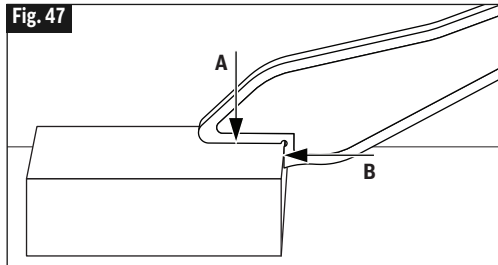
When width of rip is narrower than 2" (50mm) the push stick cannot be used because the guard will interfere; use the auxiliary fence and push block.

Attach auxiliary fence **AF** to rip fence **18** with two "C" clamps (Fig. 48).

Feed the work piece by hand until the trailing end is approximately 1" (25mm) from the front edge of the table. Continue to feed using the push block **PB** on top of the auxiliary fence until the cut is complete (Fig. 49).

AUXILIARY AND THIN WORKPIECE FENCE

When cutting a workpiece with thickness of 1/8" (3.2mm) or less, it is important to prevent the workpiece from wedging between the table and bottom of the rip fence. Proper use of an auxiliary fence can eliminate gaps between the table and bottom of the rip fence. Use the auxiliary fence **AF** (Fig. 48) or the thin workpiece fence **25** (Fig. 1) and mount it to the rip fence **18** (Fig. 1) so there is no clearance between the bottom surface of the auxiliary fence and the table **2** (Fig. 1). Figure 49b illustrates the correct table and auxiliary fence position.



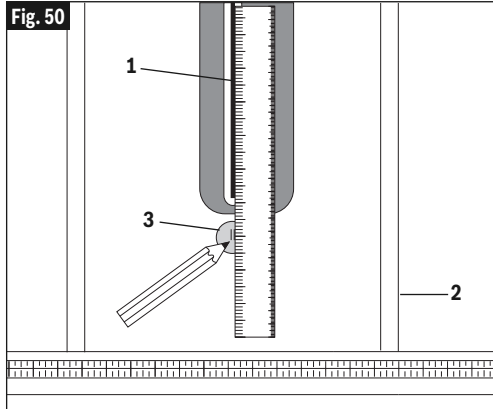
Basic Table Saw Operation

PRE-CUT LOCATOR

Allows you to mark and locate exactly where the blade will enter the workpiece.

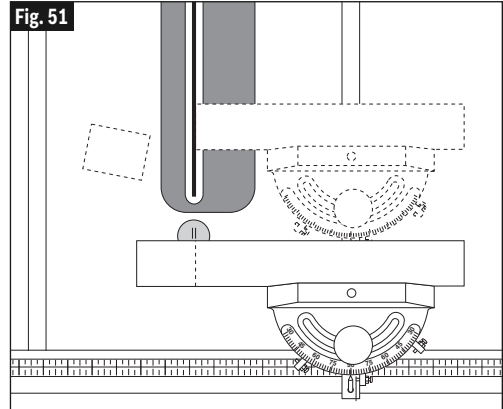
Always make sure table saw is turned off and unplugged.

Set blade **1** at 90 degrees square to table.



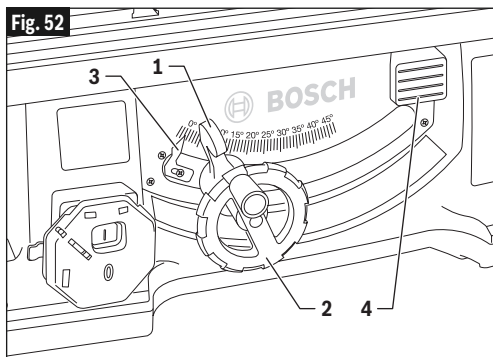
Using a straight edge and a soft pencil, place straight edge **2** against both sides of blade and mark lines on locator **3** (Fig. 50). These lines indicate the "path" of the cut (kerf) made by the blade.

When cutting the workpiece, line up mark on workpiece with the line on the disc (Fig. 51).



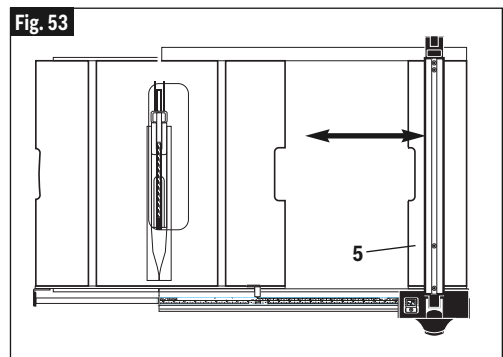
BLADE BEVEL CONTROL

Loosen blade bevel lock handle **1** counter-clockwise (Fig. 52), slide the elevation wheel **2** until pointer **3** is at desired angle and tighten blade tilt lock handle **1** clockwise.



EXTENDING TABLE EXTENSION

To extend the table, raise the table extension lock handle **4** (Fig. 52) and slide table extension **5** to desired width (Fig. 53). To secure table setting, lower the lock handle **4**.



Basic Table Saw Operation

Using The Rip Fence

⚠ WARNING For your own safety, always observe the following safety precautions in addition to the safety instructions on Pages 3, 4, 5, 6, 7, and 8.

RIPPING, BEVEL RIPPING, RESAWING AND RABBETING are performed using the RIP FENCE together with the AUXILIARY FENCE / WORK SUPPORT, PUSH STICK OR PUSH BLOCK.

1. Never make these cuts FREEHAND (without using the rip fence or auxiliary devices when required) because the blade could bind in the cut and cause a KICKBACK.
2. Always lock the rip fence securely when in use.
3. Remove miter gauge from table during any operations which utilize the rip fence.
4. Make sure blade guard is installed for all thru-sawing type cuts. Replace the guard IMMEDIATELY following completion of resawing, rabbeting, dadoing or molding operations.

Frequently check the action of the ANTI-KICKBACK DEVICE by passing the workpiece alongside of the spreader while saw is OFF.

Pull the workpiece TOWARD you. If the PAWLS do not DIG into the workpiece and HOLD it ... the pawls must be REPLACED or SHARPENED. (See "Maintaining Your Table Saw" on Page 46).

5. Have blade extend approximately 1/8" (3.2mm) above top of workpiece. Additional blade exposure would increase the hazard potential.
6. Do not stand directly in front of the blade in case of a KICKBACK. Stand to either side of the blade.
7. Keep your hands clear of the blade and out of the path of the blade.
8. If the blade stalls or stops while cutting, TURN SWITCH OFF before attempting to free the blade.
9. Do not reach over or behind the blade to pull the workpiece through the cut ... to support long or heavy workpieces ...

to remove small cut-off pieces of material or FOR ANY OTHER REASON.

10. Do not pick up small pieces of cut-off material from the table. REMOVE them by pushing them OFF the table with a long stick. Otherwise they could be thrown back at you by the rear of the blade.
11. Do not remove small pieces of cut-off material that may become TRAPPED inside the blade guard while the saw is RUNNING. THIS COULD ENDANGER YOUR HANDS or cause a KICKBACK. Turn the saw OFF and disconnect power source. After the blade has stopped turning, lift the guard and remove the piece.
12. If workpiece is warped, place the CONCAVE side DOWN. This will prevent it from rocking while it is being ripped.
13. When "WIDTH OF RIP" is 6" (152mm) and WIDER use your RIGHT hand to feed the workpiece, use LEFT hand ONLY to guide the workpiece ... do not FEED the workpiece with the left hand (Fig. 45).

When "WIDTH OF RIP" is 2" to 6" (50 to 152mm) wide USE THE PUSH STICK **22** to feed the work (Fig. 46).

When WIDTH OF RIP is NARROWER than 2" (50mm) the Push Stick CANNOT be used because the guard will interfere ... USE the AUXILIARY FENCE, and PUSH BLOCK.

RIPPING

RIPPING is known as cutting a piece of wood with the grain, or lengthwise. This is done using the rip fence. Position the rip fence to the desired WIDTH OF RIP and lock in place. Before starting to rip, be sure:

- A. Rip Fence is parallel to sawblade.
- B. Riving knife is properly aligned with sawblade.
- C. Anti-kickback Device is functioning properly.

When ripping LONG BOARDS or LARGE PANELS, always use a work support (Fig. 45). The Bosch table saw outfeed support table kit (TS1008, TS1016) is an ideal accessory to use for this application.

BEVEL RIPPING

When bevel ripping material 6" (152mm) or

Basic Table Saw Operation

narrower, use rip fence on the right side of the blade **ONLY**. This will provide more space between the rip fence and the sawblade for use of a Push Stick. If the rip fence is mounted to the left, the sawblade guard may interfere with proper use of a Push Stick.

Attach auxiliary fence **AF** to rip fence with two "C" clamps (Fig. 48).

Feed the workpiece by hand until the end is approx. 1" (25mm) from the front edge of the table. Continue to feed using the **PUSH BLOCK 3** on top of auxiliary fence **UNTIL THE CUT IS COMPLETE** (Fig. 49).

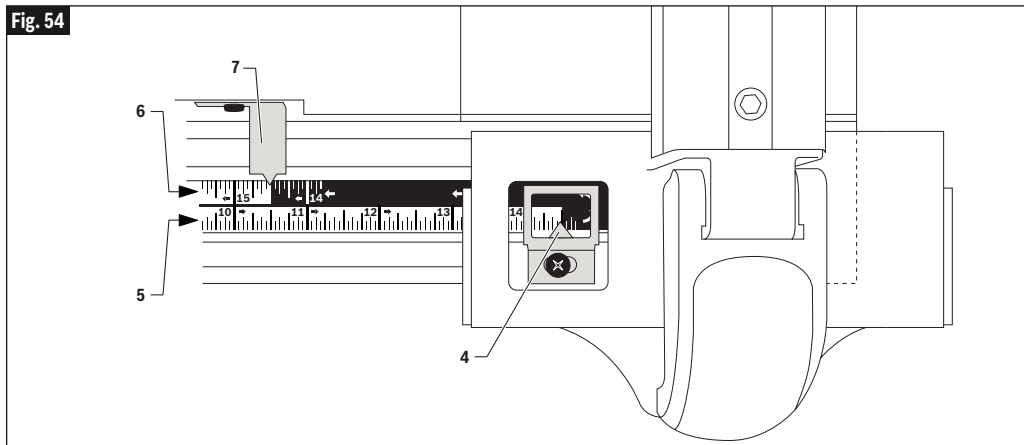
USING THE RIP FENCE POINTER WHEN TABLE IS NOT EXTENDED

The rip fence pointer shows the distance from the blade to rip fence through a convenient viewing and magnifying window.

Align rip fence pointer **4** with lower portion of scale **5**. The lower scale can be used for widths up to 14.5 inches [368mm] (Fig. 54).

USING THE TABLE POINTER WHEN TABLE IS EXTENDED

Move the rip fence to the 14.5" mark and lock in place. The upper portion of scale **6** is used for rip cut 14.5 to 30 inches (368 to 762mm). Align table pointer **7** with upper portion of scale **6** (Fig. 54).



Basic Table Saw Operation

Using The Miter Gauge

⚠ WARNING For your own safety, always observe the following safety precautions in addition to the safety instructions on Pages 3, 4, 5, 6, 7, and 8.

CROSSCUTTING, MITER CUTTING, BEVEL CUTTING, COMPOUND MITER CUTTING and when RABBETING across the end of a narrow workpiece, the MITER GAUGE is used.

Never make these cuts freehand (without using the miter gauge or other auxiliary devices) because the blade could bind in the cut and cause a KICKBACK or cause your fingers or hand to slip into the blade.

Always lock the miter gauge securely when in use.

Remove rip fence from table during any operations which utilize the miter gauge.

The miter includes a “T” groove disk **5** for easy insertion into table groove and quicker removal from the table (Fig. 55).

When cross cutting and the blade set at 90° or 45° to the table, the miter gauge can be used in either slot on the table. When cross cutting and the blade is tilted, use slot on right side of table where the blade is tilted away from your hands and miter gauge.

ADJUSTING THE MITER ANGLE:

Loosen lock knob **1** and set the miter gauge body **2** so the pointer **3** is at desired angle, then tighten lock knob **1** (Fig. 55).

The miter gauge body **2** will stop at 90° and both right and left 45°. To rotate the miter gauge body **2** beyond these points, the stop plate **4** must be flipped out of the way.

CROSSCUTTING

CROSSCUTTING is known as cutting wood across the grain, at 90°, or square with both the edge and the flat side of the wood. This is done with the miter gauge set at 90° (Fig. 56).

Make sure blade guard is installed for all “thru-sawing” operations (when sawblade cuts entirely thru the thickness of the workpiece). Replace guard IMMEDIATELY after completion of dadoing, molding or rabbeting cuts.

Have blade extend approximately 1/8” (3.2mm) above top of workpiece. Additional blade exposure would increase the hazard potential.

Fig. 55

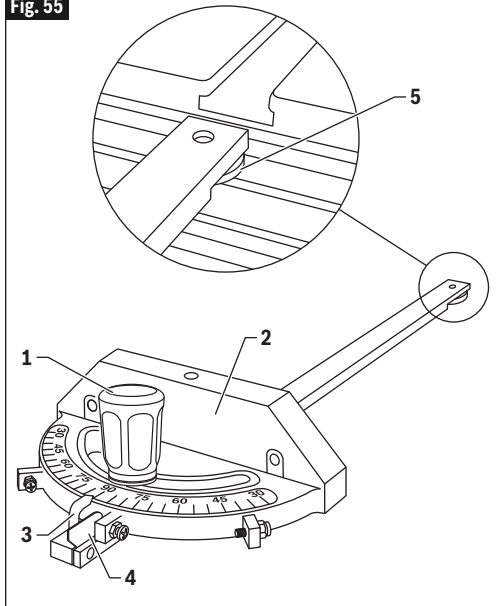
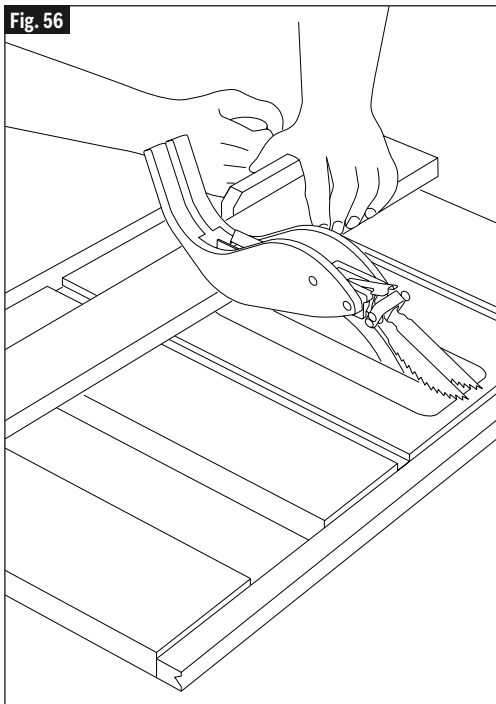


Fig. 56



Basic Table Saw Operation

Do not stand directly in front of the blade in case of a THROWBACK. Stand to either side of the blade.

Keep your hands clear of the blade and out of the path of the blade.

If blade stalls or stops while cutting, TURN SWITCH OFF before attempting to free the blade.

Do not reach over or behind the blade to pull the workpiece through the cut ... to support long or heavy workpieces ... to remove cut-off pieces of material or FOR ANY OTHER REASON.

Do not pick up small pieces of cut-off material from the table. REMOVE them by pushing them OFF the table with a long stick. Otherwise they could be thrown back at you by the rear of the blade.

Do not remove small pieces of cut-off material that are close to or may become TRAPPED inside the blade guard while the saw is RUNNING. THIS COULD ENDANGER YOUR HANDS or cause a KICKBACK. Turn the saw OFF. After the blade has stopped turning, lift the guard and remove the piece.

If workpiece is warped, place the CONCAVE side DOWN. This will help prevent it from rocking while it is being cut.

The graduations on the miter gauge provide accuracy for average woodworking. In some cases where extreme accuracy is required, when making angle cuts, for example, make a trial cut and then recheck it with an accurate square or protractor.

If necessary, the miter gauge head can be swiveled slightly to compensate for any inaccuracy.

TIP: The space between the miter gauge bar and the groove in the table is held to a minimum during manufacturing. For maximum accuracy when using the miter gauge, always “favor” one side of the groove in the table. In other words, don’t move the miter gauge from side to side while cutting but keep one side of the bar riding against one side of the groove.

TIP: Glue a piece of sandpaper **1** to the face of the miter gauge head. This will help prevent the workpiece from “creeping” while it is being cut.

The miter gauge may be used in either of the grooves in the table. Make sure it is locked.

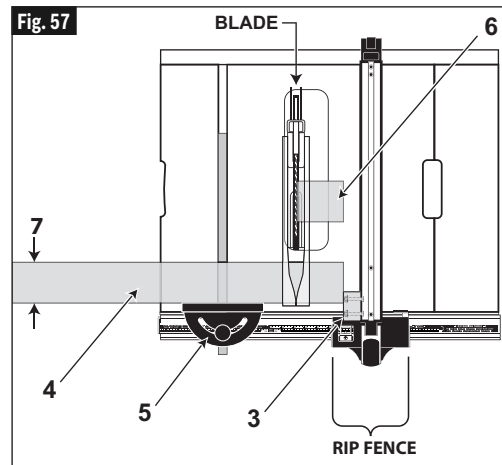
When using the miter gauge in the LEFT hand groove, hold the workpiece firmly against gauge head with your left hand, and grip the

lock knob with your right hand.

When using the RIGHT hand groove, hold the workpiece with your right hand and the lock knob with your left hand.

REPETITIVE CROSSCUTTING

REPETITIVE CROSSCUTTING is known as cutting a quantity of pieces the same length without having to mark each piece. When making repetitive cuts from a long workpiece, make sure it is supported – see Fig. 57.



Never use the rip fence as a direct length stop because the cutoff piece could bind between the rip fence and the blade causing kickback.

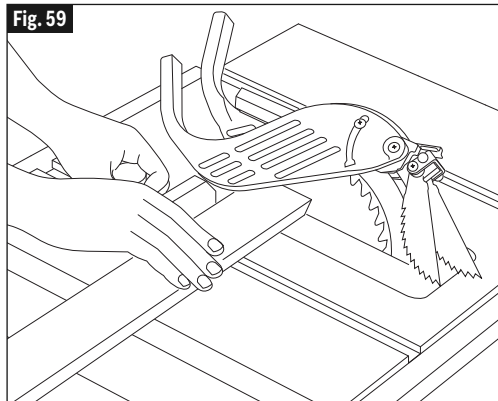
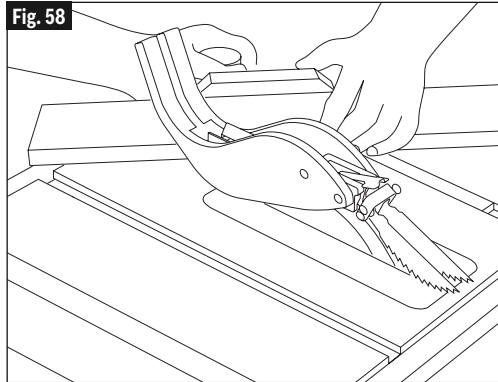
When attaching the facing block, make sure the block is well in front of the sawblade, because the cutoff piece could bind between the rip fence and the blade causing kickback.

MAKING THE REPETITIVE CROSSCUT

- A. When making repetitive cuts, securely attach a wood facing block to the rip fence as shown. The T-slot in the rip fence allows for attachment - see Figure 57.
- B. Slide the rip fence (with the facing block) to a position which gives you the length of board that you want to repeat. Lock rip fence in position. Note: If you are using the scale on the saws front rail during the set-up, be sure move the rip fence an additional 1-1/2 inches (38mm) to compensate for the thickness of the facing block.

Basic Table Saw Operation

- C. Slide the workpiece **4** along the miter gauge **5** until it touches the facing block **3**. Hold workpiece securely.
- D. Make a “dry run” (practice) – with the saw unplugged, move the miter gauge and workpiece along the facing block until it touches the idle blade (blade is set 1/4 inch (6mm) higher than workpiece) – **Note:** The workpiece **MUST** be off the facing block **BEFORE** it contacts the blade. Crosscutting capacity **7** for these cuts is 7-1/2 inches (191mm) with a 3/4" (19mm) workpiece or 6-3/4 inches (171mm) with a 1-1/2" (38mm) workpiece. If “dry run” is successful, go to the next step.
- E. Attach saw to power source, turn saw on, and make the cut. Turn the saw off and remove the cutoff piece **6** after the blade has stopped and before cutting the next piece.



Use the Miter Gauge in the groove to the RIGHT or the LEFT of the blade.

MITER CUTTING

MITER CUTTING is known as cutting wood at an angle other than 90° with the edge of the wood. Follow the same procedure as you would for crosscutting (Fig. 58).

Adjust the miter gauge to the desired angle, and lock it.

The miter gauge may be used in either of the grooves in the table.

When using the miter gauge in the LEFT hand groove, hold the workpiece firmly against the miter gauge head with your left hand, and grip the lock knob with your right hand.

When using the RIGHT hand groove, hold the workpiece with your right hand and the lock knob with your left hand.

BEVEL CROSSCUTTING

BEVEL CROSSCUTTING is the same as crosscutting except that the wood is also cut at a bevel angle (Fig. 59) ... other than 90° with the flat side of the wood.

Adjust the blade to the desired angle.

COMPOUND MITER CUTTING

COMPOUND MITER CUTTING is a combination of miter cutting and bevel crosscutting. The cut is made at an angle other than 90° to both the edge and the flat side of the wood (Fig. 59).

Adjust the miter gauge and the blade to the desired angle and make sure miter gauge is locked.

Basic Table Saw Operation

Non-Thru Cutting

Add 8" (203mm) high flat facing board to the rip fence, the full length of the rip fence (Fig. 60).

Use featherboards for all "Non Thru-Sawing" operations (when sawblade guard must be removed). Featherboards **1** are used to keep the work in contact with the rip fence and table as shown, and to stop kickbacks.

Mount featherboards **1** to rip fence and table as shown, so that leading edges of featherboards will support workpiece until cut is complete, and the workpiece has been pushed completely past the cutter (sawblade, dado head, molding head, etc.) with a push stick **22**, as in ripping.

Before starting the operation (switch saw "OFF" and set cutter below table surface):

- A. Install featherboards so they exert pressure on the workpiece; be positive they are securely attached.
- B. Make sure by trial that the featherboards will stop a kickback if one should occur.

Featherboards are not employed during non thru-sawing operations when using the miter gauge.

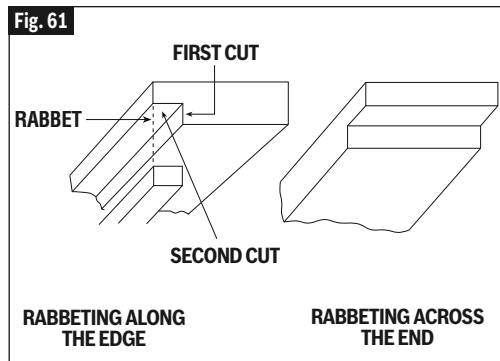
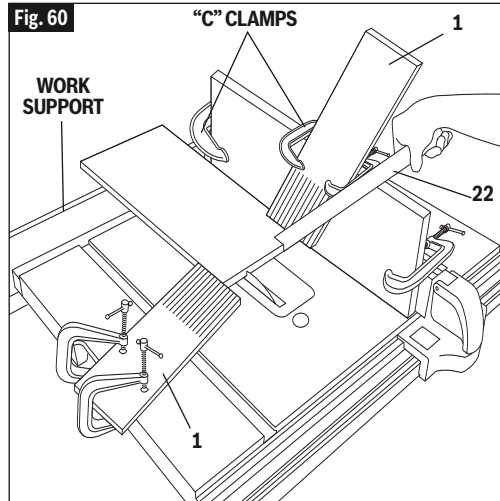
Replace the smart guard system as soon as the non thru-sawing operation is complete.

RABBETING

RABBETING is known as cutting out a section of the corner of a piece of material, across an end or along an edge (Fig. 61).

Making a RABBET requires cuts which do not go all the way through the material. Therefore the smart guard system must be removed.

- A. Remove blade guard.
- B. For rabbeting along an edge (long way of workpiece) as shown, add facing to rip fence approximately as high as the workpiece is wide. Adjust rip fence and blade to required dimensions; then make first cut with board flat on table, follow set-up Fig. 60. Make second cut with workpiece on edge. Follow all precautions, safety instructions, and operation instructions as for ripping or rip type operations, including featherboards and push stick, etc.
- C. For rabbeting across an end, for work-



piece 10-1/2" (267mm) and narrower make the rabbet cut with the board flat on the table. Using the miter gauge fitted with a facing, follow the same procedures and instructions for crosscutting making successive cuts across the width of the workpiece to obtain the desired width of cut. DO NOT use the rip fence for rabbeting across the end.

- D. INSTALL SMART GUARD SYSTEM IMMEDIATELY UPON COMPLETION OF RABBETING OPERATION.

Rabbet cuts can also be made in one pass of the workpiece over the cutter using the dado head or molding head.

Basic Table Saw Operation

DADO CUTTING

Instructions for operating the saw with dado and molding head sets are contained in the booklet furnished with these accessories.

ALWAYS USE AN APPROPRIATE BOSCH TABLE INSERT AND WASHERS LISTED UNDER RECOMMENDED ACCESSORIES (see page 48).

ALWAYS PLACE THE BLADE WASHERS IN THE ORIGINAL POSITIONS WHEN YOU ARE FINISHED DADO OR MOLDING CUTTING.

INSTALLING A DADO SET

⚠ WARNING To reduce the risk of injury, always disconnect plug from power source before changing blades.

⚠ WARNING To reduce the risk of injury, always use the Bosch Dado Blade Table Insert No.TS1007 (comes with a dado accessory washer). Never make dado cuts without this insert. Do not use dado sets larger than 8" (203mm) diameter. Never set dado cutters to any bevel angle other than the vertical 0° angle. Follow all warnings and instructions shown here and those that accompany your dado set. Failure to comply with these warnings may result in serious bodily injuries.

⚠ WARNING To reduce the risk of injury, do not use dado sets larger than 8 inches (203mm) in diameter. The saw is not designed to accept larger sized dados.

A dado set is an accessory system used to make non-thru grooves or lap cuts on work pieces. These tools are commonly used in fur-

niture and cabinet building. After work pieces have been properly dado cut, they can be tightly joined together. The 4100XC table saw can accommodate dado cutting up to 13/16" (20.6mm) wide in a single pass.

USING STACKED DADO SETS

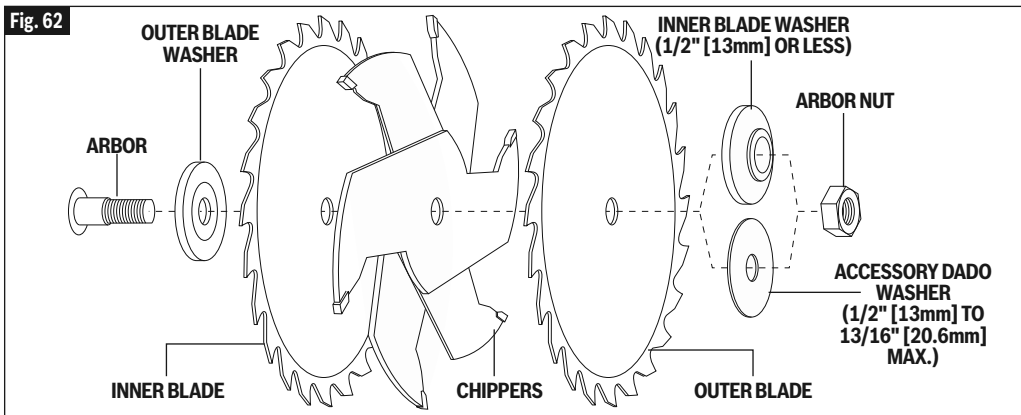
⚠ WARNING To reduce the risk of injury or property damage, read and follow all Operation/Safety Instructions included with the dado set before use.

⚠ WARNING To reduce the risk of injury, never use a single dado blade for normal saw thru-cutting. Never use chippers without both outside cutters. Read and follow all Operation/Safety Instructions included with the dado set.

⚠ WARNING To reduce the risk of injury, never pass your hands over the cutting dado blades. Dado cuts are non-thru (blind) cuts. Many times the cutters cannot be seen during cutting. See page 41 for instructions on Non Thru-sawing.

⚠ WARNING To reduce the risk of injury, never make free-hand cuts. The work piece must be held against the saw's rip fence or miter gauge as it is being fed. Whenever possible, use push sticks and push blocks for cutting (see page 33). Always use feather boards, attached to the table or rip fence, when rip cutting (see page 41). When cross cutting, firmly hold work piece against the miter gauge (see page 38).

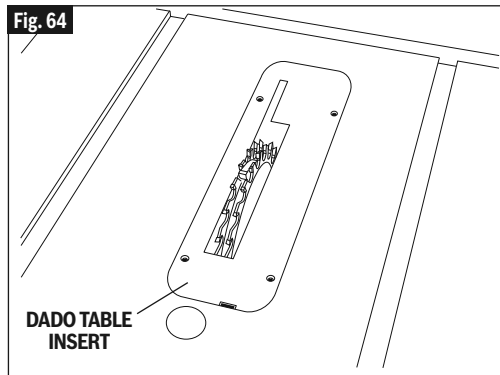
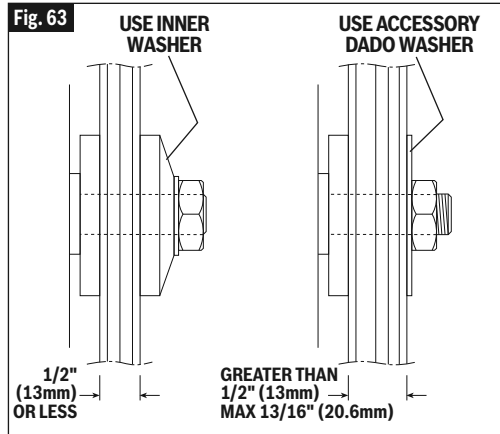
NOTE: These instructions apply when using most standard stacked dado sets. Do not use



Basic Table Saw Operation

dado set if manufacturer instructions differ from the ones provided below.

1. Disconnect plug from power source.
 2. Remove the barrier guard assembly and anti-kickback device (see page 17 and 18). Lower and lock the Riving Knife in its lowest position.
 3. Remove standard table insert plate. Raise saw blade to maximum height.
 4. Remove the arbor nut, then outer washer, saw blade, and inner blade washer (see page 20). Note: For only dado cutting, the washers must be installed differently (Fig. 63).
 5. Installing a dado stack (Fig. 62)
 - A. Place the (flat) outer washer back onto the arbor shaft. For dado cutting, this will serve as the inner washer.
 - B. Place the desired parts of the dado set onto the arbor shaft.
 - C. Place the supplied washer from the Dado Accessory Kit (TS1007) onto the outside of the dado stack.
 - D. Replace and tighten the arbor nut onto the arbor shaft (Fig. 63).
 6. Placing dado blades and chippers: (see Fig. 62)
 - For 1/4" (6mm) wide cuts, place the two outside dado blades (cutters) on the shaft. The two dado outside blades may be different, check for information on the blade and the manufacturer's instructions for proper installation.
 - For wider cuts (up to 13/16" [20.6mm] maximum), chipper blades and spacers can be placed only between the outside blades (cutters).
- NOTE:** The arbor nut must be fully engaged on shaft threads. If the stacked width is more than 1/2" (13mm), do not use the table saws' inner washer. Instead, use the accessory dado washer (included with Bosch Dado Table Insert TS1007). With this saw, do not exceed a stacked width greater than 13/16" (20.6mm).
7. Lower the blades below the table top and insert the Bosch Dado Table Insert TS1007 (Fig. 64). Raise the cutters to the desired depth of cut (above the insert). Check that the tool is not plugged



into a power source; then carefully rotate the cutters by hand to make sure all components are tightly held and no interferences exist.

8. Plug saw into power source. Using scrap wood, make practice dado cuts and adjust height accordingly.

NOTE: Because dado cuts are non-thru cuts, the miter gauge can be used with the rip fence locked in place. This is helpful when making repeat dado cross-cuts from the ends of more than one work piece. Each piece is held against the miter gauge and its end slides along the rip fence at a preset distance.

Depending on the final depth of cut and/or the density of the material, it may be required to make multiple cuts starting with small depths of 1/4" (6mm) to 1/2" (13mm) and progressing to final depth. When performing extensive repetitive dado cutting, periodically check the work pieces to see that the depth

Basic Table Saw Operation

of cut is maintained.

RETURNING SAW TO NORMAL THRU-CUTTING

After completing your dado cutting, be sure to return the inner and outer washers to the original positions (see page 20 for details). It is important that the original equipment washers are in the proper positions so that the saw blade always aligns with the permanently installed riving knife (Fig. 63).

ADJUSTABLE OR WOBBLE DADO SETS

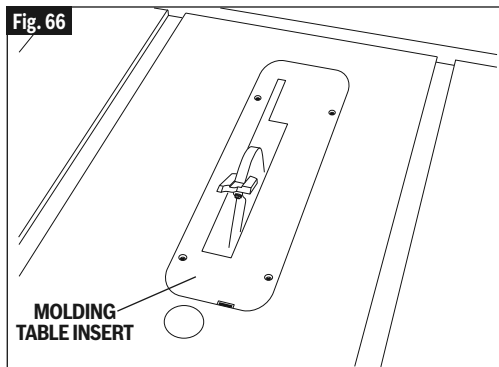
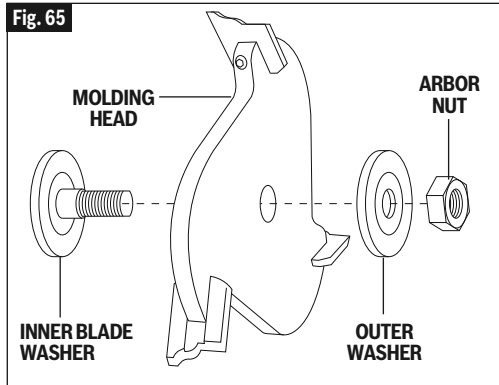
⚠ WARNING To reduce the risk of injury, do not use adjustable or “wobble” dado sets on this saw. Adjustable dado sets can be easily set to positions that may interfere with working components of this saw.

INSTALLING A MOLDING HEAD SET

⚠ WARNING To reduce the risk of injury, always disconnect plug from power source before changing blades.

⚠ WARNING To reduce the risk of injury, always use the Bosch Molding Table Insert No.TS1009. Never make molding head cuts without this insert. Do not use molding head sets larger than 7" (178mm) diameter and with cutters wider than 1" (25mm). Never set molding cutters to any bevel angle other than the vertical 0° angle. Follow all warnings and instructions shown here and those that accompany your molding head set. Failure to comply with these warnings may result in serious bodily injuries.

⚠ WARNING To reduce the risk of injury, never pass your hands over the cutting molding head cutters. Molding cuts are non-thru (blind) cuts. Many times the cutters can not be seen during cutting. See page 41 for instructions on non-thru sawing. The work piece must be held against the saw's rip fence as it is being fed. An auxiliary fence should be attached to the saw's rip fence (see page 34). Never make freehand cuts. Whenever possible, use push sticks and push blocks for molding cutting (see page 33). Use feather boards and hold-downs, attached to the table or rip fence (See page 41). **IMPORTANT:** Follow all instructions and warnings that come with your



molding head set.

A Molding Head Set may be used to add a variety of decorative edges to a wood work piece. These edges are commonly seen on trim moldings and furniture.

NOTE: Leave the inner washer in its original sawing position. Install molding head, then outer washer, and then arbor nut. Check that all cutters and the arbor nut are securely tightened. Some molding head sets come with an additional thick washer/spacer; this part is not used on the 4100XC table saw.

- Disconnect plug from power source. Raise saw blade to maximum height.
- Remove the barrier guard assembly and anti-kickback device (see page 17 and 18). Lower and lock the riving knife in its lowest position.
- Remove standard table insert plate.
- Remove the arbor nut and only the outer blade washer and saw blade (see

Basic Table Saw Operation

page 20). **NOTE:** Leave inner blade washer on arbor shaft.

- E. Place molding head against inner washer (with cutters facing to front of saw). Then place on the outer washer and tighten arbor nut on arbor shaft.
- F. Lower the cutters below the table top and insert the Bosch Molding Table Insert TS1009 (Fig. 66). Raise the cutters to the desired depth of cut (above the insert). Check that the tool is not plugged into a power source; then carefully rotate the cutters by hand to make sure all components are tightly held and no interferences exist.
- G. Plug saw into power source. Using scrap wood, make practice molding cuts and adjust height accordingly.

RETURNING SAW TO NORMAL THRU-CUTTING

After completing your molding cutting, be sure to return the inner and outer washers to the original positions (see page 20 for details). It is important that the original equip-

ment washers are in the proper positions so that the saw blade always aligns with the permanently installed riving knife.

Special Cutting Techniques

⚠ WARNING Do not attempt to perform cuts not covered in this manual unless you are thoroughly familiar with appropriate procedures and fixturing.

This table saw is a highly versatile tool, capable of performing a wide range of highly specialized cuts that cannot be covered in this manual.

See your local library for books on woodworking techniques, such as: *The Complete Book of Stationary Power Tool Techniques* by R.J. De Christoforo or *Table Saw Techniques* by R. Cliffe.

Maintaining Your Table Saw

GENERAL MAINTENANCE

⚠ WARNING For your own safety, turn switch “OFF” and remove plug from power source outlet before maintaining or lubricating your saw.

⚠ WARNING All repairs, electrical or mechanical, should be attempted only by trained repairmen. Contact the nearest Factory Service Center or Authorized Service Station or other competent repair service. Use only identical replacement parts, any other may create a hazard.

⚠ CAUTION Certain cleaning agents and solvents can damage plastic parts. Some of these are: gasoline, carbon tetrachloride, chlorinated cleaning solvents, ammonia and household detergents which contain ammonia. Avoiding use of these and other types of cleaning agents will minimize the possibility of damage.

Do not allow sawdust to accumulate inside the saw. Frequently use a brush to remove any dust that may accumulate inside the saw cabinet and the motor. Clean your cutting tools (i.e. blades) with a Gum and Pitch Remover.

Periodically clean the guard with a rag or a brush.

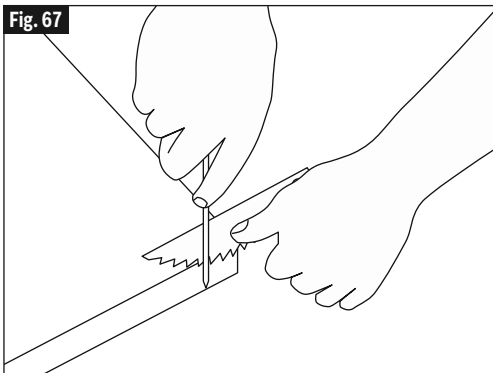
The cord and the tool should be wiped with a dry clean cloth to prevent deterioration from oil and grease.

A coat of automobile-type wax applied to the table will help to keep the surface clean and allow workpieces to slide more freely.

If the power cord is worn or cut, or damaged in any way, have it replaced immediately.

Make sure the teeth of the anti-kickback device are always sharp. To sharpen:

A. Remove anti-kickback device from riving



knife.

- B. Rotate one pawl away from the other.
- C. Hold pawl over corner of workbench (Fig. 67).
- D. Using a small round file (Smooth Cut) sharpen the teeth.

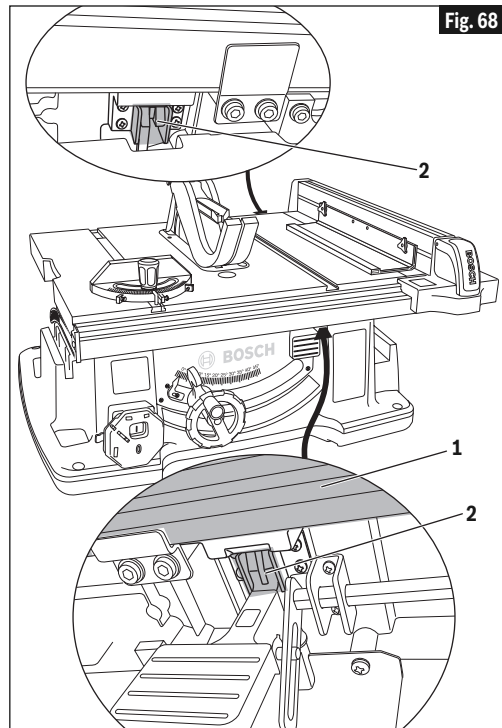
LUBRICATION

The gear case has been completely lubricated at the factory. However, after six months to one year, depending upon use, it's wise to return your tool to the nearest Service Center for the following:

- Brushes replaced.
- Parts cleaned and inspected.
- Relubricated with fresh lubricant.
- Electrical system tested.
- All repairs.

The following parts should be oiled occasionally with SAE No. 20 or No. 30 oil, or WD-40 (Fig. 68):

1. Sliding rails and supports.
2. Table locking cams (Front and Rear).



Attachments

⚠ WARNING Use only recommended attachments. Follow instructions that accompany attachments. Use of improper attachments may cause hazards.

Item	Cat. No.
Rear Outfeed Support	TS1016
Left Side Support	TS1008
Dust bag	TS1004
Zero Clearance Insert	TS1005
Dado Insert Set	TS1007
Molding Insert	TS1009
Pusher Guide System	TS1010
Gravity-Rise Wheeled Table Saw Stand	TS2100
Vacuum hose adapter	VAC004

Troubleshooting

⚠ WARNING Turn switch “OFF” and always remove plug from the power source before troubleshooting.

Problem	Cause	Corrective Action
Saw will not start	Power cord is not plugged in.	Plug saw in.
	Fuse or circuit breaker tripped.	Replace fuse or reset tripped circuit breaker.
	Cord damaged.	Have cord replaced by an Authorized Bosch Service Center or Service Station.
	Burned out switch.	Have switch replaced by an Authorized Bosch Service Center or Service Station.
Blade does not come up to speed	Extension cord too light or too long.	Replace with adequate cord.
	Low house voltage.	Contact your electric company.
Excessive vibration	Failure to tighten tilt lock handle.	See “Getting To Know Your Table Saw” section, (Pages 12–13).
	Blade out of balance.	Discard Blade and use different blade.
	Saw not mounted securely to stand or workbench.	Tighten all mounting hardware, See “Mounting the Table Saw” section, (Page 23).
	Arbor Nut not tight.	See “Assembly” section, “Changing The Blade” (Page 19).
Cannot make square cut when crosscutting	Miter Gauge not adjusted properly.	See “Adjustments” section, “Miter Gauge Adjustment” (Page 24).
Cut binds, burns, stalls motor when ripping	Dull blade with improper tooth set.	Sharpen or replace blade.
	Warped board.	Make sure concave or hollow side is facing “DOWN” feed slowly.
	Rip fence not parallel to blade.	See “Adjustments” section “Aligning Rip Fence” (Page 25).
	Spreader out of alignment.	See “Assembly” section, “Attaching the Smart Guard System” (Page 18).
Cut not true at 90° or 45° positions	Alignment screws not adjusted properly.	See “Adjustments” section, “Adjusting Blade Parallel to Miter Gauge Slots” (Page 23).
Tilt lock handle elevation wheel hard to move	Blade tilt lock handle not loosened when making tilt adjustment.	See “Getting To Know Your Table Saw” section, “Blade Tilt Lock Knob” (Pages 12–13).
	Saw dust on depth screw threads.	See “Maintaining Your Table Saw” section, “Lubrication” (Page 46).

Symboles relatifs à la sécurité

Les définitions ci-dessous décrivent le niveau de gravité pour chaque terme signalant un danger. Veuillez lire le mode d'emploi et lire la signification de ces symboles.





	C'est le symbole d'alerte relatif à la sécurité. Il est utilisé pour vous avertir de l'existence possible d'un danger de lésion corporelle. Obéissez à tous les messages relatifs à la sécurité qui suivent ce symbole pour éviter tout risque de blessure ou même de mort.
	DANGER indique une situation dangereuse qui, si elle n'est pas évitée, causera la mort d'une personne ou une blessure grave.
	AVERTISSEMENT indique une situation dangereuse qui, si elle n'est pas évitée, pourrait causer la mort d'une personne ou une blessure grave.
	MISE EN GARDE indique une situation dangereuse qui, si elle n'est pas évitée, causera une blessure légère ou modérée.

Table des matières

Symboles relatifs à la sécurité	49	Montage du disposition de protection contre les chocs en retour	67
Avertissements généraux concernant la sécurité des outils électroportatifs	50	Sélection et remplacement de la lame	68
1. Sécurité du lieu de travail	50	Utiliser la lame correcte	68
2. Sécurité électrique	51	Changement de la lame	69
3. Sécurité personnelle	51	Montage du guide de refente	70
4. Utilisation et entretien des outils électroportatifs	52	Attachement du guide de refente pour matériaux fins	70
5. Entretien	52	Rangement, transport et montage	71
Consignes de sécurité pour les scies à table	53	Rangement du guide d'onglet de la bague pousoir	71
1. Avertissements concernant les dispositifs de protection	53	Stockage du guide de refente et du guide de refente pour matériaux fins	71
2. Avertissements relatifs aux procédures de coupe	53	Rangement du système Smart Guard	72
3. Causes des effets de rebond et avertissements associés	54	Installation de la scie de table	72
4. Avertissements relatifs à la procédure d'utilisation de la scie à table	55	Réglages	73
Consignes de sécurité supplémentaires	57	Réglage de la lame parallèlement aux fentes du guide d'onglet	73
Utilisation prévue	57	Réglage du guide de coupe angulaire	73
Spécifications	58	Réglages du guide de refente	74
Outils à double isolation	58	Alignement du guide de refente	74
Rallonges	58	Réglage de l'indicateur du guide de refente	75
Symboles	59	Pour régler l'indicateur du guide de refente	75
Lexique	61	Réglage de l'indicateur de la table	75
Familiarisez-vous avec votre scie de table	62	Alignement du Couteau Diviseur	75
Ouverture de l'emballage et vérification du contenu	64	Vérification de l'alignement du couteau diviseur	76
Outils nécessaires à l'assemblage	65	Réglage du couteau diviseur	76
Assemblage	66	Réglage de l'élément rapporté de la table	77
Attachement de la grille du bas	66	Réglage des butées positives à 0 et 45 degrés	78
Montage du système Smart Guard	66	Réglage de la butée fixe à 0 degré :	78
Positionnement du couteau diviseur	66	Réglage de la butée fixe à 45 degrés :	78
Montage de l'ensemble de barrière de protection	67	Fonctionnement basique de la scie à table	79
		Interrupteur	79
		Utilisation du système Smart Guard	79

Table des matières

Couteau diviseur / séparateur80	Coupe transversale89
Barrière de protection principale80	Coupe transversale répétitive90
Taquets anti-rebond81	Réalisation de la coupe transversale répétitive91
Fabrication d'accessoires pour le sciage81	Coupe angulaire91
Fabrication d'une baguette poussoir et d'un plateau poussoir81	Coupe transversale biseautée91
Fabrication d'un guide auxiliaire81	Coupe angulaire biseautée92
Fabrication d'une planche à languettes82	Coupe partielle93
Fabrication du bloc d'appoint82	Réalisation de feuillures93
Fabrication d'un support auxiliaire pour le guide de refente82	Coupes de rainures et de moulures94
Fabrication d'un support auxiliaire pour le guide d'onglet83	Installation d'un ensemble de lames à rainurer94
Utilisation du bâton poussoir, du plateau poussoir et du guide auxiliaire84	Utilisation d'ensembles de lames à rainurer empilées94
Baguette poussoir84	Remise de la scie en état pour des coupes traversant complètement un ouvrage96
Plateau poussoir85	Ensembles de lames à rainurer réglables ou oscillantes96
Guide de coupe auxiliaire et guide de refente pour matériaux fins.85	Installation d'un ensemble de lames à moulurer96
Repère de sciage86	Remise de la scie en état pour des coupes traversant complètement un ouvrage98
Réglage de l'inclinaison de la lame86	Techniques de coupe spécialisées98
Réglage de la rallonge de table86	Entretien de votre scie à table98
Utilisation du guide de refente87	Entretien général98
Coupe en long88	Lubrification99
Coupe en long biseautée88	Attachements100
Utilisation de l'indicateur du guide de refente (Seulement si la rallonge n'est pas sortie)88	Guide de diagnostic101
Utilisation de l'indicateur de table (Seulement si la rallonge de table est sortie à fond)88	Gabarit pour guide de coupe angulaire pour ajouter des trous de montage155
Utilisation du guide de coupe angulaire89		
Réglage du guide de coupe angulaire89		

Avertissements généraux concernant la sécurité des outils électroportatifs

⚠ AVERTISSEMENT Lisez toutes les consignes de sécurité, instructions, illustrations et spécifications fournies avec cet outil électrique. Le non-respect de toutes les instructions figurant ci-après pourrait causer un choc électrique, un incendie et/ou des blessures graves.

CONSERVEZ TOUS LES AVERTISSEMENTS ET TOUTES LES CONSIGNES DE SÉCURITÉ POUR RÉFÉRENCE FUTURE.

Dans les avertissements, le terme « outil électroportatif » se rapporte à votre outil branché sur le secteur (avec fil) ou à votre outil alimenté par piles (sans fil).

1. Sécurité du lieu de travail

- Maintenez le lieu de travail propre et bien éclairé.** Les risques d'accident sont plus élevés quand on travaille dans un endroit encombré ou sombre.
- N'utilisez pas d'outils électroportatifs dans des atmosphères explosives, comme par exemple en présence de gaz, de poussières ou de liquides inflammables.** Les outils électroportatifs produisent des étincelles qui risquent d'enflammer les poussières ou les vapeurs.
- Éloignez les enfants et les visiteurs quand vous vous servez d'un outil électroportatif.** Vous risquez une perte de contrôle si on vous distrait.
- Faites en sorte que votre atelier ne présente aucun risque pour les enfants en installant des cadenas et / ou des interrupteurs/déjoncteurs.**

Avertissements généraux concernant la sécurité des outils électroportatifs

2. Sécurité électrique

- a. **Les fiches des outils électroportatifs doivent correspondre à la prise. Il ne faut absolument jamais modifier la fiche. N'utilisez pas d'adaptateur de prise avec des outils électroportatifs munis d'une fiche de terre.** Le risque de choc électrique est moindre si on utilise une fiche non modifiée sur une prise qui lui correspond.
- b. **Évitez tout contact du corps avec des surfaces reliées à la terre tels que tuyaux, radiateurs, gazinières ou réfrigérateurs.** Le risque de choc électrique augmente si votre corps est relié à la terre.
- c. **N'exposez pas les outils électroportatifs à la pluie ou à l'humidité.** Si de l'eau pénètre dans un outil électroportatif, le risque de choc électrique augmente.
- d. **Ne maltraitez pas le cordon. Ne vous en servez jamais pour transporter l'outil électroportatif, pour le tirer ou pour le débrancher. Éloignez le cordon de la chaleur, des huiles, des arêtes coupantes ou des pièces mobiles.** Les cordons abîmés ou emmêlés augmentent les risques de choc électrique.
- e. **Si vous utilisez un outil électroportatif à l'extérieur, employez une rallonge conçue pour l'extérieur** et réduisent le risque de choc électrique.
- f. **S'il est absolument nécessaire d'utiliser l'outil électroportatif dans un endroit humide, utilisez une alimentation protégée par un disjoncteur de fuite de terre (GFCI).** L'utilisation d'un disjoncteur GFCI réduit les risques de choc électrique.
- g. **Avant de raccorder votre outil à une source de courant (prise de courant, etc.), assurez-vous que la tension est bien la même que celle indiquée sur la plaque d'identification de l'outil.** Le branchement d'un outil sur une source de courant ayant une tension supérieure à celle prescrite par le fabricant présente des risques de dommages corporels graves pour l'utilisateur et peut causer des dégâts à l'outil. En cas de doute, NE BRANCHEZ PAS L'OUTIL SUR UNE PRISE DE COURANT. L'utilisation d'une source de courant ayant une tension inférieure à celle indiquée sur la plaque d'identification peut endommager le moteur.

3. Sécurité personnelle

- a. **Restez concentré, faites attention à ce que vous faites, et servez-vous de votre bon sens lorsque vous utilisez un outil électroportatif. N'employez pas d'outils électroportatifs quand vous êtes fatigué ou sous l'emprise de drogues, d'alcool ou de médicaments.** Quand on utilise des outils électroportatifs, il suffit d'un moment d'inattention pour causer des blessures corporelles graves.
- b. **Utilisez des équipements de sécurité personnelle. Portez toujours une protection oculaire.** Le port d'équipements de sécurité tels que des masques antipoussières, des chaussures de sécurité antidérapantes, des casques de chantier et des protecteurs d'oreilles dans des conditions appropriées réduira le risque de blessure corporelle.
- c. **Évitez les démarrages intempestifs. Assurez-vous que l'interrupteur est dans la position arrêt (Off) avant de brancher l'outil dans une prise de courant et/ou un bloc-piles, de le ramasser ou de le transporter.** Le transport d'un outil électroportatif avec le doigt sur la gâchette ou le branchement de cet outil quand l'interrupteur est en position de marche (ON) est une invite aux accidents.
- d. **Enlevez toutes les clés de réglage avant de mettre l'outil électroportatif en marche.** Si on laisse une clé sur une pièce tournante de l'outil électroportatif, il y a risque de blessure corporelle.
- e. **Ne vous penchez pas. Conservez toujours une bonne assise et un bon équilibre.** Ceci vous permettra de mieux maîtriser l'outil électroportatif dans des situations inattendues.
- f. **Habillez-vous de manière appropriée. Ne portez pas de vêtements amples ou de bijoux. Attachez les cheveux longs. N'approchez pas les cheveux, les vêtements ou les gants des pièces en mouvement.** Les vêtements amples, les bijoux ou les cheveux longs risquent d'être happés par les pièces en mouvement.
- g. **Si l'outil est muni de dispositifs permettant le raccordement d'un système d'aspiration et de collecte des poussières, assurez-vous que ces dispositifs sont raccordés et utilisés correctement.** L'utilisation d'un dépoussiéreur peut réduire les dangers associés à l'accumulation de poussière.
- h. **Ne laissez pas la familiarité résultant de l'utilisation fréquente des outils vous inciter à devenir complaisant(e) et à ignorer les**

Avertissements généraux concernant la sécurité des outils électroportatifs

principes de sécurité des outils. Une action négligente pourrait causer des blessures graves en une fraction de seconde.

4. Utilisation et entretien des outils électroportatifs

- a. **Ne forcez pas sur l'outil électroportatif. Utilisez l'outil électroportatif qui convient à la tâche à effectuer.** L'outil qui convient à la tâche fait un meilleur travail et est plus sûr à la vitesse pour lequel il a été conçu.
- b. **Ne vous servez pas de l'outil électroportatif si son interrupteur ne parvient pas à le mettre en marche ou à l'arrêter.** Tout outil électroportatif qui ne peut pas être commandé par son interrupteur est dangereux et doit être réparé.
- c. **Débranchez la fiche de la prise secteur et/ou retirez le bloc-piles de l'outil électrique (s'il est amovible) avant d'y apporter de quelconques modifications, de changer d'accessoire ou de ranger l'outil électrique.** De telles mesures de sécurité préventive réduisent le risque de démarrage intempestif de l'outil électroportatif.
- d. **Rangez les outils électroportatifs dont vous ne vous servez pas hors de portée des enfants et ne permettez pas à des personnes qui ne connaissent pas l'outil électroportatif ou qui ignorent ces consignes de s'en servir.** Les outils électroportatifs sont dangereux dans les mains d'utilisateurs inexpérimentés.
- e. **Entretenez de façon appropriée les outils électriques et les accessoires. Vérifiez que les pièces mobiles sont alignées correctement et ne coincent pas. Vérifiez qu'il n'y a pas de pièces cassées ou d'autre circonstance qui risquent d'affecter le fonctionnement de l'outil électroportatif. Si l'outil est abîmé, faites-le réparer avant de l'utiliser.** De nombreux accidents sont causés par des outils électroportatifs mal entretenus.
- f. **Maintenez les outils coupants affûtés et propres.** Les outils coupants entretenus correctement et dotés de bords tranchants affûtés sont moins susceptibles de coincer et sont plus faciles à maîtriser.
- g. **Utilisez l'outil électroportatif, les accessoires et les embouts d'outil, etc. conformément à ces instructions, en tenant compte des conditions de travail et des travaux à réaliser.** L'emploi d'outils électroportatifs pour des tâches différentes de celles pour lesquelles ils

ont été prévus peut résulter en une situation dangereuse.

- h. **Gardez les poignées et les surfaces de préhension propres, sèches et exemptes de toute trace d'huile ou de graisse.** Les poignées et les surfaces de préhension glissantes ne permettent pas une manipulation et un contrôle sûrs de l'outil dans des situations inattendues.
- i. **Ne modifiez pas l'outil et ne le soumettez pas à un usage abusif. Ces outils sont fabriqués selon des critères de haute précision.** Toute modification ou transformation non autorisée spécifiquement constitue un usage abusif et risquerait de présenter des dangers.
- j. **N'utilisez pas cette scie à table si elle n'a pas été complètement assemblée et installée conformément aux instructions, et avant d'avoir lu et compris ce qui suit :**
 1. Avertissements généraux concernant la sécurité des outils électroportatifs 50–52
 2. Consignes de sécurité pour les scies à table53–56
 3. Consignes de sécurité supplémentaires57
 4. Utilisation prévue57
 5. Spécifications58
 6. Outils à double isolation58
 7. Familiarisez-vous avec votre scie à table62–63
 8. Ouverture de l'emballage et vérification du contenu64
 9. Assemblage65–70
 10. Rangement, transport et montage 71–72
 11. Réglages73–78
 12. Fonctionnement basique de la scie à table79–98
 13. Entretien de votre scie à table ...98–99

5. Entretien

- a. **Faites réparer votre outil électroportatif par un agent de service qualifié n'utilisant que des pièces de rechange identiques.** Ceci assure que la sécurité de l'outil électroportatif est préservée.


Consignes de sécurité pour les scies à table

1. Avertissements concernant les dispositifs de protection

- a. **Laissez les dispositifs de protection en place. Les dispositifs de protection doivent être en bon état de fonctionnement et être montés correctement.** Un dispositif de protection desserré, endommagé ou ne fonctionnant pas correctement doit être réparé ou remplacé.
- b. **Utilisez toujours le dispositif de protection de la lame, le couteau séparateur et le dispositif de protection contre les chocs en retour pour chaque opération de coupe de bout en bout.** Pour les opérations de coupe de bout en bout dans le cadre desquelles la lame de scie coupe l'ouvrage sur toute son épaisseur, le dispositif de protection et les autres dispositifs de sécurité contribuent à réduire le risque de blessure.
- c. **Rattachez immédiatement le système de protection après la fin de chaque opération (par exemple, des coupes de rainures ou de feuillures, ou des opérations de resciage) qui nécessite le retrait du dispositif de protection, du couteau séparateur et/ou du dispositif de protection contre les chocs en retour.** Le dispositif de protection, le couteau séparateur et le dispositif de protection contre les chocs en retour contribuent à réduire le risque de blessure.
- d. **Assurez-vous que la lame de la scie n'est pas en contact avec le dispositif de protection, le couteau séparateur ou l'ouvrage avant de mettre l'interrupteur en position de marche.** Un contact par inadvertance de ces éléments avec la lame de la scie pourrait causer une situation dangereuse.
- e. **Ajustez le couteau séparateur tel que décrit dans le mode d'emploi.** Un espacement, positionnement ou alignement incorrect pourrait rendre le couteau séparateur inefficace et accroître ainsi le risque de choc en retour.
- f. **Pour que le couteau séparateur et le dispositif de protection contre les chocs en retour fonctionnent, ils doivent être engagés dans l'ouvrage.** Le couteau séparateur et le dispositif de protection contre les chocs en retour ne sont pas efficaces pour couper des ouvrages qui sont trop courts pour être engagés avec le couteau séparateur et le dispositif de protection contre les chocs en retour. Dans ces conditions, un choc en retour ne peut pas être évité par l'action du couteau séparateur et du dispositif de protection contre les chocs en retour.
- g. **Utilisez la lame de scie appropriée pour le**

couteau séparateur. Pour que le couteau séparateur fonctionne correctement, le diamètre de la lame de la scie doit correspondre au couteau séparateur approprié, le corps de la lame de la scie doit être plus fin que l'épaisseur du couteau séparateur et la largeur de coupe de la lame de la scie doit être supérieure à l'épaisseur du couteau séparateur.

2. Avertissements relatifs aux procédures de coupe

- a.  **Ne placez jamais vos doigts ou vos mains à proximité de la lame de la scie ou sur la trajectoire du trait de coupe.** Un moment d'inattention ou un dérapage de la lame pourrait mettre la lame de la scie en contact avec votre main et causer une blessure grave.
- b. **Faites seulement avancer l'ouvrage contre la lame de la scie ou le couteau dans le sens opposé au sens de rotation.** Si vous faites avancer l'ouvrage dans le même sens que le sens de rotation de la lame de la scie au-dessus de la table, il est possible que l'ouvrage et votre main soient attirés vers la lame de la scie.
- c. **N'utilisez jamais le guide d'onglet pour faire avancer l'ouvrage lors de coupes longitudinales, et n'utilisez pas le guide de refente comme butée longitudinale lors de coupes transversales avec le guide d'onglet.** Le fait de guider l'ouvrage avec le guide de refente et le guide d'onglet en même temps accroît le risque de voir la lame se coincer et causer un choc en retour.
- d. **Lors d'une coupe longitudinale, appliquez toujours la force d'alimentation de l'ouvrage entre le guide de refente et la lame de la scie. Utilisez un bâton poussoir lorsque la distance entre le guide de refente et la lame de la scie est inférieure à 150 mm / 6 po, et utilisez un plateau poussoir lorsque cette distance est inférieure à 50 mm / 2 po.** Les « accessoires de travail » vous aideront à maintenir les mains à une distance suffisante de la lame de la scie.
- e. **Utilisez seulement le bâton poussoir fourni par le fabricant ou un bâton poussoir construit conformément aux instructions.** Ca bâton poussoir assure une distance suffisante entre la main et la lame de la scie.
- f. **N'utilisez jamais un bâton poussoir endommagé ou coupé.** Un bâton poussoir endommagé pourrait se casser et précipiter votre main vers la lame de la scie.

Consignes de sécurité pour les scies à table

- g. N'effectuez aucune opération de coupe « à main levée ». Servez-vous toujours soit du guide de refente, soit de la jauge à onglets pour positionner et guider l'ouvrage.** Une opération « à main levée » fait référence à l'utilisation de vos mains pour supporter ou pour guider l'ouvrage à la place d'un guide de refente ou d'un guide d'onglet. Scier à main levée entraîne un alignement incorrect, un risque de coincement de la lame et un risque de choc en retour en conséquence.
- h. Ne vous penchez jamais au-dessus ou autour d'une lame de scie en rotation.** Vous risqueriez d'entrer en contact accidentellement avec la lame de scie en mouvement.
- i. Placez un soutien auxiliaire pour l'ouvrage à l'arrière et/ou sur les côtés de la table de la scie pour les pièces longues et/ou larges afin de les maintenir de niveau.** Un ouvrage long et/ou large a tendance à pivoter sur le bord de la table, pouvant ainsi causer une perte de contrôle, le coincement de la lame de la scie et un choc en retour.
- j. Faites avancer l'ouvrage à une vitesse uniforme. Ne recourbez pas ou ne tordez pas l'ouvrage. En cas de coincement, éteignez l'outil immédiatement, débranchez l'outil et dégagez l'ouvrage coincé.** Le coincement de la lame de la scie dans l'ouvrage risquerait de causer un rebond ou choc en retour ou de faire caler le moteur.
- k. Ne retirez pas de morceaux de matériau coupé pendant que la scie tourne.** Le matériau peut se coincer entre le guide de refente, ou à l'intérieur du dispositif de protection de la lame de scie, et la lame de la scie, attirant ainsi vos doigts vers la lame de la scie. Éteignez la scie et attendez que la lame de la scie cesse de tourner avant de retirer l'ouvrage.
- l. Utilisez un guide auxiliaire en contact avec le dessus de la table lorsque vous coupez longitudinalement des ouvrages de moins de 2 mm / 0,08 po d'épaisseur.** Un ouvrage très fin pourrait se coincer en dessous du guide de refente et entraîner un rebond ou choc en retour.
- tie de l'ouvrage entre la lame de la scie et le guide de refente ou un autre objet fixe.
Plus fréquemment, pendant un choc en retour, l'ouvrage est soulevé de la table par la partie arrière de la lame de la scie et est projeté en direction de l'opérateur.
Le rebond est la conséquence d'une utilisation incorrecte de la scie et/ou de conditions inappropriées ou de procédures opérationnelles incorrectes ; il peut être évité en prenant des précautions appropriées, comme cela est indiqué ci-dessous.
- a. Ne vous tenez jamais directement sur la trajectoire de la lame de la scie. Positionnez toujours votre corps du même côté de la lame de la scie que le guide.** Le rebond peut propulser l'ouvrage à grande vitesse vers une personne se tenant devant la lame de la scie et sur sa trajectoire.
- b. Ne vous penchez jamais au-dessus de la lame de la scie ou derrière celle-ci pour tirer ou soutenir l'ouvrage.** Un contact accidentel avec la lame de la scie peut se produire, ou un choc en retour peut attirer vos doigts vers la lame de la scie.
- c. Ne tenez jamais et ne pressez jamais un ouvrage qui est en train d'être coupé contre la lame de scie en rotation.** Le fait de pousser un ouvrage qui est en train d'être coupé contre la lame de la scie créera un risque de coincement qui pourrait résulter en un choc en retour.
- d. Alignez le guide pour qu'il soit parallèle à la lame de la scie.** Un guide mal aligné pincera l'ouvrage contre la lame de la scie et produira un effet de rebond.
- e. Utilisez une planche à languettes pour guider l'ouvrage contre la table et le guide lorsque vous effectuez des coupes partielles comme des coupes de feuillures ou de rainures, ou des opérations de resciage.** Une planche à languettes aide à contrôler l'ouvrage en cas de choc en retour.
- f. Faites particulièrement attention lorsque vous faites une coupe dans une partie sans visibilité d'un ouvrage assemblé.** La lame de scie saillante pourrait couper des objets pouvant causer un choc en retour.
- g. Soutenez les grands panneaux pour minimiser les risques de pincement de la lame de la scie et de choc en retour.** Les grands panneaux ont tendance à s'affaisser sous leur propre poids. Les supports doivent être placés en dessous de toutes les parties du panneau qui dépassent la surface de la table.

3. Causes des effets de rebond et avertissements associés

Le rebond (ou choc en retour) est une réaction soudaine de l'ouvrage produite par un pincement ou coincement de la lame de la scie, par un trait de coupe mal aligné sur l'ouvrage par rapport à la lame de la scie ou par le coincement d'une par-

Consignes de sécurité pour les scies à table

- h. **Faites tout particulièrement attention lorsque vous coupez un ouvrage qui est tordu, noueux ou déformé, ou qui n'a pas un bord droit pour le guider avec un guide d'onglet ou le long du guide de refente.** Un ouvrage déformé, tordu ou noueux est instable et cause un défaut d'alignement du trait de coupe sur la lame de la scie, ce qui risque de causer un coincement de cette dernière et un choc en retour.
- i. **Ne coupez jamais plus d'un ouvrage à la fois, et n'empilez les ouvrages ni verticalement, ni horizontalement.** La lame de la scie pourrait attraper un ou plusieurs morceaux de matériau et causer un choc en retour.
- j. **Lorsque vous remettez une scie en marche dont la lame est engagée dans un ouvrage, centrez la lame de la scie sur le trait de coupe de manière que les dents de la scie ne soient pas engagées dans le matériau.** Si la lame de la scie se coince, elle risque de causer un soulèvement du matériau et causer un rebond au moment du redémarrage de la scie.
- k. **Gardez les lames de scie propres et tranchantes, et en conservez-en un nombre suffisant. N'utilisez jamais de lames de scie déformées ou de lames de scie ayant des dents fissurées ou cassées.** Des lames de scie tranchantes et correctement installées minimisent les risques de coincement, de blocage ou de choc en retour. Le nettoyage de la sève ou du plastique accumulé sur les pointes et le corps de la lame réduira les risques de surchauffe et de coincement de la lame. Lors de la coupe de matériaux en plastique, évitez de faire fondre le plastique.
- l. **Ne relâchez pas l'ouvrage avant de l'avoir poussé complètement au-delà de la lame de la scie.** Sinon, vous risqueriez de causer un choc en retour et une blessure.
- m. **Ne confinez pas la partie venant d'être coupée en cas de coupe en long ou en travers.** Le confinement de la partie venant d'être coupée en cas de coupe en long ou en travers pourrait causer un choc en retour et une blessure.
- n. **Remplacez ou réaffûtez les taquets anti-rebonds quand leurs pointes commencent à être émoussées.** Des taquets anti-rebonds bien affûtés réduisent le risque de choc en retour.
- o. **Laissez en place le dispositif de protection de la lame de la scie, le couteau séparateur et les taquets anti-rebond, et vérifiez qu'ils fonctionnent tous correctement.** Le couteau sé-

parateur doit être aligné sur la lame de la scie, et les taquets anti-rebond doivent pouvoir arrêter un rebond éventuel après son déclenchement. Vérifiez leur fonctionnement avant de procéder à toute coupe longitudinale. Le maintien de ces pièces en état de fonctionnement optimal réduit le risque de choc en retour.

4. Avertissements relatifs à la procédure d'utilisation de la scie à table

- a. **Éteignez la scie à table et débranchez le cordon d'alimentation lorsque vous retirez l'élément amovible de la table, lorsque vous changez la lame de la scie ou lorsque vous procédez à un réglage du couteau séparateur, du dispositif de protection contre les chocs en retour ou du dispositif de protection de la lame de la scie, ainsi que quand la machine est laissée sans surveillance.** La prise de mesures de précaution évitera les accidents.
- b. **Ne laissez jamais la scie à table en marche sans surveillance.** Éteignez la scie et ne vous en éloignez pas avant qu'elle se soit complètement arrêtée. Une scie en fonctionnement sans surveillance est un danger incontrôlé.
- c. **Placez la scie à table dans un endroit bien éclairé et sur une surface plane, et assurez-vous que vous êtes dans une position solidement équilibrée quand vous l'utilisez. Elle doit être installée dans un endroit qui est assez spacieux pour vous permettre de manipuler votre ouvrage sans problème.** Les endroits exigus, mal éclairés et ayant des sols glissants invitent les accidents.
- d. **Nettoyez fréquemment la sciure en dessous de la table de la scie et/ou videz régulièrement la poussière se trouvant dans le dispositif de collecte de la poussière.** La sciure accumulée est combustible et pourrait prendre feu spontanément.
- e. **La scie à table doit être sécurisée.** Une scie à table mal sécurisée risquerait de glisser ou de se renverser.
- f. **Retirez les outils, morceaux de bois, etc. de la table avant que la scie à table ne soit mise en marche.** Les distractions ou risques de coincement pourraient être dangereux.
- g. **Utilisez toujours des lames de scie avec des trous d'arbre de taille et de forme appropriées (forme diamantée plutôt que ronde).** Les lames de scie qui ne correspondent pas au matériel de fixation de la scie se décentreront et causeront une perte de contrôle.

Consignes de sécurité pour les scies à table

- h. N'utilisez jamais de moyens de fixation de lames de scie incorrects, comme des brides de fixation, des rondelles pour lames de scie, des boulons ou des écrous.** Ces moyens de montage ont été conçus spécialement pour votre scie, afin d'en assurer un fonctionnement sans danger et une performance optimale.
- i. Ne vous tenez jamais sur la scie à table, et ne l'utilisez pas comme tabouret.** L'utilisateur s'expose à de graves blessures si l'outil est renversé ou entre accidentellement en contact avec son corps.
- j. Assurez-vous que la lame de la scie est installée de manière à tourner dans le sens correct. N'utilisez pas de meules abrasives, de brosses métalliques ou de meuleuses sur une scie à table.** Une installation inappropriée de la lame de la scie ou l'utilisation d'accessoires non recommandés pourrait causer des blessures graves.
- k. N'utilisez que des accessoires qui sont recommandés par le fabricant pour votre modèle d'outil.** Certains accessoires peuvent convenir à un type d'outil mais être dangereux quand ils sont utilisés avec un autre type d'outil.
- l. Si vous bloquez ou coincez la lame dans l'ouvrage, éteignez la scie et éliminez toute cause qui pourrait la bloquer ou la coincer avant de la faire redémarrer. Retirez l'ouvrage de la lame de la scie si la scie coince, et réinstallez. Vérifiez si la lame de la scie est parallèle aux fentes ou aux rainures de la table et si le couteau séparateur est correctement aligné sur la lame de la scie.** Si ceci se produit au cours d'une opération de coupe en long, vérifiez si le guide de refente est parallèle à la lame de la scie. Modifiez le réglage en suivant les instructions.
- m. Ne dégarez pas de petits fragments de matériau pouvant être emprisonnés dans le dispositif de protection de la lame pendant que la scie est en marche. Éteignez la scie et attendez que la lame soit complètement à l'arrêt.** Le retrait de tels fragments de matériau pendant que la scie est en mouvement pourrait mettre vos mains en danger ou causer un effet de rebond.
- n. Les coupes transversales seront plus aisées et la sécurité sera meilleure si vous montez une planche de support auxiliaire pour l'ouvrage sur le guide d'onglet.** Voir page 83.
- o. N'utilisez aucune lame ou aucun autre type d'outil de coupe conçu pour une vitesse de rotation inférieure à 3 650 tr/min.** L'utilisation d'une lame ou d'un autre outil de coupe ayant une vitesse nominale inférieure pourrait causer des blessures. N'utilisez jamais un outil de coupe d'un diamètre supérieur au diamètre maximum en fonction duquel la scie a été conçue. Pour assurer une efficacité et une sécurité maximum lors d'opérations de coupe en long, servez-vous d'une lame du diamètre maximum en fonction duquel la scie a été conçue; ainsi, le couteau séparateur sera tout près de la lame.
- p. Assurez-vous que l'élément amovible de la table de coupe est exactement à niveau avec la table ou légèrement en dessous de cette dernière sur tous les côtés, mis à part l'arrière. N'utilisez JAMAIS la scie sans que l'élément amovible approprié ne soit en place.** L'utilisation de la scie sans élément amovible approprié pourrait causer un choc en retour et des blessures.

Consignes de sécurité supplémentaires

Préparez un calendrier d'entretien périodique pour votre outil. Lors du nettoyage d'un outil, veillez à ne pas démonter une partie quelconque de l'outil étant donné que des fils internes pourraient avoir été déplacés ou avoir été pincés, ou état donné que des ressorts de dispositif de protection pourraient avoir été montés de façon incorrecte. Certains produits de nettoyage tels que l'essence, le tétrachlorure de carbone, l'ammoniac, etc. peuvent endommager les pièces en plastique.

⚠ AVERTISSEMENT Les travaux à la machine tel que ponçage, sciage, meulage, perçage et autres travaux du bâtiment peuvent créer des poussières contenant des produits chimiques qui sont des causes reconnues de cancer, de malformation congénitale ou d'autres problèmes reproductifs. Ces produits chimiques sont, par exemple :

- Le plomb provenant des peintures à base de plomb,
- Les cristaux de silices provenant des briques et du ciment et d'autres produits de maçonnerie, et
- L'arsenic et le chrome provenant des bois traités chimiquement

Le niveau de risque dû à cette exposition varie avec la fréquence de ces types de travaux. Pour réduire l'exposition à ces produits chimiques, il faut travailler dans un lieu bien ventilé et porter un équipement de sécurité approprié tel que certains masques à poussière conçus spécialement pour filtrer les particules microscopiques.

LA SÉCURITÉ AVANT TOUT

POUR ASSURER SA SÉCURITÉ, L'UTILISATEUR DOIT FAIRE PREUVE DE BON SENS ET DE VIGILANCE PENDANT TOUT LE TEMPS DURANT LEQUEL IL SE SERT DE L'OUTIL.

CONSERVEZ CES INSTRUCTIONS

Utilisation prévue

⚠ AVERTISSEMENT N'utilisez cette scie à table que de la manière pour laquelle elle a été conçue. Une utilisation inappropriée pourrait causer des blessures et des dommages matériels.

Cette scie à table est conçue pour les applications professionnelles de coupes longitudinales et transversales, des coupes d'onglets et de biseaux, et les coupes non traversantes dans divers matériaux.

N'utilisez pas cette scie à table pour couper des matériaux tels que de l'aluminium ou du cuivre, de la maçonnerie ou du ciment.


N'utilisez pas d'ensemble de lames à rainurer réglables ou désaxées avec cette scie à table.

Ne pas effectuer de coupes coniques sans utiliser d'accessoire de positionnement conique.

Spécifications

Tension	120V~ 60Hz
Intensité du courant	15A
Vitesse à vide	3650/min (RPM)
Diamètre de la lame	Ø10" (254mm)
Coupe longitudinale à droite - fermée	14-1/2" (368 mm)
Coupe longitudinale à droite - étendue	30" (760 mm)
Coupe longitudinale à gauche	9-1/4" (235 mm)
Profondeur de coupe à 90°	3-1/8" (79 mm)
Profondeur de coupe à 45°	2-1/4" (57mm)
Plage de biseau réglée à l'usine	0° / 45°
Plage de biseau sans butées	-2° / 47°
Diamètres des lames de rainurage	8" (203 mm) et 6" (152 mm)
Largeur maximum de la pile de lames de rainurage	13/16" (20,6 mm)

Outils à double isolation

La double isolation  est utilisée dans les outils électriques pour éliminer le besoin de cordon d'alimentation trois fils, dont la prise de terre, et de dispositif d'alimentation à prise de terre. Elle est homologuée par l'Underwriter's Laboratories, l'ACNOR et l'OSHA.

IMPORTANT : L'entretien d'un outil à double isolation exige la connaissance du système et la compétence d'un technicien qualifié

EN CAS D'ENTRETIEN, N'UTILISEZ QUE DES PIÈCES DE RECHANGE IDENTIQUES.

FICHES POLARISÉES. Si votre outil est équipé d'une fiche polarisée (une lame plus large que l'autre) elle ne s'enfiche que d'une manière dans une prise polarisée. Si la fiche n'entre pas à fond dans la prise, tournez-la d'un demi-tour. Si elle refuse encore d'entrer, demandez à un électricien qualifié d'installer une prise appropriée. Pour réduire le risque de chocs électriques, ne modifiez la fiche d'aucune façon.

Rallonges

Remplacez immédiatement toute rallonge endommagée. L'utilisation de rallonges endommagées risque de provoquer un choc électrique, des brûlures ou l'électrocution.

Toujours utiliser une rallonge appropriée. En cas de besoin d'une rallonge, utilisez un cordon de calibre satisfaisant pour éviter toute chute de tension, perte de courant ou surchauffe. Le tableau ci-contre indique le calibre des rallonges recommandées en fonction de leur longueur et de l'intensité indiquée sur la plaque du constructeur de l'outil. En cas de doute, optez pour le prochain calibre inférieur. Utilisez toujours des rallonges homologuées par l'U.L. et l'ACNOR.





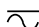


DIMENSIONS DE RALLONGES RECOMMANDÉES. OUTILS 120 VOLTS COURANT ALTERNATIF

Intensité nominale de l'outil	Calibre A.W.G.				Calibre en mm ²			
	Longueur en pieds				Longueur en mètres			
	25	50	100	150	15	30	60	120
3-6	18	16	16	14	0.75	0.75	1.5	2.5
6-8	18	16	14	12	0.75	1.0	2.5	4.0
8-10	18	16	14	12	0.75	1.0	2.5	4.0
10-12	16	16	14	12	1.0	2.5	4.0	-
12-16	14	12	-	-	-	-	-	-

REMARQUE : Plus le calibre du cordon est petit, plus sa capacité est élevée.












Symboles

Important : Certains des symboles suivants peuvent être utilisés sur votre outil. Veuillez les étudier et apprendre leur signification. Une interprétation appropriée de ces symboles vous permettra d'utiliser l'outil de façon plus efficace et plus sûre.

Symbole	Désignation / Explication
V	Volts (tension)
A	Ampères (courant)
Hz	Hertz (fréquence, cycles par seconde)
W	Watt (puissance)
kg	Kilogrammes (poids)
min	Minutes (temps)
s	Secondes (temps)
CFM	Pieds cubes par minute [ou pi^3 / min] (débit d'air)
∅	Diamètre (taille des mèches de perceuse, meules, etc.)
n0	Vitesse à vide (vitesse de rotation, à vide)
n	Vitesse nominale (vitesse maximum pouvant être atteinte)
.../min	Tours ou mouvement alternatif par minute (tours, coups, vitesse en surface, orbites, etc., par minute)
0	Position d'arrêt (vitesse zéro, couple zéro ...)
1, 2, 3, ... I, II, III,	Réglages du sélecteur (Réglages de vitesse, de couple ou de position. Un nombre plus élevé signifie une vitesse plus grande)
	Sélecteur variable à l'infini avec arrêt (La vitesse augmente depuis le réglage 0)
	Flèche (action dans la direction de la flèche)
	Courant alternatif (type ou caractéristique du courant)
	Courant continu (type ou caractéristique du courant)
	Courant alternatif ou continu (type ou caractéristique du courant)
	Construction classe II (désigne des outils construits avec double isolation)
	Borne de terre (borne de mise à la terre)

Symboles

Important : Certains des symboles suivants peuvent être utilisés sur votre outil. Veuillez les étudier et apprendre leur signification. Une interprétation appropriée de ces symboles vous permettra d'utiliser l'outil de façon plus efficace et plus sûre.

Symbole	Désignation / Explication
	Alerte l'utilisateur pour lire le mode d'emploi
	Alerte l'utilisateur pour porter des lunettes de sécurité
	Ce symbole signifie que cet outil est approuvé par Underwriters Laboratories.
	Ce symbole indique que ce composant est reconnu par Underwriters Laboratories.
	Ce symbole signifie que cet outil est approuvé par Underwriters Laboratories selon les normes des États-Unis et du Canada.
	Ce symbole signifie que cet outil est approuvé par l'Association canadienne de normalisation.
	Ce symbole signifie que cet outil est approuvé par l'Association canadienne de normalisation selon les normes des États-Unis et du Canada.
	Ce symbole signifie que cet outil est approuvé par Intertek Testing Services selon les normes des États-Unis et du Canada
	Ce symbole signifie que cet outil se conforme aux normes mexicaines NOM.
	Désigne le programme de recyclage des piles Li-ion.
	Désigne le programme de recyclage des piles Ni-Cad.

Lexique

TAQUETS ANTI-REBOND (également appelés griffes ou cliquets de protection contre les chocs en retour) : Cliquets de protection à ressort qui engagent l'ouvrage alors qu'il avance contre la scie. Ils restreignent le mouvement de l'ouvrage et servent à empêcher que l'ouvrage ne soit projeté en direction de l'utilisateur.

ARBRE : La tige sur laquelle un outil de coupe est monté.

BARRIÈRE DE PROTECTION : Un ensemble consistant en la fourche de montage et deux barrières latérales. Cet ensemble est conçu pour créer une barrière physique entre l'opérateur et la lame de scie en rotation.

BISEAU : Angle de la lame par rapport à la surface de la table.

COUPE TRANSVERSALE : Une opération de coupe ou de mise en forme effectuée dans le sens de la largeur de l'ouvrage afin de couper l'ouvrage à la longueur voulue.

RAINURAGE : Une coupe partielle produisant une entaille ou gorge de section carrée dans l'ouvrage.

PLANCHE À LANGUETTES : Un dispositif qui peut aider à guider l'ouvrage pendant une opération de coupe de refente en maintenant l'ouvrage en contact avec le guide de refente. Il aide également à prévenir les chocs en retour.

À MAIN LEVÉE : La réalisation d'une coupe sans guide longitudinal, guide d'onglet, système de fixation ou de retenue, ou autre dispositif visant à empêcher l'ouvrage de se tordre pendant la coupe pour qu'il ne présente pas de danger.

GOMME : Un dépôt glutineux provenant de la sève des produits à base de bois. Une fois durci, ce dépôt est généralement appelé « RÉSINE ».

DÉVIATION : Un défaut d'alignement de la lame qui a pour effet que le côté de fuite, ou de sortie, de la lame entre en contact avec la surface coupée de l'ouvrage. Cette déviation peut entraîner des rebonds ou le blocage de la machine, faire travailler le moteur à un régime trop élevé, provoquer un échauffement excessif de l'ouvrage ou faire que l'ouvrage se fende. D'une manière générale, une déviation de la lame empêche de réaliser des coupes propres et peut donner lieu à des situations dangereuses.

TRAIT DE SCIE : L'espace dans l'ouvrage où du matériau a été retiré par l'action de la lame.

REBOND/CHOC EN RETOUR : La saisie incontrôlée et la projection de l'ouvrage vers le devant de la scie pendant une opération de coupe de refente.

BORD D'ATTAQUE : L'extrémité de l'ouvrage qui, pendant une opération de coupe de refente, est poussée en premier vers l'outil de coupe.

MOULURE : Une coupe partielle d'une forme spéciale dans un ouvrage servant à l'assemblage ou à la décoration.

COUPE PARTIELLE : Toute opération de coupe lors de laquelle la lame ne traverse pas complètement l'ouvrage (p. ex., rainure, feuillure).

PARALLÈLE : La position du guide de refente égale en distance à chaque point du côté latéral de la lame de la scie.

PERPENDICULAIRE : L'intersection à 90° (angle droit) ou la position des plans vertical et horizontal telle que la position de la lame de la scie est verticale par rapport à la surface de la table (horizontale).

PLATEAU POUSSOIR : Un accessoire utilisé d'opérations de coupe en long de pièces trop étroites pour que l'on puisse utiliser une baguette pousoir. Servez-vous d'un plateau pousoir lorsque la largeur de la pièce à refendre est inférieure à 5 centimètres.

BAGUETTE POUSSOIR : Un accessoire servant à faire avancer l'ouvrage contre la lame de la scie lors d'opérations de coupe en long de pièces étroites de façon à ce que les mains de l'utilisateur demeurent à bonne distance de la lame. Servez-vous de la baguette pousoir lorsque la largeur de la pièce à refendre se situe entre 5 et 15 centimètres.

FEUILLURE : Une encoche dans le bord d'un ouvrage. On l'appelle parfois une rainure de bord.

TOURS/MINUTE (TR/MIN) : Le nombre de révolutions accomplies par un objet en rotation pendant une minute.

COUPE EN LONG : Une coupe pratiquée dans le sens de la longueur de l'ouvrage et à la largeur voulue.

COUTEAU DIVISEUR OU ÉCARTEUR : Un dispositif qui maintient le trait de scie ouvert pendant la coupe du matériau de l'ouvrage. Ceci réduit le risque de voir l'ouvrage se coincer contre la lame de la scie.

SMART GUARD : Un système comprenant trois éléments : Couteau séparateur / diviseur, taquets anti-rebond et barrière de protection principale.

COUPE DE BOUT EN BOUT : Toute opération de coupe lors de laquelle la lame coupe toute l'épaisseur de l'ouvrage.

PROJECTION : Événement lors duquel un petit fragment de matériau venant d'être coupé est attrapé par l'arrière de la lame et projeté vers l'opérateur.

OUVRAGE : Pièce sur laquelle l'opération de coupe est effectuée. Les différentes surfaces d'un ouvrage sont communément appelées faces, extrémités et bords.

Familiarisez-vous avec votre scie de table

1. INTERRUPTEUR MARCHE-ARRÊT

L'interrupteur incorpore un dispositif de verrouillage (fermoir) pour permettre son emploi avec un cadenas afin de prévenir une mise en marche accidentelle.

2. TABLE DE COUPE

Grande surface de travail qui permet de bien soutenir l'ouvrage.

3. EMBASE / SOUS-EMBASE

Supporte la scie de table. La sous-embase fournit plus de stabilité et permet un glissement plus facile sur les surfaces. Des orifices ont été créés dans l'embase pour boulonner la scie sur un établi ou une autre plate-forme de support.

4. POIGNÉE DE VERROUILLAGE DU DISPOSITIF D'INCLINAISON DE LA LAME

Verrouille le mécanisme d'inclinaison après réglage de la lame dans la position voulue.

5. RALLONGE DE TABLE

Élargit la surface de travail pour permettre de scier des pièces plus longues.

6. POIGNÉE DE VERROUILLAGE DE LA RALLONGE DE TABLE

Permet de bloquer la rallonge de table à la distance désirée.

7. VOLANT DE RÉGLAGE DE HAUTEUR

Permet de lever ou d'abaisser la lame. Utilisez avec la poignée de verrouillage de biseau de la lame 4 pour incliner la lame entre 0 et 45 degrés.

8. ÉCHELLE D'INCLINAISON DE LA LAME

Indique l'angle d'inclinaison de la lame.

9. ÉCHELLE DU GUIDE DE REFENTE

Indique la distance entre la lame et le guide par l'intermédiaire d'un hublot pratique muni d'une loupe. Utilisez la partie inférieure de l'échelle jusqu'à 13 pouces et la partie supérieure au-delà.

10. GUIDE DE COUPE ANGULAIRE

La tête peut être verrouillée à l'angle désiré pour des coupes transversales ou un assemblage en onglet en serrant le bouton de verrouillage. NE MANQUEZ JAMAIS DE BIEN LE SERRER LORSQUE VOUS VOUS SERVEZ DE CE GUIDE.

11. COMPARTIMENT DE RANGEMENT DU GUIDE DE REFENTE

Permet de ne pas égarer le guide de refente lorsque celui-ci n'est pas en utilisation.

12. REPÈRE DE SCIAGE

Permet de marquer et de repérer l'endroit exact où la lame pénétrera dans la pièce.

13. COMPARTIMENT DE RANGEMENT DU GUIDE DE COUPE ANGULAIRE

Permet de ne pas égarer le guide de coupe angulaire lorsque celui-ci n'est pas en utilisation.

14. RANGEMENT DE LA LAME ET CLÉ

Vous permet de ranger des lames de 10 po et une clé à arbre.

15. CLÉ HEXAGONALE ET COMPARTIMENT DE RANGEMENT

Clé hexagonale pour démonter le protège-lame et ajuster diverses têtes hexagonales sur la scie.

16. RANGEMENT DU CORDON

Permet de facilement enrouler le cordon avant de transporter ou de ranger la scie.

17. RACCORD D'ASPIRATION

Votre scie de table est dotée d'un raccord d'aspiration qui vous permet d'y connecter tout tuyau d'aspiration de 2-1/4 po afin d'évacuer facilement le bran de scie.

18. GUIDE DE REFENTE

Guide de refente à auto-alignement et de réglage rapide; se déplace et se verrouille facilement grâce à sa poignée de verrouillage.

19. SYSTÈME SMART GUARD

Se compose de trois éléments principaux : couteau diviseur réglable (trois positions), dispositif de protection contre les chocs en retour et barrière de sécurité. Ces trois éléments font tous partie d'un système modulaire qui ne nécessite aucun outil pour son montage ou son démontage. Ce système Guard doit toujours être en place et doit toujours fonctionner correctement pour toutes les coupes transversales à la scie.

20. RANGEMENT DU SYSTÈME SMART GUARD

Quand ils ne sont pas utilisés, la barrière de sécurité principale et le dispositif de protection contre les chocs en retour peuvent être rangés sous la rallonge de droite de la table.

21. ÉLÉMENT AMOVIBLE DE LA TABLE DE COUPE

Peut être retiré afin de démonter ou de poser une lame ou autre outil de coupe.

22. POUSSOIR

Vous permet de refendre de petit morceaux de matériau avec un niveau de sécurité plus élevé.

23. PORTE-BAGUETTE POUSSOIR

Une aire de rangement pour y placer la baguette poussoir quand elle n'est pas utilisée.

24. TROUS DE MONTAGE

Ils servent à assujettir la scie sur un banc ou une table de travail.

25. GUIDE DE REFENTE DE MATÉRIAUX FINS

Utilisé pour la coupe longitudinale d'ouvrages d'une épaisseur égale ou inférieure à 1/8 po (3,2mm).

26. STOCKAGE DU GUIDE DE REFENTE DE MATÉRIAUX FINS

Utilisé pour ranger les guides de refente de matériaux fins conjointement avec les cordons d'alimentation enroulés 16.

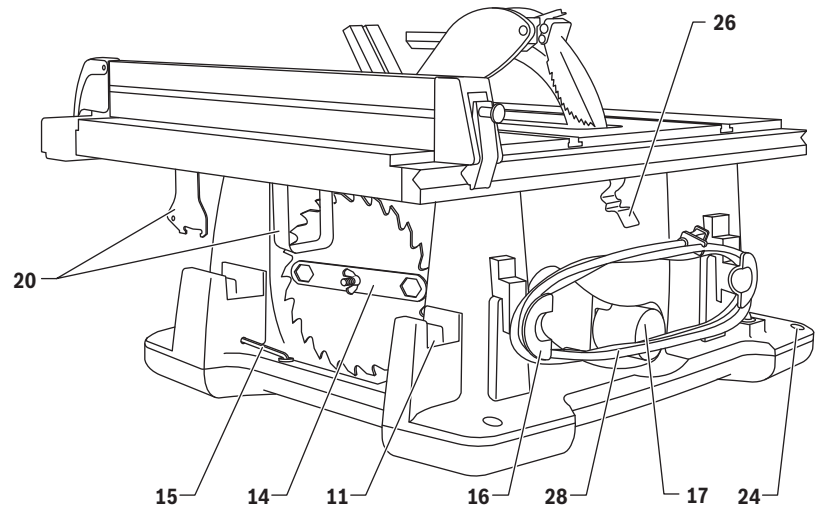
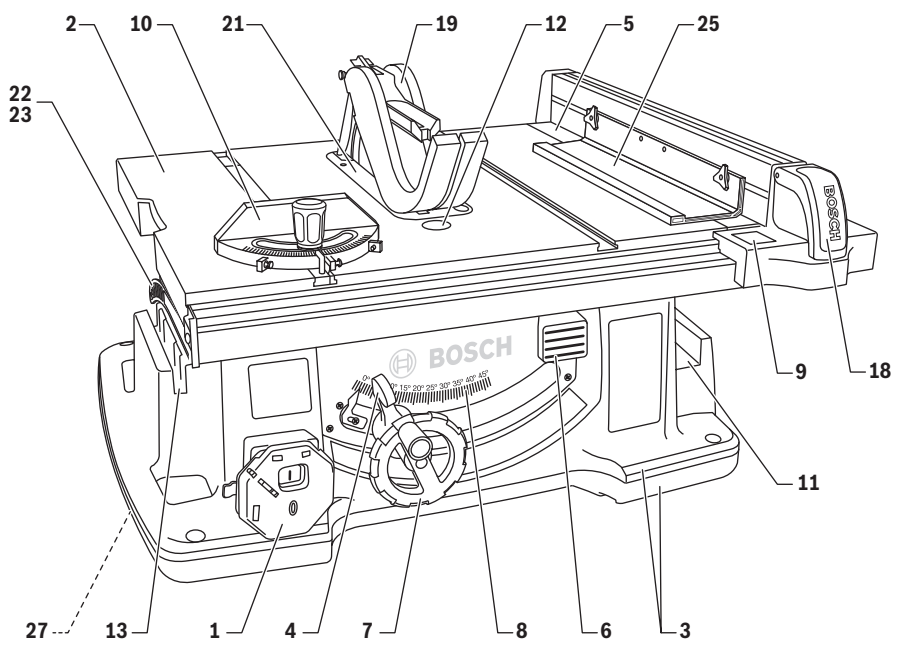
27. GRILLE DU BAS

Attachée au dessous de la base, la grille du bas empêche tout accès non intentionnel à l'intérieur de la scie.

28. CORDON D'ALIMENTATION

Familiarisez-vous avec votre scie de table

Fig. 1



Ouverture de l'emballage et vérification du contenu

⚠ AVERTISSEMENT Afin d'éviter les blessures causées par une mise en marche accidentelle ou un choc électrique, ne branchez pas le cordon d'alimentation sur une prise électrique. Ce cordon ne doit jamais être branché lorsque vous travaillez sur votre scie.

⚠ AVERTISSEMENT S'il manque une ou plusieurs pièces, n'essayez pas d'assembler la scie, de brancher le cordon d'alimentation électrique ou de mettre l'interrupteur en position « MARCHE » avant de vous être procuré et d'avoir installé correctement les pièces manquantes.

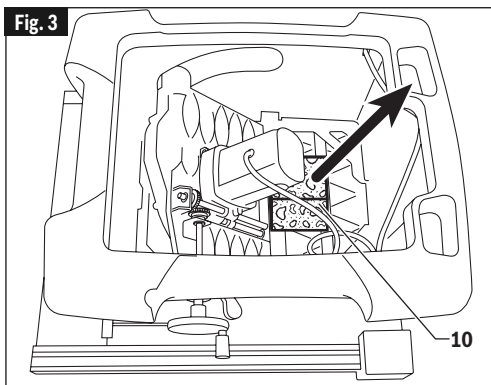
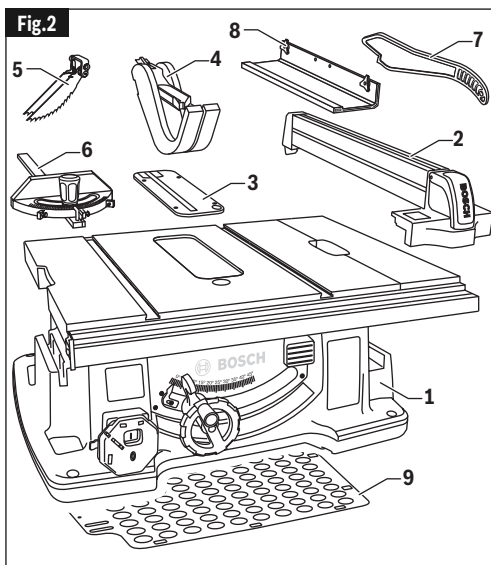
La scie de table modèle 4100XC est expédiée complète dans un seul carton.

Déballiez toutes les pièces et vérifiez, à l'aide de la « Liste des pièces fournies » et des illustrations, et avant de mettre l'emballage au rebut, que la scie est bien complète (Fig. 3).

LISTE DES PIÈCES FOURNIES

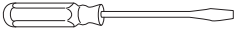
ARTICLE	DESCRIPTION	QUANTITÉ
1	Ensemble table et socle	1
2	Guide de refente	1
3	Élément amovible de la table de coupe	1
4	Protège-lame	1
5	Dispositif de protection contre les chocs en retour	1
6	Guide de coupe angulaire	1
7	Baguette-poussoir	1
8	Guide de refente de matériaux fins	1
9	Grille du bas	1
10	Bloc de polystyrène (pour l'expédition seulement)	1

REMARQUE : Enlevez le bloc de polystyrène **10** situé entre la table et le moteur (il fait partie de l'emballage) (Fig. 3). Vous risquez d'abîmer le mécanisme de levage de la lame si vous essayez de lever celle-ci sans enlever le bloc de polystyrène.



Outils nécessaires à l'assemblage

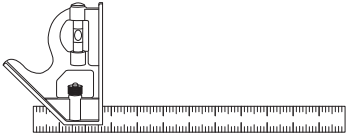
L'ÉQUERRE À COMBINAISON DOIT ÊTRE BIEN RÉGLÉE



TOURNEVIS DE TAILLE MOYENNE



TOURNEVIS À LAME CRUCIFORME

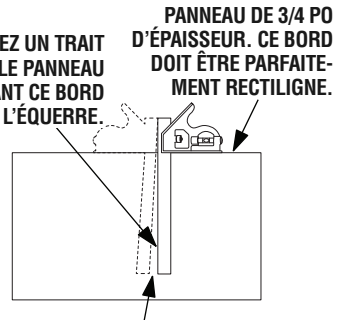


ÉQUERRE À COMBINAISON



**CLÉ DE 10 MM
OU CLÉ À MOLETTE**

TRACEZ UN TRAIT LÉGER SUR LE PANNEAU EN SUIVANT CE BORD DE L'ÉQUERRE.



PANNEAU DE 3/4 PO D'ÉPAISSEUR. CE BORD DOIT ÊTRE PARFAITEMENT RECTILIGNE.

LORSQUE L'ÉQUERRE EST POSITIONNÉE SUIVANT LE POINTILLÉ, IL NE DOIT Y AVOIR NI ÉCART, NI CHEVAUCHEMENT.

Assemblage

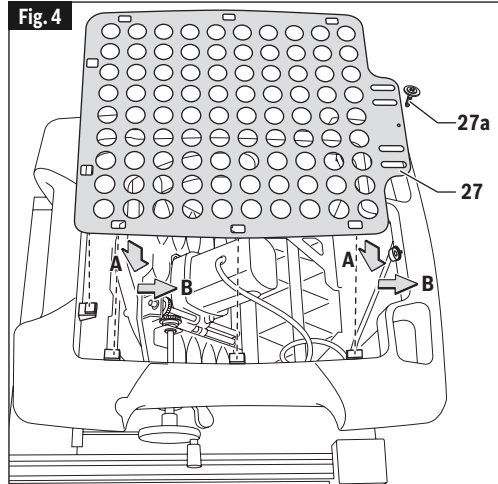
Attachement de la grille du bas

⚠ AVERTISSEMENT Débranchez la fiche de la prise de courant avant d'effectuer quelque assemblage ou réglage que ce soit ou de changer les accessoires.

Après avoir retiré le bloc de polystyrène (voir Fig. 3), alignez les trous de montage de la grille sur les languettes de montage de la base.

Abaissez la grille **27** (**A**), faites-la glisser vers la droite (**B**), puis attachez-la avec la vis **27a** (Fig. 4).

Inspectez périodiquement la grille du bas pour s'assurer qu'il n'y a pas d'accumulation de débris, et nettoyez-la si nécessaire.



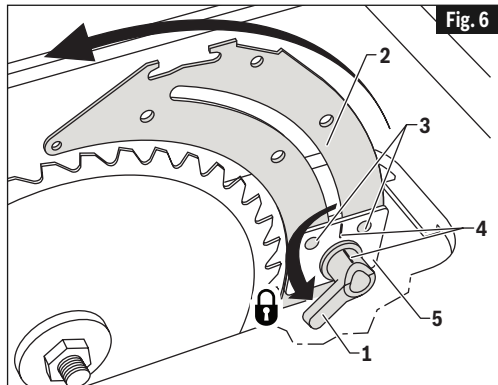
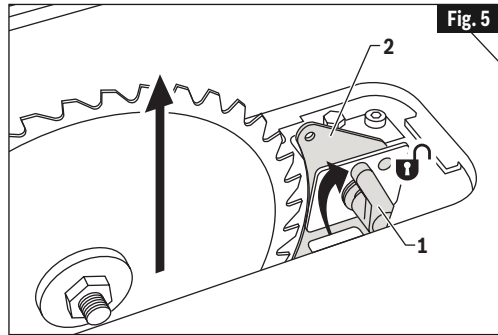
Montage du système Smart Guard

⚠ AVERTISSEMENT Pour éviter le risque de blessure, débranchez toujours la fiche de la source d'alimentation électrique avant de monter ou de démonter le système Smart Guard.

POSITIONNEMENT DU COUTEAU DIVISEUR

⚠ AVERTISSEMENT Sécurisez complètement le couteau diviseur avant de vous servir de la scie de table. Un couteau diviseur mal assujéti pourrait glisser dans la lame et être projeté vers vous.

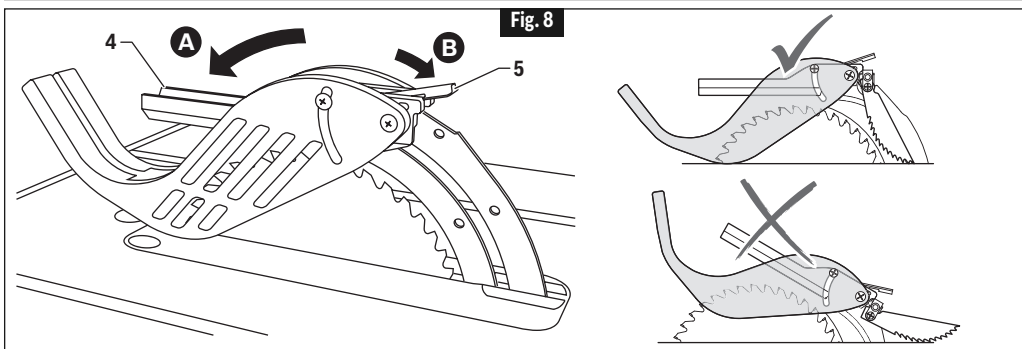
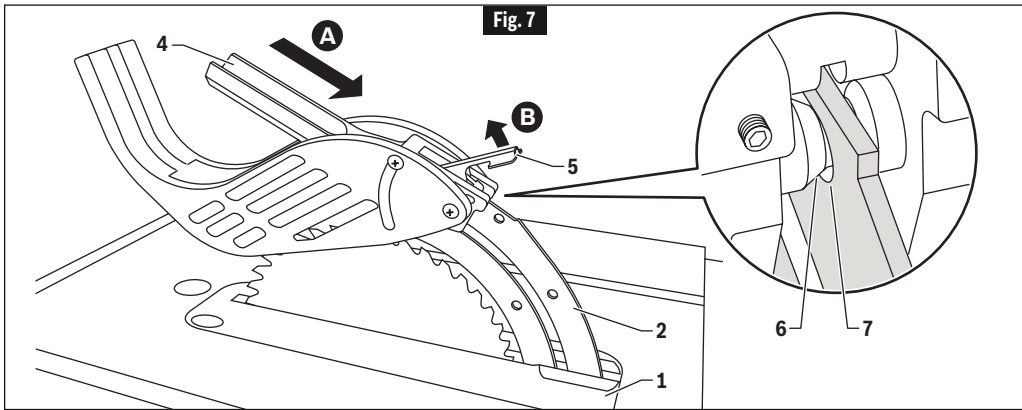
1. Retirez l'élément amovible **21** de la table en utilisant le trou pour le passage d'un doigt (Fig. 1).
2. Élevez la lame aussi haut qu'elle ira en faisant tourner la roulette de réglage de la hauteur **7** dans le sens des aiguilles d'une montre, et installez-la perpendiculairement à la table (0° sur l'échelle graduée des biseaux) (Fig. 1).
3. Faites tourner le levier de relâchement du couteau diviseur **1** dans le sens des aiguilles d'une montre de façon qu'il soit orienté vers le haut (Fig. 5).
4. Tirez le couteau diviseur **2** vers le levier de relâchement afin de le libérer des chevilles **3** (Fig. 6).
5. Faites glisser le couteau diviseur **2** jusqu'à sa position la plus élevée de



façon qu'il soit directement au-dessus du centre de la lame (Fig. 6).

6. Alignez les trous dans le couteau diviseur sur les broches **3** et assurez-vous que les broches sont engagées dans les trous du

Assemblage



couteau diviseur. Verrouillez le levier de relâchement du couteau diviseur **1** en le faisant tourner dans le sens contraire des aiguilles d'une montre. Appuyez fermement sur le levier de verrouillage pour sécuriser le couteau diviseur, puis appuyez/tirez sur le couteau diviseur pour vous assurer qu'il est bien verrouillé en place. Les traits de repère **4** sur le levier et sur la pince de fixation **5** doivent être alignés comme illustré (Fig. 6).

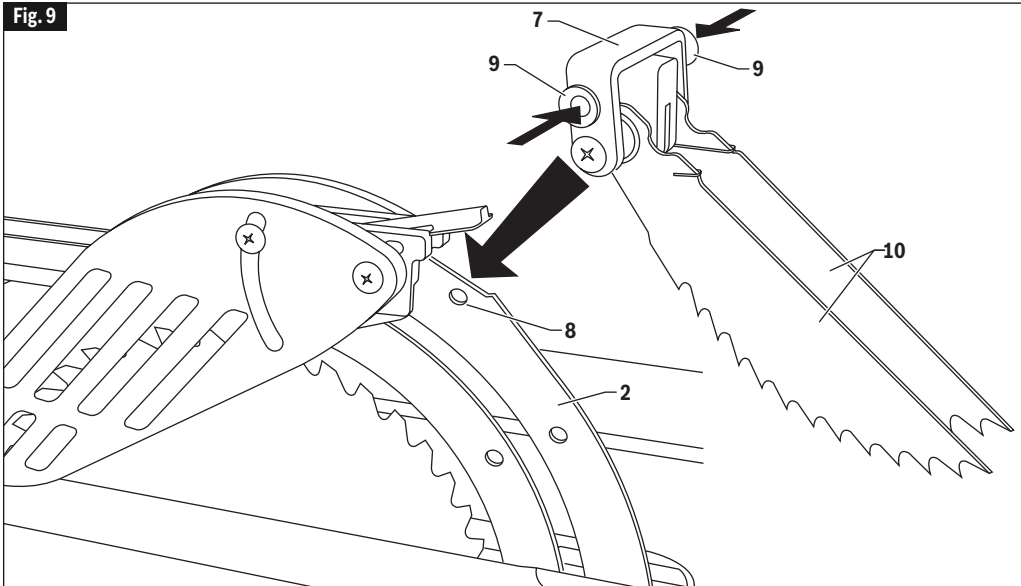
7. Vérifiez l'alignement du couteau diviseur sur la lame avant de remplacer l'élément amovible de table et d'attacher l'ensemble de dispositif de protection (se référer à la section « Alignement du couteau diviseur » à la page 75). S'il n'est pas aligné sur la lame, recommencez le processus de positionnement du couteau diviseur et assurez-vous que les broches sont totalement engagées dans les trous du couteau diviseur.
8. Remettez l'élément rapporté de la table à sa place (Fig. 7).

MONTAGE DE L'ENSEMBLE DE BARRIÈRE DE PROTECTION

9. Tenez d'une main la partie avant de l'ensemble de barrière de protection par la « fourche » **4**. De l'autre main, tenez le levier de relâchement de la barrière de sécurité **5** en haut (Fig. 7).
10. Abaissez l'arrière de l'ensemble de barrière de protection et faites glisser la barre transversale **6** dans l'encoche arrière **7** en haut du couteau diviseur **2** (Fig. 7).
11. Abaissez la partie avant de l'ensemble de barrière de sécurité jusqu'à ce que la « fourchette » **4** soit parallèle à la table (Fig. 8).
12. Appuyez sur le levier de relâchement de la barrière de sécurité **5** jusqu'à ce que vous constatiez tactilement et auditivement qu'il est dans la position de verrouillage. Vérifiez que l'ensemble de barrière de sécurité est connecté solidement (Fig. 8).

Assemblage

Fig. 9



MONTAGE DU DISPOSITIF DE PROTECTION CONTRE LES CHOC EN RETOUR

13. Attachez le dispositif de protection contre les chocs en retour **7** dans la zone plate encastrée **8** du couteau diviseur **2** (Fig. 9).
14. Comprimez les broches de compression **9** tout en enfonçant le dispositif dans la zone plate (Fig. 9).
15. Relâchez les broches de compression de manière à ce que le dispositif anti-rebond se verrouille dans le couteau séparateur juste derrière l'ensemble de barrière de protection. Vérifiez que la cheville de fixation est connectée solidement dans l'orifice de verrouillage. Élevez et baissez délicatement les cliquets **10** – lorsque vous les relâchez, ces cliquets à ressort doivent tomber et entrer en contact avec l'élément rapporté de la table (Fig. 9).

Suggestion : positionnez le dispositif de protection contre les chocs en retour derrière la zone plate encastrée et faites-le glisser vers l'avant jusqu'à ce qu'il tombe dans la zone encastrée – puis relâchez les chevilles de compression.

Remarque : les deux accessoires sont indépendants l'un de l'autre. Le dispositif de

protection contre les chocs en retour peut donc être monté avant l'ensemble de barrière de sécurité.

Sélection et remplacement de la lame

⚠ AVERTISSEMENT Pour éviter les blessures, débranchez toujours le cordon d'alimentation de la prise de courant avant de changer la lame.

UTILISER LA LAME CORRECTE

IMPORTANT : la lame de scie fournie sur cet outil a une largeur de voie à pointe au carbure de 0,102 po (2,6mm) et une épaisseur de plaque (corps) d'une épaisseur de 0,071 po (1,8mm). Lorsque vous aurez besoin de remplacer une lame, sélectionnez-en une dont les dimensions sont proches de celle de la lame d'origine. Cette information n'est peut-être pas imprimée sur l'emballage des lames. Si elle ne l'est pas, consultez le catalogue ou le site web du fabricant. Bosch offre une gamme étendue de lames de scie professionnelle de qualité supérieure qui sont compatibles avec cet outil. Vous devez choisir une lame avec une largeur de voie de 0,092 po (2,3mm) ou plus et une plaque (corps) ayant une épaisseur 0,088 po (2,2mm) ou moins (Fig. 10).

Assemblage

⚠ AVERTISSEMENT Pour réduire le risque de blessure, n'utilisez pas de lames de scie ayant une voie extra-fine. La voie de la lame doit être plus large que 0,092 po (2,3mm). Des lames de scie dont la voie est extra-fine (moins de 0,092 po [2,3mm]) risqueraient de faire adhérer l'ouvrage au couteau diviseur pendant la coupe. Il est recommandé que la voie de la lame de remplacement utilisée sur cette scie soit de 0,092 (2,3mm) ou plus.

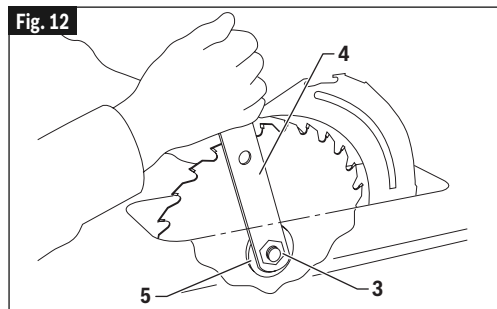
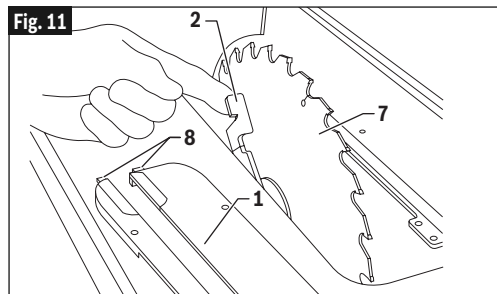
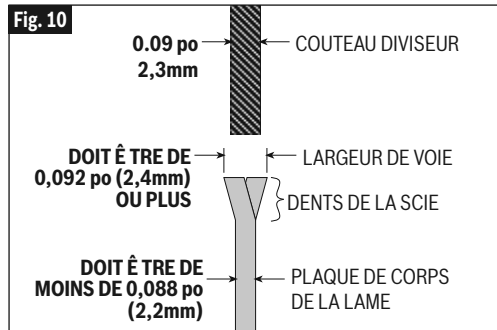
⚠ AVERTISSEMENT Pour réduire le risque de blessure, n'utilisez pas de lames de scie fabriquées avec une plaque/un corps épais. Si l'épaisseur de la plaque de la lame de scie de remplacement est supérieure à 0,088 po (2,2mm), le couteau diviseur n'aidera pas réellement à réduire les risques de rebond. L'épaisseur de la plaque de la lame de remplacement doit être moins de 0,088 po (2,2mm).

⚠ AVERTISSEMENT Pour réduire le risque de blessure, n'utilisez pas d'« amortisseurs », de « stabilisateurs » ou de « collets de raidissement » des deux côtés d'une lame de remplacement. Il s'agit de plaques en métal positionnées contre les côtés de la lame afin de réduire la déflexion qui pourrait se produire lors de l'utilisation de lames de scie fines. L'utilisation de tels dispositifs des deux côtés rendrait impossible un alignement correct de la lame avec le couteau diviseur, ce qui pourrait faire adhérer l'ouvrage à l'outil pendant la coupe. Une plaque de type « stabilisateur » ne peut être placée que contre l'extérieur d'une lame de remplacement fine. Il n'est pas nécessaire d'employer de telles plaques avec la lame Bosch fournie.

CHANGEMENT DE LA LAME

⚠ MISE EN GARDE Postez toujours des gants lorsque vous voulez changer ou manipuler les lames de quelque façon que ce soit. Les pointes des lames peuvent causer des blessures.

1. Tournez le volant de réglage de la hauteur **9** (Fig. 1) dans le sens des aiguilles d'une montre jusqu'à ce que la lame soit aussi élevée que possible, puis retirez l'élément rapporté de la table **1** en utilisant le trou pour les doigts (Fig. 11).
2. Levez le levier de verrouillage de l'arbre **2** et faites tourner doucement la lame à la main jusqu'à ce que le verrou s'en-



clenche complètement sur l'arbre de la scie et bloque sa rotation (Fig. 11). Desserrer l'écrou de l'arbre **3** en sens anti-horaire à l'aide de la clé d'arbre **4** fournie (Fig. 12). Mettez la clé d'arbre de côté et finissez de desserrer l'écrou de l'arbre à la main. Enlevez l'écrou de l'arbre et la rondelle extérieure **5**. On peut maintenant retirer la lame en la glissant hors de l'arbre et en monter une nouvelle en la glissant sur celui-ci.

3. Montez la rondelle intérieure **7** et la nouvelle lame comme indiqué à la figure 13, en vous assurant que **SES DENTS POINTENT VERS LE BAS À L'AVANT DE LA TABLE**.

Assemblage

REMARQUE : Les lames ne sont pas toujours imprimées du même côté.

4. Remontez la rondelle extérieure **5** et l'écrou de l'arbre **3** comme indiqué à la figure 13. Serrez fermement celui-ci en sens horaire à l'aide de la clé **4** fournie tout en levant le levier de verrouillage de l'arbre **2** (Fig. 12).
5. Remettez l'élément amovible **1** dans le logement de la table de manière à ce que ses ergots **8** pénètrent dans les fentes de l'évidement de la table. Appuyez sur l'élément amovible et fixez-le à sa place.

Montage du guide de refente

- A. Levez la poignée **1** du guide de refente comme indiqué (Fig. 14) de manière à ce que la mâchoire **2** soit sortie suffisamment pour se monter sur la table **3** et dans la rainure en V située au dos du rail arrière.
- B. Placez le guide de refente **4** sur la table **3** en tenant son extrémité avant, enclenchez d'abord la mâchoire arrière **2** dans le rail arrière.
- C. Ensuite abaissez la partie avant sur le rail avant **5**.

Attachement du guide de refente pour matériaux fins

Assurez-vous que les dispositifs de fixation **25a** sont placés dans les deux trous extérieurs. Faites glisser le guide de refente **18** de façon à l'éloigner de la lame. Placez le guide de refente pour les matériaux fins sur la table et tournez les dispositifs de fixation de telle sorte que les têtes soient alignées sur la fente **18a** sur le guide de refente.

Faites glisser le guide de refente pour matériaux fins vers la poignée du guide de refente **18b** et alignez le bord avant du guide de refente pour matériaux fins sur le bord de la table **2**. Serrez les dispositifs de fixation (Fig. 14a).

Placez le guide de refente pour matériaux fins à la distance désirée par rapport à la lame. **REMARQUE :** le guide de refente pour matériaux fins a une largeur de 76 mm / 3 po. Lorsque vous utilisez l'échelle de distance du guide de refente, soustrayez 76 mm / 3 po de la valeur lue sur l'échelle pour obtenir la distance

Fig. 13

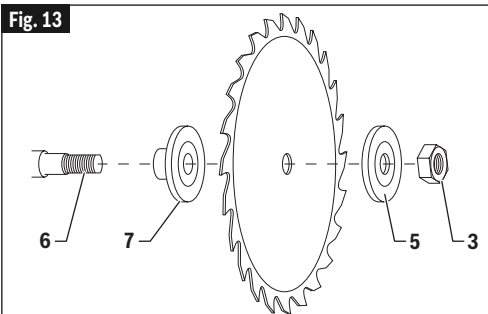


Fig. 14

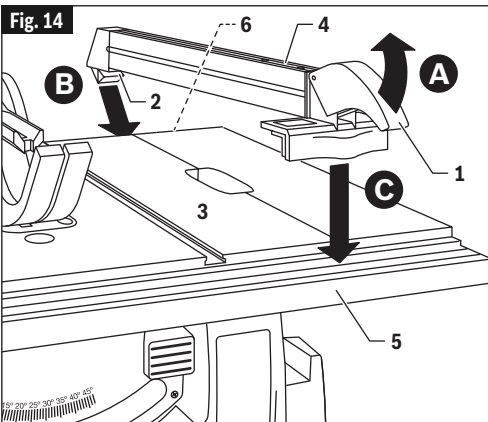
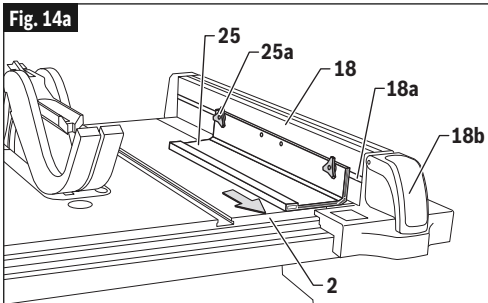


Fig. 14a



désirée. Par exemple, une lecture sur l'échelle de 114 mm / 4-1/2 po positionne le guide de refente pour matériaux fins à 38 mm / 1-1/2 po de la lame.

Pour retirer le guide de refente pour matériaux fins, desserrez les dispositifs de fixation et suivez les étapes de l'installation en sens inverse. Après le retrait, serrez à nouveau les dispositifs de fixation pour ne pas risquer de les perdre. Rangez le guide de refente pour matériaux fins tel que cela est illustré à la page 71.

Rangement, transport et montage

RANGEMENT DU GUIDE D'ONGLET DE LA BAGUETTE POUSSOIR

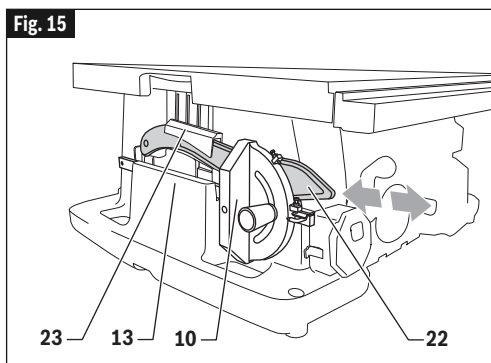
Quand il n'est pas utilisé, rangez le guide d'onglet **10** dans la fente de rangement du guide d'onglet **13** sur le panneau de gauche de la scie (Fig. 15).

Lorsque vous ne vous en servez pas, faites glisser le bâton poussoir **22** dans la fente de stockage prévue pour le bâton poussoir **23**. Assurez-vous de commencer par insérer la poignée du bâton poussoir comme illustré à la Fig. 15.

STOCKAGE DU GUIDE DE REFENTE ET DU GUIDE DE REFENTE POUR MATÉRIAUX FINS

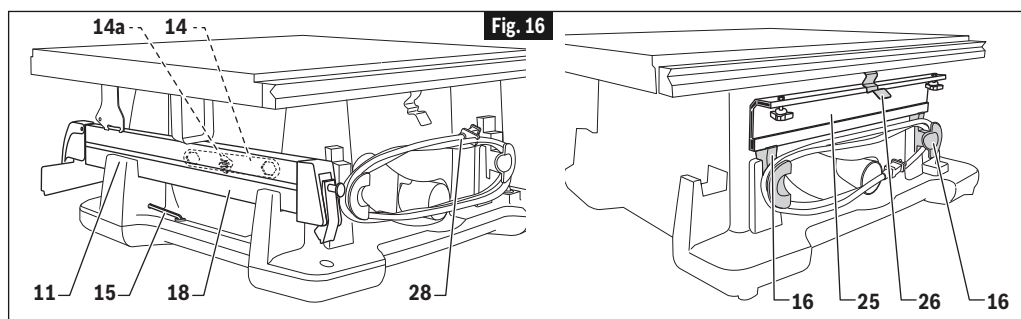
- Quand il n'est pas utilisé, rangez le guide de refente **18** dans l'aire de rangement du guide de refente **11** sur le panneau de droite de la scie (Fig. 16).
- Montez la baguette poussoir **22** sur le porte-baguette poussoir **23**, et faites-la glisser comme cela est illustré pour la verrouiller en place (Fig. 16).
- Rangez la clé à lame **14** dans la zone prévue à cet effet en la sécurisant au moyen d'un écrou à oreilles **14a** (Fig. 16).

Fig. 15



- Enroulez le cordon d'alimentation **28** sur l'aire d'enroulement du cordon **16** (Fig. 16).
- Montez la clé hexagonale de 5 mm **15** à l'endroit prévu pour son rangement du côté droit de la base (Fig. 16).
- Pour ranger le guide de refente pour matériaux fins **25**, soulevez la pince **26** et placez le guide sur les « épaules » du dispositif d'enroulement du cordon d'alimentation rouge **16** comme illustré. Relâchez la pince **26** pour sécuriser le guide de fixation **25**.

Fig. 16



Rangement, transport et montage

RANGEMENT DU SYSTÈME SMART GUARD

⚠ AVERTISSEMENT L'utilisation de tous les composants du système Smart Guard, y compris la barrière de sécurité principale, le dispositif de protection contre les chocs en retour et le couteau diviseur, est vivement recommandée afin de fournir une protection contre les risques d'accidents et de blessures.

Quand ils ne sont pas utilisés, la barrière de sécurité principale et le dispositif de protection contre les chocs en retour peuvent être rangés au-dessous de la rallonge de droite de la table.

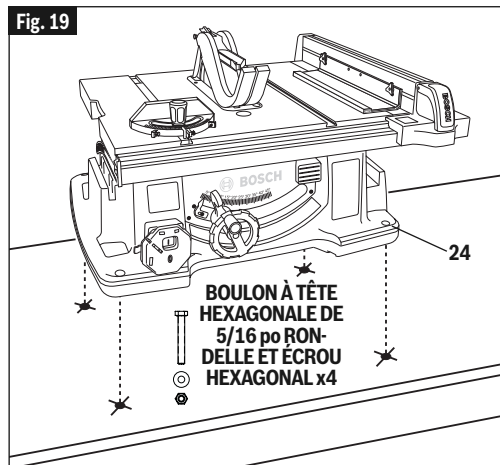
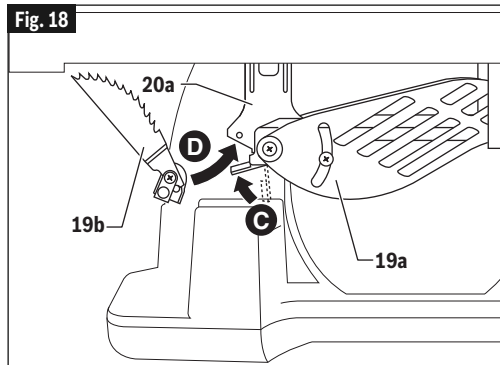
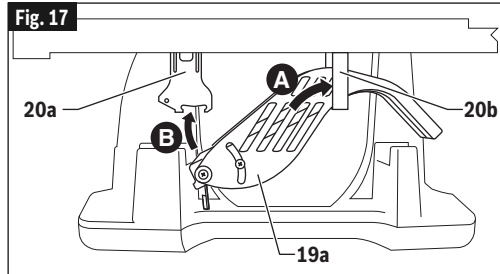
- Faites glisser l'ensemble de barrière de protection principale **19a** (sens dessus dessous) vers le haut et vers l'arrière dans le support à courroie **20b** du côté arrière droit de la scie (Fig. 17).
- Faites pivoter l'arrière de la barrière vers le haut et à l'intérieur du support de montage avant **20a** (Fig. 17).
- Verrouillez l'ensemble de barrière de sécurité principale **19a** en place de la même manière que vous l'attacheriez au couteau principal (Fig. 18).
- Attachez le dispositif de protection contre les chocs en retour **19b** au support de montage avant de la même manière qu'il s'attache au couteau diviseur (Fig. 18).

INSTALLATION DE LA SCIE DE TABLE

Si vous voulez installer la scie de façon permanente, il vous faut la fixer solidement sur une surface robuste, telle qu'un support ou un établi, à l'aide des quatre orifices **24** prévus à cet effet (deux de ces orifices sont visibles sur la fig. 19).

- En cas de montage sur un établi, l'embase doit être boulonnée solidement avec des boulons hexagonaux de 5/16 po (M8) (non inclus) en utilisant les orifices de montage fournis.

Suggestion : si l'établi a une épaisseur de 3/4 po (19mm), les boulons devront avoir une longueur d'au moins 3 1/2 po (90mm) – si l'établi a une épaisseur de 1 1/2 po (38mm), les boulons devront avoir une longueur d'au moins 4 1/2 po (114mm).



- Localisez et marquez les points de montage de la scie par rapport aux orifices dans l'embase de l'outil.
- Percez quatre (4) orifices de 3/8 po (9,5mm) de diamètre à travers l'établi.
- Placez la scie de table sur l'établi en alignant les orifices de l'embase avec les orifices qui ont été percés dans l'établi.

Rangement, transport et montage

- Insérez quatre (4) boulons de 5/16 po de diamètre à travers les orifices dans l'embase et la surface d'appui ; puis assujettissez l'outil en utilisant (4) ron-

nelles plates de 5/16 po et (4) écrous hexagonaux de 5/16 po (petit matériel de fixation non inclus).

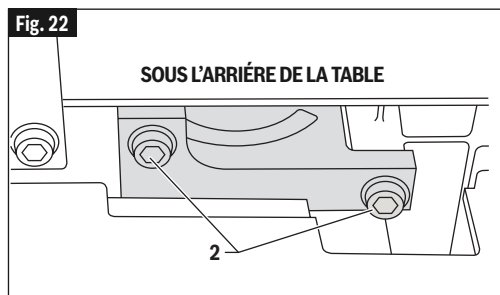
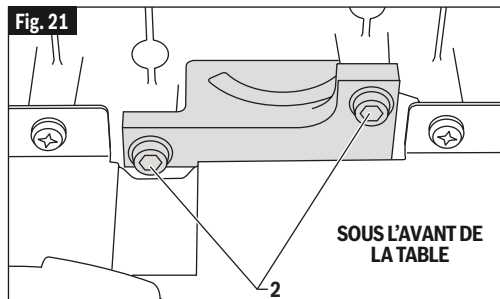
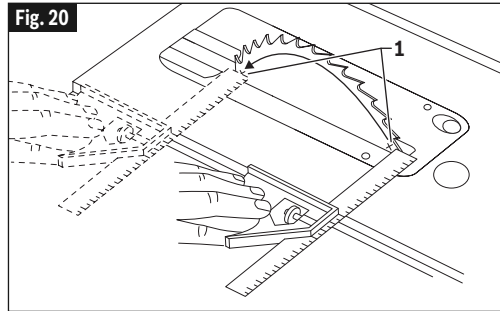
Réglages

Réglage de la lame parallèlement aux fentes du guide d'onglet

⚠ AVERTISSEMENT Pour éviter de subir des blessures, débranchez toujours le cordon d'alimentation avant de procéder à des réglages.

Le parallélisme de la lame a été réglé en usine. Toutefois, dans le but d'assurer la précision de la coupe et de limiter les risques de rebond, il convient de vérifier le parallélisme. S'il s'avère nécessaire de le régler à nouveau, conformez-vous à suivre ci-dessous.

- Tournez le volant de réglage de hauteur **7** (Fig. 1) afin de lever la lame au maximum.
- Choisissez une dent, à l'arrière de la lame, qui est orientée vers la gauche lorsqu'on la regarde de l'avant de la scie et faites-y une marque **1** au crayon (Fig. 19).
- Placez le pied de l'équerre à combinaison contre le bord de la rainure du guide de coupe angulaire et faites glisser la partie mobile de l'équerre de façon à ce qu'elle touche la dent que vous venez de marquer.
- Faites tourner la lame à main et vérifiez la position de cette même dent à l'avant de la table (Fig. 19).
- Si les mesures prises à l'avant et à l'arrière (voir figure 19) ne sont pas identiques, desserrez les 4 boulons d'alignement **2** qui se situent sous la table à l'avant et à l'arrière de la scie. Utilisez la clé hexagonale fournie avec votre scie (Fig. 20 et 21). Déplacez la lame avec précaution jusqu'à ce qu'elle soit parallèle à la rainure du guide de coupe angulaire. Resserrez alors fermement les quatre boulons.



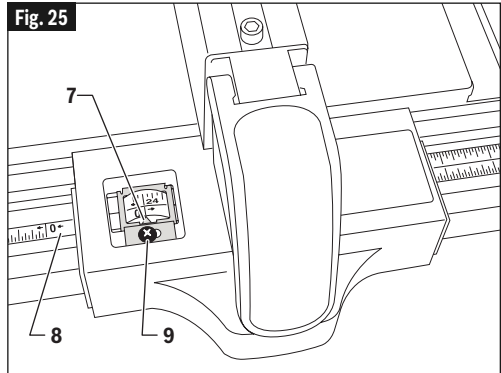
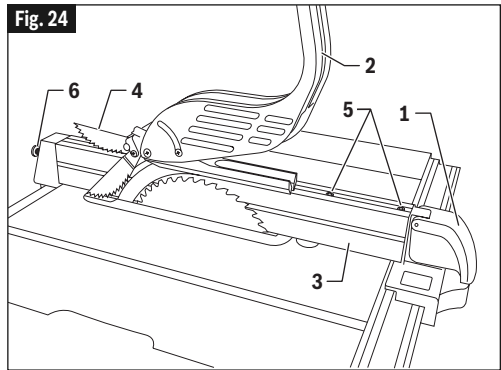
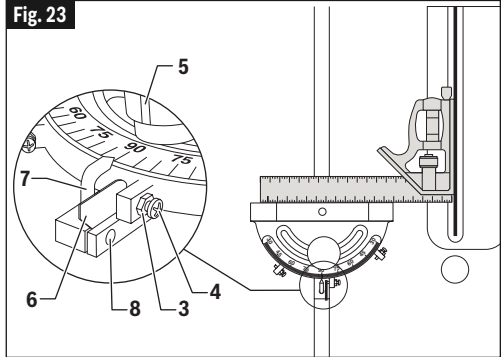
RÉGLAGE DU GUIDE DE COUPE ANGULAIRE

Pour vérifier la précision de votre guide de coupe angulaire, déplacez le guide de coupe angulaire en ligne avec la lame et utilisez une équerre à combinaison pour vous assurer que le corps du guide de coupe angulaire est à 90 degrés par rapport à la lame (Fig. 23).

Réglages

Pour régler le guide de coupe angulaire à 90 degrés :

1. Desserrez le contre-écrou **3**, l'écrou de réglage **4** et le bouton de verrouillage **5**.
2. Faites basculer la plaque **6** vers le bas.
3. Tournez le corps du guide de coupe angulaire jusqu'à ce qu'il soit à 90 degrés par rapport à la lame.
4. Serrez le bouton de verrouillage **5**.
5. Faites basculer la plaque **6** vers le haut et serrez la vis de réglage **4** jusqu'à ce qu'elle entre en contact avec la plaque de butée **6**.
6. Serrez le contre-écrou **3**.
7. Si l'indicateur **7** ne montre pas une lecture de 90 degrés, desserrez la vis de serrage **8** sur le côté de la barre du guide de coupe angulaire et tournez l'indicateur **7** jusqu'à la marque 90 degrés. Serrez la vis de serrage **8**.
8. Pour régler le guide de coupe angulaire sur 45 degrés à gauche et à droite, recommencez les étapes 1-6, mais utilisez des butées à 45 degrés.



Réglages du guide de refente

ALIGNEMENT DU GUIDE DE REFENTE

⚠ AVERTISSEMENT Pour éviter de subir des blessures, débranchez toujours le cordon d'alimentation avant de procéder à des réglages. Le guide de refente doit être parallèle à la LAME afin de prévenir les REBONDS lors des opérations de coupe en long.

⚠ AVERTISSEMENT Pour éviter toute blessure corporelle, assurez-vous toujours que le guide de refente est verrouillé avant de refendre une pièce.

Votre scie est équipée d'un guide de refente à auto-alignement de réglage rapide. Une fois les réglages ci-dessous sont effectués, le guide d'alignera automatiquement au moment de son verrouillage en position.

Remarque : La lame doit être parallèle aux rainures du guide de coupe angulaire (se référer à la section « Réglage de la lame parallèlement aux fentes du guide d'onglet », page 73) et perpendiculaire à la table avant de tenter d'aligner le guide de refente.

1. Soulevez les deux barrières de protec-

tion **2** pour les mettre dans leur position haute verrouillée.

2. Soulevez la poignée de verrouillage **1** et le guide de refente à glissière **3** jusqu'à ce qu'il soit placé le long de la lame de la scie, en soulevant le cliquet du côté droit **4** au-dessus du guide de refente (Fig. 24).

Le guide de refente doit être en contact avec

Réglages

les dents de la lame à l'avant et à l'arrière de la lame. Si le guide de refente n'est pas en contact avec les dents à l'avant et à l'arrière de la lame, suivez la procédure décrite ci-dessous :

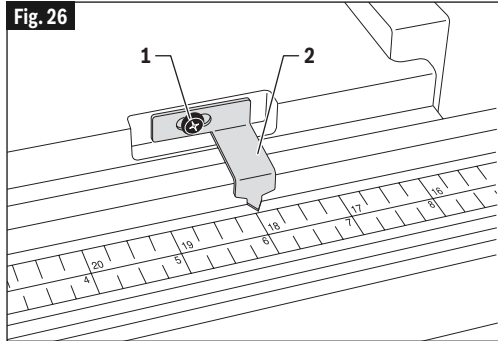
3. Desserrez les deux vis **5** situées dans la partie supérieure avant du guide de refente au moyen de la clé hexagonale de 5 mm incluse.
4. Déplacez le guide de refente **3** jusqu'à ce qu'il touche les dents et qu'il soit parallèle à la lame.
5. Tenez le guide de refente en place et abaissez la poignée de verrouillage. Vérifiez que le guide de refente n'a pas bougé, puis resserrez les vis (Fig. 24).
6. Bloquez le guide de refente pour vérifier qu'il est bien tenu à l'avant comme à l'arrière. Si il n'est pas correctement tenu à l'arrière, débloquez le guide de refente et tournez la vis de réglage du blocage arrière **6** en sens horaire pour augmenter la force de serrage. Essayez à nouveau de bloquer le guide de refente pour vérifier qu'il s'auto-aligne et qu'il est bien tenu à l'avant comme à l'arrière. Si la vis de réglage du blocage arrière **6** est trop serrée, le guide ne pourra pas s'auto-aligner (Fig. 24). Un serrage excessif pourra causer des frottements ou des frictions lors de tout mouvement latéral du guide de refente.

RÉGLAGE DE L'INDICATEUR DU GUIDE DE REFENTE

La distance entre le corps du guide de refente et la lame lors d'une coupe de refente du côté droit de la lame est déterminée en alignant l'indicateur **7** avec la dimension désirée sur l'échelle **8** (Fig. 25).

POUR RÉGLER L'INDICATEUR DU GUIDE DE REFENTE :

1. Soulevez les deux barrières de protection **2** pour les mettre dans leur position haute verrouillée (Fig. 24).
2. Soulevez la poignée de verrouillage **1** et faites glisser le guide de refente **3** jusqu'à ce qu'il soit placé le long de la lame de la scie, en soulevant le cliquet latéral droit **4** au-dessus du guide de refente (Fig. 24).
3. Desserrez la vis de réglage de l'indica-



teur **9**, réglez l'indicateur **7** sur le repère « 0 » de l'échelle inférieure **8**, puis resserrez la vis **9** (Fig. 25).

Réglage de l'indicateur de la table

S'il est nécessaire de régler l'indicateur de la table, desserrez la vis de réglage de l'indicateur **1**, réglez l'indicateur **2** et resserrez la vis (Fig. 26).

L'indicateur de la table doit toujours être réglé par rapport à celui du guide de refente.

1. Réglez l'indicateur du guide de refente **7** sur zéro. Voir « Réglage de l'indicateur du guide de refente » (fig. 25)
2. Faites coulisser le guide de refente jusqu'à ce qu'il touche la plaque de butée située sur le rail avant et verrouillez-le à sa place.
3. Lisez la distance indiquée par l'indicateur du guide de refente sur l'échelle inférieure (environ 14,5 po).
4. Réglez l'indicateur de la table **2** pour obtenir une lecture identique sur l'échelle supérieure. Les deux indicateurs doivent produire la même lecture quand le guide de refente est dans cette position.

Exemple : si l'indicateur du guide de refente montre 13-9/16 po, l'indicateur de la table devra lui aussi être réglé sur 13-9/16 po.

Alignement du Couteau Diviseur

⚠ AVERTISSEMENT Pour éviter tout risque de blessure, débranchez toujours l'outil de sa source d'alimentation électrique avant de

Réglages

faire de quelques réglages et lorsque vous attachez ou détachez le système Smart Guard.

IMPORTANT : le couteau diviseur **1** doit toujours être aligné avec la lame de scie **2**. Le couteau diviseur **1** est plus mince que la largeur du trait de scie **4** d'environ deux épaisseurs de feuilles de papier reprographique standard de 20 lb (75 gsm) **5** de chaque côté (Fig. 27). **Remarque :** la largeur de coupe correspond à la voie ouverte dans l'ouvrage par les dents de la lame de la scie.

VÉRIFICATION DE L'ALIGNEMENT DU COUTEAU DIVISEUR

REMARQUE : le couteau diviseur a été aligné correctement à l'usine – vérifiez l'alignement avant de procéder à un quelconque réglage.

1. Tournez la roulette de réglage de la hauteur **7** (Fig. 1) dans le sens des aiguilles d'une montre pour élever la lame de la scie à la hauteur maximum et réglez l'angle de biseau sur 0°.
2. Retirez l'ensemble de barrière de protection et le dispositif de protection contre les chocs en retour.
3. Placez le guide de refente **3** du côté droit et faites-le glisser jusqu'à ce qu'il entre en contact avec les pointes de la lame de scie **2** – verrouillez le guide de refente.
4. Vérifiez l'alignement :
 - A. Depuis le dessus, regardez au-dessus du guide de refente et assurez-vous que le couteau diviseur est aligné (de l'avant vers l'arrière) avec la lame et est parallèle au guide de refente.
 - B. Faites glisser le guide de refente pour l'éloigner de la lame. Regardez au-dessus du devant de la lame et assurez-vous que le couteau diviseur est aligné avec la lame.
 - C. Si l'étape A ou B révèle un alignement incorrect, effectuez un « Réglage du couteau diviseur ».

RÉGLAGE DU COUTEAU DIVISEUR

1. Élevez la lame de la scie **2** à la hauteur maximum et réglez l'angle de biseau à 0°.
2. Retirez l'ensemble de barrière de protection et le dispositif de protection contre les chocs en retour.

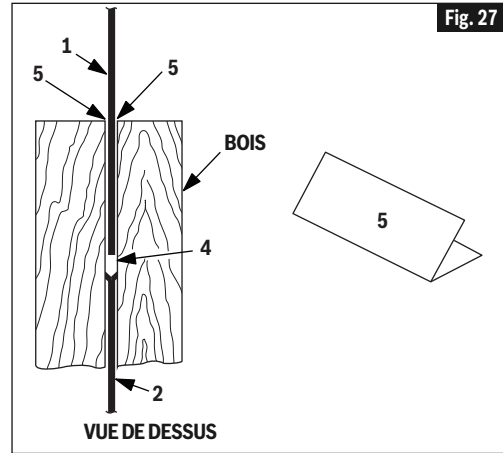


Fig. 27

3. Retirez la pièce rapportée de la table.
4. Placez le guide de refente **3** du côté droit et faites-le glisser jusqu'à ce qu'il entre en contact avec les pointes de la lame de scie **2** – verrouillez le guide de refente (Fig. 28).
5. Desserrez l'écrou hexagonal **6** avec une clé à fourche de 10 mm (Fig. 28). Desserrez légèrement les vis de serrage **8** (entre un quart de tour et un demi-tour) en utilisant une clé hexagonale de 5 mm fournie avec la scie à table (rangée du côté droit de la base). Desserrez la vis de pression **7** avec un tournevis à lame plate.
6. Pliez un petit (15 cm x 15 cm) morceau de papier reprographique standard de 20 lb (75 gsm) en formant deux couches (Fig. 27). Le papier **5** est utilisé comme « jauge d'espacement ».

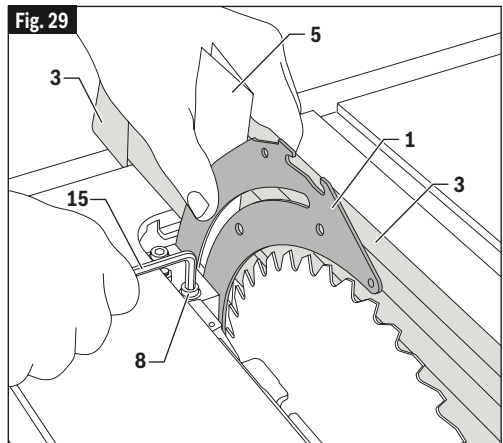
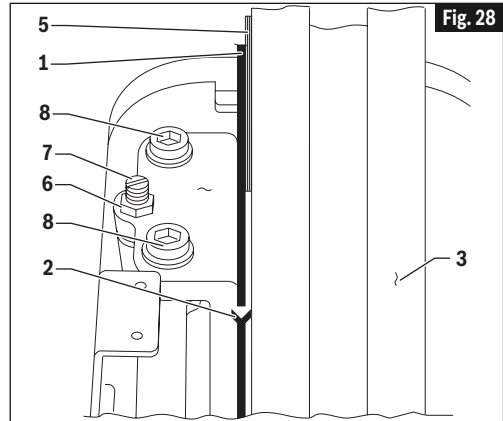
REMARQUE : Les instructions d'espacement ci-dessus sont basées sur l'utilisation d'une lame à trait de scie standard (trait de scie de 0,128 po [3.25mm] sur la lame Bosch fournie). Si une lame à trait de scie inférieur est utilisée, ajustez la jauge d'espacement en papier. Par exemple, si la voie de la lame de remplacement est de près de 0,100 po (2.54mm), utilisez une épaisseur de papier comme jauge d'épaisseur; si la voie de la lame est de près de 0,110 po (2.8mm), utilisez deux épaisseurs.

7. Insérez le papier plié **5** entre le couteau diviseur **1** et le guide de refente **3**.

Réglages

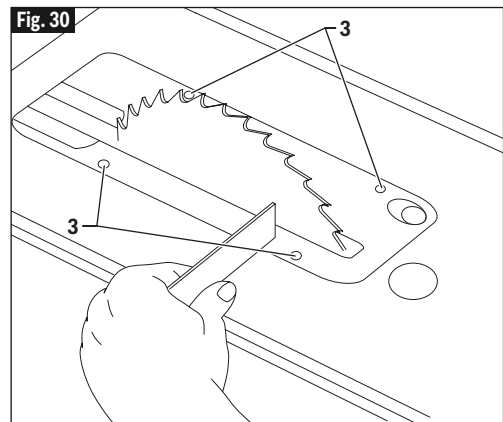
- A. Maintenez le couteau diviseur et le papier fermement appuyés contre le guide de refente (Fig. 28 et 29).
 - B. Serrez légèrement les vis de serrage **8**.
 - C. Retirez le papier – faites glisser le guide de refente pour l'éloigner de la lame.
 - D. Tournez lentement la vis de pression **7** tout en observant le couteau diviseur pendant qu'il s'incline jusqu'à ce qu'il soit aligné avec la lame.
 - E. Vérifiez à nouveau que le couteau diviseur est d'équerre par rapport à la table en faisant glisser le guide de refente contre la lame. Changez le réglage si besoin est.
8. Après avoir réalisé tous les réglages :
 - A. Serrez légèrement l'écrou hexagonal **6** (maintenez la vis de pression en place avec un tournevis pendant que vous serrez l'écrou).
 - B. Serrez au maximum les vis de serrage **8** avec une clé hexagonale **15**. Puis serrez au maximum l'écrou hexagonal.

REMARQUE : assurez-vous que le couteau diviseur est toujours aligné avec la lame lorsque la lame est inclinée à un angle quelconque. Remettez en place l'ensemble de barrière de protection et le dispositif de protection contre les chocs en retour avant de commencer à couper.



Réglage de l'élément rapporté de la table

L'élément rapporté de la table comprend quatre (4) vis de réglage **3** servant à ajuster la hauteur (Fig. 30). Placez l'élément rapporté sur la table. Placez une règle (telle que la règle en métal d'une équerre à combinaison) à travers le dessus de la table et insérez le haut – les surfaces doivent être au même niveau. Si un réglage est nécessaire, utilisez un petit tournevis pour vis à fentes pour faire tourner chaque vis de serrage.



Réglages

Réglage des butées positives à 0 et 45 degrés

⚠ AVERTISSEMENT Pour éviter les blessures, débranchez toujours le cordon d'alimentation avant de procéder à des réglages.

Votre scie est dotée de butées fixes permettant de positionner la lame à 90° et à 45° de la table avec rapidité et précision.

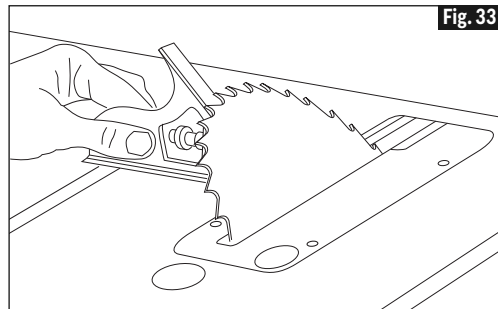
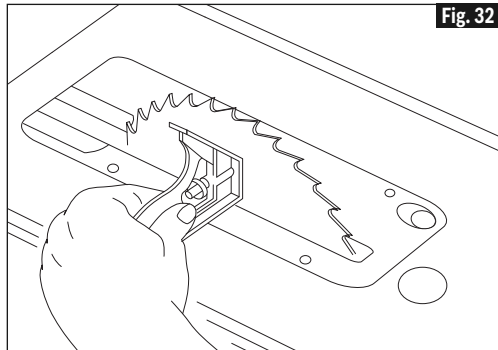
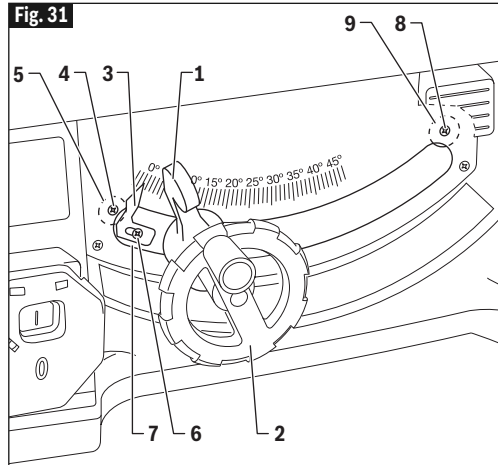
1. Tournant le volant de réglage de la hauteur **2** dans le sens des aiguilles d'une montre et élevez la lame à la hauteur maximum (Fig. 31).

RÉGLAGE DE LA BUTÉE FIXE À 0 DEGRÉ :

2. Desserrez la poignée de verrouillage de l'inclinaison de la lame **1** et poussez le volant de réglage de la hauteur **2** aussi loin que possible vers la gauche, puis serrez la poignée de verrouillage de l'inclinaison de la lame **1** (Fig. 31).
3. Placez une équerre à combinaison sur la table avec un bout de l'équerre contre la lame comme illustré (Fig. 32) et vérifiez si la lame est à 90° par rapport à la table. Si la lame n'est pas à 90 degrés par rapport à la table, desserrez la poignée de verrouillage de l'inclinaison de la lame **1**, desserrez la vis de réglage à 90 degrés **4**, desserrez la came de butée de biseau à 90 degrés **5** et poussez le volant de réglage de la hauteur jusqu'à ce que la lame soit à 90 degrés par rapport à la table.
4. Serrez la poignée de verrouillage de l'inclinaison de la lame **1**, tournez la came de butée de biseau **5** jusqu'à ce qu'elle entre en contact avec le logement de la butée de biseau **7**, puis serrez la vis de réglage à 90 degrés **4**.
5. Desserrez la vis de réglage **6** et ajustez l'indicateur **3** pour produire une lecture de 0 degré sur l'échelle graduée des biseaux.

RÉGLAGE DE LA BUTÉE FIXE À 45 DEGRÉS :

6. Desserrez la poignée de verrouillage de l'inclinaison de la lame **1** et poussez le volant de réglage de la hauteur **2** aussi



loin que possible vers la droite, puis serrez la poignée de verrouillage de l'inclinaison de la lame **1**.

7. Placez une équerre à combinaison sur la table avec un bout de l'équerre contre la lame comme illustré (Fig. 33) et vérifiez si la lame est à 45° par rapport à la table. Si la lame n'est pas à 45 degrés

Réglages

par rapport à la table, desserrez la poignée de verrouillage de l'inclinaison de la lame **1**, desserrez la vis de réglage à 45 degrés **8**, desserrez la came de butée de biseau à 45 degrés **9** et poussez le volant de réglage de la hauteur jusqu'à ce que la lame soit à 45 degrés par rapport à la table.

- Serrez la poignée de verrouillage de l'inclinaison de la lame **1**, tournez la came de butée de biseau à 45 degrés **9** jusqu'à ce qu'elle entre en contact avec le logement de la butée de biseau **7**, puis serrez la vis de réglage à 45 degrés **8**.

Fonctionnement basique de la scie à table

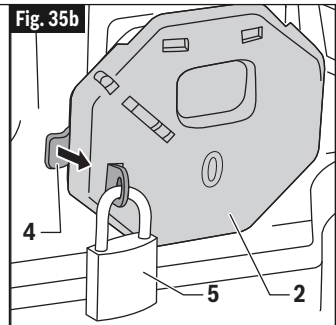
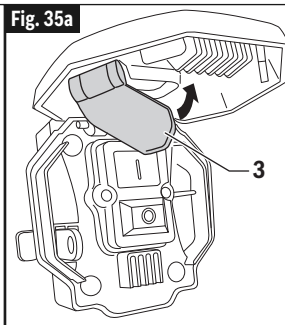
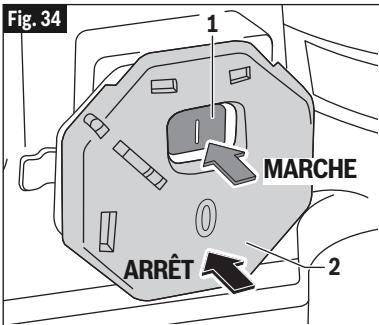
Interrupteur

Pour mettre la scie en marche : appuyez sur le bouton vert de mise sous tension (I) **1** (Fig. 34).

Pour arrêter la scie : appuyez sur la palette d'arrêt rouge (O) **2** (Fig. 34).

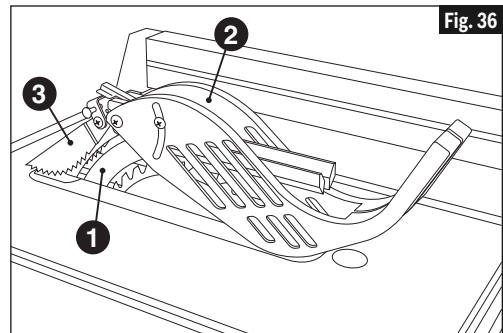
Pour empêcher toute utilisation non autorisée, verrouillez l'interrupteur de la façon suivante :

- Soulevez la palette d'arrêt primaire **2** (Fig. 35a).
- Faites basculer le rabat de verrouillage en position désactivée **3** et (Fig. 35a).
- Fermez la palette d'arrêt **2**, tirez sur le fermoir **4** et sécurisez l'interrupteur avec un cadenas **5** (Fig. 35b). Le cadenas (non fourni avec la scie à table) doit avoir une manille de diamètre de 4,5 ou 6 mm / 3/16 po ou 1/4 po.



Utilisation du système Smart Guard

Le système Smart Guard de Bosch a été conçu de façon modulaire, afin de permettre l'utilisation de multiples combinaisons des principaux composants du système – **1** couteau diviseur / séparateur, **2** barrière de protection principale, et **3** taquets anti-rebond (Fig. 36). Par ailleurs, le couteau diviseur peut être ajusté rapidement dans trois positions en fonction des besoins de l'application : coupe de bout en bout (haut), coupe partielle (intermédiaire) et coupe de rainures (bas). Les trois principaux composants du système de protection de la lame Smart Guard sont conçus pour pouvoir être montés,



ajustés et/ou démontés rapidement, sans nécessiter l'emploi d'outils additionnels. Tous

Fonctionnement basique de la scie à table

les composants du système Smart Guard qui doivent être retirés pour effectuer une coupe doivent être réinstallés immédiatement après la fin d'une telle coupe. Voir pages 66 – 67 pour des instructions d'installation détaillées. Rappelez-vous toujours que la meilleure façon d'éviter les accidents est de faire preuve de bon sens et de rester vigilant à tout moment lors de l'utilisation de la scie de table.

COUTEAU DIVISEUR / SÉPARATEUR

Le couteau diviseur (séparateur) est l'élément central du système de protection de la lame Smart Guard de Bosch. Il sert de point de fixation à la fois pour la barrière de protection principale et pour les taquets anti-rebond. Si la barrière de protection principale et les taquets anti-rebond sont retirés, le couteau séparateur maintient sa fonctionnalité en temps que séparateur de matériau et il peut être ajusté rapidement dans trois positions (coupe de bout en bout **A**, coupe partielle **B** et coupe de rainures **C**) en fonction des besoins de l'application (Fig. 37). En raison de cette souplesse, le couteau diviseur peut être positionné de façon appropriée pour toutes les applications de coupe.

Le couteau diviseur (séparateur) peut facilement être ajusté à l'une des trois hauteurs en retirant l'élément amovible de la table, en soulevant la lame à sa hauteur maximum et en relâchant le levier de relâchement du couteau diviseur à la base du couteau diviseur. Le couteau diviseur doit être verrouillé dans sa position la plus élevée (coupe de bout en bout) pour pouvoir être utilisé conjointement avec la barrière de protection principale et les taquets anti-rebond. Il peut être réglé sur sa position intermédiaire pour les coupes partielles et pour emploi afin de fendre des matériaux en l'absence de la barrière de protection principale et des taquets anti-rebond. Au cas où le couteau diviseur ne pourrait pas être utilisé pour une coupe par-

ticulière ou conjointement avec une lame pour rainures, il pourra être réglé sur sa position la plus basse, c. à d. qu'il serait placé à 2,5 cm (1 po) au-dessus de la surface de la table (lorsque la lame est dans sa position la plus élevée).

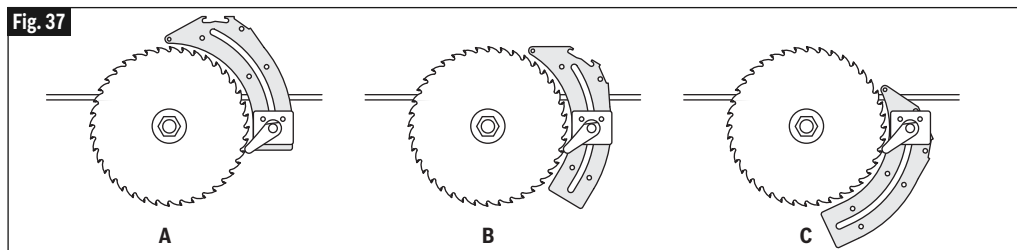
BARRIÈRE DE PROTECTION PRINCIPALE

La barrière de protection principale consiste en une paire de barrières en plastique attachées à la barrière de protection supérieure en métal. Les barrières latérales (une à gauche et une à droite de la lame) fonctionnent indépendamment l'une de l'autre, ce qui permet d'assurer une couverture maximum de la lame pendant les opérations de coupe. La barrière principale incorpore un point de fixation à connexion rapide et peut être attachée ou retirée du système de protection de la lame indépendamment des taquets anti-rebond et du couteau diviseur / séparateur.

Le composant consistant en la barrière de protection principale peut être monté et démonté rapidement en utilisant simplement un levier à relâchement rapide. La barrière de protection est attachée en installant la barre transversale sur le haut du couteau diviseur / séparateur et en engageant le levier de verrouillage. En suivant le même processus, mais inversé, on peut retirer facilement la barrière pour des opérations spéciales telles que des coupes de rainures ou de feuillures.

Remarque : Pour assujettir le mieux possible la barrière de protection principale pendant les transports, mettez la lame dans sa position la plus basse. Ceci maintient la barrière de protection serrée contre la surface de la table et empêche tout risque de dommage pouvant être causé par le jeu de la barrière pendant le transport. En cas de transport sur une grande distance sur le chantier ou en dehors de celui-ci, placez la barrière de protection dans sa position de rangement au-dessous de la table (Voir Figure 17, page 72).

Fig. 37



Fonctionnement basique de la scie à table

TAQUETS ANTI-REBOND

En cas de rebond, les taquets anti-rebond ont pour fonction d'empêcher la projection de la planche dans la direction de l'utilisateur. Les dents acérées des taquets sont conçues pour « attraper » le matériau en cas de rebond.

Les taquets anti-rebond peuvent facilement

être attachés en alignant la cheville de fixation sur le trou à l'arrière du couteau diviseur / séparateur. Ils peuvent être déplacés facilement en appuyant sur les languettes de compression d'un côté ou de l'autre du dispositif de protection contre les rebonds et en les soulevant.

Fabrication d'accessoires pour le sciage

Avant de commencer à vous servir de votre scie, commencez par lire attentivement l'ensemble du chapitre « Fonctionnement basique de la scie à table ».

Vous remarquerez que pour exécuter certains types de coupe, il est nécessaire d'avoir recours à certains accessoires de sciage tels que la baguette-poussoir, le plateau-poussoir et le guide de coupe auxiliaire, que vous pouvez fabriquer vous-même.

Après avoir effectué quelques coupes d'essai, fabriquez ces accessoires avant de vous lancer dans votre première réalisation. Fabriquez la baguette-poussoir en premier.

FABRICATION D'UNE BAGUETTE POUSSOIR ET D'UN PLATEAU POUSSOIR

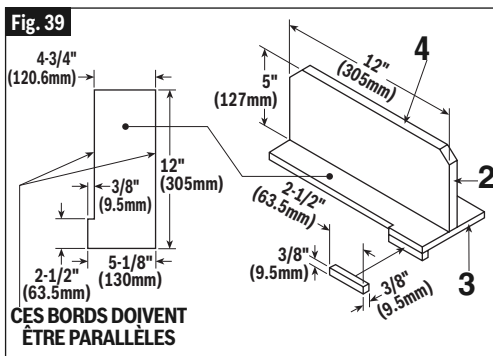
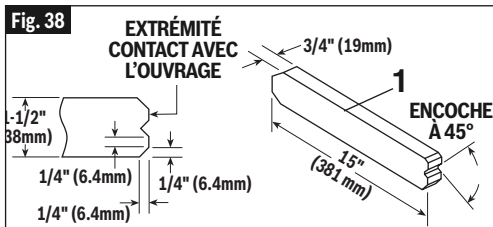
Fabriquez la baguette-poussoir **1** à l'aide d'un tasseau de 1 po x 2 po (19x38mm), comme illustré (Fig. 38). Pour apprendre à utiliser correctement une baguette-poussoir, référez-vous aux instructions de la page 84.

Fabriquez le plateau-poussoir **2** à partir de deux morceaux de contreplaqué de 3/8 po (8,7mm) **3** et de contreplaqué de 3/4 po (19mm) **4** (Fig. 39). La plaque-poussoir ne doit être utilisée qu'en combinaison avec le guide auxiliaire. Pour apprendre à utiliser correctement un plateau-poussoir, voir page 84.

Le petit morceau de bois, de 3/8 po x 3/8 po x 2 1/2 po (9,5 x 9,5 x 63,5mm), doit être COLLÉ au contreplaqué... NE LE CLOUEZ PAS car vous risqueriez d'émousser la lame de la scie au cas où en coupant vous entreriez accidentellement en contact avec le plateau-poussoir.

Positionnez la poignée au centre du contreplaqué et assujettissez-la en utilisant de la colle des vis à bois.

Utilisez une baguette-poussoir chaque fois que le guide de refente est à deux pouces (50mm) ou plus de la lame. Utilisez un plateau-poussoir lorsque vous n'avez pas



assez de place pour utiliser un plateau-poussoir. Pour apprendre à l'utiliser correctement, voir page 84.

Utilisez soit une baguette-poussoir, soit un plateau-poussoir à la place de la main de l'utilisateur afin de guider le matériau seulement entre le guide de refente et la lame.

Lorsque vous utilisez une baguette-poussoir ou un plateau-poussoir, l'extrémité arrière de la planche doit être carrée. Une baguette-poussoir ou un plateau-poussoir contre un bord de fuite inégal risquerait de glisser ou de pousser l'ouvrage à distance du guide de refente.

FABRICATION D'UN GUIDE AUXILIAIRE

Fabriquez cet accessoire à l'aide d'une plaque de contre-plaqué **3** de 3/8 po (8,7mm) et d'une baguette de bois dur **4** de 3/4 po (19mm). Assemblez-les avec de la colle et des vis à bois (Fig. 40).

REMARQUE : Étant donné que le plateau-

Fonctionnement basique de la scie à table

poussoir **2** et le guide de coupe auxiliaire **5** seront utilisés conjointement, les cotes de 4 po 3/4 (120,6mm) doivent être rigoureusement identiques sur les deux pièces.

FABRICATION D'UNE PLANCHE À LANGUETTES

La figure 41 présente les cotes nécessaires à la fabrication d'une planche à languettes type. Utilisez une planchette plane ne comportant ni noeuds, ni fentes.

Le trait de scie **5** doit être d'environ 1/4 po (6,35mm) largeur (Fig. 41).

FABRICATION DU BLOC D'APPOINT

Le bloc d'appoint doit être fabriqué à partir d'un bois de 1 1/2 po (38mm) d'épaisseur – la Figure 42 montre les dimensions pour la fabrication d'un bloc d'appoint.

Pièces requises :

- Planche de bois de 1 1/2 po d'épaisseur coupée à la taille désirée (1)
- Vis mécaniques à tête hexagonale de 1/4 x 20 x 1 1/2 po de long (2)
- Rondelles de 1/4 po (2)
- Écrous mécaniques de 1/4 x 20 (2)

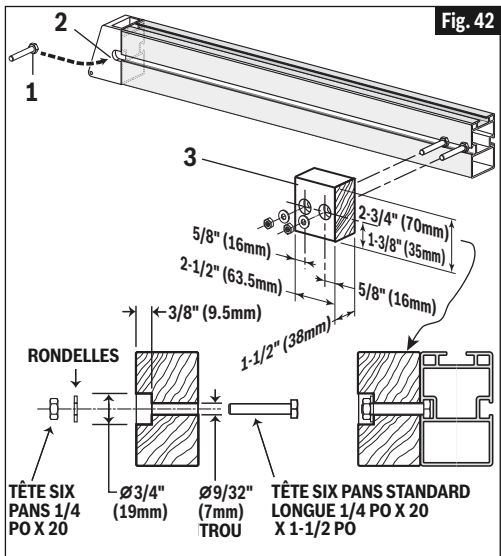
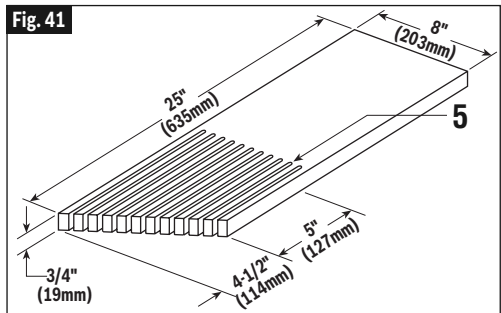
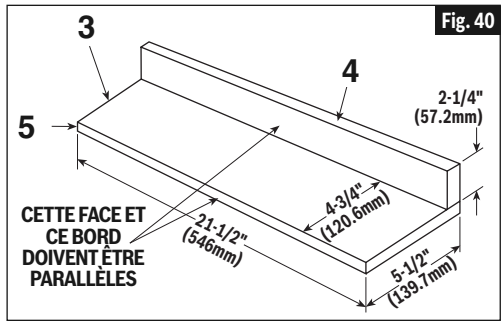
Le bloc d'appoint est fabriqué à la même hauteur (2 3/4 po [70mm]) que le guide de refente et peut être utilisé avec le système de protège-lame en place quand les pièces coupées ont une épaisseur de 1 1/2 po (38mm) ou plus. Coupez la planche à la taille montrée, percez des trous de 9/32 po (7mm), puis fraisez chaque trou (jusqu'à 3/8 po [9,5mm]) avec un embout foret de 3/4 po (19mm).

Assemblage :

- A. Placez la tête hexagonale **1** de chaque vis mécanique dans l'encastrement **2** dans le logement du guide arrière – puis faites glisser chaque vis vers l'avant, jusqu'aux endroits illustrés.
- B. Placez le bloc d'appoint **3** au-dessus des vis.
- C. Placez les rondelles au-dessus des filets de vis.
- D. Enfilez et serrez les écrous autour des vis.

FABRICATION D'UN SUPPORT AUXILIAIRE POUR LE GUIDE DE REFENTE

Lorsque vous utilisez des accessoires tels que des fers pour des rainures ou des mouleurs, il



faut également utiliser une planche d'appoint. Ceci contribuera à éviter d'endommager le guide de refente en aluminium. La planche d'appoint doit consister en un morceau de bois de 3/4 po d'épaisseur – la Figure 43 montre des plans dimensionnels permettant de fabriquer

Fonctionnement basique de la scie à table

une planche d'appoint compatible avec cette scie.

Pièces requises :

- Planche en bois de 3/4 po (19mm) d'épaisseur (bois à l'état naturel ou contre-plaqué) coupée à la taille voulue
- Trois (3) vis mécaniques à tête hexagonale de 1/4 x 20 x 3/4 po de long
- Trois (3) rondelles de 1/4 po
- Trois écrous mécaniques de 1/4 x 20

La planche d'appoint est fabriquée à la même hauteur (2 3/4 po [70mm]) que le guide de refente et peut être utilisée avec le système de protège-lame en place lorsque le guide est déplacé pour entrer en contact avec la lame. Le modèle de planche d'appoint plus haut (4-1/4 po [108mm]) est facultatif, et il peut être utilisé pour cramponner d'autres accessoires. Coupez la planche à la taille illustrée, percez des trous de 9/32 po, (7mm) puis fraisez chaque trou (jusqu'à 3/8 po [9.5mm]) en utilisant un embout foret de 3/4 po (19mm).

Assemblage :

- A. Placez la tête hexagonale **1** de chaque vis mécanique dans l'encastrement **2** dans le logement du guide de refente arrière – puis faites glisser chaque vis vers l'avant jusqu'aux endroits illustrés.
- B. Placez la planche d'appoint **3** au-dessus des vis.
- C. Placez les rondelles au-dessus des filets de vis.
- D. Enfilez et serrez les écrous autour des vis.

FABRICATION D'UN SUPPORT AUXILIAIRE POUR LE GUIDE D'ONGLET

Vous trouverez à la page 155 un gabarit de perçage pour percer des trous dans le guide de coupe angulaire afin d'y attacher un GUIDE AUXILIAIRE **5** permettant de mieux supporter les longues pièces. Choisissez une planche lisse et droite ayant les dimensions voulues, percez-y deux trous et fixez-la à l'aide de deux vis **6** (Fig. 44).

Exemple :

- A. Percez des trous de 1/4 po (6,35mm) dans le guide de coupe angulaire.
- B. Percez des trous de 4 mm / 5/32 po de diamètre à travers la planche de support auxiliaire. Taille recommandée pour une telle planche : 19 mm / 3/4 po d'épaisseur, 76 mm / 3 po de hauteur et

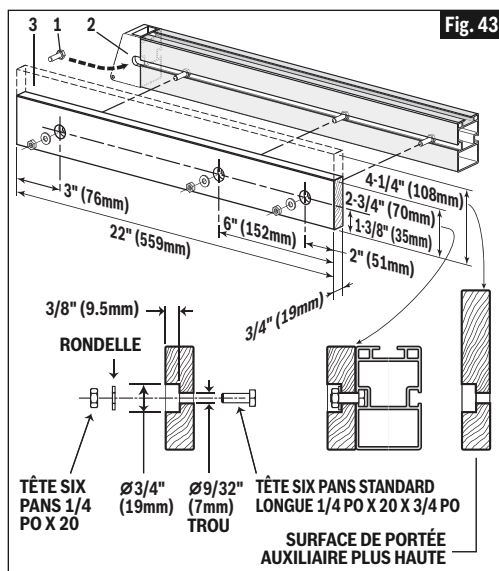
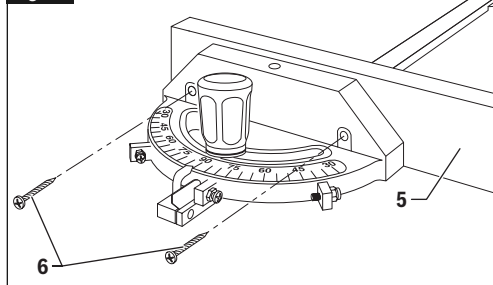


Fig. 44



longueur désirée.

- C. Fixez la planche avec deux vis à bois à tête ronde N° 12x1-1/2 po ou M6x35mm **6**, non incluses (Fig. 44).

Assurez-vous que les vis ne dépassent jamais au-dessus de la surface externe de la planche de guidage auxiliaire.

Assurez-vous que la planche de guidage auxiliaire ne gêne pas le fonctionnement du protège-lame.

REMARQUE : Lorsque vous exécutez des coupes transversales biseautées, fixez le guide auxiliaire de façon à ce qu'il dépasse du côté droit du guide de coupe angulaire et installez ce dernier dans la rainure située à droite de la lame.

Fonctionnement basique de la scie à table

Utilisation du bâton poussoir, du plateau poussoir et du guide auxiliaire

Lorsque vous faites avancer un ouvrage en vue d'une coupe de refente, ne vous servez de vos mains que quand elles peuvent être à au moins 15 cm de la lame (Fig. 45). Une baguette poussoir **22** (Fig. 46) ou un plateau poussoir **PB** (Fig. 49) doit être utilisé à chaque fois que la coupe nécessiterait que vos mains soient placées à moins de 15 cm de la lame.

Appliquez une pression pour faire avancer l'ouvrage sur la section comprise entre la lame de la scie et le guide de refente. Votre autre main ne doit être utilisée que pour guider l'ouvrage quand elle est à au moins 15 cm de la lame.

Lorsque vous utilisez une baguette poussoir ou un plateau poussoir, l'extrémité arrière de la planche doit être carrée. Une baguette poussoir ou un plateau poussoir contre un bord de fuite inégal risquerait de glisser ou de pousser l'ouvrage à distance du guide de refente.

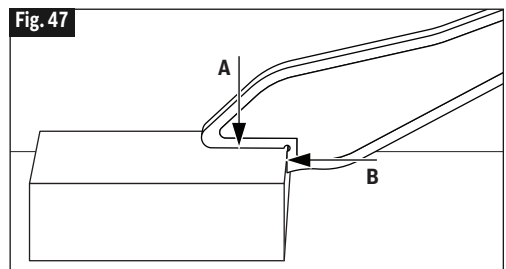
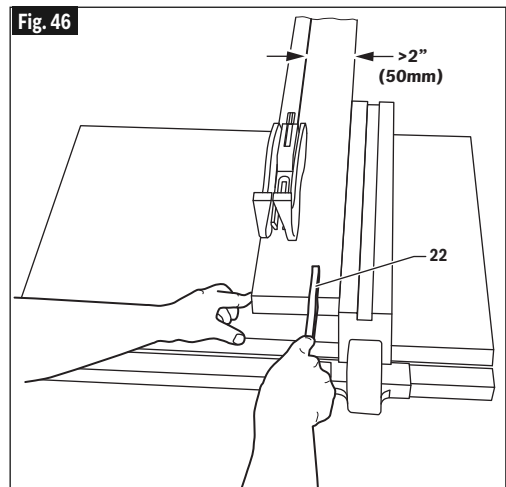
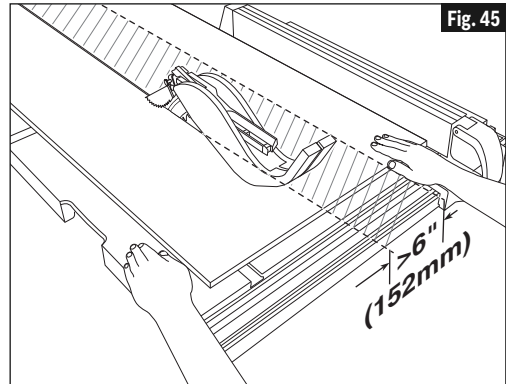
Lors de la coupe d'un ouvrage de 3,2 mm / 1/8 po ou moins, utilisez le guide auxiliaire **AF** (Fig. 48) ou le guide pour matériaux fins **25** (Fig. 1) monté sur le guide de refente.

BAGUETTE POUSSOIR

⚠ AVERTISSEMENT Veillez à ce que la lame de scie en rotation n'entre jamais en contact avec la baguette poussoir. Tout contact entre la lame de scie en rotation et le bâton poussoir pourrait causer une blessure ou des dommages matériels.

N'utilisez la baguette poussoir **22** que quand la largeur de la coupe de refente est supérieure à 5 cm (2 po). Si la largeur de la coupe de refente est inférieure à 5 cm (2 po), il n'est pas possible de se servir de la baguette poussoir à cause du risque d'interférence par le dispositif de protection de la lame (Fig. 46).

Positionnez toujours la baguette poussoir et appliquez une pression pour faire avancer l'ouvrage parallèlement à la lame de scie. Assurez-vous que la baguette poussoir est positionnée de telle sorte que la Surface **A** est à plat contre le haut de l'ouvrage et que la Surface **B** est totalement engagée avec l'extrémité de fuite de l'ouvrage (Fig. 47). Si un



ouvrage a une forme telle que la baguette poussoir ne peut pas être totalement supportée de cette manière, un plateau poussoir ou autre accessoire approprié doit être utilisé pour supporter cet ouvrage.

Fonctionnement basique de la scie à table

PLATEAU POUSSOIR

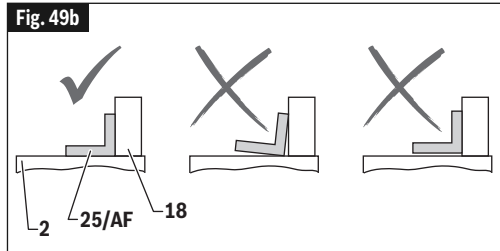
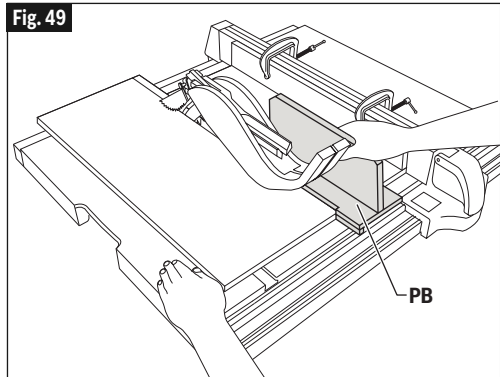
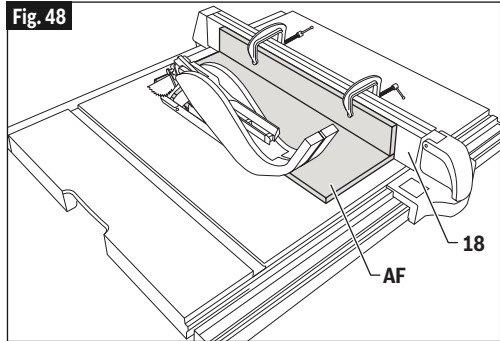
Si la largeur de la coupe de refente est inférieure à 5 cm (2 po), il n'est pas possible de se servir de la baguette poussoir à cause du risque d'interférence du dispositif de protection de la lame.

Attachez le guide de coupe auxiliaire **AF** au guide de refente **18** à l'aide de deux serre-joints en forme de « C » (Fig. 48).

Faites avancer l'ouvrage à la main jusqu'à ce que l'extrémité de duite soit à environ 2,5 cm (1 po) du bord avant de la table. Continuez à faire avancer l'ouvrage à l'aide du plateau poussoir **PB** en haut du guide de coupe auxiliaire jusqu'à ce que la coupe soit achevée (Fig. 49).

GUIDE DE COUPE AUXILIAIRE ET GUIDE DE REFENTE POUR MATÉRIAUX FINS.

Lorsque vous coupez un matériau d'une épaisseur inférieure ou égale à 3,2 mm / 1/8 po, il est important d'empêcher l'ouvrage de se coincer entre la table et le bas du guide de refente. Une utilisation correcte d'un guide auxiliaire peut éliminer des écarts entre la table et le bas du guide de refente. Utilisez le guide auxiliaire **AF** (Fig. 48) ou le guide de coupe pour matériaux fins **25** (Fig. 1) et montez-le sur le guide de refente **18** (Fig. 1) pour qu'il n'y ait pas d'écart entre la surface du bas du guide auxiliaire et la table **2** (Fig. 1). La Figure 49b illustre la position correcte de la table et du guide auxiliaire.



Fonctionnement basique de la scie à table

REPÈRE DE SCIAGE

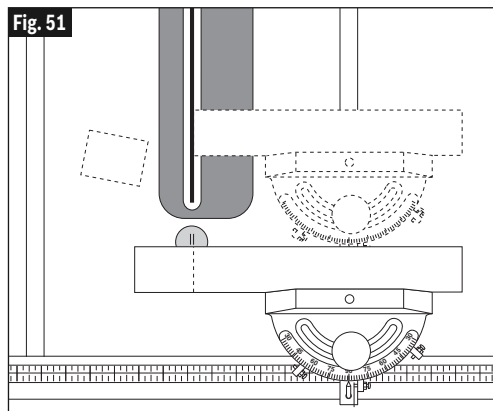
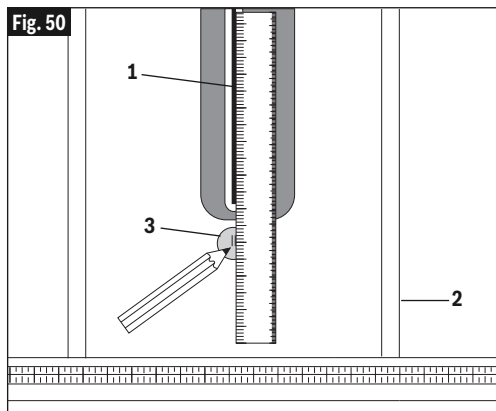
Vous permet de marquer et de localiser exactement l'endroit où la lame entrera en contact avec l'ouvrage.

Assurez-vous toujours que la scie de table est éteinte et débranchée.

Réglez la lame **1** à 90 degrés d'équerre par rapport à la table. En utilisant une règle et un

crayon à mine douce, placez l'équerre **2** contre les deux côtés de la lame et marquez les lignes sur le localisateur **3** (Fig. 50). Ces lignes indiquent la « trajectoire » de la coupe (le trait de la scie) effectuée par la lame.

Lorsque vous coupez l'ouvrage, alignez la marque sur l'ouvrage avec la ligne sur le disque (Fig. 51).

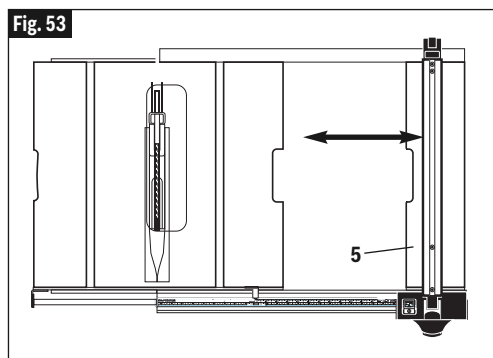
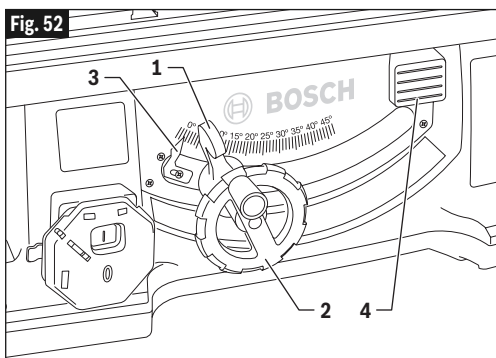


RÉGLAGE DE L'INCLINAISON DE LA LAME

Desserrez la poignée de verrouillage du dispositif d'inclinaison de la lame **1** en sens anti-horaire (Fig. 52), faites coulisser le volant de réglage de hauteur **2** jusqu'à ce que l'indicateur **3** soit sur l'angle désiré et resserrez la poignée de verrouillage de l'inclinaison **1** en sens horaire.

RÉGLAGE DE LA RALLONGE DE TABLE

Pour rallonger la table, soulevez la poignée de verrouillage de la rallonge **4** (Fig. 52) et faites coulisser la rallonge de table **5** pour la mettre à la position désirée (Fig. 53). Abaissez la poignée de verrouillage **4** pour bloquer le réglage.



Fonctionnement basique de la scie à table

Utilisation du guide de refente

AVERTISSEMENT Pour votre sécurité, prenez toujours les précautions suivantes, et conformez-vous en outre aux consignes de sécurité énoncées aux pages 51, 52, 53, 54, 55, 56, 57.

Les COUPES EN LONG, COUPES EN LONG BISEAUTÉES, COUPES DE DÉDOUBLEMENT ET FEUILLURES se font à l'aide du GUIDE DE REFENTE et peuvent également nécessiter l'emploi d'un GUIDE DE COUPE AUXILIAIRE, d'un SUPPORT, d'une BAGUETTE-POUSSOIR ou d'un PLATEAU-POUSSOIR.

1. N'exécutez jamais de telles coupes À MAIN LEVÉE (c'est-à-dire sans vous servir du guide de refente ou d'autres accessoires, le cas échéant) : la lame pourrait se coincer dans l'ouvrage et provoquer un REBOND.
2. Verrouillez toujours bien le guide de refente avant de vous en servir.
3. Retirez le guide de coupe angulaire de la table avant toute opération faisant appel au guide de refente.
4. Veillez à ce que le protège-lame soit en place avant toute opération de coupe de part en part. Remettez le protège-lame en place IMMÉDIATEMENT après avoir achevé toutes coupes de dédoublement, feuillures, rainures ou moulures. Vérifiez fréquemment le mouvement des TAQUETS ANTI-REBOND en faisant passer l'ouvrage le long de l'écarteur pendant que la scie est en position d'arrêt (OFF).
Tirez l'ouvrage VERS vous. Si les TAQUETS ne MORDENT pas dans l'ouvrage et s'il ne le RETIENNENT pas, il faut les REMPLACER. Voir le chapitre « Entretien de votre scie à table », à la page 98.
5. Réglez la lame de façon à ce qu'elle ne dépasse pas de plus d'1/8 po (3,2mm) environ la face supérieure de l'ouvrage. Si la partie exposée de la lame était supérieure à 1/8 po (3,2mm), cela accroîtrait les risques liés à l'utilisation de la scie.
6. Ne vous tenez pas directement en face

de l'axe de coupe de la lame, en raison des risques de REBOND. Tenez-vous d'un côté ou de l'autre de la lame.

7. Gardez les mains à bonne distance de la lame et de son axe de coupe.
8. Si la lame se coince ou s'immobilise lors de la coupe, mettez l'interrupteur en position « ARRÊT » avant d'entreprendre de dégager la lame.
9. Ne tendez jamais le bras par-dessus la lame pour tirer l'ouvrage hors de la lame, soutenez des pièces longues ou lourdes, ou retirez des fragments venant d'être découpés NI POUR AUCUNE AUTRE RAISON.
10. Ne ramassez pas, sur la table, les fragments de matériau venant d'être découpés. Faites-les TOMBER de la table en les poussant à l'aide d'un long bâton. Ils risqueraient sinon d'être projetés dans votre direction par l'arrière de la lame.
11. N'enlevez pas les petites pièces du matériau coupé qui peuvent SE LOGER à l'intérieur du protecteur de lame pendant que la scie est EN MARCHÉ. CECI POURRAIT METTRE VOS MAINS EN DANGER ou causer un REBOND. Mettez l'interrupteur en position « ARRÊT ». Une fois que la lame s'est immobilisée, relevez le protège-lame et dégagez le morceau de bois.
12. Si l'ouvrage est voilé, posez-le sur la scie face CONCAVE vers le BAS. Ainsi, il n'oscillera pas pendant la coupe.
13. Si la LARGEUR DE REFEND est de 6 po (152mm) ou PLUS, servez-vous de votre main DROITE pour faire avancer l'ouvrage et guidez l'ouvrage de la main GAUCHE UNIQUEMENT. NE FAITES PAS AVANCER l'ouvrage de la main gauche (Fig. 45).
Si la LARGEUR DE REFEND se situe entre 2 po et 6 po (50 et 152 mm), faites avancer l'ouvrage À L'AIDE DU PLATEAU-POUSSOIR **22** (Fig. 46).
Si la LARGEUR DE REFEND est INFÉRIEURE à 2 po (50mm), il n'est pas possible de se servir de la baguette-poussoir à cause de la présence du protège-lame. SERVEZ-VOUS DU GUIDE DE COUPE AUXILIAIRE ET DU PLATEAU-POUSSOIR.

Fonctionnement basique de la scie à table

COUPE EN LONG

La COUPE EN LONG est la coupe d'un morceau de bois dans le sens du fil, c'est-à-dire dans le sens de la longueur. Elle s'exécute à l'aide du guide de refente. Positionnez le guide de refente en fonction de la LARGEUR DE REFEND (largeur de la pièce résultant de la coupe en long) désirée et verrouillez-la. Avant de commencer la coupe, assurez-vous que :

- le guide de refente est parallèle à la lame;
- le séparateur est bien aligné avec la lame;
- les taquets anti-rebond fonctionnent correctement.

Lorsque vous découpez de LONGUES PLANCHES ou des PANNEAUX DE GRANDES DIMENSIONS, soutenez-les toujours lorsqu'ils dépassent de la table de coupe (Fig. 45). Le kit de table-support arrière pour la scie de table Bosch (TS1008, TS1016) est un accessoire qui convient de manière idéale à cette application.

COUPE EN LONG BISEAUTÉE

Lorsque vous faites des coupes en long biseautées sur des pièces larges de 6 po (152mm) ou moins, servez-vous du guide de refente placé du côté droit de la lame UNIQUEMENT. Vous disposerez ainsi de plus de place entre le guide de refente et la lame pour vous servir d'une baguette-poussoir. Si le guide de refente était monté à gauche de la lame, le protège-lame pourrait vous em-

pêcher d'utiliser la baguette-poussoir correctement.

Fixez le guide de refente de coupe auxiliaire **AF** au guide de refente à l'aide de deux serre-joints en C (Fig. 48).

Faites avancer l'ouvrage à la main jusqu'à ce que son extrémité arrière soit à environ 1 po (25,4 mm) du bord avant de la table. Continuez à faire avancer l'ouvrage à l'aide du PLATEAU-POUSSOIR **3**, en faisant coulisser ce dernier sur le guide de coupe auxiliaire JUSQU'À CE QUE LA COUPE DOIT ACHEVÉE (Fig. 49).

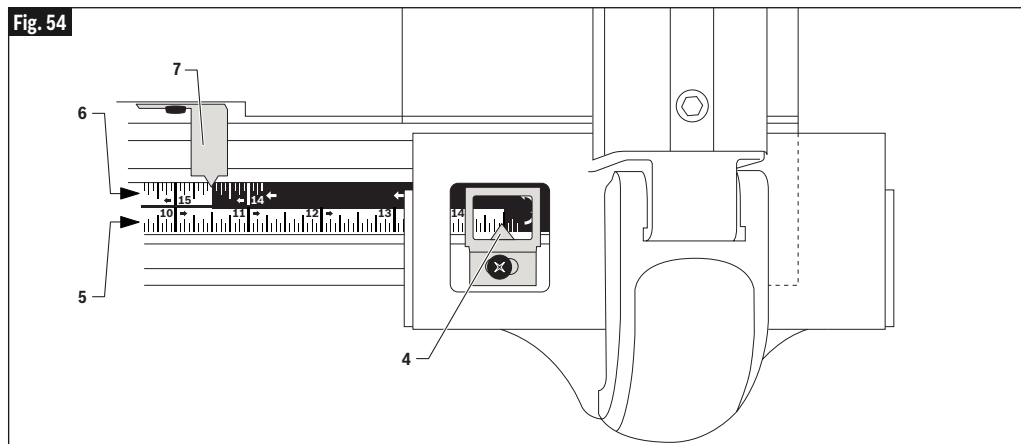
UTILISATION DE L'INDICATEUR DU GUIDE DE REFENTE (SEULEMENT SI LA RALLONGE N'EST PAS SORTIE)

Le guide de refente indique la distance entre la lame et le guide par l'intermédiaire d'un hublot pratique muni d'une loupe.

Mettez l'indicateur du guide de refente **4** en face de la partie inférieure de l'échelle **5**. L'échelle inférieure peut être utilisée jusqu'à 14,5 pouces [368mm] (Fig. 54).

UTILISATION DE L'INDICATEUR DE TABLE (SEULEMENT SI LA RALLONGE DE TABLE EST SORTIE À FOND)

Déplacez le guide de refente sur la marque de 37 cm / 14,5 po, et verrouillez en place. La partie supérieure de l'échelle **6** est utilisée pour refendre entre 14,5 et 30 po. Mettez l'indicateur de la table **7** en face de la partie supérieure de l'échelle **6** (Fig. 54).



Fonctionnement basique de la scie à table

Utilisation du guide de coupe angulaire

⚠ AVERTISSEMENT Pour votre sécurité, prenez toujours les précautions suivantes, et conformez-vous en outre aux consignes de sécurité énoncées aux pages 51, 52, 53, 54, 55, 56, 57.

Le guide de coupe angulaire sert à exécuter les types de coupes suivantes : COUPES TRANSVERSALES, COUPES ANGULAIRES, COUPES EN BISEAU, COUPES ANGULAIRES BISEAUTÉES, ainsi que FEUILLURES sur les bords des petites pièces.

N'exécutez jamais de telles coupes à main levée (c'est-à-dire sans vous servir du guide de coupe angulaire ou d'autres accessoires) : la lame pourrait se coincer dans l'ouvrage et provoquer un REBOND ou vous happer le doigt ou la main.

Verrouillez toujours bien le guide de coupe angulaire avant de vous en servir.

Retirez le guide de refente de la table avant toute opération faisant appel au guide de coupe angulaire.

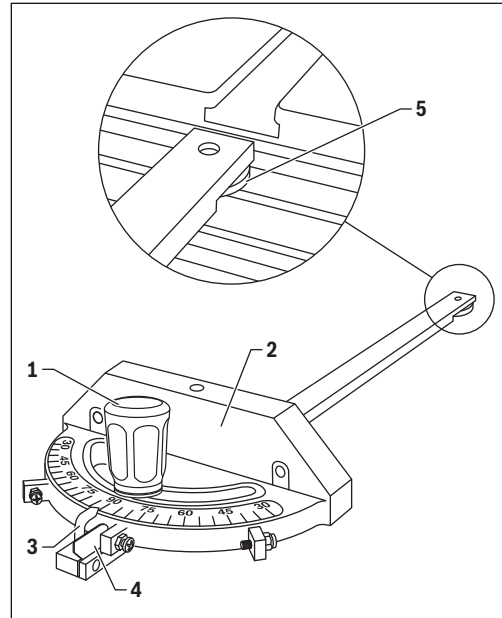
Le guide de coupe angulaire comprend un disque avec une rainure en forme de « T » **5** permettant une insertion facile dans la rainure de la table et un retrait encore plus rapide de la table (Fig. 55).

Lors d'une coupe transversale, et si la lame est réglée à un angle de 90° ou de 45° par rapport à la table, le guide de coupe angulaire peut être utilisé dans l'une quelconque des fentes sur la table. Lors d'une coupe transversale, et si la lame est inclinée, utilisez la fente du côté droit de la table, à l'endroit où la lame est inclinée dans la direction opposée à vos mains et au guide de coupe angulaire.

RÉGLAGE DU GUIDE DE COUPE ANGULAIRE

Desserrez le bouton de blocage **1** et réglez le corps du guide de coupe angulaire **2** de façon que l'indicateur **3** soit à l'angle voulu, puis serrez le bouton de blocage **1** (Fig. 55).

Le corps du guide de coupe angulaire **2** s'arrêtera à 90°, et à 45° à gauche comme à droite. Pour faire tourner le corps du guide de coupe angulaire **2** au-delà de ces points, il faut faire basculer la plaque de butée **4** pour qu'elle ne fasse pas obstacle.



COUPE TRANSVERSALE

Une coupe transversale est une coupe à 90° pratiquée à contre-fil, c'est-à-dire une coupe perpendiculaire aux deux bords et à la surface de la pièce. Elle se fait à l'aide du guide de coupe angulaire réglé à 90° (Fig. 56).

Veillez à ce que le protège-lame soit en place avant toute opération de coupe de part en part (ou coupe de bord à bord). Remettez le protège-lame en place IMMÉDIATEMENT après avoir achevé d'éventuelles rainures, moulures ou feuillures.

Réglez la lame de façon à ce qu'elle ne dépasse pas de plus d'1/8 po (3,2mm) environ la face supérieure de l'ouvrage. Si la partie exposée de la lame était supérieure à 1/8 po (3,2mm), cela accroîtrait les risques liés à l'utilisation de la scie.

Ne vous tenez pas directement en face de l'axe de coupe de la lame, en raison des risques de projection dans cette direction, par l'arrière de la lame, de fragments de matériau venant d'être découpé. Tenez-vous d'un côté ou de l'autre de la lame.

Gardez les mains à bonne distance de la lame et de son axe de coupe.

Si la lame se coince ou s'immobilise lors de la coupe, mettez l'interrupteur en position « ARRÊT » avant d'entreprendre de la dégager.

Fonctionnement basique de la scie à table

Ne tendez jamais le bras par-dessus la lame pour tirer l'ouvrage hors de la lame, soutenir des pièces longues ou lourdes, ou retirer des fragments venant d'être découpés. NI POUR AUCUNE AUTRE RAISON.

Ne ramassez pas, sur la table, les fragments de matériau venant d'être découpés. Faites-les TOMBER de la table en les poussant à l'aide d'un long bâton. Ils risqueraient sinon d'être projetés dans votre direction par l'arrière de la lame.

N'enlevez pas les petites pièces du matériau coupé qui peuvent SE LOGER à l'intérieur du protecteur de lame pendant que la scie est EN MARCHÉ. CECI POURRAIT METTRE VOS MAINS EN DANGER ou causer un REBOND. Mettez l'interrupteur en position « ARRET ». Une fois que la lame s'est immobilisée, relevez le protège-lame et dégagez le morceau de bois.

Si l'ouvrage est voilé, posez-le sur la scie face CONCAVE vers le BAS. Ainsi, il n'oscillera pas pendant la coupe.

L'échelle graduée du guide de coupe angulaire assure une précision suffisante pour la plupart des travaux de menuiserie. Pour des travaux de très haute précision, par exemple une coupe angulaire, faites une coupe d'essai et vérifiez-en la précision à l'aide d'une équerre juste ou d'un rapporteur.

Si nécessaire, vous pouvez modifier très légèrement l'orientation du guide de coupe angulaire afin de corriger toute imprécision.

REMARQUE : Tout est fait, lors de la fabrication, pour réduire le plus possible le jeu entre le régleur du guide de coupe angulaire et les bords de la gorge dans laquelle il coulisse.

Pour une précision optimum, restez « fidèle » à l'un des bords de la gorge. Autrement dit, évitez de faire entrer alternativement le régleur en contact avec l'un puis l'autre bord de la gorge pendant la coupe; le régleur doit coulisser contre le même bord de la gorge tout au long de la coupe.

REMARQUE : Collez un morceau de papier de verre **1** sur la partie de la tête du guide qui doit entrer en contact avec l'ouvrage. Cela évitera à ce dernier de glisser pendant la coupe.

Le guide de coupe angulaire peut être utilisé dans n'importe laquelle des gorges de la table. Assurez-vous qu'il est bien verrouillé.

Lorsque vous vous servez du guide dans la gorge de GAUCHE, maintenez l'ouvrage fermement contre le guide avec votre main

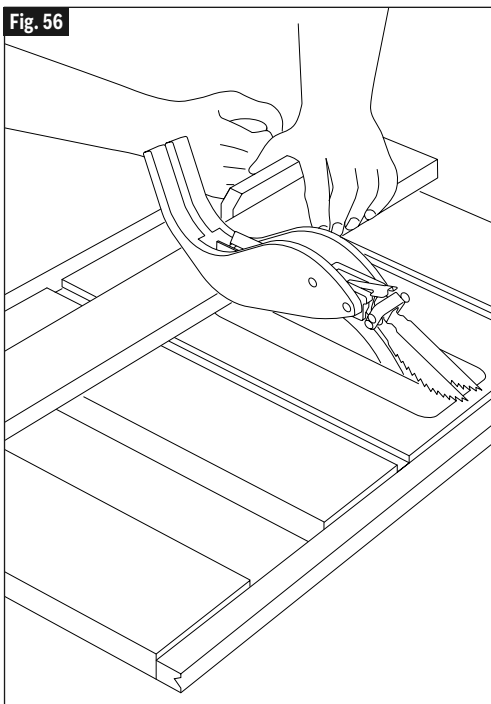


Fig. 56

gauche et tenez la molette de verrouillage du guide de la main droite.

Lorsque vous vous servez du guide dans la gorge de DROITE, maintenez l'ouvrage fermement contre le guide avec votre main droite et tenez la molette de verrouillage de la main gauche.

COUPE TRANSVERSALE RÉPÉTITIVE

Une COUPE TRANSVERSALE RÉPÉTITIVE est une coupe d'un certain nombre de pièces de la même longueur sans qu'il soit besoin de marquer chaque pièce. Lorsque vous faites des coupes répétitives sur un ouvrage très long, assurez-vous qu'il est bien soutenu – voir Fig. 58.

N'utilisez jamais le guide de refente comme butée longitudinale directe car la pièce coupée risquerait de se coincer entre le guide de refente et la lame et causer ainsi un choc en retour.

Lorsque vous attachez le bloc d'appoint, assurez-vous que le bloc est bien devant la lame de la scie, parce que la pièce coupée risquerait de se coincer entre le guide de refente et la lame et causer ainsi un choc en retour.

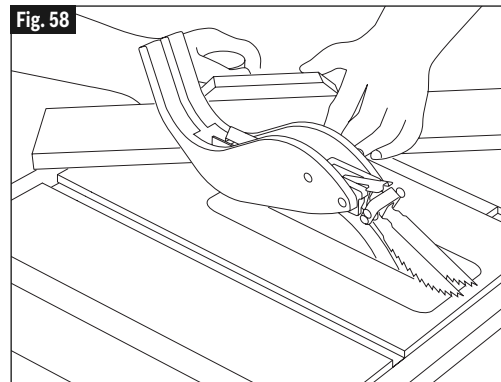
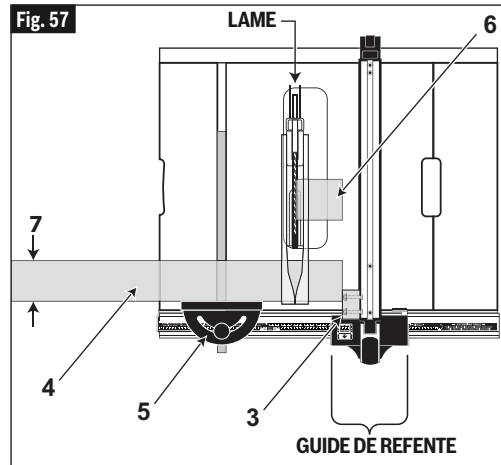
Fonctionnement basique de la scie à table

RÉALISATION DE LA COUPE TRANSVERSALE RÉPÉTITIVE

- Lorsque vous faites de coupes répétitives, attachez solidement un bloc d'appoint en bois au guide de refente comme illustré. La fente en forme de T dans le guide de refente permet d'effectuer cette fixation – voir Figure 57.
- Faites glisser le guide de refente (avec le bloc d'appoint) jusqu'à une position qui vous donne la longueur de planche que vous voulez répéter. Verrouillez le guide de refente en place. Remarque : si vous utilisez l'échelle graduée sur le rail avant de la scie pendant le montage, déplacez le guide de refente de 1 1/2 po (38mm) de plus afin de tenir compte de l'épaisseur du bloc d'appoint.
- Faites glisser l'ouvrage **4** le long du guide de coupe angulaire **5** jusqu'à ce qu'il soit en contact avec le bloc d'appoint **3**. Tenez-le solidement en place.
- Faites une opération « à vide » (pour la pratique) – avec la scie débranchée, déplacez le guide de coupe angulaire et l'ouvrage le long du bloc d'appoint jusqu'à ce qu'il soit en contact avec la lame immobile (la lame est réglée à 1/4 po (6mm) plus haut que l'ouvrage). – **Remarque** : l'ouvrage DOIT être séparé du bloc AVANT d'entrer en contact avec la lame. La capacité de coupe transversale **7** pour ces coupes est de 7-1/2 po (191mm) avec un ouvrage de 3/4 po (19mm) ou de 6-3/4 po (171mm) avec un ouvrage de 1-1/2 po (38mm). Si l'opération « à vide » est couronnée de succès, passez à l'étape suivante.
- Attachez la scie à une source d'alimentation électrique – Mettez la scie en marche ... Réalisez la coupe ... Éteignez la scie ... Retirez la pièce coupée **6** après l'arrêt complet de la lame et avant de commencer à couper la pièce suivante.

COUPE ANGULAIRE

On appelle COUPE ANGULAIRE le découpage à un angle autre que 90° par rapport aux bords de la pièce. Suivez la même méthode que pour la coupe transversale (Fig. 58). Réglez le guide de coupe angulaire selon l'angle voulu et verrouillez-le.



Le guide de coupe angulaire peut être utilisé dans n'importe laquelle des deux gorges de la table de coupe.

Lorsque vous vous servez du guide dans la gorge de GAUCHE, maintenez l'ouvrage fermement contre le guide avec votre main gauche et tenez la molette de verrouillage du guide de la main droite.

Lorsque vous vous servez du guide dans la gorge de DROITE, maintenez l'ouvrage fermement contre le guide avec votre main droite et tenez la molette de verrouillage de la main gauche.

COUPE TRANSVERSALE BISEAUTÉE

La COUPE TRANSVERSALE BISEAUTÉE est une coupe transversale dans laquelle la pièce est en outre coupée à un angle autre que 90° par rapport à ses faces (Fig. 59). Réglez la lame selon l'angle voulu.

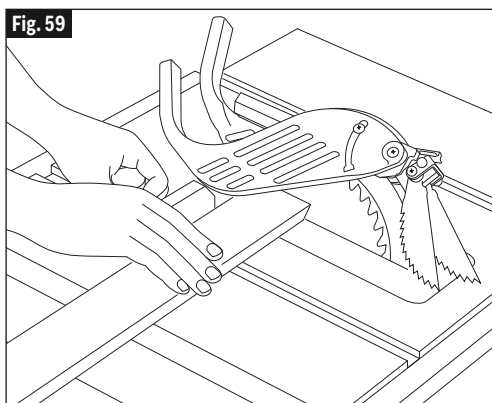
Fonctionnement basique de la scie à table

Servez-vous du guide de coupe angulaire placé dans la gorge située à DROITE de la lame.

COUPE ANGULAIRE BISEAUTÉE

La COUPE ANGULAIRE BISEAUTÉE, comme son nom l'indique, est la combinaison d'une coupe angulaire et d'une coupe en biseau. En d'autres termes, il s'agit d'une coupe à un angle autre que 90° par rapport aux bords de la pièce comme par rapport à ses faces (Fig. 59).

Réglez le guide de coupe angulaire et l'inclinaison de la lame et assurez-vous que le guide de coupe angulaire est bien verrouillé.



Fonctionnement basique de la scie à table

Coupe partielle

Montez sur le guide de refente, sur toute sa longueur, une planche d'appoint plate de 20 cm / 8 po de haut (Fig. 60).

Servez-vous de planches à languettes pour toutes les opérations de coupe partielle (lorsqu'il faut enlever le protège-lame). Ces accessoires **1** servent à maintenir l'ouvrage en contact avec le guide de refente et la table (voir illustration) et à prévenir les rebonds.

Fixez les planches à languettes **1** au guide de refente et à la table suivant l'illustration, de façon à ce que les languettes maintiennent l'ouvrage pour toute la durée de la coupe, jusqu'à ce que vous ayez entièrement dégagé l'ouvrage de l'outil de coupe (lame, fer à rainurer, fer pour moulures, etc.) en le poussant à l'aide d'une baguette-poussoir **22**, comme dans le cas d'une coupe en long.

Avant de commencer à scier (mettez la scie à la position « ARRÊT » (OFF) et réglez la lame en-dessous du niveau de la table) :

- A. Montez les planches à languettes de façon à ce qu'elles exercent une pression sur l'ouvrage; soyez certain qu'elles sont solidement fixées.
- B. Assurez-vous, en faisant des essais, que les languettes préviendront tout rebond éventuel.

On ne se sert pas de planches à languettes pour les opérations de coupe partielle faisant appel au guide de coupe angulaire.

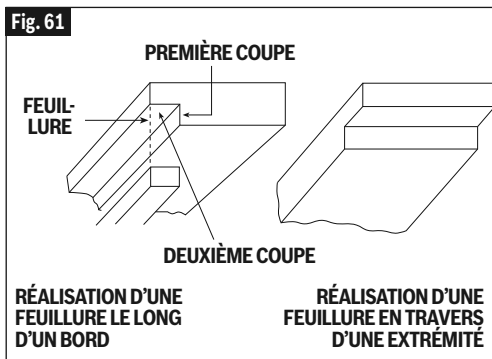
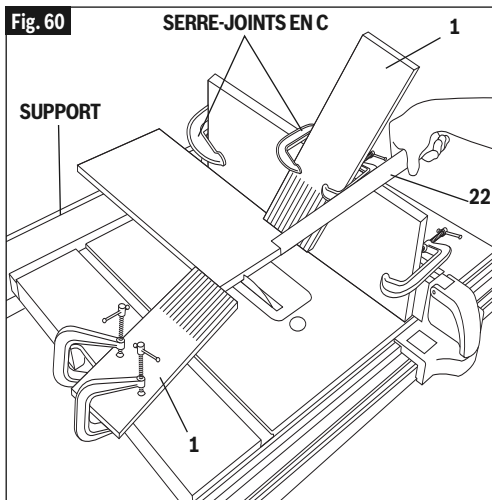
Remettez le protège-lame en place dès que l'opération de coupe partielle est terminée.

RÉALISATION DE FEUILLURES

Une FEUILLURE est une rainure pratiquée le long du bord ou de l'extrémité d'une pièce (Fig. 61).

La réalisation d'une FEUILLURE nécessite l'exécution de coupes partielles. Le protège-lame doit donc être retiré.

- A. Retirez le protège-lame.
- B. Pour exécuter une feuillure le long d'un bord (sur le côté le plus long de l'ouvrage – voir illustration), montez sur le guide de refente une planche de largeur approchant celle de l'ouvrage. Réglez la position du guide de refente et de la lame, puis exécutez la première coupe, l'ouvrage étant placé à plat sur la table (voir fig. 60). Faites la deuxième coupe en positionnant l'ouvrage verticalement.



Prenez toutes les précautions et suivez toutes les instructions et consignes de sécurité applicables aux opérations de coupe en long : servez-vous de planches à languettes, d'une baguette-poussoir, etc.

- C. Pour exécuter une feuillure en travers d'une extrémité large de 10 po 1/2 (267mm) au maximum, positionnez l'ouvrage à plat sur la table. En vous servant du guide de coupe angulaire sur lequel vous aurez fixé une planche de guidage, suivez les instructions relatives à la coupe transversale en faisant des coupes successives en travers de la largeur de l'ouvrage afin d'obtenir la profondeur désirée. **NE VOUS SERVEZ PAS** du guide de refente pour exécuter des feuillures d'extrémité.

Fonctionnement basique de la scie à table

D. REMETTEZ LE PROTÈGE-LAME EN PLACE IMMÉDIATEMENT APRÈS AVOIR TERMINÉ LES FEUILLURES.

On peut également réaliser des feuillures en une seule passe à l'aide d'un fer à rainurer ou d'un fer pour moulures.

COUPES DE RAINURES ET DE MOULURES

Des instructions concernant l'emploi de la scie avec des fers à rainurer et de moulures sont contenues dans le livret qui est fourni avec ces accessoires.

UTILISEZ TOUJOURS UNE PLAQUE AMOVIBLE APPROPRIÉE POUR UNE TABLE BOSCH ET DES RONDELLES INDIQUÉES DANS LA LISTE DES ACCESSOIRES RECOMMANDÉS (voir page 100).

REMETTEZ TOUJOURS LES RONDELLES DE LAMES DANS LEURS POSITIONS INITIALES APRÈS AVOIR TERMINÉ UNE COUPE DE RAINURES OU DE MOULURES.

INSTALLATION D'UN ENSEMBLE DE LAMES À RAINURER

⚠ AVERTISSEMENT Pour réduire le risque de blessure, débranchez toujours la fiche de la prise de courant avant de changer des lames.

⚠ AVERTISSEMENT Utilisez toujours la plaque amovible de table pour rainurage Bosch N° TS1007 (fourni avec une rondelle accessoire pour coupe de rainures). Ne faites jamais de coupes de rainures sans avoir installé cette plaque amovible. N'utilisez pas de lames de

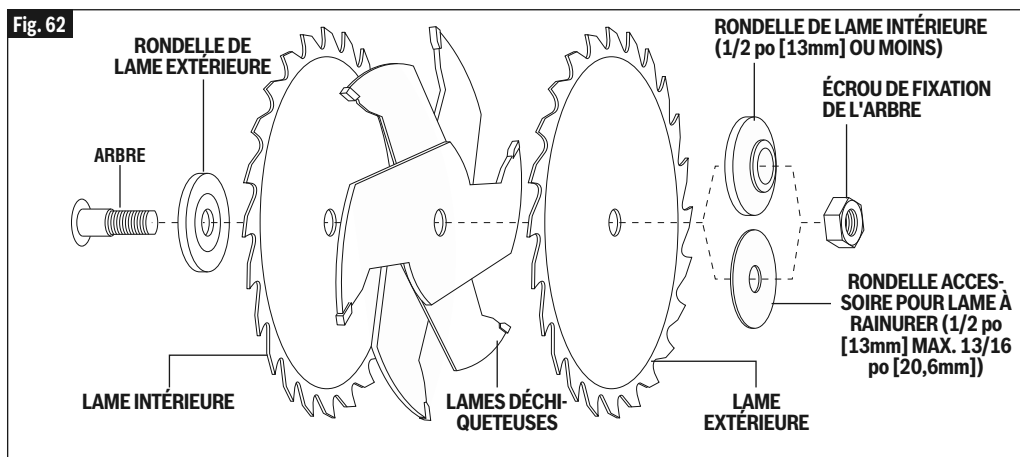
coupe à rainurer de plus de 8 po (203mm) de diamètre. N'inclinez jamais de lames à rainurer à un angle de biseau autre que l'angle vertical de 0°. Suivez tous les avertissements et toutes les instructions montrés ici ainsi que ceux qui accompagnent votre ensemble de lames à rainurer. Le non-respect de ces avertissements pourrait causer des blessures corporelles graves.

⚠ AVERTISSEMENT Pour réduire le risque de blessure, n'utilisez pas de lames à rainurer de plus de 8 pouces (203mm) de diamètre. La scie n'est pas conçue pour accepter des outils de coupe de rainure de plus grande taille.

Un ensemble de lames à rainurer est un système accessoire qui est utilisé pour créer des rainures partielles ou faire des coupes à recouvrement sur des ouvrages. Ces outils sont utilisés couramment dans le cadre de la construction de meubles et d'armoires. Après que les ouvrages ont été rainurés correctement, ils peuvent être jointoyés de façon très serrée. La scie de table 4100XC permet de réaliser des coupes de rainures d'une largeur pouvant atteindre 13/16 po (20,6mm) en une seule passe.

UTILISATION D'ENSEMBLES DE LAMES À RAINURER EMPILÉES

⚠ AVERTISSEMENT Pour réduire le risque de blessure ou de dommage matériel, lisez et suivez les instructions et les consignes de sécurité jointes à l'ensemble de lames à rainurer avant de commencer à les utiliser.



Fonctionnement basique de la scie à table

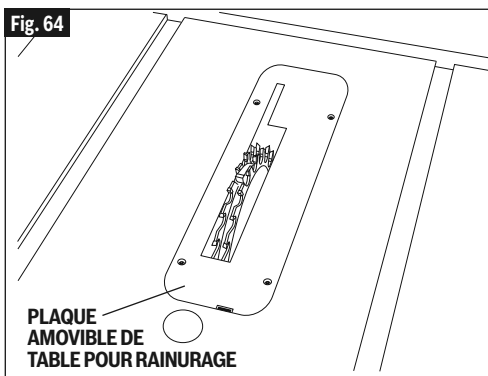
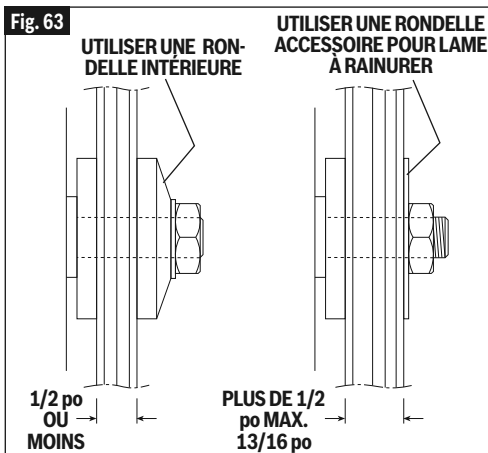
REMARQUE : Ces instructions s'appliquent à la plupart des ensembles de lames à rainurer empilées standard. N'utilisez pas les lames à rainurer si les instructions du fabricant ne sont pas les mêmes que celles qui sont indiquées ci-dessous.

⚠ AVERTISSEMENT Pour réduire le risque de blessure, n'utilisez jamais une seule lame à rainurer pour une coupe normale traversant tout le matériau. N'utilisez jamais de lames déchiqueteuses sans les deux couteaux extérieurs installés. Lisez et suivez toutes les instructions et consignes de sécurité accompagnant l'ensemble de lames à rainurer.

⚠ AVERTISSEMENT Pour réduire le risque de blessure, ne faites jamais passer vos mains au-dessus des lames à rainurer. Les coupes de rainurage sont des coupes partielles (aveugles). À de nombreux moments, il n'est pas possible de voir les couteaux pendant la coupe. Voir les instructions sur le sciage partiel à la page 93.

⚠ AVERTISSEMENT Pour réduire le risque de blessure, ne faites jamais de coupes à main levée. L'ouvrage doit être maintenu contre le guide de refente ou le guide coupe angulaire de la scie pendant qu'on le fait avancer dans la scie. Dans la mesure du possible, utilisez des baguettes-poussoirs et des plateaux-poussoirs pour faire des coupes longitudinales (voir page 84). Utilisez toujours des planches à languettes, attachées à la table ou au guide de refente, pour faire des coupes longitudinales (voir page 84). Lors de coupes transversales, maintenez fermement l'ouvrage contre le guide de coupe angulaire (voir page 91).

1. Débrancher la fiche de la prise de courant.
2. Retirez la barrière de sécurité et le dispositif de protection contre les chocs en retour (voir page 66 et 67). Abaissez le couteau diviseur et verrouillez-le dans sa position la plus basse.
3. Retirez la plaque amovible de table standard. Élevez la lame de scie à la hauteur maximum.
4. Retirez l'écrou de fixation de l'arbre, puis la rondelle extérieure, la lame de scie et la rondelle de lame intérieure (voir page 69). Remarque : les rondelles



doivent être installés de façon différente pour les coupes de rainurage seulement (Fig. 63).

5. Installation d'une pile de lames à rainurer (Fig. 62)
 - A. Remettez la rondelle extérieure (plate) sur l'arbre. Pour une coupe de rainures, elle servira de rondelle intérieure.
 - B. Placez les composants désirés de l'ensemble de lames à rainurer sur l'arbre.
 - C. Placez la rondelle fournie du kit d'accessoires de lames à rainurer (P/N) sur le dessus de la pile de lames à rainurer.
 - D. Remettez l'écrou de fixation de l'arbre sur l'arbre, et serrez (Fig. 63).
6. Placement des lames à rainurer et des

Fonctionnement basique de la scie à table

lames déchiqueteuses : (voir Fig. 62)

- Pour des coupes de 1/4 po (6mm) de large, placez les deux lames à rainurer extérieures (couteaux) sur l'arbre. Les deux lames à rainurer extérieures peuvent être différentes - lisez toutes les informations nécessaires sur les lames et les instructions du fabricant pour installer les lames correctement.
- Pour les coupes plus larges (jusqu'à 13/16 po [20,6mm] au maximum), des lames déchiqueteuses et des entretoises peuvent être placées seulement entre les lames extérieures (couteaux).

REMARQUE : l'écrou de fixation de l'arbre doit être engagé complètement sur les filets de l'arbre. Si la largeur des lames empilées dépasse 1/2 po (13mm), n'utilisez pas la rondelle intérieure des scies de table. Au lieu de cela, utilisez les rondelles pour la coupe de rainures fournies sous forme d'accessoires avec l'élément amovible de table pour rainurage Bosch TS1007. Avec cette scie, ne dépassez pas une largeur empilée de plus de 13/16 po (20,6mm).

7. Abaissez les lames au-dessous du dessus de la table et insérez la plaque amovible de table pour rainurage Bosch TS1007 (Fig. 64). Élevez les couteaux jusqu'à la profondeur de coupe désirée (au-dessus de la plaque amovible). Assurez-vous que l'outil n'est pas branché dans une prise de courant ; puis faites tourner les couteaux à la main en prenant toutes les précautions nécessaires pour vérifier que tous les composants sont solidement en place et qu'il n'existe pas d'interférences.
8. Branchez la scie dans une prise de courant. Utilisez des morceaux de bois résiduels pour pratiquer vos coupes de rainurage, et ajustez la hauteur en conséquence.

REMARQUE : étant donné que les coupes de rainures sont des coupes partielles seulement, le guide de coupe angulaire peut être utilisé avec le guide de refente verrouillé en place. Ceci est utile quand vous faites des coupes transversales de rainurage répétées depuis les extrémités de plusieurs ouvrages. Chaque ouvrage est maintenu en place contre le guide de coupe angulaire et son extrémité glisse le long du guide de refente à une dis-

tance prédéterminée.

En fonction de la profondeur finale de la coupe et/ou de la densité du matériau, il peut être nécessaire de réaliser de multiples coupes en commençant par de faibles profondeurs de 1/4 po (6mm) à 1/2 po (13mm), et en progressant jusqu'à la profondeur finale. En cas de réalisation de coupes de rainurage extensives répétées, inspectez périodiquement les ouvrages pour vérifier que la profondeur de coupe n'a pas changé.

REMISE DE LA SCIE EN ÉTAT POUR DES COUPES TRAVERSANT COMPLÈTEMENT UN OUVRAGE

Après avoir réalisé votre coupe de rainurage, n'oubliez pas de remettre les rondelles intérieures et extérieures dans leurs positions d'origine (voir les détails à la page 69). Il est important que les rondelles de l'équipement d'origine soient dans leurs positions correctes pour que la lame de scie puisse toujours s'aligner avec le couteau diviseur installé de façon permanente (Fig. 63).

ENSEMBLES DE LAMES À RAINURER RÉGLABLES OU OSCILLANTES

⚠ AVERTISSEMENT Pour réduire le risque de blessure, n'utilisez pas d'ensembles de lames à rainurer réglables ou « oscillantes » sur cette scie. Les ensembles de lames à rainurer réglables peuvent être réglés facilement dans des positions qui peuvent affecter d'autres éléments de cette scie.

INSTALLATION D'UN ENSEMBLE DE LAMES À MOULURER

⚠ AVERTISSEMENT Pour réduire le risque de blessure, débranchez toujours la fiche de la prise de courant avant de changer des lames.

⚠ AVERTISSEMENT Pour réduire le risque de blessure, utilisez toujours la plaque amovible de table pour moulurage Bosch N° TS1009. Ne réalisez jamais de coupes de moulures sans cette plaque amovible. N'utilisez pas d'ensembles de lames à moulurer de plus de 7 po (178mm) de diamètre avec des couteaux de plus de 1 po (25mm) de large. Ne réglez jamais d'outils à moulurer à un angle de biseau autre que l'angle vertical de 0°. Suivez tous les avertissements et

Fonctionnement basique de la scie à table

toutes les instructions montrés ici ainsi que ceux qui accompagnent votre ensemble de lames à moulurer. Le non-respect de ces avertissements pourrait causer des blessures corporelles graves.

REMARQUE : laissez la rondelle intérieure dans sa position de sciage initiale. Installez l'ensemble de lames à moulurer, puis la rondelle extérieure et enfin l'écrou de fixation de l'arbre. Assurez-vous que tous les couteaux et l'écrou de fixation de l'arbre sont suffisamment serrés. Certains ensembles de lames à moulurer contiennent une rondelle/entretoise épaisse supplémentaire ; cette pièce n'est pas utilisée sur la scie de table 4100XC.

⚠ AVERTISSEMENT **Pour réduire le risque de blessure, ne faites jamais passer vos mains au-dessus des lames à moulurer.** Les coupes de moulurage sont des coupes partielles (aveugles). À de nombreux moments, il n'est pas possible de voir les couteaux pendant la coupe. Voir les instructions sur le sciage partiel à la page 93. L'ouvrage doit être maintenu contre le guide de refente de la scie pendant qu'on le fait avancer dans la scie. Un guide de refente auxiliaire doit être attaché au guide de refente standard de la scie (voir page 85). Ne faites jamais de coupes à main levée. Dans la mesure du possible, utilisez des baguettes-poussoirs et des plateaux-poussoirs pour faire des coupes de moulurage (voir page 84). Utilisez toujours des planches à languettes ou des dispositifs de retenue attachés à la table ou au guide de refente (voir page 93). **IMPORTANT** : suivez toutes les instructions et tous les avertissements accompagnant votre ensemble de lames à moulurer.

Un ensemble de lames à moulurer peut être utilisé pour ajouter divers bords décoratifs à une structure en bois. Ces bords sont fréquemment trouvés sur des meubles et des boiseries.

- Débranchez la fiche de la prise de courant. Élevez la lame de scie à la hauteur maximum.
- Retirez l'ensemble de barrière de sécurité et de dispositif de protection contre les chocs en retour (voir page 66 et 67). Abaissez le couteau diviseur dans sa position la plus basse et verrouillez-le dans cette position.
- Retirez la plaque amovible de table standard.
- Retirez l'écrou de fixation de l'arbre et seulement la rondelle de lame extérieure et la lame de scie (voir page 69). **REMARQUE** : laissez la rondelle de lame intérieure sur l'arbre.
- Placez l'ensemble de lames à moulurer contre la rondelle intérieure (avec les couteaux orientés face à l'avant de la scie). Puis placez-le sur la rondelle extérieure et serrez l'écrou de fixation de l'arbre sur l'arbre.
- Abaissez les couteaux au-dessous du dessus de la table et insérez la plaque amovible de table pour moulurage Bosch (TS1009) (Fig. 66). Élevez les couteaux jusqu'à la profondeur de coupe désirée (au-dessus de la plaque amovible). Vérifiez que l'outil n'est pas branché dans une prise de courant ; puis faites tourner les couteaux à la main en prenant toutes les précautions

Fig. 65

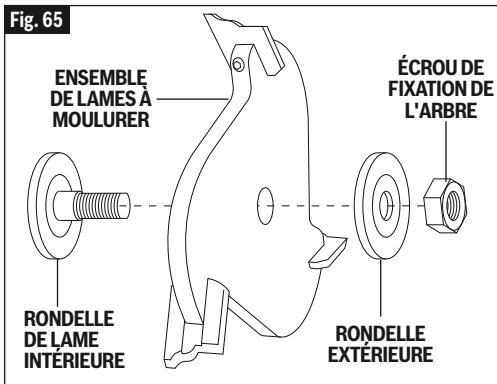
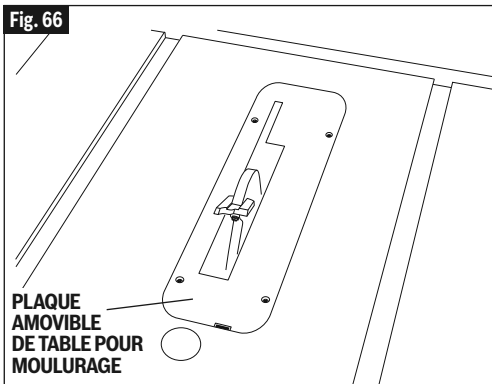


Fig. 66



Fonctionnement basique de la scie à table

nécessaires pour vous assurer que tous les composants sont fermement à leur place et qu'il n'existe pas d'interférences.

- G. Branchez la scie dans une prise de courant. Utilisez des morceaux de bois résiduels pour pratiquer vos coupes de moulurage, et ajustez la hauteur en conséquence.

REMISE DE LA SCIE EN ÉTAT POUR DES COUPES TRAVERSANT COMPLÈTEMENT UN OUVRAGE

Après avoir réalisé votre coupe de moulurage, n'oubliez pas de remettre les rondelles intérieures et extérieures dans leurs positions d'origine (voir les détails à la page 69). Il est important que les rondelles de l'équipement d'origine soient dans leurs positions correctes pour que la lame de scie puisse toujours s'aligner avec le couteau diviseur installé de façon permanente.

Techniques de coupe spécialisées

⚠ AVERTISSEMENT Ne tentez pas d'exécuter des coupes dont ne parle pas ce mode d'emploi à moins de très bien connaître la marche à suivre, y compris les méthodes de fixation.

Cette scie est un outil multi-usages pouvant exécuter un très grand nombre de coupes hautement spécialisées qu'il n'est pas possible d'aborder dans ce mode d'emploi.

Vous pouvez consulter, à votre bibliothèque locale, divers livres consacrés aux techniques de menuiserie, tels que « The Complete Book of Stationary Power Tool Techniques », de R.J. De Christoforo, ou « Table Saw Techniques », de R. Cliffe.

Entretien de votre scie à table

ENTRETIEN GÉNÉRAL

⚠ AVERTISSEMENT Pour votre sécurité, mettez l'interrupteur en position « ARRÊT » et débranchez la fiche du secteur avant toute opération d'entretien ou de lubrification de votre scie.

⚠ AVERTISSEMENT Toutes les réparations électriques ou mécaniques ne doivent être effectuées que par un technicien qualifié. Adressez-vous au Centre de service en usine Bosch ou à une Station-service Bosch agréée, ou à tout autre service de réparation compétent. N'utilisez que des pièces de rechange Bosch ; d'autres types de pièces pourraient présenter un danger.

⚠ MISE EN GARDE Certains détergents et solvants ont un effet corrosifs sur le plastique; il s'agit entre autres de l'essence, du tétrachlorure de carbone, des solvants chlorés, de l'ammoniaque et des détergents domestiques contenant de l'ammoniaque. En évitant d'utiliser ces produits, ainsi que d'autres types

de produits de nettoyage, vous réduirez au minimum les risques d'endommager votre machine.

Ne laissez pas s'accumuler la sciure à l'intérieur de la scie. Utilisez fréquemment une brosse pour retirer toute la poussière pouvant s'être accumulée à l'intérieur du boîtier de la scie et du moteur. Nettoyez vos outils de coupe à l'aide d'un solvant pour résine et poix.

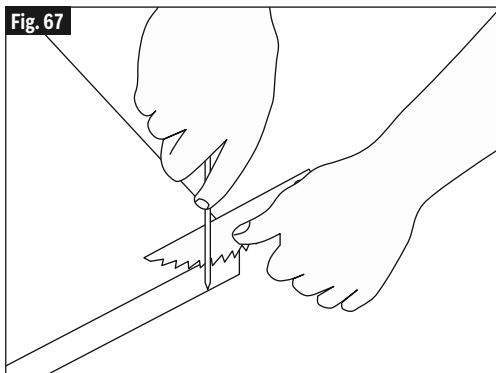
Nettoyez périodiquement le dispositif de protection avec un chiffon ou avec une brosse.

Essuyer le cordon d'alimentation et la machine à l'aide d'un chiffon propre et sec afin de prévenir toute détérioration due à de l'huile ou de la graisse.

Une couche de cire de carrossier appliquée de temps à autre sur la table de coupe contribuera à la propreté de cette dernière et permettra à l'ouvrage d'y glisser facilement. Faire remplacer immédiatement le cordon d'alimentation s'il est usé, entaillé ou endommagé de quelque façon que ce soit.

Vérifiez que les dents des taquets anti-re-

Entretien de votre scie à table



bond sont toujours bien affûtées. Pour les réaffûter :

- Retirez les taquets anti-rebond du couteau diviseur.
- Faites tourner un taquet pour l'éloigner de l'autre.
- Tenez le taquet au-dessus du coin de la table de travail (Fig. 67).
- Aigüisez les dents du taquet à l'aide d'une petite lime ronde à grain fin.

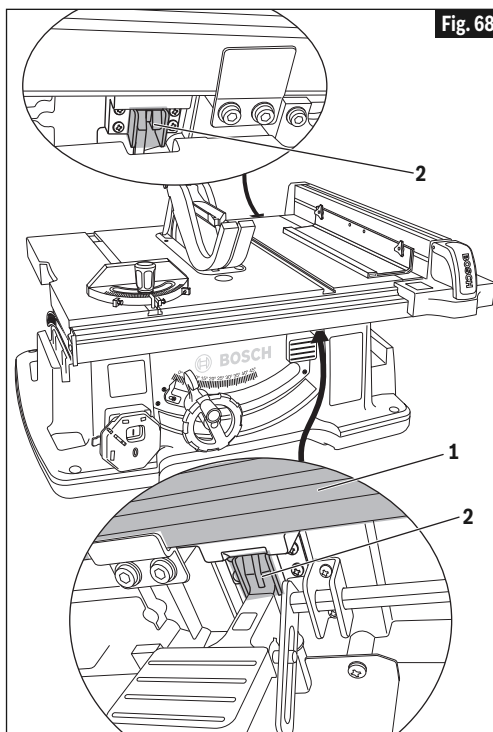
LUBRIFICATION

Tous les engrenages ont été lubrifiés en usine. Toutefois, après six mois à un an, selon la fréquence d'utilisation, il est bon de renvoyer votre outil au Centre de service le plus proche afin de faire procéder aux opérations suivantes :

- Remplacement des balais
- Nettoyage et inspection des différentes pièces
- Nouvelle lubrification à l'aide de lubrifiant vierge
- Vérification du système électrique
- Toutes réparations éventuelles

Les pièces suivantes doivent être huilées de temps en temps avec de l'huile SAE N° 20 ou N° 30, ou de la WD 40 (Fig. 68) :

- Rails de coulisse et supports.
- Cames de verrouillage de la table (avant et arrière).



Attachements

⚠ AVERTISSEMENT N'utilisez que les attachements recommandés. Suivez les instructions qui accompagnent les attachements. L'utilisation d'attachements inappropriés pourrait causer des dangers.

Article	No. de cat.
Support de sortie arrière	TS1016
Support de sortie gauche	TS1008
Sac à poussière	TS1004
Élément amovible sans jeu	TS1005
Ensemble d'élément amovible pour rainurer	TS1007
Élément amovible pour moulurer	TS1009
Système de guide de pousoir	TS1010
Plateforme de support à roulettes Gravity-Rise pour scie à table	TS2100
Adaptateur de tuyaux flexibles pour aspirateur	VAC004

Guide de diagnostic





⚠ AVERTISSEMENT

Mettez l'interrupteur en position « ARRÊT » et débranchez le cordon d'alimentation avant de rechercher les causes d'une panne éventuelle.

Problème	Cause	Action corrective
La scie ne démarre pas	Le cordon d'alimentation n'est pas branché.	Brancher le cordon.
	Fusible grillé ou disjoncteur déclenché	Remplacer le fusible ou réenclencher le disjoncteur.
	Cordon d'alimentation endommagé.	Faire remplacer le cordon par un Centre de service ou une Station service Bosch agréés.
	Interrupteur grillé.	Faire remplacer l'interrupteur par un Centre de service ou une Station service Bosch agréés.
La lame ne tourne pas à une vitesse suffisante	Rallonge d'alimentation électrique de trop faible calibre ou trop longue.	Utiliser une rallonge adaptée.
	Tension insuffisante du système électrique domestique.	Prévenir la compagnie d'électricité.
Vibrations excessives	Poignée de verrouillage du dispositif d'inclinaison de la lame insuffisamment serrée.	Voir le chapitre « Familiarisez-vous avec votre scie » (pages 62–63).
	Lame déséquilibrée.	Mettre la lame au rebut et en installer une autre.
	La scie n'est pas bien fixée à son support ou à l'établi.	Resserrer tous les boulons de fixation; voir le chapitre « Installation de la scie » (page 72).
	L'écrou de fixation de l'outil de coupe n'est pas assez serré.	Voir la section « Changement de la lame », au chapitre « Assemblage » (page 69).
Les coupes transversales ne sont pas d'équerre	Le guide de coupe angulaire est mal réglé.	Voir la section « Réglage du guide de coupe angulaire », au chapitre « Réglages » (page 73).
La lame se coince ou provoque un échauffement excessif de l'ouvrage, ou le moteur se bloque, pendant une coupe en long	Lame émoussée et voie des dents inadap-tée.	Affûter ou remplacer la lame.
	Planche gondolée.	Vérifier si vous avez placé la planche côté concave (creux) VERS LE BAS, et faire avancer lentement contre la lame.
	Le guide de refente n'est pas parallèle à la lame.	Voir la section « Alignement du guide de refente », au chapitre « Réglages » (page 74).
	Le séparateur n'est plus aligné.	Voir la section « Montage du système Smart Guard « Assemblage » (page 66).
La scie ne donne pas les résultats escomptés lorsqu'elle est réglée pour une coupe à 90° et à 45°	Les vis d'alignement sont mal réglées.	Se reporte à la section « Réglage de la lame parallèlement aux fentes du guide d'onglet » (page 73).
La poignée de verrouillage du dispositif d'inclinaison de la lame ou le volant de réglage de hauteur sont difficiles à manoeuvrer	La poignée de verrouillage n'était pas desserrée au moment du réglage de l'inclinaison.	Voir la section « Poignée de verrouillage du dispositif d'inclinaison de la lame », au chapitre « Familiarisez-vous avec votre scie » (page 62–63).
	Il y a de la sciure sur le filetage de la vis de réglage de la profondeur.	Voir la section « Lubrification », au chapitre « Entretien de la scie de table » (page 99).

Símbolos de seguridad

Las definiciones que aparecen a continuación describen el nivel de gravedad de cada palabra de señal de seguridad. Por favor, lea el manual y preste atención a estos símbolos.

	Éste es el símbolo de alerta de seguridad. Se utiliza para alertarle a usted de posibles peligros de lesiones corporales. Obedezca todos los mensajes de seguridad que sigan a este símbolo para evitar posibles lesiones o muerte.
	PELIGRO indica una situación peligrosa que, si no se evita, causará la muerte o lesiones graves.
	ADVERTENCIA indica una situación peligrosa que, si no se evita, podría causar la muerte o lesiones graves.
	PRECAUCIÓN indica una situación peligrosa que, si no se evita, podría causar lesiones leves o moderadas.

Indice

Símbolos de seguridad	102	Posicionamiento de la cuchilla separadora	119
Advertencias generales de seguridad para herramientas mecánicas	104	Instalación del ensamblaje del protector	120
1. Seguridad del área de trabajo	104	Instalación del dispositivo antirretroceso	121
2. Seguridad eléctrica	104	Selección y cambio de la hoja	121
3. Seguridad personal	104	Utilización de la hoja correcta	121
4. Uso y cuidado de las herramientas mecánicas	105	Cambio de la hoja	122
5. Servicio de ajustes y reparaciones	106	Colocación del tope-guía para cortar al hilo	123
Instrucciones de seguridad para sierras de mesa	106	Instalación del tope-guía para piezas de trabajo delgadas	123
1. Advertencias relacionadas con los protectores	106	Almacenamiento, transporte y montaje ..	124
2. Advertencias para los procedimientos de corte	106	Almacenamiento del calibre de ingletes y el palo de empujar	124
3. Causas del retroceso y advertencias relacionadas	107	Almacenamiento del tope-guía para cortar al hilo y el tope-guía para piezas de trabajo delgadas	124
4. Advertencias para los procedimientos de utilización de la sierra de mesa	108	Almacenamiento del sistema de protector inteligente Smart Guard	125
Normas de seguridad adicionales	110	Montaje de la sierra de mesa	125
Uso previsto	110	Ajustes	126
Especificaciones	111	Ajuste de la hoja paralela a las ranuras del calibre de ingletes	126
Herramientas con aislamiento doble	111	Ajuste del calibre de ingletes	126
Cordones de extensión	111	Ajustes del tope-guía para cortar al hilo ..	127
Símbolos	112	Alineación del tope-guía para cortar al hilo	127
Familiarización con la sierra de mesa	114	Ajuste del indicador del tope-guía para cortar al hilo	128
Glosario de términos	116	Para ajustar el indicador del tope-guía para cortar al hilo:	128
Desempaquetado y comprobación del contenido	117	Ajuste del indicador de la mesa	128
Herramientas necesarias para el ensamblaje	118	Alineación de la cuchilla separadora	129
Ensamblaje	119		
Instalación de la rejilla inferior	119		
Instalación del sistema de protector inteligente Smart Guard	119		

Índice

Comprobación de la alineación de la cuchilla separadora	129
Ajuste de la cuchilla separadora	129
Ajuste del accesorio de inserción de la mesa	130
Ajuste de los topes positivos a 0 y 45 grados	131
Ajuste del tope positivo de 0 grados:	131
Ajuste del tope positivo de 45 grados:	131
Utilización básica de la sierra de mesa	132
Interruptor de encendido	132
Utilización del sistema de protector inteligente Smart Guard	132
Cuchilla separadora / separador	133
Protector de barrera principal	133
Dispositivo antirretroceso	134
Elaboración de los ayudantes de trabajo	134
Elaboración del palo de empujar y el bloque de empujar	134
Elaboración de un tope-guía auxiliar	135
Cómo hacer una tabla con canto biselado	135
Elaboración del bloque de refrentado	135
Elaboración de un refrentado auxiliar para el tope-guía para cortar al hilo	136
Elaboración de un refrentado auxiliar para el calibre de ingletes	136
Utilización del palo de empujar, el bloque de empujar y el tope-guía auxiliar	137
Palo de empujar	137
Bloque de empujar	138
Tope-guía auxiliar y para piezas de trabajo delgadas	138
Ubicador de precorte	139
Control de inclinación de la hoja	139
Ajuste de la extensión de la mesa	139
Utilización del tope-guía para cortar al hilo	140
Corte al hilo	140
Corte al hilo en bisel	141
Utilización del indicador del tope-guía para cortar al hilo (sólo si la mesa <u>no está</u> extendida)	141
Utilización del indicador de la mesa (sólo si la mesa está extendida al máximo)	141
Utilización del calibre de ingletes	142
Para ajustar el ángulo de inglete:	142
Corte transversal	142
Corte transversal repetitivo	143
Realización del corte transversal repetitivo	144
Corte a inglete	144
Corte transversal en bisel	145
Corte a inglete compuesto	145
Aserrado no pasante	145
Corte de rebajos	145
Corte de mortajas y molduras	146
Instalación de un juego de mortajar	146
Utilización de juegos de mortajar apilados	147
Regreso de la sierra a corte pasante normal	148
Juegos de mortajar ajustables u oscilantes	149
Instalación de un juego de fresas de moldurar	149
Regreso de la sierra a corte pasante normal	150
Técnicas de corte especiales	150
Mantenimiento de la sierra de mesa	150
Mantenimiento general	150
Lubricación	151
Aditamentos	152
Resolución de problemas	153
Plantilla para el calibre de ingletes: para añadir agujeros de montaje	155

Advertencias generales de seguridad para herramientas mecánicas

⚠ ADVERTENCIA Lea todas las advertencias de seguridad, instrucciones, ilustraciones y especificaciones suministradas con esta herramienta eléctrica. Si no se siguen todas las instrucciones que se indican a continuación, es posible que el resultado sea descargas eléctricas, incendio y/o lesiones graves.

GUARDE TODAS LAS ADVERTENCIAS E INSTRUCCIONES PARA REFERENCIA FUTURA

La expresión "herramienta mecánica" en las advertencias se refiere a su herramienta mecánica alimentada por la red eléctrica (herramienta alámbrica) o su herramienta mecánica alimentada por baterías (herramienta inalámbrica).

1. Seguridad del área de trabajo

- Mantenga el área de trabajo limpia y bien iluminada.** Las áreas desordenadas u oscuras invitan a que se produzcan accidentes.
- No utilice herramientas mecánicas en atmósferas explosivas, como por ejemplo en presencia de líquidos, gases o polvos inflamables.** Las herramientas mecánicas generan chispas que pueden incendiar el polvo o los vapores.
- Mantenga alejados a los niños y a las personas que estén presentes mientras esté utilizando una herramienta mecánica.** Las distracciones pueden hacerle perder el control de la herramienta.
- Haga el taller a prueba de niños con candados y/o interruptores maestros.**

2. Seguridad eléctrica

- Los enchufes de las herramientas mecánicas deben coincidir con el tomacorriente. No modifique nunca el enchufe de ningún modo. No use enchufes adaptadores con herramientas mecánicas conectadas a tierra (puestas a tierra).** Los enchufes no modificados y los tomacorrientes coincidentes reducirán el riesgo de sacudidas eléctricas.
- Evite el contacto del cuerpo con las superficies conectadas o puestas a tierra, tales como tuberías, radiadores, estufas y refrigeradores.** Hay un aumento del riesgo de sacudidas eléctricas si el cuerpo del operador se conecta o pone a tierra.
- No exponga las herramientas mecánicas a la lluvia o a condiciones mojadas.** La entrada de agua en una herramienta mecánica aumentará el riesgo de que se produzcan sacudidas eléctricas.
- No maltrate el cordón de energía. No use nunca el cordón para transportar la herramienta mecánica, tirar de ella o desenchufarla. Mantenga el cordón alejado del calor, el aceite, los bordes afilados o las piezas móviles.** Los cordones dañados o engancha-

dos aumentan el riesgo de que se produzcan sacudidas eléctricas.

- Cuando utilice una herramienta mecánica en el exterior, use un cordón de extensión adecuado para uso a la intemperie.** La utilización de un cordón adecuado para uso a la intemperie reduce el riesgo de que se produzcan sacudidas eléctricas.
- Si es inevitable utilizar una herramienta mecánica en un lugar húmedo, utilice una fuente de energía protegida por un interruptor de circuito accionado por corriente de pérdida a tierra (GFCI).** El uso de un GFCI reduce el riesgo de sacudidas eléctricas.
- Antes de conectar la herramienta a una fuente de energía (caja tomacorriente, tomacorriente, etc.), asegúrese de que el voltaje suministrado es el mismo que el que se indica en la placa del fabricante de la herramienta.** Una fuente de energía con un voltaje superior al especificado para la herramienta puede ocasionar graves lesiones al usuario, así como daños a la herramienta. En caso de duda, NO ENCHUFE LA HERRAMIENTA. La utilización de una fuente de energía con un voltaje inferior a la capacidad nominal indicada en la placa del fabricante es perjudicial para el motor.

3. Seguridad personal

- Manténgase alerta, fíjese en lo que está haciendo y use el sentido común cuando esté utilizando una herramienta mecánica. No use una herramienta mecánica cuando esté cansado o bajo la influencia de drogas, alcohol o medicamentos.** Un momento de distracción mientras esté utilizando herramientas mecánicas podría causar lesiones corporales graves.
- Use equipo de protección personal. Use siempre protección de los ojos.** El equipo de protección, como por ejemplo una máscara antipolvo, calzado de seguridad antideslizante, casco o protección de oídos, utilizado para las condiciones apropiadas, reducirá las lesiones corporales.

Advertencias generales de seguridad para herramientas mecánicas

- c. **Evite el arranque accidental. Asegúrese de que el interruptor esté en la posición de apagado antes de conectar la herramienta a la fuente de energía y / o al paquete de batería, levantar la herramienta o transportarla.** Transportar herramientas mecánicas con un dedo en el interruptor o encender herramientas mecánicas que tengan el interruptor en la posición de encendido invita a que se produzcan accidentes.
- d. **Quite todas las llaves de ajuste o de tuerca antes de encender la herramienta mecánica.** Una llave de tuerca o de ajuste que se deje colocada en una pieza giratoria de la herramienta mecánica podría causar lesiones corporales.
- e. **No intente alcanzar demasiado lejos. Mantenga un apoyo de los pies y un equilibrio apropiados en todo momento.** Esto permite controlar mejor la herramienta mecánica en situaciones inesperadas.
- f. **Vístase adecuadamente. No use ropa holgada ni alhajas holgadas. Mantenga el pelo, la ropa y los guantes alejados de las piezas móviles.** La ropa holgada, las alhajas holgadas o el pelo largo pueden quedar atrapados en las piezas móviles.
- g. **Si se proporcionan dispositivos para la conexión de instalaciones de extracción y recolección de polvo, asegúrese de que dichas instalaciones estén conectadas y se usen correctamente.** El uso de dispositivos de recolección de polvo puede reducir los peligros relacionados con el polvo.
- h. **No deje que la familiaridad obtenida con el uso frecuente de las herramientas le haga volverse complaciente e ignorar los principios de seguridad de las herramientas.** Una acción descuidada puede causar lesiones graves en una fracción de segundo.
- c. **Desconecte el enchufe de la fuente de alimentación y/o retire el paquete de batería de la herramienta eléctrica, si es extraíble, antes de hacer cualquier ajuste, cambiar accesorios o almacenar herramientas eléctricas.** Dichas medidas preventivas de seguridad reducen el riesgo de arrancar accidentalmente la herramienta mecánica.
- d. **Guarde las herramientas que no esté usando fuera del alcance de los niños y no deje que personas que no estén familiarizadas con la herramienta mecánica o con estas instrucciones utilicen la herramienta.** Las herramientas mecánicas son peligrosas en manos de usuarios que no hayan recibido capacitación.
- e. **Mantenga las herramientas eléctricas y sus accesorios. Compruebe si hay piezas móviles desalineadas o que se atoran, si hay piezas rotas y si existe cualquier otra situación que podría afectar el funcionamiento de la herramienta mecánica.** Si la herramienta mecánica está dañada, haga que la reparen antes de usarla. Muchos accidentes son causados por herramientas mecánicas mantenidas deficientemente.
- f. **Mantenga las herramientas de corte afiladas y limpias.** Es menos probable que las herramientas de corte mantenidas apropiadamente, con bordes de corte afilados, se atoren, y dichas herramientas son más fáciles de controlar.
- g. **Utilice la herramienta mecánica, los accesorios, las brocas de la herramienta, etc., de acuerdo con estas instrucciones, teniendo en cuenta las condiciones de trabajo y el trabajo que se vaya a realizar.** El uso de la herramienta mecánica para operaciones distintas a aquéllas para las que fue diseñada podría causar una situación peligrosa.
- h. **Mantenga secos, limpios y libres de aceite y grasa los mangos y las superficies de agarre.** Si están resbalosos, los mangos y las superficies de agarre no permiten un manejo y un control seguros de la herramienta en situaciones inesperadas.
- i. **No altere ni utilice incorrectamente la herramienta. Estas herramientas están construidas con precisión.** Cualquier alteración o modificación no especificada constituye un uso incorrecto y es posible que cause situaciones peligrosas.
- j. **No utilice esta sierra de mesa hasta que esté completamente ensamblada e instalada de acuerdo con las instrucciones y hasta que haya leído y entendido lo siguiente:**

4. Uso y cuidado de las herramientas mecánicas

- a. **No fuerce la herramienta mecánica. Use la herramienta mecánica correcta para la aplicación que desee realizar.** La herramienta mecánica correcta hará el trabajo mejor y con más seguridad a la capacidad nominal para la que fue diseñada.
- b. **No use la herramienta mecánica si el interruptor no la enciende y apaga.** Toda herramienta mecánica que no se pueda controlar con el interruptor es peligrosa y debe ser reparada.

Advertencias generales de seguridad para herramientas mecánicas

- | | | | |
|--|---------|---|---------|
| 1. Advertencias generales de seguridad para herramientas mecánicas . . . | 104–106 | 11. Ajustes | 126–131 |
| 2. Instrucciones de seguridad para sierras de mesa | 106–108 | 12. Utilización básica de la sierra de mesa | 132–150 |
| 3. Normas de seguridad adicionales | 110 | 13. Mantenimiento de la sierra de mesa | 150–151 |
| 4. Uso previsto | 110 | | |
| 5. Especificaciones | 111 | | |
| 6. Herramientas con aislamiento doble | 111 | | |
| 7. Familiarización con la sierra de mesa | 114–115 | | |
| 8. Desempaquetado y comprobación del contenido | 118 | | |
| 9. Ensamblaje | 119–123 | | |
| 10. Almacenamiento, transporte y montaje | 124–125 | | |

5. Servicio de ajustes y reparaciones

- a. **Haga que su herramienta mecánica reciba servicio de un técnico de reparaciones calificado, utilizando únicamente piezas de reemplazo idénticas.** Esto asegurará que se mantenga la seguridad de la herramienta mecánica.


Instrucciones de seguridad para sierras de mesa

1. Advertencias relacionadas con los protectores

- a. **Mantenga los protectores colocados en la posición correcta. Los protectores deben estar en buenas condiciones de funcionamiento y montados correctamente.** Un protector que esté flojo o dañado, o que no esté funcionando correctamente, debe ser reparado o reemplazado.
- b. **Utilice siempre el protector de la hoja de sierra, la cuchilla separadora y el dispositivo antirretroceso para cada operación de corte pasante.** En el caso de operaciones de corte pasante en las que la hoja de sierra corte completamente a través del grosor de la pieza de trabajo, el protector y otros dispositivos de seguridad ayudan a reducir el riesgo de lesiones.
- c. **Reinstale inmediatamente el sistema de protección después de completar una operación (tal como cortes de rebajos, cortes de mortajas o cortes de reaserrado) que requiera la remoción del protector, la cuchilla separadora y/o el dispositivo antirretroceso.** El protector, la cuchilla separadora y el dispositivo antirretroceso ayudan a reducir el riesgo de lesiones.
- d. **Asegúrese de que la hoja de sierra no esté haciendo contacto con el protector, la cuchilla separadora o la pieza de trabajo antes de poner el interruptor en la posición de encendido.** Un contacto accidental de estos elementos con la hoja de sierra podría causar una situación peligrosa.

- e. **Ajuste la cuchilla separadora y el dispositivo antirretroceso tal y como se describe en este manual de instrucciones.** Un espaciamiento, un posicionamiento y una alineación incorrectos pueden hacer que la cuchilla separadora sea ineficaz para reducir la probabilidad de retroceso.
- f. **Para que la cuchilla separadora y el dispositivo antirretroceso funcionen, deben estar acoplados en la pieza de trabajo.** La cuchilla separadora y el dispositivo antirretroceso son ineficaces al cortar piezas de trabajo que sean demasiado cortas para ser acopladas con la cuchilla separadora y el dispositivo antirretroceso. En estas condiciones, la cuchilla separadora y el dispositivo antirretroceso no pueden prevenir un retroceso.
- g. **Utilice la hoja de sierra adecuada para la cuchilla separadora.** Para que la cuchilla separadora funcione correctamente, el diámetro de la hoja de sierra debe coincidir con la cuchilla separadora adecuada, el cuerpo de la hoja de sierra debe ser más delgado que el grosor de la cuchilla separadora y la anchura de la hoja de sierra debe ser mayor que el grosor de la cuchilla separadora.

2. Advertencias para los procedimientos de corte

- a. ** PELIGRO** No ponga nunca los dedos ni las manos cerca de la hoja de sierra ni en línea con la misma. Un momento de desatención o un resbalón podrían

Instrucciones de seguridad para sierras de mesa

dirigir la mano hacia la hoja de sierra y causar lesiones corporales graves.

- b. **Haga avanzar la pieza de trabajo hacia la hoja de sierra o el cortador solamente contra el sentido de rotación.** Si se hace avanzar la pieza de trabajo en el mismo sentido en el que la hoja de la sierra esté rotando sobre la mesa, es posible que el resultado sea que la pieza de trabajo y la mano del operador sean jaladas hacia la hoja de sierra.
- c. **No utilice nunca el calibre de ingletes para hacer avanzar la pieza de trabajo al cortar al hilo y no utilice el tope-guía para cortar al hilo como tope de longitud cuando corte transversalmente con el calibre de ingletes.** Si se guía la pieza de trabajo con el tope-guía para cortar al hilo y el calibre de ingletes al mismo tiempo, se aumenta la probabilidad de que la sierra se atore y experimente retroceso.
- d. **Cuando corte al hilo, aplique siempre la fuerza de avance de la pieza de trabajo entre el tope-guía y la hoja de sierra. Utilice un palo de empujar cuando la distancia entre el tope-guía y la hoja de sierra sea menor de 150 mm (6 pulgadas) y utilice un bloque de empujar cuando esta distancia sea menor de 50 mm (2 pulgadas).** Los dispositivos de “ayuda al trabajo” mantendrán la mano del operador a una distancia segura de la hoja de sierra.
- e. **Utilice únicamente el palo de empujar suministrado por el fabricante o construido de acuerdo con las instrucciones.** Este palo de empujar proporciona suficiente distancia desde la mano hasta la hoja de sierra.
- f. **No utilice nunca un palo de empujar dañado o cortado.** Es posible que un palo de empujar dañado se rompa y haga que la mano del operador resbale hacia la hoja de sierra.
- g. **No realice ninguna operación “a pulso”. Utilice siempre el tope-guía para cortar al hilo o el calibre de ingletes para posicionar y guiar la pieza de trabajo.** “A pulso” significa utilizar las manos para soportar o guiar la pieza de trabajo, en lugar de un tope-guía para cortar al hilo o un calibre de ingletes. El aserrado a pulso causa desalineación, atoramiento y retroceso.
- h. **No ponga nunca las manos alrededor de una hoja de sierra que esté rotando ni sobre ella.** Si intenta alcanzar una pieza de trabajo, es posible que el resultado sea un contacto accidental con la hoja de sierra que está en movimiento.
- i. **Proporcione un soporte auxiliar para la pieza de trabajo en la parte trasera y/o los lados de**

la mesa de la sierra en el caso de piezas de trabajo largas y/o anchas para mantenerlas niveladas. Una pieza de trabajo larga y/o ancha tiene tendencia a pivotar sobre el borde de la mesa y con ello causar pérdida de control, atoramiento de la hoja de sierra y retroceso.

- j. **Haga avanzar la pieza de trabajo a una velocidad uniforme. No curve ni tuerza la pieza de trabajo. Si ocurre atoramiento, apague inmediatamente la herramienta, desenchúfela y luego despeje el atoramiento.** Si la hoja de sierra se atora en la pieza de trabajo, el resultado puede ser retroceso o que el motor se detenga.
- k. **No retire los pedazos de material cortado mientras la sierra esté en funcionamiento.** Es posible que el material resulte atrapado entre el tope-guía para cortar al hilo o dentro del protector de la hoja de sierra y la hoja de sierra, con lo cual jalará los dedos del operador hacia la hoja de sierra. Apague la sierra y espere hasta que la hoja de sierra se detenga antes de retirar el material.
- l. **Utilice un tope-guía auxiliar en contacto con el tablero de la mesa cuando corte al hilo piezas de trabajo de menos de 2 mm (0,08 de pulgada) de grosor.** Es posible que una pieza de trabajo delgada forme una cuña debajo del tope-guía para cortar al hilo y cree un retroceso.

3. Causas del retroceso y advertencias relacionadas

El retroceso es una reacción repentina de la pieza de trabajo debido a una hoja de sierra pellizcada o atorada, una línea de corte desalineada en la pieza de trabajo respecto a la hoja de sierra o cuando una parte de la pieza de trabajo se atora entre la hoja de sierra y el tope-guía para cortar al hilo u otro objeto fijo.

Con más frecuencia durante el retroceso, la pieza de trabajo es elevada de la mesa por la parte trasera de la hoja de sierra y es propulsada hacia el operador.

El retroceso es el resultado de un uso incorrecto de la sierra y/o procedimientos o situaciones de utilización incorrectos, y se puede evitar tomando las precauciones adecuadas, tal y como se indica a continuación.

- a. **No se sitúe nunca directamente en línea con la hoja de sierra. Posicione siempre el cuerpo en el mismo lado de la hoja de sierra que el tope-guía.** Es posible que un retroceso propulse la pieza de trabajo a alta velocidad

Instrucciones de seguridad para sierras de mesa

hacia cualquier persona que esté ubicada delante de la hoja de sierra y en línea con ella.

- b. **No ponga nunca las manos sobre la hoja de sierra ni detrás de ella para jalar o soportar la pieza de trabajo.** Es posible que se produzca un contacto accidental con la hoja de sierra o puede que un retroceso arrastre los dedos del operador hacia la hoja de sierra.
- c. **No sujete ni presione nunca la pieza de trabajo que se esté cortando contra la hoja de sierra que rota.** Si se presiona la pieza de trabajo que se esté cortando contra la hoja de sierra se creará una situación de atoramiento y retroceso.
- d. **Alinee el tope-guía para que esté paralelo a la hoja de sierra.** Un tope-guía desalineado pellicará la pieza de trabajo contra la hoja de sierra y creará retroceso.
- e. **Utilice una tabla de canto biselado para guiar la pieza de trabajo contra la mesa y el tope-guía cuando realice cortes no pasantes, tales como cortes de rebajos, cortes de mortajas o cortes de reaserrado.** Una tabla de canto biselado ayuda a controlar la pieza de trabajo en caso de retroceso.
- f. **Tenga precaución adicional cuando realice un corte en áreas ciegas de piezas de trabajo ensambladas.** Es posible que la hoja de sierra que sobresale corte objetos que pueden causar retroceso.
- g. **Soporte los paneles grandes para minimizar el riesgo de que la hoja de sierra sufra un pellicamiento y experimente retroceso.** Los paneles grandes tienden a arquearse bajo su propio peso. Se deben colocar uno o más soportes debajo de todas las partes del panel que sobresalgan del tablero de la mesa.
- h. **Tenga precaución adicional cuando corte una pieza de trabajo que esté torcida, tenga nudos, esté combada o no tenga una regla de borde recto para guiarla con un calibre de ingletes o a lo largo del tope-guía.** Una pieza de trabajo combada, con nudos o torcida es inestable y causa desalineación de la sección de corte con la hoja de sierra, atoramiento y retroceso.
- i. **No corte nunca más de una pieza de trabajo, apilada vertical u horizontalmente.** La hoja de sierra podría recoger una o más piezas y causar retroceso.
- j. **Cuando rearranque la sierra con la hoja de sierra en la pieza de trabajo, centre dicha hoja en la sección de corte de manera que los dientes de la sierra no estén acoplados en el material.** Si la hoja de sierra se atora, es posi-

ble que levante la pieza de trabajo y cause retroceso al rearrancar la sierra.

- k. **Mantenga las hojas de sierra limpias, afiladas y con un triscado suficiente. No utilice nunca hojas de sierra combadas ni hojas de sierra con dientes agrietados o rotos.** Las hojas de sierra afiladas y con un triscado adecuado minimizan el atoramiento, la detención del motor y el retroceso. La limpieza para eliminar la sabia o el plástico que se acumulen en las puntas de la hoja reducirá el sobrecalentamiento y el atoramiento de la hoja. Cuando corte materiales de plástico, evite derretir el plástico.
- l. **No libere la pieza de trabajo hasta que la haya empujado completamente más allá de la hoja de sierra.** Si no se hace así, es posible que se causen retroceso y lesiones corporales.
- m. **No confine la pieza que se esté cortando cuando corte al hilo o transversalmente.** Al confinar la pieza que se esté cortando cuando corte al hilo o transversalmente, es posible que se causen retroceso y lesiones corporales.
- n. **Reemplace o afile los trinquetes antirretroceso cuando las puntas se desafilan.** Los trinquetes antirretroceso afilados minimizan el retroceso.
- o. **Mantenga el protector de la hoja de sierra, la cuchilla separadora y los trinquetes antirretroceso instalados adecuadamente y funcionando correctamente.** La cuchilla separadora debe estar alineada con la hoja de sierra y los trinquetes deben detener un retroceso una vez que este haya comenzado. Compruebe su acción antes de cortar al hilo. Al mantener estas piezas funcionando correctamente se minimiza el retroceso.

4. Advertencias para los procedimientos de utilización de la sierra de mesa

- a. **Apague la sierra de mesa y desconecte el cable de alimentación cuando retire el accesorio de inserción de la mesa, cambie la hoja de sierra o haga ajustes a la cuchilla separadora, el dispositivo antirretroceso o el protector de la hoja de la sierra, y cuando la máquina se deje desatendida.** Las medidas de precaución evitarán accidentes.
- b. **No deje nunca desatendida la sierra de mesa mientras esté en funcionamiento.** Apáguela y no deje la herramienta hasta que se haya detenido por completo. Una sierra que esté funcionando desatendida es un peligro incontrolado.

Instrucciones de seguridad para sierras de mesa

- c. **Ubique la sierra de mesa en un área bien iluminada y nivelada en la que usted pueda mantener un buen apoyo de los pies y un buen equilibrio. La sierra se deberá instalar en un área que ofrezca suficiente espacio para manejar fácilmente el tamaño de la pieza de trabajo.** Las áreas estrechas y oscuras, así como los pisos resbalosos, invitan a que se produzcan accidentes.
- d. **Elimine y retire frecuentemente el aserrín de debajo de la mesa de la sierra y/o el dispositivo de recolección de polvo.** El aserrín acumulado es combustible y es posible que se autoincendie.
- e. **La sierra de mesa se debe sujetar firmemente.** Es posible que una sierra de mesa que no esté correctamente sujeta se mueva o se voltee.
- f. **Retire las herramientas, los pedazos de madera de desecho, etc., de la mesa antes de encender la sierra de mesa.** Una distracción o un atoramiento potencial pueden ser peligrosos.
- g. **Utilice siempre hojas de sierra con el tamaño correcto y la forma correcta (adamentados frente a redondos) de los agujeros para el eje portaherramienta.** Las hojas de sierra que no coincidan con los herrajes de montaje de la sierra girarán descentradas, con lo cual causarán pérdida de control.
- h. **No utilice nunca medios de montaje de la hoja de sierra que estén dañados o sean incorrectos, tales como pestañas, arandelas de hoja de sierra, pernos o tuercas.** Estos medios de montaje se diseñaron especialmente para su sierra con el fin de que funcione de manera segura y brinde un rendimiento óptimo.
- i. **No se suba nunca a la sierra de mesa; no la utilice como taburete-escalera.** Podrían ocurrir lesiones graves si la herramienta se inclina o en caso de contacto accidental con la herramienta de corte.
- j. **Asegúrese de que la hoja de sierra esté instalada para rotar en el sentido correcto. No utilice ruedas de amolar, cepillos de alambre ni ruedas abrasivas en una sierra de mesa.** Es posible que una instalación incorrecta de la hoja de sierra o el uso de accesorios no recomendados cause lesiones graves.
- k. **Utilice únicamente accesorios que estén recomendados por el fabricante para su modelo.** Es posible que los accesorios que sean adecuados para una herramienta se vuelvan peligrosos cuando se utilicen en otra herramienta.
- l. **Si la hoja de sierra se detiene o se atora en la pieza de trabajo, APAGUE la sierra y elimine el motivo de la detención o el atoramiento antes de rearmar la sierra. Retire la pieza de trabajo de la hoja de sierra y reemplácela si se está atorando. Compruebe si la hoja de sierra está paralela a las ranuras o acanaladuras de la mesa y si la cuchilla separadora está alineada adecuadamente con la hoja de sierra.** Si en ese momento está cortando al hilo, compruebe si el tope-guía para cortar al hilo se encuentra paralelo a la hoja de sierra. Reajústelo tal y como se indica.
- m. **No retire pedazos pequeños de material cortado que puedan quedar atrapados dentro del protector de la hoja mientras la sierra esté en funcionamiento. APAGUE la sierra y espere hasta que la hoja se detenga.** La retirada de dichos pedazos mientras la sierra esté en funcionamiento podría poner en peligro las manos del operador o causar un retroceso.
- n. **Las operaciones de corte transversal se realizan de manera más conveniente y con mayor seguridad si se coloca un refrentado de madera auxiliar en el calibre de ingletes.** Consulte la página 136.
- o. **No utilice ninguna hoja u otra herramienta de corte marcada para una velocidad de funcionamiento inferior a 3650 R.P.M.** La utilización de una hoja u otra herramienta de corte que tenga una capacidad nominal menor podría causar lesiones corporales. No utilice nunca una herramienta de corte cuyo diámetro sea mayor que el diámetro para el cual se diseñó la sierra. Para lograr la mayor seguridad y eficiencia al cortar al hilo, utilice la hoja de diámetro máximo para la cual la sierra está diseñada, ya que en esas condiciones es cuando la cuchilla separadora está más cerca de la hoja.
- p. **Asegúrese de que el accesorio de inserción de la mesa esté al ras con la superficie de la mesa o ligeramente por debajo de dicha superficie en todos los lados, excepto el posterior. No utilice NUNCA la sierra a menos que el accesorio de inserción adecuado se encuentre instalado.** La utilización de la sierra sin el accesorio de inserción adecuado puede causar retroceso y lesiones corporales.

Normas de seguridad adicionales

Desarrolle un programa de mantenimiento periódico para su herramienta. Cuando limpie una herramienta, tenga cuidado de no desmontar ninguna parte de la misma, ya que es posible que los cables internos se coloquen incorrectamente o resulten pellizcados, o que los resortes de retorno del protector de seguridad se monten incorrectamente. Es posible que ciertos agentes de limpieza, tales como gasolina, tetracloruro de carbono, amoníaco, etc., dañen las piezas de plástico.

⚠ ADVERTENCIA Cierta polvo generado por el lijado, aserrado, amolado y taladrado mecánicos, y por otras actividades de construcción, contiene agentes químicos que se sabe que causan cáncer, defectos de nacimiento u otros daños sobre la reproducción. Algunos ejemplos de estos agentes químicos son:

- Plomo de pinturas a base de plomo,
- Sílice cristalina de ladrillos y cemento y otros productos de mampostería, y
- Arsénico y cromo de madera tratada químicamente.

Su riesgo por causa de estas exposiciones varía, dependiendo de con cuánta frecuencia realice este tipo de trabajo. Para reducir su exposición a estos agentes químicos: trabaje en un área bien ventilada y trabaje con equipo de seguridad aprobado, como

por ejemplo máscaras antipolvo que estén diseñadas especialmente para impedir mediante filtración el paso de partículas microscópicas.

PIENSE EN LA SEGURIDAD

LA SEGURIDAD ES UNA COMBINACIÓN DE SENTIDO COMÚN POR PARTE DEL OPERADOR Y DE ESTAR ALERTA EN TODO MOMENTO CUANDO SE ESTÉN UTILIZANDO HERRAMIENTAS ELÉCTRICAS.

GUARDE ESTAS INSTRUCCIONES

Uso previsto

⚠ ADVERTENCIA Utilice esta sierra de mesa solo tal y como está previsto. Es posible que un uso no autorizado cause lesiones corporales y daños materiales.

Esta sierra de mesa está diseñada para aplicaciones profesionales de corte al hilo, corte transversal, corte a inglete, corte en bisel y corte en pasante en diversos materiales.

No utilice esta sierra de mesa para cortar metales, tales como aluminio o cobre, o cualquier material de mampostería o de cemento.


No utilice juegos de mortajar oscilantes o ajustables con esta sierra de mesa.

No realice cortes cónicos sin un accesorio posicionador cónico.

Especificaciones

Tensión	120V~ 60Hz
Amperaje	15A
Velocidad sin carga	3650/min (RPM)
Diámetro de la hoja	Ø10" (254mm)
Corte al hilo a la derecha, posición cerrada	14-1/2" (368 mm)
Corte al hilo a la derecha, posición extendida	30" (760 mm)
Corte al hilo a la izquierda	9-1/4" (235 mm)
Profundidad de corte a 90°	3-1/8" (79 mm)
Profundidad de corte a 45°	2-1/4" (57mm)
Intervalo de bisel ajustado en la fábrica	0° / 45°
Intervalo de bisel sin topes	-2° / 47°
Diámetros de hoja de mortajar	8" (203 mm) and 6" (152 mm)
Anchura máxima del apilamiento de mortajar	13/16" (20,6 mm)

Herramientas con aislamiento doble

El aislamiento doble  es un concepto de diseño utilizado en las herramientas mecánicas eléctricas que elimina la necesidad de un cordón de energía de tres cables conectado a tierra y de un sistema de fuente de energía conectado a tierra. Es un sistema reconocido y aprobado por Underwriter's Laboratories, la CSA y las autoridades federales de la OSHA.

IMPORTANTE: El servicio de ajustes y reparaciones de una herramienta con aislamiento doble requiere cuidado y conocimiento del sistema y deberá ser realizado únicamente por un técnico de servicio competente.

DURANTE EL SERVICIO DE AJUSTES Y REPARACIONES, UTILICE ÚNICAMENTE PIEZAS DE REPUESTO IDENTICAS.

ENCHUFES POLARIZADOS. Para reducir el riesgo de sacudidas eléctricas, su herramienta está equipada con un enchufe polarizado (una terminal es más ancha que la otra), este enchufe entrará en un tomacorriente polarizado solamente de una manera. Si el enchufe no entra por completo en el tomacorriente, déle la vuelta. Si sigue sin entrar, póngase en contacto con un electricista competente para instalar el tomacorriente adecuado. Para reducir el riesgo de sacudidas eléctricas, no haga ningún tipo de cambio en el enchufe.

Cordones de extensión

Sustituya los cordones dañados inmediatamente. La utilización de cordones dañados puede causar sacudidas, quemar o electrocutar.

Si se necesita un cordón de extensión, se debe utilizar un cordón con conductores de tamaño adecuado para prevenir caídas de tensión excesivas, pérdidas de potencia o sobrecalentamiento. La tabla muestra el tamaño correcto a utilizar, según la longitud del cordón y la capacidad nominal en amperios indicada en la placa del fabricante de la herramienta. En caso de duda, utilice la medida más gruesa siguiente. Utilice siempre cordones de extensión catalogados por U.L. y la CSA.

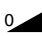


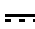
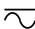


TAMAÑOS RECOMENDADOS DE CORDONES DE EXTENSION HERRAMIENTAS DE 120 V CORRIENTE ALTERNA

Capacidad nominal en amperios de la herramienta	Tamaño del cordón en A.W.G.				Tamaños del cable en mm ²			
	Longitud del cordón en pies				Longitud del cordón en metros			
	25	50	100	150	15	30	60	120
3-6	18	16	16	14	0.75	0.75	1.5	2.5
6-8	18	16	14	12	0.75	1.0	2.5	4.0
8-10	18	16	14	12	0.75	1.0	2.5	4.0
10-12	16	16	14	12	1.0	2.5	4.0	-
12-16	14	12	-	-	-	-	-	-

NOTA: Cuanto más pequeño sea el número de calibre, más alta será la capacidad del cordón.

Símbolos

Importante: Es posible que algunos de los símbolos siguientes se usen en su herramienta. Por favor, estúdielos y aprenda su significado. La interpretación adecuada de estos símbolos le permitirá utilizar la herramienta mejor y con más seguridad.

Símbolo	Désignación / Explicación
V	Volt (tensión)
A	Ampere (corriente)
Hz	Hertz (frecuencia, ciclos por segundo)
W	Watt (potencia)
kg	Kilogramo (peso)
min	Minuto (tiempo)
s	Segundo (tiempo)
PCM	Pies cúbicos por minuto [o pies ³ /min] (caudal de aire)
∅	Diámetro (tamaño de las brocas taladradoras, muelas, etc)
n_0	Velocidad sin carga (velocidad rotacional sin carga)
n	Velocidad nominal (máxima velocidad obtenible)
.../min	Revoluciones o alternación por minuto (revoluciones, golpes, velocidad de superficie, órbitas, etc., por minuto)
0	Posición "off" (velocidad cero, par motor cero...)
1, 2, 3, ... I, II, III,	Graduaciones del selector (graduaciones de velocidad, par motor o posición. Un número más alto significa mayor velocidad)
	Selector infinitamente variable con apagado (la velocidad aumenta desde la graduación de 0)
	Flecha (Acción en la dirección de la flecha)
	Corriente alterna (tipo o una característica de corriente)
	Corriente continua (tipo o una característica de corriente)
	Corriente alterna o continua (tipo o una característica de corriente)
	Construcción de clase II (designa las herramientas de construcción con aislamiento doble)
	Terminal de toma de tierra (terminal de conexión a tierra)

Símbolos

Importante: Es posible que algunos de los símbolos siguientes se usen en su herramienta. Por favor, estúdielos y aprenda su significado. La interpretación adecuada de estos símbolos le permitirá utilizar la herramienta mejor y con más seguridad.

Símbolo	Désignación / Explicación
	Alerta al usuario para que lea el manual.
	Alerta al usuario para que use protección de los ojos.
	Este símbolo indica que esta herramienta está catalogada por Underwriters Laboratories.
	Este símbolo indica que este componente está reconocido por Underwriters Laboratories.
	Este símbolo indica que Underwriters Laboratories ha catalogado esta herramienta indicando que cumple con las normas estadounidenses y canadienses.
	Este símbolo indica que esta herramienta está catalogada por la Canadian Standards Association.
	Este símbolo indica que la Canadian Standards Association ha catalogado esta herramienta indicando que cumple con las normas estadounidenses y canadienses.
	Este símbolo indica que Intertek Testing Services ha catalogado esta herramienta indicando que cumple con las normas estadounidenses y canadienses.
	Este símbolo indica que esta herramienta cumple con la norma mexicana oficial (NOM).
	Designa el programa de reciclaje de baterías de Li-ion.
	Designa el programa de reciclaje de baterías de Ni-Cd.

Familiarización con la sierra de mesa

1. INTERRUPTOR DE ENCENDIDO

El interruptor incorpora una aldaba de cierre para utilizarse con un candado con el fin de prevenir arranques accidentales.

2. MESA

Proporciona una superficie de trabajo grande para apoyar la pieza de trabajo.

3. BASE / SUBBASE

Soporta la sierra de mesa. La subbase proporciona estabilidad y capacidad adicional para deslizarse fácilmente sobre las superficies. La base cuenta con agujeros para empernar la sierra a un banco de trabajo o una base de soporte.

4. MANGO DE FIJACION DE LA INCLINACION DE LA HOJA

Fija el mecanismo de inclinación después que se ha ajustado la hoja en la posición deseada.

5. EXTENSION DE LA MESA

Proporciona una superficie de trabajo más grande para piezas de trabajo más largas.

6. MANGO DE FIJACION DE LA EXTENSION DE LA MESA

Permite fijar la extensión de la mesa a las distancias deseadas.

7. RUEDA DE ELEVACION

Sube o baja la hoja. Utilice la sierra con el mango de fijación del bisel de la hoja 4 para inclinar la hoja de 0 a 45 grados.

8. ESCALA DE INCLINACION DE LA HOJA

Muestra el grado de inclinación de la hoja.

9. ESCALA DEL TOPE-GUIA PARA CORTAR AL HILO

Muestra la distancia desde la hoja hasta el tope-guía para cortar al hilo a través de una conveniente ventana de visualización y aumento. La porción inferior de la escala puede utilizarse hasta 14,5 pulgadas. La porción superior de la escala se utiliza para hacer cortes más allá de 14,5 pulgadas.

10. CALIBRE DE INGLETES

La cabeza se puede fijar en el ángulo deseado para cortar transversalmente o para cortar a inglete apretando el pomo de fijación. FIJELO FIRMEMENTE SIEMPRE QUE LO UTILICE.

11. AREA PARA GUARDAR EL TOPE-GUIA PARA CORTAR AL HILO

Guarda de manera práctica el tope-guía para cortar al hilo cuando no se está utilizando.

12. UBICADOR DE PRECORTE

Permite marcar y ubicar exactamente el lugar donde la hoja penetrará en la pieza de trabajo.

13. AREA PARA GUARDAR EL CALIBRE DE INGLETES

Guarda de manera práctica el calibre de ingletes cuando no se está utilizando.

14. ÁREA DE ALMACENAMIENTO DE LAS HOJAS Y LA LLAVE DE TUERCA

Permite almacenar hojas de 10" y la llave de tuerca para el eje portaherramienta.

15. LLAVE HEXAGONAL Y AREA DE ALMACENAMIENTO

Llave hexagonal para quitar el protector de la hoja y ajustar diversas cabezas hexagonales en la sierra.

16. ENROLLADOR DEL CORDON

Permite enrollar fácilmente el cordón de manera que no estorbe durante el transporte o almacenamiento de la herramienta.

17. CONEXION DE ASPIRACION

La sierra de mesa está equipada con una conexión de aspiración. Este dispositivo permite conectar cualquier manguera de aspiración de 2-1/4" al orificio para polvo provisto para retirar el serrín de manera conveniente.

18. TOPE-GUIA PARA CORTAR LA HILO

El exclusivo tope-guía para cortar al hilo de alineación automática y colocación rápida se puede mover o fijar en su sitio rápidamente simplemente subiendo o bajando el mango de fijación.

19. SISTEMA DE PROTECTOR INTELIGENTE SMART GUARD

Consiste en tres elementos clave: Cuchilla separadora ajustable (3 posiciones), dispositivo antirretroceso y dispositivo de protector de barrera. Todos estos elementos son parte de un sistema modular que no requiere herramientas para ensamblarlo o desensamblarlo. Este sistema de protector debe estar colocado siempre y funcionar correctamente para todos los cortes de aserrado pasante.

20. ALMACENAMIENTO DEL SISTEMA SMART GUARD

Cuando no se esté utilizando, el protector de barrera principal y el dispositivo antirretroceso se pueden almacenar debajo de la extensión de la mesa del lado derecho.

21. ACCESORIO DE INSERCIÓN DE LA MESA

Es extraíble para quitar o instalar la hoja u otras herramientas de corte.

22. PALO DE EMPUJAR

Permite cortar al hilo piezas más pequeñas de material con un mayor nivel de seguridad.

23. SOPORTE PARA EL PALO DE EMPUJAR

Almacena de manera segura el palo de empujar cuando no se está usando.

24. AGUJEROS DE MONTAJE

Se utilizan para sujetar firmemente la sierra a una base de soporte o un banco de trabajo.

25. TOPE-GUÍA PARA PIEZAS DE TRABAJO DELGADAS

Se utiliza cuando se cortan al hilo piezas de trabajo de 1/8 de pulgada o más delgadas.

Familiarización con la sierra de mesa

26. ÁREA DE ALMACENAMIENTO DEL TOPE-GUÍA PARA PIEZAS DE TRABAJO DELGADAS

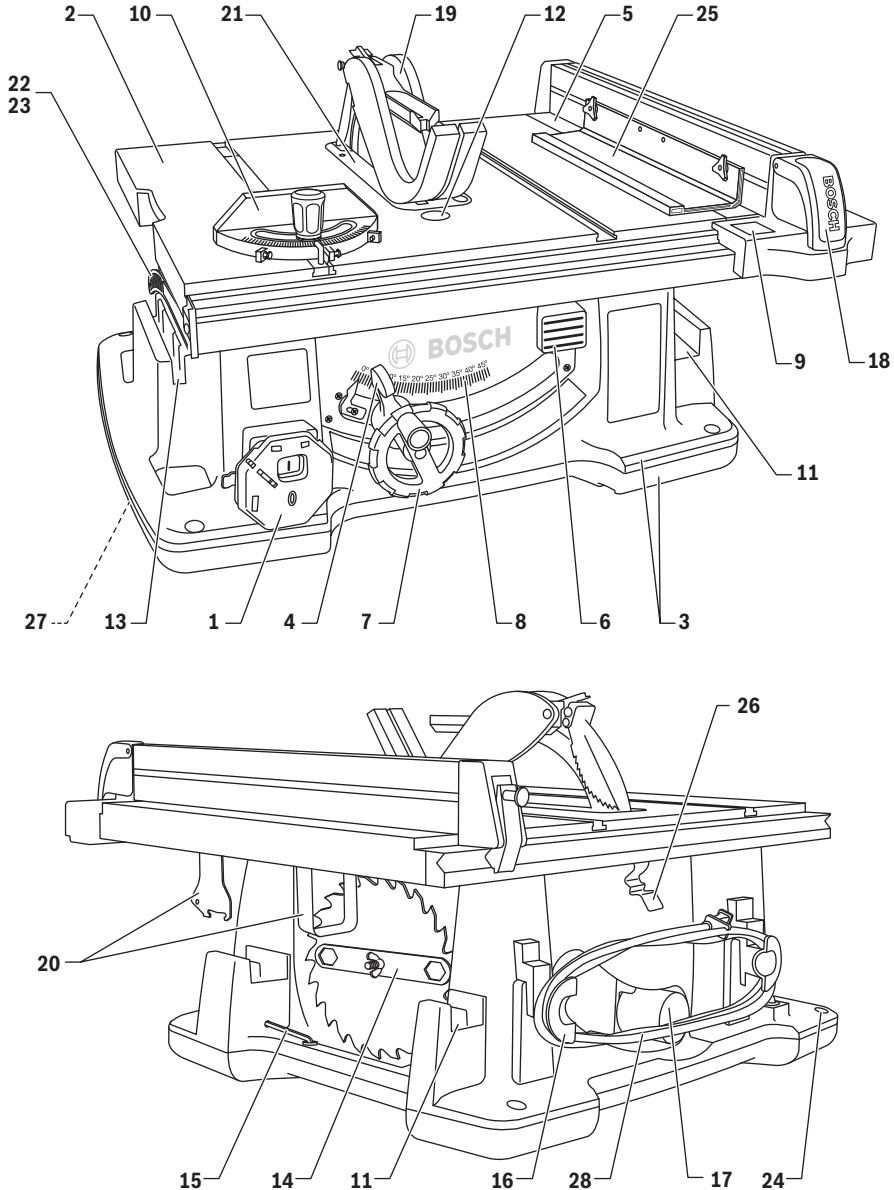
Se utiliza para almacenar el tope-guía para piezas de trabajo delgadas en combinación con los enrolladores de cordón 16.

27. REJILLA INFERIOR

Instalada en el lado inferior de la base, la rejilla inferior previene el acceso accidental al interior de la sierra.

28. CORDÓN DE ENERGÍA

Fig. 1



Glosario de términos

DISPOSITIVO ANTIRRETROCESO (conocido también como retenedores o trinquetes): Trinquetes accionados por resorte que se acoplan a la pieza de trabajo mientras se hace que ésta avance a través de la sierra. Restringen el movimiento de la pieza de trabajo hacia atrás, en dirección al operador.

EJE PORTAHERRAMIENTA: El eje en el cual se monta una herramienta de corte.

PROTECTOR DE BARRERA: Un ensamblaje que consiste en la horquilla de montaje y dos barreras laterales. Este ensamblaje está diseñado para ofrecer una barrera física entre el operador y la hoja de sierra que gira.

BISEL: El ángulo de la hoja en relación con la superficie de la mesa.

CORTE TRANSVERSAL: Una operación de corte o conformado que se realiza transversalmente a la anchura de la pieza de trabajo, que corta la pieza de trabajo con la longitud que se necesita.

MORTAJA: Un corte no pasante que produce una muesca o acanaladura de lados en ángulo recto en la pieza de trabajo.

TABLA CON CANTO BISELADO: Un dispositivo que puede ayudar a guiar las piezas de trabajo durante una operación del tipo de corte al hilo, manteniendo la pieza de trabajo en contacto con el tope-guía para cortar al hilo. También ayuda a prevenir el retroceso.

A PULSO: La realización de un corte sin utilizar un tope-guía, un calibre de ingletes, un dispositivo de fijación, un accesorio de sujeción u otro dispositivo adecuado para evitar que la pieza de trabajo se tuerza durante el corte y pueda constituir un peligro para la seguridad.

GOMA: Un residuo pegajoso a base de savia de productos de madera. Después de endurecerse se le conoce como "RESINA".

TALONAJE: Desalineación de la hoja que hace que el lado posterior o de salida de la hoja entre en contacto con la superficie cortada de la pieza de trabajo. El talonaje puede causar retroceso, atoramiento, fuerza excesiva, quemadura de la pieza de trabajo o astillamiento. En general, el talonaje produce un corte de mala calidad y puede constituir un peligro para la seguridad.

SECCIÓN DE CORTE: El espacio de la pieza de trabajo donde la hoja retiró el material.

RETROCESO: Un agarre y un lanzamiento incontrolados de la pieza de trabajo hacia atrás, hacia la parte delantera de la sierra, durante una operación del tipo de corte al hilo.

EXTREMO DE AVANCE: El extremo de la pieza de trabajo que, durante una operación del tipo de corte al hilo, es empujado primero hacia la herramienta de corte.

MOLDURA: Un corte no pasante que produce una forma especial en la pieza de trabajo utilizada para realizar uniones o decoración.

ASERRADO NO PASANTE: Toda operación de corte en la cual la hoja no atraviesa completamente la pieza de trabajo (p. ej., corte de mortajas, corte de rebajos).

PARALELO: Posición del tope-guía para cortar al hilo igual en distancia en cada punto respecto a la cara lateral de la hoja de sierra.

PERPENDICULAR: Intersección o posición a 90° (ángulo recto) de los planos vertical y horizontal, como por ejemplo la posición de la hoja de sierra (vertical) respecto a la superficie de la mesa (horizontal).

BLOQUE DE EMPUJAR: Un dispositivo que se utiliza para operaciones del tipo de corte al hilo demasiado estrechas para permitir el uso de un palo de empujar. Utilice un bloque de empujar para anchuras de corte al hilo de menos de 2 pulgadas.

PALO DE EMPUJAR: Un dispositivo que se utiliza para hacer avanzar la pieza de trabajo a través de la sierra durante una operación del tipo de corte al hilo estrecha y que ayuda a mantener las manos del operador suficientemente alejadas de la hoja. Utilice un palo de empujar para anchuras de corte al hilo de menos de 6 pulgadas y más de 2 pulgadas.

REBAJO: Una muesca en el borde de la pieza de trabajo. También se le llama mortaja de borde.

REVOLUCIONES POR MINUTO (R.P.M.): El número de vueltas que un objeto que gira completa en un minuto.

CORTE AL HILO: Una operación de corte a lo largo de la longitud de la pieza de trabajo que corta dicha pieza con la anchura que se necesita.

CUCHILLA SEPARADORA O SEPARADOR: Un dispositivo que mantiene la sección de corte de la pieza de trabajo abierta mientras se corta el material. Esto minimiza el potencial de que la pieza de trabajo se atore contra la hoja de sierra.

PROTECTOR INTELIGENTE SMART GUARD: Un sistema integrado por 3 componentes: Cuchilla separadora / separador, dispositivo antirretroceso y protector de barrera principal.

ASERRADO PASANTE: Toda operación de corte en la cual la hoja atraviesa completamente la pieza de trabajo.

PIEZA DE TRABAJO: El objeto en el cual se está realizando la operación de corte. Las superficies de una pieza de trabajo se conocen comúnmente como caras, extremos y bordes.

RECHAZO: Evento que ocurre cuando un pequeño pedazo cortado es enganchado por la parte posterior de la hoja y lanzado al aire hacia el operador.

Desempaquetado y comprobación del contenido

⚠ ADVERTENCIA Para evitar lesiones debidas al arranque inesperado o a sacudidas eléctricas, no enchufe el cordón de energía en una fuente de energía. Este cordón debe permanecer desenchufado cuando usted esté trabajando en la sierra de mesa.

⚠ ADVERTENCIA Si falta alguna pieza, no intente ensamblar la sierra de mesa, enchufar el cordón de energía ni encender el interruptor (posición "ON") hasta que las piezas que faltan hayan sido obtenidas e instaladas correctamente.

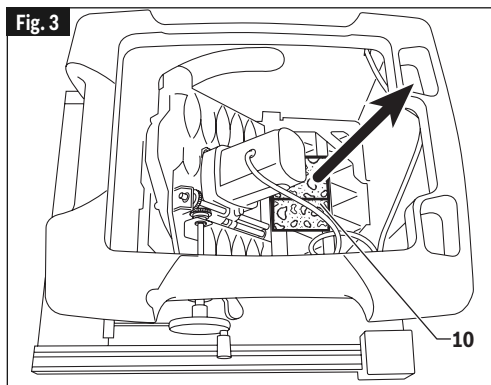
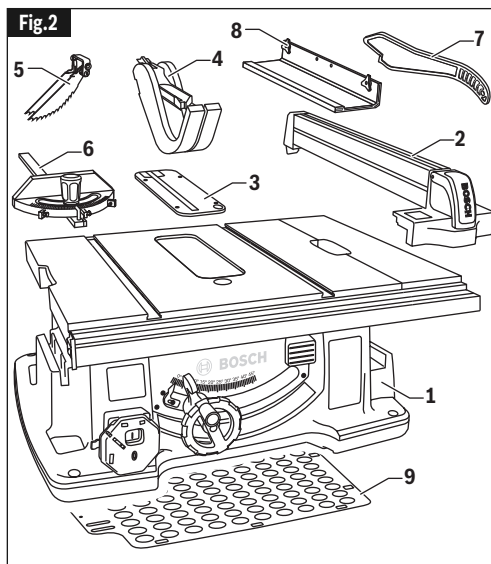
La sierra de mesa modelo 4100XC se envía completa en una caja de cartón.

Separe todas las piezas sueltas de los materiales de empaquetamiento y compruebe cada una utilizando la ilustración y la lista de piezas sueltas para asegurarse de que no falta ningún artículo antes de tirar cualquier material de empaquetamiento (Fig. 3).

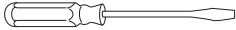
TABLA DE PIEZAS SUELTAS

ARTICULO	DESCRIPCION	CANT.
1	Ensamblaje de la sierra de mesa	1
2	Tope-guía para cortar al hilo	1
3	Accesorio de insercion de la mesa	1
4	Protector de la hoja	1
5	Dispositivo antirretroceso	1
6	Calibre de ingletes	1
7	Palo de empujar	1
8	Tope-guía para cortar al hilo piezas delgadas	1
9	Rejilla inferior	1
10	Bloque de espuma de estireno (solo para fines de envío)	1

NOTA: Quite el bloque de espuma de estireno 10 (que se usa sólo para fines de envío) ubicado entre la mesa y el motor (Fig. 3). Puede causar daños al sistema de elevación de la hoja si intenta subir la hoja sin haber quitado la espuma de estireno.



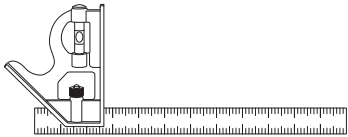
Herramientas necesarias para el ensamblaje



DESTORNILLADOR
MEDIANO



DESTORNILLADOR
PHILLIPS



ESCUADRA DE COMBINACION

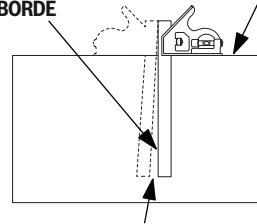


LLAVE DE TUERCA DE 10mm
O LLAVE DE TUERCA
AJUSTABLE

LA ESCUADRA DE COMBINACION DEBE ESTAR ALINEADA

TRACE UNA LÍNEA LIGERA SOBRE LA TABLA A LO LARGO DE ESTE BORDE

BORDE RECTO DE LA TABLA DE 3/4" DE GROSOR. ESTE BORDE DEBE SER PERFECTAMENTE RECTO.



NO DEBE HABER ESPACIO NI SUPERPOSICION AQUI CUANDO SE DE LA VUELTA A LA ESCUADRA EN LA POSICION DE LA LINEA DE PUNTOS.

⚠ ADVERTENCIA

Desconecte el enchufe de la fuente de energía antes de realizar cualquier ensamblaje, ajuste o reparación para evitar posibles lesiones.

Ensamblaje

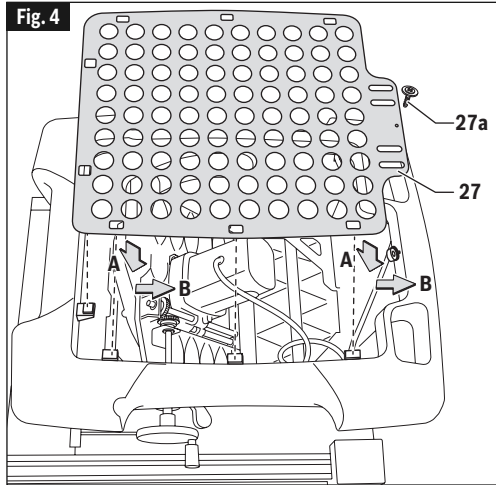
Instalación de la rejilla inferior

⚠ ADVERTENCIA Desconecte el enchufe de la fuente de energía antes de realizar cualquier ensamblaje o ajuste, o cambiar accesorios.

Después de retirar el bloque de espuma de estireno (vea la Fig. 3), alinee los agujeros de montaje de la rejilla con las lengüetas de montaje de la base.

Baje la rejilla **27** (**A**), deslícela hacia la derecha (**B**) y luego fíjela con un tornillo **27a** (Fig. 4).

Inspeccione periódicamente la rejilla inferior para comprobar si hay residuos atrapados y límpiela si es necesario.



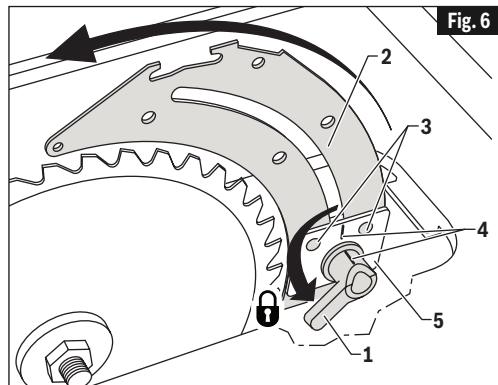
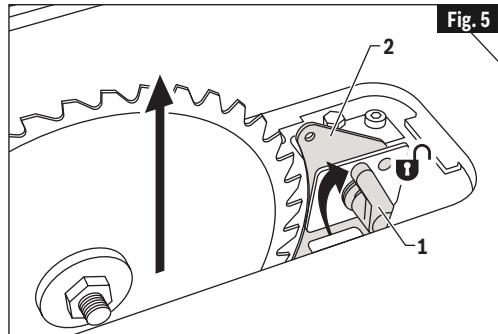
Instalación del sistema de protector inteligente Smart Guard

⚠ ADVERTENCIA Para evitar lesiones corporales, desconecte siempre el enchufe de la fuente de energía antes de instalar o retirar el sistema de protector inteligente Smart Guard.

POSICIONAMIENTO DE LA CUCHILLA SEPARADORA

⚠ ADVERTENCIA Asegure completamente la cuchilla separadora antes de utilizar la sierra de mesa. Es posible que una cuchilla separadora floja se deslice hacia la hoja y sea lanzada hacia usted.

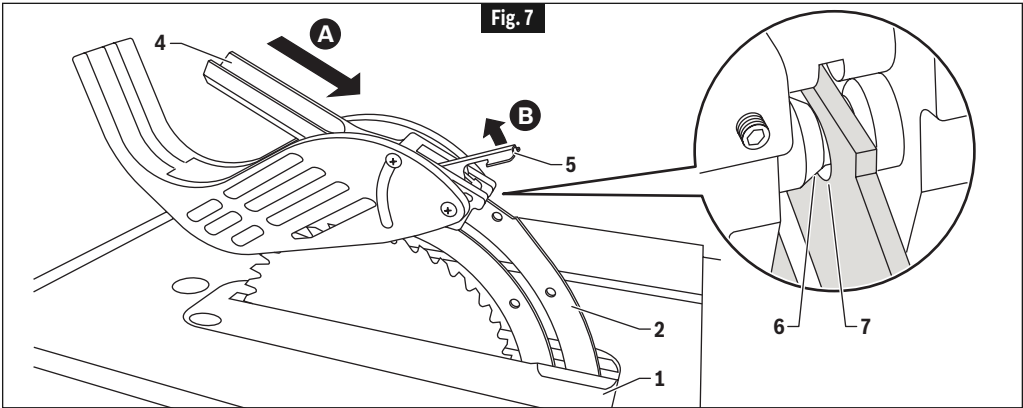
1. Retire el accesorio de inserción de la mesa **21** utilizando el agujero para el dedo (Fig. 1).
2. Suba la hoja tanto como se pueda rotando la rueda de elevación **7** en el sentido de las agujas del reloj y ajuste la hoja perpendicular a la mesa [0° en la escala de bisel] (Fig. 1).
3. Gire la palanca de liberación de la cuchilla separadora **1** en el sentido de las agujas del reloj para que señale hacia arriba (Fig. 5).
4. Tire de la cuchilla separadora **2** hacia la palanca de liberación para desacoplarla de las espigas **3**. (Fig. 6)
5. Deslice la cuchilla separadora **2** hacia



arriba hasta su posición más alta, de manera que esté directamente sobre el centro de la hoja (Fig. 6).

6. Alinee los agujeros de la cuchilla separadora con las espigas **3** y asegúrese de

Ensamblaje



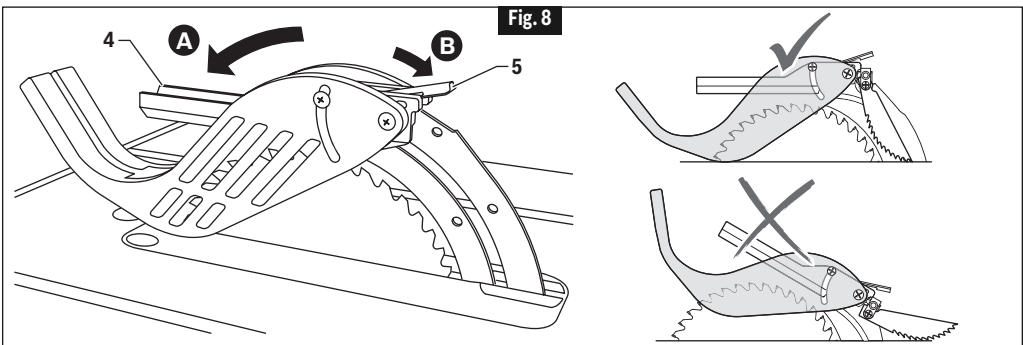
que dichas espigas se acoplen en los agujeros de la cuchilla separadora. Fije la palanca de liberación de la cuchilla separadora **1** rotándola en sentido contrario al de las agujas del reloj. Empuje firmemente la palanca de fijación para sujetar firmemente la cuchilla separadora y luego empuje/jale la cuchilla separadora para verificar que esté fija en la posición correcta. Las líneas indicadoras **4** ubicadas en la palanca y la abrazadera **5** deben estar alineadas de la manera que se muestra en la ilustración (Fig. 6).

7. Compruebe la alineación de la cuchilla separadora con la hoja antes de reemplazar el accesorio de inserción de la mesa e instalar el ensamblaje del protector (consulte la sección "Alineación de la cuchilla separadora" en la página 129). Si la cuchilla separadora no está alineada con la hoja, repita el proceso de posicionar la cuchilla separadora y asegúrese de que las espigas estén completamente acopladas en los agujeros de la cuchilla separadora.

8. Coloque de nuevo el accesorio de inserción de la mesa (Fig. 7).

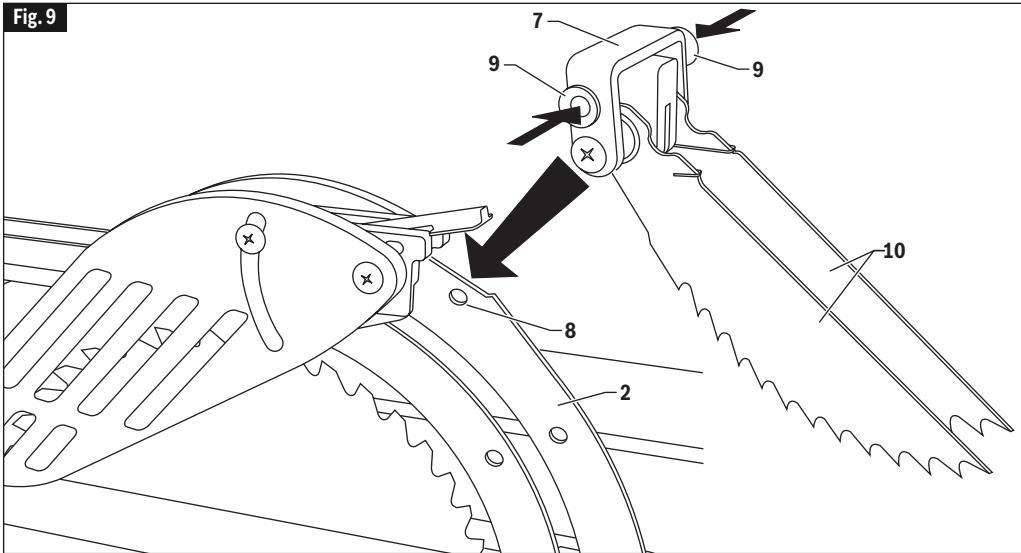
INSTALACIÓN DEL ENSAMBLAJE DEL PROTECTOR

9. Con una mano, agarre la parte delantera del ensamblaje del protector de barrera por la "horquilla" **4**. Con la otra mano, mantenga hacia arriba la palanca de liberación del protector **5** (Fig. 7).
10. Baje la parte trasera del ensamblaje del protector y deslice la barra transversal **6** hacia el interior de la muesca trasera **7** ubicada en la parte de arriba de la cuchilla separadora **2** (Fig. 7).
11. Baje la parte delantera del ensamblaje del protector hasta que la "horquilla" **4** esté paralela a la mesa (Fig. 8).
12. Presione hacia abajo sobre la palanca de liberación del protector **5** hasta que note y oiga que se acopla a presión en la posición de fijación. Asegúrese de



Ensamblaje

Fig. 9



que el ensamblaje del protector esté conectado de manera segura (Fig. 8).

INSTALACIÓN DEL DISPOSITIVO ANTIRRETROCESO

13. Instale el dispositivo antirretroceso **7** en el área rebajada plana **8** de la cuchilla separadora **2** (Fig. 9).
14. Oprima los pasadores de compresión **9** mientras acomoda el dispositivo en el área plana (Fig. 9).
15. Suelte los pasadores de compresión para que el dispositivo antirretroceso se bloquee sobre la cuchilla separadora inmediatamente detrás del ensamblaje del protector. Asegúrese de que la espiga de sujeción esté conectada de manera segura en el agujero de fijación. Suba y baje cuidadosamente los trinquetes **10**. Cuando los suelte, los trinquetes accionados por resorte deben bajar y entrar en contacto con el accesorio de inserción de la mesa (Fig. 9).

Consejo: Posicione el dispositivo antirretroceso detrás del área rebajada plana y deslícelo hacia la parte delantera hasta que caiga en el área rebajada. Luego, suelte las espigas de compresión.

Nota: Las dos instalaciones son independientes una de la otra, por lo que el dispositivo antirretroceso se puede instalar antes que el ensamblaje del protector.

Selección y cambio de la hoja

⚠ ADVERTENCIA Para prevenir lesiones corporales, desconecte siempre el enchufe de la fuente de alimentación antes de cambiar las hojas.

UTILIZACIÓN DE LA HOJA CORRECTA

IMPORTANTE: La hoja de sierra suministrada en esta herramienta tiene una anchura de sección de corte de 0,102 pulgadas (2,6mm) en las puntas de carburo y un grosor de placa (cuerpo) de 0,071 pulgadas (1,8mm). Cuando busque una hoja de repuesto, seleccione una que tenga dimensiones próximas a las de la hoja original. Es posible que esta información no esté impresa en el paquete de la hoja. Si no lo está, consulte el catálogo o el sitio Web del fabricante. Bosch ofrece una extensa línea de hojas de sierra profesionales de alta calidad que cumplen con los requisitos de esta herramienta. Usted debe seleccionar una hoja con una anchura de sección de corte de 0,092 pulgadas (2,3mm) o más y un grosor de placa (cuerpo) de 0,088 pulgadas (2,2mm) o menos.

⚠ ADVERTENCIA Para reducir el riesgo de lesiones, no utilice hojas de sierra con sección de corte extradelgada. La sección de corte de la hoja debe ser más ancha que 0,092 pulgadas (2,3mm). Las hojas de sierra con

Ensamblaje

ción de corte extradelgada (menos de 0,092 pulgadas [2,3mm]) pueden hacer que la pieza de trabajo se atore contra la cuchilla separadora durante la realización del corte. Se recomienda que la sección de corte de la hoja de repuesto utilizada en esta sierra sea de 0.092 pulgadas (2,3mm) o más.

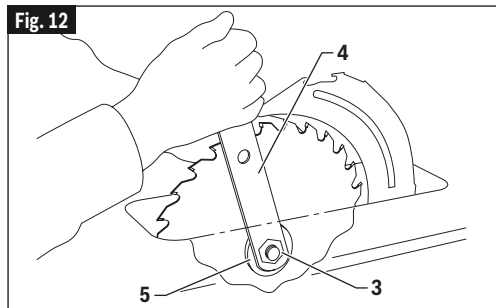
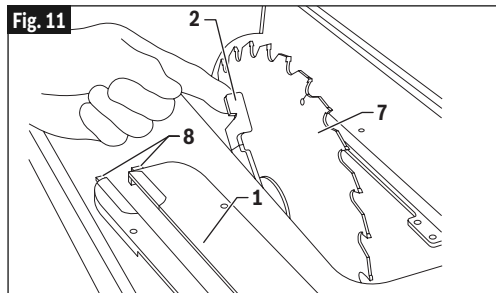
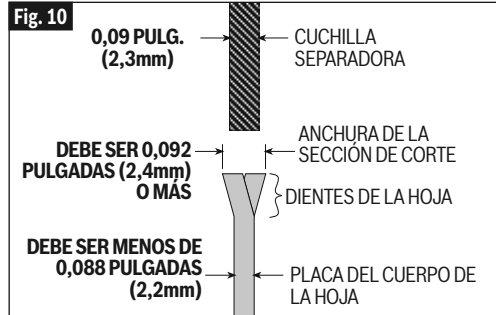
⚠ ADVERTENCIA Para reducir el riesgo de lesiones, no use hojas de sierra hechas con una placa de cuerpo gruesa. Si el grosor de la placa de la hoja de sierra de repuesto es mayor de 0,088 pulgadas (2,2mm), la cuchilla separadora no serviría adecuadamente como un auxiliar para reducir el retroceso. El grosor de la placa de la hoja de repuesto debe ser menos de 0,088 pulgadas (2,2mm).

⚠ ADVERTENCIA Para reducir el riesgo de lesiones, no use “amortiguadores,” “estabilizadores” o “collarines rigidizadores” de la hoja a ambos lados de una hoja de repuesto. Estos dispositivos son placas metálicas que se posicionan contra los lados de la hoja para reducir la desviación que puede ocurrir cuando se utilizan hojas de sierra delgadas. La utilización de estos dispositivos a ambos lados evitará que la hoja se alinee apropiadamente con la cuchilla separadora, lo cual puede atorar la pieza de trabajo durante la realización del corte. Se puede colocar una placa “estabilizadora” solamente contra el lado exterior de una hoja de repuesto delgada. Estas placas no se requieren con la hoja Bosch suministrada.

CAMBIO DE LA HOJA

⚠ PRECAUCIÓN Use siempre guantes cuando cambie o maneje las hojas. Las puntas de las hojas pueden causar lesiones corporales.

1. Gire la rueda de elevación **9** (Fig. 1) en el sentido de las agujas del reloj hasta que la hoja esté tan alta como se pueda y retire el accesorio de inserción de la mesa **1** utilizando el agujero para el dedo (Fig. 11).
2. Suba la palanca de fijación del eje portaherramienta **2** y gire lentamente la hoja a mano hasta que el cierre acople completamente el eje portaherramienta de la sierra y detenga la rotación (Fig. 11). Afloje la tuerca del eje portaherramienta **3** en sentido contrario al de las



- agujas del reloj con la llave de tuerca del eje portaherramienta **4** suministrada (Fig. 12). Ponga la llave de tuerca a un lado, siga aflojando la tuerca del eje portaherramienta **3** a mano y quite dicha tuerca del eje portaherramienta **3** y la arandela exterior **5**. Una vez que haya hecho esto, la hoja podrá quitarse o instalarse deslizándola hacia adentro o hacia afuera del eje portaherramienta.
3. Ensamble la arandela interior **7** y la hoja nueva de la manera que se muestra en la figura 13, asegurándose de que los DIENTES DE LA HOJA ESTEN ORIENTADOS HACIA ABAJO EN LA PARTE DE LANTERA DE LA MESA.

Ensamblaje

NOTA: La impresión que se encuentra en las distintas hojas de sierra no está siempre en el mismo lado.

4. Ensamble la arandela exterior **5** y la tuerca del eje portaherramienta **3** de la manera que se muestra en la figura 13. Mientras sube la palanca de fijación del eje portaherramienta **2**, apriete firmemente la tuerca del eje portaherramienta **3** en el sentido de las agujas del reloj con la llave de tuerca **4** suministrada (Fig. 12).
5. Posicione el accesorio de inserción de la mesa **1** en el bolsillo de la mesa, de manera que las lengüetas **6** del accesorio de inserción estén en las ranuras del bolsillo de la mesa, y empuje hacia abajo para fijarlo en su sitio.

Colocación del tope-guía para cortar al hilo

- A. Suba el mango del tope-guía para cortar al hilo **1** tal como se muestra en la ilustración (Fig. 14), de manera que la abrazadera de sujeción **2** quede lo suficientemente hacia afuera como para acoplarse sobre la mesa **3** y en la ranura en "V" ubicada en la parte posterior del riel trasero.
- B. Posicione el tope-guía para cortar al hilo **4** sobre la mesa **3** sujetando hacia arriba el extremo delantero, acople primero la abrazadera de sujeción **2** con el riel trasero.
- C. Luego baje el extremo delantero hasta el riel delantero **5**.

Instalación del tope-guía para piezas de trabajo delgadas

Asegúrese de que los sujetadores **25a** estén en los dos agujeros exteriores. Deslice el tope-guía para cortar al hilo **18** alejándolo de la hoja. Ajuste el tope-guía para piezas de trabajo delgadas sobre la mesa y gire los sujetadores de manera que las cabezas se alineen con la ranura **18a** ubicada en el tope-guía para cortar al hilo.

Deslice el tope-guía para piezas de trabajo delgadas hacia el mango del tope-guía para cortar al hilo **18b** y alinee el borde delantero del tope-guía para piezas de trabajo delgadas con el

Fig. 13

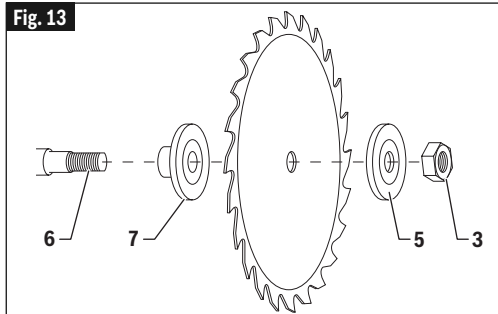


Fig. 14

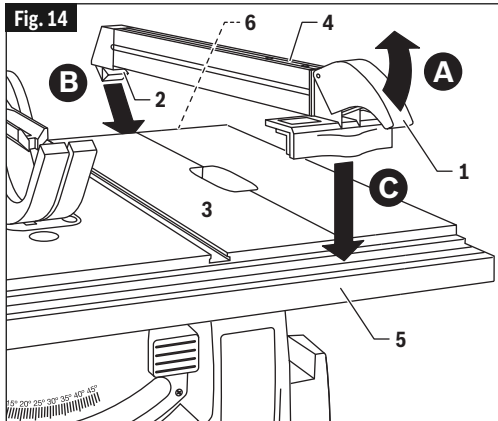
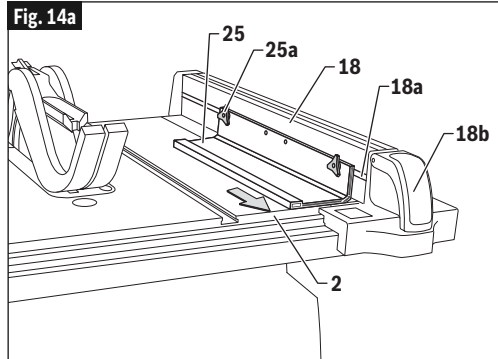


Fig. 14a



borde de la mesa **2**. Apriete los sujetadores (Fig. 14a).

Ajuste el tope-guía para piezas de trabajo delgadas a la distancia deseada de la hoja. **NOTA:** el tope-guía para piezas de trabajo delgadas mide 3 pulgadas (76 mm) de ancho. Cuando utilice la escala del tope-guía para cortar al hilo, reste 3 pulgadas (76 mm) a la lectura de la escala para obtener el ajuste deseado. Por ejemplo, una lectura de la escala de 4-1/2 pul-

Ensamblaje

gadas (114 mm) posiciona el tope-guía para piezas de trabajo delgadas a 1-1/2 pulgadas (38 mm) de la hoja.

Para retirar el tope-guía para piezas de trabajo delgadas, afloje los sujetadores e invierta los pasos de instalación. Después de la remoción,

apriete los sujetadores para evitar que se pierdan. Almacene el tope-guía para piezas de trabajo delgadas de la manera que se muestra en la página 124.

Almacenamiento, transporte y montaje

ALMACENAMIENTO DEL CALIBRE DE INGLETES Y EL PALO DE EMPUJAR

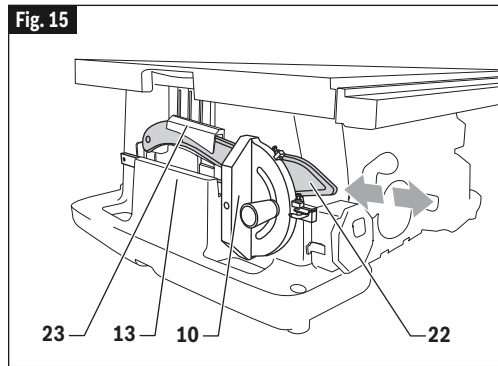
Cuando no lo esté utilizando, almacene el calibre de ingletes **10** en la ranura de almacenamiento para el calibre de ingletes **13** ubicada en el panel del lado izquierdo de la sierra (Fig. 15).

Cuando no se esté utilizando, deslice el palo de empujar **22** hacia el interior de la ranura de almacenamiento del palo de empujar **23**. Asegúrese de insertar primero el mango del palo de empujar de la manera que se muestra en la Fig. 15.

ALMACENAMIENTO DEL TOPE-GUÍA PARA CORTAR AL HILO Y EL TOPE-GUÍA PARA PIEZAS DE TRABAJO DELGADAS

- Cuando no se esté utilizando, almacene el tope-guía para cortar al hilo **18** en el área de almacenamiento del tope-guía para cortar al hilo **11** que se encuentra en el panel del lado derecho de la sierra (Fig. 16).
- Monte el palo de empujar **22** en el soporte para el palo de empujar **23** y deslícelo de la manera que se muestra en la ilustración para fijarlo en la posición correcta (Fig. 16).
- Almacene la llave de tuerca para la hoja **14** en su área específica, sujeta con una

Fig. 15



tuerca de mariposa **14a** (Fig. 16).

- Enrolle el cordón de energía **28** alrededor del enrollador del cordón **16** (Fig. 16).
- Monte la llave hexagonal de 5 mm **15** en su ubicación de almacenamiento específica en el lado derecho de la base (Fig. 16).
- Para almacenar el tope-guía para piezas de trabajo delgadas **25**, levante el clip **26** y coloque el tope-guía sobre los "hombros" de los enrolladores de cordón rojos **16** de la manera que se muestra en la ilustración. Suelte el clip **26** para fijar el tope-guía **25** en la posición deseada.

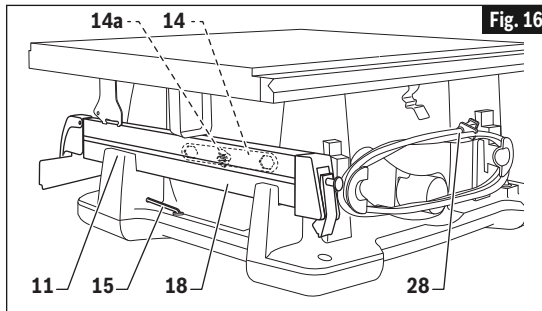
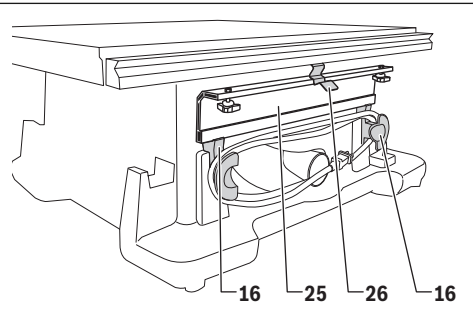


Fig. 16



Almacenamiento, transporte y montaje

ALMACENAMIENTO DEL SISTEMA DE PROTECTOR INTELIGENTE SMART GUARD

⚠ ADVERTENCIA Se recomienda enfáticamente utilizar todos los componentes del sistema Smart Guard, incluyendo el protector de barrera principal, el dispositivo antirretroceso y la cuchilla separadora, para proporcionar protección contra accidentes y lesiones.

Cuando no se estén utilizando, el protector de barrera principal y el dispositivo antirretroceso se pueden almacenar debajo de la extensión de la mesa del lado derecho.

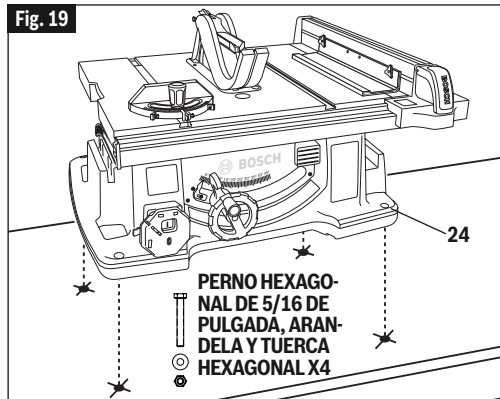
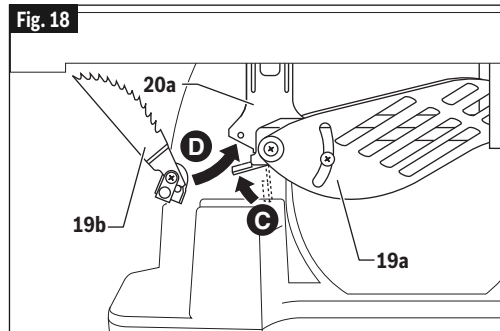
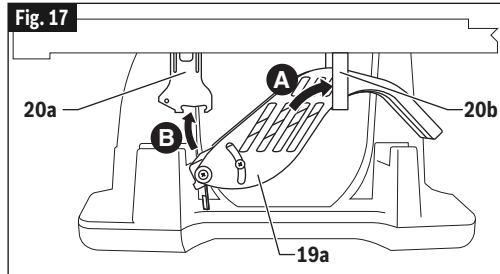
- Deslice el ensamblaje del protector de barrera principal **19a** (en posición invertida) hacia arriba y hacia atrás, hacia el interior del soporte de correa **20b** ubicado en el lado trasero derecho de la sierra (Fig. 17).
- Pivote la parte trasera del protector hacia arriba y al interior del soporte de montaje delantero **20a** (Fig. 17).
- Bloquee el ensamblaje del protector de barrera principal **19a** en esa posición de la misma manera en que lo sujetaría a la cuchilla separadora (Fig. 18).
- Sujete el dispositivo antirretroceso **19b** al soporte de montaje delantero de la misma manera en que se sujeta a la cuchilla separadora (Fig. 18).

MONTAJE DE LA SIERRA DE MESA

Si la sierra de mesa se va a utilizar en un lugar permanente, se debe sujetar firmemente a una superficie de soporte firme tal como una base o un banco de trabajo utilizando los cuatro agujeros de montaje **24**, dos de los cuales se muestran (Fig. 19).

- Si va a montar la sierra de mesa en un banco de trabajo, la base se debe empernar firmemente utilizando pernos hexagonales de 5/16" o M8 (no incluidos) a través de los agujeros de montaje provistos.

Consejo: Si el banco de trabajo mide 3/4" de grosor, los pernos tendrán que medir al menos 3-1/2" (90mm) de longitud. Si el banco de trabajo mide 1-1/2" (38mm) de grosor, los pernos deberán medir al menos 4-1/2" (114mm) de longitud.



- Localice y marque la ubicación en la que se va a montar la sierra, relativa a los agujeros de la base de la herramienta.
- Taladre cuatro (4) agujeros de 3/8" (9,5mm de diámetro que atraviesen el banco de trabajo).
- Coloque la sierra de mesa sobre el banco de trabajo, alineando los agujeros de la base con los agujeros taladrados en el banco de trabajo.
- Inserte cuatro (4) pernos de 5/16" de diámetro a través de los agujeros de la base y la superficie de soporte; luego,

Almacenamiento, transporte y montaje

sujételos firmemente con (4) arandelas planas de 5/16" y (4) tuercas hexagonales de 5/16" (herrajes no incluidos).

Ajustes

Ajuste de la hoja paralela a las ranuras del calibre de ingletes

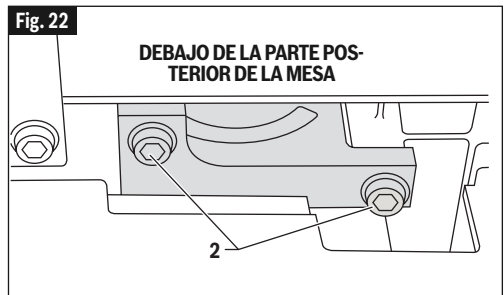
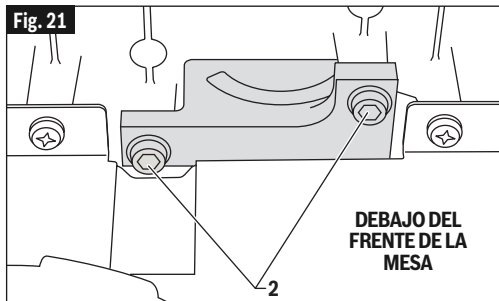
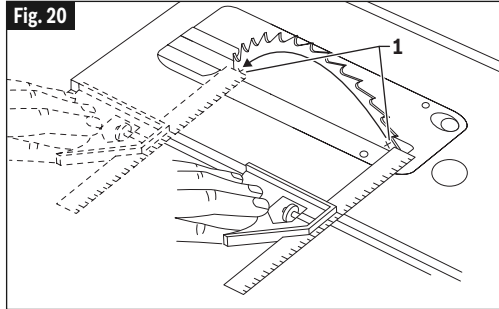
⚠ ADVERTENCIA Para evitar lesiones personales, desconecte siempre el enchufe de la fuente de energía antes de realizar cualquier ajuste.

La hoja se ajustó en fábrica paralela a las ranuras del calibre de ingletes. Para asegurarse de que se realizan cortes precisos y para ayudar a evitar el retroceso, este ajuste se debe volver a comprobar. Si se necesita realizar un ajuste, siga los pasos que se indican a continuación.

1. Gire la rueda de elevación **7** (Fig. 1) y suba la hoja tan alto como se pueda.
2. Seleccione un diente en la parte posterior de la hoja de sierra que se encuentre triscado hacia la izquierda según se mira a la hoja desde la parte delantera de la sierra y marque **1** este diente con un lápiz (Fig. 20).
3. Coloque la base de una escuadra de combinación contra el borde de la ranura del calibre de ingletes y extienda la regla corrediza de la escuadra de manera que apenas toque el diente marcado **1**.
4. Gire la hoja y compruebe el mismo diente marcado **1** de la hoja en la parte delantera de la mesa de sierra (Fig. 20).
5. Si las medidas delantera y trasera, que se muestran en la Figura 22, no son idénticas, afloje los cuatro pernos de alineación **2**, ubicados en el lado inferior de la mesa, en la parte delantera y trasera de la sierra, con la llave hexagonal suministrada con la sierra (Fig. 21 y 22). Mueva cuidadosamente la hoja de sierra hasta que esté paralela a la ranura del calibre de ingletes y apriete firmemente los cuatro pernos.

AJUSTE DEL CALIBRE DE INGLETES

Para comprobar la precisión del calibre de in-



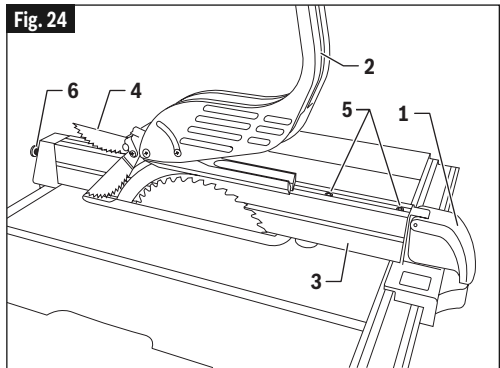
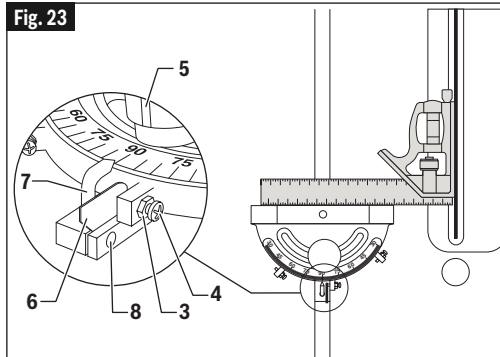
gletes, mueva el calibre de ingletes en línea con la hoja y use una escuadra de combinación para asegurarse de que el cuerpo del calibre de ingletes esté a 90 grados respecto a la hoja (Fig. 23).

Para ajustar el calibre de ingletes a 90 grados:

1. Afloje la tuerca de fijación **3**, el tornillo de ajuste **4** y el pomo de fijación **5**.
2. Voltee la placa de tope **6** hacia abajo.

Ajustes

3. Gire el cuerpo del calibre de ingletes hasta que esté a 90 grados respecto a la hoja.
4. Apriete el pomo de fijación **5**.
5. Voltee la placa de tope **6** hacia arriba y apriete el tornillo de ajuste **4** hasta que entre en contacto con la placa de tope **6**.
6. Apriete la tuerca de fijación **3**.
7. Si el indicador **7** no está señalando 90 grados, afloje el tornillo de ajuste **8** ubicado en el lado de la barra del calibre de ingletes y gire el indicador **7** hasta la marca de 90 grados. Apriete el tornillo de ajuste **8**.
8. Para ajustar el calibre de ingletes a 45 grados a la izquierda y a la derecha, repita los pasos 1-6, pero use los topes de 45 grados.



Ajustes del tope-guía para cortar al hilo

ALINEACIÓN DEL TOPE-GUÍA PARA CORTAR AL HILO

⚠ ADVERTENCIA Para evitar lesiones personales, desconecte siempre el enchufe de la fuente de energía antes de realizar cualquier ajuste. El tope-guía para cortar al hilo debe estar paralelo a la HOJA DE SIERRA para evitar el RETROCESO al cortar al hilo.

⚠ ADVERTENCIA Para evitar lesiones personales, asegúrese siempre de que el tope-guía para cortar al hilo esté fijo antes de utilizarlo cuando vaya a hacer cortes al hilo.

La sierra de mesa está equipada con un tope-guía para cortar al hilo de alineación automática y colocación rápida. Una vez que se han realizado los ajustes que se describen a continuación, el tope-guía para cortar al hilo se autoalineará cuando el tope-guía se encuentre fijo en su posición.

NOTA: La hoja debe estar paralela a las ranuras del calibre de ingletes (consulte la sección "Ajuste de la hoja paralela a las ranuras del calibre de ingletes", página 126) y perpendicular a la mesa antes de proceder a realizar la alineación del tope-guía para cortar al hilo.

1. Levante ambas barreras del protector **2**

hasta su posición bloqueada hacia arriba.

2. Suba el mango de fijación **1** y deslice el tope-guía para cortar al hilo **3** hasta que esté junto a la hoja de sierra, levantando el trinquete del lado derecho **4** por encima del tope-guía (Fig. 24).

El tope-guía para cortar al hilo debe tocar los dientes de la hoja en la parte delantera y en la parte trasera de la hoja. Si el tope-guía para cortar al hilo no toca los dientes en la parte delantera y en la parte trasera de la hoja, continúe con los pasos siguientes:

3. Afloje los dos tornillos **5** ubicados en la sección delantera superior del tope-guía para cortar al hilo utilizando la llave hexagonal de 5 mm incluida.
4. Mueva el tope-guía para cortar al hilo **3** hasta que toque los dientes y esté paralelo a la hoja.
5. Sujete el tope-guía para cortar al hilo en su sitio, baje el mango de fijación, asegúrese de que el tope-guía para cor-

Ajustes

tar al hilo haya permanecido paralelo a la hoja y luego apriete los tornillos (Fig. 23).

6. Fije con abrazaderas el tope-guía para cortar al hilo con el fin de comprobar si se mantiene sujeto firmemente en las partes anterior y posterior. Si la parte anterior no está sujeta firmemente, suelte el tope-guía para cortar al hilo y gire el tornillo de ajuste de la abrazadera posterior **6** en el sentido de las agujas del reloj para aumentar la sujeción. Intente fijar el tope-guía para cortar al hilo para verificar si se alinea automáticamente y se fija firmemente en las partes anterior y posterior. El apretar demasiado el tornillo de ajuste de la abrazadera trasera **6** hará que el tope-guía para cortar al hilo no se alinee automáticamente (Fig. 24). Es posible que un apriete excesivo cause fricción o “vibración” al mover el tope-guía para cortar al hilo de un lado a otro.

AJUSTE DEL INDICADOR DEL TOPE-GUÍA PARA CORTAR AL HILO

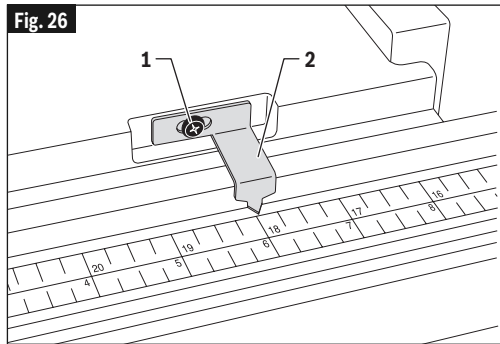
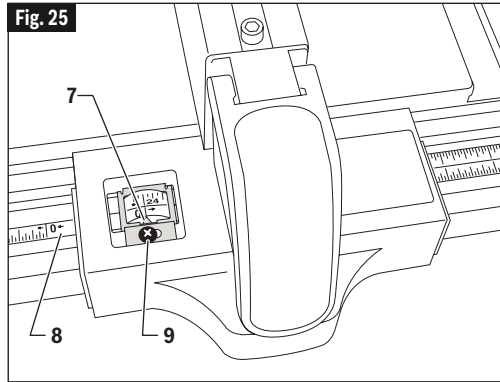
La distancia desde el cuerpo del tope-guía para cortar al hilo hasta la hoja cuando se corte al hilo en el lado derecho de la hoja se determina alineando el indicador del tope-guía para cortar al hilo **7** con la dimensión deseada en la escala **8** (Fig. 25).

PARA AJUSTAR EL INDICADOR DEL TOPE-GUÍA PARA CORTAR AL HILO:

1. Suba ambos protectores de barrera **2** hasta su posición bloqueada hacia arriba (Fig. 24).
2. Suba el mango de fijación **1** y deslice el tope-guía para cortar al hilo **3** hasta que esté junto al lado de la hoja de sierra, subiendo el trinquete del lado derecho **4** por encima del tope-guía para cortar al hilo (Fig. 24).
3. Afloje el tornillo de ajuste del indicador **9**, ajuste el indicador **7** a la marca de “0” de la escala inferior **8** y luego reapriete el tornillo **9** (Fig. 25).

Ajuste del indicador de la mesa

Si es necesario hacer algún ajuste del indicador de la mesa, afloje el tornillo de ajuste



del indicador **1**, ajuste el indicador **2** y apriete el tornillo (Fig. 26).

El indicador de la mesa debe estar ajustado siempre relativo al indicador del tope-guía para cortar al hilo.

1. Ajuste el indicador del tope-guía para cortar al hilo **7** a cero. Consulte “Ajuste del indicador del tope-guía para cortar al hilo” (Fig. 25).
2. Deslice el tope-guía para cortar al hilo hasta que llegue a la placa de tope **7** que está en el riel delantero y fije el tope-guía para cortar al hilo en su sitio.
3. Mire al indicador del tope-guía para cortar al hilo para ver la distancia que se ha movido en la escala inferior (en o cerca de 14.5”).
4. Ajuste el indicador de la mesa **2** para que tenga la misma lectura en la escala superior que la que se muestra en el indicador del tope-guía para cortar al hilo. Ambos indicadores deben coincidir cuando el tope-guía para cortar al hilo

Ajustes

esté en esta posición.

Ejemplo: Si el indicador del tope-guía para cortar al hilo está a 13-9/16", entonces el indicador de la mesa también se debe ajustar a 13-9/16".

Alineación de la cuchilla separadora

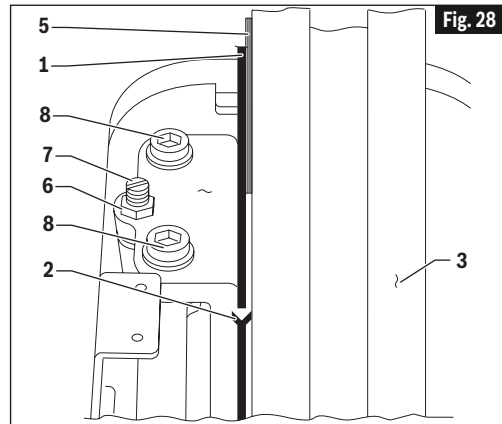
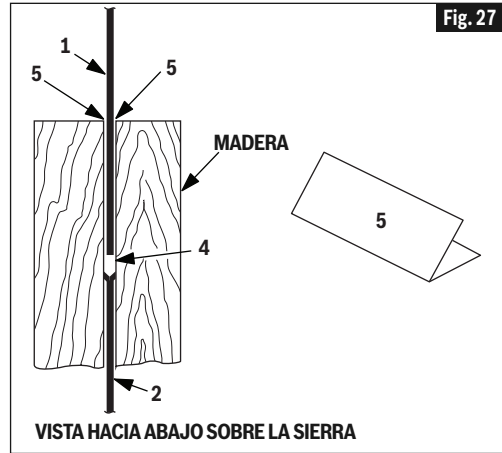
⚠ ADVERTENCIA Para evitar lesiones corporales, desconecte siempre el enchufe de la fuente de alimentación antes de hacer cualquier ajuste y cuando instale o retire el sistema de protector inteligente Smart Guard.

IMPORTANTE: La cuchilla separadora **1** debe estar siempre en línea con la hoja de sierra **2**. La cuchilla separadora **1** es más delgada que la anchura de la sección de corte **4** en aproximadamente dos grosores de papel de copia de 20 lb (75 gmc) estándar **5** a cada lado (Fig. 27). **Nota:** La sección de corte es la anchura del corte hecho por los dientes de la hoja de sierra.

COMPROBACIÓN DE LA ALINEACIÓN DE LA CUCHILLA SEPARADORA

NOTA: La cuchilla separadora ha sido alineada apropiadamente en la fábrica. Compruebe la alineación antes de realizar cualquier ajuste.

1. Gire la rueda de elevación **7** (Fig. 1) en el sentido de las agujas del reloj para subir la hoja hasta la altura máxima y ajuste el ángulo de bisel a 0°.
2. Retire el ensamblaje del protector de barrera y el dispositivo antirretroceso (consulte el manual).
3. Coloque el tope-guía para cortar al hilo **3** en el lado derecho y deslícelo hasta que toque las puntas de la hoja de la sierra **2**. Bloquee el tope-guía para cortar al hilo (Fig. 28).
4. Compruebe la alineación:
 - A. Desde la parte de arriba, mire hacia abajo sobre el tope-guía para cortar al hilo y asegúrese de que la cuchilla separadora esté en línea (de delante atrás) con la hoja y paralela al tope-guía para cortar al hilo.
 - B. Deslice el tope-guía para cortar al hilo alejándolo de la hoja. Mire sobre la parte delantera de la hoja y com-



pruebe que la cuchilla separadora esté en línea con la hoja.

- C. Si los pasos A o B muestran desalineación, vaya a "Ajuste de la cuchilla separadora".

AJUSTE DE LA CUCHILLA SEPARADORA

1. Suba la hoja de la sierra **2** hasta la altura máxima y ajuste el ángulo de bisel a 0°.
2. Retire el ensamblaje del protector de barrera y el dispositivo antirretroceso (consulte el manual).
3. Retire el inserto de la mesa.
4. Coloque el tope-guía para cortar al hilo **3** en el lado derecho y deslícelo hasta que toque las puntas de la hoja de sierra **2**. Bloquee el tope-guía para cortar al hilo.

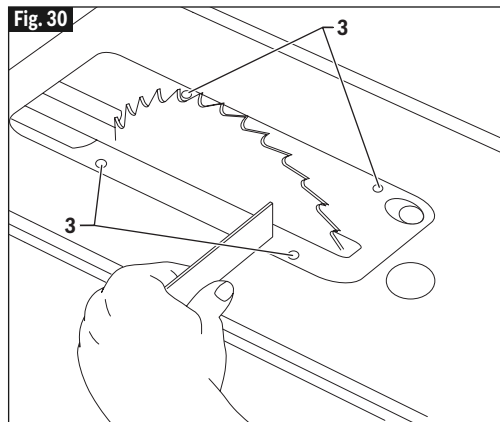
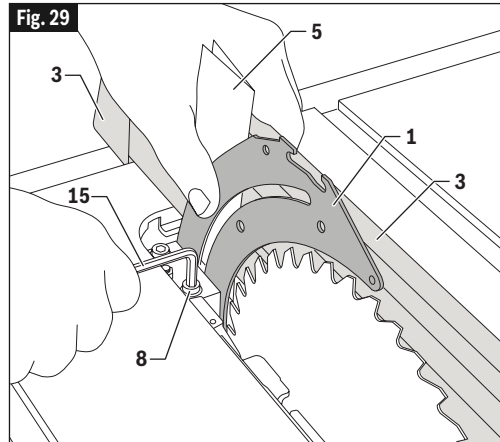
Ajustes

5. Afloje la tuerca hexagonal **6** con la llave de boca abierta de 10 mm (Fig. 28). Afloje ligeramente los tornillos de sujeción **8** (de 1/4 de vuelta a 1/2 vuelta) utilizando una llave hexagonal **15** de 5 mm suministrada con la sierra de mesa (almacenada en el lado derecho de la base). Afloje el tornillo de ajuste **7** utilizando un destornillador plano (Fig. 28).

6. Doble un pedazo pequeño (6 x 6 pulgadas [152x152 mm]) de papel de copia de 20 lb (75 gmc) estándar para formar dos capas (Fig. 27). El papel **5** se utiliza como "calibre espaciador".

NOTA: Las instrucciones de separación que anteceden se basan en la utilización de una hoja de sección de corte estándar (sección de corte de 0,128 pulgadas [3,25mm] en la hoja Bosch incluida). Si se está utilizando una hoja de sección de corte más pequeña, ajuste el espaciador de papel. Por ejemplo, si la sección de corte de la hoja de repuesto se aproxima a 0,100 pulgadas (2,54mm), use 1 grosor de papel como espaciador; si la sección de corte se aproxima a 0,110 pulgadas (2,8mm), use 2 grosores.

7. Inserte el papel doblado **5** entre la cuchilla separadora **1** y el tope-guía **3**.
 - A. Sujete la cuchilla separadora y el papel firmemente contra el tope-guía para cortar al hilo (Fig. 28 y 29).
 - B. Apriete ligeramente los tornillos de sujeción **8**.
 - C. Retire el papel. Deslice el tope-guía para cortar al hilo alejándolo de la hoja.
 - D. Gire lentamente el tornillo de ajuste **7** mientras observa como la cuchilla separadora se inclina hasta que esté en línea con la hoja.
 - E. Compruebe de nuevo si la cuchilla separadora está en ángulo recto con la mesa, deslizando el tope-guía para cortar al hilo contra la hoja. Si es necesario, reajuste la cuchilla.
8. Después de completar los ajustes:
 - A. Apriete ligeramente la tuerca hexagonal **6** (mantenga la posición del tornillo de ajuste con el destornillador mientras aprieta la tuerca).



- B. Apriete completamente los tornillos de sujeción **8** con la llave hexagonal **15**. Luego, apriete completamente la tuerca hexagonal.

NOTA: Asegúrese de que la cuchilla separadora permanezca en línea con la hoja cuando ésta se encuentre inclinada a cualquier ángulo. Reemplace el ensamblaje del protector de barrera y el dispositivo antirretroceso antes de realizar cortes.

Ajuste del accesorio de inserción de la mesa

El accesorio de inserción de la mesa incluye cuatro (4) tornillos de ajuste **3** para ajustar la altura (Fig. 30). Coloque el accesorio de inserción sobre la mesa. Coloque una regla recta (como por ejemplo la regla metálica de una escuadra de combinación) transver-

Ajustes

salmente al tablero de la mesa y a la parte de arriba del accesorio de inserción de la mesa. Las superficies deberían estar al mismo nivel. Si es necesario realizar algún ajuste, use un destornillador de estrella pequeño para girar cada tornillo.

Ajuste de los topes positivos a 0 y 45 grados

⚠ ADVERTENCIA Para evitar lesiones personales, desconecte siempre el enchufe de la fuente de energía al realizar ajustes.

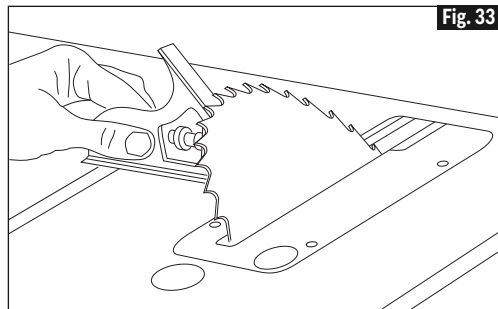
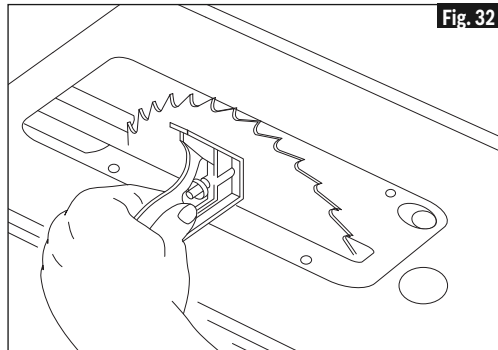
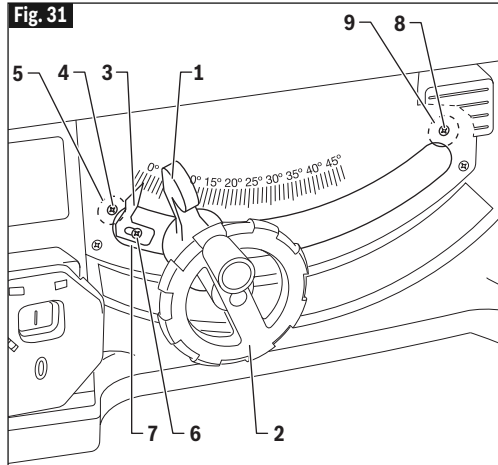
La sierra está equipada con topes positivos para posicionar rápidamente y con precisión la hoja de sierra a 90 y 45 grados respecto a la mesa.

1. Gire la rueda de elevación **2** en el sentido de las agujas del reloj y suba la hoja hasta la altura máxima (Fig. 31).

AJUSTE DEL TOPE POSITIVO DE 0 GRADOS:

2. Afloje el mango de fijación de la inclinación de la hoja **1**, empuje la rueda de elevación **2** hacia la izquierda tanto como sea posible y apriete el mango de fijación de la inclinación de la hoja **1** (Fig. 31).
3. Coloque una escuadra de combinación sobre la mesa con un extremo de la escuadra contra la hoja, de la manera que se muestra en la ilustración (Fig. 32), y compruebe si la hoja está a 90 grados respecto a la mesa. Si la hoja no está a 90 grados respecto a la mesa, afloje el mango de fijación de la inclinación de la hoja **1**, afloje el tornillo de ajuste de 90 grados **4**, afloje la leva del tope de bisel de 90 grados **5** y empuje la rueda de elevación hasta que la hoja esté a 90 grados respecto a la mesa.
4. Apriete el mango de fijación de la inclinación de la hoja **1**, gire la leva del tope de bisel **5** hasta que toque la carcasa del tope de bisel **7** y luego apriete el tornillo de ajuste de 90 grados **4**.
5. Afloje el tornillo de ajuste **6** y ajuste el indicador **3** para que señale 0 grados en la escala de bisel.

AJUSTE DEL TOPE POSITIVO DE 45 GRADOS:



6. Afloje el mango de fijación de la inclinación de la hoja **1**, empuje la rueda de elevación **2** hacia la derecha tanto como sea posible y apriete el mango de fijación de la inclinación de la hoja **1**.
7. Coloque una escuadra de combinación sobre la mesa con un extremo de la escuadra contra la hoja, de la manera que se muestra en la ilustración (Fig. 33) y

Ajustes

compruebe si la hoja está a 45 grados respecto a la mesa. Si la hoja no está a 45 grados respecto a la mesa, afloje el mango de fijación de la inclinación de la hoja **1**, afloje el tornillo de ajuste de 45 grados **8**, afloje la leva del tope de bisel de 45 grados **9** y empuje la rueda de elevación hasta que la hoja esté a 45 grados respecto a la mesa.

8. Apriete el mango de fijación de la inclinación de la hoja **1**, gire la leva del tope de bisel de 45 grados **9** hasta que toque la carcasa del tope de bisel **7** y luego apriete el tornillo de ajuste de 45 grados **8**.

Utilización básica de la sierra de mesa

Interruptor de encendido

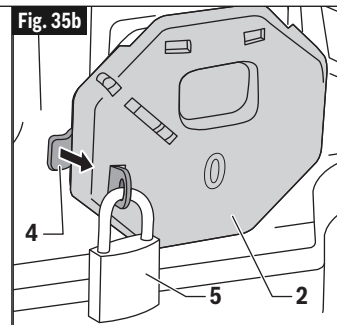
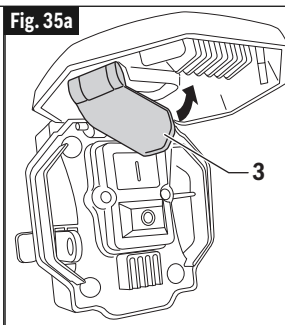
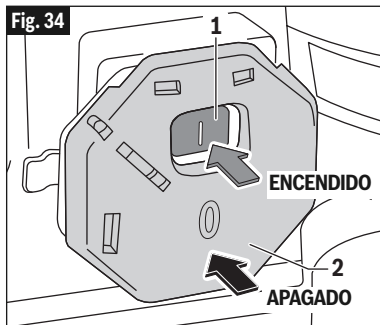
Para encender la sierra: presione el botón verde de ENCENDIDO (I) **1** (Fig. 34).

Para apagar la sierra: presione la paleta roja de parada en APAGADO (O) **2** (Fig. 34).

Para prevenir el uso no autorizado, bloquee el interruptor de la manera siguiente:

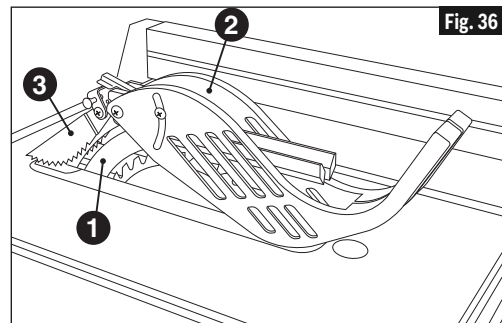
- Levante la paleta de parada primaria **2** (Fig. 35a).

- Gire la aleta de fijación **3** (Fig. 35a).
- Cierre la paleta de parada **2**, jale hacia fuera la aldaba de cierre **4** y bloquee el interruptor con un candado **5** (Fig. 35b). El candado (no suministrado con la sierra de mesa) debe tener una barra de 3/16 o 1/4 de pulgada (4,5 o 6 mm) de diámetro.



Utilización del sistema de protector inteligente Smart Guard

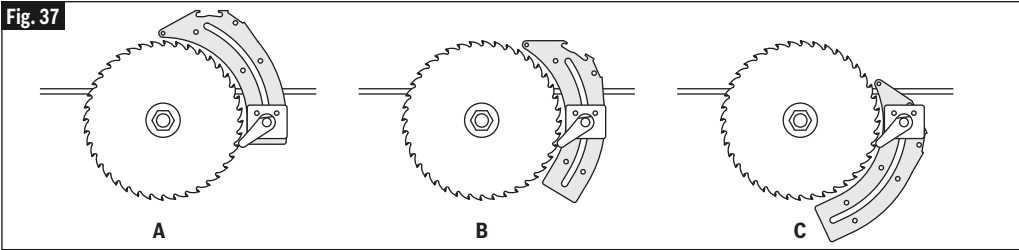
El protector inteligente Smart Guard de Bosch ha sido diseñado para brindar modularidad, lo cual permite el uso de múltiples combinaciones de los tres componentes principales: **1** cuchilla separadora / separador, **2** protector de barreira principal y **3** dispositivo antirretroceso (Fig. 36). Además, la cuchilla separadora se puede ajustar rápidamente en tres posiciones, dependiendo del requisito de la aplicación: corte pasante (posición



alta), corte no pasante (posición central) y

Utilización básica de la sierra de mesa

Fig. 37



mortaja (posición más baja). Los tres componentes principales del sistema de protección de la hoja Smart Guard están diseñados para realizar una instalación, un ajuste y/o una remoción rápidos sin necesidad de herramientas adicionales. Todo componente del protector inteligente Smart Guard que sea necesario retirar para completar un corte deberá ser reinstalado inmediatamente cuando se termine la operación. Consulte las páginas 119–121 para obtener instrucciones detalladas de instalación. Recuerde siempre que la mejor prevención de accidentes es que el operador use el sentido común y se mantenga alerta en todo momento cuando se esté utilizando la sierra de mesa.

CUCHILLA SEPARADORA / SEPARADOR

La cuchilla separadora (separador) es el elemento central del sistema de protección de la hoja Smart Guard de Bosch y sirve como punto de sujeción tanto para el protector de barrera principal como para el dispositivo antirretroceso. En el caso de que el protector de barrera principal y el dispositivo antirretroceso se hayan retirado, la cuchilla separadora mantiene su funcionalidad como separadora de material y se puede ajustar rápidamente en tres posiciones (corte pasante **A**, corte no pasante **B** y mortaja **C**), dependiendo del requisito de la aplicación (Fig. 37). Debido a esta ajustabilidad, la cuchilla separadora se puede posicionar adecuadamente para todas las aplicaciones de corte.

La cuchilla separadora (separador) se puede ajustar fácilmente en una de tres alturas retirando el accesorio de inserción de la mesa, subiendo la hoja hasta su altura máxima y soltando la palanca de liberación de la cuchilla separadora ubicada en la base de dicha cuchilla. La cuchilla separadora deberá estar fija en su posición de corte pasante (la posición más alta) para utilizarse con el pro-

teccionador de barrera principal y el dispositivo antirretroceso. Se puede ajustar en su posición de corte no pasante (la posición central) para utilizarse como separadora de material sin el protector de barrera principal y sin el dispositivo antirretroceso. En el caso de que la cuchilla separadora no se pueda emplear para un corte específico o para utilizarse con una hoja de mortajar, se puede ajustar en su posición de mortajar (la posición más baja), colocándola 1 pulgada (25,4mm) por encima de la superficie de la mesa cuando la hoja esté a su altura máxima.

PROTECTOR DE BARRERA PRINCIPAL

El protector principal comprende un par de barreras de plástico sujetas al protector de barrera superior de metal. Las barreras laterales (una a la izquierda y otra a la derecha de la hoja) funcionan independientemente una de otra, manteniendo una cobertura máxima de la hoja durante las operaciones de corte. El protector principal incorpora un punto de sujeción de conexión rápida y se puede instalar en el sistema de protección de la hoja o se puede desinstalar del mismo independientemente del dispositivo antirretroceso y la cuchilla separadora / separador.

El componente que consiste en el protector de barrera principal se puede instalar y desinstalar rápidamente mediante el uso de una palanca de liberación rápida. El protector se instala asentando la barra transversal en la parte de arriba de la cuchilla separadora / separador y acoplado la palanca de fijación. Al seguir este proceso a la inversa, el protector se puede retirar fácilmente para operaciones especiales, tales como cortar mortajas o rebajos.

Note: Para asegurar al máximo el protector principal con el fin de reubicar la herramienta, ajuste la hoja en su posición más baja. Esto mantiene el protector firmemente ajustado contra la superficie de la mesa y

Utilización básica de la sierra de mesa

previene los daños relacionados con la oscilación del protector durante la reubicación. Si se va a transportar una distancia más larga en el trabajo o fuera del mismo, coloque el protector en su posición de almacenamiento debajo de la mesa (vea la Figura 17, página 125).

DISPOSITIVO ANTIRRETROCESO

En caso de retroceso, el dispositivo antirretroceso está diseñado para ayudar a evitar que la tabla sea lanzada en dirección al usuario. Los dientes afilados de los trinquetes están diseñados para "atrapar" el material en caso de retroceso.

El dispositivo antirretroceso se puede instalar fácilmente alineando la espiga de sujeción con el agujero ubicado en la parte de atrás de la cuchilla separadora / separador. Dicho dispositivo se puede retirar fácilmente presionando las almohadillas de compresión ubicadas a ambos lados del dispositivo antirretroceso y levantando dicho dispositivo.

Elaboración de los ayudantes de trabajo

Antes de cortar cualquier madera en la sierra, estudie el "Utilización básica de la sierra de mesa".

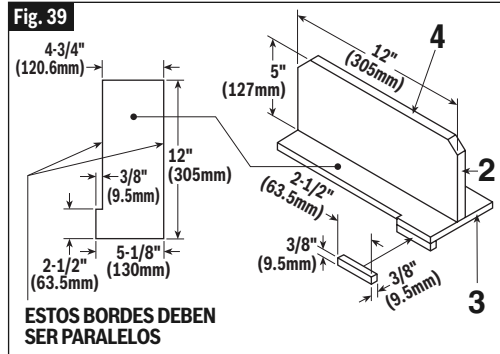
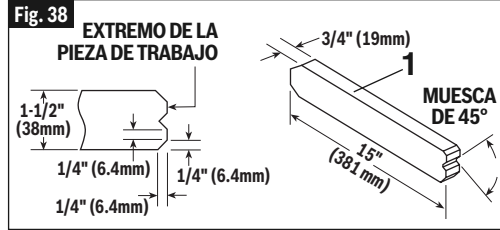
Observe que para hacer algunos de los cortes es necesario utilizar ciertos dispositivos, "ayudantes de trabajo", como el palo de empujar, el bloque de empujar y el tope-guía auxiliar, que se puede hacer usted mismo.

Después de realizar unos cuantos cortes de práctica, haga estos "ayudantes" antes de comenzar cualquier proyecto. Haga primero el palo de empujar.

ELABORACIÓN DEL PALO DE EMPUJAR Y EL BLOQUE DE EMPUJAR

Haga un palo de empujar **1** usando un pedazo de madera de 1 x 2 (19x38mm), de la manera que se muestra en la ilustración (Fig. 38). Para obtener información sobre el uso correcto del palo de empujar, consulte la página 137.

Haga el bloque de empujar **2** utilizando pedazos de madera contrachapada 3/8" (8,7mm), **3**, y de madera dura de 3/4" (19mm), **4**, (Fig. 39). El palo de empujar se deberá utilizar en combinación con el tope-guía auxiliar solamente. Para obtener información sobre cómo utilizar apropiadamente el bloque de empujar, consulte la página 138.



El pedazo pequeño de madera de 3/8" x 3/8" x 2-1/2" (9,5 x 9,5 x 63,5 mm) se debe ENCOLAR a la madera contrachapada... NO USE CLAVOS. Esto tiene como fin evitar melar la hoja de sierra en caso de que usted corte por error en el bloque de empujar.

Posicione el mango en el centro de la madera contrachapada y sujete el mango a la madera usando adhesivo y tornillos para madera.

Use un palo de empujar siempre que el tope-guía para cortar al hilo esté a 2 pulgadas (50mm) o más de la hoja. Utilice un bloque de empujar cuando la operación sea demasiado estrecha como para permitir el uso de un palo de empujar. Para obtener información sobre cómo utilizar apropiadamente el palo de empujar, consulte la página 137.

Se deben usar tanto un palo de empujar como un bloque de empujar en lugar de la mano del usuario para guiar el material solamente entre el tope-guía para cortar al hilo y la hoja.

Cuando utilice un palo de empujar o un bloque de empujar, el extremo de salida de la tabla debe estar en ángulo recto. Un palo de empujar o un bloque de empujar contra un extremo desigual podría resbalar o empujar la pieza de trabajo alejándola del tope-guía para cortar al hilo.

Utilización básica de la sierra de mesa

ELABORACIÓN DE UN TOPE-GUÍA AUXILIAR

Haga uno utilizando pedazos de madera contrachapada de $3/8"$ (8,7mm) **3** y de madera dura de $3/4"$ (19mm) **4**. Fije los pedazos uno a otro con cola y tornillos para madera (Fig. 40).

NOTA: Como el bloque de empujar **2** se utiliza con el tope-guía auxiliar **5**, las dimensiones de $4-3/4"$ (120,6mm) se deben mantener idénticas en ambos pedazos.

CÓMO HACER UNA TABLA CON CANTO BISELADO

La figura 41 ilustra las dimensiones para hacer una tabla con canto biselado típica. Se debe hacer utilizando un pedazo recto de madera que esté libre de nudos o grietas.

La separación de corte **5** debe ser de $1/4"$ (6,35mm) (Fig. 41).

ELABORACIÓN DEL BLOQUE DE REFRENTADO

El bloque de refrentado se debe hacer con madera de $1-1/2$ pulgadas (38mm) de grosor. La Figura 42 muestra las dimensiones para hacer un bloque de refrentado.

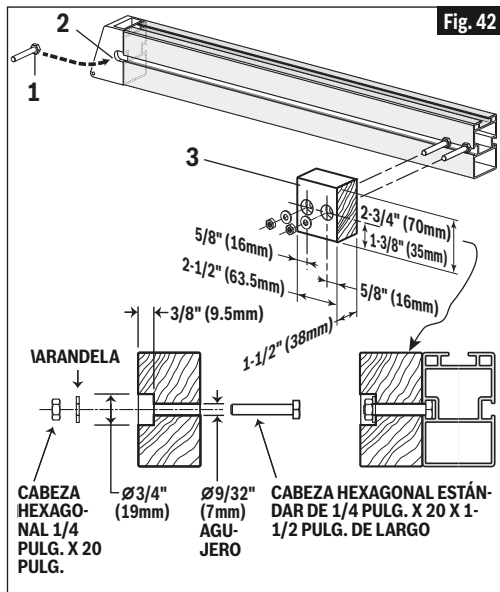
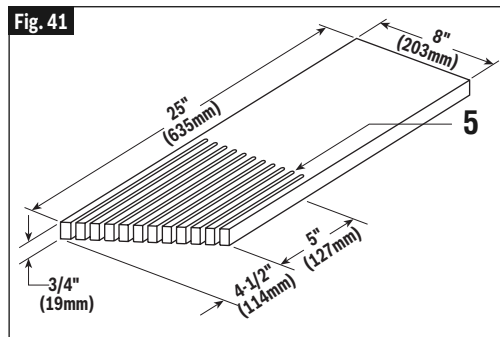
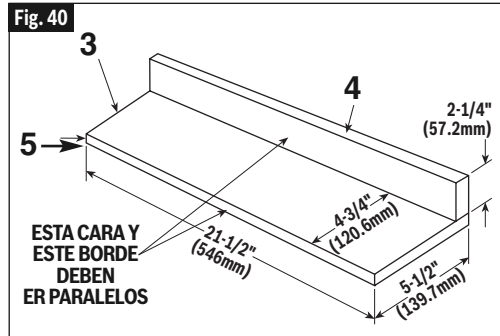
Piezas necesarias:

- Tabla de madera de $1-1/2"$ de grosor cortada con el tamaño deseado (1)
- Tornillos de cabeza hexagonal para metales de $1/4 \times 20 \times 1-1/2"$ de longitud (2)
- Arandelas de $1/4"$ (2)
- Tuercas para tornillos para metales de $1/4 \times 20$ (2)

El bloque de refrentado se hace con la misma altura ($2-3/4"$ [70mm]) que el tope-guía y puede funcionar con el sistema de protector de la hoja colocado en su sitio cuando las piezas cortadas midan $1-1/2$ pulgadas (38mm) o más. Corte la tabla con el tamaño mostrado, taladre en ella agujeros pasantes de $9/32"$ (7mm) y luego avellane cada agujero (hasta $3/8$ de pulgada [9,5mm]) utilizando una broca taladradora de $3/4$ de pulgada (19mm).

Ensamblaje:

- A. Coloque la cabeza hexagonal **1** de cada tornillo para metales en el área rebajada **2** de la carcasa del tope-guía para cortar al hilo trasero. Luego, deslice cada tornillo hacia delante hasta las ubicaciones mostradas.
- B. Coloque el bloque de refrentado **3** sobre los tornillos



- C. Coloque las arandelas en las roscas de los tornillos

Utilización básica de la sierra de mesa

- D. Enrosque y apriete las tuercas en los tornillos

ELABORACIÓN DE UN REFRENTADO AUXILIAR PARA EL TOPE-GUÍA PARA CORTAR AL HILO

Cuando utilice fresas de mortajar o de moldurar accesorias, se debe utilizar una tabla de refrentado auxiliar. Esto ayudará a evitar dañar el tope-guía de aluminio. El refrentado se debe hacer con madera de 3/4 de pulgada de grosor. La Figura 43 muestra los planos dimensionales para hacer una tabla de refrentado adecuada para esta sierra.

Piezas necesarias:

- Tabla de madera de 3/4" de grosor (maciza o de madera contrachapada) cortada con el tamaño deseado
- Tres (3) tornillos de cabeza hexagonal para metales de 1/4 x 20 x 3/4" de longitud
- Tres (3) arandelas de 1/4"
- Tres (3) tuercas para tornillos para metales de 1/4 x 20

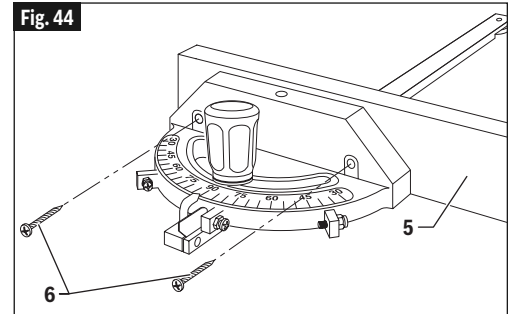
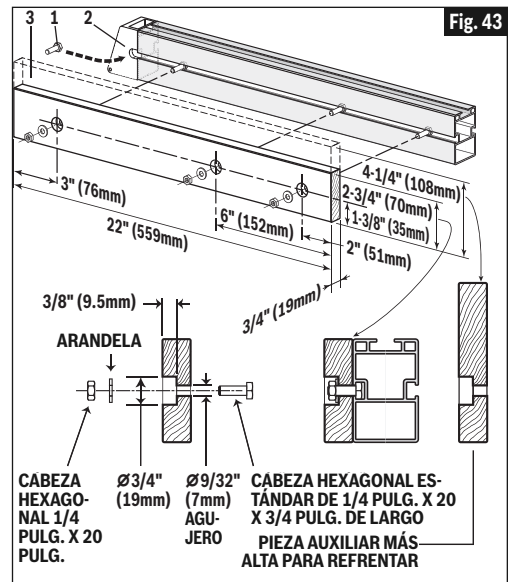
El refrentado se hace con la misma altura (2-3/4") que el tope-guía y puede funcionar con el sistema de protector de la hoja colocado en su sitio cuando se mueve el tope-guía para entrar en contacto con la hoja. El diseño de refrentado más alto (4-1/4") es opcional y se puede utilizar como medio de sujeción a otros accesorios. Corte la tabla con el tamaño mostrado, taladre agujeros pasantes de 9/32" y luego avellane cada agujero (hasta 3/8 de pulgada) utilizando una broca taladradora de 3/4 de pulgada.

Ensamblaje:

- A. Coloque la cabeza hexagonal **1** de cada tornillo para metales en el área rebajada **2** de la carcasa trasera del tope-guía. Luego, deslice cada tornillo hacia delante hasta las ubicaciones mostradas.
- B. Coloque la tabla de refrentado **3** sobre los tornillos.
- C. Coloque las arandelas en las roscas de los tornillos.
- D. Enrosque y apriete las tuercas en los tornillos.

ELABORACIÓN DE UN REFRENTADO AUXILIAR PARA EL CALIBRE DE INGLETES

En la página 155 se suministra una plantilla para hacer agujeros en el calibre de ingletes,



que permite colocar un REFRENTADO AUXILIAR **5** con el fin de proporcionar soporte adicional para cortar piezas más largas. Seleccione un pedazo adecuado de madera recta y lisa, hágale dos agujeros y sujételo al calibre de ingletes con tornillos **6** (Fig. 44).

Ejemplo:

- A. Haga un agujero de 1/4" (6,35mm) de diámetro que atraviese el calibre de ingletes.
- B. Taladre agujeros de 5/32 de pulgada (4 mm) de diámetro a través de la tabla de refrentado auxiliar. Tamaño de tabla recomendado: 3/4 de pulgada (19 mm) de grosor, 3 pulgadas (76 mm) de altura y la longitud deseada.
- C. Realice la instalación con dos tornillos de cabeza redonda para madera núm.

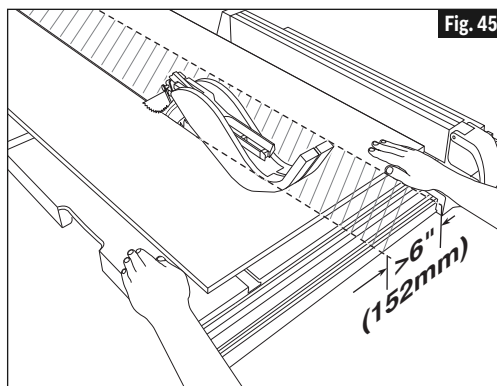
Utilización básica de la sierra de mesa

12x1-1/2 pulgada o M6 x 35mm 6, no inclinados (Fig. 44).

Asegúrese de que los tornillos nunca sobresalgan por encima de la superficie exterior del refrentado.

Asegúrese de que el refrentado no interfiera con el funcionamiento apropiado del protector de la hoja de sierra.

NOTA: Al realizar cortes transversales en bisel, coloque el refrentado de manera que sobresalga por la derecha del calibre de ingletes y utilice el calibre de ingletes en la ranura que se encuentra a la derecha de la hoja.



Utilización del palo de empujar, el bloque de empujar y el tope-guía auxiliar

Cuando haga avanzar la pieza de trabajo para realizar un corte al hilo, utilice las manos solamente cuando se puedan mantener al menos a 6 pulgadas (152mm) de la hoja (Fig. 45). Se deberá utilizar un palo de empujar **22** o un bloque de empujar siempre que el corte vaya a hacer que las manos estén a 6 pulgadas (152mm) o menos de la hoja (Fig. 46). Aplique la fuerza de avance a la sección de la pieza de trabajo ubicada entre la hoja de sierra y el tope-guía para cortar al hilo. Su otra mano se deberá usar solamente para guiar la pieza de trabajo cuando esté por lo menos a 6 pulgadas de la hoja.

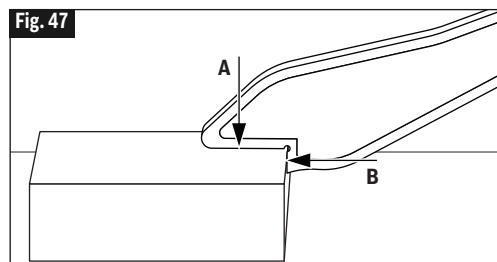
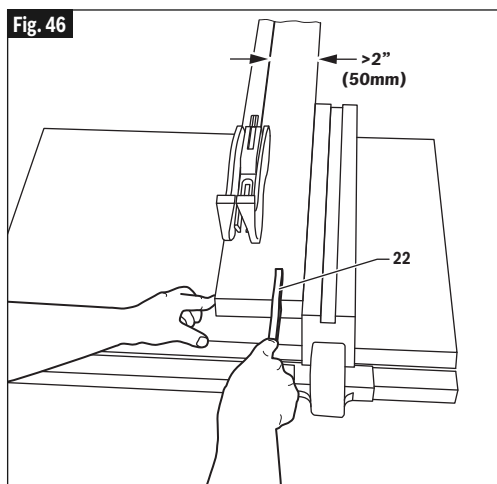
Cuando utilice un palo de empujar o un bloque de empujar, el extremo de salida de la tabla debe estar en ángulo recto. Un palo de empujar o un bloque de empujar contra un extremo desigual podría resbalar o empujar la pieza de trabajo alejándola del tope-guía para cortar al hilo.

Cuando corte una pieza de trabajo de 1/8 de pulgada (3,2 mm) o menos, utilice el tope-guía auxiliar **AF** (Fig. 48) o el tope-guía para piezas de trabajo delgadas **25** (Fig. 1) montado en el tope-guía para cortar al hilo.

PALO DE EMPUJAR

⚠ ADVERTENCIA No contacte nunca la hoja de sierra con el palo de empujar cuando esté girando. Si la hoja de sierra que gira entra en contacto con el palo de empujar, es posible que el resultado sea lesiones corporales o daños materiales.

Utilice el palo de empujar **22** únicamente cuando la anchura de corte al hilo sea mayor



de 2 pulgadas (50mm). Cuando la anchura de corte al hilo sea menor de 2 pulgadas (50mm), el palo de empujar no se puede utilizar debido a que el protector interferirá (Fig. 46).

Posicione siempre el palo de empujar y aplique la fuerza de avance paralelamente a la hoja de sierra. Asegúrese de que el palo de

Utilización básica de la sierra de mesa

empujar esté posicionado de manera que la superficie **A** esté plana contra la parte superior de la pieza de trabajo y la superficie **B** esté completamente acoplada con el extremo de salida de la pieza de trabajo (Fig. 47). Si una pieza de trabajo tiene una forma que hace que el palo de empujar no se pueda soportar completamente de esta manera, se deberá usar un bloque de empujar o un posicionador adecuado para soportar esa pieza de trabajo.

BLOQUE DE EMPUJAR

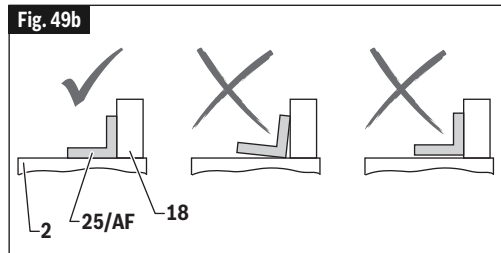
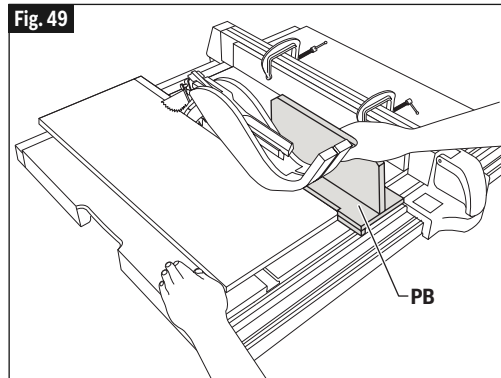
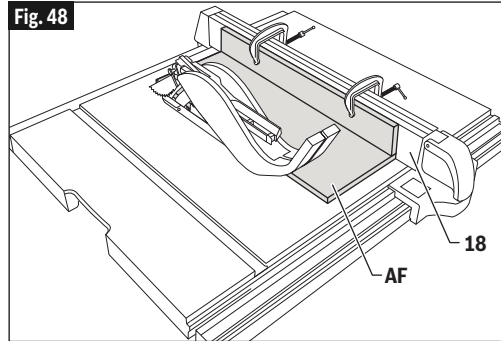
Cuando la anchura de corte al hilo sea más estrecho de 2 pulgadas (50mm), el palo de empujar no se puede utilizar debido a que el protector interferirá; utilice el tope-guía auxiliar y el bloque de empujar.

Instale el tope-guía auxiliar **AF** en el tope-guía para cortar al hilo **18** con dos abrazaderas en "C" (Fig. 48).

Haga avanzar la pieza de trabajo a mano hasta que el extremo de salida esté aproximadamente a 1 pulgada (25mm) del borde delantero de la mesa. Continúe haciendo avanzar la pieza de trabajo, utilizando el bloque de empujar **PB** en la parte de arriba del tope-guía auxiliar hasta que se haya completado el corte (Fig. 49).

TOPE-GUÍA AUXILIAR Y PARA PIEZAS DE TRABAJO DELGADAS

Cuando corte una pieza de trabajo con un grosor de 1/8 de pulgada (3,2 mm) o menos, es importante impedir que la pieza de trabajo forme cuña entre la mesa y la parte inferior del tope-guía para cortar al hilo. El uso adecuado de un tope-guía auxiliar puede eliminar las holguras entre la mesa y la parte inferior del tope-guía para cortar al hilo. Utilice el tope-guía auxiliar **AF** (Fig. 48) o el tope-guía para piezas de trabajo delgadas **25** (Fig. 1) y móntelo en el tope-guía para cortar al hilo **18** (Fig. 1) de manera que no haya holgura entre la superficie inferior del tope-guía auxiliar y la mesa **2** (Fig. 1). En la Figura 49b se ilustra la posición correcta de la mesa y el tope-guía auxiliar.



Utilización básica de la sierra de mesa

UBICADOR DE PRECORTE

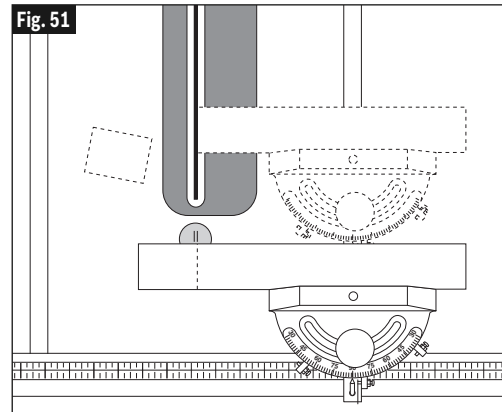
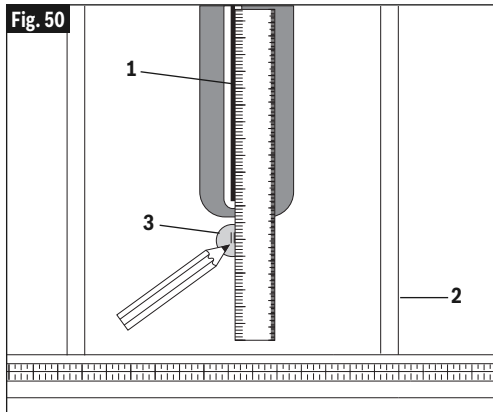
Le permite a usted marcar y ubicar exactamente el lugar donde la hoja entrará en la pieza de trabajo.

Asegúrese siempre de que la sierra de mesa esté apagada y desenchufada.

Ajuste la hoja **1** a 90 grados respecto a la mesa. Utilizando una regla recta y un lápiz

blando, coloque la regla recta **2** contra ambos lados de la hoja y marque las líneas en el ubicador **3** (Fig. 50). Estas líneas indican la "trayectoria" del corte (separación de corte) hecho por la hoja.

Cuando corte la pieza de trabajo, alinee la marca que está en la pieza de trabajo con la línea que está en el disco (Fig. 51).

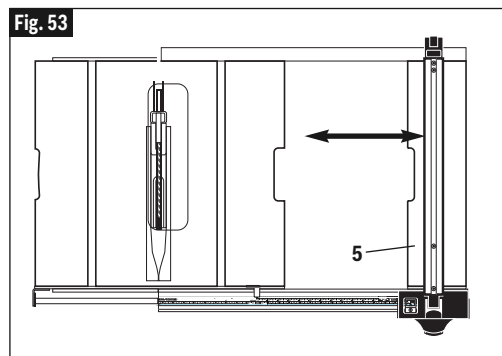
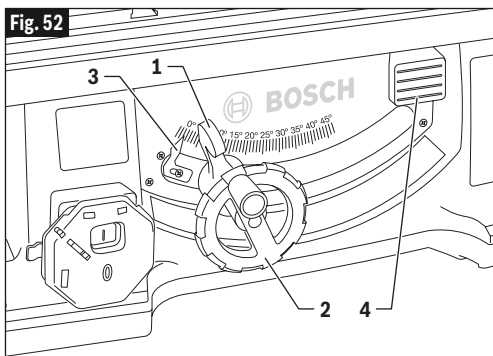


CONTROL DE INCLINACIÓN DE LA HOJA

Afloje el mango de fijación de la inclinación de la hoja **1** en sentido contrario al de las agujas del reloj (Fig. 52), deslice la rueda de elevación **2** hasta que el indicador **3** esté en el ángulo deseado y apriete el mango de fijación de la inclinación de la hoja **1** en el sentido de las agujas del reloj.

AJUSTE DE LA EXTENSIÓN DE LA MESA

Para extender la mesa, suba el mango de fijación de la extensión de la mesa **4** (Fig. 52) y deslice la extensión de la mesa **5** hasta el ancho deseado (Fig. 53). Para fijar el ajuste de la mesa, baje el mango de fijación **4**.



Utilización básica de la sierra de mesa

Utilización del tope-guía para cortar al hilo

⚠ ADVERTENCIA Para su propia seguridad, siga siempre las siguientes precauciones de seguridad además de las instrucciones de seguridad de las páginas 104, 105, 106, 107, 108, 109, 110.

EL CORTE AL HILO, EL CORTE AL HILO EN BISEL, EL REASERRADO Y EL CORTE DE REBAJOS se realizan utilizando el TOPE-GUIA PARA CORTAR AL HILO junto con el TOPE-GUIA AUXILIAR / APOYO DE LA PIEZA DE TRABAJO, EL PALO DE EMPUJAR O EL BLOQUE DE EMPUJAR.

1. Nunca haga estos cortes A PULSO (sin utilizar el tope-guía para cortar al hilo o los dispositivos auxiliares cuando sea necesario) porque la hoja podría atascarse en el corte y causar RETROCESO.
2. Fije siempre el tope-guía para cortar al hilo firmemente cuando se esté utilizando.
3. Retire de la mesa el calibre de ingletes durante toda operación que utilice el tope-guía para cortar al hilo.
4. Asegúrese de que el protector de la hoja está instalado para todos los cortes del tipo de aserrado pasante. Vuelva a colocar el protector INMEDIATAMENTE después de terminar las operaciones de reaserrado y corte de rebajos, mortajas o molduras.
Compruebe frecuentemente la acción del DISPOSITIVO ANTIRRETOCESO pasando la pieza de trabajo junto al separador mientras la sierra esté APAGADA. Tire de la pieza de trabajo HACIA usted. Si los TRINQUETES no PENETRAN en la pieza de trabajo y la SUJETAN... hay que CAMBIAR o AFILAR los trinquetes. (Vea "Mantenimiento de la sierra de mesa" en la página 150).
5. Haga que la hoja sobresalga aproximadamente 1/8" (3,2mm) por encima de la parte superior de la pieza de trabajo. Una exposición adicional de la hoja aumentaría la posibilidad de peligro.
6. No se sitúe directamente delante de la hoja en caso de RETROCESO. Sitúese en cualquiera de los lados de la hoja.

7. Mantenga las manos alejadas de la hoja y fuera de la trayectoria de la hoja.
8. Si la hoja se atasca o se detiene durante el corte, APAGUE EL INTERRUPTOR (posición "OFF") antes de intentar liberar la hoja.
9. No ponga las manos encima o detrás de la hoja para tirar de la pieza de trabajo a través del corte ... para sujetar piezas de trabajo largas o pesadas ... para retirar pequeños pedazos cortados de material ni POR NINGUNA OTRA RAZON.
10. No recoja de la mesa pequeños pedazos de material cortado. RETIRELOS empujándolos FUERA de la mesa con un palo largo. De lo contrario podrían ser arrojados hacia usted por la parte posterior de la hoja.
11. No retire pequeños pedazos de material cortado que puedan quedar ATRAPADOS dentro del protector de la hoja mientras la sierra está EN MARCHA. ESTO PODRIA PONER EN PELIGRO LAS MANOS o causar RETROCESO. Apague la sierra. Después de que la hoja haya dejado de girar, suba el protector y retire el pedazo.
12. Si la pieza de trabajo está combada, coloque el lado CONCAVO hacia ABAJO. Esto evitará que oscile mientras se esté cortando.
13. Cuando el "ANCHO DEL CORTE AL HILO" es de 6" (152mm) y MAS, utilice la mano DERECHA para hacer avanzar la pieza de trabajo y utilice la mano IZQUIERDA UNICAMENTE para guiar la pieza de trabajo ... no HAGA AVANZAR la pieza de trabajo con la mano izquierda (Fig. 45).
Cuando el "ANCHO DE CORTE AL HILO" es de 2" a 6" (50 a 152mm), UTILICE EL PALO DE EMPUJAR **22** para hacer avanzar la pieza de trabajo (Fig. 46).
Cuando el ANCHO DE CORTE AL HILO es MAS ESTRECHO de 2" (50mm), NO SE PUEDE utilizar el palo de empujar porque el protector interferirá ... UTILICE el TOPE-GUIA AUXILIAR y el BLOQUE DE EMPUJAR.

CORTE AL HILO

Se conoce como CORTE AL HILO a cortar un pedazo de madera siguiendo la veta, o longi-

Utilización básica de la sierra de mesa

tudinalmente. Esto se hace utilizando el tope-guía para cortar al hilo. Posicione el tope-guía para cortar al hilo para el ANCHO DE CORTE AL HILO deseado y fíjelo en su sitio. Antes de comenzar a cortar al hilo, asegúrese de que:

- El tope-guía para cortar al hilo esté paralelo a la hoja de sierra.
- El separador esté adecuadamente alineado con la hoja de sierra.
- El dispositivo antirretroceso está funcionando correctamente.

Al cortar al hilo TABLAS LARGAS o PANELES GRANDES, utilice siempre un soporte para la pieza de trabajo (Fig. 45). El juego de mesa de soporte de avance de salida de la sierra de mesa Bosch (TS1008, TS1016) es un accesorio ideal para utilizarse en esta aplicación.

CORTE AL HILO EN BISEL

Al cortar al hilo en bisel material de 6" (152mm) o más estrecho, utilice el tope-guía para cortar al hilo en el lado derecho de la hoja UNICAMENTE. Esto proporcionará más espacio entre el tope-guía para cortar al hilo y la hoja de sierra para utilizar un palo de empujar. Si el tope-guía para cortar al hilo se monta a la izquierda, el protector de la hoja de sierra puede interferir con el uso adecuado de un palo de empujar.

Sujete el tope-guía auxiliar **AF** al tope-guía para cortar al hilo con dos abrazaderas en "C" (Fig. 48).

Haga avanzar la pieza de trabajo a mano hasta que el extremo se encuentre aproximadamente a 1" (25mm) del borde delantero de la mesa. Continúe haciendo avanzar la pieza de trabajo utilizando el BLOQUE DE EMPUJAR **3** en la parte superior del tope-guía auxiliar HASTA QUE SE TERMINE DE REALIZAR EL CORTE (Fig. 49).

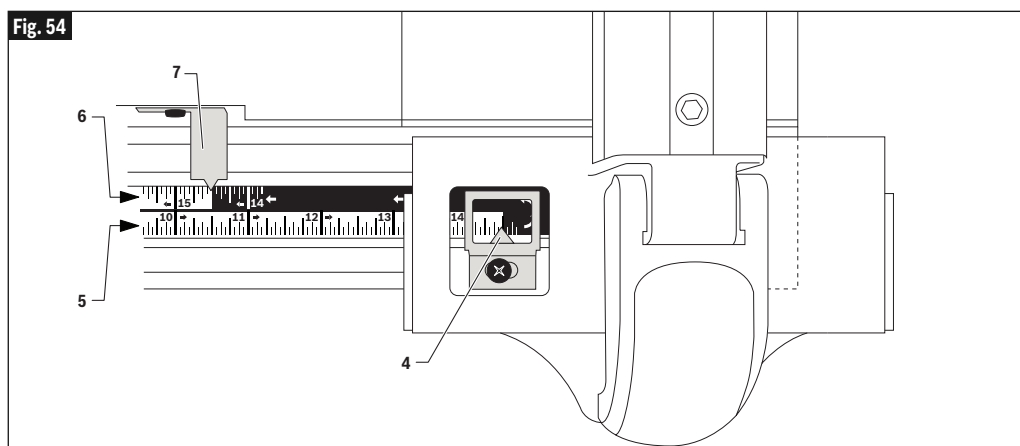
UTILIZACIÓN DEL INDICADOR DEL TOPE-GUÍA PARA CORTAR AL HILO (SÓLO SI LA MESA NO ESTÁ EXTENDIDA)

El tope-guía para cortar al hilo muestra la distancia desde la hoja hasta el tope-guía para cortar al hilo a través de una práctica ventana de visualización y aumento.

Alinee el indicador del tope-guía para cortar al hilo **4** con la porción inferior de la escala **5**. La escala inferior puede utilizarse hasta 14,5 pulgadas (Fig. 54).

UTILIZACIÓN DEL INDICADOR DE LA MESA (SÓLO SI LA MESA ESTÁ EXTENDIDA AL MÁXIMO)

Mueva el tope-guía para cortar al hilo hasta la marca de 14,5 pulgadas y fíjelo en esa posición. La porción superior de la escala **6** se utiliza para hacer cortes al hilo de 14,5 a 30 pulgadas (368 a 762 mm). Alinee el indicador de la mesa **7** con la porción superior de la escala **6** (Fig. 54).



Utilización básica de la sierra de mesa

Utilización del calibre de ingletes

⚠ ADVERTENCIA Para su propia seguridad, siga siempre las siguientes precauciones de seguridad además de las instrucciones de seguridad de las páginas 104, 105, 106, 107, 108, 109, 110.

DURANTE EL CORTE TRANSVERSAL, EL CORTE A INGLETE, EL CORTE EN BISEL, EL CORTE A INGLETE COMPUESTO y al CORTAR REBAJOS transversalmente al extremo de una pieza de trabajo estrecha se utiliza el CALIBRE DE INGLETES.

Nunca haga estos cortes a pulso (sin utilizar el calibre de ingletes u otros dispositivos auxiliares) porque la hoja podría atascarse en el corte y causar RETROCESO o hacer que los dedos o la mano resbalen y entren en contacto con la hoja.

Fije siempre el calibre de ingletes firmemente cuando se esté utilizando.

Retire de la mesa el tope-guía para cortar al hilo durante toda operación que utilice el calibre de ingletes.

El calibre de ingletes incluye un disco con ranura en "T" **5** para facilitar su inserción en la ranura de la mesa y su remoción rápida de la mesa (Fig. 55).

Cuando realice un corte transversal y la hoja esté ajustada a 90° ó 45° respecto a la mesa, el calibre de ingletes se puede utilizar en cualquiera de las dos ranuras de la mesa. Cuando realice un corte transversal y la hoja esté inclinada, use la ranura del lado derecho de la mesa donde la hoja se inclina alejándose de las manos del usuario y del calibre de ingletes.

PARA AJUSTAR EL ÁNGULO DE INGLETE:

Afloje el pomo de fijación **1** y ajuste el cuerpo del calibre de ingletes **2** de manera que el indicador **3** esté en el ángulo deseado y luego apriete el pomo de fijación **1** (Fig. 55).

El cuerpo del calibre de ingletes **2** se detendrá en 90° y en 45° tanto a la derecha como a la izquierda. Para girar el cuerpo del calibre de ingletes **2** más allá de estos puntos, la placa de tope **4** se debe bascular para retirarla del paso.

CORTE TRANSVERSAL

Se conoce como CORTE TRANSVERSAL a cortar madera en dirección transversal a la

Fig. 55

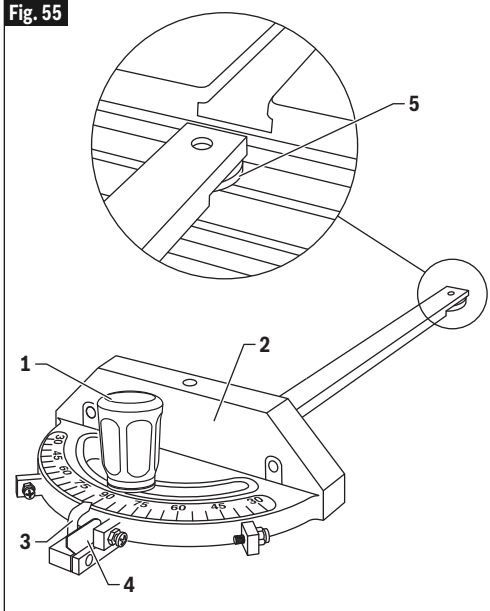
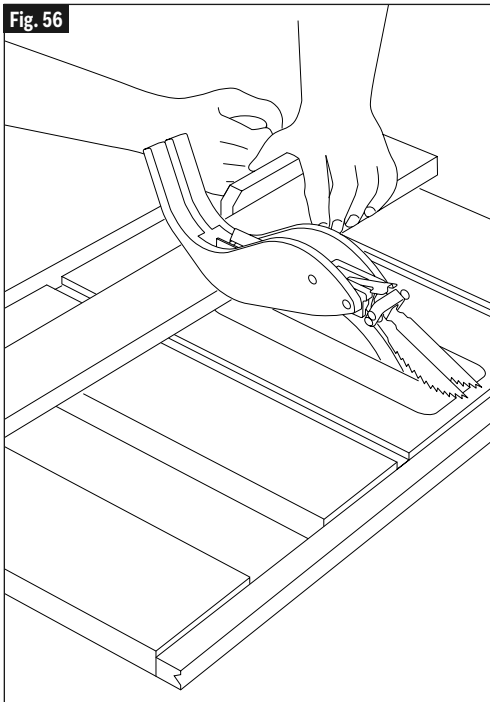


Fig. 56



veta, a 90°, o en ángulo recto tanto con el borde como con el lado plano de la madera.

Utilización básica de la sierra de mesa

Esto se hace con el calibre de ingletes ajustado a 90° (Fig. 56).

Asegúrese de que el protector de la hoja está instalado para todas las operaciones de "aserrado pasante" (cuando la hoja de sierra corta completamente a través del grosor de la pieza de trabajo). Vuelva a colocar el protector INMEDIATAMENTE después de terminar cortes de mortajas, molduras o rebajos. Haga que la hoja sobresalga aproximadamente 1/8" (3,2mm) por encima de la parte superior de la pieza de trabajo. Una exposición adicional de la hoja aumentaría la posibilidad de peligro.

No se sitúe directamente delante de la hoja en caso de RECHAZO. Sitúese en cualquiera de los lados de la hoja.

Mantenga las manos alejadas de la hoja y fuera de la trayectoria de la hoja.

Si la hoja se atasca o detiene durante el corte, APAGUE EL INTERRUPTOR (posición "OFF") antes de intentar liberar la hoja.

No ponga las manos encima o detrás de la hoja para tirar de la pieza de trabajo a través del corte ... para sujetar piezas de trabajo largas o pesadas....para retirar pedazos cortados de material ni POR NINGUNA OTRA RAZON.

No recoja de la mesa pequeños pedazos de material cortado. RETIRELOS empujándolos FUERA de la mesa con un palo largo. De lo contrario podrían ser arrojados hacia usted por la parte posterior de la hoja.

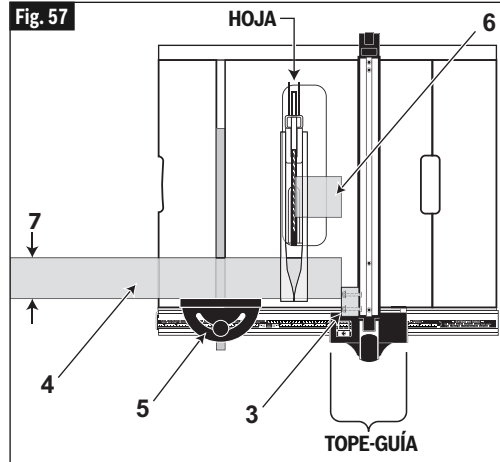
No retire pequeños pedazos de material cortado que puedan quedar ATRAPADOS dentro del protector de la hoja mientras la sierra está EN MARCHA. ESTO PODRIA PONER EN PELIGRO LAS MANOS o causar un RETROCESO. Apague la sierra. Después de que la hoja haya dejado de girar, suba el protector y retire el pedazo.

Si la pieza de trabajo está combada, coloque el lado CONCAVO hacia ABAJO. Esto evitará que oscile mientras se está cortando.

Las graduaciones del calibre de ingletes proporcionan precisión para el trabajo corriente de madera. En algunos casos en los que se requiere máxima precisión, al hace cortes angulares, por ejemplo, haga un corte de prueba y luego compruébelo con una escuadra precisa o un transportador de ángulos.

Si es necesario, la cabeza del calibre de ingletes se puede inclinar ligeramente para compensar cualquier imprecisión.

NOTA: El espacio entre la barra del calibre de



ingletes y la ranura de la mesa se mantiene al mínimo durante la fabricación.

Para obtener máxima precisión al utilizar el calibre de ingletes, "favorezca" siempre un lado de la ranura de la mesa. En otras palabras, no mueva el calibre de ingletes de lado a lado mientras corta, pero mantenga un lado de la barra desplazándose contra un lado de la ranura.

NOTA: Encole un pedazo de papel de lija **1** en la cara de la cabeza del calibre de ingletes. Esto ayudará a evitar que la pieza de trabajo se desplace mientras es cortada.

El calibre de ingletes se puede utilizar en cualquiera de las ranuras de la mesa. Asegúrese de que se encuentra fijo.

Al utilizar el calibre de ingletes en la ranura de la IZQUIERDA, sujete la pieza de trabajo firmemente contra la cabeza del calibre con la mano izquierda y agarre el pomo de fijación con la mano derecha.

Al utilizar la ranura de la DERECHA, sujete la pieza de trabajo con la mano derecha y el pomo de fijación con la mano izquierda.

CORTE TRANSVERSAL REPETITIVO

Se conoce como CORTE TRANSVERSAL REPETITIVO a cortar una cantidad de pedazos de la misma longitud sin tener que marcar cada pedazo. Cuando haga cortes repetitivos en una pieza de trabajo larga, asegúrese de que dicha pieza esté soportada. Vea la Fig. 57.

No utilice nunca el tope-guía para cortar al hilo como tope de longitud directo, ya que la pieza cortada podría atorarse entre el tope-

Utilización básica de la sierra de mesa

guía para cortar al hilo y la hoja, y causar retroceso.

Cuando instale el bloque de refrentado, asegúrese de que el bloque esté bastante por delante de la hoja de sierra, porque la pieza cortada podría atorarse entre el tope-guía para cortar al hilo y la hoja, y causar retroceso.

REALIZACIÓN DEL CORTE TRANSVERSAL REPETITIVO

- A. Cuando haga cortes repetitivos, sujete firmemente un bloque de refrentado de madera al tope-guía para cortar al hilo de la manera que se muestra en la ilustración. La ranura en T ubicada en el tope-guía para cortar al hilo permite instalar un bloque de refrentado. Vea la Figura 57.
- B. Deslice el tope-guía para cortar al hilo (con el bloque de refrentado) hasta una posición que dé la longitud de la tabla que usted desea repetir. Bloquee el tope-guía para cortar al hilo en esa posición. Nota: Si está usando la escala del riel delantero de la sierra durante la preparación, asegúrese de mover el tope-guía 1-1/2 pulgadas (38mm) adicionales como compensación para tener en cuenta el grosor del bloque de refrentado.
- C. Deslice la pieza de trabajo **4** a lo largo del calibre de ingletes **5** hasta que toque el bloque de refrentado **3** y sujétela firmemente.
- D. Haga una “pasada de prueba” (de práctica). Con la sierra desenchufada, mueva el calibre de ingletes y la pieza de trabajo a lo largo del bloque de refrentado hasta que toque la hoja inactiva (la hoja se ajusta 1/4 de pulgada (6mm) más alta que la pieza de trabajo). **Nota:** La pieza de trabajo DEBE ESTAR separada del bloque de refrentado ANTES de que entre en contacto con la hoja. La capacidad de corte transversal **7** para estos cortes es de 7-1/2 pulgadas (191mm) con una pieza de trabajo de 3/4 (19mm), ó 6-3/4 pulgadas (171mm) con una pieza de trabajo de 1-1/2" (38mm). Si la “pasada de prueba” tiene éxito, vaya al próximo paso.
- E. Conecte la sierra a la fuente de energía.

Encienda la sierra... Haga el corte... Apague la sierra... Y retire la pieza cortada **6** después de que la hoja se haya detenido y antes de cortar la próxima pieza.

CORTE A INGLETE

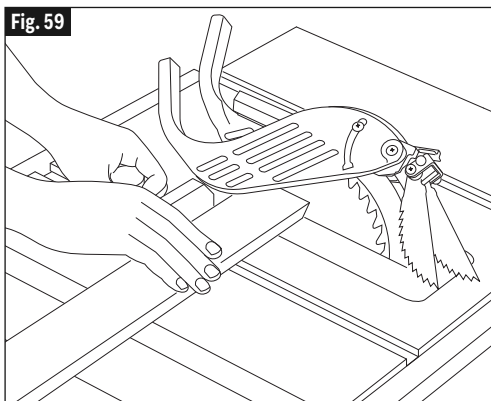
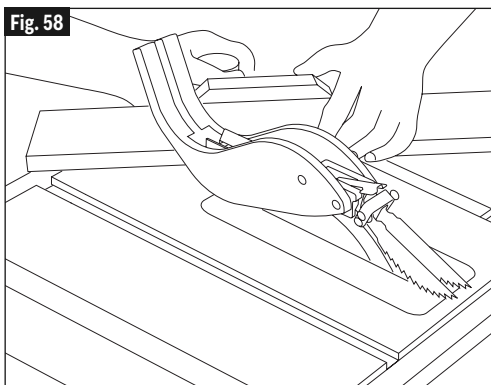
Se conoce como CORTE A INGLETE a cortar madera a un ángulo distinto a 90° con el borde de la madera. Siga el mismo procedimiento que seguiría para cortar transversalmente (Fig. 58).

Ajuste el calibre de ingletes al ángulo deseado y fjelo.

El calibre de ingletes se podrá utilizar en cualquiera de las ranuras de la mesa.

Al utilizar el calibre de ingletes en la ranura de la IZQUIERDA, sujete la pieza de trabajo firmemente contra la cabeza del calibre de ingletes con la mano izquierda y agarre el pomo de fijación con la mano derecha.

Al utilizar la ranura de la DERECHA, sujete la



Utilización básica de la sierra de mesa

pieza de trabajo con la mano derecha y el pomo de fijación con la mano izquierda.

CORTE TRANSVERSAL EN BISEL

EL CORTE TRANSVERSAL EN BISEL es lo mismo que el corte transversal, excepto que la madera también se corta en un ángulo ... distinto a 90° con el lado plano de la madera (Fig. 59).

Ajuste la hoja al ángulo deseado.

Utilice el calibre de ingletes en la ranura que se encuentra a la DERECHA de la hoja.

CORTE A INGLETE COMPUESTO

EL CORTE A INGLETE COMPUESTO es una combinación del corte a inglete y el corte transversal en bisel. El corte se hace a un ángulo distinto de 90° respecto al borde y a la superficie plana de la madera (Fig. 59).

Ajuste el calibre de ingletes y la hoja al ángulo deseado ... Asegúrese de que el calibre de ingletes está fijo.

Aserrado no pasante

Añada una tabla de refrentado plana de 8 pulgadas (203 mm) de altura al tope-guía para cortar al hilo, a lo largo de toda la longitud de dicho tope (Fig. 60).

Utilice tablas con canto biselado para todas las operaciones de "aserrado no pasante" (cuando haya que retirar el protector de la hoja de sierra). Las tablas con canto biselado **1** se utilizan para mantener la pieza de trabajo en contacto con el tope-guía para cortar al hilo y la mesa tal como se muestra en la ilustración y para detener retrocesos.

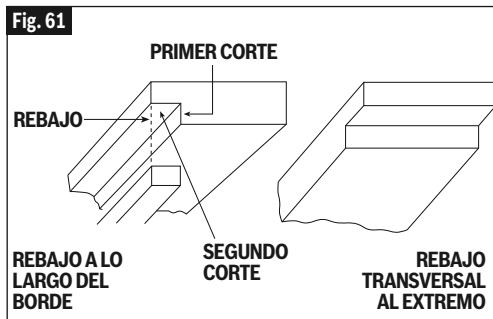
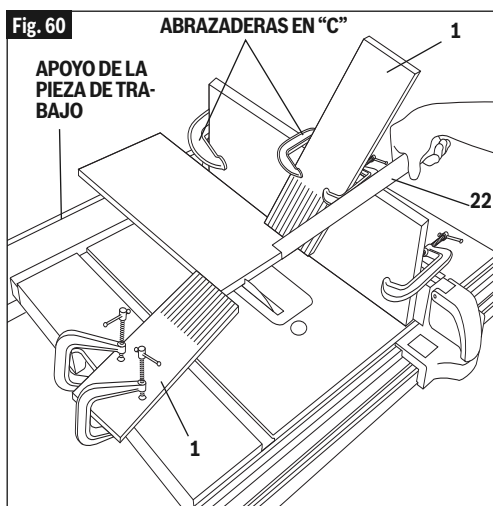
Monte las tablas con canto biselado **1** en el tope-guía para cortar al hilo y en la mesa tal como se muestra en la ilustración, de manera que los bordes de avance de las tablas con canto biselado soporten la pieza de trabajo hasta que se termine de realizar el corte y la pieza de trabajo haya sido empujada por completo pasado el cortador (hoja de sierra, fresa rotativa de cortar mortajas, fresa de moldear, etc.) con un palo de empujar **22**, igual que al cortar al hilo.

Antes de comenzar la operación, apague la sierra y ajuste el cortador por debajo de la superficie de la mesa.

- A. Instale las tablas con canto biselado para que ejerzan presión sobre la pieza de trabajo; asegúrese de que están colocadas firmemente.
- B. Asegúrese mediante la realización de pruebas de que las tablas con canto biselado detendrán el retroceso en caso de que éste se produzca.

Las tablas con canto biselado no se emplean durante las operaciones de aserrado no pasante cuando se utiliza el calibre de ingletes.

Vuelva a colocar el protector de la hoja de



sierra en cuanto termine de realizar la operación de aserrado no pasante.

CORTE DE REBAJOS

Se conoce al CORTE DE REBAJOS como el corte de una sección de la esquina de un pedazo de material transversalmente a un ex-

Utilización básica de la sierra de mesa

tremo o a lo largo de un borde (Fig. 61).

La realización de un CORTE DE REBAJO requiere cortes que no atraviesen completamente el material. Por lo tanto, hay que quitar el protector de la hoja.

- A. Quite el protector de la hoja.
- B. Para cortar rebajos a lo largo de un borde (el lado largo de la pieza de trabajo) tal como se muestra en la ilustración, añada un refrentado al tope-guía para cortar al hilo a una altura aproximadamente igual al ancho de la pieza de trabajo. Ajuste el tope-guía para cortar al hilo y la hoja a las dimensiones requeridas; luego, haga el primer corte con la tabla en posición horizontal sobre la mesa; siga la preparación de la Fig. 60. Haga un segundo corte con la pieza de trabajo en el borde. Siga todas las precauciones, instrucciones de seguridad e instrucciones de funcionamiento de la misma manera que para cortar al hilo o para operaciones del tipo de corte al hilo, incluyendo tablas con canto biselado y palo de empujar, etc.
- C. Para cortar rebajos transversalmente a un extremo, para piezas de trabajo de 10-1/2" (267mm) y más estrechas, haga el corte de rebajo con la tabla en posición horizontal sobre la mesa. Utilizando el calibre de ingletes equipado con un refrentado, siga los mismos procedimientos e instrucciones que para cortar transversalmente realizando cortes sucesivos transversalmente al

ancho de la pieza de trabajo para obtener el ancho de corte deseado. NO use el tope-guía para cortar al hilo para cortar rebajos transversalmente al extremo.

- D. INSTALE EL PROTECTOR DE LA HOJA INMEDIATAMENTE DESPUES DE TERMINAR LA OPERACION DE CORTE DE REBAJOS.

Los cortes de rebajos también se pueden realizar en una pasada de la pieza de trabajo sobre el cortador utilizando la fresa rotativa de cortar mortajas o la fresa de moldear.

CORTE DE MORTAJAS Y MOLDURAS

Las instrucciones para utilizar la sierra con juegos de fresas de mortajar y moldurar están contenidas en el folleto suministrado con estos accesorios.

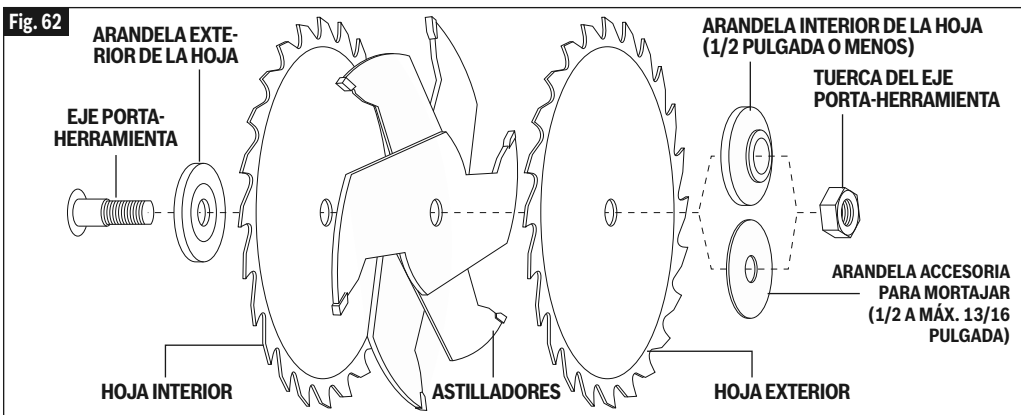
UTILICE SIEMPRE UN ACCESORIO DE INSERCIÓN DE LA MESA BOSCH APROPIADO Y LAS ARANDELAS INDICADAS EN ACCESORIOS RECOMENDADOS (consulte la página 152).

COLOQUE SIEMPRE LAS ARANDELAS DE LA HOJA EN LAS POSICIONES ORIGINALES CUANDO HAYA ACABADO DE CORTAR MORTAJAS O MOLDURAS.

INSTALACIÓN DE UN JUEGO DE MORTAJAR

⚠ ADVERTENCIA Para reducir el riesgo de lesiones, desconecte siempre el enchufe de la fuente de energía antes de cambiar las hojas.

⚠ ADVERTENCIA Utilice siempre el accesorio de inserción de la mesa de hoja de mortajar



Utilización básica de la sierra de mesa

Bosch No.TS1007 (viene con una arandela accesoria para mortajar). No haga nunca cortes de mortajas sin este accesorio de inserción. No use juegos de mortajar de más de 8 pulgadas (203mm) de diámetro. No ajuste nunca los cortadores de mortajar a cualquier ángulo de bisel que no sea el ángulo de 0° vertical. Haga caso de todas las advertencias e instrucciones mostradas aquí y las que acompañan al juego de mortajar. Si no se hace caso de estas advertencias, el resultado podría ser lesiones corporales graves.

⚠ ADVERTENCIA Para reducir el riesgo de lesiones, no utilice juegos de mortajar de más de 8 pulgadas (203mm) de diámetro. La sierra no está diseñada para aceptar fresas de mortajar de tamaños más grandes.

Un juego de mortajar es un sistema accesorio que se utiliza para hacer ranuras no pasantes o cortes de superposición en piezas de trabajo. Estas herramientas se utilizan comúnmente en la construcción de muebles y gabinetes. Después de que se hayan hecho apropiadamente los cortes de mortajas en las piezas de trabajo, éstas se pueden unir compactamente. La mesa de sierra 4100XC puede acomodar el corte de mortajas hasta 13/16 de pulgada (20,6mm) de ancho en una sola pasada.

UTILIZACIÓN DE JUEGOS DE MORTAJAR APILADOS

⚠ ADVERTENCIA Para reducir el riesgo de lesiones o daños materiales, lea y siga todas las Instrucciones de utilización/seguridad incluidas con el juego de mortajar antes de usarlo.

⚠ ADVERTENCIA Para reducir el riesgo de lesiones, no utilice nunca una sola hoja de mortajar para realizar cortes de aserrado pasante normal. No utilice nunca asilladores sin ambos cortadores exteriores. Lea y siga las instrucciones de utilización y seguridad incluidas con el juego de mortajar.

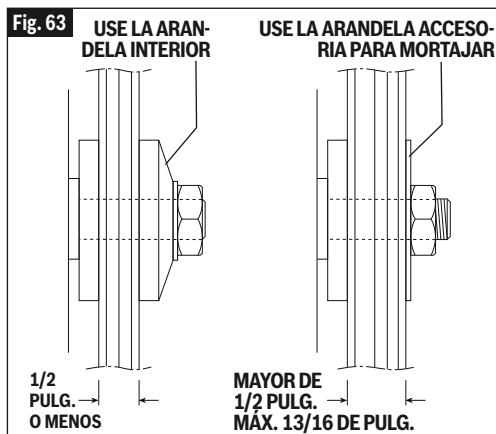
⚠ ADVERTENCIA Para reducir el riesgo de lesiones, no pase nunca las manos sobre las hojas de mortajar cuando estén cortando. Los cortes de mortajas son cortes no pasantes (ciegos). Muchas veces los cortadores no se pueden ver durante la realización del corte. Consulte la página 145 para obtener instrucciones

sobre el aserrado no pasante.

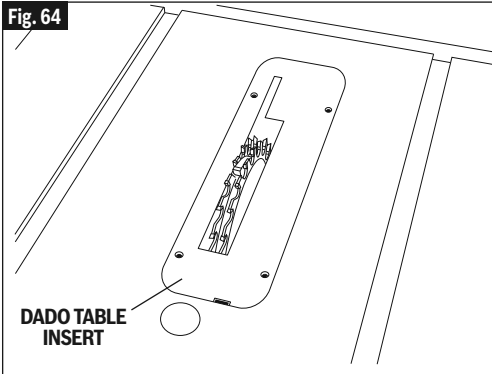
⚠ ADVERTENCIA Para reducir el riesgo de lesiones, no haga nunca cortes a pulso. La pieza de trabajo se debe sostener contra el tope-guía para cortar al hilo o el calibre de ingletes de la sierra mientras se hace que dicha pieza avance. Siempre que sea posible, use palos de empujar o bloques de empujar para realizar cortes al hilo (consulte la página 137). Utilice siempre tablas de canto biselado, acopladas a la mesa o al tope-guía para cortar al hilo, cuando corte al hilo (consulte la página 145). Cuando corte transversalmente, sujete firmemente la pieza de trabajo contra el calibre de ingletes (consulte la página 142).

NOTA: Estas instrucciones se aplican cuando se utilizan la mayoría de juegos de mortajar apilados estándar. No utilice el juego de mortajar si las instrucciones del fabricante difieren de las que se proporcionan a continuación.

1. Desconecte el enchufe de la fuente de energía.
2. Retire el ensamblaje del protector de barrera y el dispositivo antirretroceso (consulte las páginas 121 y 122 del manual). Baje la cuchilla separadora a su posición más baja y bloquéela.
3. Retire la placa de inserción de la mesa estándar. Suba la hoja de sierra hasta la altura máxima.
4. Retire la tuerca del eje portaherramienta y luego la arandela exterior, la hoja de sierra y la arandela interior de



Utilización básica de la sierra de mesa



la hoja (consulte la página 123). Nota: Para cortar mortajas solamente, las arandelas se deben instalar de manera diferente (Fig. 63).

5. Instalación de un apilamiento de mortajar (Fig. 62)
 - A. Coloque la arandela exterior (plana) de vuelta en el eje portaherramienta. Para cortar mortajas, esto servirá como la arandela interior.
 - B. Coloque las piezas deseadas del juego de mortajar en el eje portaherramienta.
 - C. Coloque la arandela suministrada del juego de accesorios de mortajar (TS1007) en el lado exterior del apilamiento de mortajar.
 - D. Coloque de nuevo la tuerca del eje portaherramienta en dicho eje y apriétela (Fig. 63).
6. Colocación de las hojas de mortajar y los astilladores: (vea la Fig. 62)
 - Para realizar cortes de más de 1/4 de pulgada (6mm) de ancho, coloque las dos hojas (cortadores) exteriores de mortajar en el eje. Las dos hojas exteriores de mortajar pueden ser diferentes. Consulte la información sobre la hoja y las instrucciones del fabricante para realizar una instalación correcta.
 - Para realizar cortes más anchos (de hasta 13/16 de pulgada [20,6mm] como máximo), se pueden colocar hojas astilladoras y espaciadores solamente entre las hojas (cortadores) exteriores.

NOTA: La tuerca del eje portaherramienta debe estar completamente acoplada en las roscas del eje. Si la anchura apilada es de más de 1/2 pulgada, no use la arandela interior de la sierra de mesa. En lugar de ello, utilice la arandela accesoria para mortajar (incluida con el accesorio de inserción de la mesa para mortajar Bosch TS1007). Con esta sierra, no exceda un grosor apilado de más de 13/16 de pulgada.

7. Baje las hojas por debajo del tablero de la mesa e inserte el accesorio de inserción de la mesa de mortajar Bosch TS1007 (Fig. 64). Suba los cortadores hasta la profundidad de corte deseada (por encima del accesorio de inserción). Asegúrese de que la herramienta no esté enchufada en una fuente de energía y luego gire cuidadosamente a mano los cortadores para asegurarse de que todos los componentes estén firmemente sujetos y que no haya interferencias.
8. Enchufe la sierra en la fuente de energía. Utilizando madera de desecho, haga cortes de mortajas de práctica y ajuste la altura según corresponda.

NOTA: Como los cortes de mortajas son cortes no pasantes, el calibre de ingletes se puede utilizar con el tope-guía para cortar al hilo bloqueado en su sitio. Esto es útil cuando se realizan cortes transversales repetitivos de mortajas desde los extremos de más de una pieza de trabajo. Cada pieza se sujeta contra el calibre de ingletes y su extremo se desliza a lo largo del tope-guía para cortar al hilo a una distancia prefijada.

Dependiendo de la profundidad de corte final y/o la densidad del material, es posible que sea necesario realizar múltiples cortes, comenzando con profundidades pequeñas de 1/4 a 1/2 pulgada (6mm a 13mm) y progresando hasta la profundidad final. Cuando realice muchos cortes repetitivos de mortajas, compruebe periódicamente las piezas de trabajo para asegurarse de que se mantenga la profundidad de corte.

REGRESO DE LA SIERRA A CORTE PASANTE NORMAL

Después de completar el corte de ranuras, asegúrese de devolver las arandelas interior y exterior a las posiciones originales (consulte la página 123 para obtener detalles). Es importante que las arandelas de equipo orig-

Utilización básica de la sierra de mesa

inal estén en las posiciones correctas para que la hoja de sierra se alinee siempre con la cuchilla separadora instalada permanentemente (Fig. 63).

JUEGOS DE MORTAJAR AJUSTABLES U OSCILANTES

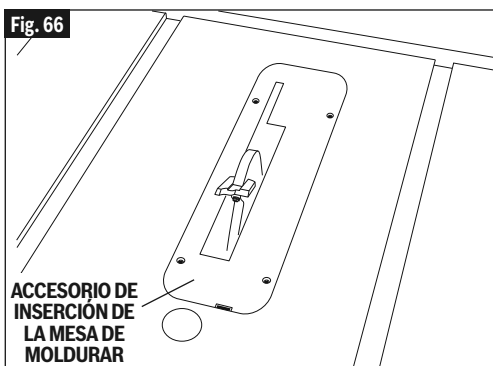
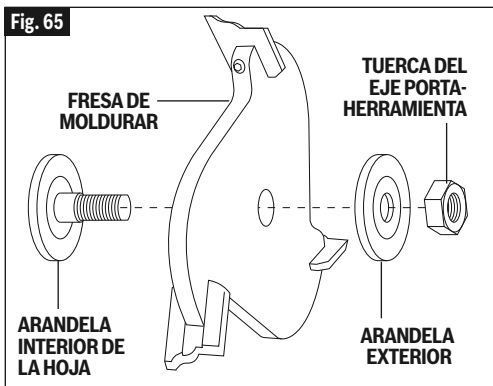
⚠ ADVERTENCIA Para reducir el riesgo de lesiones, no use juegos de mortajar ajustables u “oscilantes” en esta sierra. Los juegos de mortajar ajustables se pueden ubicar fácilmente en posiciones que podrían interferir con los componentes de trabajo de esta sierra.

INSTALACIÓN DE UN JUEGO DE FRESAS DE MOLDURAR

⚠ ADVERTENCIA Para reducir el riesgo de lesiones, desconecte siempre el enchufe de la fuente de energía antes de cambiar las hojas.

⚠ ADVERTENCIA Para reducir el riesgo de lesiones, utilice siempre el accesorio de inserción de la mesa de moldurar Bosch No.TS1009. No haga nunca cortes con las fresas de moldurar sin este accesorio de inserción. No utilice juegos de fresas de moldurar de más de 7 pulgadas (178mm) de diámetro y con cortadores de más de 1 pulgada (25mm) de ancho. No ajuste nunca los cortadores de moldurar a cualquier ángulo de bisel que no sea el ángulo de 0° vertical. Haga caso de las advertencias e instrucciones que se muestran aquí y las que acompañan al juego de fresas de moldurar. Si no se hace caso de estas advertencias, el resultado podría ser lesiones corporales graves.

⚠ ADVERTENCIA Para reducir el riesgo de lesiones, no pase nunca las manos sobre los cortadores de las fresas de moldurar cuando estén cortando. Los cortes de moldura son cortes no pasantes (ciegos). Muchas veces los cortadores no se pueden ver durante la realización del corte. Consulte la página 145 para obtener instrucciones sobre el aserrado no pasante. La pieza de trabajo se debe sostener contra el tope-guía para cortar al hilo de la sierra mientras se hace que dicha pieza avance. Se debe acoplar un tope-guía auxiliar al tope-guía para cortar al hilo de la sierra (consulte la página 138). No haga nunca cortes a pulso. Siempre que sea posible, use palos de empujar y bloques de em-



pujar para realizar cortes de molduras (consulte la página 137). Use tablas de canto biselado y sujeciones, acopladas a la mesa o al tope-guía para cortar al hilo (consulte la página 145). **IMPORTANTE:** Siga todas las instrucciones y advertencias que vienen con el juego de fresas de moldurar.

Se puede utilizar un juego de fresas de moldurar para añadir una variedad de bordes decorativos a una pieza de trabajo de madera. Estos bordes se ven comúnmente en molduras de orilla y muebles.

NOTA: Deje la arandela interior en su posición de aserrado original. Instale la fresa de moldurar, luego la arandela exterior y luego la tuerca del eje portaherramienta. Asegúrese de que todos los cortadores y la tuerca del eje portaherramienta estén apretados firmemente. Algunos juegos de fresas de moldurar vienen con una arandela/espaciador de grosor adicional; esta pieza no se debe usar en la sierra de mesa 4100XC.

A. Desconecte el enchufe de la fuente de

Utilización básica de la sierra de mesa

- energía. Suba la hoja de sierra hasta la altura máxima.
- B. Retire el ensamblaje del protector de barrera y el dispositivo antirretroceso (consulte la página 107 y 108). Baje la cuchilla separadora hasta su posición más baja y bloquéela.
 - C. Retire la placa de inserción de la mesa estándar.
 - D. Retire la tuerca del eje portaherramienta y solamente la arandela exterior de la hoja y la hoja de sierra (consulte la página 110). **NOTA:** Deje la arandela interior de la hoja en el eje portaherramienta.
 - E. Coloque la fresa de moldurar contra la arandela interior (con los cortadores orientados hacia la parte delantera de la sierra). Luego, coloque la arandela exterior y apriete la tuerca del eje portaherramienta en dicho eje.
 - F. Baje los cortadores por debajo del tablero de la mesa e inserte el accesorio de inserción de la mesa de moldurar Bosch TS1009 (Fig. 66). Suba los cortadores hasta la profundidad de corte deseada (por encima del accesorio de inserción). Asegúrese de que la herramienta no esté enchufada en una fuente de energía; luego, gire cuidadosamente a mano los cortadores para asegurarse de que todos los componentes estén sujetos firmemente y que no haya interferencias.
 - G. Enchufe la sierra en la fuente de en-

ergía. Utilizando madera de desecho, haga cortes de moldura de práctica y ajuste la altura según corresponda.

REGRESO DE LA SIERRA A CORTE PASANTE NORMAL

Después de completar el corte de moldura, asegúrese de devolver las arandelas interior y exterior a las posiciones originales (consulte la página 123 para obtener detalles). Es importante que las arandelas de equipo original estén en las posiciones correctas para que la hoja de sierra se alinee siempre con la cuchilla separadora instalada permanentemente.

Técnicas de corte especiales

⚠ ADVERTENCIA No intente realizar cortes que no estén cubiertos en este manual, a menos que esté totalmente familiarizado con los procedimientos apropiados y la utilización de dispositivos de fijación adecuados.

Esta sierra de mesa es una herramienta sumamente versátil, capaz de realizar una amplia gama de cortes altamente especializados que no se pueden cubrir en este manual.

Vaya a la biblioteca local para obtener libros sobre técnicas de trabajo en madera tales como: *The Complete Book of Stationary Power Tool Techniques* (El Libro completo de técnicas para herramientas mecánicas estacionarias) de R.J. De Christoforo o *Table Saw Techniques* (Técnicas para sierras de mesa) de R. Cliffe.

Mantenimiento de la sierra de mesa

MANTENIMIENTO GENERAL

⚠ ADVERTENCIA Para su propia seguridad, apague el interruptor (posición "OFF") y saque el enchufe del tomacorriente de la fuente de energía antes de realizar mantenimiento de la sierra o de lubricarla.

⚠ ADVERTENCIA Todas las reparaciones, eléctricas o mecánicas, deben ser realizadas únicamente por técnicos de reparación capacitados. Póngase en contacto con el Centro de servicio de fábrica más próximo o con la Estación de servicio autorizada o con otro servicio de reparaciones competente. Util-

ice únicamente piezas de repuesto idénticas; cualquier otra puede constituir un peligro.

⚠ PRECAUCIÓN Ciertos agentes de limpieza y disolventes pueden dañar las piezas de plástico. Algunos de estos son: gasolina, tetracloruro de carbono, disolventes de limpieza clorados, amoníaco y detergentes domésticos que contienen amoníaco. El evitar utilizar estos y otros tipos de agentes de limpieza minimizará la posibilidad de que se produzcan daños.

No permita que se acumule serrín dentro de la sierra. Utilice frecuentemente un cepillo para retirar todo el polvo que se acumule

Mantenimiento de la sierra de mesa

dentro del gabinete de la sierra y el motor. Limpie sus herramientas de corte con un quitagomas y quitaresinas.

Limpie periódicamente el protector con un trapo o un cepillo.

Hay que limpiar el cordón y la herramienta con un paño limpio y seco para evitar el deterioro debido al aceite y la grasa.

Una capa de pasta de cera del tipo para automóvil aplicada a la mesa ayudará a mantener la superficie limpia y permitirá que las piezas de trabajo se deslicen más libremente.

Si el cordón de energía está desgastado o cortado, o dañado de cualquier otra manera, haga que lo cambien inmediatamente.

Asegúrese de que los dientes del dispositivo antirretroceso siempre estén afilados. Para afilarlos:

- A. Retire el dispositivo antirretroceso de la cuchilla separadora.
- B. Rote un trinquete alejándolo del otro.
- C. Sostenga el trinquete sobre la esquina del banco de trabajo (Fig. 67).
- D. Utilizando una pequeña lima redonda (picadura dulce), afile los dientes.

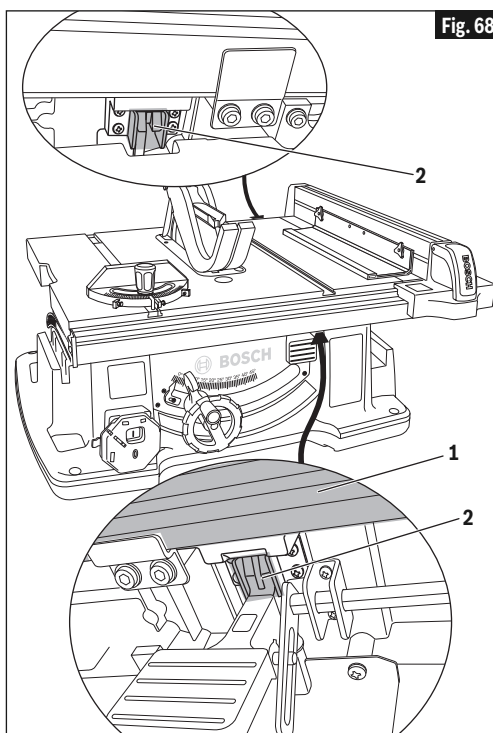
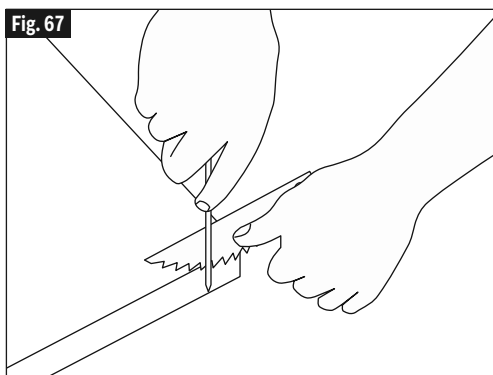
LUBRICACIÓN

La caja de engranajes ha sido completamente lubricada en fábrica. Sin embargo, después de seis meses a un año, según el uso, es aconsejable llevar la herramienta al Centro de servicio más cercano para hacer lo siguiente:

- Cambiar las escobillas.
- Limpiar e inspeccionar piezas.
- Relubricar con lubricante nuevo.
- Comprobar el sistema eléctrico
- Todas las reparaciones.

Las piezas siguientes deben engrasarse de vez en cuando con aceite SAE No. 20 ó No. 30, o WD 40 (Fig. 68).

1. Rieles deslizantes y soportes
2. Levas de fijación de la mesa (delantera y trasera).



Aditamentos

⚠ ADVERTENCIA Utilice únicamente los aditamentos recomendados. Siga las instrucciones que acompañan a los aditamentos. Es posible que el uso de aditamentos incorrectos cause peligros.

Artículo	No. de cat.
Soporte de avance de salida trasero	TS1016
Soporte de avance izquierdo	TS1008
Bolsa para polvo	TS1004
Accesorio de inserción de holgura cero	TS1005
Juego de accesorio de inserción de mortajar	TS1007
Accesorio de inserción de moldeado	TS1009
Sistema de guía de empuje	TS1010
Base de soporte de elevación por gravedad Gravity-Rise con ruedas para sierras de mesa	TS2100
Adaptador de manguera de aspiración	VAC004

Resolución de problemas

⚠ ADVERTENCIA Apague el interruptor (posición “OFF”) y saque siempre el enchufe de la fuente de energía antes de localizar y reparar averías.

Problema	Causa	Medida correctiva
La sierra no arranca	El cordón de energía no está enchufado.	Enchufe la sierra.
	El fusible o el cortacircuito ha saltado.	Cambie el fusible o reajuste el cortacircuito que ha saltado.
	Cordón dañado.	Haga cambiar el cordón en un Centro de servicio Bosch autorizado o en una Estación de servicio Bosch autorizada.
	Interruptor quemado.	Haga cambiar el interruptor en un Centro de servicio Bosch autorizado o en una Estación de servicio Bosch autorizada.
La hoja no alcanza toda su velocidad	Cordón de extensión demasiado ligero o demasiado largo.	Sustitúyalo con un cordón adecuado.
	Voltaje de red bajo.	Póngase en contacto con la compañía eléctrica.
Vibración excesiva	No se ha apretado el mango de fijación de la inclinación.	Vea la sección “Familiarización con la sierra de mesa”, (páginas 114–115).
	Hoja desequilibrada.	Tire la hoja y use una hoja distinta.
	Sierra no montada firmemente en un apoyo o banco de trabajo.	Apriete todas las piezas de montaje. Vea la sección “Montaje de la sierra de mesa”, (página 125).
	Tuerca del eje portaherramienta no apretada.	Vea la sección “Ensamblaje”, “Cambio de la hoja” (página 122).
No se puede hacer un corte en ángulo recto al cortar transversalmente	Calibre de ingletes no ajustado adecuadamente.	Vea la sección “Ajustes de funcionamiento”, “Ajuste del calibre de ingletes” (página 126).
El corte se atasca, quema, detiene el motor al cortar al hilo	Hoja desafilada con triscado inadecuado de los dientes.	Afile o cambie la hoja.
	Tabla combada.	Asegúrese de que el lado cóncavo o ahuecado está orientado HACIA ABAJO y haga avanzar lentamente.
	Tope-guía para cortar al hilo no paralelo a la hoja.	Vea la sección “Ajustes de funcionamiento”, “Alineación del tope-guía para cortar al hilo” (página 127).
	Separador desalineado.	Vea la sección “Ensamblaje”, “Colocación del protector de la hoja” (página 123).
Corte no alineado en las posiciones de 90° o 45°	Tornillos de ajuste no ajustados adecuadamente.	Vea la sección “Ajustes de funcionamiento”, “Ajuste de la hoja paralela al calibre de ingletes” (página 126).
Rueda de elevación del mango de fijación de la inclinación difícil de mover	Mango de fijación de la inclinación no aflojado al realizar el ajuste de inclinación.	Vea la sección “Familiarización con la sierra de mesa”, “Pomo de fijación de la inclinación de la hoja” (página 114–115).
	Serrín en las roscas del tornillo de profundidad.	Vea la sección “Mantenimiento de la sierra de mesa”, “Lubricación” (página 151).

This page was intentionally left blank.
Cette page a été laissée vierge intentionnellement.
Esta página se dejó intencionalmente en blanco.

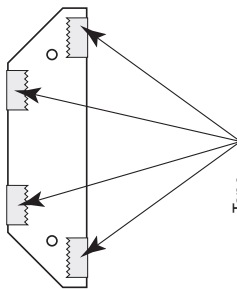


**MITER GAUGE
TEMPLATE - FOR
ADDING MOUNTING
HOLES (FOR
ATTACHMENT OF
AUXILIARY FACING)**

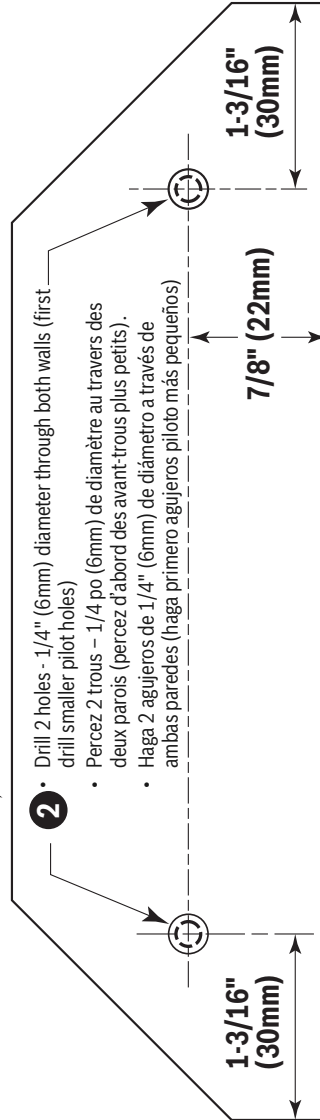
**GABARIT POUR
GUIDE DE COUPE
ANGULAIRE POUR
AJOUTER DES
TROUS DE
MONTAGE (POUR
FIXER UN GUIDE
AUXILIAIRE)**

**PLANTILLA PARA EL
CALIBRE DE
INGLETES: PARA
AÑADIR AGUJEROS
DE MONTAJE (PARA
COLOCAR UN
REFRENTADO
AUXILIAR)**

- Follow steps:
 - suivez les étapes :
 - siga los pasos:
- 1** Cut out template around outside edges, place over face of the miter gauge, as shown above, and tape down.
 - Coupez le gabarit le long des bords extérieurs, placez-le sur la face du guide de coupe angulaire comme indiqué ci-dessus, et fixez-le avec du ruban adhésif.
 - Corte la plantilla alrededor de los bordes exteriores, colóquela sobre la cara del calibre de ingletes, de la manera que se muestra más arriba, y sujétala con cinta adhesiva.



- Tape
- ruban adhésif
- cinta adhesiva



- 2** Drill 2 holes - 1/4" (6mm) diameter through both walls (first drill smaller pilot holes)
 - Percez 2 trous - 1/4 po (6mm) de diamètre au travers des deux parois (percez d'abord des avant-trous plus petits).
 - Haga 2 agujeros de 1/4" (6mm) de diámetro a través de ambas paredes (haga primero agujeros piloto más pequeños)

LIMITED WARRANTY OF BOSCH PORTABLE AND BENCHTOP POWER TOOLS

Robert Bosch Tool Corporation ("Seller") warrants to the original purchaser only, that all BOSCH portable and benchtop power tools will be free from defects in material or workmanship for a period of one year from date of purchase. SELLER'S SOLE OBLIGATION AND YOUR EXCLUSIVE REMEDY under this Limited Warranty and, to the extent permitted by law, any warranty or condition implied by law, shall be the repair or replacement of parts, without charge, which are defective in material or workmanship and which have not been misused, carelessly handled, or misrepaired by persons other than Seller or Authorized Service Station. To make a claim under this Limited Warranty, you must return the complete portable or benchtop power tool product, transportation prepaid, to any BOSCH Factory Service Center or Authorized Service Station. For Authorized BOSCH Power Tool Service Stations, please refer to your phone directory.

THIS LIMITED WARRANTY DOES NOT APPLY TO ACCESSORY ITEMS SUCH AS CIRCULAR SAW BLADES, DRILL BITS, ROUTER BITS, JIGSAW BLADES, SANDING BELTS, GRINDING WHEELS AND OTHER RELATED ITEMS.

ANY IMPLIED WARRANTIES SHALL BE LIMITED IN DURATION TO ONE YEAR FROM DATE OF PURCHASE. SOME STATES IN THE U.S., SOME CANADIAN PROVINCES DO NOT ALLOW LIMITATIONS ON HOW LONG AN IMPLIED WARRANTY LASTS, SO THE ABOVE LIMITATION MAY NOT APPLY TO YOU.

IN NO EVENT SHALL SELLER BE LIABLE FOR ANY INCIDENTAL OR CONSEQUENTIAL DAMAGES (INCLUDING BUT NOT LIMITED TO LIABILITY FOR LOSS OF PROFITS) ARISING FROM THE SALE OR USE OF THIS PRODUCT. SOME STATES IN THE U.S. AND SOME CANADIAN PROVINCES DO NOT ALLOW THE EXCLUSION OR LIMITATION OF INCIDENTAL OR CONSEQUENTIAL DAMAGES, SO THE ABOVE LIMITATION OR EXCLUSION MAY NOT APPLY TO YOU.

THIS LIMITED WARRANTY GIVES YOU SPECIFIC LEGAL RIGHTS, AND YOU MAY ALSO HAVE OTHER RIGHTS WHICH VARY FROM STATE TO STATE IN THE U.S., PROVINCE TO PROVINCE IN CANADA AND FROM COUNTRY TO COUNTRY.

THIS LIMITED WARRANTY APPLIES ONLY TO PORTABLE AND BENCHTOP ELECTRIC TOOLS SOLD WITHIN THE UNITED STATES OF AMERICA, CANADA AND THE COMMONWEALTH OF PUERTO RICO. FOR WARRANTY COVERAGE WITHIN OTHER COUNTRIES, CONTACT YOUR LOCAL BOSCH DEALER OR IMPORTER.

GARANTIE LIMITÉE DES OUTILS ÉLECTRIQUES PORTATIFS ET D'ÉTABLI BOSCH

Robert Bosch Tool Corporation (le « vendeur ») garantit à l'acheteur initial seulement que tous les outils électriques portatifs et d'établi BOSCH seront exempts de vices de matériaux ou d'exécution pendant une période d'un an depuis la date d'achat. LA SEULE OBLIGATION DU VENDEUR ET LE SEUL RECOURS DE L'ACHETEUR sous la présente garantie limitée, et en autant que la loi le permette sous toute garantie ou condition implicite qui en découlerait, sera l'obligation de remplacer ou réparer gratuitement les pièces défectueuses matériellement ou comme fabrication, pourvu que lesdites défectosités ne soient pas attribuables à un usage abusif ou à quelque réparation bricolée par quelqu'un d'autre que le vendeur ou le personnel d'une station-service agréée. Pour présenter une réclamation en vertu de cette garantie limitée, vous devez renvoyer l'outil électrique portatif ou d'établi complet, port payé, à tout centre de service agréé ou centre de service usine. Veuillez consulter votre annuaire téléphonique pour les adresses.

LA PRÉSENTE GARANTIE NE S'APPLIQUE PAS AUX ACCESSOIRES TELS QUE LAMES DE SCIÉS CIRCULAIRES, MÊCHES DE PERCEUSES, FERS DE TOUPIES, LAMES DE SCIÉS SAUTEUSES, COURROIES DE PONAÇAGE, MEULES ET AUTRES ARTICLES DU GENRE.

TOUTE GARANTIE IMPLICITE SERA LIMITÉE COMME DURÉE À UN AN À COMPTER DE LA DATE D'ACHAT. CERTAINS ÉTATS AMÉRICAINS, CERTAINES PROVINCES CANADIENNES N'ADMETTANT PAS LE PRINCIPE DE LA LIMITATION DE LA DURÉE DES GARANTIES IMPLICITES, IL EST POSSIBLE QUE LES LIMITATIONS CI-DESSUS NE S'APPLIQUENT PAS À VOTRE CAS.

EN AUCUN CAS LE VENDEUR NE SAURAIT ÊTRE TENU POUR RESPONSABLE DES INCIDENTS OU DOMMAGES INDIRECTS (INCLUANT, MAIS NE SE LIMITANT PAS AUX PERTES DE PROFITS) CONSÉCUTIFS À LA VENTE OU L'USAGE DE CE PRODUIT. CERTAINS ÉTATS AMÉRICAINS ET CERTAINES PROVINCES CANADIENNES N'ADMETTANT PAS LE PRINCIPE DE LA LIMITATION NI L'EXCLUSION DES DOMMAGES INDIRECTS ET CONSÉQUENTIELS, IL EST POSSIBLE QUE LES LIMITATIONS OU EXCLUSIONS CI-DESSUS NE S'APPLIQUENT PAS À VOTRE CAS.

LA PRÉSENTE GARANTIE VOUS ACCORDE DES DROITS BIEN DÉTERMINÉS, Y COMPRIS POSSIBLEMENT CERTAINS DROITS VARIABLES DANS LES DIFFÉRENTS ÉTATS AMÉRICAINS, PROVINCES CANADIENNE ET DE PAYS À PAYS.

CETTE GARANTIE LIMITÉE NE S'APPLIQUE QU'ÀUX OUTILS ÉLECTRIQUES PORTATIFS ET D'ÉTABLI VENDUS AUX ÉTATS-UNIS D'AMÉRIQUE, AU CANADA ET AU COMMONWEALTH DE PORTO RICO. POUR COUVERTURE DE GARANTIE DANS LES AUTRES PAYS, CONTACTEZ VOTRE IMPORTATEUR OU REVENDEUR BOSCH LOCAL.

GARANTIA LIMITADA PARA HERRAMIENTAS MECANICAS PORTATILES Y PARA TABLERO DE BANCO BOSCH

Robert Bosch Tool Corporation ("el Vendedor") garantiza, únicamente al comprador original, que todas las herramientas mecánicas portátiles y para tablero de banco BOSCH estarán libres de defectos de material o de fabricación durante un período de un año a partir de la fecha de compra. LA ÚNICA OBLIGACION DEL VENDEADOR Y EL RECURSO EXCLUSIVO QUE USTED TIENE bajo esta Garantía Limitada y, hasta donde la ley lo permita, bajo cualquier garantía o condición implícita por ley, consistirá en la reparación o sustitución sin costo de las piezas que presenten defectos de material o de fabricación y que no hayan sido utilizadas incorrectamente, manejadas descuidadamente o reparadas incorrectamente por personas que no sean el Vendedor o una Estación de servicio autorizada. Para efectuar una reclamación bajo esta Garantía Limitada, usted debe devolver el producto, que consiste en la herramienta mecánica portátil o para tablero de banco completa, con el transporte pagado, a cualquier Centro de servicio de fábrica o Estación de servicio autorizada. Para Estaciones de servicio autorizadas de herramientas mecánicas BOSCH, por favor, consulte el directorio telefónico.

ESTA GARANTIA LIMITADA NO SE APLICA A ARTICULOS ACCESORIOS TALES COMO HOJAS PARA SIERRAS CIRCULARES, BROCAS PARA TALADROS, BROCAS PARA FRESADORAS, HOJAS PARA SIERRAS DE VAIVEN, CORREAS PARA LIJAR, RUEDAS DE AMOLAR Y OTROS ARTICULOS RELACIONADOS.

TODAS LAS GARANTIAS IMPLICITAS TENDRAN UNA DURACION LIMITADA A UN AÑO A PARTIR DE LA FECHA DE COMPRA. ALGUNOS ESTADOS DE LOS EE.UU. Y ALGUNAS PROVINCIAS CANADIENSES NO PERMITEN LIMITACIONES EN CUANTO A LA DURACION DE UNA GARANTIA IMPLICITA, POR LO QUE ES POSIBLE QUE LA LIMITACION ANTERIOR NO SEA APLICABLE EN EL CASO DE USTED.

EL VENDEADOR NO SERA RESPONSABLE EN NINGUN CASO DE NINGUN DAÑO INCIDENTAL O EMERGENTE (INCLUYENDO PERO NO LIMITADO A RESPONSABILIDAD POR PERDIDA DE BENEFICIOS) QUE SE PRODUZCA COMO CONSECUENCIA DE LA VENTA O UTILIZACION DE ESTE PRODUCTO. ALGUNOS ESTADOS DE LOS EE.UU. Y ALGUNAS PROVINCIAS CANADIENSES NO PERMITEN LA EXCLUSION O LIMITACION DE LOS DAÑOS INCIDENTALES O EMERGENTES, POR LO QUE ES POSIBLE QUE LA LIMITACION O EXCLUSION ANTERIOR NO SEA APLICABLE EN EL CASO DE USTED.

ESTA GARANTIA LIMITADA LE CONFIERE A USTED DERECHOS LEGALES ESPECIFICOS Y ES POSIBLE QUE USTED TAMBIEN TENGA OTROS DERECHOS QUE VARIAN DE ESTADO A ESTADO EN LOS EE.UU., DE PROVINCIA A PROVINCIA EN CANADA Y DE UN PAIS A OTRO.

ESTA GARANTIA LIMITADA SE APLICA SOLAMENTE A HERRAMIENTAS ELECTRICAS PORTATILES Y PARA TABLERO DE BANCO VENDIDAS EN LOS ESTADOS UNIDOS DE AMERICA, CANADA Y EL ESTADO LIBRE ASOCIADO DE PUERTO RICO. PARA COBERTURA DE GARANTIA EN OTROS PAISES, PONGASE EN CONTACTO CON SU DISTRIBUIDOR O IMPORTADOR LOCAL DE BOSCH.

© Robert Bosch Tool Corporation 1800 W. Central Road Mt. Prospect, IL 60056-2230

Exportado por: Robert Bosch Tool Corporation Mt. Prospect, IL 60056-2230, E.U.A.

Importado en México por: Robert Bosch, S.A. de C.V., Calle Robert Bosch No. 405, Zona Industrial, Toluca, Edo. de México, C.P. 50070, Tel. (722) 2792300



1 6 0 0 A 0 1 Z 1 U