

# STIHL

## STIHL BGA 86

Instruction Manual  
Manual de instrucciones



**! WARNING**

Read Instruction Manual thoroughly before use and follow all safety precautions – improper use can cause serious or fatal injury.

**! ADVERTENCIA**

Antes de usar la máquina lea y siga todas las precauciones de seguridad dadas en el manual de instrucciones – el uso incorrecto puede causar lesiones graves o mortales.



**Instruction Manual**

**1 - 32**

**Manual de instrucciones**

**33 - 67**

# Contents

<b>1</b>	<b>Introduction</b>	<b>2</b>	12.1 Positioning the Connecting Cord	17
<b>2</b>	<b>Guide to Using this Manual</b>	<b>2</b>	12.2 Putting on the Harness	18
2.1	Signal Words	2	<b>13 Assembling the Blower</b>	<b>19</b>
2.2	Symbols in Text	3	13.1 Mounting and Adjusting the Nozzle	19
<b>3</b>	<b>Main Parts</b>	<b>3</b>	<b>14 Inserting and Removing the Battery</b>	<b>19</b>
3.1	Blower and Battery	3	14.1 Inserting the Battery	19
<b>4</b>	<b>Safety Symbols on the Products</b>	<b>3</b>	14.2 Removing the Battery	20
4.1	Blower	3	<b>15 Switching the Blower On and Off</b>	<b>20</b>
4.2	Battery	4	15.1 Switching On	20
<b>5</b>	<b>IMPORTANT SAFETY INSTRUCTIONS</b>	<b>5</b>	15.2 Switching Off	21
5.1	Introduction	5	<b>16 Checking the Controls</b>	<b>21</b>
5.2	Intended Use	5	16.1 Testing the Controls	21
5.3	Operator	5	<b>17 During Operation</b>	<b>22</b>
5.4	Personal Protective Equipment	6	17.1 Using the Blower	22
5.5	Blower	6	<b>18 After Finishing Work</b>	<b>22</b>
5.6	Using the Blower	7	18.1 Preparing for Transportation or Storage	22
<b>6</b>	<b>Battery Safety</b>	<b>10</b>	<b>19 Transporting the Blower and Battery</b>	<b>23</b>
6.1	Warnings and Instructions	10	19.1 Blower	23
<b>7</b>	<b>Maintenance, Repair and Storage</b>	<b>12</b>	19.2 Battery	23
7.1	Warnings and Instructions	12	<b>20 Storing the Blower and Battery</b>	<b>23</b>
<b>8</b>	<b>General Warnings and Instructions</b>	<b>13</b>	20.1 Blower	23
8.1	General Safety Warnings and Instructions for Battery-Powered Products	13	20.2 Battery	24
<b>9</b>	<b>Before Starting Work</b>	<b>14</b>	<b>21 Cleaning</b>	<b>24</b>
9.1	Preparing the Blower for Operation	14	21.1 Cleaning the Blower and Battery	24
<b>10</b>	<b>Charging the Battery</b>	<b>14</b>	<b>22 Inspection and Maintenance</b>	<b>24</b>
10.1	Setting up the Charger	14	22.1 Inspecting and Maintaining the Blower	24
10.2	Charging	14	<b>23 Troubleshooting Guide</b>	<b>26</b>
<b>11</b>	<b>LED Diagnostics and Acoustic Signals</b>	<b>16</b>	23.1 Blower and Battery	26
11.1	STIHL AP Battery	16	<b>24 Specifications</b>	<b>28</b>
11.2	STIHL AR Backpack Battery	16	24.1 STIHL BGA 86	28
<b>12</b>	<b>STIHL AR Backpack Battery</b>	<b>17</b>	24.2 Symbols on the Blower and Battery	28
			24.3 Engineering Improvements	28

# STIHL

This instruction manual is protected by copyright. All rights reserved, especially the rights to reproduce, translate and process with electronic systems.

24.4 FCC 15 Compliance Statement .....	28
<b>25 Replacement Parts and Equipment .....</b>	<b>29</b>
25.1 Genuine STIHL Replacement Parts .....	29
<b>26 Disposal .....</b>	<b>29</b>
26.1 Disposal of the Power Tool .....	29
26.2 Battery Recycling .....	29
<b>27 Limited Warranty .....</b>	<b>30</b>
27.1 STIHL Incorporated Limited Warranty Policy .....	30
27.2 STIHL Incorporated CALIFORNIA ZERO EMISSIONS CONTROL WARRANTY STATEMENT .....	30
<b>28 Trademarks .....</b>	<b>32</b>
28.1 Registered Trademarks .....	32
28.2 Common Law Trademarks .....	32
<b>29 Addresses .....</b>	<b>32</b>
29.1 STIHL Incorporated .....	32

## 1 Introduction

Thank you for your purchase. The information contained in this manual will help you receive maximum performance and satisfaction from your blower and, if followed, reduce the risk of injury from its use.

### SAVE THIS MANUAL!



Because a blower is a high-speed battery-powered tool, special safety precautions must be observed to reduce the risk of personal injury.



Read this instruction manual thoroughly before use and periodically thereafter. Follow all safety precautions. Careless or improper use of the blower can cause serious or fatal injury.

Have your authorized STIHL servicing dealer show you how to operate your power tool.

Do not lend or rent the blower without this instruction manual. Allow only persons who fully understand the information in this manual to operate the blower.

For further information, or if you do not understand any of the instructions in this manual, please go to [www.stihlusa.com](http://www.stihlusa.com) (for Canada: [www.stihl.ca](http://www.stihl.ca)) or contact your authorized STIHL servicing dealer.

## 2 Guide to Using this Manual

### 2.1 Signal Words

This manual contains safety information that requires your special attention. Such information is introduced with the following symbols and signal words:



#### **DANGER**

Indicates a hazardous situation that, if not avoided, will result in death or serious injury.

### **⚠ WARNING**


Indicates a hazardous situation that, if not avoided, could result in death or serious injury.

### **NOTICE**

Indicates a risk of property damage, including damage to the machine or its individual components.

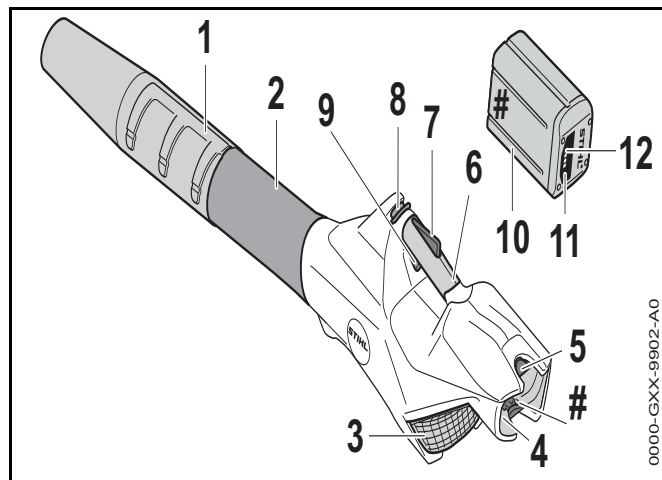
## 2.2 Symbols in Text

The following symbol is included to assist you with the use of the manual:

 Refers to a designated chapter or sub-chapter in this instruction manual.

## 3 Main Parts

### 3.1 Blower and Battery



#### 1 Nozzle

Directs and concentrates the airstream.

#### 2 Blower Tube

Directs the airstream.

#### 3 Intake Screen

Covers the air intake opening and reduces risk of contact with the blower fan.

#### 4 Battery Compartment

Holds the battery.

#### 5 Locking Lever

Secures the battery in the battery compartment.

#### 6 Control Handle

The blower's handle.

#### 7 Ergo-Lever

Holds the retaining latch in the unlocked position.

#### 8 Retaining Latch

Locks/unlocks the trigger switch.

#### 9 Trigger Switch

Switches the motor on and off.

#### 10 Battery

Supplies electrical power to the motor.

#### 11 Battery LEDs

Indicate the battery's state of charge and display error messages regarding potential malfunctions in the battery or power tool.

#### 12 Push Button

Activates the battery's LEDs.

#### # Rating Plate

Contains electrical information and the product's serial number.

## 4 Safety Symbols on the Products

### 4.1 Blower

The following safety symbols are found on the blower.



To reduce the risk of injury, follow the specified safety precautions.



Read and follow all safety precautions in the instruction manual. Improper use can lead to serious or fatal personal injury or property damage.



To reduce the risk of eye injury, always wear proper eye protection, 5.4.



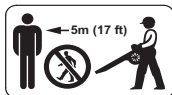
To reduce the risk of personal injury from blown objects, never direct the air flow toward bystanders or pets, 5.6.4.



To reduce the risk of personal injury, keep hair and loose-fitting clothing away from the air intake, 5.4.



To reduce the risk of injury or property damage from unintended activation, remove the battery any time the blower is not in use, 5.5.



To reduce the risk of personal injury from high velocity air flow and blown objects, keep bystanders at least 17 ft. (5 m) away, 5.6.4.

## 4.2 Battery

The following safety symbols are found on the AR series backpack battery and the AP series battery:



To reduce the risk of injury, follow the specified safety precautions.



Read and follow all safety precautions in the battery's instruction manual and the manual for the STIHL tool powered by this battery. Improper use can lead to serious or fatal personal injury or property damage.



To reduce the risk of personal injury or property damage from fire, explosion or burns, including chemical burns, do not disassemble, crush, drop, damage or heat above 212 °F (100 °C). Never expose to fire or incinerate, 6.1.



To reduce the risk of personal injury or property damage from fire, use and store only within an ambient temperature range of 14 °F to 122 °F (- 10 °C to 50 °C), 6.1.

### AR 900, 1000, 2000, 3000 Backpack Batteries



To reduce the risk of personal injury or property damage from a short circuit, fire or explosion, keep dry. Protect from rain, water, liquids and damp conditions. Never immerse in water or other liquids, 6.1.

### AR L Backpack Batteries



To reduce the risk of personal injury or property damage from a short circuit, fire or explosion, keep dry. Never immerse in water or other liquids, 6.1.

### AP Series Batteries



To reduce the risk of personal injury or property damage from a short circuit, fire or explosion, keep dry. Never immerse in water or other liquids, 6.1.

Batteries sold separately.

## 5 IMPORTANT SAFETY INSTRUCTIONS

### 5.1 Introduction

When using an electric blower, basic precautions should always be followed, including the following:

**READ ALL INSTRUCTIONS BEFORE USING THE BLOWER!**

SAVE THESE INSTRUCTIONS

### **▲ WARNING**

- To reduce the risk of fire, explosion, electric shock or other personal injury, read and follow the important safety instructions in this chapter. Additional important warnings and instructions are provided in subsequent chapters of this manual.

### 5.2 Intended Use

### **▲ WARNING**

- This blower is designed for blowing leaves, grass, and similar lightweight material from yards, gardens, sidewalks, driveways, decks, patios and comparable surfaces in the manner and in the conditions described in this manual. Use of the blower for operations different than intended could result in serious injury or death.
  - Blow leaves, grass, and similar lightweight material only.
- Improper use could result in personal injury or property damage, including damage to the blower.
  - Use the blower and battery only as described in this manual.
  - Never attempt to modify or override the blower's controls or safety devices in any way.
  - Never use a blower that has been modified or altered from its original design.

- Be sure to read and follow the warnings and instructions for your battery and charger before charging or starting work.

- This power tool may be powered by a STIHL AP series battery. Alternatively, it may be powered by a STIHL AR series backpack battery in combination with an AP Adapter.

Batteries, chargers and other accessories are sold separately.

### 5.3 Operator

### **▲ WARNING**

- Working with the blower can be strenuous. The operator must be in good physical condition and mental health. To reduce the risk of personal injury from fatigue and loss of control:
  - Check with your doctor before using the blower if you have any health condition that may be aggravated by strenuous work.
  - Do not operate the blower while under the influence of any substance (drug, alcohol or medication, etc.) that might impair vision, balance, dexterity or judgment.
  - Be alert. Do not operate the blower when you are tired. Take a break if you become tired.
  - Do not permit minors to use the blower.
- According to STIHL's current knowledge, the electric motor of this blower should not interfere with a pacemaker.
  - However, persons with a pacemaker or other implanted medical device should consult their physician and device manufacturer before operating this blower.

## 5.4 Personal Protective Equipment

### WARNING

- To reduce the risk of personal injury:
  - Always wear proper clothing and protective apparel, including proper eye protection.
- Loss of control and severe injuries may result if hair, clothing or apparel are drawn into the air intake or otherwise become entangled in the components of the blower. To reduce the risk of severe personal injury:



- Wear sturdy and snug-fitting clothing that also allows complete freedom of movement.
- Wear overalls or long pants made of heavy material to help protect your legs. Do not wear shorts.

- Wear a long-sleeve shirt or jacket.



- Avoid loose-fitting jackets, scarves, neckties, flared or cuffed pants, jewelry and any other apparel that could be drawn into the air intake.
- Secure hair above shoulder level before starting work.

- To reduce the risk of eye injury:



- Always wear goggles or close-fitting protective glasses with adequate side protection that are impact-rated and marked as complying with ANSI Z87 "+".

- Good footing is very important. To help maintain a secure footing and reduce the risk of injury while working:



- Wear substantial footwear with non-slip soles. Do not wear sandals, flip-flops, open-toed or similar footwear.


- To help reduce the risk of personal injury caused by loss of control during operation:



- STIHL recommends wearing heavy-duty non-slip work gloves made of leather or another wear-resistant material when handling the blower.

## 5.5 Blower

### WARNING

- To reduce the risk of electric shock:
  - Do not immerse the blower in water or other fluids.
  - Store the blower indoors.
- This battery-powered blower is intended only for garden and landscape maintenance. Use for other purposes may increase the risk of personal injury and property damage.
  - Read and follow the operating instructions in this manual for approved applications,  17.

- To reduce the risk of personal injury to the operator and bystanders:




- Always release the trigger switch and remove the battery before assembling, transporting, adjusting, inspecting, cleaning, servicing, maintaining or storing the blower, and any other time it is not in use.

- Although certain unauthorized attachments may fit STIHL blowers, their use may be extremely dangerous. Only attachments supplied by STIHL or expressly approved by STIHL for use with this specific model are recommended.

- Use only attachments supplied or expressly approved by STIHL.
- Never modify this blower in any way.
- Never attempt to modify or override the blower's controls or safety devices in any way.
- Never use a blower that has been modified or altered from its original design.
- Do not put any object into the openings of the blower.




- Do not use the blower with any openings blocked.
- Keep the blower free of dust, lint, hair and anything that might reduce air flow.
- If the blower is dropped or subjected to similar heavy impacts:
  - Check that it is undamaged, in good condition and functioning properly before continuing work.
  - Check that the controls and safety devices are working properly.
  - Check the LEDs for error messages,  11.1.2.
  - Check that the battery has not been damaged. Never use or charge a malfunctioning, damaged, cracked, leaking or deformed battery.
  - Never work with a damaged or malfunctioning blower or battery. In case of doubt, have the blower and battery checked by your authorized STIHL servicing dealer.
- If the blower or battery is damaged, not working properly, has been left outdoors, exposed to rain or damp conditions or dropped into water or other liquid, its components may no longer function properly and safety devices may be inoperative. To reduce the risk of personal injury and property damage:
  - Take the blower and battery to your authorized STIHL servicing dealer to be checked before further operation.
- Genuine STIHL replacement parts are specifically designed to match your blower and meet safety and performance requirements. Use of parts that are not authorized or approved by STIHL may cause serious or fatal injury or property damage.
  - STIHL recommends that only identical replacement parts be used.

## 5.6 Using the Blower

### 5.6.1 Before Operation

#### WARNING

- Misuse or unauthorized use may result in personal injury and property damage.
  - Use the blower only as described in this instruction manual.
- Using a blower that is modified, damaged, improperly adjusted or maintained, or not completely and securely assembled can increase the risk of serious personal injury.
  - Never operate a blower that is modified, damaged, improperly maintained or not completely and securely assembled.
  - Always check your blower for proper condition and operation before starting work, particularly the retaining latch, Ergo-Lever and trigger switch.
  - Ensure that the retaining latch, Ergo-Lever and trigger switch move freely and spring back into place when released. The trigger switch must not engage until the retaining latch is unlocked.
  - Never attempt to modify or override the controls or safety devices in any way.
  - If your blower or any part is damaged or does not function properly, take it to your authorized STIHL servicing dealer. Do not use the blower until the problem has been corrected.
- Before inserting the battery:
  - Check the electrical contacts in the battery compartment for corrosion or other foreign matter. Keep clean.
  - Never insert or use a malfunctioning, damaged, cracked, leaking or deformed battery.
  - Read and follow the instructions on switching on the blower,  15.1.

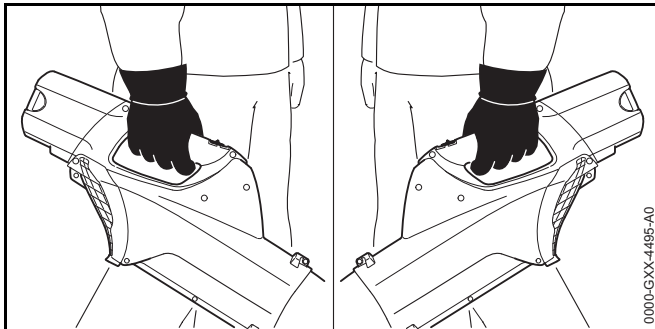
- To help reduce the risk of serious personal injury from unintentional starting:
  - Be sure the retaining latch is in the locked position and the trigger switch is in the off position before inserting the battery.
  - Never carry the blower with your finger on the trigger switch.
  - Release the trigger switch before removing the battery.



- Remove the battery before assembling, transporting, adjusting, inspecting, cleaning, servicing, maintaining or storing the blower, and any other time it is not in use.

- Never leave the blower unattended when the battery is inserted.
- Never store the battery in the blower.

### 5.6.2 Holding and Controlling the Blower



0000-GXX-4495-A0

## ⚠ WARNING

- To maintain a firm grip and properly control your blower:
  - Keep the handle clean and dry at all times. Keep it free of moisture, pitch, oil, grease and resin.
- To reduce the risk of serious or fatal injuries to the operator or bystanders from loss of control:
  - Always hold the blower firmly with one hand when you are working.
  - Wrap your fingers tightly around the handle, keeping the handle cradled between your thumb and forefinger (see illustration).
- To reduce the risk of serious or fatal injuries to the operator or bystanders from loss of control, keep proper footing and balance at all times:
  - Never work on a ladder, roof, in a tree or while standing on any other insecure support.
  - Take special care in overgrown or wet terrain and always watch for hidden obstacles such as tree stumps, roots, rocks, holes and ditches to avoid stumbling.
  - Be extremely cautious when working on slopes or uneven ground.
  - Use extra care when working on stairs.
  - For better footing, always clear away fallen branches, scrub, cuttings and other material, objects or vegetation that can increase the danger of slipping, tripping or falling.
  - Never operate the blower above shoulder height.
  - Do not overreach. Keep proper footing and balance at all times.

### 5.6.3 Working Conditions

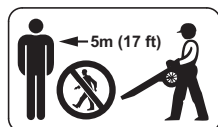
## **⚠** WARNING

- Operate your blower only under good visibility during favorable daylight conditions.
  - Postpone the work if the weather is windy, foggy, rainy or inclement.
- Your blower is a one-person machine.
  - Bystanders, especially children, and animals should not be allowed in the area where it is in use.
  - Switch off the blower immediately if you are approached.
- To reduce the risk of injury to bystanders and unauthorized users:
  - Never leave the blower unattended when the battery is inserted.
  - Switch off the blower and remove the battery during work breaks and any other time the blower is not in use.
- Operating the blower in certain dry, dusty conditions may cause static electricity to build up in the blower tube, nozzle and housing. This static electricity may discharge suddenly with a spark. To reduce the risk of personal injury following static discharge:
  - Never operate the blower in a location where combustible gases, liquids, vapors, dusts or other combustible materials and substances are present.
- Sparks generated from operation of the blower may be capable of igniting combustible gases, liquids, vapors, dusts or other combustible materials and substances. To reduce the risk of fire and explosion:
  - Never operate the blower in a location where combustible gases, liquids, vapors, dusts or other combustible materials and substances are present.
  - Read and follow recommendations issued by government authorities (e.g., OSHA) for identifying and avoiding the hazards of combustible gases, liquids, vapors, dusts or other combustible materials and substances.
- Use of this blower can generate dust and other substances containing chemicals known to cause respiratory problems, cancer, birth defects and other reproductive harm.
  - Consult governmental agencies such as EPA, OSHA, CARB and NIOSH and other authoritative sources on hazardous materials if you are unfamiliar with the risks associated with the particular substances with which you are working.
- Inhalation of certain dusts, especially organic dusts such as mold or pollen, can cause susceptible persons to have an allergic or asthmatic reaction. Substantial or repeated inhalation of dust or other airborne contaminants, especially those with a smaller particle size, may cause respiratory or other illnesses.
  - Control dust at the source where possible.
  - To the extent possible, operate the blower so that the wind or operating process directs any dust, mist or other particulate matter raised by the blower away from the operator.
  - When respirable dust or other particulate matter cannot be kept at or near background levels, always wear a respirator that is approved by NIOSH and rated for worksite-specific conditions. Follow the recommendations of governmental authorities (e.g., OSHA/NIOSH) and occupational and trade associations.
- If the surrounding ground is coated with a chemical substance, such as pesticide or herbicide:
  - Read and follow the instructions and warnings that accompanied the substance coating the vegetation or surrounding ground.

### 5.6.4 Operating Instructions

## ⚠ WARNING

- In the event of an emergency:
  - Switch off the motor immediately and remove the battery.
- The blower fan between the air intake and output opening rotates whenever the motor is running. To reduce the risk of injury from contact with the blower fan:
  - Never operate the blower with a missing, cracked or worn intake screen or housing.
  - Never operate the blower without a properly mounted blower tube and nozzle.
  - Keep hair, loose clothing, fingers and all parts of the body away from openings and moving parts of the blower.
- The air flow from the blower can propel small objects at high speed. To reduce the risk of eye or other serious personal injuries to bystanders from blown objects:



- Keep bystanders and pets at least 17 ft. (5 m) away when the blower is running.



- Never direct the air flow toward bystanders or pets.

- Do not allow the blower to be used as a toy.
- Switch off the blower immediately if you are approached.

- A missing, cracked or worn intake screen or housing may result in an increased risk of injury from thrown objects.
  - Never operate a blower that has a missing, cracked or worn intake screen or housing.
- Inserting any foreign object into the air intake or nozzle may result in property damage, including damage to the blower itself, and serious injury to the operator or bystanders as a result of the object or broken parts being blown at high speed.
  - Never insert any objects into the nozzle or air intake of the blower.
  - Immediately switch off the blower if it starts to vibrate abnormally.
- Using the blower to spread herbicides, pesticides, fertilizers or other chemical substances can be dangerous and may cause serious or fatal injury to persons and damage to the environment.
  - Never use the blower to disperse or spread chemicals of any kind.

## 6 Battery Safety

### 6.1 Warnings and Instructions

## ⚠ WARNING

- Read and follow the safety precautions on the battery and all warnings and instructions that accompany it.

- Use of unauthorized batteries can damage the power tool and result in fire, explosion and personal injury and property damage.
  - Use only genuine STIHL AR or AP series batteries with this power tool.
- Use of STIHL AR or AP series batteries for any purpose other than powering STIHL products could be extremely dangerous.
  - Use STIHL AR and AP series batteries only to power compatible STIHL products.
- Use of unauthorized chargers can damage the battery and result in fire, explosion and personal injury and property damage.
  - Charge STIHL AP series batteries only with genuine STIHL AL 101, AL 300 or AL 500 series chargers.
  - Charge STIHL AR series backpack batteries only with genuine STIHL AL 300 or AL 500 series chargers.
- The battery contains safety features and devices which, if damaged, may allow the battery to generate heat, rupture, leak, ignite or explode.



- Never heat the battery above 212 °F (100 °C).
- Never incinerate or place the battery on or near fires, stoves or other high-temperature locations.
- Never use or charge a malfunctioning, damaged, cracked, leaking or deformed battery.
- Never open, disassemble, crush, drop, subject to heavy impact or otherwise damage the battery.
- Never expose the battery to microwaves or high pressures.
- Never insert objects into the battery's cooling slots.
- Extreme temperatures may cause the battery to generate heat, rupture, leak, ignite or explode, resulting in severe or fatal personal injury and property damage. Exposure to temperatures outside the recommended temperature range may also reduce battery life and performance.



- Use and store the battery only within an ambient temperature range of 14 °F to 122 °F (-10 °C to 50 °C).
- Never store the battery in direct sunlight or inside a vehicle in hot weather.
- To reduce the risk of personal injury and property damage in the event the battery emits smoke, an unusual smell or feels unusually hot while using, charging or storing:
  - Immediately discontinue using or charging the battery. Contact the authorities in the event of fire or explosion.
- To reduce the risk of a short circuit, which could lead to electric shock, fire and explosion:



- Keep STIHL AR 900, 1000, 2000, 3000 backpack batteries dry. Protect from rain, water and other liquids. Attach the rain cover to a STIHL AR 1000, 2000, 3000 battery before starting work in rain or in very damp conditions.
- If a STIHL AP or AR L battery has been exposed to rain during work, remove it from the product and allow it to dry indoors. Make sure it is completely dry before charging or using.
- Never immerse any STIHL battery in water or other liquids.



- Never bridge the battery terminals with wires or other metallic objects.
- Keep a battery that is not in use away from metal objects (e.g., paper clips, nails, coins, keys).
- Never transport or store the battery in a metal container.
- Store the battery indoors in a dry room.
- Never store the battery in damp or corrosive environments or in conditions that could lead to corrosion of its metal components.
- Protect the battery from exposure to corrosive agents such as garden chemicals and de-icing salts.

- Protect the battery from exposure to conductive liquids such as salt water.
- Do not attempt to repair, open or disassemble the battery. There are no user-serviceable parts inside.
- Leaking battery fluid is potentially harmful and can cause skin and eye irritation, chemical burns and other serious personal injury.
  - Avoid contact with skin and eyes.
  - Use an inert absorbent such as sand on spilled battery fluid.
  - In the event of accidental contact, immediately rinse the contact area thoroughly with mild soap and water.
  - If fluid gets into your eye(s): do not rub. Rinse water over the open eye(s) for at least 15 minutes and seek medical attention.
- A battery fire can be dangerous. To reduce the risk of severe personal injury and property damage in the event of fire:
  - Evacuate the area. Fire can spread rapidly. Stay clear of any vapors generated and maintain a safe distance.
  - Contact the fire department.
  - Although water can be used to put out a battery fire, use of a multi-purpose dry chemical fire extinguisher is preferable.
  - Consult the fire department regarding proper disposal of a burned battery.

## 7 Maintenance, Repair and Storage

### 7.1 Warnings and Instructions

#### WARNING

- There are no user-authorized repairs for the battery or blower. To reduce the risk of fire, electric shock or other personal injury and property damage:
  - Users may carry out only the cleaning and maintenance operations described in this manual.
  - Strictly follow the cleaning and maintenance instructions in the appropriate sections of this instruction manual.
  - STIHL recommends that all repair work be performed by authorized STIHL servicing dealers.
- Unintentional starting may result in personal injury or property damage.
  - Remove the battery before inspecting the blower or carrying out any cleaning, maintenance or repair work, before storing, and any other time the blower is not in use.
- Use of parts that are not authorized or approved by STIHL may cause serious or fatal injury or property damage.
  - STIHL recommends that only identical STIHL replacement parts be used for repair or maintenance.
- To reduce the risk of short circuit and fire:
  - Keep the battery guides free of foreign matter. Clean as necessary with a dry cloth or soft, dry brush.
- Improper storage can result in unauthorized use, damage to the blower and battery and an increased risk of fire, electric shock and other personal injury or property damage.
  - Remove the battery from the blower before storing.
  - Never store the blower or charger with the battery inserted.



- Store the blower and battery indoors in a dry, secure place that cannot be accessed by children or other unauthorized users.
- Never store the battery in the blower, in the charger, in a metal container or in a container with metal objects (e.g., paper clips, nails, coins, keys).
- Dropping the battery could result in personal injury or property damage. To prevent the battery from falling during removal:
  - Place the blower on a level surface.
  - Use care when ejecting the battery.
- Recharge only with the charger specified by STIHL. A charger that is suitable for one type of battery may create a risk of fire when used with another battery.
- Use the blower only with the specifically designated batteries. Use of any other battery may create a risk of fire or explosion and personal injury or property damage.
- When the battery is not in use, keep it away from other metal objects, like paper clips, coins, keys, nails or other small metal objects that can make a connection from one terminal to another. Do not store it in a metal container. Shorting the battery terminals together may cause burns or a fire or explosion.
- Under abusive conditions, liquid may be ejected from the battery; avoid contact. If contact accidentally occurs, flush with water. If liquid contacts eyes, additionally seek medical help. Liquid ejected from the battery may cause irritation, chemical burns or respiratory illness from inhalation.
- Do not use a battery or blower that is damaged or modified. Damaged or modified batteries may exhibit unpredictable behavior resulting in fire, explosion and risk of injury or property damage.
- Do not expose a battery or the blower to fire or excessive temperature. Exposure to fire or temperatures above 212 °F (100 °C) may cause fire and explosion.
- Follow all charging instructions and do not charge the battery outside of the ambient temperature range specified. Charging improperly or outside the specified range may damage the battery and increase the risk of fire.
- Have servicing performed by a qualified repair person using only identical replacement parts.
- Do not modify or attempt to repair the blower or the battery pack. Follow the instructions for use and care.

## 8 General Warnings and Instructions

### 8.1 General Safety Warnings and Instructions for Battery-Powered Products

This section contains the general safety warnings and instructions for battery-powered products contained in UL 2595 / CSA C22.2 No. 0.23.




#### **▲ WARNING**

- Read all safety warnings and instructions.
- Failure to follow the warnings and instructions may result in electric shock, fire, explosion and/or serious injury or property damage.
- Prevent unintentional starting. Ensure the trigger switch is in the off-position before inserting the battery, picking up or carrying the blower. Carrying the blower with your finger on the trigger switch or inserting the battery with the trigger switch engaged increases the likelihood of unintended starting and possible accidents.
- Remove the battery from the blower before making any adjustments, changing accessories, or storing. Such preventive safety measures reduce the risk of starting the blower accidentally.

## 9 Before Starting Work

### 9.1 Preparing the Blower for Operation

Before starting work:

- ▶ Fully charge the battery,  10.
- ▶ Mount the nozzle,  13.1.
- ▶ Check the controls for proper function and condition,  16.

## 10 Charging the Battery

### 10.1 Setting up the Charger

#### WARNING

Read and follow the safety precautions on the battery and charger and all warnings and instructions that accompany those products. To reduce the risk of short circuit, which could lead to electric shock, fire and explosion, make sure the charger and its components are dry and not damaged; operate the charger indoors at an appropriate ambient temperature.

#### WARNING

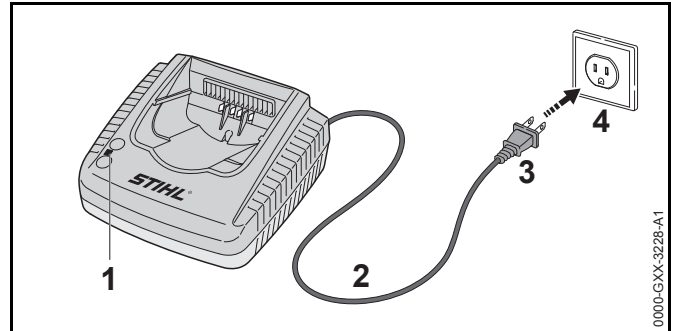
A typical household electric circuit is between 15 and 20 amps. A single STIHL AL 500 charger draws approximately 4.8 amps. A single AL 300 charger draws approximately 4.4 amps. To reduce the risk of fire from overloading an electrical circuit:

- ▶ Ensure the electrical system is rated to withstand the expected electrical draw before charging your battery.
- ▶ Charge multiple batteries one at a time or on separate circuits, unless you know your circuit can handle the total expected draw from multiple chargers.

#### WARNING

Since the charger heats up during the charging process, do not operate the charger on a combustible surface or in a location where combustible gases, liquids, vapors, dusts or other materials and substances are present.

To set up the charger:



- ▶ Insert the plug (3) into a properly installed electrical outlet (4) matching the voltage and electrical frequency stated on the charger's rating plate.

The charger runs a self-test immediately after it is plugged in. The charger LED (1) will glow green for about 1 second, then it will glow red briefly before going out. Once the LED goes out, the self-test is complete and the charger is ready to charge the battery.

- ▶ Position the power supply cord (2) so that it will not be stepped on, tripped over, come in contact with sharp objects or moving parts or otherwise be subjected to damage or stress.

### 10.2 Charging

#### WARNING

STIHL batteries contain safety features and devices which, if damaged, may allow the battery to generate heat, rupture, leak, ignite or explode. Never charge a malfunctioning, damaged, cracked, leaking or deformed battery, or use a charger that has been damaged. Never insert a wet battery



or battery adapter. Never use a wet charger. Follow all product-specific warnings and instructions accompanying your battery and charger.

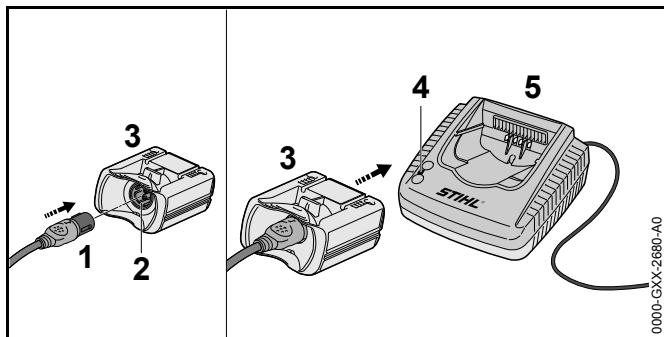
A battery is not fully charged when it ships from the factory. STIHL recommends that you fully charge the battery before using it the first time.

Operate the charger only indoors, in dry rooms and within an ambient temperature range of 41 °F to 104 °F (5 °C to 40 °C).

The battery heats up during operation of the power tool. If a hot battery is connected to the charger, it may be necessary for it to cool down before charging starts. The charging process begins only after the battery has cooled down sufficiently.

Charging time depends on a number of factors, including battery condition and the ambient temperature. For a complete list of approximate charging times, see [www.stihl.com/charging-times](http://www.stihl.com/charging-times).

#### To charge an AR battery:



- ▶ Push the plug of the connecting cord (1) into the socket (2) of the AP Adapter (3) until it stops.

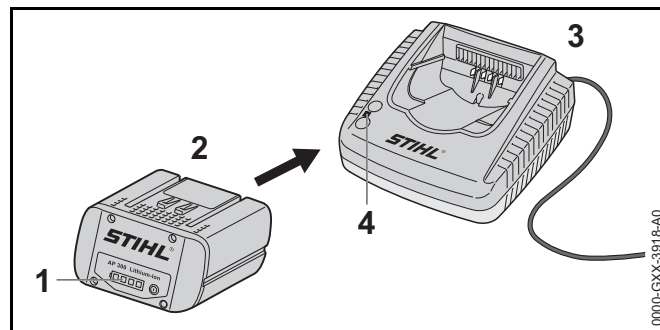
- ▶ Push the AP Adapter into the charger (5) until it stops. The LED on the **charger** (4) glows green when the battery is charging.

The LEDs on the **AR battery** glow green and show the state of charge.

When the LEDs on the battery turn off, the charging process is complete and the charger will shut itself off. The AP Adapter can be removed from the charger.

- ▶ Disconnect the power supply cord from the electrical outlet when the charger is not in use for extended periods of time.
- ▶ Charge STIHL AR backpack batteries only with genuine STIHL AL 300 or AL 500 series chargers.

#### To charge an AP battery:



- ▶ Push the battery (2) into the charger (3) until it stops. The LED on the **charger** glows green when the battery is charging.

The LEDs (1) on the **AP battery** glow green and show the state of charge.

When the LEDs on the battery go out, the charging process is complete and the charger will shut itself off. The AP battery can be removed from the charger.

- ▶ Disconnect the power supply cord from the electrical outlet when the charger is not in use.
- ▶ Charge STIHL AP series batteries only with genuine STIHL AL 101, AL 300 or AL 500 series chargers.

## 11 LED Diagnostics and Acoustic Signals

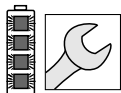
### 11.1 STIHL AP Battery

#### 11.1.1 Battery Status

Four LEDs show the status of the battery. These LEDs can glow or flash green or red.



**If one LED glows red continuously:** the battery is either too hot or too cold. Allow the battery to warm up or cool down gradually at an ambient temperature of about 50 °F to 68 °F (10 °C to 20 °C).



**If all 4 LEDs flash red:** the battery has a malfunction and must be replaced. Do not attempt to charge, use or store the battery.

#### 11.1.2 Power Tool Status

The same LEDs on the battery will indicate the status of the power tool.

**If three LEDs glow red continuously:** the power tool motor is too hot. Allow the motor to cool down.

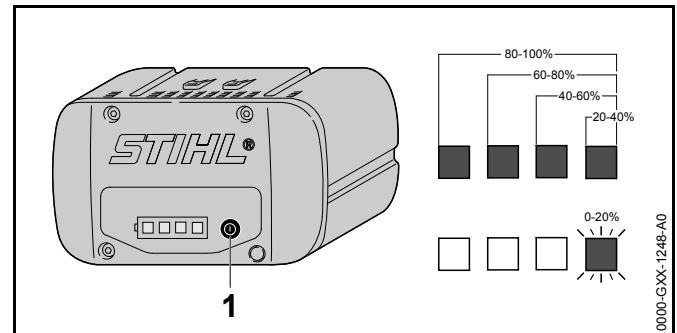
**If three LEDs flash red when you activate the trigger switch:** the power tool has an electrical malfunction. Do not operate the power tool. Have it checked by an authorized STIHL servicing dealer before use or storage.

For troubleshooting information, 23.

#### 11.1.3 Charge Status

The LEDs on the battery also show the battery's state of charge.

To determine the battery's state of charge:



- ▶ Press the button (1) on the battery. The LEDs on the battery will glow or flash green for about 5 seconds and indicate the state of charge (see illustration).

**For example:**

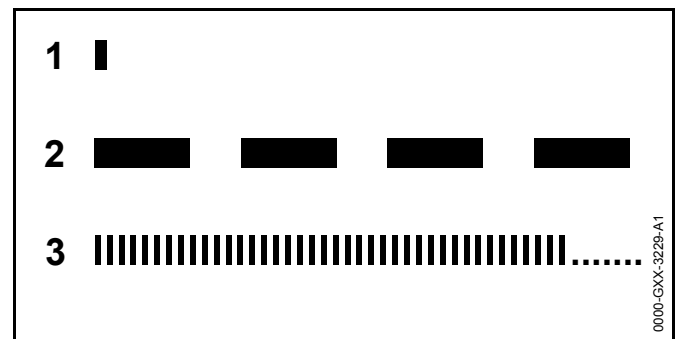
**If four green LEDs glow continuously:** full charge.

**If one green LED is flashing:** less than 20 % charge.

### 11.2 STIHL AR Backpack Battery

#### 11.2.1 Battery Status

Six LEDs and an acoustic signal indicate the status of the battery.



#### 1 A short beep

The acoustic signal works as it should.

## 2 Four or six (AR L) long beeps

The battery's charge is low. Recharge the battery.

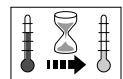
## 3 Rapid succession of short beeps

There is a malfunction in the battery. The signal stops automatically after a few seconds. Do not attempt to charge, use or store the battery. Replace the battery.

These LEDs can glow or flash green or red.



**If one LED glows red continuously:** the battery is either too hot or too cold. Allow the battery to warm up or cool down gradually at an ambient temperature of about 50 °F to 68 °F (10 °C to 20 °C).



**If the four right side LEDs flash red and a rapid succession of several short beeps is emitted:** the battery has a malfunction and must be replaced. Do not attempt to charge, use or store the battery.



- ▶ Be aware that your ability to hear the acoustic signal may be reduced when wearing hearing protection.

### 11.2.2 Power Tool Status

When the battery is connected to the power tool, the same LEDs on the battery will indicate the status of the power tool.

**If three LEDs glow red continuously:** the power tool motor is too hot. Allow the motor to cool down.

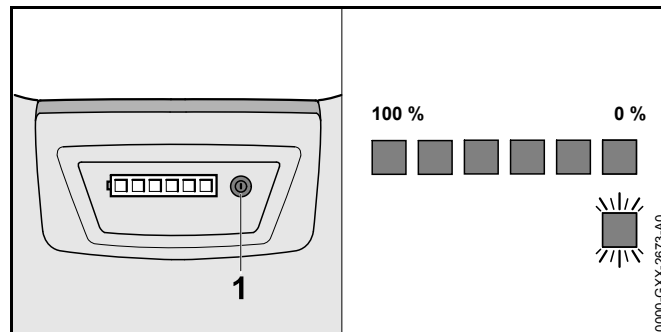
**If three LEDs flash red when you activate the trigger switch:** the power tool has an electrical malfunction. Do not operate the power tool. Have it checked by an authorized STIHL servicing dealer before use or storage.

For troubleshooting information, 23.

### 11.2.3 Charge Status

The LEDs and acoustic signals on the battery also indicate the battery's state of charge.

To determine the battery's state of charge:



- ▶ Press the button (1) on the backpack battery.

A single short beep will be emitted. The LEDs on the battery will glow or flash green for about 5 seconds and indicate the state of charge (see illustration).

**For example:**

**If six green LEDs glow continuously:** full charge.

**If one green LED is flashing and four long beeps are emitted:** less than 20 % charge.

## 12 STIHL AR Backpack Battery

### 12.1 Positioning the Connecting Cord

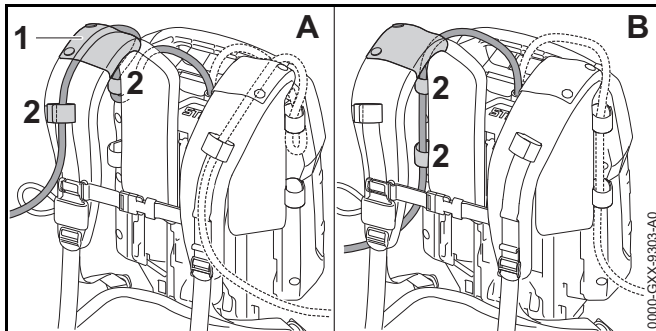
#### WARNING

To reduce the risk of injury from tripping on the connecting cord or losing control of the power tool, always secure the connecting cord with the hook and eye fasteners as described below. Always position and secure the connecting cord so that it will not interfere with the proper working technique as described in the instruction manual for the power tool you are using, or your ability to maintain control of the power tool.

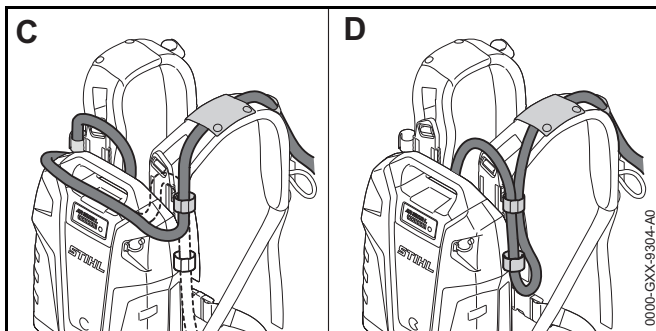
### **⚠ WARNING**

Manage the cord to prevent it from contacting the cutting/working attachment or catching on objects, which could cause you to lose balance or control of the power tool, resulting in serious personal injury and property damage.

The connecting cord can be secured in different positions and adjusted to suit the height and reach of the operator.



The connecting cord can run through the guide (1) on the shoulder strap (Illustration A), or along the back plate (Illustration B). Secure the connecting cord to the harness with the hook and eye fasteners (2). Always secure the connecting cord using the guide or hook and eye fasteners on the side of the body on which the power tool is held and controlled. Do not allow the connecting cord to swing across your body or hang at your side.



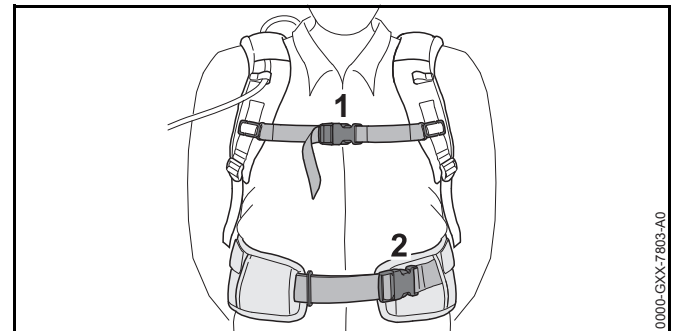
The length of the connecting cord can be adjusted by making a loop around the top (Illustration C) or on the side (Illustration D) of the backpack battery with the hook and eye fasteners.

## 12.2 Putting on the Harness

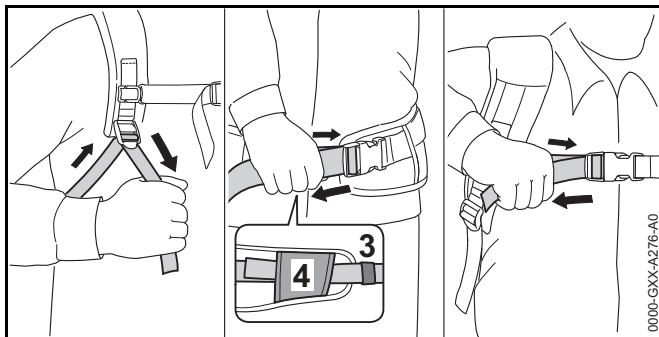
### **⚠ WARNING**

The operator must be able to remove the backpack battery quickly in the event of an emergency. In an emergency, open and remove the waist belt and chest strap quickly before dropping the battery to the ground.

To ensure a proper fit:



- ▶ Put the backpack battery on your back.
- ▶ Fasten and adjust the waist belt (2) so that it rests comfortably but securely on your hips.
- ▶ Fasten the chest strap (1) and adjust it so that it fits comfortably but securely across your chest.



- ▶ Adjust the harness straps so that the back padding fits snugly and securely against your back.
- ▶ Always wear the battery harness over both shoulders.
- ▶ Thread the end of the waist belt through the loops (3) and (4).
- ▶ To remove the harness, open the quick-release fasteners on the waist belt and chest strap and loosen the harness straps by lifting the sliding adjusters.

To help reduce the risk of injury in the event of an emergency, practice quickly opening the fasteners on the waist belt and chest strap, loosening the shoulder straps and removing the battery.

### NOTICE

To avoid damage, ease the battery to the ground when practicing. Do not allow the battery to drop to the ground and do not throw it.

## 13 Assembling the Blower

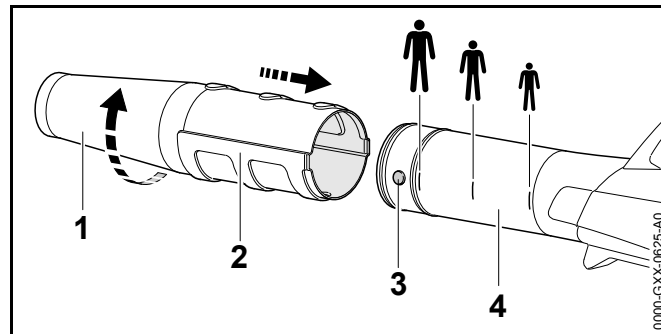
### 13.1 Mounting and Adjusting the Nozzle

#### **!** WARNING

Make sure the battery is removed before starting assembly. Never operate your blower without a properly mounted blower tube and nozzle, 5.6.4. Use only attachments supplied or expressly approved by STIHL, 5.5.

The nozzle can be mounted to the blower tube in three positions to suit the height and reach of the user. The positions are marked on the blower tube.

To mount the nozzle:



- ▶ Align the nozzle mounting lugs (3) with the groove on the nozzle (2) and push the nozzle (1) onto the blower tube (4).
- ▶ Rotate the nozzle in the direction of the arrow until it stops. The nozzle should lock in position.
- ▶ To remove the nozzle, reverse the sequence of steps above.

## 14 Inserting and Removing the Battery

### 14.1 Inserting the Battery

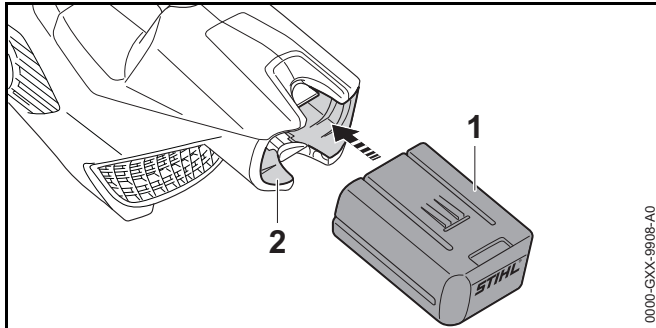
#### **!** WARNING

Never use a malfunctioning, damaged, cracked, leaking or deformed battery, 6. Use and store the battery only within an ambient temperature range of 14 °F to 122 °F (- 10 °C to 50 °C), 6.

#### **!** WARNING


To reduce the risk of unintended activation, never store the battery in the blower, 20.2.

To insert the battery:



- ▶ Place the blower on a level surface.
- ▶ Insert the battery (1) into the battery compartment (2) until it stops.

The battery is properly inserted when you hear an audible click and the battery is flush with the top of the housing. In this position, there is electrical contact between the battery and the blower.

Since a new battery is not fully charged, STIHL recommends that you fully charge the battery before using it the first time,  10.

## 14.2 Removing the Battery

### WARNING

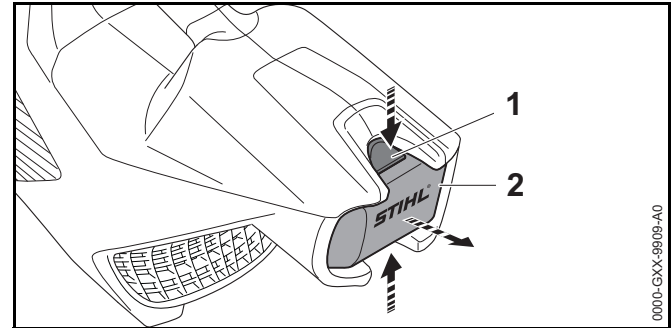
To reduce the risk of severe personal injury from unintended activation, always remove the battery before assembling, transporting, adjusting, cleaning, servicing, maintaining or storing the blower, and any other time it is not in use.

### WARNING

Use care when ejecting the battery to prevent it from falling and causing personal injury or property damage.

To remove the battery:

- ▶ Release the trigger switch.
- ▶ Place the blower on a level surface.
- ▶ Position your hand behind the battery.



- ▶ Compress the locking levers (1) to eject the battery (2) from the battery compartment.



### NOTICE

Avoid exposing the battery to excessive heat or prolonged periods of direct sunlight. Use or storage outside the recommended ambient temperature range can reduce the performance and/or service life of the battery.

## 15 Switching the Blower On and Off

### 15.1 Switching On

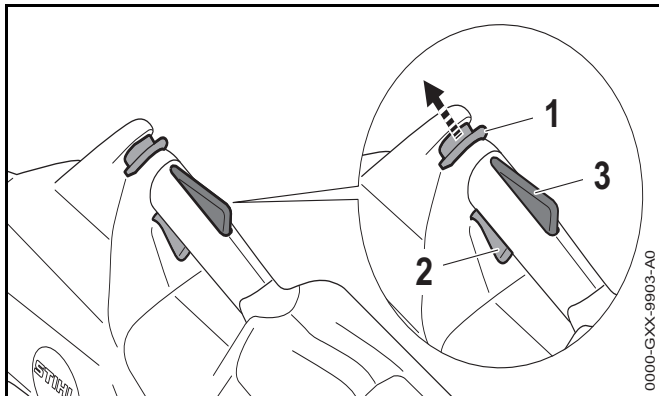
#### WARNING

Never operate your blower if it is modified, damaged, improperly adjusted or maintained, not completely and securely assembled or not functioning properly,  5.5. To reduce the risk of personal injury, always wear proper clothing and protective apparel, including proper eye protection, when operating your blower,  5.4.

Before switching on:

- ▶ Make sure you have a secure and firm footing.
- ▶ Stand upright.
- ▶ Always hold and operate the blower with one hand firmly on the control handle.

To switch the blower on:



- ▶ Unlock the retaining latch (1) by pushing it forward with your thumb. Hold it in this unlocked position.
- ▶ While holding the retaining latch, squeeze the trigger switch (2) with your index finger. The blower will activate.

The motor will not switch on unless the retaining latch is pushed forward and the trigger switch is pressed at the same time. Once the trigger switch is activated, you may release the retaining latch. Holding the Ergo-Lever (3) down keeps the trigger switch unlocked.

The further the trigger switch is depressed, the stronger the blowing force.

If you release the trigger switch and Ergo-Lever, you have to unlock the tool again with the retaining latch.

## 15.2 Switching Off

### WARNING

To reduce the risk of personal injury from unintended activation or unauthorized use, switch off the motor and remove the battery before transporting or putting the blower down.

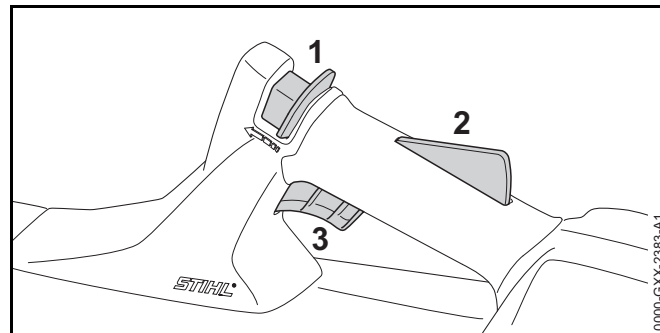
To switch the blower off:

- ▶ Release the trigger switch and Ergo-Lever so that the trigger switch springs back to the locked position. In the locked position, activation of the trigger switch is once again blocked by the retaining latch.

## 16 Checking the Controls

### 16.1 Testing the Controls

Before starting work, confirm that the retaining latch (1), Ergo-Lever (2) and the trigger switch (3) are undamaged and functioning properly.



### Retaining Latch (1), Ergo-Lever (2) and Trigger Switch (3)

### WARNING

To help reduce the risk of injury from blown objects, always wear proper eye protection while testing the controls. Keep bystanders at least 17 ft. (5 m) away.

To test the controls:

- ▶ Remove the battery.
- ▶ Attempt to depress the trigger switch. If the trigger switch can be depressed without first unlocking the retaining latch, take the blower to an authorized STIHL servicing dealer to be repaired before use.



- ▶ Press down on the Ergo-Lever. Make sure it moves freely and springs back into place when released.
- ▶ Unlock the retaining latch by pushing it forward and depressing the Ergo-Lever. When you release the retaining latch, it should remain unlocked as long as you hold the Ergo-Lever.
- ▶ Insert the battery.
- ▶ Hold the blower firmly with one hand on the control handle. While pushing the retaining latch forward, squeeze the trigger switch with your index finger. The blower should switch on. If it does not, take the blower to an authorized STIHL servicing dealer to be repaired before use.
- ▶ Release the trigger switch. The blower should switch off.

If the blower does not switch off after you release the trigger switch, remove the battery and take the blower to an authorized STIHL servicing dealer to be repaired before use.

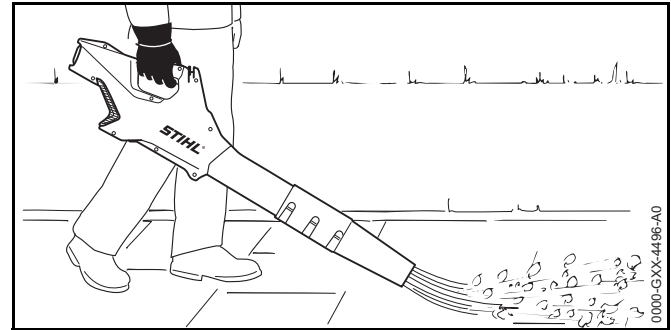
## 17 During Operation

### 17.1 Using the Blower

#### WARNING

Always wear proper clothing and protective apparel, including proper eye protection,  5.4. Never direct the air flow toward bystanders. Keep bystanders at least 17 ft. (5 m) away from the work area,  5.6.4. Work carefully and maintain proper control of the blower.

The blower is designed for single-handed operation with either the right or left hand.



- ▶ Hold the unit firmly with your hand, keeping the handle cradled between your thumb and fingers.
- ▶ Direct the air flow at the edges of the pile of material to be blown.

#### **NOTICE**

Never direct the air flow toward objects such as vehicles or windows.

Observe all applicable laws, regulations, standards and ordinances.



## 18 After Finishing Work

### 18.1 Preparing for Transportation or Storage

#### WARNING

To reduce the risk of personal injury from unintended activation or unauthorized use, switch off the motor and remove the battery before transporting the blower or putting it down.

To prepare the blower for transportation or storage:

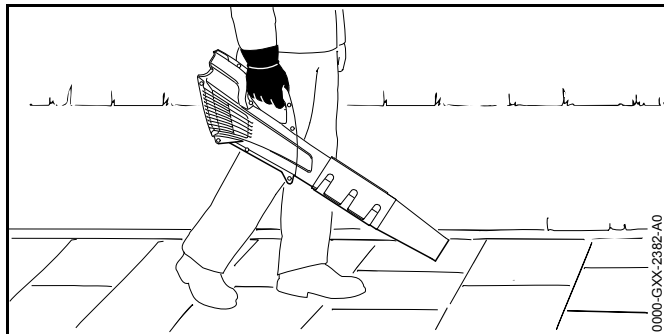
- ▶ Switch off the blower,  15.2.
- ▶ Remove the battery,  14.2.
- ▶ If the battery or blower became wet during operation, allow them to dry separately and completely before charging or storing.



## 19 Transporting the Blower and Battery

### 19.1 Blower


When transporting the blower:



- ▶ When transporting the blower by hand, carry it by the control handle.
- ▶ When transporting the blower in a vehicle, secure and position the blower to prevent turnover, impact and damage.

### 19.2 Battery

#### WARNING

To reduce the risk of a short circuit, which could lead to electric shock, fire and explosion, never transport the battery in a metal container or near metal objects (e.g., paper clips, nails, coins, keys),  6.

When transporting the battery:

- ▶ Place the battery in a non-metal container or carton and secure it against impact or damage. Never transport the battery in a metal or other container that is capable of conducting electricity, or near metal objects (e.g., paper clips, nails, coins, keys).
- ▶ If you are transporting the battery in a vehicle, secure it and its container to prevent turnover, impact and damage.

STIHL batteries comply with the requirements set forth in UN-Manual ST/SG/AC.10/11/Rev.7/Part III, Subsection 38.3.

Commercial air, vessel and ground transportation of lithium ion cells and batteries is regulated. The battery is classified as a UN 3480, Class 9, packaging group II product. Shipping it, either as a complete tool or the battery, requires compliance with all applicable shipping regulations. Check with the ground, vessel, air cargo or passenger airline to determine if transport is prohibited or subject to restrictions or exemptions prior to shipping or travel.

Normally, no further conditions have to be met by the user in order to transport STIHL batteries by road to the power tool's operating site. Check and comply with any special regulations that may apply to your situation.

For further information please go to [www.stihlusa.com/battery-transportation-safety](http://www.stihlusa.com/battery-transportation-safety).


## 20 Storing the Blower and Battery

### 20.1 Blower

#### WARNING



Store the blower indoors in a dry, secure place that is inaccessible to children and other unauthorized users. Never store the battery in the blower or charger. Improper storage can result in unauthorized use and damage to the blower.

When storing the blower:



- ▶ Clean the blower,  21.
- ▶ Store the blower indoors in a dry and secure location, out of the reach of children and other unauthorized persons.

## 20.2 Battery

### WARNING

To reduce the risk of a short circuit, which could lead to electric shock, fire and explosion, never store the battery in a metal container or near metal objects,  5.5. If the battery is damp or wet, allow it to dry thoroughly before storing,  6.1.

### WARNING

Extreme temperatures can damage the battery and may also cause the battery to generate heat, rupture, leak, ignite or explode, resulting in severe or fatal personal injury or property damage. Use and store the battery only within an ambient temperature range of 14 °F to 122 °F (- 10 °C to 50 °C),  6.1. Never store the battery in direct sunlight or inside a vehicle in hot weather,  6.1.


To properly store the battery:

- ▶ Remove the battery from the blower or the charger.
- ▶ Make sure the battery is dry and store it indoors in a dry and secure location.
- ▶ Keep it out of the reach of children and other unauthorized persons.
- ▶ Protect the battery against dampness and corrosive agents such as garden chemicals and de-icing salts.
- ▶ Protect the battery from exposure to conductive liquids such as salt water.
- ▶ For maximum battery life, store the battery at an ambient temperature between 50 °F and 68 °F (10 °C and 20 °C) with a charge between 40 % and 60 % (2 green LEDs).
- ▶ Do not leave spare batteries unused. Use them in rotation.

## 21 Cleaning

### 21.1 Cleaning the Blower and Battery

#### WARNING

To reduce the risk of personal injury from unintended activation, remove the battery before carrying out any cleaning work,  5.5. Users of this blower should carry out only the cleaning described in this manual.


To clean the blower and battery:

- ▶ Clean a dirty intake screen carefully with a soft brush whenever required.
- ▶ Clean the blower's polymer components with a slightly dampened cloth. Do not use detergents or solvents. They may damage the polymer components.
- ▶ Do not use a pressure washer to clean the blower or otherwise spray it with water or other liquids.
- ▶ Keep the battery housing and guides free from foreign matter and clean as necessary with a soft brush or soft, dry cloth.

## 22 Inspection and Maintenance

### 22.1 Inspecting and Maintaining the Blower

#### WARNING

To reduce the risk of personal injury from unintended activation, remove the battery before inspecting the blower or carrying out any maintenance,  5.5. Carry out only the maintenance operations described in this manual. There are no user-authorized repairs. STIHL recommends that repair work be performed by authorized STIHL servicing dealers.

To properly maintain the blower:








- ▶ Inspect the intake screen of the blower and replace if damaged.
- ▶ Have worn, missing or damaged safety labels replaced by an authorized STIHL servicing dealer.

If you make a warranty claim for a component which has not been serviced or maintained properly, coverage may be denied.



## 23 Troubleshooting Guide

### 23.1 Blower and Battery

Always remove the battery before carrying out any inspection, cleaning or maintenance.

Condition	LEDs on Battery	Cause	Remedy
Blower does not start when switched on.		No electrical contact between blower and battery.	<ul style="list-style-type: none"> <li>▶ Remove the battery,  14.2.</li> <li>▶ Visually check the electrical contacts in the battery compartment and on the battery.</li> <li>▶ Reinsert the battery,  14.1.</li> </ul>
	1 LED flashes green. STIHL AR Series: four long beeps are emitted (AR L - six beeps).	Battery has low charge.	<ul style="list-style-type: none"> <li>▶ Charge the battery,  10.</li> </ul>
	1 LED glows red.	Battery too hot / too cold.	<ul style="list-style-type: none"> <li>▶ Allow the battery to warm up or cool down gradually at ambient temperatures of about 50 °F to 68 °F (10 °C to 20 °C).</li> </ul>
	4 LEDs flash red. STIHL AR Series: Additionally, a rapid succession of short beeps is emitted.	Malfunction in battery.	<ul style="list-style-type: none"> <li>▶ Remove the battery and reinsert it,  14.</li> <li>▶ Switch on the blower,  15.1.</li> <li>▶ If the LEDs continue to flash, do not attempt to use. The battery has a malfunction and must be replaced.</li> </ul>
	3 LEDs glow red.	Blower too hot.	<ul style="list-style-type: none"> <li>▶ Allow the blower to cool down.</li> </ul>
	3 LEDs flash red.	Malfunction in blower.	<ul style="list-style-type: none"> <li>▶ Remove the battery and reinsert it,  14</li> <li>▶ Switch on the blower,  15.1.</li> <li>▶ If the LEDs still flash, do not attempt to use. The blower has a malfunction and must be checked by a servicing dealer.</li> </ul>

**Always remove the battery before carrying out any inspection, cleaning or maintenance.**

Condition	LEDs on Battery	Cause	Remedy
Blower cuts out during operation.	1 LED glows red.	Battery too hot / too cold.	<ul style="list-style-type: none"> <li>▶ Remove the battery,  14.2.</li> <li>▶ Allow the blower and battery to cool down gradually at ambient temperatures of about 50 °F to 68 °F (10 °C to 20 °C).</li> </ul>
	3 LEDs glow red.	Blower too hot.	
Run-time is too short.		Battery not fully charged.	▶ Charge the battery,  10.
		Useful life of battery has been reached or exceeded.	▶ Have the battery checked by an authorized STIHL servicing dealer.
Battery is not being charged even though LED on charger glows green.	1 LED glows red.	Battery too hot / too cold.	<ul style="list-style-type: none"> <li>▶ Allow the battery to warm up or cool down gradually at ambient temperatures of about 50 °F to 68 °F (10 °C to 20 °C).</li> <li>▶ Operate the charger only in enclosed, dry rooms at ambient temperatures of 41 °F to 104 °F (5 °C to 40 °C).</li> </ul>

## 24 Specifications

### 24.1 STIHL BGA 86

Intended for household use.

- Approved battery types:
  - STIHL AP series
  - STIHL AR series
- Maximum air velocity: 130 mph (58 m/s)
- Weight without battery: 6.2 lbs. (2.8 kg)


For technical information regarding the STIHL AP and AR / AR L series batteries, see the product information accompanying your battery.

For technical information regarding the STIHL AL 101, 300 and 500 series chargers, see the product information accompanying your charger.

Batteries, chargers and other accessories sold separately. Contact your authorized STIHL servicing dealer for pricing and availability.

### 24.2 Symbols on the Blower and Battery

Symbol	Explanation
V	Volt
Hz	Hertz
A	Ampere
Ah	Ampere hour
W	Watt
Wh	Watt hour
AC	Alternating current
IP20	Degree of electrical protection


 Push and hold the retaining latch in this direction to unlock

 Direct current



Number of cells and stored energy according to cell manufacturer's specification. Usable energy will be less.



STIHL products must not be disposed of in the household trash, but only in accordance with local, state and federal laws and regulations and as provided in this manual,  26.



The RBRC seal indicates that STIHL has prepaid for battery recycling

### 24.3 Engineering Improvements

STIHL's philosophy is to continually improve all of its products. As a result, engineering changes and improvements are made from time to time. Therefore, some changes, modifications and improvements may not be covered in this manual. If the operating characteristics or the appearance of your machine differs from those described in this manual, please contact your STIHL dealer or the STIHL distributor in your area for assistance.

### 24.4 FCC 15 Compliance Statement

This device complies with part 15 of the FCC Rules.

Operation is subject to the following two conditions:

- this device may not cause harmful interference.
- this device must accept any interference received, including interference that may cause undesired operation.

Note: This equipment has been tested and found to comply with the limits for a Class B digital device, pursuant to part 15 of the FCC Rules. These limits are designed to provide reasonable protection against harmful interference in a residential installation. This equipment generates, uses and can radiate radio frequency energy and, if not installed and used in accordance with the instructions, may cause harmful

interference to radio communications. However, there is no guarantee that interference will not occur in a particular installation.


If this equipment does cause harmful interference to radio or television reception, which can be determined by turning the equipment off and on, the user is encouraged to try to correct the interference by one or more of the following measures:

- reorient or relocate the receiving antenna,
- increase the separation between the equipment and receiver,
- connect the equipment to an outlet on a circuit different from that to which the receiver is connected,
- consult an authorized STIHL servicing dealer or an experienced radio/TV technician for help.

Do not change or modify this product in any way unless specifically allowed in this manual, since this could void your authority to operate it.

## 25 Replacement Parts and Equipment

### 25.1 Genuine STIHL Replacement Parts

STIHL recommends the use of genuine STIHL replacement parts. Genuine STIHL parts can be identified by the STIHL part number, the **STIHL** logo and, in some cases, by the STIHL parts symbol . The symbol may appear alone on small parts.

## 26 Disposal

### 26.1 Disposal of the Power Tool

STIHL products must not be thrown in household trash or disposed of except as outlined in this manual.

- ▶ Take the power tool, accessories and packaging to an approved disposal site for environmentally friendly recycling.
- ▶ Contact your authorized STIHL servicing dealer for the latest information on disposal and recycling.

### 26.2 Battery Recycling

#### WARNING

Handle discharged/depleted batteries carefully. Even if believed to be discharged, lithium ion batteries may never totally discharge and still may deliver a dangerous short circuit current. If damaged or exposed to extreme temperatures, they may leak, generate heat, catch fire or explode.

- ▶ Observe all federal, state and local disposal rules and regulations.
- ▶ Contact your authorized STIHL servicing dealer for the latest information on waste disposal.
- ▶ Recycle depleted batteries promptly.
- ▶ Keep batteries away from children. Do not disassemble and do not dispose of in fire.



STIHL is committed to the development of products that are environmentally responsible. This commitment does not stop when the product leaves the authorized STIHL servicing dealer. STIHL has partnered with the RBRC (Rechargeable Battery Recycling Corporation) to promote the collection and recycling of spent STIHL lithium ion batteries in the United States and Canada.

The RBRC seal indicates that STIHL has prepaid for battery recycling. RBRC has a toll free phone number (1-800-822-8837) that connects you to information on battery recycling locations and information on battery disposal bans or restrictions in your area. You can also return your spent battery to any authorized STIHL servicing dealer for recycling free of charge.

## 27 Limited Warranty

### 27.1 STIHL Incorporated Limited Warranty Policy

This product is sold subject to the STIHL Incorporated Limited Warranty Policy, available at [www.stihlusa.com/warranty.html](http://www.stihlusa.com/warranty.html). It can also be obtained from your authorized STIHL dealer or by calling 1-800-GO-STIHL (1-800-467-8445).

### 27.2 STIHL Incorporated CALIFORNIA ZERO EMISSIONS CONTROL WARRANTY STATEMENT

For California only

#### YOUR WARRANTY RIGHTS AND OBLIGATIONS

The California Air Resources Board (CARB) and STIHL Incorporated are pleased to explain the emissions control system warranty on your 2022 and later small off-road zero emission equipment motor.

In California, new equipment that uses small off-road zero emission equipment motors must be designed, built, and equipped to meet the State's stringent anti-smog standards. STIHL Incorporated must warrant the emissions control system on your small off-road zero emission equipment motors for the periods of time listed below provided there has been no abuse, neglect or improper maintenance of your small off-road motor or equipment leading to the failure of the emissions control system.

Your emissions control system may include parts such as the zero emission equipment motor, motor controller, battery and battery charger.

Where a warrantable condition exists, STIHL Incorporated will repair your small off-road zero emission equipment motor at no cost to you including diagnosis, parts, and labor.

#### MANUFACTURER'S WARRANTY RESPONSIBILITIES

The emissions control system on your small off-road equipment motor is warranted for two years. If any emission-related part on your small off-road zero emission equipment motor is defective, the part will be repaired or replaced by STIHL Incorporated free of charge.

#### OWNER'S WARRANTY RESPONSIBILITIES

As the small off-road zero emission equipment motor owner, you are responsible for the performance of the required maintenance listed in your instruction manual. STIHL Incorporated recommends that you retain all receipts covering maintenance on your small off-road zero emission equipment motor, but STIHL Incorporated cannot deny warranty coverage solely for the lack of receipts or for your failure to ensure the performance of all scheduled maintenance.

As the small off-road zero emission equipment motor owner, you should however be aware that STIHL Incorporated may deny you warranty coverage if your small off-road zero emission equipment motor or a part has failed due to abuse, neglect, improper maintenance or unapproved modifications.

You are responsible for presenting your small off-road zero emission equipment motor to an authorized STIHL dealer as soon as a problem exists. The warranty repairs should be completed in a reasonable amount of time, not to exceed 30 days.

If you have any questions regarding your warranty rights and responsibilities, please contact a STIHL customer service representative at 1-800-467-8445 or you can write to

STIHL Incorporated  
536 Viking Drive  
P.O. Box 2015  
Virginia Beach, VA  
23452-2015  
[www.stihlusa.com](http://www.stihlusa.com)



### COVERAGE BY STIHL INCORPORATED

STIHL Incorporated warrants to the ultimate purchaser and each subsequent purchaser that your small off-road zero emission equipment motor is designed, built and equipped, at the time of sale, to meet all applicable emission regulations.

STIHL Incorporated also warrants to the initial purchaser and each subsequent purchaser that your zero emission equipment motor is free from defects in materials and workmanship which cause your zero emission equipment motor to fail to conform to applicable emission regulations for a period of two years.

### DEFECTS WARRANTY PERIOD

The warranty periods will begin on the date the utility zero emission equipment motor is purchased by the initial purchaser. If any emission-related part on your zero emission equipment motor is defective, the part will be replaced by STIHL Incorporated at no cost to the owner.

Add-on or modified parts that are not exempted by CARB may not be used. The use of any non-exempted add-on or modified parts will be grounds for disallowing a warranty claim. STIHL Incorporated will not be liable to warrant failures of warranted parts caused by the use of a non-exempted add-on or modified part.

The warranty on emissions-related parts will be interpreted as follows:

- 1) Any warranted part that is not scheduled for replacement as required maintenance in the written instructions required in the Emission Warranty Parts List (see below) must be warranted for the warranty period defined in Subsection COVERAGE BY STIHL INCORPORATED, see above. If any such part fails during the period of warranty coverage, it must be repaired or replaced by the manufacturer according to Subsection (4) below. Any such part repaired or replaced under the warranty must be warranted for the remaining warranty period.
- 2) Any warranted part that is scheduled only for regular inspection in the written instructions required by the Emission Warranty parts List (see below) must be warranted for the warranty period defined in Subsection

COVERAGE BY STIHL INCORPORATED, see above. A statement in such written instructions to the effect of "repair or replace as necessary" will not reduce the period of warranty coverage. Any such part repaired or replaced under warranty must be warranted for the remaining period.

- 3) Any warranted part that is scheduled for replacement as required maintenance in the written instructions required by the Emission Warranty Parts List (see below) must be warranted for the period of time prior to the first scheduled replacement point for that part. If the part fails prior to the first scheduled replacement, the part must be repaired or replaced by the zero emission equipment motor manufacturer according to Subsection (4) below. Any such part repaired or replaced under warranty must be warranted for the remainder of the period prior to the first scheduled replacement point for the part.
- 4) Repair or replacement of any warranted part under the warranty must be performed at a warranty station at no charge to the owner.
- 5) Notwithstanding the provisions of Subsection (4) above, warranty services or repairs will be provided at all manufacturer distribution centers that are authorized to service the subject zero emission equipment motor.
- 6) The owner must not be charged for diagnostic labor that leads to the determination that a warranted part is in fact defective, provided that such diagnostic work is performed at a warranty station.

### WARRANTY WORK

STIHL Incorporated shall remedy warranty defects at any authorized STIHL dealer or warranty station. Any such work shall be free of charge to the owner if it is determined that a warranted part is defective. Any manufacturer approved or equivalent replacement part may be used for any warranty maintenance or repairs on emission-related parts and must be provided without charge to the owner. STIHL Incorporated is liable for damages to other zero emission equipment motor components caused by the failure of a warranted part still under warranty.

## EMISSION WARRANTY PARTS LIST

Motor, Battery, Battery Charger, Motor Controller

## WHERE TO MAKE A CLAIM FOR WARRANTY SERVICE

Bring the STIHL product to any authorized STIHL dealer.

## LIMITATIONS

The repair or replacement of any warranted part otherwise eligible for warranty coverage may be excluded from such warranty coverage if STIHL Incorporated demonstrates that the STIHL product has been abused, neglected, or improperly maintained, and that such abuse, neglect, or improper maintenance was the direct cause of the need for repair or replacement of the part. That notwithstanding, any adjustment of a component that has a factory installed, and properly operating, adjustment limiting device is still eligible for warranty coverage.

## 28 Trademarks

### 28.1 Registered Trademarks

STIHL®

**STIHL**®



The color combination orange-grey (U.S. Registrations #2,821,860; #3,010,057, #3,010,058, #3,400,477; and #3,400,476)

AutoCut®

YARD BOSS®

STIHL ROLLOMATIC®

WOOD BOSS®



FARM BOSS®

iCademy®

MAGNUM®

MasterWrench Service®

MotoMix®

OILOMATIC®

ROCK BOSS®

STIHL Cutquik®

STIHL DUROMATIC®

STIHL Quickstop®

STIHL WOOD BOSS®

TIMBERSPORTS®



## 28.2 Common Law Trademarks

4-MIX™	HT Plus™
BioPlus™	STIHL PowerSweep™
Easy2Start™	STIHL Protec™
EasySpool™	STIHL MiniBoss™
ElastoStart™	STIHL MotoPlus 4™
Ematic™	Master Control Lever™
STIHL Precision Series™	STIHL OUTFITTERS™
FixCut™	STIHL PICCO™
Micro™	TrimCut™
Pro Mark™	STIHL M-Tronic™
Quad Power™	STIHL HomeScaper Series™
Quiet Line™	STIHL PolyCut™
STIHL Arctic™	STIHL RAPID™
STIHL Compact™	STIHL SuperCut™
STIHL Interchangeable Attachment Series™	STIHL Multi-Cut HomeScaper Series™
TapAction™	STIHL Territory™
	

This listing of trademarks is subject to change.

Any unauthorized use of these trademarks without the express written consent of ANDREAS STIHL AG & Co. KG, Waiblingen is strictly prohibited.

## 29 Addresses

### 29.1 STIHL Incorporated

STIHL Incorporated  
536 Viking Drive  
P.O. Box 2015  
Virginia Beach, VA  
23452-2015

# Contenido

<b>1</b>	<b>Introducción</b> .....	<b>34</b>	<b>12</b>	<b>Batería de mochila STIHL AR</b> .....	<b>51</b>
<b>2</b>	<b>Acerca de este manual de instrucciones</b> .....	<b>34</b>	12.1	Colocación del cordón de conexión en posición	51
2.1	Palabras identificadoras.....	34	12.2	Colocación del arnés.....	52
2.2	Símbolos en el texto.....	35	<b>13</b>	<b>Armado del soplador</b> .....	<b>53</b>
<b>3</b>	<b>Componentes importantes</b> .....	<b>35</b>	13.1	Instalación y ajuste de la boquilla.....	53
3.1	Soplador y batería.....	35	<b>14</b>	<b>Colocación y extracción de la batería</b> .....	<b>53</b>
<b>4</b>	<b>Símbolos de seguridad en los productos</b> .....	<b>36</b>	14.1	Colocación de la batería.....	53
4.1	Soplador.....	36	14.2	Extracción de la batería.....	54
4.2	Batería.....	36	<b>15</b>	<b>Encendido y apagado del soplador</b> .....	<b>54</b>
<b>5</b>	<b>INSTRUCCIONES IMPORTANTES DE SEGURIDAD</b> .....	<b>37</b>	15.1	Encendido.....	54
5.1	Introducción.....	37	15.2	Apagado.....	55
5.2	Uso previsto.....	37	<b>16</b>	<b>Revisión de los controles</b> .....	<b>55</b>
5.3	Operador.....	37	16.1	Prueba de los controles.....	55
5.4	Equipos de protección personal.....	38	<b>17</b>	<b>Durante el funcionamiento</b> .....	<b>56</b>
5.5	Soplador.....	38	17.1	Uso del soplador.....	56
5.6	Uso del soplador.....	40	<b>18</b>	<b>Después de completar el trabajo</b> .....	<b>56</b>
<b>6</b>	<b>Seguridad de la batería</b> .....	<b>43</b>	18.1	Preparación para el transporte o el almacenamiento.....	56
6.1	Advertencias e instrucciones.....	43	<b>19</b>	<b>Transporte del soplador y de la batería</b> .....	<b>57</b>
<b>7</b>	<b>Mantenimiento, reparación y almacenamiento</b> .....	<b>45</b>	19.1	Soplador.....	57
7.1	Advertencias e instrucciones.....	45	19.2	Batería.....	57
<b>8</b>	<b>Advertencias e instrucciones generales</b> .....	<b>46</b>	<b>20</b>	<b>Almacenamiento del soplador y de la batería</b> .....	<b>57</b>
8.1	Advertencias de seguridad e instrucciones generales para productos alimentados por baterías.....	46	20.1	Soplador.....	57
<b>9</b>	<b>Antes de empezar a trabajar</b> .....	<b>47</b>	20.2	Batería.....	58
9.1	Preparación del soplador para el funcionamiento.....	47	<b>21</b>	<b>Limpieza</b> .....	<b>58</b>
<b>10</b>	<b>Carga de la batería</b> .....	<b>47</b>	21.1	Limpieza del soplador y de la batería.....	58
10.1	Preparación del cargador para el funcionamiento.....	47	<b>22</b>	<b>Inspección y mantenimiento</b> .....	<b>59</b>
10.2	Carga.....	48	22.1	Inspección y mantenimiento del soplador.....	59
<b>11</b>	<b>Diagnóstico por LED y señales acústicas</b> .....	<b>49</b>	<b>23</b>	<b>Guía de solución de problemas</b> .....	<b>60</b>
11.1	Batería AP de STIHL.....	49	23.1	Soplador y batería.....	60
11.2	Batería de mochila STIHL AR.....	50	<b>24</b>	<b>Especificaciones</b> .....	<b>62</b>
			24.1	STIHL BGA 86.....	62

# STIHL

Este manual de instrucciones está protegido por derechos de propiedad intelectual. Todos los derechos reservados, especialmente los derechos de reproducción, traducción y procesamiento con sistemas electrónicos.

24.2 Símbolos en el soplador y el cargador.....	62
24.3 Mejoramientos técnicos.....	62
24.4 Declaración de cumplimiento con norma FCC 15.....	62
<b>25 Piezas y equipos de repuesto.....</b>	<b>63</b>
25.1 Piezas de repuesto originales de STIHL.....	63
<b>26 Eliminación.....</b>	<b>63</b>
26.1 Desecho de la herramienta motorizada.....	63
26.2 Reciclado de las baterías.....	63
<b>27 Garantía limitada.....</b>	<b>64</b>
27.1 Política de garantía limitada de STIHL Incorporated.....	64
27.2 DECLARACIÓN DE GARANTÍA DE STIHL Incorporated SOBRE SISTEMAS DE CONTROL DE EMISIONES SEGÚN NORMAS DE CALIFORNIA.....	64
<b>28 Marcas comerciales.....</b>	<b>66</b>
28.1 Marcas comerciales registradas.....	66
28.2 Marcas comerciales por ley común.....	66
<b>29 Direcciones.....</b>	<b>67</b>
29.1 STIHL Incorporated.....	67

## 1 Introducción

Gracias por su compra. La información que contiene este manual lo ayudará a obtener el máximo rendimiento y satisfacción del soplador, y a reducir el riesgo de lesiones que supone su uso, si dicha información se respeta.

### ¡CONSERVE ESTE MANUAL!



Dado que el soplador es una herramienta motorizada accionada a batería y de gran velocidad, es necesario tomar medidas especiales de seguridad para reducir el riesgo de lesiones.



Lea este manual de instrucciones detenidamente antes del uso y periódicamente de allí en adelante. Aténgase a todas las instrucciones de seguridad. El uso descuidado o inadecuado del soplador puede causar lesiones graves o mortales.

Pida a su concesionario de servicio STIHL autorizado que le enseñe el manejo de la herramienta motorizada.

No preste ni alquile nunca su soplador sin el manual de instrucciones. Solamente las personas que comprenden la información de este manual por completo deberán manejar el soplador.

Para obtener más información, o si no comprende alguna de las instrucciones incluidas en este manual, visite [www.stihlusa.com](http://www.stihlusa.com) (para Canadá: [www.stihl.ca](http://www.stihl.ca)) o comuníquese con un concesionario de servicio STIHL autorizado.

## 2 Acerca de este manual de instrucciones

### 2.1 Palabras identificadoras

Este manual contiene información sobre seguridad a la que usted debe prestar atención especial. Dicha información se indica con los siguientes símbolos y palabras identificadoras:

**⚠ PELIGRO**

Identifica una situación de peligro que, de no evitarse, causará lesiones graves o mortales.

**⚠ ADVERTENCIA**


Identifica una situación de peligro que, de no evitarse, podría causar lesiones graves o mortales.

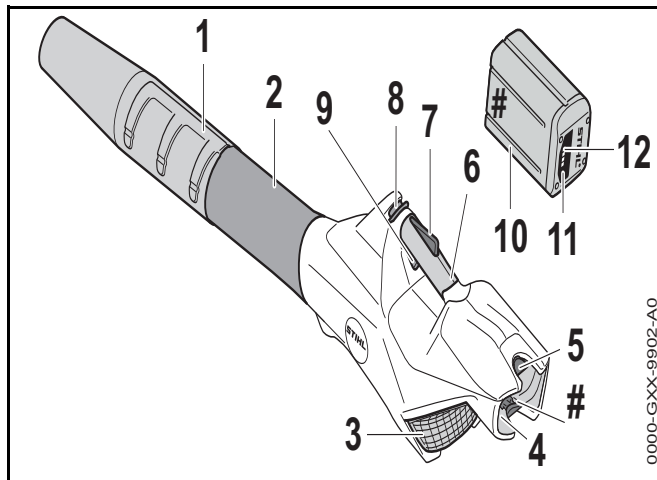
**INDICACIÓN**

Indica el riesgo de daños a la propiedad, incluidos la máquina o sus componentes.

**2.2 Símbolos en el texto**

El siguiente símbolo tiene como finalidad ayudarlo a utilizar este manual.

 Hace referencia a un capítulo o subcapítulo designado en este manual de instrucciones.

**3 Componentes importantes****3.1 Soplador y batería**

0000-GXXX-9902-A0

**1 Boquilla**  
Dirige y concentra el chorro de aire.

**2 Tubo del soplador**  
Dirige el chorro de aire.

**3 Rejilla de admisión**  
Cubre la abertura de admisión de aire y sirve para reducir el riesgo de contacto directo con el ventilador soplador.

**4 Compartimiento de la batería**  
Sostiene la batería.

**5 Palanca de bloqueo**  
Fija la batería en el compartimiento para la batería.

**6 Mango de control**  
Mango del soplador.

**7 Ergo-Palanca**  
Mantiene el pestillo de retención en la posición de desbloqueo.

**8 Pestillo de retención**  
Boquea o desbloquea el gatillo.

**9 Gatillo**  
Enciende y apaga el motor.

**10 Batería**  
Suministra energía eléctrica al motor.

**11 LED de la batería**  
Indican el estado de carga de la batería y los mensajes de error de la pantalla acerca de los posibles defectos de la batería o de la herramienta eléctrica.

**12 Pulsador**  
Activa los LED de la batería.

**# Chapa de información**  
Contiene información eléctrica y el número de serie del producto.

## 4 Símbolos de seguridad en los productos

### 4.1 Soplador

Los siguientes símbolos de seguridad están presentes en el soplador.



Para reducir el riesgo de lesiones, respete las medidas de seguridad especificadas.



Lea y atégase a todas las precauciones de seguridad dadas en el manual de instrucciones. El uso inadecuado puede provocar lesiones personales graves o mortales o daños a la propiedad.



Para reducir el riesgo de lesionarse los ojos, siempre use gafas protectoras adecuadas, 5.4.



Para reducir el riesgo de lesiones personales causadas por objetos lanzados, nunca dirija el chorro de aire hacia otras personas ni hacia las mascotas, 5.6.4.



Para reducir el riesgo de lesiones personales, mantenga el cabello y la ropa suelta alejados del conducto de admisión de aire, 5.4.



Para reducir el riesgo de lesiones o daños a la propiedad causados por la activación inesperada, quite la batería cuando el soplador no esté en uso, 5.5.



Para reducir el riesgo de lesiones personales causadas por el chorro de aire a gran velocidad o por objetos lanzados, no permita que nadie se acerque a menos de 5 m (17 pies) de distancia, 5.6.4.

### 4.2 Batería

Los símbolos de seguridad siguientes se encuentran en la batería de mochila serie AR y en la batería serie AP.



Para reducir el riesgo de lesiones, respete las medidas de seguridad especificadas.



Lea y respete todas las precauciones de seguridad dadas en el manual de instrucciones de la batería y en el manual de la herramienta STIHL que utiliza esta batería. El uso inadecuado puede provocar lesiones personales graves o mortales o daños a la propiedad.



Para reducir el riesgo de lesiones personales o daños a la propiedad debido a incendios, explosiones o quemaduras, incluidas las quemaduras químicas, no desarme, aplaste, deje caer, dañe o caliente la unidad a más de 100°C (212°F). Nunca la exponga al fuego ni la incinere, 6.1.



Para reducir el riesgo de lesiones personales o daños a la propiedad debido a un incendio, use y almacene la batería solo dentro de un rango de temperatura ambiente de -10°C a 50°C (14°F a 122°F), 6.1.

#### Baterías tipo mochila AR 900, 1000, 2000, 3000



Para reducir el riesgo de lesiones personales o daños a la propiedad causados por un cortocircuito, un incendio o una explosión, mantenga la unidad seca. Protéjala contra la lluvia, el agua y las condiciones húmedas. Nunca la sumerja en agua u otros líquidos, 6.1.

#### Baterías tipo mochila AR L



Para reducir el riesgo de lesiones personales o daños a la propiedad causados por un cortocircuito, un incendio o una explosión, mantenga la unidad seca. Nunca la sumerja en agua u otros líquidos, 6.1.

**Baterías serie AP**

Para reducir el riesgo de lesiones personales o daños a la propiedad causados por un cortocircuito, un incendio o una explosión, mantenga la unidad seca. Nunca la sumerja en agua u otros líquidos, 6.1.

Las baterías se venden por separado.

## 5 INSTRUCCIONES IMPORTANTES DE SEGURIDAD

### 5.1 Introducción

Cuando usa un soplador eléctrico, debe tomar ciertas precauciones básicas, tal como las siguientes:

**¡LEA TODAS LAS INSTRUCCIONES ANTES DE USAR EL SOPLADOR!**

GUARDE ESTAS INSTRUCCIONES.

### **▲ ADVERTENCIA**

- Para reducir el riesgo de incendio, explosión, descarga eléctrica y otras lesiones, lea y siga las instrucciones de seguridad importantes dadas en este capítulo. En los siguientes capítulos de este manual, se proporcionan otras advertencias e instrucciones importantes.

### 5.2 Uso previsto

### **▲ ADVERTENCIA**

- Este soplador está diseñado para soplar hojas, pasto y materiales livianos similares de terrenos, jardines, aceras, entradas de vehículos, porches, patios y superficies semejantes de la forma y en las condiciones que se

describen en este manual. Si el soplador se usa para trabajos para los cuales no ha sido diseñado, podría provocar lesiones graves o mortales.

- Sople únicamente hojas, pasto y materiales livianos similares.
- Un uso indebido podría provocar lesiones o daños materiales, incluidos daños en el soplador.
  - Use el soplador y la batería solo como se describe en este manual.
  - Nunca intente modificar ni anular en modo alguno los controles ni los dispositivos de seguridad del soplador.
  - Nunca utilice un soplador que haya sido modificado o alterado, apartándose de su diseño original.
  - Asegúrese de leer y respetar las advertencias y las instrucciones de su batería y de su cargador antes de iniciar la carga o de empezar a trabajar.
- Esta herramienta motorizada se puede alimentar con una batería de la gama STIHL AP. Como alternativa, puede recibir alimentación de una batería tipo mochila de la gama STIHL AR en combinación con un adaptador AP.

Las baterías, los cargadores y otros accesorios se venden por separado.

### 5.3 Operador

### **▲ ADVERTENCIA**

- El uso del soplador puede ser extenuante. El operador debe hallarse en buenas condiciones tanto físicas como mentales. Para reducir el riesgo de lesiones personales causadas por fatiga o pérdida del control:
  - Consulte a su médico antes de usar el soplador si tiene una afección de salud que pueda agravarse por el trabajo extenuante.
  - No haga funcionar el soplador si se encuentra bajo la influencia de cualquier sustancia (drogas, alcohol, medicamentos, etc.) que puedan afectar la visión, el equilibrio, la destreza o el juicio.

- Esté alerta. No maneje el soplador cuando está cansado. Tómese un descanso si se siente cansado.
- No permita que los niños usen el soplador.
- De acuerdo con los conocimientos actuales de STIHL, el motor eléctrico del soplador no debe interferir con marcapasos.
  - Sin embargo, las personas con marcapasos u otro dispositivo médico implantado deben consultar a su médico y al fabricante del dispositivo antes de utilizar esta motoguadaña.

## 5.4 Equipos de protección personal

### ⚠ ADVERTENCIA

- Para reducir el riesgo de lesiones personales:
  - Siempre use ropa adecuada y trajes protectores, incluidas gafas protectoras adecuadas.
- Si el cabello, la ropa o los trajes son aspirados por el conducto de admisión de aire o se enredan en los componentes del soplador, podrían perderse el control y producirse lesiones cortantes graves. Para reducir el riesgo de lesiones personales graves:



- Use ropa resistente y ajustada que permita una completa libertad de movimiento.
- Use monos o pantalones largos hechos de un material grueso para protegerse las piernas. No use pantalones cortos.
- Use una camisa de manga larga o una chaqueta.



- Evitar el uso de chaquetas sueltas, bufandas, corbatas, pantalones de pierna ancha o con basta doblada, joyería y otras piezas que pudieran ser aspiradas por la toma de aire.
- Sujétese el cabello por encima de los hombros antes de empezar a trabajar.

- Para reducir el riesgo de lesiones oculares:



- Siempre utilice gafas o anteojos protectores bien ajustados con protección lateral resistentes a impactos y que porten designaciones que indiquen que cumplen con la norma ANSI Z87 «+».

- Es muy importante tener una buena superficie de apoyo para los pies. Para ayudar a mantener un punto de apoyo seguro y reducir el riesgo de lesiones mientras trabaja:



- Póngase un calzado sólido con suela antideslizante. Nunca use sandalias, chanclas, zapatos que dejen los dedos descubiertos ni calzado de ese tipo.


- Para reducir el riesgo de lesiones personales causadas por descarga de electricidad estática o pérdida de control durante el uso:



- STIHL recomienda el uso de guantes gruesos antideslizantes de cuero o de otro material resistente al desgaste para manipular el soplador.

## 5.5 Soplador

### ⚠ ADVERTENCIA

- Para reducir el riesgo de descarga eléctrica:
  - No sumerja el soplador en agua ni en otros líquidos.
  - Guarde el soplador bajo techo.
- Este soplador a batería está diseñado únicamente para llevar a cabo tareas de mantenimiento en jardines particulares y públicos. Su uso para otros fines puede aumentar el riesgo de lesiones y de daños materiales.
  - Lea y respete las instrucciones de manejo de este manual para conocer las aplicaciones aprobadas,  17.
- Para reducir el riesgo de que el operador o las personas que se encuentran cerca sufran lesiones:






- Siempre suelte el gatillo y quite la batería antes de armar, transportar, ajustar, inspeccionar, limpiar, mantener, reparar o guardar el soplador, y en cualquier momento en que no se esté usando.
- Si bien es posible conectar ciertos accesorios no autorizados a los sopladores de STIHL, su uso puede ser extremadamente peligroso. Le recomendamos que utilice únicamente accesorios suministrados por STIHL o expresamente autorizados por STIHL para el uso con este modelo específico.
  - Use solo accesorios suministrados o expresamente aprobados por STIHL.
  - Nunca modifique en modo alguno este soplador.
  - Nunca intente modificar ni anular en modo alguno los controles ni los dispositivos de seguridad del soplador.
  - Nunca utilice un soplador que haya sido modificado o alterado, apartándose de su diseño original.
  - No introduzca ningún objeto en las aberturas del soplador.
  - No utilice el soplador si tiene alguna abertura obstruida.
  - Mantenga el soplador libre de polvo, pelusas, pelos y cualquier otro material que pueda reducir el chorro de aire.
- Si el soplador se cae o se expone a un impacto fuerte similar al de una caída:
  - Asegúrese de que no se ha dañado, de que está en buenas condiciones y de que funciona correctamente antes de reanudar el trabajo.
  - Verifique que los controles y los dispositivos de seguridad funcionan correctamente.
  - Revise los LED y compruebe si hay mensajes de error, 11.1.2.
  - Asegúrese de que la batería no se ha dañado. Nunca use ni cargue una batería que no funcione correctamente o que esté dañada, agrietada, deformada o pierda líquido.
- Nunca trabaje con un soplador o con una batería que estén dañados o averiados. Si tiene dudas, lleve el soplador y la batería a su concesionario de servicio autorizado STIHL para que los revisen.
- Si el soplador o la batería están dañados, no funcionan correctamente, se han dejado al aire libre o se han expuesto a la lluvia o a la humedad, o si han caído al agua o a otro líquido, es posible que sus componentes y los dispositivos de seguridad ya no funcionen. Para reducir el riesgo de lesiones y de daños materiales:
  - Lleve el soplador y la batería al concesionario de servicio STIHL autorizado para que los revisen antes de volver a utilizarlos.
- Las piezas de repuesto auténticas de STIHL están diseñadas específicamente para su modelo de soplador y cumplen las necesidades de rendimiento y seguridad correspondientes. El uso de piezas no autorizadas o no aprobadas por STIHL puede provocar lesiones graves o mortales, así como daños materiales.
  - STIHL le recomienda que utilice solo repuestos idénticos a las piezas originales.

## 5.6 Uso del soplador

### 5.6.1 Antes del uso

# ⚠ ADVERTENCIA

- Un uso inadecuado o no autorizado puede causar lesiones y daños materiales.
  - Use el soplador solo como se describe en este manual de instrucciones.
- El uso de un soplador que ha sido modificado o que está dañado, mal ajustado o mal mantenido, o que no se ha armado de forma completa y segura, puede aumentar el riesgo de lesiones graves.
  - Nunca use un soplador que haya sido modificado, que esté dañado, mal ajustado o que no se haya armado por completo y de forma segura.
  - Siempre compruebe si el soplador está en buenas condiciones y si funciona debidamente antes de iniciar los trabajos. Preste especial atención al pestillo de retención, a la palanca Ergo y al gatillo.
  - Asegúrese de que el pestillo de retención, la palanca Ergo y el gatillo se mueven libremente, y de que regresan a su lugar cuando los suelta. El gatillo no debe poder oprimirse si no se ha desbloqueado el pestillo de retención.
  - Nunca intente modificar ni anular en modo alguno los controles ni los dispositivos de seguridad.
  - Si el soplador o cualquiera de sus piezas presenta daños o no funciona correctamente, lleve la máquina a un concesionario de servicio STIHL autorizado. No use el soplador hasta que el problema se haya solucionado.
- Antes de colocar la batería:
  - Compruebe si hay corrosión o materias extrañas de otro tipo en los contactos eléctricos del compartimiento para la batería. Manténgalos limpios.
  - Nunca inserte ni use una batería que esté defectuosa, dañada, agrietada o deformada, o que pierda líquido.

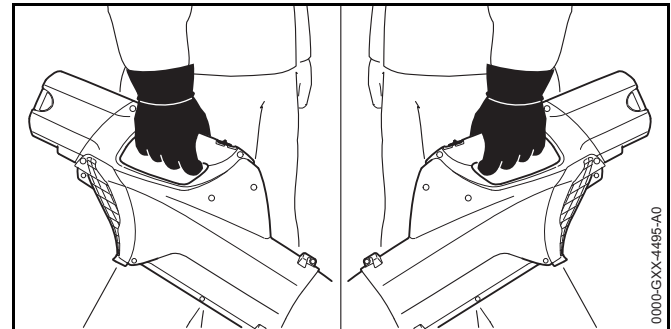
- Lea y siga las instrucciones de encendido del soplador,  15.1.

- Para reducir el riesgo de lesiones graves provocadas por un arranque accidental:
  - Antes de colocar la batería, asegúrese de que el pestillo de retención está en la posición de bloqueo y el gatillo, en la posición de apagado.
  - Nunca acarree el soplador con el dedo en el gatillo.
  - Suelte el gatillo antes de retirar la batería.



- Quite la batería antes de armar, transportar, ajustar, inspeccionar, limpiar, reparar, mantener o guardar el soplador, y siempre que no se esté usando.
- Nunca deje el soplador desatendido si tiene la batería colocada.
- Nunca guarde la batería en el soplador.

### 5.6.2 Sujeción y control del soplador



## **⚠ ADVERTENCIA**

- Para sujetar con firmeza y controlar correctamente el soplador:
  - Mantenga el mango limpio y seco en todo momento. Protéjalo de la humedad, el alquitrán, el aceite, la grasa y la resina.
- Para reducir el riesgo de que el operador u otras personas sufran lesiones graves o mortales por la pérdida del control:
  - Siempre sujete el soplador firmemente con una mano mientras trabaje.
  - Envuelva los dedos firmemente en el mango, manteniéndolo sujeto entre los dedos índice y pulgar (vea la ilustración).
- Para reducir el riesgo de que el operador o los espectadores sufran lesiones graves o mortales causadas por la pérdida de control, mantenga siempre un punto de apoyo seguro y el equilibrio:
  - No trabaje sobre una escalera, sobre un techo, en un árbol o cualquier otro punto de apoyo que no sea seguro.
  - Tenga sumo cuidado cuando trabaje en terreno con mucha vegetación o húmedo, y para evitar tropezarse o caerse, siempre esté atento a los obstáculos ocultos, tales como tocones, raíces, piedras, hoyos y zanjas.
  - Sea sumamente precavido cuando trabaje en declives o terreno irregular.
  - Tenga mucho cuidado al trabajar en escaleras.
  - Para obtener un punto de apoyo seguro, quite siempre las ramas caídas, los arbustos, el material cortado y cualquier otro objeto o vegetación que pueda aumentar el peligro de resbalarse, tropezarse o caerse.
  - Nunca ponga el soplador en funcionamiento a una altura más arriba de los hombros.

- No trate de llegar más lejos de lo debido. Mantenga los pies bien apoyados y equilibrados en todo momento.

### 5.6.3 Condiciones de trabajo

## **⚠ ADVERTENCIA**

- Ponga el soplador en funcionamiento solamente en condiciones de buena visibilidad y a la luz del día.
  - Posponga los trabajos si el tiempo está ventoso, con neblina, lluvioso o inclemente.
- El soplador es una máquina que debe ser manejada por una sola persona.
  - No se debe permitir la proximidad de otras personas, especialmente de niños, ni de animales en los lugares donde se esté utilizando la máquina.
  - Apague el soplador inmediatamente si se le aproxima alguna persona.
- Para reducir el riesgo de lesiones a los espectadores y usuarios no autorizados:
  - No deje el soplador desatendido si tiene la batería colocada.
  - Apague el soplador y quite la batería durante los descansos y en cualquier momento en que el soplador no se utilice.
- Hacer funcionar el soplador en entornos secos y polvorientos puede causar la acumulación de electricidad estática en el tubo, la boquilla y la carcasa del soplador. Esta electricidad estática podría descargarse

súbitamente con una chispa. Para reducir el riesgo de lesiones personales después de una descarga de electricidad estática:

- No ponga en funcionamiento el soplador en un lugar donde haya gases, líquidos, vapores, polvos u otros materiales y sustancias combustibles.
- Las chispas que se generan del funcionamiento del soplador pueden encender gases, líquidos, vapores, polvos u otros materiales y sustancias combustibles. Para reducir el riesgo de incendio y explosión:
  - No ponga en funcionamiento el soplador en un lugar donde haya gases, líquidos, vapores, polvos u otros materiales y sustancias combustibles.
  - Lea y atégase a las recomendaciones dadas por autoridades gubernamentales (por ejemplo, OSHA) para identificar y evitar los peligros que representan gases combustibles, líquidos, vapores, polvos y otros materiales y sustancias combustibles.
- El uso de este soplador puede generar polvo y otras sustancias que contienen productos químicos considerados como causantes de enfermedades respiratorias, cáncer, defectos de nacimiento u otra toxicidad reproductora.
  - Consulte con agencias gubernamentales tales como EPA, OSHA, CARB y NIOSH, al igual que otras fuentes fidedignas sobre materiales peligrosos si desconoce los riesgos asociados con las sustancias particulares con las cuales está trabajando.
- La inhalación de ciertos polvos, especialmente los polvos orgánicos, tales como el moho o polen, puede provocar reacciones alérgicas o asmáticas en las personas sensibles. La inhalación repetida o de grandes cantidades

de polvo u otros contaminantes del aire, especialmente los de partículas pequeñas, puede causar enfermedades respiratorias o de otro tipo.

- Controle el polvo en su fuente, siempre que sea posible.
- En la medida de lo posible, ponga el soplador en funcionamiento de modo que el viento o el proceso de operación dirijan cualquier polvo, vapor u otras partículas generados por el soplador en dirección contraria al operador.
- Si no es posible mantener el polvo inhalable y otras partículas a niveles de fondo o aproximadamente de fondo, siempre utilice una mascarilla aprobada por NIOSH y con capacidad adecuada para las condiciones específicas del sitio. Siga las recomendaciones dadas por entidades gubernamentales (por ejemplo: OSHA/NIOSH) y asociaciones laborales y comerciales.
- Si el terreno está cubierto por una sustancia química, como pesticida o herbicida:
  - Lea y siga las instrucciones y advertencias que acompañan a la sustancia que cubre la vegetación o el terreno.

#### 5.6.4 Instrucciones de manejo

### ADVERTENCIA

- En caso de emergencia:
  - Apague el motor de inmediato y quite la batería.
- El ventilador soplador ubicado entre el conducto de admisión de aire y la abertura de salida gira siempre que el motor esté en marcha. Para reducir el riesgo de lesiones por el contacto con el ventilador soplador:
  - Nunca opere el soplador si la rejilla de admisión o la carcasa está agrietada, gastada o falta.
  - Nunca opere el soplador si el tubo y la boquilla están mal instalados.
  - Mantenga el pelo, la ropa suelta, los dedos y las demás partes del cuerpo lejos de las aberturas y las piezas en movimiento del soplador.

- El chorro de aire del soplador puede impulsar pequeños objetos a alta velocidad. Para reducir el riesgo de lesiones en los ojos y de herir a otras personas con objetos lanzados:



- Mantenga a las demás personas y a las mascotas a no menos de 5 m (17 pies) de distancia de la zona de funcionamiento del soplador.



- Nunca dirija el chorro de aire hacia otras personas o hacia las mascotas.

- No permita el uso del soplador como juguete.
- Apague el soplador inmediatamente si se le aproxima alguna persona.
- Una rejilla o una carcasa agrietada, gastada o faltante puede aumentar el riesgo de lesiones por objetos lanzados.
  - Nunca opere el soplador si la rejilla de admisión o la carcasa está agrietada, gastada o falta.
- Insertar un objeto extraño en el conducto de admisión o en la boquilla puede ocasionar daños a la propiedad, incluso daños al soplador, y lesiones graves al operador u otras personas debido a que el objeto o alguna pieza rota podría salir expulsada del soplador a alta velocidad.
  - Nunca inserte objetos en la boquilla o en el conducto de admisión del soplador.
  - Apague el soplador inmediatamente si comienza a vibrar de un modo anormal.
- Usar el soplador para esparcir herbicidas, pesticidas, fertilizantes u otros productos químicos puede ser peligroso y podría causar lesiones graves o mortales a las personas y dañar el medio ambiente.
  - Nunca use el soplador para dispersar o esparcir ningún tipo de producto químico.

## 6 Seguridad de la batería

### 6.1 Advertencias e instrucciones

#### ⚠ ADVERTENCIA

- Lea y respete las medidas de seguridad que figuran en la batería, así como todas las advertencias e instrucciones que se adjuntan con ella.
- El uso de baterías no autorizadas puede causar daños en la herramienta motorizada y provocar incendios, explosiones, lesiones personales y daños materiales.
  - Use únicamente baterías auténticas de las gamas AR o AP de STIHL con esta herramienta motorizada.
- La utilización de baterías de las series AR o AP de STIHL para cualquier fin que no sea alimentar los productos de STIHL podría ser extremadamente peligroso.
  - Use las baterías de las gamas AR y AP de STIHL solo para proporcionar alimentación a productos de STIHL compatibles.
- El uso de cargadores no autorizados puede causar daños en la batería y provocar incendios, explosiones, lesiones y daños materiales.
  - Para cargar las baterías de la gama AP de STIHL, utilice siempre cargadores STIHL AL 101, AL 300 o AL 500 auténticos.
  - Para cargar las baterías de mochila de la gama AR de STIHL, utilice siempre cargadores AL 300 o AL 500 de STIHL auténticos.
- La batería tiene funciones y dispositivos de seguridad que, de dañarse, pueden provocar que la batería genere calor, se rompa, pierda líquido, se incendie o explote.



- Nunca permita que la temperatura de la batería supere los 212 °F (100 °C).
- Nunca prenda fuego a la batería, ni la coloque sobre o junto a fuegos, estufas u otro tipo de objetos que alcancen temperaturas muy altas.

- Nunca use ni cargue una batería que no funcione correctamente o que esté dañada, agrietada, deformada o pierda líquido.
- Nunca abra, desmonte ni golpee la batería; no la deje caer ni la exponga a impactos fuertes o a daños de cualquier otro tipo.
- Nunca exponga la batería a microondas ni a presiones elevadas.
- Nunca introduzca objetos en las ranuras de ventilación de la batería.

- Las temperaturas extremas pueden hacer que la batería genere calor, se rompa, pierda líquido, se incendie o explote, lo que podría causar lesiones graves o fatales y daños materiales. La exposición a temperaturas no incluidas en el rango recomendado puede contribuir además a acortar la vida útil de la batería y a empeorar su rendimiento.



- Use y guarde la batería únicamente a una temperatura ambiente de entre 14 °F y 122 °F (-10 °C y 50 °C).
- Nunca guarde la batería en un lugar expuesto a la luz solar directa ni dentro de un vehículo si la temperatura exterior es elevada.

- Para reducir el riesgo de que se produzcan lesiones personales y daños materiales en caso de que la batería humee, emita un olor inusual o se caliente más de lo habitual durante el uso, la carga o el almacenamiento:
  - Deje de usar o de cargar de la batería inmediatamente. Póngase en contacto con las autoridades en caso de incendio o explosión.
- Para reducir el riesgo de que se produzca un cortocircuito, que podría causar, a su vez, una descarga eléctrica, un incendio o una explosión:



- Asegúrese de mantener secas las baterías de mochila AR 900, 1000, 2000, 3000 de STIHL. Protéjalas de la lluvia, del agua y de otros líquidos. Si llueve o el grado de humedad es muy elevado, cubra la batería AR 1000, 2000, 3000 de STIHL con la funda para lluvia antes de empezar a trabajar.



- Si una batería de la gama AP o AR L de STIHL ha estado expuesta a la lluvia durante el trabajo, sáquela de la herramienta y déjela secar bajo techo. Asegúrese de que está completamente seca antes de cargarla o de usarla.
- Nunca sumerja en agua ni en ningún otro líquido una batería de STIHL.

- Nunca puentee los terminales de la batería con alambres ni con otros objetos metálicos.
- Cuando no la esté usando, mantenga la batería alejada de objetos metálicos (p. ej., presillas para papel, clavos, monedas, llaves).
- Nunca transporte ni guarde la batería en un recipiente de metal.
- Guarde la batería bajo techo, en un lugar seco.
- Nunca guarde la batería en entornos húmedos o corrosivos, ni en condiciones que podrían provocar corrosión en los componentes metálicos.

- Proteja la batería de la exposición a productos corrosivos, como las sustancias químicas utilizadas en el jardín o las sales descongelantes.
- Proteja la batería de la exposición a líquidos conductores como el agua salada.
- No intente reparar, abrir ni desmontar la batería. No contiene ninguna pieza que el usuario pueda reparar sin ayuda.
- El líquido que contiene la batería, y que puede derramarse en determinadas circunstancias, es potencialmente nocivo y puede provocar irritaciones en los ojos y en la piel, quemaduras químicas y otras lesiones graves.
  - Evite el contacto con la piel y con los ojos.
  - Para recoger el líquido de batería derramado, use un producto absorbente inerte, como la arena.
  - En caso de contacto accidental, limpie inmediatamente y a fondo la zona afectada con un jabón suave y agua.
  - Si le entra líquido de batería en los ojos: no se los frote. Aclárese los ojos con agua corriente durante al menos 15 minutos y acuda al servicio médico más cercano.
- Si la batería se prende fuego, puede resultar peligrosa. Para reducir el riesgo de que se produzcan lesiones personales graves y daños materiales, en caso de incendio:
  - Evacue la zona. El fuego se puede extender rápidamente. Manténgase lejos de cualquier vapor que se genere y respete una distancia de seguridad suficiente.
  - Avise a los bomberos.
  - Aunque se puede usar agua para apagar un incendio de batería, es preferible utilizar un extintor de incendios de polvo químico multiuso.
  - Consulte al departamento de bomberos cómo desechar correctamente una batería quemada.

## 7 Mantenimiento, reparación y almacenamiento

### 7.1 Advertencias e instrucciones

#### ⚠ ADVERTENCIA

- La batería y el soplador no contienen piezas que el usuario esté autorizado a reparar. Para reducir el riesgo de incendios, descargas eléctricas o lesiones de otro tipo, así como de años materiales:
  - Los usuarios deben realizar únicamente los trabajos de mantenimiento y limpieza que se describen en este manual.
  - Respete escrupulosamente las instrucciones de limpieza y mantenimiento que se dan en las secciones correspondientes de este manual de instrucciones.
  - STIHL le recomienda que encargue la realización de los trabajos de reparación a un concesionario de servicio STIHL autorizado.
- Un arranque accidental puede provocar lesiones o daños materiales.



- Quite la batería antes de inspeccionar el soplador o de llevar a cabo cualquier trabajo de limpieza, mantenimiento o reparación, antes del almacenamiento y siempre que el soplador no se esté usando.

- El uso de piezas no autorizadas o no aprobadas por STIHL puede provocar lesiones graves o mortales, así como daños materiales.
  - Para llevar a cabo tareas de reparación o mantenimiento, STIHL recomienda utilizar únicamente piezas de repuesto STIHL idénticas a las originales.
- Para reducir el riesgo de cortocircuitos e incendios:
  - Mantenga las ranuras de la batería libres de cuerpos extraños. Límpielas siempre que sea necesario con un paño seco o con un cepillo suave y seco.
- Un almacenamiento incorrecto puede resultar en un uso no autorizado, provocar daños en el soplador y en la batería y aumentar el riesgo de incendio, de descarga eléctrica y de otras lesiones, así como de daños materiales.
  - Retire la batería del soplador antes de almacenarlo.
  - Nunca guarde el soplador ni el cargador con la batería puesta.
  - Guarde el soplador y la batería bajo techo, en un lugar seco y seguro al que no puedan acceder niños ni otras personas no autorizadas.
  - Nunca guarde la batería en el soplador, en el cargador o en un envase metálico, ni en un envase junto con objetos metálicos (por ejemplo, presillas para papel, clavos, monedas, llaves).
- Si la batería se cae, puede provocar lesiones o daños materiales. Para evitar que la batería se caiga al sacarla:
  - Coloque el soplador sobre una superficie nivelada.
  - Tenga cuidado cuando saque la batería.

## 8 Advertencias e instrucciones generales

### 8.1 Advertencias de seguridad e instrucciones generales para productos alimentados por baterías

Esta sección contiene las advertencias de seguridad generales e instrucciones para productos de baterías contenidas en las normas UL 2595 y CSA C22.2 n° 0.23.

## ADVERTENCIA

- Lea todas las advertencias de seguridad y todas las instrucciones.
- Si no se siguen todas las advertencias e instrucciones se podrían producir descargas eléctricas, incendios, explosiones y/o lesiones graves o daños a la propiedad.
- Evite los arranques accidentales. Asegúrese de que el gatillo se encuentre en la posición de apagado antes de insertar la batería, levantar o transportar el soplador. Transportar el soplador con el dedo en el gatillo o insertar la batería con el gatillo activado aumenta la probabilidad de que se produzcan un arranque imprevisto y accidentes.
- Retire la batería del soplador antes de realizar ajustes, cambiar los accesorios o guardar el soplador. Estas medidas preventivas de seguridad reducen el riesgo de arrancar el soplador por accidente.
- Recargue la batería únicamente con el cargador especificado por STIHL. Un cargador adecuado para un tipo de baterías puede crear un riesgo de incendios si se lo utiliza con un tipo de baterías diferente.
- Utilice el soplador únicamente con las baterías específicamente designadas para la herramienta. El uso de baterías diferentes puede crear un riesgo de incendio o explosión y lesiones personales o daños a la propiedad.
- Cuando no se utiliza la batería, manténgala alejada de objetos metálicos tales como presillas de papel, monedas, llaves, clavos, tornillos u otros objetos



pequeños que pudieran formar una conexión entre los terminales de las baterías. No la almacene en un envase metálico. Un cortocircuito entre los terminales de batería puede causar quemaduras, un incendio o una explosión.

- En condiciones de maltrato, se podría expulsar líquido de la batería; evite el contacto con esta. Si ocurre el contacto accidental, lave la zona con agua. Si el líquido entra en contacto con los ojos, acuda al médico. Los líquidos expulsados de la batería pueden causar irritación, quemaduras químicas o malestares respiratorios debido a la inhalación.
- No utilice una batería o un soplador que presente daños o modificaciones. Las baterías con daños o modificaciones pueden tener un comportamiento impredecible que resulte en incendios, explosiones y riesgo de lesiones o daños a la propiedad.
- No exponga la batería ni el soplador al fuego ni a temperaturas excesivas. La exposición al fuego o a temperaturas superiores a 100 °C (212 °F) puede causar un incendio o una explosión.
- Siga todas las instrucciones de carga y no cargue la batería fuera del intervalo de temperaturas ambiente que se especifica. La carga indebida o efectuada fuera del intervalo especificado puede dañar la batería y aumentar el riesgo de incendios.
- El mantenimiento deberá efectuarlo únicamente un técnico calificado, utilizando piezas de repuesto idénticas.
- No modifique ni intente reparar el soplador o la batería. Siga las instrucciones de uso y cuidado.

## 9 Antes de empezar a trabajar

### 9.1 Preparación del soplador para el funcionamiento

Antes de empezar a trabajar:

- ▶ Cargue la batería completamente. 📖 10.
- ▶ Instale la boquilla. 📖 13.1.

- ▶ Verifique los controles para la función y la condición adecuada. 📖 16.

## 10 Carga de la batería

### 10.1 Preparación del cargador para el funcionamiento

#### ADVERTENCIA

Lea y atégase a las precauciones de seguridad dadas en la batería y en el cargador y todas las advertencias e instrucciones que acompañan a dichos productos. Para reducir el riesgo de cortocircuito, que podría provocar una descarga eléctrica, un incendio y una explosión, asegúrese de que el cargador y sus componentes estén secos y no estén dañados; opere el cargador puertas adentro a la temperatura ambiente adecuada.

#### ADVERTENCIA

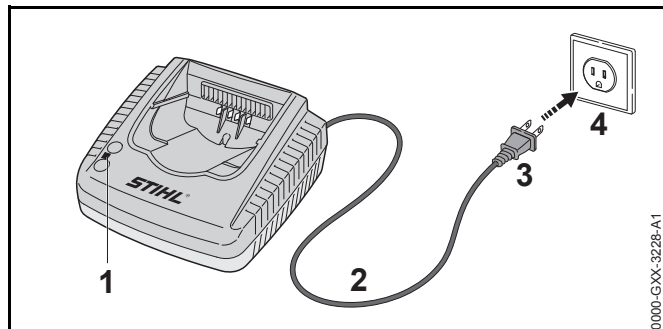
Un circuito eléctrico doméstico típico suministra entre 15 y 20 amperios. Un cargador STIHL AL 500 consume aproximadamente 4,8 A. Un cargador AL 300 consume aproximadamente 4,4 A. Para reducir el riesgo de incendios provocados por la sobrecarga de un circuito eléctrico:

- ▶ Asegúrese de que el sistema eléctrico tiene capacidad suficiente para resistir el consumo eléctrico previsto antes de cargar la batería.
- ▶ Si tiene que cargar varias baterías, cárguelas una a una o en circuitos separados, a menos que tenga la certeza de que su circuito resistirá el consumo total que necesitan todos los cargadores.

#### ADVERTENCIA

Dado que el cargador se calienta durante el proceso de carga, no haga funcionar el cargador sobre superficies que puedan incendiarse o en un lugar donde haya gases, líquidos, vapores, polvo u otros materiales y sustancias combustibles.

Para preparar el cargador para el funcionamiento:



- Inserte el enchufe (3) en una toma de corriente eléctrica (4) correctamente instalada y que coincida con la tensión y la frecuencia eléctrica indicadas en la placa de características del cargador.

El cargador ejecutará una autoprueba inmediatamente después de enchufarlo. El LED del cargador (1) se iluminará en verde durante 1 segundo aproximadamente, y luego en rojo por un lapso breve hasta apagarse. Una vez que el LED se apaga, la autoprueba ha finalizado y el cargador está listo para cargar la batería.

- Coloque el cordón eléctrico (2) de modo que no se pueda pisar, no cause tropiezos, no esté en contacto con objetos cortantes o con partes móviles y no pueda sufrir daños ni esté sujeto a esfuerzos de otro tipo.

## 10.2 Carga

### **⚠ ADVERTENCIA**

Las baterías STIHL tienen características y dispositivos de seguridad que, de dañarse, pueden provocar que la batería genere calor, se rompa, pierda líquido, se incendie o explote. Nunca cargue una batería que funcione mal o que esté dañada, deformada o tenga fugas, ni utilice un cargador averiado. Nunca inserte una batería húmeda ni un adaptador de batería que esté mojado. Nunca use un cargador que esté mojado. Respete todas las advertencias e instrucciones específicas de su batería y de su cargador.

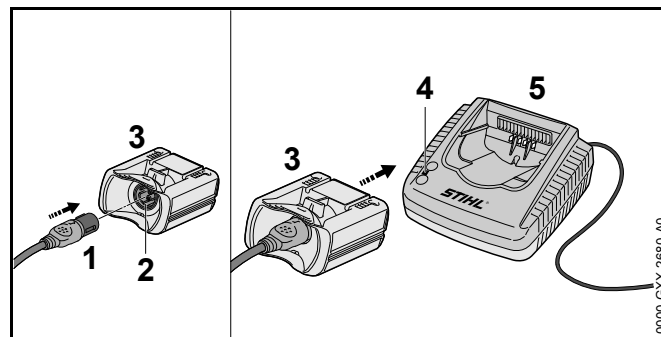
La batería no se suministra completamente cargada de fábrica. STIHL le recomienda que cargue la batería por completo antes de usarla por primera vez.

Utilice el cargador siempre bajo techo, en habitaciones secas y a temperaturas ambiente de entre 41 °F y 104 °F (5 °C y 40 °C).

La batería se calienta durante el funcionamiento de la herramienta motorizada. Si se conecta al cargador una batería caliente, puede ser necesario esperar a que se enfríe para que empiece a cargarse. El proceso de carga solo comienza una vez que la batería se ha enfriado lo suficiente.

El tiempo de carga depende de varios factores, tales como el estado de la batería y la temperatura ambiente. Si quiere ver una lista completa de los tiempos de carga aproximados, visite [www.stihl.com/charging-times](http://www.stihl.com/charging-times).

### Para cargar una batería AR:



- Inserte el enchufe del cable de conexión (1) en el tomacorriente (2) del adaptador AP (3), hasta el tope.

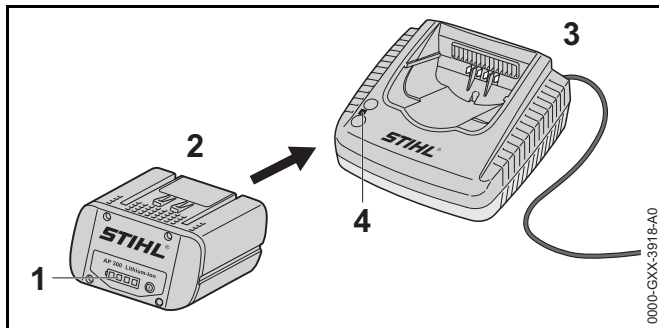
- ▶ Inserte el adaptador AP en el cargador (5) hasta que haga tope.  
El LED del **cargador** (4) se ilumina en verde cuando la batería se está cargando.

Los LED de la **batería AR** se iluminan en verde e indican el estado de carga.

Cuando los LED de la batería se apagan, el proceso de carga ha finalizado y el cargador se apaga automáticamente. El adaptador AP se puede retirar del cargador.

- ▶ Desenchufe el cordón eléctrico del tomacorriente cuando el cargador no se vaya a usar durante un periodo prolongado.
- ▶ Cargue las baterías tipo mochila AR de STIHL únicamente con cargadores de las gamas AL 300 o AL 500 de STIHL auténticos.

#### Para cargar una batería AP:



- ▶ Inserte la batería (2) en el cargador (3) hasta que haga tope.  
El LED del **cargador** se ilumina en verde cuando la batería se está cargando.

Los LED (1) de la **batería AP** se iluminan en verde e indican el estado de la carga.

Cuando los LED de la batería se apagan, el proceso de carga ha finalizado y el cargador se apaga automáticamente. La batería AP se puede retirar del cargador.

- ▶ Desenchufe el cordón eléctrico del tomacorriente cuando no esté usando el cargador.
- ▶ Para cargar las baterías de la gama AP de STIHL, utilice siempre cargadores STIHL AL 101, AL 300 o AL 500 auténticos.

## 11 Diagnóstico por LED y señales acústicas

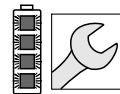
### 11.1 Batería AP de STIHL

#### 11.1.1 Estado de la batería

Cuatro LED muestran el estado de la batería. Estos LED pueden encenderse o destellar en verde o rojo.



**Si un LED se enciende en rojo continuamente**, la batería está demasiado caliente o demasiado fría. Deje que la batería se caliente o se enfríe gradualmente a una temperatura ambiente de aproximadamente 10 °C a 20 °C (50 °F a 68 °F).



**Si los cuatro LED destellan en rojo**: la batería está averiada y debe reemplazarse. No intente cargar, usar ni guardar la batería.

#### 11.1.2 Estado de la herramienta motorizada

Los mismos LED en la batería indican el estado de la herramienta motorizada.

**Si tres LED se encienden en rojo continuamente**, el motor de la herramienta motorizada está demasiado caliente. Deje que el motor se enfríe.

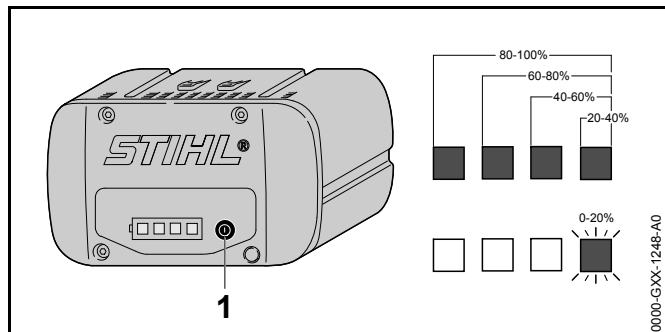
**Si tres LED destellan en rojo cuando activa el gatillo**, la herramienta motorizada tiene un defecto eléctrico. No utilice la herramienta motorizada. Solicite a un concesionario de servicio STIHL autorizado que la revise antes de usarlo.

Para información de localización de averías, 23.

#### 11.1.3 Estado de carga

Los LED en la batería también muestran el estado de carga de la batería.

Para determinar el estado de carga de la batería:



- Presione el botón (1) en la batería. Los LED de la batería se encenderán o destellarán en verde por unos 5 segundos e indicarán el estado de carga (vea la ilustración).

Por ejemplo:

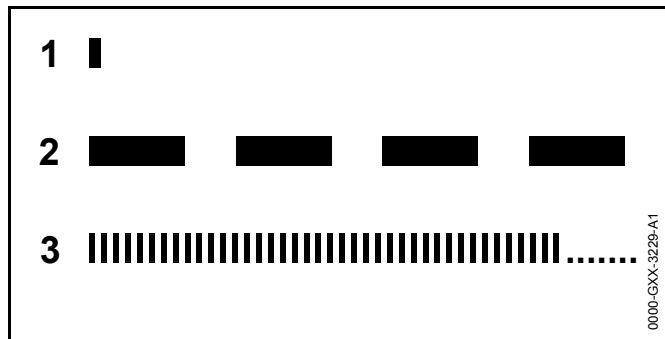
**Si cuatro LED se encienden en verde continuamente,** la carga está completa.

**Si un LED destella en verde,** queda menos del 20 % de la carga.

## 11.2 Batería de mochila STIHL AR

### 11.2.1 Estado de la batería

Seis LED y una señal acústica denotan el estado de la batería.



### 1 Un pitido breve

La señal acústica funciona como debe hacerlo.

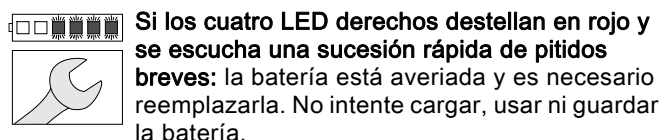
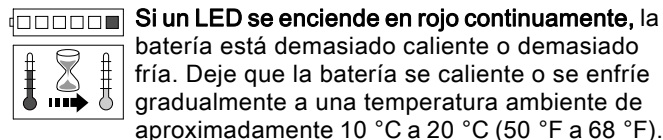
### 2 Cuatro o seis tonos largos (AR L)

La batería tiene poca carga. Recargue la batería.

### 3 Sucesión rápida de pitidos breves

Hay una falla en la batería. La señal se detiene automáticamente al cabo de unos segundos. No intente cargar, usar ni guardar la batería. Sustituya la batería.

Estos LED pueden encenderse o destellar en verde o rojo.



- Sea consciente de que su capacidad para oír la señal acústica puede verse disminuida si usa protectores para oídos.

### 11.2.2 Estado de la herramienta motorizada

Cuando la batería está conectada con la herramienta motorizada, los mismos LED en la batería indicarán el estado de la herramienta motorizada.

**Si tres LED se encienden en rojo continuamente,** el motor de la herramienta motorizada está demasiado caliente. Deje que el motor se enfríe.

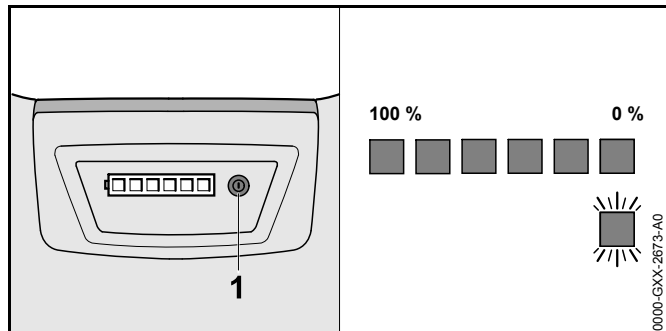
**Si tres LED destellan en rojo cuando activa el gatillo,** la herramienta motorizada tiene un defecto eléctrico. No utilice la herramienta motorizada. Solicite a un concesionario de servicio STIHL autorizado que la revise antes de usarlo.

Para información de localización de averías, 23.

### 11.2.3 Estado de carga

Los LED y señales acústicas en la batería también muestran el estado de carga de la batería.

Para determinar el estado de carga de la batería:



► Pulse el botón (1) en la batería tipo mochila.

Se escucha un pitido breve. Los LED de la batería se encenderán o destellarán en verde por unos 5 segundos e indicarán el estado de carga (vea la ilustración).

Por ejemplo:

**Si seis LED se encienden en verde continuamente,** la carga está completa.

**Si un LED verde destella y se escuchan cuatro pitidos largos:** resta menos de un 20 % de carga.

## 12 Batería de mochila STIHL AR

### 12.1 Colocación del cordón de conexión en posición

#### ⚠ ADVERTENCIA

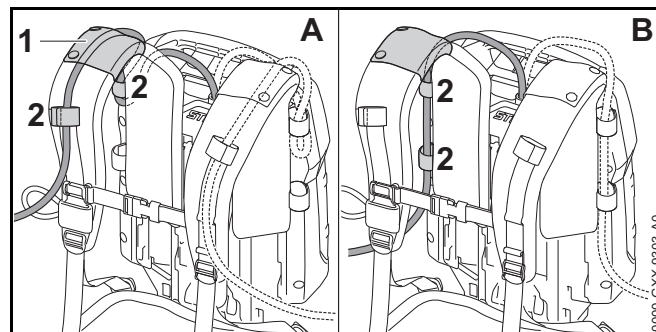
Para reducir el riesgo de lesionarse por tropezar con el cordón de conexión o por la pérdida del control de la herramienta motorizada, siempre asegure el cordón de conexión con el cierre de velcro de la manera descrita a continuación. Siempre coloque y asegure el cordón de conexión de manera que no interfiera con las técnicas de

uso adecuado descritas en el manual de instrucciones de la herramienta o con su capacidad de mantener el control de la misma.

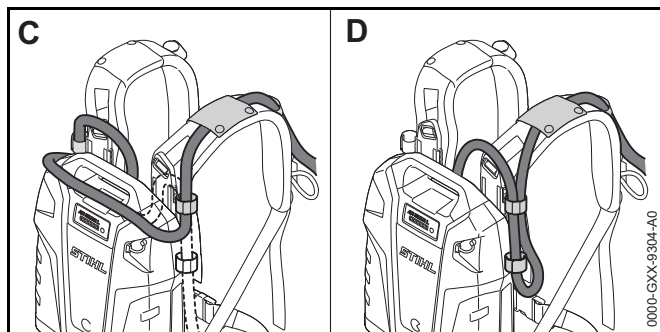
#### ⚠ ADVERTENCIA

Coloque el cordón de manera que se impida que entre en contacto con el accesorio de corte/trabajo o que se enganche en algún objeto, lo cual podría hacerle perder el equilibrio o el control de la herramienta motorizada y dar por resultado lesiones personales graves y daños a la propiedad.

El cordón de conexión puede asegurarse en posiciones diferentes y ajustarse según la estatura y el alcance del operador.



El cordón de conexión puede pasarse por la guía (1) en la tira para el hombro (ilustración A) o a lo largo de la placa trasera (ilustración B). Asegure el cordón de conexión al arnés y con los cierres de velcro (2). Siempre asegure el cordón de conexión utilizando la guía o cierres de velcro hacia el mismo lado del cuerpo en el cual se sujeta y se controla la herramienta motorizada. No permita que el cordón de conexión penda delante de su cuerpo ni a su costado.



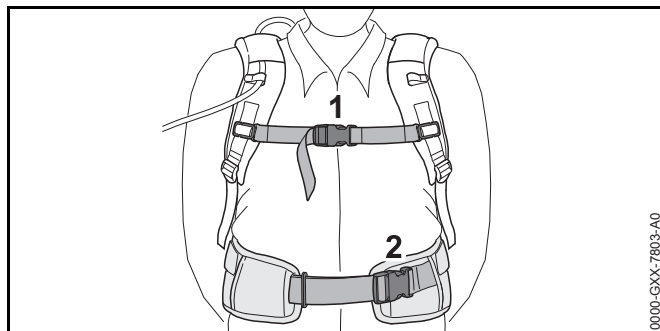
La longitud del cordón de conexión puede ajustarse por medio de formar un lazo por la parte superior (Ilust. C) o por el costado (Ilust. D) de la batería tipo mochila, fijándolo con cierres de velcro.

## 12.2 Colocación del arnés

### **!** ADVERTENCIA

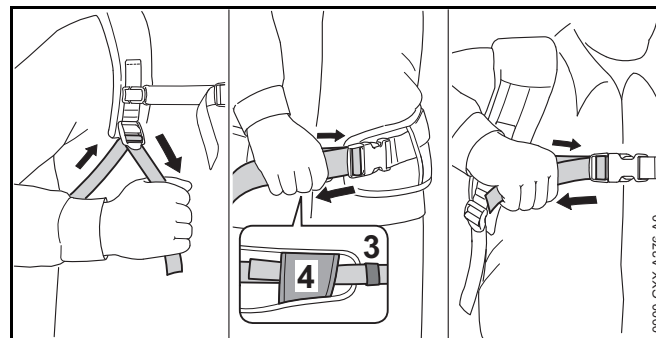
El operador deberá poder despojarse de la batería tipo mochila rápidamente en caso de emergencia. En caso de emergencia, desabroche y quítese el cinturón y la tira de pecho rápidamente, antes de dejar caer la batería al suelo.

Para asegurar una colocación adecuada:



- ▶ Colóquese la batería tipo mochila sobre la espalda.
- ▶ Abroche y ajuste el cinturón (2) de modo que repose de manera cómoda pero segura sobre sus caderas.

- ▶ Abroche la tira para el pecho (1) y ajústela de modo que quede cómoda pero segura por su pecho.



- ▶ Ajuste las tiras del arnés de modo que la almohadilla de la placa quede ajustada y segura contra su espalda.
- ▶ Siempre colóquese el arnés de la batería sobre los dos hombros.
- ▶ Pase el extremo del cinturón por las argollas (3) y (4).
- ▶ Para quitarse el arnés, desabroche las hebillas de soldado rápido del cinturón y de la tira para el pecho y afloje las tiras del arnés por medio de levantar los ajustadores deslizantes.

Para ayudar a reducir el riesgo de lesionarse en caso de emergencia, practique la apertura rápida del sujetador del cinturón y de la correa de pecho, el soldado de las correas de hombro y despojarse de la batería.



### INDICACIÓN

Para evitar daños, coloque la batería suavemente en el suelo cuando esté practicando. No permita que la batería caiga al suelo ni la lance.

## 13 Armado del soplador

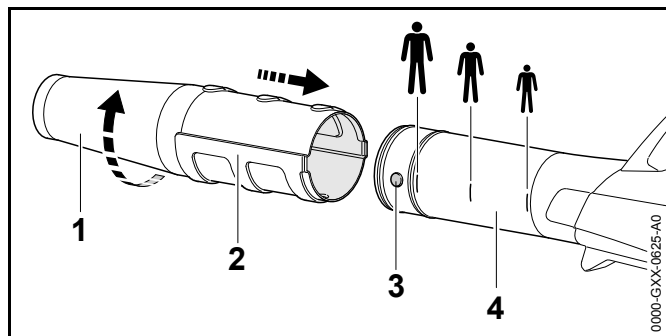
### 13.1 Instalación y ajuste de la boquilla

#### **!** ADVERTENCIA

Antes de comenzar la instalación, asegúrese de que la batería no esté colocada. Nunca opere el soplador si el tubo y la boquilla están mal instalados,  5.6.4. Use solo los accesorios suministrados o expresamente aprobados por STIHL,  5.5.

La boquilla se puede instalar en el tubo del soplador en tres posiciones para adaptar la herramienta a la altura y el alcance del usuario. Las posiciones están marcadas en el tubo del soplador.

Para instalar la boquilla:





- ▶ Alinee las pestañas de montaje de la boquilla (3) con la ranura de la boquilla (2) y empuje la boquilla (1) para montarla en el tubo del soplador (4).
- ▶ Gire la boquilla en el sentido de la flecha hasta que haga tope.  
La boquilla debe quedar bloqueada en su posición.
- ▶ Para retirar la boquilla, invierta el orden de los pasos descritos.


## 14 Colocación y extracción de la batería.

### 14.1 Colocación de la batería

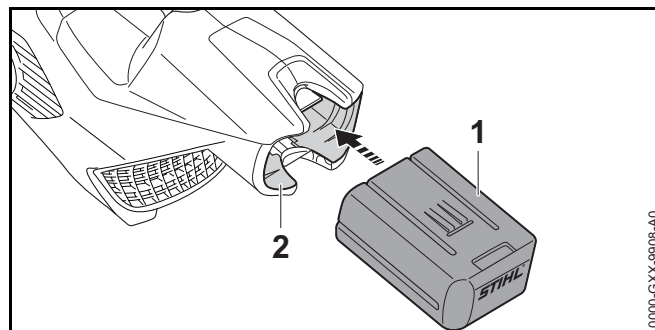
#### **!** ADVERTENCIA

Nunca use una batería que esté defectuosa, dañada, agrietada, que pierda líquido o esté deformada,  6. Use y guarde la batería únicamente a una temperatura ambiente de entre 14 °F y 122 °F (- 10 °C y 50 °C),  6.


#### **!** ADVERTENCIA

Para reducir el riesgo de activación accidental, nunca guarde la batería en el soplador,  20.2.

Para colocar la batería:



- ▶ Coloque el soplador sobre una superficie nivelada.
- ▶ Inserte la batería (1) en su compartimento (2), hasta que haga tope.  
La batería ha quedado colocada correctamente si se ha escuchado un clic y si la batería ha quedado al ras con la parte superior de la carcasa. En esta posición, hay contacto eléctrico entre la batería y el soplador.

Las baterías nuevas no están completamente cargadas. Por eso, STIHL recomienda cargarlas por completo antes de usarlas por primera vez,  10.

## 14.2 Extracción de la batería

### **⚠ ADVERTENCIA**

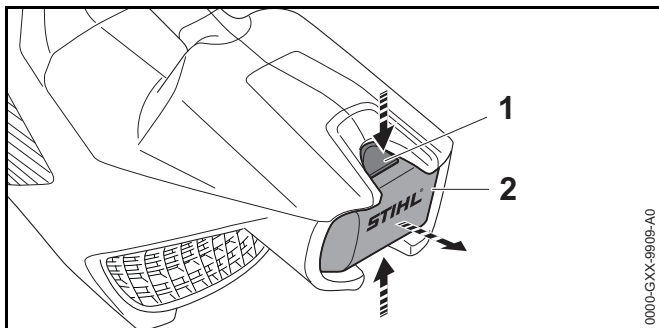
Para reducir el riesgo de lesiones graves provocadas por una activación accidental, retire la batería siempre antes de armar, transportar, ajustar, limpiar, reparar, mantener o guardar el soplador, y siempre que no se esté usando.

### **⚠ ADVERTENCIA**

Saque la batería con cuidado, para evitar que se caiga y provoque lesiones o daños materiales.

Para quitar la batería:

- ▶ Suelte el gatillo.
- ▶ Coloque el soplador sobre una superficie nivelada.
- ▶ Coloque la mano detrás de la batería.



- ▶ Apriete las palancas de bloqueo (1) para sacar la batería (2) de su compartimento.

### **INDICACIÓN**

Evite exponer la batería a un calor excesivo o a la luz solar directa durante períodos prolongados. El uso o el almacenamiento a temperaturas no incluidas en el rango de temperatura ambiente recomendado pueden reducir el rendimiento y/o la vida útil de la batería.

## 15 Encendido y apagado del soplador

### 15.1 Encendido

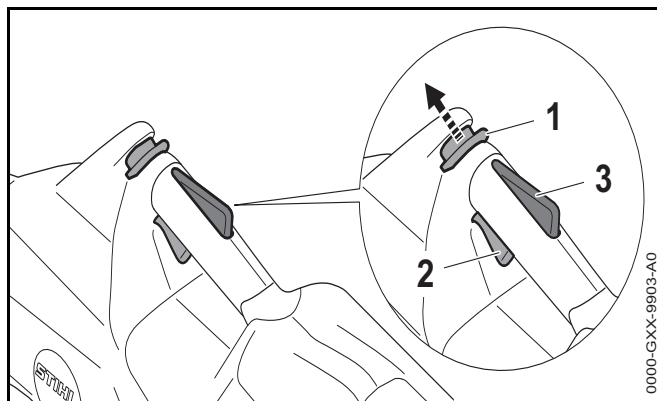
### **⚠ ADVERTENCIA**

Nunca use el soplador si ha sido modificado, está dañado, mal ajustado o reparado, no fue armado completa y debidamente o no funciona de manera correcta, 5.5. Para reducir el riesgo de lesiones personales, use siempre ropa adecuada y vestimenta protectora, incluso protección adecuada para los ojos cuando utilice el soplador, 5.4.

Antes de encender la máquina:

- ▶ Asegúrese de tener los pies bien apoyados.
- ▶ Párese derecho.
- ▶ Siempre sostenga y maneje el soplador colocando firmemente una mano en el mango de control.

Para encender el soplador:



- ▶ Desbloquee el pestillo de retención (1) por medio de empujarlo hacia adelante con su dedo pulgar. Manténgalo en esta posición de desbloqueo.
- ▶ Mientras mantiene oprimido el pestillo de retención, oprima el gatillo (2) con su dedo índice. El soplador se activará.



El motor no se encenderá hasta que se empuje el pestillo de retención hacia delante y se pulse el gatillo a la vez. Una vez que se ha activado el gatillo, se puede soltar el pestillo de retención. Si sujeta la Ergo-Palanca (3) hacia abajo, el gatillo de aceleración permanece desbloqueado.

Cuanto más se oprime el gatillo, tanto más intensa será la fuerza de soplado.

Si suelta el gatillo y la Ergo-Palanca, le será necesario volver a desbloquear la herramienta con el pestillo de retención.

## 15.2 Apagado

### **!** ADVERTENCIA

Para reducir el riesgo de lesiones personales causadas por la activación accidental o el uso no autorizado, apague el motor y retire la batería antes de transportar o de bajar el soplador.

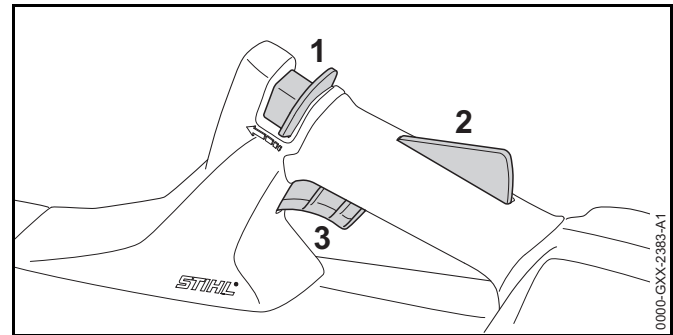
Para apagar el soplador:

- ▶ Suelte el gatillo y la Ergo-Palanca para que el gatillo regrese a la posición de bloqueo. En la posición de bloqueo, el pestillo de retención vuelve a bloquear la activación del gatillo.

## 16 Revisión de los controles

### 16.1 Prueba de los controles

Antes de comenzar a trabajar, confirme que el pestillo de retención (1), la palanca Ergo (2) y el gatillo (3) no tienen daños y que funcionan correctamente.



**Pestillo de retención (1), palanca Ergo (2) y gatillo (3)**

### **!** ADVERTENCIA

Para reducir el riesgo de lesiones causadas por objetos lanzados, use una protección adecuada para los ojos siempre que pruebe los controles. Mantenga una distancia de, como mínimo, 17 pies (5 m) con respecto a las personas que estén en los alrededores.

Para probar los controles:

- ▶ Retire la batería.
- ▶ Intente apretar el gatillo. Si el gatillo se puede apretar sin desbloquear antes el pestillo de retención, lleve el soplador a un concesionario de servicio STIHL autorizado para que lo reparen antes de usarlo.
- ▶ Presione la palanca Ergo hacia abajo. Asegúrese de que se mueve libremente y de que vuelve a su lugar cuando la suelta.
- ▶ Desbloquee el pestillo de retención empujándolo hacia adelante y apretando la palanca Ergo. Cuando lo suelte, el pestillo de retención deberá permanecer desbloqueado mientras mantenga oprimida la palanca Ergo.
- ▶ Coloque la batería.

- ▶ Sujete el soplador firmemente con una mano colocada en el mango de control. Mientras empuja el pestillo de retención hacia delante, apriete el gatillo con el dedo índice.

El soplador debería encenderse. Si no lo hace, llévalo a un concesionario de servicio STIHL autorizado para que lo reparen antes de usarlo.



- ▶ Suelte el gatillo.  
El soplador debería apagarse.

Si el soplador no se apaga después de soltar el gatillo, retire la batería y lleve el soplador a un concesionario de servicio STIHL autorizado para que lo reparen antes de utilizarlo.

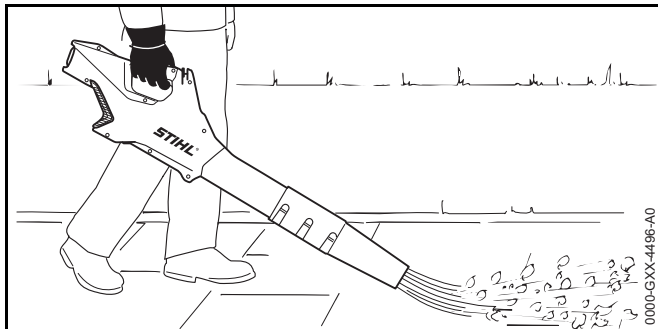
## 17 Durante el funcionamiento

### 17.1 Uso del soplador

#### **!** ADVERTENCIA

Siempre use ropa adecuada y vestimenta protectora, incluidas gafas protectoras adecuadas,  5.4. Nunca dirija el chorro de aire hacia otras personas. Mantenga a las demás personas a por lo menos 5 m (17 pies) de distancia de la zona de trabajo,  5.6.4. Trabaje con cuidado y mantenga un control adecuado del soplador.

El soplador ha sido diseñado para usarse con una sola mano, con la mano derecha o la izquierda.



- ▶ Sostenga la unidad firmemente con la mano, envolviendo los dedos en el mango.
- ▶ Apunte el chorro de aire a los bordes de la pila de material que soplará.

#### **INDICACIÓN**

Nunca dirija el chorro de aire hacia objetos tales como vehículos o ventanas.

Respete todas las leyes, disposiciones, reglamentos y normas del caso.



## 18 Después de completar el trabajo

### 18.1 Preparación para el transporte o el almacenamiento

#### **!** ADVERTENCIA

Para reducir el riesgo de lesiones personales causadas por la activación accidental o el uso no autorizado, apague el motor y retire la batería antes de transportar o de bajar el soplador.

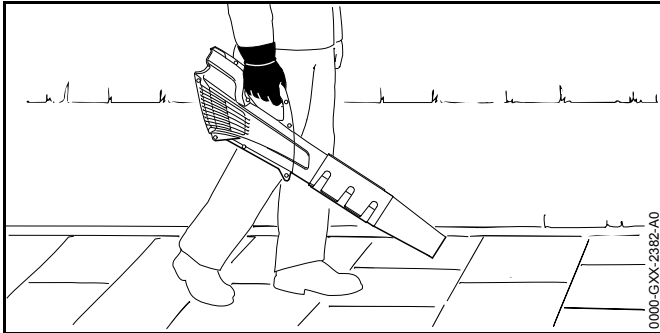
Para preparar el soplador para el transporte o el almacenamiento:

- ▶ Apague el soplador.  15.2.
- ▶ Retire la batería.  14.2.
- ▶ Si la batería o el soplador se humedecieron durante el funcionamiento, déjelos secar por separado y por completo antes de cargarlos o guardarlos.

## 19 Transporte del soplador y de la batería

### 19.1 Soplador

Al transportar el soplador:



- ▶ Cuando transporte el soplador manualmente, sosténgalo del mango de control.
- ▶ Cuando transporte el soplador en un vehículo, fíjelo y ubíquelo de modo que no se tumbe, se golpee o se dañe.

### 19.2 Batería

#### **!** ADVERTENCIA

Para reducir el riesgo de cortocircuito, que podría generar una descarga eléctrica, un incendio o una explosión, nunca transporte la batería en un contenedor metálico o cerca de objetos de metal (por ejemplo, clips para papel, clavos, monedas, llaves). 6

Al transportar la batería:

- ▶ Coloque la batería en un contenedor o una caja que no sea metálico y protéjala de impactos o daños. Nunca transporte la batería en un envase metálico u otro

contenedor capaz de conducir electricidad, ni cerca de objetos metálicos (por ejemplo, clips para papel, clavos, monedas, llaves, etc.).

- ▶ Si transporta la batería en un vehículo, asegúrela junto con su contenedor para prevenir vuelcos, impactos y daños.

Las baterías STIHL cumplen con los requisitos establecidos en el Manual de las Naciones Unidas ST/SG/AC.10/11/Rev.7/Parte III, Subsección 38.3.

El transporte comercial por aire, agua y tierra de celdas de iones de litio y baterías está regulado. Esta batería está clasificada como un producto UN 3480, Clase 9 y grupo de empaque II. Para transportarla, ya sea como parte de la herramienta completa o sola, es necesario cumplir con todas las normas de transporte correspondientes. Antes del transporte o traslado, consulte con la empresa de transporte por tierra o agua, o bien con la aerolínea de carga o pasajeros, para determinar si el transporte está prohibido o sujeto a restricciones o exenciones.

Por lo general, el usuario no necesita cumplir con ninguna condición adicional para poder transportar baterías STIHL por carretera hasta el sitio donde se encuentra la herramienta eléctrica. Verifique y respete cualquier norma especial que pudiera aplicarse a su situación.

Para obtener más información, visite [www.stihlusa.com/battery-transportation-safety](http://www.stihlusa.com/battery-transportation-safety).


## 20 Almacenamiento del soplador y de la batería

### 20.1 Soplador

#### **!** ADVERTENCIA



Guarde el soplador bajo techo, en un lugar seco y bajo llave al que los niños y otras personas no autorizadas no puedan acceder. Nunca guarde la batería en el soplador o el cargador. Un procedimiento incorrecto de almacenamiento podría permitir el uso no autorizado del soplador y causarle daños,

Al guardar el soplador:



- ▶ Limpie el soplador,  21.
- ▶ Guarde el soplador bajo techo, en un lugar seco y bajo llave, fuera del alcance de los niños y de otras personas no autorizadas.

## 20.2 Batería

### ADVERTENCIA

Para reducir el riesgo de que se produzca un cortocircuito que, a su vez, podría causar una descarga eléctrica, un incendio o una explosión, nunca guarde la batería en un recipiente metálico ni cerca de objetos de metal,  5.5. Si la batería está húmeda o mojada, espere a que se seque por completo antes de guardarla,  6.1.

### ADVERTENCIA

Las temperaturas extremas pueden dañar la batería y provocar que esta genere calor, se rompa, pierda líquido, se incendie o explote, lo que podría causar lesiones personales graves o fatales y daños materiales. Use y guarde la batería únicamente a una temperatura ambiente de entre 14 °F y 122 °F (- 10 °C y 50 °C),  6.1. Nunca guarde la batería en un lugar expuesto a la luz solar directa ni dentro de un vehículo si la temperatura exterior es elevada,  6.1.

Para almacenar correctamente la batería:


- ▶ Retire la batería del soplador o del cargador.
- ▶ Asegúrese de que la batería está seca y guárdela bajo techo, en un lugar seco y seguro.
- ▶ Asegúrese de que queda fuera del alcance de los niños y de otras personas no autorizadas.
- ▶ Proteja la batería de la humedad y de los productos corrosivos, como las sustancias químicas utilizadas en el jardín o las sales descongelantes.
- ▶ Proteja la batería de la exposición a líquidos conductores como el agua salada.

- ▶ Para alargar al máximo la vida útil de su batería, guárdela a una temperatura ambiente de entre 50 °F y 68 °F (10 °C y 20 °C), con un nivel de carga de entre el 40 % y el 60 % (2 LED verdes iluminados).
- ▶ Las baterías de repuesto no deben permanecer inutilizadas. Use todas sus baterías, por turnos.

## 21 Limpieza

### 21.1 Limpieza del soplador y de la batería

#### ADVERTENCIA

Para reducir el riesgo de lesiones personales por la activación accidental, quite la batería antes de realizar el trabajo de limpieza,  5.5. Los usuarios de este soplador deben efectuar únicamente la limpieza descrita en este manual.

Para limpiar el soplador y la batería:

- ▶ Limpie la rejilla de admisión cuidadosamente con un cepillo de cerdas suaves cuando sea necesario.
- ▶ Limpie los componentes plásticos del soplador con un paño levemente humedecido. No use detergentes o disolventes. Estos pueden dañar los componentes de polímero.
- ▶ No utilice una hidrolavadora para limpiar el soplador ni lo rocíe con agua u otros líquidos.
- ▶ Mantenga la carcasa de la batería y las guías sin materias extrañas y limpie según sea necesario con un cepillo suave o un paño suave y seco.


## 22 Inspección y mantenimiento

### 22.1 Inspección y mantenimiento del soplador



#### ADVERTENCIA

Para reducir el riesgo de lesiones personales causadas por la activación accidental, quite la batería antes de inspeccionar el soplador o realizar cualquier mantenimiento.

 5.5. Efectúe únicamente las operaciones de mantenimiento que se describen en este manual. No hay reparaciones autorizadas para los usuarios. STIHL recomienda que los concesionarios de servicio STIHL autorizados efectúen los trabajos de reparación.

Para realizar el mantenimiento correcto del soplador:








- ▶ Revise la rejilla de admisión del soplador y reemplácela si está dañada.
- ▶ Si las etiquetas de seguridad están dañadas o faltan, solicite etiquetas de repuesto a un concesionario de servicio STIHL autorizado.

Si usted está reclamando cobertura de garantía para algún componente que no ha sido reparado o mantenido debidamente, es posible que se deniegue la garantía.



## 23 Guía de solución de problemas

### 23.1 Soplador y batería

Siempre retire la batería antes de realizar alguna tarea de inspección, limpieza o mantenimiento.

Condición	LED en batería	Causa	Solución
El soplador no arranca cuando se lo enciende.		No hay contacto eléctrico entre el soplador y la batería.	<ul style="list-style-type: none"> <li>▶ Retire la batería,  14.2.</li> <li>▶ Inspeccione visualmente los contactos eléctricos en el compartimiento de la batería y en la batería.</li> <li>▶ Vuelva a colocar la batería,  14.1.</li> </ul>
	Un LED destella en verde. Serie STIHL AR: se emiten cuatro tonos largos (AR L: seis tonos).	La batería tiene poca carga.	<ul style="list-style-type: none"> <li>▶ Cargue la batería,  10.</li> </ul>
	Un LED se enciende en rojo.	La batería está muy caliente/fría.	<ul style="list-style-type: none"> <li>▶ Deje que la batería se caliente o se enfríe gradualmente a temperaturas ambiente de aproximadamente 10 °C a 20 °C (50 °F a 68 °F).</li> </ul>
	Cuatro LED destellan en rojo. Serie STIHL AR: Además, se emite una sucesión rápida de pitidos cortos.	Batería averiada.	<ul style="list-style-type: none"> <li>▶ Quite la batería y vuelva a colocarla,  14.</li> <li>▶ Encienda el soplador,  15.1.</li> <li>▶ Si los LED continúan destellando, no intente usar la máquina. La batería está averiada y es necesario reemplazarla.</li> </ul>
	Tres LED se encienden en rojo.	El soplador está muy caliente.	<ul style="list-style-type: none"> <li>▶ Deje que el soplador se enfríe.</li> </ul>
	Tres LED destellan en rojo.	El soplador funciona mal.	<ul style="list-style-type: none"> <li>▶ Quite la batería y vuelva a colocarla.  14</li> <li>▶ Encienda el soplador,  15.1.</li> <li>▶ Si los LED continúan destellando, no intente usar la máquina. El soplador tiene una avería y debe ser revisado por un concesionario de servicio.</li> </ul>

**Siempre retire la batería antes de realizar alguna tarea de inspección, limpieza o mantenimiento.**

Condición	LED en batería	Causa	Solución
El soplador se apaga durante el funcionamiento.	Un LED se enciende en rojo.	La batería está muy caliente/fría.	<ul style="list-style-type: none"> <li>▶ Retire la batería,  14.2.</li> <li>▶ Deje que el soplador y la batería se enfríen gradualmente a temperaturas ambiente de aproximadamente 10 °C a 20 °C (50 °F a 68 °F).</li> </ul>
	Tres LED se encienden en rojo.	El soplador está muy caliente.	
El tiempo de funcionamiento es muy breve.		La batería no está completamente cargada.	▶ Cargue la batería,  10.
		Se alcanzó o se superó la vida útil de la batería.	▶ Solicite a un concesionario de servicio STIHL autorizado que revise la batería.
La batería no se carga a pesar de que el LED del cargador se enciende en verde.	Un LED se enciende en rojo.	La batería está muy caliente/fría.	<ul style="list-style-type: none"> <li>▶ Deje que la batería se caliente o se enfríe gradualmente a temperaturas ambiente de aproximadamente 10°C a 20°C (50°F a 68°F).</li> <li>▶ Utilice el cargador únicamente en lugares cerrados y secos a temperaturas ambiente de 41°C a 104°C (5°F a 40°F).</li> </ul>

## 24 Especificaciones

### 24.1 STIHL BGA 86

Para uso doméstico.

- Tipos de batería aprobados:
  - Gama STIHL AP
  - Gama STIHL AR
- Velocidad máxima del aire: 130 mph (58 m/s)
- Peso sin batería: 6,2 lb (2,8 kg)


Si necesita información técnica sobre las baterías de las gamas AP y AR / AR L de STIHL, consulte la información de producto adjunta con su batería.

Si necesita información técnica sobre los cargadores de las gamas AL 101, 300 y 500 de STIHL, consulte la información de producto adjunta con su cargador.

Las baterías, los cargadores y otros accesorios se venden por separado. Póngase en contacto con su concesionario de servicio STIHL autorizado para obtener información sobre precios y disponibilidad.

### 24.2 Símbolos en el soplador y el cargador

Símbolo	Significado
V	Voltio
Hz	Hercio
A	Amperio
Ah	Amperio-hora
W	Vatio
Wh	Vatio-hora
AC	Corriente alterna
IP20	Grado de protección eléctrica


 Apriete y mantenga el pestillo de retención en la dirección indicada para desbloquear el equipo

 Corriente continua



Número de pilas y energía acumulada de acuerdo con las especificaciones del fabricante de las pilas. La cantidad de energía aprovechable será menor.



Los productos STIHL no se deben eliminar junto con la basura doméstica, sino de acuerdo con las leyes y normas locales, estatales y federales y como se especifica en este manual,  26.



El sello RBRC indica que STIHL ha pagado por adelantado el reciclaje de la batería

### 24.3 Mejoramientos técnicos

STIHL tiene la filosofía de mejorar continuamente todos sus productos. Como resultado de ello, periódicamente se introducen cambios de diseño y mejoras. Por lo tanto, es posible que algunos cambios, modificaciones y mejoras no se describan en este manual. Si las características de funcionamiento o la apariencia de su máquina difieren de las descritas en este manual, comuníquese con el concesionario STIHL para obtener la ayuda que requiera.

### 24.4 Declaración de cumplimiento con norma FCC 15

Este dispositivo cumple con la parte 15 de las normas de la FCC.

El funcionamiento está sujeto a las dos condiciones dadas a continuación:

- este dispositivo no deberá causar interferencias nocivas.
- este dispositivo deberá aceptar todas las interferencias que reciba, incluso las interferencias que pudieran causar un funcionamiento no deseado.

Nota: Este equipo ha sido sometido a prueba y se ha hallado que cumple con los límites de los dispositivos digitales Categoría B, según la parte 15 del Reglamento de la FCC. Estos límites están diseñados para ofrecer protección razonable contra las interferencias nocivas en una instalación residencial. Este equipo genera, utiliza y puede irradiar energía a radiofrecuencias y, si no se lo instala y utiliza conforme a las presentes instrucciones, podría



causar interferencias nocivas para las comunicaciones por radio. No obstante, no se ofrece garantía alguna de que la interferencia no ocurrirá en una instalación particular.


Si este equipo llegara a causar interferencias perjudiciales a la recepción de radio o televisión, lo cual puede determinarse encendiendo y apagando el equipo, se le indica al usuario que intente corregir la interferencia por medio de tomar una o más de las medidas siguientes:

- reoriente o cambie la ubicación de la antena de recepción,
- aumente la separación entre el equipo y el receptor,
- conecte el equipo a un tomacorriente de un circuito diferente al cual está conectado el receptor,
- consulte a un concesionario de servicio STIHL autorizado o a un técnico de radio/TV experto para recibir ayuda.

No cambie ni modifique este producto en modo alguno, a menos que se le indique específicamente hacerlo en este manual, puesto que podría anular la autoridad de usarlo.

## 25 Piezas y equipos de repuesto

### 25.1 Piezas de repuesto originales de STIHL

STIHL recomienda el uso de piezas de repuesto originales de STIHL. Es posible identificar las piezas originales de STIHL por el número de pieza STIHL, el logotipo de **STIHL** y, en ciertos casos, el símbolo  de piezas STIHL. En las piezas pequeñas el símbolo puede aparecer solo.

## 26 Eliminación

### 26.1 Desecho de la herramienta motorizada

Los productos STIHL no se deben desechar junto con la basura del hogar, sino de la manera en que se detalla en este manual.

- ▶ Tome la herramienta motorizada y su embalaje a un sitio aprobado para desecharla y que efectúe un reciclaje no dañino al medio ambiente.
- ▶ Comuníquese con un concesionario de servicio STIHL autorizado para obtener la información más actualizada sobre eliminación y reciclado.

### 26.2 Reciclado de las baterías

#### ADVERTENCIA

Manipule las baterías descargadas/agotadas con cuidado. Aunque parezca que están descargadas, las baterías de ion de litio nunca se descargan completamente y pueden generar una corriente de cortocircuito peligrosa. Si se dañan o exponen a temperaturas extremas, pueden perder líquido, generar calor, incendiarse o explotar.

- ▶ Respete todas las leyes y normas federales, estatales y locales sobre eliminación de desechos.
- ▶ Comuníquese con un concesionario de servicio STIHL autorizado para obtener la información más actualizada acerca de la eliminación de desechos.
- ▶ Recicle las baterías agotadas rápidamente.
- ▶ Mantenga las baterías alejadas de los niños. No desarme el producto ni lo incinere.



STIHL está comprometida con el desarrollo de productos que protejan el medio ambiente. Este compromiso no termina cuando el producto sale del concesionario de servicio STIHL autorizado. STIHL se asoció con la RBRC (Corporación de Reciclaje de Baterías Recargables) para fomentar la recolección y el reciclado de baterías de ion de litio STIHL en los Estados Unidos y Canadá.

El sello de la RBRC indica que STIHL ya aportó dinero para el reciclado de la batería. El sello de la RBRC lleva impreso un número telefónico gratuito (1-800-822-8837) que le permite acceder a información sobre lugares de reciclaje de baterías y prohibiciones o restricciones respecto del reciclado de baterías en su zona. También puede devolver las baterías a cualquier concesionario de servicio STIHL autorizado para reciclarlas gratuitamente.

## 27 Garantía limitada

### 27.1 Política de garantía limitada de STIHL Incorporated

Este producto se vende sujeto a la Política de garantía limitada de STIHL Incorporated, disponible en [www.stihlusa.com/warranty.html](http://www.stihlusa.com/warranty.html). También puede obtenerlo de un concesionario de servicio STIHL autorizado o llamando al 1-800-GO-STIHL (1-800-467-8445).

### 27.2 DECLARACIÓN DE GARANTÍA DE STIHL Incorporated SOBRE SISTEMAS DE CONTROL DE EMISIONES SEGÚN NORMAS DE CALIFORNIA

Solo para California

#### SUS DERECHOS Y OBLIGACIONES DE GARANTÍA

El Consejo de Recursos del Aire del Estado de California (CARB) y STIHL Incorporated se complacen en explicarle la Garantía del sistema de control de emisiones instalado en su motor con emisiones nulas de su equipo pequeño de uso fuera de carretera del año 2022 y posteriores.

En California, el equipo nuevo que tiene motores pequeños con emisiones nulas para uso fuera de carretera debe estar diseñado, construido y equipado de conformidad con las rigurosas normas de contaminación del aire del estado. STIHL Incorporated debe garantizar el sistema de control de emisiones del motor pequeño con emisiones nulas para uso fuera de carretera por los intervalos que se mencionan más adelante, siempre que dicho motor o equipo no haya estado sujeto a maltrato, negligencia o cuidado inapropiado y ello causara la falla del sistema de control de emisiones.

El sistema de control de emisiones puede tener componentes tales como un motor con emisiones nulas, una unidad de control del motor, una batería y un cargador de baterías.

Si se da una condición amparada por la garantía, STIHL Incorporated reparará el motor pequeño con emisiones nulas para equipo de uso fuera de carretera sin costo alguno, incluido el diagnóstico, las piezas y la mano de obra.

#### RESPONSABILIDADES DEL FABRICANTE EN RELACIÓN CON LA GARANTÍA

El sistema de control de emisiones de su motor pequeño para uso fuera de carretera tiene una garantía de dos años. Si está defectuoso alguno de los componentes relacionados con el sistema de control de emisiones de su motor pequeño con emisiones nulas para uso fuera de carretera, será reparado o sustituido por STIHL Incorporated sin costo alguno.

#### RESPONSABILIDADES DEL PROPIETARIO EN RELACIÓN CON LA GARANTÍA

Como propietario de motor pequeño con emisiones nulas para equipo de uso fuera de carretera, usted tiene la responsabilidad de llevar a cabo el mantenimiento requerido que se describe en su manual de instrucciones. STIHL Incorporated le recomienda que conserve todos los recibos de los trabajos de mantenimiento hechos en su motor pequeño con emisiones nulas para equipo de uso fuera de carretera, pero STIHL Incorporated no puede denegar la garantía basándose únicamente en el hecho de que faltan recibos o de que el propietario no ha cumplido con su obligación de llevar a cabo todos los trabajos de mantenimiento programados.

Sin embargo, como propietario del motor pequeño con emisiones nulas para equipo de uso fuera de carretera, usted debe ser consciente de que STIHL Incorporated puede negarle la garantía si dicho motor o un componente del mismo ha fallado debido a maltrato, descuido, mantenimiento inadecuado o modificaciones no autorizadas.

Usted es responsable de llevar el motor pequeño con emisiones nulas para equipo de uso fuera de carretera a un concesionario de servicio de STIHL tan pronto surja el problema. Las reparaciones cubiertas por la garantía deben realizarse en un tiempo razonable, de no más de 30 días.

Si tiene cualquier duda sobre sus derechos y sus responsabilidades en relación con la garantía, póngase en contacto con un representante del servicio de atención al cliente de STIHL llamando al 1-800-467-8445, o si lo prefiere, escriba a

STIHL Incorporated  
536 Viking Drive  
P.O. Box 2015  
Virginia Beach, VA  
23452-2015  
www.stihlusa.com

### **COBERTURA OFRECIDA POR STIHL INCORPORATED**

STIHL Incorporated garantiza al último comprador y a cada uno de los compradores subsiguientes que el pequeño motor cero emisiones para equipo todo terreno está diseñado, construido y equipado, al momento de la venta, de conformidad con todos los reglamentos sobre emisiones aplicables.

Además, STIHL Incorporated garantiza también al comprador inicial y a cada comprador subsiguiente que el motor cero emisiones está libre de defectos de fabricación y de materiales que podrían provocar que el motor no cumpliera los reglamentos sobre emisiones aplicables durante un período de dos años.

### **PERÍODO DE GARANTÍA CONTRA DEFECTOS**

El período de garantía comenzará el día en que el comprador inicial adquiera el motor con emisiones nulas de equipo utilitario. Si cualquier pieza de su motor de emisiones nulas relacionada con el sistema de control de emisiones está defectuosa, será sustituida por STIHL Incorporated sin costo alguno para el propietario.

No está permitido usar componentes adicionales o modificados que no hayan sido eximidos por el Consejo de Recursos del Aire (CARB). El uso de cualquier componente adicional o modificado no eximido será motivo de denegación de la garantía. STIHL Incorporated no asumirá

responsabilidad alguna por fallas en los componentes cubiertos por la garantía causadas por el uso de un componente adicional o modificado no eximido.

La garantía que cubre los componentes relacionados con las emisiones se interpretará de la manera siguiente:

- 1) Cualquier componente garantizado cuyo reemplazo no está programado como mantenimiento requerido en las instrucciones escritas requeridas en la Lista de Piezas bajo la Garantía de Control de Emisiones (vea más abajo) debe garantizarse por el período de garantía definido en la subsección COBERTURA POR STIHL INCORPORATED, vea más arriba. Si uno de estos componentes falla durante el período de garantía, el fabricante debe repararlo o sustituirlo de acuerdo con la subsección (4), más abajo. Un componente reparado o sustituido bajo la garantía debe garantizarse durante el resto del período de garantía.
- 2) Cualquier componente garantizado que solamente debe inspeccionarse periódicamente de acuerdo con las instrucciones escritas requeridas en la Lista de Piezas bajo la Garantía de Control de Emisiones (vea más abajo) debe garantizarse por el período de garantía definido en la subsección COBERTURA POR STIHL INCORPORATED, vea más arriba. Una declaración en las instrucciones escritas tal como "reparar o sustituir según sea necesario" no acortará el período de cobertura de garantía. Un componente de este tipo que se haya reparado o sustituido bajo la garantía debe garantizarse durante el resto del período de garantía.
- 3) Cualquier componente cubierto por la garantía para el que esté programada una tarea necesaria de mantenimiento en las instrucciones por escrito requeridas por la lista de piezas bajo la garantía de control de emisiones (vea más abajo) debe garantizarse por el período de tiempo anterior al primer punto de sustitución programado para este componente. Si el componente falla antes de la primera sustitución programada, el fabricante del motor con emisiones nulas debe repararlo o sustituirlo de acuerdo con la subsección (4), más abajo. Cualquier componente de este tipo que se haya reparado o sustituido bajo la garantía debe garantizarse por el resto del período previo al primer punto de sustitución programado para el componente.

- 4) La reparación o sustitución de cualquier componente cubierto por la garantía debe llevarse a cabo en una estación de reparaciones de garantía sin costo alguno para el propietario.
- 5) No obstante lo expuesto en la subsección (4), más arriba, los servicios o las reparaciones bajo garantía se proveerán en todos los centros de distribución del fabricante autorizados para dar servicio a los motores con emisiones nulas en cuestión.
- 6) Al propietario no se le debe cobrar el trabajo de diagnóstico que establece que el componente garantizado está realmente defectuoso, siempre y cuando este trabajo de diagnóstico se lleve a cabo en una estación de reparaciones bajo garantía.

### TRABAJO BAJO GARANTÍA

STIHL Incorporated reparará los defectos amparados por la garantía en cualquier estación de garantía o centro de servicio autorizado por STIHL. Cualquier trabajo de este tipo se llevará a cabo sin costo alguno para el propietario si se determina que la pieza cubierta por la garantía está defectuosa. Para llevar a cabo las tareas de mantenimiento o reparación cubiertas por la garantía en los componentes relacionados con el sistema de control de emisiones se puede usar cualquier pieza de repuesto aprobada por el fabricante o equivalente. La pieza de repuesto se facilitará al propietario sin costo alguno. STIHL Incorporated es responsable de los daños que se produzcan en otros componentes del motor con emisiones nulas a consecuencia de la falla de una pieza garantizada que todavía está bajo garantía.

### LISTA DE PIEZAS BAJO LA GARANTÍA DE EMISIONES

Motor, batería, cargador de baterías, unidad de control del motor

### DÓNDE RECLAMAR EL SERVICIO DE GARANTÍA

Lleve el producto de STIHL a cualquier concesionario autorizado de STIHL.

### LIMITACIONES

La reparación o la sustitución de cualquier componente garantizado y normalmente abarcado por la garantía se puede excluir de la garantía si STIHL Incorporated demuestra maltrato, negligencia o mantenimiento incorrecto del producto de STIHL, y que tal maltrato, negligencia o mantenimiento incorrecto ha sido la causa directa de la necesidad de reparación o sustitución del componente. A pesar de lo anterior, cualquier ajuste de un componente que tenga un dispositivo limitador instalado de fábrica que funcione correctamente no perjudicará la cobertura de la garantía.

## 28 Marcas comerciales

### 28.1 Marcas comerciales registradas

STIHL®

**STIHL®**

**GI®**

La combinación de colores anaranjado-gris (Registros en EE. UU. #2,821,860; #3,010,057; #3,010,058; #3,400,477; y #3,400,476)

AutoCut®

YARD BOSS®

STIHL ROLLOMATIC®

WOOD BOSS®



FARM BOSS®

iCademy®

MAGNUM®

MasterWrench Service®

MotoMix®

OILOMATIC®

ROCK BOSS®

STIHL Cutquik®

STIHL DUROMATIC®

STIHL Quickstop®



STIHL WOOD BOSS®

TIMBERSPORTS®



### 28.2 Marcas comerciales por ley común

4-MIX™	HT Plus™
BioPlus™	STIHL PowerSweep™
Easy2Start™	STIHL Protech™

EasySpool™	STIHL MiniBoss™
ElastoStart™	STIHL MotoPlus 4™
Ematic™	Master Control Lever™
STIHL Precision Series™	STIHL OUTFITTERS™
FixCut™	STIHL PICCO™
Micro™	TrimCut™
Pro Mark™	STIHL M-Tronic™
Quad Power™	STIHL HomeScaper Series™
Quiet Line™	STIHL PolyCut™
STIHL Arctic™	STIHL RAPID™
STIHL Compact™	STIHL SuperCut™
STIHL Interchangeable Attachment Series™	STIHL Multi-Cut HomeScaper Series™
TapAction™	STIHL Territory™
	

Esta lista de marcas comerciales está sujeta a cambios.

Queda terminantemente prohibido todo uso de estas marcas comerciales sin el consentimiento expreso por escrito de ANDREAS STIHL AG & Co. KG, Waiblingen.

## 29 Direcciones

### 29.1 STIHL Incorporated

STIHL Incorporated  
536 Viking Drive  
P.O. Box 2015  
Virginia Beach, VA  
23452-2015





**⚠ WARNING**

Use of this blower can disperse dust and other substances containing chemicals known to the State of California to cause cancer, birth defects or other reproductive harm.

**⚠ ADVERTENCIA**

El uso de este soplador puede dispersar polvo y otras sustancias que contienen productos químicos considerados por el Estado de California como causantes de cáncer, defectos de nacimiento u otra toxicidad reproductora.

**⚠ WARNING**

This blower and battery contain chemicals known to the State of California to cause cancer, birth defects or other reproductive harm.

**⚠ ADVERTENCIA**

Este soplador y esta batería contienen productos químicos considerados por el Estado de California como causantes de cáncer, defectos de nacimiento u otra toxicidad reproductora.

0458-824-8621-B

englisch / spanisch USA



[www.stihl.com](http://www.stihl.com)



0458-824-8621-B