

# STIHL

## STIHL FSA 135 R

Instruction Manual  
Manual de instrucciones



### **WARNING**

Read Instruction Manual thoroughly before use and follow all safety precautions – improper use can cause serious or fatal injury.

### **ADVERTENCIA**

Antes de usar la máquina lea y siga todas las precauciones de seguridad dadas en el manual de instrucciones – el uso incorrecto puede causar lesiones graves o mortales.



**Instruction Manual**

**1 - 57**

**Manual de instrucciones**

**58 - 120**

# Contents

<b>1</b>	<b>Introduction</b>	<b>3</b>	10.1 STIHL AP Battery	25
<b>2</b>	<b>Guide to Using this Manual</b>	<b>3</b>	10.2 STIHL AR Backpack Battery	25
2.1	Signal Words	3	<b>11 STIHL AR Backpack Battery</b>	<b>27</b>
2.2	Symbols in Text	4	11.1 Positioning the Connecting Cord	27
<b>3</b>	<b>Main Parts</b>	<b>4</b>	11.2 Putting on the Harness	27
3.1	Trimmer / Brushcutter and Battery	4	<b>12 Assembling the Trimmer / Brushcutter</b>	<b>28</b>
3.2	Available Cutting Attachments and Deflectors	5	12.1 Mounting the Loop Handle	28
<b>4</b>	<b>Safety Symbols on the Products</b>	<b>6</b>	12.2 Mounting the Barrier Bar	29
4.1	Trimmer / Brushcutter	6	12.3 Mounting and Removing a Deflector	29
4.2	Deflectors for Mowing Heads	6	12.4 Mounting and Removing a Mowing Head	30
4.3	Deflectors for Metal Cutting Attachments	7	12.5 Mounting and Removing a Metal Cutting Attachment	32
4.4	Skirt	7	<b>13 Adjusting the Trimmer / Brushcutter</b>	<b>34</b>
4.5	Battery	7	13.1 Putting on and Adjusting the Shoulder Strap or Full Harness	34
<b>5</b>	<b>IMPORTANT SAFETY INSTRUCTIONS</b>	<b>8</b>	13.2 Adjusting the Loop Handle	34
5.1	General Safety Warnings and Instructions	8	13.3 Balancing the Trimmer / Brushcutter	35
5.2	Introduction	9	<b>14 Inserting and Removing the Battery</b>	<b>35</b>
5.3	Intended Use	9	14.1 Inserting the Battery	35
5.4	Operator	10	14.2 Removing the Battery	36
5.5	Personal Protective Equipment	10	<b>15 Switching the Trimmer / Brushcutter On and Off</b>	<b>36</b>
5.6	Trimmer / Brushcutter	11	15.1 Switching On	36
5.7	Using the Trimmer / Brushcutter	12	15.2 Switching Off	37
5.8	Working with the Cutting Attachments	17	<b>16 Checking the Power Tool</b>	<b>37</b>
<b>6</b>	<b>Maintenance, Repair and Storage</b>	<b>20</b>	16.1 Testing the Controls	37
6.1	Warnings and Instructions	20	<b>17 During Operation</b>	<b>38</b>
<b>7</b>	<b>Battery Safety</b>	<b>21</b>	17.1 Selecting the Power Level	38
7.1	Warnings and Instructions	21	17.2 Using the Trimmer / Brushcutter	39
<b>8</b>	<b>Before Starting Work</b>	<b>23</b>	17.3 Adjusting the Nylon Line	39
8.1	Preparing the Trimmer / Brushcutter for Operation	23	<b>18 After Finishing Work</b>	<b>40</b>
<b>9</b>	<b>Charging the Battery</b>	<b>23</b>	18.1 Preparing for Transportation or Storage	40
9.1	Setting up the Charger	23	<b>19 Transporting the Trimmer / Brushcutter and Battery</b>	<b>40</b>
9.2	Charging	24		
<b>10</b>	<b>LED Diagnostics and Acoustic Signals</b>	<b>25</b>		

# STIHL

This instruction manual is protected by copyright. All rights reserved, especially the rights to reproduce, translate and process with electronic systems.

19.1 Trimmer / Brushcutter.....	40	<b>29 Trademarks</b> .....	<b>57</b>
19.2 Battery.....	41	29.1 Registered Trademarks.....	57
<b>20 Storing the Trimmer / Brushcutter and Battery</b> .....	<b>41</b>	29.2 Common Law Trademarks.....	57
20.1 Trimmer / Brushcutter.....	41	<b>30 Addresses</b> .....	<b>57</b>
20.2 Battery.....	41	30.1 STIHL Incorporated.....	57
<b>21 Cleaning</b> .....	<b>42</b>		
21.1 Cleaning the Trimmer and Battery.....	42		
21.2 Cleaning the Air Filter.....	42		
<b>22 Inspection and Maintenance</b> .....	<b>43</b>		
22.1 Inspection and Maintenance Chart.....	43		
22.2 Inspecting and Maintaining the Trimmer / Brushcutter.....	43		
22.3 Lubricating the Gearbox.....	43		
22.4 Replacing the Trimmer Line on an AutoCut 25-2 Mowing Head.....	44		
22.5 Sharpening and Balancing a Metal Cutting Attachment.....	45		
<b>23 Troubleshooting Guide</b> .....	<b>47</b>		
23.1 Trimmer / Brushcutter and Battery.....	47		
<b>24 Specifications</b> .....	<b>49</b>		
24.1 STIHL FSA 135 R.....	49		
24.2 Symbols on the Power Tool, Deflector and Battery.....	49		
24.3 Engineering Improvements.....	49		
24.4 FCC 15 Compliance Statement.....	49		
<b>25 Approved Deflector, Cutting Attachment, Handle and Harness Combinations</b> .....	<b>51</b>		
25.1 STIHL FSA 135 R.....	51		
<b>26 Replacement Parts and Equipment</b> .....	<b>54</b>		
26.1 Genuine STIHL Replacement Parts.....	54		
<b>27 Disposal</b> .....	<b>54</b>		
27.1 Disposal of the Power Tool.....	54		
27.2 Battery Recycling.....	54		
<b>28 Limited Warranty</b> .....	<b>54</b>		
28.1 STIHL Incorporated Limited Warranty Policy.....	54		
28.2 STIHL Incorporated CALIFORNIA ZERO EMISSIONS CONTROL WARRANTY STATEMENT.....	55		

## 1 Introduction

Thank you for your purchase. The information contained in this manual will help you receive maximum performance and satisfaction from your trimmer and, if followed, reduce the risk of injury from its use.

The terminology utilized in this manual when referring to the power tool reflects the type of cutting attachments that may be mounted on it. The term "trimmer" is used to designate an FS / FSA unit that is equipped with a nylon line head or a head with flexible plastic blades (i.e., the PolyCut head.) A "brushcutter" designates a unit equipped with a rigid metal blade. Many STIHL FS / FSA models, including this power tool, may be used as either a trimmer or a brushcutter. Therefore, the power tool is referred in this manual as a "trimmer / brushcutter."

### SAVE THIS MANUAL!



Because a trimmer / brushcutter is a high-speed cutting tool, special safety precautions must be observed to reduce the risk of personal injury.



Read this instruction manual thoroughly before use and periodically thereafter. Follow all safety precautions. Careless or improper use can cause serious or fatal injury.

Have your authorized STIHL servicing dealer show you how to operate your power tool.

Do not lend or rent the power tool without this instruction manual. Allow only persons who fully understand the information in this manual to operate the trimmer / brushcutter.

For further information, or if you do not understand any of the instructions in this manual, please go to [www.stihlusa.com](http://www.stihlusa.com) or contact your authorized STIHL servicing dealer.

### WARNING

As more fully explained later in this manual, to reduce the risk of personal injury, make sure your unit is equipped with the proper handle, harness and deflector for the type of cutting attachment you are using. Use only cutting attachments that are specifically authorized by STIHL for use with this power tool. Always wear proper protective apparel and eye protection. Bystanders, especially children, and animals should not be allowed in the work area where the trimmer is in use.

### WARNING

Use of this machine may be hazardous. If the rotating line or blade comes in contact with your body, it will cut you. When it comes in contact with solid foreign objects such as rocks, glass or bits of metal, it may fling them directly or by ricochet in the direction of bystanders or the operator. Striking such objects could damage the cutting attachment and may cause blades to crack, chip or break. Thrown objects, including broken heads or blades, may result in serious or fatal injury to the operator or bystanders. Follow the safety precautions in this manual to reduce the risk of personal injury.

## 2 Guide to Using this Manual

### 2.1 Signal Words

This manual contains safety information that requires your special attention. Such information is introduced with the following symbols and signal words:

#### DANGER

Indicates a hazardous situation that, if not avoided, will result in death or serious injury.

#### WARNING


Indicates a hazardous situation that, if not avoided, could result in death or serious injury.

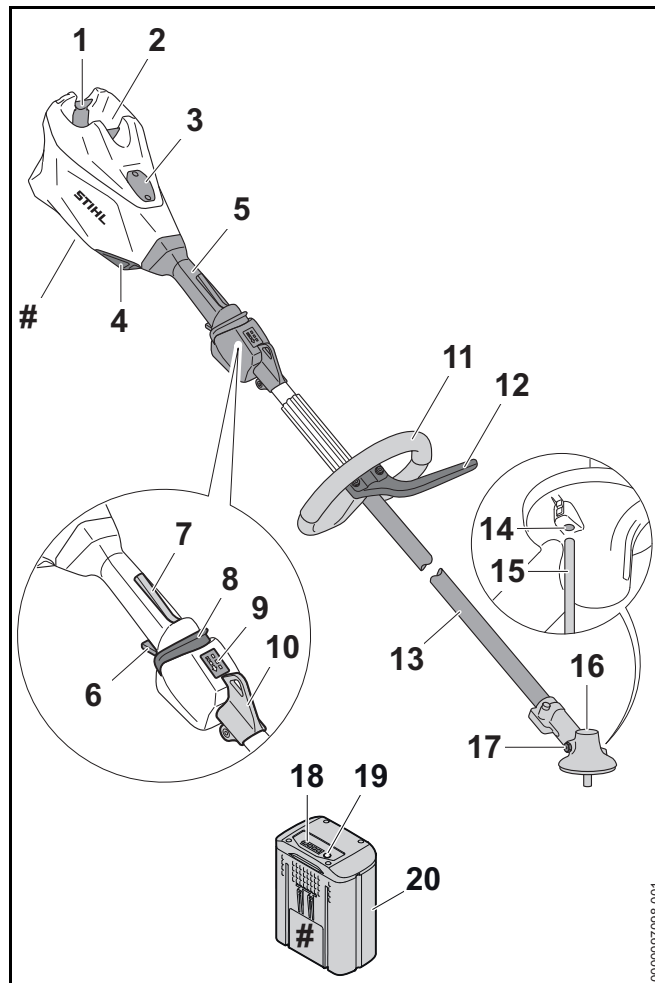
**NOTICE**

Indicates a risk of property damage, including damage to the machine or its individual components.

**2.2 Symbols in Text**

The following symbol is included to assist you with the use of the manual:

 Refers to a designated chapter or sub-chapter in this instruction manual.

**3 Main Parts****3.1 Trimmer / Brushcutter and Battery****1 Locking Lever**

Secures the battery in the battery compartment.

**2 Battery Compartment**

Holds the battery.

**3 Mounting Recess**

Mounting area for a Smart Connector 2 A.

**4 Air Filter**

Filters the air drawn into the motor.

**5 Control Handle**

Handle for the operator's rear hand.

**6 Trigger Switch**

Activates the cutting attachment when depressed.

**7 Trigger Switch Lockout**

Must be depressed to allow activation of the trigger switch.

**8 Retaining Latch**

For switching the trimmer / brushcutter on and selecting the power level.

**9 LEDs**

Indicate the unit's power level.

**10 Carrying Ring**

For connecting a harness to the trimmer / brushcutter.

**11 Loop Handle**

Handle for the operator's front hand.

**12 Barrier Bar**

Designed to reduce the risk of inadvertent operator contact with the cutting attachment. Required equipment when operating the unit with a metal blade.

**13 Drive Tube**

Shaft of the power tool.

**14 Opening for Stop Pin**

Opening that allows the operator to block the output shaft by inserting the stop pin.

**15 Stop Pin**

Blocks the output shaft when mounting a cutting attachment.

**16 Gearbox**

Covers the transmission system.

**17 Screw Plug**

Seals the grease filler opening at the gearbox.

**18 Battery LEDs**

Indicate the battery's state of charge and display error messages regarding potential malfunctions in the battery or power tool.

**19 Push Button**

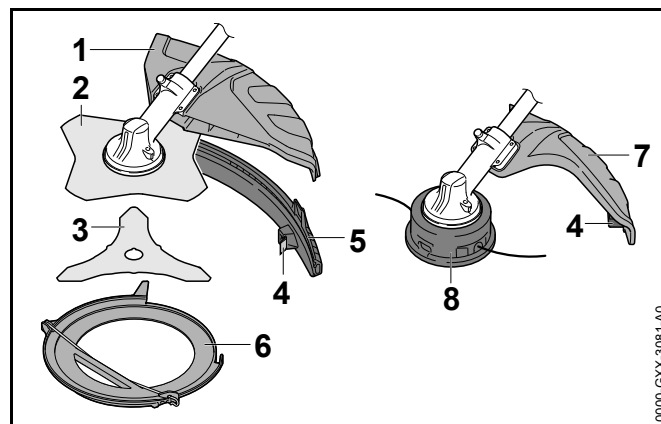
Activates the battery's LEDs.

**20 Battery**

Supplies electrical power to the motor.

**# Rating Plate**

Contains electrical information and the product's serial number.

**3.2 Available Cutting Attachments and Deflectors****1 Deflector for Metal Cutting Attachments**

Designed to reduce the risk of injury from thrown objects and contact with the cutting attachment.

**2 Grass Cutting Blade**

Metal grass blade to cut matted and dry grass, ferns, weeds and similar vegetation.

**3 Brush Knife**

Metal brush blade to cut through heavy grass, weeds, brush, scrub and similar vegetation.

**4 Line Limiting Blade**

Metal blade on the deflector that trims the nylon mowing line to the proper length.

**5 Skirt**

Converts certain STIHL deflectors for use with a mowing head.

**6 Transport Guard**

Designed to reduce the risk of injury from contact with a metal cutting attachment while transporting the unit.

**7 Deflector for Mowing Heads**

Designed to reduce the risk of injury from thrown objects and contact with the cutting attachment.

**8 Mowing Head**

Mowing head for mounting nylon trimmer line.

This power tool is sold with a cutting attachment and appropriate deflector. Other cutting attachments and appropriate deflectors are available as accessories.

## 4 Safety Symbols on the Products

**4.1 Trimmer / Brushcutter**

The following safety symbols are found on the trimmer / brushcutter:



To reduce the risk of injury, follow the specified safety precautions.



Read and follow all safety precautions in the instruction manual. Improper use can lead to serious or fatal personal injury or property damage.



To reduce the risk of eye injury, always wear proper eye protection. Wear an approved protective helmet when there is a risk of head injury, 5.5.



Wear sturdy boots with non-slip soles. When working with a metal cutting attachment, wear steel-toed safety boots, 5.5.



Always wear non-slip, heavy-duty work gloves (e.g. made of leather or other wear resistant material) when handling the machine or metal cutting attachments, 5.5.



Kickout (blade thrust) may cause loss of control of the power tool resulting in serious or fatal injury to the operator or bystanders. To reduce the risk of injury, use extreme caution when using a rigid blade, 5.8.1.



To reduce the risk of personal injury from thrown objects, inspect the work area and remove stones, glass, rocks, pieces of metal and other objects that could be thrown by the cutting attachment. 5.7.4.



To reduce the risk of personal injury from thrown objects, keep bystanders at least 50 ft. (15 m) away, 5.7.4.



To reduce the risk of injury or property damage from unintended activation, remove the battery any time the trimmer / brushcutter is not in use, 7.



The gearbox becomes hot during operation. To reduce the risk of burn injury, avoid contacting the gearbox while it is still hot following operation, 6.

**4.2 Deflectors for Mowing Heads**

The following symbols may be found on deflectors designed for use with mowing heads:





The deflector may be used in combination with mowing heads.



The deflector must not be used in combination with grass cutting blades.



The deflector must not be used in combination with brush knives.



The deflector must not be used in combination with shredder blades.



The deflector must not be used in combination with circular saw blades.

### 4.3 Deflectors for Metal Cutting Attachments

The following symbols may be found on deflectors designed for use with metal cutting attachments:



The deflector must not be used in combination with mowing heads.



The deflector may be used in combination with grass cutting blades.



The deflector may be used in combination with brush knives.



The deflector must not be used in combination with shredder blades.



The deflector must not be used in combination with circular saw blades.

### 4.4 Skirt

When using a deflector designed for use with a metal cutting attachment or mowing head, the skirt must be mounted securely in accordance with the instructions at the bottom of the deflector before working with a mowing head.

The following symbol may be found on the skirt:



This deflector may be used in combination with mowing heads.

### 4.5 Battery

The following safety symbols are found on the AR series backpack battery and the AP series battery:



To reduce the risk of injury, follow the specified safety precautions.




Read and follow all safety precautions in the battery's instruction manual and the manual for the STIHL tool powered by this battery. Improper use can lead to serious or fatal personal injury or property damage.




To reduce the risk of personal injury or property damage from fire, explosion or burns, including chemical burns, do not disassemble, crush, drop, damage or heat above 212 °F (100 °C). Never expose to fire or incinerate, 7.



To reduce the risk of personal injury or property damage from fire, use and store only within an ambient temperature range of 14 °F to 122 °F (- 10 °C to 50 °C),  7.


#### AR 900, 1000, 2000, 3000 Backpack Batteries



To reduce the risk of personal injury or property damage from a short circuit, fire or explosion, keep dry. Protect from rain, water, liquids and damp conditions. Never immerse in water or other liquids,  7.


#### AR L Backpack Batteries



To reduce the risk of personal injury or property damage from a short circuit, fire or explosion, keep dry. Never immerse in water or other liquids,  7.

#### AP Series Batteries



To reduce the risk of personal injury or property damage from a short circuit, fire or explosion, keep dry. Never immerse in water or other liquids,  7.

Batteries sold separately.

## 5 IMPORTANT SAFETY INSTRUCTIONS

### 5.1 General Safety Warnings and Instructions

This section contains the prescribed general safety warnings and instructions for handheld, motor-operated electric trimmers. Additional important warnings and instructions are provided in subsequent sections of this manual.

## ⚠ WARNING

- When using electric trimmers, basic safety precautions should always be followed to reduce the risk of fire, electric shock and personal injury, including the following:

### READ ALL INSTRUCTIONS BEFORE USING THE TRIMMER!

- 1) Avoid Dangerous Environment – Don't use trimmers in damp or wet locations.
- 2) Don't Use In Rain.
- 3) Keep Children Away – All bystanders should be kept at a distance from work area.
- 4) Dress Properly – Do not wear loose clothing or jewelry. They can be caught in moving parts. Heavy-duty work gloves (e.g. made of leather or other wear resistant material) and substantial footwear are recommended when working outdoors. Wear protective hair covering to contain long hair.
- 5) Use Safety Glasses – Always use face or dust mask if operation is dusty.
- 6) Use Right Tool – Do not use tool for any job except that for which it is intended.
- 7) Avoid Unintentional Starting – Do not carry trimmer with finger on the trigger switch. Be sure the trimmer is off when inserting the battery.
- 8) Don't Force Trimmer – It will do the job better and with less likelihood of a risk of injury at the rate for which it was designed.
- 9) Don't Overreach – Keep proper footing and balance at all times.
- 10) Stay Alert – Watch what you are doing. Use common sense. Do not operate trimmer when you are tired.
- 11) Store Trimmer Indoors – When not in use, trimmer should be stored indoors in a dry, locked place out of reach of children with the battery removed.

- 12) Maintain Trimmer With Care – Keep cutting attachment clean for best performance and to reduce the risk of injury. Follow instructions for lubricating and changing accessories. Keep handles dry, clean, and free from oil and grease.
- 13) Check Damaged Parts – Before further use of the trimmer, a guard or other part that is damaged should be carefully checked to determine that it will operate properly and perform its intended function. Check for alignment of moving parts, binding of moving parts, breakage of parts, mounting, and any other condition that may affect its operation. A guard or other part that is damaged should be properly repaired or replaced by an authorized service center unless indicated elsewhere in this manual.
- 14) Keep guards in place and in working order.
- 15) Keep metal cutting blades sharp.
- 16) Keep hands and feet away from cutting area and cutting attachment.

## SAVE THESE INSTRUCTIONS

### 5.2 Introduction

## WARNING

- Use of this machine may be hazardous. If the rotating line or blade comes in contact with your body, it will cut you. When it comes in contact with solid foreign objects such as rocks, glass or bits of metal, it may throw or fling them directly or by ricochet in the direction of bystanders or the operator. Striking such objects could damage the cutting attachment and may cause blades to crack, chip or break. Thrown objects, including broken heads or blades, may result in serious or fatal injury to the operator or bystanders. As more fully explained later in this manual, to reduce the risk of personal injury:
  - Make sure your unit is equipped with the proper handle, harness and deflector for the type of cutting attachment you are using.
  - Use only cutting attachments that are specifically authorized by STIHL for use on your trimmer model.

- Do not lend or rent your trimmer without the instruction manual. Be sure that anyone using it understands the information contained in this manual. Have your dealer show you how to operate your trimmer. Observe all applicable laws, regulations, standards and ordinances.

### 5.3 Intended Use

## WARNING

- When mounted with a mowing head or grass cutting blade, this trimmer / brushcutter may be used for cutting heavy grass, weeds and similar vegetation. When mounted with a brush knife, it may be used for cutting heavy grass, weeds, brush, scrub and similar vegetation with a maximum diameter of 0.8 in. (20 mm).
  - Do not use it for any other purposes.
- Improper use could result in personal injury or property damage, including damage to the power tool.
  - Use the power tool and battery only as described in this manual.
  - Never attempt to modify or override the trimmer's / brushcutter's controls or safety devices in any way.
  - Never use a trimmer / brushcutter that has been modified or altered from its original design.
  - Be sure to read and follow the warnings and instructions for your battery and charger before charging or starting work.
- This power tool may be powered by a STIHL AP series battery. Alternatively, it may be powered by a STIHL AR series backpack battery in combination with an AP Adapter.

Batteries, chargers and other accessories are sold separately.

## 5.4 Operator

### WARNING

- Working with the power tool can be strenuous. The operator must be in good physical condition and mental health. To reduce the risk of personal injury from fatigue and loss of control:
  - Check with your doctor before using the power tool if you have any health condition that may be aggravated by strenuous work.
  - Do not operate the power tool while under the influence of any substance (drug, alcohol or medication, etc.) that might impair vision, balance, dexterity or judgment.
  - Be alert. Do not operate the power tool when you are tired. Take a break if you become tired.
  - Do not permit minors to use the power tool.
- According to STIHL's current knowledge, the electric motor of this power tool should not interfere with a pacemaker.
  - However, persons with a pacemaker or other implanted medical device should consult their physician and device manufacturer before operating the power tool.

## 5.5 Personal Protective Equipment

### WARNING

- Even a properly installed and adjusted deflector may not protect the operator from all foreign objects thrown or flung by the cutting attachment. Thrown objects may also ricochet and strike the operator. To reduce the risk of personal injury:
  - Always wear proper clothing and protective apparel, including proper eye protection.
- Loss of control and severe cut injuries may result if hair, clothing or apparel make contact with the moving cutting attachment or otherwise become entangled in the components of the trimmer / brushcutter. To reduce the risk of severe personal injury:



- Wear sturdy and snug-fitting clothing that also allows complete freedom of movement.
- Wear overalls or long pants made of heavy material to help protect your legs. Do not wear shorts.

- Avoid loose-fitting jackets, scarves, neckties, flared or cuffed pants, jewelry and any other apparel that could be caught on branches, brush or the moving cutting attachment.
- Secure hair above shoulder level before starting work.

- To reduce the risk of eye injury:



- Always wear goggles or close-fitting protective glasses with adequate side protection that are impact-rated and marked as complying with ANSI Z87 "+".
- If there is a risk of facial injury, STIHL recommends that you also wear a face shield or face screen over your goggles or protective glasses. When working with a metal cutting attachment, always wear a face shield.
- Wear an approved protective helmet when there is a risk of head injury.

- Good footing is very important. To help maintain a secure footing and reduce the risk of injury while working:



- Wear substantial footwear with non-slip soles. Do not wear sandals, flip-flops, open-toed or similar footwear. When working with a metal cutting attachment, wear steel-toed safety boots.

- To improve your grip and help protect your hands:



- Always wear heavy-duty non-slip work gloves made of leather or another wear-resistant material when handling the trimmer / brushcutter.
- Always wear heavy-duty work gloves when mounting or otherwise handling a metal cutting attachment.

## 5.6 Trimmer / Brushcutter

### **⚠** WARNING

- To reduce the risk of electric shock:
  - Do not immerse the power tool in water or other fluids.
  - Store the power tool indoors.
- If the moving cutting attachment contacts you, it will result in serious laceration injuries. To reduce the risk of such injuries:
  - Keep hands, feet and other parts of your body away from the cutting attachment.
  - Never touch the moving cutting attachment with your hand or any other part of your body.
  - Never operate the trimmer / brushcutter with a damaged or missing deflector.
- To reduce the risk of personal injury to the operator and bystanders from blade or line contact and thrown objects:



- Make sure your unit is equipped with the proper deflector, handle and harness for the type of cutting attachment being used. Keep the deflector and the attached skirt, where appropriate, properly adjusted at all times.
- Use of some cutting attachments will require you to change the deflector, barrier bar and/or harness. See chapter 25 of this manual for approved cutting attachment, deflector, handle and harness configurations.
- To reduce the risk of personal injury to the operator and bystanders:



- Always release the trigger switch and remove the battery before assembling, transporting, adjusting, inspecting, cleaning, servicing, maintaining or storing the trimmer / brushcutter, and any other time it is not in use.
- Never leave the power tool unattended when the battery is inserted.
- Although certain unauthorized attachments may fit your STIHL trimmer / brushcutter, their use may be extremely dangerous. Only attachments supplied by STIHL or expressly approved by STIHL for use with this specific model are recommended.
  - Use only attachments supplied or expressly approved by STIHL.
  - Never modify this trimmer / brushcutter in any way.
  - Never attempt to modify or override the trimmer's / brushcutter's controls or safety devices in any way.
  - Never use a trimmer / brushcutter that has been modified or altered from its original design.
  - For a list of cutting attachments authorized by STIHL for your unit, along with the approved deflector, handle and harness configurations, see Chapter 25 of this instruction manual or the STIHL "Cutting Attachments, Parts & Accessories" catalog, available from your dealer or at [www.stihlusa.com](http://www.stihlusa.com).
- If the power tool or battery is dropped or subjected to similar heavy impacts:
  - Check that it is undamaged, in good condition and functioning properly before continuing work.
  - Check that the controls and safety devices are working properly.
  - Check the LEDs on the battery for error messages, 23.
  - Check that the battery has not been damaged. Never use or charge a malfunctioning, damaged, cracked, leaking or deformed battery.

- Never work with a damaged or malfunctioning power tool or battery. In case of doubt, have the power tool and battery checked by your authorized STIHL servicing dealer.
- If the power tool or battery is damaged, not working properly, has been left outdoors or dropped into water or other liquid, its components may no longer function properly and safety devices may be inoperative. To reduce the risk of personal injury and property damage:
  - Take the power tool and battery to your authorized STIHL servicing dealer to be checked before further operation.
- Genuine STIHL replacement parts are specifically designed to match your power tool and meet safety and performance requirements. Use of parts that are not authorized or approved by STIHL may cause serious or fatal injury or property damage.
  - STIHL recommends that only identical STIHL replacement parts be used.


## 5.7 Using the Trimmer / Brushcutter


### 5.7.1 Before Operation


#### **▲ WARNING**

- Misuse or unauthorized use may result in personal injury and property damage.
  - Use the trimmer / brushcutter only as described in this instruction manual.
- The cutting attachment and deflector must be an approved combination.



- Do not use circular saw blades on this trimmer / brushcutter.
- Read and follow the instructions on selecting the proper cutting attachment and deflector,  25.

- The cutting attachment must be properly installed and tightened before starting work. Failure to use the proper parts to mount the cutting attachment may cause the blade or mowing head to fly off and seriously injure the operator or bystanders.
  - Read and follow the instructions on mounting the cutting attachment, deflector and handle,  12.
  - Never mount a cutting attachment to the trimmer / brushcutter without the proper installation of all required parts (e.g., nuts, screws, thrust washer, thrust plate, etc.).
  - Before starting work, inspect for loose parts (nuts, screws, etc.) and for a cracked or damaged head or a cracked, bent, warped or damaged blade.
  - Replace damaged or worn out heads or blades before using the power tool.
  - Always keep metal cutting attachments sharp.
- Using only an approved combination of cutting attachment and deflector is extremely important to maximize cutting performance and reduce the risk of personal injury from thrown objects or contact with the cutting attachment:
  - To reduce the risk of serious injury, never use wire or metal-reinforced line or other material in place of the recommended nylon cutting line. Pieces of wire could break off and be thrown at high speed toward the operator or bystanders.
- Using a trimmer / brushcutter that is modified, damaged, improperly adjusted or maintained, or not completely and securely assembled can lead to a malfunction and increase the risk of serious personal injury or death.
  - Never operate a trimmer / brushcutter that is modified, damaged, improperly maintained or not completely and securely assembled.
  - Always check your unit for proper condition and operation before starting work, particularly the retaining latch, trigger switch lockout, trigger switch, deflector, harness and cutting attachment.


- Ensure that the retaining latch, trigger switch lockout and trigger switch move freely and spring back into place when released. The trigger switch must not engage until the trigger switch lockout is depressed.
- Never attempt to modify or override the controls or safety devices in any way.
- The cutting attachment must engage only when the battery is inserted, the retaining latch is once pushed forward and the trigger switch lockout and trigger switch are depressed.
- If your trimmer / brushcutter or any part, including the battery, is damaged or does not function properly, take it to your authorized STIHL servicing dealer. Do not use the unit until the problem has been corrected.
- Before inserting the battery:
  - Check the electrical contacts in the battery compartment for corrosion or other foreign matter. Keep clean.
  - Never insert or use a malfunctioning, damaged, cracked, leaking or deformed battery.
  - Read and follow the instructions on switching on the power tool,  15.1.
- To help reduce the risk of serious personal injury or death from unintentional starting:
  - Be sure the trigger switch lockout is in the locked position and the trigger switch is in the off position before inserting the battery.
  - Never carry the unit with your finger on the trigger switch.
  - Release the trigger switch before removing the battery.



- Remove the battery before assembling, transporting, adjusting, inspecting, cleaning, servicing, maintaining or storing the trimmer / brushcutter, and any other time it is not in use.

- Never leave the power tool unattended when the battery is inserted.

- Never store the battery in the trimmer / brushcutter.

- Before switching on your trimmer / brushcutter, take the following steps to reduce the risk of personal injury from thrown objects, loss of control or inadvertent contact with the cutting attachment:
  - Be sure that the cutting attachment is clear of you and all other obstructions and objects, including the ground.
  - Read and follow the instructions on switching on the trimmer / brushcutter,  15.1.


### 5.7.2 Holding and Controlling the Trimmer / Brushcutter

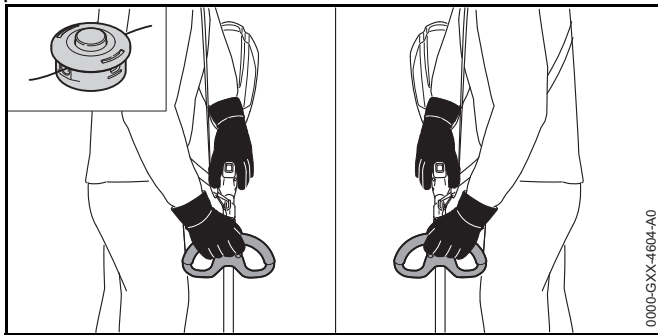
## WARNING

- To maintain a firm grip and properly control your trimmer / brushcutter:
  - Keep the handles clean and dry at all times. Keep them free of moisture, pitch, oil, grease and resin.
- Operating the trimmer / brushcutter with one hand may lead to loss of control and is extremely dangerous. To reduce the risk of serious or fatal injury to the operator or bystanders from loss of control:

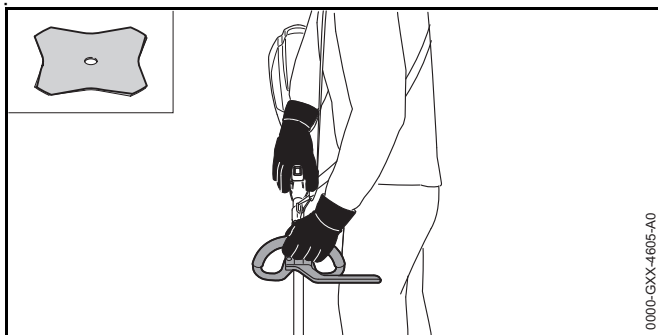


- Never attempt to operate the trimmer / brushcutter with one hand.

- To reduce the risk of serious or fatal injuries to the operator or bystanders from loss of control:
  - Always hold the power tool firmly with both hands when you are working.
  - Wrap your fingers tightly around the handles, keeping the handles cradled between your thumb and forefinger (see illustration below).
  - Position the power tool so that all parts of your body are clear of the cutting attachment whenever the battery is inserted.
  - The operator must use a harness as instructed in this manual,  25



- When the unit is mounted with a metal cutting attachment, the operator must take special precautions to reduce the risk of severe injury from loss of control and contact with the cutting blade:
  - The operator must mount the proper deflector and the barrier bar as instructed in this manual, 12.2 and 12.3.
  - The operator must use a harness, 13.1.
  - During operation, the operator's right hand must grip the rear handle and the operator's left hand must hold the front handle. This applies to all operators, even those who are left-handed. Working with your hands in this position will allow you to more effectively manage the reactive forces encountered when working with a metal blade.



- Working with the cutting attachment above ground level or perpendicular to the ground increases the risk of severe injury from thrown objects. It also exposes more of the

cutting attachment and makes the unit more difficult to control, increasing the risk of injury. To reduce the risk of serious or fatal injury from loss of control or thrown objects:

- Keep the cutting attachment at ground level, parallel to the ground.

- To reduce the risk of serious or fatal injuries to the operator or bystanders from contact with the cutting attachment:



- Keep hands, feet and other body parts away from the cutting attachment.
- Never touch a moving cutting attachment with your hand or any other part of your body.

- Do not touch the cutting attachment while the battery is inserted in the power tool.

- To reduce the risk of serious or fatal cut injuries to the operator or bystanders from loss of control, keep proper footing and balance at all times:

- Make sure you have good balance and a secure footing at all times.
- Take special care in overgrown or wet terrain and always watch for hidden obstacles such as tree stumps, roots, rocks, holes and ditches to avoid stumbling or falling.
- Be extremely cautious when working on slopes or uneven ground, as the battery may alter your center of balance.
- For better footing, always clear away fallen branches, scrub, cuttings and other material, objects or vegetation that can increase the danger of slipping, tripping or falling.
- Never operate above waist height.
- Do not overreach.

- The trimmer / brushcutter should be balanced for proper control and less fatigue during operation.

- Adjust the position of the loop handle and harness to achieve and maintain a comfortable and effective working position, 13.



### 5.7.3 Working Conditions

## **⚠** WARNING

- Operate your trimmer / brushcutter only under good visibility during favorable daylight conditions.
  - Postpone the work if the weather is windy, foggy, rainy or inclement.
- Your trimmer / brushcutter is a one-person machine.
  - Bystanders, especially children, and animals should not be allowed in the area where it is in use.
  - Switch it off immediately if you are approached.
- To reduce the risk of injury to bystanders and unauthorized users:
  - Never leave the trimmer / brushcutter unattended when the battery is inserted.
  - Switch off the unit and remove the battery during work breaks and any other time the power tool is not in use.
- Sparks generated from operation of the trimmer / brushcutter, may be capable of igniting combustible gases, liquids, vapors, dusts or other combustible materials and substances. To reduce the risk of fire and explosion:
  - Never operate the trimmer / brushcutter in a location where combustible gases, liquids, vapors, dusts or other combustible materials and substances are present.
  - Read and follow recommendations issued by government authorities (e.g., OSHA) for identifying and avoiding the hazards of combustible gases, liquids, vapors, dusts or other combustible materials and substances.
- If a rotating metal blade strikes a rock or other hard object, sparks may be created, which can ignite flammable materials under certain circumstances. Flammable materials can include dry vegetation and brush, particularly when weather conditions are hot and dry.
  - When there is a risk of fire or wildfire, do not use metal blades around flammable materials or around dry vegetation or brush.
  - Contact your local fire authorities or the U.S. Forest Service if you have any question about whether vegetation and weather conditions are suitable for the use of a metal blade.
  - STIHL does not recommend the use of metal blades when cutting in rocky areas or in areas with debris or other objects that could create sparks.
- Use of this trimmer / brushcutter can generate dust and other substances containing chemicals known to cause respiratory problems, cancer, birth defects and other reproductive harm.
  - Consult governmental agencies such as EPA, OSHA, CARB and NIOSH and other authoritative sources on hazardous materials if you are unfamiliar with the risks associated with the particular substances you are cutting or with which you are working.
- Inhalation of certain dusts, especially organic dusts such as mold or pollen, can cause susceptible persons to have an allergic or asthmatic reaction. Substantial or repeated inhalation of dust or other airborne contaminants, especially those with a smaller particle size, may cause respiratory or other illnesses.
  - Control dust at the source where possible.
  - To the extent possible, operate the trimmer / brushcutter so that the wind or operating process directs any dust, mist or other particulate matter raised by the trimmer / brushcutter away from the operator.
  - When respirable dust or other particulate matter cannot be kept at or near background levels, always wear a respirator that is approved by NIOSH and rated for worksite-specific conditions. Follow the

recommendations of governmental authorities (e.g., OSHA/NIOSH) and occupational and trade associations.

- If the vegetation being cut or the surrounding ground is coated with a chemical substance, such as a pesticide or herbicide:
  - Read and follow the instructions and warnings that accompanied the substance coating the vegetation or surrounding ground.

#### 5.7.4 Operating Instructions

### ▲ WARNING

- In the event of an emergency:
  - Switch off the motor immediately and remove the battery.
- The cutting attachment continues to rotate for a short period after the trigger switch is fully released. This is known as the "flywheel effect." To reduce the risk of serious personal injury from contact with the cutting attachment:
  - Wait for the cutting attachment to stop before walking with the unit or putting it down.
- The rotating cutting attachment may fling foreign objects directly or by ricochet a great distance. Thrown objects, including broken cutting attachments, may cause serious or fatal injury to the operator or bystanders. To reduce the risk of severe personal injury:




- Inspect the work area. Remove stones, glass, rocks, pieces of metal or other objects that could be thrown by the cutting attachment, damage the cutting attachment or cause personal injury or damage to property (e.g., parked vehicles, windows).
- STIHL does not recommend the use of rigid blades when cutting in rocky areas or in areas where there is debris or other objects that could be thrown by the cutting attachment.



- Always wear proper eye protection and keep bystanders at least 50 ft. (15 m) away from the work area. Any persons who must enter the restricted area must also wear proper eye protection.
- To reduce the risk of damage to property, also maintain this distance from such objects as vehicles and windows.
- Maintaining a minimum distance of 50 ft. (15 m) cannot eliminate the potential risk of personal injury and property damage from thrown objects.
- Switch off the motor immediately if you are approached while working with the trimmer / brushcutter.
- Your trimmer / brushcutter is equipped with a deflector. To reduce the risk of personal injury from thrown objects and contact with the cutting attachment:



- Never operate the trimmer / brushcutter with a damaged or missing deflector.
- The cutting attachment and deflector must be an approved combination.
- Keep the deflector properly adjusted at all times.

- Use of wire, metal-reinforced line or other non-approved cutting attachments is not authorized and could be extremely dangerous.
  - Never use wire or metal-reinforced line on this trimmer / brushcutter. Use only the cutting attachments recommended in this manual, in combination with the recommended deflector. See Combinations of Deflectors and Cutting Attachments,  25.
- To reduce the risk of severe personal injuries from unintentional starting:



- Never touch the cutting attachment or mowing head with your hand, feet or any other part of your body while the battery is inserted, even when the cutting attachment is not moving. Keep bystanders at least 50 ft. (15 m) away.



- Switch off the motor and remove the battery before inspecting a mowing head, cutting attachment or deflector. Clean dirt, grass, weeds and other material from the mowing head or blade and deflector at regular intervals, but only after removing the battery.

- A damaged or loose cutting attachment may vibrate, crack, break or come off during operation, which may result in serious or fatal injury.
  - Make sure the cutting attachment is properly tightened before starting work.
  - Check the tightness and condition of the cutting attachment before starting work and any time cutting behavior changes during use. Always switch off the motor, wait for the cutting attachment to stop and remove the battery before inspecting the trimmer / brushcutter or its cutting attachment.
  - If the cutting attachment loosens after being properly tightened, stop work immediately and have the unit inspected by your authorized STIHL servicing dealer.

- A cracked, damaged or worn out cutting attachment may shatter at high speeds and cause serious or fatal injury.
  - Replace a cracked, damaged or worn out mowing head or a cracked, bent, warped, damaged, dull or worn out blade immediately, even if damage appears to be limited to superficial cracks.
  - Never use a trimmer / brushcutter with a loose or damaged cutting attachment.

## DANGER

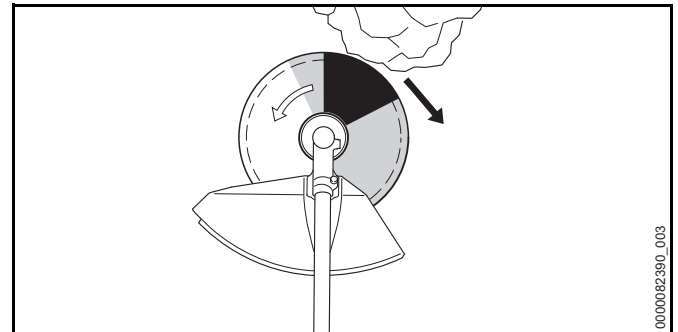
- To reduce risk of electrocution:



- Never operate this trimmer in the vicinity of any wires or cables that may be carrying electric current. Look carefully for concealed wires before starting work.
- Do not rely on the trimmer's insulation against electric shock, even when holding the power tool by insulated gripping surfaces.

## 5.8 Working with the Cutting Attachments

### 5.8.1 Kickout (Blade Thrust) with All Metal Cutting Attachments



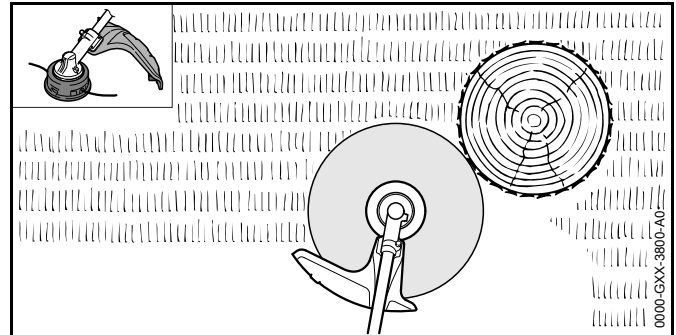
## ⚠ WARNING



Kickout (blade thrust) is the sudden and uncontrolled movement of the cutting head toward the operator's right or rear that can occur when the shaded areas (especially the darkly shaded area) of a rotating blade contact a solid rigid object like a tree, rock, bush or wall. The cutting attachment may be thrown to the right or to the rear (black arrow) any time the rapid rotation of the blade is stopped, slowed, snagged or bound in an object that it doesn't immediately cut.

- This kickout (blade thrust) may cause loss of control and may result in serious or fatal injury to the operator or bystanders. To reduce the risk of injury, extreme caution should be used when cutting with the shaded area of any rigid blade (see illustration).
- The greater the force of the kickout reaction, the more difficult it becomes for the operator to control the unit. Blade thrust is more likely to occur in areas where it is difficult to see the material being cut.
- Many factors influence the occurrence and force of the kickout reaction. These include cutting attachment speed, the speed at which the cutting attachment contacts the object, the location and angle of contact, the condition of the cutting attachment, and how quickly the cutting attachment is slowed, snagged or stopped, among other factors.
  - Use caution when working with the shaded areas of any metal cutting attachment.
- To reduce the risk of personal injury from kickout and blade thrust when using a rigid cutting attachment:
  - Avoid cutting close to fences, sides of buildings, tree trunks or other such objects when a metal cutting blade is mounted. STIHL recommends using a nylon line head for such jobs.
  - Keep metal cutting attachments sharp.
  - Keep bystanders at least 50 ft. (15 m) away from the work area.

### 5.8.2 Using a Mowing Head



- ▶ When working, sweep the trimmer in a controlled manner, parallel to the ground in front of you.

Mowing heads are to be used only on units equipped with a line-limiting blade in the deflector in order to keep the line at the proper length. When trimming along a fence, wall or around trees, it is preferable to use a mowing head with nylon line to reduce the risk of blade thrust or kickout, damage to the cutting attachment, and to reduce damage to the fence, wall or trees.

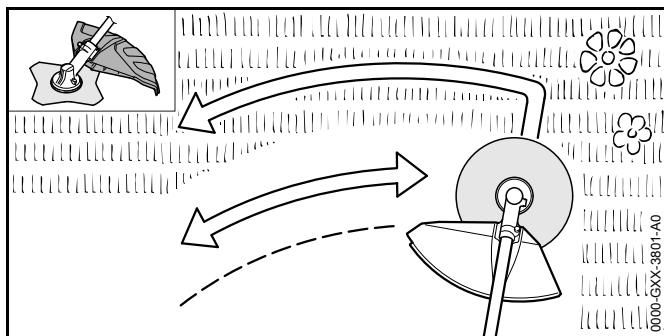
## ⚠ WARNING

- To reduce the risk of serious injury:
  - Never use wire or metal-reinforced line or other material in place of the recommended nylon cutting line. Pieces of wire could break off and be thrown at high speed toward the operator or bystanders.
- A cracked, damaged or worn out mowing head may shatter at high speeds and cause serious or fatal injury.
  - Have a cracked, damaged or worn out mowing head replaced immediately, even if damage appears to be limited to superficial cracks.
- When working close to fences, sides of buildings, tree trunks of other such objects, be alert to an increased possibility of ricochets.



- Take care to clear area of all objects and debris before trimming along fences or walls, near tree trunks or other objects that could increase the possibility of injury from the ricochet of thrown objects.

### 5.8.3 Using a Grass Cutting Blade



- ▶ When working with a grass cutting blade, sweep the trimmer in a controlled manner, parallel to the ground in front of you. To reduce the risk of kickout, use the left side of the cutting blade.

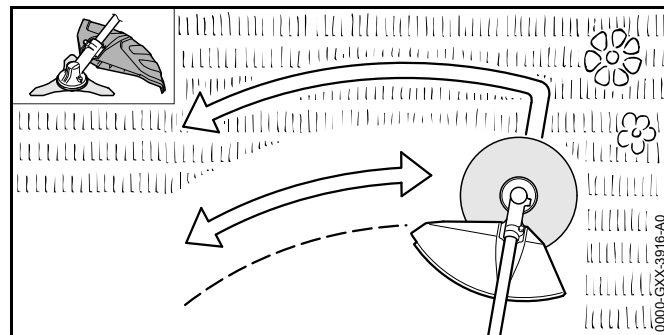
All kinds of grass and weeds can be cut with a grass cutting blade.

- The 4-tooth grass cutting blade is intended to cut grass and weeds. It has 4 cutting knives with cutting edges on both sides, i.e., front and rear. When the cutting edges on one side become dull, the blade can be turned over to utilize the cutting edges on the other side before it is resharpened.
- The 8-tooth grass cutting blade is recommended for cutting fern or similar fleshy vegetation. When the cutting edges on one side become dull, the cutting edges have to be resharpened. The blade cannot be turned over to utilize the cutting edges on the other side.

## ⚠ WARNING

- Improper use of a grass cutting blade may cause it to crack, chip or shatter. Thrown blade fragments may seriously or fatally injure the operator or bystanders. To reduce the risk of injury:
  - Avoid contact with hard or solid foreign objects such as stones, glass, rocks or pieces of metal.
  - Inspect the grass cutting blade at regular, short intervals for signs of damage. Do not continue working with a damaged grass cutting blade.
  - Resharpen the grass cutting blade regularly as described on its packaging or instruction leaflet.
  - Never attempt to cut woody material with the grass cutting blade.

### 5.8.4 Using a Brush Knife



- ▶ When working with a brush knife, sweep the trimmer in a controlled manner, parallel to the ground in front of you. To reduce the risk of kickout, use the left side of the cutting blade.

A brush knife is suitable for applications ranging from cutting matted grass to clearing weeds, wild growth and scrub brush.

## **▲ WARNING**

- Improper use of a brush knife may cause it to crack, chip or shatter. Thrown blade fragments may seriously or fatally injure the operator or bystanders. To reduce the risk of injury:
  - Avoid contact with hard or solid foreign objects such as stones, glass, rocks or pieces of metal.
  - Inspect the brush knife at regular short intervals for signs of damage. Do not continue working with a damaged brush knife.
  - Resharpener the brush knife regularly as described on its packaging or instruction leaflet.
  - When cutting young saplings or other woody materials up to 0.8 in. (2 cm) in diameter, use the left side of the cutting knife to avoid "kickout" situations.
  - Never attempt to cut woody material with a larger diameter, since the brush knife may catch or jerk the unit forward.

## 6 Maintenance, Repair and Storage

### 6.1 Warnings and Instructions

## **▲ WARNING**

- There are no user-authorized repairs for the battery or power tool. To reduce the risk of fire, electric shock or other personal injury and property damage:
  - Users may carry out only the cleaning and maintenance operations described in this manual.
  - Strictly follow the cleaning and maintenance instructions in the appropriate sections of this instruction manual.
  - Never attempt to repair a damaged or broken cutting attachment. This may cause broken parts to come off and result in serious or fatal injuries.
  - Wear non-slip, heavy-duty work gloves when handling metal cutting attachments.

- STIHL recommends that all repair or replacement work be performed by authorized STIHL servicing dealers.

- Unintentional starting may result in personal injury or property damage. To reduce the risk of personal injury and property damage from unintentional starting:



- Remove the battery before inspecting the trimmer / brushcutter or carrying out any cleaning, maintenance or repair work, before storing, and any other time the power tool is not in use.

- Use of parts that are not authorized or approved by STIHL may cause serious or fatal injury or property damage.
  - STIHL recommends that only identical STIHL replacement parts be used.
- To reduce the risk of serious or fatal injuries from a loose or damaged cutting attachment:
  - Keep blades sharp.
  - Tighten all nuts, bolts and screws after each use.
  - Never repair damaged cutting attachments by welding, straightening or modifying the shape. Always replace a damaged cutting attachment before use.

- The gearbox becomes hot during operation. To reduce the risk of burn injury:



- Allow the gearbox to cool before inspecting or lubricating and before changing a cutting attachment or deflector. Avoid contacting the gearbox while it is still hot following operation.

- Improper storage can result in unauthorized use, damage to the power tool and an increased risk of fire, electric shock and other personal injury or property damage.

- Remove the battery from the power tool before storing.
- Never store the power tool or charger with the battery inserted.

- Store the trimmer / brushcutter and battery indoors in a dry, secure place that cannot be accessed by children or other unauthorized users.
- Never store the battery in the trimmer / brushcutter, in the charger, in a metal container or in a container with metal objects (e.g., paper clips, nails, coins, keys).
- Dropping the battery could result in personal injury or property damage. To prevent the battery from falling during removal:
  - Place the trimmer / brushcutter on a level surface.
  - Use care when ejecting the battery.

## 7 Battery Safety

### 7.1 Warnings and Instructions

#### WARNING

- Read and follow the safety precautions on the battery and all warnings and instructions that accompany it.

- Use of unauthorized batteries can damage the power tool and result in fire, explosion and personal injury and property damage.
  - Use only genuine STIHL AR or AP series batteries with this power tool.
- Use of STIHL AR or AP series batteries for any purpose other than powering STIHL products could be extremely dangerous.
  - Use STIHL AR and AP series batteries only to power compatible STIHL products.
- Use of unauthorized chargers can damage the battery and result in fire, explosion and personal injury and property damage.
  - Charge STIHL AP series batteries only with genuine STIHL AL 101, AL 300 or AL 500 series chargers.
  - Charge STIHL AR series backpack batteries only with genuine STIHL AL 300 or AL 500 series chargers.
- The battery contains safety features and devices which, if damaged, may allow the battery to generate heat, rupture, leak, ignite or explode.



- Never heat the battery above 212 °F (100 °C).
- Never incinerate or place the battery on or near fires, stoves or other high-temperature locations.
- Never use or charge a malfunctioning, damaged, cracked, leaking or deformed battery.
- Never open, disassemble, crush, drop, subject to heavy impact or otherwise damage the battery.
- Never expose the battery to microwaves or high pressures.
- Never insert objects into the battery's cooling slots.
- Extreme temperatures may cause the battery to generate heat, rupture, leak, ignite or explode, resulting in severe or fatal personal injury and property damage. Exposure to temperatures outside the recommended temperature range may also reduce battery life and performance.



- Use and store the battery only within an ambient temperature range of 14 °F to 122 °F (-10 °C to 50 °C).
- Never store the battery in direct sunlight or inside a vehicle in hot weather.

- To reduce the risk of personal injury and property damage in the event the battery emits smoke, an unusual smell or feels unusually hot while using, charging or storing:
  - Immediately discontinue using or charging the battery. Contact the authorities in the event of fire or explosion.
- To reduce the risk of a short circuit, which could lead to electric shock, fire and explosion:



- Keep STIHL AR 900, 1000, 2000, 3000 backpack batteries dry. Protect from rain, water and other liquids. Attach the rain cover to a STIHL AR 1000, 2000, 3000 battery before starting work in rain or in very damp conditions.



- If a STIHL AP or AR L battery has been exposed to rain during work, remove it from the product and allow it to dry indoors. Make sure it is completely dry before charging or using.
- Never immerse any STIHL battery in water or other liquids.

- Never bridge the battery terminals with wires or other metallic objects.
- Keep a battery that is not in use away from metal objects (e.g., paper clips, nails, coins, keys).
- Never transport or store the battery in a metal container.
- Store the battery indoors in a dry room.
- Never store the battery in damp or corrosive environments or in conditions that could lead to corrosion of its metal components.
- Protect the battery from exposure to corrosive agents such as garden chemicals and de-icing salts.







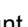




- Protect the battery from exposure to conductive liquids such as salt water.
  - Do not attempt to repair, open or disassemble the battery. There are no user-serviceable parts inside.
- Leaking battery fluid is potentially harmful and can cause skin and eye irritation, chemical burns and other serious personal injury.
    - Avoid contact with skin and eyes.
    - Use an inert absorbent such as sand on spilled battery fluid.
    - In the event of accidental contact, immediately rinse the contact area thoroughly with mild soap and water.
    - If fluid gets into your eye(s): do not rub. Rinse water over the open eye(s) for at least 15 minutes and seek medical attention.
  - A battery fire can be dangerous. To reduce the risk of severe personal injury and property damage in the event of fire:
    - Evacuate the area. Fire can spread rapidly. Stay clear of any vapors generated and maintain a safe distance.
    - Contact the fire department.
    - Although water can be used to put out a battery fire, use of a multi-purpose dry chemical fire extinguisher is preferable.
    - Consult the fire department regarding proper disposal of a burned battery.



## 8 Before Starting Work

### 8.1 Preparing the Trimmer / Brushcutter for Operation

Before starting work:

- ▶ Fully charge the battery,  9.
- ▶ Mount the loop handle,  12.1.
- ▶ Mount a deflector that is approved for use with the cutting attachment you intend to use,  12.3.1 and  25.
- ▶ Mount an approved mowing head, grass cutting blade or brush knife,  12.4.1 or  12.5.1 and  25.
- ▶ If using a metal cutting attachment, mount the barrier bar,  12.2.
- ▶ Put on and adjust the harness,  13.1.
- ▶ Adjust the loop handle,  13.2.
- ▶ Check the controls for proper function and condition,  16.

## 9 Charging the Battery

### 9.1 Setting up the Charger

#### WARNING

Read and follow the safety precautions on the battery and charger and all warnings and instructions that accompany those products. To reduce the risk of short circuit, which could lead to electric shock, fire and explosion, make sure the charger and its components are dry and not damaged; operate the charger indoors at an appropriate ambient temperature.

#### WARNING

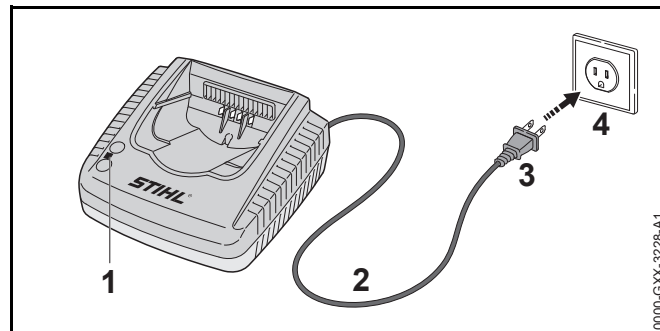
A typical household electric circuit is between 15 and 20 amps. A single STIHL AL 500 charger draws approximately 4.8 amps. A single AL 300 charger draws approximately 4.4 amps. To reduce the risk of fire from overloading an electrical circuit:

- ▶ Ensure the electrical system is rated to withstand the expected electrical draw before charging your battery.
- ▶ Charge multiple batteries one at a time or on separate circuits, unless you know your circuit can handle the total expected draw from multiple chargers.

#### WARNING

Since the charger heats up during the charging process, do not operate the charger on a combustible surface or in a location where combustible gases, liquids, vapors, dusts or other materials and substances are present.

To set up the charger:



- ▶ Insert the plug (3) into a properly installed electrical outlet (4) matching the voltage and electrical frequency stated on the rating plate on the charger.

The charger runs a self-test immediately after it is plugged in. The charger LED (1) will glow green for about 1 second, then it will glow red briefly before going out. Once the LED goes out, the self-test is complete and the charger is ready to charge the battery.

- ▶ Position the power supply cord (2) so that it will not be stepped on, tripped over, come in contact with sharp objects or moving parts or otherwise be subjected to damage or stress.

## 9.2 Charging

### **⚠ WARNING**

STIHL batteries contain safety features and devices which, if damaged, may allow the battery to generate heat, rupture, leak, ignite or explode. Never charge a malfunctioning, damaged, cracked, leaking or deformed battery, or use a charger that has been damaged. Never insert a wet battery or battery adapter. Never use a wet charger. Follow all product-specific warnings and instructions accompanying your battery and charger.

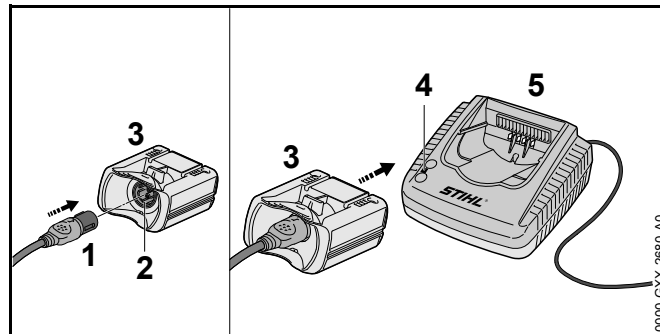
A battery is not fully charged when it ships from the factory. STIHL recommends that you fully charge the battery before using it the first time.

Operate the charger only indoors, in dry rooms and within an ambient temperature range of 41 °F to 104 °F (5 °C to 40 °C).

The battery heats up during operation of the power tool. If a hot battery is connected to the charger, it may be necessary for it to cool down before charging starts. The charging process begins only after the battery has cooled down sufficiently.

Charging time depends on a number of factors, including battery condition and the ambient temperature. For a complete list of approximate charging times, see [www.stihl.com/charging-times](http://www.stihl.com/charging-times).

### To charge an AR battery:



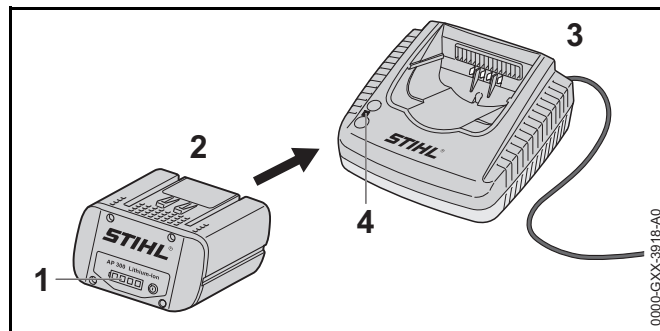
- ▶ Push the plug of the connecting cord (1) into the socket (2) of the AP Adapter (3) until it stops.
- ▶ Push the AP Adapter into the charger (5) until it stops. The LED on the **charger** (4) glows green when the battery is charging.

The LEDs on the **AR battery** glow green and show the state of charge.

When the LEDs on the battery turn off, the charging process is complete and the charger will shut itself off. The AP Adapter can be removed from the charger.

- ▶ Disconnect the power supply cord from the electrical outlet when the charger is not in use.
- ▶ Charge STIHL AR backpack batteries only with genuine STIHL AL 300 or AL 500 series chargers.

### To charge an AP battery:



- ▶ Push the battery (2) into the charger (3) until it stops. The LED on the **charger** glows green when the battery is charging.

The LEDs (1) on the **AP battery** glow green and show the state of charge.

When the LEDs on the battery go out, the charging process is complete and the charger will shut itself off. The AP battery can be removed from the charger.

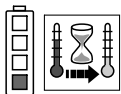
- ▶ Disconnect the power supply cord from the electrical outlet when the charger is not in use.
- ▶ Charge STIHL AP series batteries only with genuine STIHL AL 101, AL 300 or AL 500 series chargers.

## 10 LED Diagnostics and Acoustic Signals

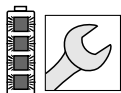
### 10.1 STIHL AP Battery

#### 10.1.1 Battery Status

Four LEDs show the status of the battery. These LEDs can glow or flash green or red.



**If one LED glows red continuously:** the battery is either too hot or too cold. Allow the battery to warm up or cool down gradually at an ambient temperature of about 50 °F to 68 °F (10 °C to 20 °C).



**If all 4 LEDs flash red:** the battery has a malfunction and must be replaced. Do not attempt to charge, use or store the battery.

#### 10.1.2 Power Tool Status

The same LEDs on the battery will indicate the status of the power tool.

**If three LEDs glow red continuously:** the power tool motor is too hot. Allow the motor to cool down.

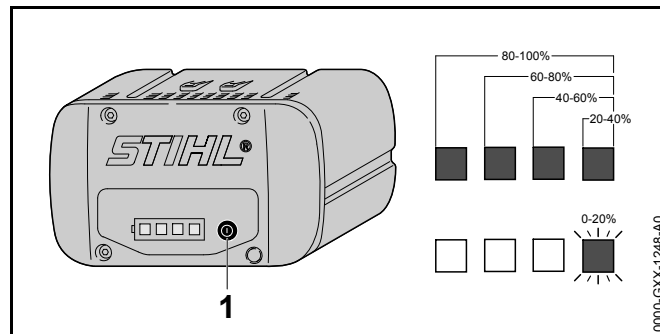
**If three LEDs flash red when you activate the trigger switch:** the power tool has an electrical malfunction. Do not operate the power tool. Have it checked by an authorized STIHL servicing dealer before use or storage.

For troubleshooting information, 23.

#### 10.1.3 Charge Status

The LEDs on the battery also show the battery's state of charge.

To determine the battery's state of charge:



- ▶ Press the button (1) on the battery. The LEDs on the battery will glow or flash green for about 5 seconds and indicate the state of charge (see illustration).

**For example:**

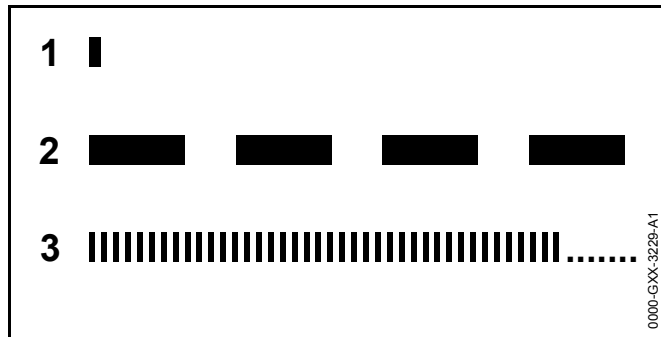
**If four green LEDs glow continuously:** full charge.

**If one green LED is flashing:** less than 20 % charge.

### 10.2 STIHL AR Backpack Battery

#### 10.2.1 Battery Status

Six LEDs and an acoustic signal indicate the status of the battery.



### 1 A short beep

The acoustic signal works as it should.

### 2 Four or six (AR L) long beeps

The battery's charge is low. Recharge the battery.

### 3 Rapid succession of short beeps

There is a malfunction in the battery. The signal stops automatically after a few seconds. Do not attempt to charge, use or store the battery. Replace the battery.

These LEDs can glow or flash green or red.



**If one LED glows red continuously:** the battery is either too hot or too cold. Allow the battery to warm up or cool down gradually at an ambient temperature of about 50 °F to 68 °F (10 °C to 20 °C).



**If the four right side LEDs flash red and a rapid succession of several short beeps is emitted:** the battery has a malfunction and must be replaced. Do not attempt to charge, use or store the battery.



- ▶ Be aware that your ability to hear the acoustic signal may be reduced when wearing hearing protection.

## 10.2.2 Power Tool Status

When the battery is connected to the power tool, the same LEDs on the battery will indicate the status of the power tool.

**If three LEDs glow red continuously:** the power tool motor is too hot. Allow the motor to cool down.

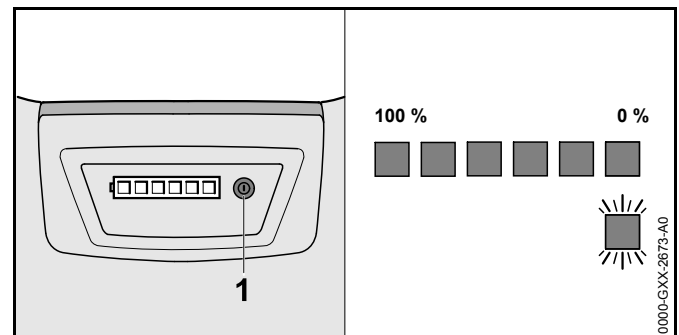
**If three LEDs flash red when you activate the trigger switch:** the power tool has an electrical malfunction. Do not operate the power tool. Have it checked by an authorized STIHL servicing dealer before use or storage.

For troubleshooting information, 23.

## 10.2.3 Charge Status

The LEDs and acoustic signals on the battery also indicate the battery's state of charge.

To determine the battery's state of charge:



- ▶ Press the button (1) on the backpack battery.

A single short beep will be emitted. The LEDs on the battery will glow or flash green for about 5 seconds and indicate the state of charge (see illustration).

**For example:**

**If six green LEDs glow continuously:** full charge.

**If one green LED is flashing and four long beeps are emitted:** less than 20 % charge.

## 11 STIHL AR Backpack Battery

### 11.1 Positioning the Connecting Cord

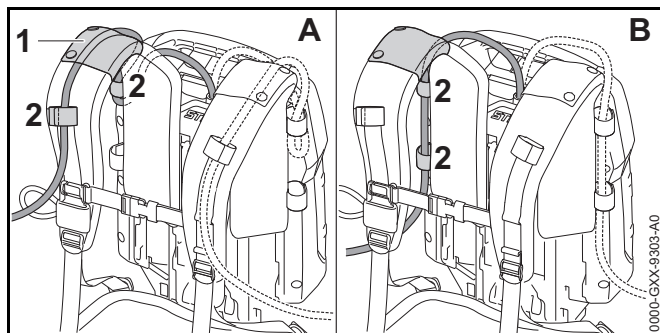
#### **⚠ WARNING**

To reduce the risk of injury from tripping on the connecting cord or losing control of the power tool, always secure the connecting cord with the hook and eye fasteners as described below. Always position and secure the connecting cord so that it will not interfere with the proper working technique as described in the instruction manual for the power tool you are using, or your ability to maintain control of the power tool.

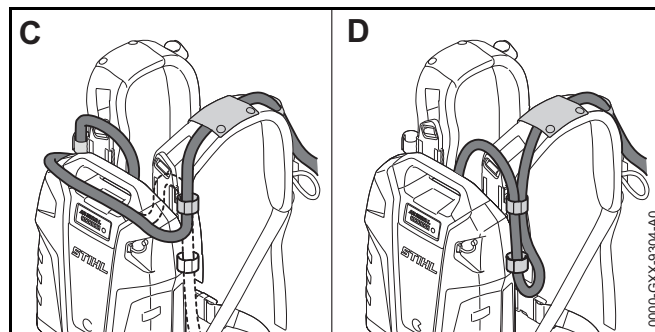
#### **⚠ WARNING**

Manage the cord to prevent it from contacting the cutting/working attachment or catching on objects, which could cause you to lose balance or control of the power tool, resulting in serious personal injury and property damage.

The connecting cord can be secured in different positions and adjusted to suit the height and reach of the operator.



The connecting cord can run through the guide (1) on the shoulder strap (Illustration A), or along the back plate (Illustration B). Secure the connecting cord to the harness with the hook and eye fasteners (2). Always secure the connecting cord using the guide or hook and eye fasteners on the side of the body on which the power tool is held and controlled. Do not allow the connecting cord to swing across your body or hang at your side.



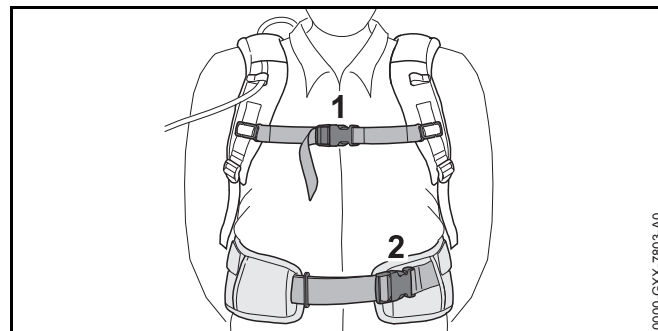
The length of the connecting cord can be adjusted by making a loop around the top (Illustration C) or on the side (Illustration D) of the backpack battery with the hook and eye fasteners.

### 11.2 Putting on the Harness

#### **⚠ WARNING**

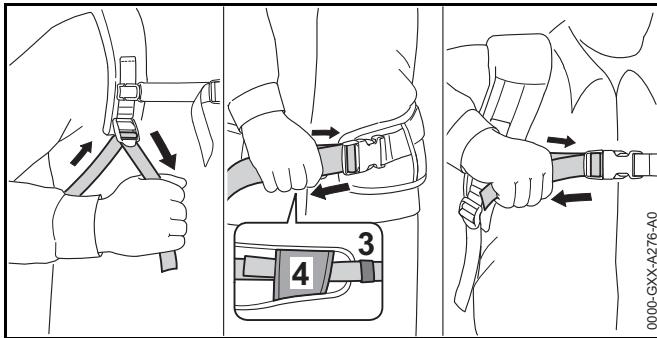
The operator must be able to remove the backpack battery quickly in the event of an emergency. In an emergency, open and remove the waist belt and chest strap quickly before dropping the battery to the ground.

To ensure a proper fit:



- ▶ Put the backpack battery on your back.
- ▶ Fasten and adjust the waist belt (2) so that it rests comfortably but securely on your hips.

- ▶ Fasten the chest strap (1) and adjust it so that it fits comfortably but securely across your chest.



- ▶ Adjust the harness straps so that the back padding fits snugly and securely against your back.
- ▶ Always wear the battery harness over both shoulders.
- ▶ Thread the end of the waist belt through the loops (3) and (4).
- ▶ To remove the harness, open the quick-release fasteners on the waist belt and chest strap and loosen the harness straps by lifting the sliding adjusters.

To help reduce the risk of injury in the event of an emergency, practice quickly opening the fasteners on the waist belt and chest strap, loosening the shoulder straps and removing the battery.

### NOTICE

To avoid damage, ease the battery to the ground when practicing. Do not allow the battery to drop to the ground and do not throw it.

## 12 Assembling the Trimmer / Brushcutter

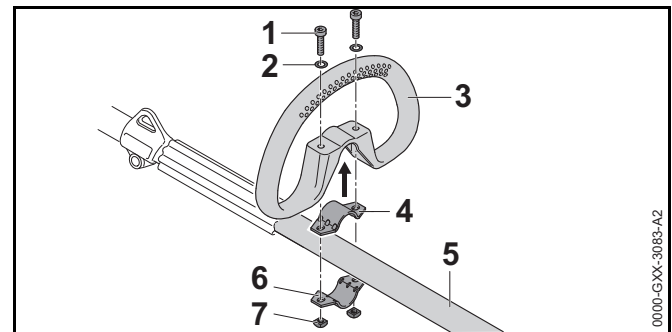
### 12.1 Mounting the Loop Handle

#### ⚠ WARNING

To reduce the risk of injury from loss of control, ensure that the loop handle is properly and securely mounted before starting work.

To mount the loop handle:

- ▶ Switch off the power tool, 15.2.
- ▶ Remove the battery, 14.2.





- ▶ Position one clamp (4) in the loop handle (3).
- ▶ Position the other clamp (6) against the underside of the drive tube (5) and line up the holes in the loop handle and clamps.
- ▶ Put washers (2) on the screws (1) and insert the screws through the holes in the loop handle and clamps.
- ▶ Attach the square nuts (7) and tighten securely. Ensure that the handle is tight and will not move during operation.

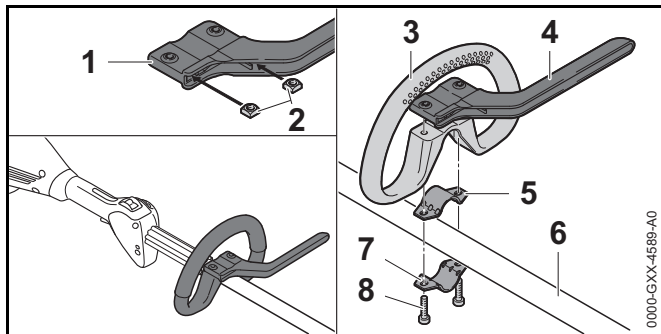
## 12.2 Mounting the Barrier Bar

### **⚠ WARNING**

To reduce the risk of serious personal injury from loss of control or contact with the cutting attachment, use a metal grass blade or brush knife only if the unit is equipped with a loop handle, barrier bar and harness.

To mount the barrier bar:

- ▶ Switch off the power tool,  15.2.
- ▶ Remove the battery,  14.2.



- ▶ Insert the square nuts (2) in the barrier bar (1) and line up the holes.
- ▶ Position one clamp (5) in the loop handle (3).
- ▶ Position the other clamp (7) against the drive tube and line up the holes in the loop handle and clamps.
- ▶ Place the barrier bar (4) in position over the holes in the loop handle.
- ▶ Insert the screws (8) and tighten them down securely. Ensure that the handle and barrier bar are tight and will not move during operation.


## 12.3 Mounting and Removing a Deflector

### 12.3.1 Mounting a Deflector



#### **⚠ WARNING**

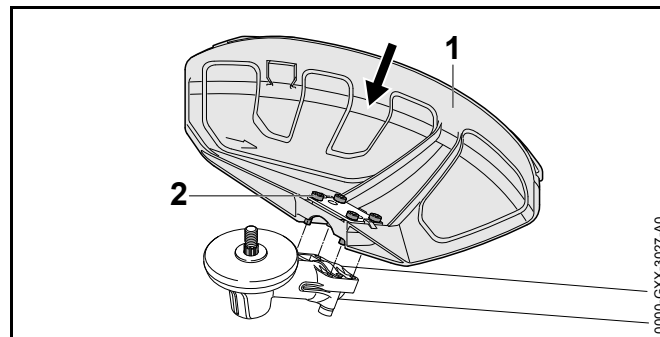
To reduce the risk of injury from thrown objects or contact with the cutting attachment, never operate the trimmer / brushcutter without a properly mounted deflector. Keep bystanders at least 50 ft. (15 m) away. When using a deflector designed for use with a metal cutting blade, you must change the deflector or add a skirt before mounting a mowing head.

#### **⚠ WARNING**

The cutting attachment and deflector must be an approved combination. Use only an approved combination of cutting attachment and deflector to maximize cutting performance and reduce the risk of serious personal injury from thrown objects or contact with the cutting attachment,  25.

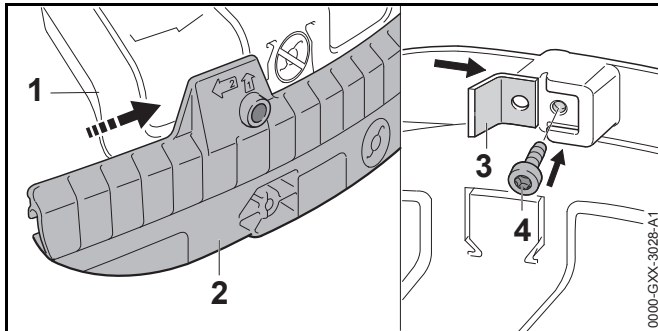
All deflectors are mounted to the gearbox in the same way. To mount a deflector:

- ▶ Switch off the power tool,  15.2.
- ▶ Remove the battery,  14.2.



- ▶ Push the deflector (1) into the guides on the gearbox until it stops. The deflector must be tight against the gearbox.
- ▶ Insert and tighten the screws (2). Ensure that the deflector is tight and will not move during operation.

To mount the skirt and line limiting blade:

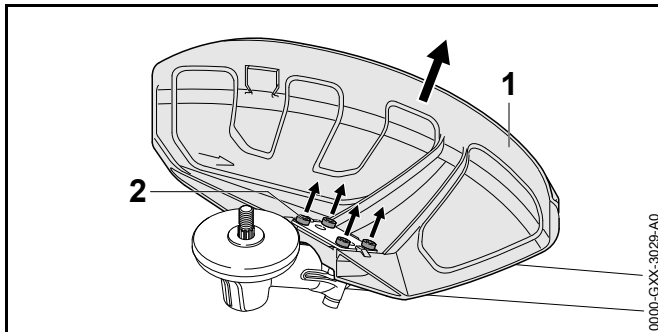


- ▶ Insert the guide ridge on the bottom of the deflector (1) into the groove on the skirt (2).
- ▶ Slide the skirt until it covers the entire bottom of the deflector and clicks into place. When the skirt is properly installed, it will cover the pictogram embossed on the deflector indicating that use with mowing heads is prohibited.
- ▶ Push the line limiting blade (3) into the guide groove of the skirt.
- ▶ Insert and tighten the screw (4) until the line limiting blade is securely in place.

### 12.3.2 Removing a Deflector

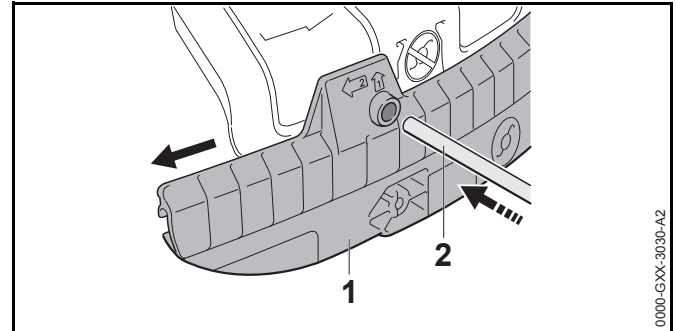
To remove a deflector:

- ▶ Switch off the power tool, 15.2.
- ▶ Remove the battery, 14.2.



- ▶ Remove the screws (2).
- ▶ Remove the deflector (1).

To remove the skirt from the deflector:



- ▶ Insert the stop pin (2) in the hole in the skirt.
- ▶ Slide the skirt (1) off the guide ridge at the bottom of the deflector.

## 12.4 Mounting and Removing a Mowing Head

### 12.4.1 Mounting a Mowing Head

#### WARNING

Use of wire or metal-reinforced line is not authorized and could be extremely dangerous. Use only the cutting attachments recommended in this manual, in combination with the recommended deflector, 5.7.4.



#### WARNING

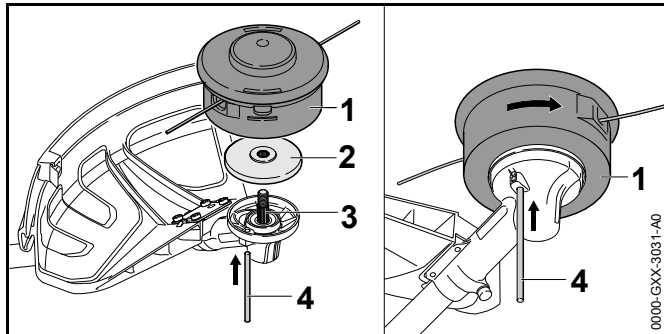
A damaged or loose cutting attachment or mowing head may vibrate, crack, break or come off the trimmer / brushcutter, which may result in serious or fatal injury or property damage. Make sure the mowing head and cutting attachment are properly tightened and in good condition before starting work, 5.7.4.



### Mowing heads other than FixCut 31-2

To mount a mowing head:



- ▶ Switch off the power tool,  15.2.
- ▶ Remove the battery,  14.2.

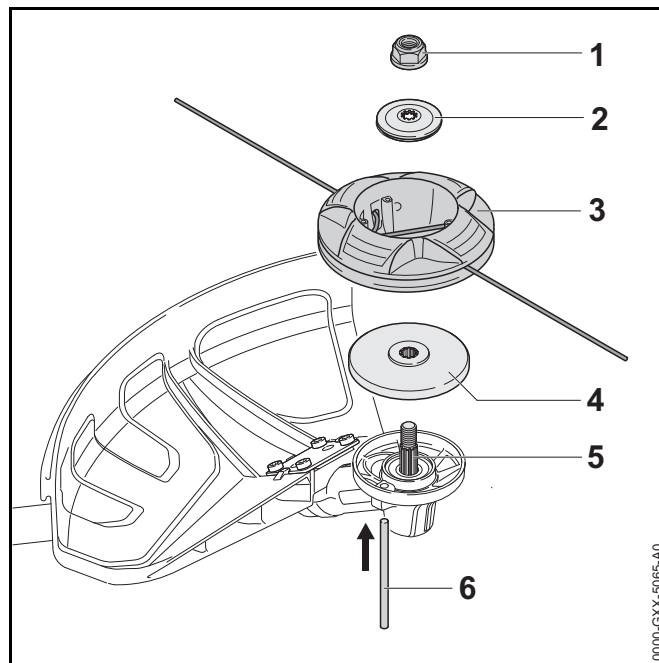


- ▶ Position the unit so that you are facing the underside of the deflector and the drive shaft is pointed upwards.
- ▶ Slip the thrust plate (2) onto the drive shaft (3), keeping the side of the thrust plate with the smaller diameter facing upwards toward the mowing head (1).
- ▶ Insert the stop pin (4) in the hole in the gearbox and rotate the drive shaft until the stop pin slips into position and blocks the rotation of the drive shaft.
- ▶ By hand, screw the mowing head counterclockwise onto the drive shaft while keeping the stop pin inserted. The drive shaft must be blocked with the stop pin to mount or remove a cutting attachment.
- ▶ Continue screwing down the mowing head until it is properly and securely attached.
- ▶ Remove the stop pin from the hole in the gearbox.

### FixCut 31-2 Mowing Head

To mount the FixCut 31-2 mowing head:

- ▶ Switch off the power tool,  15.2.
- ▶ Remove the battery,  14.2.



- ▶ Position the unit so that you are facing the underside of the deflector and the drive shaft is pointed upwards.
- ▶ Slip the thrust plate (4) onto the drive shaft (5), keeping the side of the thrust plate with the smaller diameter facing upwards toward the FixCut 31-2 mowing head (3).
- ▶ Insert the stop pin (6) in the hole in the gearbox and rotate the drive shaft until the stop pin slips into position and blocks the rotation of the drive shaft.
- ▶ Place the mowing head directly on top of the thrust plate, so that the collar of the thrust plate (4) engages with the mowing head's mounting hole.
- ▶ Slip the thrust washer (2) onto the drive shaft. Keep the arched side facing up and the flat side facing towards the FixCut 31-2 mowing head.
- ▶ Screw on the nut (1) counterclockwise and tighten it down until the mowing head is properly and securely attached.
- ▶ Remove the stop pin from the hole in the gearbox.

**NOTICE**



Using the trimmer with overly long trimmer line increases the load on the motor and reduces its operating speed. This may result in overheating and damage to important components.

**NOTICE**

After mounting or removing the cutting attachment, always remove the stop pin used to block the drive shaft.



**12.4.2 Removing a Mowing Head****Mowing heads other than FixCut 31-2**

To remove a mowing head:


- ▶ Switch off the power tool,  15.2.
- ▶ Remove the battery,  14.2.
- ▶ Block the rotation of the drive shaft with the stop pin.
- ▶ Position the unit so that you are facing the underside of the deflector and the drive shaft is facing upwards.
- ▶ Unscrew the mowing head by turning it clockwise.
- ▶ Remove the thrust plate.
- ▶ Remove the stop pin from the hole in the gearbox.

**FixCut 31-2 Mowing Head**


To remove the FixCut 31-2 mowing head:

- ▶ Switch off the power tool,  15.2.
- ▶ Remove the battery,  14.2.
- ▶ Block the rotation of the drive shaft with the stop pin.
- ▶ Position the unit so that you are facing the underside of the deflector and the drive shaft is facing upwards.
- ▶ Unscrew the nut by turning it clockwise.
- ▶ Remove the thrust washer.
- ▶ Remove the mowing head.
- ▶ Remove the thrust plate.
- ▶ Remove the stop pin from the hole in the gearbox.



**12.5 Mounting and Removing a Metal Cutting Attachment****12.5.1 Mounting a Metal Cutting Attachment**** WARNING**

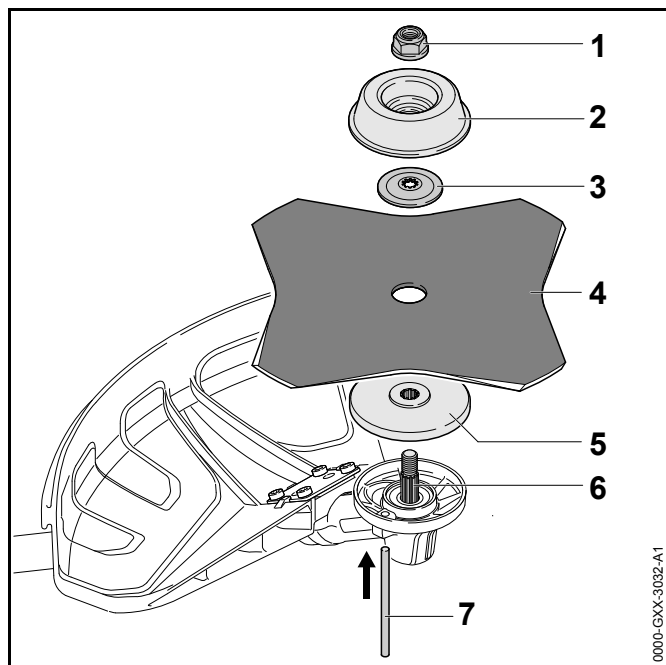
Grass blades and brush knives have many sharp cutting edges. If they contact your flesh, they will cut you, even if the metal cutting attachment is not moving. Always wear heavy-duty work gloves when mounting or otherwise handling a metal cutting attachment,  5.5.

** WARNING**

A metal cutting attachment that is damaged or loose may vibrate, crack, break or come off the unit, which may result in serious or fatal injury or property damage. Make sure the metal cutting attachment is properly tightened and in good condition before starting work,  5.7.4.

To mount a metal cutting attachment:

- ▶ Switch off the power tool,  15.2.
- ▶ Remove the battery,  14.2.



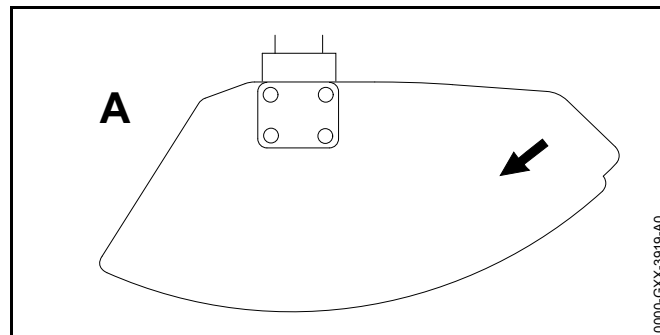
- ▶ Position the unit so that you are facing the underside of the deflector and the drive shaft is pointed upwards.
- ▶ Slip the thrust plate (5) onto the drive shaft (6). Keep the side of the thrust plate with the smaller diameter facing upwards.
- ▶ Place the cutting attachment (4) directly on top of the thrust plate. Ensure that the cutting attachment is positioned to rotate in the direction indicated on the deflector.
- ▶ Slip the thrust washer (3) onto the drive shaft. Keep the arched side facing up and the flat side facing towards the metal cutting attachment.
- ▶ Slip the rider plate (2) onto the drive shaft.
- ▶ Insert the stop pin (7) in the hole in the gearbox and rotate the cutting attachment until the stop pin slips into position and blocks the rotation of the drive shaft.

- ▶ Screw on the nut (1) counterclockwise and tighten it down until the cutting attachment is properly and securely attached.

- ▶ Remove the stop pin from the hole in the gearbox.

Cutting attachments with more than 4 cutting edges must be mounted with the cutting edges pointing in the direction of rotation. Otherwise, the cutting attachment will not cut. The direction of rotation is indicated by an arrow on the underside of the deflector.

#### NOTICE



Arrows on the deflector (A) (as seen from the underside) show the correct direction of rotation of the cutting attachment. When viewed from above, however, the cutting attachment rotates counterclockwise.

#### NOTICE

After mounting or removing the cutting attachment, always remove the stop pin used to block rotation of the drive shaft.

### 12.5.2 Removing a Metal Cutting Attachment

To remove a metal cutting attachment:

- ▶ Switch off the power tool, 15.2.
- ▶ Remove the battery, 14.2.
- ▶ Position the unit so that you are facing the underside of the deflector and the drive shaft is pointed upwards.
- ▶ Block the rotation of the drive shaft with the stop pin.
- ▶ Unscrew the nut by turning it clockwise.

- ▶ Remove the rider plate, thrust washer, metal cutting attachment and thrust plate.
- ▶ Remove the stop pin from the hole in the gearbox.


**NOTICE**

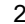
After mounting or removing the cutting attachment, always remove the stop pin used to block the rotation of the drive shaft.

## 13 Adjusting the Trimmer / Brushcutter



### 13.1 Putting on and Adjusting the Shoulder Strap or Full Harness

#### **⚠ WARNING**



To reduce the risk of injury from loss of control and contact with the cutting attachment, always wear a proper harness when working with a metal cutting attachment,  25.

Other approved harnesses are listed in this instruction manual,  25.

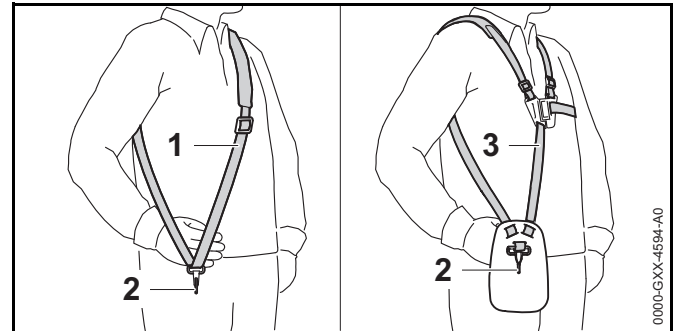
To put on the shoulder strap:

- ▶ Switch off the power tool,  15.2.
- ▶ Remove the battery,  14.2.
- ▶ Put the harness over your left shoulder if you are holding the rear handle with your right hand. Put it over your right shoulder if you are holding the rear handle with your left hand.
- ▶ When a metal cutting attachment is mounted, you must install the barrier bar, wear a proper harness and always grip the rear handle with your right hand and front handle with your left hand. That means you must place the single harness over your left shoulder when working with a metal cutting attachment.

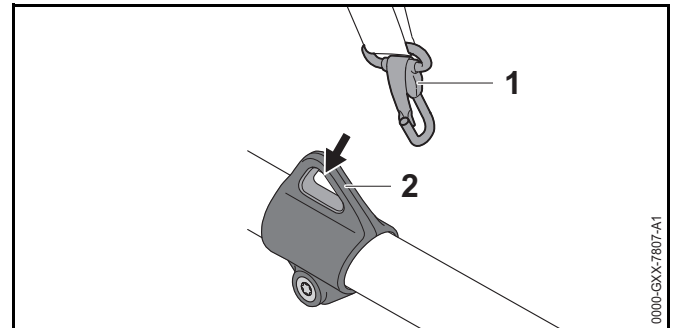
To put on the full harness:

- ▶ Switch off the power tool,  15.2.
- ▶ Remove the battery,  14.2.
- ▶ Put on the full harness over both shoulders.

To adjust the harness:



- ▶ Adjust the length of the harness strap (1) or full harness (3) so that the carabiner (2) is about a hand's width below the top of your hip.





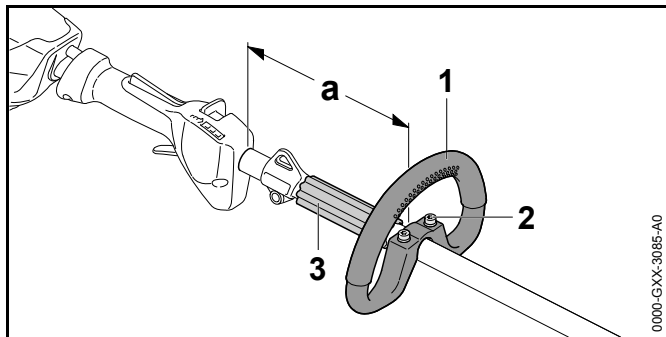
- ▶ Attach the carabiner (1) to the carrying ring (2) on the trimmer / brushcutter.

### 13.2 Adjusting the Loop Handle

The loop handle can be mounted to suit the height and reach of the operator.

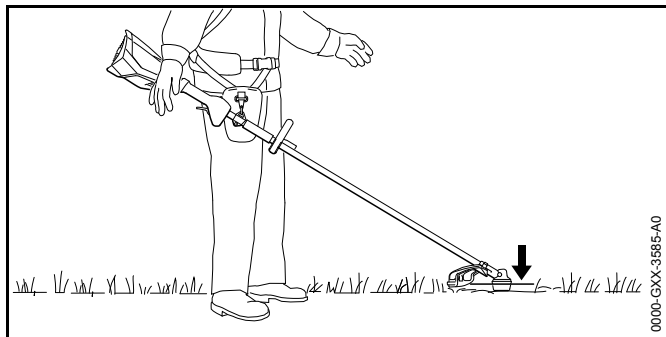
To adjust the position of the loop handle:

- ▶ Switch off the power tool,  15.2.
- ▶ Remove the battery,  14.2.



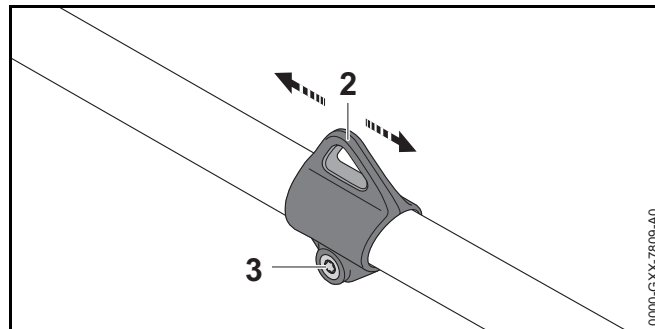
- ▶ Loosen the screws (2) that attach the loop handle to the trimmer shaft.
- ▶ Slide the loop handle (1) to the desired position, subject to the following limitations:
  - Always keep the spacer (3) positioned between the loop handle and carrier ring.
  - If you are working with a mowing head, the distance marked "a" must be less than 11.8 in. (30 cm).
  - If you are working with a metal cutting attachment, a barrier bar must be installed and the distance marked "a" must be less than 9.8 in. (25 cm).
- ▶ Tighten the screws until the loop handle is secure and can no longer be moved along the drive tube.

### 13.3 Balancing the Trimmer / Brushcutter



- ▶ Let the trimmer / brushcutter sway on the harness until it stops moving.

The mowing head or the metal cutting attachment should come to rest gently on the ground or just above the ground.





If the mowing head or the metal cutting attachment will not rest gently on or just above the ground:

- ▶ Loosen the screw (3) on the carrying ring.
- ▶ Slide the carrying ring (2) along the drive tube and re-tighten the screw.
- ▶ Allow the trimmer / brushcutter to hang freely again. Repeat and re-adjust as necessary to achieve the proper balance.
- ▶ Once the cutting attachment is properly positioned for work, tighten the screw and ensure that the carrying ring is secure.


## 14 Inserting and Removing the Battery

### 14.1 Inserting the Battery

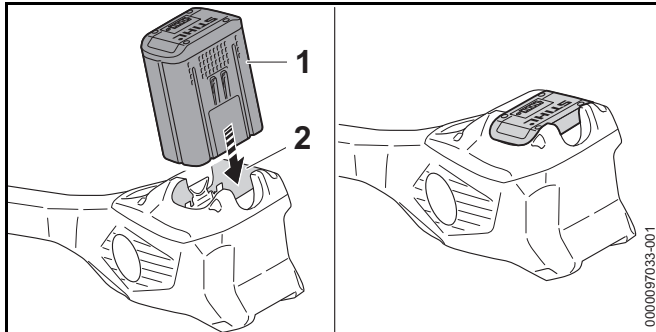
#### ⚠ WARNING

Never use a malfunctioning, damaged, cracked, leaking or deformed battery,  7. Use and store the battery only within an ambient temperature range of 14 °F to 122 °F (- 10 °C to 50 °C),  7.


#### ⚠ WARNING

To reduce the risk of unintended activation, never store the battery in the trimmer / brushcutter,  20.2.

To insert the battery:



- ▶ Place the trimmer / brushcutter on a level surface.
- ▶ Insert the battery (1) into the battery compartment (2) until it stops.  
The battery is properly inserted when you hear an audible click and the battery is flush with the top of the housing. In this position, there is electrical contact between the battery and the trimmer / brushcutter.

Since a new battery is not fully charged, STIHL recommends that you fully charge the battery before using it the first time,  9.

## 14.2 Removing the Battery

### WARNING

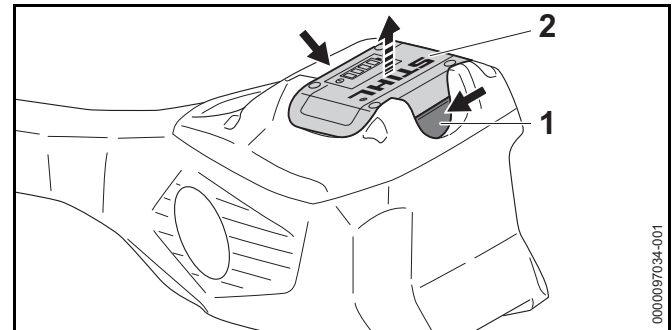
To reduce the risk of severe personal injury from unintended activation, always remove the battery before assembling, transporting, adjusting, cleaning, servicing, maintaining or storing the trimmer / brushcutter and any other time it is not in use.

### WARNING

Use care when ejecting the battery to prevent it from falling and causing personal injury or property damage.

To remove the battery:

- ▶ Release the trigger switch.
- ▶ Place the trimmer / brushcutter on a level surface.
- ▶ Position your hand behind the battery.



- ▶ Compress the locking levers (1) to eject the battery (2) from the battery compartment.



### NOTICE

Avoid exposing the battery to excessive heat or prolonged periods of direct sunlight. Use or storage outside the recommended ambient temperature range can reduce the performance and/or service life of the battery.


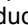
## 15 Switching the Trimmer / Brushcutter On and Off


### 15.1 Switching On

#### WARNING

To reduce the risk of serious or fatal injuries to the operator or bystanders, keep hands, feet and other parts of the body away from the cutting attachment,  5.7.2. Do not touch the cutting attachment while the battery is inserted. Never touch the moving cutting attachment with your hand or any part of your body,  5.7.4.

#### WARNING

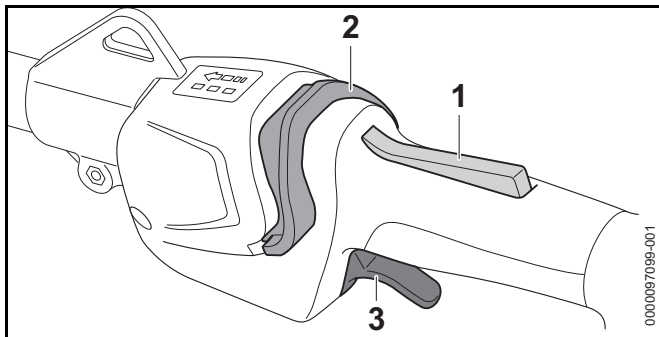
Never operate your trimmer / brushcutter if it is damaged, improperly adjusted or maintained, not completely and securely assembled or not functioning properly,  5.6. To reduce the risk of personal injury, always wear proper clothing and protective apparel, including proper eye protection,  5.5. To reduce the risk of serious or fatal

injury from loss of control, always hold the trimmer / brushcutter with both hands when you are working,  5.7.2.

Before switching on:

- ▶ Make sure you have a secure and firm footing.
- ▶ Stand upright.
- ▶ Always hold and operate the trimmer / brushcutter with two hands, one hand firmly on the rear handle and the other hand firmly on the loop handle.
- ▶ When operating the trimmer / brushcutter with a metal cutting attachment, always grip the rear handle with your right hand and the front handle with your left hand. This applies to all operators, even those who are left-handed.

To switch the trimmer / brushcutter on:



- ▶ Depress and hold the trigger switch lockout (1).
- ▶ While holding the trigger switch lockout, push the retaining latch (2) forward with your thumb and release it. The LEDs indicate the current power level.
- ▶ Squeeze the trigger switch (3) with your index finger. The cutting attachment will start moving.

The motor will not switch on unless the trigger switch lockout is depressed, the retaining latch has been pushed forward and the trigger switch has been pressed.

The further the trigger switch is squeezed, the faster the cutting attachment will rotate.

If the trigger switch and the trigger switch lockout are released, the LEDs will remain flashing for approximately 5 seconds. As long as the LEDs are flashing, the trimmer / brushcutter can again be switched on without pushing the retaining latch forward.

## 15.2 Switching Off

### WARNING

The cutting attachment will continue to move for a short while after the trigger switch is released. To avoid serious or fatal injury, avoid contact with the moving cutting attachment. To reduce the risk of personal injury from unintended activation or unauthorized use, switch off the motor, ensure the cutting attachment has stopped and remove the battery before transporting the unit or putting it down.

To switch the trimmer / brushcutter off:

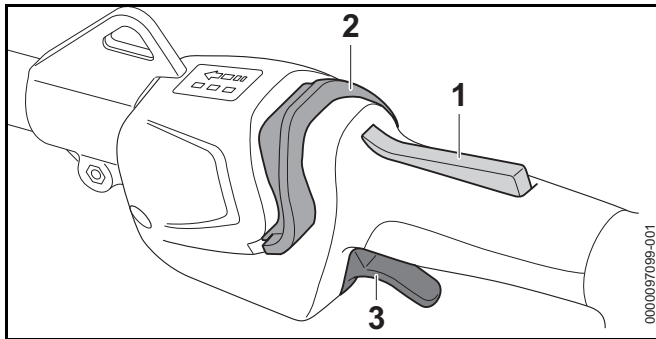
- ▶ Release the trigger switch and trigger switch lockout so that the trigger switch springs back to the locked position. In the locked position, activation of the trigger switch is blocked by the trigger switch lockout. Activation of the trimmer / brushcutter is also electronically blocked by the retaining latch once the LEDs stop flashing (after approximately 5 seconds).

The cutting attachment will continue to move for a short time after the trigger switch is released. Take care to avoid contact after releasing the trigger switch and when setting down the trimmer / brushcutter.

## 16 Checking the Power Tool


### 16.1 Testing the Controls

Before starting work, confirm that the trigger switch lockout (1), retaining latch (2) and trigger switch (3) are undamaged and functioning properly:



Trigger Switch Lockout (1), Retaining Latch (2) and Trigger Switch (3)

### **⚠ WARNING**

To reduce the risk of serious or fatal injuries, keep hands, feet and other parts of the body away from the cutting attachment. Do not touch the cutting attachment while the battery is inserted. Never touch the moving cutting attachment with your hand or any part of your body,  5.7.2. Keep bystanders at least 50 ft. (15 m) away while testing the controls.

To test the controls:

- ▶ Remove the battery.
- ▶ Attempt to depress the trigger switch. If the trigger switch can be depressed without first depressing the trigger switch lockout, take the trimmer / brushcutter to an authorized STIHL servicing dealer to be repaired before use.
- ▶ Press down on the trigger switch lockout and push the retaining latch forward. Make sure they move freely and spring back into place when released.
- ▶ Insert the battery.

- ▶ Hold the power tool firmly with both hands, your fingers wrapped tightly around the handles. Depress and hold the trigger switch lockout, push the retaining latch forward with your thumb and squeeze the trigger switch with your index finger. The trimmer / brushcutter should switch on. If it does not, take the trimmer / brushcutter to an authorized STIHL servicing dealer to be repaired before use.
- ▶ Release the trigger switch. The trimmer / brushcutter should switch off.

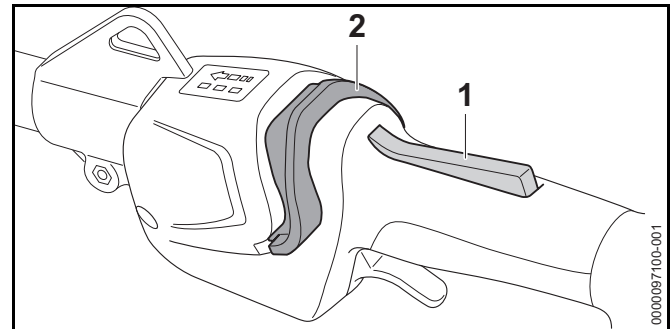
If the trimmer / brushcutter does not switch off after you release the trigger switch, remove the battery and take the trimmer / brushcutter to an authorized STIHL servicing dealer to be repaired before use.

## 17 During Operation

### 17.1 Selecting the Power Level

The unit can be operated at three different power settings, indicated by LEDs on the control handle. The higher the power level, the faster the cutting attachment will rotate.

To set the power level:



- ▶ Depress and hold the trigger switch lockout (1).
- ▶ While holding the trigger switch lockout, push the retaining latch (2) forward with your thumb and release it. The LEDs indicate the current power level.





- ▶ Push the retaining latch forward to activate the next power level.  
Performing this operation at the highest power level will cause the unit to return to the first power level.




Generally, battery life will be shorter when operating continuously at the higher power levels.

## 17.2 Using the Trimmer / Brushcutter

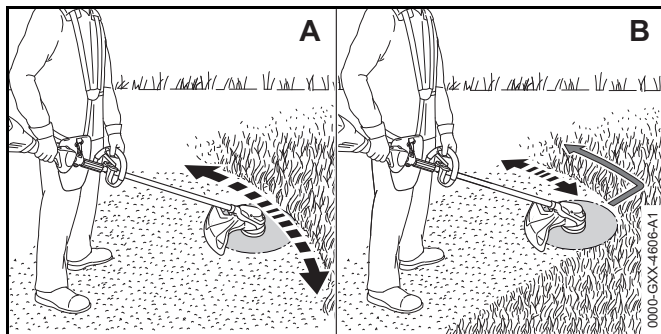
### **⚠ WARNING**

To reduce the risk of serious or fatal injuries to the operator or bystanders, keep hands, feet and other parts of the body away from the cutting attachment,  5.7.2. Do not touch the cutting attachment while the battery is inserted into the trimmer / brushcutter. Never touch the moving cutting attachment with your hand or any part of your body,  5.7.4.

### **⚠ WARNING**

Always wear proper clothing and protective apparel, including proper eye protection, when operating your trimmer,  5.5. Keep bystanders at least 50 ft. (15 m) away from the work area,  5.7.4. Work carefully and maintain proper control of the trimmer,  5.7.2.

The trimmer / brushcutter is designed for two-handed operation.



- ▶ When working with a mowing head, swing the unit back and forth carefully in a controlled manner parallel to the ground, as depicted in Illustration A, above.

- ▶ When working with a grass cutting blade or brush knife, sweep the unit in a controlled pattern parallel to the ground as depicted in Illustration B, above.
- ▶ Move forward slowly, keeping two hands on the unit at all times.

Observe all applicable laws, regulations, standards and ordinances.

## 17.3 Adjusting the Nylon Line

### **⚠ WARNING**

To reduce the risk of personal injury from unintended activation, always switch off the motor and remove the battery from the trimmer before manually adding or adjusting the nylon line.

### AutoCut Mowing Heads

- ▶ While the cutting attachment is rotating, tap the rotating mowing head on the ground.

Approximately 1.2 in. (30 mm) of fresh nylon line will be advanced with each tap. The line limiting blade in the deflector trims the mowing line to the proper length.

The bump feed mechanism will not advance additional line if the mowing line is shorter than 0.1 in. (25 mm). To feed additional line manually:

- ▶ Switch off the power tool and remove the battery.
- ▶ Depress and hold the button on the mowing head.
- ▶ Pull out the mowing line by hand.
- ▶ If the mowing line cannot be pulled out to the required length, install a new spool of line.

### SuperCut Mowing Heads

Fresh nylon line will be advanced automatically without tapping on ground. The line limiting blade in the deflector trims the mowing line to the proper length.

The automatic feed mechanism will not advance additional line if the mowing line is shorter than 0.1 in. (25 mm). To feed additional line manually:

- ▶ Switch off the power tool and remove the battery.
- ▶ Depress and hold the button on the mowing head.
- ▶ Pull out the mowing line by hand.
- ▶ If the mowing line cannot be pulled out to the required length, install a new spool of line.

STIHL recommends keeping nylon line in a water bath for at least 12 to 24 hours before use to increase its useful life.



## 18 After Finishing Work

### 18.1 Preparing for Transportation or Storage

#### **!** WARNING

To reduce the risk of personal injury from unintended activation or unauthorized use, switch off the motor, ensure the cutting attachment has stopped and remove the battery before transporting the trimmer or putting it down.

To prepare the trimmer for transportation or storage:

- ▶ Switch off the trimmer,  15.2.
- ▶ Remove the battery,  14.2.
- ▶ If the trimmer or battery became wet during operation, allow it to dry completely before charging or storing.



## 19 Transporting the Trimmer / Brushcutter and Battery

### 19.1 Trimmer / Brushcutter

#### **!** WARNING

To reduce the risk of personal injury from unintended activation, never transport the trimmer / brushcutter with the battery inserted.

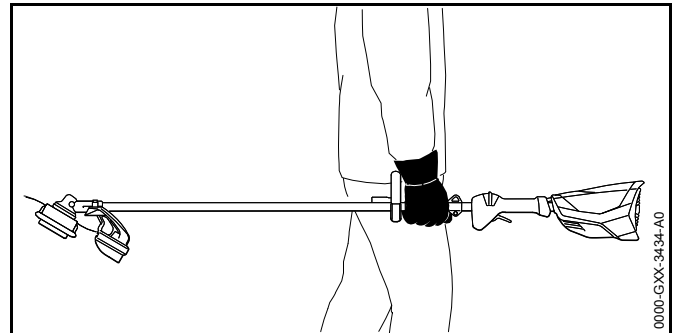
#### **!** WARNING

To reduce the risk of injury from loss of control and blade or line contact, never carry or transport your trimmer / brushcutter with the cutting attachment moving,  5.7.4. Ensure the cutting attachment has stopped before setting the power tool down,  5.7.4.

#### **!** WARNING

If a metal cutting attachment is mounted, STIHL recommends attaching an appropriate transport guard (special accessory) to help reduce the risk of cut injuries from inadvertent contact. Remove the transport guard before starting work.


When transporting the trimmer / brushcutter:



- ▶ When transporting the trimmer / brushcutter by hand, hold the drive tube so that the unit remains parallel to the ground. Keep the cutting attachment pointing backwards, opposite the direction in which you are walking.
- ▶ When transporting the trimmer / brushcutter in a vehicle, secure and position it to prevent turnover, impact and damage.

## 19.2 Battery

### WARNING

To reduce the risk of a short circuit, which could lead to electric shock, fire and explosion, never transport the battery in a metal container or near metal objects (e.g., paper clips, nails, coins, keys),  7.

When transporting the battery:

- ▶ Place the battery in a non-metal container or carton and secure it against impact or damage. Never transport the battery in a metal or other container that is capable of conducting electricity, or near metal objects (e.g., paper clips, nails, coins, keys).
- ▶ If you are transporting the battery in a vehicle, secure it and its container to prevent turnover, impact and damage.

STIHL batteries comply with the requirements set forth in UN-Manual ST/SG/AC.10/11/Rev.5/Part III, Subsection 38.3.

Commercial air, vessel and ground transportation of lithium ion cells and batteries is regulated. The battery is classified as a UN 3480, Class 9, packaging group II product. Shipping it, either as a complete tool or the battery, requires compliance with all applicable shipping regulations. Check with the ground, vessel, air cargo or passenger airline to determine if transport is prohibited or subject to restrictions or exemptions prior to shipping or travel.



Normally, no further conditions have to be met by the user in order to transport STIHL batteries by road to the power tool's operating site. Check and comply with any special regulations that may apply to your situation.

For further information please go to [www.stihlusa.com/battery-transportation-safety](http://www.stihlusa.com/battery-transportation-safety).

## 20 Storing the Trimmer / Brushcutter and Battery

### 20.1 Trimmer / Brushcutter


#### WARNING

Store the trimmer / brushcutter indoors in a dry, secure place that is inaccessible to children and other unauthorized users,  6. Improper storage can result in unauthorized use and damage to the trimmer / brushcutter,  6.

#### WARNING



To reduce the risk of unintended activation, never store the trimmer with the battery inserted. Always remove the battery before storing.

When storing the trimmer / brushcutter:



- ▶ Remove, clean and inspect the cutting attachment. Coat metal cutting attachments with corrosion inhibitor.
- ▶ Clean the trimmer / brushcutter,  21.
- ▶ Store the trimmer / brushcutter indoors in a dry and secure location, out of the reach of children and other unauthorized persons.

### 20.2 Battery

#### WARNING

To reduce the risk of a short circuit, which could lead to electric shock, fire and explosion, never store the battery in a metal container or near metal objects,  7. If the battery is damp or wet, allow it to dry thoroughly before storing,  7.

#### WARNING

Extreme temperatures can damage the battery and may also cause the battery to generate heat, rupture, leak, ignite or explode, resulting in severe or fatal personal injury or property damage. Use and store the battery only within an ambient temperature range of 14 °F to 122 °F (- 10 °C to 50 °C),  7. Never store the battery in direct sunlight or inside a vehicle in hot weather,  7.


To properly store the battery:

- ▶ Take the battery out of the trimmer or the charger.
- ▶ Make sure the battery is dry and store it indoors in a dry and secure location.
- ▶ Keep it out of the reach of children and other unauthorized persons.
- ▶ Protect the battery against dampness and corrosive agents such as garden chemicals and de-icing salts.
- ▶ Protect the battery from exposure to conductive liquids such as salt water.
- ▶ For maximum battery life, store the battery at an ambient temperature between 50 °F and 68 °F (10 °C and 20 °C) with a charge between 40 % and 60 % (2 green LEDs).
- ▶ Do not leave spare batteries unused. Use them in rotation.

## 21 Cleaning

### 21.1 Cleaning the Trimmer and Battery

#### **!** WARNING



To reduce the risk of personal injury from unintended activation, remove the battery before carrying out any cleaning work,  6. Users of this trimmer / brushcutter should carry out only the cleaning described in this manual.

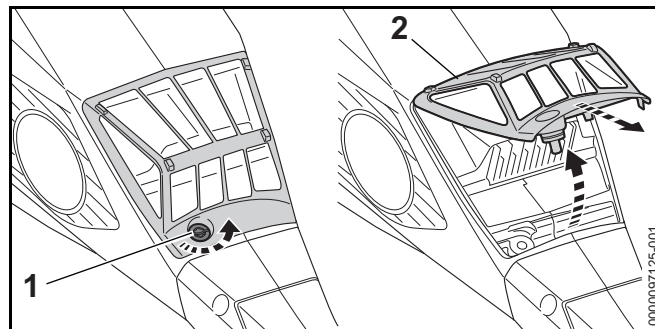
To clean the trimmer / brushcutter and battery:

- ▶ Clean the power tool's polymer components with a slightly dampened cloth. Do not use detergents or solvents. They may damage the polymer components.
- ▶ Do not use a pressure washer to clean the trimmer /brushcutter or otherwise spray it with water or other liquids.
- ▶ Keep the battery housing and guides free from foreign matter and clean as necessary with a soft brush or soft, dry cloth.

### 21.2 Cleaning the Air Filter

To clean the air filter:

- ▶ Switch off the power tool,  15.2.
- ▶ Remove the battery,  14.2.







- ▶ Clean the area around the air filter (2) with a damp cloth or soft brush.
- ▶ Turn the screw (1) counterclockwise until the air filter can be removed.
- ▶ Remove the air filter by lifting it up and pulling it off.
- ▶ Rinse away coarse dirt from the outside of the air filter under running water. Never spray the air filter with a pressure washer.
- ▶ If the air filter is damaged, replace it.
- ▶ Allow the air filter to air dry.
- ▶ After the air filter has dried thoroughly, push it into place by hand.
- ▶ Tighten the screw.

## 22 Inspection and Maintenance


### 22.1 Inspection and Maintenance Chart

Always remove the battery before carrying out any inspection, cleaning or maintenance.

The following maintenance intervals are examples and apply for normal operating conditions. Actual use and your experience will determine the frequency of required inspection and maintenance.		Before starting work	After finishing work or daily	Every 50 working hours	Relevant Chapter
Complete Machine	Visual inspection	X			
	Clean		X		 21.1
Controls	Check function and condition	X			 16.1
Gearbox	Lubricating			X	 22.3
Cutting Attachment	Visual inspection	X	X	X	
Air Filter	Clean			X	 21.2

### 22.2 Inspecting and Maintaining the Trimmer / Brushcutter

#### WARNING

To reduce the risk of personal injury from unintended activation, remove the battery before inspecting the trimmer / brushcutter or carrying out any maintenance,  6. Carry out only the maintenance operations described in this manual. There are no user-authorized repairs. STIHL recommends that repair work be performed by authorized STIHL servicing dealers.

To properly maintain the trimmer / brushcutter:

- ▶ Replace a worn deflector, mowing head or metal cutting attachment.
- ▶ Have worn, missing or damaged safety labels replaced by an authorized STIHL servicing dealer.

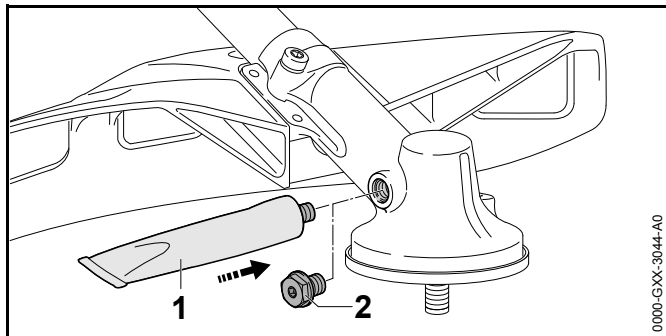
If you make a warranty claim for a component that has not been serviced or maintained properly, coverage may be denied.

### 22.3 Lubricating the Gearbox

#### WARNING

The gearbox becomes hot during operation. To reduce the risk of burn injury, avoid contacting the gearbox while it is still hot following operation. Wait for the gearbox to cool down before performing this operation.

To lubricate the gearbox:



- ▶ Remove the screw plug (2).
- ▶ If no grease can be seen on the inside of the screw plug, screw the tube (1) of STIHL gear lubricant into the filler hole.
- ▶ Squeeze no more than 0.2 oz. (5 g) of STIHL gear lubricant into the gearbox.
- ▶ Remove the tube of STIHL gear lubricant.
- ▶ Insert the screw plug and tighten it.

### NOTICE

Do not completely fill the gearbox with grease.

## 22.4 Replacing the Trimmer Line on an AutoCut 25-2 Mowing Head

### ⚠ WARNING

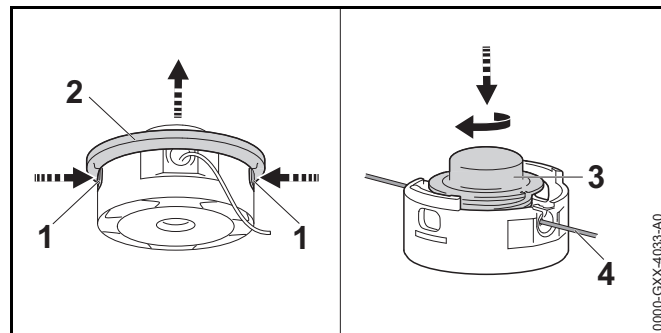
Use of wire or metal-reinforced line is not authorized and could be extremely dangerous. Use only the cutting attachments recommended in this manual, in combination with the recommended deflector.

### ⚠ WARNING

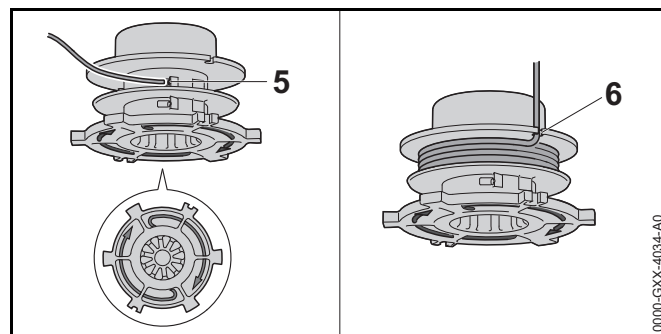
A damaged or loose cutting attachment or mowing head may vibrate, crack, break or come off the trimmer / brushcutter, which may result in serious or fatal injury or property

damage. Make sure the mowing head and cutting attachment are properly and securely tightened and in good condition before starting work.

- ▶ Switch off the power tool, 15.2.
- ▶ Remove the battery, 14.2.
- ▶ Remove the mowing head, 12.4.2.

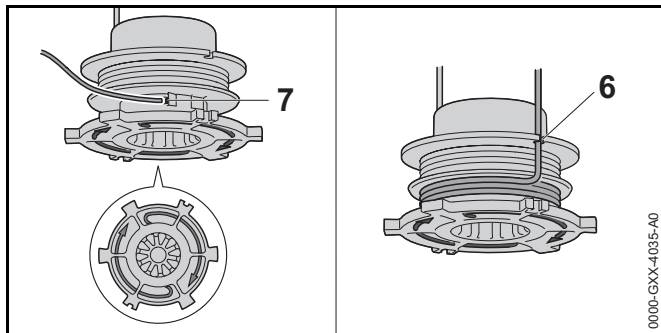


- ▶ Press both tabs (1) and remove the cover (2).
- ▶ Press down on the spool (3), turn it clockwise to release the spool and pull up to remove it.
- ▶ Remove the remaining trimmer line (4) and dispose of it.
- ▶ If you use trimmer line with a diameter of 0.095 in. (2.4 mm), cut a 33 ft. m (10 m) length of nylon line from the reel and then cut it in half, making two 16.5 ft. (5 m) lengths.

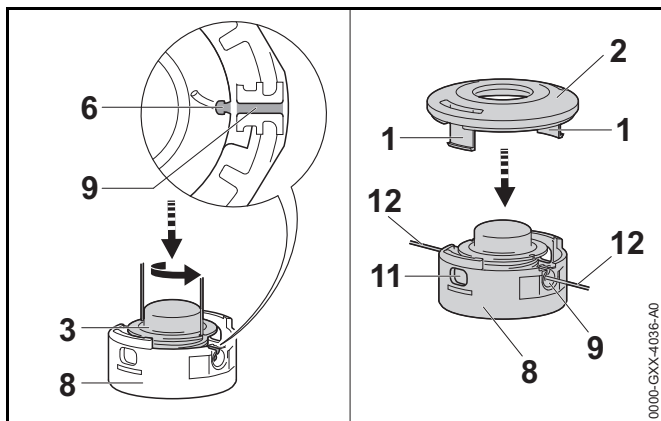


- ▶ Insert the first 16.5 ft. (5 m) length of line into the eyelet (5) nearest the notches (6) until it stops.

- ▶ Wind the trimmer line firmly and evenly in the direction of the arrow on the bottom of the mowing head.
- ▶ Hook the end of the trimmer line into one of the notches (6).



- ▶ Repeat the winding process with the second 16.5 ft. (5 m) length of trimmer line using the other eyelet (7) and notch (6).



- ▶ Fit the spool (3) into the mowing head (8).
- ▶ Press and turn the spool until one of the notches (6) is aligned with one of the eyelets (9) and one of the spool tabs is held in place by a tab in the mowing head.
- ▶ Put the ends of the trimmer line (12) through the eyelets (9).

- ▶ Fit the cover (2) on the mowing head. Align the tabs (1) of the cover with the openings (11) in the mowing head. Both tabs should click audibly into place.
- ▶ Pull on the line until the spool moves up slightly.

### NOTICE

Overly long trimmer line increases the load on the motor and reduces its operating speed. This may result in overheating and damage to important components.



Watch a video on how to replace trimmer line on an AutoCut 25-2 mowing head at [bit.ly/Autocut25-2](https://bit.ly/Autocut25-2). Click here or type this address into your browser.

## 22.5 Sharpening and Balancing a Metal Cutting Attachment

### ⚠ WARNING

Never use a dull or damaged metal cutting attachment. Working with a dull blade leads to increased physical strain, increased vibration load, unsatisfactory cutting results and increased wear, which can result in loss of control and injury to the operator or bystanders. A damaged cutting attachment may vibrate, crack, break or come off the trimmer / brushcutter, which may result in serious or fatal injury or property damage. Make sure the cutting attachment is sharp and in good condition before starting work.

### ⚠ WARNING

An improperly sharpened metal cutting attachment can increase the risk of kickout (blade thrust) and other reactive forces, resulting in severe personal injury or death. STIHL recommends having your metal cutting attachment sharpened and balanced by an authorized STIHL servicing dealer to reduce the risk of severe or fatal injury.

To sharpen the metal cutting attachment:

- ▶ Use a flat file to sharpen dull cutting attachments. In case of more serious wear or nicks, resharpen with a grinder or have it sharpened by an authorized STIHL servicing dealer.
- ▶ Sharpen frequently and take away as little metal as necessary to create a sharp edge. Two or three strokes of the file are usually enough.
- ▶ Resharpen the cutting edges uniformly. Take care not to alter the contour of the blade body.
- ▶ See cutting attachment packaging for additional sharpening instructions. Keep the packaging for future reference.

To balance the metal cutting attachment:








- ▶ After resharpening about 5 times, check the cutting tool for out-of-balance on a STIHL balancer (special accessory) or have it checked and rebalanced by an authorized STIHL servicing dealer as necessary.



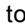

## 23 Troubleshooting Guide

### 23.1 Trimmer / Brushcutter and Battery

Always remove the battery before carrying out any inspection, cleaning or maintenance.

Condition	LEDs on Battery	Cause	Remedy
Trimmer / Brushcutter does not start when switched on.		No electrical contact between trimmer / brushcutter and battery.	<ul style="list-style-type: none"> <li>▶ Remove the battery,  14.2.</li> <li>▶ Visually check the electrical contacts in the battery compartment and on the battery.</li> <li>▶ Reinsert the battery,  14.1.</li> </ul>
	1 LED flashes green.  STIHL AR Series: four long beeps are emitted (AR L - six beeps).	Battery has low charge.	<ul style="list-style-type: none"> <li>▶ Charge the battery,  9.</li> </ul>
	1 LED glows red.	Battery too hot / too cold.	<ul style="list-style-type: none"> <li>▶ Allow the battery to warm up or cool down gradually at ambient temperatures of about 50 °F to 68 °F (10 °C to 20 °C).</li> </ul>
	4 LEDs flash red.  STIHL AR Series: Additionally, a rapid succession of short beeps is emitted.	Malfunction in battery.	<ul style="list-style-type: none"> <li>▶ Remove the battery and reinsert it,  14.</li> <li>▶ Switch on the trimmer / brushcutter,  15.1.</li> <li>▶ If the LEDs continue to flash, do not attempt to use. The battery has a malfunction and must be replaced.</li> </ul>
	3 LEDs glow red.	Trimmer / Brushcutter too hot.	<ul style="list-style-type: none"> <li>▶ Allow the trimmer / brushcutter to cool down.</li> </ul>
	3 LEDs flash red.	Malfunction in trimmer / brushcutter.	<ul style="list-style-type: none"> <li>▶ Remove the battery and reinsert it,  14</li> <li>▶ Switch on the trimmer / brushcutter,  15.1.</li> <li>▶ If the LEDs still flash, do not attempt to use. The trimmer / brushcutter has a malfunction and must be checked by a servicing dealer.</li> </ul>

Always remove the battery before carrying out any inspection, cleaning or maintenance.

Condition	LEDs on Battery	Cause	Remedy
		The trigger switch was already depressed before operating the retaining latch.	▶ Switch on the trimmer / brushcutter as described in this instruction manual.
Trimmer / Brushcutter cuts out during operation.	1 LED glows red.	Battery too hot / too cold.	▶ Remove the battery,  14.2. ▶ Allow the trimmer / brushcutter and battery to cool down gradually at ambient temperatures of about 50 °F to 68 °F (10 °C to 20 °C).
	3 LEDs glow red.	Trimmer / Brushcutter too hot.	
Run-time is too short.		Battery not fully charged.	▶ Charge the battery,  9.
		Useful life of battery has been reached or exceeded.	▶ Have the battery checked by an authorized STIHL servicing dealer.
The power levels cannot be set.		The trigger switch is depressed and the trimmer / brushcutter is switched on.	▶ Release the trigger and hold only the trigger switch lockout depressed. ▶ Select the power level as described in this instruction manual.
Battery is not being charged even though LED on charger glows green.	1 LED glows red.	Battery too hot / too cold.	▶ Allow the battery to warm up or cool down gradually at ambient temperatures of about 50 °F to 68 °F (10 °C to 20 °C). ▶ Operate the charger only in enclosed, dry rooms at ambient temperatures of 41 °F to 104 °F (5 °C to 40 °C).

## 24 Specifications

### 24.1 STIHL FSA 135 R

- Approved battery types:
  - STIHL AP series
  - STIHL AR series
- Weight without deflector or cutting attachment:  
10.1 lbs. (4.6 kg)
- Length: 74.2 in. (1885 mm)

For technical information regarding the STIHL AP and AR / AR L series batteries, see the product information accompanying your battery.

For technical information regarding the STIHL AL 101, 300 and 500 series chargers, see the product information accompanying your charger.

Batteries, chargers and other accessories sold separately. Contact your authorized STIHL servicing dealer for pricing and availability.

### 24.2 Symbols on the Power Tool, Deflector and Battery

Symbol	Explanation
V	Volt
Hz	Hertz
A	Ampere
Ah	Ampere hour
W	Watt
Wh	Watt hour
AC	Alternating current
IP20	Degree of electrical protection



Push the retaining latch forward to switch the trimmer / brushcutter on and to set the power levels.



Power symbol on the retaining latch.



Symbol on the deflector showing proper direction of rotation for the cutting attachment.

max Ø XXX Maximum allowable diameter of the cutting attachment



Rated speed of the cutting attachment



Number of cells and stored energy according to cell manufacturer's specification. Usable energy will be less.



Certification/listing mark of CSA



STIHL products must not be disposed of in the household trash, but only in accordance with local, state and federal laws and regulations and as provided in this manual, 27.



The RBRC seal indicates that STIHL has prepaid for battery recycling

### 24.3 Engineering Improvements

STIHL's philosophy is to continually improve all of its products. As a result, engineering changes and improvements are made from time to time. Therefore, some changes, modifications and improvements may not be covered in this manual. If the operating characteristics or the appearance of your machine differs from those described in this manual, please contact your STIHL dealer or the STIHL distributor in your area for assistance.

### 24.4 FCC 15 Compliance Statement

This device complies with part 15 of the FCC Rules.

Operation is subject to the following two conditions:

- this device may not cause harmful interference.

- this device must accept any interference received, including interference that may cause undesired operation.

Note: This equipment has been tested and found to comply with the limits for a Class B digital device, pursuant to part 15 of the FCC Rules. These limits are designed to provide reasonable protection against harmful interference in a residential installation. This equipment generates, uses and can radiate radio frequency energy and, if not installed and used in accordance with the instructions, may cause harmful interference to radio communications. However, there is no guarantee that interference will not occur in a particular installation.

If this equipment does cause harmful interference to radio or television reception, which can be determined by turning the equipment off and on, the user is encouraged to try to correct the interference by one or more of the following measures:

- reorient or relocate the receiving antenna,
- increase the separation between the equipment and receiver,
- connect the equipment to an outlet on a circuit different from that to which the receiver is connected,
- consult an authorized STIHL servicing dealer or an experienced radio/TV technician for help.

Do not change or modify this product in any way unless specifically allowed in this manual, since this could void your authority to operate it.

## 25 Approved Deflector, Cutting Attachment, Handle and Harness Combinations

### 25.1 STIHL FSA 135 R

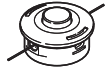




The FSA 135 R is approved for use only with the following cutting attachments:




Cutting Attachments	Deflectors	Handle	Harnesses
Mowing heads with round "quiet" line with a diameter of 0.095 in. (2.4 mm): – AutoCut 25-2 (1) – AutoCut 36-2 (2) – AutoCut C 26-2 (3) – SuperCut 20-2 (4) – DuroCut 20-2 (5) – FixCut 31-2 (6) – TrimCut C 32-2 (7)	– Deflector for Mowing Heads (11) – Deflector for Metal Cutting Attachments with Skirt and Line Limiting Blade (12)	– Loop Handle (14) – Loop Handle with Barrier Bar (15)	optional: – Shoulder Strap (16) – Full Harness (17) with a quick-release system – STIHL AR Backpack Battery in combination with Hip Pad (18) – STIHL Battery Belt with STIHL AP Battery Bag with Connecting Cord in combination with the Shoulder Strap (19) – STIHL Battery Belt with STIHL AP Battery Bag with Connecting Cord in combination with the Shoulder Harness and Hip Pad (20) – STIHL Battery Backpack in combination with Hip Pad (21)

The FSA 135 R is approved for use only with the following cutting attachments:

Cutting Attachments	Deflectors	Handle	Harnesses
Diameter of 9 in. (230 mm) – Grass Cutting Blade 230-4 (8) – Grass Cutting Blade 230-8 (9)	– Deflector for Metal Cutting Attachments without Skirt (13)	– Loop Handle with Barrier Bar (15)	required: – Shoulder Strap (16) – Full Harness (17) with a quick-release system – STIHL AR Backpack Battery in combination with Hip Pad (18) – STIHL Battery Belt with STIHL AP Battery Bag with Connecting Cord in combination with the Shoulder Strap (19) – STIHL Battery Belt with STIHL AP Battery Bag with Connecting Cord in combination with the Shoulder Harness and Hip Pad (20) – STIHL Battery Backpack in combination with Hip Pad (21)
Diameter of 9.8 in. (250 mm) – Brush Knife 250-3 (10)			

Description of the Cutting Attachments

-  AutoCut 25-2 (1)
-  AutoCut 36-2 (2)
-  AutoCut C 26-2 (3)
-  SuperCut 20-2 (4)
-  DuroCut 20-2 (5)

-  FixCut 31-2 (6)
-  TrimCut C 32-2 (7)
-  Grass Cutting Blade 230-4 (8)

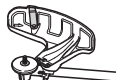


Grass Cutting Blade 230-8 (9)



Brush Knife 250-3 (10)

### Description of the Deflectors



Deflector for Mowing Heads (11)



Deflector for Metal Cutting Attachments with Skirt and Line Limiting Blade (12)



Deflector for Metal Cutting Attachments without Skirt (13)

### Description of the Handles



Loop handle (14)



Loop Handle with Barrier Bar (15)

### Description of the Harnesses



Shoulder Strap (16)



Full Harness (17) with a quick-release system



STIHL AR Backpack Battery in combination with Hip Pad (18)



STIHL Battery Belt with STIHL AP Battery Bag with Connecting Cord in combination with the Shoulder Strap (19)




STIHL Battery Belt with STIHL AP Battery Bag with Connecting Cord in combination with the Shoulder Harness and Hip Pad (20)



STIHL Battery Backpack in combination with Hip Pad (21)

### ⚠ WARNING

To reduce the risk of personal injury from thrown objects and contact with the cutting attachment, never operate the trimmer / brushcutter without the proper deflector, loop handle and harness,  5.7.4. Ensure that the deflector and loop handle are properly mounted and adjusted at all times while working.

### ⚠ WARNING

To reduce the risk of injury from loss of control and contact with the cutting attachment, make sure your unit is equipped with the proper handle, deflector and harness. Use grass cutting metal blades and brush knives on this unit only if equipped with a loop handle with barrier bar and harness.


**⚠ WARNING**

The operator must be able to remove the harness quickly in the event of an emergency. To reduce the risk of injury in an emergency:

- ▶ Practice removing and putting down the power tool as you would in an emergency. To avoid damage, do not throw the power tool to the ground when practicing.

## 26 Replacement Parts and Equipment

### 26.1 Genuine STIHL Replacement Parts

STIHL recommends the use of genuine STIHL replacement parts. Genuine STIHL parts can be identified by the STIHL part number, the **STIHL** logo and, in some cases, by the STIHL parts symbol . The symbol may appear alone on small parts.

## 27 Disposal

### 27.1 Disposal of the Power Tool

STIHL products must not be thrown in household trash or disposed of except as outlined in this manual.

- ▶ Take the power tool, accessories and packaging to an approved disposal site for environmentally friendly recycling.
- ▶ Contact your authorized STIHL servicing dealer for the latest information on disposal and recycling.

### 27.2 Battery Recycling

**⚠ WARNING**

Handle discharged/depleted batteries carefully. Even if believed to be discharged, lithium ion batteries may never totally discharge and still may deliver a dangerous short

circuit current. If damaged or exposed to extreme temperatures, they may leak, generate heat, catch fire or explode.

- ▶ Observe all federal, state and local disposal rules and regulations.
- ▶ Contact your authorized STIHL servicing dealer for the latest information on waste disposal.
- ▶ Recycle depleted batteries promptly.
- ▶ Keep batteries away from children. Do not disassemble and do not dispose of in fire.



STIHL is committed to the development of products that are environmentally responsible. This commitment does not stop when the product leaves the authorized STIHL servicing dealer. STIHL has partnered with the RBRC (Rechargeable Battery Recycling Corporation) to promote the collection and recycling of spent STIHL lithium ion batteries in the United States and Canada.

The RBRC seal indicates that STIHL has prepaid for battery recycling. RBRC has a toll free phone number (1-800-822-8837) that connects you to information on battery recycling locations and information on battery disposal bans or restrictions in your area. You can also return your spent battery to any authorized STIHL servicing dealer for recycling free of charge.

## 28 Limited Warranty

### 28.1 STIHL Incorporated Limited Warranty Policy

This product is sold subject to the STIHL Incorporated Limited Warranty Policy, available at [www.stihlusa.com/warranty.html](http://www.stihlusa.com/warranty.html). It can also be obtained from your authorized STIHL dealer or by calling 1-800-GO-STIHL (1-800-467-8445).



## **28.2 STIHL Incorporated CALIFORNIA ZERO EMISSIONS CONTROL WARRANTY STATEMENT**

For California only

### **YOUR WARRANTY RIGHTS AND OBLIGATIONS**

The California Air Resources Board (CARB) and STIHL Incorporated are pleased to explain the emissions control system warranty on your 2020 and later small off-road zero emission equipment motor.

In California, new equipment that uses small off-road zero emission equipment motors must be designed, built, and equipped to meet the State's stringent anti-smog standards. STIHL Incorporated must warrant the emissions control system on your small off-road zero emission equipment motors for the periods of time listed below provided there has been no abuse, neglect or improper maintenance of your small off-road motor or equipment leading to the failure of the emissions control system.

Your emissions control system may include parts such as the zero emission equipment motor, motor controller, battery and battery charger.

Where a warrantable condition exists, STIHL Incorporated will repair your small off-road zero emission equipment motor at no cost to you including diagnosis, parts, and labor.

### **MANUFACTURER'S WARRANTY RESPONSIBILITIES**

The emissions control system on your small off-road equipment motor is warranted for two years. If any emission-related part on your small off-road zero emission equipment motor is defective, the part will be repaired or replaced by STIHL Incorporated free of charge.

### **OWNER'S WARRANTY RESPONSIBILITIES**

As the small off-road zero emission equipment motor owner, you are responsible for the performance of the required maintenance listed in your instruction manual. STIHL Incorporated recommends that you retain all receipts covering maintenance on your small off-road zero emission equipment motor, but STIHL Incorporated cannot deny

warranty coverage solely for the lack of receipts or for your failure to ensure the performance of all scheduled maintenance.

As the small off-road zero emission equipment motor owner, you should however be aware that STIHL Incorporated may deny you warranty coverage if your small off-road zero emission equipment motor or a part has failed due to abuse, neglect, improper maintenance or unapproved modifications.

You are responsible for presenting your small off-road zero emission equipment motor to an authorized STIHL dealer as soon as a problem exists. The warranty repairs should be completed in a reasonable amount of time, not to exceed 30 days.

If you have any questions regarding your warranty rights and responsibilities, please contact a STIHL customer service representative at 1-800-467-8445 or you can write to

STIHL Incorporated  
536 Viking Drive  
P.O. Box 2015  
Virginia Beach, VA  
23452-2015  
[www.stihlusa.com](http://www.stihlusa.com)

### **COVERAGE BY STIHL INCORPORATED**

STIHL Incorporated warrants to the ultimate purchaser and each subsequent purchaser that your small off-road zero emission equipment motor is designed, built and equipped, at the time of sale, to meet all applicable emission regulations.

STIHL Incorporated also warrants to the initial purchaser and each subsequent purchaser that your zero emission equipment motor is free from defects in materials and workmanship which cause the your zero emission equipment motor to fail to conform to applicable emission regulations for a period of two years.

## DEFECTS WARRANTY PERIOD

The warranty periods will begin on the date the utility zero emission equipment motor is purchased by the initial purchaser. If any emission-related part on your zero emission equipment motor is defective, the part will be replaced by STIHL Incorporated at no cost to the owner.

Add-on or modified parts that are not exempted by CARB may not be used. The use of any non-exempted add-on or modified parts will be grounds for disallowing a warranty claim. STIHL Incorporated will not be liable to warrant failures of warranted parts caused by the use of a non-exempted add-on or modified part.

The warranty on emissions-related parts will be interpreted as follows:

- 1) Any warranted part that is not scheduled for replacement as required maintenance in the written instructions required in the Emission Warranty Parts List (see below) must be warranted for the warranty period defined in Subsection COVERAGE BY STIHL INCORPORATED, see above. If any such part fails during the period of warranty coverage, it must be repaired or replaced by the manufacturer according to Subsection (4) below. Any such part repaired or replaced under the warranty must be warranted for the remaining warranty period.
- 2) Any warranted part that is scheduled only for regular inspection in the written instructions required by the Emission Warranty parts List (see below) must be warranted for the warranty period defined in Subsection COVERAGE BY STIHL INCORPORATED, see above. A statement in such written instructions to the effect of "repair or replace as necessary" will not reduce the period of warranty coverage. Any such part repaired or replaced under warranty must be warranted for the remaining period.
- 3) Any warranted part that is scheduled for replacement as required maintenance in the written instructions required by the Emission Warranty Parts List (see below) must be warranted for the period of time prior to the first scheduled replacement point for that part. If the part fails prior to the first scheduled replacement, the part must be repaired or replaced by the zero emission equipment motor manufacturer according to Subsection (4) below. Any

such part repaired or replaced under warranty must be warranted for the remainder of the period prior to the first scheduled replacement point for the part.

- 4) Repair or replacement of any warranted part under the warranty must be performed at a warranty station at no charge to the owner.
- 5) Notwithstanding the provisions of Subsection (4) above, warranty services or repairs will be provided at all manufacturer distribution centers that are authorized to service the subject zero emission equipment motor.
- 6) The owner must not be charged for diagnostic labor that leads to the determination that a warranted part is in fact defective, provided that such diagnostic work is performed at a warranty station.

## WARRANTY WORK

STIHL Incorporated shall remedy warranty defects at any authorized STIHL dealer or warranty station. Any such work shall be free of charge to the owner if it is determined that a warranted part is defective. Any manufacturer approved or equivalent replacement part may be used for any warranty maintenance or repairs on emission-related parts and must be provided without charge to the owner. STIHL Incorporated is liable for damages to other zero emission equipment motor components caused by the failure of a warranted part still under warranty.

## EMISSION WARRANTY PARTS LIST

Motor, Battery, Battery Charger, Motor Controller

## WHERE TO MAKE A CLAIM FOR WARRANTY SERVICE

Bring the STIHL product to any authorized STIHL dealer.

## LIMITATIONS

The repair or replacement of any warranted part otherwise eligible for warranty coverage may be excluded from such warranty coverage if STIHL Incorporated demonstrates that the STIHL product has been abused, neglected, or improperly maintained, and that such abuse, neglect, or improper maintenance was the direct cause of the need for repair or replacement of the part. That notwithstanding, any

adjustment of a component that has a factory installed, and properly operating, adjustment limiting device is still eligible for warranty coverage.

## 29 Trademarks

### 29.1 Registered Trademarks

STIHL®

**STIHL**®



The color combination orange-grey (U.S. Registrations #2,821,860; #3,010,057, #3,010,058, #3,400,477; and #3,400,476)

AutoCut®

YARD BOSS®

STIHL ROLLOMATIC®

WOOD BOSS®



FARM BOSS®

iCademy®

MAGNUM®

MasterWrench Service®

MotoMix®

OILOMATIC®

ROCK BOSS®

STIHL Cutquik®



STIHL DUROMATIC®

STIHL Quickstop®

STIHL WOOD BOSS®

TIMBERSPORTS®



Quad Power™	STIHL HomeScaper Series™
Quiet Line™	STIHL PolyCut™
STIHL Arctic™	STIHL RAPID™
STIHL Compact™	STIHL SuperCut™
STIHL Interchangeable Attachment Series™	STIHL Multi-Cut HomeScaper Series™
TapAction™	STIHL Territory™
	

This listing of trademarks is subject to change.

Any unauthorized use of these trademarks without the express written consent of ANDREAS STIHL AG & Co. KG, Waiblingen is strictly prohibited.

## 30 Addresses

### 30.1 STIHL Incorporated

STIHL Incorporated  
536 Viking Drive  
P.O. Box 2015  
Virginia Beach, VA  
23452-2015

### 29.2 Common Law Trademarks

4-MIX™	HT Plus™
BioPlus™	STIHL PowerSweep™
Easy2Start™	STIHL Protech™
EasySpool™	STIHL MiniBoss™
ElastoStart™	STIHL MotoPlus 4™
Ematic™	Master Control Lever™
STIHL Precision Series™	STIHL OUTFITTERS™
FixCut™	STIHL PICCO™
Micro™	TrimCut™
Pro Mark™	STIHL M-Tronic™

## Contenido

<b>1</b>	<b>Introducción</b> .....	<b>60</b>	<b>9.2</b>	<b>Carga</b> .....	<b>84</b>
<b>2</b>	<b>Acerca de este manual de instrucciones</b> .....	<b>60</b>	<b>10</b>	<b>Diagnóstico por LED y señales acústicas</b> .....	<b>85</b>
2.1	Palabras identificadoras.....	60	10.1	Batería AP de STIHL.....	85
2.2	Símbolos en el texto.....	61	10.2	Batería de mochila STIHL AR.....	86
<b>3</b>	<b>Componentes importantes</b> .....	<b>61</b>	<b>11</b>	<b>Batería de mochila STIHL AR</b> .....	<b>87</b>
3.1	Motoguadaña / desmalezadora y batería.....	61	11.1	Colocación del cordón de conexión en posición.....	87
3.2	Accesorios de corte y deflectores disponibles.....	62	11.2	Colocación del arnés.....	88
<b>4</b>	<b>Símbolos de seguridad en los productos</b> .....	<b>63</b>	<b>12</b>	<b>Armado de la motoguadaña / desmalezadora</b> .....	<b>89</b>
4.1	Motoguadaña / desmalezadora.....	63	12.1	Montaje del mango circular.....	89
4.2	Deflectores para cabezas segadoras.....	64	12.2	Montaje de la barra de defensa.....	89
4.3	Deflectores para accesorios de corte metálicos.....	64	12.3	Instalación y retiro de un deflector.....	90
4.4	Faldilla.....	64	12.4	Montaje y retiro de una cabeza segadora.....	91
4.5	Batería.....	65	12.5	Montaje y retiro de un accesorio de corte metálico.....	93
<b>5</b>	<b>INSTRUCCIONES IMPORTANTES DE SEGURIDAD</b> .....	<b>65</b>	<b>13</b>	<b>Ajuste de la motoguadaña / desmalezadora</b> .....	<b>94</b>
5.1	Advertencias e instrucciones de seguridad generales.....	65	13.1	Colocación y ajuste de la correa para el hombro o del arnés completo.....	94
5.2	Introducción.....	66	13.2	Ajuste del mango circular.....	95
5.3	Uso previsto.....	67	13.3	Equilibrado de la motoguadaña / desmalezadora.....	96
5.4	Operador.....	67	<b>14</b>	<b>Colocación y extracción de la batería</b> .....	<b>96</b>
5.5	Equipos de protección personal.....	67	14.1	Colocación de la batería.....	96
5.6	Motoguadaña / desmalezadora.....	68	14.2	Extracción de la batería.....	97
5.7	Uso de la motoguadaña / desmalezadora.....	70	<b>15</b>	<b>Encendido y apagado de la motoguadaña / desmalezadora</b> .....	<b>97</b>
5.8	Uso de los accesorios de corte.....	76	15.1	Encendido.....	97
<b>6</b>	<b>Mantenimiento, reparación y almacenamiento</b> .....	<b>80</b>	15.2	Apagado.....	98
6.1	Advertencias e instrucciones.....	80	<b>16</b>	<b>Comprobación de la herramienta motorizada</b> .....	<b>99</b>
<b>7</b>	<b>Seguridad de la batería</b> .....	<b>81</b>	16.1	Prueba de los controles.....	99
7.1	Advertencias e instrucciones.....	81	<b>17</b>	<b>Durante el funcionamiento</b> .....	<b>99</b>
<b>8</b>	<b>Antes de empezar a trabajar</b> .....	<b>83</b>	17.1	Selección del nivel de potencia.....	99
8.1	Preparación de la motoguadaña / desmalezadora para el funcionamiento.....	83	17.2	Uso de la motoguadaña / desmalezadora.....	100
<b>9</b>	<b>Carga de la batería</b> .....	<b>83</b>	17.3	Ajuste del hilo de nilón.....	100
9.1	Preparación del cargador para el funcionamiento.....	83	<b>18</b>	<b>Después de completar el trabajo</b> .....	<b>101</b>

# STIHL

Este manual de instrucciones está protegido por derechos de propiedad intelectual. Todos los derechos reservados, especialmente los derechos de reproducción, traducción y procesamiento con sistemas electrónicos.

18.1 Preparación para el transporte o el almacenamiento.....	101	<b>28 Garantía limitada.....</b>	<b>117</b>
<b>19 Transporte de la motoguadaña / desmalezadora y de la batería.....</b>	<b>101</b>	28.1 Política de garantía limitada de STIHL Incorporated.....	117
19.1 Motoguadaña / desmalezadora.....	101	28.2 DECLARACIÓN DE GARANTÍA DE STIHL Incorporated SOBRE SISTEMAS DE CONTROL DE EMISIONES SEGÚN NORMAS DE CALIFORNIA.....	117
19.2 Batería.....	102	<b>29 Marcas comerciales.....</b>	<b>119</b>
<b>20 Almacenamiento de la motoguadaña / desmalezadora y de la batería.....</b>	<b>103</b>	29.1 Marcas comerciales registradas.....	119
20.1 Motoguadaña / desmalezadora.....	103	29.2 Marcas comerciales por ley común.....	119
20.2 Batería.....	103	<b>30 Direcciones.....</b>	<b>120</b>
<b>21 Limpieza.....</b>	<b>103</b>	30.1 STIHL Incorporated.....	120
21.1 Limpieza de la motoguadaña y de la batería.....	103		
21.2 Limpieza del filtro de aire.....	104		
<b>22 Inspección y mantenimiento.....</b>	<b>105</b>		
22.1 Tabla de inspección y mantenimiento.....	105		
22.2 Inspección y mantenimiento de la motoguadaña / desmalezadora.....	105		
22.3 Lubricación de la caja de engranajes.....	106		
22.4 Sustitución del hilo de la motoguadaña en una cabeza segadora AutoCut 25-2.....	106		
22.5 Afilado y equilibrado de un accesorio de corte metálico.....	108		
<b>23 Guía de solución de problemas.....</b>	<b>109</b>		
23.1 Motoguadaña / desmalezadora y batería.....	109		
<b>24 Especificaciones.....</b>	<b>111</b>		
24.1 STIHL FSA 135 R.....	111		
24.2 Símbolos de la herramienta motorizada, del deflector y de la batería.....	111		
24.3 Mejoramientos técnicos.....	111		
24.4 Declaración de cumplimiento con norma FCC 15.....	112		
<b>25 Combinaciones aprobadas de deflector, accesorio de corte, mango y arnés.....</b>	<b>113</b>		
25.1 STIHL FSA 135 R.....	113		
<b>26 Piezas y equipos de repuesto.....</b>	<b>116</b>		
26.1 Piezas de repuesto originales de STIHL.....	116		
<b>27 Eliminación.....</b>	<b>116</b>		
27.1 Desecho de la herramienta motorizada.....	116		
27.2 Reciclado de las baterías.....	116		

# 1 Introducción

Gracias por su compra. La información de este manual le ayudará a obtener el máximo rendimiento y la mayor satisfacción de la motoguadaña, y a reducir el riesgo de lesiones que supone su uso, si respeta dicha información.

Los términos empleados en este manual para hacer referencia a la herramienta motorizada varían según el tipo de accesorio de corte que se instale en la misma. El término "motoguadaña" se usa para denominar una unidad FS / FSA que está equipada con una cabeza con hilo de nilón o con una cabeza con cuchillas de plástico flexibles (esto es, la cabeza PolyCut). El término "desmalezadora" se da a una unidad equipada con una cuchilla metálica rígida. Muchos modelos FS / FSA de STIHL, incluida esta herramienta motorizada, pueden utilizarse como motoguadaña y como desmalezadora. Por lo tanto, en este manual se denomina a la herramienta motorizada "motoguadaña / desmalezadora".

## CONSERVE ESTE MANUAL



Dado que la motoguadaña / desmalezadora es una herramienta de corte que funciona a alta velocidad, es necesario tomar medidas de seguridad para reducir el riesgo de lesiones.



Lea este manual de instrucciones detenidamente antes de usar el equipo por primera vez, y periódicamente de allí en adelante. Respete todas las medidas de seguridad. El uso descuidado o inadecuado puede causar lesiones graves o mortales.

Pida a su concesionario de servicio STIHL autorizado que le enseñe a manejar su herramienta motorizada.

No preste ni alquile la herramienta motorizada sin este manual de instrucciones. Asegúrese de que solo usen la motoguadaña / desmalezadora personas que comprenden íntegramente la información de este manual.

Para obtener más información, o si no comprende alguna de las instrucciones incluidas en este manual, visite [www.stihlusa.com](http://www.stihlusa.com) o póngase en contacto con su concesionario de servicio autorizado de STIHL.

### ADVERTENCIA

Tal como se explica con detalle en páginas posteriores de este manual, para reducir el riesgo de lesiones debe asegurarse de que su máquina está equipada con el mango, el arnés y el deflector adecuados para el tipo de accesorio de corte que está utilizando. Use únicamente accesorios de corte que estén autorizados específicamente por STIHL para el uso con esta herramienta motorizada. Siempre use equipos de protección y gafas de seguridad adecuadas. No se debe permitir la presencia de otras personas, especialmente niños, ni de animales, en el área de trabajo en que se está utilizando la motoguadaña.

### ADVERTENCIA

El uso de esta máquina puede ser peligroso. Si el hilo o la cuchilla en movimiento entran en contacto con su cuerpo, le ocasionarán una cortadura. Cuando entra en contacto con objetos extraños sólidos, como rocas, vidrio o pedazos de metal, puede lanzarlos directamente o por rebote hacia las personas que se encuentran cerca o hacia el operador. Si golpea este tipo de objetos, el accesorio de corte puede sufrir daños, y las cuchillas se pueden romper, astillar o agrietar. Los objetos que salen despedidos, entre los que puede haber fragmentos de la cabeza o de cuchillas rotas, pueden provocar lesiones graves o mortales al operador o a las personas que se encuentren en los alrededores. Respete las medidas de seguridad que se dan en este manual para reducir el riesgo de sufrir lesiones.

## 2 Acerca de este manual de instrucciones

### 2.1 Palabras identificadoras

Este manual contiene información sobre seguridad a la que usted debe prestar atención especial. Dicha información se indica con los siguientes símbolos y palabras identificadoras:

**⚠ PELIGRO**

Identifica una situación de peligro que, de no evitarse, causará lesiones graves o mortales.

**⚠ ADVERTENCIA**


Identifica una situación de peligro que, de no evitarse, podría causar lesiones graves o mortales.

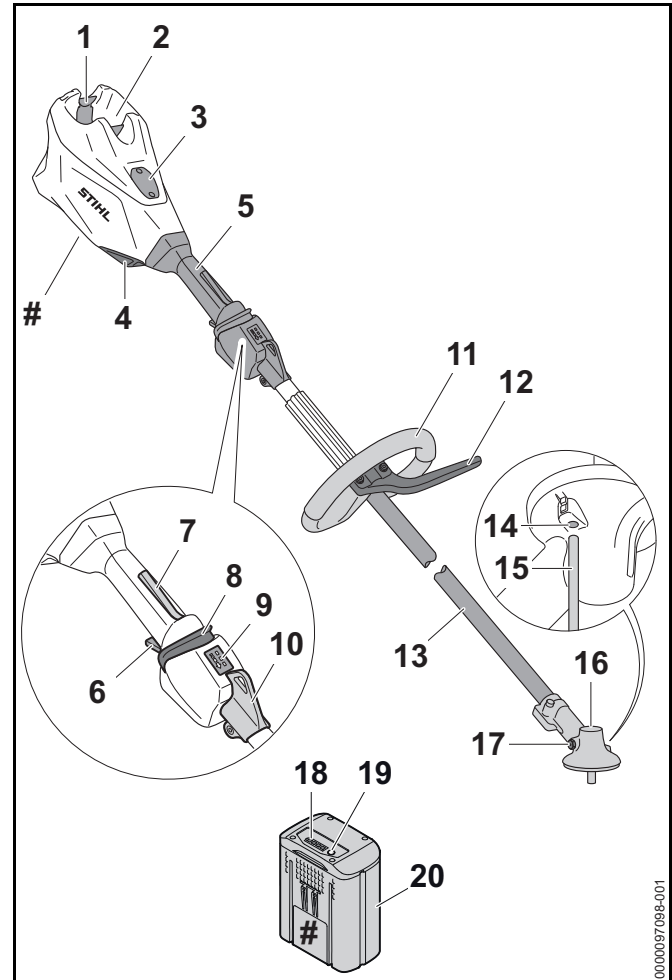
**INDICACIÓN**

Indica el riesgo de daños a la propiedad, incluidos la máquina o sus componentes.

**2.2 Símbolos en el texto**

El siguiente símbolo tiene como finalidad ayudarlo a utilizar este manual.

-  Hace referencia a un capítulo o subcapítulo designado en este manual de instrucciones.

**3 Componentes importantes****3.1 Motoguadaña / desmalezadora y batería****1 Palanca de bloqueo**

Asegura la batería en el compartimiento de la batería.

**2 Compartimiento de la batería**

Espacio en que se coloca la batería.

**3 Hueco de montaje**

Zona de montaje para un Smart Connector 2 A.

**4 Filtro de aire**

Filtra el aire que se aspira y entra en el motor.

**5 Mango de control**

Mango para la mano trasera del operador.

**6 Gatillo**

Activa el accesorio de corte cuando se presiona.

**7 Bloqueo del gatillo**

Se debe presionar para permitir la activación del gatillo.

**8 Pestillo de retención**

Para encender la motoguadaña / desmalezadora y para seleccionar el nivel de potencia.

**9 LED**

Indica el nivel de potencia de la máquina.

**10 Argolla de transporte**

Para conectar un arnés a la motoguadaña / desmalezadora.

**11 Mango circular**

Mango para la mano delantera del operador.

**12 Barra de defensa**

Diseñada para reducir el riesgo de que el operador entre en contacto accidentalmente con el accesorio de corte. Este equipo es necesario cuando la unidad se usa con una cuchilla metálica.

**13 Tubo de mando**

El vástago de la herramienta motorizada.

**14 Abertura para el pasador de tope**

Abertura que permite al operador bloquear el eje de salida insertando el pasador de tope.

**15 Pasador de tope**

Bloquea el eje de salida cuando se monta un accesorio de corte.

**16 Caja de engranajes**

Cubre el sistema de transmisión.

**17 Tapón roscado**

Sella la abertura de llenado de grasa de la caja de engranajes.

**18 LED de la batería**

Indican el estado de carga de la batería y muestran mensajes de error sobre posibles fallos de funcionamiento de la batería o de la herramienta motorizada.

**19 Pulsador**

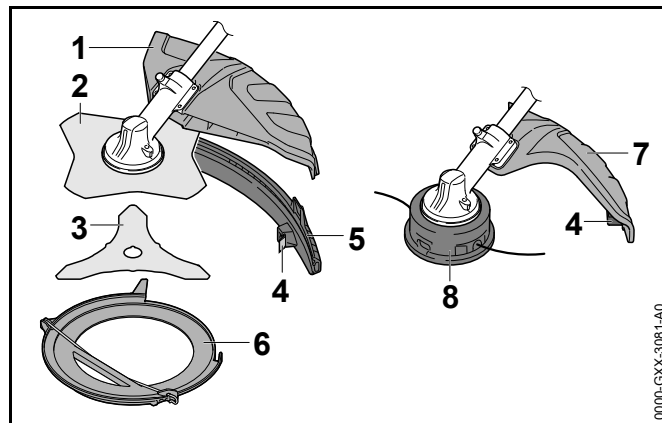
Activa los LED de la batería.

**20 Batería**

Suministra energía eléctrica al motor.

**# Placa de características**

Contiene los datos eléctricos y el número de serie del producto.

**3.2 Accesorios de corte y deflectores disponibles****1 Deflector para accesorios de corte metálicos**

Diseñado para reducir el riesgo de lesiones causadas por objetos lanzados y por contacto con el accesorio de corte.



**2 Cuchilla para pasto**

Cuchilla metálica para cortar pasto enmarañado y seco, helechos, maleza y vegetación similar.

**3 Cuchilla para matorrales**

Cuchilla metálica para cortar pasto denso, maleza, matorrales, arbustos y vegetación similar.

**4 Cuchilla limitadora del hilo**

Cuchilla metálica colocada en el deflector que corta el hilo de nilón a la longitud adecuada.

**5 Faldilla**

Convierte ciertos deflectores de STIHL para que se puedan usar con una cabeza segadora.

**6 Protector para transporte**

Diseñado para reducir el riesgo de lesiones provocadas por contacto con un accesorio de corte metálico cuando se transporta la máquina.

**7 Deflector para cabezas segadoras**

Diseñado para reducir el riesgo de lesiones causadas por objetos lanzados y por contacto con el accesorio de corte.

**8 Cabeza segadora**

Cabeza segadora para montar el hilo de nilón de la motoguadaña.

Esta herramienta motorizada se vende con un accesorio de corte y con un deflector adecuado. Están disponibles otros accesorios de corte y deflectores compatibles.

## 4 Símbolos de seguridad en los productos

**4.1 Motoguadaña / desmalezadora**

Los símbolos de seguridad siguientes se pueden ver en la motoguadaña / desmalezadora:



Para reducir el riesgo de lesiones, respete las medidas de seguridad especificadas.



Lea y respete todas las medidas de seguridad que se dan en el manual de instrucciones. Un uso inadecuado puede provocar lesiones graves o mortales, o daños materiales.



Para reducir el riesgo de lesionarse los ojos, use siempre gafas protectoras adecuadas. Lleve un casco protector homologado si hay riesgo de que se lesione la cabeza, 5.5.



Lleve botas resistentes con suela antideslizante. Cuando trabaje con un accesorio de corte metálico, utilice botas de seguridad con puntera de acero, 5.5.



Siempre use guantes de trabajo gruesos (por ejemplo, de cuero u otro material resistente al desgaste) para manejar la máquina o los accesorios de corte metálicos, 5.5.



El contragolpe (empuje causado por la cuchilla) puede ocasionar la pérdida del control sobre la herramienta motorizada y causar lesiones graves o mortales al usuario o a personas en su proximidad. Para reducir el riesgo de lesionarse, proceda con sumo cuidado cuando use una cuchilla rígida, 5.8.1.



Para reducir el riesgo de lesiones causadas por objetos que salen despedidos, revise la zona de trabajo y retire piedras, vidrio, rocas, piezas de metal y cualquier otro objeto que pudiera ser lanzado por el accesorio de corte. 5.7.4.



Para reducir el riesgo de lesiones provocadas por objetos que salen despedidos, asegúrese de que las personas de los alrededores se mantienen a una distancia de, como mínimo, 50 pies (15 m), 5.7.4.



Para reducir el riesgo de que se produzcan lesiones o daños materiales a consecuencia de una activación accidental, quite la batería siempre que la motoguadaña /desmalezadora no esté en uso, 7.



La caja de engranajes se calienta durante el funcionamiento de la máquina. Para reducir el riesgo de sufrir quemaduras, evite el contacto con la caja de engranajes cuando esta esté caliente tras el funcionamiento, 6.

#### 4.2 Deflectores para cabezas segadoras

Los siguientes símbolos pueden encontrarse en los deflectores diseñados para utilizarse con cabezas segadoras:



El deflector puede usarse en conjunto con las cabezas segadoras.



El deflector no debe usarse en conjunto con las cuchillas para cortar pasto.



El deflector no debe usarse en conjunto con las cuchillas para matorrales.



El deflector no debe usarse en conjunto con las cuchillas picadoras.



El deflector no debe usarse en conjunto con las sierras circulares.

#### 4.3 Deflectores para accesorios de corte metálicos

Los siguientes símbolos pueden encontrarse en los deflectores diseñados para utilizarse con accesorios de corte metálicos:



El deflector no debe usarse en conjunto con las cabezas segadoras.



El deflector puede usarse en conjunto con las cuchillas para cortar pasto.



El deflector puede usarse en conjunto con las cuchillas para matorrales.



El deflector no debe usarse en conjunto con las cuchillas picadoras.



El deflector no debe usarse en conjunto con las sierras circulares.

#### 4.4 Faldilla

Cuando se utiliza un deflector diseñado para usarse con un accesorio de corte metálico o una cabeza segadora, la faldilla deberá montarse de modo seguro según las instrucciones impresas en la parte inferior del deflector antes de trabajar con una cabeza segadora.

Se puede encontrar el siguiente símbolo en la faldilla:



Este deflector puede usarse junto con cabezas segadoras.

## 4.5 Batería

Los símbolos de seguridad siguientes se encuentran en la batería de mochila serie AR y en la batería serie AP.




Para reducir el riesgo de lesiones, respete las medidas de seguridad especificadas.




Lea y respete todas las precauciones de seguridad dadas en el manual de instrucciones de la batería y en el manual de la herramienta STIHL que utiliza esta batería. El uso inadecuado puede provocar lesiones personales graves o mortales o daños a la propiedad.




Para reducir el riesgo de lesiones personales o daños a la propiedad debido a incendios, explosiones o quemaduras, incluidas las quemaduras químicas, no desarme, aplaste, deje caer, dañe o caliente la unidad a más de 100°C (212°F). Nunca la exponga al fuego ni la incinere,  7.



Para reducir el riesgo de lesiones personales o daños a la propiedad debido a un incendio, use y almacene la batería solo dentro de un rango de temperatura ambiente de -10°C a 50°C (14°F a 122°F),  7.


### Baterías tipo mochila AR 900, 1000, 2000, 3000



Para reducir el riesgo de lesiones personales o daños a la propiedad causados por un cortocircuito, un incendio o una explosión, mantenga la unidad seca. Protéjala contra la lluvia, el agua y las condiciones húmedas. Nunca la sumerja en agua u otros líquidos,  7.


### Baterías tipo mochila AR L



Para reducir el riesgo de lesiones personales o daños a la propiedad causados por un cortocircuito, un incendio o una explosión, mantenga la unidad seca. Nunca la sumerja en agua u otros líquidos,  7.

### Baterías serie AP



Para reducir el riesgo de lesiones personales o daños a la propiedad causados por un cortocircuito, un incendio o una explosión, mantenga la unidad seca. Nunca la sumerja en agua u otros líquidos,  7.

Las baterías se venden por separado.

## 5 INSTRUCCIONES IMPORTANTES DE SEGURIDAD

### 5.1 Advertencias e instrucciones de seguridad generales

Esta sección contiene las advertencias e instrucciones de seguridad generales prescritas para motoguadañas eléctricas manuales motorizadas. En secciones posteriores de este manual se proporcionan otras advertencias e instrucciones importantes.

## ⚠️ ADVERTENCIA

- Para reducir el riesgo de incendios, choques eléctricos y lesiones, cuando use motoguadañas eléctricas, siempre siga las precauciones de seguridad básicas, entre las que se incluyen las siguientes:

### LEA TODAS LAS INSTRUCCIONES ANTES DE USAR LA MOTOGUADAÑA

- 1) Evite los entornos peligrosos: no utilice motoguadañas en lugares húmedos ni mojados.
- 2) No use la máquina bajo la lluvia.
- 3) Mantenga alejados a los niños. Todas las demás personas deben mantenerse a una distancia prudencial de la zona de trabajo.
- 4) Use vestimenta apropiada: no lleve ropa suelta ni joyas. Podrían quedar atrapadas en las piezas en movimiento. Use guantes de trabajo gruesos (por ejemplo, de cuero o

de otro material resistente al desgaste) y calzado resistente cuando trabaje a la intemperie. Si tiene el pelo largo, cúbrase con una protección adecuada.

- 5) Use gafas de seguridad. Siempre utilice una máscara o mascarilla contra el polvo cuando trabaje en un lugar polvoriento.
- 6) Utilice la herramienta apropiada para el trabajo. No use una herramienta con fines distintos de los previstos para ella.
- 7) Evite los arranques accidentales: no transporte la motoguadaña con el dedo sobre el gatillo. Asegúrese de que la motoguadaña está apagada cuando inserte la batería.
- 8) No fuerce la motoguadaña: funciona mejor y con menos riesgo de lesiones si se usa a la velocidad para la que fue diseñada.
- 9) No extienda los brazos más allá de lo necesario: mantenga el equilibrio y los pies bien apoyados en todo momento.
- 10) Permanezca alerta: preste atención a lo que está haciendo. Aplique el sentido común. No maneje la motoguadaña cuando esté cansado.
- 11) Guarde la motoguadaña bajo techo: cuando no utilice la motoguadaña, guárdela bajo techo, en un lugar seco y bajo llave, fuera del alcance de los niños y sin la batería.
- 12) Cuide la motoguadaña: mantenga el accesorio de corte limpio para obtener el mejor rendimiento y para reducir el riesgo de lesiones. Siga las instrucciones cuando lubrique la máquina y cambie sus accesorios. Mantenga los mangos secos, limpios y libres de aceite y grasa.
- 13) Revise las piezas dañadas: antes de seguir usando la motoguadaña, revise minuciosamente el protector o cualquier otra pieza que esté dañada para verificar que funcionarán correctamente y que cumplirán la función para la que están previstas. Compruebe la alineación de las piezas móviles y si estas tienen agarrotamiento; si hay piezas rotas, el montaje de las piezas y toda condición que pueda afectar su funcionamiento. Si un protector u

otra pieza tiene daños, deberá sustituirse o repararse debidamente en un centro de servicio autorizado, salvo que en este manual se indique lo contrario.

- 14) Mantenga los protectores en su lugar y en buenas condiciones.
- 15) Mantenga las cuchillas metálicas bien afiladas.
- 16) Mantenga las manos y los pies alejados de la zona de corte y del accesorio de corte.

## GUARDE ESTAS INSTRUCCIONES

### 5.2 Introducción

## ADVERTENCIA

- El uso de esta máquina puede ser peligroso. Si el hilo o la cuchilla giratoria llegan a entrar en contacto con su cuerpo, le ocasionará una cortadura. Si entra en contacto con un objeto macizo tal como rocas, vidrio o piezas metálicas, podría despedirlo o lanzarlo directa o indirectamente hacia donde se encuentren terceros o el operador. El contacto con dichos objetos puede dañar los accesorios de corte y puede hacer que las cuchillas se rompan, astillen o agrieten. Los objetos lanzados, incluso las cabezas o las cuchillas rotas, pueden provocar lesiones graves o mortales al operador o a personas que se encuentren en su proximidad. Tal como se explicará a continuación en este manual, para reducir el riesgo de lesión personal:
  - Asegúrese de que su máquina esté equipada con el mango, el arnés el deflector adecuados para el tipo de accesorio de corte que se está utilizando.
  - Utilice exclusivamente los accesorios de corte autorizados específicamente por STIHL para usar en su modelo de motoguadaña.
- No preste ni alquile nunca su motoguadaña sin entregar el manual de instrucciones. Asegúrese de que todas las personas que utilicen el dispositivo hayan comprendido la información que contiene este manual. Pida a su concesionario que le enseñe el manejo de la motoguadaña. Respete todas las leyes, disposiciones, reglamentos y normas del caso.

### 5.3 Uso previsto

## **▲ ADVERTENCIA**

- Si se monta con una cabeza segadora o con una cuchilla para pasto, esta motoguadaña / desmalezadora puede usarse para cortar pasto denso, maleza y vegetación similar. Si se monta con una cuchilla para matorrales, se puede usar para cortar pasto denso, maleza, matorrales, arbustos y vegetación similar con un diámetro máximo de 0,8 in. (20 mm).
  - No se debe usar con ningún otro fin.
- Un uso indebido podría causar lesiones o daños materiales, incluidos daños en la herramienta motorizada.
  - Utilice la herramienta motorizada y la batería únicamente como se describe en este manual.
  - Nunca intente modificar ni anular en modo alguno los controles ni los dispositivos de seguridad de la motoguadaña / desmalezadora.
  - Nunca utilice una motoguadaña / desmalezadora que haya sido modificada o alterada, apartándose de su diseño original.
  - Asegúrese de leer y respetar las advertencias y las instrucciones de la batería y del cargador antes de iniciar la carga o de empezar a trabajar.
- Esta herramienta motorizada se puede alimentar con una batería de la gama STIHL AP. Como alternativa, puede recibir alimentación de una batería tipo mochila de la gama STIHL AR en combinación con un adaptador AP.

Las baterías, los cargadores y otros accesorios se venden por separado.

### 5.4 Operador

## **▲ ADVERTENCIA**

- El uso de una herramienta motorizada puede ser fatigoso. El operador debe hallarse en buenas condiciones tanto físicas como mentales. Para reducir el riesgo de lesiones personales causadas por fatiga o pérdida del control:
  - Consulte con su médico antes de trabajar con una herramienta motorizada si usted padece de alguna condición de salud que pudiera ser agravada por el trabajo extenuante.
  - No utilice la herramienta motorizada si se encuentra bajo la influencia de alguna sustancia (drogas, alcohol o medicamentos, etc.) que pudiera perjudicar su visión, equilibrio, destreza o criterio.
  - Esté alerta. No use la herramienta motorizada si está cansado. Tómese un descanso si se siente cansado.
  - No permita que menores de edad utilicen la herramienta motorizada.
- Según los conocimientos actuales de STIHL, el motor eléctrico de esta herramienta motorizada no debería interferir con un marcapasos.
  - Sin embargo, las personas con marcapasos u otro dispositivo médico implantado deben consultar a su médico y al fabricante del dispositivo antes de utilizar esta herramienta motorizada.

### 5.5 Equipos de protección personal

## **▲ ADVERTENCIA**

- Hasta un deflector debidamente instalado y ajustado podría no proteger al operador de todos los objetos lanzados o despedidos por el accesorio de corte. Los

objetos arrojados o lanzados por el accesorio también pueden rebotar y golpear al operador. Para reducir el riesgo de lesiones personales:

- Siempre use ropa adecuada y trajes protectores, incluidas gafas protectoras adecuadas.
- Se podría causar la pérdida de control y cortaduras graves si el cabello, la ropa o la vestimenta entran en contacto con el accesorio de corte o de otra manera sean atrapados por los componentes de la motoguadaña / desmalezadora. Para reducir el riesgo de lesiones personales graves:



- Use ropa resistente y ajustada que permita una completa libertad de movimiento.
- Use monos o pantalones largos hechos de un material grueso para protegerse las piernas. No use pantalones cortos.

- Evite el uso de chaquetas sueltas, bufandas, corbatas, pantalones acampanados o con vueltas, joyas o cualquier otra vestimenta que pueda engancharse en las ramas, matorrales o el accesorio de corte en movimiento.
- Sujétese el cabello por encima de los hombros antes de empezar a trabajar.

- Para reducir el riesgo de lesiones oculares:



- Siempre utilice gafas o anteojos protectores bien ajustados con protección lateral resistentes a impactos y que porten designaciones que indiquen que cumplen con la norma ANSI Z87 «+».
- Si existe el riesgo de lesionarse el rostro, STIHL recomienda usar también una careta o protector facial adecuado sobre las gafas o anteojos de seguridad. Al trabajar con un accesorio de corte metálico, utilice siempre un protector facial.
- Usar un casco aprobado si existe un riesgo de lesionarse la cabeza.

- Es muy importante tener una buena superficie de apoyo para los pies. Para ayudar a mantener un punto de apoyo seguro y reducir el riesgo de lesiones mientras trabaja:



- Póngase un calzado sólido con suela antideslizante. Nunca use sandalias, ojotas, zapatos que dejen los dedos descubiertos ni calzado de ese tipo. Al trabajar con un accesorio de corte metálico, utilice botas de seguridad con punta de acero.

- Para mejorar el manejo y ayudar a proteger las manos:



- Siempre use guantes gruesos y antideslizantes de cuero o de otro material resistente al desgaste al manipular la motoguadaña / desmalezadora.
- Use siempre guantes resistentes al montar o manipular un accesorio de corte metálico.

## 5.6 Motoguadaña / desmalezadora

### ⚠ ADVERTENCIA

- Para reducir el riesgo de descarga eléctrica:
  - No sumerja la herramienta motorizada en agua ni en ningún otro líquido.
  - Guarde la herramienta motorizada bajo techo.
- Si el accesorio de corte en movimiento llega a tener contacto con su persona, le provocará laceraciones graves. Para reducir el riesgo de que se produzcan este tipo de lesiones:
  - Mantenga las manos, los pies y cualquier otra parte de su cuerpo lejos del accesorio de corte.
  - Nunca toque con las manos ni con ninguna parte del cuerpo el accesorio de corte en movimiento.
  - Nunca utilice la motoguadaña / desmalezadora si el deflector está dañado o no está montado.

- Para reducir el riesgo de que el operador o terceras personas sufran lesiones provocadas por contacto con la cuchilla, con el hilo o con objetos que salen despedidos:



- Asegúrese que su máquina está equipada con el deflector, el mango y el arnés adecuados para el tipo de accesorio de corte que va a utilizar. Mantenga el deflector y la faldilla, si la hubiera, bien ajustados en todo momento.

- El uso de algunos accesorios de corte le obligará a cambiar el deflector, la barra de defensa y/o el arnés. Consulte el capítulo 25 de este manual para ver las configuraciones aprobadas de accesorio de corte, deflector, mango y arnés.

- Para reducir el riesgo de que el operador o las personas que se encuentran cerca sufran lesiones:



- Siempre suelte el gatillo y retire la batería antes de armar, transportar, ajustar, inspeccionar, limpiar, reparar, mantener o guardar la motoguadaña / desmalezadora, y siempre que no se use.

- Nunca deje la herramienta motorizada desatendida con la batería colocada.

- Aunque algunos accesorios no autorizados podrían encajar con la motoguadaña / desmalezadora STIHL, su uso puede resultar extremadamente peligroso. Le recomendamos que utilice únicamente accesorios suministrados por STIHL o expresamente autorizados por STIHL para el uso con este modelo específico.

- Use solo accesorios suministrados o expresamente aprobados por STIHL.
- Nunca modifique esta motoguadaña / desmalezadora en modo alguno.
- Nunca intente modificar ni anular en modo alguno los controles ni los dispositivos de seguridad de la motoguadaña / desmalezadora.

- Nunca utilice una motoguadaña / desmalezadora que haya sido modificada o alterada, apartándose de su diseño original.

- Para obtener una lista de accesorios de corte autorizados por STIHL para el uso con su máquina, junto con las configuraciones aprobadas de deflector, mango y arnés, consulte el capítulo 25 de este manual de instrucciones, o el catálogo "Accesorios de corte, piezas y accesorios" de STIHL, disponible de su concesionario o en [www.stihlusa.com](http://www.stihlusa.com).

- Si la herramienta motorizada o la batería se caen o sufren un impacto similar:

- Asegúrese de que no se ha dañado, de que está en buenas condiciones y de que funciona correctamente antes de reanudar el trabajo.

- Verifique que los controles y los dispositivos de seguridad funcionan correctamente.

- Compruebe si los LED de la batería emiten algún mensaje de error, 23.

- Asegúrese de que la batería no se ha dañado. Nunca use ni cargue una batería que no funcione correctamente o que esté dañada, agrietada, deformada o pierda líquido.

- Nunca trabaje con una herramienta motorizada o con una batería que estén dañadas o no funcionen bien. Si tiene dudas, solicite a su concesionario de STIHL autorizado que revise la herramienta motorizada y la batería.

- Si la herramienta motorizada o la batería están dañadas, no funcionan correctamente, se han dejado a la intemperie o se han caído al agua o a otro líquido, sus componentes podrían no funcionar debidamente, y los

dispositivos de seguridad podrían haber quedado inoperantes. Para reducir el riesgo de lesiones y de daños materiales:

- Lleve la herramienta motorizada y la batería a su concesionario autorizado de STIHL para que las revisen antes de seguir utilizándolas.
- Los repuestos auténticos de STIHL se han diseñado específicamente para su herramienta motorizada, y satisfacen los requisitos de seguridad y de rendimiento correspondientes. El uso de piezas no autorizadas o no aprobadas por STIHL puede provocar lesiones graves o mortales, así como daños materiales.
  - STIHL recomienda utilizar únicamente repuestos de STIHL idénticos a las piezas originales.

## 5.7 Uso de la motoguadaña / desmalezadora

### 5.7.1 Antes de usar

# ⚠ ADVERTENCIA

- Un uso inadecuado o no autorizado puede causar lesiones y daños materiales.
  - Utilice la motoguadaña / desmalezadora únicamente como se describe en este manual de instrucciones.
- El accesorio de corte y el deflector deben formar una combinación aprobada.




- No use discos de sierra en esta motoguadaña / desmalezadora.
- Lea y siga las instrucciones sobre cómo seleccionar el accesorio de corte y el deflector correctos, 25.
- El accesorio de corte debe instalarse y ajustarse correctamente antes de empezar a trabajar. Si no se utilizan las piezas adecuadas para montar el accesorio de

corte, la cuchilla o la cabeza segadora podrían salir despedidas y causar lesiones graves al operador o a las personas que se encuentren en los alrededores.

- Lea y siga las instrucciones de montaje del accesorio de corte, del deflector y del mango, 12.
- Nunca monte un accesorio de corte en la motoguadaña / desmalezadora si no ha instalado antes correctamente todas las piezas (por ejemplo: tuercas, tornillos, arandelas de empuje, placas de empuje, etc.).
- Antes de empezar a trabajar, compruebe si hay piezas flojas (tuercas, tornillos, etc.), cabezas agrietadas o dañadas o cuchillas agrietadas, combadas, deformadas o dañadas.
- Si alguna cabeza o cuchilla está dañada o muy gastada, cámbiela antes de usar la herramienta motorizada.
- Asegúrese de mantener los accesorios de corte metálicos siempre bien afilados.
- Utilizar únicamente una combinación de accesorio de corte y deflector aprobada es extremadamente importante para garantizar el máximo desempeño de corte y para reducir el riesgo de lesiones personales causadas por objetos que salen despedidos o por contacto con el accesorio de corte.
  - Para reducir el riesgo de lesiones graves, nunca use un hilo de alambre o reforzado con metal ni ningún otro material en lugar del hilo de corte de nilón recomendado. Podrían desprenderse pedazos de alambre, que podrían salir despedidos a gran velocidad contra el operador o contra otras personas.
- El uso de una motoguadaña / desmalezadora que se ha modificado, que está dañada, mal ajustada o no se ha mantenido debidamente, o que no se ha montado por




completo y de forma segura, puede derivar en un fallo de funcionamiento y aumentar el riesgo de lesiones personales graves o mortales.

- Nunca utilice una motoguadaña / desmalezadora que haya sido modificada, que esté dañada o mal mantenida, o que no se haya montado completamente y de forma segura.
  - Verifique siempre que la unidad está en buenas condiciones y que funciona correctamente antes de empezar a usarla; preste especial atención al pestillo de retención, al bloqueo del gatillo, al gatillo, al deflector, al arnés y al accesorio de corte.
  - Asegúrese de que el pestillo de retención, el bloqueo del gatillo y el gatillo se mueven libremente, y de que regresan siempre a su posición cuando los suelta. El gatillo no debe engancharse hasta que se pulse el bloqueo del gatillo.
  - Nunca intente modificar ni anular en modo alguno los controles ni los dispositivos de seguridad.
  - El accesorio de corte debe engranar solo cuando está colocada la batería, se ha desplazado hacia delante el pestillo de retención y se han presionado el bloqueo del gatillo y el gatillo.
  - Si su motoguadaña / desmalezadora o alguno de sus componentes, incluida la batería, ha sufrido daños o no funciona debidamente, lleve la unidad a su concesionario de servicio autorizado de STIHL. No utilice la unidad si no se ha solucionado el problema.
- Antes de colocar la batería:
- Compruebe si hay corrosión o materias extrañas de otro tipo en los contactos eléctricos del compartimiento para la batería. Manténgalos limpios.
  - Nunca inserte ni use una batería que esté defectuosa, dañada, agrietada o deformada, o que pierda líquido.
  - Lea y respete las instrucciones de encendido de la herramienta motorizada,  15.1.

- Para reducir el riesgo de lesiones graves o mortales provocadas por un arranque accidental:

- Antes de insertar la batería, asegúrese de que el bloqueo del gatillo está en la posición de bloqueo y el gatillo, en la posición de apagado.
- Nunca acarree la unidad con el dedo en el gatillo.
- Suelte el gatillo antes de quitar la batería.



- Retire la batería antes de armar, transportar, ajustar, inspeccionar, limpiar, reparar, mantener o guardar la motoguadaña / desmalezadora, y siempre que no esté en uso.
  - Nunca deje la herramienta motorizada desatendida con la batería colocada.
  - Nunca guarde la batería en la motoguadaña / desmalezadora.
- Antes de encender su motoguadaña / desmalezadora, dé los pasos que figuran a continuación para reducir el riesgo de lesiones causadas por objetos que salen despedidos, por la pérdida del control sobre la máquina o por contacto accidental con el accesorio de corte:
- Asegúrese de mantener el accesorio de corte alejado de su cuerpo y de otros obstáculos y objetos, incluido el suelo.
  - Lea y siga a las instrucciones de encendido de la motoguadaña / desmalezadora,  15.1.

### 5.7.2 Sujeción y control de la motoguadaña / desmalezadora

## ADVERTENCIA

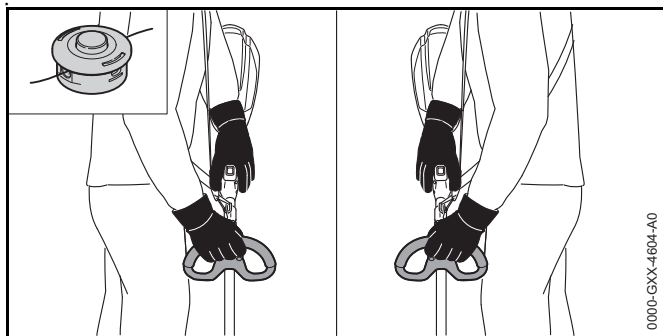
- Para sujetar con firmeza y poder controlar correctamente la motoguadaña / desmalezadora:
- Mantenga los mangos limpios y secos en todo momento. Protéjalos de la humedad, del alquitrán, del aceite, de la grasa y de la resina.
- Manejar la motoguadaña / desmalezadora con una sola mano es extremadamente peligroso, porque se puede perder el control sobre la máquina. Para reducir el riesgo

de que el operador o las personas de los alrededores sufran lesiones graves o mortales causadas por una pérdida de control:

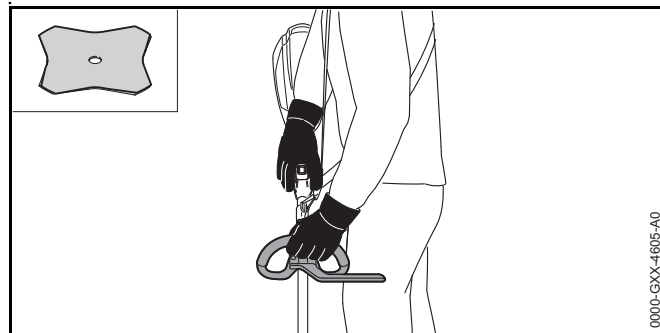


– Nunca intente manejar la motoguadaña / desmalezadora con una sola mano.

- Para reducir el riesgo de perder el control y sufrir lesiones graves o mortales, o provocárselas a las personas que se encuentran cerca:
  - Siempre sujete la herramienta motorizada firmemente con las dos manos cuando trabaje con ella.
  - Agarre firmemente los mangos con todos los dedos, manteniéndolos sujetos entre los dedos índice y pulgar (vea la ilustración).
  - Coloque la herramienta motorizada de modo que todas las partes de su cuerpo queden alejadas del accesorio de corte siempre que la batería esté colocada.
  - El operador debe usar un arnés, tal como se indica en este manual, 25



- Cuando se monta en la unidad un accesorio de corte metálico, el operador debe tomar precauciones especiales para reducir el riesgo de que se produzcan lesiones graves por una pérdida de control o por contacto accidental con la cuchilla:
  - El operador debe montar el deflector y la barra de defensa adecuados tal como se indica en este manual, 12.2 y 12.3.
  - El operador debe usar un arnés, 13.1.
  - Durante el funcionamiento, el operador debe sujetar el mango trasero con la mano derecha y el mango delantero, con la mano izquierda. Esto se aplica a todos los operadores, incluidos aquellos que sean zurdos. Trabajar con las manos en esta posición le permitirá controlar eficazmente las fuerzas reactivas que se producen cuando se trabaja con una cuchilla metálica.



- Si se trabaja con el accesorio de corte sobre el nivel del suelo o en perpendicular al suelo, aumenta el riesgo de lesiones causadas por objetos que salen despedidos. Además, en esta posición queda descubierta una mayor porción del accesorio de corte, lo que dificulta el control de la máquina y aumenta, por tanto, el riesgo de lesiones.

Para reducir el riesgo de lesiones graves o mortales provocadas por una pérdida del control o por objetos que salen despedidos:

- Mantenga el accesorio de corte a nivel del suelo, en paralelo al mismo.
- Para reducir el riesgo de que el operador o las personas de los alrededores sufran lesiones graves o mortales por contacto con el accesorio de corte:



- Mantenga las manos, los pies y cualquier otra parte de su cuerpo lejos del accesorio de corte.

- No toque nunca con las manos ni con ninguna otra parte del cuerpo un accesorio de corte en movimiento.

- No toque el accesorio de corte si la batería está colocada en la herramienta motorizada.

- Para reducir el riesgo de que el operador o las personas que se encuentran cerca sufran lesiones graves o mortales causadas por una pérdida de control, asegúrese de mantener el equilibrio y los pies bien apoyados en todo momento:
  - Asegúrese de mantener el equilibrio y de tener los pies bien apoyados en todo momento.
  - Tenga especial cuidado cuando trabaje en terrenos con mucha vegetación o húmedos, y preste atención siempre a posibles obstáculos ocultos como tocones, raíces, piedras, hoyos y zanjas.
  - Proceda con extrema precaución cuando trabaje en declives o en terrenos irregulares, ya que la batería puede alterar su centro de gravedad.
  - Para no perder la estabilidad, retire siempre las ramas caídas, los arbustos, el material cortado y cualquier otro objeto o vegetación que pueda aumentar el riesgo de resbalarse, tropezarse o caer.
  - Nunca trabaje con la máquina por encima del nivel de su cintura.
  - No extienda los brazos más de lo necesario.

- Mantenga la motoguadaña / desmalezadora equilibrada, para poder controlarla correctamente y fatigarse menos durante el uso.
  - Ajuste la posición del mango circular y del arnés para alcanzar y mantener una posición de trabajo cómoda y eficaz, 13.

### 5.7.3 Condiciones de trabajo

## ⚠ ADVERTENCIA

- Utilice la motoguadaña / desmalezadora solo a la luz del día y cuando las condiciones de visibilidad sean buenas.
  - Aplace el trabajo si hay mal tiempo, si hace viento, llueve o hay niebla.
- La motoguadaña / desmalezadora es una máquina que debe ser manejada por una sola persona.
  - No se debe permitir la presencia de otras personas, especialmente niños, ni de animales, en la zona en que se esté usando la máquina.
  - Apáguela de inmediato si se le acerca alguien.
- Para reducir el riesgo de que sufran lesiones las personas que se encuentran cerca o usuarios no autorizados:
  - Nunca deje la motoguadaña / desmalezadora desatendida si tiene la batería colocada.
  - Apague la máquina y retire la batería durante los descansos y siempre que la herramienta motorizada no se esté usando.
- Las chispas que genera la motoguadaña / desmalezadora durante el funcionamiento pueden encender gases, líquidos, vapores, polvos u otros materiales y sustancias combustibles. Para reducir el riesgo de incendio y explosión:
  - No utilice la motoguadaña / desmalezadora en un lugar en que haya gases, líquidos, vapores, polvos u otros materiales y sustancias combustibles.
  - Lea y respete las recomendaciones de las autoridades gubernamentales (por ejemplo, OSHA), para identificar y evitar los peligros que representan

los gases, líquidos, vapores o polvos combustibles, así como otros materiales y sustancias combustibles.

- Si una cuchilla metálica en movimiento choca contra una roca o contra otro objeto sólido, se pueden producir chispas capaces de encender materiales inflamables en determinadas circunstancias. Entre los materiales inflamables se incluyen la vegetación y los arbustos secos, en particular cuando el tiempo es cálido y seco.
  - Si existe riesgo de incendio, leve o grave, no use cuchillas metálicas cerca de materiales inflamables ni de vegetación o matorrales secos.
  - Póngase en contacto con las autoridades locales de control de incendios o con el servicio forestal de los EE.UU. si tiene dudas sobre si las condiciones de la vegetación y del tiempo son adecuadas para el uso de una cuchilla metálica.
  - STIHL no recomienda el uso de cuchillas metálicas cuando se corte en zonas rocosas o que contengan desperdicios u objetos que puedan producir chispas.
- El uso de esta motoguadaña / desmalezadora puede generar polvo y otras sustancias que contengan químicos conocidos como causantes de problemas respiratorios, cáncer, defectos congénitos u otros trastornos reproductivos.
  - Infórmese en agencias gubernamentales como EPA, OSHA, CARB y NIOSH y en otras fuentes autorizadas sobre materiales peligrosos si desconoce los riesgos asociados con las sustancias concretas que va a cortar o con las que va a trabajar.
- La inhalación de determinados polvos, y especialmente de polvos orgánicos como el moho o el polen, puede provocar reacciones alérgicas o asmáticas en personas sensibles a estas sustancias. La inhalación repetida o en grandes cantidades de polvo o de otros contaminantes

suspendidos en el aire, y especialmente de las partículas más pequeñas, puede causar enfermedades respiratorias o de otro tipo.

- Controle el polvo en su origen siempre que sea posible.
  - En la medida de lo posible, utilice la motoguadaña / desmalezadora de modo que el viento o el propio proceso de trabajo dirijan cualquier polvo, rocío u otras partículas generadas por la motoguadaña / desmalezadora en dirección contraria al operador.
  - Si no es posible mantener el polvo y otras partículas inhalables a niveles de fondo o aproximadamente de fondo, siempre utilice una mascarilla aprobada por NIOSH que reúna las características adecuadas para las condiciones específicas de la zona de trabajo. Siga las recomendaciones de las entidades gubernamentales (por ejemplo, OSHA/NIOSH), y de las asociaciones laborales y comerciales.
- Si la vegetación que corta o el terreno de los alrededores están cubiertos por una sustancia química, como un pesticida o un herbicida:
    - Lea y respete las instrucciones y las advertencias que se adjuntan con la sustancia que se ha rociado sobre la vegetación o sobre el suelo de los alrededores.

#### 5.7.4 Instrucciones de manejo

### ADVERTENCIA

- En caso de emergencia:
  - Apague el motor de inmediato y retire la batería.
- El accesorio de corte sigue girando durante un período breve una vez que se suelta el gatillo. Es lo que se conoce como "efecto de volante". Para reducir el riesgo de lesiones graves por contacto con el accesorio de corte:
  - Espere a que el accesorio de corte se detenga antes de caminar acarreado la máquina o de colocarla en el suelo.



- Cuando gira, el accesorio de corte puede lanzar objetos extraños a gran distancia, directa o indirectamente. Los objetos lanzados, entre los que se pueden incluir accesorios de corte rotos, pueden causar lesiones graves o mortales al operador o a personas que se encuentren cerca. Para reducir el riesgo de lesiones graves:



- Revise la zona de trabajo. Retire piedras, vidrios, rocas, piezas metálicas y otros objetos que pudieran ser lanzados por el accesorio de corte, dañar el accesorio de corte o causar daños materiales (p. ej., a vehículos estacionados o ventanas).



- STIHL no recomienda el uso de cuchillas rígidas cuando se corte en áreas rocosas o en zonas en las que haya basura u otros objetos que el accesorio de corte podría lanzar despedidos.



- Lleve siempre una protección adecuada para los ojos y asegúrese de no hay nadie a una distancia de menos de 50 pies de la zona de trabajo (15 m). Todas las personas que deban ingresar al área restringida también deberán usar una protección adecuada para los ojos.
- Para reducir el riesgo de que se produzcan daños materiales, mantenga esta distancia también con respecto a vehículos y ventanas.
- Guardar una distancia mínima de 50 pies (15 m) no elimina por completo el riesgo de lesiones y de daños materiales provocados por los objetos que salen lanzados.
- Apague el motor de inmediato si alguna persona se le acerca mientras está trabajando con la motoguadaña / desmalezadora.

- Su motoguadaña / desmalezadora está equipada con un deflector. Para reducir el riesgo de que se produzcan lesiones causadas por objetos lanzados y por contacto con el accesorio de corte:



- Nunca utilice la motoguadaña / desmalezadora si el deflector está dañado o no está montado.
- El accesorio de corte y el deflector deben formar una combinación aprobada.
- Mantenga el deflector ajustado correctamente en todo momento.
- El uso de alambres, hilos reforzados con metal u otros accesorios de corte no aprobados no está autorizado y puede ser extremadamente peligroso.
  - Nunca use hilos de metal ni reforzados con metal en esta motoguadaña / desmalezadora. Emplee solo los accesorios de corte que se recomiendan en este manual, y combínelos con el deflector recomendado. Consulte el capítulo “Combinaciones de deflectores y accesorios de corte”, 25.
- Para reducir el riesgo de lesiones graves provocadas por un arranque accidental de la máquina:



- No toque el accesorio de corte ni la cabeza segadora con la mano, con los pies ni con ninguna otra parte del cuerpo cuando la batería está colocada, aunque el accesorio de corte no esté girando. Mantenga una distancia de como mínimo 50 pies (15 m) con respecto a las personas que estén en los alrededores.



- Apague el motor y retire la batería antes de revisar la cabeza segadora, el accesorio de corte o el deflector. Elimine la suciedad, el pasto, la maleza y cualquier otro material extraño de la cabeza segadora o de la cuchilla y del deflector a intervalos regulares, pero solo después de haber retirado la batería.

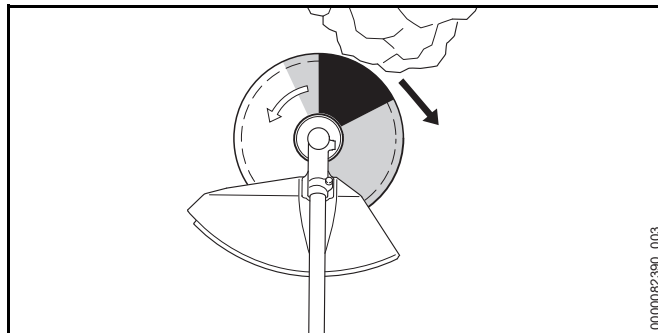
- Un accesorio de corte dañado o flojo puede vibrar, agrietarse, romperse o desprenderse durante el funcionamiento, lo que puede provocar lesiones graves o mortales.
  - Asegúrese de que el accesorio de corte está correctamente apretado antes de empezar a trabajar.
  - Compruebe si el accesorio de corte está bien fijado y en buen estado antes de empezar a trabajar, y siempre que advierta que el comportamiento de corte cambia durante el uso. Siempre apague el motor, espere a que el accesorio de corte se detenga y retire la batería antes de revisar la motoguadaña / desmalezadora o su accesorio de corte.
  - Si el accesorio de corte se afloja después de haberlo apretado correctamente, interrumpa el trabajo de inmediato y lleve la máquina a un concesionario de servicio STIHL autorizado para que la inspeccionen.
- Un accesorio de corte agrietado, dañado o gastado podría despedazarse a altas velocidades y causar lesiones graves o mortales.
  - Si una cabeza segadora está agrietada, dañada o gastada, o si una cuchilla está agrietada, combada, deformada, dañada, roma o gastada, sustitúyala inmediatamente, aunque el daño parezca estar limitado a fisuras superficiales.
  - Nunca use una motoguadaña / desmalezadora con un accesorio de corte flojo o averiado.



- Nunca utilice esta motoguadaña cerca de alambres o de cables que puedan tener corriente eléctrica. Preste atención y compruebe si hay alambres o cables ocultos antes de empezar a trabajar.
- No confíe en el aislamiento de la motoguadaña contra choques eléctricos, aunque sujete la herramienta motorizada por las superficies de agarre aisladas.

## 5.8 Uso de los accesorios de corte

### 5.8.1 Expulsión (disparo de la cuchilla) con todos los accesorios de corte metálicos



## ⚠ PELIGRO

- Para reducir el riesgo de electrocución:

## ⚠ ADVERTENCIA



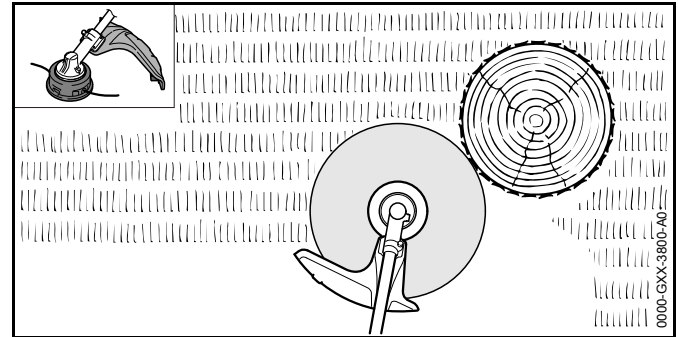
La expulsión (disparo de la cuchilla) es el movimiento repentino e incontrolado de la cabeza segadora hacia el lado derecho del operador o hacia atrás que puede ocurrir cuando las zonas sombreadas (en particular, las marcadas con sombreado oscuro), de una cuchilla giratoria chocan contra un objeto sólido y rígido, como un árbol, una roca, un arbusto o una pared. El accesorio de corte puede salir despedido hacia la derecha o hacia atrás (flecha negra) si la rápida rotación de la cuchilla se detiene, o si la cuchilla se ralentiza o queda enganchada o atascada en un objeto que no se corta de inmediato.

- Esta expulsión (disparo de la cuchilla) puede provocar la pérdida de control y causar al usuario o a terceras personas lesiones graves o mortales. Para reducir el riesgo de lesiones, se debe proceder con extrema precaución cuando se corte con la zona sombreada de cualquier cuchilla rígida (véase la ilustración).
- Cuanto más fuerte sea la expulsión, más difícil le resultará al operador mantener el control sobre la máquina. Es más probable que se produzca una sacudida de la cuchilla en áreas en las que es difícil ver el material que se está cortando.
- Son muchos los factores que influyen en la frecuencia con que se produce una expulsión, así como en la intensidad de la misma. Entre ellos se incluyen la velocidad del accesorio de corte, la velocidad a la que el accesorio de corte entra en contacto con el objeto, el punto y el ángulo

de contacto, el estado del accesorio de corte y la rapidez con la que el accesorio de corte se ralentiza, queda enganchado o se detiene.

- Proceda con precaución cuando trabaje con las zonas sombreadas de cualquier accesorio de corte metálico.
- Para reducir el riesgo de lesiones personales provocadas por una expulsión o por una sacudida de la cuchilla cuando se usa un accesorio de corte rígido:
  - Evite cortar cerca de vallas, paredes de edificios, troncos de árbol y objetos semejantes cuando utilice una cuchilla metálica. Para este tipo de trabajos, STIHL recomienda usar cabezas con hilo de nilón.
  - Mantenga los accesorios de corte metálicos bien afilados.
  - Asegúrese de que no hay nadie a un radio de como mínimo 50 pies (15 m) de la zona de trabajo.

### 5.8.2 Uso de una cabeza segadora



- ▶ Al trabajar, mueva la motoguadaña de un lado a otro de manera controlada, en sentido paralelo con respecto al suelo delante de usted.

Las cabezas segadoras solo deben usarse en máquinas provistas con una cuchilla limitadora del hilo montada en el deflector a fin de que el hilo tenga la longitud correcta. Al recortar a lo largo de un vallado, pared o alrededor de los árboles, es preferible usar una cabeza segadora con hilo de

nilón para reducir el riesgo de disparo o expulsión de la cuchilla, el daño del accesorio de corte y reducir el daño al vallado, la pared o los árboles.

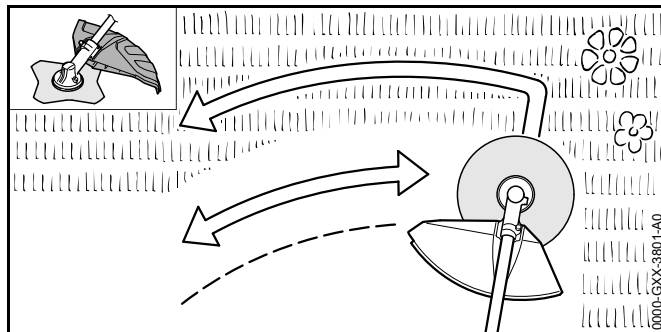
## ⚠ ADVERTENCIA

- Para reducir el riesgo de lesiones graves:
  - Nunca use un hilo de alambre o reforzado con metal ni ningún otro material en lugar del hilo de corte de nilón recomendado. Es posible que unos pedazos de alambre se desprendan y se expulsen a gran velocidad contra el operador o los espectadores.
- Una cabeza segadora agrietada, dañada o gastada podría despedazarse a altas velocidades y causar lesiones graves o mortales.
  - Sustituya una cabeza segadora que presente roturas, daños o desgaste de inmediato, aun si el daño pareciera estar limitado a fisuras superficiales.
- Al trabajar cerca de vallados, edificios, troncos de árboles, u otros objetos similares, tenga en cuenta que aumenta la posibilidad de que ocurran rebotes.



- Tome la precaución de despejar la zona de todos los objetos y residuos antes de recortar a lo largo de vallados o paredes, cerca de troncos de árboles o de otros objetos que podrían aumentar la posibilidad de lesiones causadas por el rebote de objetos lanzados.

### 5.8.3 Uso de una cuchilla para pasto



- ▶ Cuando trabaje con una cuchilla para pasto, mueva la motoguadaña de un lado a otro de manera controlada, en paralelo al suelo frente a usted. Para reducir el riesgo de expulsión, use el lado izquierdo de la cuchilla.

Con una cuchilla para pasto se puede cortar todo tipo de pasto y maleza.

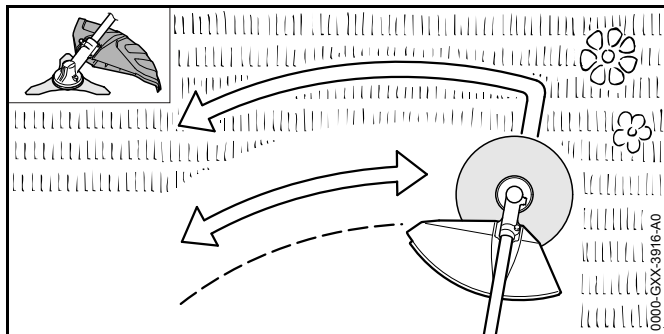
- La cuchilla para pasto de 4 dientes está diseñada para cortar pasto y maleza. Tiene 4 cuchillos con filo en los dos lados, esto es, en las partes delantera y trasera. Cuando los filos de corte de un lado quedan romos, la cuchilla se puede dar la vuelta para utilizar los filos de corte del otro lado antes de afilarla.
- La cuchilla para pasto de 8 dientes se recomienda para cortar helechos y vegetación fresca similar. Cuando los filos de corte de un lado quedan romos, deben afilarse de nuevo. La cuchilla no puede invertirse para utilizar los filos del otro lado.



## ⚠ ADVERTENCIA

- Un uso incorrecto de la cuchilla para pasto puede causar grietas, picaduras o roturas. Los fragmentos de cuchilla que salen despedidos pueden provocar lesiones graves o mortales al operador o a las personas de los alrededores. Para reducir el riesgo de lesiones:
  - Evite el contacto con objetos extraños duros y sólidos, como piedras, vidrio, rocas o piezas metálicas.
  - Revise la cuchilla para pasto con regularidad y con frecuencia y compruebe si presenta daños. No siga trabajando con una cuchilla para pasto que esté dañada.
  - Afíle la cuchilla para pasto como se describe en el embalaje o en el manual de instrucciones de la misma.
  - Nunca intente cortar materiales parecidos a la madera con la cuchilla para pasto.

### 5.8.4 Uso de una cuchilla para matorrales



- ▶ Al trabajar con una cuchilla para matorrales, mueva la motoguadaña de un lado a otro de manera controlada, en sentido paralelo con respecto al suelo delante de usted. Para reducir el riesgo de un contragolpe, use el lado izquierdo de la cuchilla.

La cuchilla para matorrales es adecuada para situaciones que van desde el corte de pasto enmarañado hasta la eliminación de malezas, plantas silvestres y matorrales.

## ⚠ ADVERTENCIA

- El uso incorrecto de una cuchilla para matorrales puede hacer que ésta se rompa, se descascarille o se despedace. Las piezas de cuchilla lanzadas pueden causar lesiones graves o mortales al operador o a terceros. Para reducir el riesgo de lesiones:
  - Evite el contacto con objetos duros y macizos tales como piedras, vidrio, roas o piezas metálicas.
  - Inspeccione la cuchilla para matorrales a intervalos periódicos y cortos en busca de daños. No continúe trabajando con una cuchilla para matorrales que esté dañada.
  - Vuelva a afilar la cuchilla para matorrales regularmente como se describe en el envase o en el folleto de instrucciones.
  - Al cortar tallos jóvenes y otros materiales parecidos a la madera de hasta 2 cm (0,8 pulg) de diámetro, utilice el lado izquierdo de la cuchilla para evitar situaciones de "expulsión".
  - Nunca intente cortar materiales con contextura de madera de diámetros superiores, puesto que la cuchilla para matorrales podría engancharse en el material y tirar de la máquina hacia delante.

## 6 Mantenimiento, reparación y almacenamiento

### 6.1 Advertencias e instrucciones

#### ⚠ ADVERTENCIA

- La herramienta motorizada y la batería no contienen piezas que el usuario esté autorizado a reparar. Para reducir el riesgo de incendios, descargas eléctricas o lesiones de otro tipo, así como de daños materiales:
  - Los usuarios deben realizar únicamente los trabajos de mantenimiento y limpieza que se describen en este manual.
  - Respete escrupulosamente las instrucciones de limpieza y mantenimiento que se dan en las secciones correspondientes de este manual de instrucciones.
  - Nunca intente reparar un accesorio de corte dañado o roto. Esto puede provocar el desprendimiento de piezas rotas y causar lesiones graves o mortales.
  - Use guantes resistentes y antideslizantes para manipular accesorios de corte metálicos.
  - STIHL recomienda encargar todos los trabajos de reparación o reemplazo a un concesionario de servicio de STIHL autorizado.
- Un arranque accidental puede provocar lesiones o daños materiales. Para reducir el riesgo de lesiones y de daños materiales a causa de un arranque accidental:



- Retire la batería antes de inspeccionar la motoguadaña / desmalezadora o de llevar a cabo trabajos de limpieza, mantenimiento o reparación, antes de almacenar la herramienta motorizada y siempre que no esté en uso.

- El uso de piezas no autorizadas o no aprobadas por STIHL puede provocar lesiones graves o mortales, así como daños materiales.
  - STIHL recomienda utilizar únicamente repuestos de STIHL idénticos a las piezas originales.
- Para reducir el riesgo de lesiones graves o mortales provocadas por un accesorio de corte flojo o dañado:
  - Mantenga las cuchillas afiladas.
  - Después de usar la máquina, apriete siempre todas las tuercas, los pernos y los tornillos.
  - Nunca repare accesorios de corte dañados aplicándoles soldadura, enderezándolos o modificando su forma. Sustituya siempre un accesorio de corte dañado antes de usarlo.
- La caja de engranajes se calienta durante el funcionamiento de la máquina. Para reducir el riesgo de lesiones por quemadura:



- Espere a que la caja de engranajes se enfríe antes de inspeccionarla o lubricarla y antes de cambiar un accesorio de corte o un deflector. Evite tocar la caja de engranajes cuando esté caliente luego del funcionamiento.
- Un almacenamiento incorrecto puede resultar en el uso de la máquina por parte de personas no autorizadas, o provocar daños en la herramienta motorizada; además, aumenta el riesgo de incendios, descargas eléctricas y lesiones personales, así como de daños materiales.
  - Retire la batería de la herramienta motorizada antes de guardarla.
  - Nunca guarde la herramienta motorizada ni el cargador con la batería puesta.
  - Guarde la motoguadaña / desmalezadora y la batería en un lugar seco y seguro al no puedan acceder niños ni otras personas no autorizadas.
  - Nunca guarde la batería en la motoguadaña / desmalezadora, en el cargador, en un contenedor metálico ni en un envase junto con objetos metálicos (p. ej., presillas para papel, clavos, monedas, llaves).

- Si la batería se cae, puede provocar lesiones o daños materiales. Para evitar que la batería se caiga al sacarla:
  - Coloque la motoguadaña /desmalezadora sobre una superficie nivelada.
  - Tenga cuidado cuando saque la batería.

## 7 Seguridad de la batería

### 7.1 Advertencias e instrucciones

#### **⚠ ADVERTENCIA**

- Lea y respete las medidas de seguridad que figuran en la batería, así como todas las advertencias e instrucciones que se adjuntan con ella.
- El uso de baterías no autorizadas puede causar daños en la herramienta motorizada y provocar incendios, explosiones, lesiones personales y daños materiales.
  - Use únicamente baterías auténticas de las gamas AR o AP de STIHL con esta herramienta motorizada.
- La utilización de baterías de las gamas AR o AP de STIHL para cualquier fin que no sea alimentar los productos de STIHL podría ser extremadamente peligroso.
  - Use las baterías de las gamas AR y AP de STIHL solo para proporcionar alimentación a productos de STIHL compatibles.
- El uso de cargadores no autorizados puede causar daños en la batería y provocar incendios, explosiones, lesiones y daños materiales.
  - Para cargar las baterías de la gama AP de STIHL, utilice siempre cargadores STIHL AL 101, AL 300 o AL 500 auténticos.
  - Para cargar las baterías de mochila de la gama AR de STIHL, utilice siempre cargadores AL 300 o AL 500 de STIHL auténticos.
- La batería tiene funciones y dispositivos de seguridad que, de dañarse, pueden provocar que la batería genere calor, se rompa, pierda líquido, se incendie o explote.



- Nunca permita que la temperatura de la batería supere los 212 °F (100 °C).
- Nunca prenda fuego a la batería, ni la coloque sobre o junto a fuegos, estufas u otro tipo de objetos que alcancen temperaturas muy altas.
- Nunca use ni cargue una batería que no funcione correctamente, que esté dañada, agrietada, deformada o pierda líquido.
- Nunca abra, desmonte ni golpee la batería; no la deje caer ni la exponga a impactos fuertes o a daños de cualquier otro tipo.
- Nunca exponga la batería a microondas ni a presiones elevadas.
- Nunca introduzca objetos en las ranuras de ventilación de la batería.
- Las temperaturas extremas pueden hacer que la batería genere calor, se rompa, pierda líquido, se incendie o explote, lo que podría causar lesiones graves o fatales y daños materiales. La exposición a temperaturas no incluidas en el rango recomendado puede contribuir además a acortar la vida útil de la batería y a empeorar su rendimiento.



- Use y guarde la batería únicamente a una temperatura ambiente de entre 14 °F y 122 °F (-10 °C y 50 °C).
- Nunca guarde la batería en un lugar expuesto a la luz solar directa ni dentro de un vehículo si la temperatura exterior es elevada.

- Para reducir el riesgo de que se produzcan lesiones personales y daños materiales en caso de que la batería humee, emita un olor inusual o se caliente más de lo habitual durante el uso, la carga o el almacenamiento:
  - Deje de usar o de cargar de la batería inmediatamente. Póngase en contacto con las autoridades en caso de incendio o explosión.
- Para reducir el riesgo de que se produzca un cortocircuito, que podría causar, a su vez, una descarga eléctrica, un incendio o una explosión:



– Asegúrese de mantener secas las baterías de mochila AR 900, 1000, 2000, 3000 de STIHL. Protéjalas de la lluvia, del agua y de otros líquidos. Si llueve o el grado de humedad es muy elevado, cubra la batería AR 1000, 2000, 3000 de STIHL con la funda para lluvia antes de empezar a trabajar.



– Si una batería de la gama AP o AR L de STIHL ha estado expuesta a la lluvia durante el trabajo, sáquela de la herramienta y déjela secar bajo techo. Asegúrese de que está completamente seca antes de cargarla o de usarla.

– Nunca sumerja en agua ni en ningún otro líquido una batería de STIHL.

- Nunca puentee los terminales de la batería con alambres ni con otros objetos metálicos.
- Cuando no la esté usando, mantenga la batería alejada de objetos metálicos (p. ej., presillas para papel, clavos, monedas, llaves).
- Nunca transporte ni guarde la batería en un recipiente de metal.
- Guarde la batería bajo techo, en un lugar seco.
- Nunca guarde la batería en entornos húmedos o corrosivos, ni en condiciones que podrían provocar corrosión en los componentes metálicos.



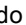
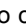







- Proteja la batería de la exposición a productos corrosivos, como las sustancias químicas utilizadas en el jardín o las sales descongelantes.
- Proteja la batería de la exposición a líquidos conductores como el agua salada.
- No intente reparar, abrir ni desmontar la batería. No contiene ninguna pieza que el usuario pueda reparar sin ayuda.

- El líquido que contiene la batería, y que puede derramarse en determinadas circunstancias, es potencialmente nocivo y puede provocar irritaciones en los ojos y en la piel, quemaduras químicas y otras lesiones graves.
  - Evite el contacto con la piel y con los ojos.
  - Para recoger el líquido de batería derramado, use un producto absorbente inerte, como la arena.
  - En caso de contacto accidental, limpie inmediatamente y a fondo la zona afectada con un jabón suave y agua.
  - Si le entra líquido de batería en los ojos: no se los frote. Aclárese los ojos con agua corriente durante al menos 15 minutos y acuda al servicio médico más cercano.
- Si la batería se prende fuego, puede resultar peligrosa. Para reducir el riesgo de que se produzcan lesiones personales graves y daños materiales, en caso de incendio:
  - Evacue la zona. El fuego se puede extender rápidamente. Manténgase lejos de cualquier vapor que se genere y respete una distancia de seguridad suficiente.
  - Avise a los bomberos.
  - Aunque se puede usar agua para apagar un incendio de batería, es preferible utilizar un extintor de incendios de polvo químico multiuso.
  - El cuerpo de bomberos le informará sobre la forma adecuada de deshacerse de una batería incendiada.

## 8 Antes de empezar a trabajar

### 8.1 Preparación de la motoguadaña /desmalezadora para el funcionamiento

Antes de empezar a trabajar:

- ▶ Cargue por completo la batería,  9.
- ▶ Coloque el mango circular,  12.1.
- ▶ Monte un deflector que esté aprobado para el uso con el accesorio de corte que va a utilizar,  12.3.1 y  25.
- ▶ Monte una cabeza segadora, una cuchilla para pasto o una cuchilla para matorrales que esté aprobada,  12.4.1 o  12.5.1 y  25.
- ▶ Si usa un accesorio de corte metálico, instale la barra de defensa,  12.2.
- ▶ Póngase el arnés y ajústelo,  13.1.
- ▶ Ajuste el mango circular,  13.2.
- ▶ Compruebe si los controles funcionan correctamente y si están en buen estado,  16.

## 9 Carga de la batería

### 9.1 Preparación del cargador para el funcionamiento

#### ADVERTENCIA

Lea y atégase a las precauciones de seguridad dadas en la batería y en el cargador y todas las advertencias e instrucciones que acompañan a dichos productos. Para reducir el riesgo de cortocircuito, que podría provocar una descarga eléctrica, un incendio y una explosión, asegúrese de que el cargador y sus componentes estén secos y no estén dañados; opere el cargador puertas adentro a la temperatura ambiente adecuada.

#### ADVERTENCIA

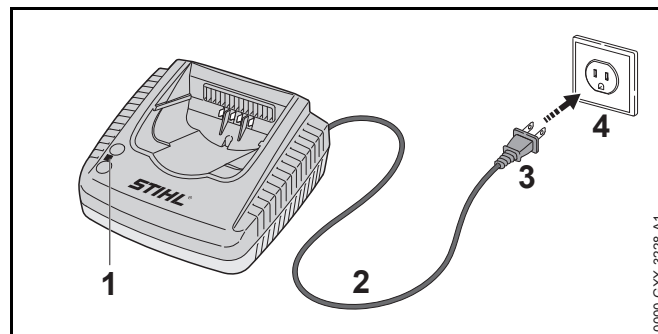
Un circuito eléctrico doméstico típico suministra entre 15 y 20 amperios. Un cargador STIHL AL 500 consume aproximadamente 4,8 A. Un cargador AL 300 consume aproximadamente 4,4 A. Para reducir el riesgo de incendios causados por la sobrecarga de un circuito eléctrico:

- ▶ Compruebe que el circuito eléctrico tenga capacidad suficiente para suministrar el consumo eléctrico anticipado antes de cargar la batería.
- ▶ Cargue varias baterías una por una, o en circuitos separados, a menos que se sepa que el circuito es capaz de soportar el consumo total anticipado de varios cargadores.

#### ADVERTENCIA

Dado que el cargador se calienta durante el proceso de carga, no haga funcionar el cargador sobre superficies que puedan incendiarse o en un lugar donde haya gases, líquidos, vapores, polvo u otros materiales y sustancias combustibles.

Para preparar el cargador para el funcionamiento:



- ▶ Conecte el enchufe (3) a un tomacorriente de pared (4) debidamente instalado que suministre el voltaje y frecuencia indicados en la chapa de información del cargador.

El cargador ejecutará una autoprueba inmediatamente después de enchufarlo. El LED del cargador (1) se iluminará en verde durante 1 segundo aproximadamente, y luego en

rojo por un lapso breve hasta apagarse. Una vez que el LED se apaga, la autopruueba ha finalizado y el cargador está listo para cargar la batería.

- Ubique el cordón eléctrico (2) como para que no se lo pise, cause tropezos, esté en contacto con objetos cortantes o partes móviles o, de otro modo sujeto, a daño o esfuerzo.

## 9.2 Carga

### **A** ADVERTENCIA

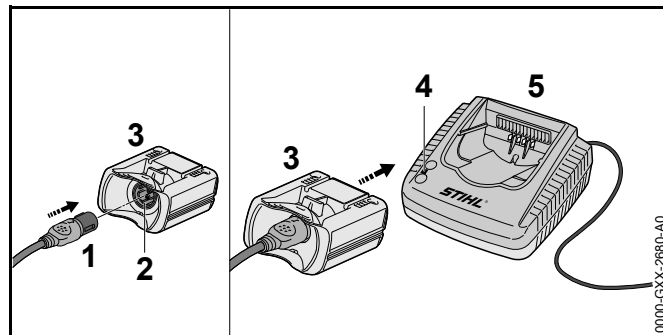
Las baterías STIHL tienen características y dispositivos de seguridad que, de dañarse, pueden provocar que la batería genere calor, se rompa, pierda líquido, se incendie o explote. Nunca cargue una batería que funcione mal o que esté dañada, deformada o tenga fugas, ni utilice un cargador averiado. Nunca inserte una batería húmeda ni un adaptador de batería que esté mojado. Nunca use un cargador que esté mojado. Respete todas las advertencias e instrucciones específicas de su batería y de su cargador. La batería no se suministra completamente cargada de fábrica. STIHL le recomienda que cargue la batería por completo antes de usarla por primera vez.

Utilice el cargador siempre bajo techo, en habitaciones secas y a temperaturas ambiente de entre 41 °F y 104 °F (5 °C y 40 °C).

La batería se calienta durante el funcionamiento de la herramienta motorizada. Si se conecta al cargador una batería caliente, puede ser necesario esperar a que se enfríe para que empiece a cargarse. El proceso de carga solo comienza una vez que la batería se ha enfriado lo suficiente.

El tiempo de carga depende de varios factores, tales como el estado de la batería y la temperatura ambiente. Si quiere ver una lista completa de los tiempos de carga aproximados, visite [www.stihl.com/charging-times](http://www.stihl.com/charging-times).

### Para cargar una batería AR:

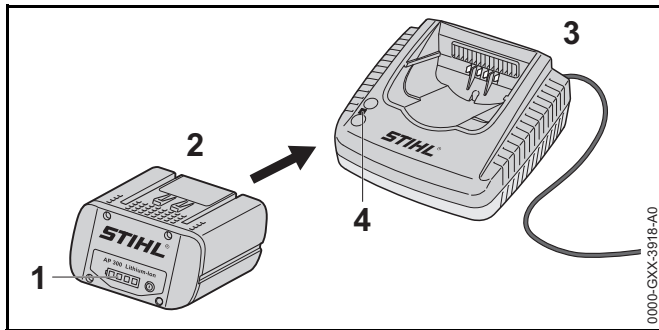


- Inserte el enchufe del cable de conexión (1) en el tomacorriente (2) del adaptador AP (3), hasta el tope.
- Inserte el adaptador AP en el cargador (5) hasta que haga tope. El LED del **cargador** (4) se ilumina en verde cuando la batería se está cargando.

Los LED de la **batería AR** se iluminan en verde e indican el estado de carga.

Cuando los LED de la batería se apagan, el proceso de carga ha finalizado y el cargador se apaga automáticamente. El adaptador AP se puede retirar del cargador.

- Desenchufe el cordón eléctrico del tomacorriente cuando el cargador no esté en uso.
- Cargue las baterías tipo mochila AR de STIHL únicamente con cargadores de las gamas AL 300 o AL 500 de STIHL auténticos.

**Para cargar una batería AP:**

- ▶ Inserte la batería (2) en el cargador (3) hasta que haga tope. El LED del **cargador** se ilumina en verde cuando la batería se está cargando.

Los LED (1) de la **batería AP** se iluminan en verde e indican el estado de la carga.

Cuando los LED de la batería se apagan, el proceso de carga ha finalizado y el cargador se apaga automáticamente. La batería AP se puede retirar del cargador.

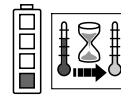
- ▶ Desenchufe el cordón eléctrico del tomacorriente cuando el cargador no esté en uso.
- ▶ Para cargar las baterías de la gama AP de STIHL, utilice siempre cargadores STIHL AL 101, AL 300 o AL 500 auténticos.

## 10 Diagnóstico por LED y señales acústicas

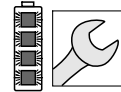
### 10.1 Batería AP de STIHL

#### 10.1.1 Estado de la batería

Cuatro LED muestran el estado de la batería. Estos LED pueden encenderse o destellar en verde o rojo.



**Si un LED se enciende en rojo continuamente**, la batería está demasiado caliente o demasiado fría. Deje que la batería se caliente o se enfríe gradualmente a una temperatura ambiente de aproximadamente 10 °C a 20 °C (50 °F a 68 °F).



**Si los cuatro LED destellan en rojo**: la batería está averiada y debe reemplazarse. No intente cargar, usar ni guardar la batería.

#### 10.1.2 Estado de la herramienta motorizada

Los mismos LED en la batería indican el estado de la herramienta motorizada.

**Si tres LED se encienden en rojo continuamente**, el motor de la herramienta motorizada está demasiado caliente. Deje que el motor se enfríe.

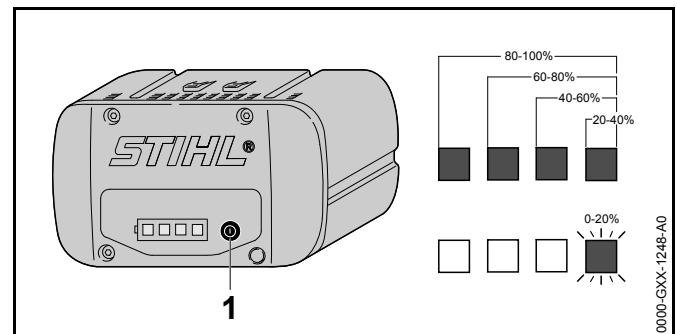
**Si tres LED destellan en rojo cuando activa el gatillo**, la herramienta motorizada tiene un defecto eléctrico. No utilice la herramienta motorizada. Solicite a un concesionario de servicio STIHL autorizado que la revise antes de usarlo.

Para información de localización de averías, 23.

#### 10.1.3 Estado de carga

Los LED en la batería también muestran el estado de carga de la batería.

Para determinar el estado de carga de la batería:



- ▶ Presione el botón (1) en la batería.  
Los LED de la batería se encenderán o destellarán en verde por unos 5 segundos e indicarán el estado de carga (vea la ilustración).

**Por ejemplo:**

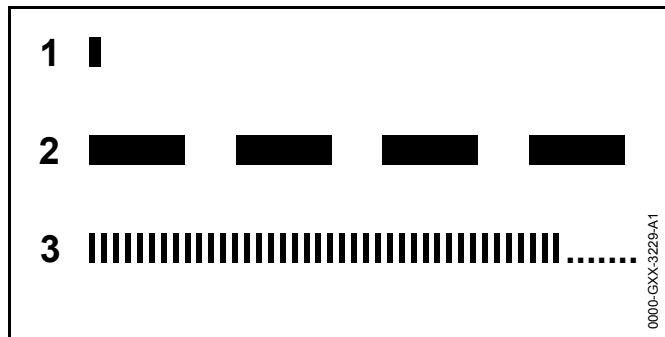
**Si cuatro LED se encienden en verde continuamente, la carga está completa.**

**Si un LED destella en verde, queda menos del 20 % de la carga.**

## 10.2 Batería de mochila STIHL AR

### 10.2.1 Estado de la batería

Seis LED y una señal acústica denotan el estado de la batería.



**1 Un pitido breve**

La señal acústica funciona como debe hacerlo.

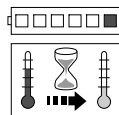
**2 Cuatro o seis tonos largos (AR L)**

La batería tiene poca carga. Recargue la batería.

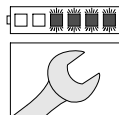
**3 Sucesión rápida de pitidos breves**

Hay una falla en la batería. La señal se detiene automáticamente al cabo de unos segundos. No intente cargar, usar ni guardar la batería. Sustituya la batería.

Estos LED pueden encenderse o destellar en verde o rojo.



**Si un LED se enciende en rojo continuamente, la batería está demasiado caliente o demasiado fría.** Deje que la batería se caliente o se enfríe gradualmente a una temperatura ambiente de aproximadamente 10 °C a 20 °C (50 °F a 68 °F).



**Si los cuatro LED derechos destellan en rojo y se escucha una sucesión rápida de pitidos breves:** la batería está averiada y es necesario reemplazarla. No intente cargar, usar ni guardar la batería.

- ▶ Sea consciente de que su capacidad para oír la señal acústica puede verse disminuida si usa protectores para oídos.

### 10.2.2 Estado de la herramienta motorizada

Cuando la batería está conectada con la herramienta motorizada, los mismos LED en la batería indicarán el estado de la herramienta motorizada.

**Si tres LED se encienden en rojo continuamente,** el motor de la herramienta motorizada está demasiado caliente. Deje que el motor se enfríe.

**Si tres LED destellan en rojo cuando activa el gatillo,** la herramienta motorizada tiene un defecto eléctrico. No utilice la herramienta motorizada. Solicite a un concesionario de servicio STIHL autorizado que la revise antes de usarlo.

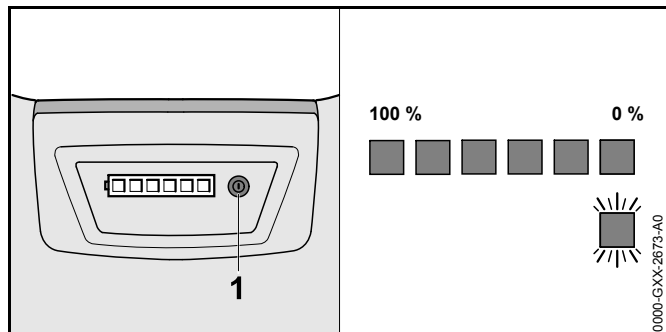
Para información de localización de averías, 23.

### 10.2.3 Estado de carga

Los LED y señales acústicas en la batería también muestran el estado de carga de la batería.



Para determinar el estado de carga de la batería:



► Pulse el botón (1) en la batería tipo mochila.

Se escucha un pitido breve. Los LED de la batería se encenderán o destellarán en verde por unos 5 segundos e indicarán el estado de carga (vea la ilustración).

**Por ejemplo:**

**Si seis LED se encienden en verde continuamente,** la carga está completa.

**Si un LED verde destella y se escuchan cuatro pitidos largos:** resta menos de un 20 % de carga.

## 11 Batería de mochila STIHL AR

### 11.1 Colocación del cordón de conexión en posición

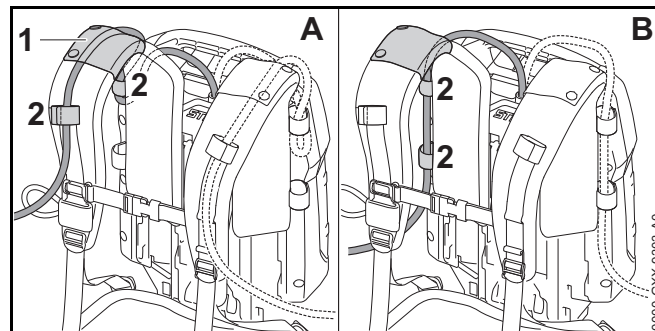
#### ⚠ ADVERTENCIA

Para reducir el riesgo de lesionarse por tropezar con el cordón de conexión o por la pérdida del control de la herramienta motorizada, siempre asegure el cordón de conexión con el cierre de velcro de la manera descrita a continuación. Siempre coloque y asegure el cordón de conexión de manera que no interfiera con las técnicas de uso adecuado descritas en el manual de instrucciones de la herramienta o con su capacidad de mantener el control de la misma.

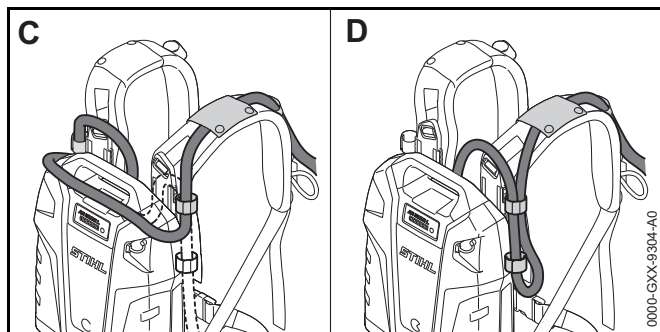
#### ⚠ ADVERTENCIA

Coloque el cordón de manera que se impida que entre en contacto con el accesorio de corte/trabajo o que se enganche en algún objeto, lo cual podría hacerle perder el equilibrio o el control de la herramienta motorizada y dar por resultado lesiones personales graves y daños a la propiedad.

El cordón de conexión puede asegurarse en posiciones diferentes y ajustarse según la estatura y el alcance del operador.



El cordón de conexión puede pasarse por la guía (1) en la tira para el hombro (ilustración A) o a lo largo de la placa trasera (ilustración B). Asegure el cordón de conexión al arnés y con los cierres de velcro (2). Siempre asegure el cordón de conexión utilizando la guía o cierres de velcro hacia el mismo lado del cuerpo en el cual se sujeta y se controla la herramienta motorizada. No permita que el cordón de conexión penda delante de su cuerpo ni a su costado.



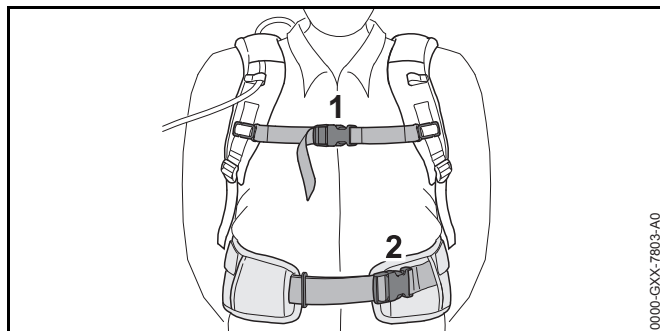
La longitud del cordón de conexión puede ajustarse por medio de formar un lazo por la parte superior (Ilust. C) o por el costado (Ilust. D) de la batería tipo mochila, fijándolo con cierres de velcro.

## 11.2 Colocación del arnés

### **!** ADVERTENCIA

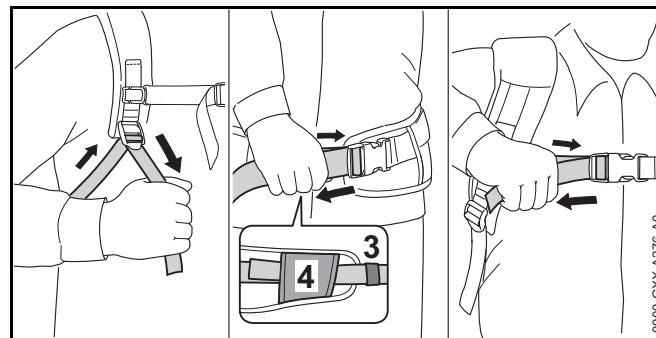
El operador deberá poder despojarse de la batería tipo mochila rápidamente en caso de emergencia. En caso de emergencia, desabroche y quítese el cinturón y la tira de pecho rápidamente, antes de dejar caer la batería al suelo.

Para asegurar una colocación adecuada:



- ▶ Colóquese la batería tipo mochila sobre la espalda.
- ▶ Abroche y ajuste el cinturón (2) de modo que repose de manera cómoda pero segura sobre sus caderas.

- ▶ Abroche la tira para el pecho (1) y ajústela de modo que quede cómoda pero segura por su pecho.



- ▶ Ajuste las tiras del arnés de modo que la almohadilla de la placa quede ajustada y segura contra su espalda.
- ▶ Siempre colóquese el arnés de la batería sobre los dos hombros.
- ▶ Pase el extremo del cinturón por las argollas (3) y (4).
- ▶ Para quitarse el arnés, desabroche las hebillas de soldado rápido del cinturón y de la tira para el pecho y afloje las tiras del arnés por medio de levantar los ajustadores deslizantes.

Para ayudar a reducir el riesgo de lesionarse en caso de emergencia, practique la apertura rápida del sujetador del cinturón y de la correa de pecho, el soldado de las correas de hombro y despojarse de la batería.

### INDICACIÓN

Para evitar daños, coloque la batería suavemente en el suelo cuando esté practicando. No permita que la batería caiga al suelo ni la lance.



## 12 Armado de la motoguadaña / desmalezadora

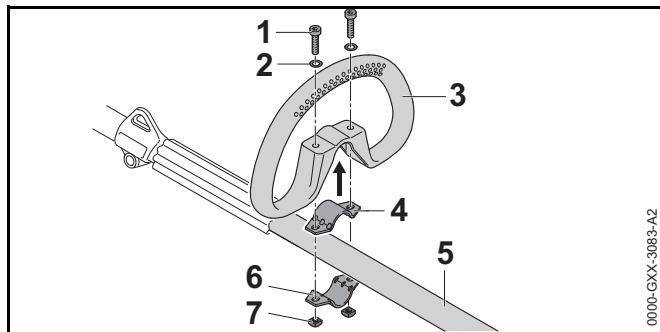
### 12.1 Montaje del mango circular

#### ⚠ ADVERTENCIA

Para reducir el riesgo de lesionarse por la pérdida del control sobre la máquina, compruebe que el mango circular está montado de forma correcta y segura antes de empezar a trabajar.

Para montar el mango circular:

- ▶ Apague la herramienta motorizada,  15.2.
- ▶ Retire la batería,  14.2.





- ▶ Coloque una abrazadera (4) en el mango circular (3).
- ▶ Coloque la otra abrazadera (6) contra la parte inferior del tubo de mando (5) y alinee los orificios del mango circular y de las abrazaderas.
- ▶ Coloque arandelas (2) en los tornillos (1) e introduzca los tornillos por los orificios del mango circular y de las abrazaderas.
- ▶ Coloque las tuercas cuadradas (7) y apriételas de forma que queden firmes. Asegúrese de que el mango está bien fijo y de que no se va a mover durante el trabajo.

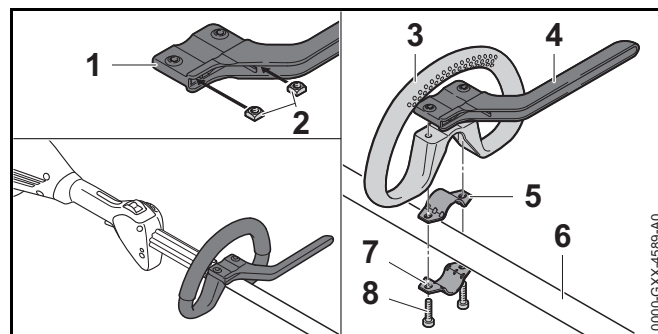
### 12.2 Montaje de la barra de defensa

#### ⚠ ADVERTENCIA

Para reducir el riesgo de lesiones graves causadas por una pérdida de control o por contacto con el accesorio de corte, use una cuchilla para pasto o para matorrales metálica únicamente si la máquina está equipada con un mango circular, con una barra de defensa y con un arnés.

Para montar la barra de defensa:

- ▶ Apague la herramienta motorizada,  15.2.
- ▶ Retire la batería,  14.2.



- ▶ Introduzca las tuercas cuadradas (2) en la barra de defensa (1) y alinee los agujeros.
- ▶ Coloque una abrazadera (5) en el mango circular (3).
- ▶ Coloque la otra abrazadera (7) contra el tubo de mando y alinee los agujeros del mango circular y los de las abrazaderas.
- ▶ Coloque la barra de defensa (4) en su posición, sobre los orificios del mango circular.
- ▶ Inserte los tornillos (8) y apriételos bien. Asegúrese de que el mango y la barra de defensa están bien ajustados, de modo que no se muevan durante el funcionamiento.


## 12.3 Instalación y retiro de un deflector

### 12.3.1 Montaje de un deflector



#### **!** ADVERTENCIA

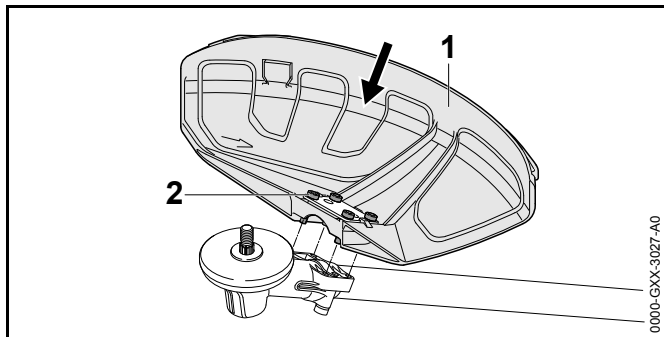
Para reducir el riesgo de lesiones causadas por objetos que salen despedidos o por contacto con el accesorio de corte, nunca use la motoguadaña / desmalezadora sin un deflector debidamente montado. Mantenga una distancia de como mínimo 50 pies (15 m) con respecto a las personas que estén en los alrededores. Para usar un deflector diseñado para usarse con una cuchilla metálica, debe cambiar el deflector o agregar una faldilla antes de instalar una cabeza segadora.

#### **!** ADVERTENCIA

El accesorio de corte y el deflector deben formar una combinación aprobada. Utilice únicamente una combinación aprobada de accesorio de corte y deflector para obtener el máximo rendimiento de corte y para reducir el riesgo de lesiones graves provocadas por objetos que salen despedidos o por contacto con el accesorio de corte,  25.

Todos los deflectores se montan en la caja de engranajes de la misma manera. Para montar un deflector:

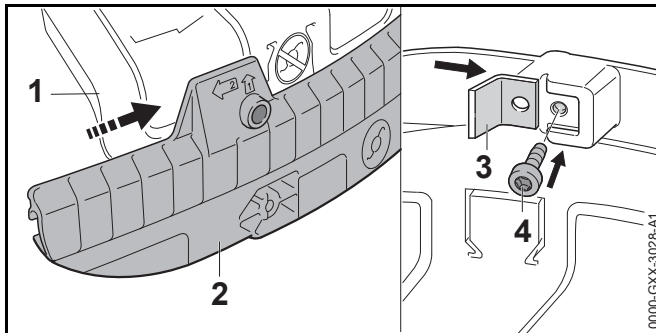
- ▶ Apague la herramienta motorizada,  15.2.
- ▶ Retire la batería,  14.2.



- ▶ Deslice el deflector (1) en las guías de la caja de engranajes hasta que haga tope. El deflector debe quedar apretado contra la caja de engranajes.

- ▶ Inserte y apriete los tornillos (2). Asegúrese de que el deflector está bien ajustado y de que no se va a mover durante el funcionamiento.



Para montar la faldilla y la cuchilla limitadora del hilo:

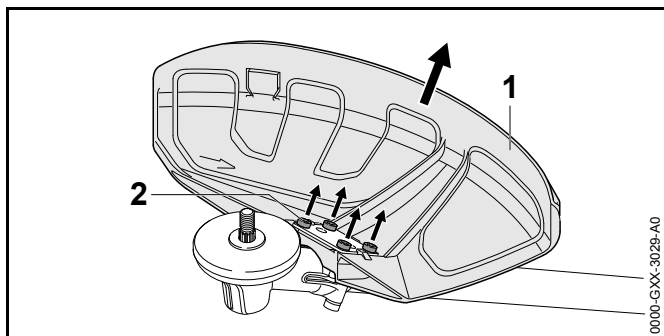


- ▶ Inserte el borde guía de la parte inferior del deflector (1) en la ranura de la faldilla (2).
- ▶ Deslice la faldilla hasta que cubra toda la parte inferior del deflector y encaje en su lugar. Cuando la faldilla está correctamente instalada, cubre el diagrama grabado en el deflector que indica que está prohibido el uso con cabezas segadoras.
- ▶ Introduzca la cuchilla limitadora del hilo (3) en la ranura guía de la faldilla.
- ▶ Inserte y apriete el tornillo (4) hasta que la cuchilla limitadora del hilo quede firme en su posición.

### 12.3.2 Retirada del deflector

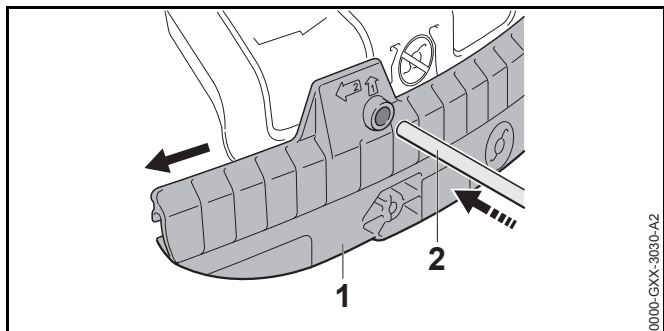
Para retirar un deflector:

- ▶ Apague la herramienta motorizada,  15.2.
- ▶ Retire la batería,  14.2.



- ▶ Saque los tornillos (2).
- ▶ Quite el deflector (1).

Para retirar la faldilla del deflector:




- ▶ Inserte el pasador de tope (2) en el agujero de la faldilla.
- ▶ Deslice la faldilla (1) y sáquela del borde guía de la parte inferior del deflector.


## 12.4 Montaje y retiro de una cabeza segadora

### 12.4.1 Montaje de una cabeza segadora

#### **!** ADVERTENCIA



El uso de hilo de alambre o reforzado con metal está prohibido y puede ser extremadamente peligroso. Use únicamente los accesorios de corte que se recomiendan en este manual, y combínelos con el deflector recomendado,  5.7.4.

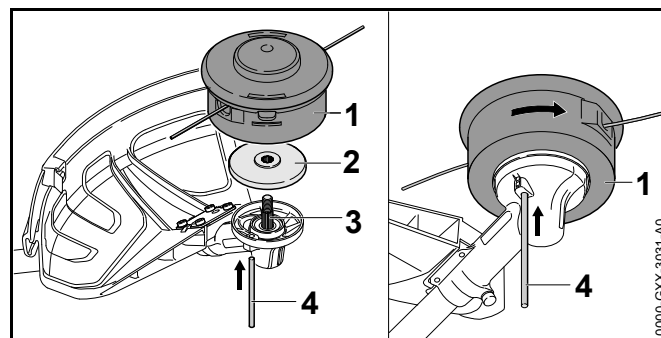
#### **!** ADVERTENCIA

Un accesorio de corte o una cabeza segadora que estén dañados o sueltos pueden vibrar, agrietarse, romperse o desprenderse de la motoguadaña / desmalezadora, lo que puede provocar lesiones graves o mortales o daños materiales. Asegúrese de que la cabeza segadora y el accesorio de corte están bien apretados y en buenas condiciones antes de empezar a trabajar,  5.7.4.

#### Cabezas segadoras distintas de la FixCut 31-2

Para montar una cabeza segadora:

- ▶ Apague la herramienta motorizada,  15.2.
- ▶ Retire la batería,  14.2.





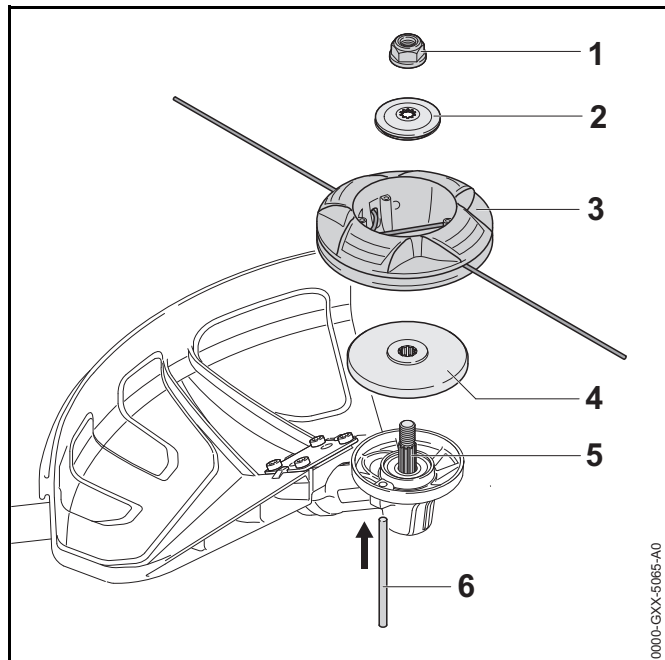
- ▶ Coloque la máquina de modo que usted quede mirando hacia el lado inferior del deflector y el eje impulsor, orientado hacia arriba.
- ▶ Encaje la placa de empuje (2) en el eje impulsor (3), manteniendo el lado de la placa de empuje con el diámetro más pequeño hacia arriba, orientado hacia la cabeza segadora (1).
- ▶ Inserte el pasador de tope (4) en el agujero de la caja de engranajes y gire el tubo de mando hasta que el pasador de tope encaje en su posición e impida que el tubo de mando gire.

- ▶ Con la mano, atornille la cabeza segadora en sentido antihorario en el eje impulsor, manteniendo el pasador de tope insertado. Para poder montar o quitar un accesorio de corte, el eje impulsor debe bloquearse con el pasador de tope.
- ▶ Siga enroscando la cabeza segadora hasta que quede montada de manera correcta y segura.
- ▶ Saque el pasador de tope del agujero de la caja de engranajes.

### Cabeza segadora FixCut 31-2

Para montar la cabeza segadora FixCut 31-2:

- ▶ Apague la herramienta motorizada,  15.2.
- ▶ Retire la batería,  14.2.



- ▶ Coloque la máquina de modo que usted vea el lado inferior del deflector y el eje impulsor quede orientado hacia arriba.

- ▶ Deslice la placa de empuje (4) sobre el tubo de mando (5), manteniendo el lado de la placa de empuje con el diámetro más pequeño hacia arriba, hacia la cabeza segadora FixCut 31-2 (3).
- ▶ Inserte el pasador de tope (6) en el agujero de la caja de engranajes y gire el tubo de mando hasta que el pasador de tope encaje en su posición e impida que el tubo de mando gire.
- ▶ Coloque la cabeza segadora directamente encima de la placa de empuje de modo que el collar de la placa de empuje (4) encaje en el agujero de montaje de la cabeza segadora.
- ▶ Deslice la arandela de empuje (2) en el eje impulsor. Mantenga el lado arqueado orientado hacia arriba y el lado plano, hacia la cabeza segadora FixCut 31-2.
- ▶ Enrosque la tuerca (1) en sentido antihorario y aprétela hasta que la cabeza segadora quede montada de modo correcto y seguro.
- ▶ Saque el pasador de tope del agujero de la caja de engranajes.

### INDICACIÓN

Si la motoguadaña se usa con un hilo excesivamente largo, aumenta la carga del motor, y su velocidad de funcionamiento se reduce. Esto puede causar sobrecalentamiento y daños en componentes importantes.



### INDICACIÓN

Después de instalar o quitar el accesorio de corte, quite siempre el pasador de tope usado para bloquear el eje impulsor.

### 12.4.2 Desmontaje de una cabeza segadora

#### Cabezas segadoras distintas de la FixCut 31-2



Para retirar una cabeza segadora:

- ▶ Apague la herramienta motorizada,  15.2.
- ▶ Retire la batería,  14.2.
- ▶ Utilice el pasador de tope para bloquear el giro del tubo de mando.

- ▶ Coloque la máquina de modo que usted pueda ver el lado inferior del deflector y que el eje impulsor quede hacia arriba.
- ▶ Desenrosque la cabeza segadora girándola en sentido horario.
- ▶ Retire la placa de empuje.
- ▶ Saque el pasador de tope del agujero de la caja de engranajes.

### Cabeza segadora FixCut 31-2


Para retirar la cabeza segadora FixCut 31-2:

- ▶ Apague la herramienta motorizada,  15.2.
- ▶ Retire la batería,  14.2.
- ▶ Utilice el pasador de tope para bloquear el giro del tubo de mando.
- ▶ Coloque la máquina de modo que usted pueda ver el lado inferior del deflector y que el eje impulsor quede hacia arriba.
- ▶ Desenrosque la tuerca girándola en sentido horario.
- ▶ Retire la arandela de empuje.
- ▶ Retire la cabeza segadora.
- ▶ Retire la placa de empuje.
- ▶ Saque el pasador de tope del agujero de la caja de engranajes.


## 12.5 Montaje y retiro de un accesorio de corte metálico

### 12.5.1 Montaje de un accesorio de corte metálico



#### ADVERTENCIA

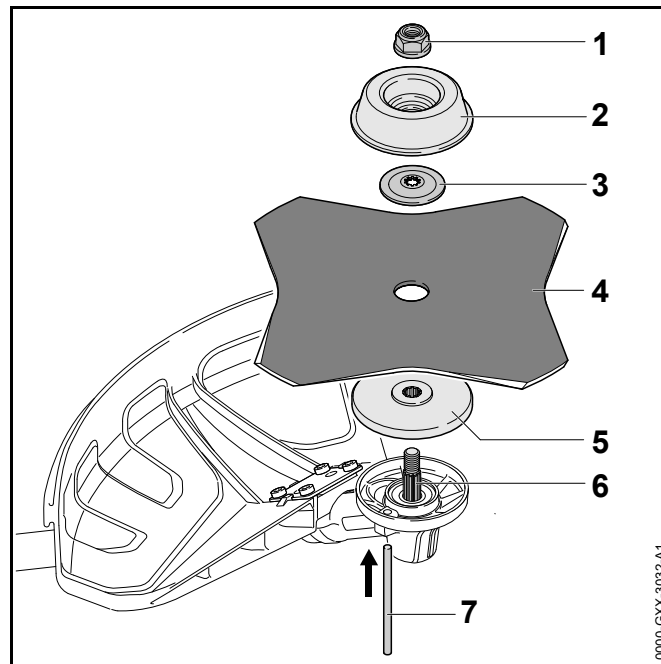
Las cuchillas para pasto y las cuchillas para matorrales tienen muchos filos muy afilados. Si entran en contacto con alguna parte de su cuerpo, le causarán una herida, aunque el accesorio de corte metálico no esté en movimiento. Use siempre guantes de trabajo resistentes para montar o manipular un accesorio de corte metálico,  5.5.

#### ADVERTENCIA

Un accesorio de corte metálico dañado o suelto puede vibrar, agrietarse, romperse o desprenderse de la máquina, y provocar lesiones graves o mortales, así como daños materiales. Asegúrese de que el accesorio de corte metálico está bien fijado y en buenas condiciones antes de empezar a trabajar,  5.7.4.

Para montar un accesorio de corte metálico:

- ▶ Apague la herramienta motorizada,  15.2.
- ▶ Retire la batería,  14.2.

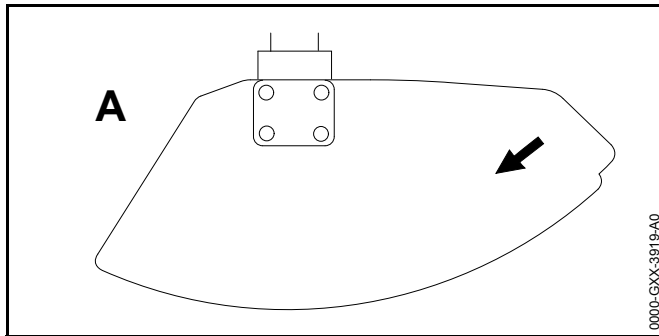


- ▶ Coloque la máquina de modo que usted vea el lado inferior del deflector y el eje impulsor quede orientado hacia arriba.
- ▶ Deslice la placa de empuje (5) sobre el eje impulsor (6). El lado de la placa de empuje con el diámetro más pequeño debe quedar hacia arriba.

- ▶ Coloque el accesorio de corte (4) directamente sobre la placa de empuje. Asegúrese de que el accesorio de corte está colocado de modo que gira en la dirección indicada en el deflector.
- ▶ Deslice la arandela de empuje (3) en el eje impulsor. Mantenga el lado arqueado hacia arriba y el lado plano orientado hacia el accesorio de corte metálico.
- ▶ Deslice la placa de refuerzo (2) sobre el eje impulsor.
- ▶ Inserte el pasador de tope (7) en el agujero de la caja de engranajes y gire el accesorio de corte hasta que el pasador de tope encaje en su posición e impida que el tubo de mando gire.
- ▶ Enrosque la tuerca (1) en sentido antihorario y apriétela hasta que el accesorio de corte quede fijado de modo correcto y seguro.
- ▶ Saque el pasador de tope del agujero de la caja de engranajes.

Los accesorios de corte con más de 4 filos deben montarse con los filos orientados en la dirección de rotación. De lo contrario, el accesorio no cortará. El sentido de rotación lo indica una flecha ubicada en la parte interior del deflector.

### INDICACIÓN



Las flechas del deflector (A) (visto desde abajo) muestran el sentido correcto de rotación del accesorio de corte. Sin embargo, si se mira desde arriba, el accesorio de corte gira en sentido antihorario.

### INDICACIÓN

Después de montar o retirar el accesorio de corte, siempre saque el pasador de tope que ha empleado para impedir que el tubo de mando gire.

#### 12.5.2 Retirada de un accesorio de corte metálico

Para retirar un accesorio de corte metálico:

- ▶ Apague la herramienta motorizada, 15.2.
- ▶ Retire la batería, 14.2.
- ▶ Coloque la máquina de modo que usted vea el lado inferior del deflector y el eje impulsor quede orientado hacia arriba.
- ▶ Utilice el pasador de tope para bloquear el giro del tubo de mando.
- ▶ Desenrosque la tuerca girándola en sentido horario.
- ▶ Quite la placa de refuerzo, la arandela de empuje, el accesorio de corte metálico y la placa de empuje.
- ▶ Saque el pasador de tope del agujero de la caja de engranajes.

### INDICACIÓN

Después de montar o retirar el accesorio de corte, siempre saque el pasador de tope que ha empleado para bloquear el giro del tubo de mando.

## 13 Ajuste de la motoguadaña / desmalezadora

### 13.1 Colocación y ajuste de la correa para el hombro o del arnés completo



#### ADVERTENCIA

Para reducir el riesgo de lesiones causadas por una pérdida de control y por contacto con el accesorio de corte, use un arnés adecuado siempre que trabaje con un accesorio de corte metálico, 25.



En este manual de instrucciones encontrará una lista de otros arneses aprobados, 25.



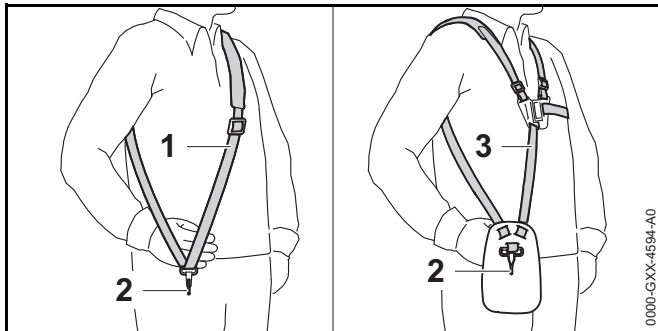
Para colocarse la correa sobre el hombro:

- ▶ Apague la herramienta motorizada,  15.2.
- ▶ Retire la batería,  14.2.
- ▶ Colóquese el arnés sobre el hombro izquierdo si está sosteniendo el mango trasero con la mano derecha. Colóqueselo sobre el hombro derecho si está sosteniendo el mango trasero con la mano izquierda.
- ▶ Si ha montado un accesorio de corte metálico, recuerde que debe instalar la barra de defensa, llevar un arnés adecuado y sujetar siempre el mango trasero con la mano derecha y el mango delantero, con la mano izquierda. Esto significa que debe colocarse el arnés simple sobre el hombro izquierdo cuando trabaje con un accesorio de corte metálico.

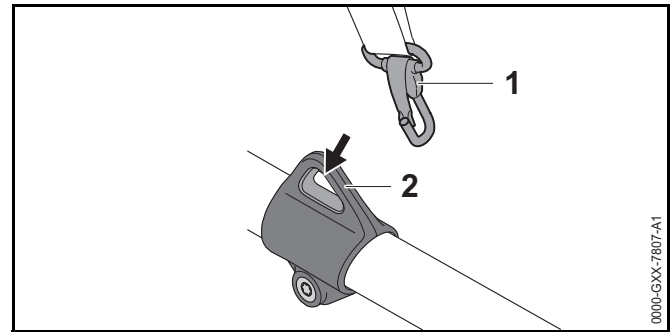
Para ponerse el arnés completo:

- ▶ Apague la herramienta motorizada,  15.2.
- ▶ Retire la batería,  14.2.
- ▶ Colóquese el arnés completo sobre los dos hombros.

Para ajustar el arnés:



- ▶ Ajuste el largo de la correa del arnés (1) o del arnés completo (3) de modo que el mosquetón (2) quede aproximadamente un palmo por debajo de la parte superior de su cadera.





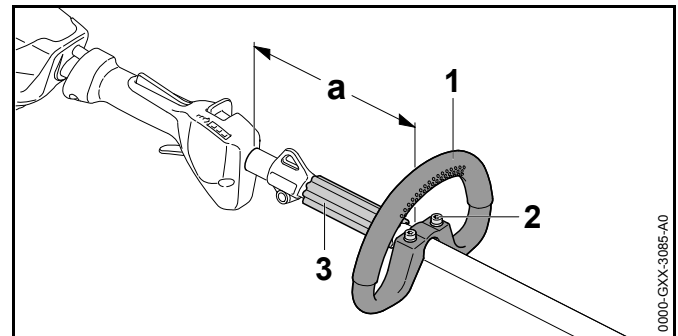
- ▶ Enganche el mosquetón (1) a la argolla de transporte (2) de la motoguadaña / desmalezadora.

### 13.2 Ajuste del mango circular

El mango circular se puede montar de modo que se adapte a la altura y la complejión del operador.

Para ajustar la posición del mango circular:

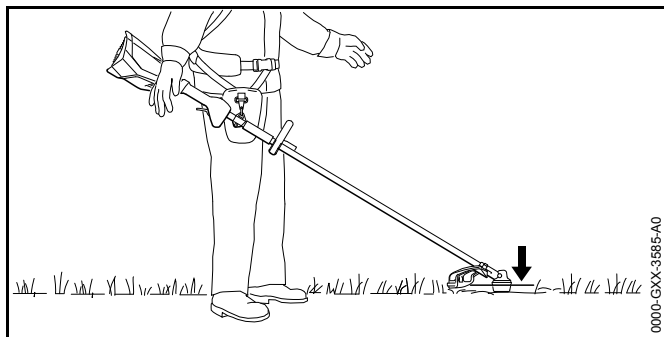
- ▶ Apague la herramienta motorizada,  15.2.
- ▶ Retire la batería,  14.2.



- ▶ Afloje los tornillos (2) que mantienen el mango circular fijo al eje de la motoguadaña.
- ▶ Deslice el mango circular (1) hasta la posición deseada, teniendo en cuenta las siguientes limitaciones:

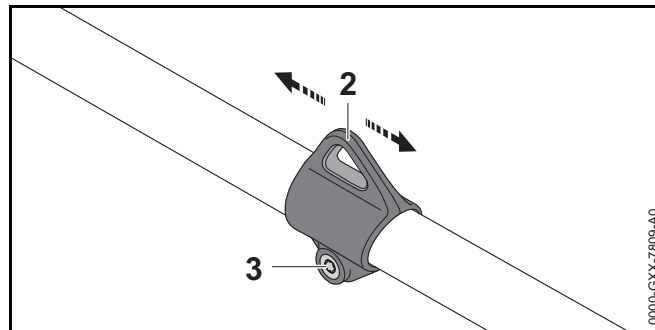
- Mantenga el espaciador (3) posicionado siempre entre el mango circular y la argolla de transporte.
  - Si utiliza una cabeza segadora, la distancia marcada con una "a" debe ser inferior a 11,8 in. (30 cm).
  - Si trabaja con un accesorio de corte metálico, debe haber instalado una barra de defensa, y la distancia marcada con una "a" debe ser inferior a 9,8 in. (25 cm).
- ▶ Apriete los tornillos hasta que el mango circular quede bien asegurado y no se pueda mover a lo largo del tubo de mando.

### 13.3 Equilibrado de la motoguadaña / desmalezadora



- ▶ Deje que la motoguadaña / desmalezadora pendule enganchada del arnés hasta que deje de moverse.

La cabeza segadora o el accesorio de corte metálico deben apoyarse delicadamente sobre el suelo o quedar justo por encima del suelo.





Si la cabeza segadora o el accesorio de corte metálico no quedan apoyados suavemente en el suelo o justo por encima del suelo:

- ▶ Afloje el tornillo (3) de la argolla de transporte.
- ▶ Deslice la argolla de transporte (2) por el tubo de mando y apriete de nuevo el tornillo.
- ▶ Deje que la motoguadaña / desmalezadora cuelgue libremente de nuevo. Repita y haga un reajuste si fuera necesario, para alcanzar el equilibrio adecuado.
- ▶ Una vez que el accesorio de corte esté en la posición correcta para el trabajo, apriete el tornillo y asegúrese de que la argolla de transporte está bien fijada.


## 14 Colocación y extracción de la batería.

### 14.1 Colocación de la batería

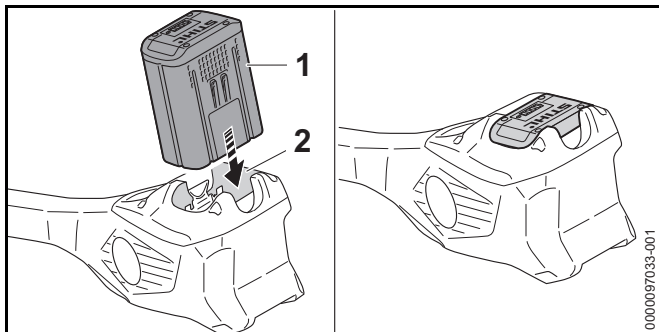
#### ⚠ ADVERTENCIA

Nunca use una batería que esté defectuosa, dañada, agrietada, que pierda líquido o esté deformada,  7. Use y guarde la batería únicamente a una temperatura ambiente de entre 14 °F y 122 °F (- 10 °C y 50 °C),  7.

#### ⚠ ADVERTENCIA

Para reducir el riesgo de activación accidental, nunca guarde la batería en la motoguadaña /desmalezadora,  20.2.

Para colocar la batería:



- ▶ Coloque la motoguadaña /desmalezadora sobre una superficie nivelada.
- ▶ Meta la batería (1) en el compartimento de la batería (2) hasta que haga tope. La batería ha quedado colocada correctamente si se ha escuchado un clic y si la batería ha quedado al ras con la parte superior de la carcasa. En esta posición, hay contacto eléctrico entre la batería y la motoguadaña /desmalezadora.

Las baterías nuevas no están completamente cargadas. Por eso, STIHL recomienda cargarlas por completo antes de usarlas por primera vez, 9.

## 14.2 Extracción de la batería

### ADVERTENCIA

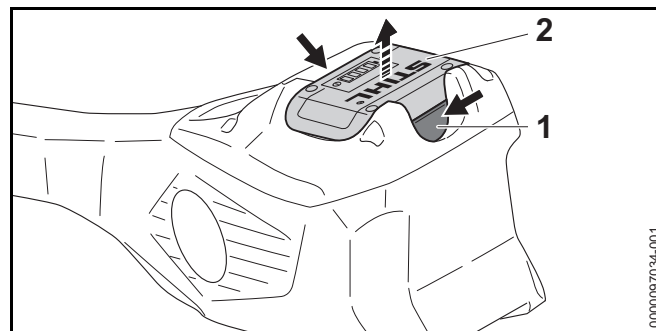
Para reducir el riesgo de lesiones graves provocadas por una activación accidental, quite la batería siempre antes de armar, transportar, ajustar, limpiar, reparar, mantener o guardar la motoguadaña /desmalezadora, y siempre que no se esté usando.

### ADVERTENCIA

Saque la batería con cuidado, para evitar que se caiga y provoque lesiones o daños materiales.

Para quitar la batería:

- ▶ Suelte el gatillo.
- ▶ Coloque la motoguadaña /desmalezadora sobre una superficie nivelada.
- ▶ Coloque la mano detrás de la batería.



- ▶ Apriete las palancas de bloqueo (1) para sacar la batería (2) de su compartimento.

### INDICACIÓN

Evite exponer la batería a un calor excesivo o a la luz solar directa durante períodos prolongados. El uso o el almacenamiento a temperaturas no incluidas en el rango de temperatura ambiente recomendado pueden reducir el rendimiento y/o la vida útil de la batería.


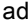

## 15 Encendido y apagado de la motoguadaña / desmalezadora

### 15.1 Encendido

#### ADVERTENCIA

Para reducir el riesgo de que el operador o las personas de los alrededores sufran lesiones graves o mortales, mantenga las manos, los pies y cualquier otra parte del cuerpo lejos del accesorio de corte, 5.7.2. No toque el accesorio de corte cuando la batería esté colocada. Nunca toque con las manos ni con ninguna otra parte de su cuerpo el accesorio de corte en movimiento, 5.7.4.

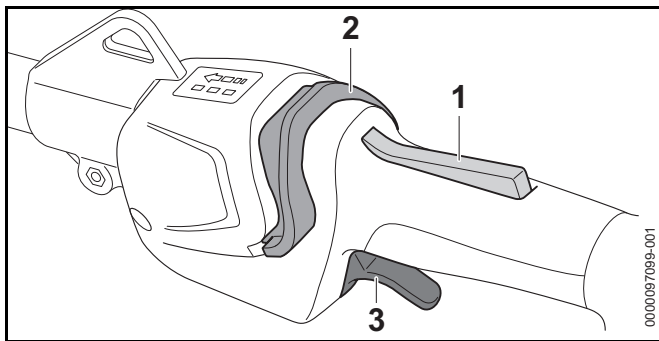
## **!** ADVERTENCIA

Nunca use la motoguadaña / desmalezadora si está dañada, mal ajustada o mal mantenida, si no se ha montado correctamente y por completo o si no funciona debidamente,  5.6. Para reducir el riesgo de lesiones, use siempre ropa y equipos de protección adecuados, incluida una protección adecuada para los ojos,  5.5. Para reducir el riesgo de lesiones graves o mortales provocadas por una pérdida de control, siempre sujete la motoguadaña / desmalezadora con ambas manos cuando trabaje con ella,  5.7.2.

Antes de encender la máquina:

- ▶ Asegúrese de que tiene los pies bien apoyados.
- ▶ Mantenga una posición erguida.
- ▶ Siempre sujete y use la motoguadaña / desmalezadora con las dos manos: una colocada firmemente sobre el mango trasero y la otra, con firmeza sobre el mango circular.
- ▶ Cuando use la motoguadaña / desmalezadora con un accesorio de corte metálico, siempre sujete el mango trasero con su mano derecha y el delantero, con su mano izquierda. Esto se aplica a todos los operadores, incluidos aquellos que sean zurdos.

Para encender la motoguadaña / desmalezadora:



- ▶ Apriete y mantenga presionado el bloqueo del gatillo (1).

## 15 Encendido y apagado de la motoguadaña / desmalezadora

- ▶ Mientras mantiene sujeto el bloqueo del gatillo, deslice el pestillo de retención (2) hacia adelante con el pulgar y suéltelo.  
Los LED indican el nivel de potencia.
- ▶ Oprima el gatillo (3) con el dedo índice.  
El accesorio de corte comenzará a moverse.

El motor no se encenderá a menos que se haya apretado el bloqueo del gatillo, se haya deslizado el pestillo de retención hacia delante y se haya oprimido el gatillo.

Cuanto más apriete el gatillo, más rápidamente girará el accesorio de corte.

Si el gatillo y el bloqueo del mismo se sueltan, los LED seguirán destellando durante aproximadamente 5 segundos. Mientras los LED parpadean, la motoguadaña / desmalezadora se puede encender sin tener que deslizar el pestillo de retención hacia delante.

### 15.2 Apagado

## **!** ADVERTENCIA

El accesorio de corte seguirá moviéndose durante un tiempo una vez que se suelta el gatillo. Para evitar lesiones graves o mortales, evite el contacto con el accesorio de corte en movimiento. Para reducir el riesgo de lesiones causadas por una activación accidental o por un uso no autorizado de la máquina, apague el motor, asegúrese de que el accesorio de corte se ha detenido y retire la batería antes de transportarla o de depositarla en el suelo.

Para apagar la motoguadaña / desmalezadora:

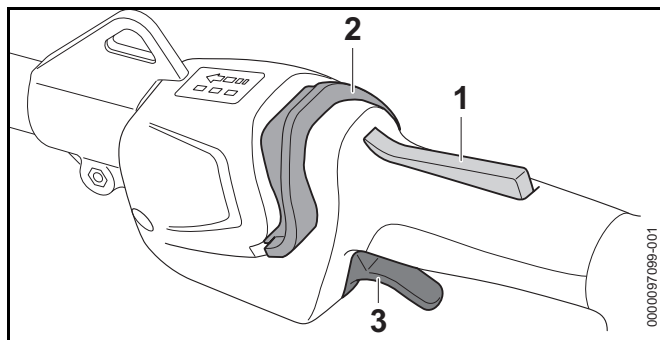
- ▶ Suelte el gatillo y su bloqueo, para que el gatillo vuelva a la posición de bloqueo. En la posición de bloqueo, el bloqueo del gatillo vuelve a bloquear la activación. La activación de la motoguadaña / desmalezadora también queda bloqueada electrónicamente por medio del pestillo de retención una vez que los LED dejan de parpadear (luego de unos 5 segundos).

El accesorio de corte seguirá moviéndose brevemente una vez que se ha soltado el gatillo. Asegúrese de evitar el contacto después de soltar el gatillo y cuando deposite la motoguadaña / desmalezadora en el suelo.

## 16 Comprobación de la herramienta motorizada


### 16.1 Prueba de los controles

Antes de comenzar a trabajar, confirme que el bloqueo del gatillo (1), el pestillo de retención (2) y el gatillo (3) están libres de daños y que funcionan correctamente.



Bloqueo del gatillo (1), pestillo de retención (2) y gatillo (3)

#### **⚠ ADVERTENCIA**

Para reducir el riesgo de lesiones graves o mortales, mantenga las manos, los pies y cualquier otra parte del cuerpo lejos del accesorio de corte. No toque el accesorio de corte cuando la batería esté colocada. Nunca toque con las manos ni con ninguna otra parte de su cuerpo el accesorio de corte en movimiento,  5.7.2. Asegúrese de que las personas de los alrededores se mantienen a una distancia de, como mínimo, 50 pies (15 m) mientras prueba los controles.

Para probar los controles:

- ▶ Retire la batería.
- ▶ Intente apretar el gatillo.  
Si el gatillo se puede apretar sin oprimir antes el bloqueo del gatillo, lleve la motoguadaña / desmalezadora a un concesionario de servicio STIHL autorizado para que la reparen antes de utilizarla.

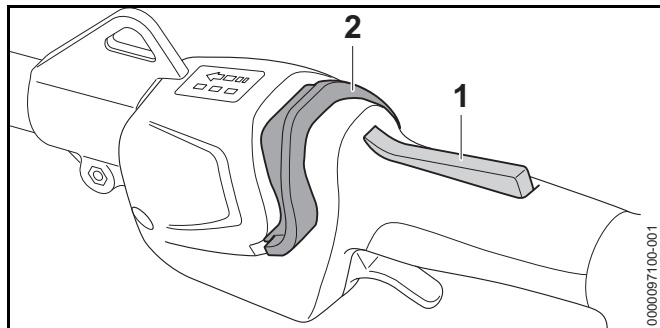
- ▶ Oprima el bloqueo del gatillo y deslice el pestillo de retención hacia delante. Compruebe que se mueven libremente y que al soltarlos vuelven a su lugar por la acción de resorte.
- ▶ Coloque la batería.
- ▶ Sujete la herramienta motorizada firmemente con las dos manos, envolviendo los mangos con todos los dedos. Mantenga oprimido el bloqueo del gatillo, deslice el pestillo de retención hacia delante con el pulgar y apriete el gatillo con el dedo índice.  
La motoguadaña / desmalezadora debería encenderse. Si no se enciende, lleve la motoguadaña / desmalezadora a un concesionario de servicio STIHL autorizado para que la reparen antes de utilizarla.
- ▶ Suelte el gatillo.  
La motoguadaña / desmalezadora debería apagarse.  
Si la motoguadaña / desmalezadora no se apaga cuando suelta el gatillo, retire la batería y lleve la motoguadaña / desmalezadora a un concesionario de servicio STIHL autorizado para que la reparen antes de utilizarla.

## 17 Durante el funcionamiento

### 17.1 Selección del nivel de potencia

La máquina se puede usar con tres niveles de potencia diferentes, que se indican por medio de los LED ubicados en el mango de control. Cuanto más alto es el nivel de potencia, más rápidamente gira el accesorio de corte.

Para ajustar el nivel de potencia:



- ▶ Apriete y mantenga presionado el bloqueo del gatillo (1).
- ▶ Mientras mantiene sujeto el bloqueo del gatillo, deslice el pestillo de retención (2) hacia adelante con el pulgar y suéltelo.  
Los LED indican el nivel de potencia.
- ▶ Deslice el pestillo de retención hacia adelante para activar el siguiente nivel de potencia.  
Si esta operación se lleva a cabo estando seleccionado el nivel de potencia más alto, la máquina vuelve al primer nivel de potencia.

Por lo general, la vida de la batería se acorta si la máquina se usa continuamente con el nivel de potencia más alto.

## 17.2 Uso de la motoguadaña / desmalezadora

### ⚠ ADVERTENCIA

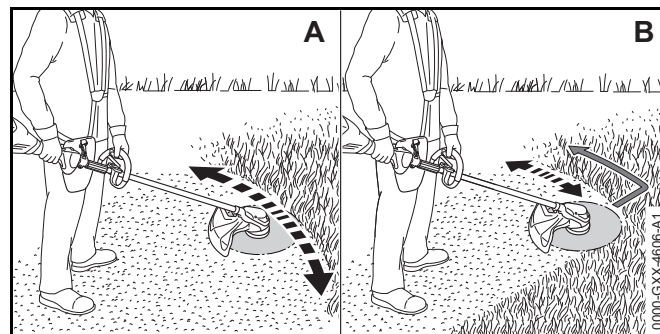
Para reducir el riesgo de que el operador o las personas de los alrededores sufran lesiones graves o mortales, mantenga las manos, los pies y cualquier otra parte del cuerpo lejos del accesorio de corte, 5.7.2. No toque el accesorio de corte cuando la batería esté colocada en la motoguadaña / desmalezadora. Nunca toque con las manos ni con ninguna otra parte de su cuerpo el accesorio de corte en movimiento, 5.7.4.

### ⚠ ADVERTENCIA

Cuando utilice la motoguadaña, siempre use ropa adecuada y equipos protectores, incluida una protección adecuada para los ojos, 5.5. Asegúrese de que no hay nadie a un

radio de como mínimo 50 pies (15 m) de la zona de trabajo, 5.7.4. Trabaje con cuidado y mantenga un control adecuado de la motoguadaña, 5.7.2.

La motoguadaña / desmalezadora está diseñada para manejarse con las dos manos.



- ▶ Cuando trabaje con una cabeza segadora, mueva la máquina con cuidado hacia adelante y hacia atrás, de forma controlada y en paralelo al suelo, como se muestra en la Ilustración A, arriba.
- ▶ Cuando trabaje con una cuchilla para pasto o para matorrales, mueva la máquina de forma controlada y en paralelo al suelo, como se muestra en la Ilustración B, arriba.
- ▶ Avance lentamente, manteniendo las dos manos sobre la máquina en todo momento.

Respete todas las leyes, regulaciones, estándares y normas aplicables.

## 17.3 Ajuste del hilo de nilón

### ⚠ ADVERTENCIA

Para reducir el riesgo de lesiones causadas por una activación accidental, siempre apague el motor y retire la batería de la motoguadaña antes de colocar o ajustar el hilo de nilón a mano.

### Cabezas segadoras AutoCut

- ▶ Con el accesorio de corte girando, golpee la cabeza segadora contra el suelo.

Aproximadamente 1,2 in. (30 mm) de hilo de nilón nuevo avanza cada vez que el accesorio se golpea contra el suelo. La cuchilla limitadora del hilo del deflector corta el hilo de segado a la longitud adecuada.

El mecanismo de alimentación por golpe no avanzará más hilo si la longitud del hilo de segado es inferior a 0,1 in. (25 mm). Para soltar más hilo manualmente:

- ▶ Apague la herramienta motorizada y quite la batería.
- ▶ Apriete y mantenga presionado el botón de la cabeza segadora.
- ▶ Extraiga el hilo de segado a mano.
- ▶ Si no puede tirar del hilo de segado para sacar la longitud necesaria, instale un carrete de hilo nuevo.

### Cabezas segadoras SuperCut

El hilo de nilón nuevo avanzará automáticamente sin necesidad de golpear la máquina contra el suelo. La cuchilla limitadora del hilo del deflector corta el hilo de segado a la longitud adecuada.

El mecanismo de alimentación automática no avanzará más hilo si la longitud del hilo de segado es inferior a 0,1 in. (25 mm). Para soltar más hilo manualmente:

- ▶ Apague la herramienta motorizada y quite la batería.
- ▶ Apriete y mantenga presionado el botón de la cabeza segadora.
- ▶ Extraiga el hilo de segado a mano.
- ▶ Si no puede tirar del hilo de segado para sacar la longitud necesaria, instale un carrete de hilo nuevo.

STIHL recomienda mantener el hilo de nilón en un baño de agua durante un mínimo de entre 12 y 24 horas antes de usarlo para prolongar su vida útil.



## 18 Después de completar el trabajo

### 18.1 Preparación para el transporte o el almacenamiento

#### ADVERTENCIA

Para reducir el riesgo de lesiones personales causadas por la activación accidental o el uso no autorizado, apague el motor, asegúrese de que el accesorio de corte se haya detenido y retire la batería antes de transportar o de bajar la motoguadaña.

Para preparar la motoguadaña para el transporte o el almacenamiento:

- ▶ Apague la motoguadaña.  15.2.
- ▶ Retire la batería.  14.2.
- ▶ Si la motoguadaña o la batería se humedeció durante el funcionamiento, deje que se seque por completo antes de cargarla o guardarla.



## 19 Transporte de la motoguadaña / desmalezadora y de la batería

### 19.1 Motoguadaña / desmalezadora

#### ADVERTENCIA

Para reducir el riesgo de lesiones causadas por una activación accidental, nunca transporte la motoguadaña /desmalezadora con la batería colocada.

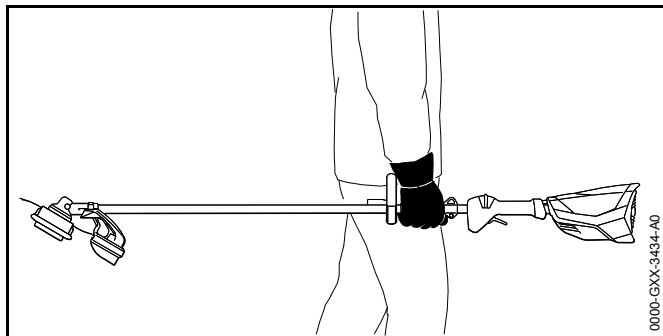
#### ADVERTENCIA

Para reducir el riesgo de lesiones provocadas por la pérdida del control sobre la máquina y por contacto con la cuchilla o con el hilo, nunca acarre ni transporte la motoguadaña / desmalezadora con el accesorio de corte en movimiento,  5.7.4. Asegúrese de que el accesorio de corte se ha detenido antes de posar la herramienta motorizada,  5.7.4.

### **!** ADVERTENCIA

Si ha montado un accesorio de corte metálico, STIHL le recomienda instalar un protector para transporte adecuado (accesorio especial) para reducir el riesgo de sufrir cortaduras por el contacto accidental. Retire el protector para transporte antes de comenzar a trabajar.

Cuando transporte la motoguadaña / desmalezadora:



- ▶ Cuando transporte la motoguadaña / desmalezadora a mano, sujete el tubo de mando de modo que la máquina quede paralela al suelo. Mantenga el accesorio de corte hacia atrás, en sentido opuesto a la dirección en que está caminando.
- ▶ Cuando transporte la motoguadaña / desmalezadora en un vehículo, asegúrela y colóquela de modo que no vuelque, se golpee ni se dañe.

## 19.2 Batería

### **!** ADVERTENCIA

Para reducir el riesgo de cortocircuito, que podría generar una descarga eléctrica, un incendio o una explosión, nunca transporte la batería en un contenedor metálico o cerca de objetos de metal (por ejemplo, presillas de papel, clavos, monedas, llaves), 7

Al transportar la batería:

- ▶ Coloque la batería en un contenedor o una caja no metálicos y protéjala de impactos o daños. Nunca transporte la batería en un envase metálico u otro contenedor capaz de conducir electricidad, ni cerca de objetos metálicos (por ejemplo, presillas para papel, clavos, monedas, llaves, etc.).
- ▶ Si transporta la batería en un vehículo, asegúrela junto con su contenedor para prevenir vuelcos, impactos y daños.

Las baterías STIHL cumplen con los requisitos descritos en el Manual UN ST/SG/AC.10/11/Ver.5/Parte III, Subsección 38.3.

El transporte comercial por aire, agua y tierra de celdas de ion de litio y baterías está regulado. Esta batería está clasificada como un producto UN 3480, Clase 9 y grupo de envasado II. Para transportarla, ya sea como parte de la herramienta completa o sola, es necesario cumplir con todas las normas de transporte correspondientes. Antes del transporte o traslado, consulte con la empresa de transporte por tierra o agua, o bien con la aerolínea de carga o pasajeros, para determinar si el transporte está prohibido o sujeto a restricciones o exenciones.

Por lo general, el usuario no necesita cumplir con ninguna condición adicional para poder transportar baterías STIHL por carretera hasta el sitio donde se encuentra la herramienta eléctrica. Verifique y respete cualquier norma especial que pudiera aplicarse a su situación.



Para obtener más información, visite [www.stihlusa.com/battery-transportation-safety](http://www.stihlusa.com/battery-transportation-safety).



## 20 Almacenamiento de la motoguadaña / desmalezadora y de la batería

### 20.1 Motoguadaña / desmalezadora


#### ADVERTENCIA

Guarde la motoguadaña / desmalezadora bajo techo, en un lugar seco y seguro al que no puedan acceder niños ni otras personas no autorizadas,  6. Un almacenamiento inadecuado puede resultar en un uso no autorizado y, por tanto, en daños en la motoguadaña / desmalezadora,  6.

#### ADVERTENCIA



Para reducir el riesgo de activación accidental, nunca guarde la motoguadaña con la batería colocada. Retire la batería siempre antes de guardar la máquina.

Cuando guarde la motoguadaña / desmalezadora:

- ▶ Retire, limpie e inspeccione el accesorio de corte. Aplique a los accesorios de corte metálicos un revestimiento inhibidor de corrosión.
- ▶ Limpie la motoguadaña / desmalezadora,  21.
- ▶ Guarde la motoguadaña / desmalezadora bajo techo, en un lugar seco y seguro al que no puedan acceder niños ni otras personas no autorizadas.



### 20.2 Batería

#### ADVERTENCIA

Para reducir el riesgo de cortocircuito, que podría generar una descarga eléctrica, un incendio o una explosión, nunca guarde la batería en un contenedor metálico o cerca de objetos de metal,  7. Si la batería está húmeda o mojada, permita que se seque completamente antes de guardarla,  7.

#### ADVERTENCIA

Las temperaturas extremas pueden dañar la batería y también hacer que genere calor, se rompa, pierda líquido, se incendie o explote, lo que podría causar lesiones personales graves o fatales y daños a la propiedad. Utilice

y guarde la batería únicamente a una temperatura ambiente de -10°C a 50°C (14°F a 122°F),  7. No guarde la batería en un lugar con luz solar directa ni dentro de un vehículo en tiempo caluroso,  7.


Para almacenar la batería correctamente:

- ▶ Extraiga la batería de la motoguadaña o del cargador.
- ▶ Compruebe que la batería esté seca y guárdela bajo techo, en un lugar seco y bajo llave.
- ▶ Manténgalo fuera del alcance de los niños y de otras personas no autorizadas.
- ▶ Proteja la batería contra la humedad y los agentes corrosivos, como productos químicos de jardinería y sales de deshielo.
- ▶ Proteja la batería contra la exposición a líquidos conductores de electricidad tales como el agua salada.
- ▶ Para obtener la duración máxima de la batería, guarde la batería en una temperatura ambiente de entre 10 °C y 20 °C (50 °F y 68 °F) con una carga de entre el 40 % y el 60 % (2 LED iluminados en verde).
- ▶ No deje sueltas las baterías que no se utilizan. Rótelas.

## 21 Limpieza

### 21.1 Limpieza de la motoguadaña y de la batería

#### ADVERTENCIA

Para reducir el riesgo de lesiones provocadas por una activación accidental, quite la batería antes de realizar cualquier trabajo de limpieza,  6. Los usuarios de esta motoguadaña / desmalezadora deben llevar a cabo únicamente las tareas de limpieza que se describen en este manual.



Para limpiar la motoguadaña / desmalezadora y la batería:

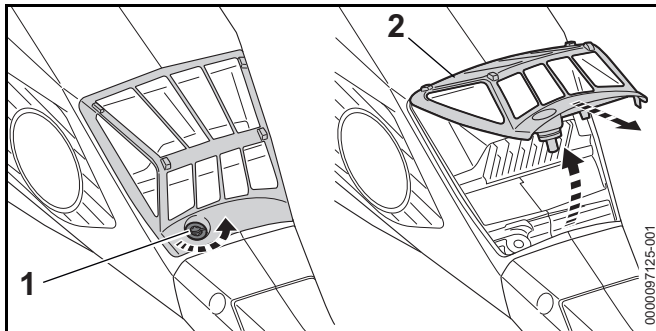
- ▶ Limpie los componentes de polímero de la herramienta motorizada con un trapo ligeramente húmedo. No use detergentes ni disolventes. Estos productos pueden dañar los componentes de polímero.
- ▶ No use una hidrolavadora para limpiar la motoguadaña /desmalezadora, ni la rocíe con agua ni con otros líquidos.
- ▶ Mantenga la carcasa y las guías de la batería libres de cuerpos extraños y límpielas siempre que sea necesario con un cepillo blando o con un paño suave y seco.

- ▶ Una vez que el filtro de aire se haya secado por completo, colóquelo en su lugar a mano.
- ▶ Apriete el tornillo.

## 21.2 Limpieza del filtro de aire

Para limpiar el filtro de aire:

- ▶ Apague la herramienta motorizada,  15.2.
- ▶ Retire la batería,  14.2.







- ▶ Limpie la zona alrededor del filtro de aire (2) con un paño húmedo o con un cepillo suave.
- ▶ Gire el tornillo (1) en sentido antihorario hasta que se pueda retirar el filtro de aire.
- ▶ Retire el filtro de aire levantándolo y tirando de él.
- ▶ Retire las partículas de suciedad más gruesas del exterior del filtro de aire con agua corriente. Nunca limpie el filtro de aire con una hidrolavadora.
- ▶ Si el filtro de aire está dañado, sustitúyalo.
- ▶ Espere a que el filtro de aire se seque.

## 22 Inspección y mantenimiento

### 22.1 Tabla de inspección y mantenimiento


Siempre retire la batería antes de realizar cualquier trabajo de inspección, limpieza o mantenimiento.

Los intervalos de mantenimiento que figuran a continuación se dan a modo de ejemplo y corresponden a condiciones de trabajo normales. El uso que le dé a la máquina y su experiencia determinarán la frecuencia de inspección y de mantenimiento necesaria.		Antes de empezar a trabajar	Una vez terminado el trabajo	Cada 50 horas de funcionamiento	Capítulo correspondiente
Máquina completa	Inspección visual	X			
	Limpiar		X		 21.1
Controles	Comprobar el funcionamiento y el estado	X			 16.1
Caja de engranajes	Lubricar			X	 22.3
Accesorio de corte	Inspección visual	X	X	X	
Filtro de aire	Limpiar			X	 21.2

### 22.2 Inspección y mantenimiento de la motoguadaña / desmalezadora



#### ADVERTENCIA

Para reducir el riesgo de lesiones causadas por una activación accidental, quite la batería antes de revisar la motoguadaña /desmalezadora o de llevar a cabo cualquier tarea de mantenimiento,  6. Lleve a cabo únicamente las tareas de mantenimiento que se describen en este manual. No hay reparaciones que el usuario esté autorizado a llevar a cabo. STIHL le recomienda que encargue las reparaciones a concesionarios de servicio STIHL autorizados.

Para garantizar un mantenimiento adecuado de la motoguadaña / desmalezadora:

- ▶ Si el deflector, la cabeza segadora o el accesorio de corte metálico están gastados, reemplácelos.
- ▶ Si las etiquetas de seguridad están gastadas, dañadas o faltan, solicite a los empleados de su concesionario de servicio STIHL autorizado que las reemplacen.

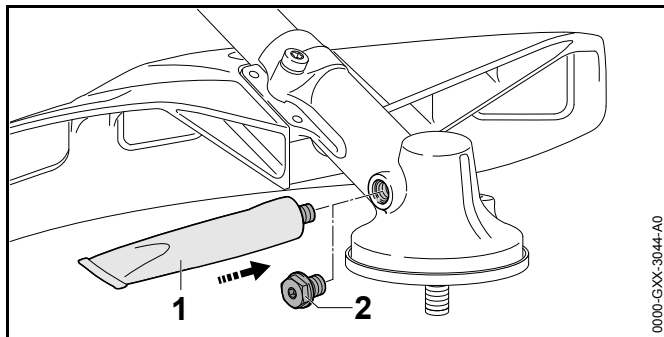
Si reclama cobertura de garantía para algún componente que no se ha reparado o mantenido debidamente, es posible que se le deniegue la garantía.

## 22.3 Lubricación de la caja de engranajes

### ⚠ ADVERTENCIA

La caja de engranajes se calienta durante el funcionamiento de la máquina. Para reducir el riesgo de sufrir quemaduras, evite el contacto con la caja de engranajes cuando esta esté caliente tras el funcionamiento. Espere a que la caja de engranajes se enfríe antes de llevar a cabo esta operación.

Para lubricar la caja de engranajes:



- ▶ Retire el tapón roscado (2).
- ▶ Si no se ve grasa en el interior del tapón de llenado, enrosque el tubo (1) de lubricante para engranajes STIHL en el orificio de llenado.
- ▶ No inyecte más de 0,2 oz. (5 g) de grasa de STIHL en la caja de engranajes.
- ▶ Retire el tubo de lubricante para engranajes de STIHL.
- ▶ Coloque el tapón roscado en su lugar y apriételo.

### INDICACIÓN

No llene la caja de engranajes por completo con grasa.

## 22.4 Sustitución del hilo de la motoguadaña en una cabeza segadora AutoCut 25-2

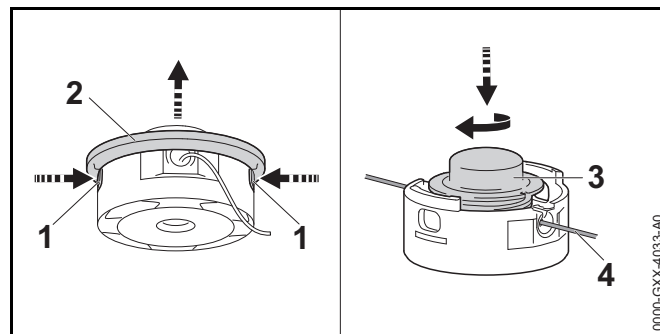
### ⚠ ADVERTENCIA

El uso de hilo de alambre o reforzado con metal está prohibido, y puede ser extremadamente peligroso. Use únicamente los accesorios de corte que se recomiendan en este manual, combinados con el deflector recomendado.

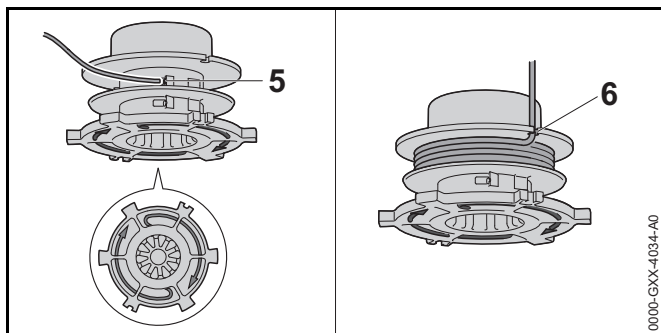
### ⚠ ADVERTENCIA

Un accesorio de corte o una cabeza segadora que estén dañados o sueltos pueden vibrar, agrietarse, romperse o desprenderse de la motoguadaña / desmalezadora, lo que puede provocar lesiones graves o mortales o daños materiales. Antes de empezar a trabajar, asegúrese de que la cabeza segadora y el accesorio de corte están fijados de forma correcta y segura, y de que se encuentran en buenas condiciones.

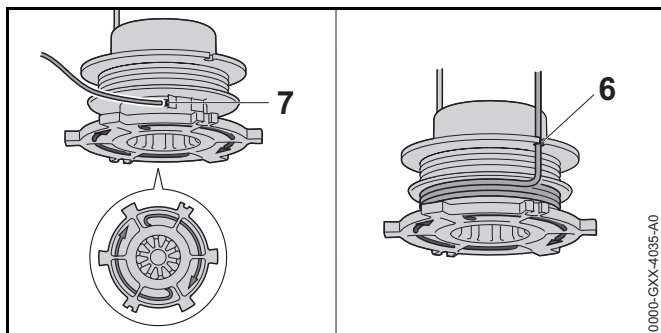
- ▶ Apague la herramienta motorizada, 15.2.
- ▶ Retire la batería, 14.2.
- ▶ Retire la cabeza segadora, 12.4.2.



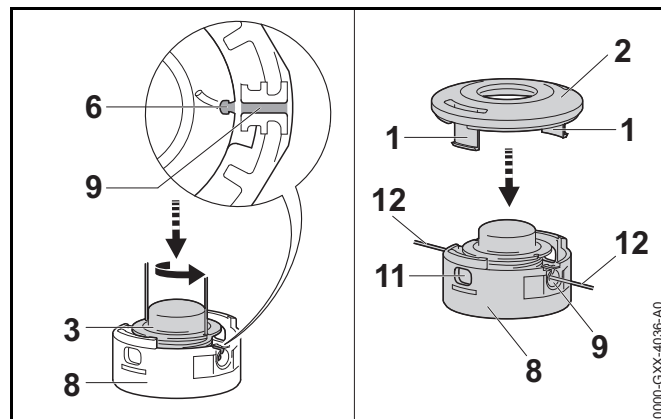
- ▶ Presione las dos pestañas (1) y quite la cubierta (2).
- ▶ Presione el carrete (3) hacia abajo, gírelo en sentido horario para liberarlo y tire de él hacia arriba para retirarlo.
- ▶ Retire el hilo (4) que quede y deséchelo.
- ▶ Si usa un hilo para motoguadaña con un diámetro de 0,095 in. (2,4 mm), corte un fragmento de hilo de 33 ft. (10 m) del carrete y córtelo por la mitad, para obtener dos fragmentos de 16,5 ft. (5 m).



- ▶ Introduzca el primer fragmento de 16,5 ft. (5 m) de hilo en el ojal (5) más cercano a las muescas (6), hasta que haga tope.
- ▶ Enrolle el hilo de manera firme y uniforme en el sentido indicado por la flecha de la parte inferior de la cabeza segadora.
- ▶ Enganche el extremo del hilo en una de las muescas (6).



- ▶ Repita el procedimiento de enrollado con el segundo fragmento de hilo de 16,5 ft. (5 m) de largo, usando el otro ojal (7) y la otra muesca (6).



- ▶ Encaje el carrete (3) en la cabeza segadora (8).
- ▶ Presione y gire el carrete hasta que una de las muescas (6) quede alineada con uno de los ojales (9) y una de las pestañas del carrete quede fija en su lugar por medio de una de las pestañas de la cabeza segadora.
- ▶ Pase los extremos del hilo (12) por los ojales (9).
- ▶ Encaje la cubierta (2) en la cabeza segadora. Alinee las pestañas (1) de la cubierta con las aberturas (11) de la cabeza segadora. Las dos pestañas deben encajar en su lugar con un "clic".
- ▶ Tire del hilo hasta que el carrete se mueva ligeramente hacia arriba.

### INDICACIÓN

Si el hilo es demasiado largo, la carga del motor aumenta, y se reduce su velocidad de funcionamiento. Esto puede causar sobrecalentamiento y daños en componentes importantes.



Puede ver una presentación de vídeo sobre cómo cambiar el hilo de una cabeza segadora AutoCut 25-2 en [bit.ly/Autocut25-2](http://bit.ly/Autocut25-2). Haga clic aquí o escriba esta dirección en su navegador.

## 22.5 Afilado y equilibrado de un accesorio de corte metálico

### ADVERTENCIA

Nunca use un accesorio de corte metálico dañado o sin filo. Si se trabaja con cuchillas romas, empeoran los resultados de corte y aumentan el esfuerzo físico, las vibraciones y el desgaste, lo que puede resultar en una pérdida de control y en lesiones al operador o a otras personas. Un accesorio de corte dañado puede vibrar, agrietarse, romperse o desprenderse de la motoguadaña / desmalezadora, lo que puede provocar lesiones graves o mortales o daños materiales. Asegúrese de que el accesorio de corte está afilado y en buenas condiciones antes de empezar a trabajar.

### ADVERTENCIA

Un accesorio de corte metálico que no se haya afilado correctamente puede aumentar el riesgo de que se produzcan una expulsión (disparo de la cuchilla) y otras fuerzas reactivas, que pueden causar lesiones personales graves o incluso mortales. STIHL recomienda acudir a un concesionario de servicio STIHL autorizado para afilar y equilibrar el accesorio de corte metálico y para reducir el riesgo de lesiones graves o mortales.

Para afilar el accesorio de corte metálico:

- ▶ Utilice una lima plana para afilar accesorios de corte romos. Si se ha producido un desgaste o mellas más graves, use para el afilado una rectificadora, o acuda al concesionario de servicio STIHL autorizado.
- ▶ Afile con frecuencia, y retire la menor cantidad de metal posible para dar forma a un buen filo. Por lo general, dos o tres pasadas de la lima son suficientes.
- ▶ Afile los filos de corte de manera uniforme. Procure no alterar el contorno del cuerpo de la cuchilla.
- ▶ En las instrucciones del embalaje del accesorio de corte encontrará información adicional sobre el afilado. Guarde el embalaje, para poder consultar las instrucciones en el futuro.








Para equilibrar el accesorio de corte metálico:

- ▶ Después de afilarla aproximadamente 5 veces, revise la herramienta de corte con un equilibrador STIHL (accesorio especial), o encargue a un concesionario de servicio STIHL autorizado que la revise y vuelva a ajustar el equilibrio si fuera necesario.



## 23 Guía de solución de problemas

### 23.1 Motoguadaña / desmalezadora y batería

Siempre retire la batería antes de realizar cualquier trabajo de inspección, limpieza o mantenimiento.

Problema	LED de la batería	Causa	Solución
La motoguadaña / desmalezadora no arranca cuando se enciende.		No hay contacto eléctrico entre la motoguadaña / desmalezadora y la batería.	<ul style="list-style-type: none"> <li>▶ Retire la batería,  14.2.</li> <li>▶ Inspeccione visualmente los contactos eléctricos del compartimiento de la batería y de la batería.</li> <li>▶ Vuelva a colocar la batería,  14.1.</li> </ul>
	1 LED destella en verde.  Gama STIHL AR: se emiten cuatro pitidos largos (AR L: seis pitidos).	La batería tiene poca carga.	▶ Cargue la batería,  9.
	1 LED se ilumina en rojo.	La batería está demasiado caliente/demasiado fría.	▶ Espere a que la batería se caliente o se enfríe gradualmente hasta alcanzar una temperatura ambiente de entre 50 °F y 68 °F aproximadamente (de 10 °C a 20 °C).
	4 LED destellan en rojo.  Gama STIHL AR: además, se emite una sucesión rápida de pitidos cortos.	La batería no funciona correctamente.	<ul style="list-style-type: none"> <li>▶ Retire la batería y colóquela de nuevo,  14.</li> <li>▶ Encienda la motoguadaña / desmalezadora,  15.1.</li> <li>▶ Si los LED siguen destellando, no intente usar la máquina. La batería no funciona correctamente, y es necesario cambiarla.</li> </ul>
	3 LED se iluminan en rojo.	La motoguadaña / desmalezadora está demasiado caliente.	▶ Espere a que la motoguadaña / desmalezadora se enfríe.
	3 LED destellan en rojo.	Avería en la motoguadaña / desmalezadora.	<ul style="list-style-type: none"> <li>▶ Retire la batería y colóquela de nuevo,  14.</li> <li>▶ Encienda la motoguadaña / desmalezadora,  15.1.</li> <li>▶ Si los LED siguen destellando, no intente usar la máquina. La motoguadaña / desmalezadora está averiada. Llévela al concesionario de servicio para que la revisen.</li> </ul>

**Siempre retire la batería antes de realizar cualquier trabajo de inspección, limpieza o mantenimiento.**

Problema	LED de la batería	Causa	Solución
		El gatillo ya se había apretado antes de deslizar el pestillo de retención hacia delante.	► Encienda la motoguadaña / desmalezadora como se describe en este manual de instrucciones.
La motoguadaña / desmalezadora se apaga durante el funcionamiento.	1 LED se ilumina en rojo.	La batería está demasiado caliente/demasiado fría.	► Retire la batería,  14.2. ► Deje que la motoguadaña / desmalezadora y la batería se enfrien gradualmente, hasta que alcancen una temperatura ambiente de entre 50 °F y 68 °F aproximadamente (entre 10 °C y 20 °C).
	3 LED se iluminan en rojo.	La motoguadaña / desmalezadora está demasiado caliente.	
El tiempo de funcionamiento es demasiado corto.		La batería no está completamente cargada.	► Cargue la batería,  9.
		Se alcanzó o se superó la vida útil de la batería.	► Lleve la batería a un concesionario de servicio STIHL autorizado para que la revisen.
No se pueden ajustar distintos niveles de potencia.		El gatillo está apretado y la motoguadaña / desmalezadora, encendida.	► Suelte el gatillo y mantenga apretado solo el bloqueo del gatillo. ► Seleccione el nivel de potencia como se describe en este manual de instrucciones.
La batería no se carga, aunque el LED del cargador está encendido en verde.	1 LED se ilumina en rojo.	La batería está demasiado caliente/demasiado fría.	► Espere a que la batería se caliente o se enfríe gradualmente hasta alcanzar una temperatura ambiente de entre 50 °F y 68 °F aproximadamente (de 10 °C a 20 °C). ► Utilice el cargador únicamente en lugares cerrados y secos a temperaturas ambiente de entre 41 °F y 104 °F (de 5 °C a 40 °C).



## 24 Especificaciones

### 24.1 STIHL FSA 135 R

- Tipos de batería aprobados:
  - Gama STIHL AP
  - Gama STIHL AR
- Peso sin deflector ni accesorio de corte: 10,1 lbs. (4,6 kg)
- Largo: 74,2 in. (1885 mm)


Si necesita información técnica sobre las baterías de las gamas AP y AR / AR L de STIHL, consulte la información de producto adjunta con su batería.

Si necesita información técnica sobre los cargadores de las gamas AL 101, 300 y 500 de STIHL, consulte la información de producto que se adjunta con su cargador.

Las baterías, los cargadores y otros accesorios se venden por separado. Póngase en contacto con su concesionario de servicio STIHL autorizado para obtener información sobre precios y disponibilidad.

### 24.2 Símbolos de la herramienta motorizada, del deflector y de la batería

Símbolo	Significado
V	Voltio
Hz	Hercio
A	Amperio
Ah	Amperio-hora
W	Vatio
Wh	Vatio-hora
AC	Corriente alterna
IP20	Grado de protección eléctrica

- 
 Deslice el pestillo de retención hacia delante para encender la motoguadaña / desmalezadora y para seleccionar el nivel de potencia deseado.



Símbolo de encendido en el pestillo de retención.



Símbolo en el deflector que indica el sentido de giro correcto del accesorio de corte.

max Ø XXX Diámetro máximo permitido del accesorio de corte



Velocidad nominal del accesorio de corte




Número de pilas y energía acumulada de acuerdo con las especificaciones del fabricante de las pilas. La cantidad de energía aprovechable será menor.



Marca de certificación/listado de CSA



Los productos STIHL no se deben eliminar junto con la basura doméstica, sino de acuerdo con las leyes y normas locales, estatales y federales que se especifican en este manual,  27.



El sello RBRC indica que STIHL ha pagado por adelantado por el reciclaje de la batería

### 24.3 Mejoramientos técnicos

STIHL tiene la filosofía de mejorar continuamente todos sus productos. Como resultado de ello, periódicamente se introducen cambios de diseño y mejoras. Por lo tanto, es posible que algunos cambios, modificaciones y mejoras no se describan en este manual. Si las características de funcionamiento o la apariencia de su máquina difieren de las descritas en este manual, comuníquese con el concesionario STIHL para obtener la ayuda que requiera.

## 24.4 Declaración de cumplimiento con norma FCC 15

Este dispositivo cumple con la parte 15 de las normas de la FCC.

El funcionamiento está sujeto a las dos condiciones dadas a continuación:

- este dispositivo no deberá causar interferencias nocivas.
- este dispositivo deberá aceptar todas las interferencias que reciba, incluso las interferencias que pudieran causar un funcionamiento no deseado.

Nota: Este equipo ha sido sometido a prueba y se ha hallado que cumple con los límites de los dispositivos digitales Categoría B, según la parte 15 del Reglamento de la FCC. Estos límites están diseñados para ofrecer protección razonable contra las interferencias nocivas en una instalación residencial. Este equipo genera, utiliza y puede irradiar energía a radiofrecuencias y, si no se lo instala y utiliza conforme a las presentes instrucciones, podría causar interferencias nocivas para las comunicaciones por radio. No obstante, no se ofrece garantía alguna de que la interferencia no ocurrirá en una instalación particular.

Si este equipo llegara a causar interferencias perjudiciales a la recepción de radio o televisión, lo cual puede determinarse encendiendo y apagando el equipo, se le indica al usuario que intente corregir la interferencia por medio de tomar una o más de las medidas siguientes:

- reoriente o cambie la ubicación de la antena de recepción,
- aumente la separación entre el equipo y el receptor,
- conecte el equipo a un tomacorriente de un circuito diferente al cual está conectado el receptor,
- consulte a un concesionario de servicio STIHL autorizado o a un técnico de radio/TV experto para recibir ayuda.

No cambie ni modifique este producto en modo alguno, a menos que se le indique específicamente hacerlo en este manual, puesto que podría anular la autoridad de usarlo.

## 25 Combinaciones aprobadas de deflector, accesorio de corte, mango y arnés

### 25.1 STIHL FSA 135 R

El modelo FSA 135 R está aprobado únicamente para el uso con los siguientes accesorios de corte:

Accesorios de corte	Deflectores	Mango	Arneses
Cabezas segadoras con hilo redondo "silencioso" con un diámetro de 0,095 in. (2,4 mm): – AutoCut 25-2 (1) – AutoCut 36-2 (2) – AutoCut C 26-2 (3) – SuperCut 20-2 (4) – DuroCut 20-2 (5) – FixCut 31-2 (6) – TrimCut C 32-2 (7)	– Deflector para cabezas segadoras (11) – Deflector para accesorios de corte metálicos con faldilla y cuchilla limitadora del hilo (12)	– Mango circular (14) – Mango circular con barra de defensa (15)	Opcional: – Correa para el hombro (16) – Arnés completo (17) con sistema de soltado rápido – Batería tipo mochila STIHL AR en combinación con almohadilla para la cadera (18) – Cinturón para batería STIHL con bolsa de batería STIHL AP con cordón de conexión en combinación con la correa para el hombro (19) – Cinturón para batería STIHL con bolsa de batería STIHL AP con cordón de conexión en combinación con arnés para el hombro y almohadilla para la cadera (20) – Batería tipo mochila STIHL en combinación con almohadilla para la cadera (21)

**El modelo FSA 135 R está aprobado únicamente para el uso con los siguientes accesorios de corte:**

Accesorios de corte	Deflectores	Mango	Arneses
Diámetro de 9 in. (230 mm) – Cuchilla para pasto 230-4 <b>(8)</b> – Cuchilla para pasto 230-8 <b>(9)</b>	– Deflector para accesorios de corte metálicos sin faldilla <b>(13)</b>	– Mango circular con barra de defensa <b>(15)</b>	Necesario: – Correa para el hombro <b>(16)</b> – Arnés completo <b>(17)</b> con sistema de soltado rápido – Batería tipo mochila STIHL AR en combinación con almohadilla para la cadera <b>(18)</b> – Cinturón para batería STIHL con bolsa de batería STIHL AP con cordón de conexión en combinación con la correa para el hombro <b>(19)</b> – Cinturón para batería STIHL con bolsa de batería STIHL AP con cordón de conexión en combinación con arnés para el hombro y almohadilla para la cadera <b>(20)</b> – Batería tipo mochila STIHL en combinación con almohadilla para la cadera <b>(21)</b>
Diámetro de 9,8 in. (250 mm) – Cuchilla para matorrales 250-3 <b>(10)</b>			

**Descripción de los accesorios de corte**



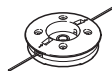
AutoCut 25-2 **(1)**

AutoCut 36-2 **(2)**

AutoCut C 26-2 **(3)**



SuperCut 20-2 **(4)**



DuroCut 20-2 **(5)**



FixCut 31-2 **(6)**



TrimCut C 32-2 (7)



Cuchilla para pasto 230-4 (8)

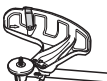


Cuchilla para pasto 230-8 (9)



Cuchilla para matorrales 250-3 (10)

### Descripción de los deflectores



Deflector para cabezas segadoras (11)



Deflector para accesorios de corte metálicos con faldilla y cuchilla limitadora del hilo (12)



Deflector para accesorios de corte metálicos sin faldilla (13)

### Descripción de los mangos



Mango circular (14)



Mango circular con barra de defensa (15)

### Descripción de los arneses



Correa para el hombro (16)



Arnés completo (17) con sistema de soltado rápido



Batería tipo mochila STIHL AR en combinación con almohadilla para la cadera (18)



Cinturón para batería STIHL con bolsa de batería STIHL AP con cordón de conexión en combinación con la correa para el hombro (19)



Cinturón para batería STIHL con bolsa de batería STIHL AP con cordón de conexión en combinación con arnés para el hombro y almohadilla para la cadera (20)



Batería tipo mochila STIHL en combinación con almohadilla para la cadera (21)

### ⚠ ADVERTENCIA

Para reducir el riesgo de lesiones causadas por objetos que salen despedidos y por contacto con el accesorio de corte, nunca use la motoguadaña / desmalezadora sin el deflector, el mango circular y el arnés adecuados, 5.7.4. Asegúrese de que el deflector y el mango circular están montados y ajustados correctamente en todo momento mientras trabaja.

**⚠ ADVERTENCIA**

Para reducir el riesgo de lesiones provocadas por una pérdida de control y por contacto con el accesorio de corte, asegúrese de que su máquina está equipada con el mango, el deflector y el arnés adecuados. Use cuchillas metálicas para pasto y cuchillas para matorrales en esta máquina solo si está equipada con un mango circular con barra de defensa y arnés.


**⚠ ADVERTENCIA**

El operador debe poder desenganchar el arnés rápidamente en caso de emergencia. Para reducir el riesgo de lesiones en caso de emergencia:

- ▶ Practique el proceso de desenganchar y depositar la herramienta motorizada, como haría en caso de emergencia. Para evitar daños, no tire la herramienta motorizada al suelo cuando esté practicando.

## 26 Piezas y equipos de repuesto

### 26.1 Piezas de repuesto originales de STIHL

STIHL recomienda el uso de piezas de repuesto originales de STIHL. Es posible identificar las piezas originales de STIHL por el número de pieza STIHL, el logotipo de **STIHL** y, en ciertos casos, el símbolo  de piezas STIHL. En las piezas pequeñas el símbolo puede aparecer solo.

## 27 Eliminación

### 27.1 Desecho de la herramienta motorizada

Los productos STIHL no se deben desechar junto con la basura del hogar, sino de la manera en que se detalla en este manual.

- ▶ Tome la herramienta motorizada y su embalaje a un sitio aprobado para desecharla y que efectúe un reciclaje no dañino al medio ambiente.

- ▶ Comuníquese con un concesionario de servicio STIHL autorizado para obtener la información más actualizada sobre eliminación y reciclado.

### 27.2 Reciclado de las baterías

**⚠ ADVERTENCIA**

Manipule las baterías descargadas/agotadas con cuidado. Aunque parezca que están descargadas, las baterías de ion de litio nunca se descargan completamente y pueden generar una corriente de cortocircuito peligrosa. Si se dañan o exponen a temperaturas extremas, pueden perder líquido, generar calor, incendiarse o explotar.

- ▶ Respete todas las leyes y normas federales, estatales y locales sobre eliminación de desechos.
- ▶ Comuníquese con un concesionario de servicio STIHL autorizado para obtener la información más actualizada acerca de la eliminación de desechos.
- ▶ Recicle las baterías agotadas rápidamente.
- ▶ Mantenga las baterías alejadas de los niños. No desarme el producto ni lo incinere.



STIHL está comprometida con el desarrollo de productos que protejan el medio ambiente. Este compromiso no termina cuando el producto sale del concesionario de servicio STIHL autorizado. STIHL se asoció con la RBRC (Corporación de Reciclaje de Baterías Recargables) para fomentar la recolección y el reciclado de baterías de ion de litio STIHL en los Estados Unidos y Canadá.

El sello de la RBRC indica que STIHL ya aportó dinero para el reciclado de la batería. El sello de la RBRC lleva impreso un número telefónico gratuito (1-800-822-8837) que le permite acceder a información sobre lugares de reciclaje de baterías y prohibiciones o restricciones respecto del reciclado de baterías en su zona. También puede devolver las baterías a cualquier concesionario de servicio STIHL autorizado para reciclarlas gratuitamente.

## 28 Garantía limitada

### 28.1 Política de garantía limitada de STIHL Incorporated

Este producto se vende sujeto a la Política de garantía limitada de STIHL Incorporated, disponible en [www.stihlusa.com/warranty.html](http://www.stihlusa.com/warranty.html). También puede obtenerlo de un concesionario de servicio STIHL autorizado o llamando al 1-800-GO-STIHL (1-800-467-8445).

### 28.2 DECLARACIÓN DE GARANTÍA DE STIHL Incorporated SOBRE SISTEMAS DE CONTROL DE EMISIONES SEGÚN NORMAS DE CALIFORNIA

Solamente para California

#### SUS DERECHOS Y OBLIGACIONES DE GARANTÍA

El Consejo de Recursos del Aire del Estado de California (CARB) y STIHL Incorporated se complacen en explicarle la Garantía del sistema de control de emisiones instalado en el motor con emisiones nulas de su equipo pequeño de uso fuera de carretera para el año 2020 y posteriores.

En California, el equipo nuevo que tiene motores pequeños con emisiones nulas para uso fuera de carretera debe estar diseñado, construido y equipado de conformidad con las rigurosas normas de contaminación del aire del estado. STIHL Incorporated debe garantizar el sistema de control de emisiones en el motor pequeño con emisiones nulas para uso fuera de carretera por los intervalos mencionados más adelante, siempre que dicho motor o equipo no haya estado sujeto a maltrato, negligencia o cuidado inapropiado que causara la falla del sistema de control de emisiones.

El sistema de control de emisiones puede contar con componentes tales como un motor con emisiones nulas, una unidad de control del motor, una batería y un cargador de baterías.

En los casos de existir una condición amparada bajo garantía, STIHL Incorporated reparará el motor pequeño con emisiones nulas para equipo de uso fuera de carretera sin costo alguno, incluido el diagnóstico, las piezas y la mano de obra.

#### RESPONSABILIDADES DEL FABRICANTE RELATIVAS A LA GARANTÍA

El sistema de control de emisiones del motor pequeño con emisiones nulas de su equipo para uso fuera de carretera tiene una garantía de dos años. En el caso de encontrarse defectos en cualquiera de los componentes del motor pequeño con emisiones nulas para uso fuera de carretera relacionados con el sistema de control de emisiones, el mismo será reparado o sustituido por STIHL Incorporated sin costo alguno.

#### RESPONSABILIDADES DEL PROPIETARIO RELATIVAS A LA GARANTÍA

Como propietario de motor pequeño con emisiones nulas para equipo de uso fuera de carretera, usted tiene la responsabilidad de realizar el mantenimiento requerido descrito en su manual de instrucciones. STIHL Incorporated le recomienda guardar todos los recibos comprobantes de los trabajos de mantenimiento hechos a su Motor pequeño con emisiones nulas para equipo de uso fuera de carretera, pero STIHL Incorporated no puede negar garantía basado en el solo hecho de faltar los recibos o del incumplimiento del propietario de realizar todos los trabajos de mantenimiento programados.

Sin embargo, como propietario del motor pequeño con emisiones nulas para equipo de uso fuera de carretera usted debe ser consciente de que STIHL Incorporated puede negarle cobertura de garantía si dicho motor o un componente del mismo ha fallado debido a maltrato, descuido, mantenimiento inadecuado o modificaciones no autorizadas.

Usted es responsable de llevar el motor pequeño con emisiones nulas para equipo de uso fuera de carretera a un concesionario de servicio STIHL tan pronto surja el problema. Las reparaciones bajo garantía deben realizarse en un tiempo razonable, sin exceder de 30 días.

Ante cualquier duda respecto a sus derechos y responsabilidades bajo esta garantía, sírvase contactar al representante de atención al cliente STIHL llamando al 1-800-467-8445, o si lo prefiere puede escribir a

STIHL Incorporated  
536 Viking Drive  
P.O. Box 2015  
Virginia Beach, VA  
23452-2015  
www.stihlusa.com

### **COBERTURA POR STIHL INCORPORATED**

STIHL Incorporated garantiza al último comprador y a cada comprador subsiguiente que el motor pequeño con emisiones nulas para equipo de uso fuera de carretera está diseñado, construido y equipado, al tiempo de la venta, de conformidad con todos los reglamentos acerca de emisiones aplicables.

Además, STIHL Incorporated garantiza al comprador inicial y a cada comprador subsiguiente que el motor con emisiones nulas está libre de defectos en el material y fabricación que puedan causar el incumplimiento de los reglamentos acerca de emisiones aplicables durante un período de dos años.

### **PERÍODO DE GARANTÍA CONTRA DEFECTOS**

El período de garantía comenzará el día en que el motor con emisiones nulas de equipo utilitario es comprado por el comprador inicial. Si cualquier componente relacionado con el sistema de control de emisiones nulas está defectuoso, el mismo será sustituido por STIHL Incorporated sin costo alguno para el propietario.

No se permite usar componentes adicionales o modificados que no hayan sido eximidos por el Consejo de Recursos del Aire (CARB). El uso de cualquier componente adicional o modificado no eximido será motivo para la denegación del reclamo bajo garantía. STIHL Incorporated no es

responsable por las fallas de los componentes garantizados causadas por el uso de un componente adicional o modificado no eximido.

La garantía de los componentes relacionados con el control de emisiones se interpretará de la manera siguiente:

- 1) Cualquier componente garantizado cuyo reemplazo no está programado como mantenimiento requerido en las instrucciones escritas requeridas en la Lista de Piezas bajo la Garantía de Control de Emisiones (vea más abajo) debe garantizarse por el período de garantía definido en la subsección COBERTURA POR STIHL INCORPORATED, vea más arriba. Si uno de estos componentes falla durante el período de garantía, el fabricante debe reparar o sustituir el mismo de acuerdo con la subsección (4) más abajo. Un componente reparado o sustituido bajo la garantía debe garantizarse durante el resto del período de garantía.
- 2) Cualquier componente garantizado que solamente debe inspeccionarse periódicamente de acuerdo con las instrucciones escritas requeridas en la Lista de Piezas bajo la Garantía de Control de Emisiones (vea más abajo) debe garantizarse por el período de garantía definido en la subsección COBERTURA POR STIHL INCORPORATED, vea más arriba. Una declaración en las instrucciones escritas tal como "reparar o sustituir según sea necesario" no acortará el período de cobertura de garantía. Un componente de este tipo reparado o sustituido bajo la garantía debe garantizarse durante el resto del período de garantía.
- 3) Cualquier componente garantizado que debe sustituirse como un elemento de mantenimiento requerido en las instrucciones escritas requeridas por la lista de piezas bajo la garantía de control de emisiones (vea más abajo) debe garantizarse por el intervalo antes del primer punto de sustitución programado para este componente. Si el componente falla antes del primer punto de sustitución programado, el fabricante del motor con emisiones nulas debe reparar o sustituir el mismo de acuerdo con la subsección (4) más abajo. Un componente de este tipo reparado o sustituido bajo la garantía debe garantizarse durante el resto del período de garantía antes del primer punto de sustitución programado para el componente.



- 4) La reparación o sustitución de cualquier componente garantizado debe llevarse a cabo en una estación de reparaciones bajo garantía sin costo alguno para el propietario.
- 5) No obstante lo expuesto en la subsección (4) de arriba, los servicios o las reparaciones bajo garantía pueden obtenerse en todos los centros de distribución del fabricante autorizados para dar servicio a los motores con emisiones nulas en cuestión.
- 6) Al propietario no se le debe cobrar el trabajo del diagnóstico que establece que el componente garantizado es de hecho defectuoso, a condición de que tal trabajo de diagnóstico se realice en una estación de reparaciones bajo garantía.

### TRABAJO BAJO GARANTÍA

STIHL Incorporated reparará los defectos amparados por la garantía en cualquier estación de garantía o centro de servicio autorizado por STIHL. Todo trabajo de este tipo se hará gratis para el propietario siempre que se determine que la pieza cubierta por la garantía está defectuosa. Se puede usar cualquier pieza de repuesto aprobada por el fabricante o equivalente para el mantenimiento o la reparación de los componentes relacionados con el sistema de control de emisiones, y la misma debe ser suministrada gratis al propietario. STIHL Incorporated es responsable por daños a otros componentes del motor con emisiones nulas causados por la falla de una pieza garantizada que todavía está bajo garantía.

### LISTA DE PIEZAS BAJO LA GARANTÍA DE EMISIONES

Motor, batería, cargador de baterías, unidad de control del motor

### DÓNDE PRESENTAR EL RECLAMO PARA SERVICIO BAJO GARANTÍA

Lleve el producto STIHL a un centro de servicio de STIHL en su localidad.

### LIMITACIONES

La reparación o la sustitución de cualquier componente garantizado y normalmente abarcado por la garantía se puede excluir de la garantía si STIHL Incorporated demuestra el maltrato, negligencia o mantenimiento incorrecto del producto de STIHL, y que tal maltrato, negligencia, o mantenimiento incorrecto era la causa directa de la necesidad de reparación o sustitución del componente. A pesar de lo anterior, el ajuste de un componente que tiene un dispositivo limitador instalado en fábrica y funcionando correctamente no perjudicará la cobertura bajo garantía.

## 29 Marcas comerciales

### 29.1 Marcas comerciales registradas

STIHL®

**STIHL®**

**GI®**

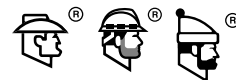
La combinación de colores anaranjado-gris (Registros en EE. UU. #2,821,860; #3,010,057; #3,010,058; #3,400,477; y #3,400,476)

AutoCut®

YARD BOSS®

STIHL ROLLOMATIC®

WOOD BOSS®



FARM BOSS®

iCademy®

MAGNUM®

MasterWrench Service®

MotoMix®

OILOMATIC®

ROCK BOSS®

STIHL Cutquik®

STIHL DUROMATIC®

STIHL Quickstop®



STIHL WOOD BOSS®

TIMBERSPORTS®



### 29.2 Marcas comerciales por ley común

4-MIX™	HT Plus™
BioPlus™	STIHL PowerSweep™
Easy2Start™	STIHL Protech™

EasySpool™	STIHL MiniBoss™
ElastoStart™	STIHL MotoPlus 4™
Ematic™	Master Control Lever™
STIHL Precision Series™	STIHL OUTFITTERS™
FixCut™	STIHL PICCO™
Micro™	TrimCut™
Pro Mark™	STIHL M-Tronic™
Quad Power™	STIHL HomeScaper Series™
Quiet Line™	STIHL PolyCut™
STIHL Arctic™	STIHL RAPID™
STIHL Compact™	STIHL SuperCut™
STIHL Interchangeable Attachment Series™	STIHL Multi-Cut HomeScaper Series™
TapAction™	STIHL Territory™
	

Esta lista de marcas comerciales está sujeta a cambios.

Queda terminantemente prohibido todo uso de estas marcas comerciales sin el consentimiento expreso por escrito de ANDREAS STIHL AG & Co. KG, Waiblingen.

## 30 Direcciones

### 30.1 STIHL Incorporated

STIHL Incorporated  
536 Viking Drive  
P.O. Box 2015  
Virginia Beach, VA  
23452-2015



**⚠ WARNING**

This trimmer / brushcutter and battery contain chemicals known to the State of California to cause cancer, birth defects or other reproductive harm.

**⚠ ADVERTENCIA**

Esta motoguadaña / este cortadora y esta batería contienen productos químicos considerados por el Estado de California como causantes de cáncer, defectos de nacimiento u otra toxicidad reproductora.

0458-662-8621-A

englisch / spanisch USA



[www.stihl.com](http://www.stihl.com)



0458-662-8621-A