

STIHL

STIHL RE 110 PLUS

Instruction Manual
Manual de instrucciones



WARNING

Read Instruction Manual thoroughly before use and follow all safety precautions – improper use can cause serious or fatal injury.

ADVERTENCIA

Antes de usar la máquina lea y siga todas las precauciones de seguridad dadas en el manual de instrucciones – el uso incorrecto puede causar lesiones graves o mortales.



Instruction Manual

1 - 38

Manual de instrucciones

39 - 77

Contents

1	Introduction	2	11	Switching the Pressure Washer On and Off	23
2	Guide to Using this Manual	2	11.1	Switching On	23
2.1	Signal Words	2	11.2	Switching Off	24
2.2	Symbols in Text	3	12	During Operation	24
3	Main Parts	4	12.1	Unrolling the High-Pressure Hose	24
3.1	Pressure Washer	4	12.2	Activating and Locking the Spray Gun Trigger	24
3.2	Spray Attachment	5	12.3	Adding Detergents	25
4	Safety Symbols on the Product	5	12.4	Cleaning	26
4.1	Pressure Washer	5	13	After Finishing Work	27
5	IMPORTANT SAFETY INSTRUCTIONS	6	13.1	Preparing for Transportation or Storage	27
5.1	General Safety Warnings and Instructions	6	13.2	Protecting the Pressure Washer in Winter Conditions	28
5.2	Intended Use	8	14	Transporting	29
5.3	Operator	8	14.1	Transporting the Pressure Washer	29
5.4	Personal Protective Equipment	9	15	Storing	30
5.5	Pressure Washer	9	15.1	Storing the Pressure Washer	30
5.6	Power Supply Cord	10	16	Cleaning	30
5.7	Connecting the Water Supply	11	16.1	Cleaning the Pressure Washer	30
5.8	Using the Pressure Washer	11	16.2	Cleaning the Nozzle and Spray Lance	30
6	Maintenance, Repair and Storage	16	16.3	Cleaning the Water Intake Screen	31
6.1	Warnings and Instructions	16	17	Inspection and Maintenance	32
7	Before Starting Work	17	17.1	Inspection and Maintenance Chart	32
7.1	Preparing the Pressure Washer for Operation	17	17.2	Inspecting and Maintaining the Pressure Washer	33
8	Assembling the Pressure Washer	17	17.3	Lubricating the Gaskets	33
8.1	Assembling Parts and Accessories	17	18	Troubleshooting Guide	34
8.2	Adjusting the Handle	18	18.1	Pressure Washer	34
8.3	Spray Gun and Lance	19	19	Specifications	36
8.4	Inserting and Removing the Spray Nozzle	20	19.1	STIHL RE 110 PLUS	36
9	Connecting the Water Supply	21	19.2	Symbols on the Pressure Washer	36
9.1	Connecting the Pressure Washer to the Mains Water Supply	21	19.3	Engineering Improvements	36
10	Ground Fault Circuit Interruptor (GFCI)	22	20	Replacement Parts and Equipment	37
10.1	Testing the GFCI	22	20.1	Genuine STIHL Replacement Parts	37
10.2	Resetting the GFCI	23	21	Disposal	37

STIHL

This instruction manual is protected by copyright. All rights reserved, especially the rights to reproduce, translate and process with electronic systems.

22 Limited Warranty	37
22.1 STIHL Incorporated Limited Warranty Policy	37
23 Trademarks	37
23.1 Registered Trademarks	37
23.2 Common Law Trademarks	37
24 Addresses	38
24.1 STIHL Incorporated	38

1 Introduction

Thank you for your purchase. The information contained in this manual will help you receive maximum performance and satisfaction from your STIHL pressure washer and, if followed, reduce the risk of injury from its use.

SAVE THIS MANUAL!



Because the pressure washer is electrically powered and produces a strong water jet, special safety precautions must be observed to reduce the risk of personal injury.



Read this instruction manual thoroughly before use and periodically thereafter. Follow all safety precautions. Careless or improper use of the pressure washer can cause serious or fatal injury.

Have your authorized STIHL servicing dealer show you how to operate your pressure washer.

Do not lend or rent your pressure washer without this instruction manual. Allow only persons who fully understand the information in this manual to operate the pressure washer.

For further information, or if you do not understand any of the instructions in this manual, please go to www.stihlusa.com or contact your authorized STIHL servicing dealer.

2 Guide to Using this Manual

2.1 Signal Words

This manual contains safety information that requires your special attention. Such information is introduced with the following symbols and signal words:



DANGER

Indicates a hazardous situation that, if not avoided, will result in death or serious injury.

 **WARNING**


Indicates a hazardous situation that, if not avoided, could result in death or serious injury.

NOTICE

Indicates a risk of property damage, including damage to the machine or its individual components.

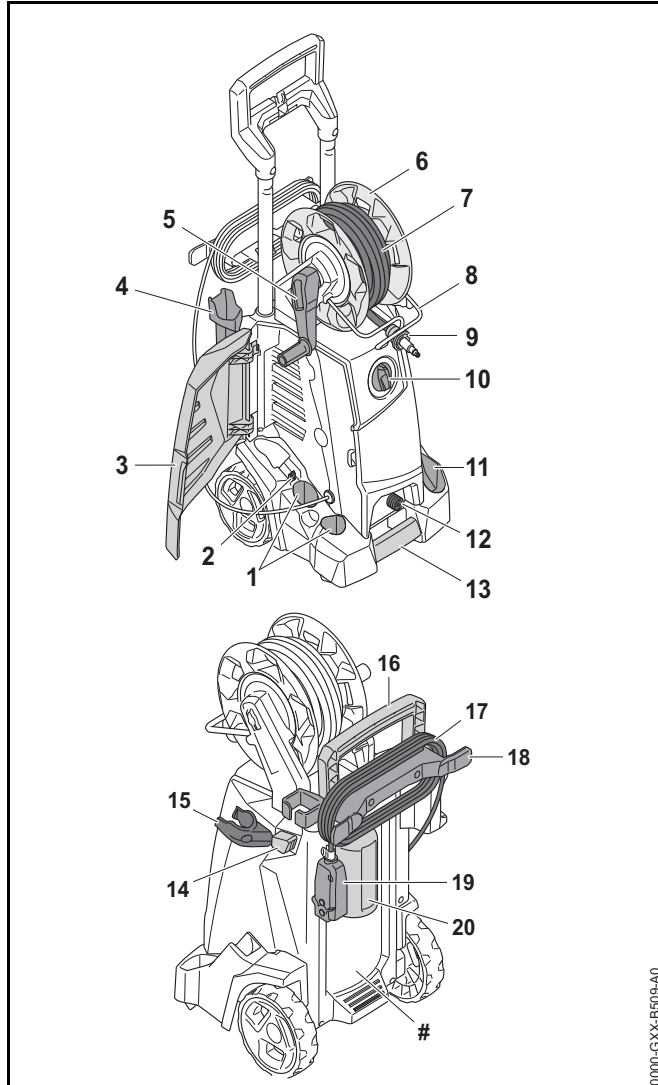
2.2 Symbols in Text

The following symbol is included to assist you with the use of the manual:

 Refers to a designated chapter or sub-chapter in this instruction manual.

3 Main Parts

3.1 Pressure Washer



0000-GYX-B509-A0

- 1 Storage Compartment**
For storing the high-pressure nozzles.
- 2 Cleaning Needle**
For removing dirt and debris from the spray nozzles.
- 3 Cover**
Covers the high-pressure nozzles and cleaning needle.
- 4 Holder for Spray Gun**
For storing the spray gun.
- 5 Crank Handle**
For turning the hose reel.
- 6 Hose Reel**
For rolling up the high-pressure hose.
- 7 High-pressure Hose**
Carries the water from the high-pressure pump to the spray gun.
- 8 Guide Bar**
Guides the high-pressure hose onto the hose reel.
- 9 Coupling**
For connecting the high-pressure hose to the spray gun.
- 10 Power Switch**
Switches the motor on and off.
- 11 Holder for Spray Attachment**
For storing the spray gun and spray lance.
- 12 Connector for Water Inlet**
For connecting the water hose to the high-pressure pump.
- 13 Carrying Handle**
For lifting and transporting the pressure washer.
- 14 Release Button**
Unlocks the pushbar to allow height adjustment.
- 15 Holder for Spray Attachment**
For storing the spray gun and spray lance.
- 16 Pushbar**
For transporting the pressure washer.

17 Power Supply Cord

Supplies the pressure washer with electricity when connected to an electrical outlet (power supply).

18 Brackets for Power Supply Cord

For storing the power supply cord.

19 Plug with GFCI

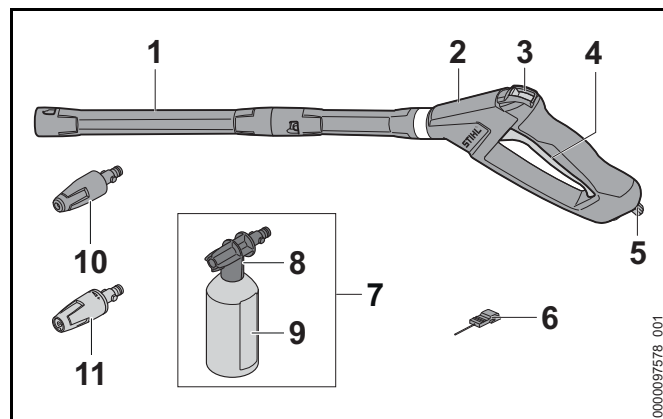
Connects the power supply cord to an electrical outlet. The integrated GFCI is designed to reduce the risk of electric shock.

20 Holder for Detergent Spray Set

For storing the detergent spray set.

Rating Plate

Contains electrical information and the product's serial number.

3.2 Spray Attachment**1 Spray Lance**

Directs the water from the spray gun to the high-pressure nozzle.

2 Spray Gun

For controlling and directing the water jet.

3 Retaining Latch

Locks/unlocks the spray gun trigger.

4 Spray Gun Trigger

Opens and closes the valve in the spray gun.

5 Coupling for High-Pressure Hose

For connecting the high-pressure hose to the spray gun.

6 Cleaning Needle

For removing dirt and debris from the spray nozzles.

7 Detergent Spray Set

Used for adding detergents.

8 Detergent Nozzle

Designed to mix and spray detergent with water.

9 Detergent Bottle

For adding detergent while cleaning.

10 Rotary-jet Nozzle

Rotating nozzle for removing stubborn dirt.

11 Fan-jet Nozzle

Universal nozzle for cleaning larger surfaces.

4 Safety Symbols on the Product**4.1 Pressure Washer**

The following safety symbols are found on the pressure washer:



To reduce the risk of injury, follow the specified safety precautions.



Read and follow all safety precautions in the instruction manual. Improper use can lead to serious or fatal personal injury or property damage.



To reduce the risk of eye injury, always wear proper eye protection. 5.4.



To reduce the risk of cut injuries, keep hands, feet and other body parts away from the water jet, 5.8.4.



To reduce the risk of serious or fatal injury to the operator or bystanders, never direct the high-pressure jet toward the operator, bystanders or animals, not even to clean clothing or shoes, 5.8.4.



To reduce the risk of short-circuiting, fire and electrocution, never spray near power sources. Do not rely on the pressure washer's insulation against electric shock, 5.8.4.



To reduce the risk of short-circuiting, fire and electrocution, never direct the spray at electrical appliances and equipment, sockets or power cords, 5.8.4.



To reduce the risk of injury or property damage, immediately disconnect the pressure washer from the power supply if the power supply cord is damaged, 12.



To reduce the risk of fire/explosion resulting in serious or fatal injury or property damage, never spray flammable or combustible liquids, 5.8.4.



To reduce the risk of damage to the pressure washer, do not allow the pressure washer to be used or stored in freezing temperatures. Store the pressure washer indoors in a dry, secure place that cannot be accessed by children or other unauthorized users, 6.

5 IMPORTANT SAFETY INSTRUCTIONS

5.1 General Safety Warnings and Instructions

This section contains the prescribed general safety warnings and instructions for electric high-pressure cleaners / pressure washers. Additional important warnings and instructions are provided in subsequent sections of this manual.

WARNING

When using electric pressure washers, basic safety precautions should always be followed to reduce the risk of fire, electric shock and personal injury, including the following:

- 1) Read all the instructions before using the product.
- 2) To reduce the risk of injury, close supervision is necessary when a product is used near children.
- 3) Know how to stop the product and bleed pressures quickly. Be thoroughly familiar with the controls.
- 4) Stay alert – watch what you are doing.
- 5) Do not operate the product when fatigued or under the influence of alcohol or drugs.
- 6) Keep operating area clear of all persons.
- 7) Do not overreach or stand on unstable support. Keep good footing and balance at all times.
- 8) Follow the maintenance instructions specified in the manual.
- 9) This product is provided with a Ground Fault Circuit Interrupter built into the power cord or plug. If replacement of the Ground Fault Circuit Interrupter or cord is needed, use only identical replacement parts.
- 10) WARNING – Risk of eye injury. Spray can splash back or propel objects. Always wear properly rated eye protection such as safety goggles or face shield while spraying. (Safety glasses do not provide full protection.)

GROUNDING INSTRUCTIONS**⚠ WARNING**

- This product must be grounded. If it should malfunction or break down, grounding provides a path of least resistance for electric current to reduce the risk of electric shock. This product is equipped with a cord having an equipment grounding conductor and a ground pin. The plug must be plugged into an appropriate electrical outlet that is properly installed and grounded in accordance with all local codes and ordinances.
- Improper connection of the equipment-grounding conductor can result in a risk of electrocution. Check with a qualified electrician or service personnel if you are in doubt as to whether the electrical outlet is properly grounded. Do not modify the plug provided with the product – if it will not fit the outlet, have a proper outlet installed by a qualified electrician. Do not use any type of adapter with this product.

GROUND FAULT CIRCUIT INTERRUPTER PROTECTION**⚠ WARNING**

- This pressure washer is provided with a "ground fault circuit interrupter" (GFCI) built into the plug or the power-supply cord. This device provides additional protection from the risk of electric shock. Should replacement of the ground-fault circuit-interrupter or cord become necessary, use only identical replacement parts.

EXTENSION CORDS**⚠ WARNING**

- Risk of electrocution. Use of an extension cord could cause electric shock or burn, resulting in death or serious injury.
- Do not use an extension cord with this electric pressure washer. Your electrical circuit receptacle or extension cord may not provide lifesaving protection with a ground fault circuit interrupter.

- This pressure washer is equipped with a "ground fault circuit interrupter" (GFCI) built into the power supply cord. Do not use an extension cord with this electric pressure washer.

INDIVIDUAL BRANCH CIRCUIT**⚠ WARNING**

- Connect to Individual Branch Circuit Only. An individual branch circuit is an electric circuit designed for powering a single electric device. Running several devices on one electrical circuit may lead to an overload and cause the circuit breaker or fuse to trip.

ADDITIONAL SAFETY INFORMATION**⚠ WARNING**

- Read and follow all safety precautions on labels and in instruction manual. Failure to follow these instructions can cause serious or fatal injury.
- Spray jet can splash back and propel objects at high speed. To reduce the risk of eye injury, always wear goggles that are impact-rated and comply with ANSI Z87 "+". Goggles must also be rated for protection against droplet/splash hazards according to ANSI Z87.1.
- Keep bystanders and animals out of the work area.
- Always wear hearing protection.
- See rating plate for maximum discharge pressure and maximum discharge temperature – use only high pressure hoses and accessories rated for these amounts or above. Use only genuine STIHL replacement parts.
- Spray gun produces strong recoil (kickback) opposite to direction of spray. Hold firmly with both hands to reduce the risk of injury from loss of control.
- Because of high pressure and water velocity, spray jet is very powerful. To reduce risk of severe lacerations and injection of fluids below the skin, never direct spray jet towards self, other persons or

animals. Keep clear of nozzle while machine is operating. Make sure spray jet does not damage object being cleaned.

- To reduce risk of fire and explosion, never spray flammable liquids.
- To reduce risk of serious or fatal injury from electric shock, never use pressure washer if its power cord is cut, cracked, worn or damaged. Immediately disconnect a damaged cord.
- To reduce risk of electrocution and fire, never direct spray jet towards the machine itself, other electrical appliances or equipment, sockets or power cords. Never spray near power source.
- Protect against frost.
- Store indoors.
- If connection is made to a potable water system, the system must be protected against backflow.

RISK OF ELECTROCUTION

⚠ WARNING

- Connect only to properly grounded outlet. Do not remove ground pin.
- Inspect cord before using – do not use if cord is damaged.
- Keep all connections dry and off the ground.
- Do not touch plug with wet hands.
- This product is provided with a ground fault circuit interrupter built into the cord plug. If replacement of the plug or cord is needed, use only identical replacement parts.
- Do not use an extension cord.
- Read instruction manual before using.

5.2 Intended Use

⚠ WARNING

- This pressure washer is designed for cleaning jobs around the home and garden, cleaning garden furniture, walkways, patios, vehicles, trailers and other similar applications.
- Use your pressure washer only for cleaning solid surfaces and other items that will not be damaged by water or the force of the spray jet.
- Use the pressure washer only as described in this manual. Do not use it for other purposes, since misuse may result in personal injury or property damage, including damage to the pressure washer.
 - Never attempt to modify or override the pressure washer's controls or safety devices in any way.
 - Never use a pressure washer that has been modified or altered from its original design.

5.3 Operator

⚠ WARNING

- Working with the pressure washer can be strenuous. The operator must be in good physical condition and mental health. To reduce the risk of personal injury from fatigue and loss of control:
 - Check with your doctor before using the pressure washer if you have any health condition that may be aggravated by strenuous work.
 - Do not operate the pressure washer while under the influence of any substance (drug, alcohol or medication, etc.) that might impair vision, balance, dexterity or judgment.
 - Be alert. Do not operate the pressure washer when you are tired. Take a break if you become tired.
 - Do not permit minors to use the pressure washer.
 - Bystanders, especially children, and animals should not be allowed in the area where the pressure washer is in use.

- According to STIHL's current knowledge, the electric motor of this pressure washer should not interfere with a pacemaker.
 - However, persons with a pacemaker or other implanted medical device should consult their physician and device manufacturer before operating this pressure washer.

5.4 Personal Protective Equipment

⚠ WARNING

- To reduce the risk of personal injury:
 - Always wear proper clothing and protective apparel, including proper eye protection.

- To reduce the risk of eye injury:



- Always wear goggles that are impact-rated and marked as complying with ANSI Z87 "+". Goggles must also be rated for protection against droplet/splash hazards according to ANSI Z87.1.

- Safety glasses do not provide full protection.

- Good footing is very important. To help maintain a secure footing and reduce the risk of injury while working:



- Wear sturdy boots with non-slip, rubber soles. Do not wear sandals, flip-flops, open-toed or similar footwear.

- To reduce the risk of electric shock:
 - Wear rubber-soled footwear that provides insulation when operating the pressure washer.
- Aqueous aerosols may form while working with a pressure washer. Inhalation of some aerosols can be hazardous. To determine the measures necessary to protect against aqueous aerosols, carry out a risk assessment before starting work. Depending on your risk assessment, class FFP2 or higher respirators may be necessary.

5.5 Pressure Washer

⚠ WARNING

- To reduce the risk of serious or fatal injury from electrocution or electric shock:
 - Position the pressure washer outside the wet work area.
 - Store the pressure washer indoors.
 - Never use your pressure washer if the casing around the motor is cracked or damaged.
- To reduce the risk of personal injury to the operator and bystanders:
 - Always switch off the pressure washer, relieve system pressure, lock the spray gun trigger and disconnect from the power supply before assembling, inspecting, cleaning, maintaining or servicing the pressure washer.
- Although certain unauthorized attachments may fit your STIHL pressure washer, their use may be extremely dangerous. Only attachments supplied by STIHL or expressly approved by STIHL for use with this specific model are recommended.
 - Use only attachments supplied or expressly approved by STIHL.
 - Never modify this pressure washer in any way.
 - Never attempt to modify or override the pressure washer's controls or safety devices in any way.
 - Never use a pressure washer that has been modified or altered from its original design.
- If the pressure washer is dropped or subjected to similar heavy impacts:
 - Check that it is undamaged, in good condition and functioning properly before continuing work.
 - Check that the controls and safety devices are working properly.
 - Check that the power supply cord has not been damaged.

- Never work with a damaged or malfunctioning pressure washer. In case of doubt, have the pressure washer checked by your authorized STIHL servicing dealer.
- If the pressure washer is damaged, not working properly, has been left outdoors or exposed to rain, its components may no longer function properly and safety devices may be inoperative. To reduce the risk of personal injury and property damage:
 - Take the pressure washer to your authorized STIHL servicing dealer to be checked before further operation.
- Genuine STIHL replacement parts are specifically designed to match your pressure washer and meet safety and performance requirements. Use of parts that are not authorized or approved by STIHL may cause serious or fatal injury or property damage.
 - STIHL recommends that only identical STIHL replacement parts be used.

5.6 Power Supply Cord

▲ WARNING

- Using a damaged power supply cord or plug may result in fire, electric shock and other personal injury or property damage. To reduce these risks:



- Check the pressure washer's power supply cord or plug regularly for damage. If it becomes damaged, disconnect the pressure washer from the power supply. Never use a damaged power supply cord or plug.
- Do not abrade, crush, jerk, or otherwise abuse or misuse the power supply cord. Protect it from heat, oil and sharp edges.
- If the power supply cord becomes damaged, have it replaced by an authorized STIHL servicing dealer before use. A damaged power supply cord must be replaced with an identical STIHL replacement part.

- Unplug the power supply cord when the pressure washer is not in use.
- Never yank or jerk the power supply cord to disconnect. To unplug, grasp the plug, not the power supply cord.
- Make sure the power supply cord is positioned and secured or marked so that it will not be stepped on, tripped over, come in contact with sharp objects, moving parts, or otherwise be subjected to damage or stress.
- Connect to individual branch circuit only. An individual branch circuit is an electric circuit designed for powering a single electric device. Running several devices on one electrical circuit may lead to an overload and cause the circuit breaker or fuse to trip.
- This pressure washer is equipped with an integrated Ground Fault Circuit Interruptor (GFCI). To reduce the risk of electric shock:
 - Never plug the power supply into a power strip or extension cord.
 - The pressure washer must be connected to a properly grounded electrical outlet. Check with a qualified electrician if you are in doubt as to whether the outlet is properly grounded.
 - Always test the built-in GFCI before using the pressure washer. Never work with a malfunctioning GFCI. For information on testing and resetting the GFCI, see chapter 10.
- This power tool has a polarized plug (one blade is wider than the other). This plug will fit in a polarized electrical outlet only one way. To reduce the risk of electric shock:
 - Do not change the plug in any way.
 - If the plug does not fit fully in the outlet, reverse the plug. If it still does not fit, use a different outlet or contact a qualified electrician to install the proper outlet.

5.7 Connecting the Water Supply


WARNING

- When the spray gun trigger is released, fluid recoil may push non-potable water back into the potable water system.
 - Do not connect the pressure washer directly to a potable water system.
 - If hooking up the pressure washer to a potable water system, a backflow preventer must be installed between the water tap and the hose. The design of the backflow preventer must comply with all applicable water management codes and regulations in your area.
- If potable water has passed through the backflow preventer, it can no longer be regarded as potable water. To prevent contamination of potable water:
 - Follow the rules laid down by the local water supply company to prevent water flowing back from the pressure washer into the drinking water main.
 - Do not use the pressure washer with dirty water (i.e., water that contains sand, dirt or other particulate matter). If there is a risk that the water supply is dirty, use an appropriate water filter or find an alternative water source.

5.8 Using the Pressure Washer

5.8.1 Before Operation

WARNING

- Misuse or unauthorized use may result in personal injury and property damage.
 - Use the pressure washer only as described in this instruction manual.
- Using a pressure washer that is modified, damaged, improperly adjusted or maintained, or not completely and securely assembled can lead to a malfunction and increase the risk of serious personal injury or death.
 - Never operate a pressure washer that is modified, damaged, improperly maintained or not completely and securely assembled.
 - Always check your pressure washer for proper condition and operation before starting work, particularly the spray gun trigger and retaining latch.
 - Ensure that the spray gun trigger and retaining latch move freely. The spray gun trigger must not engage until the retaining latch is moved to the unlocked position.
 - Never attempt to modify or override the controls or safety devices in any way.
 - If your pressure washer or any part is damaged or does not function properly, take it to your authorized STIHL servicing dealer. Do not use the pressure washer until the problem has been corrected.
- Before connecting the pressure washer to the power supply:
 - Read and follow the instructions on switching on the pressure washer,  11.1.
 - Ensure that the high-pressure hose is in good condition and not frayed, cracked, deformed or damaged in any way. Never operate the machine with a damaged or worn high-pressure hose.

- To help reduce the risk of serious personal injury or death from unintentional starting:
 - Never carry the pressure washer with your finger on the spray gun trigger.
 - Switch off the pressure washer, relieve system pressure, lock the spray gun trigger and disconnect from the power supply before assembling, inspecting, cleaning, maintaining or servicing the pressure washer.
 - Always switch off the pressure washer, relieve system pressure and lock the spray gun trigger before attempting to remove the high pressure hose or spray lance from the spray gun.
 - Always switch off the pressure washer, relieve system pressure and lock the spray gun trigger before attempting to adjust or change a spray nozzle or other accessory.
 - Never leave the pressure washer unattended when it is connected to the power supply.

5.8.2 Holding and Controlling the Pressure Washer



⚠ WARNING

- To maintain a firm grip and properly control your pressure washer:
 - Keep the spray attachment clean at all times. Keep it free of pitch, oil, grease and resin.
- To reduce the risk of serious or fatal injuries to the operator or bystanders from loss of control:
 - Always hold the spray attachment firmly with both hands when you are working.
 - Wrap your fingers tightly around the spray gun and spray lance.
 - Position the spray attachment in such a way that all parts of your body are clear of the water jet.
 - Position the power supply cord so that it will not be damaged while working with the pressure washer.

- Always keep the power supply cord behind the operator and away from the water jet. Don't let the power supply cord become entangled with obstacles or objects.
- Operating the pressure washer with one hand is extremely dangerous. One-handed operation makes it difficult to oppose and absorb reactive forces (recoil) without losing control of the pressure washer. To reduce the risk of serious or fatal injury to the operator or bystanders from loss of control:
 - Never attempt to operate the pressure washer with one hand.
- Because of the high pressure and spray velocity, fluids can penetrate the skin and cause fluid injection and/or severe injury. To reduce the risk of serious or fatal injuries to the operator or bystanders from loss of control, keep proper footing and balance at all times:
 - Take special care in overgrown or wet terrain and always watch for hidden obstacles such as tree stumps, roots, rocks, holes and ditches to avoid stumbling or falling.
 - Know where the power supply cord and water hoses are at all times to avoid tripping or stumbling.
 - Be extremely cautious when working on slopes or uneven ground.
- To reduce the risk of injury from loss of control:
 - Never work on a ladder, roof, in a tree or while standing on any other insecure support.
 - Never operate the pressure washer above shoulder height.
 - Do not overreach. Keep proper footing and balance at all times.

5.8.3 Working Conditions

WARNING

- Operate your pressure washer only under good visibility during favorable daylight conditions.
 - Postpone the work if the weather is windy, foggy, rainy or inclement.
- Your pressure washer is a one-person machine.
 - Do not allow other persons in the general work area.
 - Bystanders, especially children, and animals should not be allowed in the area where it is in use.
 - Switch off the motor immediately if you are approached.
- To reduce the risk of injury to bystanders and unauthorized users:
 - Never leave the pressure washer unattended when it is connected to the power supply.
 - Switch off the pressure washer and disconnect from the power supply during work breaks and any other time the pressure washer is not in use.
- Sparks generated from the operation of the pressure washer may be capable of igniting combustible gases, liquids, vapors, dusts or other combustible materials and substances. To reduce the risk of fire and explosion:
 - Never operate the pressure washer in a location where combustible gases, liquids, vapors, dusts or other combustible materials and substances are present.
 - Read and follow recommendations issued by government authorities (e.g., OSHA) for identifying and avoiding the hazards of combustible gases, liquids, vapors, dusts or other combustible materials and substances.

- Spraying certain materials with the water jet may produce dust or a mist containing particulate matter capable of causing respiratory disease, cancer, birth defects and other serious harm.
 - Never spray any surface containing lead paint.
 - Never spray asbestos-containing materials such as asbestos cement or asbestos siding. Hazardous, breathable asbestos fibers may be released in addition to the dirt.
 - Consult governmental agencies such as EPA, OSHA, CARB and NIOSH and other authoritative sources on hazardous materials if you are unfamiliar with the risks associated with the particular substances you are spraying.
- Inhalation of certain dusts, especially organic dusts such as mold or pollen, can cause susceptible persons to have an allergic or asthmatic reaction. Substantial or repeated inhalation of dust or other airborne contaminants, especially those with a smaller particle size, may cause respiratory or other illnesses.
 - Control dust and mists at the source where possible.
 - To the extent possible, operate the pressure washer so that the wind or operating process directs any dust, mist or other particulate matter raised by the pressure washer away from the operator.
 - When respirable dust or other particulate matter cannot be kept at or near background levels, always wear a respirator that is approved by NIOSH and rated for worksite-specific conditions. Follow the recommendations of governmental authorities (e.g., OSHA/NIOSH and occupational and trade associations).
- Breathing asbestos dust is dangerous and can cause severe or fatal injury, respiratory illness or cancer, including mesothelioma. The use and disposal of asbestos-containing products is strictly regulated by OSHA and EPA.
 - Stop work immediately and contact the relevant state and local authorities and/or EPA, your employer or local OSHA representative if you have reason to believe that you might be disturbing asbestos.

5.8.4 Operating Instructions

WARNING

- In the event of an emergency:
 - Switch off the motor immediately and disconnect the pressure washer from the power supply.
- To reduce the risk of fire/explosion resulting in serious or fatal injury or property damage:



- Never spray flammable or combustible liquids.
- Never draw fluids into the pump that contain solvents or undiluted acids (e.g., gasoline, heating oil, paint thinner or acetone).



- Because of the high pressure and spray velocity, fluids can penetrate the skin and cause fluid injection and/or severe injury.



- Never direct the high-pressure jet toward yourself or other persons, not even to clean clothing or shoes.
- Do not direct the high-pressure jet toward animals.



- Keep hands, feet and other parts of your body away from the water jet at all times.
- Do not direct the high-pressure jet into places you cannot see.
- Switch off the pressure washer, relieve system pressure and lock the spray gun trigger before changing or adjusting any spray nozzle or accessory.
- If an accident does occur and the spray appears to have penetrated the skin, seek emergency medical care. Do not treat as a simple cut.
- To reduce the risk of property damage or serious personal injury:
 - Start work at the greatest effective distance from the surface being cleaned. Do not move so close that the surface is damaged by the force of the spray.
 - Be especially careful when spraying softer materials such as fabric.
 - Use caution when directing spray toward fragile materials such as glass. It could shatter.
- This pressure washer was designed for use with water alone or with a detergent specifically designed and approved for use with pressure washers. Use of

unsuitable detergents or cleaning agents can cause personal injury and damage the pressure washer and/or the surface being cleaned.

- Always use the detergent in the dosage specified in the detergent manufacturer's instructions for proper preparation and dilution, as well as safe use and disposal.
- Chemical detergents may contain harmful (toxic, caustic, irritant), flammable or explosive substances. They are potentially harmful and can cause skin and eye irritation, chemical burns and other serious personal injury.
 - Avoid contact with skin and eyes.
 - In the event of accidental contact, immediately rinse the contact area thoroughly with plenty of clean water.
 - If fluid gets into your eye(s): Do not rub. Rinse water over the open eye(s) for at least 15 minutes and seek medical attention.
- Running the pressure washer without water will cause the pump to overheat, which may result in permanent damage.
 - Always connect and turn on the water supply to the pump before starting the motor.
 - Do not operate the pressure washer without water.

WARNING

- To reduce the risk of short-circuiting, fire and electrocution:
 - Never direct the high-pressure jet toward the pressure washer itself or any of its components.
 - Never direct the spray at electrical appliances and equipment, sockets or power cords.





- Never spray near electrical outlets or other power sources.
- Never use your pressure washer if the casing around the motor is cracked or damaged.

6 Maintenance, Repair and Storage

6.1 Warnings and Instructions

⚠ WARNING

- There are no user-authorized repairs for the pressure washer. To reduce the risk of fire, electric shock or other personal injury and property damage:
 - Users may carry out only the cleaning and maintenance operations described in this manual.
 - Strictly follow the cleaning and maintenance instructions in the appropriate sections of this instruction manual.
 - STIHL recommends that all repair work be performed by authorized STIHL servicing dealers.
- Unintentional starting may result in personal injury or property damage. To reduce the risk of personal injury and property damage from unintentional starting:
 - Switch off the pressure washer, disconnect it from the power supply, turn off the water supply and squeeze the spray gun trigger until the pressure in the system has been fully released. Then, lock the spray gun trigger before inspecting the pressure

washer or carrying out any cleaning, maintenance or repair work, before storing, and any other time it is not in use.

- Use of parts that are not authorized or approved by STIHL may cause serious or fatal injury or property damage.
 - STIHL recommends that only identical STIHL replacement parts be used for repair or maintenance.
 - If using a replacement or accessory high-pressure hose, ensure that it is rated for the maximum PSI of the pressure washer.
 - If using a replacement spray gun or lance, or any other spray accessory, ensure that it is rated for the maximum PSI of the pressure washer.
- To reduce the risk of electric shock:
 - Ensure that the insulation of the power supply cord and plug are in good condition and show no signs of aging (brittleness), wear or damage.
 - Never use your pressure washer if the casing around the motor is cracked or damaged.

MOVING AND STORAGE INSTRUCTIONS

⚠ WARNING

- Improper storage can result in unauthorized use, damage to the pressure washer and an increased risk of fire, electric shock and other personal injury or property damage.
 - Disconnect the pressure washer from the power supply before storing.
 - Never store the pressure washer with the plug of the power supply cord connected to an electrical outlet.
 - Store the pressure washer indoors in a dry, secure place that cannot be accessed by children or other unauthorized users.



- Drain the detergent spray set or secure it so that it cannot topple over or spill.



- Do not allow the unit to be used or stored in freezing temperatures.
- If the pressure washer must be transported or stored in freezing conditions, the pump must be filled with antifreeze to prevent cracking due to water expansion, 13.2.

SAVE THESE INSTRUCTIONS!

7 Before Starting Work

7.1 Preparing the Pressure Washer for Operation

Before starting work:

- ▶ Place the pressure washer on flat and firm ground or other solid surface in an open area.
- ▶ Connect the spray gun and lance, 8.3.
- ▶ Insert the spray nozzle, 8.4.
- ▶ If desired, add detergent, 12.3.
- ▶ Connect the water supply, 9.
- ▶ Connect the power supply cord to a properly installed electrical outlet that matches the voltage and electrical frequency stated on the pressure washer's rating plate. Connect to an individual branch circuit only.
- ▶ Test the ground fault circuit interrupter (GFCI), 10.1

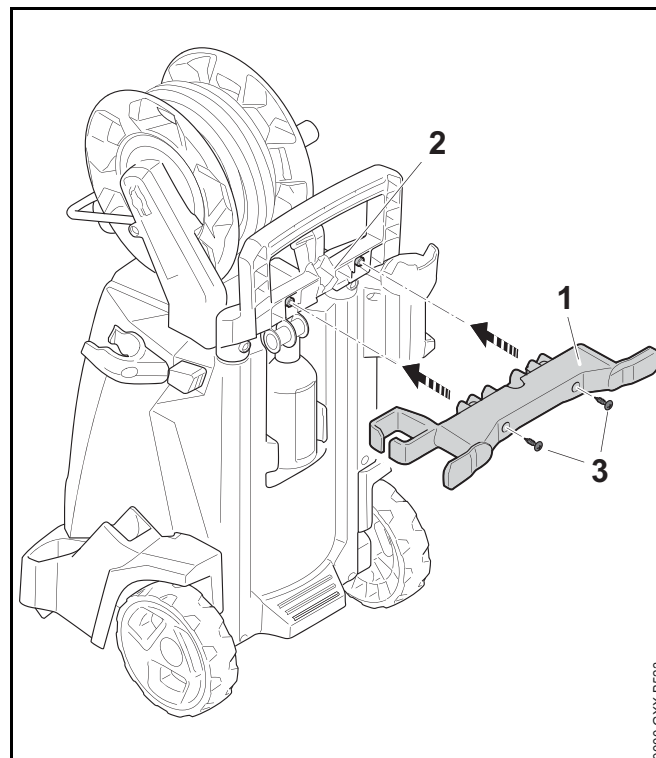
8 Assembling the Pressure Washer

8.1 Assembling Parts and Accessories

WARNING

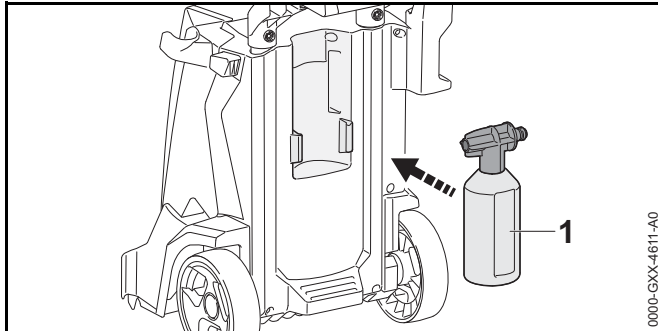
To reduce the risk of severe injury from high-pressure spray, always switch off the pressure washer, shut off the water supply, relieve any remaining pressure in the system and lock the spray gun trigger before attempting to assemble the pressure washer or spray attachment.

Bracket for Power Supply Cord



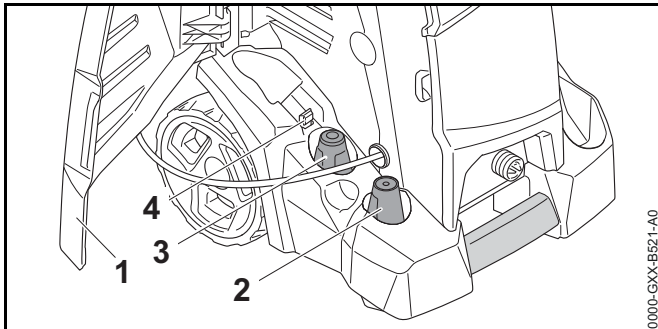
- ▶ Push the bracket (1) into the handle (2).
- ▶ Insert screws (3) into the handle and tighten.

Detergent Spray Set



- ▶ Insert the detergent spray set (1).

Nozzles and cleaning needle

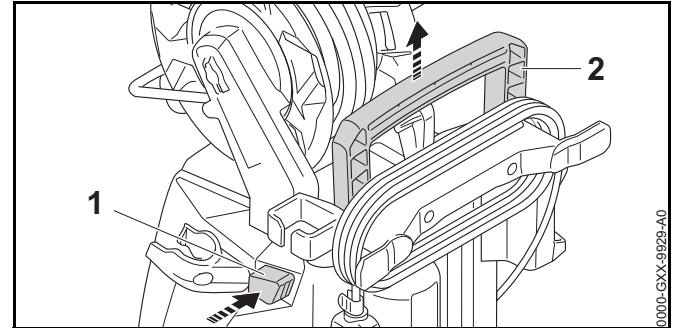


- ▶ Open the cover (1).
- ▶ Insert the fan-jet nozzle (2) and rotary-jet nozzle (3).
- ▶ Insert the cleaning needle (4).

8.2 Adjusting the Handle

8.2.1 Extending the Handle

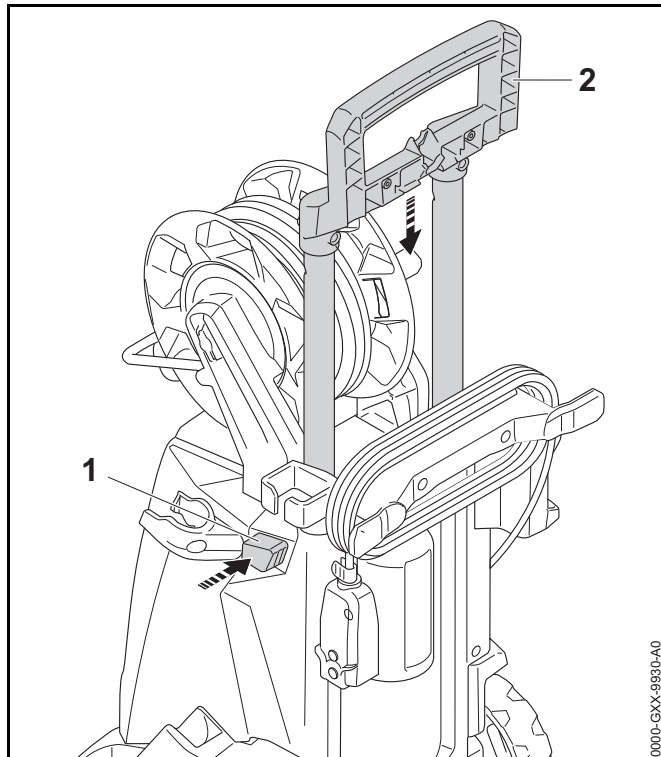
To extend the handle:



- ▶ Press the release button (1) and raise the handle (2) to the desired height.
- ▶ Let go of the release button and continue to pull up on the handle until it engages with an audible click.

8.2.2 Lowering the Handle

To lower the handle:




- ▶ Press the release button (1) and lower the handle (2) to the desired height.
- ▶ Let go of the release button and continue to lower the handle until it engages with an audible click.

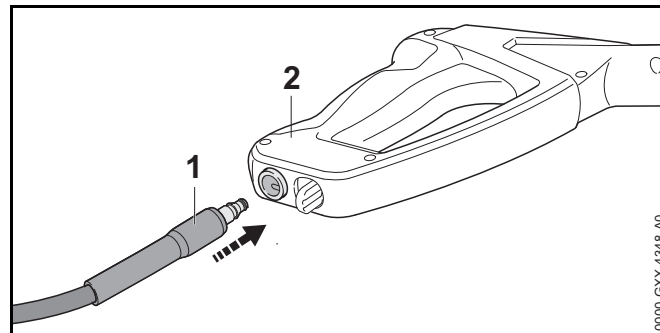
8.3 Spray Gun and Lance

8.3.1 Connecting the Spray Gun and Lance

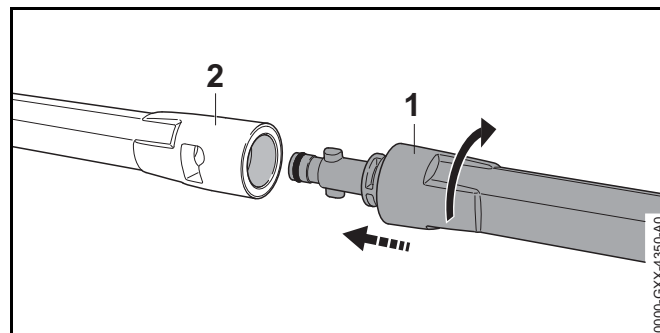
To connect the spray gun and lance:

- ▶ Switch off the pressure washer,  11.2.
- ▶ Disconnect the pressure washer from the power supply.

- ▶ Shut off the water supply.
- ▶ Lock the spray gun trigger.
- ▶ Remove all sand and debris from the connections and couplings.



- ▶ Push the high-pressure hose (1) into the spray gun (2).
- ▶ If the high-pressure hose is difficult to push into the spray gun, apply a food-safe fitting grease to the sealing surface on the high pressure hose.




- ▶ Attach the spray lance (1) to the spray gun (2).
- ▶ Turn the spray lance until it engages.
- ▶ If the spray lance hose is difficult to attach to the spray gun, apply a food-safe fitting grease to the sealing surface on the spray lance.

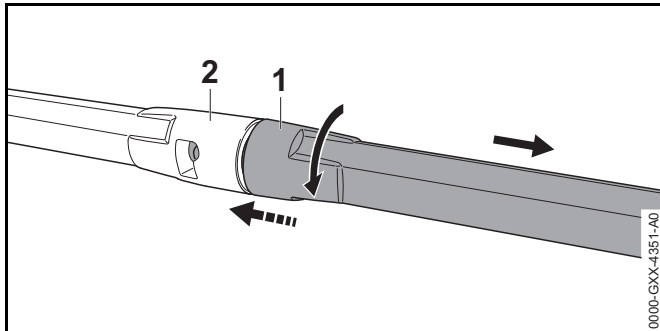
8.3.2 Removing the Spray Gun and Lance

⚠ WARNING

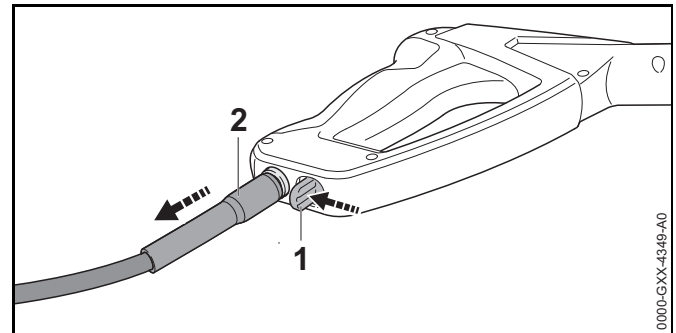
To reduce the risk of severe injury from high-pressure spray, always switch off the pressure washer, shut off the water supply, relieve any remaining pressure in the system and lock the spray gun trigger before attempting to remove or disassemble the spray gun or lance.

To remove the spray gun and lance:

- ▶ Switch off the pressure washer,  11.2.
- ▶ Disconnect the pressure washer from the power supply.
- ▶ Shut off the water supply.
- ▶ Pull the spray gun trigger to relieve pressure.
- ▶ Lock the spray gun trigger.



- ▶ Press the spray lance (1) against the spray gun (2) and turn until it stops.
- ▶ Remove the spray lance (1) from the spray gun (2).



- ▶ Press down and hold the locking lever (1).
- ▶ Pull out the high-pressure hose (2).

8.4 Inserting and Removing the Spray Nozzle

8.4.1 Inserting the Spray Nozzle


⚠ WARNING

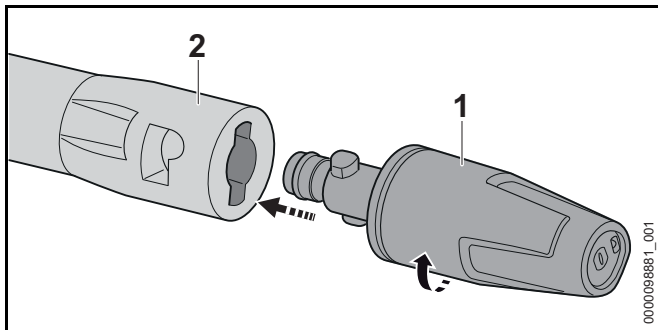
To reduce the risk of severe injury from unintended spraying, switch off the pressure washer, relieve system pressure and lock the spray gun trigger before attempting to adjust or change a spray nozzle or other accessory.

⚠ WARNING

If the high-pressure nozzle is not secure, it can fly out of the spray lance during operation and cause injury. Confirm that the nozzle is fixed securely in the quick-connect coupling. The pressure washer is offered with two high-pressure nozzles that can be connected to the spray lance.

To insert the spray nozzle:

- ▶ Switch off the pressure washer,  11.2.
- ▶ Pull the spray gun trigger to relieve pressure.
- ▶ Lock the spray gun trigger.
- ▶ Remove all sand and debris from the connections and couplings.



- ▶ Attach the high pressure nozzle (1) to the spray lance (2).
- ▶ Push the high pressure nozzle (1) as far as it will go into the spray lance (2).
- ▶ Once inserted, turn the high pressure nozzle clockwise until it engages.
- ▶ If the high pressure nozzle is difficult to insert into the spray lance, apply a food-safe fitting grease to the sealing surface on spray lance.

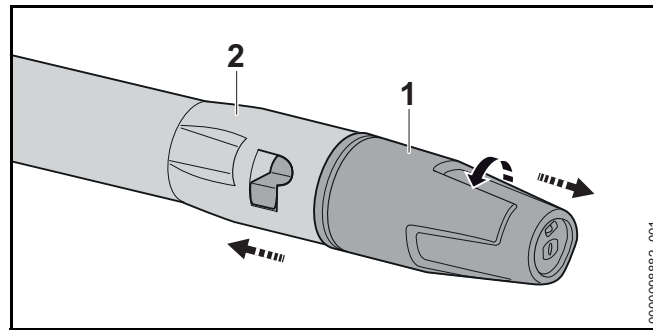
8.4.2 Removing the Spray Nozzle

⚠ WARNING

To reduce the risk of severe injury from unintended spraying, switch off the pressure washer, relieve system pressure and lock the spray gun trigger before attempting to adjust or change a spray nozzle or other accessory.

To remove the spray nozzle:

- ▶ Switch off the pressure washer, 11.2.
- ▶ Pull the spray gun trigger to relieve pressure.
- ▶ Lock the spray gun trigger.



- ▶ Press the high pressure nozzle (1) against the spray lance (2) and pull out the nozzle(1).

9 Connecting the Water Supply

9.1 Connecting the Pressure Washer to the Mains Water Supply

⚠ WARNING

Make sure the pressure washer is switched off and disconnected from the power supply before connecting to or disconnecting from the mains water supply.

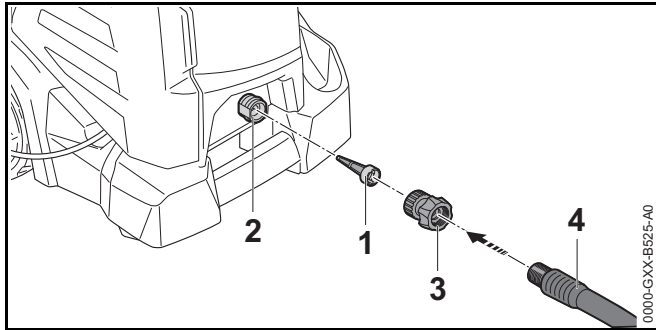
Connecting the Water Supply

The water supply must meet the following requirements:

- Minimum length of water hose: 30 ft. (10 m)
- Maximum water inlet pressure: 145 psi (1 MPa / 10 bar)

To connect the pressure washer to the mains water supply:

- ▶ Switch off the pressure washer, 11.2.
- ▶ Disconnect the pressure washer from the power supply.
- ▶ Remove all sand and debris from the connections and couplings.
- ▶ Connect the water hose to the water supply.
- ▶ Fully open the tap to flush any sand or dirt from the hose.
- ▶ Shut off the water supply.



- ▶ Insert the water inlet strainer (1) into the connector (2).
- ▶ Screw the coupling (3) onto the connector and tighten by hand.
- ▶ Connect the water hose (4).
- ▶ If the spray lance is attached to the spray gun, remove the spray lance.
- ▶ Turn on the water supply.
- ▶ Pull the spray gun trigger until a steady, even water jet is delivered from the spray gun.
- ▶ Switch off the pressure washer.
- ▶ Lock the spray gun trigger.
- ▶ Connect the spray lance.
- ▶ Insert the nozzle, 8.4.1.

NOTICE

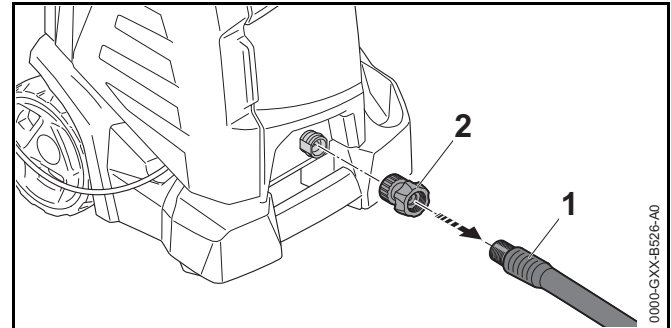
Running the pressure washer without water will cause the pump to overheat, which may result in permanent damage. Always connect and turn on the water supply to the pump before starting the motor. Do not operate the pressure washer without water.

Disconnecting the Water Hose

To disconnect the water hose:

- ▶ Switch off the pressure washer, 11.2.
- ▶ Disconnect the pressure washer from the power supply.
- ▶ Shut off the water supply.
- ▶ Pull the spray gun trigger to relieve pressure.

- ▶ Lock the spray gun trigger.



- ▶ Remove the water hose (1).
- ▶ Unscrew the coupling (2).

10 Ground Fault Circuit Interrupter (GFCI)

10.1 Testing the GFCI

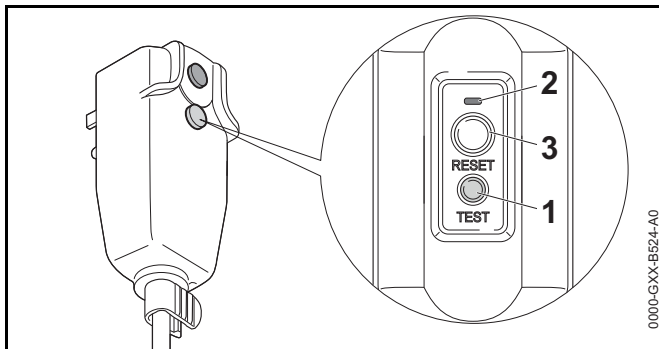
WARNING

To reduce the risk of electrocution, always test the GFCI each time you plug in your unit and before you start work. The pressure washer has an electrical protection mechanism. The GFCI is an important safety device that is intended to protect the operator and bystanders from the risk of electric shock or electrocution. It is designed to quickly and automatically disconnect a circuit when it detects that the electric current is not balanced.

A GFCI does not provide protection against unexpected or dangerously high current. Therefore it cannot replace a fuse or protect against overheating or fire risk due to over-current (overload) or short circuits if the fault does not lead to current leakage.

To test the GFCI:

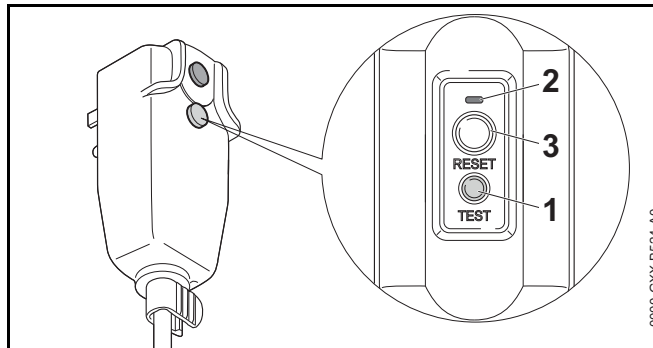
- ▶ Connect the power supply cord to a properly installed electrical outlet that matches the voltage and electrical frequency stated on the pressure washer's rating plate. A red indicator plate inside the window (2) will become visible.



- ▶ Depress the TEST button (1). The red indicator plate inside the window (2) should not be visible anymore.
- ▶ If the indicator plate remains visible after depressing the TEST button, the GFCI is not working. Disconnect the pressure washer from the power supply and have it inspected by an authorized STIHL servicing dealer before further use.
- ▶ Before starting work, always reset the GFCI as described in chapter 10.2.

10.2 Resetting the GFCI

To reset the GFCI:



- ▶ If depressing the TEST button has interrupted the current and the red indicator plate inside the window (2) is no longer visible, depress the RESET button (3). The indicator plate should become visible again.
- ▶ If the indicator plate is not visible after depressing the RESET button, the GFCI is not working. Disconnect the pressure washer from the power supply and have it inspected by an authorized STIHL servicing dealer before further use.

11 Switching the Pressure Washer On and Off

11.1 Switching On

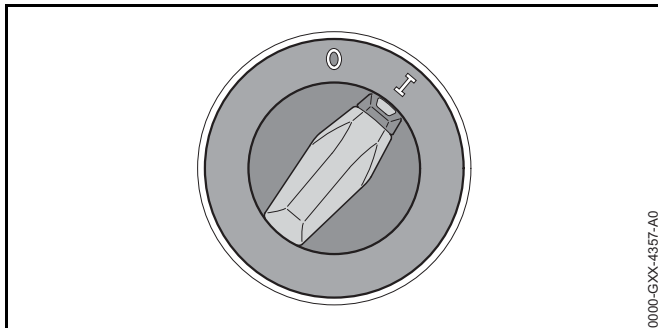
WARNING

Never operate your pressure washer if it is damaged, improperly adjusted or maintained, not completely and securely assembled or not functioning properly, 5.5. To reduce the risk of personal injury, always wear proper clothing and protective apparel, including proper eye protection, when operating your pressure washer, 5.4.

Before switching on:

- ▶ Make sure you have a secure and firm footing.
- ▶ Stand upright.
- ▶ Always hold and operate the pressure washer with one hand firmly on the spray gun and your other hand firmly on the spray lance. Always hold the pressure washer with two hands in this manner.

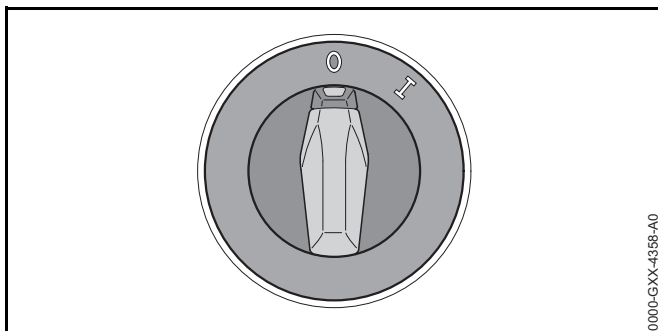
To switch the pressure washer on:



- ▶ Set the switch to the **I** position.

11.2 Switching Off

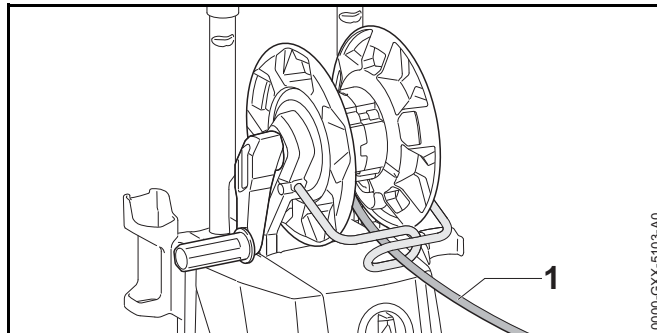
To switch the pressure washer off:



- ▶ Set the switch to the **0** position.

12 During Operation

12.1 Unrolling the High-Pressure Hose



- ▶ Completely unroll the high-pressure hose (1).

NOTICE

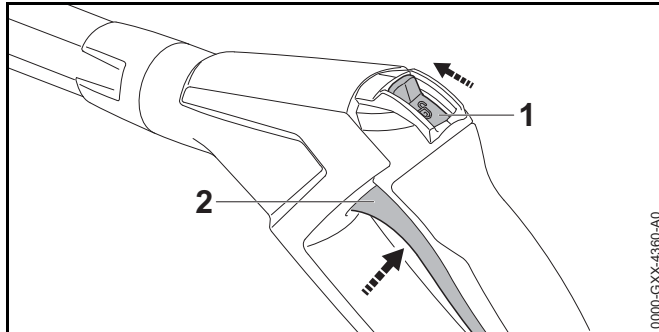
Remove the high-pressure hose from the hose reel before spraying. If the high-pressure hose is not completely unrolled from the hose reel, it may be damaged by high-pressure.


12.2 Activating and Locking the Spray Gun Trigger

The pressure washer is designed for two-handed operation.

Activating the spray gun trigger

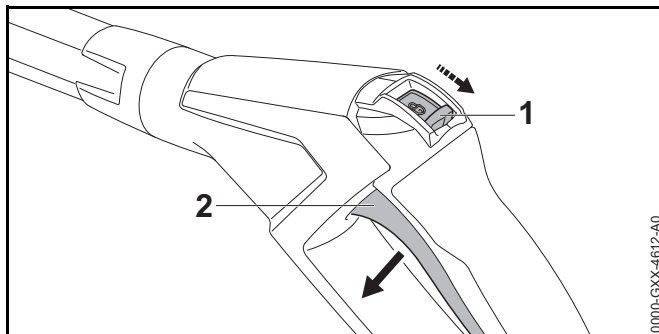
To pull the spray gun trigger:




- ▶ Slide the retaining latch (1) to the  position.
- ▶ Press and hold the spray gun trigger (2).
The high-pressure pump starts up automatically and water flows out of the nozzle.

Locking the spray gun trigger

To lock the spray gun trigger:



- ▶ Release the spray gun trigger (2).
The high-pressure pump switches off automatically when you release the spray gun trigger. Water stops flowing out of the nozzle but the pressure washer remains switched on.
- ▶ Slide the retaining latch (1) to the  position to lock the spray gun trigger.

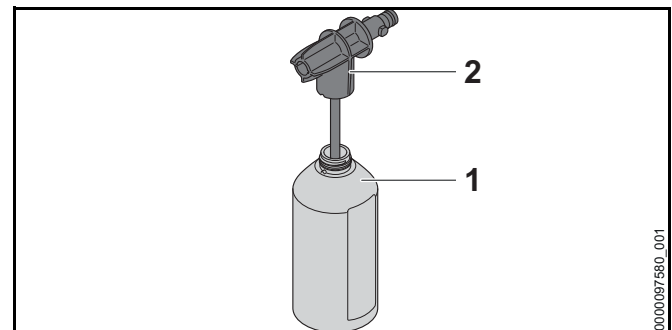
12.3 Adding Detergents

WARNING

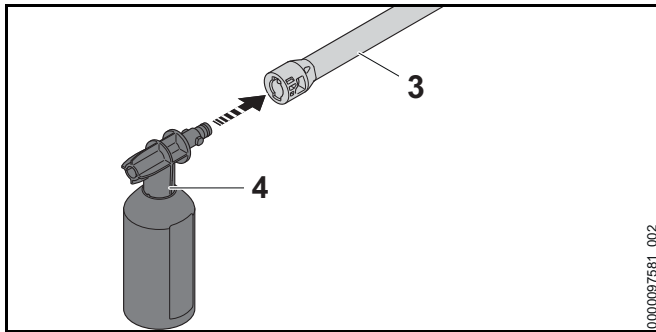
Use of unsuitable detergents or cleaning agents can damage the pressure washer or surface being cleaned and may result in personal injury. Always read and follow the detergent manufacturer's warnings and instructions regarding proper preparation, dilution, safe use and disposal.

Detergents can improve cleaning effectiveness.

Use the detergent spray set to add detergents:



- ▶ Always read and follow instructions provided by the manufacturer of the detergent before starting work.
- ▶ STIHL recommends soaking surfaces with water before applying detergent.
- ▶ Fill the detergent bottle (1) with up to 16.9 oz. (500 ml) of detergent.
- ▶ Screw the detergent nozzle (2) onto the detergent bottle and tighten firmly by hand.



- ▶ Attach the detergent spray set (4) to the spray lance (3).
- ▶ Spray the detergent onto the surface to be cleaned.
- ▶ When applying detergent, start at the bottom of the surface and work upwards. Do not allow the detergent to dry.

After applying detergent:

- ▶ Switch off the pressure washer, 11.2.
- ▶ Relieve system pressure.
- ▶ Lock the spray gun trigger.
- ▶ Remove the detergent spray set.
- ▶ Re-attach the fan-jet nozzle or rotary-jet nozzle.
- ▶ Spray the surface until it is clean and any remaining detergent is washed away.
- ▶ When rinsing off detergent, start at the top of the surface and work down.

12.4 Cleaning

WARNING

To reduce the risk of personal injury, never work with the pressure washer in the rain, 5.5. Always wear proper clothing and protective apparel, including proper eye protection, when operating your pressure washer, 5.4. Keep bystanders away from the work area, 5.8.4. Work carefully and maintain proper control of the pressure washer, 5.8.2.

WARNING

To reduce the risk of fluid injection and/or severe injury, keep hands, feet and other parts of your body away from the water jet at all times and never direct the high-pressure jet toward yourself or other persons, not even to clean clothing or shoes, 5.8.4. Do not direct the high-pressure jet toward animals.

Depending on the application, the following nozzles may be used:

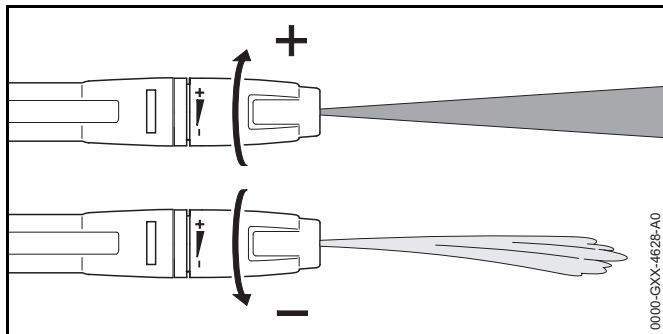
- Fan-jet nozzle: The fan-jet nozzle is designed for cleaning larger areas.
- Rotary-jet nozzle: The rotary nozzle is designed for removing stubborn dirt.
- ▶ If you want to remove stubborn dirt, reduce the distance between the nozzle and the surface.
- ▶ If you want to remove dirt from painted, wooden or other potentially sensitive surfaces, increase the distance between the nozzle and the surface.

To adjust the fan jet nozzle:

WARNING

To reduce the risk of injury from high-pressure spray, always switch off the pressure washer, relieve any remaining pressure in the system and lock the spray gun trigger before attempting to insert, adjust or remove the spray nozzle.

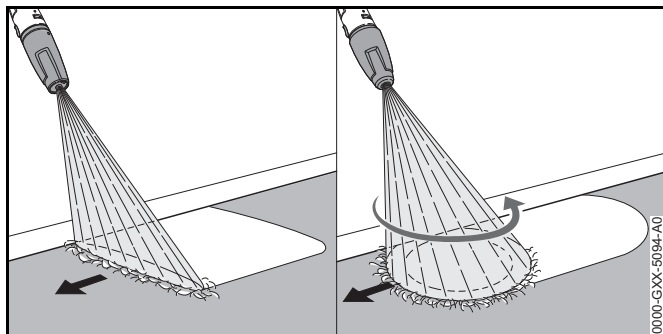
- ▶ Switch off the pressure washer.
- ▶ Relieve system pressure.
- ▶ Lock the spray gun trigger.



- ▶ Rotate the fan-jet nozzle in the (+) direction to increase the working pressure.
- ▶ Rotate the fan-jet nozzle in the (-) direction to reduce the working pressure.

To clean:

- ▶ Before starting work, direct the water jet at an inconspicuous area of the surface and check that the surface is not damaged.
- ▶ Work at a distance that allows you to effectively clean the surface without damaging it.
- ▶ Adjust the fan-jet nozzle and distance from the surface to be cleaned to ensure the surface will not be damaged by the spray.



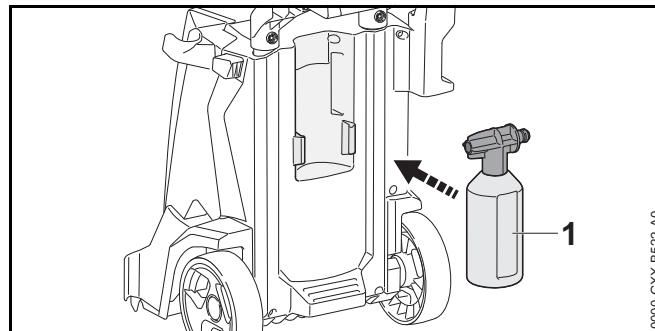
- ▶ Move the spray attachment evenly along the surface to be cleaned.
- ▶ Move forward slowly in a controlled manner.

13 After Finishing Work

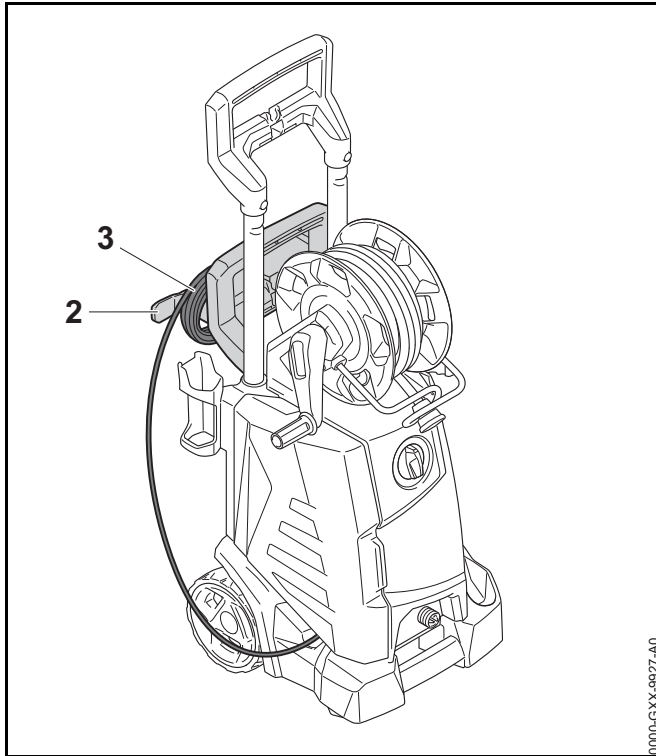
13.1 Preparing for Transportation or Storage

To prepare the pressure washer for transportation or storage:

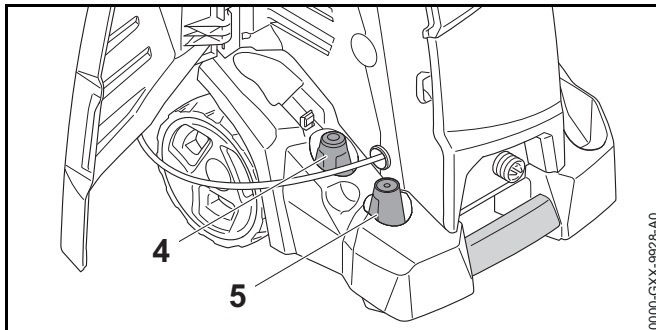
- ▶ Switch off the pressure washer, 11.2.
- ▶ Disconnect the pressure washer from the power supply.
- ▶ Disconnect the pressure washer from the water supply.
- ▶ Press the spray gun trigger to relieve any remaining pressure in the system.
- ▶ Lock the spray gun trigger.
- ▶ Disconnect the water hose.
- ▶ Remove and clean the nozzle and spray lance.
- ▶ Remove the spray gun and let the rest of the water run out of the spray gun.
- ▶ If the pressure washer will be exposed to freezing temperatures, protect it with antifreeze or take other measures outlined below, 13.2.
- ▶ Clean the pressure washer.



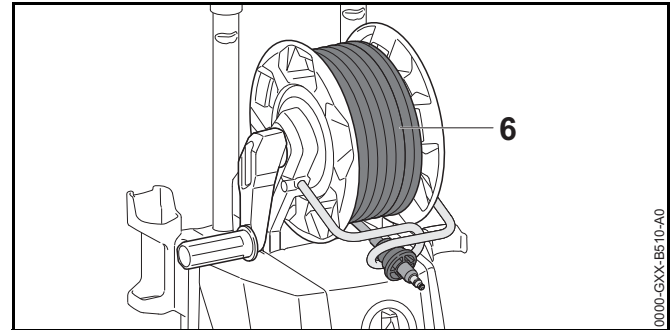
- ▶ Insert the detergent spray set (1).



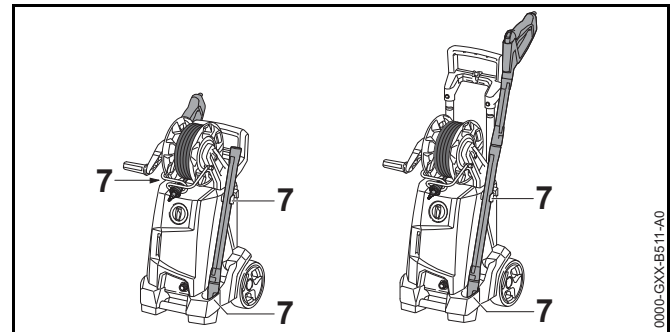
- ▶ Roll up the power supply cord (3) and hang it onto the brackets (2).



- ▶ Insert the fan-jet nozzle (4) and rotary-jet nozzle (5).



- ▶ Roll up the high-pressure hose (6) evenly.



- ▶ Place the spray attachment in one of the holders (7).

13.2 Protecting the Pressure Washer in Winter Conditions

Removing Water from the System

To remove any remaining water from the system:

- ▶ Switch off the pressure washer, [11.2](#).
- ▶ Disconnect the pressure washer from the power supply.
- ▶ Shut off the water supply.
- ▶ Relieve system pressure.
- ▶ Disconnect the water hose, [9.1](#).
- ▶ Drain the water out of the high-pressure hose and water hose.

- ▶ Connect the power supply cord to a properly installed electrical outlet that matches the voltage and electrical frequency stated on the pressure washer's rating plate.
- ▶ Switch on the pressure washer and let the pump run for up to 30 seconds until the water flow stops. Remaining water will be eliminated from the system.
- ▶ Switch off the pressure washer and disconnect it from the power supply.

NOTICE

Freezing temperatures can damage components of the pressure washer. STIHL recommends storing the pressure washer indoors in a dry room where it is protected from freezing temperatures. Relieve all system pressure and make sure all water is eliminated from the pump system and hoses before storing.

Protecting the Pressure Washer with Antifreeze

WARNING

When using antifreeze to protect your pressure washer in winter conditions, observe all warnings and instructions provided by the manufacturer to reduce the risk of environmental contamination or severe personal injury from ingestion.

If the pressure washer is to be exposed to freezing temperatures, it should be protected by a glycol-based antifreeze. The antifreeze prevents water inside the pressure washer from freezing and causing damage to the pressure washer.

To protect the pressure washer with antifreeze:

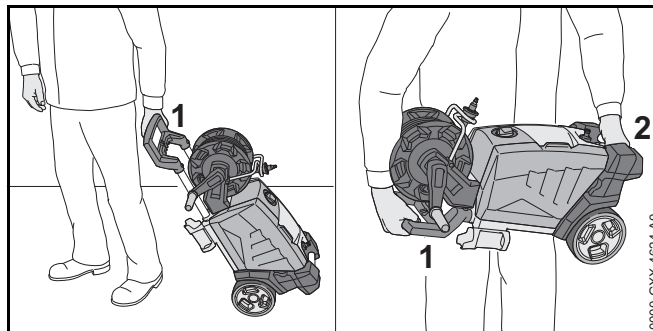
- ▶ Drain the water out of the high-pressure hose.
- ▶ Disconnect the spray lance from the spray gun.
- ▶ Connect the shortest possible water hose to the pressure washer. The shorter the water hose, the less antifreeze is needed.
- ▶ Point the spray lance downward and wait until all the water has flowed out of the system.
- ▶ Pour antifreeze into a clean container.

- ▶ Connect a suction hose to the water inlet of the high-pressure pump and place the other end of the hose in the container of antifreeze.
- ▶ Squeeze and hold the spray gun trigger.
- ▶ Switch on the pressure washer.
- ▶ Hold down the spray gun trigger until an even jet of antifreeze is delivered from the spray gun. Keep the spray gun in the container.
- ▶ Press and release spray gun trigger several times.
- ▶ Switch off the pressure washer and disconnect it from the power supply.
- ▶ Detach the spray gun, high-pressure hose and water hose and allow residual antifreeze to run into the container.
- ▶ Collect and dispose of the antifreeze in accordance with the manufacturer's specifications and all federal, state and local laws, regulations and ordinances.

14 Transporting

14.1 Transporting the Pressure Washer

When transporting the pressure washer:





- ▶ Pull the pressure washer by the pushbar (1), or carry the pressure washer by the pushbar (1) and carrying handle (2).

- ▶ When transporting the pressure washer in a vehicle, ensure that the pressure washer is standing upright, lying on its back, secured with lashing straps, belts or a net and cannot topple over or move.



15 Storing

15.1 Storing the Pressure Washer

! WARNING

Store the pressure washer indoors in a dry, secure place that is inaccessible to children and other unauthorized users,  5.5. Improper storage can result in unauthorized use and damage to the pressure washer,  5.5.

When storing the pressure washer for three months or longer:

- ▶ Clean the pressure washer,  16.1.
- ▶ Store the pressure washer indoors in a dry and secure location, out of the reach of children and other unauthorized persons.
- ▶ If the pressure washer cannot be stored in a room where it is protected from freezing temperatures, protect the pressure washer as outlined above,  13.2.


NOTICE

Freezing temperatures can damage components of the pressure washer. STIHL recommends storing the pressure washer indoors in a dry room where it is protected from freezing temperatures. Relieve all system pressure and make sure all water is eliminated from the pump system and hoses before storing.

16 Cleaning

16.1 Cleaning the Pressure Washer

! WARNING

Before carrying out any of the cleaning work specified in this chapter  6, take certain measures to reduce the risk of personal injury from unintended activation: switch off the pressure washer and disconnect the unit from the power supply. Relieve all system pressure by pulling the trigger switch and lock the spray gun trigger.

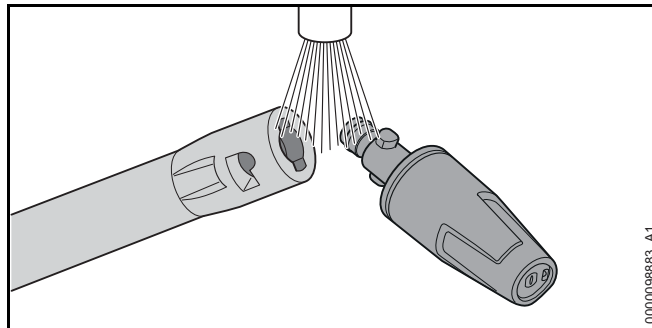
To clean the pressure washer:

- ▶ Clean the pressure washer's polymer components, couplings and connectors with a slightly dampened cloth. Do not use abrasives or solvents that may damage the pressure washer's polymer components.
- ▶ Do not use a pressure washer to clean the unit or otherwise spray it with water or other liquids.

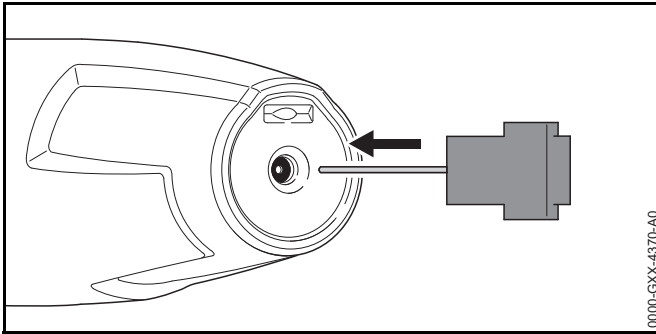
16.2 Cleaning the Nozzle and Spray Lance

A clogged high pressure nozzle can cause excessive pressure to build in the pump. Clean the high-pressure nozzle if it becomes clogged.

To clean the nozzle and spray lance:



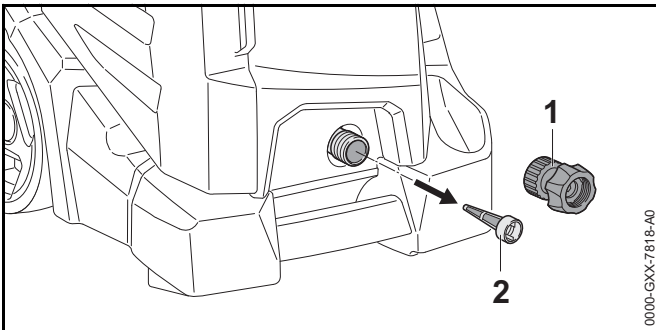
- ▶ Rinse the nozzle and spray lance under running water and dry them with a cloth.



- ▶ If the nozzle is blocked, use the cleaning needle to clear the opening.

16.3 Cleaning the Water Intake Screen





To clean the water intake screen:



- ▶ Unscrew the coupling (1).
- ▶ Pull out the water intake screen (2).
- ▶ Rinse the water intake screen under warm running water.
- ▶ Re-insert the water intake screen.
- ▶ Screw on the coupling and tighten it by hand.


17 Inspection and Maintenance

17.1 Inspection and Maintenance Chart

The following maintenance intervals are examples and apply for normal operating conditions. Actual use and your experience will determine the frequency of required inspection and maintenance.		Before starting work	After finishing work or daily	Weekly	Relevant Chapter
Complete Machine	Visual inspection	X			
	Clean		X		 16.1
Connectors on high-pressure hose	Clean		X		
Coupling on the spray lance and spray gun	Clean	X			 16.2
Water intake screen at inlet of high-pressure pump	Clean			X	 16.3
High-pressure nozzle	Clean		X		 16.2

17.2 Inspecting and Maintaining the Pressure Washer

! WARNING

Before carrying out any of the maintenance work specified in this chapter  6, take certain measures to reduce the risk of personal injury from unintended activation: switch off the pressure washer and disconnect the unit from the power supply. Relieve all system pressure and lock the spray gun trigger.

Proper maintenance of the pressure washer includes the following activities:

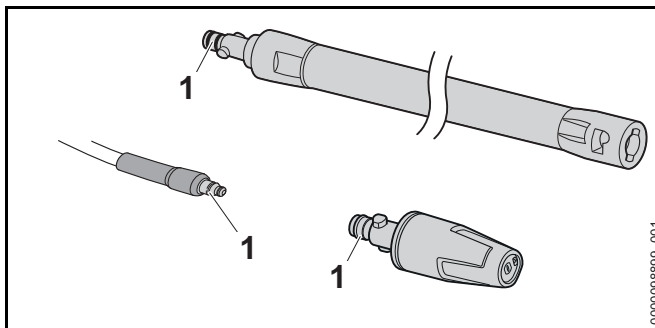
- ▶ Inspecting hoses, couplings, connectors and gaskets periodically and having a worn component replaced.
- ▶ Having worn, missing or damaged safety labels replaced by an authorized STIHL servicing dealer.

The pump is pre-filled with pump oil and does not require replacement or maintenance.

If you make a warranty claim for a component that has not been serviced or maintained properly, coverage may be denied.

17.3 Lubricating the Gaskets

To lubricate the gaskets:







- ▶ Grease the gaskets (1) with food-safe fitting grease.





18 Troubleshooting Guide

18.1 Pressure Washer

Before troubleshooting, switch off the pressure washer and disconnect the unit from the power supply. Relieve all system pressure by pulling the trigger switch. Lock the spray gun trigger.

Condition	Possible Cause	Remedy
The pressure washer does not start although the spray gun trigger is pulled.	The power supply cord is not connected to an electrical outlet.	▶ Connect the power supply cord to a properly installed electrical outlet.
	The GFCI has interrupted the electrical circuit.	▶ Reset the GFCI,  10.2. ▶ Switch off other loads connected to the same circuit. ▶ If the pressure washer still does not start, disconnect the pressure washer from the power supply and have it inspected by an authorized STIHL servicing dealer before further use.
	The electric motor is too warm.	▶ Allow the pressure washer to cool at ambient temperatures for approximately 5 minutes. ▶ Clean the nozzle,  16.2.
The pressure washer does not start when switched on. The electric motor hums.	The mains voltage is too low.	▶ Pull and hold the spray gun trigger and switch on the pressure washer. ▶ Switch off other loads connected to the same electrical circuit.
The pressure washer switches off while in operation.	The power supply cord is not connected to an electrical outlet.	▶ Connect the power supply cord to a properly installed electrical outlet.
	The GFCI has interrupted the electrical circuit.	▶ Reset the GFCI,  10.2. ▶ If the pressure washer still does not start, disconnect the pressure washer from the power supply and have it inspected by an authorized STIHL servicing dealer before further use.
	The electric motor is too warm.	▶ Allow the pressure washer to cool at ambient temperatures for approximately 5 minutes. ▶ Clean the nozzle,  16.2.
The high-pressure pump repeatedly switches on and off without pulling the spray gun trigger.	There is a leak in the high-pressure pump, high-pressure hose or spray attachment.	▶ Have the pressure washer inspected and repaired by an authorized STIHL servicing dealer.

Before troubleshooting, switch off the pressure washer and disconnect the unit from the power supply. Relieve all system pressure by pulling the trigger switch. Lock the spray gun trigger.

Condition	Possible Cause	Remedy
The water pressure fluctuates or drops.	There is not enough water.	<ul style="list-style-type: none"> ▶ Open the water tap fully. ▶ Make sure that a sufficient quantity of water is available.
	The nozzle is blocked.	▶ Clean the nozzle,  16.2.
	The water intake screen is blocked.	▶ Clean water intake screen,  16.3.
The shape of the water jet has changed.	The high-pressure pump, high-pressure hose or spray attachment is leaking.	▶ Ask a STIHL servicing dealer to inspect the pressure washer.
	The nozzle is blocked.	▶ Clean the nozzle,  16.2.
Detergent is not being drawn in.	The nozzle is worn.	▶ Insert a new nozzle.
	The detergent container is empty.	▶ Fill the container with detergent.
	The nozzle of the detergent spray set is blocked.	▶ Clean nozzle of the detergent spray set.
The connections of the pressure washer, high-pressure hose, spray gun or spray lance are stiff.	The gaskets of the connections have not been greased.	▶ Grease the gaskets.  17.3

19 Specifications

19.1 STIHL RE 110 PLUS

For household use.

- Weight with spray attachment and high-pressure hose: approximately 42 lbs (19 kg)

Electrical

- Fuse (characteristic "C" or "D" based on UL 489): 15 A
- Mains voltage: 120 V
- Frequency: 60 Hz
- Rated current: 12.5 A
- Classification: Class I (Protective Earthing)

High-Pressure Pump

- Rated Pressure: 2000 psi (13.8 MPa / 138 bar)
- Maximum Pressure: 2530 psi (17.5 MPa / 175 bar)
- Minimum water throughput: 1.2 gpm (4.5 l/min)
- Maximum water throughput: 1.5 gpm (5.6 l/min)
- Maximum suction height from a tank: 1.6 ft. (0.5 m)
- Maximum water temperature in pressure mode: 104 °F (40 °C)

Water Supply

- Minimum length of water hose: 30 ft. (10 m)
- Minimum pressure: 14.5 psi (0.1 MPa / 1 bar)
- Maximum water inlet pressure: 145 psi (1 MPa / 10 bar)
- Maximum water temperature: 104 °F (40 °C)

Pressure-dependent data were measured at an inlet pressure of 0.3 MPa (44 psi).

19.2 Symbols on the Pressure Washer

Symbol	Explanation
A	Ampere
V	Volt
Hz	Hertz
kW	Kilowatt
t	Temperature of water supply
p	Pressure
Q	Water throughput
m	Weight



Spray gun trigger is locked.



Spray Gun trigger is unlocked.



Drain the detergent spray set before transport or secure it so that it cannot topple over or spill.



Certification/listing mark of Intertek.




STIHL products must not be disposed of in the household trash, but only in accordance with local, state and federal laws and regulations and as provided in this manual, 21.

19.3 Engineering Improvements

STIHL's philosophy is to continually improve all of its products. As a result, engineering changes and improvements are made from time to time. Therefore, some changes, modifications and improvements may not be covered in this manual. If the operating characteristics or the appearance of your machine differs from those described in this manual, please contact your STIHL dealer or the STIHL distributor in your area for assistance.

20 Replacement Parts and Equipment

20.1 Genuine STIHL Replacement Parts

STIHL recommends the use of genuine STIHL replacement parts. Genuine STIHL parts can be identified by the STIHL part number, the **STIHL** logo and, in some cases, by the STIHL parts symbol . The symbol may appear alone on small parts.

21 Disposal

Observe all federal, state and local disposal rules and regulations.

STIHL products must not be thrown in the household trash or disposed of except as outlined in these instructions. Take the product, accessories and packaging to an approved disposal site for environmentally friendly recycling.

Contact your STIHL servicing dealer for the latest information on waste disposal.

22 Limited Warranty

22.1 STIHL Incorporated Limited Warranty Policy

This product is sold subject to the STIHL Incorporated Limited Warranty Policy, available at www.stihlusa.com/warranty.html. It can also be obtained from your authorized STIHL dealer or by calling 1-800-GO-STIHL (1-800-467-8445).

23 Trademarks

23.1 Registered Trademarks

STIHL®

STIHL®



The color combination orange-grey (U.S. Registrations #2,821,860; #3,010,057, #3,010,058, #3,400,477; and #3,400,476)

AutoCut®

YARD BOSS®

STIHL ROLLOMATIC®

WOOD BOSS®



FARM BOSS®

iCademy®

MAGNUM®

MasterWrench Service®

MotoMix®

OILOMATIC®

ROCK BOSS®

STIHL Cutquik®

STIHL DUROMATIC®

STIHL Quickstop®



STIHL WOOD BOSS®

TIMBERSPORTS®



23.2 Common Law Trademarks

4-MIX™	HT Plus™
BioPlus™	STIHL PowerSweep™
Easy2Start™	STIHL Protech™
EasySpool™	STIHL MiniBoss™
ElastoStart™	STIHL MotoPlus 4™
Ematic™	Master Control Lever™
STIHL Precision Series™	STIHL OUTFITTERS™
FixCut™	STIHL PICCO™
Micro™	TrimCut™
Pro Mark™	STIHL M-Tronic™
Quad Power™	STIHL HomeScaper Series™
Quiet Line™	STIHL PolyCut™
STIHL Arctic™	STIHL RAPID™
STIHL Compact™	STIHL SuperCut™

STIHL Interchangeable Attachment Series™	STIHL Multi-Cut HomeScaper Series™
TapAction™	STIHL Territory™
	

This listing of trademarks is subject to change.

Any unauthorized use of these trademarks without the express written consent of ANDREAS STIHL AG & Co. KG, Waiblingen is strictly prohibited.

24 Addresses

24.1 STIHL Incorporated

STIHL Incorporated
 536 Viking Drive
 P.O. Box 2015
 Virginia Beach, VA
 23452-2015

Contenido

1	Introducción	40	10	Interruptor de pérdidas a tierra (GFCI)	61
2	Acerca de este manual de instrucciones	40	10.1	Prueba el GFCI,.....	61
2.1	Palabras identificadoras.....	40	10.2	Reposición del GFCI.....	62
2.2	Símbolos en el texto.....	41	11	Encendido y apagado de la hidrolavadora	62
3	Componentes importantes	42	11.1	Encendido.....	62
3.1	Hidrolavadora.....	42	11.2	Apagado.....	63
3.2	Accesorio pulverizador.....	43	12	Durante el funcionamiento	63
4	Símbolos de seguridad en el producto	43	12.1	Desenrollado de la manguera de presión alta.....	63
4.1	Hidrolavadora.....	43	12.2	Activación y bloqueo del gatillo de la pistola rociadora.....	63
5	INSTRUCCIONES IMPORTANTES DE SEGURIDAD	44	12.3	Adición de detergentes.....	64
5.1	Advertencias e instrucciones generales sobre seguridad.....	44	12.4	Limpieza.....	65
5.2	Uso previsto.....	46	13	Después de completar el trabajo	66
5.3	Operador.....	47	13.1	Preparación para el transporte o el almacenamiento.....	66
5.4	Equipos de protección personal.....	47	13.2	Protección de la hidrolavadora en condiciones de invierno.....	67
5.5	Hidrolavadora.....	48	14	Transporte	69
5.6	Cordón eléctrico.....	48	14.1	Transporte de la hidrolavadora.....	69
5.7	Conexión del suministro de agua.....	49	15	Almacenamiento	69
5.8	Uso de la hidrolavadora.....	50	15.1	Almacenamiento de la hidrolavadora.....	69
6	Mantenimiento, reparación y almacenamiento	54	16	Limpieza	69
6.1	Advertencias e instrucciones.....	54	16.1	Limpieza de la hidrolavadora.....	69
7	Antes de empezar a trabajar	56	16.2	Limpieza de la boquilla y de la lanza rociadora.....	70
7.1	Preparación de la hidrolavadora para el funcionamiento.....	56	16.3	Limpieza de la malla de admisión de agua.....	70
8	Armado de la hidrolavadora	56	17	Inspección y mantenimiento	71
8.1	Armado de las piezas y accesorios.....	56	17.1	Tabla de inspección y mantenimiento.....	71
8.2	Ajuste del mango.....	57	17.2	Inspección y mantenimiento de la hidrolavadora.....	72
8.3	Pistola rociadora y lanza.....	58	17.3	Lubricación de las empaquetaduras.....	72
8.4	Inserción y retiro de la boquilla.....	59	18	Guía de solución de problemas	73
9	Conexión del suministro de agua	60	18.1	Hidrolavadora.....	73
9.1	Conexión de la hidrolavadora al suministro de agua.....	60	19	Especificaciones	75
			19.1	STIHL RE 110 PLUS.....	75

STIHL

Este manual de instrucciones está protegido por derechos de propiedad intelectual. Todos los derechos reservados, especialmente los derechos de reproducción, traducción y procesamiento con sistemas electrónicos.

19.2 Símbolos en la hidrolavadora	75
19.3 Mejoramientos técnicos	75
20 Piezas y equipos de repuesto	76
20.1 Piezas de repuesto originales de STIHL	76
21 Eliminación	76
22 Garantía limitada	76
22.1 Política de garantía limitada de STIHL Incorporated	76
23 Marcas comerciales	76
23.1 Marcas comerciales registradas	76
23.2 Marcas comerciales por ley común	76
24 Direcciones	77
24.1 STIHL Incorporated	77

1 Introducción

Gracias por su compra. La información que contiene este manual lo ayudará a obtener el máximo rendimiento y satisfacción de la hidrolavadora de STIHL, y a reducir el riesgo de lesiones que supone su uso, si dicha información se respeta.

¡CONSERVE ESTE MANUAL!



Dado que la hidrolavadora tiene un motor eléctrico y produce un chorro de agua fuerte, es necesario tomar medidas especiales de seguridad para reducir el riesgo de lesiones personales.



Lea este manual de instrucciones detenidamente antes del uso y periódicamente de allí en adelante. Aténgase a todas las instrucciones de seguridad. Todo uso negligente o indebido de la hidrolavadora puede provocar lesiones graves o mortales.

Pida a su concesionario de servicio STIHL autorizado que le enseñe el manejo de la hidrolavadora.

No preste ni alquile nunca su hidrolavadora sin entregar este manual de instrucciones. Solamente permita que las personas que comprenden la información de este manual por completo manejen la hidrolavadora

Para obtener más información, o si no comprende alguna de las instrucciones incluidas en este manual, visite www.stihlusa.com o comuníquese con el concesionario de STIHL.

2 Acerca de este manual de instrucciones

2.1 Palabras identificadoras

Este manual contiene información sobre seguridad a la que usted debe prestar atención especial. Dicha información se indica con los siguientes símbolos y palabras identificadoras:

 **PELIGRO**

Identifica una situación de peligro que, de no evitarse, causará lesiones graves o mortales.

 **ADVERTENCIA**


Identifica una situación de peligro que, de no evitarse, podría causar lesiones graves o mortales.

INDICACIÓN

Indica el riesgo de daños a la propiedad, incluidos la máquina o sus componentes.

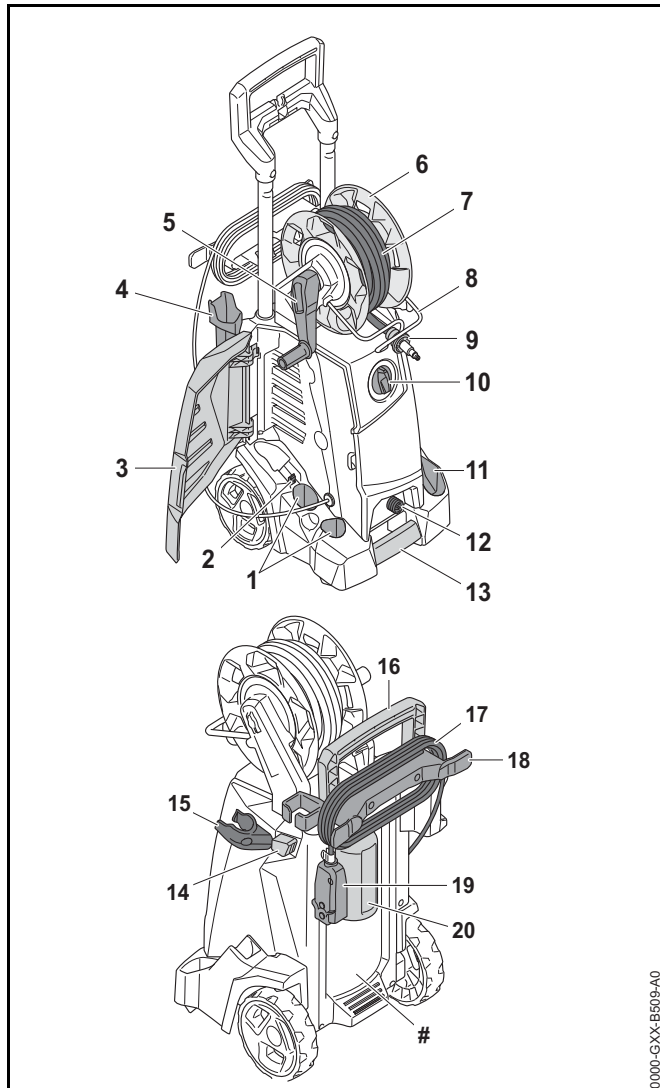
2.2 Símbolos en el texto

El siguiente símbolo tiene como finalidad ayudarlo a utilizar este manual.

 Hace referencia a un capítulo o subcapítulo designado en este manual de instrucciones.

3 Componentes importantes

3.1 Hidrolavadora



0000-GYX-B509-A0

- 1 Compartimiento de almacenamiento**
Para guardar las boquillas de presión alta.
- 2 Aguja limpiadora**
Diseñada para quitar la suciedad y los desperdicios de las boquillas rociadoras.
- 3 Cubierta**
Cubre las boquillas rociadoras y la aguja limpiadora.
- 4 Soporte para pistola rociadora**
Para guardar la pistola rociadora.
- 5 Manivela**
Gira el carrete de la manguera
- 6 Carrete de la manguera**
Para enrollar la manguera de presión alta.
- 7 Manguera de presión alta**
Conduce el agua de la bomba de presión alta a la pistola rociadora.
- 8 Espada**
Guía la manguera de presión alta hacia el carrete.
- 9 Acoplamiento**
Para conectar la manguera de presión alta a la pistola rociadora.
- 10 Interruptor de encendido**
Enciende y apaga el motor.
- 11 Portador para accesorio rociador**
Para retirar la pistola rociadora y la lanza.
- 12 Conector de entrada de agua**
Conecta la manguera de agua a la bomba de presión alta.
- 13 Mango de transporte**
Permite levantar y transportar la hidrolavadora.
- 14 Botón de soltado**
Destraza la barra de empuje para permitir el ajuste de la altura.
- 15 Portador para accesorio rociador**
Para retirar la pistola rociadora y la lanza.

16 Barra de empuje

Para transportar la hidrolavadora:

17 Cordón eléctrico

Suministra electricidad a la hidrolavadora cuando está conectada a un tomacorriente de pared (suministro eléctrico).

18 Soportes para el cordón eléctrico

Para guardar el cordón eléctrico.

19 Enchufe con GFCI

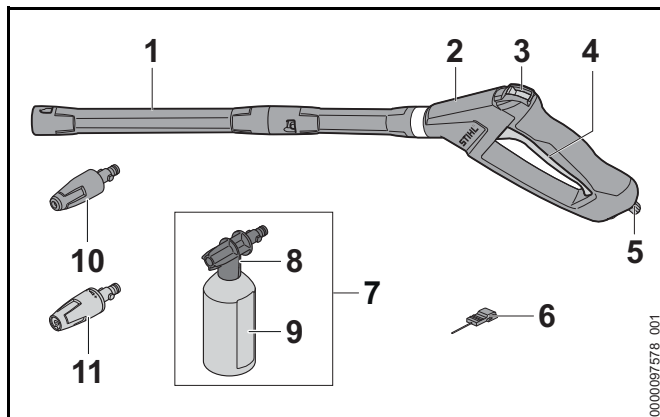
Permite conectar el cordón eléctrico a un tomacorriente de pared. El interruptor de pérdidas a tierra (GFCI) incorporado está diseñado para reducir el riesgo de descarga eléctrica.

20 Sujetador para el juego de pulverización de detergente

Para guardar el juego de pulverización de detergente.

Placa de características

Contiene los datos eléctricos y el número de serie del producto.

3.2 Accesorio pulverizador**1 Lanza de rociado**

Dirige el chorro de agua de la pistola rociadora a la boquilla de alta presión.

2 Pistola rociadora

Para controlar y dirigir el chorro de agua.

3 Pestillo de retención

Bloquea y desbloquea el gatillo de la pistola rociadora.

4 Gatillo de la pistola rociadora

Abre y cierra la válvula de la pistola rociadora.

5 Acoplamiento de la manguera de alta presión

Para conectar la manguera de presión alta a la pistola rociadora.

6 Aguja limpiadora

Diseñada para quitar la suciedad y los desperdicios de las boquillas rociadoras.

7 Juego de pulverización de detergente

Se usa para añadir detergentes.

8 Boquilla de detergente

Diseñada para combinar el detergente con agua y pulverizarlo.

9 Frasco de detergente

Para añadir detergente durante la limpieza.

10 Boquilla de chorro giratorio

Boquilla giratoria para limpiar suciedad rebelde.

11 Boquilla de chorro tipo abanico

Boquilla universal para limpiar superficies grandes.

4 Símbolos de seguridad en el producto**4.1 Hidrolavadora**

Los siguientes símbolos de seguridad están presentes en la hidrolavadora:



Para reducir el riesgo de lesiones, respete las medidas de seguridad especificadas.



Lea y atégase a todas las precauciones de seguridad dadas en el manual de instrucciones. El uso inadecuado puede provocar lesiones personales graves o mortales o daños a la propiedad.



Para reducir el riesgo de lesionarse los ojos, siempre use gafas protectoras. 5.4.



Para reducir el riesgo de lesionarse, mantenga las manos, los pies y otras partes del cuerpo alejados del chorro de agua, 5.8.4.



Para reducir el riesgo de que el operador u otras personas sufran lesiones graves o fatales, nunca dirija el chorro de presión alta hacia el operador, otras personas ni animales, ni siquiera para limpiar su ropa o zapatos, 5.8.4.



Para reducir el riesgo de cortocircuitos, incendios y electrocución, nunca rocíe cerca de fuentes de energía. No confíe en el aislamiento contra choques eléctricos de la hidrolavadora, 5.8.4.



Para reducir el riesgo de producir un cortocircuito, incendios y electrocución, nunca dirija el chorro hacia aparatos y equipos eléctricos, tomas de corriente o cables eléctricos, 5.8.4



Para reducir el riesgo de lesiones o daños a la propiedad, desconecte la hidrolavadora del suministro eléctrico inmediatamente si el cordón eléctrico se daña, 12



Para reducir el riesgo de un incendio o explosión que pudiera provocar lesiones personales graves o daños a la propiedad, nunca rocíe líquidos inflamables o combustibles, 5.8.4



Para reducir el riesgo de dañar la hidrolavadora, no la use ni la guarde a temperaturas heladas. Guarde la hidrolavadora bajo techo, en un lugar seco y bajo llave al que los niños y otras personas no autorizadas no puedan acceder, 6.

5 INSTRUCCIONES IMPORTANTES DE SEGURIDAD

5.1 Advertencias e instrucciones generales sobre seguridad

Esta sección contiene advertencias de seguridad e instrucciones generales en cuanto a limpiadores / hidrolavadoras de presión alta. En las siguientes secciones de este manual, se proporcionan otras advertencias e instrucciones importantes.

ADVERTENCIA

Para reducir el riesgo de incendios, descargas eléctricas y lesiones personales, siempre respete las medidas de seguridad básicas al usar hidrolavadoras eléctricas:

- 1) Lea todas las instrucciones antes de usar el producto.
- 2) Para reducir el riesgo de lesiones, es necesario supervisar de cerca el producto si hay niños en las cercanías.
- 3) Sepa cómo apagar el producto y aliviar la presión con rapidez. Familiarícese por completo con los controles.
- 4) Permanezca alerta – Esté atento a lo que está haciendo.
- 5) No use el producto si se encuentra fatigado o bajo la influencia del alcohol o las drogas.
- 6) Aleje a las demás personas de la zona de trabajo.
- 7) No se extienda excesivamente ni se pare sobre un apoyo inestable. Mantenga los pies bien apoyados y equilibrados en todo momento.
- 8) Siga las instrucciones de mantenimiento dadas en el manual.

- 9) Este producto incorpora un interruptor de pérdidas a tierra en su cordón de alimentación o en el enchufe. Si se necesita reemplazar el interruptor de pérdidas a tierra o el cordón, utilice únicamente un repuesto idéntico.
- 10) ADVERTENCIA — Riesgo de lesionarse los ojos. El chorro puede rebotar hacia el usuario o lanzar objetos. Siempre utilice protección adecuada en los ojos, tal como los anteojos de seguridad o antiparras, o una careta al aplicar el chorro. (Las gafas de seguridad no ofrecen protección plena.)

INSTRUCCIONES DE PUESTA A TIERRA

⚠ ADVERTENCIA

- Este producto requiere de conexión a tierra. Si presenta una avería o mal funcionamiento, la conexión a tierra proporciona una trayectoria de baja resistencia para la corriente eléctrica a fin de reducir las sacudidas. El producto cuenta con un cordón provisto de conductor y clavija de puesta a tierra. El enchufe deberá conectarse a un tomacorriente adecuado que haya sido debidamente instalado y puesto a tierra, según lo dispuesto en los códigos y reglamentos de la localidad.
- La conexión indebida del conductor de puesta a tierra del equipo puede dar por resultado el riesgo de electrocución. Consulte a un electricista calificado o al personal de mantenimiento si se tienen dudas en cuanto a la puesta a tierra del tomacorriente eléctrico. No modifique el enchufe del producto — si no encaja en el tomacorriente, pídale a un electricista competente que instale un tomacorriente adecuado. No utilice ningún tipo de adaptador con este producto.

PROTECCIÓN DEL INTERRUPTOR DE PÉRDIDAS A TIERRA

⚠ ADVERTENCIA

- Esta hidrolavadora cuenta con un interruptor de pérdidas a tierra (GFCI) incorporado en el enchufe o el cordón eléctrico. Este dispositivo ofrece protección adicional

contra el riesgo de descargas eléctricas. Si se necesita reemplazar el interruptor de pérdidas a tierra o el cordón, utilice únicamente un repuesto idéntico.

ALARGADORES

⚠ ADVERTENCIA

- Riesgo de electrocución Si se utiliza un alargador, se podría causar una sacudida eléctrica o quemadura que resulte en lesiones graves o mortales.
- No use un alargador con esta hidrolavadora. El tomacorriente eléctrico o el alargador podría no contar con la protección de un interruptor de pérdidas a tierra.
- Esta hidrolavadora cuenta con un interruptor de pérdidas a tierra (GFCI) incorporado en el cordón eléctrico. No use un alargador con esta hidrolavadora.

CIRCUITO INDIVIDUAL

⚠ ADVERTENCIA

- Solamente utilice un circuito individual para la conexión. Un circuito individual es uno dispuesto para alimentar a un solo dispositivo eléctrico. Si se alimentan varios dispositivos de un solo circuito eléctrico, se podría causar una sobrecarga y abrir el disyuntor o fusible.

INFORMACIÓN ADICIONAL DE SEGURIDAD

⚠ ADVERTENCIA

- Lea y atégase a todas las precauciones de seguridad dadas en las etiquetas y en el manual de instrucciones. El no seguir estas instrucciones puede causar lesiones graves o mortales.
- El chorro es capaz de salpicar con fuerza y propulsar objetos a gran velocidad. Para reducir el riesgo de lesionarse los ojos, siempre utilice gafas resistentes a impactos y que porten designaciones que indiquen que satisfacen la norma ANSI Z87 “+”. Los anteojos también deberán ofrecer protección contra riesgos por gotas/salpicaduras según la norma ANSI Z87.1.

- Mantenga a los espectadores y animales fuera de la zona de trabajo.
- Siempre protéjase los oídos.
- Consulte la placa de características para ver la presión y temperatura máximas de descarga — utilice únicamente mangueras y accesorios con capacidad nominal para tolerar estos valores o más. Use únicamente repuestos STIHL genuinos.
- La pistola rociadora produce un culatazo (contragolpe) fuerte en sentido opuesto al chorro. Sujétela firmemente con las dos manos para reducir el riesgo de lesionarse por la pérdida del control.
- Debido a la presión alta y la velocidad elevada del agua, el chorro es sumamente potente. Para reducir el riesgo de laceraciones graves y de que los fluidos penetren debajo de la piel, no dirija el chorro de aspersión hacia usted, otras personas ni animales. Manténgase alejado de la boquilla cuando la máquina está en uso. Compruebe que el chorro de agua no dañe el objeto que se está limpiando.
- Para reducir el riesgo de incendios y explosiones, nunca rocíe fluidos inflamables.
- Para reducir el riesgo de sufrir lesiones graves o mortales causadas por las descargas eléctricas, nunca use la hidrolavadora si el cordón eléctrico está cortado, agrietado, desgastado o dañado. Si el cordón presenta daños, desconéctelo de inmediato.
- Para reducir los riesgos de electrocución e incendios, nunca dirija el chorro hacia la máquina misma, hacia otros aparatos o equipos eléctricos, tomacorrientes o cordones de alimentación. Nunca rocíe cerca de una fuente de energía.
- Proteja la máquina contra la congelación.
- Guárdela bajo techo.
- Si se conecta la máquina contra un sistema de agua potable, el sistema deberá protegerse contra el contraflujo.

RIESGO DE ELECTROCUCIÓN

ADVERTENCIA

- Conecte la máquina únicamente a un tomacorriente con conexión a tierra. No elimine la clavija de puesta a tierra.
- Revise el cordón antes de usar la máquina y no la use si el cordón presenta daños.
- Mantenga todas las conexiones secas y elevadas sobre el suelo.
- No manipule el enchufe con manos mojadas.
- Este producto incorpora un interruptor de pérdidas a tierra en el enchufe de su cordón. Si se necesita reemplazar el enchufe o el cordón, utilice únicamente un repuesto idéntico.
- No use un alargador.
- Lea el manual de instrucciones antes de usar la máquina.

5.2 Uso previsto

ADVERTENCIA

- Esta hidrolavadora ha sido diseñada para efectuar trabajos de limpieza en el hogar y jardín, para limpiar mobiliario del jardín, veredas, patios, vehículos, remolques y otros usos similares.
- Utilice la hidrolavadora únicamente para limpiar superficies sólidas y otros artículos que no serán dañados por el agua ni por la fuerza del chorro.

- Utilice la hidrolavadora únicamente de la manera descrita en este manual. No se la debe utilizar con ningún otro propósito, ya que el uso indebido puede causar lesiones personales o daños a la propiedad, incluso daños a la hidrolavadora.
 - Nunca intente modificar ni anular los controles o dispositivos de seguridad de la hidrolavadora en manera alguna.
 - Nunca utilice una hidrolavadora que haya sido modificada o alterada, apartándose de su diseño original.

5.3 Operador

⚠ ADVERTENCIA

- El uso de la hidrolavadora puede ser fatigoso. El operador debe hallarse en buenas condiciones tanto físicas como mentales. Para reducir el riesgo de lesiones personales causadas por fatiga o pérdida del control:
 - Consulte con su médico antes de trabajar con la hidrolavadora si usted padece de alguna condición de salud que pudiera ser agravada por el trabajo extenuante.
 - No utilice la hidrolavadora si se encuentra bajo la influencia de alguna sustancia (drogas, alcohol o medicamentos, etc.) que pudiera perjudicar su visión, equilibrio, destreza o criterio.
 - Esté alerta. No use la hidrolavadora si está cansado. Tómese un descanso si se siente cansado.
 - No permita que menores de edad usen la hidrolavadora.
 - No se debe permitir la proximidad de otros, especialmente niños y animales, donde se esté utilizando la hidrolavadora.

- Según los conocimientos actuales de STIHL, el motor eléctrico de esta hidrolavadora no debería interferir con un marcapasos.
 - Sin embargo, las personas con marcapasos u otro dispositivo médico implantado deben consultar a su médico y al fabricante del dispositivo antes de utilizar esta hidrolavadora.

5.4 Equipos de protección personal

⚠ ADVERTENCIA

- Para reducir el riesgo de lesiones personales:
 - Siempre use ropa adecuada y trajes protectores, incluidas gafas protectoras adecuadas.

- Para reducir el riesgo de lesiones oculares:



- Siempre utilice anteojos de seguridad resistentes a impactos que cumplan con la norma ANSI Z87 "+". Los anteojos también deberán ofrecer protección contra riesgos por gotas/salpicaduras según la norma ANSI Z87.1.
- Las gafas de seguridad no ofrecen protección plena.

- Es muy importante tener una buena superficie de apoyo para los pies. Para ayudar a mantener un punto de apoyo seguro y reducir el riesgo de lesiones mientras trabaja:



- Póngase botas gruesas con suela antideslizante. Nunca use sandalias, chanclas, zapatos que dejen los dedos descubiertos ni calzado de ese tipo.

- Para reducir el riesgo de descarga eléctrica:
 - Utilice calzado con suelas de caucho que ofrezca aislamiento cuando utilice la hidrolavadora.
- Se podrían formar aerosoles cuando se trabaja con una hidrolavadora. Algunos aerosoles pueden ser nocivos si se inhalan. Para determinar las medidas necesarias para ofrecer protección contra aerosoles acuosos, efectúe una

evaluación de riesgos antes de empezar a trabajar. Según la evaluación de riesgos, podría ser necesario usar una mascarilla categoría FFP2 o superior.

5.5 Hidrolavadora

⚠ ADVERTENCIA

- Para reducir el riesgo de sufrir lesiones graves o mortales causadas por electrocución o descarga eléctrica:
 - Coloque la hidrolavadora fuera de la zona de trabajo húmeda.
 - Guarde la hidrolavadora puertas adentro.
 - Nunca utilice la hidrolavadora si la envuelta del motor tiene roturas o daños.
- Para reducir el riesgo de lesiones personales al operador y a los espectadores:
 - Apague la hidrolavadora, alivie la presión del sistema, bloquee el gatillo de la pistola rociadora y desconecte la fuente de alimentación eléctrica antes de armar, inspeccionar, limpiar, o darle mantenimiento o servicio a la hidrolavadora.
- Aunque algunos accesorios no autorizados podrían encajar con las hidrolavadoras STIHL, su uso podría resultar extremadamente peligroso. Utilice únicamente los accesorios suministrados por STIHL o expresamente autorizados por STIHL para usarse con este modelo específico de máquina.
 - Use solo los accesorios suministrados o expresamente aprobados por STIHL.
 - No modifique esta hidrolavadora de ningún modo.
 - Nunca intente modificar ni anular los controles o dispositivos de seguridad de la hidrolavadora en manera alguna.
 - Nunca utilice una hidrolavadora que haya sido modificada o alterada, apartándose de su diseño original.

- Si la hidrolavadora se cae o se expone a fuertes impactos:
 - Asegúrese de que no se haya dañado, de que esté en buenas condiciones y de que funcione correctamente antes de seguir con el trabajo.
 - Compruebe que los controles y dispositivos de seguridad funcionen correctamente.
 - Compruebe que el cordón eléctrico no se haya dañado.
 - Nunca trabaje con una hidrolavadora dañada o defectuosa. Ante cualquier duda, pídale a un concesionario de servicio de STIHL autorizado que revise la hidrolavadora.
- Si la hidrolavadora se avería, no funciona debidamente, ha sido dejada a la intemperie, se expone a la lluvia, sus componentes podrían no funcionar debidamente y los dispositivos de seguridad podrían quedar inoperantes. Para reducir el riesgo de lesiones personales y daños a la propiedad:
 - Lleve la hidrolavadora a un concesionario de servicio STIHL autorizado para que realice un control antes de seguir utilizando la unidad.
- Las piezas de repuesto auténticas de STIHL están diseñadas específicamente para su hidrolavadora y satisfacen las necesidades de rendimiento y seguridad. El uso de componentes no autorizados o no aprobados por STIHL puede causar lesiones graves o mortales y daños a la propiedad.
 - STIHL recomienda que solo se utilicen repuestos STIHL idénticos.

5.6 Cordón eléctrico

⚠ ADVERTENCIA

- El uso de un cable de suministro eléctrico o un enchufe dañado puede provocar incendios, descargas eléctricas y otras lesiones personales o daños a la propiedad. Para reducir estos riesgos:



- Revise regularmente el cordón eléctrico y su enchufe en busca de daños. Si presenta daños, desconecte de inmediato la hidrolavadora de la fuente de alimentación. Nunca utilice un cable de suministro eléctrico o enchufe dañados.
- No tire del cable de suministro eléctrico, ni lo desgaste, aplaste, maltrate o utilice indebidamente. Protéjalo del calor, el aceite y los bordes afilados.
- Si se daña el cable de suministro eléctrico, solicite a un concesionario de servicio STIHL autorizado que lo sustituya antes de usarlo. Un cordón eléctrico dañado debe sustituirse con un repuesto STIHL idéntico.
- Desenchufe el cable de suministro eléctrico del tomacorriente cuando la hidrolavadora no esté en funcionamiento.
- Nunca jale ni tire del cable de suministro eléctrico para desconectarlo. Para desenchufarlo, sujete el enchufe y no el cordón.
- Asegúrese de que el cable de suministro eléctrico esté ubicado y asegurado o marcado de modo de evitar que se lo pise, cause tropiezos, esté en contacto con objetos cortantes o partes móviles, o quede sujeto a cualquier otro tipo de daños o esfuerzo.
- Solamente utilice un circuito individual para la conexión. Un circuito individual es uno dispuesto para alimentar a un solo dispositivo eléctrico. Si se alimentan varios dispositivos de un solo circuito eléctrico, se podría causar una sobrecarga y abrir el disyuntor o fusible.

- Esta hidrolavadora está provista de un interruptor de pérdidas a tierra (GFCI) incorporado. Para reducir el riesgo de descarga eléctrica:
 - Nunca enchufe la fuente de alimentación en una zapatilla eléctrica ni en un cable de extensión.
 - La hidrolavadora debe conectarse a un tomacorriente eléctrico debidamente puesto a tierra. Consulte a un electricista calificado si se tienen dudas en cuanto a la puesta a tierra del tomacorriente eléctrico.
 - Siempre pruebe el GFCI incorporado antes de usar la hidrolavadora. Nunca trabaje con un GFCI defectuoso. Para información sobre la prueba y reposición del GFCI, ver el capítulo 10.
- Esta herramienta eléctrica tiene un enchufe polarizado (una clavija es más ancha que la otra). Este enchufe solo puede conectarse a un tomacorriente polarizado en una posición. Para reducir el riesgo de descarga eléctrica:
 - No modifique el enchufe en modo alguno.
 - Si el enchufe no puede conectarse al tomacorriente, invírtalo. Si todavía no puede conectarse, solicite a un electricista calificado que instale un tomacorriente adecuado.

5.7 Conexión del suministro de agua

⚠ ADVERTENCIA

- Cuando se suelta el gatillo de la pistola rociadora, el retroceso del fluido podría empujar agua no potable hacia el sistema de agua potable.
 - No conecte la hidrolavadora directamente a un sistema de agua potable.
 - Si se conecta la hidrolavadora a un sistema de agua potable, será necesario instalar una válvula de prevención del contraflujo entre la llave de agua y la manguera. El diseño de la válvula de prevención del contraflujo deberá cumplir con los códigos y reglamentos de gestión de agua de la localidad.


- Una vez que agua potable fluye por la válvula de prevención del contraflujo, la misma ya no podrá considerarse potable. Para evitar la contaminación del agua potable:
 - Siga las reglas establecidas por la empresa local de suministro de agua para impedir que el agua retorne de la hidrolavadora al suministro de agua potable.
 - No use la hidrolavadora con agua sucia (es decir, agua que contenga arena, tierra u otras partículas). Si existe un riesgo de que el suministro de agua esté sucio, utilice un filtro de agua adecuado o busque otra fuente de agua.

5.8 Uso de la hidrolavadora

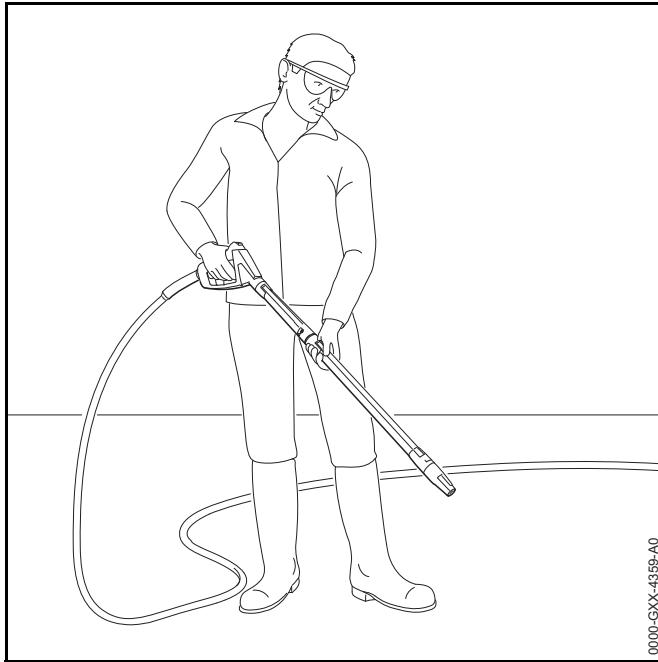
5.8.1 Antes del uso

ADVERTENCIA

- El uso inadecuado o no autorizado puede causar lesiones personales o daños a la propiedad.
 - Utilice la hidrolavadora únicamente de la manera descrita en este manual de instrucciones.
- El uso de una hidrolavadora que presenta modificaciones, daños, ajustes incorrectos o mantenimiento deficiente puede causar una avería y aumentar el riesgo de lesiones personales graves o de la muerte.
 - No maneje nunca una hidrolavadora que esté modificada, dañada, mal ajustada o que no fue armada completa y debidamente.
 - Antes de empezar a trabajar, siempre revise que la hidrolavadora esté en buenas condiciones y que funcione correctamente, particularmente el gatillo de la pistola rociadora y su pestillo de retención.
 - Compruebe que el gatillo de la pistola rociadora y su pestillo de retención se muevan libremente. El gatillo de la pistola rociadora no deberá poder oprimirse sin antes mover el pestillo de retención a la posición desbloqueada.
 - Nunca intente modificar ni anular los controles ni los dispositivos de seguridad de ningún modo.

- Si la hidrolavadora o cualquier pieza de la unidad están dañada o no funciona correctamente, llévela a un concesionario de servicio STIHL autorizado. No use la hidrolavadora hasta que el problema se haya solucionado.
- Antes de conectar la hidrolavadora al suministro eléctrico:
 - Lea y atégase a las instrucciones de encendido de la hidrolavadora,  11.1.
 - Compruebe que la manguera de presión alta se encuentre en buenas condiciones y no deshilachada, agrietada, deformada o averiada en manera alguna. Nunca utilice una máquina que tenga la manguera de presión alta averiada o desgastada.
- Para reducir el riesgo de lesiones personales graves o la muerte a causa de arranques accidentales:
 - Nunca acarree la hidrolavadora con el dedo en el gatillo de la pistola rociadora.
 - Apague la hidrolavadora, alivie la presión del sistema, bloquee el gatillo de la pistola rociadora y desconecte la fuente de alimentación eléctrica antes de armar, inspeccionar, limpiar, o darle mantenimiento o servicio a la hidrolavadora.
 - Siempre apague la hidrolavadora, alivie la presión del sistema y bloquee el gatillo de la pistola rociadora antes de desconectar la manguera de alta presión o la lanza rociadora de la pistola rociadora.
 - Siempre apague la hidrolavadora, libere la presión del sistema y bloquee el gatillo de la pistola rociadora antes de cambiar o ajustar alguna boquilla o accesorio.
 - Nunca deje la hidrolavadora desatendida cuando está conectada al suministro eléctrico.

5.8.2 Sujeción y control de la hidrolavadora



⚠ ADVERTENCIA

- Para sujetar con firmeza y controlar correctamente la hidrolavadora:
 - Mantenga el accesorio pulverizador limpio en todo momento. Protéjalo del alquitrán, el aceite, la grasa y la resina.
- Para reducir el riesgo de que el operador u otras personas sufran lesiones graves o mortales por la pérdida del control:
 - Siempre sujete el accesorio pulverizador firmemente con las dos manos cuando trabaje con él.
 - Cierre firmemente los dedos sobre la pistola y la lanza rociadora.
- Coloque el accesorio pulverizador en una posición tal que todas las partes del cuerpo estén lejos del chorro de agua.
- Ubique el cordón eléctrico de modo que no se dañe mientras trabaja con la hidrolavadora.
- Siempre mantenga el cordón eléctrico detrás del operador y alejado del chorro a presión. No permita que el cordón eléctrico se enrede con obstáculos ni objetos.
- Poner la hidrolavadora en funcionamiento con una mano es extremadamente peligroso. Trabajar con una sola mano dificulta la oposición y la absorción de las fuerzas reactivas (contragolpe) sin perder el control de la hidrolavadora. Para reducir el riesgo de que el operador u otras personas sufran lesiones graves o mortales:
 - Nunca intente manejar la hidrolavadora con una sola mano.
- Debido a la elevada presión y velocidad del chorro, los fluidos pueden penetrar la piel y causar inyección del fluido y/o lesiones graves. Para reducir el riesgo de que el operador o los espectadores sufran lesiones graves o mortales casadas por la pérdida de control, mantenga siempre un punto de apoyo seguro y el equilibrio:
 - Tenga sumo cuidado cuando trabaje en terreno con mucha vegetación o húmedo, y para evitar tropezarse o caerse, siempre esté atento a los obstáculos ocultos, tales como tocones, raíces, piedras, hoyos y zanjas.
 - Para evitar tropezarse o caerse, observe en todo momento dónde se encuentra el cordón eléctrico.
 - Sea sumamente precavido cuando trabaje en declives o terreno irregular.
- Para reducir el riesgo de lesionarse por la pérdida del control:
 - No trabaje sobre una escalera, sobre un techo, en un árbol o cualquier otro punto de apoyo que no sea seguro.
 - Nunca ponga la hidrolavadora en funcionamiento a una altura más arriba de los hombros.

- No trate de llegar más lejos de lo debido. Mantenga los pies bien apoyados y equilibrados en todo momento.

5.8.3 Condiciones de trabajo

▲ ADVERTENCIA

- Utilice la hidrolavadora solamente en condiciones de buena visibilidad y a la luz del día.
 - Posponga los trabajos si el tiempo está ventoso, con neblina, lluvioso o inclemente.
- La hidrolavadora es una máquina que debe ser manejada por una sola persona.
 - No deje que otras personas estén en el lugar de trabajo.
 - No se debe permitir la proximidad de otras personas, especialmente de niños, ni de animales en los lugares donde se esté utilizando la máquina.
 - Apague el motor inmediatamente si se le aproxima alguna persona.
- Para reducir el riesgo de lesiones a los espectadores y usuarios no autorizados:
 - Nunca deje la hidrolavadora desatendida cuando está conectada al suministro eléctrico.
 - Apague la hidrolavadora y desconéctela del suministro eléctrico durante los recreos de trabajo y cualquier otro momento en que la hidrolavadora no esté en uso.
- Las chispas que se generan del funcionamiento de la hidrolavadora pueden encender gases, líquidos, vapores, polvos u otros materiales y sustancias combustibles. Para reducir el riesgo de incendio y explosión:
 - No utilice la hidrolavadora en un lugar donde haya gases, líquidos, vapores, polvos u otros materiales y sustancias combustibles.
 - Lea y atégase a las recomendaciones dadas por autoridades gubernamentales (por ejemplo, OSHA) para identificar y evitar los peligros que representan gases combustibles, líquidos, vapores, polvos y otros materiales y sustancias combustibles.
- Si se pulverizan ciertos materiales con el chorro a presión se podría crear una nube de polvo o vapor que contenga partículas de materiales capaces de causar enfermedades respiratorias, cáncer, defectos congénitos y otras lesiones graves.
 - Nunca rocíe una superficie que contenga pintura a base de plomo.
 - Nunca dirija el chorro hacia materiales que contengan asbesto, tales como el hormigón o revestimiento de asbesto. Se podrían liberar fibras de asbesto peligrosas y capaces de ser aspiradas, además de la tierra.
 - Consulte con agencias gubernamentales tales como EPA, OSHA, CARB y NIOSH, al igual que otras fuentes fidedignas sobre materiales peligrosos si desconoce los riesgos asociados con las sustancias particulares con las cuales está rociando.
- La inhalación de ciertos polvos, especialmente los polvos orgánicos, tales como el moho o polen, puede provocar reacciones alérgicas o asmáticas en las personas sensibles. La inhalación repetida o de grandes cantidades

de polvo u otros contaminantes del aire, especialmente los de partículas pequeñas, puede causar enfermedades respiratorias o de otro tipo.

- Siempre que sea posible, controle el polvo y los vapores en su punto de origen.
- Hasta donde sea posible hacerlo, utilice la hidrolavadora de modo que el viento o el proceso de trabajo dirija el polvo, vapor u otras partículas generadas por la hidrolavadora en sentido opuesto al operador.
- Si no es posible mantener el polvo inhalable y otras partículas a niveles de fondo o aproximadamente de fondo, siempre utilice una mascarilla aprobada por NIOSH y con capacidad adecuada para las condiciones específicas del sitio. Siga las recomendaciones dadas por entidades gubernamentales (por ejemplo: OSHA/NIOSH) y asociaciones laborales y comerciales.
- La aspiración del polvo de asbesto es peligrosa y puede causar lesiones graves o mortales, enfermedades de las vías respiratorias o cáncer, incluido el mesotelioma. El uso y la eliminación de los productos que contienen asbesto están estrictamente reglamentados por OSHA y EPA.
 - Suspenda el trabajo de inmediato y comuníquese con las autoridades competentes estatales y locales y/o con la EPA, con la empresa o con el representante local de OSHA, si tiene razones para creer que está perturbando asbesto.

5.8.4 Instrucciones de manejo

ADVERTENCIA

- En caso de emergencia:
 - Apague el motor inmediatamente y desconecte la hidrolavadora de la fuente de alimentación.
- Para reducir el riesgo de incendio o explosión que pudiera provocar lesiones personales graves o daños a la propiedad:



– Nunca pulverice líquidos inflamables o combustibles.



– No permita que la bomba aspire fluidos que contengan disolventes o ácidos no diluidos (por ejemplo, gasolina, aceite para calefacción, diluyente de pintura o acetona).

- Debido a la elevada presión y velocidad del chorro, los fluidos pueden penetrar la piel y causar inyección del fluido y/o lesiones graves.



– Nunca dirija el chorro a presión hacia su persona u otras personas, ni siquiera para limpiar sus vestidos o zapatos.

– No dirija el chorro a presión hacia animales.



– Mantenga las manos, los pies y demás miembros del cuerpo lejos del chorro de agua.

– No dirija el chorro a presión alta hacia lugares que no pueda ver.

– Apague la hidrolavadora, libere la presión del sistema y bloquee el gatillo de la pistola rociadora antes de cambiar o ajustar alguna boquilla o accesorio.

– En caso de que ocurra un accidente y el rocío parezca haber penetrado en la piel, busque atención médica inmediatamente. No trate la herida como un simple corte.

- Para reducir el riesgo de daños a la propiedad o lesiones personales graves:
 - Empiece a trabajar a la mayor distancia eficaz con respecto a la superficie que se está limpiando. No se acerque tanto a la superficie que la fuerza del chorro empiece a dañarla.
 - Tenga cuidado especial al rociar materiales blandos tales como una tela.

- Tenga cuidado al dirigir el chorro hacia materiales frágiles tales como el vidrio. Podría romperlos.
- Esta hidrolavadora está diseñada para usarse con agua sola o con un detergente específicamente formulado y aprobado para su uso con hidrolavadoras. El uso de detergentes o productos limpiadores no adecuados puede causar lesiones personales y dañar la hidrolavadora y/o la superficie que se está limpiando.
 - Siempre utilice el detergente con la dosis indicada por el fabricante en las instrucciones de preparación y dilución del detergente, y las indicaciones de uso y eliminación seguros.
- Los detergentes químicos pueden contener sustancias nocivas (tóxicas, cáusticas, irritantes), inflamables o explosivas. Son potencialmente dañinos y pueden causar irritaciones en la piel o los ojos, quemaduras químicas y otras lesiones personales graves.
 - Evite el contacto con la piel y los ojos.
 - En caso de contacto accidental, lave el área de contacto inmediatamente con agua y un jabón suave.
 - Si entra líquido en los ojos: No se frote. Enjuague el ojo abierto con agua por al menos 15 minutos y busque atención médica.
- Si se pone en marcha la hidrolavadora sin agua, la bomba se sobrecalentará, lo cual podría causarle daños permanentes.
 - Siempre conecte y abra el suministro de agua de la bomba antes de arrancar el motor.
 - No ponga la hidrolavadora en marcha sin agua.

⚠ ADVERTENCIA

- Para reducir el riesgo de cortocircuitos, incendios y electrocución:

- No dirija el chorro a alta presión hacia la hidrolavadora ni hacia ninguno de sus componentes.



- Nunca dirija el chorro hacia aparatos y equipos eléctricos, tomacorrientes ni cordones eléctricos.



- Nunca rocíe cerca de tomacorrientes eléctricos u otras fuentes de alimentación.
- Nunca utilice la hidrolavadora si la envuelta del motor tiene roturas o daños.

6 Mantenimiento, reparación y almacenamiento

6.1 Advertencias e instrucciones

⚠ ADVERTENCIA

- La hidrolavadora no contiene piezas que el usuario esté autorizado a reparar. Para reducir el riesgo de incendios, descargas eléctricas o lesiones de otro tipo, así como de años materiales:
 - Los usuarios deben realizar únicamente los trabajos de mantenimiento y limpieza que se describen en este manual.
 - Respete escrupulosamente las instrucciones de limpieza y mantenimiento que se dan en las secciones correspondientes de este manual de instrucciones.
 - STIHL le recomienda que encargue la realización de los trabajos de reparación a un concesionario de servicio STIHL autorizado.

- Un arranque accidental puede provocar lesiones o daños materiales. Para reducir el riesgo de lesiones y de daños materiales provocados por un arranque accidental:
 - Apague la hidrolavadora, desconéctela de la fuente de alimentación, cierre el suministro de agua y apriete el gatillo de la pistola rociadora hasta que se libere por completo la presión del sistema. Después, bloquee el gatillo de la pistola rociadora antes de inspeccionar la hidrolavadora o de llevar a cabo cualquier tarea de limpieza, mantenimiento o reparación, así como antes de guardar la máquina y siempre que no esté en uso.
- El uso de piezas que no están autorizadas o aprobadas por STIHL puede provocar lesiones graves o mortales, así como daños materiales.
 - STIHL recomienda utilizar únicamente piezas de repuesto STIHL idénticas a las originales para llevar a cabo tareas de reparación o mantenimiento.
 - Si usa una manguera de presión de repuesto o auxiliar, asegúrese de que tiene capacidad suficiente para admitir la presión máxima de la hidrolavadora.
 - Si se usa una pistola o lanza rociadora de repuesto, o algún otro accesorio de pulverización, asegúrese de que tiene capacidad suficiente para admitir la presión máxima de la hidrolavadora.
- Para reducir el riesgo de descarga eléctrica:
 - Asegúrese de que el aislamiento del cordón eléctrico y el enchufe están en buenas condiciones y de que no presentan signos de deterioro (fragilidad), desgaste ni daños.
 - Nunca utilice la hidrolavadora si la carcasa que recubre el motor tiene grietas o daños.

INSTRUCCIONES DE TRANSPORTE Y ALMACENAMIENTO


⚠ ADVERTENCIA

- Un almacenamiento incorrecto puede resultar en un uso no autorizado de la hidrolavadora, o provocar daños en la máquina. Además, aumenta el riesgo de incendios y descargas eléctricas, así como de otras lesiones o daños materiales.
 - Desconecte la hidrolavadora de la fuente de alimentación antes de guardarla.
 - Nunca guarde la hidrolavadora con el enchufe del cordón eléctrico conectado a un tomacorriente.
 - Guarde la hidrolavadora en interiores, en un lugar seco y seguro al que no puedan acceder niños ni otras personas no autorizadas.



- Vacíe el juego de rociado de detergente, o asegure la máquina de modo que no vuelque ni pierda líquido.








- La unidad no se debe usar ni guardar a temperaturas inferiores a cero.
- Si tiene que transportar o guardar la hidrolavadora a temperaturas inferiores a cero, llene la bomba de anticongelante para evitar que se agriete por la dilatación del agua,  13.2.

¡GUARDE ESTAS INSTRUCCIONES!

7 Antes de empezar a trabajar

7.1 Preparación de la hidrolavadora para el funcionamiento

Antes de empezar a trabajar:

- ▶ Coloque la hidrolavadora sobre suelo firme y plano u otra superficie dura en una zona despejada.
- ▶ Conecte la pistola rociadora y la lanza,  8.3.
- ▶ Inserte la boquilla,  8.4.
- ▶ Si lo desea, añada detergente,  12.3.
- ▶ Conecte el suministro de agua,  9.
- ▶ Conecte el cordón de alimentación a un tomacorriente de pared debidamente instalado que coincida con la tensión y frecuencia eléctricas que se indican en la placa de características de la hidrolavadora. Solamente utilice un circuito individual para la conexión.
- ▶ Pruebe el interruptor de pérdidas a tierra (GFCI):  10.1

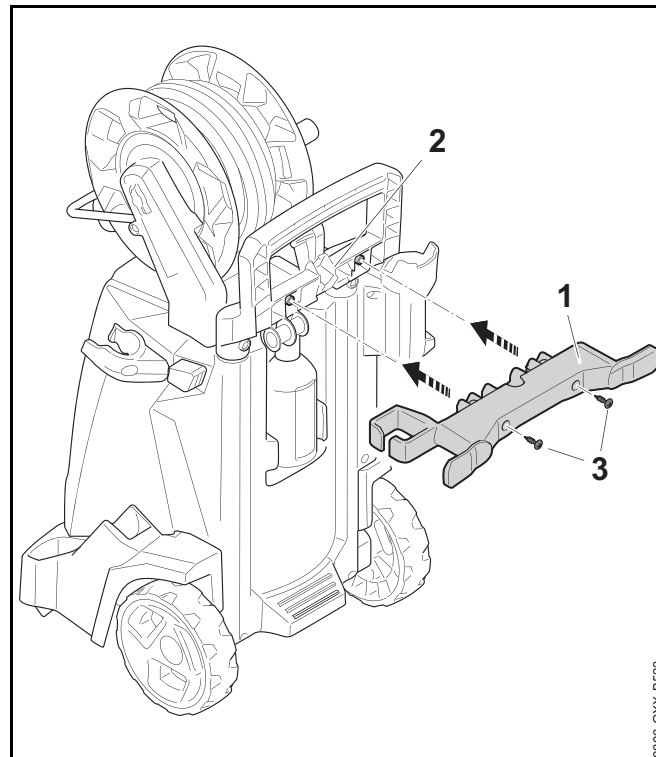
8 Armado de la hidrolavadora

8.1 Armado de las piezas y accesorios

ADVERTENCIA

Para reducir el riesgo de sufrir lesiones graves con el chorro a presión alta, siempre apague la hidrolavadora, corte el suministro de agua, alivie la presión restante del sistema y bloquee el gatillo de la pistola antes de intentar armar la hidrolavadora o el accesorio pulverizador.

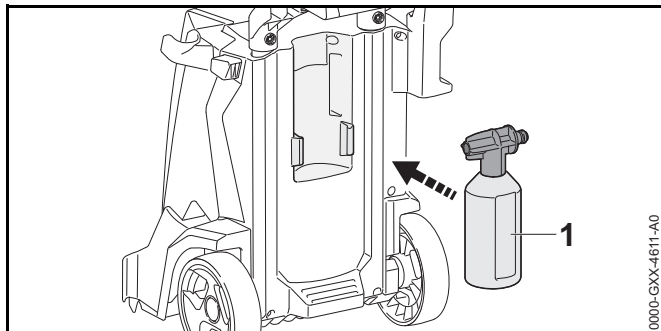
Soportes para el cordón eléctrico



- ▶ Empuje el soporte (1) en la manija (2).
- ▶ Inserte los tornillos (3) en la manija y apriételos.

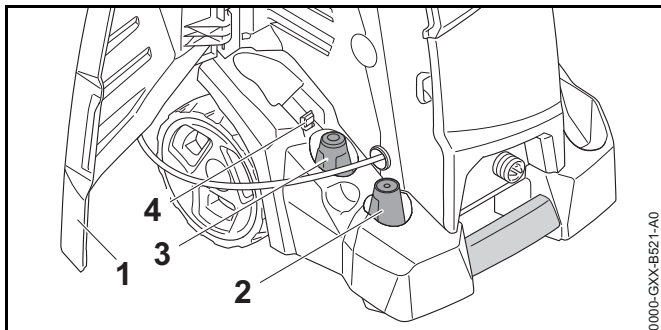
0000-GXX-B523

Juego de pulverización de detergente



- ▶ Inserte el juego de pulverización de detergente (1).

Boquillas y aguja limpiadora

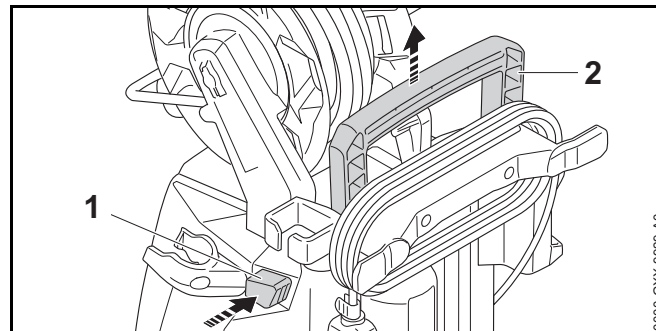


- ▶ Abra la cubierta (1).
- ▶ Inserte la boquilla de chorro tipo abanico (2) y la boquilla de chorro giratorio (3).
- ▶ Inserte la aguja limpiadora (4).

8.2 Ajuste del mango

8.2.1 Extensión del mango

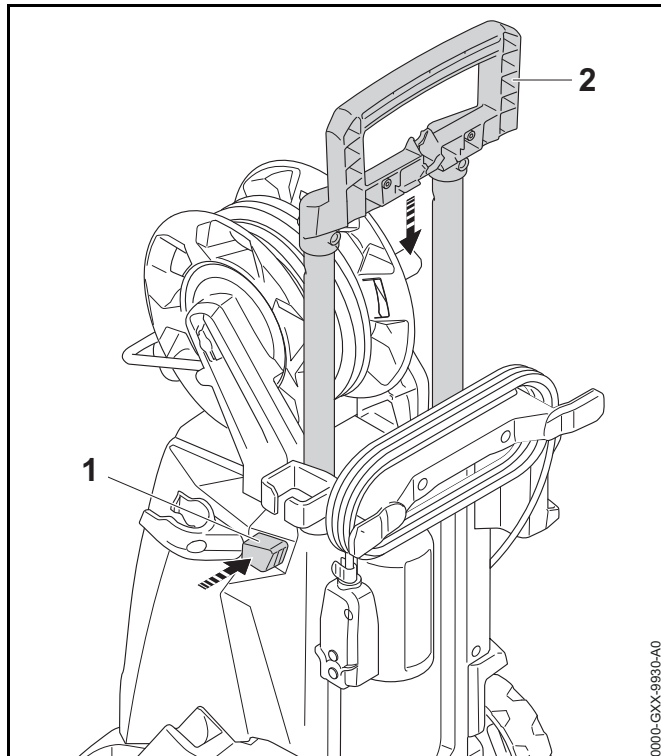
Para extender el mango:



- ▶ Oprima el botón de soltado (1) y levante el mango (2) a la altura deseada.
- ▶ Suelte el botón de soltado y continúe tirando del mango hacia arriba hasta que se enganche emitiendo un chasquido.

8.2.2 Bajada del mango

Para bajar el mango:




- ▶ Oprima el botón de soltado (1) y baje el mango (2) a la altura deseada.
- ▶ Suelte el botón de soltado y continúe bajando el mango hasta que se enganche emitiendo un chasquido.

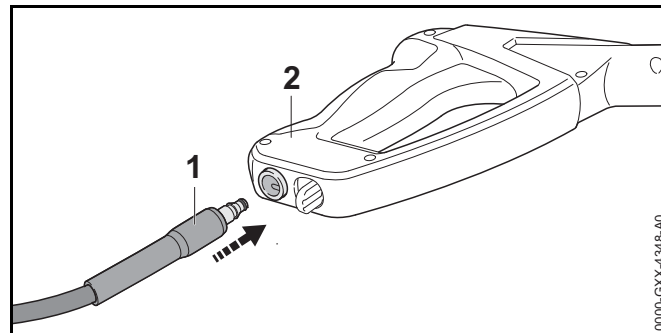
8.3 Pistola rociadora y lanza

8.3.1 Conexión de la pistola rociadora y de la lanza

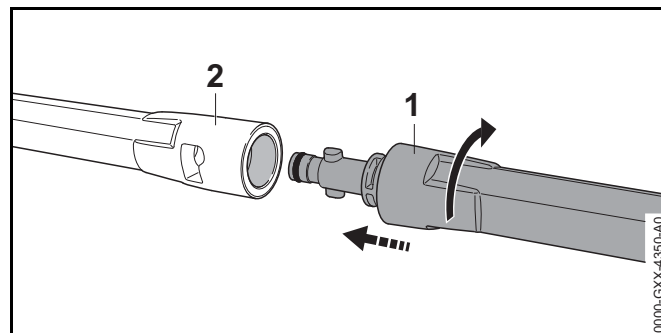
Para conectar la pistola rociadora y la lanza:

- ▶ Apague la hidrolavadora,  11.2.
- ▶ Desconecte la hidrolavadora de la fuente de alimentación.

- ▶ Cierre el suministro de agua.
- ▶ Bloquee el gatillo de la pistola rociadora.
- ▶ Quite toda la arena y suciedad de las conexiones y acoplamientos.



- ▶ Empuje la manguera de presión alta (1) en la pistola rociadora (2).
- ▶ Si resulta difícil empujar la manguera de presión alta contra la pistola rociadora, aplíquela una grasa apta para uso con alimentos a la superficie de sellado de la manguera.




- ▶ Conecte la lanza rociadora (1) a la pistola (2)
- ▶ Gire la lanza rociadora hasta que se enganche.
- ▶ Si resulta difícil enganchar la lanza en la pistola rociadora, aplíquela una grasa apta para uso con alimentos a la superficie de sellado de la lanza.

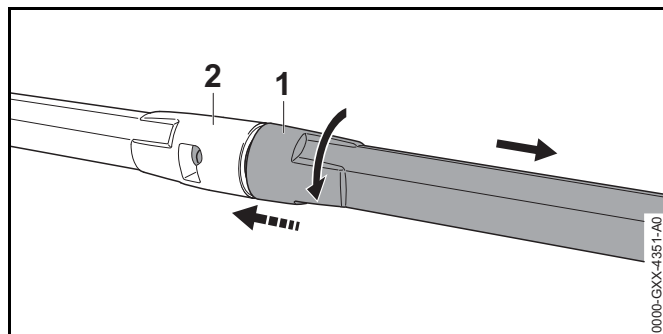
8.3.2 Retiro de la pistola rociadora y de la lanza

⚠ ADVERTENCIA

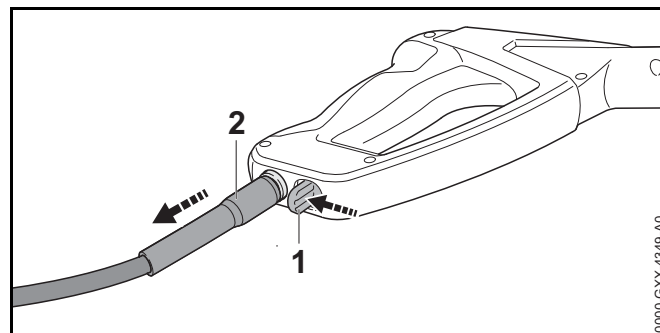
Para reducir el riesgo de sufrir lesiones graves con el chorro a presión alta, siempre apague la hidrolavadora, corte el suministro de agua, alivie la presión restante del sistema y bloquee el gatillo de la pistola antes de retirar o desarmar la pistola rociadora o la lanza.

Para retirar la pistola rociadora y la lanza:

- ▶ Apague la hidrolavadora,  11.2.
- ▶ Desconecte la hidrolavadora de la fuente de alimentación.
- ▶ Cierre el suministro de agua.
- ▶ Oprima el gatillo de la pistola rociadora para aliviar la presión.
- ▶ Bloquee el gatillo de la pistola rociadora.



- ▶ Presione la lanza (1) contra la pistola rociadora (2) y gírela hasta que tope.
- ▶ Quite la lanza (1) de la pistola rociadora (2)



- ▶ Empuje la palanca de bloqueo (1) hacia abajo y sosténgala.
- ▶ Tire de la manguera de presión alta (2) para quitarla.

8.4 Inserción y retiro de la boquilla

8.4.1 Inserción de la boquilla

⚠ ADVERTENCIA


Para reducir el riesgo de lesiones graves causadas por la liberación accidental del chorro, apague la hidrolavadora, alivie la presión del sistema y bloquee el gatillo de la pistola rociadora antes de intentar ajustar o cambiar la boquilla u otro accesorio. Para reducir el riesgo de lesiones graves causadas por la liberación accidental del chorro, apague la hidrolavadora, alivie la presión del sistema y bloquee el gatillo de la pistola rociadora antes de intentar ajustar o cambiar la boquilla u otro accesorio.

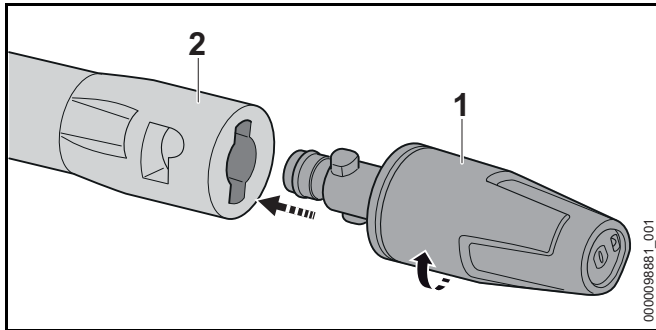
⚠ ADVERTENCIA

Si la boquilla de alta presión no está asegurada, podría salir despedida de la lanza rociadora durante el funcionamiento y causar lesiones. Verifique que la boquilla esté firmemente sujeta en el acoplamiento de conexión rápida.

La hidrolavadora se ofrece con dos boquillas de alta presión que se pueden conectar a la lanza rociadora.

Para insertar la boquilla:

- ▶ Apague la hidrolavadora,  11.2.
- ▶ Oprima el gatillo de la pistola rociadora para aliviar la presión.
- ▶ Bloquee el gatillo de la pistola rociadora.
- ▶ Quite toda la arena y suciedad de las conexiones y acoplamientos.



- ▶ Coloque la boquilla de alta presión (1) en la lanza rociadora (2).
- ▶ Presione la boquilla de alta presión (1) contra la lanza rociadora (2) hasta que tope.
- ▶ Una vez insertada, gire la boquilla de alta presión en el sentido de las agujas del reloj hasta que encaje.
- ▶ Si la boquilla de alta presión es difícil de insertar en la lanza rociadora, aplique una grasa de ajuste apta para alimentos en la superficie de sellado de la lanza de pulverización.


8.4.2 Retiro de la boquilla

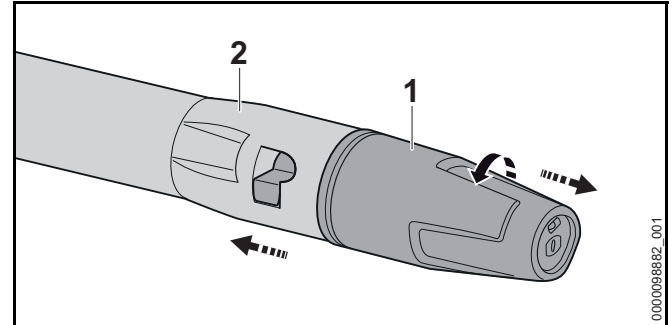
ADVERTENCIA

Para reducir el riesgo de lesiones graves causadas por la liberación accidental del chorro, apague la hidrolavadora, alivie la presión del sistema y bloquee el gatillo de la pistola rociadora antes de intentar ajustar o cambiar la boquilla u otro accesorio. Para reducir el riesgo de lesiones graves causadas por la liberación accidental del chorro, apague la

hidrolavadora, alivie la presión del sistema y bloquee el gatillo de la pistola rociadora antes de intentar ajustar o cambiar la boquilla u otro accesorio.

Para retirar la boquilla:

- ▶ Apague la hidrolavadora,  11.2.
- ▶ Oprima el gatillo de la pistola rociadora para aliviar la presión.
- ▶ Bloquee el gatillo de la pistola rociadora.



- ▶ Presione la boquilla de alta presión (1) contra la lanza rociadora (2) y extraiga la boquilla (1).

9 Conexión del suministro de agua

9.1 Conexión de la hidrolavadora al suministro de agua

ADVERTENCIA

Asegure que la hidrolavadora esté apagada y desconectada de la fuente de alimentación antes de conectarla o desconectarla del suministro de agua.


Conexión del suministro de agua

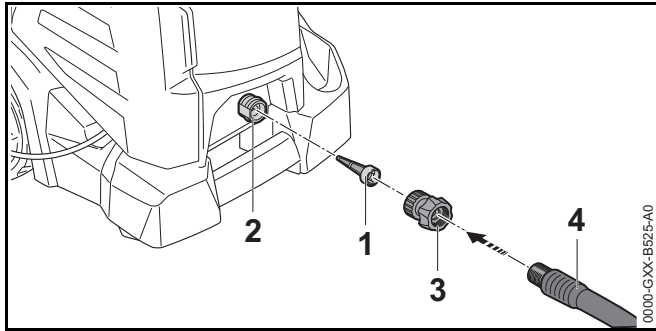
El suministro de agua deberá cumplir con los requisitos siguientes:


- Largo máximo de manguera de agua: 10 m (30 pies)

- Presión máxima de entrada de agua: 1 MPa/10 bar (145 lb/pulg²)

Conexión de la hidrolavadora al suministro de agua:

- ▶ Apague la hidrolavadora,  11.2.
- ▶ Desconecte la hidrolavadora de la fuente de alimentación.
- ▶ Quite toda la arena y suciedad de las conexiones y acoplamientos.
- ▶ Conecte la manguera de agua al suministro de agua.
- ▶ Abra la válvula de agua por completo para expulsar la arena y suciedad de la manguera.
- ▶ Cierre el suministro de agua.




- ▶ Inserte el colador de entrada (1) en el conector (2).
- ▶ Enrosque el acoplamiento (3) en el conector y apriételo con la mano.
- ▶ Conecte la manguera de agua (4).
- ▶ Si la lanza rociadora está conectada con la pistola rociadora, retire la lanza.
- ▶ Abra el suministro de agua.
- ▶ Mantenga oprimido el gatillo de la pistola rociadora hasta que la misma entregue un chorro uniforme de agua.
- ▶ Apague la hidrolavadora.
- ▶ Bloquee el gatillo de la pistola rociadora.
- ▶ Conecte la lanza rociadora.
- ▶ Inserte la boquilla,  8.4.1.

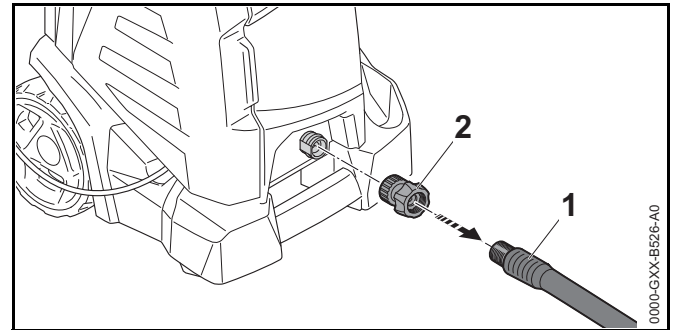
INDICACIÓN

Si se pone en marcha la hidrolavadora sin agua, la bomba se sobrecalentará, lo cual podría causarle daños permanentes. Siempre conecte y abra el suministro de agua de la bomba antes de arrancar el motor. No ponga la hidrolavadora en marcha sin agua.

Desconexión de la manguera de agua

Para desconectar la manguera de agua:

- ▶ Apague la hidrolavadora,  11.2.
- ▶ Desconecte la hidrolavadora de la fuente de alimentación.
- ▶ Cierre el suministro de agua.
- ▶ Oprima el gatillo de la pistola rociadora para aliviar la presión.
- ▶ Bloquee el gatillo de la pistola rociadora.



- ▶ Desconecte la manguera de agua (1).
- ▶ Desenrosque el acoplamiento (2).

10 Interruptor de pérdidas a tierra (GFCI)

10.1 Pruebe el GFCI, .

ADVERTENCIA

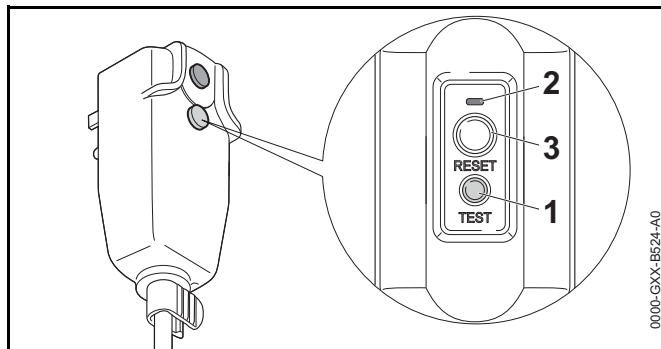
Para reducir el riesgo de electrocución, siempre pruebe el GFCI cuando se enchufa la máquina y antes de empezar los trabajos.

La hidrolavadora está dotada de un mecanismo de protección eléctrica. El interruptor de pérdidas a tierra (GFCI) es un dispositivo de seguridad importante previsto para proteger al operador y a otros contra el riesgo de las descargas eléctricas y la electrocución. Está diseñado para desconectar un circuito de modo rápido y automático si se detecta que la corriente eléctrica está desequilibrada.

El GFCI no ofrece protección contra corrientes inesperadamente o peligrosamente altas. Por lo tanto no sustituye a un fusible, ni tampoco protege contra sobrecalentamiento o riesgo de incendios debido a una sobrecorriente (sobrecarga) o cortocircuitos si la falla no produce pérdidas de corriente.

Para probar el GFCI: .

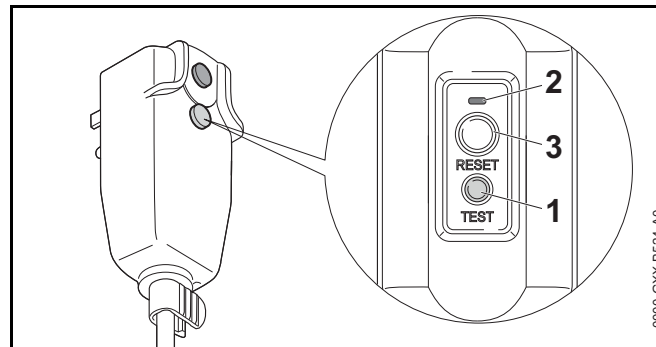
- ▶ Conecte el cordón de alimentación a un tomacorriente de pared debidamente instalado que coincida con la tensión y frecuencia eléctricas que se indican en la placa de características de la hidrolavadora. Una placa indicadora roja dentro de la ventanilla (2) se hace visible.



- ▶ Oprima el botón de PRUEBA (1). La placa indicadora roja dentro de la ventanilla (2) ya no deberá estar visible.
- ▶ Si la placa indicadora permanece visible después de haber oprimido el botón de PRUEBA, el GFCI no está funcionando. Desconecte la hidrolavadora de la fuente de alimentación y solicite a un concesionario autorizado de STIHL que la inspeccione antes de volverla a usar.
- ▶ Antes de empezar a trabajar, siempre reponga el GFCI de la manera descrita en el capítulo 10.2.

10.2 Reposición del GFCI

Para reponer el GFCI:



- ▶ Si se ha pulsado el botón de PRUEBA y se ha interrumpido la corriente y la placa roja dentro de la ventanilla (2) ya no está visible, oprima el botón de REPOSICIÓN (3). La placa indicadora deberá quedar visible nuevamente.
- ▶ Si la placa indicadora no está visible después de haber oprimido el botón de PRUEBA, el GFCI no está funcionando. Desconecte la hidrolavadora de la fuente de alimentación y solicite a un concesionario autorizado de STIHL que la inspeccione antes de volverla a usar.

11 Encendido y apagado de la hidrolavadora

11.1 Encendido

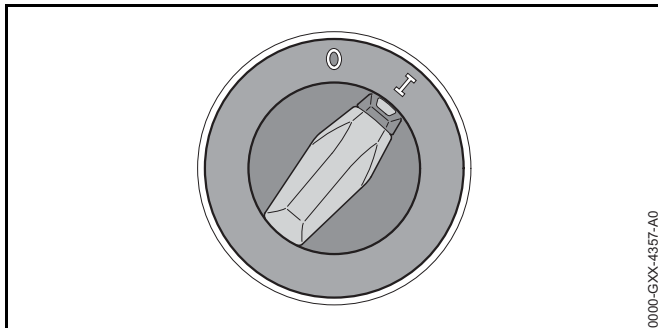
⚠ ADVERTENCIA

Nunca use la hidrolavadora si presenta daños, está mal ajustada o tiene mantenimiento deficiente, no ha sido armada de modo completo y seguro o no funciona debidamente, 5.5. Para reducir el riesgo de lesiones personales, use siempre ropa adecuada y vestimenta protectora, incluyendo gafas protectoras adecuadas cuando utilice la hidrolavadora, 5.4.

Antes de encender la máquina:

- ▶ Asegúrese de tener los pies bien apoyados.
- ▶ Párese derecho.
- ▶ Siempre sujete y maneje la hidrolavadora firmemente con una mano firmemente en la pistola rociadora y la otra mano en la lanza rociadora. Siempre sujete la hidrolavadora con las dos manos de esta manera.

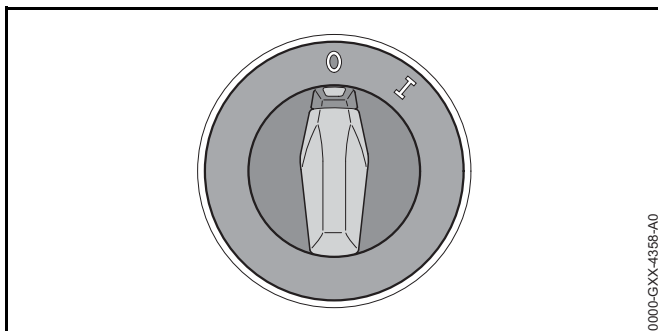
Para encender la hidrolavadora:



- ▶ Coloque el interruptor en la posición |.

11.2 Apagado

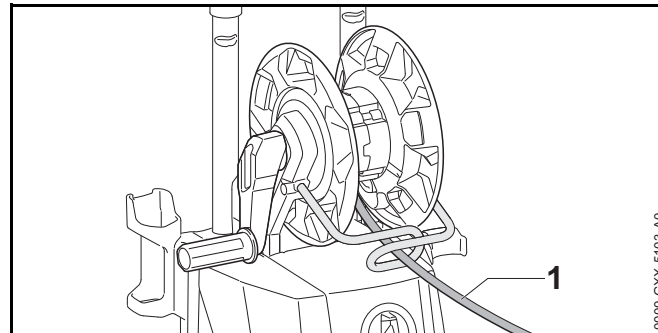
Para apagar la hidrolavadora:



- ▶ Coloque el interruptor en la posición 0.

12 Durante el funcionamiento

12.1 Desenrollado de la manguera de presión alta



- ▶ Desenrolle la manguera de presión alta (1) completamente.

INDICACIÓN

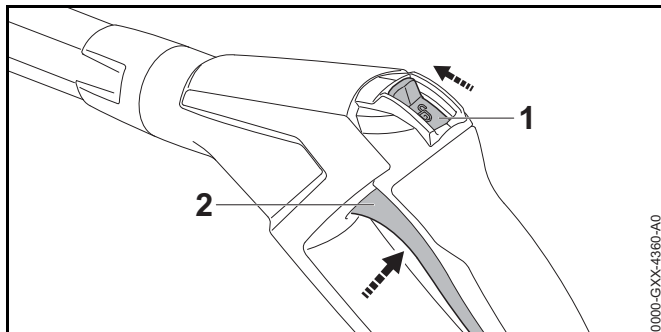
Quite la manguera de presión alta de su carrete antes de pulverizar. Si la manguera no se desenrolla completamente del carrete, podría dañarse debido a la presión alta.

12.2 Activación y bloqueo del gatillo de la pistola rociadora

La hidrolavadora está diseñada para usarse con las dos manos.

Activación del gatillo de la pistola rociadora

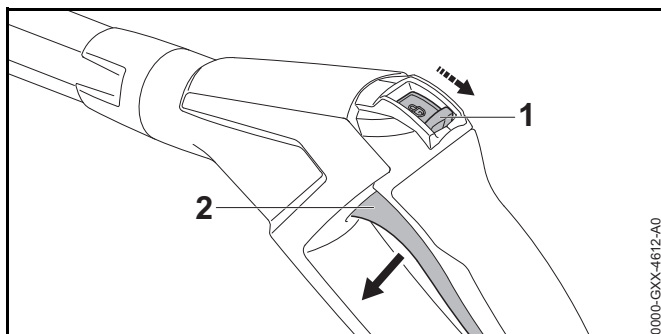
Para oprimir el gatillo de la pistola rociadora:



- ▶ Deslice el retenedor (1) a la posición ☞.
- ▶ Mantenga oprimido el gatillo (2) de la pistola rociadora. La bomba de presión alta arranca automáticamente y sale agua por la boquilla.

Bloqueo del gatillo de la pistola rociadora

Para bloquear el gatillo de la pistola rociadora:



- ▶ Suelte el gatillo (2) de la pistola rociadora. La bomba de presión alta se apaga repetidamente cuando se suelta el gatillo de la pistola rociadora. El agua deja de salir por la boquilla, pero la hidrolavadora continúa encendida.
- ▶ Deslice el retenedor (1) a la posición ☞ para bloquear el gatillo de la pistola rociadora.

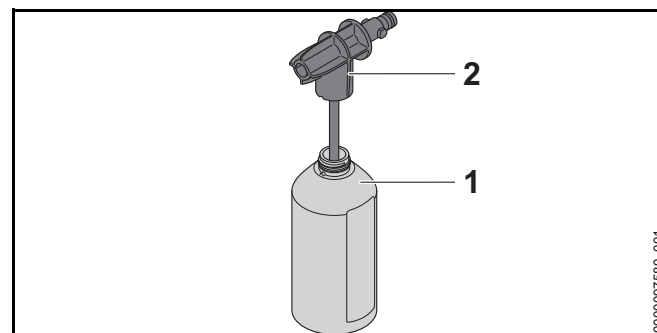
12.3 Adición de detergentes

⚠ ADVERTENCIA

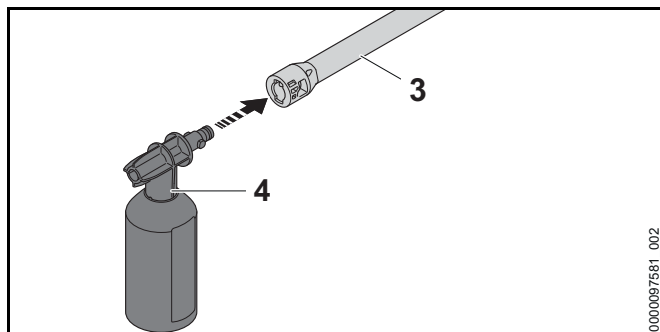
El uso de detergentes o de agentes limpiadores no adecuados puede dañar la hidrolavadora o la superficie que se está limpiando y pudiera causarle lesiones personales. Lea y respete los avisos e instrucciones provistos por el fabricante del detergente en relación con la preparación, dilución, uso y desecho apropiados.

Los detergentes pueden mejorar la eficacia de la limpieza.

Utilice el juego de adición de detergente para trabajar con detergentes:



- ▶ Siempre lea y atégase a las instrucciones dadas por el fabricante del detergente antes de comenzar el trabajo.
- ▶ STIHL recomienda empapar las superficies con agua antes de aplicarles detergente.
- ▶ Llene la botella de detergente (1) con hasta 16,9 oz. (500 ml) de detergente.
- ▶ Enrosque la boquilla (2) en el frasco de detergente y apriétela firme con la mano.



- ▶ Conecte el juego para pulverizar detergente (4) a la lanza rociadora (3).
- ▶ Rocíe el detergente en la superficie que se desea limpiar.
- ▶ Cuando se aplica detergente, empiece por la parte inferior de la superficie y avance en sentido ascendente. No permita que el detergente se seque.

Después de aplicar el detergente:

- ▶ Apague la hidrolavadora, 11.2.
- ▶ Alivie la presión del sistema.
- ▶ Bloquee el gatillo de la pistola rociadora.
- ▶ Inserte el juego de pulverización de detergente.
- ▶ Vuelva a conectar la boquilla de chorro tipo abanico o la boquilla giratoria.
- ▶ Rocíe la superficie hasta que quede limpia y se hayan quitado todos los residuos de detergente.
- ▶ Cuando se enjuaga el detergente, empiece por la parte superior de la superficie y avance en sentido descendente.

12.4 Limpieza

ADVERTENCIA

Para reducir el riesgo de sufrir lesiones personales, nunca la hidrolavadora bajo la lluvia, 5.5. Siempre use ropa adecuada y trajes protectores, incluso protección adecuada para los ojos cuando utiliza la hidrolavadora, 5.4.

Asegúrese de que no haya ninguna otra persona en la zona de trabajo, 5.8.4. Trabaje con cuidado y mantenga un control adecuado de la hidrolavadora, 5.8.2.

ADVERTENCIA

Para reducir el riesgo de que se le inyecte fluido bajo la piel y/o lesiones graves, mantenga las manos, los pies y los demás miembros de su cuerpo alejados del chorro de agua y nunca dirija el chorro de presión alta hacia su persona u otras personas, ni siquiera para limpiar sus vestidos o zapatos, 5.8.4. No dirija el chorro a presión hacia animales.

Según el trabajo, se pueden utilizar las boquillas siguientes:

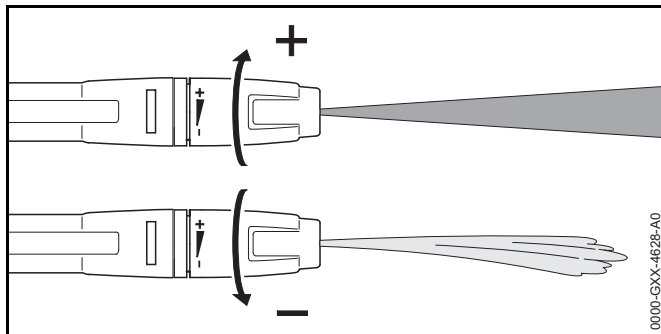
- Boquilla de chorro tipo abanico: La boquilla de chorro tipo abanico está diseñada para limpiar superficies grandes.
- Boquilla de chorro giratorio: La boquilla de chorro giratorio está diseñada para quitar suciedad bien pegada.
- ▶ Para eliminar la suciedad bien pegada, reduzca la distancia entre la boquilla y la superficie.
- ▶ Si desea quitar la suciedad de superficies pintadas, de madera o potencialmente sensibles a daños, aumente la distancia entre la boquilla y la superficie.

Para ajustar la boquilla de chorro tipo abanico:

ADVERTENCIA

Para reducir el riesgo de lesionarse con el chorro a presión alta, siempre apague la hidrolavadora y alivie la presión restante del sistema y bloquee el gatillo de la pistola antes de insertar, ajustar o quitar la boquilla.

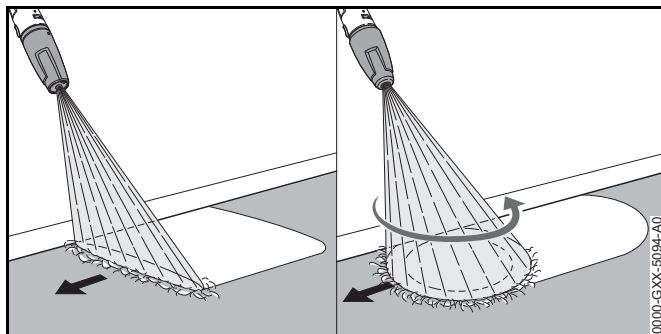
- ▶ Apague la hidrolavadora.
- ▶ Alivie la presión del sistema.
- ▶ Bloquee el gatillo de la pistola rociadora.



- ▶ Gire la boquilla de tipo abanico en sentido (+) para aumentar la presión de trabajo.
- ▶ Gire la boquilla de tipo abanico en sentido (-) para reducir la presión de trabajo.

Para limpiar:

- ▶ Antes de iniciar los trabajos, dirija el chorro de agua a una zona que no llame la atención de la superficie para comprobar que la misma no se dañe.
- ▶ Trabaje a una distancia que le permita limpiar la superficie con eficacia sin dañarla.
- ▶ Ajuste la boquilla de chorro tipo abanico y la distancia a la superficie que se limpiará para asegurar que el chorro no la dañe.



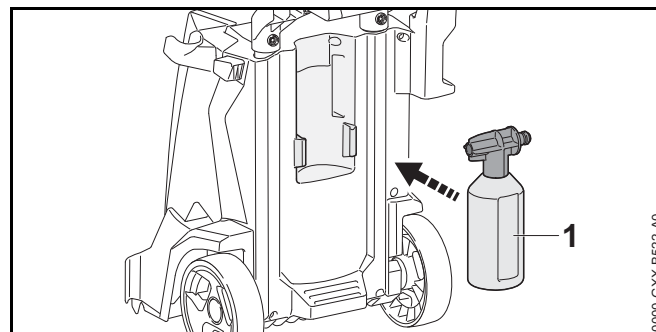
- ▶ Dirija el accesorio rociador hacia la superficie que se desea limpiar de manera uniforme.
- ▶ Avance lentamente y de manera controlada.

13 Después de completar el trabajo

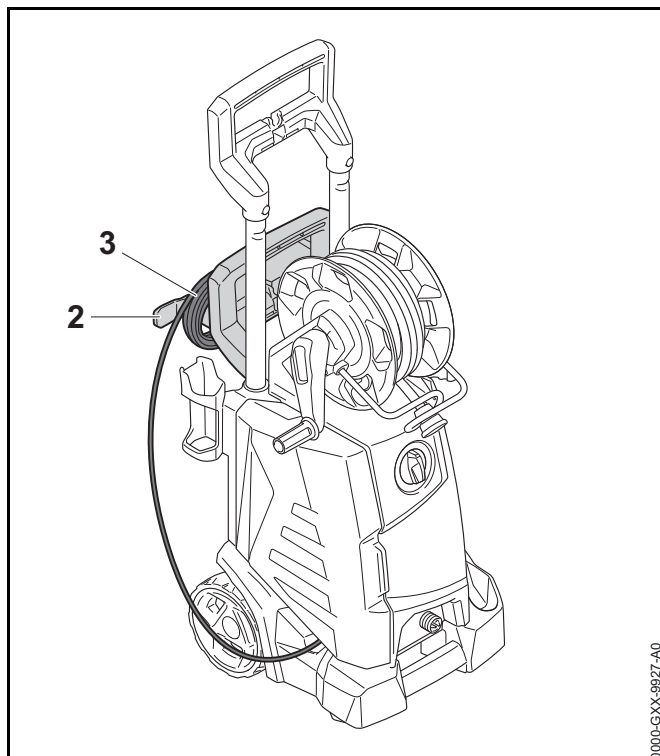
13.1 Preparación para el transporte o el almacenamiento

Para preparar la hidrolavadora para el transporte o el almacenamiento:

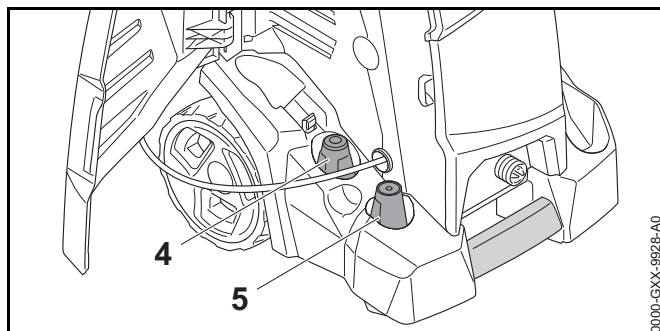
- ▶ Apague la hidrolavadora, 11.2.
- ▶ Desconecte la hidrolavadora de la fuente de alimentación.
- ▶ Desconecte la hidrolavadora del suministro de agua.
- ▶ Oprima el gatillo de la pistola rociadora para aliviar la presión restante del sistema.
- ▶ Bloquee el gatillo de la pistola rociadora.
- ▶ Desconecte la manguera de agua.
- ▶ Retire y limpie la boquilla y la lanza rociadora.
- ▶ Retire la pistola rociadora y permita que se escurra toda el agua de la misma.
- ▶ Si la hidrolavadora quedará expuesta a temperaturas heladas, protéjala con anticongelante o tome otras medidas, según se describe a continuación, 13.2.
- ▶ Limpie la hidrolavadora.



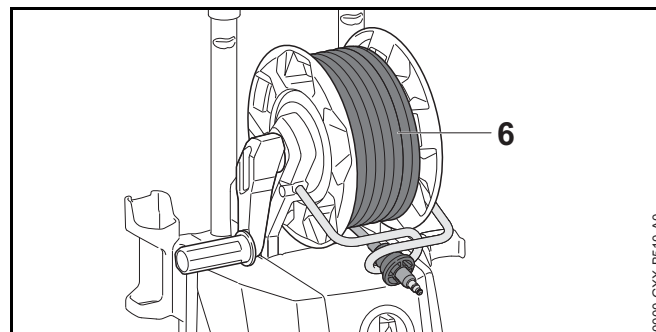
- ▶ Inserte el juego de pulverización de detergente (1).



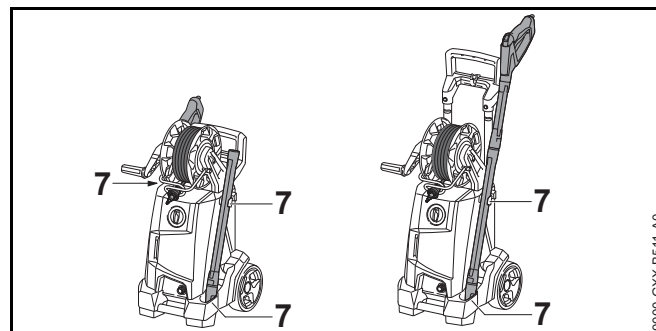
- ▶ Enrolle el cordón eléctrico (3) y cuélguelo en los soportes (2).



- ▶ Inserte la boquilla de chorro tipo abanico (4) y la boquilla de chorro giratorio (5).



- ▶ Desenrolle la manguera de presión alta (6) de manera uniforme.



- ▶ Coloque el accesorio de pulverización en uno de los portadores (7).

13.2 Protección de la hidrolavadora en condiciones de invierno

Eliminación del agua del sistema

Para eliminar el agua que reste en el sistema:

- ▶ Apague la hidrolavadora, 11.2.
- ▶ Desconecte la hidrolavadora de la fuente de alimentación.
- ▶ Cierre el suministro de agua.
- ▶ Alivie la presión del sistema.
- ▶ Desconecte la manguera de agua, 9.1.

- ▶ Vacíe el agua de la manguera de alta presión y de la manguera de agua.
- ▶ Conecte el cordón de alimentación a un tomacorriente de pared debidamente instalado que coincida con la tensión y frecuencia eléctricas que se indican en la placa de características de la hidrolavadora.
- ▶ Encienda la hidrolavadora y permita que la bomba funcione por hasta 30 segundos hasta que cese el flujo del agua. El agua restante se eliminará del sistema.
- ▶ Apague la hidrolavadora y desconéctela de la fuente de alimentación.

INDICACIÓN

Las temperaturas heladas pueden dañar los componentes de la hidrolavadora. STIHL recomienda guardar la hidrolavadora bajo techo en un lugar seco, protegida de las temperaturas heladas. Alivie toda la presión del sistema y compruebe que se haya eliminado toda el agua del sistema de la bomba y de las mangueras antes de guardarla.

Protección de la hidrolavadora con anticongelante

ADVERTENCIA

Si se usa anticongelante para proteger la hidrolavadora en condiciones heladas, atégase a todas las advertencias e instrucciones dadas por el fabricante para reducir el riesgo de contaminar el entorno y de sufrir lesiones personales graves causadas por la ingestión.

Si la hidrolavadora quedará expuesta a temperaturas heladas, será necesario protegerla con un anticongelante a base de glicol. El anticongelante evita que el agua dentro de la hidrolavadora se congele y le cause daños.

Para proteger la hidrolavadora con anticongelante:

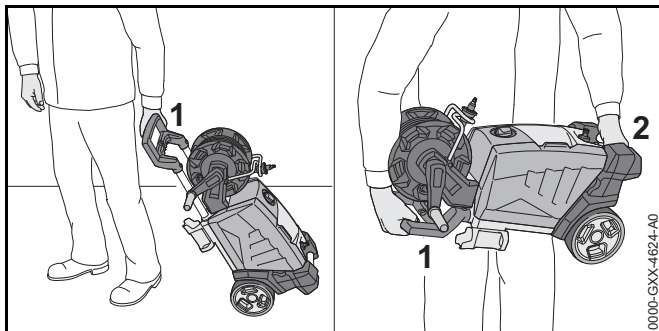
- ▶ Vacíe el agua de la manguera de alta presión.
- ▶ Desconecte la lanza rociadora de la pistola.
- ▶ Conecte la manguera de agua más corta posible a la hidrolavadora. Si la manguera es más corta, se necesitará menos anticongelante.
- ▶ Apunte la lanza rociadora hacia abajo y espere a que se haya escurrido toda el agua del sistema.

- ▶ Vierta el anticongelante en un recipiente limpio
- ▶ Conecte una manguera de aspiración al conducto de admisión de agua de la bomba de alta presión y coloque el otro extremo de la manguera en el recipiente con anticongelante.
- ▶ Mantenga oprimido el gatillo de la pistola rociadora.
- ▶ Encienda la hidrolavadora.
- ▶ Mantenga oprimido el gatillo de la pistola rociadora hasta que la misma entregue un chorro uniforme de anticongelante. Mantenga la pistola rociadora en el recipiente.
- ▶ Oprima y suelte el gatillo de la pistola rociadora varias veces.
- ▶ Apague la hidrolavadora y desconéctela de la fuente de alimentación.
- ▶ Desconecte la pistola rociadora, la manguera de alta presión y la manguera de agua para permitir que el anticongelante se escurra hacia el recipiente.
- ▶ Recoja todo el anticongelante y deseche el mismo según las especificaciones del fabricante y ateniéndose a las leyes, reglamentos y normas federales, estatales y locales.

14 Transporte

14.1 Transporte de la hidrolavadora

Para transportar la hidrolavadora:



- ▶ Tire de la hidrolavadora por la manija (1) con una mano, o acárreela por la barra de empuje (1) y la manija de transporte (2).
- ▶ Cuando se transporte la hidrolavadora en un vehículo, compruebe que se encuentre en posición vertical, apoyada sobre su parte dorsal y asegurada con tiras, correas o una red que le impida volcarse o moverse.

15 Almacenamiento

15.1 Almacenamiento de la hidrolavadora

! ADVERTENCIA

Guarde la hidrolavadora bajo techo, en un lugar seco, bajo llave, fuera del alcance de los niños y de otras personas no autorizadas, 5.5. Un procedimiento incorrecto de almacenamiento podría permitir el uso no autorizado de la hidrolavadora y causarle daños, 5.5.

Para guardar la hidrolavadora por tres meses o más:

- ▶ Limpie la hidrolavadora, 16.1.
- ▶ Guarde la hidrolavadora bajo techo, en un lugar seco y bajo llave, fuera del alcance de los niños y de otras personas no autorizadas.
- ▶ Si no es posible guardar la hidrolavadora en una sala protegida contra las temperaturas heladas, protéjala de la manera descrita anteriormente, 13.2.

INDICACIÓN

Las temperaturas heladas pueden dañar los componentes de la hidrolavadora. STIHL recomienda guardar la hidrolavadora bajo techo en un lugar seco, protegida de las temperaturas heladas. Alivie toda la presión del sistema y compruebe que se haya eliminado toda el agua del sistema de la bomba y de las mangueras antes de guardarla.

16 Limpieza

16.1 Limpieza de la hidrolavadora

! ADVERTENCIA

Antes de efectuar los trabajos de limpieza especificados en este capítulo tome ciertas medidas para reducir el riesgo de lesiones personales: como resultado de la activación accidental: apague la hidrolavadora y desconéctela de la fuente de alimentación. Alivie toda la presión del sistema por medio de oprimir el gatillo de la pistola rociadora y bloquéelo.

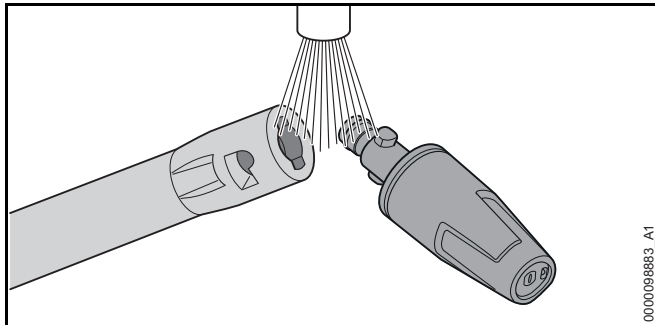
Para limpiar la hidrolavadora:

- ▶ Limpie los componentes de plástico, acoplamientos y conectores de la hidrolavadora con un paño levemente humedecido. No utilice productos abrasivos ni disolventes que pudieran dañar los componentes de plástico de la hidrolavadora.
- ▶ No utilice una hidrolavadora para limpiar la máquina ni la rocíe con agua u otros líquidos.

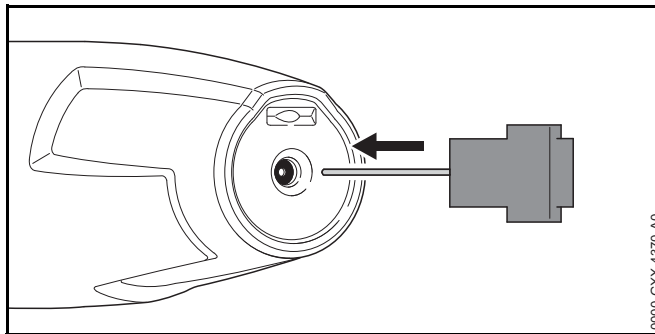
16.2 Limpieza de la boquilla y de la lanza rociadora

Una boquilla de alta presión que está obstruida puede hacer que se acumule demasiada presión en la bomba. Limpie la boquilla de alta presión si se obstruye.

Para limpiar la boquilla y la lanza rociadora:



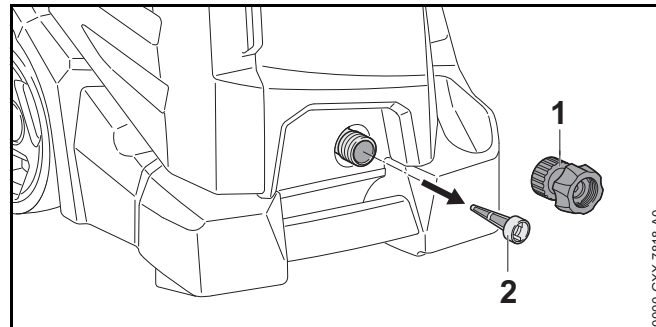
- ▶ Enjuague la boquilla y la lanza rociadora con agua corriente y séquelas con un paño.



- ▶ Si la boquilla está obstruida, utilice la aguja limpiadora para despejar la abertura.

16.3 Limpieza de la malla de admisión de agua





Para limpiar la malla de admisión de agua:



- ▶ Desenrosque el acoplamiento (1).
- ▶ Extraiga la malla de admisión de agua (2).
- ▶ Enjuague la malla de admisión de agua con agua tibia corriente.
- ▶ Reinserte la malla de admisión de agua:
- ▶ Enrosque el acoplamiento y apriételo con la mano.

17 Inspección y mantenimiento


17.1 Tabla de inspección y mantenimiento

Los siguientes intervalos de mantenimiento se brindan a modo de ejemplo y corresponden a condiciones normales de trabajo. El uso y la experiencia determinarán la frecuencia de inspección y mantenimiento requerida.		Antes de empezar a trabajar	Después de terminar de trabajar	Semanalmente	Capítulo correspondiente
Máquina completa	Inspección visual	X			
	Limpiar		X		 16.1
Conectores de la manguera de presión alta	Limpiar		X		
Acoplamiento de lanza rociadora y la pistola	Limpiar	X			 16.2
Malla de admisión de agua en la entrada de la bomba de presión	Limpiar			X	 16.3
Boquilla de presión alta	Limpiar		X		 16.2

- ▶ Engrase las empaquetaduras (1) con grasa apta para uso con alimentos.

17.2 Inspección y mantenimiento de la hidrolavadora

! ADVERTENCIA

Antes de efectuar los trabajos de mantenimiento que se indican en este capítulo  6, tome ciertas medidas para reducir el riesgo de lesiones personales: como resultado de la activación accidental: apague la hidrolavadora y desconéctela de la fuente de alimentación. Alivie toda la presión del sistema y bloquee el gatillo de la pistola rociadora.

El mantenimiento adecuado de la hidrolavadora incluye las siguientes actividades:

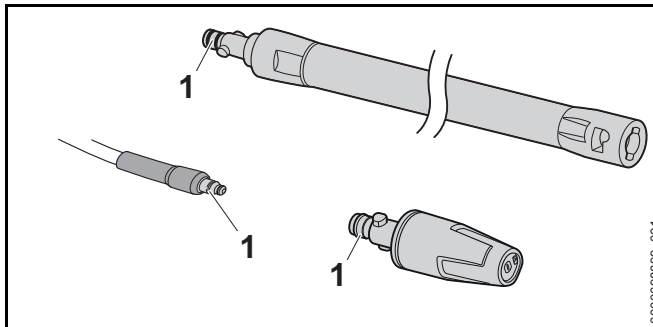
- ▶ Inspección periódica de las mangueras, acoplamientos, conectores y empaquetaduras y la sustitución de los componentes averiados.
- ▶ Si las etiquetas de seguridad están dañadas o faltan, solicite etiquetas de repuesto a un concesionario de servicio STIHL autorizado.

La bomba viene llena con aceite adecuado, el cual no requiere cambio ni mantenimiento.

Si usted está reclamando cobertura de garantía para algún componente que no ha sido reparado o mantenido debidamente, es posible que se deniegue la garantía.

17.3 Lubricación de las empaquetaduras





Para lubricar las empaquetaduras:







18 Guía de solución de problemas

18.1 Hidrolavadora

Antes de iniciar la localización de averías, apague la hidrolavadora y desconecte el enchufe del suministro de energía eléctrica. Alivie toda la presión del sistema por medio de oprimir el gatillo. Bloquee el gatillo de la pistola rociadora.

Condición	Causa posible	Solución
La hidrolavadora no arranca aunque se oprima el gatillo de la pistola rociadora.	El cable de suministro eléctrico no está conectado a un tomacorriente de pared.	<ul style="list-style-type: none"> ▶ Conecte el cable de suministro eléctrico a un tomacorriente debidamente instalado.
	El GFCI interrumpió el circuito eléctrico.	<ul style="list-style-type: none"> ▶ Reposicione el GFCI,  10.2 ▶ Apague otras cargas eléctricas que estén conectadas al mismo circuito. ▶ Si la hidrolavadora aún no arranca, desconéctela de la fuente de alimentación y solicite a un concesionario autorizado de STIHL que la inspeccione antes de volverla a usar.
	El motor eléctrico está muy caliente.	<ul style="list-style-type: none"> ▶ Permita que la hidrolavadora se enfríe a temperatura ambiente por aproximadamente 5 minutos. ▶ Limpie la boquilla,  16.2.
La hidrolavadora no arranca cuando se la enciende. El motor eléctrico emite un zumbido.	El voltaje de alimentación es muy bajo.	<ul style="list-style-type: none"> ▶ Mantenga el gatillo de la pistola oprimido y encienda la hidrolavadora. ▶ Apague otras cargas eléctricas que estén conectadas al mismo circuito.
La hidrolavadora se apaga mientras está en marcha.	El cable de suministro eléctrico no está conectado a un tomacorriente de pared.	<ul style="list-style-type: none"> ▶ Conecte el cable de suministro eléctrico a un tomacorriente debidamente instalado.
	El GFCI interrumpió el circuito eléctrico.	<ul style="list-style-type: none"> ▶ Reposicione el GFCI,  10.2 ▶ Si la hidrolavadora aún no arranca, desconéctela de la fuente de alimentación y solicite a un concesionario autorizado de STIHL que la inspeccione antes de volverla a usar.
	El motor eléctrico está muy caliente.	<ul style="list-style-type: none"> ▶ Permita que la hidrolavadora se enfríe a temperatura ambiente por aproximadamente 5 minutos. ▶ Limpie la boquilla,  16.2.

Antes de iniciar la localización de averías, apague la hidrolavadora y desconecte el enchufe del suministro de energía eléctrica. Alivie toda la presión del sistema por medio de oprimir el gatillo. Bloquee el gatillo de la pistola rociadora.

Condición	Causa posible	Solución
La bomba de alta presión se enciende y se apaga repetidamente sin haber oprimido el gatillo de la pistola rociadora.	Hay una fuga en la bomba de alta presión, en la manguera o en el accesorio pulverizador.	► Solicite a un concesionario de servicio STIHL autorizado que revise y repare la hidrolavadora.
La presión de agua fluctúa o se reduce.	No hay suficiente agua.	► Abra el suministro de agua por completo. ► Compruebe que se tenga una cantidad suficiente de agua disponible.
	La boquilla está obstruida.	► Limpie la boquilla,  16.2.
	La malla de admisión de agua está obstruida.	► Limpie la malla de admisión de agua,  16.3.
	La bomba de alta presión, la manguera o el accesorio pulverizador presenta fugas.	► Solicite al concesionario de STIHL que revise la hidrolavadora.
La forma del chorro de agua ha cambiado.	La boquilla está obstruida.	► Limpie la boquilla,  16.2.
	La boquilla está desgastada.	► Inserte una boquilla nueva.
No se está aspirando detergente.	El recipiente de detergente está vacío.	► Llene el recipiente con detergente.
	La boquilla del juego de pulverización de detergente está obstruida.	► Limpie la boquilla del juego de pulverización de detergente.
Las conexiones de la hidrolavadora, la manguera de alta presión, la pistola rociadora o la lanza rociadora están rígidas.	No se han engrasado las empaquetaduras de estas conexiones.	► Engrase las empaquetaduras.  17.3

19 Especificaciones

19.1 STIHL RE 110 PLUS

Para uso doméstico.

- Peso con el accesorio pulverizador y la manguera de alta presión: aproximadamente 42 lbs (19 kg)

Sistema eléctrico

- Fusible (de característica "C" o "D" según UL 489): 15 A
- Voltaje de alimentación: 120 V
- Frecuencia: 60 Hz
- Corriente nominal: 12,5 A
- Clasificación: Clase I (protección a tierra)

Bomba de presión alta

- Presión nominal: 2000 psi (13,8 MPa / 138 bar)
- Presión máxima: 2530 psi (17,5 MPa / 175 bar)
- Caudal de agua mínimo: 1,2 gpm (4,5 l/min)
- Caudal máximo de agua: 1,5 gpm (5,6 l/min)
- Altura máxima de aspiración desde un depósito: 1,6 ft. (0,5 m)
- Temperatura máxima del agua en modo de presión: 104 °F (40 °C)

Suministro de agua

- Largo máximo de manguera de agua: 30 ft. (10 m)
- Presión mínima: 14,5 psi (0,1 MPa / 1 bar)
- Presión máxima de entrada de agua: 145 psi (1 MPa / 10 bar)
- Temperatura máxima del agua: 104 °F (40 °C)

Los datos dependientes de la presión se midieron a una presión de entrada de 0,3 MPa (44 psi).

19.2 Símbolos en la hidrolavadora

Símbolo	Explicación
A	Amperio
V	Voltio
Hz	Hercio
kW	Kilovatio
t	Temperatura del suministro de agua
p	Presión
Q	Caudal de agua
m	Peso



Gatillo de la pistola rociadora bloqueado.



Gatillo de la pistola rociadora desbloqueado.



Vacíe el juego de rociado de detergente, o asegure la máquina a fin de que no se vuelque ni se mueva.



Marca de certificación/listado de Intertek




Los productos STIHL no se deben desechar junto con la basura del hogar, sino en conformidad con las leyes y normas locales, estatales y federales provistas en este manual, 21.

19.3 Mejoramientos técnicos

STIHL tiene la filosofía de mejorar continuamente todos sus productos. Como resultado de ello, periódicamente se introducen cambios de diseño y mejoras. Por lo tanto, es posible que algunos cambios, modificaciones y mejoras no se describan en este manual. Si las características de funcionamiento o la apariencia de su máquina difieren de las descritas en este manual, comuníquese con el concesionario STIHL para obtener la ayuda que requiera.

20 Piezas y equipos de repuesto

20.1 Piezas de repuesto originales de STIHL

STIHL recomienda el uso de piezas de repuesto originales de STIHL. Es posible identificar las piezas originales de STIHL por el número de pieza STIHL, el logotipo de **STIHL** y, en ciertos casos, el símbolo  de piezas STIHL. En las piezas pequeñas el símbolo puede aparecer solo.

21 Eliminación

Respete todas las leyes y normas federales, estatales y locales sobre eliminación de desechos.

Los productos STIHL no se deben desechar junto con la basura del hogar, sino de la manera en que se detalla en estas instrucciones. Lleve el producto, los accesorios y el embalaje a un vertedero autorizado para reciclarlos y contribuir con el cuidado del medio ambiente.

Comuníquese con un concesionario de servicio STIHL para obtener la información más actualizada acerca de la eliminación de desechos.

22 Garantía limitada

22.1 Política de garantía limitada de STIHL Incorporated

Este producto se vende sujeto a la Política de garantía limitada de STIHL Incorporated, disponible en www.stihlusa.com/warranty.html. También puede obtenerlo de un concesionario de servicio STIHL autorizado o llamando al 1-800-GO-STIHL (1-800-467-8445).

23 Marcas comerciales

23.1 Marcas comerciales registradas

STIHL®

STIHL®

®

La combinación de colores anaranjado-gris (Registros en EE. UU. #2,821,860; #3,010,057, #3,010,058, #3,400,477; y #3,400,476)

AutoCut®

YARD BOSS®

STIHL ROLLOMATIC®

WOOD BOSS®



FARM BOSS®

iCademy®

MAGNUM®

MasterWrench Service®

MotoMix®

OILOMATIC®

ROCK BOSS®

STIHL Cutquik®

STIHL DUROMATIC®

STIHL Quickstop®



STIHL WOOD BOSS®

TIMBERSPORTS®



23.2 Marcas comerciales por ley común

4-MIX™	HT Plus™
BioPlus™	STIHL PowerSweep™
Easy2Start™	STIHL Protech™
EasySpool™	STIHL MiniBoss™
ElastoStart™	STIHL MotoPlus 4™
Ematic™	Master Control Lever™
STIHL Precision Series™	STIHL OUTFITTERS™
FixCut™	STIHL PICCO™
Micro™	TrimCut™
Pro Mark™	STIHL M-Tronic™
Quad Power™	STIHL HomeScaper Series™
Quiet Line™	STIHL PolyCut™
STIHL Arctic™	STIHL RAPID™
STIHL Compact™	STIHL SuperCut™

STIHL Interchangeable Attachment Series™	STIHL Multi-Cut HomeScaper Series™
TapAction™	STIHL Territory™
	

Esta lista de marcas comerciales está sujeta a cambios.

Queda terminantemente prohibido todo uso de estas marcas comerciales sin el consentimiento expreso por escrito de ANDREAS STIHL AG & Co. KG, Waiblingen.

24 Direcciones

24.1 STIHL Incorporated

STIHL Incorporated
 536 Viking Drive
 P.O. Box 2015
 Virginia Beach, VA
 23452-2015

⚠ WARNING

Use of this pressure washer can generate dust or mist containing chemicals known to the State of California to cause cancer, birth defects or other reproductive harm.

⚠ ADVERTENCIA

El uso de esta hidrolavadora puede generar polvo o niebla que contiene productos químicos considerados por el Estado de California como causantes de cáncer, defectos de nacimiento u otra toxicidad reproductora.

⚠ WARNING

This pressure washer contains chemicals known to the State of California to cause cancer, birth defects or other reproductive harm.

⚠ ADVERTENCIA

Esta hidrolavadora contiene productos químicos considerados por el Estado de California como causantes de cáncer, defectos de nacimiento u otra toxicidad reproductora.

0458-834-8621-A

englisch / spanisch USA



www.stihl.com



0458-834-8621-A