

STIHL

STIHL RG-KM

Instruction Manual
Manual de instrucciones



! WARNING

Read Instruction Manual thoroughly before use and follow all safety precautions – improper use can cause serious or fatal injury.

! ADVERTENCIA

Antes de usar la máquina lea y siga todas las precauciones de seguridad dadas en el manual de instrucciones – el uso incorrecto puede causar lesiones graves o mortales.



Instruction Manual

1 - 21

Manual de instrucciones

22 - 46

Contents


1	Introduction	2	14	Transporting	14
2	KombiSystem	2	14.1	Transporting the KombiTool	14
3	Guide to Using this Manual	3	15	Storing	15
3.1	Signal Words	3	15.1	Storing the KombiTool	15
3.2	Symbols in Text	3	16	Cleaning	15
4	Main Parts	3	16.1	Cleaning the KombiTool	15
4.1	KombiTool	3	16.2	Cleaning the Blades	15
5	Safety Symbols on the Product	4	17	Inspection and Maintenance	17
5.1	KombiTool	4	17.1	Inspection and Maintenance Chart	17
6	IMPORTANT SAFETY INSTRUCTIONS	4	17.2	Inspecting and Maintaining the KombiTool	17
6.1	Intended Use	4	17.3	Lubricating the Gearbox	17
6.2	Operator	5	17.4	Removing and Mounting the Blades	18
6.3	Personal Protective Equipment	5	17.5	Repositioning the Blades	19
6.4	KombiTool	6	17.6	Sharpening the Blades	19
6.5	Using the Power Tool	6	18	Specifications	20
7	Maintenance, Repair and Storage	11	18.1	STIHL RG-KM	20
7.1	Warnings and Instructions	11	18.2	Blades	20
8	Before Starting Work	11	18.3	Symbols on the KombiTool	20
8.1	Preparing the KombiTool for Operation	11	18.4	Engineering Improvements	20
9	Assembling the Power Tool	12	19	Approved KombiEngines/KombiMotors	20
9.1	Mounting and Adjusting the Loop Handle and Barrier Bar	12	19.1	STIHL RG-KM	20
9.2	Connecting the Drive Tube to the Gearbox	12	20	Replacement Parts and Equipment	20
9.3	Mounting and Removing the KombiTool	12	20.1	Genuine STIHL Replacement Parts	20
10	Using a Harness	13	21	Disposal	20
10.1	Putting on and Adjusting the Single Harness	13	21.1	Disposal of the Power Tool	20
11	Checking the KombiTool	13	22	Limited Warranty	21
11.1	Checking the Blades	13	22.1	STIHL Incorporated Limited Warranty Policy	21
12	During Operation	14	23	Trademarks	21
12.1	Using the KombiTool	14	23.1	Registered Trademarks	21
13	After Finishing Work	14	23.2	Common Law Trademarks	21
13.1	Preparing for Transportation or Storage	14	24	Addresses	21
			24.1	STIHL Incorporated	21

STIHL

This instruction manual is protected by copyright. All rights reserved, especially the rights to reproduce, translate and process with electronic systems.

1 Introduction

Thank you for your purchase. The information contained in this manual will help you receive maximum performance and satisfaction from your KombiTool and, if followed, reduce the risk of injury from its use.

In the STIHL KombiSystem, this KombiTool can be combined with a STIHL KombiEngine (gas-powered) or a STIHL KombiMotor (battery-powered),  19.

In this instruction manual, "power tool" is used to designate the tool formed by the combination of a STIHL KombiEngine/KombiMotor and this STIHL KombiTool. STIHL KombiEngines/KombiMotors are sold separately.

Always read and follow the safety precautions and warnings found in this manual and the manual for the KombiEngine/KombiMotor. They must be used together. Keep them in a safe place for future reference.

SAVE THIS MANUAL!



Because this KombiTool is part of a high-speed power tool, special safety precautions must be observed to reduce the risk of personal injury.



Read this instruction manual and the instruction manual for your KombiEngine/KombiMotor thoroughly before use and periodically thereafter. Follow all safety precautions. Careless or improper use can cause serious or fatal injury.

Have your authorized STIHL servicing dealer show you how to operate your power tool.

Do not lend or rent the power tool without this instruction manual and the manual for the KombiEngine/KombiMotor. Allow only persons who fully understand the information in the instruction manuals to operate the power tool.

For further information, or if you do not understand any of the instructions in this manual or the manual for the KombiEngine/KombiMotor, please go to www.stihlusa.com or contact your authorized STIHL servicing dealer.

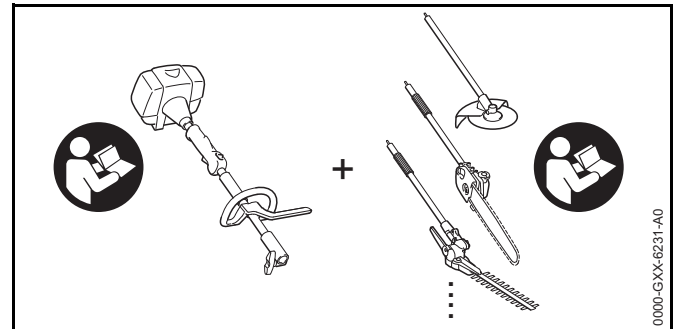
WARNING

Use your power tool only for the applications described in this instruction manual and the manual of the KombiEngine/KombiMotor you are using. Do not use it for other purposes, since misuse may result in personal injury or property damage, including damage to the machine.

WARNING

Always wear proper protective apparel and eye protection. Bystanders, especially children, and animals should not be allowed in the work area where the power tool is in use.

2 KombiSystem



In the STIHL KombiSystem, a KombiEngine (gas-powered) or KombiMotor (battery-powered) can be combined with an assortment of KombiTools to produce different power tools.

In this instruction manual, "power tool" is used to designate the tool formed by the combination of the KombiEngine/KombiMotor and the STIHL KombiTool.

The instruction manual for your KombiMotor may call for specific precautions to prevent unintended activation of the power tool. Switching off the KombiMotor and removing the connecting cord, for example, may be necessary to reduce the risk of unintended activation. See the manual for your KombiMotor for further information.

Always read and follow the safety precautions and warnings found in this manual and the manual for the KombiEngine/KombiMotor. Both manuals must be used together. Keep them in a safe place for future reference.

3 Guide to Using this Manual

3.1 Signal Words

This manual contains safety information that requires your special attention. Such information is introduced with the following symbols and signal words:

! DANGER

Indicates a hazardous situation that, if not avoided, will result in death or serious injury.

! WARNING


Indicates a hazardous situation that, if not avoided, could result in death or serious injury.

NOTICE

Indicates a risk of property damage, including damage to the machine or its individual components.

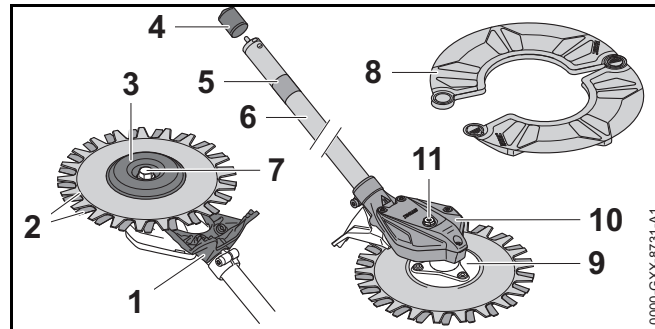
3.2 Symbols in Text

The following symbol is included to assist you with the use of the manual:

 Refers to a designated chapter or sub-chapter in this instruction manual.

4 Main Parts

4.1 KombiTool



1 Machine Support

For resting the KombiTool on the ground.

2 Blades

Metal blades for cutting and removing weeds, grass and similar vegetation.

3 Rider Plate

Covers the blade mount.

4 Protective Cap

Keeps dust and debris out of the drive tube when the KombiTool is not connected to the Kombi powerhead.

5 Marker

Defines the proper attachment depth when the KombiTool is inserted in the coupling sleeve of the KombiEngine/KombiMotor.

6 Drive Tube

Connects the KombiTool to the KombiEngine/KombiMotor.

7 Screw

Secures the rider plate to the KombiTool.

8 Transport Guard

Designed to reduce the risk of injury from contact with the blades while transporting the unit.

9 Blade Mount

Serves to secure the blades.

10 Gearbox

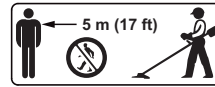
Covers the transmission system.

11 Screw Plug

Seals the grease filler opening at the gearbox.



To reduce the risk of cut injuries, keep hands, feet and other body parts away from the blades, 6.5.4.



To reduce the risk of personal injury from thrown objects, keep bystanders at least 17 ft. (5 m) away, 6.5.4.



The gearbox becomes hot during operation. To reduce the risk of burn injury, avoid contacting the gearbox while it is still hot following operation, 7.

5 Safety Symbols on the Product

5.1 KombiTool

The following safety symbols are found on the KombiTool:



To reduce the risk of injury, follow the specified safety precautions.



Read and follow all safety precautions in the instruction manual. Improper use can lead to serious or fatal personal injury or property damage.



To reduce the risk of eye injury, always wear proper eye protection. Power tool noise may damage your hearing. Always wear proper sound barriers (ear plugs or ear muffs) to protect your hearing, 6.3.



Wear sturdy boots with non-slip soles. Wear steel-toed safety boots, 6.3.



Always wear non-slip, heavy-duty work gloves (e.g. made of leather or other wear resistant material) when handling the machine or metal cutting attachments, 6.3.

6 IMPORTANT SAFETY INSTRUCTIONS

6.1 Intended Use**⚠ WARNING**

- The RG-KM is used in combination with a STIHL KombiEngine/KombiMotor. It is designed for cutting and removing weeds, grass and similar material. Use of the KombiTool for operations different than intended could result in serious injury or death.
 - Use only an approved STIHL KombiEngine/KombiMotor, 19.
 - Use your RG-KM only as described in this instruction manual and the instruction manual for the STIHL KombiEngine/KombiMotor you are using. Use it only for authorized applications.
 - Cut and remove weeds, grass and similar material only. Do not use the KombiTool for cutting brush, shrubs, bushes or other types of heavy vegetation.
- Improper use could result in personal injury or property damage, including damage to the power tool.
 - Use the power tool only as described in this manual.
 - Never attempt to modify or override the power tool's controls or safety devices in any way.

- Never use a power tool that has been modified or altered from its original design.

6.2 Operator

WARNING

- Working with the power tool can be strenuous. The operator must be in good physical condition and mental health. To reduce the risk of personal injury from fatigue and loss of control:
 - Check with your doctor before using the power tool if you have any health condition that may be aggravated by strenuous work.
 - Do not operate the power tool while under the influence of any substance (drug, alcohol or medication, etc.) that might impair vision, balance, dexterity or judgment.
 - Be alert. Do not operate the power tool when you are tired. Take a break if you become tired.
 - Do not permit minors to use the power tool.

6.3 Personal Protective Equipment

WARNING

- Loss of control and severe cut injuries may result if hair, clothing or apparel make contact with the moving blades or otherwise become entangled in the components of the power tool. To reduce the risk of severe personal injury:



- Wear sturdy and snug-fitting clothing that also allows complete freedom of movement.
- Wear overalls or long pants made of heavy material to help protect your legs. Do not wear shorts.
- Avoid loose-fitting jackets, scarves, neckties, flared or cuffed pants, jewelry and any other apparel that could be caught on branches, brush or the moving cutting/working attachment.

- Secure hair above shoulder level before starting work.

- To reduce the risk of eye injury:



- Always wear goggles or close-fitting protective glasses with adequate side protection that are impact-rated and marked as complying with ANSI Z87 "+".

- Prolonged exposure to power tool noise may result in permanent hearing damage. To reduce the risk of hearing damage:



- Wear sound barriers (ear plugs or ear muffs).
- Regular operators should have their hearing checked periodically.
- Be particularly alert and cautious when using hearing protection. Your ability to hear shouts, alarms or other audible warnings is restricted.

- Good footing is very important. To help maintain a secure footing and reduce the risk of injury while working:



- Wear substantial footwear with non-slip soles. Do not wear sandals, flip-flops, open-toed or similar footwear. Wear steel-toed safety boots.

- To improve your grip and help protect your hands:




- Always wear heavy-duty, non-slip work gloves made of leather or another wear-resistant material when handling the power tool or its blades.

- Requirements for personal protective equipment depend on the specific KombiEngine/KombiMotor you are using.

- For further instructions on proper work clothing and personal protective equipment, read and follow the safety precautions in the instruction manual for your KombiEngine/KombiMotor before starting work.

6.4 KombiTool

⚠ WARNING

- To reduce the risk of serious laceration injuries:
 -  – Keep hands, feet and other parts of your body away from the KombiTool and its blades.
 - Never touch the moving blades with your hand or any other part of your body.
- To reduce the risk of personal injury to bystanders and unauthorized users:
 - Never leave the power tool unattended.
- Although certain unauthorized blades may fit your KombiTool, their use may be extremely dangerous.
 - Use only blades supplied or expressly approved by STIHL.
 - Never modify this KombiTool in any way.
 - Never use a KombiTool that has been modified or altered from its original design.
 - For a list of KombiEngines/KombiMotors authorized by STIHL for your unit, see Chapter 19 of this instruction manual or the STIHL "Cutting Attachments, Parts & Accessories" catalog, available from your dealer or www.stihlusa.com.
- If the power tool is dropped or subjected to similar heavy impacts:
 - Check that it is undamaged, in good condition and functioning properly before continuing work.
 - Check that the controls and safety devices are working properly.
 - Never work with a damaged or malfunctioning power tool. In case of doubt, have the power tool checked by your authorized STIHL servicing dealer.

- If the power tool is damaged, not working properly, has been left outdoors or dropped into water or other liquid, its components may no longer function properly and safety devices may be inoperative. To reduce the risk of personal injury and property damage:
 - Take the power tool to your authorized STIHL servicing dealer to be checked before further operation.
- Genuine STIHL replacement parts are specifically designed to match your power tool and meet safety and performance requirements. Use of parts that are not authorized or approved by STIHL may cause serious or fatal injury or property damage.
 - STIHL recommends that only identical replacement parts be used.

6.5 Using the Power Tool

6.5.1 Before Operation

⚠ WARNING

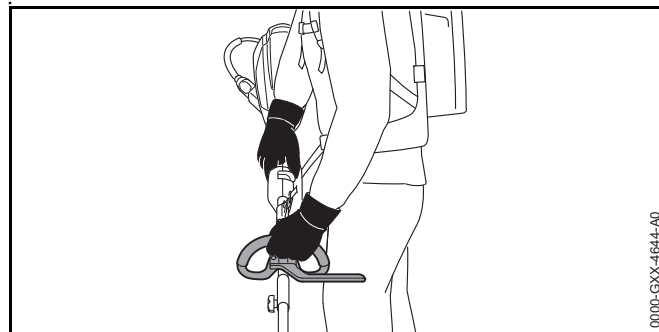
- Misuse or unauthorized use may result in personal injury and property damage.
 - Use the power tool only as described in this instruction manual and the instruction manual for your KombiEngine/KombiMotor.
- The KombiTool must be properly installed and tightened before starting work. Failure to use the proper parts to mount the KombiTool and its blades will increase the risk of personal injury to the operator and bystanders.
 - Read and follow the instructions on mounting the KombiTool and its blades in this instruction manual.
 - Never mount the blades to the KombiTool without the proper installation of all required parts (e.g., screws, rider plate, etc.).
 - Before starting work, inspect for loose parts (nuts, screws, etc.) and for cracked, bent, warped or damaged blades.
 - Replace damaged blades before using the power tool.

- Always keep the blades sharp.
- Using a KombiTool that is modified, damaged, improperly adjusted or maintained, or not completely and securely assembled can lead to a malfunction and increase the risk of serious personal injury or death.
 - Never operate a KombiTool that is modified, damaged, improperly maintained or not completely and securely assembled.
 - Always check your unit for proper condition and operation before starting work.
 - If your KombiTool or any part is damaged or does not function properly, take it to your authorized STIHL servicing dealer. Do not use the unit until the problem has been corrected.
- Before switching on or starting your power tool, take the following steps to reduce the risk of personal injury from thrown objects, loss of control or inadvertent contact with the blades:
 - Be sure that the KombiTool and its blades are clear of you and all other obstructions and objects, including the ground.
 - Read and follow the instructions for switching on/starting the power tool in the manual for the KombiEngine/KombiMotor being used.

6.5.2 Holding and Controlling the Power Tool

⚠ WARNING

- To maintain a firm grip and properly control your power tool:
 - Keep the handles clean and dry at all times. Keep them free of moisture, pitch, oil, grease and resin.
- Operating the power tool with one hand may lead to loss of control and is extremely dangerous. To reduce the risk of serious or fatal injury to the operator or bystanders from loss of control:
 - Never attempt to operate the power tool with one hand.



- To reduce the risk of serious or fatal injuries to the operator or bystanders from loss of control:
 - Always hold the power tool firmly with both hands when you are working.
 - Wrap your fingers tightly around the handles, keeping the handles cradled between your thumb and forefinger (see illustration of the KMA 130).
 - During operation, the operator's right hand must grip the rear handle and the operator's left hand must hold the front handle (see illustration of the KMA 130). This applies to all operators, even those who are left-handed.
 - Position the power tool so that all parts of your body are clear of the KombiTool and its blades.

- The operator must mount the loop handle and barrier bar as instructed in the manual for the KombiEngine/KombiMotor being used.
- The operator must use a harness.
- Working with the blades above ground level or perpendicular to the ground increases the risk of severe injury from thrown objects. It also exposes more of the blades and makes the unit more difficult to control, increasing the risk of injury. To reduce the risk of serious or fatal injury from loss of control or thrown objects:
 - Keep the blades at ground level, parallel to the ground.
- To reduce the risk of serious or fatal injuries from contact with the blades:



- Keep hands, feet and other body parts away from the blades.
- Never touch the moving blades with your hand or any other part of your body.
- Do not touch the blades while the KombiEngine is running or the KombiMotor is connected to a battery.
- To reduce the risk of serious or fatal cut injuries to the operator or bystanders from loss of control, keep proper footing and balance at all times:
 - Make sure you have good balance and a secure footing at all times.
 - Take special care in overgrown or wet terrain and always watch for hidden obstacles such as tree stumps, roots, rocks, holes and ditches to avoid stumbling or falling.
 - Be extremely cautious when working on slopes or uneven ground.
 - For better footing, always clear away fallen branches, scrub, cuttings and other material, objects or vegetation that can increase the danger of slipping, tripping or falling.
 - Never operate above waist height.
 - Do not overreach.

- The power tool should be balanced for proper control and less fatigue during operation.
 - Adjust the position of the loop handle and/or harness to achieve and maintain a comfortable and effective working position in accordance with the instructions found in the manual for the KombiEngine/KombiMotor being used.

6.5.3 Working Conditions

⚠ WARNING

- Operate your power tool only under good visibility during favorable daylight conditions.
 - Postpone the work if the weather is windy, foggy, rainy or inclement.
- Your power tool is a one-person machine.
 - Bystanders, especially children, and animals should not be allowed in the area where it is in use.
 - Switch it off immediately if you are approached.
- To reduce the risk of injury to bystanders and unauthorized users:
 - Shut off the KombiEngine or switch off the KombiMotor and remove the connecting cord before work breaks and any other time the power tool is not in use. Never leave the unit unattended.
- Sparks generated from operation of the power tool may be capable of igniting combustible gases, liquids, vapors, dusts or other combustible materials and substances. To reduce the risk of fire and explosion:
 - Never operate the power tool in a location where combustible gases, liquids, vapors, dusts or other combustible materials and substances are present.
 - Read and follow recommendations issued by government authorities (e.g., OSHA) for identifying and avoiding the hazards of combustible gases, liquids, vapors, dusts or other combustible materials and substances.

- If the moving blades strike a rock or other hard object, sparks may be created, which can ignite flammable materials under certain circumstances. Flammable materials can include dry vegetation and brush, particularly when weather conditions are hot and dry.
 - When there is a risk of fire or wildfire, do not use the KombiTool around flammable materials or around dry vegetation or brush.
 - Contact your local fire authorities or the U.S. Forest Service if you have any question about whether vegetation and weather conditions are suitable for the use of a metal blade.
 - STIHL does not recommend the use of the KombiTool when cutting in rocky areas or in areas with debris or other objects that could create sparks.
- Use of this power tool can generate dust and other substances containing chemicals known to cause respiratory problems, cancer, birth defects and other reproductive harm.
 - Consult governmental agencies such as EPA, OSHA, CARB and NIOSH and other authoritative sources on hazardous materials if you are unfamiliar with the risks associated with the particular substances you are cutting or with which you are working.
- Inhalation of certain dusts, especially organic dusts such as mold or pollen, can cause susceptible persons to have an allergic or asthmatic reaction. Substantial or repeated inhalation of dust or other airborne contaminants, especially those with a smaller particle size, may cause respiratory or other illnesses.
 - Control dust at the source where possible.
 - To the extent possible, operate the power tool so that the wind or operating process directs any dust, mist or other particulate matter raised by the power tool away from the operator.
 - When respirable dust or other particulate matter cannot be kept at or near background levels, always wear a respirator that is approved by NIOSH and rated for worksite-specific conditions. Follow the

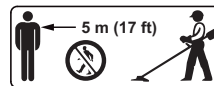
recommendations of governmental authorities (e.g., OSHA/NIOSH) and occupational and trade associations.


- If the vegetation being cut or the surrounding ground is coated with a chemical substance, such as a pesticide or herbicide:
 - Read and follow the instructions and warnings that accompanied the substance coating the vegetation or surrounding ground.

6.5.4 Operating Instructions

⚠ WARNING

- In the event of an emergency, shut off the KombiEngine or switch off the KombiMotor and remove the connecting cord immediately.
- The blades will continue to move for a short period after the power tool is switched off. To reduce the risk of serious personal injury from contact with the blades:
 - Wait for the blades to stop before walking with the unit or putting it down.
- The moving blades may fling foreign objects directly or by ricochet. Thrown objects, including broken blades, may cause serious or fatal injury to the operator or bystanders. To reduce the risk of severe personal injury:
 - Inspect the work area. Remove stones, glass, rocks, pieces of metal or other objects that could be thrown by the blades, damage the blades or cause personal injury or damage to property (e.g., parked vehicles, windows).
 - Always wear proper eye protection and keep bystanders at least 17 ft. (5 m) away from the work area. Any persons who must enter the restricted area must also wear proper eye protection.
 - To reduce the risk of damage to property, also maintain a distance of 10 ft. (3 m) from objects such as vehicles and windows.



- Maintaining the minimum distances cannot eliminate the potential risk of personal injury and property damage from thrown objects.
- Shut off the KombiEngine or switch off the KombiMotor and remove the connecting cord immediately if you are approached while working with the power tool.
- There is an increased risk of objects being thrown if cutting performance deteriorates or cuttings frequently become jammed. This can result in personal injury.
 - Sharpen the blades as described in this instruction manual.
- Use of non-approved KombiEngines/KombiMotors or blades could be extremely dangerous.
 - Use only the KombiEngines/KombiMotors and blades recommended in this manual. See Approved KombiEngines/KombiMotors,  19.
- To reduce the risk of serious or fatal cut injuries to the operator or bystanders from blade contact:



- Keep hands, feet and other body parts away from the blades.
- Do not touch the blades while the KombiEngine is running or the KombiMotor is connected to a battery.
- Never touch moving blades with your hand or any other part of your body.
- Shut off the KombiEngine or switch off the KombiMotor and remove the connecting cord before attempting to remove trimmings or jammed material.

- To reduce the risk of severe personal injuries from unintentional starting:
 - Never touch the KombiTool or its blades with your hands, feet or any other part of your body while the KombiEngine is running or the KombiMotor is connected to a battery.
 - Before inspecting, adjusting or cleaning a dirty, clogged or stuck KombiTool, always shut off the KombiEngine or switch off the KombiMotor and remove the connecting cord, and make sure the KombiTool and its blades have stopped.
- A damaged or loose KombiTool or blades may vibrate, crack, break or come off during operation, which may result in serious or fatal injury.
 - Make sure the KombiTool and its blades are sharp and properly tightened before starting work.
 - Check the tightness and condition of the KombiTool and its blades before starting work and any time cutting behavior changes during use. Wait for the KombiTool and its blades to stop before inspecting or cleaning the power tool.
 - Check the blades at regular short intervals during operation, or immediately if there is a change in cutting behavior.
 - If the blades loosen after being properly tightened, stop work immediately and have the unit inspected by your authorized STIHL servicing dealer.
- Cracked, damaged or worn out blades may shatter at high speeds and cause serious or fatal injury.
 - Replace cracked, bent, warped, damaged, dull or worn out blades immediately, even if damage appears to be limited to superficial cracks.
 - Never use a power tool with a loose or damaged KombiTool or blades.
- To reduce blade friction and the buildup of dirt, which can interfere with the proper functioning of the power tool:
 - STIHL recommends that you spray the blades with a resin solvent, such as STIHL Resin Remover and Lubricant, before starting work.

⚠ DANGER

- To reduce risk of electrocution:



- Never operate this power tool in the vicinity of any wires or cables that may be carrying electric current.
- Do not rely on the power tool's insulation against electric shock.

7 Maintenance, Repair and Storage

7.1 Warnings and Instructions

⚠ WARNING

- There are no user-authorized repairs for the KombiTool. To reduce the risk of fire, electric shock or other personal injury and property damage:
 - Users may carry out only the cleaning and maintenance operations described in this manual.
 - Strictly follow the cleaning and maintenance instructions in the appropriate sections of this instruction manual.
 - Never attempt to repair a damaged or broken KombiTool or blades. This may cause broken parts to come off and result in serious or fatal injuries.
 - Wear non-slip, heavy-duty work gloves when handling the blades.
 - STIHL recommends that all repair or replacement work be performed by authorized STIHL servicing dealers.
- To reduce the risk of personal injury and property damage from unintentional starting:
 - Shut off the KombiEngine or switch off the KombiMotor and remove the connecting cord before inspecting the power tool or carrying out any

cleaning, maintenance or repair work and before storing, and any other time the power tool is not in use.

- Use of parts that are not authorized or approved by STIHL may cause serious or fatal injury or property damage.
 - STIHL recommends that only identical STIHL replacement parts be used.
- To reduce the risk of serious or fatal injuries from loose or damaged blades:
 - Keep blades sharp.
 - Tighten all nuts, bolts and screws after each use.
 - Never repair damaged blades by welding, straightening or modifying the shape. Always replace damaged blades before use.
- The gearbox becomes hot during operation. To reduce the risk of burn injury:




- Allow the gearbox to cool before inspecting or lubricating and before changing the blades. Avoid contacting the gearbox while it is still hot following operation.
- Improper storage can result in unauthorized use, damage to the power tool and other personal injury or property damage.
 - Store the power tool indoors in a dry, secure place that cannot be accessed by children or other unauthorized users.
 - Attach the transport guard to the blades.

8 Before Starting Work

8.1 Preparing the KombiTool for Operation

Before starting work:

- ▶ Mount and adjust the loop handle and barrier bar at the KombiEngine/KombiMotor, 9.1
- ▶ Connect the drive tube to the gearbox, 9.2.

- ▶ Mount the KombiTool,  9.3.1.
- ▶ Check the blades for damage or other problems.
- ▶ Tighten all nuts, bolts and screws.

9 Assembling the Power Tool

9.1 Mounting and Adjusting the Loop Handle and Barrier Bar

WARNING

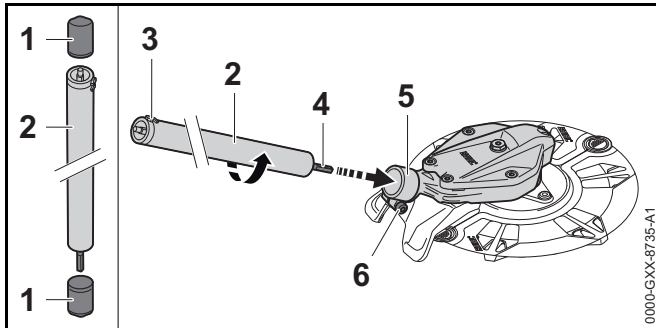
To reduce the risk of injury from loss of control, ensure that the loop handle and barrier bar are properly and securely mounted to the KombiEngine/KombiMotor you are using before starting work.

To mount the loop handle and barrier bar:

- ▶ Mount and adjust the loop handle and barrier bar as described in the manual of the KombiEngine/KombiMotor you are using.

9.2 Connecting the Drive Tube to the Gearbox

To connect the drive tube to the gearbox:



- ▶ Pull the protective caps (1) off both ends of the drive tube (2).
- ▶ Loosen the screw (6).

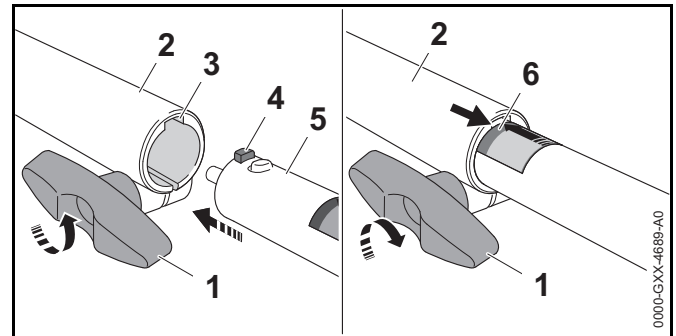
- ▶ Push the drive tube (2) into the gearbox (5) and rotate it until the gear shaft (4) engages.
- ▶ Tighten the screw moderately.
- ▶ Align the drive tube so that the lug (3) faces up.
- ▶ Tighten down the screw firmly.

The drive tube need not be removed again.

9.3 Mounting and Removing the KombiTool

9.3.1 Mounting the KombiTool

To mount the KombiTool:



- ▶ Loosen the wing screw (1) on the coupling sleeve (2).
- ▶ Line up the lug (4) on the KombiTool with the slot (3) on the coupling sleeve.
- ▶ Push the drive tube (5) into the coupling sleeve until the red line (6) is flush with the coupling sleeve.
- ▶ Tighten down the wing screw firmly.

9.3.2 Removing the KombiTool

To remove the KombiTool:

- ▶ Attach the transport guard to the blades.
- ▶ Loosen the wing screw.
- ▶ Pull the drive tube out of the coupling sleeve.

10 Using a Harness

10.1 Putting on and Adjusting the Single Harness

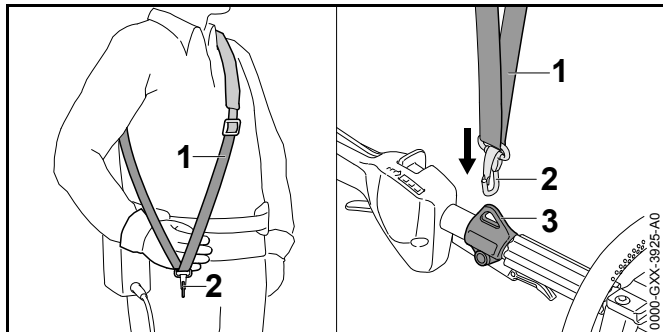
⚠ WARNING

To reduce the risk of injury from loss of control and contact with the blades, always wear a proper harness.

You must install the barrier bar, wear a proper harness and always grip the rear handle with your right hand and front handle with your left hand. That means you must place the single harness over your left shoulder when working with this KombiTool.

To fit and adjust the single harness:

- ▶ Shut off the KombiEngine or switch off the KombiMotor and remove the connecting cord.



- ▶ Adjust the length of the harness strap (1) so that the carabiner (2) is about a hand's width below the top of your hip.
- ▶ Attach the carabiner to the carrying ring (3) on the KombiEngine/KombiMotor.

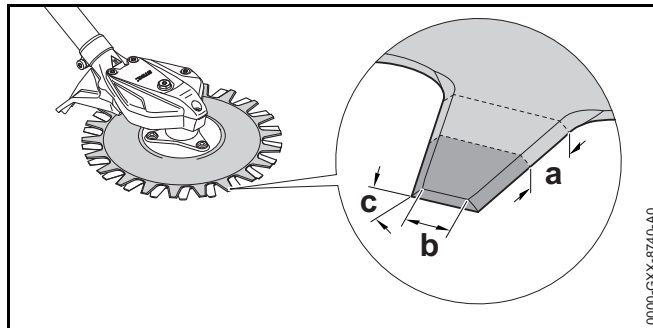
For battery powered KombiMotors there are also other types of battery harnesses available. They are described in the KombiMotor manual.

11 Checking the KombiTool

11.1 Checking the Blades

Before starting work, check the blades for damage and excessive wear, 18.2.

- ▶ Shut off the KombiEngine or switch off the KombiMotor and remove the connecting cord.





- ▶ Measure the following points on the blades:
 - Length a
 - Width b
 - Angle c
- ▶ If the minimum length (a) is less than 0.4 in. (10 mm): Reposition the blades, 17.5.
- ▶ If the minimum width (b) is less than 0.2 in. (5 mm): Replace the blades, 17.4.
- ▶ If the filing angle (c) is not 45°: Sharpen the blades, 17.6.
- ▶ If you have any questions: Contact a STIHL servicing dealer for assistance.




12 During Operation

12.1 Using the KombiTool

! WARNING

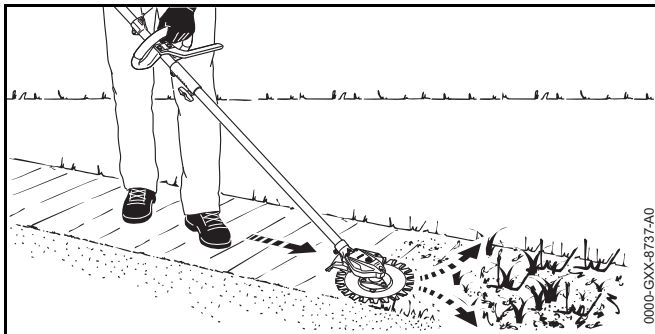
To reduce the risk of serious or fatal injuries to the operator or bystanders, keep hands, feet and other parts of the body away from the blades,  6.5.2. Do not touch the blades while the KombiEngine is running or the KombiMotor is connected to a battery. Never touch the moving blades with your hand or any part of your body,  6.5.4.

! WARNING

Always wear proper clothing and protective apparel, including proper eye protection, when operating your power tool,  6.3. Keep bystanders at least 17 ft. (5 m) away from the work area,  6.5.4. Work carefully and maintain proper control of the power tool,  6.5.2.

The power tool is designed for two-handed operation.

During operation, the operator's right hand must grip the rear handle and the operator's left hand must hold the front handle. This applies to all operators, even those who are left-handed.



- ▶ Keep the unit parallel to the ground and push the cutting blades forward carefully in a controlled manner, as depicted in the illustration, above.

- ▶ Move forward slowly, keeping two hands on the unit at all times.

Observe all applicable laws, regulations, standards and ordinances.

13 After Finishing Work

13.1 Preparing for Transportation or Storage

! WARNING

To reduce the risk of personal injury from unintended activation or unauthorized use, shut off the KombiEngine or switch off the KombiMotor and remove the connecting cord and ensure the KombiTool and its blades have stopped before transporting the power tool or putting it down.



To prepare the KombiTool for transportation or storage:

- ▶ Shut off the KombiEngine or switch off the KombiMotor and remove the connecting cord.
- ▶ Attach the transport guard to the blades.
- ▶ If the KombiTool became wet during operation, allow it to dry completely before storing.

14 Transporting

14.1 Transporting the KombiTool

! WARNING

To reduce the risk of injury from loss of control and contact with the blades, never carry or transport your power tool with the blades moving,  6.5.4. Ensure the blades have stopped before setting the power tool down,  6.5.4.

! WARNING

Attach the transport guard to help reduce the risk of cut injuries from inadvertent contact. Remove the transport guard before starting work.



When transporting the power tool:

- ▶ Always transport the power tool in accordance with the instructions found in this manual and the manual for the KombiEngine/KombiMotor being used.
- ▶ When transporting the KombiTool by hand, hold the drive tube so that the unit remains parallel to the ground. Keep the blades pointing backwards, opposite the direction in which you are walking.
- ▶ When transporting the KombiTool in a vehicle, secure and position it to prevent turnover, impact and damage.


15 Storing

15.1 Storing the KombiTool

WARNING

Store the KombiTool indoors in a dry, secure place that is inaccessible to children and other unauthorized users,  7. Improper storage can result in unauthorized use and damage to the KombiTool,  7.


When storing the KombiTool:

- ▶ Remove the KombiTool from the KombiEngine/KombiMotor.
- ▶ Clean and inspect the KombiTool and its blades,  16.
- ▶ Store the KombiTool indoors in a dry and secure location, out of the reach of children and other unauthorized persons.

16 Cleaning

16.1 Cleaning the KombiTool

WARNING

To reduce the risk of personal injury from unintended activation, remove the KombiTool before carrying out any cleaning work,  7. Users of this KombiTool should carry out only the cleaning described in this manual.

To clean the KombiTool:



- ▶ Clean polymer components with a slightly dampened cloth. Do not use detergents or solvents, which may damage the polymer components.
- ▶ Do not use a pressure washer to clean the unit or otherwise spray it with water or other liquids.

NOTICE

Never spray the KombiTool with water. Spraying it with a stream of water could result in damage.

16.2 Cleaning the Blades

WARNING

To reduce the risk of personal injury from unintended activation, shut off the KombiEngine or switch off the KombiMotor and remove the connecting cord before carrying out any cleaning work,  7. Users of this KombiTool should carry out only the cleaning described in this manual. To help prevent injuries, always wear heavy-duty work gloves when handling the KombiTool or its blades,  6.3.

To clean the blades:



- ▶ Spray both sides of the blades with a resin solvent, such as STIHL Resin Remover and Lubricant.
- ▶ Switch on the power tool for a few seconds to evenly distribute the resin solvent throughout the blades.

- ▶ Do not use a pressure washer to clean the blades or spray them with water or other liquids.

17 Inspection and Maintenance


17.1 Inspection and Maintenance Chart

Shut off the KombiEngine or switch off the KombiMotor and remove the connecting cord before carrying out any inspection, cleaning or maintenance.



The following maintenance intervals are examples and apply for normal operating conditions. Actual use and your experience will determine the frequency of required inspection and maintenance.		Before starting work	After finishing work or daily	Every 25 working hours	Relevant Chapter
KombiTool	Visual inspection	X	X		
	Clean		X		 16
Gearbox	Lubricating			X	 17.3
Blades	Visual inspection	X	X		

17.2 Inspecting and Maintaining the KombiTool

WARNING

To reduce the risk of personal injury from unintended activation, shut off the KombiEngine or switch off the KombiMotor and remove the connecting cord before inspecting the KombiTool or carrying out any maintenance,  7. Carry out only the maintenance operations described in this manual. There are no user-authorized repairs. STIHL recommends that repair work be performed by authorized STIHL servicing dealers.

To properly maintain the KombiTool:

- ▶ Lubricate the gearbox.
- ▶ Sharpen the blades.
- ▶ Reposition the blades if they are partially worn,  17.5. Replace the blades if they are completely worn,  17.4.
- ▶ Replace the blades if even one segment is excessively worn, broken or damaged.

- ▶ Have worn, missing or damaged safety labels replaced by an authorized STIHL servicing dealer.

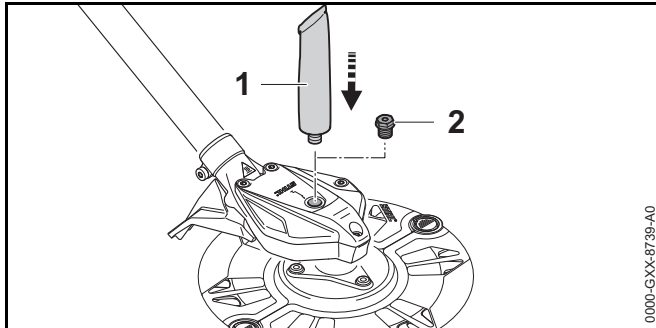
If you make a warranty claim for a component that has not been serviced or maintained properly, coverage may be denied.

17.3 Lubricating the Gearbox

WARNING

The gearbox becomes hot during operation. To reduce the risk of burn injury, avoid contacting the gearbox while it is still hot following operation. Wait for the gearbox to cool down before performing this operation.

To lubricate the gearbox:



- ▶ Remove the screw plug (2).
- ▶ If no grease can be seen on the inside of the screw plug, screw the tube (1) of STIHL gear lubricant into the filler hole.
- ▶ Squeeze no more than 0.2 oz (5 g) of STIHL gear lubricant into the gearbox.
- ▶ Remove the tube of STIHL gear lubricant.
- ▶ Insert the screw plug and tighten it down firmly.

NOTICE

Do not completely fill the gearbox with grease.

17.4 Removing and Mounting the Blades

17.4.1 Removing the Blades

⚠ WARNING

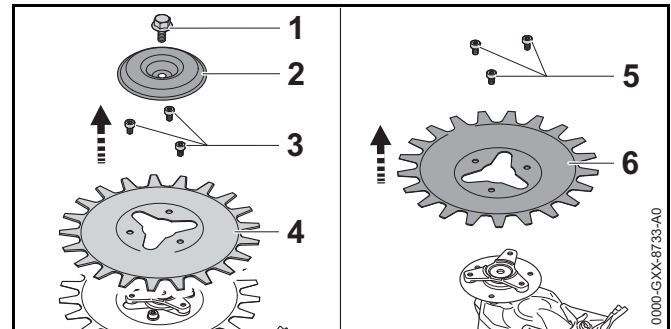
The blades have many sharp cutting edges. If they contact your flesh, they will cut you, even if the blades are not moving. Always wear heavy-duty work gloves when removing or otherwise handling the blades, 6.3.

⚠ WARNING

Blades that are damaged or loose may vibrate, crack, break or come off the unit, which may result in serious or fatal injury or property damage. Make sure the blades are properly tightened and in good condition before starting work, 6.5.4.

To remove the blades:

- ▶ Shut off the KombiEngine or switch off the KombiMotor and remove the connecting cord.

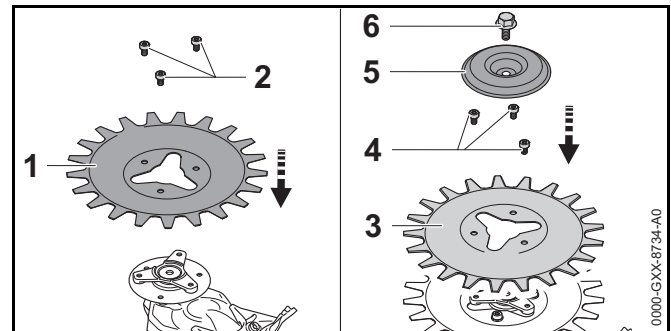


- ▶ Position the unit so that you are facing the underside of the blade mount.
- ▶ Remove the screw (1) by turning it clockwise.
- ▶ Remove the rider plate (2).
- ▶ Remove the screws (3) by turning them counterclockwise.
- ▶ Remove the bottom blade (4).
- ▶ Remove the screws (5) by turning them counterclockwise.
- ▶ Remove the top blade (6).

17.4.2 Mounting the Blades

To mount the blades:

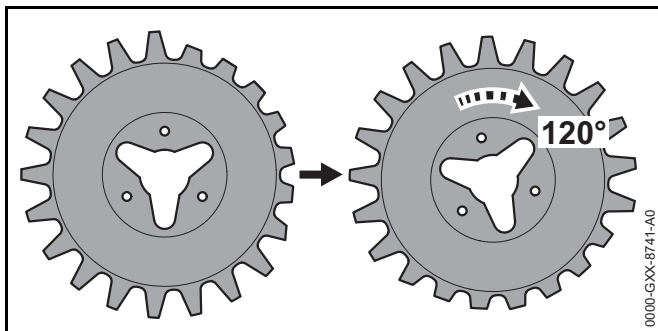
- ▶ Shut off the KombiEngine or switch off the KombiMotor and remove the connecting cord.



- ▶ Position the unit so that you are facing the underside of the blade mount.
- ▶ Place the top blade (1) directly on the blade mount.
- ▶ Insert the screws (2) and tighten them down firmly by turning them clockwise.
- ▶ Place the bottom blade (3) directly on top of the blade mount.
- ▶ Insert the screws (4) and tighten them down firmly by turning them clockwise.
- ▶ Place the rider plate (5) on top of the blades.
- ▶ Secure the screw (6) by turning it counterclockwise.

17.5 Repositioning the Blades

- ▶ Shut off the KombiEngine or switch off the KombiMotor and remove the connecting cord
- ▶ Remove the blades.



- ▶ Reposition and mount the cutting blades at a 120° offset.
- ▶ If the blades have already been repositioned twice: Replace the blades.

17.6 Sharpening the Blades

! WARNING

Never use dull or damaged blades. Working with dull blades leads to increased physical strain, increased vibration load, unsatisfactory cutting results and increased wear, which can result in loss of control and injury to the operator or bystanders. A damaged cutting attachment may vibrate,

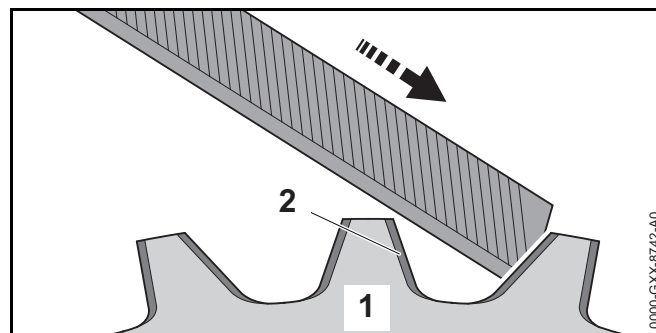
crack or break, which may result in serious or fatal injury or property damage. Make sure the cutting attachment is sharp and in good condition before starting work.

! WARNING

STIHL recommends having your blades sharpened by an authorized STIHL servicing dealer to reduce the risk of severe or fatal injury.

To sharpen the blades:

- ▶ Shut off the KombiEngine or switch off the KombiMotor and remove the connecting cord.
- ▶ Remove the blades.



- ▶ Use a flat file to sharpen dull blades (1). In case of more serious wear or nicks, resharpen with a grinder or have it sharpened by an authorized STIHL servicing dealer.
- ▶ Sharpen frequently and take away as little metal as necessary to create a sharp edge (2). Two or three strokes of the file are usually enough.
- ▶ Resharpen the teeth uniformly. Take care not to alter the contour of the blade body. Maintain the specified sharpening angle, 18.2.
- ▶ Mount the blades, 17.4.2.

18 Specifications

18.1 STIHL RG-KM

- Weight with cutting blades: 5.3 lbs. (2.4 kg)

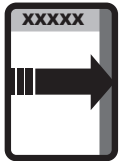
18.2 Blades

- Thickness: 0.1 in. (2.5 mm)
- Minimum width (tooth): 0.2 in. (5 mm)
- Minimum length (tooth): 0.4 in. (10 mm)
- Sharpening angle: 45°

18.3 Symbols on the KombiTool



Filler hole for gear lubricant.



Push the drive tube into the KombiEngine's/KombiMotor's coupling sleeve as far as marked.

18.4 Engineering Improvements

STIHL's philosophy is to continually improve all of its products. As a result, engineering changes and improvements are made from time to time. Therefore, some changes, modifications and improvements may not be covered in this manual. If the operating characteristics or the appearance of your machine differs from those described in this manual, please contact your STIHL dealer or the STIHL distributor in your area for assistance.

19 Approved KombiEngines/KombiMotors

19.1 STIHL RG-KM

The KombiTool is approved for use only with the following KombiEngines:

- STIHL KM 91 R
- STIHL KM 94 R
- STIHL KM 111 R
- STIHL KM 131 R

The KombiTool is approved for use only with the following KombiMotors:

- STIHL KMA 130 R
- STIHL KMA 135 R

Since new Kombi powerheads may be developed after publication of this manual, ask your authorized STIHL servicing dealer for the latest STIHL recommendations.

20 Replacement Parts and Equipment

20.1 Genuine STIHL Replacement Parts

STIHL recommends the use of genuine STIHL replacement parts. Genuine STIHL parts can be identified by the STIHL part number, the **STIHL** logo and, in some cases, by the STIHL parts symbol . The symbol may appear alone on small parts.

21 Disposal

21.1 Disposal of the Power Tool

STIHL products must not be thrown in household trash or disposed of except as outlined in this manual.

- ▶ Take the power tool, accessories and packaging to an approved disposal site for environmentally friendly recycling.
- ▶ Contact your authorized STIHL servicing dealer for the latest information on disposal and recycling.

22 Limited Warranty

22.1 STIHL Incorporated Limited Warranty Policy

This product is sold subject to the STIHL Incorporated Limited Warranty Policy, available at www.stihlusa.com/warranty.html. It can also be obtained from your authorized STIHL dealer or by calling 1-800-GO-STIHL (1-800-467-8445).

23 Trademarks

23.1 Registered Trademarks

STIHL®

STIHL®



The color combination orange-grey (U.S. Registrations #2,821,860; #3,010,057, #3,010,058, #3,400,477; and #3,400,476)

AutoCut®

YARD BOSS®

STIHL ROLLOMATIC®

WOOD BOSS®



FARM BOSS®

iCademy®

MAGNUM®

MasterWrench Service®

MotoMix®

OILOMATIC®

ROCK BOSS®

STIHL Cutquik®

STIHL DUROMATIC®

STIHL Quickstop®

STIHL WOOD BOSS®

TIMBERSPORTS®



23.2 Common Law Trademarks

4-MIX™	HT Plus™
BioPlus™	STIHL PowerSweep™
Easy2Start™	STIHL Protec™
EasySpool™	STIHL MiniBoss™
ElastoStart™	STIHL MotoPlus 4™
Ematic™	Master Control Lever™
STIHL Precision Series™	STIHL OUTFITTERS™
FixCut™	STIHL PICCO™
Micro™	TrimCut™
Pro Mark™	STIHL M-Tronic™
Quad Power™	STIHL HomeScaper Series™
Quiet Line™	STIHL PolyCut™
STIHL Arctic™	STIHL RAPID™
STIHL Compact™	STIHL SuperCut™
STIHL Interchangeable Attachment Series™	STIHL Multi-Cut HomeScaper Series™
TapAction™	STIHL Territory™
	

This listing of trademarks is subject to change.

Any unauthorized use of these trademarks without the express written consent of ANDREAS STIHL AG & Co. KG, Waiblingen is strictly prohibited.

24 Addresses

24.1 STIHL Incorporated

STIHL Incorporated
536 Viking Drive
P.O. Box 2015
Virginia Beach, VA
23452-2015

Contenido

1	Introducción	23	13	Después de completar el trabajo	38
2	Sistema KombiSystem	24	13.1	Preparación para el transporte o el almacenamiento.....	38
3	Acerca de este manual de instrucciones	24	14	Transporte	38
3.1	Palabras identificadoras.....	24	14.1	Transporte del KombiTool.....	38
3.2	Símbolos en el texto.....	25	15	Almacenamiento	38
4	Componentes importantes	25	15.1	Almacenamiento del KombiTool.....	38
4.1	Accesorio KombiTool.....	25	16	Limpieza	39
5	Símbolos de seguridad en el producto	25	16.1	Limpieza del KombiTool.....	39
5.1	Accesorio KombiTool.....	25	16.2	Limpieza de cuchillas.....	39
6	INSTRUCCIONES IMPORTANTES DE SEGURIDAD	26	17	Inspección y mantenimiento	40
6.1	Uso previsto.....	26	17.1	Tabla de inspección y mantenimiento.....	40
6.2	Operador.....	27	17.2	Inspección y mantenimiento del KombiTool.....	40
6.3	Equipos de protección personal.....	27	17.3	Lubricación de la caja de engranajes.....	40
6.4	Accesorio KombiTool.....	28	17.4	Retiro y montaje de las cuchillas.....	41
6.5	Uso de la herramienta motorizada.....	29	17.5	Cambio de posición de las cuchillas.....	42
7	Mantenimiento, reparación y almacenamiento	34	17.6	Afilado de las cuchillas.....	42
7.1	Advertencias e instrucciones.....	34	18	Especificaciones	44
8	Antes de empezar a trabajar	35	18.1	STIHL RG-KM.....	44
8.1	Preparación del KombiMotor para el funcionamiento.....	35	18.2	Cuchillas.....	44
9	Armado de la herramienta motorizada	35	18.3	Símbolos del KombiTool.....	44
9.1	Montaje del mango tórico y la barra de defensa.....	35	18.4	Mejoramientos técnicos.....	44
9.2	Conexión del tubo de mando a la caja de engranajes.....	35	19	KombiEngine/KombiMotor aprobados	44
9.3	Montaje y retiro del KombiTool.....	36	19.1	STIHL RG-KM.....	44
10	Uso de un arnés	36	20	Piezas y equipos de repuesto	44
10.1	Colocación y ajuste del arnés simple.....	36	20.1	Piezas de repuesto originales de STIHL.....	44
11	Comprobación del KombiTool	37	21	Eliminación	45
11.1	Revisión de las cuchillas.....	37	21.1	Desecho de la herramienta motorizada.....	45
12	Durante el funcionamiento	37	22	Garantía limitada	45
12.1	Uso del KombiTool.....	37	22.1	Política de garantía limitada de STIHL Incorporated.....	45
			23	Marcas comerciales	45


STIHL

Este manual de instrucciones está protegido por derechos de propiedad intelectual. Todos los derechos reservados, especialmente los derechos de reproducción, traducción y procesamiento con sistemas electrónicos.

23.1 Marcas comerciales registradas.....	45
23.2 Marcas comerciales por ley común.....	45
24 Direcciones	46
24.1 STIHL Incorporated.....	46

1 Introducción

Gracias por su compra. La información que contiene este manual lo ayudará a obtener el máximo rendimiento y satisfacción del accesorio KombiTool, y a reducir el riesgo de lesiones que supone su uso, si dicha información se respeta.

El KombiSystem de STIHL permite el uso de este accesorio KombiTool con un motor de combustión KombiEngine (de gasolina) o un motor eléctrico KombiMotor (de batería) de STIHL,  19.

En este manual de instrucciones, el término “herramienta motorizada” se emplea para designar la herramienta formada por la combinación del motor KombiEngine/KombiMotor con este accesorio KombiTool de STIHL. Los accesorios KombiTool de STIHL se venden por separado.

Siempre lea y atégase a las precauciones de seguridad y advertencias dadas en este manual y en el manual del KombiEngine/KombiMotor. Deben utilizarse en conjunto. Guarde los manuales en un lugar seguro para referencia futura.

¡CONSERVE ESTE MANUAL!



Dado que este KombiTool es una herramienta motorizada de gran velocidad, es necesario tomar medidas especiales de seguridad para reducir el riesgo de lesiones personales.



Lea este manual de instrucciones y el del motor KombiEngine/KombiMotor detenidamente antes de utilizarlos, y vuélvalos a leer periódicamente. Atégase a todas las instrucciones de seguridad. El uso descuidado o inadecuado puede causar lesiones graves o mortales.

Pida a su concesionario de servicio STIHL autorizado que le enseñe el manejo de la herramienta motorizada.

No preste ni alquile la herramienta motorizada sin este manual de instrucciones y el manual del KombiEngine/KombiMotor. Solamente permita que las personas que comprenden la información de este manual por completo manejen la herramienta motorizada.

Para obtener más información, o si no comprende alguna de las instrucciones incluidas en este manual o en el manual del KombiEngine/KombiMotor, visite www.stihlusa.com o comuníquese con el concesionario de STIHL.

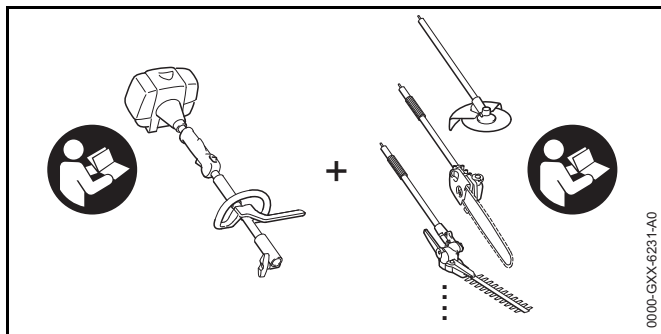
! ADVERTENCIA

Utilice su herramienta motorizada solamente para las aplicaciones descritas en este manual de instrucciones, y en el manual del KombiEngine/KombiMotor que está usando. No debe usarse para ningún otro propósito ya que el uso indebido puede resultar en lesiones personales o daños a la propiedad, incluso daños de la máquina.

! ADVERTENCIA

Siempre use la ropa protectora y las gafas protectoras adecuadas. No se debe permitir la proximidad de otros, especialmente niños y animales en el área de trabajo donde se esté utilizando la herramienta motorizada.

2 Sistema KombiSystem



En el KombiSystem de STIHL, el KombiEngine (de gasolina) y el KombiMotor (de baterías) puede combinarse con una variedad de accesorios KombiTool para formar herramientas motorizadas diferentes.

En este manual de instrucciones, el término “herramienta motorizada” se emplea para designar la herramienta formada por la combinación del motor KombiEngine/KombiMotor con un accesorio KombiTool de STIHL.

El manual de instrucciones del KombiMotor podría indicar precauciones específicas para evitar la activación accidental de la herramienta motorizada. Por ejemplo, podría ser necesario apagar el KombiMotor y desconectarle el cordón de conexión para reducir el riesgo de activación accidental. Consulte el manual del KombiMotor para más información.

Siempre lea y atégase a las precauciones de seguridad y advertencias dadas en este manual y en el manual del KombiEngine/KombiMotor. Los dos manuales deben usarse juntos. Guarde los manuales en un lugar seguro para referencia futura.

3 Acerca de este manual de instrucciones

3.1 Palabras identificadoras

Este manual contiene información sobre seguridad a la que usted debe prestar atención especial. Dicha información se indica con los siguientes símbolos y palabras identificadoras:

! PELIGRO

Identifica una situación de peligro que, de no evitarse, causará lesiones graves o mortales.

! ADVERTENCIA


Identifica una situación de peligro que, de no evitarse, podría causar lesiones graves o mortales.

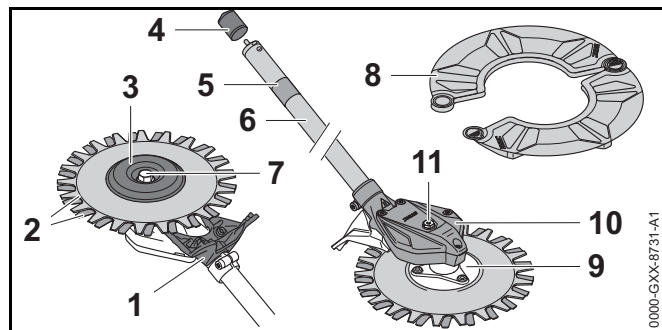
INDICACIÓN

Indica el riesgo de daños a la propiedad, incluidos la máquina o sus componentes.

3.2 Símbolos en el texto

El siguiente símbolo tiene como finalidad ayudarlo a utilizar este manual.

 Hace referencia a un capítulo o subcapítulo designado en este manual de instrucciones.

4 Componentes importantes**4.1 Accesorio KombiTool****1 Apoyo de la máquina**

Para apoyar el accesorio KombiTool en el suelo.

2 Cuchillas

Cuchillas metálicas para el corte y eliminación de malezas, pasto y materiales similares.

3 Placa de refuerzo

Cubre el montaje de la cuchilla.

4 Tapa protectora

Impide la entrada del polvo y los desperdicios al tubo de mando cuando el accesorio KombiTool no está conectado con el motor Kombi.

5 Marca

Define la profundidad correcta de conexión al insertar el KombiTool en el manguito de acoplamiento del KombiEngine/KombiMotor.

6 Tubo de mando

Conecta el KombiTool al KombiEngine/KombiMotor.

7 Tornillo

Asegura la placa de refuerzo al accesorio KombiTool.

8 Protector para transporte

Disepado para reducir el riesgo de lesiones que se generan a partir del contacto con las cuchillas mientras se transporta la unidad.

9 Montaje de cuchillas

Sirve para fijar las cuchillas.

10 Caja de engranajes

Cubre el sistema de transmisión.

11 Tapón roscado

Cierra el agujero de llenado de grasa de la caja de engranajes.

5 Símbolos de seguridad en el producto**5.1 Accesorio KombiTool**

Los siguientes símbolos de seguridad están presentes en el KombiTool:



Para reducir el riesgo de lesiones, respete las medidas de seguridad especificadas.



Lea y atégase a todas las precauciones de seguridad dadas en el manual de instrucciones. El uso inadecuado puede provocar lesiones personales graves o mortales o daños a la propiedad.



Para reducir el riesgo de lesionarse los ojos, siempre use gafas protectoras. El ruido de la herramienta motorizada puede dañar los oídos. Siempre use amortiguadores del ruido (tapones u orejeras) para protegerse los oídos, 6.3.



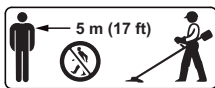
Póngase botas gruesas con suela antideslizante. Use botas de seguridad con punta de acero, 6.3.



Siempre use guantes de trabajo gruesos (por ejemplo, de cuero u otro material resistente al desgaste) para manejar la máquina o los accesorios de corte metálicos, 6.3.



Para reducir el riesgo de lesionarse, mantenga las manos, los pies y otras partes del cuerpo alejados de las cuchillas, 6.5.4.



Para reducir el riesgo de lesiones personales causadas por objetos lanzados, mantenga a las demás personas a por lo menos 5 m (17 pies) de distancia, 6.5.4.



La caja de engranajes está caliente durante el funcionamiento de la máquina. Para reducir el riesgo de lesionarse, evite tocar la caja de engranajes mientras está caliente luego del funcionamiento, 7.

6 INSTRUCCIONES IMPORTANTES DE SEGURIDAD

6.1 Uso previsto

ADVERTENCIA

- El RG-KM se usa junto con un motor KombiEngine/KombiMotor de STIHL. Está diseñado para el corte y eliminación de malezas, pasto y materiales similares. Si se usa el accesorio KombiTool para trabajos para los cuales no ha sido diseñado, se podrían causar lesiones graves o mortales.
 - Use únicamente un motor KombiEngine/KombiMotor aprobado por STIHL, 19.
 - Utilice el RG-KM solamente de la manera descrita en este manual de instrucciones, y en el manual del KombiEngine/KombiMotor de STIHL que está usando. Solo debe emplearse para los usos autorizados.
 - Corte malezas, pasto y materiales similares únicamente. No use el accesorio KombiTool para cortar matorrales, matas, arbustos u otro tipo de vegetación densa.
- El uso indebido puede dar por resultado lesiones personales o daños a la propiedad, incluyendo daños a la herramienta motorizada.
 - Utilice la herramienta motorizada únicamente de la manera descrita en este manual.
 - Nunca intente modificar ni anular los controles o dispositivos de seguridad de la herramienta motorizada en manera alguna.
 - Nunca utilice una herramienta motorizada que haya sido modificada o alterada, apartándose de su diseño original.

6.2 Operador

⚠ ADVERTENCIA

- El uso de una herramienta motorizada puede ser fatigoso. El operador debe hallarse en buenas condiciones tanto físicas como mentales. Para reducir el riesgo de lesiones personales causadas por fatiga o pérdida del control:
 - Consulte con su médico antes de trabajar con una herramienta motorizada si usted padece de alguna condición de salud que pudiera ser agravada por el trabajo extenuante.
 - No utilice la herramienta motorizada si se encuentra bajo la influencia de alguna sustancia (drogas, alcohol o medicamentos, etc.) que pudiera perjudicar su visión, equilibrio, destreza o criterio.
 - Esté alerta. No use la herramienta motorizada si está cansado. Tómese un descanso si se siente cansado.
 - No permita que menores de edad utilicen la herramienta motorizada.

6.3 Equipos de protección personal

⚠ ADVERTENCIA

- Si el cabello, la ropa o la vestimenta entran en contacto con las cuchillas en movimiento o se enredan en los componentes de la herramienta motorizada, podría perderse el control y producirse lesiones cortantes graves. Para reducir el riesgo de lesiones personales graves:



- Use ropa resistente y ajustada que permita una completa libertad de movimiento.
- Use monos o pantalones largos hechos de un material grueso para protegerse las piernas. No use pantalones cortos.
- Evite el uso de chaquetas sueltas, bufandas, corbatas, pantalones acampanados o con vueltas, joyas o cualquier otra vestimenta que pueda engancharse en las ramas, matorrales o el accesorio de corte/trabajo en movimiento.
- Sujétese el cabello por encima de los hombros antes de empezar a trabajar.

- Para reducir el riesgo de lesiones oculares:



- Siempre utilice gafas o anteojos protectores bien ajustados con protección lateral resistentes a impactos y que porten designaciones que indiquen que cumplen con la norma ANSI Z87 «+».
- La exposición prolongada al ruido emitido por la herramienta podría causarle daños permanentes al oído. Para reducir el riesgo de lesiones auditivas:



- Use barreras de sonido (tapones u orejeras).
- Los operadores regulares deben someterse con frecuencia a un examen de control auditivo.
- Esté especialmente alerta y atento al usar protección auditiva. Su capacidad para oír gritos, alarmas u otras advertencias sonoras estará restringida.
- Es muy importante tener una buena superficie de apoyo para los pies. Para ayudar a mantener un punto de apoyo seguro y reducir el riesgo de lesiones mientras trabaja:



- Póngase un calzado sólido con suela antideslizante. Nunca use sandalias, ojotas, zapatos que dejen los dedos descubiertos ni calzado de ese tipo. Use botas de seguridad con punta de acero.

- Para mejorar el manejo y ayudar a proteger las manos:



- Siempre use guantes de trabajo gruesos antideslizantes de cuero o de otro material resistente al desgaste para manipular la herramienta motorizada o sus cuchillas.

- Los equipos de protección personal que se requieran dependen del motor KombiEngine/KombiMotor específico que se esté utilizando.

- Para instrucciones adicionales sobre la vestimenta y equipos de protección personal adecuados, lea y atégase a las precauciones de seguridad dadas en el manual de instrucciones del KombiEngine/KombiMotor, antes de iniciar los trabajos.

6.4 Accesorio KombiTool

⚠ ADVERTENCIA

- Para reducir el riesgo de laceraciones graves:



- Mantenga las manos, los pies y cualquier otra parte del cuerpo lejos del KombiTool y de sus cuchillas.
- No toque con las manos ni con ninguna parte del cuerpo las cuchillas en movimiento.

- Para reducir el riesgo de lesiones personales a los espectadores y usuarios no autorizados:
 - Nunca deje la herramienta motorizada desatendida.
- Si bien es posible conectar ciertas cuchillas no autorizadas al KombiTool, su uso puede ser extremadamente peligroso.
 - Use solo las cuchillas suministradas o expresamente aprobadas por STIHL.
 - Nunca modifique, de ninguna manera, este accesorio KombiTool.
 - Nunca utilice un KombiTool que haya sido modificado o alterado, apartándose de su diseño original.
 - Para obtener una lista de motores KombiEngine/KombiMotor autorizados por STIHL para uso con su máquina, consulte el capítulo 19 de este manual de instrucciones o el catálogo "Accesorios de corte, Piezas y Accesorios" de STIHL, disponible de su concesionario o en www.stihlusa.com.
- Si la herramienta motorizada o la batería se deja caer o sufre algún impacto fuerte similar:
 - Asegúrese de que no se haya dañado, de que esté en buenas condiciones y de que funcione correctamente antes de seguir con el trabajo.
 - Compruebe que los controles y dispositivos de seguridad funcionen correctamente.
 - Nunca trabaje con una herramienta motorizada que esté averiada o funcione mal. Ante cualquier duda, pídale a un concesionario de servicio de STIHL autorizado que revise la herramienta motorizada.
- Si la herramienta motorizada se avería, no funciona debidamente, ha sido dejado a la intemperie, se expone a condiciones húmedas o cae en agua u otro líquido, sus componentes podrían no funcionar debidamente y los

dispositivos de seguridad podrían quedar inoperantes. Para reducir el riesgo de lesiones personales y daños a la propiedad:

- Lleve la herramienta motorizada a un concesionario de servicio STIHL autorizado para que realice un control antes de seguir utilizando la unidad.
- Los repuestos genuinos STIHL han sido diseñados específicamente para su herramienta motorizada y satisfacen los requisitos de seguridad y de desempeño. El uso de componentes no autorizados o no aprobados por STIHL puede causar lesiones graves o mortales y daños a la propiedad.
 - STIHL recomienda que solo se utilicen repuestos idénticos.

6.5 Uso de la herramienta motorizada

6.5.1 Antes del uso

ADVERTENCIA

- El uso inadecuado o no autorizado puede causar lesiones personales o daños a la propiedad.
 - Utilice la herramienta motorizada solamente de la manera descrita en este manual de instrucciones, y en el manual del KombiEngine/KombiMotor.
- El accesorio KombiTool deberá estar correctamente instalado y ajustado antes de empezar a trabajar. Si no se utilizan las piezas correctas para montar el KombiTool y sus cuchillas, se aumenta el riesgo de que el operador o terceros sufran lesiones personales.
 - Lea y siga las instrucciones de montaje del KombiTool y sus cuchillas dadas en el manual de instrucciones.
 - Nunca monte las cuchillas en el KombiTool sin la instalación adecuada de todas las piezas requeridas (p. ej., tornillos, placa de refuerzo, etc.).
 - Antes de comenzar el trabajo, busque piezas sueltas (tuercas, tornillos, etc.) y cuchillas rotas, deformadas o dañadas.

- Sustituya las cuchillas dañadas antes de usar la herramienta motorizada.
- Siempre mantenga las cuchillas bien afiladas.

- El uso de un KombiTool modificado, dañado, incorrectamente ajustado o que no se armó por completo y de forma segura puede generar un defecto y aumentar el riesgo de lesiones personales graves o mortales.
 - No maneje nunca un accesorio KombiTool que esté modificado, dañado, mal ajustado o que no fue armado por completo y debidamente.
 - Siempre revise que la máquina esté en buenas condiciones y funcione correctamente antes de arrancarla.
 - Si el KombiTool o cualquier pieza presenta daños o no funciona correctamente, llévelo a un concesionario de servicio STIHL autorizado. No utilice la máquina sin antes haber resuelto el problema.
- Antes de encender la herramienta motorizada, efectúe los pasos siguientes para reducir el riesgo de lesiones personales causadas por objetos lanzados, la pérdida del control o el contacto accidental con las cuchillas:
 - Asegúrese de que el KombiTool y sus cuchillas estén alejados de su persona y de las demás obstrucciones y objetos, incluido el suelo.
 - Lea y siga las instrucciones para encender la herramienta motorizada dadas en el manual del KombiEngine/KombiMotor en uso.

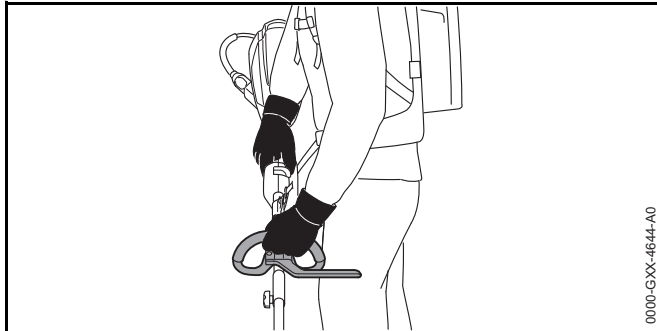
6.5.2 Sujeción y control de la herramienta motorizada

ADVERTENCIA

- Para sujetar con firmeza y controlar correctamente la herramienta motorizada:
 - Mantenga los mangos limpios y secos en todo momento. Protéjalos de la humedad, del alquitrán, del aceite, de la grasa y de la resina.
- El manejo de la herramienta motorizada con una sola mano puede causar una pérdida de control y es extremadamente peligroso. Para reducir el riesgo de

perder el control sobre la máquina y de sufrir lesiones graves o mortales, o de provocárselas a las personas de los alrededores:

- Nunca intente manejar la herramienta motorizada con una sola mano.



- Para reducir el riesgo de perder el control y de sufrir lesiones graves o mortales, o de provocárselas a las personas que se encuentran cerca:
 - Siempre sujete la herramienta motorizada firmemente con las dos manos cuando trabaje con ella.
 - Agarre firmemente los mangos con todos los dedos, manteniéndolos apoyados entre los dedos índice y pulgar (vea la ilustración de la KMA 130).
 - Durante el funcionamiento, el operador debe sujetar el mango trasero con la mano derecha y el mango delantero, con la mano izquierda (vea la ilustración de la KMA 130). Esto se aplica a todos los operadores, incluidos aquellos que sean zurdos.
 - Coloque la herramienta motorizada de modo que todas las partes de su cuerpo queden alejadas de la KombiTool y de sus cuchillas.
 - El operador debe montar el mango circular y la barra de defensa como se indica en el manual del KombiEngine/KombiMotor que se utilice.
 - El operador debe usar un arnés.

- Si se trabaja con las cuchillas sobre el nivel del suelo o en perpendicular al suelo, aumenta el riesgo de lesiones graves provocadas por objetos que salen despedidos. Además, en esta posición queda expuesta una mayor porción de las cuchillas, lo que dificulta el control de la máquina y aumenta el riesgo de lesiones. Para reducir el riesgo de lesiones graves o mortales provocadas por una pérdida del control o por objetos que salen despedidos:

- Mantenga las cuchillas a nivel del suelo, en paralelo a este.

- Para reducir el riesgo de lesiones graves o mortales por contacto con las cuchillas:



- Mantenga las manos, los pies y todas las partes de su cuerpo lejos de las cuchillas.

- No toque las cuchillas en movimiento con las manos ni con ninguna otra parte del cuerpo.

- No toque las cuchillas mientras el KombiEngine está en marcha, o cuando el KombiMotor esté conectado a una batería.

- Para reducir el riesgo de sufrir cortes graves o mortales causados por una pérdida de control, o de provocárselos a las personas que se encuentran cerca, asegúrese de mantener el equilibrio y los pies bien apoyados en todo momento:

- Asegúrese de mantener el equilibrio y de tener los pies bien apoyados en todo momento.
- Tenga especial cuidado cuando trabaje en terrenos con mucha vegetación o húmedos, y preste atención siempre a posibles obstáculos ocultos, como tocones, raíces, piedras, hoyos y zanjas.
- Proceda con extrema precaución cuando trabaje en declives o en terrenos irregulares.
- Para no perder la estabilidad, retire siempre las ramas caídas, los arbustos, el material cortado y cualquier otro objeto o vegetación que pueda aumentar el riesgo de resbalarse, tropezarse o caer.
- Nunca trabaje con la máquina por encima del nivel de su cintura.

- No extienda los brazos más de lo necesario.
- Mantenga la herramienta motorizada equilibrada, para poder controlarla adecuadamente y para fatigarse menos durante el uso.
 - Ajuste la posición del mango circular y/o del arnés para obtener y mantener una posición de trabajo cómoda y eficaz de acuerdo con las instrucciones que se dan en el manual del KombiEngine/KombiMotor que está usando.

6.5.3 Condiciones de trabajo

▲ ADVERTENCIA

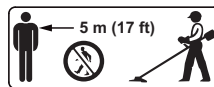
- Utilice la herramienta motorizada solamente en condiciones de buena visibilidad y a la luz del día.
 - Posponga los trabajos si el tiempo está ventoso, con neblina, lluvioso o inclemente.
- Su herramienta motorizada es una máquina que debe ser manejada por solamente una persona.
 - No se debe permitir la proximidad de otras personas, especialmente de niños, ni de animales en los lugares donde se esté utilizando la máquina.
 - Apáguela de inmediato si otra persona se le acerca.
- Para reducir el riesgo de lesiones a los espectadores y usuarios no autorizados:
 - Apague el motor KombiEngine o KombiMotor y desconecte el cordón de conexión antes de los períodos de descanso en el trabajo y toda vez que la herramienta no esté en uso. Nunca deje la máquina desatendida.
- Las chispas generadas durante el funcionamiento de la herramienta motorizada pueden encender gases, líquidos, vapores, polvos u otros materiales y sustancias combustibles. Para reducir el riesgo de incendio y explosión:
 - No utilice la herramienta motorizada en un lugar donde haya gases, líquidos, vapores, polvos u otros materiales y sustancias combustibles.
 - Lea y atégase a las recomendaciones dadas por autoridades gubernamentales (por ejemplo, OSHA) para identificar y evitar los peligros que representan gases combustibles, líquidos, vapores, polvos y otros materiales y sustancias combustibles.
- Si las cuchillas en movimiento chocaran contra una roca u otro objeto macizo, se podrían despedir chispas capaces de encender materiales inflamables en determinadas circunstancias. Entre los materiales inflamables se incluyen la vegetación y matorrales secos, en particular cuando el estado del tiempo es caliente y seco.
 - Si existe un riesgo de incendio leve o grave, no use el KombiTool en torno a materiales inflamables, ni para cortar vegetación o arbustos secos.
 - Comuníquese con las autoridades locales de control de incendios o con el servicio forestal de los EE. UU. si tiene alguna duda en cuanto a las condiciones de la vegetación y el estado del tiempo para el uso de una cuchilla metálica.
 - STIHL no recomienda el uso del KombiTool cuando se corte en zonas rocosas o en zonas que contengan desperdicios u objetos capaces de crear chispas.

- El uso de esta herramienta motorizada puede generar polvo y otras sustancias que contengan agentes químicos conocidos como causantes de problemas respiratorios, cáncer, defectos congénitos y otros tipos de toxicidad reproductiva.
 - Consulte con agencias gubernamentales tales como EPA, OSHA, CARB y NIOSH, al igual que otras fuentes fidedignas sobre materiales peligrosos si desconoce los riesgos asociados con las sustancias particulares que está cortando o con las cuales está trabajando.
- La inhalación de ciertos polvos, especialmente los polvos orgánicos, tales como el moho o polen, puede provocar reacciones alérgicas o asmáticas en las personas sensibles. La inhalación repetida o de grandes cantidades de polvo u otros contaminantes del aire, especialmente los de partículas pequeñas, puede causar enfermedades respiratorias o de otro tipo.
 - Controle el polvo en su fuente, siempre que sea posible.
 - Hasta donde sea posible hacerlo, utilice la herramienta motorizada de modo que el viento o el proceso de trabajo dirija el polvo, rocío u otras partículas generadas por la herramienta motorizada en sentido opuesto al operador.
 - Si no es posible mantener el polvo inhalable y otras partículas a niveles de fondo o aproximadamente de fondo, siempre utilice una mascarilla aprobada por NIOSH y con capacidad adecuada para las condiciones específicas del sitio. Siga las recomendaciones dadas por entidades gubernamentales (por ejemplo: OSHA/NIOSH) y asociaciones laborales y comerciales.
- Si la vegetación que corta o el terreno están cubiertos por una sustancia química, como un pesticida o herbicida:
 - Lea y siga las instrucciones y advertencias que acompañan a la sustancia que cubre la vegetación o el terreno.

6.5.4 Instrucciones de manejo


⚠ ADVERTENCIA

- En caso de emergencia, apague el KombiEngine o el KombiMotor y desenchufe el cordón de conexión de inmediato.
- Las cuchillas seguirán girando durante un breve periodo de tiempo una vez apagada la herramienta motorizada. Para reducir el riesgo de lesiones graves provocadas por contacto con las cuchillas:
 - Espere a que las cuchillas se detengan antes de caminar cargando la máquina, o de depositarla en el suelo.
- Las cuchillas en movimiento pueden lanzar objetos extraños, directa o indirectamente. Los objetos que salen lanzados, entre los que se pueden incluir cuchillas rotas, pueden provocar lesiones graves o mortales al operador o a terceras personas. Para reducir el riesgo de lesiones graves:
 - Revise la zona de trabajo. Retire piedras, vidrio, rocas, fragmentos de metal y otros objetos que pudieran ser lanzados por las cuchillas, dañar las cuchillas o provocar lesiones o daños materiales (p. ej., en vehículos estacionados o ventanas).



- Lleve siempre una protección adecuada para los ojos y asegúrese de no hay nadie a una distancia de menos de 17 pies de la zona de trabajo (5 m). Todas las personas que deban ingresar al área restringida también deberán usar una protección adecuada para los ojos.

- Para reducir el riesgo de que se produzcan daños materiales, mantenga también una distancia de 10 pies (3 m) con respecto a objetos como vehículos o ventanas.
- Respetar las distancias mínimas no elimina por completo el riesgo de que los objetos que salen despedidos provoquen lesiones y daños materiales.

- Apague el KombiEngine o el KombiMotor y desconecte el cordón de conexión de inmediato si se le aproxima alguien mientras está trabajando con la herramienta motorizada.
- El riesgo de que salgan lanzados objetos es mayor si el rendimiento de corte empeora o si la máquina se atasca con frecuencia en los cortes. Esto podría causar lesiones.
 - Afíle las cuchillas como se describe en este manual de instrucciones.
- El uso de un KombiEngine/KombiMotor o de cuchillas no aprobados podría ser extremadamente peligroso.
 - Utilice únicamente el KombiEngine/KombiMotor y las cuchillas que se recomiendan en este manual. Consulte qué modelos de KombiEngine/KombiMotor están aprobados,  19.
- Para reducir el riesgo de que el operador o las personas de los alrededores sufran cortes graves o mortales por contacto con las cuchillas:



- Mantenga las manos, los pies y todas las partes de su cuerpo lejos de las cuchillas.
- No toque las cuchillas mientras el KombiEngine está en marcha, o cuando el KombiMotor esté conectado a una batería.
- Nunca toque las cuchillas en movimiento con las manos ni con ninguna otra parte de su cuerpo.
- Apague el KombiEngine o el KombiMotor y retire el cordón de conexión antes de intentar quitar de la máquina el material cortado o atorado.

- Para reducir el riesgo de lesiones graves provocadas por un arranque accidental de la máquina:
 - Nunca toque la KombiTool ni sus cuchillas con las manos, con los pies ni con ninguna parte del cuerpo mientras el KombiEngine está en marcha o el KombiMotor, conectado a una batería.
 - Antes de inspeccionar, ajustar o limpiar una KombiTool que esté sucia, obturada o atorada, apague siempre el KombiEngine o el KombiMotor, retire el cordón de conexión y asegúrese de que la KombiTool y sus cuchillas se han detenido.
- Si la KombiTool o las cuchillas están dañadas o sueltas, pueden vibrar, agrietarse, romperse o desprenderse durante el funcionamiento, lo que podría provocar lesiones graves o mortales.
 - Asegúrese de que la KombiTool y sus cuchillas están afiladas y correctamente apretadas antes de empezar a trabajar.
 - Compruebe el apriete y el estado de la KombiTool y de sus cuchillas antes de iniciar los trabajos, y siempre que el comportamiento de corte cambie durante el uso. Espere a que la KombiTool y sus cuchillas se detengan antes de inspeccionar o de limpiar la herramienta motorizada.
 - Revise las cuchillas con regularidad y frecuencia durante el trabajo, o inmediatamente si aprecia cambios en el comportamiento de corte.
 - Si las cuchillas se aflojan después de haberlas apretado correctamente, interrumpa el trabajo de inmediato y lleve la máquina a su concesionario de servicio STIHL autorizado para que la inspeccionen.
- Las cuchillas agrietadas, dañadas o gastadas pueden romperse a altas velocidades y causar lesiones graves o mortales.
 - Sustituya inmediatamente cualquier cuchilla que esté agrietada, combada, deformada, dañada, desafilada o gastada, aunque el daño parezca solamente superficial.
 - Nunca use una herramienta motorizada si la KombiTool o sus cuchillas están flojas o dañadas.

- Para reducir la acumulación de suciedad y la fricción en las cuchillas, que pueden interferir en el correcto funcionamiento de la herramienta motorizada:
 - STIHL le recomienda que rocíe las cuchillas con un disolvente de resinas, como el lubricante y eliminador de resinas STIHL, antes de empezar a trabajar.

PELIGRO

- Para reducir el riesgo de electrocución:



- Nunca utilice esta herramienta motorizada cerca de alambres o cables que puedan tener corriente eléctrica.
- No confíe en el aislamiento contra choques eléctricos de la herramienta motorizada.

7 Mantenimiento, reparación y almacenamiento

7.1 Advertencias e instrucciones

ADVERTENCIA

- El KombiTool no contiene piezas que el usuario esté autorizado a reparar. Para reducir el riesgo de incendios, descargas eléctricas u otras lesiones personales y daños a la propiedad:
 - Los usuarios deben efectuar únicamente los trabajos de mantenimiento y limpieza descritos en este manual.
 - Siga precisamente las instrucciones de limpieza y mantenimiento dadas en las secciones correspondientes de este manual de instrucciones.
 - Nunca intente reparar un KombiTool o cuchillas que presente daños o roturas. Esto puede causar el desprendimiento de piezas rotas y producir lesiones graves o mortales.

- Use guantes resistentes y antideslizantes al manipular las cuchillas.
- STIHL recomienda que un concesionario de servicio STIHL autorizado efectúe todos los trabajos de reparación o reemplazo.
- Para reducir el riesgo de lesiones personales y daños a la propiedad a causa de un arranque accidental:
 - Apague el KombiEngine o el KombiMotor y desconecte el cordón de conexión antes de inspeccionar la herramienta motorizada o de efectuar trabajos de limpieza, mantenimiento o reparación, antes de almacenar la herramienta motorizada y toda vez que no esté en uso.
- El uso de componentes no autorizados o no aprobados por STIHL puede causar lesiones graves o mortales y daños a la propiedad.
 - STIHL recomienda que solo se utilicen repuestos STIHL idénticos.
- Para reducir el riesgo de lesiones personales graves debidas a soltura o daños en las cuchillas:
 - Mantenga las cuchillas afiladas.
 - Apriete todas las tuercas, pernos y tornillos después de haber usado la máquina.
 - Nunca repare cuchillas dañadas aplicándoles soldadura, enderezándolas o modificándoles su forma. Sustituya siempre las cuchillas dañadas antes de usar la máquina.
- La caja de engranajes está caliente durante el funcionamiento de la máquina. Para reducir el riesgo de lesiones por quemadura:






- Espere a que la caja de engranajes se enfríe antes de inspeccionarla o lubricarla y antes de cambiar las cuchillas. Evite tocar la caja de engranajes cuando está caliente luego del funcionamiento.

- El almacenamiento incorrecto puede permitir el uso no autorizado o causarle daños a la herramienta motorizada, o causar lesiones personales y daños a la propiedad.
 - Guarde la herramienta motorizada bajo techo, en un lugar seco y bajo llave al que los niños y otras personas no autorizadas no puedan acceder.
 - Coloque el protector para transporte en las cuchillas.

8 Antes de empezar a trabajar

8.1 Preparación del KombiMotor para el funcionamiento

Antes de empezar a trabajar:

- ▶ Monte y ajuste el mango tórico y la barra de defensa del KombiEngine/KombiMotor.  9.1
- ▶ Conecte el tubo de mando a la caja de engranajes,  9.2.
- ▶ Monte el accesorio KombiTool,  9.3.1.
- ▶ Compruebe que las cuchillas no presenten daños u otros problemas.
- ▶ Apriete todas las tuercas, pernos y tornillos.

9 Armado de la herramienta motorizada

9.1 Montaje del mango tórico y la barra de defensa

ADVERTENCIA

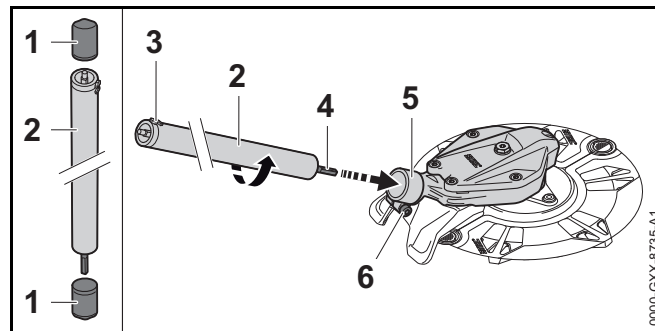
Para reducir el riesgo de lesionarse por la pérdida de control, compruebe que el mango tórico y la barra de defensa estén montados de manera correcta y segura antes de empezar a trabajar.

Montaje del mango tórico y la barra de defensa:

- ▶ Monte y ajuste el mango tórico y la barra de defensa de la manera descrita en el manual del KombiEngine/KombiMotor que está usando.

9.2 Conexión del tubo de mando a la caja de engranajes

Para conectar el tubo de mando a la caja de engranajes:



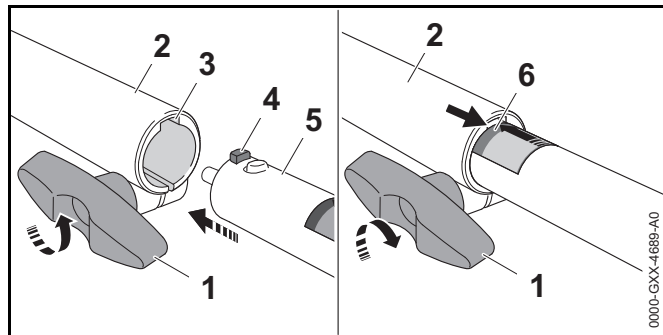
- ▶ Extraiga las tapas protectoras (1) de los dos extremos del tubo de mando (2).
- ▶ Suelte el tornillo (6).
- ▶ Introduzca el tubo de mando (2) en la caja de engranajes (5) y gírelo hasta que el eje (4) se enganche.
- ▶ Apriete el tornillo moderadamente.
- ▶ Alinee el tubo de mando de modo que la lengüeta (3) quede hacia arriba.
- ▶ Apriete el tornillo firmemente.

No es necesario volver a extraer el tubo de mando.

9.3 Montaje y retiro del KombiTool

9.3.1 Montaje del KombiTool

Para montar el KombiTool:



- ▶ Afloje el tornillo mariposa (1) del manguito de acoplamiento (2).
- ▶ Alinee la lengüeta (4) del KombiTool con la ranura (3) del manguito de acoplamiento.
- ▶ Empuje el tubo de mando (5) en el manguito de acoplamiento hasta que la línea roja (6) quede a ras con el manguito de acoplamiento.
- ▶ Apriete el tornillo mariposa firmemente.

9.3.2 Retiro del KombiTool

Para retirar el KombiTool

- ▶ Coloque el protector para transporte en las cuchillas.
- ▶ Afloje el tornillo mariposa.
- ▶ Retire el tubo de mando del manguito de acoplamiento.

10 Uso de un arnés

10.1 Colocación y ajuste del arnés simple

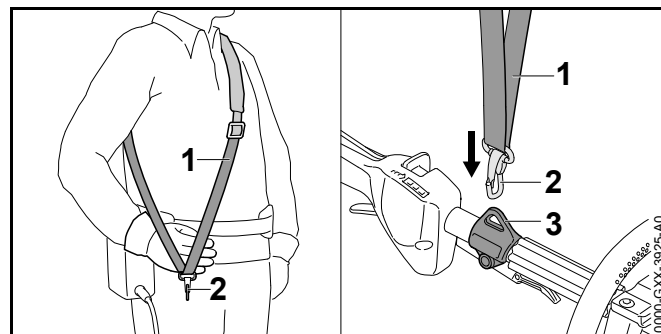
⚠ ADVERTENCIA

Para reducir el riesgo de lesiones causadas por la pérdida de control y el contacto con las cuchillas, use siempre un arnés adecuado.

Es necesario instalar la barra de defensa y siempre sujetar el mango trasero con la mano derecha y el mango delantero con la mano izquierda. Esto significa que debe colocarse el arnés simple sobre el hombro izquierdo al trabajar con este accesorio KombiTool.

Para colocar y ajustar el arnés simple:

- ▶ Apague el KombiEngine o el KombiMotor y desconecte el cordón de conexión.




- ▶ Ajuste el largo de la correa del arnés (1) de modo que el mosquetón (2) quede aproximadamente el ancho de la mano por debajo de la parte superior de la cadera.
- ▶ Fije el mosquetón a la argolla de acarreo (3) en el KombiEngine/KombiMotor.

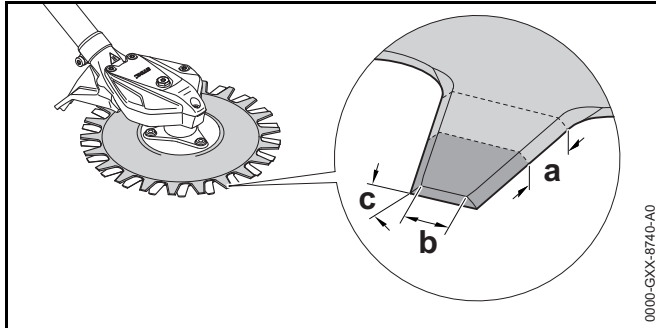
Los KombiMotor de baterías también tienen otros tipos de arneses disponibles. Se describen en el manual del KombiMotor.




11 Comprobación del KombiTool

11.1 Revisión de las cuchillas

Antes de empezar a trabajar, revise las cuchillas en busca de daños y de desgaste excesivo,  18.2.

- ▶ Apague el KombiEngine o el KombiMotor y desconecte el cordón de conexión.





- ▶ Medir las dimensiones siguientes de las cuchillas:
 - Largo a
 - Ancho b
 - Ángulo c
- ▶ Si el largo mínimo (a) es menor que 10 mm (0,4 pulg): Cambie la posición de las cuchillas,  17.5.
- ▶ Si el ancho mínimo (a) es menor que 5 mm (0,2 pulg): Sustituya las cuchillas,  17.4.
- ▶ Si el ángulo de rectificado (c) no mide 45°: Afile las cuchillas,  17.6.
- ▶ En caso de tener preguntas: Comuníquese con el distribuidor de STIHL para recibir ayuda.




12 Durante el funcionamiento

12.1 Uso del KombiTool

ADVERTENCIA

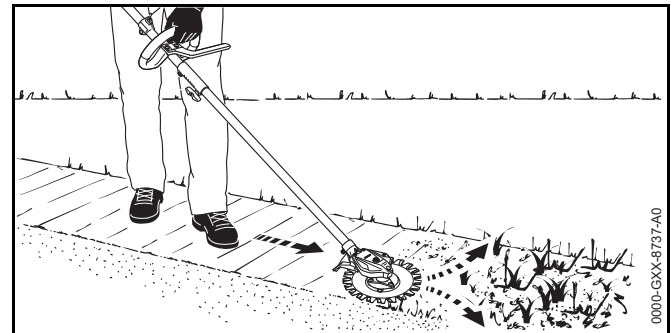
Para reducir el riesgo de que el operador o terceros sufran lesiones graves o mortales, mantenga las manos, los pies y cualquier otra parte del cuerpo alejados de las cuchillas,  6.5.2. No toque las cuchillas mientras el KombiEngine esté en marcha o que el KombiMotor esté conectado con una batería. No toque nunca con las manos ni con ninguna parte del cuerpo las cuchillas movimiento,  6.5.4.

ADVERTENCIA

Siempre use ropa adecuada y trajes protectores, incluso protección adecuada para los ojos cuando utiliza la herramienta motorizada,  6.3. Mantenga a las demás personas a por lo menos 5 m (17 pies) de distancia de la zona de trabajo,  6.5.4. Trabaje con cuidado y mantenga un control adecuado de la herramienta motorizada,  6.5.2.

La herramienta motorizada está diseñada para usarse con las dos manos.

Durante el funcionamiento, la mano derecha del operador debe sujetar el mango trasero y la mano izquierda debe sostener el mango delantero. Esto aplica a todos los operadores, incluso a aquellos que sean zurdos.



- ▶ Mantenga la máquina paralela respecto al suelo y empuje las cuchillas de corte hacia delante de manera controlada, como se muestra en la ilustración arriba.
- ▶ Avance lentamente, manteniendo las dos manos sobre la máquina en todo momento.

Respete todas las leyes, disposiciones, reglamentos y normas del caso.

13 Después de completar el trabajo

13.1 Preparación para el transporte o el almacenamiento

ADVERTENCIA

Para reducir el riesgo de lesiones personales causadas por la activación accidental o el uso no autorizado, apague el KombiEngine o KombiMotor y retire el cable de conexión antes de transportar la herramienta motorizada o de bajarla al suelo.

Para preparar el KombiTool para el transporte o el almacenamiento:



- ▶ Apague el KombiEngine o el KombiMotor y desconecte el cordón de conexión.
- ▶ Coloque el protector para transporte en las cuchillas.
- ▶ Si el KombiTool se humedeció durante el funcionamiento, deje que se seque por completo antes de guardarla.

14 Transporte

14.1 Transporte del KombiTool

ADVERTENCIA

Para reducir el riesgo de sufrir lesiones debido a la pérdida de control y al contacto con las cuchillas, nunca lleve ni transporte la herramienta motorizada con las cuchillas en

marcha,  6.5.4. Compruebe que las cuchillas se hayan detenido antes de colocar la herramienta motorizada en el suelo,  6.5.4.

ADVERTENCIA

Fije el protector para transporte para ayudar a evitar sufrir una cortada o el contacto accidental. Retire siempre el protector para transporte antes de comenzar a trabajar.



Para trasladar la herramienta motorizada:

- ▶ Siempre traslade la herramienta motorizada según las instrucciones dadas en este manual y en el manual del KombiEngine/KombiMotor empleado.
- ▶ Cuando se acarrea el KombiTool a mano, sujete el tubo de mando de modo que la máquina permanezca paralela con respecto al suelo. Mantenga las cuchillas apuntando hacia atrás, en dirección opuesta a la que está caminando.
- ▶ Cuando transporte el KombiTool en un vehículo, fijela y ubíquela de modo que no se vuelque, se golpee o se dañe.


15 Almacenamiento

15.1 Almacenamiento del KombiTool

ADVERTENCIA

Guarde el accesorio KombiTool bajo techo en un lugar seco y bajo llave al que los niños y otras personas no autorizadas no puedan acceder,  7. Un procedimiento incorrecto de almacenamiento podría permitir el uso no autorizado del KombiTool y causarle daños,  7.


Al guardar el KombiTool:

- ▶ Retire el KombiTool del KombiEngine/KombiMotor.
- ▶ Limpie e inspeccione el KombiTool y sus cuchillas,  16.
- ▶ Guarde el KombiTool bajo techo, en un lugar seco y bajo llave, fuera del alcance de los niños y de otras personas no autorizadas.

16 Limpieza

16.1 Limpieza del KombiTool

ADVERTENCIA

Para reducir el riesgo de lesiones personales por la activación accidental, quite el accesorio KombiTool antes de realizar el trabajo de limpieza,  7. Los usuarios de este KombiTool deben efectuar únicamente la limpieza descrita en este manual.

Para limpiar el KombiTool:



- ▶ Limpie los componentes de polímero con un trapo ligeramente humedecido. No utilice detergentes ni disolventes fuertes, los cuales pueden dañar o debilitar los componentes de polímeros.
- ▶ No utilice una hidrolavadora para limpiar la máquina ni la rocíe con agua u otros líquidos.

INDICACIÓN

Nunca rocíe agua sobre el KombiTool. Un chorro de agua podría dañar sus sistemas electrónicos y de otros tipos.

16.2 Limpieza de cuchillas

ADVERTENCIA

Para reducir el riesgo de lesiones personales causadas por la activación accidental, apague el KombiEngine o KombiMotor y quite el cordón de conexión antes de realizar algún trabajo de limpieza,  7. Los usuarios de este KombiTool deben efectuar únicamente la limpieza descrita en este manual. Para ayudar a evitar lesiones, siempre use guantes resistentes al manipular el KombiTool o sus cuchillas,  6.3.



Para limpiar las cuchillas:

- ▶ Rocíe los dos lados de las cuchillas con un disolvente de resinas, como el lubricante y eliminador de resinas STIHL.
- ▶ Encienda la herramienta motorizada durante unos segundos para distribuir uniformemente el disolvente de resina en las cuchillas.
- ▶ No utilice una hidrolavadora para limpiar las cuchillas de corte ni las rocíe con agua u otros líquidos.

17 Inspección y mantenimiento


17.1 Tabla de inspección y mantenimiento

Apague el KombiEngine o el KombiMotor y desconecte el cordón de conexión antes de efectuar trabajos de inspección, limpieza o mantenimiento.



Los siguientes intervalos de mantenimiento se brindan a modo de ejemplo y corresponden a condiciones normales de trabajo. El uso y la experiencia determinarán la frecuencia de inspección y mantenimiento requerida.		Antes de empezar a trabajar	Después de terminar de trabajar	Cada 25 horas de funcionamiento	Capítulo correspondiente
Accesorio KombiTool	Inspección visual	X	X		
	Limpiar		X		 16
Caja de engranajes	Lubricación			X	 17.3
Cuchillas	Inspección visual	X	X		

17.2 Inspección y mantenimiento del KombiTool

ADVERTENCIA

Para reducir el riesgo de lesiones personales causadas por la activación accidental, apague el KombiEngine o KombiMotor y quite el cordón de conexión antes de inspeccionar el accesorio KombiTool o de realizar algún trabajo de mantenimiento,  7. Efectúe únicamente las operaciones de mantenimiento que se describen en este manual. No hay reparaciones autorizadas para los usuarios. STIHL recomienda que los concesionarios de servicio STIHL autorizados efectúen los trabajos de reparación.

Para realizar el mantenimiento correcto del KombiTool:

- ▶ Lubrique la caja de engranajes.
- ▶ Afile las cuchillas.
- ▶ Cambie la posición de las cuchillas si están parcialmente desgastadas,  17.5. Sustituya las cuchillas si están completamente desgastadas,  17.4.

- ▶ Sustituya las cuchillas si apenas un segmento presenta desgaste excesivo, roturas o daños.
- ▶ Si las etiquetas de seguridad están dañadas o faltan, solicite etiquetas de repuesto a un concesionario de servicio STIHL autorizado.

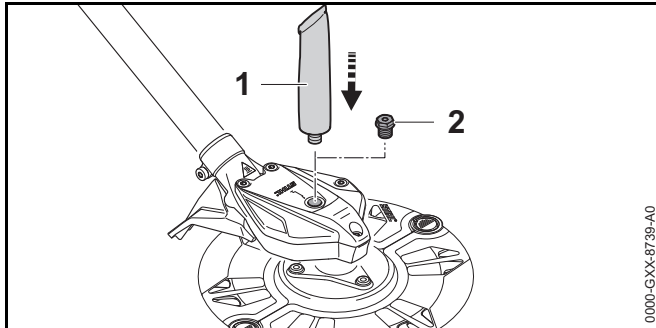
Si usted está reclamando cobertura de garantía para algún componente que no ha sido reparado o mantenido debidamente, es posible que se deniegue la garantía.

17.3 Lubricación de la caja de engranajes

ADVERTENCIA

La caja de engranajes está caliente durante el funcionamiento de la máquina. Para reducir el riesgo de lesionarse, evite tocar la caja de engranajes mientras está caliente luego del funcionamiento. Espere a que la caja de engranajes se enfríe antes de llevar a cabo esta operación.

Para lubricar la caja de engranajes:



- ▶ Saque el tapón roscado (2).
- ▶ Si no se ve grasa en el interior del tapón de llenado, atornille el tubo (1) del lubricante para engranajes STIHL en el agujero de llenado.
- ▶ Inyecte no más de 5 g (0,2 oz) de lubricante para engranajes STIHL en la caja de engranajes.
- ▶ Retire el tubo del lubricante para engranajes STIHL.
- ▶ Inserte el tapón roscado y apriételo bien firme.

INDICACIÓN

No llene completamente con grasa la caja de engranajes.

17.4 Retiro y montaje de las cuchillas

17.4.1 Retiro de las cuchillas

⚠ ADVERTENCIA

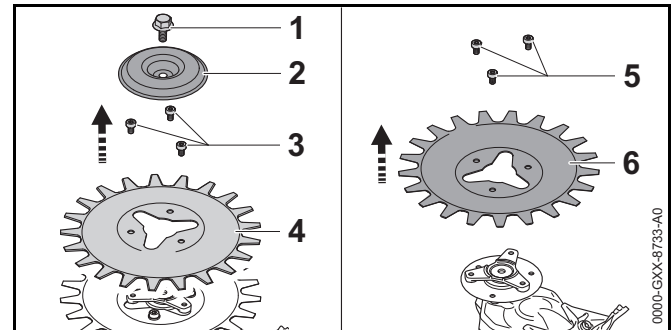
Las cuchillas tienen muchos bordes afilados. Si entran en contacto con alguna parte de su cuerpo, le causarán una herida, aunque las cuchillas estén detenidas. Siempre use guantes de trabajo resistentes al afilar o manipular las cuchillas, 6.3.

⚠ ADVERTENCIA

Las cuchillas dañadas o sueltas puede vibrar, agrietarse, romperse o salirse de la máquina, lo que puede provocar lesiones graves o mortales o daños a la propiedad. Asegúrese de que la cuchilla de corte esté afilada y en buenas condiciones antes de empezar a trabajar, 6.5.4.

Para retirar las cuchillas:

- ▶ Apague el KombiEngine o el KombiMotor y desconecte el cordón de conexión.

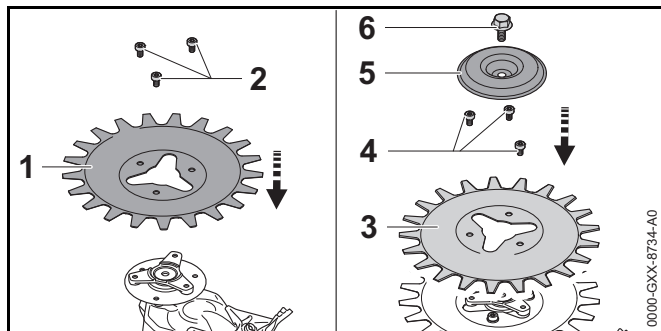


- ▶ Coloque la máquina de modo que se observe la parte inferior del montaje de cuchillas.
- ▶ Saque el tornillo (1) por medio de girarlo en sentido contrario a las agujas del reloj.
- ▶ Quite la placa de refuerzo (2).
- ▶ Saque los tornillos (3) por medio de girarlos en sentido contrario a las agujas del reloj.
- ▶ Retire la cuchilla inferior (4).
- ▶ Saque los tornillos (5) por medio de girarlos en sentido contrario a las agujas del reloj.
- ▶ Retire la cuchilla superior (6).

17.4.2 Montaje de las cuchillas

Para montar las cuchillas:

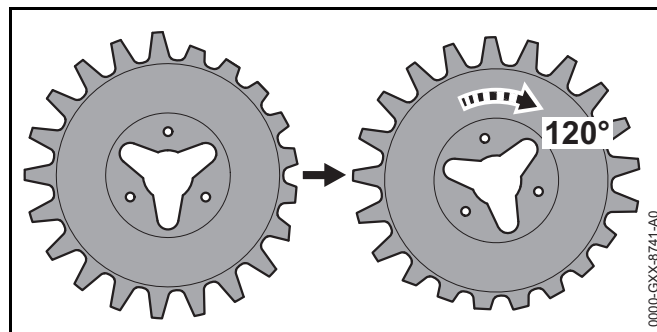
- ▶ Apague el KombiEngine o el KombiMotor y desconecte el cordón de conexión.



- ▶ Coloque la máquina de modo que se observe la parte inferior del montaje de cuchillas.
- ▶ Coloque la cuchilla superior (1) directamente en el montaje.
- ▶ Inserte los tornillos (2) y apriételos bien firmes por medio de girarlos en sentido horario.
- ▶ Coloque la cuchilla inferior (3) directamente sobre el montaje.
- ▶ Inserte los tornillos (4) y apriételos bien firmes por medio de girarlos en sentido horario.
- ▶ Coloque la placa de refuerzo (5) sobre las cuchillas.
- ▶ Fije el tornillo (6) por medio de girarlo en sentido horario.

17.5 Cambio de posición de las cuchillas

- ▶ Apague el KombiEngine o el KombiMotor y desconecte el cordón de conexión.
- ▶ Retire las cuchillas.



- ▶ Cambie la posición y montaje de las cuchillas de corte con un descentramiento de 120°.
- ▶ Si la posición de las cuchillas ya ha sido cambiada dos veces: Sustituya las cuchillas.

17.6 Afilado de las cuchillas

⚠ ADVERTENCIA

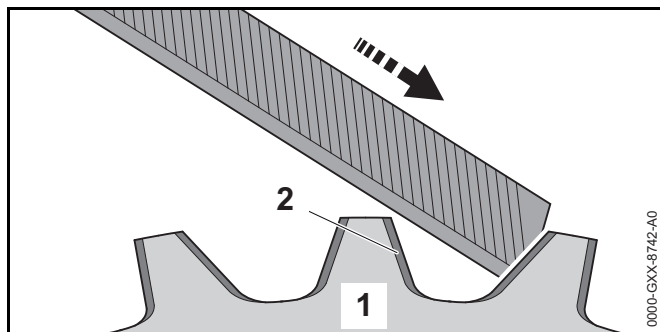
No use nunca cuchillas desafiladas ni dañadas. Trabajar con cuchillas desafiladas genera un aumento en el esfuerzo físico, mayor carga de vibración, resultados de corte no satisfactorios y mayor desgaste, lo que puede resultar en la pérdida de control y en lesiones al operador o a otras personas. Un accesorio de corte dañado puede vibrar, agrietarse o romperse, lo que puede provocar lesiones graves o mortales o daños a la propiedad. Asegúrese de que el accesorio de corte esté afilado y en buenas condiciones antes de empezar a trabajar.



⚠ ADVERTENCIA

STIHL recomienda que un concesionario de servicio STIHL autorizado afile las cuchillas de corte para reducir el riesgo de lesiones graves o mortales.

Para afilar las cuchillas de corte:

- ▶ Apague el KombiEngine o el KombiMotor y desconecte el cordón de conexión.
- ▶ Retire las cuchillas.



- ▶ Utilice una lima plana para afilar las cuchillas de corte (1) romas. En el caso de desgaste o mellas más serios, vuelva a afilar con una rectificadora o pida que el trabajo se lo haga un concesionario de servicio STIHL autorizado.
- ▶ Afile con frecuencia y quite la menor cantidad de metal posible para crear un buen filo (2). Por lo general, dos o tres pasadas de la lima son suficientes.
- ▶ Vuelva a afilar los dientes de forma uniforme. Procure no alterar el contorno del cuerpo de la cuchilla. Mantenga el ángulo de afilado especificado,  18.2.
- ▶ Monte las cuchillas,  17.4.2.

18 Especificaciones

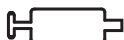
18.1 STIHL RG-KM

- Peso con cuchillas de corte: 5,3 lb (2,4 kg)

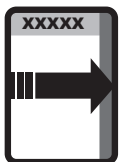
18.2 Cuchillas

- Espesor: 2,5 mm (0,1 pulg)
- Ancho mínimo (diente): 5 mm (0,2 pulg)
- Longitud mínima (diente): 10 mm (0,4 pulg)
- Ángulo de afilado: 45°

18.3 Símbolos del KombiTool



Orificio de llenado para lubricante de engranajes



Empuje el tubo de mando en el manguito de acoplamiento del KombiEngine/KombiMotor hasta la profundidad marcada.

18.4 Mejoramientos técnicos

STIHL tiene la filosofía de mejorar continuamente todos sus productos. Como resultado de ello, periódicamente se introducen cambios de diseño y mejoras. Por lo tanto, es posible que algunos cambios, modificaciones y mejoras no se describan en este manual. Si las características de funcionamiento o la apariencia de su máquina difieren de las descritas en este manual, comuníquese con el concesionario STIHL para obtener la ayuda que requiera.

19 KombiEngine/KombiMotor aprobados

19.1 STIHL RG-KM

La KombiTool está aprobada para su uso con los siguientes KombiEngine:

- STIHL KM 91 R
- STIHL KM 94 R
- STIHL KM 111 R
- STIHL KM 131 R


La KombiTool está aprobada para usarse con los siguientes KombiMotor:

- STIHL KMA 130 R
- STIHL KMA 135 R

Puesto que es posible que se hayan desarrollado nuevas combinaciones motoras desde la publicación de este manual, consulte en su concesionario de servicio STIHL cuáles son las recomendaciones más recientes de STIHL.

20 Piezas y equipos de repuesto

20.1 Piezas de repuesto originales de STIHL

STIHL recomienda el uso de piezas de repuesto originales de STIHL. Es posible identificar las piezas originales de STIHL por el número de pieza STIHL, el logotipo de **STIHL** y, en ciertos casos, el símbolo  de piezas STIHL. En las piezas pequeñas el símbolo puede aparecer solo.

21 Eliminación

21.1 Desecho de la herramienta motorizada

Los productos STIHL no se deben desechar junto con la basura del hogar, sino de la manera en que se detalla en este manual.

- ▶ Tome la herramienta motorizada y su embalaje a un sitio aprobado para desecharla y que efectúe un reciclaje no dañino al medio ambiente.
- ▶ Comuníquese con un concesionario de servicio STIHL autorizado para obtener la información más actualizada sobre eliminación y reciclado.

22 Garantía limitada

22.1 Política de garantía limitada de STIHL Incorporated

Este producto se vende sujeto a la Política de garantía limitada de STIHL Incorporated, disponible en www.stihlusa.com/warranty.html. También puede obtenerlo de un concesionario de servicio STIHL autorizado o llamando al 1-800-GO-STIHL (1-800-467-8445).

23 Marcas comerciales

23.1 Marcas comerciales registradas

STIHL®



FARM BOSS®
 iCademy®
 MAGNUM®

La combinación de colores anaranjado-gris (Registros en EE. UU. #2,821,860; #3,010,057, #3,010,058, #3,400,477; y #3,400,476)

AutoCut®
 YARD BOSS®
 STIHL ROLLOMATIC®
 WOOD BOSS®



MasterWrench Service®
 MotoMix®
 OILOMATIC®
 ROCK BOSS®
 STIHL Cutquik®
 STIHL DUROMATIC®
 STIHL Quickstop®
 STIHL WOOD BOSS®
 TIMBERSPORTS®



23.2 Marcas comerciales por ley común

4-MIX™	HT Plus™
BioPlus™	STIHL PowerSweep™
Easy2Start™	STIHL Protec™
EasySpool™	STIHL MiniBoss™
ElastoStart™	STIHL MotoPlus 4™
Ematic™	Master Control Lever™
STIHL Precision Series™	STIHL OUTFITTERS™
FixCut™	STIHL PICCO™
Micro™	TrimCut™
Pro Mark™	STIHL M-Tronic™
Quad Power™	STIHL HomeScaper Series™
Quiet Line™	STIHL PolyCut™
STIHL Arctic™	STIHL RAPID™
STIHL Compact™	STIHL SuperCut™
STIHL Interchangeable Attachment Series™	STIHL Multi-Cut HomeScaper Series™
TapAction™	STIHL Territory™
	

Esta lista de marcas comerciales está sujeta a cambios.

Queda terminantemente prohibido todo uso de estas marcas comerciales sin el consentimiento expreso por escrito de ANDREAS STIHL AG & Co. KG, Waiblingen.

24 Direcciones

24.1 STIHL Incorporated

STIHL Incorporated
536 Viking Drive
P.O. Box 2015
Virginia Beach, VA
23452-2015

⚠ WARNING

This product contains chemicals known to the State of California to cause cancer, birth defects or other reproductive harm.

⚠ ADVERTENCIA

Este producto contiene productos químicos considerados por el Estado de California como causantes de cáncer, defectos de nacimiento u otra toxicidad reproductora.

0458-811-8621-A

englisch / spanisch USA



www.stihl.com



0458-811-8621-A