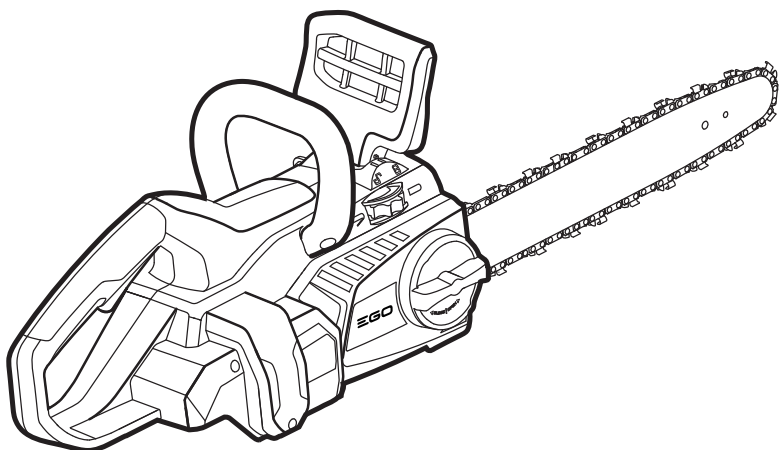


EGO[®]

POWER⁺ CHAIN SAW



OPERATOR'S MANUAL

56V LITHIUM-ION CORDLESS CHAIN SAW

MODEL NUMBER CS1400

Français p. 53

Español p. 109

⚠ WARNING: To reduce the risk of injury, the user must read and understand the Operator's Manual before using this product. Save these instructions for future reference.

TABLE OF CONTENTS

Safety Symbols	4
Safety Instructions	5-16
Introduction	17
Specifications	17
Packing List	18
Description	19-21
Assembly	22
Operation	23-35
Maintenance	35-45
Troubleshooting	46-47
Warranty	48-49
Parts List	50-51

READ ALL INSTRUCTIONS!



READ & UNDERSTAND
INSTRUCTION MANUAL

⚠ WARNING: Some dust created by power cutting contains chemicals known to the state of California to cause cancer, birth defects or other reproductive harm. Some examples of these chemicals are:

- Lead from lead-based paints
- Crystalline silica from bricks and cement and other masonry products, and
- Arsenic and chromium from chemically-treated lumber.

Your risk from these exposures varies, depending on how often you do this type of work. To reduce your exposure to these chemicals: work in a well ventilated area, and work with approved safety equipment, such as those dust masks that are specially designed to filter out microscopic particles.

SAFETY SYMBOLS

The purpose of safety symbols is to attract your attention to possible dangers. The safety symbols and the explanations with them deserve your careful attention and understanding. The symbol warnings do not, by themselves, eliminate any danger. The instructions and warnings they give are no substitutes for proper accident prevention measures.

⚠ WARNING: Be sure to read and understand all safety instructions in this Operator's Manual, including all safety alert symbols such as "**DANGER**," "**WARNING**," and "**CAUTION**" before using this tool. Failure to following all instructions listed below may result in electric shock, fire, and/or serious personal injury.

SYMBOL MEANING

⚠ SAFETY ALERT SYMBOL: Indicates **DANGER**, **WARNING**, OR **CAUTION**. May be used in conjunction with other symbols or pictographs.

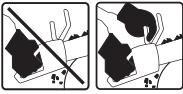





⚠ WARNING! The operation of any power tools can result in foreign objects being thrown into your eyes, which can result in severe eye damage. Before beginning power tool operation, always wear safety goggles or safety glasses with side shield and a full face shield when needed. We recommend a Wide Vision Safety Mask for use over eyeglasses or standard safety glasses with side shields. Always use eye protection which is marked to comply with ANSI Z87.1.

SAFETY INSTRUCTIONS

This page depicts and describes safety symbols that may appear on this product. Read, understand, and follow all instructions on the machine before attempting to assemble and operate.

	Safety Alert	Indicates a potential personal injury hazard.
	Read Operator's Manual	To reduce the risk of injury, user must read instruction.
	Wear Eye Protection	Always wear safety goggles or safety glasses with side shields and a full face shield when operating this product.
	Wear Ear Protection	Chain saw noise may damage your hearing. Always wear sound barriers (ear plugs or ear muffers) to protect your hearing.
	Wear Head Protection	Wear an approved safety hard hat to protect your head.
	Wear Protective Gloves	Protect your hands with gloves when handling saw and saw chain. Heavy-duty, nonslip gloves improve your grip and protect your hands.
	Be aware of kickback	Contact of the guide bar tip with any object should be avoided
	Guide bar tip kickback	Tip contact can cause the guide bar to move suddenly upward and backward, which can cause serious injury.

	Two handed hold	Always use two hands when operating the chain saw
	Recycle Symbols	This product uses lithium-ion (Li-ion) batteries. Local, state, or federal laws may prohibit disposal of batteries in ordinary trash. Consult your local waste authority for information regarding available recycling and/or disposal options.
IPX4	Ingress Protection Degree	Protection from splashing water
V	Volt	Voltage
A	Amperes	Current
Hz	Hertz	Frequency (cycles per second)
W	Watt	Power
min	Minutes	Time
	Alternating Current	Type of current
	Direct Current	Type or a characteristic of current
n_0	No Load Speed	Rotational speed, at no load
... /min	Per Minute	Revolutions per minute

⚠ DANGER: People with electronic devices, such as pacemakers, should consult their physician(s) before using this product. Operation of electrical equipment in close proximity to a heart pacemaker could cause interference or failure of the pacemaker.

GENERAL POWER TOOL SAFETY WARNINGS

⚠ WARNING! Read all safety warnings and instructions. Failure to follow the warnings and instructions may result in electric shock, fire and/or serious injury.

Save all warnings and instructions for future reference.

The term “power tool” in the warnings refers to your mains-operated (corded) power tool or battery-operated (cordless) power tool.

WORK AREA SAFETY

- **Keep work area clean and well lit.** Cluttered or dark areas invite accidents.
- **Do not operate power tools in explosive atmospheres, such as in the presence of flammable liquids, gases or dust.** Power tools create sparks which may ignite the dust or fumes.
- **Keep children and bystanders away while operating a power tool.** Distractions can cause you to lose control.

ELECTRICAL SAFETY

- **Power tool plugs must match the outlet. Never modify the plug in any way. Do not use any adaptor plugs with earthed (grounded) power tools.** Unmodified plugs and matching outlets will reduce risk of electric shock
- **Avoid body contact with earthed or grounded surfaces, such as pipes, radiators, ranges and refrigerators.** There is an increased risk of electric shock if your body is earthed or grounded.
- **Do not expose power tools to rain or wet conditions.** Water entering a power tool will increase the risk of electric shock.
- **Do not abuse the cord. Never use the cord for carrying, pulling or unplugging the power tool. Keep cord away from heat, oil, sharp edges or moving parts.** Damaged or entangled cords increase the risk of electric shock.
- **When operating a power tool outdoors, use an extension cord suitable for outdoor use.** Use of a cord suitable for outdoor use reduces the risk of electric shock.
- **If operating a power tool in a damp location is unavoidable, use a Ground-fault circuit interrupter protected supply.** Use of GFCI reduces the risk of electric shock.

PERSONAL SAFETY

- **Stay alert, watch what you are doing and use common sense when operating a power tool. Do not use a power tool while you are tired or under the influence of drugs, alcohol, or medication.** A moment of inattention while operating power tools may result in serious personal injury.
- **Use personal protective equipment. Always wear eye protection.** Protective equipment such as dust mask, non-skid safety shoes, hard hat, or hearing protection used for appropriate conditions will reduce personal injuries.
- **Prevent unintentional starting. Ensure the switch is in the off-position before connecting to power source and/or battery pack, picking up or carrying the tool.** Carrying power tools with your finger on the switch or energizing power tools that have the switch on invites accidents.
- **Remove any adjusting key or wrench before turning the power tool on.** A wrench or a key left attached to a rotating part of the power tool may result in personal injury.
- **Do not overreach. Keep proper footing and balance at all times.** This enables better control of the power tool in unexpected situations.
- **Dress properly. Do not wear loose clothing or jewelry. Keep your hair, clothing and gloves away from moving parts.** Loose clothes, jewelry or long hair can be caught in moving parts.
- **If devices are provided for the connection of dust extraction and collection facilities, ensure these are connected and properly used.** Use of dust devices can reduce dust-related hazards.

POWER TOOL USE AND CARE

- **Do not force the power tool. Use the correct power tool for your application.** The correct power tool will do the job better and safer at the rate for which it was designed.
- **Do not use the power tool if the switch does not turn it on and off.** Any power tool that cannot be controlled with the switch is dangerous and must be repaired.
- **Disconnect the plug from the power source and/or the battery pack from the power tool before making any adjustments, changing accessories, or storing power tools.** Such preventive safety measures reduce the risk of starting the power tool accidentally.

- **Store idle power tools out of the reach of children and do not allow persons unfamiliar with the power tool or these instructions to operate the power tool.** Power tools are dangerous in the hands of untrained users.
- **Maintain power tools. Check for misalignment or binding of moving parts, breakage of parts and any other condition that may affect the power tool's operation. If damaged, have the power tool repaired before use.** Many accidents are caused by poorly maintained power tools.
- **Keep cutting tools sharp and clean.** Properly maintained cutting tools with sharp cutting edges are less likely to bind and are easier to control.
- **Use the power tool, accessories and tool bits etc. in accordance with these instructions, taking into account the working conditions and the work to be performed.** Use of the power tool for operations different from those intended could result in a hazardous situation.

BATTERY TOOL USE AND CARE

- **Recharge only with the charger specified by the manufacturer.** A charger that is suitable for one type of battery pack may create a risk of fire when used with another battery pack.
- **Use power tools only with specifically designated battery packs.** Use of any other battery packs may create a risk of injury and fire.
- **When battery pack is not in use, keep it away from other metal objects, like paper clips, coins, keys, nails, screws or other small metal objects that can make a connection from one terminal to another.** Shorting the battery terminals together may cause burns or a fire.
- **Under abusive conditions, liquid may be ejected from the battery; avoid contact. If contact accidentally occurs, flush with water. If liquid contacts eyes, additionally seek medical help.** Liquid ejected from the battery may cause irritation or burns.

SERVICE

- **Have your power tool serviced by a qualified repair person using only identical replacement parts.** This will ensure that the safety of the power tool is maintained.

CHAIN SAW SAFETY WARNINGS

- **Keep all parts of the body away from the saw chain when the chain saw is operating. Before you start the chain saw, make sure the saw chain is not contacting anything.** A moment of inattention while operating chain saws may cause entanglement of your clothing or body with the chain.
- **Always hold the chain saw with your right hand on the rear handle and your left hand on the front handle.** Holding the chain saw with a reversed hand configuration increases the risk of personal injury and should never be done.
- **Hold the power tool by insulated gripping surfaces only, because the saw chain may contact hidden wiring.** Saw chains contacting a “live” wire may make exposed metal parts of the power tool “live” and could give the operator an electric shock.
- **Wear safety glasses and hearing protection. Further protective equipment for head, hands, legs and feet is recommended.** Adequate protective clothing will reduce personal injury by flying debris or accidental contact with the saw chain.
- **Do not operate a chain saw in a tree.** Operation of a chain saw while up in a tree may result in personal injury.
- **Always keep proper footing and operate the chain saw only when standing on fixed, secure and level surface.** Slippery or unstable surfaces such as ladders may cause a loss of balance or control of the chain saw.
- **When cutting a limb that is under tension be alert for spring back.** When the tension in the wood fibers is released the spring loaded limb may strike the operator and/or throw the chain saw out of control.
- **Use extreme caution when cutting brush and saplings.** The slender material may catch the saw chain and be whipped toward you or pull you off balance.
- **Carry the chain saw by the front handle with the chain saw switched off and away from your body. When transporting or storing the chain saw always fit the guide bar cover.** Proper handling of the chain saw will reduce the likelihood of accidental contact with the moving saw chain.
- **Follow instructions for lubricating, chain tensioning and changing accessories.** Improperly tensioned or lubricated chain may either break or increase the chance for kickback.

- **Keep handles dry, clean, and free from oil and grease.** Greasy, oily handles are slippery causing loss of control.
- **Cut wood only. Do not use chain saw for purposes not intended. For example: do not use chain saw for cutting plastic, masonry or non-wood building materials.** Use of the chain saw for operations different than intended could result in a hazardous situation.

ADDITIONAL WARNINGS

- **A chain saw is intended for two-handed use.** Serious injury to the operator, helpers, and/or bystanders can result from one-handed operation.
- **Avoid unintentional contact with the stationary saw chain or guide bar rails.** These can be very sharp. Always wear gloves and long pants or chaps when handling the chain saw, saw chain, or guide bar.
- **Never operate a chain saw that is damaged or improperly adjusted or that is not completely and securely assembled.** Be sure that the saw chain stops moving when the trigger switch is released.
- **Inspect the work piece for nails, wire, or other foreign objects prior to cutting.**
- **When bucking, secure the work piece prior to cutting. When felling or pruning, identify and secure hazardous branches.**
- **Aggressive or abusive cutting or misuse of the chain saw can cause premature bar, chain, and/or sprocket wear, as well as broken chain or bar, leading to kickback, chain throw or the ejection of material.**
- **Never use the guide bar as a lever.** A bent guide bar can cause premature bar, chain, and/or sprocket wear, as well as a broken chain or bar, leading to kickback, chain throw or the ejection of material.
- **Cut only one work piece at a time.**
- **Use only with the battery packs and chargers listed below:**

BATTERY PACK	CHARGER
BA1120, BA1400, BA2240	CH2100
BA2800, BA4200	CH5500

- **Do not charge the battery pack in rain or in wet locations.**

- Plan the work, ensuring an obstacle-free work area and, in the case of felling, at least one escape path from the falling tree.
- When felling, keep bystanders at least two tree lengths away.
- If situations occur which are not covered in this manual, use care and good judgment. Contact EGO Customer Service for assistance.

CAUSES AND OPERATOR PREVENTION OF KICKBACK (Fig. 1, 2, 3 & 4)

Kickback may occur when the nose or tip of the guide bar touches an object, or when the wood closes in and pinches the saw chain in the cut.

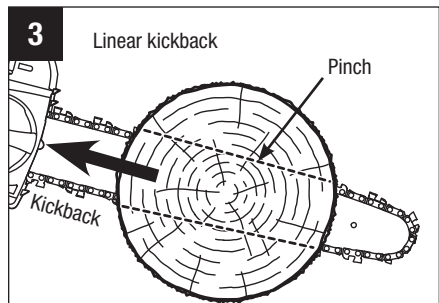
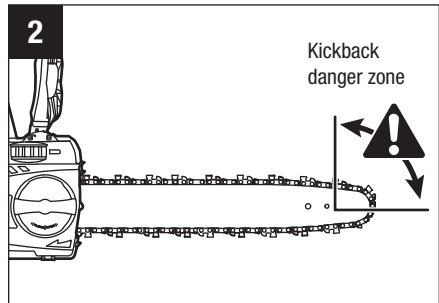
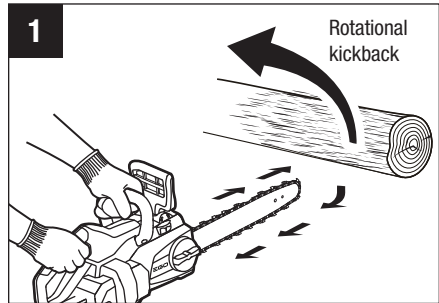
Tip contact in some cases may cause a sudden reverse reaction, kicking the guide bar up and back towards the operator.

Pinching the saw chain along the top of the guide bar may push the guide bar rapidly back towards the operator.

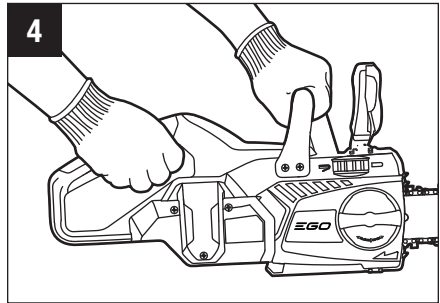
Either of these reactions may cause you to lose control of the saw which could result in serious personal injury. Do not rely exclusively upon the safety devices built into your saw.

As a chain saw user, you should take several steps to keep your cutting jobs free from accident or injury.

Kickback is the result of tool misuse and/or incorrect operating procedures and conditions and can be avoided by taking proper precautions as given below:



- **Maintain a firm grip, with thumbs and fingers encircling the chain saw handles, with both hands on the saw and position your body and arm to allow you to resist kickback forces (Fig. 4).** Kickback forces can be controlled by the operator, if proper precautions are taken. Do not let go of the chain saw.



- **Do not overreach and do not cut above shoulder height.** This helps prevent unintended tip contact and enables better control of the chain saw in unexpected situations.
- **Only use replacement bars and chains specified by the manufacturer.** Incorrect replacement bars and chains may cause chain breakage and/or kickback.
- **Follow the manufacturer's sharpening and maintenance instructions for the saw chain.** Decreasing the depth gauge height can lead to increased kickback.
- **Make sure that the area in which you are cutting is free from obstructions.** Do not let the nose of the guide bar contact a log, branch, fence, or any other obstruction that could be hit while you are operating the saw.
- **Always cut with the unit running at full speed.** Fully squeeze the switch trigger and maintain cutting speed.
- **With a basic understanding of kickback, you can reduce or eliminate the element of surprise.** Sudden surprise contributes to accidents.
- **Keep proper footing and balance at all times.**

- **Push and Pull** – The reaction force is always opposite to the direction the chain is moving where wood contact is made. Thus, the operator must be ready to control the PULL when cutting on the bottom edge of the bar, and the PUSH when cutting along the top edge. See Figure 5.

KICKBACK SAFETY DEVICES ON THIS CHAIN SAW

Chain Brake

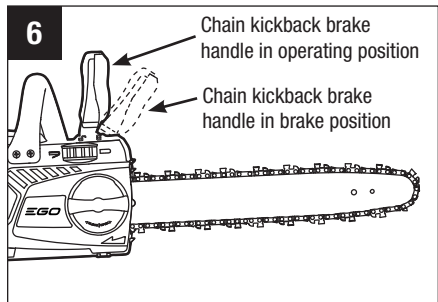
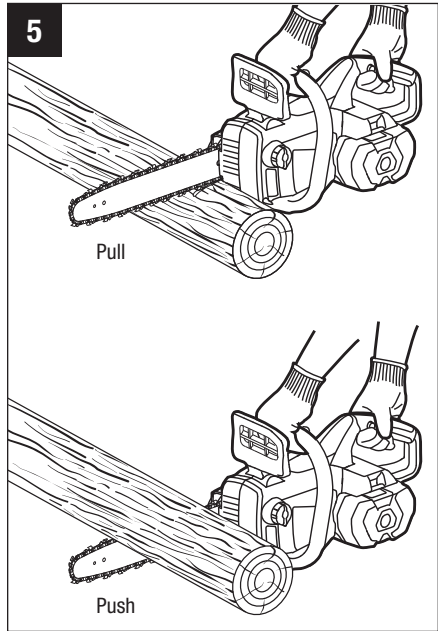
The chain saw comes equipped with a chain brake, which stops both the motor and the motion of the chain when kickback occurs. The chain brake can be activated by the forward motion of the chain kickback brake handle as the saw rotates backward during kickback; it can also be activated by the inertial forces generated during rapid pushback.

⚠ WARNING: Never modify or attempt to disable the chain brake.

Make sure that the chain brake is working properly before using the chain saw. The chain kickback brake handle should move back and forth easily.

To test the operation of the chain brake, perform the following steps (Fig. 6):

- Place the chain saw on a flat bare surface and make sure no objects or obstructions that could come in contact with the bar and chain are in the immediate vicinity.
- Disengage the chain brake by pulling the chain kickback brake handle towards the front handle.



- Start the chain saw.
- Push the chain kickback brake handle towards the front of the saw. A properly functioning hand brake will stop the movement of the chain immediately. If the chain brake is not working properly, do not use the chain saw until it has been repaired by a qualified service technician.

⚠ WARNING: Confirm that the chain brake works properly before each use.

⚠ WARNING: If the chain brake is clogged with wood chips, the function of the chain brake may deteriorate. Always keep the device clean.

Low Kickback Saw Chain

The rakers (depth gauges) ahead of each cutter can minimize the force of a kickback reaction by preventing the cutters from digging in too deeply at the kickback zone. Only use a replacement chain that is equivalent to the original chain or has been certified as a low kickback chain per ANSI B175.1. A low kickback tooth saw chain is a chain that has met the kickback performance requirements of ANSI B175.1 (American National Standard for Power Tools - Gasoline-Powered Chain Saws-Safety Requirements) when tested on the representative sample of chain saws below 3.8 c.i.d. specified in ANSI B175.1.

⚠ CAUTION: As saw chains are sharpened during their useful life, they lose some of the low kickback qualities and extra caution should be used.

GUIDE BAR

This saw comes equipped with a guide bar that has a small radius nose. Small radius noses generally have less potential for kickback. When replacing the guide bar, be sure to order the bar listed in this manual.

SAVE THESE INSTRUCTIONS!

GLOSSARY OF TERMS

Automatic Oiler: A system that automatically lubricates the guide bar and saw chain.

Bucking: The process of cross-cutting a felled tree or log into lengths.

Bucking Spikes: The pointed tooth or teeth for use when felling or bucking to pivot the saw and maintain position while sawing.

Chain Brake: A device used to stop the saw chain immediately.

Chain Saw Power Head: A chain saw without the saw chain or guide bar.

Drive Sprocket: The toothed part that drives the saw chain.

Felling: The process of cutting down a tree.

Felling Back Cut: The final cut in a tree felling operation made on the opposite side of the tree from the notching undercut.

Kickback: The backward or upward motion, or both, of the guide bar, which occurs when the saw chain near the nose of the top area of the guide bar contacts any object, such as a log or branch, or when the wood closes in and pinches the saw chain in the cut.

Low-Kickback Chain: A chain that complies with the kickback performance requirements of ANSIB175.1 when tested on a representative sample of chain saws.

Normal Cutting Position: Those positions assumed in performing the bucking and felling cuts.

Notching Undercut: A notch cut in a tree that directs the tree's fall.

Reduced Kickback Guide Bar: A guide bar which has been demonstrated to reduce kickback significantly.

INTRODUCTION

Congratulations on your selection of a new generation of 56V Lithium-ion powered chain saw. It has been designed, engineered and manufactured to give you the best possible dependability and performance.

Should you experience any problem you cannot easily remedy, please contact EGO customer service center 1-855-EGO-5656.

This manual contains important information on to the safe assembly, operation and maintenance of your chain saw. Read it carefully before using the chain saw.

Keep this manual handy so you can refer to it at any time.

SERIAL NUMBER _____	DATE OF PURCHASE _____
YOU SHOULD RECORD BOTH SERIAL NUMBER AND DATE OF PURCHASE AND KEEP IN A SAFE PLACE FOR FUTURE REFERENCE	

SPECIFICATIONS

Voltage	56V DC
Guide Bar Length	14" (350mm)
Chain Pitch	3/8" (9.5mm)
Chain Gauge	0.043" (1.1mm)
Chain Type	90PX052X (Oregon)
Guide Bar Type	144MLEA041 (Oregon)
Chain Oil Tank capacity	5 oz. (150 ml)
Weight (Without battery pack, chain sheath)	8.29 lb. (3.76Kg)

Recommended Bar and Chain for this Chain Saw

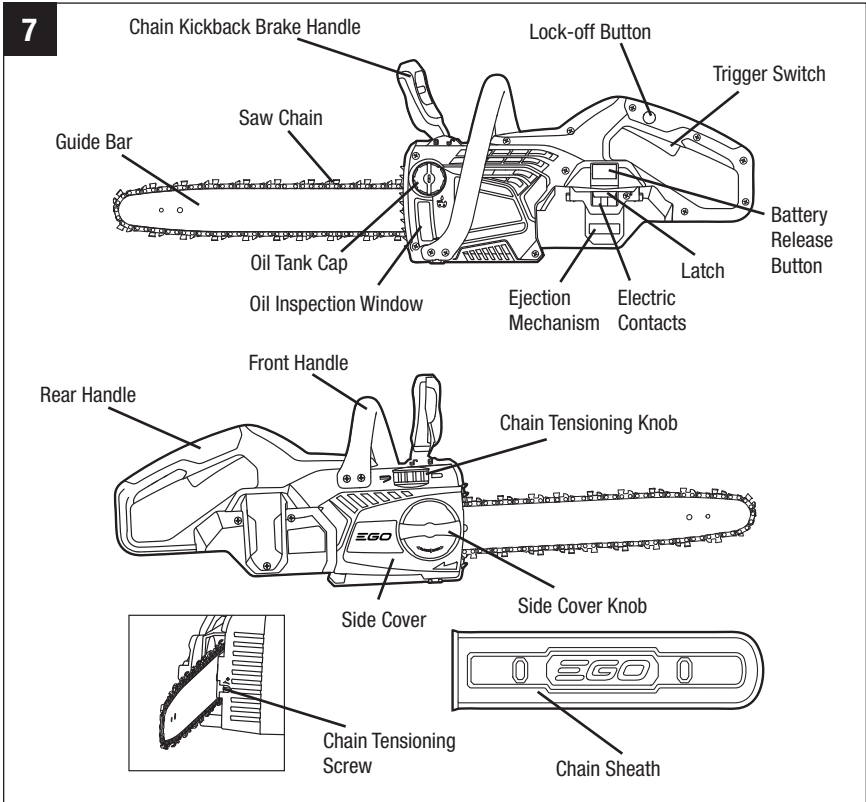
PART NAME	TYPE	PART NUMBER
Guide bar	14" 144MLEA041 (Oregon)	3705657000
Saw chain	90PX052X (Oregon)	3810637000

PACKING LIST

PART NAME	QUANTITY
Chain Saw	1
Chain sheath	1
Operator's manual	1

DESCRIPTION

KNOW YOUR CHAIN SAW (Fig. 7)



The safe use of this product requires an understanding of the information on the tool and in this operator's manual, as well as knowledge of the project you are attempting. Before use of this product, familiarize yourself with all operating features and safety rules.

Chain Kickback Brake Handle

Serves as the lever for chain brake activation. It also provides protection against projecting branches and helps prevent the left hand from touching the saw chain if it slips off the front handle.

Trigger Switch

Turns the chain saw On and Off.

Lock-off Button

Helps to prevent accidental or unauthorized activating of the trigger switch. It must be depressed before the trigger switch can be activated.

Oil Tank Cap

Seals the oil tank.

Oil Inspection Window

Provides a view the oil level.

Guide Bar

Supports and guides the saw chain.

Chain Sheath

The chain sheath keeps the operator from coming in contact with the sharp chain blades when the tool is not in use. It also helps keep the chain blades from being nicked or damaged when the tool is in transportation and storage.

Saw Chain

A loop of chain having cutting teeth that cut the wood when it is driven by the power-head and supported by the guide bar.

Front Handle

The support handle for the left hand at the front of the saw.

Rear Handle

The support handle for the right hand, located at the rear of the saw

Chain Tensioning Knob

Permits precise adjustment of chain tension.

Chain Tensioning Screw

Permits precise adjustment of the chain tension with a manual slotted screwdriver.

Side Cover

Covers the chain sprocket and secures the guide bar

Side Cover Knob

Locks/unlocks the side cover

Battery-Release Button

Press to release the battery pack from the tool.

Latch

Locks the battery pack in place when it is installed on the tool.

Ejection Mechanism

Aids in removing the battery.

Mounting Slot

Guides the battery pack.

ASSEMBLY

⚠ WARNING: If any parts are damaged or missing, do not operate this product until the parts are replaced. Use of this product with damaged or missing parts could result in serious personal injury.

⚠ WARNING: Do not attempt to modify this product or create accessories not recommended for use with this chain saw. Any such alteration or modification is misuse and could result in a hazardous condition leading to possible serious personal injury.

⚠ WARNING: To prevent accidental starting that could cause serious personal injury, always remove the battery pack from the tool when assembling parts.

UNPACKING

This product has been shipped completely assembled.

- Carefully remove the product and any accessories from the box. Make sure that all items listed in the packing list are included.
- Inspect the tool carefully to make sure no breakage or damage occurred during shipping.
- Do not discard the packing material until you have carefully inspected and satisfactorily operated the tool.
- If any parts are damaged or missing, please contact EGO Customer Service for assistance.

OPERATION

⚠ WARNING: Do not allow familiarity with this product to make you careless. Remember that a careless fraction of a second is sufficient to inflict serious injury.

⚠ WARNING: Always wear eye protection with side shields marked to comply with ANSI Z87.1, along with hearing protection. Failure to do so could result in objects being thrown into your eyes and other possible serious injuries.

⚠ WARNING: Do not use any attachments or accessories not recommended by the manufacturer of this product. The use of attachments or accessories not recommended can result in serious personal injury.

Before each use, inspect the entire product for damaged, missing, or loose parts, such as screws, nuts, bolts, caps, etc. Securely tighten all fasteners and caps and do not operate this product until all missing or damaged parts are replaced.

APPLICATION

You may use this product for basic felling, limbing, pruning and woodcutting of lumber and trees.

FILLING BAR AND CHAIN LUBRICANT

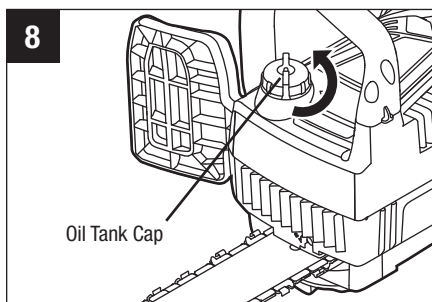
⚠ WARNING: To prevent accidental starting that could cause serious personal injury, always remove the battery pack from the tool before filling oil.

⚠ WARNING: Do not smoke or bring any fire or flame near the oil or the chain saw. Oil may spill and cause a fire.

NOTICE: The chain saw is not filled with oil at the time of purchase. It is essential to fill the tank with oil before use. Operating the chain saw without chain oil or when the oil level is below the minimum mark will result in damage to the chain saw. Chain life and cutting capacity depend on optimum lubrication. The chain is automatically lubricated with chain oil during operation.

1. Remove the battery pack from the chain saw.
2. Clean the oil tank cap and the area around it to ensure that no dirt falls into the oil tank.

3. Position the chain saw on its side on a firm, flat surface, so that the tank cap is facing upwards. Rotate the oil tank cap counterclockwise to remove it (Fig. 8).



4. Carefully pour the bar and chain oil into the tank. The filter in the opening allows the oil to seep slowly into the tank; be careful not to let the oil spill from the opening. Fill to the bottom of the fill neck. Wipe off any excess oil.
5. Replace the cap, place the saw upright, and view the level through the oil inspection window. Oil should fill the window.

NOTICE:

- Use OREGON® bar and chain oil for best results. It is specially designed to provide low friction and faster cuts.
- Never use oil or other lubricants not specifically designed for use on the bar and chain. This can lead to a clogged oil system, which may cause premature wear of the bar and chain.
- Check the oil level frequently and fill when the oil level falls below the minimum line. Never operate the chain saw if the oil is not visible.
- Do not use dirty, used or otherwise contaminated oils. Damage may occur to the bar or chain.
- There is a filter inserted in the opening of the oil tank to filtrate dirt and debris. **DO NOT** remove the filter when filling the oil tank.
- It is normal for oil to seep from the saw when not in use. To prevent seepage, empty the oil tank after each use, and then run for one minute. When storing the tool for a long period of time, be sure the chain is lightly lubricated; this will prevent rust on the chain and bar sprocket.
- To preserve natural resources, please recycle or dispose of oil properly. Consult your local waste authority for information regarding available recycling and disposal options.

TO INSTALL/REMOVE BATTERY PACK (Fig. 9 & 10)

NOTICE: Fully charge the battery pack before its first use.

To Install (Fig. 9)

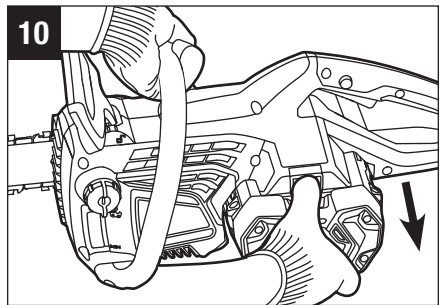
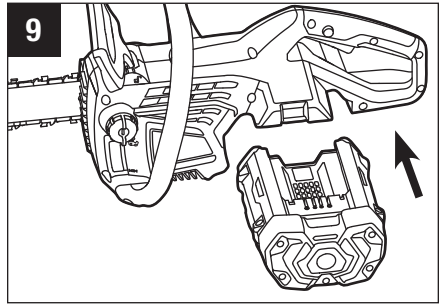
1. Align the ribs of the battery pack with the mounting slots in the chain saw's battery port.
2. Slide the battery pack into the tool until it snaps into position.

NOTICE: Make sure that the latch on the chain saw snaps into place and the battery pack is secured to the tool before beginning operation.

To Remove (Fig. 10)

⚠ WARNING: Always be aware for the location of your feet, children, or pets when pressing the battery-release button. Serious injury could result if the battery pack falls. **NEVER** remove the battery pack at a high location.

1. Hold the battery pack in the palm of your hand.
2. Press the battery release button with your thumb; the battery pack will disengage from the latch.
3. Grasp the battery pack and remove it from the chain saw.



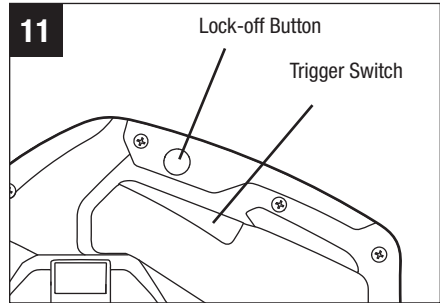
STARTING/STOPPING THE CHAIN SAW

Before Starting the Chain Saw:

1. Make sure that the chain is properly mounted and correctly tensioned.
2. Lift the tip of the guide bar up to check for any sagging in the chain. The chain is correctly tensioned when there is no sag on the underside of the guide bar and the chain is snug, but it can be turned by hand without binding. If the tension requires adjustment, refer to the section: "REPLACING THE BAR AND CHAIN" in the Maintenance of this manual for adjustment instructions.
3. Check the tension of the side cover knob before use. If it is loose, securely tighten the side cover knob by turning it clockwise.
4. Check the oil level and fill the tank as needed.
5. Check the cutting teeth sharpness of the saw chain.
6. Make sure the chain is well lubricated.
7. Make sure the chain kickback brake handle moves easily to the brake position, then pull the chain kickback brake handle back towards the front handle to the operating position.
8. Stand upright and hold the chain saw in a relaxed position.
9. Make sure the saw chain is not touching the ground or any other objects.
10. Hold the chain saw with both hands: with the right hand on the rear handle and the left hand on the front handle.
11. Make sure that you have a secure and balanced footing. Watch out for obstacles such as tree stumps, roots and ditches, which could cause you to trip or stumble.

To Start the Chain Saw (Fig. 11)

1. Make sure no objects or obstructions are in the immediate vicinity which could come in contact with the bar and chain.
2. Pull the chain kickback brake handle towards the front handle to the operating position (Fig. 6).
3. Grasp the front and rear handles firmly, using both hands.
4. Press and hold the lock-off button with the thumb of your right hand, then squeeze the trigger switch with the fingers of your right hand to start the saw. Release the lock-off button and continue to squeeze the trigger for continued operation.



⚠ WARNING: Do not attempt to start the saw when the saw chain is in a cut.

To Stop the Chain Saw

1. Move the chain saw away from cutting area and release the trigger switch to stop the chain saw.
2. Push the chain kickback brake handle forward to the brake position to engage the chain brake (Fig. 6).

⚠ WARNING: Always remove the battery pack from the chain saw during work breaks and after finishing work.

PREPARATION FOR CUTTING

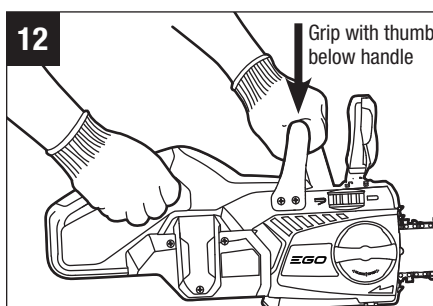
Refer to “Important Safety Instructions” earlier in this manual for appropriate safety equipment.

Work Area Precautions

- Cut only wood or materials made from wood; do not cut sheet metal, plastics, masonry, or non-wood building materials.
- Never allow children to operate the chain saw.
- Allow no person to use this chain saw who has not read this Operator's Manual or received adequate instructions for the safe and proper use of this chain saw.
- When felling a tree, keep everyone - helpers, bystanders, children, and animals - a safe distance from the cutting area. During felling operations, the safe distance should be a least twice the height of the largest trees in the felling area. During bucking operations, keep a minimum distance of 15 feet (4.5 m) between workers. Trees should not be felled in a manner that would endanger any person, strike any utility line or cause any property damage. If a tree does make contact with any utility line, the utility company should be notified immediately.
- Always cut with both feet on solid ground to prevent being pulled off balance.
- Do not cut above chest height, as a saw held higher is difficult to control against kickback forces.
- Do not fell trees near electrical wires or buildings.
- Cut only when visibility and light are adequate for you to see clearly.

Proper Grip On Handles

- Wear non-slip gloves for maximum grip and protection.
- With the saw on a firm, flat surface, hold the saw firmly with both hands.
- Always grasp the front handle with the left hand and the rear handle with the right.
- The fingers should encircle the handle, with the thumb wrapped under the front handle (Fig. 12).

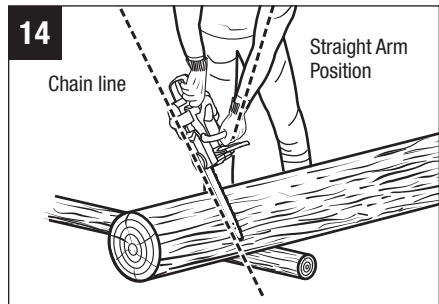
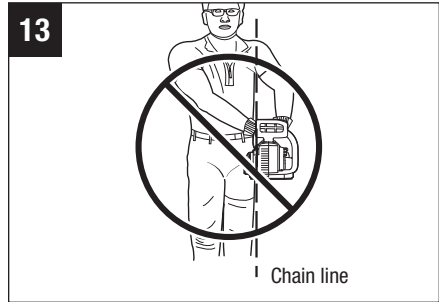


⚠ WARNING: Never use a left-handed (cross-handed) grip, or any stance which would place your body or arm across the chain line.

⚠ WARNING: Do not operate the trigger switch with your left hand and hold the front handle with your right hand. Never allow any part of your body to be in the chain line while operating a saw (Fig. 13).

Proper Cutting Stance (Fig. 14)

- Both feet should be on solid ground, with weight evenly spread between them.
- The left arm should be straight, with the elbow locked. This helps to withstand the forces generated by kickback.
- Your body should always be to the left of the chain line.



CUTTING

Basic Cutting

⚠ WARNING: Always be sure of your footing and hold the chain saw firmly with both hands while the motor is running.

Practice cutting a few small logs using the following technique to get the “feel” of using your saw before you begin a major sawing operation.

1. Take the proper stance in front of the wood with the saw off.
2. Press the lock-off button and squeeze the trigger to start the chain saw. Let the chain reach the full speed before beginning the cut.
3. Begin cutting by lightly pressing the guide bar against the wood. Use only light pressure, letting the saw do the work.
4. Maintain a steady speed throughout the cut, releasing pressure just before the end of the cut.
5. Release the trigger as soon as the cut is completed, allowing the chain to stop.

⚠ WARNING: When the saw chain is stopped due to pinching during cutting, release the trigger switch; remove the saw chain and guide bar from the wood, then restart the chain saw.

⚠ WARNING: Do not pull the saw chain with hand when it is bound by the sawdust. Serious injury could result if the chain saw starts accidentally. Press the saw chain against the wood, move the chain saw back and forth to discharge the debris. Always remove the battery pack before cleaning. Wear heavy protective gloves when handling the saw chain.

⚠ WARNING: Never start the chain saw when it is in contact with the wood. Always allow the chain saw reach full speed before applying the saw to the wood.

FELLING A TREE

Hazardous Conditions

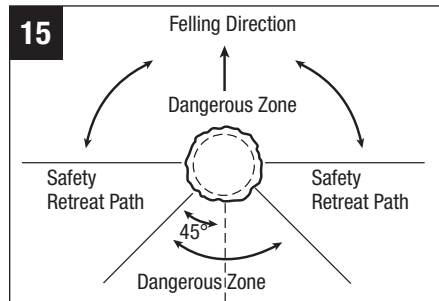
⚠ WARNING: When felling a tree, it is important that you heed the following warnings to prevent possible serious injury.

- Do not fell trees during periods of high wind or heavy precipitation. Wait until the hazardous weather has ended.
- Do not fell trees that lean at extreme angles or large trees with rotten limbs, loose bark, or hollow trunks. Instead, have these trees pushed or dragged down with heavy equipment and then cut them up.
- Do not fell trees near electrical wires or buildings.
- Check the tree for damaged or dead branches that could fall and hit you during felling.
- Periodically glance at the top of the tree during the back cut to assure the tree is going to fall in the desired direction.
- If the tree starts to fall in the wrong direction, or if the saw gets caught or hung up during the fall, leave the saw and save yourself!

Preparation For Tree Felling

- When bucking and felling operations are being performed by two or more persons at the same time, the felling operation should be separated from the bucking operation by a distance of at least twice the height of the tree being felled. Trees should not be felled in a manner that would endanger any person, strike any utility line or cause any property damage. If the tree does make contact with any utility line, the utility company should be notified immediately.
- The chain saw operator should stand on the uphill side of the terrain, as the tree is likely to roll or slide downhill after it is felled.

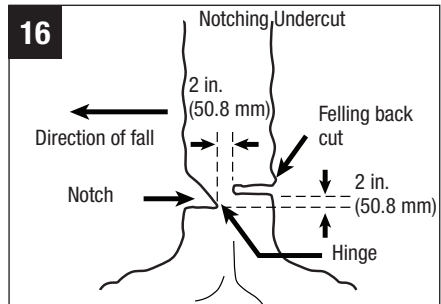
- Before any cuts are started, pick your escape route (or routes, in case the intended route is blocked). Clear the immediate area around the tree and make sure that there are no obstructions in your planned paths of retreat. Clear a path of safe retreat approximately 135° from the planned line of fall. The retreat path should extend back and diagonally to the rear of the expected line of fall. See Figure 15.



- Before felling is started, consider the natural lean of the tree, the location of larger branches and the wind direction to judge which way the tree will fall.
- Remove dirt, stones, loose bark, nails, staples, and wire from the tree where felling cuts are to be made.

Notching undercut

Make the notch 1/3 the diameter of the tree, perpendicular to the direction of fall, as illustrated in Fig. 16. Make the lower horizontal notching cut first. This will help to avoid pinching of either the saw chain or the guide bar when the second notch is being made.



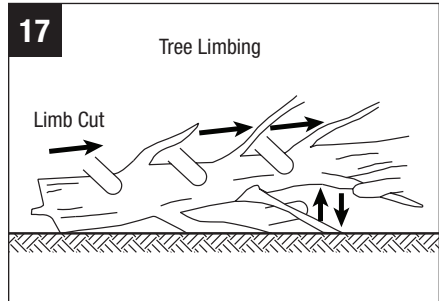
Felling Back Cut

1. Make the felling back cut at least 2 inches (50.8 mm) higher than the horizontal notching cut (Fig. 16). Keep the felling back cut parallel to the horizontal notching cut. Make the felling back cut so that enough wood is left to act as a hinge. The hinge wood keeps the tree from twisting and falling in the wrong direction. Do not cut through the hinge.
2. As the felling cut gets close to the hinge, the tree should begin to fall. If there is any chance that the tree may not fall in the desired direction or it may rock back and bind the saw chain, stop cutting before the felling back cut is complete and use wedges of wood, plastic or aluminum to open the cut and drop the tree along the desired line of fall.
3. When the tree begins to fall, remove the chain saw from the cut, stop the motor, put the chain saw down, then use the retreat path planned. Be alert for overhead limbs falling and watch your footing.

LIMBING

Limbing is removing branches from a fallen tree. When limbing, leave larger limbs to support the log off the ground. Remove the small limbs in one cut as illustrated in Fig. 17. Branches under tension should be cut from the bottom up to avoid binding the chain saw.

⚠ WARNING: There is an extreme danger of kickback during the limbing operation. Be extremely cautious and avoid contacting the log or other limbs with the tip of the guide bar.



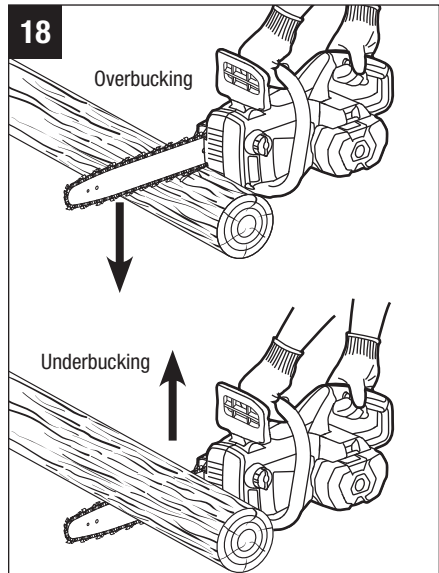
BUCKING A LOG (Fig. 18):

Bucking is cutting a log into lengths. It is important to make sure your footing is firm and your weight is evenly distributed on both feet. When possible, the log should be raised and supported by the use of limbs, logs or chocks. Follow the simple directions for easy cutting.

⚠ WARNING: Keep a clear cutting area. Make sure that no objects can contact the guide bar nose and chain during cutting; this can cause kickback.

Overbuckling

Begin on the top side of the log with the bottom of the saw against the log; exert light pressure downward. Note that the saw will tend to pull away from you.

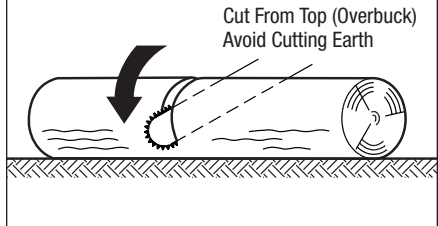


Underbucking

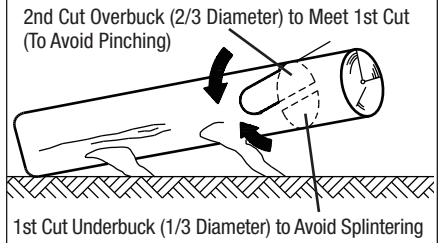
Begin on the underside of the log with the top of the saw against the log; exert light pressure upward. During underbucking, the saw will tend to push back at you. Be prepared for this reaction and hold the saw firmly to maintain control.

- When the log is supported along its entire length, it should be cut from the top (overbucking) (Fig. 19).
- When the log is supported on only one end, cut 1/3 the diameter from the underside (underbucking). Then make the finishing cut by overbucking to meet the first cut (Fig. 20).
- When the log is supported on both ends, cut 1/3 of that diameter from the top overbuck. Then make the finished cut by underbucking the lower 2/3 to meet the first cut (Fig. 21).

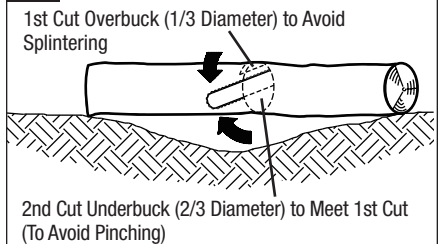
19 Log Supported Along the Entire Length



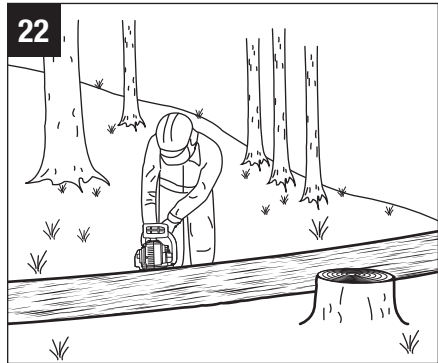
20 Log Supported One End



21 Log Supported Both Ends



- When bucking on a slope, always stand on the uphill side of the log (Fig. 22).
- To maintain complete control when cutting through, release the cutting pressure near the end of the cut without relaxing the grip on the chain saw handles. Don't allow the chain to contact the ground. After completing the cut, wait for the saw chain to stop before you move the chain saw. Always stop the motor before moving from tree to tree.



MAINTENANCE

⚠ WARNING: When servicing, use only identical replacement parts. Use of any other parts may create a hazard or cause product damage.

⚠ WARNING: Always wear safety goggles or safety glasses with side shields during power tool operation or when blowing dust. If the operation is dusty, also wear a dust mask.

⚠ WARNING: To avoid serious personal injury, remove the battery pack from the chain saw before inspecting, cleaning, or performing maintenance. A battery operated tool with the battery pack inserted is always on and can start accidentally.

⚠ WARNING: When cleaning the chain saw, DO NOT immerse in water or other liquids.

⚠ WARNING: Do not at any time let brake fluids, gasoline, petroleum-based products, penetrating oils, etc., come in contact with plastic parts. Chemicals can damage, weaken, or destroy plastic, which may result in serious personal injury.

CLEANING

- After each use, clean debris from the chain and guide bar with a soft brush. Wipe the chain saw surface with a clean cloth moistened with a mild soap solution.
- Remove the side cover, and then use a soft brush to remove debris from the guide bar, saw chain, sprocket and side cover.
- Always clean out wood chips, saw dust, and dirt from the guide bar groove when replacing the saw chain.

REPLACING THE BAR AND CHAIN

⚠ WARNING: Before performing any maintenance, make sure that the battery pack is removed. Failure to heed this warning could result in serious personal injury.

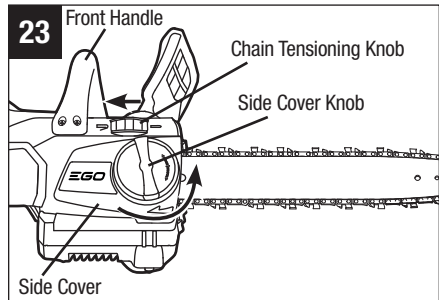
⚠ WARNING: Always wear gloves when handling the bar and chain; these components are sharp and may contain burrs.

⚠ WARNING: Never touch or adjust the chain while the motor is running. The saw chain is very sharp; always wear protective gloves when performing maintenance to the chain.

NOTICE: When replacing the guide bar and chain, always use the specified bar and chain combination listed in the later section: **“Recommended Bar and Chain for this Chain Saw”**.

Disassembling the Worn Bar and Chain

1. Remove the battery, allow the saw to cool and tighten the oil tank cap.
2. Position the chain saw on its side on a firm, flat surface, so that the side cover is facing upwards (Fig. 23).
3. Wear gloves. Remove the side cover by turning the side cover knob counterclockwise (Fig. 23). Clean the side cover with a dry cloth.
4. Turn the chain tensioning knob towards the front handle as far as it will go (Fig. 23). Remove the bar and chain from the mounting surface. Remove the worn chain from the bar.

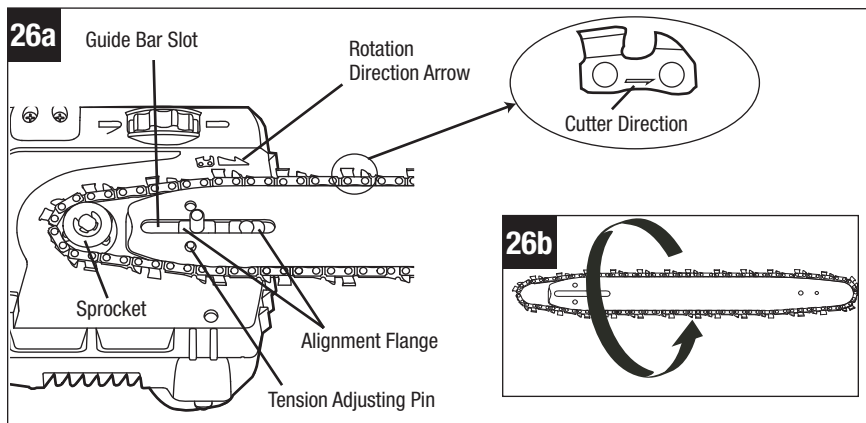
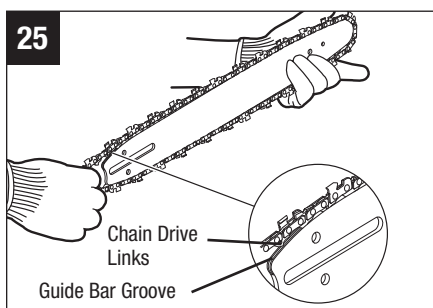
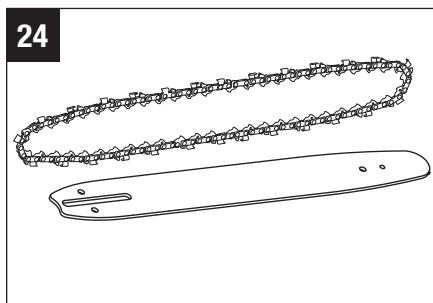


NOTICE: This is a good time to inspect the drive sprocket for excessive wear or damage.

Assembling The New Bar and Chain

1. Remove the battery, allow the saw to cool and tighten the oil tank cap.
2. Lay the new saw chain in a loop on a flat surface and straighten any kinks (Fig. 24).
3. Place the chain drive links into the guide bar groove. Position the chain so there is a loop at the back of the guide bar (Fig. 25).
4. Hold the chain in position on the guide bar and place the loop around the sprocket of the power head.

NOTICE: Small directional arrows are engraved in the saw chain (Fig. 26a). Another directional arrow is molded into the housing (Fig. 26a). When looping the saw chain onto the sprocket, make sure that the direction of the arrows on the saw chain will correspond to the direction of the arrow on the housing. If they face in opposite directions, turn over the saw chain and guide bar assembly (Fig. 26b.)

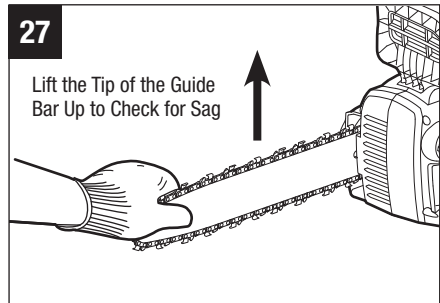


5. Place the guide bar on the mounting surface by sliding the guide bar slot over the alignment flanges, making sure that the tension adjusting pin is inserted in the lower hole in the tail of the bar (Fig. 26a).
6. Replace the side cover and lightly tighten the side cover knob by turning it clockwise. The bar must be free to move for tension adjustment.

NOTICE: To extend the guide bar life, invert the bar occasionally.

⚠ CAUTION: The saw chain must be properly tensioned before using.

7. Remove all the slack from the chain by turning the chain tensioning knob clockwise until the chain seats snugly against the guide bar with the drive links in the guide bar groove.
8. Lift the tip of the guide bar up to check for sag (Fig. 27). Release the tip of the guide bar and turn the chain tensioning knob once clockwise. Repeat this process until the sag is eliminated.
9. Hold the tip of the guide bar up and tighten the side cover knob securely. The chain is correctly tensioned when there is no sag on the underside of the guide bar and the chain is snug, but it can be turned by hand without binding.



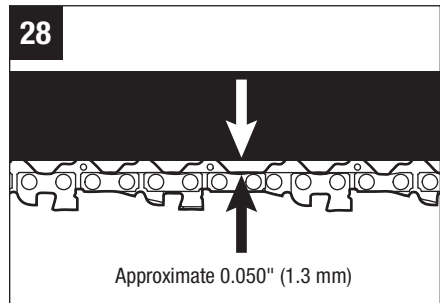
NOTICE: If chain is too tight, it will not rotate. Loosen the side cover knob slightly and turn the tensioning knob once from right to left. Lift the tip of the guide bar up and retighten the side cover knob securely. Assure that the chain will rotate without binding.

Adjusting The Chain Tension

1. Stop the motor and remove the battery pack before adjusting the chain tension.
 2. Loosen the side cover knob.
 3. Turn the chain tensioning knob clockwise to tension the chain. See the section: "REPLACING THE BAR AND CHAIN" in this manual for additional information.
- A cold chain is correctly tensioned when there is no slack on the underside of the guide bar and the chain is snug, but it can be turned by hand without binding. The chain must be re-tensioned whenever the flats on the drive links do not sit in the bar groove.
 - During normal saw operation, the temperature of the chain will increase. The drive links of a correctly tensioned warm chain will hang approximately 0.050 in. (1.3 mm) out of the bar groove (Fig. 28).

NOTICE: New chains tend to stretch; check chain tension frequently and tension as required.

NOTICE: A chain tensioned while it is warm may be too tight upon cooling. Check the cold tension before next use.



CHAIN MAINTENANCE

⚠ WARNING: Remove the battery pack before performing any maintenance; failure to heed this warning could result in serious personal injury.

⚠ WARNING: Always wear gloves when handling the saw chain; these components are sharp and may contain burrs.

Use only low-kickback chains on this saw. This fast cutting chain will provide kickback reduction when properly maintained.

A properly sharpened saw chain cuts through wood effortlessly, even with very little pressure.

Never use a dull or damaged saw chain. A dull saw chain cutter leads to increased physical strain, increased vibration load, unsatisfactory cutting results and increased wear.

For smooth and fast cutting, the chain needs to be maintained properly. The chain requires sharpening when the wood chips are small and powdery, the chain must be forced through the wood during cutting, or the chain cuts to one side. During maintenance of your chain, consider the following:

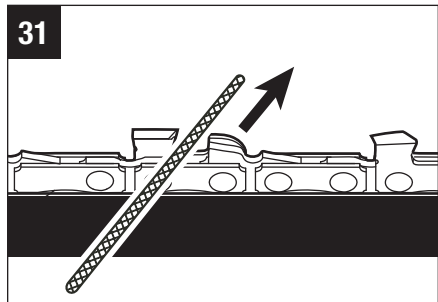
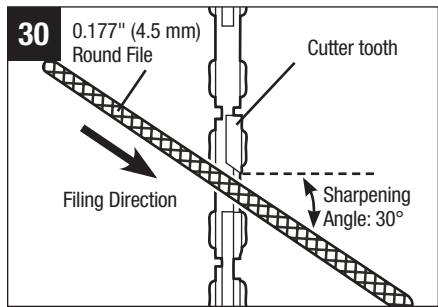
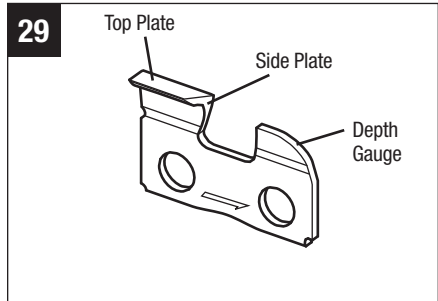
- Improper filing angle of the side plate can increase the risk of a severe kickback.
- Raker (depth gauge) clearance. Too low increases the potential for kickback. Not low enough decreases cutting ability.
- If cutter teeth have hit hard objects, such as nails and stones, or have been abraded by mud or sand on the wood, have the chain sharpened by a qualified service technician.

NOTICE: Inspect the drive sprocket for wear or damage when replacing the chain. If signs of wear or damage are present in the areas indicated, have the drive sprocket replaced by qualified service technician.

How To Sharpen The Cutters

Be careful to file all cutters (Fig. 29) to the specified angles and to the same length, as fast cutting can be obtained only when all cutters are uniform.

1. Remove the battery pack. Wear gloves for protection.
2. Properly tension the chain prior to sharpening. Refer to the section: **“ADJUSTING THE CHAIN TENSION”** earlier in this manual.
3. Use a 0.177" (4.5 mm) diameter round file and holder (available separately). Do all of your filing at the middle position of the guide bar.
4. Keep the file level with the top plate of the tooth. Do not let the file dip or rock.
5. Keep a correct sharpening angle of 30° between the file and the saw chain; see Fig. 30 & 31. Always use a file holder (available separately) when sharpening saw chains by hand. File holders have markings for the sharpening angle.
6. Using light but firm pressure, stroke towards the front corner of the tooth. Lift the file away from the steel on each return stroke.

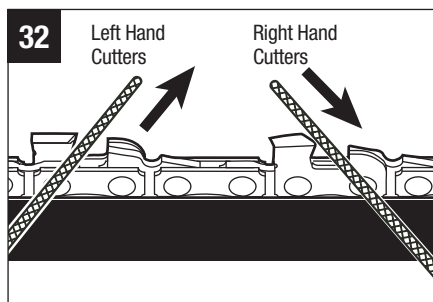


7. Make a few firm strokes on every tooth. File all left hand cutters in one direction. Then move to the other side and file the right hand cutters in the opposite direction. Occasionally remove filings from the file with a wire brush (Fig. 32).

⚠ WARNING: A dull or improperly sharpened chain can cause excessive motor speed during cutting, which may result in severe motor damage.

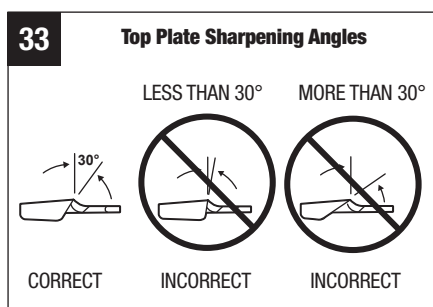
⚠ WARNING: Improper chain sharpening increases the potential of kickback.

⚠ WARNING: Failure to replace or repair a damaged chain can cause serious injury.



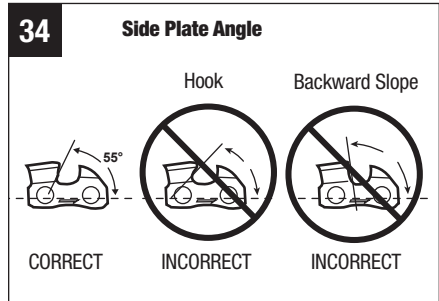
Top Plate Sharpening Angles (Fig. 33)

- **CORRECT 30°**- This optimal angle can be obtained only when the specified files and proper setting are used. File holders are marked with guide marks to align the file properly to produce the correct top plate angle.
- **LESS THAN 30°**- The tooth is too dull for cutting.
- **MORE THAN 30°**- The edge of the cutting tooth is feathered and dulls quickly.



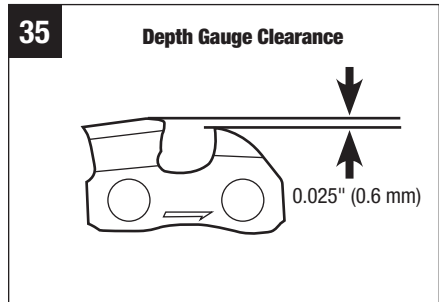
Side Plate Angle (Fig. 34)

- **CORRECT 55°**- The optimal angle can be produced automatically if the correct diameter file is used in the file holder.
- **HOO**K- “Grabs” and dulls quickly. Increases potential of KICKBACK. Results from using a file with a diameter that is too small, or a file held too low.
- **BACKWARD SLOPE**- Needs too much feed pressure, causes excessive wear to bar and chain. Results from using a file with a diameter too large, or a file held too high.



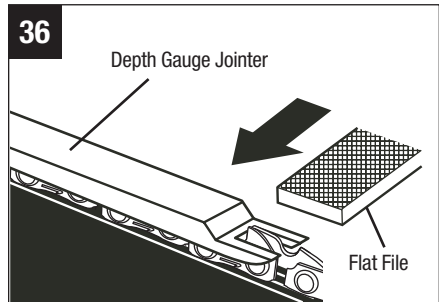
Depth Gauge Clearance

1. The depth gauge should be maintained at a clearance of 0.025 in. (0.6 mm), as shown in Fig. 35 . Use a depth gauge tool (available separately) for checking the depth gauge clearances.
2. Every time the chain is filed, check the depth gauge clearance.



Use a flat file and a depth gauge jointer (both available separately) to lower all gauges uniformly (Fig. 36). Depth gauge jointers are available in 0.020 in. to 0.035 in. (0.5 mm to 0.9 mm). Use a 0.025 in. (0.6 mm) depth gauge jointer.

Depth gauges must be adjusted with the flat file in the same direction the adjoining cutter was filed with the round file. Use care not to contact the cutter face with the flat file when adjusting depth gauges.

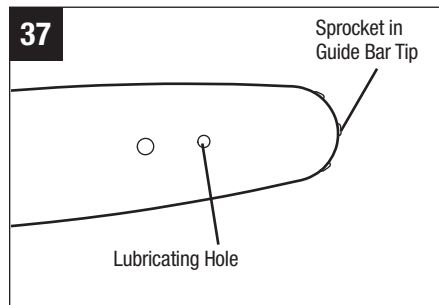


GUIDE BAR MAINTENANCE

When the guide bar shows signs of wear, reverse it on the saw to distribute the wear for maximum bar life. The bar should be cleaned every day of use and checked for wear and damage. Feathering or burring of the bar rails is a normal process of bar wear. Such faults should be smoothed with a file as soon as they occur. A bar with any of the following faults should be replaced.

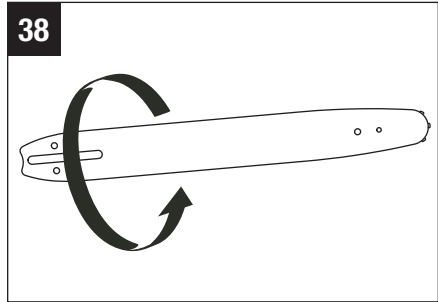
- Wear inside the bar rails which permits the chain to lay over sideways.
- Bent guide bar.
- Cracked or broken rails.
- Spread rails.

In addition, the guide bar has a sprocket at its tip. The sprocket must be lubricated weekly with a grease syringe to extend the guide bar life. Use a grease syringe to lubricate weekly with chain oil by means of the lubricating hole (Fig. 37). Turn the guide bar and check that the lubrication holes and chain groove are free from impurities.



Reversing The Guide Bar

1. Remove the guide bar and chain from the chain saw, following the section: **“REPLACING THE BAR AND CHAIN”**.
2. Remove the chain from the guide bar and turn the guide bar over (Fig. 38). The bottom of the bar will be on the top.
3. Replace the chain on the bar.
4. Reassemble the guide bar and chain on the chain saw and adjust the chain tension, following the section: **“REPLACING THE BAR AND CHAIN”** and **“ADJUSTING THE CHAIN TENSION”**.



TRANSPORTING AND STORING

- Do not store or transport the chain saw when it is running. Always remove the battery pack before storing or transporting.
- Always place the guide bar sheath on the guide bar and chain before storing or transporting the chain saw. Use caution to avoid the sharp teeth of the chain.
- Clean the chain saw thoroughly before storing. Store the chain saw indoors, in a dry place that is locked and/or inaccessible to children.
- Keep away from corrosive agents such as garden chemicals and de-icing salts.

TROUBLESHOOTING

⚠ WARNING: Always protect your hands by wearing heavy gloves when performing any maintenance on the saw chain. Always remove the battery pack when servicing or transporting the chain saw.

PROBLEM	CAUSE	SOLUTION
Motor does not run.	<ul style="list-style-type: none"> ■ The battery pack is not attached to the chain saw. ■ There is no electrical contact between the saw and battery. ■ The battery pack is depleted. ■ The battery pack or chain saw is too hot. ■ The lock-off button is not depressed before pressing the trigger switch. ■ Chain brake is engaged. ■ Saw chain is bound in the wood. ■ Debris in bar groove. ■ Debris in side cover. 	<ul style="list-style-type: none"> ■ Attach the battery pack to the chain saw. ■ Remove the battery, check contacts and reinstall the battery pack. ■ Charge the battery pack. ■ Allow the battery pack or chain saw to cool until the temperature drops below 152°F (67°C). ■ Press down the lock-off button and hold it, then depress the trigger switch to turn on the chain saw. ■ Pull the chain kickback brake handle backward toward the front handle. ■ Release the trigger switch; remove the saw chain and guide bar from the wood, then restart the chain saw. ■ Press the saw chain against the wood, move the chain saw back and forth to discharge the debris. ■ Remove battery pack, then remove side cover and clean out debris.
Motor runs, but chain does not rotate.	<ul style="list-style-type: none"> ■ Chain does not engage drive sprocket. 	<ul style="list-style-type: none"> ■ Reinstall the chain, making sure that the drive links on the chain are fully seated on the sprocket.

<p>Chain brake does not engage.</p>	<ul style="list-style-type: none"> ■ Debris preventing full movement of the chain kickback brake handle. ■ Possible chain brake malfunction. 	<ul style="list-style-type: none"> ■ Clean debris from external chain brake mechanism. ■ Contact EGO Customer Service.
<p>Chain saw does not cut properly.</p>	<ul style="list-style-type: none"> ■ Insufficient chain tension. ■ Dull chain. ■ Chain installed backwards. ■ Worn chain. ■ Dry or excessively stretched chain. ■ Chain not in bar groove. 	<ul style="list-style-type: none"> ■ Readjust the chain tension, following the section: “ADJUSTING THE CHAIN TENSION”. ■ Sharpen the chain cutters, following the section: “HOW TO SHARPEN THE CUTTERS”. ■ Reinstall the saw chain, following the section: “REPLACING THE BAR AND CHAIN”. ■ Replace the chain, following the section: “REPLACING THE BAR AND CHAIN”. ■ Check the oil level. Refill the oil tank if necessary. ■ Reinstall the saw chain, following the section: “REPLACING THE BAR AND CHAIN”.
<p>Bar and chain running hot and smoking.</p>	<ul style="list-style-type: none"> ■ Check chain tension for over tightened condition. ■ Chain oil tank is empty. ■ Debris in guide bar groove. 	<ul style="list-style-type: none"> ■ Re-tension the saw chain; see the section: “ADJUSTING THE CHAIN TENSION”. ■ Filling bar and chain lubricant. ■ Clear the debris in the groove.



WARRANTY

EGO WARRANTY POLICY

5 year limited warranty on EGO outdoor power equipment and 3 year limited warranty on EGO Power+ System battery packs and chargers.

Please contact EGO Customer Service Toll-Free at 1-855-EGO-5656 any time you have questions or warranty claims.

LIMITED SERVICE WARRANTY

FOR FIVE YEARS from the date of original retail purchase, this EGO product is warranted against defects in material or workmanship. Defective product will receive free repair.

FOR THREE YEARS from the date of original retail purchase, the EGO Power+ System battery pack and charger are warranted against defects in material or workmanship.

Defective product will receive free repair.

This warranty does not cover routine maintenance parts and consumables, such as the saw chain and guide bar that can wear out from normal use within the warranty period.

- a) This warranty applies only to the original purchaser at retail and may not be transferred.
- b) The warranty period for any EGO product or part used for industrial, professional or commercial purpose is one year.
- c) This warranty is void if the product has been used for rental purpose.
- d) This warranty does not cover the damage resulting from modification, alteration or unauthorized repair.
- e) This warranty only covers defects arising under normal usage and does not cover any malfunction, failure or defect resulting from misuse, abuse (including overloading of the product beyond capacity and exposure to water or rain), accidents, neglect or lack of proper installation, and improper maintenance or storage.
- f) This warranty does not cover normal deterioration of the exterior finish, including but not limited to scratches, dents, paint chips, or to any corrosion or discoloring by heat, abrasive and chemical cleaners.

HOW TO OBTAIN SERVICE

For warranty service, please contact EGO customer service toll-free at 1-855-EGO-5656. When requesting warranty service, you must present the original dated sales receipt. An authorized service center will be selected to repair the product according to the stated warranty terms.

ADDITIONAL LIMITATIONS

To the extent permitted by applicable law, all implied warranties, including warranties of MERCHANTABILITY or FITNESS FOR A PARTICULAR PURPOSE, are disclaimed. Any implied warranties, including warranties of merchantability or fitness for a particular purpose, that cannot be disclaimed under state law are limited to five years from the date of purchase for outdoor power equipment and three years from date of purchase for battery pack and charger.

Chervon North America is not responsible for direct, indirect, incidental or consequential damages.

Some states do not allow limitations on how long an implied warranty lasts and/or do not allow the exclusion or limitation of incidental or consequential damages, so the above limitations may not apply to you.

This warranty gives you specific legal rights, and you may also have other rights which vary from state to state.

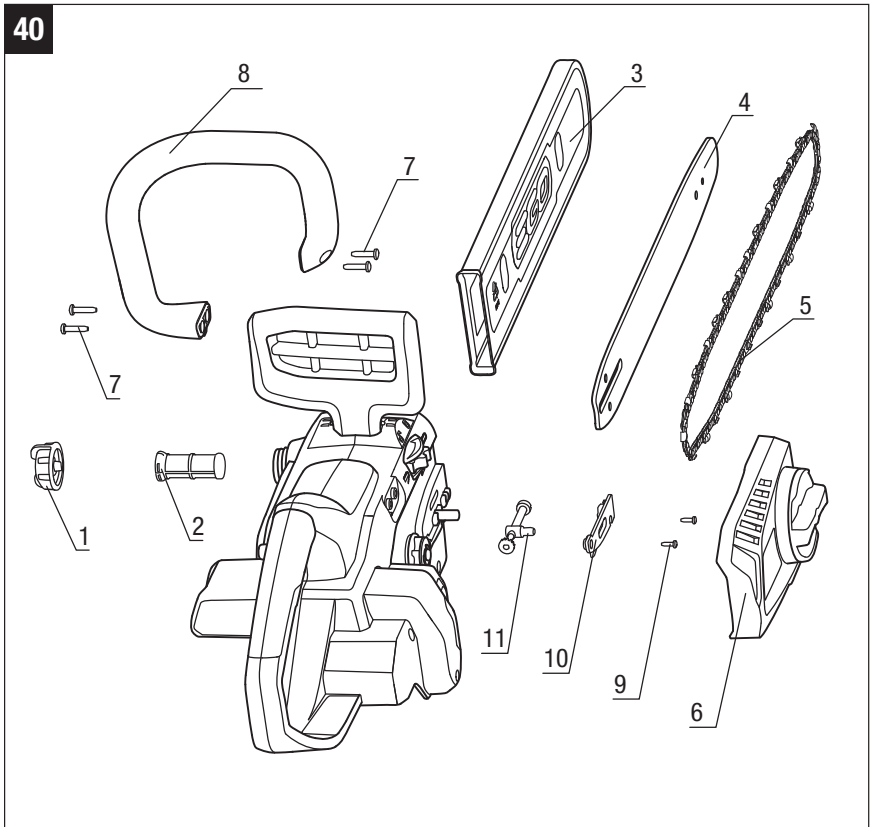
For customer service contact us toll-free at:1-855-EGO-5656 or EGOPOWERPLUS.COM

EGO Customer Service, 120 Ionia Street SW / Suite 102 Grand Rapids, MI 49503

PARTS LIST

56V LITHIUM-ION CORDLESS CHAIN SAW MODEL NUMBER CS1400

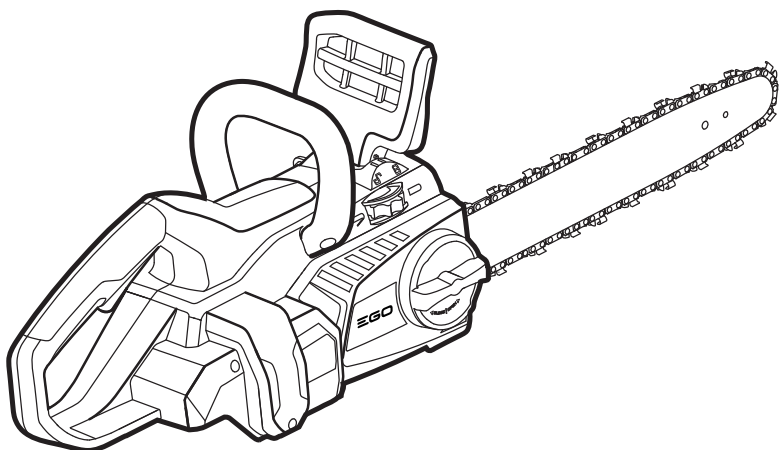
The Model Number will be found on the Nameplate attached to the housing of the chain saw. Always mention the Model Number when ordering parts for this tool.



INDEX NUMBER	PART NO.	DESCRIPTION	SPEC	QTY
1	3127499000	Oil tank cap		1
2	3402502000	Oil filter		1
3	3127500000	Chain sheath		1
4	3705657000	Guide bar	14" (350 mm)	1
5	3810637000	Saw chain		1
6	2823860000	Side cover assembly		1
7	5610042000	Screws	ST4.2 x 19	4
8	3127504000	Front handle		1
9	5610011000	Screws	ST2.9X10	2
10	3421169000	Cover plate		1
11	2823167000	Tensioning screw assembly		1

EGO[®]

POWER⁺ CHAIN SAW



GUIDE D'UTILISATION

SCIE À CHAÎNE SANS FIL AU LITHIUM-ION DE 56 VOLTS

NUMÉRO DE MODÈLE CS1400

⚠ AVERTISSEMENT : Afin de réduire les risques de blessure, l'utilisateur doit lire et comprendre le guide d'utilisation avant d'utiliser ce produit. Conservez le présent guide afin de pouvoir le consulter ultérieurement.

TABLE DES MATIÈRES

Symboles de sécurité	56
Consignes de sécurité	57-70
Introduction	71
Caractéristiques techniques	71
Liste des pièces contenues dans l'emballage	72
Description	73-75
Assemblage	76
Fonctionnement	77-90
Entretien	91-101
Dépannage	102-103
Garantie	104-105
Liste des pièces	106-107

VEUILLEZ LIRE TOUTES LES INSTRUCTIONS!



VOUS DEVEZ LIRE ET COMPRENDRE
TOUTES LES INSTRUCTIONS DU GUIDE.

⚠ AVERTISSEMENT : Certaines poussières produites par l'utilisation d'outils de coupe électriques contiennent des produits chimiques reconnus par l'État de Californie comme causes de cancers, d'anomalies congénitales et de problèmes du système reproducteur. Voici des exemples de ces produits chimiques :

- le plomb contenu dans la peinture au plomb;
- la silice cristallisée contenue dans les briques, le ciment et d'autres produits de maçonnerie; et
- l'arsenic et le chrome contenus dans le bois d'œuvre traité avec des produits chimiques.

Les risques liés à l'exposition à ces produits varient en fonction de la fréquence à laquelle vous effectuez ce type de travaux. Pour réduire votre exposition à ces produits chimiques, travaillez dans une zone bien ventilée et portez l'équipement de sécurité approuvé, comme les masques antipoussières conçus pour ne pas laisser passer les particules microscopiques.

SYMBOLES DE SÉCURITÉ

L'objectif des symboles de sécurité est d'attirer votre attention sur les dangers potentiels. Vous devez examiner attentivement et bien comprendre les symboles de sécurité et les explications qui les accompagnent. Les symboles d'avertissement en tant que tels n'éliminent pas le danger. Les consignes et les avertissements qui y sont associés ne remplacent en aucun cas les mesures préventives adéquates.

⚠ AVERTISSEMENT : Avant d'utiliser l'outil, assurez-vous de lire et de comprendre toutes les consignes de sécurité présentées dans ce guide d'utilisation, notamment toutes les consignes de sécurité indiquées par « **DANGER** », « **AVERTISSEMENT** » et « **MISE EN GARDE** ». Le fait de ne pas respecter toutes les consignes de sécurité ci-dessous peut causer un choc électrique, un incendie ou des blessures graves.

SIGNIFICATION DES SYMBOLES

⚠ SYMBOLE D'ALERTE DE SÉCURITÉ : indique un **DANGER**, un **AVERTISSEMENT** ou une **MISE EN GARDE**. Il peut être associé à d'autres symboles ou pictogrammes.







⚠ AVERTISSEMENT! L'utilisation de tout outil électrique peut entraîner la projection de corps étrangers dans les yeux et ainsi causer des lésions oculaires graves. Avant d'utiliser un outil électrique, veillez à toujours porter des lunettes de sécurité couvrantes ou à écrans latéraux, ou un masque complet au besoin. Nous recommandons le port d'un masque de sécurité panoramique par-dessus les lunettes de vue ou de lunettes de sécurité standard avec écrans latéraux. Portez toujours un équipement de protection oculaire conforme à la norme ANSI Z87.1.

CONSIGNES DE SÉCURITÉ

Cette page illustre et décrit les symboles de sécurité qui peuvent être présents sur ce produit. Vous devez lire, comprendre et suivre toutes les instructions présentes sur l'appareil avant d'entamer son assemblage ou sa manipulation.

	Alerte de sécurité	Indique un risque de blessure.
	Lisez le guide d'utilisation	Afin de réduire les risques de blessure, l'utilisateur doit lire le guide d'utilisation.
	Portez protection pour les yeux	Lorsque vous utilisez l'article, portez toujours des lunettes de sécurité couvrantes ou à écrans latéraux, ou un masque complet.
	Portez protection pour les oreilles	Le bruit de la scie à chaîne peut endommager votre ouïe. Portez toujours des protecteurs auriculaires (bouchons ou protège-oreilles) pour protéger votre ouïe.
	Portez protection pour la tête	Portez un casque de sécurité approuvé pour protéger votre tête.
	Portez gants de protection	Portez des gants pour protéger vos mains lorsque vous manipulez une scie ou sa chaîne. Des gants renforcés antidérapants assurent votre prise et protègent vos mains.
	Faites attention au rebond	Évitez tout contact entre le bout du guide-chaîne et un autre objet.
	Rebond du bout du guide-chaîne	Un contact avec le bout du guide-chaîne peut le faire rebondir soudainement vers le haut et l'arrière, ce qui pourrait entraîner des blessures graves.

	Prise à deux mains	Lorsque vous utilisez une scie à chaîne, tenez-la toujours avec les deux mains.
	Symbole de recyclage	Ce produit fonctionne à l'aide d'un bloc-pile au lithium-ion (Li-ion). La législation locale, provinciale ou fédérale peut interdire la mise au rebut des blocs-piles dans une poubelle ordinaire. Consultez l'organisme local de gestion des déchets au sujet des possibilités offertes en ce qui concerne la mise au rebut ou le recyclage.
IPX4	Niveau de protection d'indice	Protection contre les projections d'eau
V	Volt	Tension
A	Ampère	Courant
Hz	Hertz	Fréquence (cycles par seconde)
W	Watt	Puissance
min	Minutes	Durée
	Courant alternatif	Type de courant
	Courant continu	Type de courant ou caractéristique de courant
n_0	Vitesse à vide	Vitesse de rotation à vide
... /min	Par minute	Tours par minute

⚠ DANGER : Les personnes qui portent des dispositifs électroniques, comme un stimulateur cardiaque, doivent consulter leur médecin avant d'utiliser l'article. L'utilisation d'équipement électrique à proximité d'un stimulateur cardiaque peut causer des interférences et l'arrêt du stimulateur.

AVERTISSEMENTS DE SÉCURITÉ GÉNÉRAUX RELATIFS AUX OUTILS ÉLECTRIQUES

⚠ AVERTISSEMENT! Lisez tous les avertissements de sécurité et toutes les instructions. Le non-respect des avertissements et des instructions peut entraîner un choc électrique, un incendie ou des blessures graves.

Conservez tous les avertissements et toutes les instructions afin de pouvoir les consulter ultérieurement.

Le terme « outil électrique » dans les avertissements désigne votre outil électrique (avec cordon) alimenté par le secteur ou votre outil électrique (sans fil) alimenté par un bloc-pile.

SÉCURITÉ DE L'AIRE DE TRAVAIL

- **Maintenez l'aire de travail propre et bien éclairée.** Les aires de travail sombres et encombrées sont propices aux accidents.
- **Ne faites pas fonctionner d'outil électrique dans un environnement explosif, par exemple en présence de poussière, de gaz ou de liquides inflammables.** Les outils électriques provoquent des étincelles qui peuvent enflammer la poussière ou les émanations.
- **Maintenez les enfants et les observateurs à l'écart lorsque vous manipulez l'outil électrique.** Des distractions peuvent vous faire perdre le contrôle du produit.

SÉCURITÉ ÉLECTRIQUE

- **La fiche de l'outil électrique doit correspondre à la prise. Ne modifiez la fiche d'aucune façon. N'utilisez aucun adaptateur de prise avec les outils électriques reliés à la terre (prise de terre).** La connexion d'une prise non modifiée à la sortie correspondante permet de réduire les risques de choc électrique.
- **Évitez tout contact avec les surfaces reliées à la terre, comme la tuyauterie, les radiateurs, les cuisinières et les réfrigérateurs.** Le fait de relier votre corps à la terre augmente les risques de choc électrique.
- **N'exposez pas les outils électriques à la pluie ni à aucun autre liquide.** L'infiltration d'eau dans un outil électrique augmente les risques de choc électrique.
- **N'utilisez pas le cordon d'alimentation de façon qui pourrait l'endommager, par exemple, pour porter, tirer ou débrancher l'outil électrique. Maintenez le cordon à l'écart de la chaleur, de l'huile, de bords coupants et de pièces mobiles.** Un cordon endommagé ou emmêlé augmente les risques de décharge électrique.

- **Lorsque vous utilisez un outil électrique à l'extérieur, utilisez une rallonge adaptée à un usage à l'extérieur.** L'utilisation d'une rallonge adaptée à l'extérieur réduit les risques de décharge électrique.
- **S'il est impossible d'éviter d'utiliser un appareil électrique dans un endroit humide, recourez à une alimentation protégée par un disjoncteur différentiel.** L'utilisation d'un disjoncteur différentiel réduit les risques de choc électrique.

SÉCURITÉ PERSONNELLE

- **Restez attentif, faites attention à ce que vous faites et faites preuve de bon sens lorsque vous utilisez un outil électrique. N'utilisez pas d'outil électrique si vous êtes fatigué ou sous l'influence de drogues, d'alcool ou de médicaments.** Un moment d'inattention lorsque vous manipulez un outil électrique peut occasionner des blessures graves.
- **Utilisez un équipement de protection. Portez toujours un équipement de protection oculaire.** Le port d'un équipement de protection (comme un masque antipoussières, des chaussures de protection antidérapantes, un casque de sécurité ou un dispositif de protection auriculaire) dans les conditions adéquates permet de réduire les risques de blessure.
- **Évitez tout démarrage involontaire. Veillez à ce que l'interrupteur soit en position d'arrêt avant de connecter le produit au courant ou au bloc-pile, de le ramasser ou de le transporter.** Transporter un outil électrique en ayant le doigt sur l'interrupteur ou transporter un outil électrique avec l'interrupteur en position de marche est propice aux accidents.
- **Enlevez toute clé de serrage ou clé à molette avant de mettre l'outil électrique en marche.** Une clé de serrage ou une clé à molette en contact avec une pièce rotative de l'outil électrique peut occasionner des blessures.
- **Ne tendez pas les bras trop loin. Maintenez des appuis et un équilibre adéquats en tout temps.** Cela permet de mieux contrôler l'outil électrique dans des situations inattendues.
- **Habillez-vous de manière appropriée. Ne portez pas de vêtements ni de bijoux qui peuvent s'accrocher. Maintenez vos cheveux, vos vêtements et vos gants à l'écart des pièces mobiles.** Des vêtements, des bijoux ou de longs cheveux peuvent se coincer dans les pièces mobiles.

- **Si des dispositifs sont fournis pour la connexion d'équipement de dépoussiérage et de collecte de la poussière, veillez à ce qu'ils soient connectés et utilisés de manière appropriée.** L'utilisation de dispositifs de dépoussiérage peut réduire les dangers liés à la poussière.

UTILISATION ET ENTRETIEN DE L'OUTIL ÉLECTRIQUE

- **Ne repoussez pas les limites de l'outil électrique. Utilisez l'outil électrique adapté à votre besoin.** L'outil électrique adéquat vous permettra de mieux accomplir le travail avec plus de sécurité et au rythme pour lequel il a été conçu.
- **N'utilisez pas l'outil électrique si l'interrupteur ne permet pas de le mettre en marche et de l'arrêter.** Tout outil électrique qui ne peut être commandé au moyen de l'interrupteur est dangereux et doit être réparé.
- **Déconnectez la prise de la source d'alimentation ou l'outil électrique du bloc-pile avant de le ranger ou de procéder à quelque ajustement ou changement d'accessoire.** De telles mesures de sécurité préventives réduisent les risques que l'outil électrique se mette en marche accidentellement.
- **Rangez l'outil électrique à l'arrêt hors de la portée des enfants et n'autorisez pas une personne ne sachant pas s'en servir ou n'ayant pas lu ces instructions à l'utiliser.** Les outils électriques sont dangereux lorsqu'ils sont maniés par des utilisateurs inexpérimentés.
- **Entretenez l'outil électrique. Vérifiez l'alignement des pièces mobiles, leur fixation et leur état. Repérez tout autre problème pouvant nuire au fonctionnement de l'outil électrique. Si l'outil électrique est endommagé, faites-le réparer avant de l'utiliser.** Beaucoup d'accidents sont attribuables au mauvais entretien d'un outil.
- **Maintenez les outils de découpe affûtés et propres.** Des outils de découpe aux lames affûtées risquent moins de s'accrocher et sont plus faciles à contrôler.
- **Utilisez l'outil électrique, les accessoires, les mèches, etc. conformément à ces instructions, en tenant compte des conditions de travail et de la tâche à accomplir.** Utiliser un outil électrique pour des tâches autres que celles pour lesquelles il a été conçu pourrait créer une situation dangereuse.

UTILISATION ET ENTRETIEN DU BLOC-PILE

- **Rechargez le bloc-pile uniquement au moyen du chargeur indiqué par le fabricant.** Un chargeur non adapté à un type de bloc-pile peut constituer un risque d'incendie s'il est utilisé avec un bloc-pile différent de celui pour lequel il a été conçu.
- **Utilisez l'outil électrique uniquement avec le bloc-pile expressément indiqué.** L'utilisation de tout autre bloc-pile peut constituer un risque de blessure et d'incendie.
- **Lorsque vous n'utilisez pas le bloc-pile, conservez-le à l'écart d'autres objets métalliques, comme des trombones, des pièces de monnaie, des clés, des clous, des vis et d'autres petits objets métalliques qui peuvent connecter une borne à l'autre.** Un court-circuit entre les bornes du bloc-pile peut occasionner des brûlures et un incendie.
- **Dans de mauvaises conditions, un liquide peut être éjecté du bloc-pile; évitez tout contact avec celui-ci. Si vous entrez accidentellement en contact avec ce liquide, rincez avec de l'eau. Si vos yeux entrent en contact avec ce liquide, consultez un médecin.** Le liquide éjecté du bloc-pile peut causer des irritations et des brûlures.

ENTRETIEN

- **Faites entretenir votre outil électrique par un réparateur qualifié en utilisant uniquement des pièces de remplacement identiques.** Vous garantissez ainsi la sûreté de votre outil électrique.

AVERTISSEMENTS DE SÉCURITÉ : SCIE À CHAÎNE

- **Gardez toutes les parties de votre corps éloignées de la chaîne de la scie au moment de l'utilisation. Avant de faire démarrer la scie à chaîne, assurez-vous qu'elle n'entre pas en contact avec quoi que ce soit.** Un moment d'inattention suffit pour que la chaîne de la scie s'accroche à vos vêtements ou heurte votre corps.
- **Tenez toujours la scie à chaîne avec la main droite sur la poignée arrière et la main gauche sur la poignée avant.** N'inversez jamais la position des mains en utilisant la scie, car cela augmente les risques de blessures.
- **Tenez l'outil électrique uniquement par les poignées protégées, car la chaîne de la scie pourrait entrer en contact avec un câblage caché.** Si la chaîne entre en contact avec un câble alimenté pendant que l'appareil est en marche, cela risque d'exposer les pièces métalliques de l'outil électrique et d'occasionner un choc électrique à l'utilisateur.

- **Portez des lunettes de sécurité et des protections auditives. Des protections pour la tête, les mains, les jambes et les pieds sont aussi recommandées.** Des vêtements de protection adéquats réduisent les risques de blessures provoquées par la projection de débris ou par un contact accidentel avec la chaîne de la scie.
- **N'utilisez pas de scie à chaîne si vous êtes dans un arbre.** L'utilisation d'une scie à chaîne lorsque vous êtes dans un arbre peut occasionner des blessures graves.
- **Maintenez toujours des appuis fermes et n'utilisez la scie à chaîne que lorsque vous vous tenez sur une surface sécuritaire et de niveau.** Des surfaces glissantes ou instables, comme une échelle, peuvent occasionner une perte d'équilibre ou une perte de contrôle de la scie à chaîne.
- **Lorsque vous coupez une branche soumise à une tension, prenez garde à sa détente.** Quand la tension des fibres de bois se relâche, la branche peut venir vous frapper ou vous faire perdre le contrôle de la scie à chaîne.
- **Faites très attention lorsque vous coupez du sous-bois ou de jeunes arbres.** Leur matériau souple pourrait coincer dans la chaîne de la scie et être envoyé dans votre direction ou encore tirer et vous faire perdre l'équilibre.
- **Pour transporter la scie à chaîne, éteignez-la et tenez-la éloignée de votre corps par la poignée avant. Installez toujours la gaine de la chaîne avant de transporter ou de ranger la scie.** Une manipulation appropriée de la scie réduit les risques de contacts accidentels avec la chaîne en mouvement.
- **Suivez les instructions pour le graissage, le tensionnage de la chaîne et le changement d'accessoires.** Une mauvaise tension ou une mauvaise lubrification peut entraîner le bris de la chaîne ou augmenter le risque de rebond.
- **Les poignées doivent toujours être sèches, propres et exemptes d'huile ou de graisse.** Les poignées grasses ou huileuses sont glissantes, ce qui peut entraîner une perte de contrôle de l'appareil.
- **Ne coupez que du bois. N'utilisez pas la scie à chaîne pour des tâches autres que celles pour lesquelles elle a été conçue. Par exemple, ne l'utilisez pas pour couper du plastique, des matériaux de maçonnerie ni des matériaux de construction non faits de bois.** L'utilisation d'une scie à chaîne pour des tâches pour lesquelles elle n'a pas été conçue pourrait créer une situation dangereuse.

AVERTISSEMENTS SUPPLÉMENTAIRES

- **Une scie à chaîne doit être utilisée à deux mains.** Ne manipuler la scie qu'avec une seule main pourrait occasionner des blessures graves à l'utilisateur et aux personnes se trouvant à proximité.
- **Évitez tout contact involontaire avec la chaîne de la scie immobile ou avec la rainure du guide-chaîne.** Ils peuvent être très coupants. Portez toujours des gants et des pantalons ou des jambières de protection pour manipuler la scie à chaîne, la chaîne de la scie ou le guide-chaîne.
- **N'utilisez jamais une scie à chaîne endommagée, mal ajustée ou qui n'est pas assemblée complètement et sécuritairement.** Assurez-vous que la chaîne de la scie s'immobilise quand vous relâchez la gâchette.
- **Inspectez la pièce à travailler avant la coupe pour repérer tout clou, câble ou autre corps étranger.**
- **Immobilisez la pièce à travailler avant de la tronçonner. Avant d'abattre ou d'élaguer un arbre, repérez et immobilisez les branches dangereuses.**
- **Une coupe mal exécutée, effectuée avec brusquerie, ou un usage inapproprié de la scie à chaîne pourraient user prématurément le guide-chaîne, la chaîne ou le pignon d'entraînement et occasionner le bris de ces éléments (donnant lieu à des rebonds), le déraillement de la chaîne ou l'éjection de matériaux.**
- **N'utilisez jamais le guide-chaîne comme un levier.** Un guide-chaîne plié peut entraîner l'usure prématurée de ce guide, de la chaîne et du pignon d'entraînement, ou encore le bris de la chaîne et du guide-chaîne, ce qui pourrait donner lieu à des rebonds, au déraillement de la chaîne et à l'éjection de matériaux.
- **Ne coupez qu'une pièce à travailler à la fois.**
- **Utilisez le produit uniquement avec les blocs-piles et les chargeurs indiqués ci-dessous :**

BLOC-PILE	CHARGEUR
BA1120, BA1400, BA2240	CH2100
BA2800, BA4200	CH5500

- **Ne rechargez pas le bloc-pile sous la pluie ou dans un endroit humide.**

- **Planifiez vos travaux : assurez-vous d'avoir une aire de travail dépourvue d'obstacles et, si vous abattez un arbre, prévoyez au moins une voie de retraite pour lui échapper.**
- **Lorsque vous abattez un arbre, maintenez toute personne à une distance d'au moins deux arbres.**
- **S'il se produit une situation qui ne figure pas dans le présent manuel, faites preuve de prudence et de jugement. Communiquez avec le centre de service EGO pour obtenir de l'aide.**

LES CAUSES ET LA PRÉVENTION DES REBONDS (Fig. 1, 2, 3 et 4)

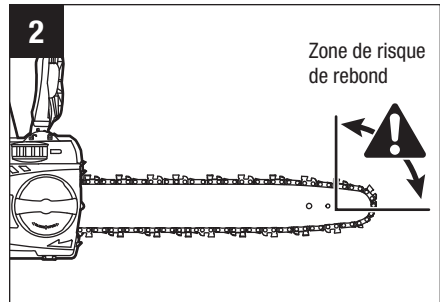
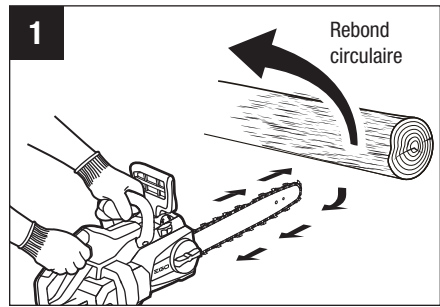
Des rebonds peuvent avoir lieu lorsque le bout du guide-chaîne touche un objet ou que le bois se referme et coince la chaîne de la scie dans la coupe.

Dans certains cas, un contact avec le bout du guide-chaîne peut causer une réaction inverse soudaine qui fait rebondir le guide-chaîne et l'envoi vers l'utilisateur.

Si la chaîne de la scie se coince dans la partie supérieure du guide-chaîne, celui-ci peut être envoyé rapidement vers l'utilisateur.

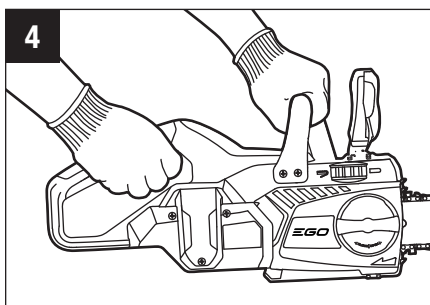
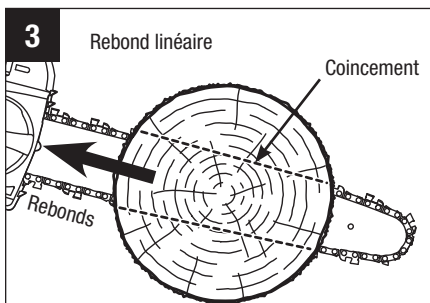
L'une ou l'autre de ces réactions peut causer une perte de contrôle de la scie à chaîne et occasionner des blessures graves. Ne vous fiez pas qu'aux dispositifs de sûreté de la scie à chaîne.

En tant qu'utilisateur de la scie à chaîne, vous devez prendre les mesures qui s'imposent pour que vos coupes s'effectuent sans accidents ni blessures.

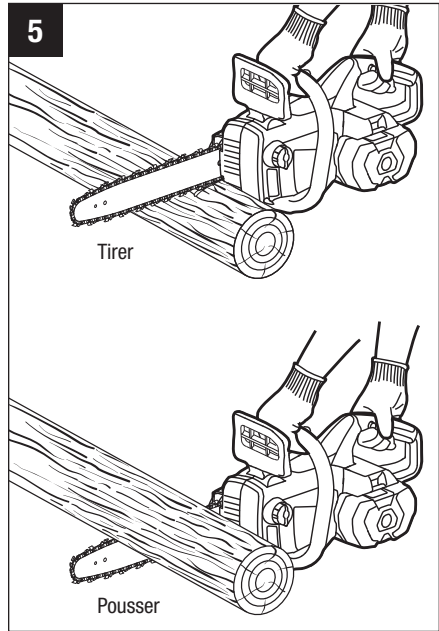


Les rebonds sont provoqués par un usage inapproprié de l'outil ou de mauvaises procédures ou conditions d'utilisation et peuvent être évités en prenant les précautions suivantes :

- **Ayez une prise ferme, tenez la scie à chaîne à deux mains en encerclant ses poignées avec vos pouces et vos doigts et positionnez votre corps de façon à résister à la pression des rebonds (Fig. 4).** Il est possible de contrôler la force des rebonds en prenant les précautions appropriées. Ne lâchez pas la scie à chaîne.
- **Ne tendez pas vos bras trop loin, et n'effectuez pas de coupe au-dessus de la hauteur de vos épaules.** Ces mesures permettent d'empêcher tout contact involontaire avec le bout de l'outil et de mieux contrôler la scie à chaîne quand surviennent des situations inattendues.
- **N'utilisez que les chaînes et les guides-chaîne de remplacement indiqués par le fabricant.** L'utilisation des mauvais guides-chaînes ou des mauvaises chaînes de remplacement peut occasionner des bris ou des rebonds.
- **Suivez les instructions du fabricant pour l'affûtage et l'entretien de la chaîne de la scie.** Réduire la hauteur du guide de profondeur peut augmenter les risques de rebond.
- **Assurez-vous que la zone dans laquelle vous faites la coupe est dépourvue d'obstacles.** Assurez-vous que le bout du guide-chaîne ne rencontre ni grume, ni branche, ni clôture ni tout autre obstacle pendant que vous manipulez la scie à chaîne.
- **L'outil doit toujours tourner à pleine vitesse lors des coupes.** Enfoncez complètement la gâchette et conservez la vitesse de coupe.
- **Une compréhension élémentaire des rebonds vous permettra de réduire ou d'éliminer l'élément de surprise.** La surprise contribue aux accidents.



- **Maintenez des appuis et un équilibre adéquats en tout temps.**
- **Poussée et traction** – la force d'un rebond va toujours dans la direction opposée à celle de la chaîne à l'endroit où le contact avec le bois a lieu. Cela veut dire que vous devez être prêt à contrôler la **TRACTION** lorsque vous coupez à l'aide du bas du guide-chaîne et que vous devez résister à la **POUSSÉE** lorsque vous coupez avec le haut du guide-chaîne. Voir la figure 5.



DISPOSITIFS DE SÉCURITÉ CONTRE LES REBONDS DE LA SCIE À CHAÎNE

Frein de chaîne

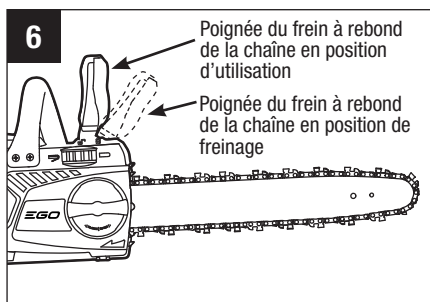
La scie comprend un frein de chaîne qui arrête le moteur et le mouvement de la chaîne quand se produit un rebond. Le frein de chaîne peut être activé par le mouvement vers l'avant de la poignée de frein à rebond de la chaîne, mouvement occasionné par la rotation inverse de la scie au moment du rebond; le frein de chaîne peut également être activé par les forces d'inertie générées par le mouvement de recul rapide.

⚠ AVERTISSEMENT : Ne tentez jamais de modifier le frein de chaîne ni de le mettre hors d'état de fonctionner.

Avant d'utiliser la scie à chaîne, assurez-vous que le frein de chaîne fonctionne correctement. La poignée du frein à rebond de la chaîne devrait se déplacer sans difficulté.

Pour vérifier si le frein de la chaîne fonctionne, effectuez les étapes suivantes (Fig. 6) :

- Déposez la scie à chaîne sur une surface plane et dégagée, et assurez-vous qu'aucun objet ou obstacle à proximité ne peut toucher au guide-chaîne ou à la chaîne.
- Desserrez le frein de chaîne en tirant la poignée du frein à rebond de la chaîne vers la poignée avant.
- Faites démarrer la scie à chaîne.
- Poussez la poignée du frein à rebond de la chaîne vers l'avant de la scie. Un frein fonctionnel arrêtera immédiatement le mouvement de la chaîne. Si le frein de chaîne ne fonctionne pas correctement, n'utilisez pas la scie à chaîne avant de l'avoir fait réparer par un technicien qualifié.



⚠ AVERTISSEMENT : Confirmez que le frein de chaîne fonctionne correctement avant chaque utilisation.

⚠ AVERTISSEMENT : Les copeaux de bois peuvent entraver le frein de chaîne et nuire à son fonctionnement. Maintenez toujours la propreté de l'appareil.

Chaîne de scie à faible rebond

Les guides (ou limiteurs) de profondeur situés devant chaque gouge peuvent réduire au minimum la force d'un rebond en empêchant les gougues de creuser trop profondément à l'endroit où survient ce rebond. N'utilisez qu'une chaîne de rechange équivalente à la chaîne d'origine ou homologuée chaîne à faible rebond selon la norme ANSI B175.1. Une chaîne de scie à faible rebond est une chaîne qui satisfait aux exigences en matière de rebonds de la norme ANSI B175.1 (la norme de l'American National Standard relative aux outils électriques – Exigences de sécurité des scies à chaîne à essence) lors d'essais sur l'échantillon représentatif de scies à chaîne décrit dans la norme ANSI B175.1, sous 3.8 c.i.d.

⚠ MISE EN GARDE : Au fur et à mesure qu'elles sont affûtées au cours de leur vie utile, les chaînes de scie perdent une partie de leurs propriétés anti-rebond et doivent être utilisées avec davantage de précautions.

GUIDE-CHAÎNE

La présente scie est équipée d'un guide-chaîne avec un bout de faible rayon. Les bouts de faible rayon ont moins tendance à rebondir. Lors du remplacement du guide-chaîne, assurez-vous de vous procurer le guide-chaîne indiqué dans le présent manuel.

CONSERVEZ CES INSTRUCTIONS!

LEXIQUE

Graisser automatique : Système qui lubrifie automatiquement le guide-chaîne et la chaîne de la scie.

Tronçonnage : Coupe dans le sens de la largeur d'un arbre abattu ou d'une grume.

Griffes : La ou les dents pointues utilisées lors de la coupe ou du tronçonnage pour faire pivoter la scie à chaîne tout en conservant sa position.

Frein de chaîne : Dispositif servant à arrêter immédiatement la chaîne de la scie.

Ensemble moteur : Scie à chaîne sans sa chaîne et son guide-chaîne.

Pignon d'entraînement : Pièce dentée qui entraîne la chaîne de la scie.

Abattage : Processus par lequel on coupe un arbre pour le faire tomber au sol.

Trait d'abattage : Entaille finale du processus d'abattage, fait sur le côté opposé à l'entaille d'abattage.

Rebond : Mouvement du guide-chaîne vers l'arrière, vers le haut ou les deux qui se produit quand la chaîne près du haut du bout du guide-chaîne touche un objet, comme une grume ou une branche, ou quand le bois se referme et coince la chaîne dans la coupe.

Chaîne de scie à faible rebond : Chaîne jugée conforme aux exigences en matière de rebond de la norme ANSIB175.1 lors de son essai par un échantillon représentatif de scies à chaîne.

Position de coupe normale : Position adoptée lors du tronçonnage et de l'abattage.

Entaille d'abattage : Entaille qui dirige la chute de l'arbre.

Guide-chaîne à rebond réduit : Guide-chaîne dont la capacité à réduire grandement les risques de rebond est prouvée.

INTRODUCTION

Nous vous félicitons d'avoir choisi une scie à chaîne de nouvelle génération alimentée par un bloc-pile au lithium-ion de 56 V. Cette scie a été conçue et fabriquée afin de vous offrir la meilleure fiabilité et le meilleur rendement possible.

Si vous éprouvez un problème que vous n'arrivez pas à régler facilement, veuillez communiquer avec le centre de service à la clientèle d'EGO au 1 855 EGO-5656.

Le présent guide contient des renseignements importants pour assembler, utiliser et entretenir en toute sécurité votre scie à chaîne. Lisez-le soigneusement avant d'utiliser la scie à chaîne.

Conservez ce guide à portée de main afin de pouvoir le consulter à tout moment.

NUMÉRO DE SÉRIE _____ DATE D'ACHAT _____

NOUS VOUS RECOMMANDONS DE NOTER LE NUMÉRO DE SÉRIE ET LA DATE D'ACHAT ET DE LES CONSERVER EN LIEU SÛR AFIN DE POUVOIR LES CONSULTER ULTÉRIEUREMENT.

CARACTÉRISTIQUES TECHNIQUES

Tension	56 V, courant continu
Longueur du guide-chaîne	350 mm (14 po)
Pas de chaîne	9,5 mm (3/8 po)
Calibre	1,1 mm (0,043 po)
Type de chaîne	90PX052X (Oregon)
Type de guide-chaîne	144MLEA041 (Oregon)
Capacité du réservoir d'huile de la chaîne	150 ml (5 oz)
Poids (sans le bloc-pile et la gaine de la chaîne)	3,76 kg (8,29 lb)

Guide-chaîne et chaîne recommandés pour cette scie à chaîne

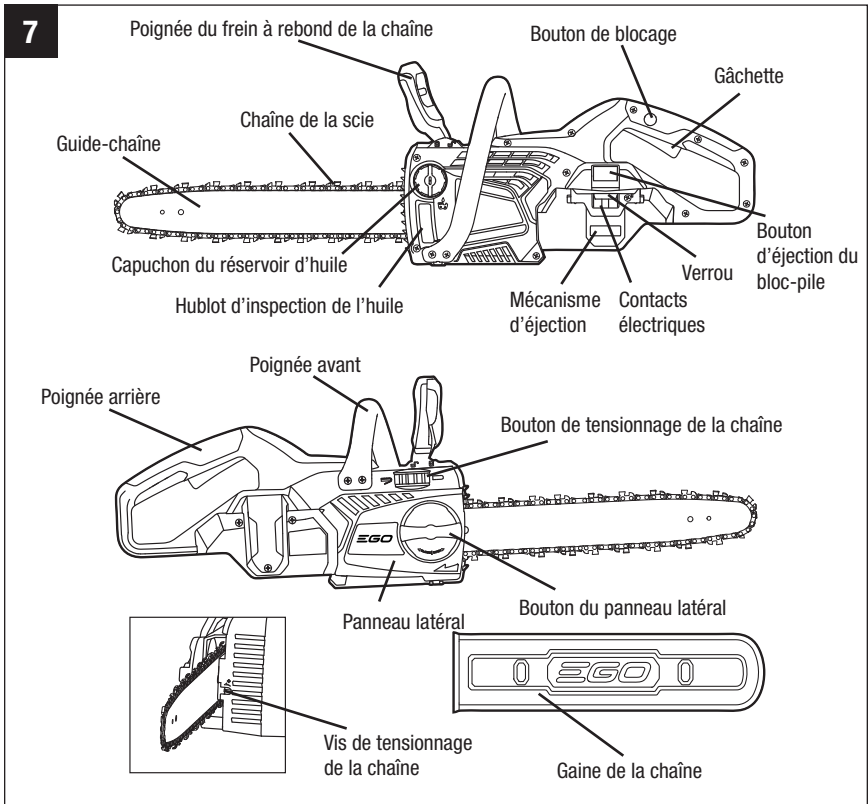
NOM DE PIÈCE	TYPE DE PIÈCE	NUMÉRO DE PIÈCE
Guide-chaîne	144MLEA041 de 14 po	3705657000
Chaîne de la scie	90PX052X (Oregon)	3810637000

LISTE DES PIÈCES CONTENUES DANS L'EMBALLAGE

NOM DE PIÈCE	QUANTITÉ
Scie à chaîne	1
Gaine de la chaîne	1
Guide d'utilisation	1

DESCRIPTION

FAMILIARISEZ-VOUS AVEC VOTRE SCIE À CHAÎNE (Fig. 7)



Pour utiliser ce produit en toute sécurité, vous devez comprendre les renseignements le concernant contenus dans ce guide d'utilisation et connaître le projet que vous entreprenez. Avant d'utiliser la scie à chaîne, familiarisez-vous avec toutes les caractéristiques de fonctionnement et consignes de sécurité.

Poignée du frein à rebond de la chaîne

Sert à activer ou désactiver le frein de la chaîne. Cette poignée sert aussi de protection contre les branches saillantes et aide à empêcher que la main gauche ne touche à la chaîne de la scie si elle glisse de la poignée avant.

Gâchette

Allume et éteint la scie.

Bouton de blocage

Aide à prévenir l'activation accidentelle ou non autorisée de la gâchette. Il doit être maintenu enfoncé pour activer la gâchette.

Capuchon du réservoir d'huile

Ferme le réservoir d'huile.

Hublot d'inspection de l'huile

Permet de voir le niveau d'huile.

Guide-chaîne

Soutient et guide la chaîne de la scie.

Gaine de la chaîne

Empêche l'utilisateur d'entrer en contact avec les dents tranchantes de la chaîne lorsque l'outil n'est pas utilisé. Permet également d'empêcher que les dents de la chaîne s'ébrèchent ou s'endommagent lorsque l'outil est transporté ou rangé.

Chaîne de la scie

Chaîne en boucle munie de dents tranchantes qui coupe le bois quand elle est entraînée par l'ensemble moteur et soutenu par le guide-chaîne.

Poignée avant

Poignée de soutien pour la main gauche située à l'avant de la scie à chaîne.

Poignée arrière

Poignée de soutien pour la main droite située à l'arrière de la scie à chaîne.

Bouton de tensionnage de la chaîne

Permet un réglage précis du tensionnage de la chaîne.

Vis de tensionnage de la chaîne

Permet un réglage précis du tensionnage de la chaîne à l'aide d'un tournevis manuel à tête plate.

Panneau latéral

Couvre le pignon d'entraînement et immobilise le guide-chaîne.

Bouton du panneau latéral

Verrouille et déverrouille le panneau latéral.

Bouton d'éjection du bloc-pile

Permet de retirer le bloc-pile lorsque l'on appuie dessus.

Verrou

Permet de verrouiller le bloc-pile en place lorsque celui-ci est placé dans l'outil.

Mécanisme d'éjection

Aide à enlever le bloc-pile.

Fente de guidage

Guide le bloc-pile.

ASSEMBLAGE

⚠ AVERTISSEMENT : S'il y a des pièces manquantes ou endommagées, ne tentez pas d'utiliser la scie à chaîne tant que ces pièces n'auront pas été remplacées. L'utilisation du taille-bordure avec des pièces endommagées ou manquantes peut causer des blessures graves.

⚠ AVERTISSEMENT : Ne tentez pas de modifier ce produit ni de créer des accessoires qui ne sont pas recommandés pour cette scie à chaîne. Toute altération ou modification de ce type constitue un usage inapproprié et peut engendrer une situation dangereuse susceptible de causer des blessures graves.

⚠ AVERTISSEMENT : Pour empêcher une mise en marche accidentelle pouvant causer des blessures graves, retirez toujours le bloc-pile de la scie à chaîne avant d'assembler des pièces.

DÉBALLAGE

Ce produit a été expédié complètement assemblé.

- Retirez soigneusement la scie à chaîne et toutes les pièces de l'emballage. Assurez-vous que toutes les pièces mentionnées sur la liste des pièces ci-dessous sont présentes.
- Inspectez l'outil soigneusement pour vérifier qu'aucun bris ni dommage ne s'est produit au cours de l'expédition.
- Ne jetez pas le matériel d'emballage avant d'avoir inspecté soigneusement la scie à chaîne et de l'avoir fait fonctionner de manière satisfaisante.
- S'il y a des pièces manquantes ou endommagées, veuillez contacter le service à la clientèle d'EGO pour obtenir de l'aide.

FONCTIONNEMENT

⚠ AVERTISSEMENT : Même si vous connaissez parfaitement la scie à chaîne, restez attentif. N'oubliez pas qu'une fraction de seconde d'inattention suffit à se blesser gravement.

⚠ AVERTISSEMENT : Portez systématiquement des lunettes de sécurité avec écrans latéraux conformes à la norme ANSI Z87.1, ainsi que des protecteurs d'oreilles. Sinon, vous pourriez recevoir des débris dans les yeux et vous blesser gravement.

⚠ AVERTISSEMENT : N'utilisez pas de pièces ni d'accessoires qui ne sont pas recommandés par le fabricant de cette scie à chaîne. L'utilisation de pièces ou d'accessoires non recommandés peut occasionner des blessures graves.

Avant chaque utilisation, inspectez l'intégralité du produit pour vérifier s'il y a des pièces endommagées, manquantes ou lâches, comme des vis, des boulons, des écrous, des capuchons, etc. Fixez fermement toutes les attaches et tous les capuchons et ne faites pas fonctionner ce produit avant que toutes les pièces manquantes ou endommagées aient été remplacées.

UTILISATION

Le présent produit peut servir à des tâches de base telle que l'abattage, l'ébranchage, l'élagage et la coupe du bois d'œuvre et des arbres.

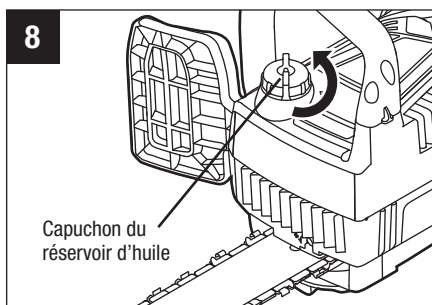
REMPILIR LE RÉSERVOIR D'HUILE DU GUIDE-CHAÎNE ET DE LA CHAÎNE

⚠ AVERTISSEMENT : Pour empêcher une mise en marche accidentelle pouvant causer des blessures graves, retirez toujours le bloc-pile de la scie à chaîne avant de remplir le réservoir d'huile.

⚠ AVERTISSEMENT : Ne fumez pas ni n'approchez de flamme près de l'huile ou de la scie à chaîne. Le lubrifiant pourrait se renverser et occasionner un incendie.

AVIS : La scie à chaîne ne contient pas de lubrifiant à l'achat. Il est donc essentiel de remplir son réservoir d'huile avant de l'utiliser. Utiliser la scie à chaîne quand son réservoir d'huile est vide ou que son niveau est en dessous du minimum l'endommagera. La durée de vie et l'efficacité de la chaîne dépendent d'une lubrification optimale. La chaîne est automatiquement lubrifiée pendant son utilisation.

1. Retirez le bloc-pile de la scie à chaîne.
2. Nettoyez le capuchon du réservoir d'huile et la zone l'entourant pour vous assurer qu'aucune saleté ne tombera à l'intérieur du réservoir.
3. Placez la scie à chaîne sur le côté sur une surface solide et plane, de façon que le capuchon du réservoir pointe vers le haut. Tournez le capuchon dans le sens contraire des aiguilles d'une montre pour l'enlever (Fig. 8).
4. Versez soigneusement le lubrifiant à chaîne dans le réservoir. Le filtre dans l'ouverture permet à l'huile d'entrer lentement dans le réservoir; attention au débordement. Remplissez le réservoir jusqu'au goulot de remplissage. Essayez l'excès d'huile.
5. Remettez le capuchon en place, redressez la scie à chaîne et regardez le niveau d'huile par le hublot d'inspection de l'huile. Le lubrifiant devrait occuper tout le hublot.



AVIS :

- Utilisez de l'huile à chaîne et guide-chaîne de marque OREGON® pour obtenir de meilleurs résultats. Elle est spécialement conçue pour réduire la friction et accélérer les coupes.
- N'utilisez ni huiles ni lubrifiants n'ayant pas été précisément conçus pour être utilisés avec des guide-chaîne et des chaînes. En utiliser pourrait boucher le système de distribution de l'huile, ce qui entraînerait l'usure prématurée du guide-chaîne et de la chaîne.
- Vérifiez souvent le niveau d'huile et remplissez le réservoir quand son niveau descend en bas du minimum. N'utilisez pas la scie à chaîne si le niveau d'huile n'est pas visible.
- N'utilisez pas d'huiles sales, usées ou autrement contaminées. Elles pourraient endommager le guide-chaîne et la chaîne.
- L'ouverture du réservoir d'huile est munie d'un filtre pour empêcher la saleté et les débris d'entrer. **N'enlevez PAS** le filtre quand vous remplissez le réservoir d'huile.
- Il est normal que de l'huile s'écoule de la scie à chaîne pendant qu'elle n'est pas utilisée. Pour éviter cet écoulement, videz le réservoir d'huile après chaque utilisation, puis faites fonctionner la scie à chaîne une minute. Si vous prévoyez remiser la scie à chaîne pendant longtemps, assurez-vous que sa chaîne est légèrement lubrifiée; la chaîne, le guide-chaîne et le pignon d'entraînement seront ainsi protégés de la rouille.
- Pour préserver les ressources naturelles, veuillez recycler ou jeter l'huile de manière appropriée. Consultez l'organisme local de gestion des déchets au sujet des possibilités offertes pour la mise au rebut ou le recyclage.

INSTALLATION ET RETRAIT DU BLOC-PILE (Figures 9 et 10)

AVIS : Chargez le bloc-pile au maximum avant sa première utilisation.

Installation (Figure 9)

1. Alignez les nervures du bloc-pile sur les fentes de montage situées dans le port du bloc-pile de la scie à chaîne.
2. Glissez le bloc-pile dans la scie à chaîne jusqu'à ce qu'il se verrouille en position.

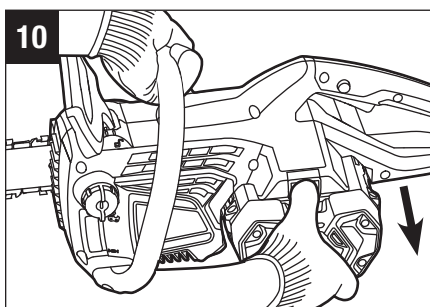
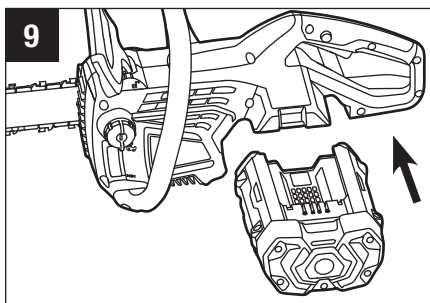
AVIS : Avant d'utiliser le produit, assurez-vous que le verrou de la scie à chaîne se loge en place et que le bloc-pile est fixé à l'outil.

Retrait (Figure 10)

⚠ AVERTISSEMENT : Soyez toujours conscient de l'emplacement de vos pieds, de vos enfants et de vos animaux de compagnie lorsque vous appuyez sur le bouton d'éjection du bloc-pile. La chute du bloc-pile pourrait causer des blessures graves.

NE retirez JAMAIS le bloc-pile lorsque vous êtes en hauteur.

1. Tenez le bloc-pile dans la paume de la main.
2. Pour libérer le bloc-pile du verrou, appuyez sur le bouton d'éjection du bloc-pile avec le pouce.
3. Saisissez le bloc-pile et retirez-le de la scie à chaîne.



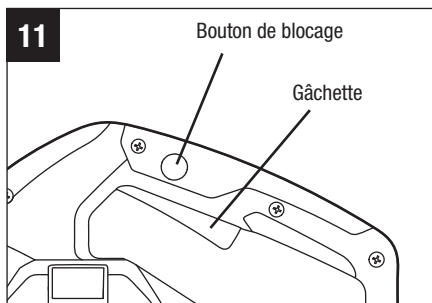
MISE EN MARCHÉ ET ARRÊT DE LA SCIE À CHAÎNE

Avant de mettre la scie à chaîne en marche, suivez les instructions ci-dessous :

1. Assurez-vous que la chaîne est correctement installée et tensionnée.
2. Levez le bout du guide-chaîne pour voir si la chaîne pend. La chaîne est correctement tensionnée quand elle ne pend pas sous le guide-chaîne et qu'elle est serrée, mais qu'elle peut être tournée à la main sans coincer. Si vous devez régler la tension, reportez-vous à la section « REMPLACER LE GUIDE-CHAÎNE ET LA CHAÎNE », dans la section Entretien de ce manuel, et suivez les instructions d'ajustement.
3. Avant d'utiliser la scie, vérifiez la tension du bouton du panneau latéral. S'il est desserré, serrez-le fermement en le tournant dans le sens des aiguilles d'une montre.
4. Vérifiez le niveau d'huile et remplissez le réservoir au besoin.
5. Vérifiez l'affûtage des dents tranchantes de la chaîne de la scie.
6. Assurez-vous que la chaîne est bien lubrifiée.
7. Assurez-vous que la poignée du frein à rebond de la chaîne se déplace facilement en position de freinage, puis tirez-la en position de démarrage, vers la poignée avant.
8. Tenez-vous droit et tenez la scie à chaîne sans vous crispier.
9. Assurez-vous que la chaîne de la scie ne touche ni le sol, ni tout autre objet.
10. Tenez la scie à chaîne à deux mains : tenez la poignée avant avec la main gauche et la poignée arrière avec la main droite.
11. Assurez-vous que vous avez une posture sécuritaire et un bon équilibre. Faites attention aux obstacles, comme les souches, les racines et les fossés, qui pourraient vous faire trébucher ou tomber.

Faire démarrer la scie à chaîne (Figure 11)

1. Assurez-vous qu'aucun objet ou obstacle à proximité ne peut toucher au guide-chaîne ou à la chaîne.
2. Tirez la poignée du frein à rebond de la chaîne vers la poignée avant pour la mettre en position de démarrage (Fig. 6).
3. Saisissez fermement les poignées avant et arrière avec les deux mains.
4. Tenez enfoncé le bouton de blocage avec le pouce de votre main droite, puis appuyez sur la gâchette avec les doigts de votre main droite pour faire démarrer la scie à chaîne. Relâchez le bouton de blocage et gardez la gâchette enfoncée pour utiliser la scie à chaîne de façon continue.



⚠ AVERTISSEMENT : Ne tentez pas de faire démarrer la scie lorsque la chaîne est dans une coupe.

Arrêter la scie à chaîne

1. Pour arrêter la scie à chaîne, éloignez-la de l'aire de découpe et relâchez la gâchette.
2. Poussez la poignée du frein à rebond de la chaîne vers l'avant en position de freinage afin d'activer le frein de la chaîne (Fig. 6).

⚠ AVERTISSEMENT : Retirez toujours le bloc-pile de la scie à chaîne lorsque vous faites des pauses et une fois que vous avez terminé de l'utiliser.

PRÉPARATION POUR LA COUPE

Consultez les importantes consignes de sécurité énoncées ci-dessus pour connaître l'équipement de sécurité approprié.

Précautions dans l'aire de travail

- Ne coupez que du bois ou des matériaux faits de bois; ne coupez pas de tôle, de plastique, de matériaux de maçonnerie ni de matériaux de construction non faits de bois.
- Ne laissez jamais des enfants utiliser la scie à chaîne.
- Ne permettez pas l'utilisation de la scie à chaîne par quiconque n'ayant pas consulté le présent guide d'utilisation ou reçu des instructions adéquates quant à son utilisation sécuritaire et appropriée.
- Lors de l'abattage d'un arbre, gardez tout le monde – personnes qui vous aident, observateurs, enfants et animaux – à une distance sécuritaire de l'aire de découpe. Cette distance devrait équivaloir au moins au double de la hauteur des plus grands arbres de l'aire d'abattage. Lors du travail de tronçonnage, observez une distance minimale de 4,5 m (15 pi) entre les travailleurs. Les arbres ne doivent pas être abattus de façon à mettre quiconque en danger, à heurter un câble de service public ou à causer tout dommage matériel. Si un arbre entre en contact avec un câble de service public, l'entreprise concernée doit en être avisée immédiatement.
- Lorsque vous utilisez la scie à chaîne, placez vos deux pieds fermement au sol afin de ne pas perdre l'équilibre.
- N'effectuez pas de coupe au-dessus de la poitrine, étant donné qu'il est difficile à cette hauteur de résister à la pression du rebond.
- N'abattez pas d'arbres près de fils électriques ou d'immeubles.
- N'utilisez la scie à chaîne que si la visibilité et l'éclairage vous permettent de voir clairement.

Bonne prise des poignées

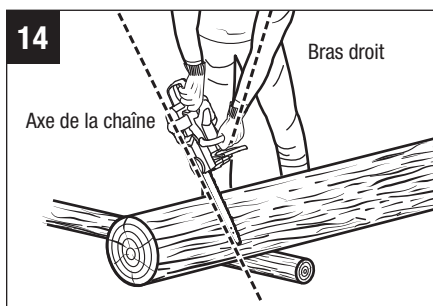
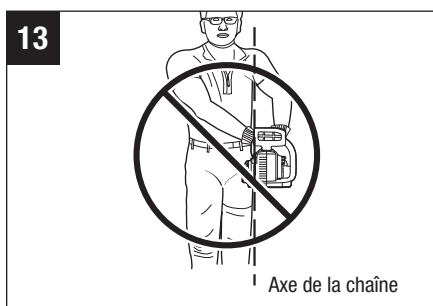
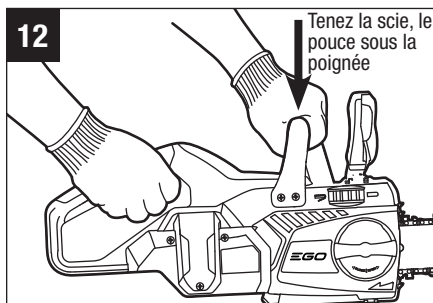
- Portez des gants antidérapants pour une prise et une protection optimales.
- Placez la scie à chaîne sur une surface solide et plane, et tenez-la fermement avec les deux mains.
- Tenez toujours la poignée avant avec la main gauche et la poignée arrière avec la main droite.
- Les doigts doivent entourer les poignées, le pouce enveloppant le bas de la poignée avant (Fig. 12).

⚠ AVERTISSEMENT : N'utilisez jamais de prise inversée (les bras croisés), ou toute autre position qui placerait votre corps ou votre bras dans l'axe de la chaîne.

⚠ AVERTISSEMENT : Ne pressez pas la gâchette avec votre main gauche en tenant la poignée avant avec votre main droite. Ne placez jamais quelque partie de votre corps dans l'axe de la chaîne lorsque vous utilisez une scie (Fig. 13).

Posture de coupe adéquate (Fig. 14)

- Vos pieds doivent reposer fermement sur le sol, et votre poids doit être réparti de façon uniforme.
- Votre bras gauche doit être droit et votre coude, bloqué. Vous pouvez ainsi résister à la pression du rebond.
- Votre corps doit toujours être situé à gauche de l'axe de la chaîne.



COUPE

Coupe rudimentaire

⚠ AVERTISSEMENT : Lorsque le moteur tourne, maintenez toujours une posture stable et tenez la scie à chaîne fermement avec les deux mains.

Avant d'entreprendre des travaux de sciage importants, exercez-vous à couper quelques petites billes en suivant la technique suivante afin de vous familiariser avec votre scie.

1. Adoptez une posture appropriée devant le bois, la scie éteinte.
2. Enfoncez le bouton de blocage et pressez la gâchette pour démarrer la scie à chaîne. Attendez que la chaîne atteigne son plein régime avant de commencer la coupe.
3. Commencez la coupe en exerçant une faible pression sur le bois avec le guide-chaîne. N'appliquez qu'une légère force et laissez la scie faire le travail.
4. Maintenez une vitesse constante tout le long de la coupe et relâchez la pression juste avant la fin.
5. Relâchez la gâchette aussitôt que la coupe est terminée, de façon à permettre à la chaîne d'arrêter.

⚠ AVERTISSEMENT : Si la scie à chaîne se coince pendant la coupe, relâchez la gâchette, retirez la scie et le guide-chaîne du bois et redémarrez la scie.

⚠ AVERTISSEMENT : Ne tirez pas la chaîne quand c'est estiliée avec le bran de scie. Si la scie à chaîne se met en marche accidentellement, ça pourrait causer des blessures graves. Appuyez la chaîne sur le bois, déplacez la scie à chaîne d'avant en arrière pour décharger les débris. Retirez toujours le bloc-pile avant le nettoyage. Portez des gants de protection renforcés lorsque vous manipulez la scie à chaîne.

⚠ AVERTISSEMENT : Ne démarrez jamais la scie à chaîne tandis qu'elle est en contact avec le bois. Attendez que la scie à chaîne atteigne son plein régime avant d'appliquer la scie à bois.

ABATTRE UN ARBRE

Situations dangereuses

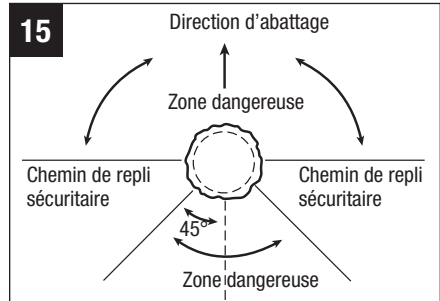
⚠ AVERTISSEMENT : Lors de l'abattage d'un arbre, il est important de tenir compte des avertissements suivants afin d'éviter toute blessure grave.

- N'abattez pas d'arbres par temps de grands vents ou de fortes précipitations. Attendez la fin de ces conditions météorologiques dangereuses.
- N'abattez pas d'arbres inclinés à des angles extrêmes ou de grands arbres dont les branches sont moisies, l'écorce détachée ou le tronc creux. Plutôt, faites-les pousser ou tirer à l'aide de machinerie lourde avant de les couper.
- N'abattez pas d'arbres près de fils électriques ou d'immeubles.
- Vérifiez si l'arbre comporte des branches endommagées ou mortes qui pourraient vous tomber dessus pendant l'abattage.
- Jetez périodiquement un coup d'œil au sommet de l'arbre pendant l'exécution du trait d'abattage afin de vous assurer que l'arbre tombera dans la direction désirée.
- Si l'arbre commence à tomber dans la mauvaise direction ou si la scie se coince ou s'accroche pendant la chute, laissez la scie où elle est et fuyez!

Préparation pour l'abattage d'un arbre

- La distance sécuritaire entre des travaux de tronçonnage et d'abattage effectués simultanément par deux personnes ou plus doit équivaloir au moins au double de la hauteur de l'arbre abattu. Les arbres ne doivent pas être abattus de façon à mettre quiconque en danger, à heurter un câble de service public ou à causer tout dommage matériel. Si un arbre entre en contact avec un câble de service public, l'entreprise concernée doit en être avisée immédiatement.
- L'utilisateur de la scie à chaîne doit se tenir en amont, étant donné que l'arbre abattu roulera ou glissera vraisemblablement vers le bas.

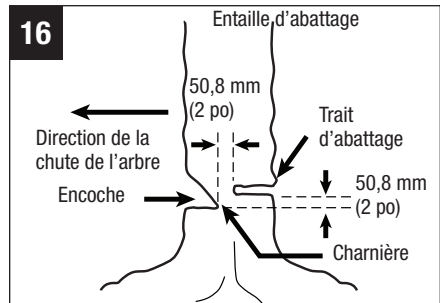
- Avant d'entreprendre tout travail de coupe, déterminez votre chemin de repli (et vos chemins de repli de rechange, si la première est bloquée). Dégagez la zone immédiate autour de l'arbre et assurez-vous que vos chemins de repli prévus ne sont pas obstrués. Dégagez une voie de repli sécuritaire à environ 135° de l'axe de chute prévu de l'arbre. Le chemin de repli doit être orienté de façon diagonale et opposée à l'axe de chute prévu. Voir la figure 15.



- Avant de commencer l'abattage, tenez compte de l'inclinaison naturelle de l'arbre, de l'emplacement des grosses branches et de la direction du vent afin d'évaluer la direction vers laquelle l'arbre tombera.
- Retirez la saleté, les roches, l'écorce détachée, les clous, les agrafes et les fils des emplacements de l'arbre où les traits d'abattage seront effectués.

Entaille d'abattage

Pratiquez l'entaille au tiers du diamètre de l'arbre, perpendiculairement à la direction de la chute (comme le montre la Fig. 16). Creusez l'entaille horizontale inférieure en premier. Cette méthode vous aidera à éviter le coincement de la chaîne ou du guide-chaîne lors de la deuxième entaille.



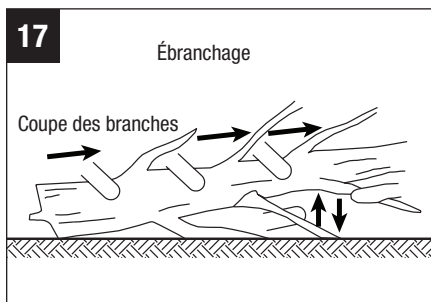
Trait d'abattage

1. Le trait d'abattage doit être situé à au moins 50,8 mm (2 po) au-dessus de l'entaille horizontale (Fig. 16). Le trait d'abattage doit être parallèle à l'entaille d'abattage horizontale. Pratiquez le trait de façon à ce qu'il reste suffisamment de bois pour servir de charnière. Cette charnière empêche l'arbre de tourner et de tomber dans la mauvaise direction. Ne coupez pas à travers la charnière.

2. À mesure que le trait d'abattage s'approche de la charnière, l'arbre devrait commencer à tomber. S'il y a un risque que l'arbre ne tombe pas dans la direction désirée ou bascule vers l'arrière et bloque la scie à chaîne, cessez le trait avant de l'avoir terminé et utilisez des coins d'abattage de bois, de plastique ou d'aluminium, de façon à ouvrir la brèche et faire tomber l'arbre dans l'axe voulu.
3. Quand l'arbre commence à tomber, retirez la scie à chaîne de la brèche, arrêtez le moteur, posez la scie par terre et empruntez le chemin de repli préalablement établi. Faites attention aux branches au-dessus de vous et gardez l'équilibre.

ÉBRANCHAGE

L'ébranchage consiste à retirer les branches d'un arbre abattu. Lorsque vous ébranchez un arbre, ne coupez pas les grosses branches, de façon à ce qu'elles servent d'appui. Retirez les petites branches d'un coup, comme le montre la Fig. 17. Coupez du bas vers le haut les branches soumises à une tension afin d'éviter de coincer la scie à chaîne.

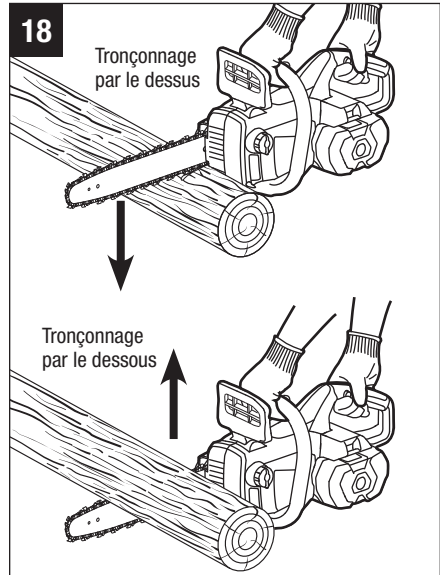


⚠ AVERTISSEMENT : Les travaux d'ébranchage présentent un risque extrême de rebond. Soyez très prudent et évitez de faire toucher le bout du guide-chaîne à la grume ou aux autres branches.

TRONÇONNER UNE GRUME (Fig. 18) :

Le tronçonnage consiste à couper une grume en billes. Il est important de vous assurer que votre assise est ferme et que votre poids est uniformément réparti sur vos deux pieds. Si possible, la grume devrait être soulevée et soutenue par des branches, d'autres morceaux de bois ou des cales. Suivez ces directives simples pour assurer une découpe facile.

⚠ AVERTISSEMENT : Dégagez la zone de coupe. Assurez-vous qu'aucun objet ne peut entrer en contact avec le bout du guide-chaîne ou la chaîne pendant le sciage; un tel contact peut causer un rebond.



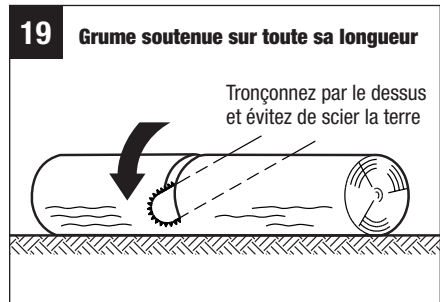
Tronçonnage par le dessus

Commencez à couper au-dessus de la grume avec le dessous de la scie; exercez une légère pression vers le bas. Notez que la scie aura tendance à s'éloigner de vous.

Tronçonnage par le dessous

Commencez à couper au-dessous de la grume avec le dessus de la scie; exercez une légère pression vers le haut. Notez que la scie aura tendance à s'approcher de vous. Soyez préparé à la réaction de la scie, et tenez-la fermement afin d'en garder le contrôle.

- Si la grume est appuyée sur toute sa longueur, tronçonnez-la par le dessus (Fig. 19).



- Si la grume n'est soutenue que d'une extrémité, coupez-en un tiers du diamètre par le dessous. Effectuez ensuite le trait de finition par le dessus afin de rejoindre le premier trait (Fig. 20).
- Si la grume est soutenue aux deux extrémités, coupez-en un tiers du diamètre par le dessus. Effectuez ensuite le trait de finition des deux tiers restants par le dessous afin de rejoindre le premier trait (Fig. 21).
- Lorsque vous tronçonnez sur une pente, placez-vous en amont de la grume (Fig. 22).
- Afin de garder un contrôle total, relâchez la pression vers la fin de la coupe, sans détendre la prise des poignées de la scie à chaîne. Ne laissez pas la chaîne toucher le sol. Après la coupe, attendez l'arrêt de la scie à chaîne avant de la déplacer. Arrêtez toujours le moteur avant de passer à un autre arbre.

20 Grume soutenue à une extrémité

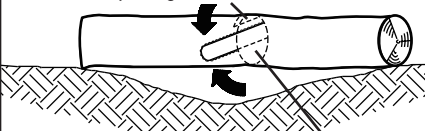
Deuxième trait par le dessus (deux tiers du diamètre) afin de rejoindre le premier trait (et éviter un coincement de la chaîne)



Premier trait par le dessous (un tiers du diamètre) afin d'éviter que la grume ne se fende en éclats

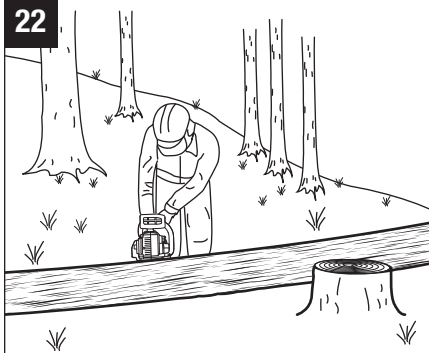
21 Grume soutenue aux deux extrémités

Premier trait par le dessus (un tiers du diamètre) afin d'éviter que la grume ne vole en éclats



Deuxième trait par le dessous (deux tiers du diamètre) afin de rejoindre le premier trait (et éviter un coincement de la chaîne)

22



ENTRETIEN

⚠ AVERTISSEMENT : Lorsque vous procédez à l'entretien de la scie à chaîne, utilisez uniquement des pièces de remplacement identiques à celles d'origine. L'utilisation de toute autre pièce peut constituer un danger ou endommager le produit.

⚠ AVERTISSEMENT : Lorsque vous utilisez un outil électrique ou soufflez la poussière, portez toujours des lunettes de sécurité couvrantes ou à écrans latéraux. Si la tâche génère de la poussière, portez également un masque antipoussières.

⚠ AVERTISSEMENT : Pour éviter des blessures graves, retirez toujours le bloc-pile de la scie à chaîne avant de procéder à l'inspection, à l'entretien ou au nettoyage. Un outil alimenté par un bloc-pile dont le bloc-pile est inséré est toujours allumé et peut démarrer accidentellement.

⚠ AVERTISSEMENT : Lors du nettoyage de la scie à chaîne, NE l'immergez PAS dans l'eau ou dans un autre liquide.

⚠ AVERTISSEMENT : Ne laissez en aucun temps du liquide pour freins, de l'essence, des produits à base de pétrole, des huiles dégrippantes et autres produits de ce genre entrer en contact avec les pièces en plastique. Les produits chimiques peuvent endommager, affaiblir ou détruire le plastique et engendrer ainsi des risques de blessures graves.

NETTOYAGE

- Après chaque utilisation, retirez les débris de la chaîne et du guide-chaîne à l'aide d'une brosse douce. Essuyez la surface de la scie à chaîne au moyen d'un linge propre et d'une solution de savon doux.
- Enlevez le panneau latéral, puis utilisez une brosse douce afin de retirer les débris du guide-chaîne, de la chaîne, du pignon d'entraînement et du panneau.
- Lors du remplacement de la chaîne de la scie, retirez toujours les copeaux de bois, le bran de scie et la saleté de la rainure du guide-chaîne.

REEMPLACER LE GUIDE-CHAÎNE ET LA CHAÎNE

⚠ AVERTISSEMENT : Avant d'effectuer l'entretien de la scie, assurez-vous que le bloc-pile est retiré. Le non-respect de cet avertissement peut occasionner des blessures graves.

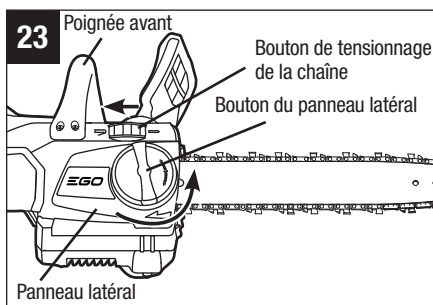
⚠ AVERTISSEMENT : Portez toujours des gants lorsque vous manipulez le guide et la chaîne, étant donné que ces composants sont tranchants et peuvent comprendre des bavures.

⚠ AVERTISSEMENT : Ne touchez ni n'ajustez jamais la chaîne pendant que le moteur tourne. La chaîne de la scie est très tranchante; portez toujours des gants de protection lorsque vous en effectuez l'entretien.

AVIS : Lors du remplacement du guide-chaîne et de la chaîne, utilisez toujours la combinaison indiquée dans la section ci-après : « **Guide-chaîne et chaîne recommandés pour cette scie à chaîne** ».

Démonter le guide-chaîne et la chaîne usés

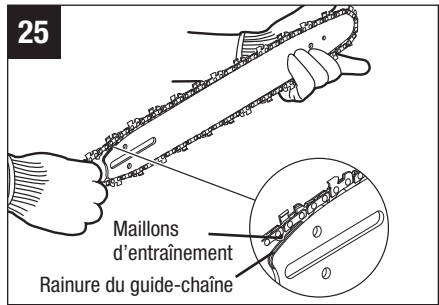
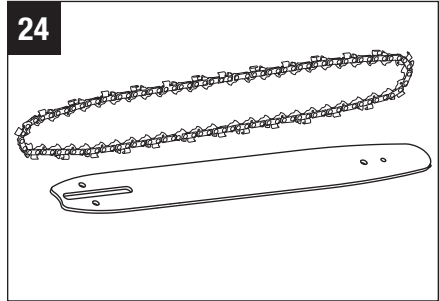
1. Retirez le bloc-pile, laissez la scie refroidir et serrez le capuchon du réservoir d'huile.
2. Placez la scie à chaîne sur le côté sur une surface solide et plane, de façon à ce que le panneau latéral pointe vers le haut (Fig. 23).
3. Portez des gants. Retirez le panneau latéral en tournant sa poignée dans le sens contraire des aiguilles d'une montre (Fig. 23). Utilisez un linge sec pour nettoyer le panneau.
4. Tournez autant que possible le bouton de tensionnage de la chaîne vers la poignée avant (Fig.23). Retirez la chaîne usée du guide. Retirez la chaîne usée du guide-chaîne.



AVIS : Le moment est bien choisi pour vérifier l'absence d'usure ou de dommages excessifs sur le pignon d'entraînement.

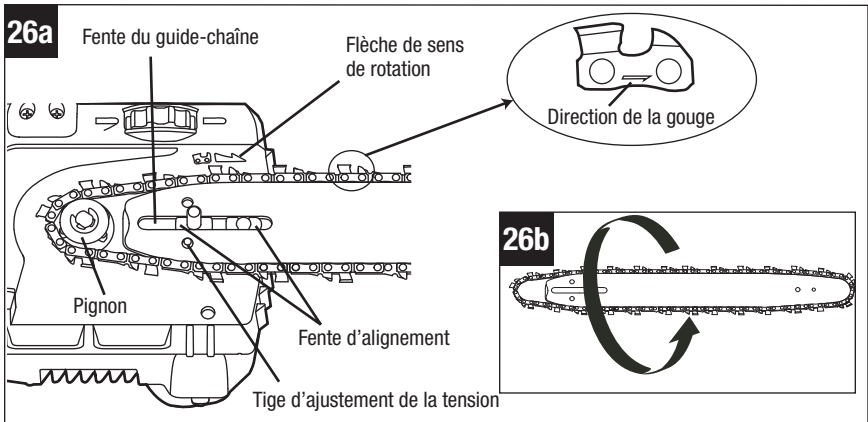
Assembler le nouveau guide-chaîne et la nouvelle chaîne

1. Retirez le bloc-pile, laissez la scie refroidir et serrez le capuchon du réservoir d'huile.
2. Faites une boucle sur une surface plane avec la nouvelle chaîne en redressant tout pli (Fig. 24).
3. Insérez les maillons d'entraînement dans la rainure du guide-chaîne. Positionnez la chaîne de la scie de façon qu'une boucle se forme à l'arrière du guide-chaîne (Fig. 25).
4. Tenez la chaîne en place sur le guide-chaîne et entourez le pignon d'entraînement de l'ensemble moteur avec la boucle.



AVIS : De petites flèches sont gravées

dans la chaîne de la scie (Fig. 26a). Une autre flèche figure sur le boîtier (Fig. 26a). Quand vous entourez le pignon d'entraînement avec la chaîne de la scie, assurez-vous que les flèches de la chaîne et celle du boîtier pointent dans la même direction. Si elles pointent dans des directions opposées, retournez l'assemblage de la chaîne de la scie et du guide-chaîne (Fig. 26b.)



5. Placez le guide-chaîne sur la surface de montage en glissant le goujon d'alignement de l'ensemble moteur dans la fente du guide-chaîne, et assurez-vous que la tige d'ajustement de la tension est insérée dans le trou du bas de la base du guide-chaîne (Fig. 26a).
6. Remplacez le panneau latéral et serrez-le légèrement en tournant sa poignée dans le sens des aiguilles d'une montre. Le guide-chaîne doit pouvoir bouger pour que vous puissiez tensionner la chaîne.

AVIS : Pour augmenter la durée de vie du guide-chaîne, retournez-le occasionnellement.

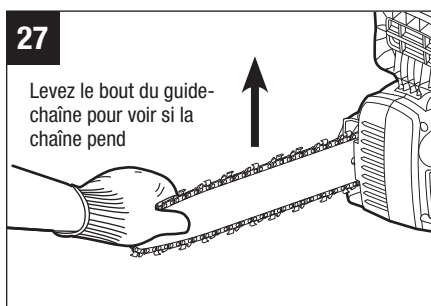
⚠ MISE EN GARDE : La chaîne de scie doit être correctement tensionnée avant l'utilisation.

7. Enlevez le jeu de la chaîne en tournant le bouton de tensionnage dans le sens des aiguilles d'une montre jusqu'à ce que la chaîne soit serrée sur le guide-chaîne, les dents de ses maillons d'entraînement étant insérées dans la rainure du guide-chaîne.

8. Levez le bout du guide-chaîne pour voir si la chaîne pend (Fig. 27).

Si c'est le cas, lâchez le bout du guide-chaîne et tournez une fois le bouton de tensionnage dans le sens des aiguilles d'une montre. Répétez l'opération jusqu'à ce que la chaîne ne pende plus.

9. Gardez le bout du guide-chaîne dans les airs et serrez bien le bouton du panneau latéral. La chaîne est correctement tensionnée quand elle ne pend pas sous le guide-chaîne et qu'elle est serrée, mais qu'elle peut être tournée à la main sans coincer.



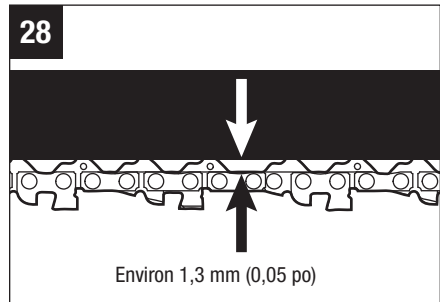
AVIS : Si la chaîne est trop serrée, elle ne tournera pas. Desserrez légèrement le bouton du panneau latéral et tournez une fois le bouton de tensionnage dans le sens contraire des aiguilles d'une montre. Levez le bout du guide-chaîne et resserrez bien le bouton du panneau latéral. Assurez-vous que la chaîne tourne sans coincer.

RÉGLER LA TENSION DE LA CHAÎNE

1. Arrêtez le moteur et retirez le bloc-pile avant de régler la tension de la chaîne.
 2. Desserrez le bouton du panneau latéral.
 3. Tournez une fois le bouton de tensionnage dans le sens des aiguilles d'une montre pour tensionner la chaîne. Consultez la section « ASSEMBLER OU REMPLACER LE GUIDE-CHAÎNE ET LA CHAÎNE » ci-dessus dans le présent guide d'utilisation pour obtenir plus de renseignements.
- Une chaîne froide est correctement tensionnée quand elle ne pend pas sous le guide-chaîne et qu'elle est serrée, mais qu'elle peut être tournée à la main sans coincer. La chaîne doit être tensionnée de nouveau quand la dent des maillons d'entraînement ne disparaît plus complètement dans la rainure.
 - La température de la chaîne augmentera dans le cadre de l'utilisation normale de la scie à chaîne. Les maillons d'entraînement d'une chaîne réchauffée bien tensionnée pendront d'environ 1,3 mm (0,05 po) hors de la rainure du guide-chaîne (Fig. 28).

AVIS : Les chaînes neuves tendent à s'étirer, alors vérifiez fréquemment leur tension et tensionnez-les au besoin.

AVIS : Une chaîne tensionnée à chaud pourrait être trop serrée à son refroidissement. Avant de la réutiliser, vérifiez sa tension à froid.



ENTRETIEN DE LA CHAÎNE

⚠ AVERTISSEMENT : Pour éviter des blessures graves, retirez le bloc-pile avant de procéder à l'entretien de la scie à chaîne.

⚠ AVERTISSEMENT : Portez toujours des gants lorsque vous manipulez la chaîne de la scie, étant donné que ces composants sont tranchants et peuvent comprendre des bavures.

N'utilisez que des chaînes à faible rebond avec cette scie. Une telle chaîne à coupe rapide offrira une réduction du rebond si elle est bien entretenue.

Une chaîne bien affûtée coupe le bois sans effort, même si vous exercez une pression minime.

N'utilisez jamais une chaîne émoussée ni endommagée. Une gouge émoussée entraîne une augmentation de l'effort physique demandé et de la vibration, des résultats de découpe insatisfaisants et une usure accrue.

Pour assurer une découpe rapide et en douceur, la chaîne doit être correctement entretenue. Vous devez affûter la chaîne lorsque les copeaux de bois sont petits et poudreux, que vous devez exercer une pression accrue sur la scie pendant la découpe ou que la chaîne ne coupe que d'un côté. Lors de l'entretien de la chaîne, tenez compte des éléments suivants :

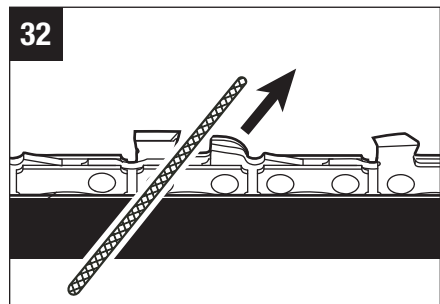
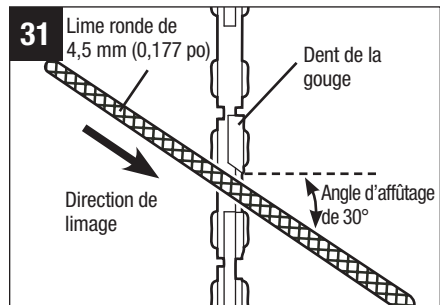
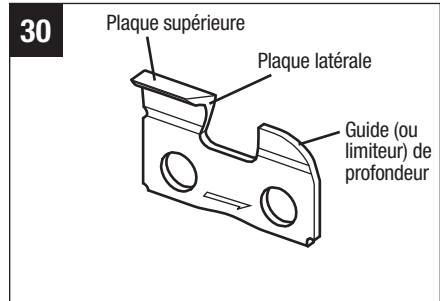
- Un angle d'affûtage incorrect de la plaque latérale peut accroître le risque de rebond important.
- Réglage du guide (ou limiteur) de profondeur : Un réglage trop profond accroît le risque de rebond. Une profondeur insuffisante réduit l'efficacité de coupe.
- Si les dents de la gouge ont heurté des objets durs comme des clous ou des pierres ou ont été abrasées par de la boue ou du sable se trouvant sur le bois, faites affûter la chaîne par un technicien qualifié.

AVIS : Lors du remplacement de la chaîne, vérifiez l'absence d'usure ou de dommages excessifs sur le pignon d'entraînement. S'il présente des signes d'usure ou d'endommagement, faites-le remplacer par un technicien qualifié.

Comment affûter les gouges

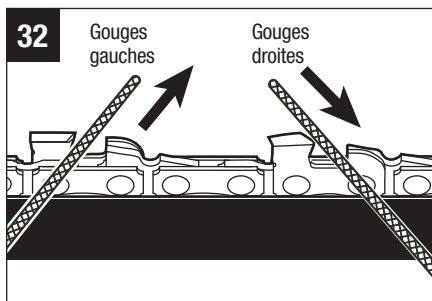
Veillez à limer toutes les gouges (Fig. 29) aux angles spécifiés et à la même longueur, car des gouges uniformes sont nécessaires à une coupe rapide.

1. Retirez le bloc-pile. Portez des gants de protection.
2. Tensionnez correctement la chaîne avant de procéder à l'affûtage. Pour ce faire, consultez la section « **RÉGLER LA TENSION DE LA CHAÎNE** » ci-dessus dans le présent guide d'utilisation.
3. Utilisez une lime ronde de 4,5 mm (0,177 po) et un porte-lime (non inclus). Tout le limage doit être effectué au point central du guide-chaîne.
4. Gardez la lime de niveau avec la plaque supérieure de la dent. Ne l'inclinez pas et ne la faites pas basculer.
5. Conservez un angle d'affûtage de 30° entre la lime et la chaîne de la scie; voir les Fig. 30 et 31. Utilisez toujours un porte-lime (non inclus) pendant l'affûtage manuel. Les porte-limes sont munis d'indicateurs d'angles d'affûtage.



6. Exercez une pression légère, mais ferme, puis limez en direction du coin avant de la dent. Soulevez la lime du métal après chaque retour.

7. Effectuez quelques passes fermes sur chaque dent. Limez toutes les gouges de gauche dans un sens. Ensuite, passez de l'autre côté et limez toutes les gouges de droite dans l'autre sens. De temps à autre, éliminez la limaille de la lime au moyen d'une brosse métallique (Fig. 32).



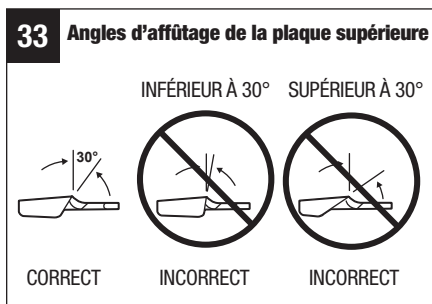
⚠ AVERTISSEMENT : Une chaîne émoussée ou incorrectement affûtée peut causer une vitesse excessive du moteur pendant la coupe et l'endommager gravement.

⚠ AVERTISSEMENT : Une chaîne incorrectement affûtée accroît le risque de rebond.

⚠ AVERTISSEMENT : Une chaîne endommagée non remplacée ou non réparée peut causer des blessures graves.

Angles d'affûtage de la plaque supérieure (Fig. 33).

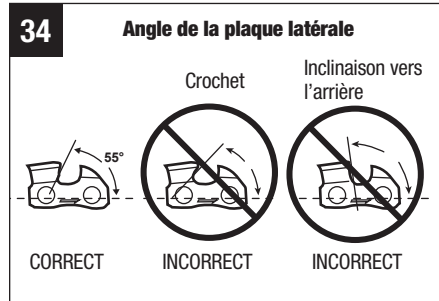
- ANGLE CORRECT DE 30° – on n'obtient cet angle optimal que si l'on utilise les limes et les réglages indiqués. Les porte-limes sont munis d'indicateurs servant à aligner la lime correctement, de façon à produire le bon angle d'affûtage de la plaque supérieure.



- ANGLE INFÉRIEUR À 30° – la dent est trop émoussée pour effectuer une coupe.
- ANGLE SUPÉRIEUR À 30° – la lame de la dent est amincie et s'émousse rapidement.

Angle de la plaque latérale (Fig. 34).

- ANGLE CORRECT DE 55° – on obtient cet angle optimal automatiquement si la lime circulaire de la bonne dimension est utilisée dans le porte-lime.
- CROCHET – « s'accroche » et s'émousse rapidement. Accroît le risque de REBOND. Un crochet est causé par une lime trop petite ou tenue trop bas.
- INCLINAISON VERS L'ARRIÈRE – requiert trop de pression d'alimentation et use excessivement le guide-chaîne et la chaîne. Un crochet est causé par une lime trop petite ou tenue trop bas.

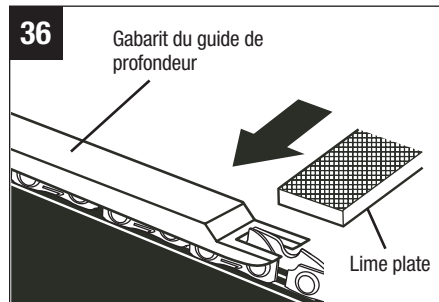
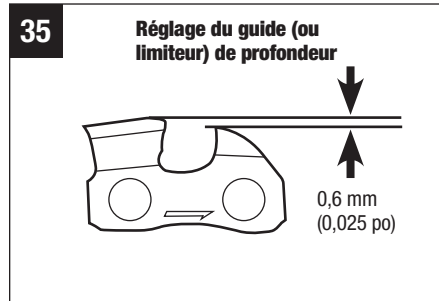


Réglage du guide (ou limiteur) de profondeur

1. Le guide de profondeur doit être réglé à 0,6 mm (0,025 po), comme le montre la Fig. 35. Utilisez un outil de guide de profondeur (non inclus) pour vérifier ce réglage.
2. Chaque fois que vous limez la chaîne, vérifiez le réglage du guide de profondeur.

Utilisez une lime plate et un gabarit (non inclus) pour abaisser tous les guides de façon uniforme (Fig. 36). Les gabarits sont offerts en tailles allant de 0,5 à 0,9 mm (0,02 à 0,035 po). Utilisez un gabarit de 0,6 mm (0,025 po).

Utilisez la lime plate pour ajuster les guides de profondeur dans la même direction vers laquelle la gouge adjacente a été limée avec la lime ronde. Prenez soin de ne pas toucher le devant de la gouge avec la lime plate lorsque vous ajustez les guides de profondeur.

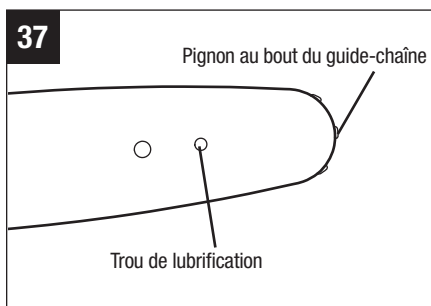


ENTRETIEN DU GUIDE-CHAÎNE

Lorsque le guide-chaîne présente des signes d'usure, retournez-le sur la scie afin de répartir son usure et d'optimiser sa durée de vie. Vous devez le nettoyer après chaque jour d'utilisation et vérifier l'absence d'usure ou de dommages. L'amincissement ou l'apparition de bavures sur les parois de la rainure du guide-chaîne est un processus d'usure normal. De tels défauts doivent être limés dès leur apparition. Un guide-chaîne avec n'importe lequel des défauts suivants doit être remplacé.

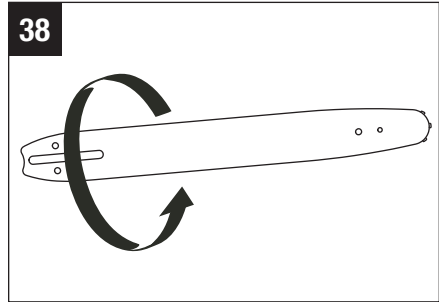
- Usure de l'intérieur des parois de la rainure du guide-chaîne, qui permet à la chaîne de se coucher sur le côté.
- Guide-chaîne tordu.
- Parois de la rainure fendues ou brisées.
- Parois de la rainure écartées.

En outre, le bout du guide-chaîne est muni d'un pignon. Ce dernier doit être lubrifié hebdomadairement à l'aide d'une seringue à graisse afin de prolonger la vie utile du guide-chaîne. Au moyen de la seringue, injectez l'huile de la chaîne dans le trou de lubrification, une fois par semaine (Fig. 37). Retournez le guide et assurez-vous que les trous de lubrification et la rainure de la chaîne sont propres.



Retourner le guide-chaîne

1. Retirez le guide-chaîne et la chaîne de la scie en consultant la section « **ASSEMBLER OU REMPLACER LE GUIDE-CHAÎNE ET LA CHAÎNE** ».
2. Retirez la chaîne du guide-chaîne, puis retournez le guide-chaîne (Fig. 38). Le dessous du guide sera ainsi au-dessus.
3. Remplacez la chaîne sur le guide.
4. Réassemblez le guide-chaîne et la chaîne sur la scie, et réglez la tension de la chaîne en vous rapportant aux sections « **ASSEMBLER OU REMPLACER LE GUIDE-CHAÎNE ET LA CHAÎNE** » et « **RÉGLER LA TENSION DE LA CHAÎNE** ».



TRANSPORT ET ENTREPOSAGE

- Ne transportez ou ne remisez jamais la scie à chaîne lorsque le moteur tourne. Retirez toujours le bloc-pile lorsque vous l'entrezposez ou la transportez.
- Placez systématiquement la gaine sur le guide-chaîne et la chaîne avant de ranger ou de transporter la scie à chaîne.
- Nettoyez complètement la scie à chaîne avant de la ranger. Entrezposez la scie à chaîne à l'intérieur, dans un endroit sec fermé à clé ou auquel les enfants n'ont pas accès.
- Rangez-la à l'écart des agents corrosifs, comme des produits chimiques de jardinage ou des sels de déglacage.

DÉPANNAGE

⚠ AVERTISSEMENT : Protégez toujours vos mains au moyen de gants épais lorsque vous procédez à tout entretien de la scie à chaîne. Retirez toujours le bloc-pile lorsque vous procédez à l'entretien de la scie à chaîne ou que vous la transportez.

PROBLÈME	CAUSE	SOLUTION
Le moteur ne tourne pas.	<ul style="list-style-type: none"> Le bloc-pile n'est pas installé sur la scie à chaîne. 	<ul style="list-style-type: none"> Installez le bloc-pile sur la scie à chaîne.
	<ul style="list-style-type: none"> Il n'y a aucun contact électrique entre la scie à chaîne et le bloc-pile. 	<ul style="list-style-type: none"> Retirez le bloc-pile, vérifiez les contacts électriques et réinstallez le bloc-pile.
	<ul style="list-style-type: none"> Le bloc-pile est déchargé. 	<ul style="list-style-type: none"> Chargez le bloc-pile.
	<ul style="list-style-type: none"> La scie à chaîne ou le bloc-pile est trop chaud. 	<ul style="list-style-type: none"> Laissez la scie à chaîne ou le bloc-pile refroidir; leur température doit être inférieure à 67°C (152°F).
	<ul style="list-style-type: none"> Le bouton de blocage n'est pas actionné avant que la gâchette ne soit activée. 	<ul style="list-style-type: none"> Pour mettre en marche la scie à chaîne, maintenez le bouton de blocage enfoncé lorsque vous appuyez sur la gâchette.
	<ul style="list-style-type: none"> Le frein de la chaîne est actionné. 	<ul style="list-style-type: none"> Tirez la poignée du frein à rebond de la chaîne vers l'arrière, vers la poignée avant.
	<ul style="list-style-type: none"> La chaîne est liée dans le bois. 	<ul style="list-style-type: none"> Relâchez la gâchette; retirez la chaîne et le guide-chaîne du bois, puis redémarrez la scie à chaîne.
	<ul style="list-style-type: none"> Débris dans la rainure du guide-chaîne 	<ul style="list-style-type: none"> Appuyez la chaîne sur le bois, déplacez la scie à chaîne d'avant en arrière pour décharger les débris.
	<ul style="list-style-type: none"> Il y a des débris dans le panneau latéral. 	<ul style="list-style-type: none"> Retirez le bloc-pile suivi du panneau latéral, puis enlevez les débris.
Le moteur tourne, mais pas la chaîne.	<ul style="list-style-type: none"> La chaîne n'est pas engagée dans le pignon d'entraînement. 	<ul style="list-style-type: none"> Réinstallez la chaîne en vous assurant que ses maillons d'entraînement reposent entièrement sur le pignon.

Le frein de la chaîne ne s'actionne pas.	<ul style="list-style-type: none"> Des débris empêchent le mouvement complet de la poignée du frein à rebond de la chaîne. 	<ul style="list-style-type: none"> Retirez les débris du mécanisme externe de frein de la chaîne.
	<ul style="list-style-type: none"> Le frein de la chaîne fonctionne possiblement mal. 	<ul style="list-style-type: none"> Communiquez avec le service à la clientèle d'EGO.
La scie à chaîne ne coupe pas correctement.	<ul style="list-style-type: none"> La chaîne n'est pas suffisamment tendue. 	<ul style="list-style-type: none"> Réajustez la tension de la chaîne en consultant la section « RÉGLER LA TENSION DE LA CHAÎNE ».
	<ul style="list-style-type: none"> La chaîne est émoussée. 	<ul style="list-style-type: none"> Affûtez les gouges de la chaîne en consultant la section « COMMENT AFFÛTER LES GOUGES ».
	<ul style="list-style-type: none"> La chaîne est installée à l'envers. 	<ul style="list-style-type: none"> Réinstallez la chaîne de la scie en suivant les consignes de la partie intitulée « ASSEMBLER OU REMPLACER LE GUIDE-CHAÎNE ET LA CHAÎNE ».
	<ul style="list-style-type: none"> La chaîne est usée. 	<ul style="list-style-type: none"> Remplacez la chaîne en consultant la section « ASSEMBLER OU REMPLACER LE GUIDE-CHAÎNE ET LA CHAÎNE ».
	<ul style="list-style-type: none"> La chaîne est sèche ou excessivement étirée. 	<ul style="list-style-type: none"> Vérifiez le niveau d'huile. Remplissez le réservoir d'huile, au besoin.
	<ul style="list-style-type: none"> La chaîne n'est pas dans la rainure du guide-chaîne. 	<ul style="list-style-type: none"> Réinstallez la chaîne de la scie en suivant les consignes de la partie intitulée « ASSEMBLER OU REMPLACER LE GUIDE-CHAÎNE ET LA CHAÎNE ».
La chaîne et le guide-chaîne sont chauds et produisent de la fumée.	<ul style="list-style-type: none"> Vérifiez que la chaîne n'est pas trop tendue. 	<ul style="list-style-type: none"> Ajustez la tension de la chaîne de la scie en suivant les consignes de la partie intitulée « RÉGLER LA TENSION DE LA CHAÎNE ».
	<ul style="list-style-type: none"> Le réservoir d'huile de la chaîne est vide. 	<ul style="list-style-type: none"> Remplissez le réservoir de lubrifiant du guide-chaîne et de la chaîne.
	<ul style="list-style-type: none"> Il y a des débris dans la rainure du guide-chaîne. 	<ul style="list-style-type: none"> Nettoyez la rainure.

GARANTIE

POLITIQUE D'EGO EN MATIÈRE DE GARANTIE

Une garantie limitée de cinq (5) ans est offerte pour l'équipement électrique d'extérieur EGO et une garantie limitée de trois (3) ans est offerte pour les chargeurs et les blocs-piles EGO Power+.

Veuillez communiquer avec le service à la clientèle d'EGO au 1 855 EGO-5656 (numéro sans frais) pour toute question sur les réclamations au titre de la garantie.

GARANTIE LIMITÉE

À compter de la date d'achat originale, ce produit EGO est garanti **PENDANT CINQ (5) ANS** contre les défauts de matériaux et de fabrication. Les produits défectueux seront réparés gratuitement.

À compter de la date d'achat originale, le chargeur et le bloc-pile EGO Power+ sont garantis **PENDANT TROIS (3) ANS** contre les défauts de matériaux et de fabrication.

Les produits défectueux seront réparés gratuitement.

La présente garantie ne couvre pas le matériel et les pièces utilisés pour l'entretien régulier, comme la chaîne de la scie et le guide-chaîne, qui peuvent s'user dans des conditions normales d'utilisation pendant la période de garantie.

- a) La présente garantie s'applique uniquement à l'acheteur au détail d'origine et est non transférable.
- b) La période de garantie pour toute pièce ou tout produit EGO utilisé à des fins industrielles, professionnelles ou commerciales est de un (1) an.
- c) La présente garantie n'est pas valide si le produit a été utilisé aux fins de location.
- d) La présente garantie ne couvre pas les dommages résultant d'une modification, d'une altération ou d'une réparation non autorisée.
- e) La présente garantie couvre uniquement les défauts survenant dans le cadre d'une utilisation normale et ne couvre aucun dysfonctionnement, ni aucun défaut, ni aucune défaillance découlant d'un usage inapproprié ou abusif (notamment un usage entraînant la surcharge du produit ou un usage exposant le produit à l'eau et à la pluie), d'un accident, d'une négligence ou de toute installation, de tout entretien ou de tout entreposage inadéquats.

- f) La présente garantie ne couvre pas la détérioration normale du fini extérieur, notamment les rayures, les bosselures, les craquelures de la peinture ou toute corrosion ou décoloration résultant de la chaleur, de produits abrasifs ou de nettoyeurs chimiques.

RÉCLAMATION AU TITRE DE LA GARANTIE

Pour faire une réclamation au titre de la garantie, veuillez communiquer avec le service à la clientèle d'EGO au 1 855 EGO-5656 (numéro sans frais). Lorsque vous faites une réclamation au titre de la garantie, vous devez présenter le reçu de vente original. Un centre de service autorisé sera sélectionné pour la réparation du produit conformément aux conditions de garantie prescrites.

RESTRICTIONS SUPPLÉMENTAIRES

Dans les limites prescrites par la législation locale, toutes les garanties implicites, notamment les garanties de QUALITÉ MARCHANDE ou d'ADÉQUATION POUR UN USAGE PARTICULIER, sont non valides. Toute garantie implicite, notamment les garanties de qualité marchande ou d'adéquation pour un usage particulier, qui ne peut être déclinée en vertu de la législation provinciale est limitée à cinq (5) ans à compter de la date d'achat pour l'équipement électrique d'extérieur et à trois (3) ans à compter de la date d'achat pour les chargeurs et blocs-piles.

Chervon North America n'est pas responsable des dommages accessoires, consécutifs, indirects ou directs.

Certaines provinces et certains États n'autorisent pas les restrictions de durée de garantie implicite, ou l'exclusion ou la restriction des dommages consécutifs et accessoires; c'est pourquoi les restrictions ci-dessus peuvent ne pas s'appliquer à votre cas.

La présente garantie vous confère des droits précis. Il est possible que vous disposiez également d'autres droits, qui varient d'une province ou d'un État à l'autre.

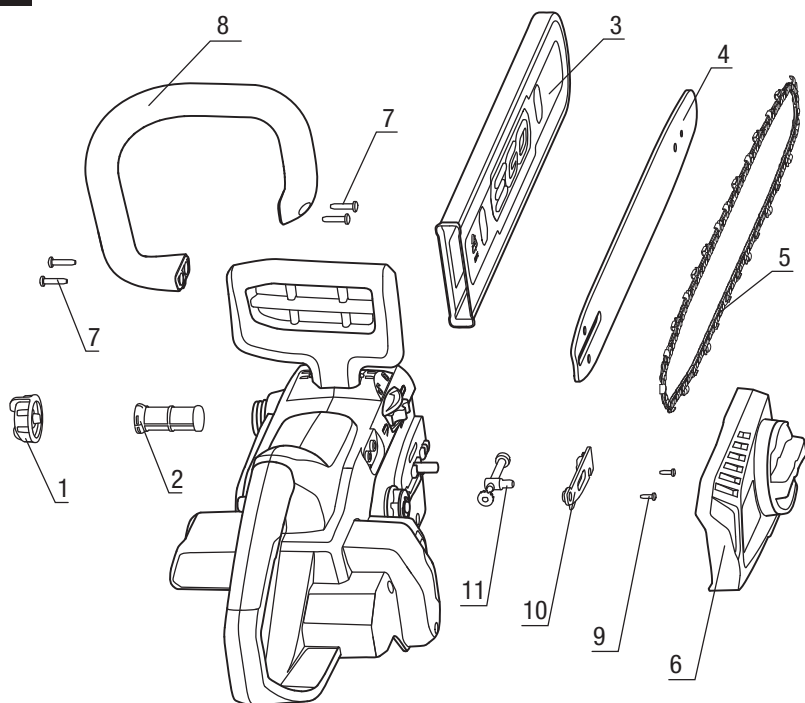
Pour communiquer avec le service à la clientèle, veuillez composer le numéro sans frais 1 855 EGO-5656 ou consulter le site Web EGOPOWERPLUS.COM.

EGO Customer Service, 120 Ionia Street SW / Suite 102 Grand Rapids,
MI 49503 États-Unis

LISTE DES PIÈCES

SCIE À CHAÎNE SANS FIL À BLOC-PILE AU LITHIUM-ION DE 56V NUMÉRO DE MODÈLE CS1400

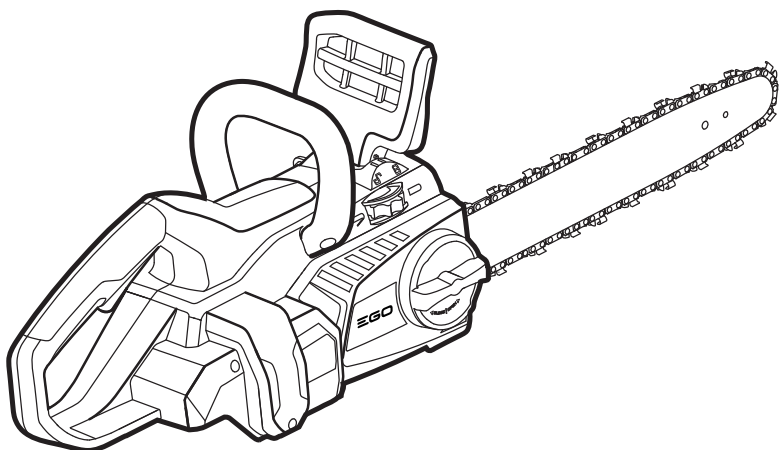
Le numéro de modèle se trouve sur la plaque signalétique fixée au boîtier de la scie à chaîne. Lorsque vous commandez des pièces pour cet outil, indiquez toujours le numéro de modèle.

40

NUMÉRO D'INDEX	N° DE PIÈCE	DESCRIPTION	CARACTÉRISTIQUES TECHNIQUES	QTÉ
1	3127499000	Capuchon du réservoir d'huile		1
2	3402502000	Filtre à huile		1
3	3127500000	Gaine de la chaîne		1
4	3705657000	Guide-chaîne	350 mm (14 po)	1
5	3810637000	Chaîne de la scie		1
6	2823860000	Ensemble panneau latéral		1
7	5610042000	Vis	ST4.2 x 19	4
8	3127504000	Poignée avant		1
9	5610011000	Vis	ST2.9X10	2
10	3421169000	Plaque de protection		1
11	2823167000	Ensemble vis de tensionnage		1

EGO[®]

POWER⁺ CHAIN SAW



MANUAL DEL USUARIO

MOTOSIERRA INALÁMBRICA DE IONES DE LITIO DE 56 VOLTIOS

NÚMERO DE MODELO CS1400

⚠ ADVERTENCIA: Para reducir el riesgo de lesiones, el usuario debe leer y comprender el Manual del usuario antes de usar este producto. Guarde estas instrucciones para referencia futura.

ÍNDICE

Símbolos de seguridad	112
Instrucciones de seguridad	113-125
Introducción	126
Especificaciones	127
Lista de empaque	127
Descripción	128-130
Ensamblaje	131
Operación	132-145
Mantenimiento	146-156
Solución de problemas	157-158
Garantía	159-160
Lista de piezas	161-162

LEA TODAS LAS INSTRUCCIONES



LEA Y COMPRENDA EL
MANUAL DE INSTRUCCIONES

⚠ ADVERTENCIA: Algunos tipos de polvo que produce el corte con máquinas contienen sustancias químicas consideradas cancerígenas, o causantes de defectos de nacimiento u otros daños al aparato reproductor, por el Estado de California. Algunos ejemplos de estas sustancias químicas son:

- el plomo de pinturas a base de plomo;
- sílice cristalina de ladrillos, cemento y otros productos de mampostería; y
- arsénico y cromo de la madera tratada químicamente.

El riesgo de sufrir estas exposiciones varía, según la frecuencia con que haga este tipo de trabajo. Para reducir la exposición a estas sustancias químicas: trabaje en un lugar bien ventilado, y trabaje con equipos de seguridad aprobados, como mascarillas antipolvo que están diseñadas especialmente para filtrar partículas microscópicas.

SÍMBOLOS DE SEGURIDAD

El propósito de los símbolos de seguridad es llamar la atención a posibles peligros. Los símbolos de seguridad y sus explicaciones merecen una atención y comprensión minuciosas. Las advertencias de los símbolos, por sí mismas, no eliminan los peligros. Las instrucciones y las advertencias que hacen no sustituyen las medidas de prevención de accidentes que correspondan.

⚠ ADVERTENCIA: Asegúrese de leer y comprender todas las instrucciones de seguridad que contiene este Manual de operación, incluidos todos los símbolos de alerta de seguridad como “**PELIGRO**”, “**ADVERTENCIA**” y “**PRECAUCIÓN**” antes de usar esta herramienta. Si no se siguen todas las instrucciones que figuran a continuación se pueden producir electrocuciones, incendios y lesiones.

SIGNIFICADO DEL SÍMBOLO

⚠ SÍMBOLOS DE ALERTA DE SEGURIDAD: Indica **PELIGRO**, **ADVERTENCIA** o **PRECAUCIÓN**. Puede aparecer junto con otros símbolos o pictografías.



⚠ ADVERTENCIA: La utilización de herramientas eléctricas puede hacer ingresar objetos extraños en los ojos y provocar daños graves a estos órganos. Antes de comenzar a utilizar la herramienta eléctrica, colóquese siempre gafas de seguridad o anteojos de seguridad con protectores laterales y una máscara que cubra todo el rostro si es necesario. Recomendamos utilizar una máscara de seguridad de visión amplia sobre los anteojos o gafas de seguridad estándar con protectores laterales. Siempre use lentes de protección que cumplan con la norma ANSI Z87.1.

INSTRUCCIONES DE SEGURIDAD

Esta página muestra y describe los símbolos de seguridad que pueden aparecer en este producto. Lea, comprenda y siga todas las instrucciones de la máquina antes de ensamblarla y utilizarla.

	Alerta de seguridad	Indica un peligro potencial de producir lesiones.
	Lea el manual del operador.	Para reducir el riesgo de lesiones, el usuario debe leer el manual del operador.
	Use protección para los ojos	Al utilizar este producto, colóquese siempre gafas o anteojos de seguridad con protectores laterales y una máscara que cubra todo el rostro.
	Use protección para los oídos	El ruido de una motosierra puede dañar los oídos. Siempre use protección acústica (tapones para oídos u orejeras) para proteger sus oídos.
	Use protección para la cabeza	Use un casco de seguridad aprobado para protegerse la cabeza.
	Use guantes de protección	Protéjase las manos con guantes cuando manipule sierras y motosierras. Los guantes antideslizantes para trabajo pesado mejoran el agarre y protegen sus manos.
	Tenga cuidado con el efecto rebote.	Debe evitarse el contacto de la punta de la espada con cualquier objeto.
	Efecto rebote de la punta de la espada	El contacto de la punta puede hacer que la espada se mueva repentinamente hacia arriba y hacia abajo, lo que puede provocar lesiones graves.

	<p>Uso de las dos manos</p>	<p>Siempre use las dos manos al trabajar con la motosierra.</p>
	<p>Símbolos de reciclaje</p>	<p>Este producto usa baterías de iones de litio (Li-ion). Es posible que las leyes municipales, provinciales o nacionales prohíban desechar las baterías con los residuos comunes. Consulte a la autoridad local en materia de residuos sobre las opciones de eliminación y reciclaje disponibles.</p>
<p>IPX4</p>	<p>Nivel de Protección del Ingreso</p>	<p>Protección contra salpicaduras de agua</p>
<p>V</p>	<p>Voltio</p>	<p>Voltaje</p>
<p>A</p>	<p>Amperios</p>	<p>Corriente</p>
<p>Hz</p>	<p>Hercios</p>	<p>Frecuencia (ciclos por segundo)</p>
<p>W</p>	<p>Vatio</p>	<p>Electricidad</p>
<p>min</p>	<p>Minutos</p>	<p>Tiempo</p>
	<p>Corriente alterna</p>	<p>Tipo de corriente</p>
	<p>Corriente continua</p>	<p>Tipo o característica de la corriente</p>
<p>n_0</p>	<p>Velocidad sin carga</p>	<p>Velocidad de rotación, sin carga</p>
<p>... /min</p>	<p>Por minuto</p>	<p>Revoluciones por minuto</p>

⚠ PELIGRO: Las personas que poseen dispositivos electrónicos, como marcapasos, deben consultar al médico antes de usar este producto. La utilización de equipos eléctricos cerca de un marcapasos puede producir interferencias o fallas en el marcapasos.

ADVERTENCIAS GENERALES DE SEGURIDAD PARA LAS HERRAMIENTAS ELÉCTRICAS

⚠ ADVERTENCIA: Lea todas las advertencias e instrucciones de seguridad. No seguir las advertencias y las instrucciones podría provocar descargas eléctricas, incendios o lesiones graves.

Conserve todas las advertencias e instrucciones para usarlas como referencia en el futuro.

La denominación “herramienta eléctrica” que se menciona en las advertencias hace referencia a la herramienta eléctrica conectada a la red de suministro eléctrico (con cable) o a la herramienta eléctrica a batería (inalámbrica).

SEGURIDAD EN EL ÁREA DE TRABAJO

- **Mantenga el área de trabajo limpia y bien iluminada.** Las áreas desordenadas y oscuras propician los accidentes.
- **No utilice herramientas eléctricas en ambientes en los que se puedan producir explosiones, como en los que se encuentran líquidos, gases o polvos inflamables.** Las herramientas eléctricas generan chispas que pueden encender el polvo o los gases.
- **Los niños y otras personas deben mantenerse alejados mientras se usa una herramienta eléctrica.** Las distracciones pueden hacerlo perder el control de la herramienta.

SEGURIDAD ELÉCTRICA

- **Los enchufes de las herramientas eléctricas deben coincidir con el tomacorriente. Nunca modifique el enchufe de ningún modo. No use enchufes adaptadores con las herramientas eléctricas que tienen conexión a tierra (descarga a tierra).** El riesgo de electrocución disminuye si se utilizan los enchufes sin modificar y los tomacorrientes que correspondan.
- **Evite el contacto corporal con las superficies con descarga a tierra, como tuberías, radiadores, estufas y refrigeradores.** El riesgo de sufrir una electrocución es mayor si su cuerpo hace descarga a tierra.
- **No exponga las herramientas eléctricas a la lluvia ni la humedad.** Si ingresa agua a una herramienta eléctrica, aumenta el riesgo de electrocución.

- **No jale del cable. Nunca use el cable para transportar o desenchufar la herramienta eléctrica, ni para tirar de él. Mantenga el cable alejado del calor, el aceite, los bordes filosos o las piezas móviles.** Si el cable está dañado o enredado, aumenta el riesgo de electrocución.
- **Al utilizar una herramienta eléctrica en exteriores, use una extensión eléctrica para uso en exteriores.** El uso de una extensión para uso en exteriores reduce el riesgo de electrocución.
- **Si no se puede evitar tener que usar la herramienta eléctrica en un lugar húmedo, conéctela con un interruptor de circuito de falla de puesta a tierra (GFCI).** El uso de un GFCI reduce el riesgo de electrocución.

SEGURIDAD PERSONAL

- **Manténgase atento, mire lo que está haciendo y aplique el sentido común cuando utilice una herramienta eléctrica. No use una herramienta eléctrica si está cansado o bajo los efectos de drogas, alcohol o medicamentos.** En apenas un momento de distracción al utilizar herramientas eléctricas, el usuario puede sufrir lesiones graves.
- **Use equipo de protección personal. Siempre use lentes de protección.** El uso de equipos de protección, como las mascarillas antipolvo, el calzado de seguridad antideslizante, cascos o protección auditiva, cuando las condiciones de trabajo lo exijan, reduce el riesgo de sufrir lesiones.
- **Prevenga los arranques involuntarios. Asegúrese de que el interruptor se encuentre en la posición de apagado antes de conectar la herramienta a la fuente de alimentación o el paquete de batería, y antes de levantarla o transportarla.** Si transporta las herramientas eléctricas con el dedo en el interruptor o las enchufa con el interruptor en la posición de encendido, pueden producirse accidentes.
- **Retire toda llave de tuercas o herramienta de ajuste antes de encender la herramienta eléctrica.** Si se deja una llave de tuercas colocada en una pieza móvil de la herramienta eléctrica, se pueden producir lesiones graves.
- **No trate de llegar más allá de donde alcance.** Manténgase bien parado y en una posición equilibrada. Esto permite tener un mejor control de la herramienta eléctrica en situaciones inesperadas.
- **Utilice la ropa indicada. No use ropa suelta ni joyas. Mantenga su cabello, ropa y guantes alejados de las piezas móviles.** La ropa suelta, las joyas o el cabello largo pueden quedar atrapados en las piezas móviles.

- **Si se proporcionan dispositivos para la conexión de aparatos de extracción y recolección de polvo, asegúrese de que estén conectados y de que se usen correctamente.** El uso de dispositivos antipolvo puede reducir los peligros relativos al polvo.

USO Y CUIDADO DE LA HERRAMIENTA ELÉCTRICA

- **No fuerce la herramienta eléctrica. Use la herramienta eléctrica correcta para su aplicación.** La herramienta eléctrica correcta hará mejor el trabajo y será más segura a la velocidad para la que fue diseñada.
- **No use la herramienta eléctrica si el interruptor no la enciende o no la apaga.** Si una herramienta eléctrica no puede controlarse mediante el interruptor, resulta peligrosa y debe repararse.
- **Desconecte el enchufe de la fuente de alimentación o el paquete de batería de la herramienta eléctrica antes de hacer ajustes, cambiar accesorios o guardarla.** Estas medidas preventivas de seguridad reducen el riesgo de que la herramienta eléctrica arranque imprevistamente.
- **Guarde las herramientas eléctricas que no se usan fuera del alcance de los niños y no permita que las utilicen personas que no estén familiarizadas con ellas o con estas instrucciones.** Las herramientas eléctricas son peligrosas en manos de usuarios no preparados.
- **Realice el mantenimiento de las herramientas eléctricas. Revíselas para controlar que no estén desalineadas y que las piezas móviles no estén atascadas, que las piezas no estén rotas y que no se presenten otras posibles causas de mal funcionamiento de la herramienta eléctrica. Si está dañada, haga reparar la herramienta eléctrica.** Muchos accidentes son consecuencia de la falta de mantenimiento de las herramientas eléctricas.
- **Mantenga las herramientas de corte afiladas y limpias.** Las herramientas de corte que se mantienen a punto, con los bordes afilados, son menos propensas a atascarse y más fáciles de controlar.
- **Use la herramienta eléctrica, los accesorios y las brocas, etc. de acuerdo con estas instrucciones, teniendo en cuenta las condiciones de trabajo y el trabajo que se desea realizar.** El uso de la herramienta eléctrica en operaciones que no son las previstas puede producir una situación de peligro.

USO Y CUIDADO DE LA HERRAMIENTA A BATERÍA

- **Recárguela solo con el cargador que especifica el fabricante.** Si un cargador que es apto para un tipo de paquete de batería se utiliza con otro paquete de batería, existe el riesgo de que se produzca un incendio.
- **Use las herramientas eléctricas solo con paquetes de batería designados específicamente.** El uso de cualquier otro paquete de batería puede generar el riesgo de que se produzcan lesiones o incendios.
- **Cuando no se use el paquete de batería, manténgalo alejado de otros objetos de metal, como clips para papel, monedas, llaves, clavos, tornillos u otros objetos pequeños de metal que pueden hacer una conexión entre los terminales.** La conexión de los terminales entre sí de la batería puede producir quemaduras o incendios.
- **En condiciones de uso indebido, puede salir líquido de la batería. Evite el contacto con este líquido. Si se produce el contacto de forma accidental, enjuáguese con agua. Si el líquido entra en contacto con los ojos, consulte a un médico.** El líquido que despiden las baterías puede causar irritación o quemaduras.

SERVICIO

- **Haga revisar la herramienta eléctrica por una persona calificada y use solo piezas de repuesto idénticas.** Esto garantiza que se mantenga la seguridad de la herramienta eléctrica.

ADVERTENCIA DE SEGURIDAD DE LA MOTOSIERRA

- **Mantenga todas las partes del cuerpo alejadas de la cadena de la motosierra cuando la esté utilizando. Antes de hacer arrancar la motosierra, asegúrese de que no esté en contacto con ningún objeto.** En apenas un momento de distracción al utilizar una motosierra se puede atorar la ropa o el cuerpo con la cadena.
- **Siempre sostenga la motosierra con la mano derecha sobre la empuñadura posterior y la mano izquierda sobre la empuñadura frontal.** Si sostiene la motosierra al revés, es mayor el riesgo de sufrir lesiones. Nunca lo haga.
- **Sostenga la herramienta eléctrica solo de las superficies de agarre aisladas, porque la cadena de la motosierra puede entrar en contacto con el cableado que está oculto.** Si la cadena de la motosierra entra en contacto con un cable energizado, pueden energizarse las piezas metálicas expuestas de la herramienta eléctrica y puede electrocutarse el usuario.

- **Use gafas de seguridad y protección auditiva. Se recomienda también el uso de equipos de protección para la cabeza, las manos, las piernas y los pies.** El uso de la ropa protectora correspondiente reduce el riesgo de sufrir lesiones causadas por el material despedido o por el contacto accidental con la cadena de la motosierra.
- **No utilice la motosierra arriba de un árbol.** Si utiliza la motosierra arriba de un árbol, puede sufrir lesiones graves.
- **Siempre manténgase bien parado y utilice la motosierra solo si usted se encuentra sobre una superficie estable, segura y nivelada.** Las superficies resbaladizas o inestables como las escaleras pueden provocar la pérdida de equilibrio o del control de la motosierra.
- **Al cortar ramas sometidas a tensión, esté atento al efecto látigo.** Cuando se libera la tensión de las fibras de la madera, la rama tensa puede golpear al usuario o hacer descontrolar la motosierra.
- **Sea extremadamente precavido al cortar maleza y árboles jóvenes.** Las ramas delgadas pueden quedar atrapadas con la cadena de la motosierra y golpear al usuario o hacerlo perder el equilibrio.
- **Transporte la motosierra apagada y tomándola de la empuñadura frontal, lejos del cuerpo. Al transportar o guardar la motosierra, siempre coloque la cubierta de la espada.** La manipulación correcta de la motosierra reduce la probabilidad de que se haga contacto de forma accidental con la cadena de la motosierra en movimiento.
- **Siga las instrucciones para la lubricación, la tensión de la cadena y el cambio de accesorios.** Si la cadena no tiene la tensión o la lubricación correctas, aumenta el riesgo de que se produzca el efecto rebote o una avería en la herramienta.
- **Mantenga las empuñaduras limpias, secas y libres de aceite y grasa.** Si las empuñaduras tienen grasa o aceite, estarán resbaladizas y harán perder el control de la máquina.
- **Corte solo madera. No use la motosierra para propósitos que no sean los previstos. Por ejemplo: no use la motosierra para cortar plástico, o materiales de construcción o que no sean de madera.** El uso de la motosierra en operaciones que no son las previstas puede producir una situación de peligro.

ADVERTENCIAS ADICIONALES

- **Las motosierras deben usarse con las dos manos.** Si se usan con una sola mano, el usuario, los ayudantes y las personas cercanas pueden sufrir lesiones graves.
- **Evite el contacto involuntario con la cadena de la motosierra estática o los rieles de la espada.** Estas piezas pueden ser muy filosas. Siempre use guantes y pantalones largos o chaparreras al manipular la motosierra, la cadena de la motosierra o la espada.
- **Nunca utilice una motosierra si está dañada o ajustada incorrectamente, o si no está completamente ensamblada y de forma segura.** Asegúrese de que la motosierra se detenga al soltar el gatillo interruptor.
- **Inspeccione la pieza de trabajo para verificar que no tenga clavos, cables ni ningún otro objeto extraño antes de cortarla.**
- **Al leñar, asegure la pieza de trabajo antes de cortarla. Al talar o podar árboles, identifique y asegure las ramas peligrosas.**
- **Si se usa la motosierra indebidamente o se abusa al cortar el material, se puede producir el desgaste prematuro de la espada, la cadena o el piñón, además de que puede averiarse la cadena o la espada y producirse el efecto rebote, despedirse la cadena o dispararse el material.**
- **Nunca use la espada como palanca.** Si la espada está curvada, se puede producir el desgaste prematuro de la espada, la cadena o el piñón, además de que puede averiarse la cadena o la espada y producirse el efecto rebote, despedirse la cadena o dispararse el material.
- **Corte solo una pieza de trabajo por vez.**
- **Úsela solo con los paquetes de baterías y cargadores que se mencionan a continuación:**

PAQUETE DE BATERÍA	CARGADOR
BA1120, BA1400, BA2240	CH2100
BA2800, BA4200	CH5500

- **No cargue el paquete de batería en la lluvia o en lugares húmedos.**
- **Planifique el trabajo, asegurándose de que el área de trabajo esté libre de obstáculos. Si se trata de la tala de árboles, debe haber al menos una vía de escape del árbol al caer.**

- Al talar árboles, las personas cercanas deben mantenerse a una distancia equivalente al triple de la longitud del árbol como mínimo.
- Si se presentan situaciones que no menciona este manual, aplique la precaución y el buen juicio. Póngase en contacto con el Departamento de Servicio al Cliente de EGO si necesita asistencia.

CAUSAS DEL EFECTO REBOTE Y PREVENCIÓN POR PARTE DEL USUARIO (Fig. 1, 2, 3 y 4)

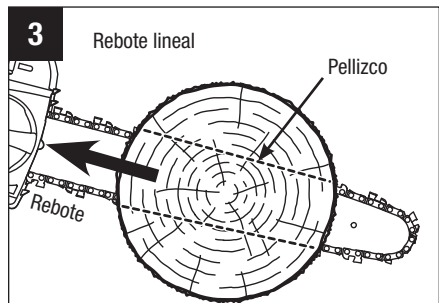
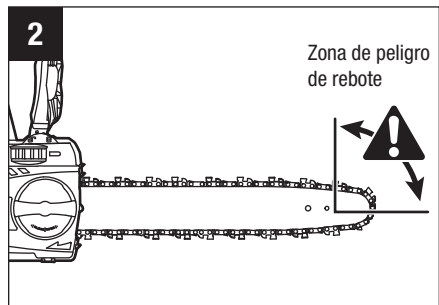
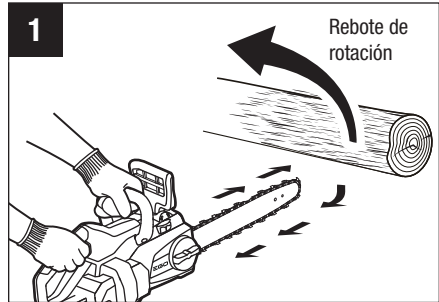
El efecto rebote puede producirse cuando la punta de la espada toca un objeto, o cuando la madera se cierra y pellizca la cadena de la motosierra en el corte.

El contacto de la punta, en algunos casos, puede producir una reacción repentina hacia atrás, es decir, la espada salta hacia arriba y hacia el usuario.

Cuando la cadena de la motosierra pellizca a lo largo de la parte superior de la espada, puede empujar la espada rápidamente hacia el usuario.

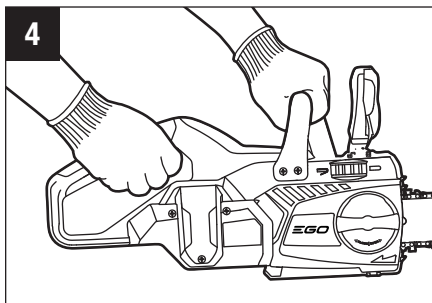
Cualquiera de estas reacciones puede hacerlo perder el control de la motosierra y sufrir lesiones graves. No confíe exclusivamente en los mecanismos de seguridad que posee la motosierra.

Como usuario de una motosierra, debe tomar varias medidas para que no se produzcan accidentes ni lesiones en sus trabajos de corte.



El efecto rebote se produce como resultado del uso indebido, o de la aplicación de procedimientos de operación incorrectos o de condiciones de trabajo inadecuadas, y puede evitarse si se toman las precauciones correspondientes que se mencionan a continuación:

- **Mantenga un agarre firme, rodeando con todos los dedos las empuñaduras de la motosierra, con ambas manos sobre ella, y posicione su cuerpo y su brazo de modo que le permita resistir las fuerzas de rebote (fig. 4).** El usuario



- El usuario puede controlar las fuerzas de rebote si toma las precauciones que corresponden. No suelte la motosierra.
- **No trate de llegar más allá de dónde alcanza y no corte por sobre la altura de su hombro.** Esto contribuye a evitar que la punta haga un contacto imprevisto y permite tener un mejor control de la motosierra en situaciones inesperadas.
- **Use solo las espadas y cadenas de repuesto que especifica el fabricante.** Si utiliza espadas y cadenas de repuesto que no son las indicadas, puede averiarse la cadena y producirse el efecto rebote.
- **Siga las instrucciones del fabricante para afilar y realizar el mantenimiento de la cadena de la motosierra.** Si disminuye la altura del calibre de profundidad, se puede producir un efecto rebote mayor.
- **Asegúrese de que el área en la que está cortando esté libre de obstáculos.** No deje que la punta de la espada haga contacto con troncos, ramas, cercos ni ningún otro obstáculo que pudiera golpear al utilizar la motosierra.
- **Siempre corte con la máquina a velocidad plena.** Presione el gatillo interruptor a fondo y mantenga la velocidad de corte.
- **Si tiene una comprensión básica del efecto rebote, puede reducir o eliminar el elemento sorpresa.** La sorpresa repentina contribuye a que se produzcan accidentes.
- **Manténgase bien parado y en una posición equilibrada.**

- Tiro y empuje:** la fuerza de reacción siempre es opuesta a la dirección en que se mueve la cadena donde hace contacto con la madera. Esto significa que el usuario debe estar preparado para controlar el movimiento de TIRO cuando está cortando con el borde inferior de la espada y el movimiento de EMPUJE cuando está cortando con el borde superior. Vea la figura 5.

MECANISMOS DE SEGURIDAD DE ESTA MOTOSIERRA CONTRA EL EFECTO REBOTE

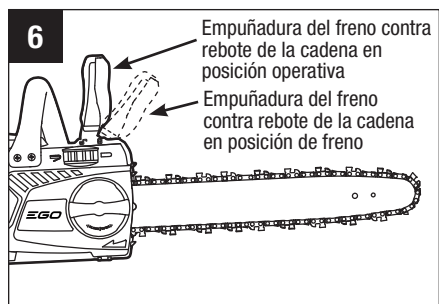
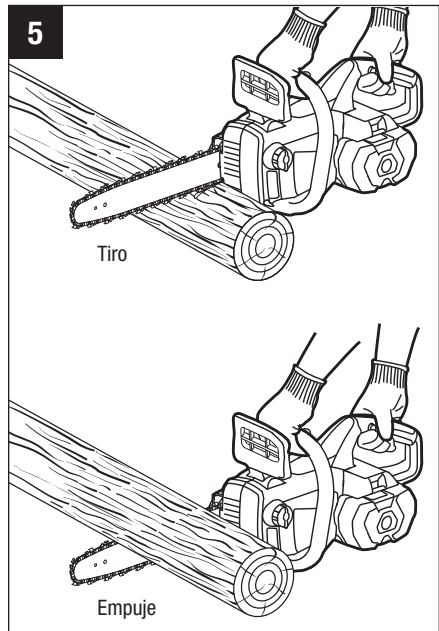
Cadena con freno

La motosierra viene equipada con un freno para la cadena, que detiene tanto el motor como el movimiento de la cadena cuando se produce el efecto rebote. El freno de la cadena puede activarse por el movimiento hacia delante de la empuñadura del freno contra rebote cuando la motosierra gira hacia atrás durante el efecto rebote; también puede activarse por las fuerzas inerciales que se generan con un movimiento rápido hacia atrás.

⚠ ADVERTENCIA: Nunca modifique ni intente inhabilitar el freno de la cadena.

Asegúrese de que el freno de la cadena funcione correctamente antes de utilizar la motosierra. La empuñadura del freno contra rebote de la cadena debe moverse hacia delante y hacia atrás con facilidad.

Para probar el funcionamiento del freno de la cadena, lleve a cabo los siguientes pasos (fig. 6):



- Coloque la motosierra sobre una superficie plana despejada y asegúrese de que no haya objetos ni obstáculos cerca que pudieran entrar en contacto con la espada y la cadena.
- Desactive el freno de la cadena jalando de la empuñadura del freno contra rebote hacia la empuñadura frontal.
- Haga arrancar la motosierra.
- Empuje la empuñadura del freno contra rebote de la cadena hacia la parte frontal de la motosierra. Si el freno de mano funciona correctamente, detendrá el movimiento de la cadena de inmediato. Si el freno de la cadena no funciona correctamente, no use la motosierra hasta que la haya reparado un técnico de servicio calificado.

⚠ ADVERTENCIA: Confirme que el freno de la cadena funcione correctamente antes de cada uso.

⚠ ADVERTENCIA: Si el freno de la cadena está atascado con astillas de madera, su función puede verse afectada. Mantenga el mecanismo siempre limpio.

Cadena de bajo rebote

La parte frontal de cada eslabón cortante (talones de profundidad) pueden minimizar la fuerza de la reacción de rebote evitando que los eslabones cortantes se introduzcan a demasiada profundidad en la zona de rebote. Use solo una cadena de repuesto que sea equivalente a la cadena original o que haya sido certificada como cadena de bajo rebote según la norma ANSI B175.1. Una cadena para motosierra con dientes de bajo rebote es una cadena que cumple con los requisitos de rendimiento en rebote de la norma ANSI B175.5 - 1991 (norma nacional estadounidense sobre herramientas eléctricas; requisitos de seguridad para motosierras a gasolina y eléctricas) al someterse a pruebas en la muestra representativa de motosierras por debajo de las 3,8 pulg. cúbicas de desplazamiento especificadas en ANSI B175.1-1991.

⚠ PRECAUCIÓN: A medida que se afilan las cadenas de motosierras durante su vida útil, pierden parte de las cualidades de bajo rebote, por lo que deben tomarse precauciones adicionales al utilizarlas.

ESPADA

Esta motosierra viene equipada con una espada cuya punta tiene un radio pequeño. Las puntas de radios pequeños generalmente presentan un potencial menor de rebote. Al reemplazar la espada, asegúrese de solicitar la espada especificada en este manual.

GUARDE ESTAS INSTRUCCIONES.

GLOSARIO

Aceitador automático: sistema que lubrica automáticamente la espada y la cadena de la motosierra.

Leñar: acción de cortar transversalmente un árbol talado o un tronco en segmentos menores.

Púas para leñar: diente o dientes con punta que se usan al talar un árbol o leñar para hacer pivotar la motosierra y mantener la posición al cortar.

Freno para la cadena: mecanismo que se usa para detener de inmediato la cadena de la motosierra.

Cabezal motor de la motosierra: motosierra sin la cadena ni la espada.

Piñón de transmisión: pieza dentada que impulsa la cadena de la motosierra.

Talar: acción de cortar por el pie un árbol.

Corte posterior (al talar): corte final al talar un árbol que se hace del lado opuesto a la muesca inicial.

Rebote (efecto rebote): movimiento de la espada hacia atrás o hacia arriba, o en ambas direcciones, que se produce cuando la cadena de la motosierra cerca de la punta del área superior de la espada entra en contacto con algún objeto, como un tronco o una rama, o cuando la madera se cierra y pellizca la cadena en el corte.

Cadena de bajo rebote: cadena que cumple con los requisitos de rendimiento en rebote de la norma ANSI B175.1 al someterse a pruebas en una muestra representativa de motosierras.

Posición normal de corte: se asume que el usuario adoptará esta posición al realizar cortes para talar o leñar.

Muesca inicial: corte con forma de muesca que dirige la caída del árbol.

Espada de efecto rebote reducido: espada que ha demostrado reducir el efecto rebote considerablemente.

INTRODUCCIÓN

Felicitaciones por elegir una motosierra eléctrica de iones de litio de 56 V de última generación. Está pensada, diseñada y fabricada para brindarle el mejor rendimiento y confiabilidad posibles.

En caso de que tuviera algún problema que no pudiera resolver fácilmente, póngase en contacto con el Centro de Servicio al Cliente de EGO al 1-855-EGO-5656.

Este manual contiene información importante para el ensamblaje, la operación y el mantenimiento seguro de su motosierra. Léalo atentamente antes de usar la motosierra.

Mantenga este manual a mano para poder consultarlo en cualquier momento.

NÚMERO DE SERIE _____ FECHA DE COMPRA _____

DEBE ANOTAR EL NÚMERO DE SERIE Y LA FECHA DE COMPRA, Y CONSERVARLOS EN UN LUGAR SEGURO PARA CONSULTARLOS EN EL FUTURO.

ESPECIFICACIONES

Voltaje	56 V CC
Longitud de la espada	14" (350mm)
Paso de la cadena	3/8" (9.5mm)
Calibre de la cadena	0.043" (1.1mm)
Tipo de cadena	90PX052X (Oregon)
Tipo de espada	144MLEA041 (Oregon)
Capacidad del depósito de aceite de la cadena	5 oz. (150 ml)
Peso (sin paquete de batería y funda de la cadena)	8.29 lb. (3.76Kg)

Espada y cadena recomendadas para esta motosierra

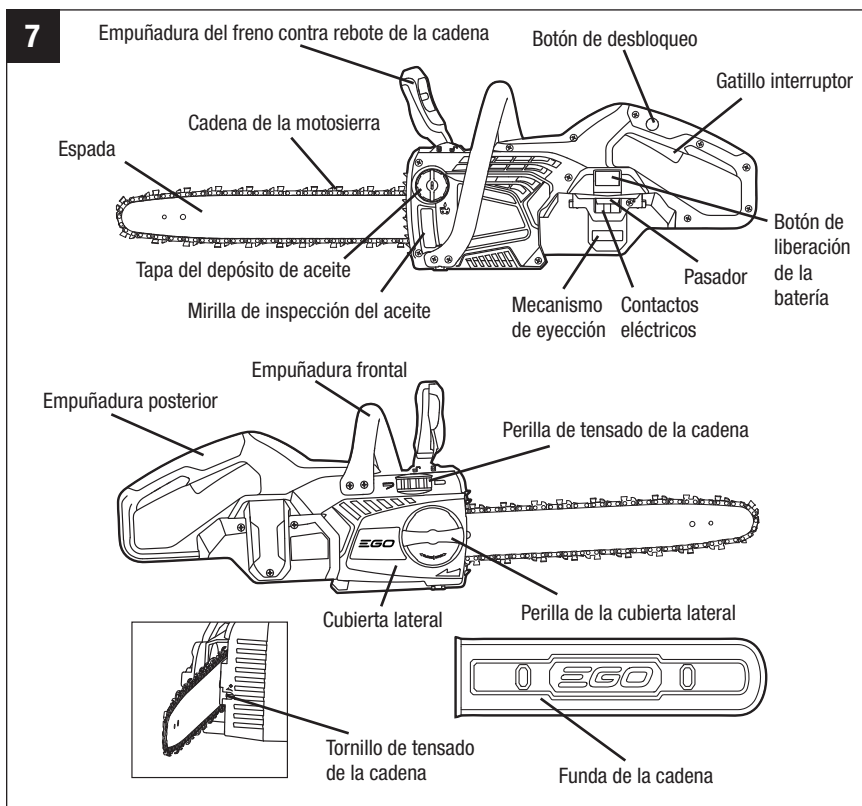
NOMBRE DE LA PIEZA	TIPO	NÚMERO DE PIEZA
Espada	14" 144MLEA041 (Oregon)	3705657000
Cadena de la motosierra	90PX052X (Oregon)	3810637000

LISTA DE EMPAQUE

NOMBRE DE LA PIEZA	CANTIDAD
Motosierra	1
Funda de la cadena	1
Manual del usuario	1

DESCRIPCIÓN

CONOZCA SU MOTOSIERRA (Fig. 7)



El uso seguro de este producto requiere que se comprenda la información que figura en la herramienta y en este manual del usuario, además del conocimiento del proyecto que desea llevar a cabo. Antes de usar este producto, familiarícese con todas las características operativas y reglas de seguridad.

Empuñadura del freno contra rebote de la cadena

Sirve como palanca para activar el freno de la cadena. También protege contra las ramas que se proyectan y contribuye a evitar que la mano izquierda toque la cadena de la motosierra si se sale de la empuñadura frontal.

Gatillo interruptor

Enciende y apaga la motosierra.

Botón de desbloqueo

Contribuye a evitar la activación accidental o no autorizada del gatillo interruptor. Debe liberarse antes de activar el gatillo interruptor.

Tapa del depósito de aceite

Cierra el depósito de aceite.

Mirilla de inspección del aceite

Permite ver el nivel de aceite.

Espada

Sostiene y guía la cadena.

Funda de la cadena

La funda de la cadena evita que el usuario entre en contacto con los filos cortantes de la cadena cuando la herramienta no se está utilizando. También evita que los filos de la cadena se mellen o dañen cuando se transporta la herramienta o cuando está guardada.

Cadena de la motosierra

Cadena circular con dientes filosos que cortan la madera al circular alrededor de la espada impulsada por el cabezal motor.

Empuñadura frontal

Empuñadura de apoyo para la mano izquierda en la parte frontal de la motosierra.

Empuñadura posterior

Empuñadura de apoyo para la mano derecha, que se encuentra en la parte posterior de la motosierra.

Perilla de tensado de la cadena

Para ajustar con precisión la tensión de la cadena.

Tornillo de tensado de la cadena

Permite ajustar la tensión de la cadena con precisión de forma manual con un destornillador plano.

Cubierta lateral

Cubre el piñón de la cadena y asegura la espada.

Perilla de la cubierta lateral

Bloquea y desbloquea la cubierta lateral.

Botón de liberación de la batería

Presione para liberar el paquete de batería de la herramienta.

Pasador

Asegura el paquete de batería en su lugar cuando está instalado en la herramienta.

Mecanismo de eyección

Ayuda para retirar la batería.

Muesca de montaje

Guía el paquete de batería.

ENSAMBLAJE

⚠ ADVERTENCIA: Si faltan piezas o hay piezas dañadas, no opere este producto hasta reemplazar dichas piezas. El uso de este producto con piezas dañadas o faltantes podría provocar lesiones graves.

⚠ ADVERTENCIA: No intente modificar este producto ni crear accesorios que no estén recomendados para usar con esta motosierra. Cualquier alteración o modificación de ese tipo representa un uso indebido y puede generar condiciones peligrosas que causen posibles lesiones graves.

⚠ ADVERTENCIA: Para evitar el arranque accidental, que podría provocar lesiones graves, retire siempre el paquete de batería de la herramienta antes de ensamblar las piezas.

DESEMBALAJE

Embarcamos este producto completamente armado.

- Saque cuidadosamente el producto y los accesorios de la caja. Controle que estén incluidos todos los elementos que figuran en la lista de empaque.
- Inspeccione la herramienta atentamente para asegurarse de que no se hayan producido roturas ni daños durante el envío.
- No descarte el material de embalaje hasta que haya inspeccionado atentamente y haya hecho funcionar satisfactoriamente la herramienta.
- Si alguna pieza está dañada o falta, póngase en contacto con el Departamento de Servicio al Cliente de EGO para obtener asistencia.

OPERACIÓN

⚠ ADVERTENCIA: No permita que estar familiarizado este producto lo vuelva imprudente. Recuerde que un descuido de una fracción de segundo es suficiente para ocasionar lesiones graves.

⚠ ADVERTENCIA: Siempre use lentes de protección con protección lateral que cumpla con la norma ANSI Z87.1, junto con protección auditiva. De lo contrario, podría provocar que se disparen objetos hacia sus ojos y otras posibles lesiones graves.

⚠ ADVERTENCIA: No use ningún aditamento ni accesorio no recomendado por el fabricante de este producto, ya que esto podría provocar lesiones graves.

Antes de cada uso, inspeccione todo el producto en busca de piezas dañadas, faltantes o sueltas, como tornillos, tuercas, pernos, tapas, etc. Apriete bien todos los sujetadores y tapas, y no opere este producto hasta que se hayan reemplazado todas las piezas faltantes o dañadas.

APLICACIÓN

Puede usar este producto para talar, leñar, podar y cortar madera, tanto para construcción como directamente de los árboles.

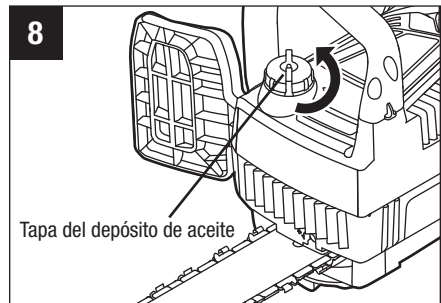
LLENADO DEL LUBRICANTE DE LA ESPADA Y LA CADENA

⚠ ADVERTENCIA: Para evitar el arranque accidental, que podría provocar lesiones graves, retire siempre el paquete de batería de la herramienta antes de llenar el depósito con aceite.

⚠ ADVERTENCIA: No fume ni acerque fuego ni llamas al aceite ni a la motosierra. El aceite podría derramarse y causar un incendio.

AVISO: La motosierra no está llena con aceite al momento de la compra. Es esencial llenar el depósito con aceite antes de usarla. Si hace funcionar la motosierra sin el aceite para la cadena o con un nivel de aceite por debajo de la marca mínima, se puede dañar la motosierra. La vida útil de la cadena y la capacidad de corte dependen de que la lubricación sea óptima. La cadena se lubrica automáticamente con aceite durante el funcionamiento.

1. Retire el paquete de batería de la motosierra.
2. Limpie la tapa del depósito de aceite y el área circundante para asegurarse de que no caiga suciedad en el depósito de aceite.
3. Apoye la motosierra de lado sobre una superficie firme y plana, de modo que la tapa del depósito quede hacia arriba. Haga girar la tapa del depósito de aceite en dirección contraria a las manecillas del reloj para retirarla (fig. 8).



4. Vierta cuidadosamente el aceite para la espada y la cadena en el depósito. El filtro que posee la abertura permite que el aceite caiga lentamente en el depósito; tenga precaución para que al aceite no se derrame por la abertura. Vierta aceite hasta la parte inferior del cuello del depósito. Limpie el excedente de aceite.
5. Vuelva a instalar la tapa, coloque la motosierra en posición vertical y controle el nivel a través de la mirilla de inspección. El aceite debe ocupar toda la mirilla.

AVISO:

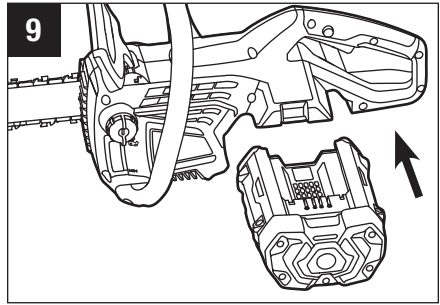
- Use aceite para espada y cadena OREGON® a fin de obtener los mejores resultados. Está especialmente diseñado para generar poca fricción y permitir realizar cortes más rápidos.
- Nunca use aceite ni otros lubricantes que no estén diseñados específicamente para usarse sobre la espada y la cadena. Esto puede obstruir el sistema de aceite y causar el desgaste prematuro de la espada y la cadena.
- Controle el nivel de aceite con frecuencia y complételo cuando caiga por debajo de la línea del nivel mínimo. Nunca haga funcionar la motosierra si el aceite no está visible.
- No use aceites sucios, usados o contaminados. Se pueden dañar la espada y la cadena.
- La abertura del depósito de aceite posee un filtro para la suciedad y los residuos. **NO RETIRE** el filtro al llenar el depósito de aceite.
- Es normal que el aceite se filtre de la motosierra cuando no se la usa. Para evitar filtraciones, vacíe el depósito de aceite después de cada uso y haga funcionar la máquina durante un minuto. Cuando guarde la herramienta durante un período prolongado, asegúrese de que la cadena esté levemente lubricada; esto evitará que se oxiden la cadena y el piñón de la espada.
- Para preservar los recursos naturales, recicle o deseche el aceite como corresponde. Consulte a la autoridad local en materia de residuos para obtener información acerca de las opciones de reciclado o de desecho disponibles.

PARA INSTALAR/RETIRAR EL PAQUETE DE BATERÍA (Fig. 9 y 10)

AVISO: Cargue completamente el paquete de batería antes de usarlo por primera vez.

Para instalarlo (Fig. 9):

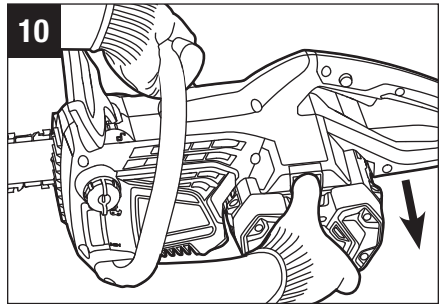
1. Alinee las aletas del paquete de batería con las muescas de montaje que se encuentran en el puerto de la batería de la motosierra.
2. Deslice el paquete de batería dentro de la herramienta hasta que calce a presión en su posición.



AVISO: Asegúrese de que el pasador de la motosierra encaje en su lugar y que el paquete de batería esté bien colocado en la herramienta antes de comenzar a trabajar.

Para retirarlo (Fig. 10):

⚠ ADVERTENCIA: Siempre tenga cuidado con la ubicación de sus pies, los niños o las mascotas cuando presione el botón de liberación de la batería. Se podrían provocar lesiones graves si se cae el paquete de batería. **NUNCA** retire el paquete de batería cuando esté en un lugar alto.



1. Sostenga el paquete de batería en la palma de su mano.
2. Presione el botón de liberación de la batería con el pulgar, y el paquete de batería se separará del pasador.
3. Tome el paquete de batería y retírelo de la motosierra.

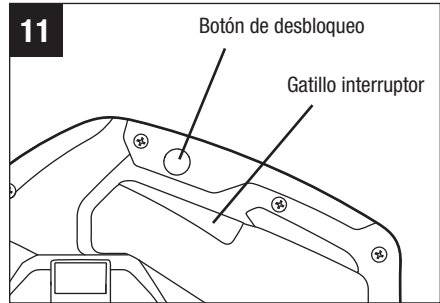
ENCENDIDO Y APAGADO DE LA MOTOSIERRA

Antes de hacer arrancar la motosierra:

1. Asegúrese de que la cadena esté colocada y tensada correctamente.
2. Levante la punta de la espada para verificar que la cadena no cuelgue. La tensión de la cadena es la correcta cuando la cadena no cuelga del lado inferior de la espada y se mantiene ceñida, pero puede hacerse girar a mano sin que se atasque. Si la tensión requiere regulación, revise la sección: "REEMPLAZO DE LA ESPADA Y LA CADENA" en la sección "Mantenimiento" de este manual para ver las instrucciones de regulación.
3. Verifique la tensión de la perilla de la cubierta lateral antes de usarla. Si está suelta, apriete la perilla de la cubierta lateral girando en dirección de las manecillas del reloj.
4. Controle el nivel de aceite y llene el depósito si es necesario.
5. Verifique el filo de los eslabones cortantes de la cadena.
6. Asegúrese de que la cadena esté bien lubricada.
7. Asegúrese de que la empuñadura del freno contra rebote de la cadena se mueva con facilidad hasta la posición de freno; luego, jale de ella hacia atrás hacia la empuñadura frontal hasta la posición operativa.
8. Párese derecho y sostenga la motosierra en una posición relajada.
9. Asegúrese de que la cadena no toque el piso ni otros objetos.
10. Sostenga la motosierra con ambas manos: con la mano derecha sobre la empuñadura posterior y la mano izquierda sobre la empuñadura frontal.
11. Asegúrese de estar bien parado, con los pies firmes y en equilibrio. Mire a su alrededor para ver que no haya tocones de árbol, raíces o zanjas que puedan hacerlo caer o tropezar.

Para hacer arrancar la motosierra (fig. 11)

1. Asegúrese de que no haya objetos ni obstáculos cerca que pudieran entrar en contacto con la espada y la cadena.
2. Jale de la empuñadura del freno contra rebote de la cadena hacia la empuñadura frontal hasta la posición operativa (fig. 6).
3. Tome las empuñaduras frontal y posterior con firmeza, usando las dos manos.
4. Mantenga presionado con el pulgar de la mano derecha el botón de desbloqueo, luego apriete el gatillo interruptor con los dedos de la mano derecha para hacer arrancar la motosierra. Suelte el botón de desbloqueo y continúe apretando el gatillo para que la máquina siga en funcionamiento.



⚠ ADVERTENCIA: No intente hacer arrancar la motosierra cuando la cadena se encuentre dentro de un corte.

Para detener la motosierra

1. Aleje la motosierra del área de corte y suelte el gatillo interruptor para detenerla.
2. Empuje la empuñadura del freno contra rebote de la cadena hacia delante hasta la posición operativa para activar el freno de la cadena (Fig. 6).

⚠ ADVERTENCIA: Retire siempre el paquete de batería de la motosierra durante los recesos del trabajo y después de terminarlo.

PREPARACIÓN PARA EL CORTE

Consulte la sección “Instrucciones importantes de seguridad” en páginas previas de este manual para saber cuáles son los equipos de seguridad indicados.

Precauciones en el área de trabajo

- Corte solo madera y materiales hechos de madera; no corte chapa, plástico ni materiales de mampostería o materiales de construcción que no sean de madera.
- Nunca permita a los niños que utilicen la motosierra.
- No permita que utilice la motosierra ninguna persona que no haya leído este Manual de operación o que no haya recibido las instrucciones correspondientes para el uso correcto y seguro de la motosierra.
- Al talar un árbol, todas las personas (ayudantes, personas cercanas, niños) y animales deben mantenerse a una distancia segura del área de trabajo. Durante la tala de árboles, la distancia segura es el doble de la altura de los árboles más altos del área de tala como mínimo. Al leñar, mantenga una distancia mínima de 15 pies (4,5 m) entre los trabajadores. La tala de árboles debe hacerse de manera que no ponga en peligro a ninguna persona, ni golpee ninguna línea de la red eléctrica o cause daños materiales. Si un árbol entra en contacto con una línea de la red eléctrica, se debe notificar a la empresa de energía de inmediato.
- Siempre corte con ambos pies sobre suelo firme para evitar perder el equilibrio.
- No corte por sobre la altura del pecho, dado que si sostiene la motosierra a una altura mayor, es difícil controlar las fuerzas de rebote.
- No tale árboles cerca de cables eléctricos o edificios.
- Utilice la motosierra para cortar solo cuando la visibilidad y la luz sean suficientes para ver claramente.

Tome las empuñaduras con firmeza

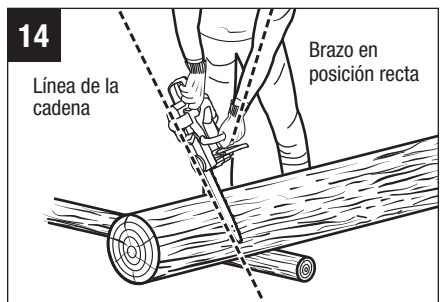
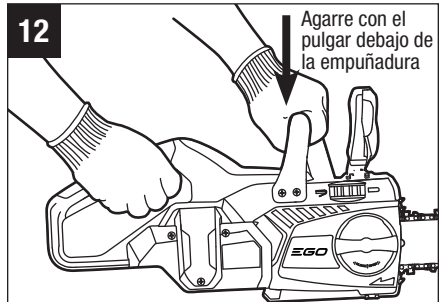
- Use guantes antideslizantes para lograr el máximo agarre y protección.
- Con la motosierra sobre una superficie firme y plana, sosténgala con firmeza usando las dos manos.
- Tome siempre la empuñadura frontal con la mano izquierda y la empuñadura posterior con la mano derecha.
- Los dedos deben rodear la empuñadura, con el pulgar por debajo de la empuñadura frontal (fig. 12).

⚠ ADVERTENCIA: Nunca use las manos de forma cruzada (invertida) ni de ningún modo que deje su cuerpo o brazo en la línea de la cadena.

⚠ ADVERTENCIA: No accione el gatillo interruptor con la mano izquierda. Sostenga la empuñadura frontal con la mano derecha. Nunca deje que ninguna parte de su cuerpo quede en la línea de la cadena al utilizar la motosierra (fig. 13).

Postura correcta de corte (Fig. 14)

- Los dos pies deben estar sobre suelo firme, con el peso repartido uniformemente entre ellos.
- El brazo izquierdo debe estar recto, con el codo trabado. Esto ayuda a resistir las fuerzas generadas por el rebote.
- El cuerpo siempre debe estar a la izquierda de la línea de la cadena.



CORTE

Corte básico

⚠ ADVERTENCIA: Siempre asegúrese de estar bien parado y sostenga la motosierra con firmeza, usando las dos manos cuando el motor esté en funcionamiento.

Practique cortar pequeños troncos usando la siguiente técnica para familiarizarse con la sensación de usar la motosierra antes de comenzar con un procedimiento mayor.

1. Adopte la postura correcta delante de la madera con la motosierra apagada.
2. Presione el botón de desbloqueo y apriete el gatillo para que la motosierra arranque. Deje que la cadena alcance la velocidad plena antes de comenzar a cortar.
3. Comience a cortar presionando levemente la espada contra la madera. Haga apenas una leve presión, dejando que la motosierra haga el trabajo.
4. Mantenga una velocidad constante durante todo el corte, liberando la presión justo antes del final del corte.
5. Suelte el gatillo en cuanto finalice el corte, y deje que la cadena se detenga.

⚠ ADVERTENCIA: Si la cadena de la motosierra se detiene porque ha pellizcado el material durante el corte, suelte el gatillo interruptor; retire la motosierra y la espada de la madera. Luego, haga arrancar nuevamente la herramienta.

⚠ ADVERTENCIA: No jale la cadena cuando está ligada con el aserrín. Se podrían provocar lesiones graves si la motosierra arranca inesperadamente. Presione la cadena contra la madera, mueva la motosierra hacia adelante y hacia atrás para descargar los residuos. Siempre retire el paquete de batería antes de limpiar. Use guantes de protección cuando manipule la motosierra.

⚠ ADVERTENCIA: Nunca haga arrancar la motosierra cuando está en contacto con la madera. Siempre deje que la motosierra alcance la velocidad plena antes de aplicar la sierra para la madera.

TALA DE ÁRBOLES

Condiciones peligrosas

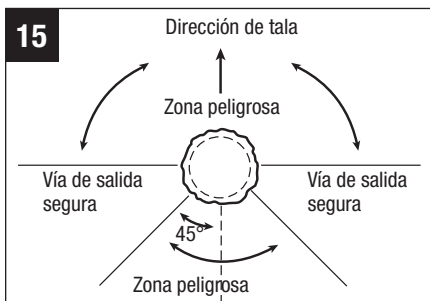
⚠ ADVERTENCIA: Al talar un árbol, es importante respetar las siguientes advertencias para evitar posibles lesiones graves.

- No tale árboles durante períodos de mucho viento o lluvias copiosas. Espere hasta que pase el clima peligroso.
- No tale árboles que estén inclinados en ángulos extremos ni árboles grandes con ramas podridas, corteza suelta o troncos huecos. En lugar de esto, haga empujar o arrastrar hacia abajo estos árboles con maquinaria pesada y córtelos.
- No tale árboles cerca de cables eléctricos o edificios.
- Verifique que el árbol no tenga ramas dañadas o muertas que podrían caerse y golpearlo al talarlo.
- Mire de cuando en cuando la copa del árbol durante el corte posterior para asegurarse de que vaya a caer en la dirección deseada.
- Si el árbol comienza a caer en una dirección no deseada o si la motosierra queda atrapada o colgada durante la caída, déjela y protéjase usted.

Preparación para la tala de árboles

- Cuando dos personas o más se encuentran trabajando a la vez, talando un árbol y leñando, los trabajos deben estar separados por una distancia del doble de la altura del árbol que se está talando como mínimo. La tala de árboles debe hacerse de manera que no ponga en peligro a ninguna persona, ni golpee ninguna línea de la red eléctrica o cause daños materiales. Si el árbol entra en contacto con una línea de la red eléctrica, se debe notificar a la empresa de energía de inmediato.
- El usuario de la motosierra debe pararse en un lado más elevado del terreno, dado que es probable que el árbol ruede o se deslice pendiente abajo después de talarse.

- Antes de comenzar un corte, planee una vía de escape (o varias, en caso de que la vía prevista esté obstruida). Despeje el área circundante inmediata al árbol y asegúrese de que no haya obstáculos en las vías previstas de salida. Despeje una vía de salida segura a aproximadamente 135° de la línea prevista de caída. La vía de salida debe extenderse hacia atrás y diagonalmente en la parte posterior de la línea prevista de caída. Vea la figura 15.
- Antes de comenzar a talar, tenga en cuenta la inclinación natural del árbol, la ubicación de las ramas más grandes y la dirección del viento para determinar en qué dirección caerá el árbol.
- Retire la suciedad, las piedras, la corteza suelta, los clavos, las grapas y los cables del árbol en el lugar donde se harán los cortes para talarlo.

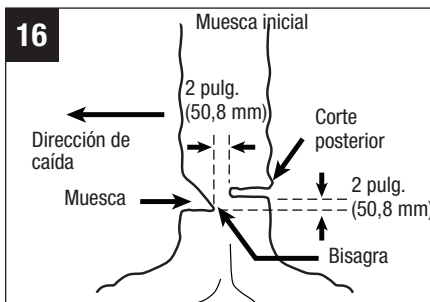


Muesca inicial

Haga la muesca de un tercio del diámetro del árbol, perpendicular a la dirección de la caída, como se muestra en la fig. 16. Haga primero el corte horizontal inferior de la muesca. Esto contribuye a evitar que la cadena o la espada de la motosierra pellizquen la madera cuando se haga el segundo corte.

Corte posterior (al talar)

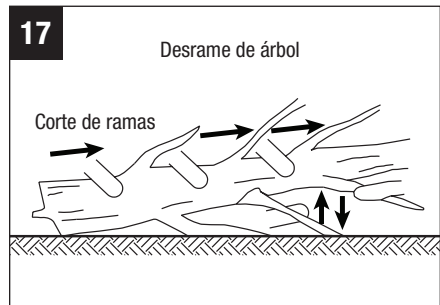
- Haga el corte posterior a 2 pulg. (50,8 mm) como mínimo más arriba que el corte horizontal de la muesca (fig. 16). Mantenga el corte posterior paralelo al corte horizontal de la muesca. Haga el corte posterior de modo que quede suficiente madera para que haga de bisagra. La madera de bisagra evita que el árbol se tuerza y caiga en una dirección no deseada. No atraviese la bisagra con el corte.



2. A medida que el corte se acerca a la bisagra, el árbol debería comenzar a caer. Si existe la posibilidad de que el árbol no caiga en la dirección deseada o se mueva hacia atrás y atrape la cadena de la motosierra, detenga el corte antes de terminarlo y use cuñas de madera, plástico o aluminio para abrir el corte y hacer caer el árbol en la línea deseada de caída.
3. Cuando el árbol comience a caer, retire la motosierra del corte, detenga el motor, apoye la motosierra en el suelo y aléjese por la vía de salida prevista. Esté atento a las ramas que caigan por sobre su cabeza y mire donde pisa.

DESRAMAR

Desramar consiste en cortar las ramas de un árbol caído. Al desramar, deje las ramas más grandes para que soporten el tronco a una distancia del suelo. Corte las ramas pequeñas con un corte como se muestra en la fig. 17. Las ramas bajo tensión deben cortarse desde la parte inferior hacia arriba para evitar que se atasque la motosierra.



⚠ ADVERTENCIA: Existe un peligro extremo de que se produzca el efecto rebote al desramar. Tenga extrema precaución y evite que el tronco u otras ramas hagan contacto con la punta de la espada.

LEÑADO DE UN TRONCO (fig. 18):

Leñar es cortar un tronco en segmentos. Es importante asegurarse de estar bien parado y de que el peso esté repartido uniformemente en los dos pies. Siempre que sea posible, el tronco debe elevarse y apoyarse mediante las ramas, troncos o calzos. Siga las simples instrucciones para facilitar el corte.

⚠ ADVERTENCIA: Mantenga el área de corte despejada. Asegúrese de que ningún objeto haga contacto con la punta de la espada y la cadena durante el corte; esto puede producir el efecto rebote.

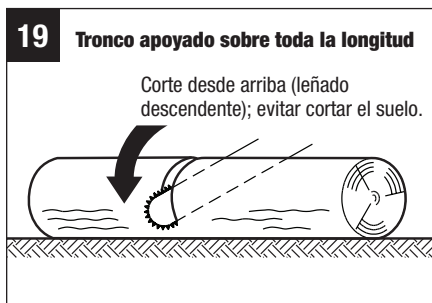
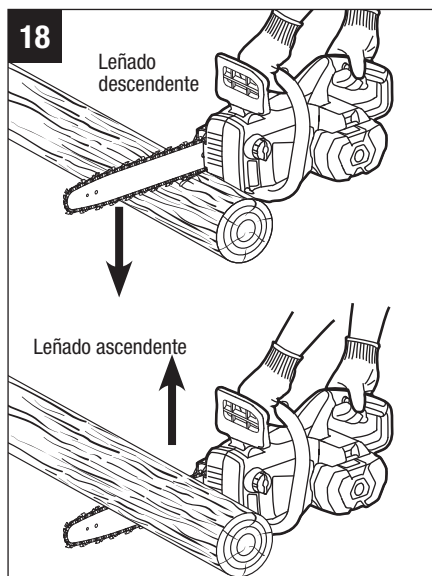
Leñado descendente

Comience sobre el lado superior del tronco con la parte inferior de la motosierra contra el tronco; ejerza una leve presión hacia abajo. Tenga en cuenta que la motosierra tenderá a alejarse de usted.

Leñado ascendente

Comience sobre el lado inferior del tronco con la parte superior de la motosierra contra el tronco; ejerza una leve presión hacia arriba. Durante el leñado ascendente, la motosierra tenderá a empujar hacia usted. Está preparado para esta reacción y sostenga la motosierra con firmeza para no perder el control.

- Cuando el tronco está apoyado en toda su longitud, debe cortarse desde la parte superior (leñado descendente) (fig. 19).



- Cuando el tronco esté apoyado solo sobre un extremo, corte un tercio del diámetro desde el lado inferior (leñado ascendente). Luego, haga el corte final de forma descendente para llegar al primer corte (fig. 20).
- Cuando el tronco esté apoyado sobre ambos extremos, corte un tercio del diámetro de forma descendente. Luego, haga el corte final pasando la motosierra de forma ascendente por los dos tercios inferiores hasta llegar al primer corte (Fig. 21).
- Al leñar sobre una pendiente, siempre párese sobre el lado más elevado del terreno respecto del tronco (Fig. 22).
- Para mantener un control completo al atravesar el tronco, libere la presión de corte cerca del final del corte sin relajar el agarre de las empuñaduras de la motosierra. No permita que la cadena toque el suelo. Después de terminar el corte, espere a que la motosierra se detenga por completo antes de moverla. Siempre detenga el motor antes de pasar de un árbol a otro.

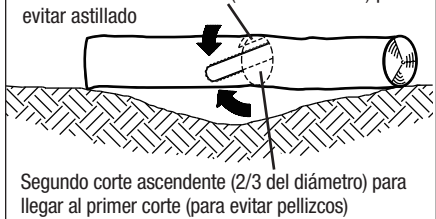
20 Tronco apoyado sobre un extremo

Segundo corte descendente (2/3 del diámetro) para llegar al primer corte (para evitar pellizcos)

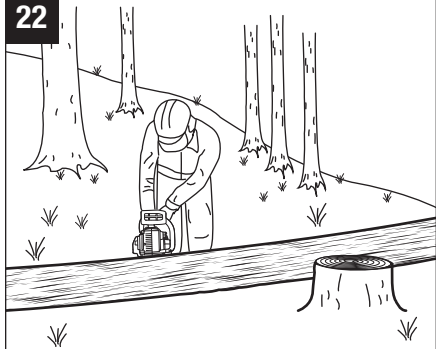


21 Tronco apoyado sobre ambos extremos

Primer corte descendente (1/3 del diámetro) para evitar astillado



22



MANTENIMIENTO

⚠ ADVERTENCIA: Cuando realice el mantenimiento, solo use piezas de repuesto idénticas. El uso de otras piezas puede generar un peligro o dañar el producto.

⚠ ADVERTENCIA: Use siempre gafas de seguridad o anteojos con protección lateral al utilizar este producto o soplar el aserrín. Si la operación libera polvo, use también una mascarilla antipolvo.

⚠ ADVERTENCIA: Para evitar lesiones graves, retire siempre el paquete de batería de la motosierra antes de inspeccionar, limpiar o realizar cualquier tipo de mantenimiento. Una herramienta a batería con el paquete de batería colocado siempre está encendida y puede arrancar por accidente.

⚠ ADVERTENCIA: Al limpiar la motosierra, NO la sumerja en agua ni en ningún otro líquido.

⚠ ADVERTENCIA: No permita en ningún momento que las piezas plásticas entren en contacto con líquidos de freno, gasolina, productos a base de petróleo, aceites penetrantes, etc. Los productos químicos pueden dañar, debilitar o destruir el plástico, lo que puede resultar en lesiones graves.

LIMPIEZA

- Después de cada uso, limpie los residuos de la cadena y la espada con un cepillo suave. Limpie la superficie de la motosierra con un paño limpio humedecido con una solución jabonosa suave.
- Retire la cubierta lateral y use un cepillo suave para retirar los residuos de la espada, la cadena, el piñón y la cubierta lateral.
- Siempre limpie las astillas, el aserrín y la suciedad de la ranura de la espada al reemplazar la cadena de la motosierra.

REEMPLAZO DE LA ESPADA Y LA CADENA

⚠ ADVERTENCIA: Antes de realizar cualquier procedimiento de mantenimiento, asegúrese de extraer el paquete de batería. Si no se respeta esta advertencia, se podrían producir lesiones graves.

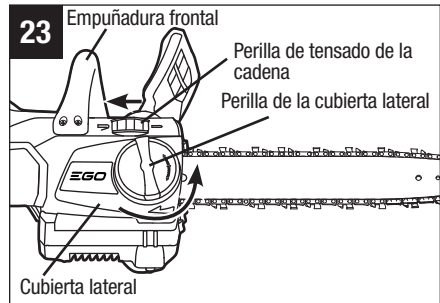
⚠ ADVERTENCIA: Siempre use guantes al manipular la espada y la cadena; estos componentes son filosos y pueden tener rebabas.

⚠ ADVERTENCIA: Nunca toque ni ajuste la cadena mientras el motor está en funcionamiento. La cadena es muy filosa; siempre use guantes protectores al realizar el mantenimiento de esta pieza.

AVISO: Al reemplazar la espada y la cadena, use siempre la combinación de espada y cadena especificada en la sección: “**Espada y cadena recomendadas para esta motosierra**”.

Desarmado de la espada y la cadena desgastadas

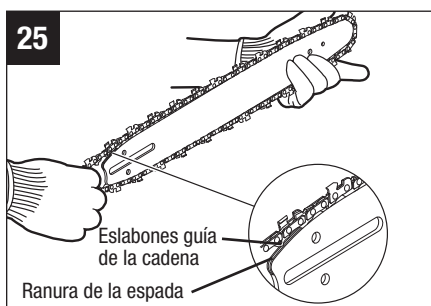
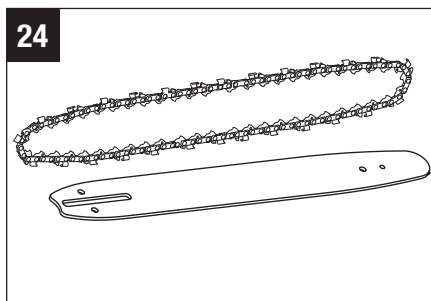
1. Retire la batería, deje que la motosierra se enfríe y apriete la tapa del depósito de aceite.
2. Apoye la motosierra de lado sobre una superficie firme y plana, de modo que la cubierta lateral quede hacia arriba (fig. 23).
3. Use guantes. Retire la cubierta lateral haciendo girar la perilla en dirección contraria a las manecillas del reloj (fig. 23). Limpie la cubierta lateral con un paño seco.
4. Desramar consiste en cortar las ramas de un árbol caído. Al desramar, deje las ramas más grandes para que soporten el tronco a una distancia del suelo. Corte las ramas pequeñas con un corte como se muestra en la fig. 23. Retire la barra y la cadena de la superficie de montaje. Retire la cadena usada de la barra.



AVISO: Es un buen momento para inspeccionar el piñón de transmisión en busca de desgaste excesivo o daños.

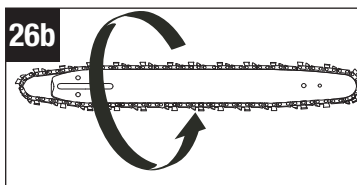
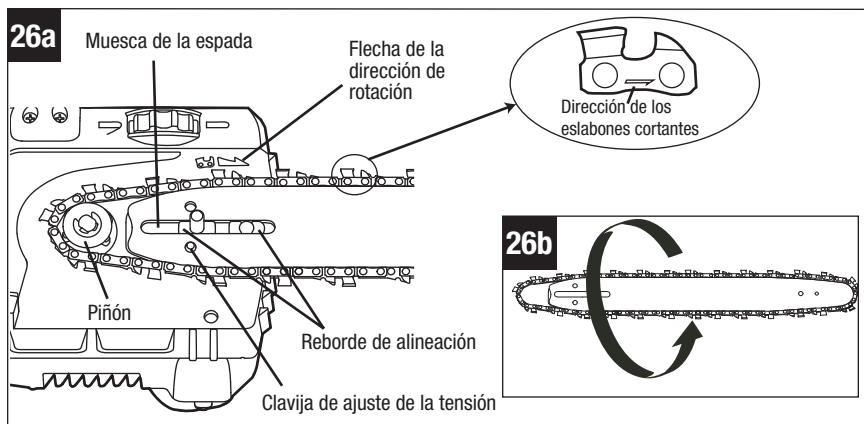
Ensamblaje de la espada y la cadena nuevas

1. Retire la batería, deje que la motosierra se enfríe y apriete la tapa del depósito de aceite.
2. Apoye la cadena nueva formando un lazo sobre una superficie plana y enderece las deformaciones que pueda tener (fig. 24).
3. Coloque los eslabones guía de la cadena dentro de la ranura de la espada. Posicione la cadena de modo que haya un lazo en la parte posterior de la espada (fig. 25).
4. Sostenga la cadena en posición sobre la espada y coloque el lazo alrededor del piñón del cabezal motor.



AVISO: La cadena tiene grabadas

pequeñas flechas direccionales (fig. 26a). El alojamiento tiene moldeada otra flecha direccional (fig. 26a). Al colocar la cadena de la motosierra formando un lazo sobre el piñón, asegúrese de que la dirección de las flechas sobre la cadena se corresponda con la dirección de la flecha del alojamiento. Si tienen direcciones opuestas, voltee la cadena y el ensamblaje de la espada (fig. 26b).

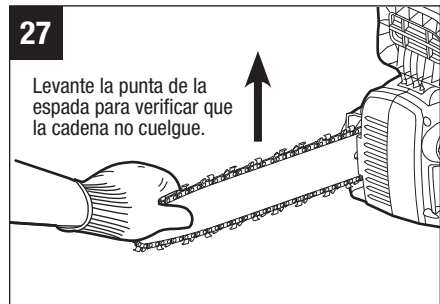


- Coloque la espada sobre la superficie de montaje deslizando la muesca de la espada sobre los rebordes de alineación, asegurándose de que la clavija de ajuste de tensión se inserte en el orificio inferior de la cola de la espada (fig. 26a).
- Vuelva a instalar la cubierta lateral y apriete levemente la perilla de la cubierta lateral en dirección de las manecillas del reloj. La espada debe quedar libre de movimiento para poder ajustar la tensión.

AVISO: Para prolongar la vida útil de la espada, inviértela ocasionalmente.

⚠ PRECAUCIÓN: La tensión de la cadena de la motosierra debe ajustarse correctamente antes de utilizarla.

- Elimine toda la holgura de la cadena haciendo girar la perilla de tensado de la cadena en dirección de las manecillas del reloj hasta que la cadena se asiente ceñidamente contra la espada, con los eslabones guía dentro de la ranura de la espada.
- Levante la punta de la espada para verificar que la cadena no cuelgue (fig. 27). Suelte la punta de la espada y haga girar la perilla de tensado de la cadena una vez más en dirección de las manecillas del reloj. Repita este proceso hasta que la cadena no cuelgue más.
- Sostenga levantada la punta de la espada y apriete con firmeza la perilla de la cubierta lateral. La tensión de la cadena es la correcta cuando la cadena no cuelga del lado inferior de la espada y se mantiene ceñida, pero puede hacerse girar a mano sin que se atasque.



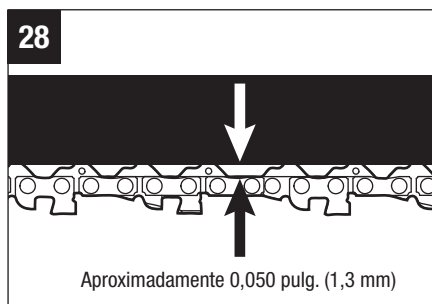
AVISO: Si la cadena está demasiado ajustada, no podrá girar. Afloje la perilla de la cubierta lateral levemente y haga girar la perilla de tensado una vez de derecha a izquierda. Levante la punta de la espada y vuelva a ajustar con firmeza la perilla de la cubierta lateral. Asegúrese de que la cadena gire sin atascarse.

AJUSTE DE TENSIÓN DE LA CADENA

1. Detenga el motor y retire paquete de batería antes de ajustar la tensión de la cadena.
 2. Afloje la perilla de la cubierta lateral.
 3. Haga girar la perilla de tensado de la cadena en dirección de las manecillas del reloj para tensar la cadena. Vea la sección: “REEMPLAZO DE LA ESPADA Y LA CADENA” en páginas previas de este manual para obtener más información.
- La tensión de la cadena en frío es la correcta cuando no hay holgura del lado inferior de la espada y la cadena se mantiene ceñida, pero puede hacerse girar sin que se atasque. La cadena debe tensarse nuevamente si las piezas planas de los eslabones guía no se asientan en la ranura de la espada.
 - Durante el funcionamiento normal de la motosierra, la temperatura de la cadena aumenta. Los eslabones guía de una cadena caliente con la tensión correcta cuelgan aproximadamente 0,050 pulg. (1,3 mm) por fuera de la ranura de la espada (fig. 28).

AVISO: Las cadenas nuevas tienden a estirarse; verifique la tensión de la cadena con frecuencia y ajústela cuando sea necesario.

AVISO: Si una cadena se tensó estando caliente, puede quedar demasiado ajustada al enfriarse. Verifique la tensión en frío antes del próximo uso.



MANTENIMIENTO DE LA CADENA

⚠ ADVERTENCIA: Retire el paquete de batería antes de realizar cualquier mantenimiento; si no lo hace se podrían producir lesiones graves.

⚠ ADVERTENCIA: Siempre use guantes al manipular la cadena; este componente es filoso y puede tener rebabas.

Use solo cadenas de bajo rebote para esta motosierra. Esta cadena de corte rápido brinda una reducción del rebote cuando se mantiene correctamente.

Una cadena bien afilada corta la madera sin esfuerzo, incluso con muy poca presión.

Nunca use una cadena dañada o sin filo. Una cadena con cortantes desafilados aumenta el esfuerzo físico que debe hacer el usuario, la carga de vibración, produce resultados insatisfactorios y aumenta el desgaste.

Para que el corte sea uniforme y rápido, la cadena debe mantenerse correctamente. La cadena debe afilarse cuando las astillas de madera son pequeñas y como polvo, la cadena debe forzarse para que atraviese la madera durante el corte o la cadena corta de un lado. Durante el mantenimiento de la cadena, tenga en cuenta lo siguiente:

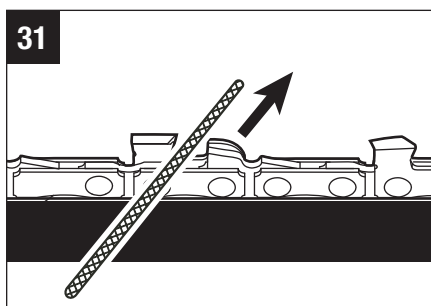
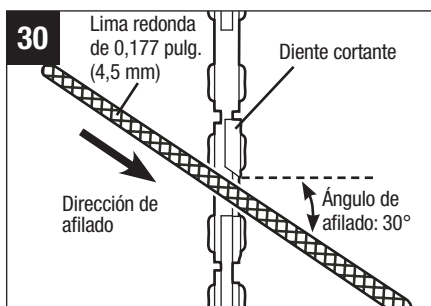
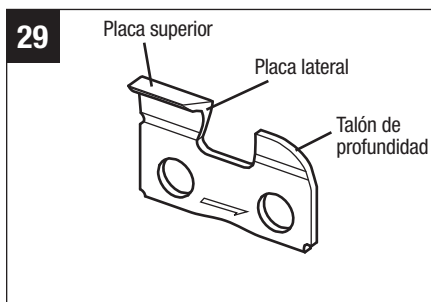
- Si el ángulo de afilado de la placa lateral es incorrecto, puede aumentar el riesgo de producirse un efecto rebote importante.
- Espacio libre de los eslabones cortantes (talones de profundidad). Si es demasiado bajo, aumenta el potencial de efecto rebote. Si no es lo suficientemente bajo, disminuye la capacidad de corte.
- Si los eslabones cortantes han golpeado objetos duros, como clavos o piedras, o han sido corroídos por lodo o arena en la madera, haga afilar la cadena por un técnico de servicio calificado.

AVISO: Inspeccione el piñón de transmisión en busca de desgaste o daños al reemplazar la cadena. Si hay indicios de desgaste o daños en las áreas indicadas, solicite a un técnico de servicio calificado que reemplace el piñón de transmisión.

Cómo afilar los eslabones cortantes

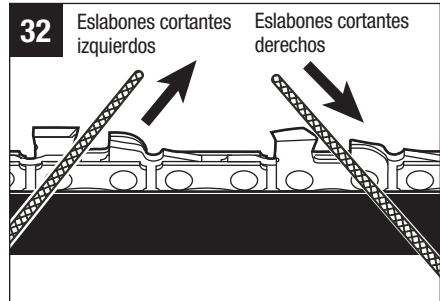
Tenga la precaución de afilar todos los eslabones cortantes (fig. 29) en los ángulos especificados y a la misma longitud, dado que los cortes rápidos solo pueden lograrse cuando todos los eslabones cortantes son uniformes.

1. Retire el paquete de batería. Use guantes para protegerse.
2. Ajuste la tensión de la cadena antes de afilarla. Consulte la sección: **“AJUSTE DE LA TENSIÓN DE LA CADENA”** en páginas previas de este manual.
3. Use una lima redonda de 0,177 pulg. (4,5 mm) de diámetro y un portalimas (se vende por separado). Realice todo el afilado en la posición media de la espada.
4. Mantenga la lima nivelada con la placa superior del diente. No deje que la lima se hunda o se sacuda.



5. Mantenga un ángulo de afilado correcto: 30° entre la lima y la cadena de la motosierra; vea las fig. 30 y 31. Use siempre un portalimas (se vende por separado) al afilar a mano cadenas de motosierra. Los portalimas tienen marcas para el ángulo de afilado.
6. Haciendo una presión leve pero firme, haga movimientos hacia la esquina frontal del diente. Aleje la lima levantándola del acero en cada movimiento de regreso.

7. Haga varios movimientos firmes en cada diente. Afile todos los eslabones cortantes izquierdos en una dirección. Luego pase al otro lado y afile los eslabones cortantes derechos en la dirección opuesta. Ocasionalmente, retire las virutas de la lima con un cepillo de alambre suave (fig. 32).



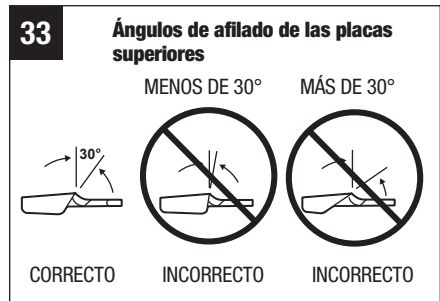
⚠ ADVERTENCIA: Si la cadena está desafilada o no está afilada correctamente, el motor puede alcanzar una velocidad demasiado alta durante el corte y dañarse gravemente.

⚠ ADVERTENCIA: Si el afilado de la cadena no es correcto, aumenta el potencial de efecto rebote.

⚠ ADVERTENCIA: Si no reemplaza o repara la cadena en caso de que esté dañada, se pueden producir lesiones graves.

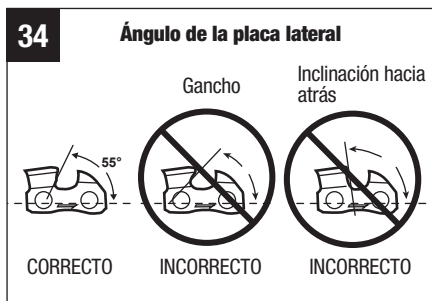
Ángulos de afilado de las placas superiores (fig. 33)

- **CORRECTO 30°:** Este ángulo óptimo puede obtenerse solo cuando se usan las limas especificadas y una posición de afilado correcta. Los portalimas tienen marcas de guía para alinear la lima correctamente y producir el ángulo correcto con las placas superiores.
- **MENOS DE 30°:** el diente queda demasiado desafilado para cortar.
- **MÁS DE 30°:** el borde del eslabón cortante queda muy afilado y corta muy rápidamente.



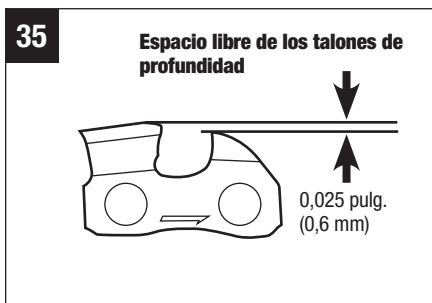
Ángulo de la placa lateral (fig. 34)

- **CORRECTO 55°:** El ángulo óptimo puede producirse automáticamente si se usa una lima con el diámetro correcto en el portalimas.
- **GANCHO:** “agarra” y se desafilan rápidamente. Aumenta el potencial de EFECTO REBOTE. Se produce cuando se usa una lima con un diámetro demasiado pequeño o cuando se sostiene la lima demasiado baja.
- **INCLINACIÓN HACIA ATRÁS:** necesita demasiada presión de alimentación, produce un desgaste excesivo en la espada y la cadena. Se produce cuando se usa una lima con un diámetro demasiado grande o cuando se sostiene la lima demasiado alta.

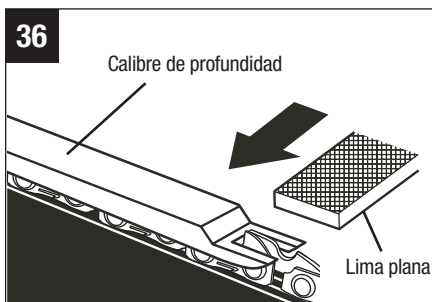


Espacio libre de los talones de profundidad

1. El talón de profundidad debe mantenerse a un espacio libre de 0,025 pulg. (0,6 mm), como se muestra en la fig. 35. Use un calibre de profundidad (se vende por separado) para medir el espacio libre de los talones de profundidad.
2. Cada vez que se afile la cadena, mida el espacio libre de los talones de profundidad.



Use una lima plana y un calibre de profundidad (se venden por separado) para bajar todos los talones uniformemente (fig. 36). Los calibres de profundidad están disponibles en 0,020 pulg. a 0,035 pulg. (0,5 mm a 0,9 mm). Use un calibre de profundidad de 0,025 pulg. (0,6 mm).



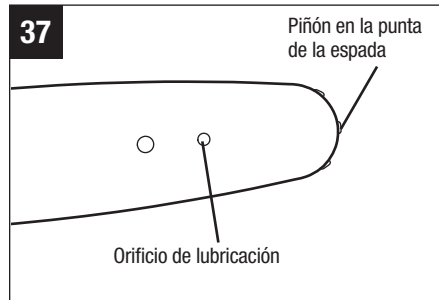
Los talones de profundidad pueden ajustarse con la lima plana en la misma dirección en que se limó el eslabón cortante adyacente con la lima redonda. Tenga precaución para no tocar la superficie del eslabón cortante con la lima plana cuando ajuste los talones de profundidad.

MANTENIMIENTO DE LA ESPADA

Cuando la espada muestre indicios de desgaste, voltéela en la motosierra para distribuir el desgaste y lograr la máxima vida útil. La espada debe limpiarse todos los días que se use y debe verificarse que no presente desgaste ni daños. Las deformaciones o rebabas en los rieles de la espada son una consecuencia normal del desgaste de la espada. Estos defectos deben suavizarse con una lima en cuanto ocurren. Si la espada tiene alguno de los siguientes defectos, debe reemplazarse.

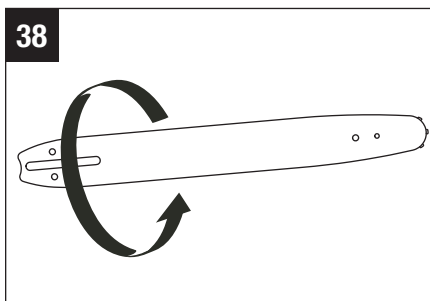
- Desgaste dentro de los rieles de la espada que permite que la cadena se apoye de costado.
- Dobleces en la espada.
- Rieles agrietados o rotos.
- Rieles muy abiertos.

Además, la espada tiene un piñón en la punta. El piñón debe lubricarse semanalmente con una jeringa de grasa para prolongar la vida útil de la espada. Use una jeringa de grasa para lubricar semanalmente con aceite para cadenas a través del orificio de lubricación (fig. 37). Voltee la espada y verifique que los orificios de lubricación y la ranura de la cadena estén libres de impurezas.



Cómo revertir la espada

1. Retire la espada y la cadena de la motosierra, siguiendo las instrucciones de la sección. **“REEMPLAZO DE LA ESPADA Y LA CADENA”**.
2. Retire la cadena de la motosierra y voltee la espada (fig. 38). La parte inferior de la cadena quedará del lado superior.
3. Reemplace la cadena en la espada.
4. Vuelva a ensamblar la espada y la cadena en la motosierra y ajuste la tensión de la cadena, siguiendo las instrucciones de las secciones: **“REEMPLAZO DE LA ESPADA Y LA CADENA”** y **“AJUSTE DE LA TENSIÓN DE LA CADENA”**.



TRANSPORTE Y ALMACENAJE

- No almacene ni transporte la motosierra si está en funcionamiento. Siempre retire el paquete de batería antes de almacenarla o transportarla.
- Coloque siempre la funda de la espada sobre la espada y la cadena antes de almacenar o transportar la motosierra.
- Limpie bien la motosierra antes de almacenarla. Almacene la motosierra en interiores, en un lugar seco que esté cerrado con llave y no sea accesible para los niños.
- Manténgala alejada de los agentes corrosivos, como productos químicos para jardín y sales para derretir hielo.

SOLUCIÓN DE PROBLEMAS

⚠ ADVERTENCIA: Siempre protéjase las manos usando guantes para trabajo pesado cuando realice el mantenimiento de la cadena de la motosierra. Siempre retire el paquete de batería para realizar el mantenimiento y transportar la motosierra.

PROBLEMA	CAUSA	SOLUCIÓN
El motor no funciona.	<ul style="list-style-type: none"> El paquete de batería no está colocado en la motosierra. 	<ul style="list-style-type: none"> Coloque el paquete de batería en la motosierra.
	<ul style="list-style-type: none"> No hay contacto eléctrico entre la motosierra y la batería. 	<ul style="list-style-type: none"> Retire la batería, revise los contactos y vuelva a instalar el paquete de batería.
	<ul style="list-style-type: none"> El paquete de batería está agotado. 	<ul style="list-style-type: none"> Cargue el paquete de batería.
	<ul style="list-style-type: none"> El paquete de batería o la motosierra están muy calientes. 	<ul style="list-style-type: none"> Deje enfriar el paquete de batería o la motosierra hasta que la temperatura descienda por debajo de los 152 °F (67 °C).
	<ul style="list-style-type: none"> El botón de desbloqueo no está liberado antes de presionar el gatillo interruptor. 	<ul style="list-style-type: none"> Presione y mantenga presionado el botón de desbloqueo, luego pulse el gatillo interruptor para encender la motosierra.
	<ul style="list-style-type: none"> El freno de la cadena está activado. 	<ul style="list-style-type: none"> Jale de la empuñadura del freno contra rebote de la cadena hacia atrás y hacia la parte frontal de la empuñadura.
	<ul style="list-style-type: none"> La cadena está ligada en la madera. 	<ul style="list-style-type: none"> Suelte el gatillo interruptor; retire la cadena y la espada de la madera, luego haga arrancar nuevamente la motosierra.
	<ul style="list-style-type: none"> Residuos en la ranura de la espada. 	<ul style="list-style-type: none"> Presione la cadena contra la madera, mueva la motosierra hacia delante y hacia atrás para descargar los residuos.
	<ul style="list-style-type: none"> Residuos en la cubierta lateral. 	<ul style="list-style-type: none"> Retire el paquete de batería, luego retire la cubierta lateral y limpie los residuos.

<p>El motor funciona, pero la cadena no se mueve.</p>	<ul style="list-style-type: none"> ■ La cadena no se engancha con el piñón de transmisión. 	<ul style="list-style-type: none"> ■ Vuelva a instalar la cadena, asegurándose de que los eslabones de transmisión de la cadena se asienten plenamente sobre el piñón.
<p>El freno de la cadena no se activa.</p>	<ul style="list-style-type: none"> ■ Hay residuos que impiden el movimiento completo de la empuñadura del freno contra rebote de la cadena. 	<ul style="list-style-type: none"> ■ Limpie los residuos del mecanismo externo del freno de la cadena.
	<ul style="list-style-type: none"> ■ Posible mal funcionamiento del freno de la cadena. 	<ul style="list-style-type: none"> ■ Póngase en contacto con el Servicio al Cliente de EGO.
<p>La motosierra no corta correctamente.</p>	<ul style="list-style-type: none"> ■ La tensión de la cadena no es suficiente. 	<ul style="list-style-type: none"> ■ Vuelva a ajustar la tensión de la cadena, siguiendo las instrucciones de la sección: “AJUSTE DE LA TENSIÓN DE LA CADENA”.
	<ul style="list-style-type: none"> ■ Cadena desafilada. 	<ul style="list-style-type: none"> ■ Afile los eslabones cortantes, siguiendo las instrucciones de la sección: “CÓMO AFILAR LOS ESLABONES CORTANTES”.
	<ul style="list-style-type: none"> ■ Cadena instalada hacia atrás. 	<ul style="list-style-type: none"> ■ Vuelva a instalar la cadena, siguiendo las instrucciones de la sección: “REEMPLAZO DE LA ESPADA Y LA CADENA”.
	<ul style="list-style-type: none"> ■ Cadena desgastada. 	<ul style="list-style-type: none"> ■ Reemplace la cadena, siguiendo las instrucciones de la sección: “REEMPLAZO DE LA ESPADA Y LA CADENA”.
	<ul style="list-style-type: none"> ■ Cadena seca o estirada excesivamente. 	<ul style="list-style-type: none"> ■ Controle el nivel de aceite. Si es necesario, llene el depósito de aceite.
	<ul style="list-style-type: none"> ■ Cadena fuera de la ranura de la espada. 	<ul style="list-style-type: none"> ■ Vuelva a instalar la cadena, siguiendo las instrucciones de la sección: “REEMPLAZO DE LA ESPADA Y LA CADENA”.
<p>La espada y la cadena funcionan en caliente y echan humo.</p>	<ul style="list-style-type: none"> ■ Verifique que la tensión de la cadena no sea demasiada. 	<ul style="list-style-type: none"> ■ Vuelva a tensar la cadena, siguiendo las instrucciones de la sección: “AJUSTE DE LA TENSIÓN DE LA CADENA”.
	<ul style="list-style-type: none"> ■ El depósito de aceite para la cadena está vacío. 	<ul style="list-style-type: none"> ■ Llenado del lubricante de la espada y la cadena.
	<ul style="list-style-type: none"> ■ Residuos en la ranura de la espada. 	<ul style="list-style-type: none"> ■ Limpie los residuos de la ranura.

GARANTÍA

POLÍTICA DE GARANTÍA DE EGO

Garantía limitada de 5 años para el equipo electromecánico para exteriores EGO y garantía limitada de 3 años para los cargadores y las baterías del Sistema EGO Power+.

Póngase en contacto con Servicio al Cliente de EGO de manera gratuita al 1-855-EGO-5656, cuando tenga preguntas o reclamaciones de garantía.

GARANTÍA LIMITADA DE SERVICIO

Este producto EGO está garantizado contra defectos en los materiales y la mano de obra POR CINCO AÑOS desde la fecha de su compra original. El producto defectuoso se reparará de manera gratuita.

El cargador y el paquete de batería del Sistema EGO Power+ están garantizados contra defectos en los materiales y la mano de obra POR TRES AÑOS desde la fecha de su compra original.

El producto defectuoso se reparará de manera gratuita.

Esta garantía no cubre piezas de mantenimiento de rutina o piezas fungibles, como la cadena y la espada, que puedan desgastarse durante el uso normal dentro del período de garantía.

- a) Esta garantía se aplica solo al comprador original en el distribuidor minorista y es intransferible.
- b) El período de garantía para cualquier pieza o producto EGO para propósitos industriales, profesionales o comerciales es de un año.
- c) Esta garantía queda nula si el producto se ha puesto en alquiler.
- d) Esta garantía no cubre daños producto de modificaciones, alteraciones o reparaciones no autorizadas.
- e) Esta garantía solo cubre defectos en condiciones de uso normales y no cubre fallas, mal funcionamiento o defectos del producto por uso indebido, abuso (incluida la sobrecarga del producto por encima de su capacidad y la exposición de forma directa al agua o lluvia), accidentes, negligencia o falta de instalación correcta, y almacenaje o mantenimiento inadecuados.

- f) Esta garantía no cubre el deterioro normal del acabado exterior, incluidos, entre otros, rayones, abolladuras, trozos de pintura o cualquier corrosión o decoloración producida por el calor, limpiadores químicos y abrasivos.

CÓMO OBTENER EL SERVICIO

Para obtener el servicio de garantía, póngase en contacto con el Departamento de Servicio al Cliente de EGO de manera gratuita al 1-855-EGO-5656. Cuando solicite el servicio de garantía, debe presentar el recibo de compra original con fecha. Se seleccionará un centro de servicio autorizado para reparar el producto de acuerdo con los términos de la garantía estipulados.

LIMITACIONES ADICIONALES

En la medida en que lo permita la ley aplicable, se rechazan todas las garantías implícitas, incluidas las garantías de comerciabilidad o idoneidad para un FIN en particular. Cualquier garantía implícita, incluidas las garantías de comerciabilidad o idoneidad para cualquier fin en particular, que no pueda ser rechazada según la ley estatal está limitada a cinco años desde la fecha de compra para el equipo electromecánico para exteriores y tres años desde la fecha de compra para el cargador y el paquete de batería.

Chervon North America no se hará responsable por daños directos, indirectos, accidentales o resultantes.

Algunos estados no permiten limitaciones con respecto a la duración de una garantía implícita y/o no permiten la exclusión o limitación de daños accidentales o resultantes, de modo que las limitaciones antes descritas podrían no aplicarse en su caso.

Esta garantía le otorga derechos legales específicos, pero podría tener también otros derechos que varían según el estado.

Para obtener el servicio al cliente, póngase en contacto con nosotros de manera gratuita al: 1-855-EGO-5656 o en EGOPOWERPLUS.COM

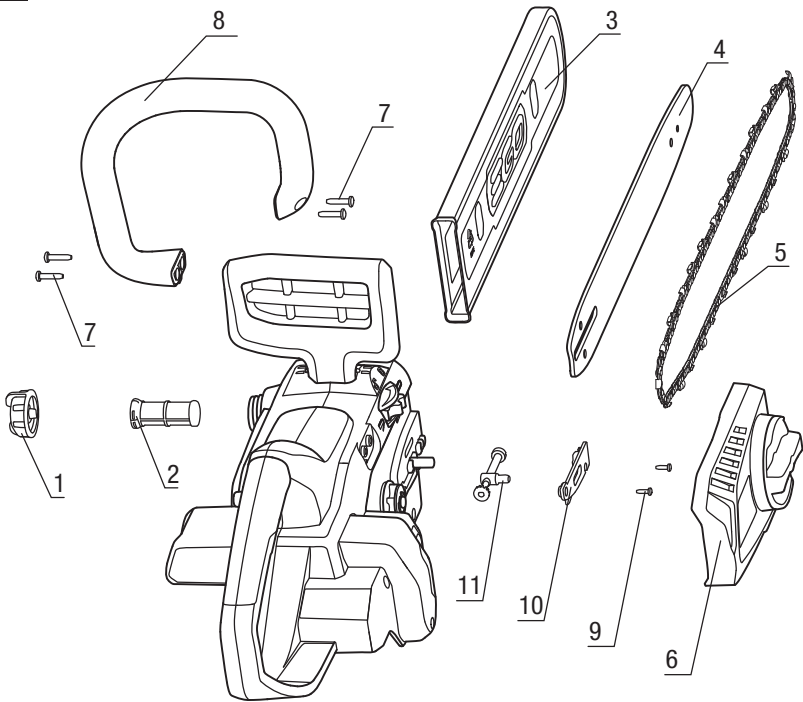
EGO Customer Service, 120 Ionia Street SW / Suite 102 Grand Rapids, MI 49503

LISTA DE PIEZAS

MOTOSIERRA INALÁMBRICA DE IONES DE LITIO DE 56 V NÚMERO DE MODELO CS1400

El número de modelo puede consultarse en la placa de identificación adherida a la carcasa de la motosierra. Cuando pida una pieza para esta herramienta, mencione siempre el número de modelo.

40



NÚMERO DE ÍNDICE	PIEZA NO.	DESCRIPCIÓN	ESPECIF.	CANT.
1	3127499000	Tapa del depósito de aceite		1
2	3402502000	Filtro de aceite		1
3	3127500000	Funda de la cadena		1
4	3705657000	Espada	14" (350 mm)	1
5	3810637000	Cadena de la motosierra		1
6	2823860000	Ensamblaje de la cubierta lateral		1
7	5610042000	Tornillos	ST4.2 x 19	4
8	3127504000	Empuñadura frontal		1
9	5610011000	Tornillos	ST2.9X10	2
10	3421169000	Placa de la cubierta		1
11	2823167000	Ensamblaje de tornillo de tensado		1

