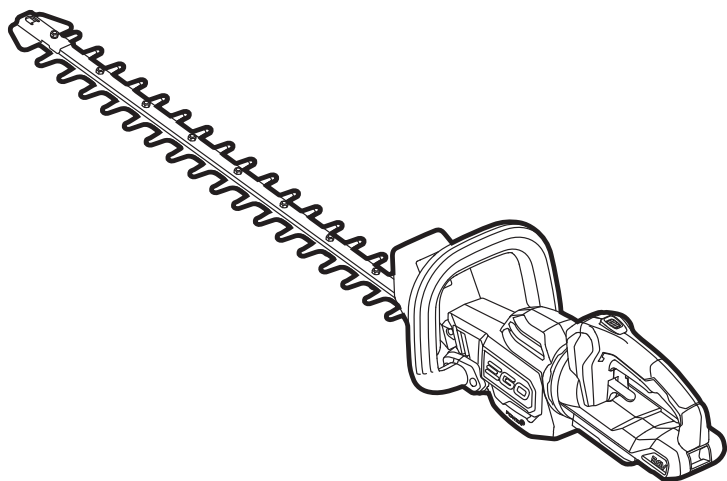


EGO™

POWER⁺ HEDGE TRIMMER



OPERATOR'S MANUAL

56-VOLT LITHIUM-ION CORDLESS HEDGE TRIMMER

MODEL NUMBER HT2600/HT2600-FC

Français p. 29

Español p. 63

⚠ WARNING: To reduce the risk of injury, the user must read and understand the Operator's Manual before using this product. Save these instructions for future reference.

TABLE OF CONTENTS

Safety Symbols	4
Safety Instructions	5-12
Introduction	13
Specifications	13
Description	14-16
Assembly	17
Packing List	17
Operation	18-23
Maintenance	24-25
Troubleshooting	26
Warranty	27-28

READ ALL INSTRUCTIONS!



READ & UNDERSTAND
INSTRUCTION MANUAL

⚠ WARNING: Drilling, sawing, sanding or machining wood products can expose you to wood dust, a substance known to the State of California to cause cancer. Avoid inhaling wood dust or use a dust mask or other safeguards for personal protection. For more information go to www.P65Warnings.ca.gov/wood.

⚠ WARNING: Some dust created by power cutting contains chemicals known to the state of California to cause cancer, birth defects or other reproductive harm. Some examples of these chemicals are:

- Lead from lead-based paints.
- Crystalline silica from bricks, cement, and other masonry products.
- Arsenic and chromium from chemically-treated lumber.





Your risk from these exposures varies, depending upon how often you do this type of work. To reduce your exposure to these chemicals:

- Work in a well-ventilated area.
- Work with approved safety equipment, such as dust masks that are specially designed to filter out microscopic particles.
- Avoid prolonged contact with dust from power sanding, sawing, grinding, drilling, and other construction activities. Wear protective clothing and wash exposed areas with soap and water. Allowing dust to get into your mouth or eyes or to lie on the skin may promote absorption of harmful chemicals.

SAFETY SYMBOLS

The purpose of safety symbols is to attract your attention to possible dangers. The safety symbols and the explanations with them deserve your careful attention and understanding. The symbol warnings do not, by themselves, eliminate any danger. The instructions and warnings they give are no substitutes for proper accident prevention measures.

⚠ WARNING: Be sure to read and understand all safety instructions in this Operator's Manual, including all safety alert symbols such as “**DANGER**”, “**WARNING**”, and “**CAUTION**” before using this machine. Failure to follow all instructions listed below may result in electric shock, fire, and/or serious personal injury.

The definitions below describe the level of severity for each signal word. Please read the manual and pay attention to these symbols.	
	This is the safety alert symbol. It is used to alert you to potential personal injury hazards. Obey all safety messages that follow this symbol to avoid possible injury or death.
 DANGER	DANGER indicates a hazardous situation which, if not avoided, will result in death or serious injury.
 WARNING	WARNING indicates a hazardous situation which, if not avoided, could result in death or serious injury.
 CAUTION	CAUTION, used with the safety alert symbol, indicates a hazardous situation which, if not avoided, will result in minor or moderate injury.

DAMAGE PREVENTION AND INFORMATION MESSAGES


These inform the user of important information and/or instructions that could lead to equipment or other property damage if they are not followed. Each message is preceded by the word “NOTICE”, as in the example below:

NOTICE: Equipment and/or property damage may result if these instructions are not followed.

SAFETY INSTRUCTIONS

This page depicts and describes safety symbols that may appear on this product. Read, understand, and follow all instructions on the machine before attempting to assemble and operate.

	Caution	Indicates a potential personal injury hazard.
	Read the Operator's Manual	To reduce the risk of injury, user must read operator's manual.
	Eye Protection	Always wear safety goggles or safety glasses with side shields and a full face shield when operating this product.
	Danger- Keep Hands Away from Blades	Contact with blade will result in serious personal injury.
	Recycle Symbol	This product uses lithium-ion (Li-Ion) batteries. Local, state, or federal laws may prohibit disposal of batteries in ordinary trash. Consult your local waste authority for information regarding available recycling and/or disposal options.
IP...	Ingress Protection Degree	Classifies the degree of protection provided by an enclosure, for electrical equipment.
V	Volt	Voltage
mm	Millimeter	Length or size
in.	Inch	Length or size

	Direct Current	Type or a characteristic of current
n_0	No-Load Speed	Rotational speed, at no load
SPM	Strokes Per Minute	Stroke speed, at no load
kg	Kilogram	Weight
lb	Pound	Weight

GENERAL MACHINE SAFETY WARNINGS

⚠ WARNING: Read all safety warnings, instructions, illustrations and specifications provided with this machine. Failure to follow all instructions listed below may result in electric shock, fire and/or serious injury.

Save all warnings and instructions for future reference.

The term “machine” in the warning refers to your mains-operated (corded) machine or battery-operated (cordless) machine.

WORK AREA SAFETY

- **Keep work area clean and well lit.** Cluttered or dark areas invite accidents.
- **Do not operate machines in explosive atmospheres, such as in the presence of flammable liquids, gases or dust.** Machines create sparks which may ignite the dust or fumes.
- **Keep children and bystanders away while operating a machine.** Distractions can cause you to lose control.

ELECTRICAL SAFETY

- **Machine plugs must match the outlet. Never modify the plug in any way. Do not use any adapter plugs with earthed (grounded) machines.** Unmodified plugs and matching outlets will reduce risk of electric shock.
- **Avoid body contact with earthed or grounded surfaces, such as pipes, radiators, ranges and refrigerators.** There is an increased risk of electric shock if your body is earthed or grounded.
- **Do not operate the machine in rain or wet conditions.** Water entering the machine may increase the risk of electric shock or malfunction that could result in personal injury.
- **Do not abuse the cord. Never use the cord for carrying, pulling or unplugging the machine. Keep cord away from heat, oil, sharp edges or moving parts.** Damaged or entangled cords increase the risk of electric shock.
- **When operating a machine outdoors, use an extension cord suitable for outdoor use.** Use of a cord suitable for outdoor use reduces the risk of electric shock.

- **If operating a machine in a damp location is unavoidable, use a GFCI protected supply.** Use of a GFCI reduces the risk of electric shock.

PERSONAL SAFETY

- **Stay alert, watch what you are doing and use common sense when operating a machine. Do not use a machine while you are tired or under the influence of drugs, alcohol or medication.** A moment of inattention while operating machines may result in serious personal injury.
- **Use personal protective equipment. Always wear eye protection.** Protective equipment such as a dust mask, non-skid safety shoes, hard hat or hearing protection used for appropriate conditions will reduce personal injuries.
- **Prevent unintentional starting. Ensure the switch is in the off-position before connecting to power source and/or battery pack, picking up or carrying the machine.** Carrying machines with your finger on the switch or energizing machines that have the switch on invites accidents.
- **Remove any adjusting key or wrench before turning the machine on.** A wrench or a key left attached to a rotating part of the machine may result in personal injury.
- **Do not overreach. Keep proper footing and balance at all times.** This enables better control of the machine in unexpected situations.
- **Dress properly. Do not wear loose clothing or jewelry. Keep your hair and clothing away from moving parts.** Loose clothes, jewelry or long hair can be caught in moving parts.
- **If devices are provided for the connection of dust extraction and collection facilities, ensure these are connected and properly used.** Use of dust collection can reduce dust-related hazards.
- **Do not let familiarity gained from frequent use of machines allow you to become complacent and ignore machine safety principles.** A careless action can cause severe injury within a fraction of a second.

MACHINE USE AND CARE

- **Do not force the machine. Use the correct machine for your application.** The correct machine will do the job better and safer at the rate for which it was designed.

- **Do not use the machine if the switch does not turn it on and off.** Any machine that cannot be controlled with the switch is dangerous and must be repaired.
- **Disconnect the plug from the power source and/or remove the battery pack, if detachable, from the machine before making any adjustments, changing accessories, or storing machines.** Such preventive safety measures reduce the risk of starting the machine accidentally.
- **Store idle machines out of the reach of children and do not allow persons unfamiliar with the machine or these instructions to operate the machine.** Machines are dangerous in the hands of untrained users.
- **Maintain machines and accessories. Check for misalignment or binding of moving parts, breakage of parts and any other condition that may affect the machine's operation. If damaged, have the machine repaired before use.** Many accidents are caused by poorly maintained machines.
- **Keep cutting machines sharp and clean.** Properly maintained cutting machines with sharp cutting edges are less likely to bind and are easier to control.
- **Use the machine, accessories and machine bits, etc. in accordance with these instructions, taking into account the working conditions and the work to be performed.** Use of the machine for operations different from those intended could result in a hazardous situation.
- **Keep handles and grasping surfaces dry, clean and free from oil and grease.** Slippery handles and grasping surfaces do not allow for safe handling and control of the machine in unexpected situations.

BATTERY MACHINE USE AND CARE

- **Recharge only with the charger specified by the manufacturer.** A charger that is suitable for one type of battery pack may create a risk of fire when used with another battery pack.
- **Use machines only with specifically designated battery packs.** Use of any other battery packs may create a risk of injury and fire.
- **When battery pack is not in use, keep it away from other metal objects, like paper clips, coins, keys, nails, screws or other small metal objects, that can make a connection from one terminal to another.** Shorting the battery terminals together may cause burns or a fire.

- **Under abusive conditions, liquid may be ejected from the battery; avoid contact. If contact accidentally occurs, flush with water.** If liquid contact eyes, additionally seek medical help. Liquid ejected from the battery may cause irritation or burns.
- **Do not use a battery pack or machine that is damaged or modified.** Damaged or modified batteries may exhibit unpredictable behavior resulting in fire, explosion or risk of injury.
- **Do not expose a battery pack or machine to fire or excessive temperature.** Exposure to fire or temperature above 265 °F (130 °C) may cause explosion.
- **Follow all charging instructions and do not charge the battery pack or machine outside the temperature range specified in the instructions.** Charging improperly or at temperatures outside the specified range may damage the battery and increase the risk of fire.

SERVICE

- **Have your machine serviced by a qualified repair person using only identical replacement parts.** This will ensure that the safety of the machine is maintained.
- **Never service damaged battery packs.** Service of battery packs should only be performed by the manufacturer or authorized service providers.

HEDGE TRIMMER SAFETY WARNINGS

- **Keep all parts of the body away from the blade. Do not remove cut material or hold material to be cut when blades are moving.** Blades continue to move after the switch is turned off. A moment of inattention while operating the hedge trimmer may result in serious personal injury.
- **Carry the hedge trimmer by the handle with the blade stopped and taking care not to operate any power switch.** Proper carrying of the hedge trimmer will decrease the risk of inadvertent starting and resultant personal injury from the blades.
- **When transporting or storing the hedge trimmer, always fit the blade cover.** Proper handling of the hedge trimmer will decrease the risk of personal injury from the blades.

- **When clearing jammed material or servicing the unit, make sure all power switches are off and the battery pack is removed or disconnected.** Unexpected actuation of the hedge trimmer while clearing jammed material or servicing may result in serious personal injury.
- **Hold the hedge trimmer by insulated gripping surfaces only, because the blade may contact hidden wiring.** Blades contacting a “live” wire may make exposed metal parts of the hedge trimmer “live” and could give the operator an electric shock.
- **Keep all power cords and cables away from cutting area.** Power cords or cables may be hidden in hedges or bushes and can be accidentally cut by the blade.
- **Do not use the hedge trimmer in bad weather conditions, especially when there is a risk of lightning.** This decreases the risk of being struck by lightning.
- **Operate the hedge trimmer at ground level only.** Do not operate on ladders or any other unstable support.
- **Make sure that the rear handle is in locked position before operating the hedge trimmer.**

IMPORTANT SAFETY INSTRUCTIONS

- Do not charge the battery pack in rain or in wet locations.
- Use only with the battery packs and chargers listed below:

BATTERY	CHARGER
BA1400, BA1400-FC, BA2800, BA2800-FC, BA4200, BA4200-FC, BA1400T, BA1400T-FC, BA2242T, BA2242T-FC, BA2800T, BA2800T-FC, BA3360T, BA3360T-FC, BA4200T, BA4200T-FC, BA4480T, BA4480T-FC, BA5600T, BA5600T-FC, BA6720T, BA6720T-FC	CH2100, CH2100-FC, CH3200, CH3200-FC, CH5500, CH5500-FC, CH2800D, CH2800D-FC, CH7000, CH7000-FC

- Do not grasp the exposed cutting blades or cutting edges when picking up or holding the hedge trimmer.
- Do not use on a ladder, rooftop, tree, or other unstable support. Stable footing on a solid surface enables better control of the hedge trimmer in unexpected situations.
- Never allow children to operate the hedge trimmer.

- Never remove or tamper with safety devices. Check their proper operation regularly. Never do anything to interfere with the intended function of a safety device or to reduce the protection provided by a safety device.
- Never operate the hedge trimmer without proper guards, plates, or other safety protective devices in place.
- Check damaged parts before further use of the hedge trimmer. A guard or other part that is damaged should be carefully checked to determine that it will operate properly and perform its intended function. Check for alignment of moving parts, binding of moving parts, breakage of parts, mounting, and any other condition that may affect its operation. A guard or other part that is damaged should be properly repaired or replaced by an authorized service center unless indicated elsewhere in this manual.
- Check the blade and motor mounting bolts at frequent intervals for proper tightness. Also, visually inspect blade for damage (e.g., bent, cracked, and worn). Replace the blade only with a blade from the original equipment manufacturer (OEM).
- Replace the blade if it is bent or cracked. An unbalanced blade causes vibration that could damage the motor drive unit or cause personal injury.
- If the equipment should start to vibrate abnormally, stop the motor and check immediately for the cause. Vibration is generally a warning of trouble.
- The trimmer shall be used to cut stems less than 1.2 in. (30.5 mm) thick.
- Trim only in daylight or in good artificial light.
- Remove or disconnect battery before servicing, cleaning, or removing material from the hedge trimmer.
- Do not wash with a hose; avoid getting water in motor and electrical connections.
- When servicing use only identical replacement parts listed in this manual. Use of parts which do not meet the original equipment specifications may lead to improper performance and compromised safety.
- Do not incinerate the appliance even if it is severely damaged. The batteries can explode in a fire.
- Follow instructions for lubricating and changing accessories.
- Keep handles dry, clean and free from oil and grease.
- Check the hedges and bushes for foreign objects, e.g. wire fences and hidden wiring before operating the machine.
- **Save these instructions.** Refer to them frequently and use them to instruct others who may use this machine. If you loan this machine to someone else, also loan these instructions to them to prevent misuse of the product and possible injury.

INTRODUCTION


Congratulations on your selection of a new generation of 56V Lithium-ion powered hedge trimmer. It has been designed, engineered and manufactured to give you the best possible dependability and performance.

Should you experience any problem you cannot easily remedy, please contact EGO customer service center 1-855-EGO-5656.

This manual contains important information on the safe assembly, operation and maintenance of your hedge trimmer. Read it carefully before using the hedge trimmer. Keep this manual handy so you can refer to it at any time.

SERIAL NUMBER _____ DATE OF PURCHASE _____
YOU SHOULD RECORD BOTH SERIAL NUMBER AND DATE OF PURCHASE AND KEEP IN A SAFE PLACE FOR FUTURE REFERENCE

SPECIFICATIONS

Voltage	56V 
No-Load Speed	3400 SPM
Cutting Length	26 in. (660 mm)
Cutting Capacity	1.2 in. (30.5 mm)
Recommended Operating Temperature	32 °F – 104 °F (0 °C – 40 °C)
Recommended Storage Temperature	-4 °F – 158 °F (-20 °C – 70°C)
Weight (Without battery pack, blade guard)	6.92 lb. (3.14 kg)
Ingress Protection Rating	IPX4* (Protection from splashing water)

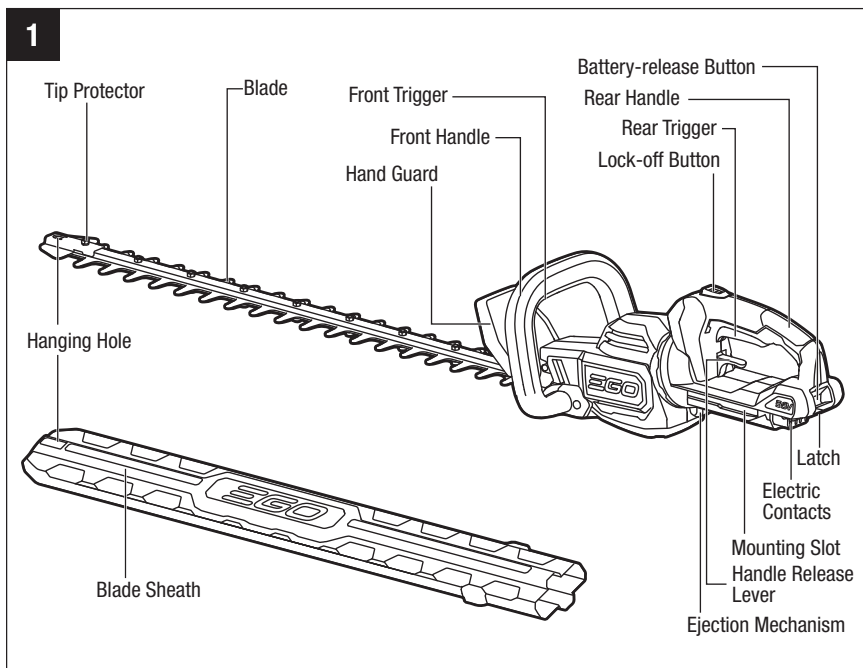
* **NOTE:** IPX4 rating is based on the machine and battery being used together as a system.

DESCRIPTION

KNOW YOUR HEDGE TRIMMER (Fig. 1)

⚠ WARNING: This product has been shipped completely assembled. The hand guard shall never be removed during use. Once damaged, have it replaced immediately by a qualified service technician.

⚠ WARNING: The safe use of this product requires an understanding of the information on the machine and in this operator's manual, as well as knowledge of the project you are attempting. Before using this product, familiarize yourself with all operating features and safety rules.



Hand Guard

Helps to protect the operator's hands; deflects chips or other debris away from the operator.

Front Handle

For easy control of the machine.

Rear Handle

Ergonomic handle with overmold improves comfort and grip.

Lock-off Button

Helps to prevent accidental or unauthorized activation of the trigger. It must be depressed before the trigger can be activated.

Front Trigger/Rear Trigger

The hedge trimmer can be started only if both triggers (on the front and rear handles) are depressed at the same time.

Blades

Hardened steel blades for cutting hedges and shrubs.

Blade Sheath

The blade sheath keeps the operator from coming in contact with the sharp blades when the machine is not in use. It also helps keep the blades from being nicked or damaged when the machine is in being transported or stored.

Tip Protector

Protects the outer tip of the blade.

Battery-release Button

Press to release the battery pack from the machine.

Latch

Locks the battery pack in place when installed on the machine.

Ejection Mechanism

Aids in removing the battery.

Handle Release Lever

Can be raised up to pivot the rear handle.

ASSEMBLY

⚠ WARNING: If any parts are damaged or missing, do not operate this product until the parts are replaced. Use of this product with damaged or missing parts could result in serious personal injury.

⚠ WARNING: Do not attempt to modify this product or create accessories not recommended for use with this hedge trimmer. Any such alteration or modification is misuse and could result in a hazardous condition leading to possible serious personal injury.

⚠ WARNING: To prevent accidental starting that could cause serious personal injury, always remove the battery pack from the machine when assembling parts.

UNPACKING

This product has been shipped completely assembled.

- Carefully remove the product and any accessories from the box. Make sure that all items listed in the packing list are included.
- Inspect the machine carefully to make sure that no breakage or damage occurred during shipping.
- Do not discard the packing material until you have carefully inspected and satisfactorily operated the machine.
- If any parts are damaged or missing, please return the product to the place of purchase.

PACKING LIST

PART NAME	QUANTITY
Hedge Trimmer	1
Blade Sheath	1
Operator's manual	1

OPERATION

⚠ WARNING: Do not allow familiarity with this product to make you careless. Remember that a careless fraction of a second is sufficient to inflict serious injury.

⚠ WARNING: Always wear eye protection comply with ANSI Z87.1. Failure to do so could result in objects being thrown into your eyes and other possible serious injuries.

⚠ WARNING: Do not use any attachments or accessories not recommended by the manufacturer of this product. The use of attachments or accessories not recommended can result in serious personal injury.

⚠ WARNING: To prevent serious personal injury, remove the battery pack from the machine before servicing, cleaning, changing attachments or removing material from the unit.

Before each use, inspect the entire product for damaged, missing, or loose parts such as screws, nuts, bolts, caps, etc. Securely tighten all fasteners and caps and do not operate this product until all missing or damaged parts are replaced.

APPLICATION

You may use this product for trimming hedges, shrubs and bushes with a branch diameter of less than 1.2 in. (30.5 mm).

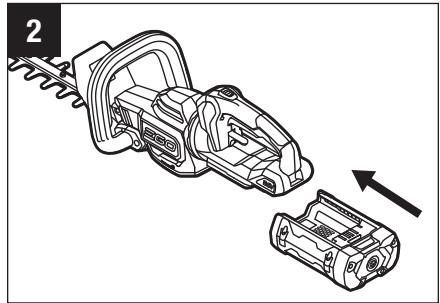
NOTE: The machine is to be used only for its prescribed purpose. Any other use is deemed a misuse.

TO INSTALL/REMOVE BATTERY PACK (Fig. 2 & 3)

NOTE: Fully charge the battery pack before first use.

To Install Battery Pack (Fig. 2)

- Align the ribs of the battery pack with the battery-mounting slots on the hedge trimmer.
- Slide the battery pack in until it snaps into position.

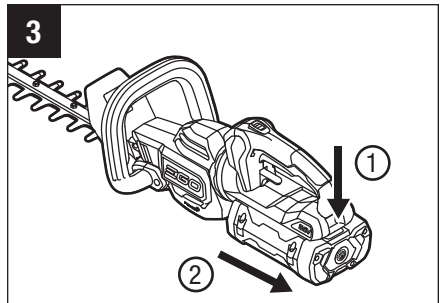


NOTE: Make sure that the latch on the hedge trimmer snaps into place and the battery pack is secured to the machine before beginning operation.

To Remove Battery Pack (Fig. 3)

⚠ WARNING: Always be aware of the location of your feet, children, and pets when pressing the battery-release button. Serious injury could result if the battery pack falls. NEVER remove the battery pack at a high location.

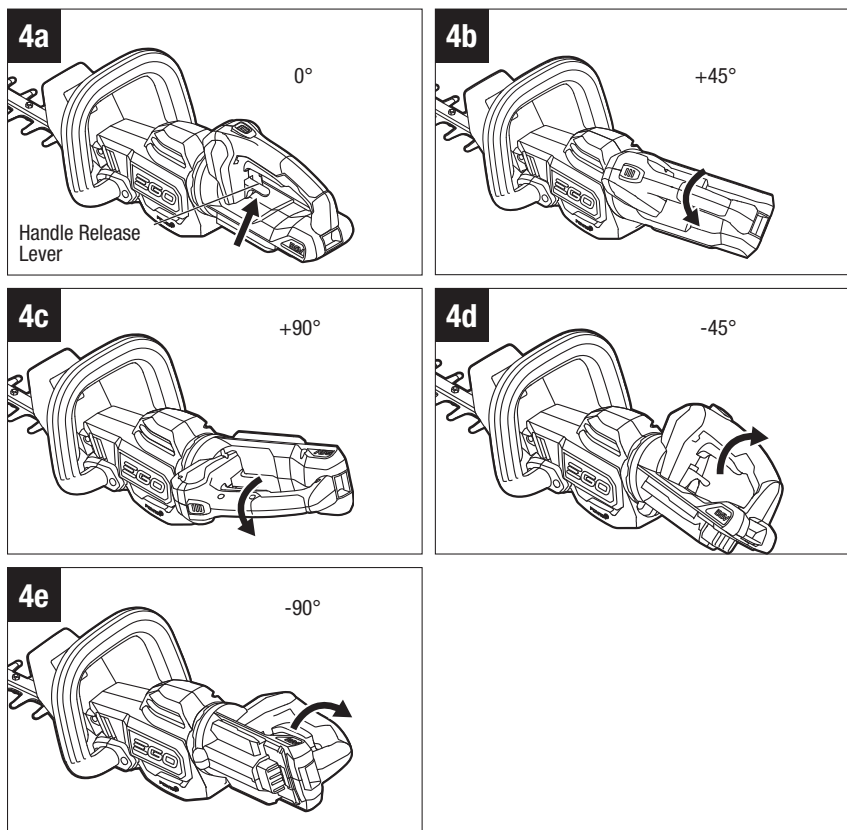
- Press the battery-release button; the battery pack will disengage from the latch.
- Grasp the battery pack and remove it from the hedge trimmer.



HOLDING THE HEDGE TRIMMER

With the blade directed away from you, always hold the trimmer with both hands. One hand on the front handle and the other hand on the rear handle.

The rear handle can be pivoted and fixed in one of the five positions: 0° (default position), +45°, +90°, -45°, and -90°. This gives you many choices for a comfortable grip when performing trimming operations (Fig. 4a – Fig. 4e).



To reposition the rear handle:

1. Disconnect the battery pack.
2. Lift the handle release lever and start pivoting the handle in the desired direction.

3. Release the handle release lever and continue pivoting the handle.
4. The handle will automatically lock in place once it reaches the nearest detent.

⚠ WARNING: Do not attempt to pivot the handle while the machine is running. Stop the machine and remove the battery first.

STARTING/STOPPING THE HEDGE TRIMMER

Before operating, remove the blade sheath and hold the trimmer with both hands, one hand on the rear handle and the other on the front handle. Then check for balanced footing, upright standing and a proper cutting distance.

⚠ WARNING: Always keep both hands on the hedge trimmer handles. Never hold shrubs with one hand and operate the hedge trimmer with the other. Failure to heed this warning may result in serious injury.

TO START THE HEDGE TRIMMER

1. Install the battery pack.
2. Squeeze and hold the front trigger with one hand.
3. Press and hold the lock-off button with the thumb of your other hand, then squeeze the rear trigger with your fingers to start the hedge trimmer. Release the lock-off button but continue to squeeze the trigger for continued operation.

TO STOP THE HEDGE TRIMMER

Move hedge trimmer away from the cutting area and release either of the triggers to stop it.

⚠ DANGER: Always remove the battery pack from the hedge trimmer during work breaks and after finishing work.

USING THE HEDGE TRIMMER

⚠ DANGER: If the blade jams on any electrical cord or line, **DO NOT TOUCH THE BLADE! IT CAN BECOME ELECTRICALLY LIVE AND VERY DANGEROUS.** Continue to hold the hedge trimmer by the insulated rear handle or lay it down and away from you in a safe manner. Disconnect the electrical service to the damaged line or cord before attempting to free the blade from the line or cord. Failure to heed this warning will result in serious personal injury or possible death.

⚠ WARNING: If any parts are missing, damaged or broken, do not operate your trimmer until they have been replaced. Failure to do so could result in possibly serious personal injury.

⚠ WARNING: To prevent serious personal injury, always use both the front handle and the rear handle to hold the hedge trimmer during operation.

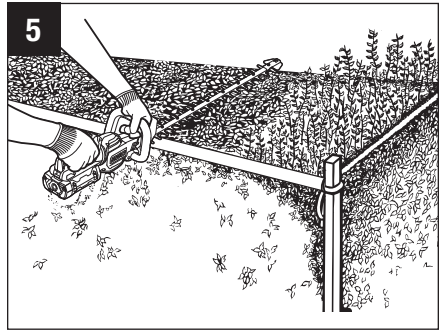
⚠ WARNING: To prevent serious personal injury, keep hands away from blades. Do not attempt to remove cut material or hold material to be cut when the blades are moving. Make sure that the blades have completely stopped and the battery pack is removed before clearing jammed material from blades. Do not grasp the exposed cutting blades or cutting edges when picking up or holding the unit.

⚠ WARNING: Clear the area to be cut before each use. Remove all objects, such as cords, lights, wire, or string which can become entangled in the cutting blade and create a risk of serious personal injury.

- Before starting the hedge trimmer, maintain proper footing and balance and do not overreach. Wear safety goggles, non-skid footwear and rubber gloves. Hold the unit with both hands with the cutting blades directed away from you.
- Do not trim too much at once. This can cause the blades to bind and slow down, reducing the cutting efficiency.
- Do not force the hedge trimmer through heavy shrubbery. This can cause the blades to bind and slow down. If the blades slow down, reduce the pace of your work.
- When trimming new growth, use a wide sweeping action, so that the stems are fed directly into the cutting blade. Older growth will have thicker stems and will be trimmed most easily by using a back-and-forth motion.
- Always cut stems or twigs that are less than 1.2 in (30.5 mm) thick. Use a non-powered hand saw or pruning saw to trim large stems.

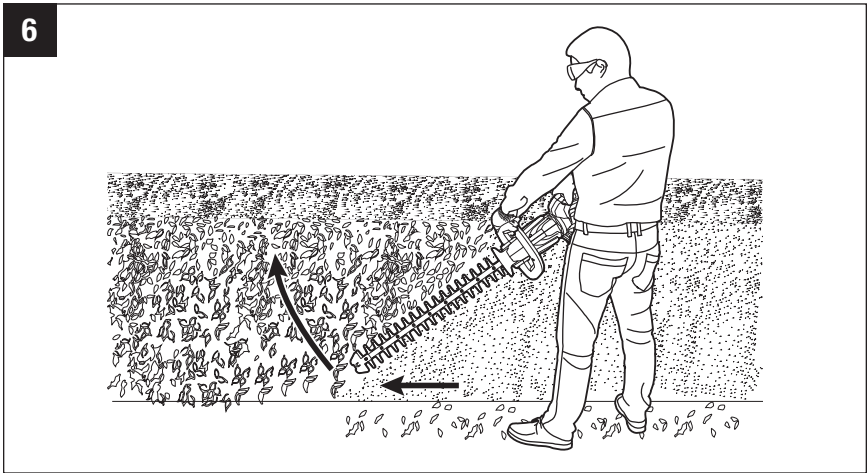
TOP CUTTING

Use a wide sweeping motion. A slight downward tilt of the cutting blades in the direction of motion gives the best cutting results. For a better cutting effect, you may use the string to guide the hedge level (Fig. 5).



SIDE CUTTING

When trimming the sides of the hedge, begin at the bottom and cut upwards (Fig. 6). Trim the side of a hedge so that it will be slightly narrower at the top. This shape will expose more of the hedge to sunlight, resulting in a more uniform growth.



MAINTENANCE

⚠ WARNING: When servicing, only use identical replacement parts. Use of any other parts may create a hazard or cause product damage. To ensure safety and reliability, all repairs should be performed by a qualified service technician.

⚠ WARNING: To avoid serious personal injury, always remove the battery pack from the product when cleaning or performing any maintenance.

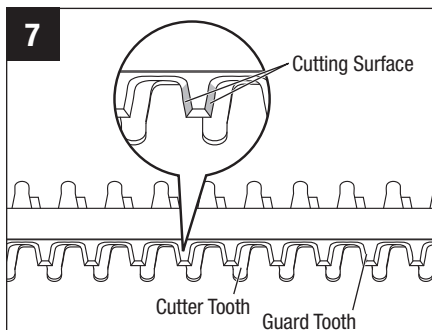
CLEANING

- Use a soft brush to remove debris from all air intakes and cutting blade.
- To remove pitch and other sticky residue, spray the blades with resin solvent. Run the motor briefly so that the solvent is even distributed, then wipe the surface with a dry cloth.

⚠ WARNING: Never use water for cleaning your trimmer. Avoid using solvents when cleaning plastic parts. Most plastics are susceptible to damage from various types of commercial solvents. Use clean cloths to remove dirt, dust, oil, grease, etc.

SHARPENING THE CUTTING BLADE

1. Start and stop your hedge trimmer until the cutter blade and the guard are slightly offset, as shown in Fig. 7. This will allow clearance for the file between cutter teeth and guard teeth.
2. Remove the battery pack from your hedge trimmer.
3. Clamp the blade assembly in a vise and file the exposed cutting surface of each blade tooth. Remove as little material as possible. Be sure to retain the original angle of each tooth when filing.
4. Remove the hedge trimmer from the vise; reinstall the battery, restart it and then stop it to expose the unsharpened edges of the blade teeth.
5. Remove the battery pack and repeat the sharpening procedure above.

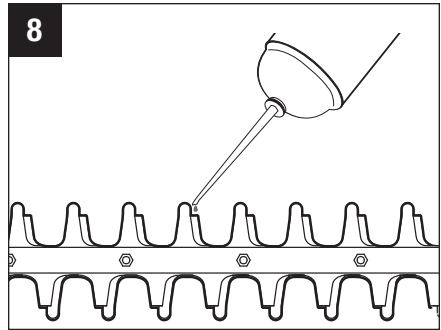


NOTE: Do not operate your hedge trimmer with dull or damaged cutting blades. This may cause overload and will give unsatisfactory cutting results.

LUBRICATING THE BLADES (Fig. 8)

For best operation and longer blade life, lubricate the hedge trimmer blades with light-weight machine oil before and after each use.

1. Remove the battery pack from the hedge trimmer.
2. Lay the hedge trimmer on a flat surface. Apply some light-weight machine oil along the edge of the top blades. If you will be using the hedge trimmer for an extended time, it is advisable to take a break, remove the battery, and oil the blades.



If the upper blades are aligned completely with the lower ones, start the hedge trimmer and then stop it to offset the blades before lubrication.

⚠ WARNING: Do not oil while the hedge trimmer is running.

⚠ WARNING: Blades are sharp. When handling the blade assembly, wear nonslip, heavy-duty protective gloves. Do not place your hand or fingers between blades or in any position where they could get pinched or cut. NEVER touch blades or service the unit with battery pack installed.

TRANSPORTING AND STORING

- Always place the blade sheath on the blade before storing or transporting the hedge trimmer. Use caution to avoid the sharp teeth of the blade.
- Clean the hedge trimmer thoroughly before storing.
- Store the hedge trimmer indoors, in a dry place that is inaccessible to children.
- Keep away from corrosive agents such as garden chemicals and deicing salts.

⚠ WARNING: Blades are sharp. When handling the blade assembly, wear non-slip, heavy-duty protective gloves. Do not place your hand or fingers between blades or in any position where they could get pinched or cut. NEVER touch blades or service the unit with battery pack installed.

TROUBLESHOOTING

PROBLEM	CAUSE	SOLUTION
Hedge trimmer doesn't work.	<ul style="list-style-type: none"> ■ The battery pack is not attached to the hedge trimmer. ■ No electrical contact between the hedge trimmer and battery pack. ■ The battery pack is depleted. ■ The battery pack or the hedge trimmer is too hot. ■ The front and rear triggers are not depressed simultaneously. ■ The blade is jammed. 	<ul style="list-style-type: none"> ■ Attach the battery pack to the hedge trimmer. ■ Remove the battery, check contacts and reinstall the battery pack ■ Charge the battery pack. ■ Remove the battery pack from the hedge trimmer and allow the battery or the hedge trimmer to cool until their temperature drops below 152°F (67°C). ■ Press the lock-off button first and then press the triggers in the front and rear handle simultaneously. ■ Remove the battery pack from the machine, remove the obstruction carefully, then reinsert the battery and restart the machine.
Excessive vibration or noise.	<ul style="list-style-type: none"> ■ Dry or corroded blades. ■ Blades or blade support is bent. ■ Bent or damaged teeth. ■ Loose blade bolts. 	<ul style="list-style-type: none"> ■ Lubricate the blades, following the instructions in the “LUBRICATING THE BLADE” section in this manual. ■ Replace with a new blade or support. Contact EGO service center for blade or blade replacement service. ■ Replace with a new blade. Contact EGO service center for blade replacement service. ■ Tighten the blade bolts. Use an adjustable wrench and a 3 mm/4 mm hex wrench (not included) to tighten the blade bolts clockwise.



EGO LIMITED WARRANTY

WARRANTY POLICY TERMS AND DURATION

Chervon North America, Inc. (“Chervon North America”) provides the following Limited Warranty for EGO products to the original purchaser of EGO products.

The detailed warranty period for each EGO product can be found online at <http://egopowerplus.com/warranty-policy>.

Please contact EGO Customer Service Toll-Free at 1-855-EGO-5656 any time you have questions or warranty claims or would like a hard copy of the warranty.

LIMITED SERVICE WARRANTY

EGO products are warranted against defects in material or workmanship from the date of original retail purchase for the applicable warranty period. For any properly and timely submitted warranty claim, if Chervon North America determines a product to be defective during the warranty period, the product will receive free repair or replacement as determined by Chervon North America.

HOW TO OBTAIN SERVICE

For warranty service, within the applicable warranty period, please contact EGO Customer Service toll-free at 1-855-EGO-5656. When requesting warranty service, you must present the original dated sales receipt. An authorized service center will be selected to evaluate and repair the product if defective according to the stated warranty terms. When bringing your product to the authorized service center, there may be a small deposit that will be required when dropping off your tool. This deposit is refundable when the repair service is deemed to be covered under warranty.

ADDITIONAL LIMITATIONS & EXCLUSIONS

This limited warranty applies only to the original purchaser from an authorized EGO retailer and is not transferable. EGO products shall not be considered defective, and this warranty will not apply, where the claimed defect is attributable to any cause other than the above-defined defects. This warranty shall be void if the product has been used for rental purposes. This warranty shall not apply to damage caused by accident, abuse, misuse, alteration, modification, unauthorized repair, liquid contact, fire, earthquake or



other external cause; operating the product outside EGO's instructions, specifications or guidelines; or failure to properly service or maintain the product. This warranty also does not apply to cosmetic damage, including but not limited to scratches or dents; defects caused by normal wear and tear or otherwise due to the normal aging of the product.

THIS EXPRESS WARRANTY IS GIVEN IN LIEU OF ALL OTHER WARRANTIES, EXPRESS OR IMPLIED, INCLUDING, BUT NOT LIMITED TO, ANY WARRANTIES OF MERCHANTABILITY OR FITNESS FOR PARTICULAR PURPOSE OR USE, WHICH ARE DISCLAIMED. Any implied warranties, including warranties of merchantability or fitness for a particular purpose, that cannot be disclaimed under state law are limited to the applicable warranty period defined at the beginning of this article. The sole and exclusive remedy in connection with the purchase, installation, use, and/or performance of the EGO products is repair or replacement of the product as determined by Chervon North America. Chervon North America's maximum liability shall not in any case exceed the purchase price paid for the product. CHERVON NORTH AMERICA SHALL NOT BE LIABLE TO THE USER OR TO ANYONE ELSE FOR CONSEQUENTIAL, INCIDENTAL, SPECIAL, EXEMPLARY, INDIRECT, OR PUNITIVE DAMAGES ARISING FROM USE OF THE PRODUCTS, INCLUDING BUT NOT LIMITED TO PERSONAL INJURY, DEATH, PROPERTY DAMAGE, LOST PROFITS, OR OTHER ECONOMIC INJURY. This warranty gives you specific legal rights, and you may also have other rights which vary from state to state. Some states do not allow limitations on how long an implied warranty lasts, the exclusion or limitation of incidental or consequential damages, or the limitations on time to bring certain actions, so such limitations contained herein do not apply to individual consumers in those states.

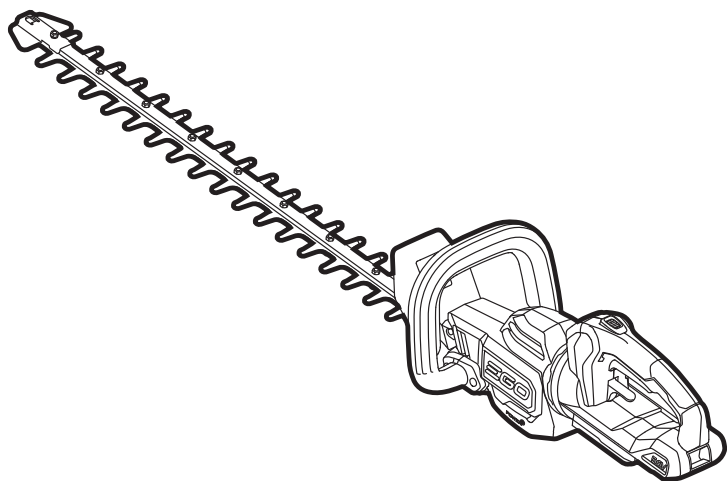
This warranty is subject to and shall be interpreted according to Michigan law without regard to principles of conflicts of laws. No legal action shall be brought against Chervon North America unless filed within one (1) year after the basis for such legal action becomes known, or with the exercise of reasonable diligence should have become known. Any action not timely filed shall be deemed waived.

For customer service contact us toll-free at:
1-855-EGO-5656 or EGOPOWERPLUS.COM.

EGO Customer Service
769 Seward Ave. NW, Suite 102
Grand Rapids, Michigan 49504.

EGO™

POWER⁺ HEDGE TRIMMER



GUIDE D'UTILISATION

TAILLE-HAIE SANS FIL À PILE AU LITHIUM-ION DE 56 V

NUMÉRO DE MODÈLE HT2600/HT2600-FC

⚠ AVERTISSEMENT : Afin de réduire les risques de blessure, l'utilisateur doit lire et comprendre le guide d'utilisation avant d'utiliser ce produit. Conservez le présent guide afin de pouvoir le consulter ultérieurement.

TABLE DES MATIÈRES

Symboles de sécurité	32
Consignes de sécurité.....	33-41
Introduction	42
Spécifications	42
Description.....	43-45
Assemblage	46
Liste des pièces	47
Fonctionnement	48-54
Entretien.....	55-57
Dépannage.....	58-59
Garantie	60-61

LISEZ TOUTES LES INSTRUCTIONS!



ASSUREZ-VOUS DE LIRE ET DE COMPRENDRE
LE GUIDE D'UTILISATION

⚠ AVERTISSEMENT : Le perçage, le sciage, le ponçage ou l'usinage de produits en bois peuvent vous exposer à de la poussière de bois, une substance qui, selon l'État de Californie, est susceptible de causer des cancers. Évitez d'inhaler de la sciure de bois, ou utilisez un masque antipoussière ou d'autres dispositifs de protection individuelle. Pour obtenir plus d'informations, rendez-vous sur le site www.P65Warnings.ca.gov/wood.

⚠ AVERTISSEMENT : Des travaux de ponçage, de sciage, de meulage et de perçage réalisés avec un outil électrique et d'autres travaux de construction peuvent produire des poussières qui, selon l'État de Californie, contiennent des produits chimiques qui sont des causes reconnues de cancer, de malformation congénitale ou d'autres problèmes reproductifs. Ces produits chimiques sont, par exemple :

- du plomb provenant de peinture au plomb,
- des cristaux de silice provenant des briques et du ciment, ou d'autres produits de maçonnerie, et
- de l'arsenic et du chrome provenant de bois de construction traité par des produits chimiques.



Le niveau de risque causé par de telles expositions varie en fonction de la fréquence de ces types de travaux. Pour réduire votre exposition à ces produits chimiques :

- Travaillez toujours dans un endroit bien ventilé.
- Portez un équipement de sécurité approprié tel que certains masques conçus spécialement pour filtrer les particules microscopiques.
- Évitez tout contact prolongé avec la poussière produite par le ponçage, le sciage, le meulage, le perçage et d'autres activités de construction avec des outils électriques. Portez des vêtements de protection et lavez les surfaces de la peau ayant été exposées avec de l'eau et du savon. Si vous laissez de la poussière pénétrer dans votre bouche ou dans vos yeux, ou rester sur votre peau, cela risquerait de promouvoir l'absorption de produits chimiques toxiques.

SYMBOLES DE SÉCURITÉ

L'objectif des symboles de sécurité est d'attirer votre attention sur les dangers potentiels. Vous devez consulter soigneusement et comprendre les symboles de sécurité et les explications qui les accompagnent. Les symboles d'avertissement n'éliminent pas le danger d'eux-mêmes. Les consignes et avertissements qu'ils donnent ne remplacent en aucun cas la prise de mesures préventives adéquates.

⚠ AVERTISSEMENT: Assurez-vous de lire et de comprendre toutes les consignes de sécurité présentées dans le présent mode d'emploi, notamment toutes les consignes de sécurité indiquées par « **DANGER** », « **AVERTISSEMENT** » et « **MISE EN GARDE** ». Le non-respect des consignes de sécurité ci-dessous peut occasionner une décharge électrique, un incendie ou des blessures graves.

Les définitions ci-dessous décrivent le niveau de gravité pour chaque terme signalant un danger. Veuillez lire le mode d'emploi et regarder la signification de ces symboles	
	C'est le symbole d'alerte relatif à la sécurité. Il est utilisé pour vous avertir de l'existence possible d'un danger de lésion corporelle. Obéissez à tous les messages relatifs à la sécurité qui suivent ce symbole pour éviter tout risque de blessure ou même de mort.
	DANGER indique une situation dangereuse qui, si elle n'est pas évitée, causera la mort d'une personne ou une blessure grave.
	AVERTISSEMENT indique une situation dangereuse qui, si elle n'est pas évitée, pourrait causer la mort d'une personne ou une blessure grave.
	MISE EN GARDE, conjointement avec le symbole d'alerte en liaison avec la sécurité, indique une situation dangereuse qui, si elle n'est pas évitée, causera une blessure légère ou modérée.

MESSAGES D'INFORMATION ET DE PRÉVENTION DES DOMMAGES


Ils informent l'utilisateur d'informations et/ou d'instructions importantes qui pourraient entraîner des dommages matériels ou aux équipements s'ils ne sont pas suivis. Chaque message est précédé par le terme « **AVIS** », comme dans l'exemple ci-dessous :

AVIS : Un dommage matériel et/ou aux équipements peut survenir si ces instructions ne sont pas suivies.

CONSIGNES DE SÉCURITÉ

Cette page illustre et décrit les symboles de sécurité qui peuvent être présents sur ce produit. Vous devez lire, comprendre et suivre toutes les instructions présentes sur l'appareil avant d'entamer son assemblage ou sa manipulation.

	Mise En Garde	Indique un risque de blessure.
	Assurez-vous de lire et de comprendre le guide d'utilisation	Afin de réduire les risques de blessure, l'utilisateur doit lire et comprendre le guide d'utilisation avant d'utiliser ce produit.
	Lunettes de sécurité	Lorsque vous utilisez ce produit, portez toujours des lunettes de protection ou de sécurité à écrans latéraux et un masque de protection complet.
	Danger : garder les mains éloignées des lames	Tout contact avec les lames occasionnera des blessures graves.
	Symbole de recyclage	Le produit fonctionne à l'aide de piles au lithium-ion (Li-Ion). La législation locale, provinciale ou fédérale peut interdire la mise au rebut des piles dans les ordures ménagères. Consultez l'organisme local de gestion des déchets au sujet des possibilités offertes en ce qui concerne la mise au rebut ou le recyclage.
IP...	Indice de protection	Classifie le degré de protection fourni par une enceinte pour le matériel électrique.
V	Volt	Tension
mm	Millimètre	Longueur ou taille

in.	Pouce	Longueur ou taille
	Courant continu	Type de courant ou caractéristique de courant
n_0	Vitesse à vide	Vitesse de rotation à vide
SPM	Coups à la minute	Cadence à vide
kg	Kilogramme	Poids
lb	Livre	Poids

AVERTISSEMENTS DE SÉCURITÉ GÉNÉRAUX POUR LES MACHINES

AVERTISSEMENT! Lisez tous les avertissements, instructions, illustrations et spécifications fournis avec cette machine. Le non-respect des consignes de sécurité ci-dessous peut occasionner un choc électrique, un incendie ou des blessures graves.

Conservez tous les avertissements et toutes les instructions afin de pouvoir les consulter ultérieurement.

Le terme « machine » dans un avertissement désigne votre machine (avec cordon) alimentée par le secteur ou votre machine (sans fil) alimentée par un bloc-pile.

SÉCURITÉ DE L'AIRE DE TRAVAIL

- **Maintenez l'aire de travail propre et bien éclairée.** Les aires de travail sombres et encombrées sont propices aux accidents.
- **N'utilisez pas de machines dans un milieu explosif, par exemple où il y a présence de liquides, de vapeurs ou de poussières inflammables.** Les machines produisent des étincelles susceptibles d'enflammer ces poussières ou ces vapeurs.
- **Gardez les enfants et les autres personnes à l'écart lorsque vous utilisez une machine.** Une distraction peut vous faire perdre la maîtrise de la machine.

SÉCURITÉ ÉLECTRIQUE

- **Les fiches des machines doivent correspondre à la prise. Ne modifiez jamais la fiche de quelque façon que ce soit. N'utilisez pas d'adaptateur avec les machines mises à la terre.** L'utilisation de fiches non modifiées dans les prises compatibles réduit les risques de décharge électrique
- **Évitez de toucher à des surfaces mises à la terre, par exemple, un tuyau, un radiateur, une cuisinière ou un réfrigérateur.** Le contact du corps avec une surface mise à la terre augmente les risques de décharge électrique.
- **N'exposez pas la machine à la pluie ou à un environnement humide.** La pénétration d'eau dans la machine peut augmenter le risque de choc électrique ou de dysfonctionnement pouvant entraîner des blessures corporelles.
- **N'utilisez pas le cordon d'alimentation de façon à l'endommager. Ne transportez jamais une machine en la tenant par son cordon, et ne tirez jamais sur le cordon pour la débrancher.** Tenez le cordon d'alimentation éloigné des sources de chaleur, de l'huile, des objets coupants et des pièces mobiles. Un cordon endommagé ou emmêlé augmente les risques de décharge électrique.

- **Lorsque vous utilisez une machine à l'extérieur, utilisez une rallonge adaptée à usage à l'extérieur.** L'utilisation d'une rallonge adaptée à l'extérieur réduit les risques de décharge électrique
- **S'il est impossible d'éviter d'utiliser une machine dans un endroit humide, utilisez une alimentation protégée par un disjoncteur différentiel.** L'utilisation d'un disjoncteur différentiel réduit les risques de décharge électrique.

SÉCURITÉ PERSONNELLE

- **Soyez vigilant, prêtez attention à ce que vous faites et usez de votre jugement lorsque vous utilisez une machine. N'utilisez pas une machine lorsque vous êtes fatigué ou sous l'effet de drogues, d'alcool ou de médicaments.** Un moment d'inattention pendant que vous utilisez des machines peut occasionner des blessures graves.
- **Utilisez un équipement de protection. Portez toujours un équipement de protection oculaire.** Le port d'un équipement de protection (comme un masque antipoussières, des chaussures de protection antidérapantes, un casque de sécurité ou un dispositif de protection auriculaire) dans les conditions adéquates permet de réduire les risques de blessure
- **Prenez des mesures afin d'éviter que la machine se mette en marche accidentellement. Assurez-vous que l'interrupteur est sur la position d'arrêt avant de brancher la machine sur un bloc-piles, de la ramasser ou de la transporter.** Le fait de transporter les machines avec le doigt sur l'interrupteur ou brancher les machines lorsque l'interrupteur est en position de marche augmente les risques d'accident.
- **Retirez toutes les clés de réglage de la machine avant de la mettre en marche.** Une clé de réglage oubliée sur une pièce mobile de la machine peut entraîner des blessures.
- **Ne vous étirez pas pour étendre votre portée. Gardez une posture sécuritaire et un bon équilibre en tout temps.** Cela permet de mieux contrôler la machine dans des situations inattendues.
- **Habillez-vous convenablement. Ne portez pas de vêtements amples ni de bijoux. Gardez vos cheveux et vos vêtements loin des pièces mobiles.** Les vêtements amples, les bijoux et les cheveux longs risquent de se prendre dans les pièces en mouvement.

- **Si un dispositif permet de raccorder un dépoussiéreur, assurez-vous que celui-ci est branché et utilisé de manière appropriée.** L'emploi d'un dépoussiéreur contribue à réduire les dangers liés à la poussière.
- **Même si vous connaissez parfaitement ces machines parce que vous les utilisez souvent, soyez vigilant et respectez les principes de sécurité.** Il suffit d'être négligent une fraction de seconde pour se blesser gravement.

UTILISATION ET ENTRETIEN DE LA MACHINE

- **Ne forcez pas la machine. Utilisez la machine appropriée pour la tâche que vous souhaitez accomplir.** L'utilisation de la machine appropriée permet d'obtenir de meilleurs résultats, de façon plus sécuritaire, selon le régime de fonctionnement prévu.
- **N'utilisez pas la machine si l'interrupteur ne fonctionne pas.** Toute machine qui ne peut être commandée au moyen de l'interrupteur est dangereuse et doit être réparée.
- **Déconnectez la prise de la source d'alimentation ou la machine du bloc-pile avant de la ranger ou de procéder à un ajustement ou à un changement d'accessoire.** Ces mesures de sécurité préventives réduisent les risques de mettre accidentellement la machine en marche.
- **Rangez la machine à l'arrêt hors de la portée des enfants et n'autorisez pas une personne ne sachant pas s'en servir ou n'ayant pas lu ces instructions à l'utiliser.** Les machines sont dangereuses si elles se trouvent entre les mains d'utilisateurs qui ne savent pas s'en servir.
- **Entretenez les machines et les accessoires. Vérifiez les pièces mobiles pour vous assurer qu'elles ne sont pas désalignées, enrayées, brisées, ou dans un état qui pourrait nuire à leur fonctionnement. Si la machine est endommagée, faites-la réparer avant de l'utiliser.** De nombreux accidents sont provoqués par des machines et des accessoires mal entretenus.
- **Gardez vos machines tranchantes affûtées et propres.** Des machines tranchantes bien entretenues et dont les lames sont affûtées risquent moins de se bloquer et sont plus faciles à maîtriser.
- **Utilisez la machine, les accessoires, les embouts ou autres conformément aux instructions, en tenant compte des conditions de travail et du travail à effectuer.** L'utilisation de la machine à des fins autres que celles auxquelles elle est destinée pourrait entraîner une situation dangereuse.

- **Les poignées et autres surfaces de préhension doivent toujours être sèches, propres et exemptes d'huile ou de graisse.** Les poignées et autres surfaces de préhension glissantes peuvent entraîner une manipulation non sécuritaire ou une perte de contrôle de la machine.

UTILISATION ET ENTRETIEN DU BLOC-PILES DE LA MACHINE

- **Rechargez uniquement le bloc-piles à l'aide du chargeur approuvé par le fabricant.** Un chargeur conçu pour un type de bloc-piles peut causer un incendie s'il est utilisé avec un autre bloc-piles.
- **Utilisez les machines uniquement avec les blocs-piles désignés.** L'utilisation de tout autre bloc-piles peut constituer un risque de blessure et d'incendie.
- **Lorsque vous n'utilisez pas le bloc-piles, conservez-le à l'écart d'autres objets métalliques, comme des trombones, des pièces de monnaie, des clés, des clous, des vis et d'autres petits objets métalliques qui peuvent connecter une borne à une autre.** Un court-circuit entre les bornes du bloc-piles peut occasionner des brûlures ou un incendie.
- **Dans de mauvaises conditions, un liquide peut être éjecté du bloc-piles; évitez tout contact avec celui-ci. En cas de contact accidentel, rincez à grande eau.** Si vos yeux entrent en contact avec ce liquide, consultez un médecin. Le liquide provenant des piles peut causer de l'irritation ou des brûlures.
- **N'utilisez pas un bloc-piles ou une machine endommagé ou modifié.** Les blocs-piles modifiés ou endommagés peuvent fonctionner de façon imprévisible et présenter un risque d'incendie, d'explosion ou de blessures.
- **N'exposez pas un bloc-piles ou une machine à un feu ou à une température excessive.** L'exposition au feu ou à une température supérieure à 265 °F (130 °C) peut provoquer une explosion.
- **Suivez toutes les instructions pour le chargement et ne chargez pas le bloc-piles ou la machine en dehors de la plage de température précisée dans les instructions.** Une recharge inadéquate ou effectuée à des températures en dehors de la plage précisée peut endommager le bloc-piles et augmenter le risque d'incendie.

ENTRETIEN

- **Demandez à un technicien qualifié qui utilise seulement des pièces de rechange identiques aux pièces d'origine d'effectuer l'entretien de votre machine.** Vous vous assurerez ainsi que la machine demeure sécuritaire.

- **Ne réparez jamais un bloc-piles endommagé.** Seuls le fabricant et les fournisseurs de services autorisés peuvent effectuer la réparation d'un bloc-piles.

AVERTISSEMENTS RELATIFS À LA SÉCURITÉ POUR LE TAILLE-HAIE

- **Gardez toutes les parties de votre corps à une distance suffisante de la lame. Ne tentez pas de retirer des matériaux coupés ou de tenir des matériaux à couper pendant que les lames sont en mouvement.** Les lames continuent à tourner pendant un certain temps après que vous avez appuyé sur l'interrupteur pour arrêter la scie. Un simple moment d'inattention pendant que vous utilisez ce taille-haie pourrait causer une blessure grave.
- **Portez le taille-haie par la poignée après vous être assuré(e) que la lame s'est arrêtée et en faisant attention de ne pas actionner l'interrupteur.** Le fait de porter le taille-haie de façon appropriée réduira le risque de démarrage accidentel et de blessures pouvant être causées par le mouvement des lames en conséquence.
- **Lorsque vous transportez ou rangez le taille-haie, installez toujours le protège-lame.** Le fait de manipuler le taille-haie de façon appropriée réduira le risque de blessures pouvant être causées par les lames.
- **Lorsque vous retirez des déchets coincés ou lorsque vous effectuez une opération de maintenance de l'équipement, assurez-vous que tous les interrupteurs sont en position d'arrêt et que le bloc-piles a été retiré ou déconnecté.** Une mise en marche inattendue du taille-haie pendant que l'opérateur s'efforce d'en retirer des déchets coincés ou d'effectuer une opération d'entretien pourrait causer une blessure grave.
- **Tenez seulement le taille-haie par ses surfaces de préhension isolées, parce que la lame pourrait entrer en contact avec des fils sous tension dissimulés.** L'entrée en contact des lames avec un fil sous tension pourrait rendre conductrices des parties en métal exposées du taille-haie et causer un choc électrique à l'opérateur.
- **Gardez tous les câbles et cordons d'alimentation à distance de la zone de coupe.** Des câbles ou cordons d'alimentation peuvent être cachés dans des haies ou sous des arbustes, et ils pourraient être coupés accidentellement par la lame.
- **N'utilisez pas le taille-haie si le temps est mauvais, en particulier s'il existe un risque de foudre.** Ceci réduit le risque d'être frappé par la foudre.
- **Utilisez seulement le taille-haie au niveau du sol.** Ne l'utilisez pas sur une échelle ou tout autre support instable.
- **Assurez-vous que la poignée arrière est en position verrouillée avant de commencer à utiliser le taille-haie.**

CONSIGNES DE SÉCURITÉ IMPORTANTES

- Ne rechargez pas le bloc-pile sous la pluie ni dans un endroit humide.
- Utilisez le produit uniquement avec les blocs-piles et les chargeurs indiqués ci-dessous :

BLOC-PILE	CHARGEUR
BA1400, BA1400-FC, BA2800, BA2800-FC, BA4200, BA4200-FC, BA1400T, BA1400T-FC, BA2242T, BA2242T-FC, BA2800T, BA2800T-FC, BA3360T, BA3360T-FC, BA4200T, BA4200T-FC, BA4480T, BA4480T-FC, BA5600T, BA5600T-FC, BA6720T, BA6720T-FC	CH2100, CH2100-FC, CH3200, CH3200-FC, CH5500, CH5500-FC, CH2800D, CH2800D-FC, CH7000, CH7000-FC

- Lorsque vous ramassez ou tenez le taille-haie, ne saisissez pas les lames de découpe ni les bords coupants exposés.
- N'utilisez pas ce produit alors que vous êtes sur une échelle, sur un toit, dans un arbre ou sur tout autre support instable. Des appuis et une surface stables permettent de mieux contrôler le taille-haie dans des situations inattendues.
- Ne laissez jamais des enfants utiliser le taille-haie.
- Ne touchez jamais les dispositifs de sécurité et ne les enlevez pas. Vérifiez régulièrement qu'ils fonctionnent correctement. Ne faites jamais quoi que ce soit qui puisse interférer avec la fonction prévue d'un dispositif de sécurité ou qui réduirait la protection offerte par un dispositif de sécurité.
- N'utilisez jamais le taille-haie sans les protecteurs, les plaques et les autres dispositifs de sécurité adéquats en place.
- Avant d'utiliser le taille-haie, vérifiez s'il y a des pièces endommagées. Le cas échéant, vérifiez attentivement les pièces endommagées pour déterminer si elles peuvent fonctionner correctement et être utilisées normalement. Vérifiez l'alignement des pièces mobiles et leur fixation ainsi que l'état et l'assemblage des pièces, et recherchez tout autre problème pouvant nuire au fonctionnement de l'appareil. Si une pièce est endommagée, elle doit être réparée correctement ou remplacée par un centre de service autorisé, à moins d'indications contraires dans le présent guide.

- Vérifiez fréquemment que les boulons de fixation du moteur et les lames sont correctement serrés. En outre, inspectez visuellement les lames pour vérifier qu'elles ne sont pas endommagées (par exemple tordues, craquelées ou usées). Remplacez les lames uniquement par des lames du fabricant d'origine de l'équipement.
- Remplacez les lames si elles sont tordues ou craquelées. Une lame déséquilibrée occasionne des vibrations qui pourraient endommager le moteur ou causer des blessures.
- Si l'outil venait à vibrer de manière anormale, arrêtez le moteur et trouvez immédiatement la cause des vibrations. Les vibrations indiquent généralement un problème.
- Le taille-haie doit être utilisé pour couper des tiges de moins de 1,2 in. (30,5 mm) d'épaisseur.
- Utilisez le taille-haie uniquement durant le jour ou avec un bon éclairage artificiel.
- Enlevez ou déconnectez la batterie avant de procéder à l'entretien ou au nettoyage du taille-haie ou d'en retirer du matériel.
- Ne nettoyez pas l'outil avec un jet d'eau, car de l'eau pourrait s'infiltrer dans le moteur et les connexions électriques.
- Lorsque vous procédez à l'entretien de l'article, utilisez uniquement des pièces de rechange identiques à celles indiquées dans ce guide. L'utilisation de pièces ne correspondant pas aux caractéristiques de l'équipement d'origine peut causer un fonctionnement incorrect et compromettre la sécurité.
- N'incinerez pas l'appareil, même s'il est sérieusement endommagé. Les piles risquent d'exploser si elles sont en contact avec le feu.
- N'incinerez pas cet équipement, même s'il est gravement endommagé. Les piles peuvent exploser en cas d'incendie.
- Suivez les instructions de graissage et de changement d'accessoires.
- Les poignées doivent toujours être sèches, propres et exemptes d'huile ou de graisse.
- Vérifiez les haies et les buissons pour les objets étrangers, par ex. clôtures métalliques et câblage caché avant d'utiliser la machine.
- **Conservez ces instructions.** Consultez-les régulièrement et utilisez-les pour expliquer le fonctionnement de la machine à d'autres personnes qui l'utiliseraient. Si vous prêtez la machine à une personne, prêtez-lui également ces instructions afin de prévenir un usage inapproprié du produit et des blessures potentielles.

CONSERVEZ CES INSTRUCTIONS!

INTRODUCTION


Nous vous félicitons d'avoir choisi un tout nouveau taille-haie de nouvelle génération alimenté par un bloc-pile au lithium-ion de 56 V. Cet outil a été conçu et fabriqué afin de vous offrir la meilleure fiabilité et le meilleur rendement possible.

Si vous éprouvez un problème que vous n'arrivez pas à régler facilement, veuillez communiquer avec le centre de service à la clientèle d'EGO au 1 855 EGO 5656.

Le présent guide contient des renseignements importants pour assembler, utiliser et entretenir en toute sécurité votre produit. Lisez-le soigneusement avant d'utiliser le produit. Conservez ce guide à portée de main afin de pouvoir le consulter à tout moment.

NUMÉRO DE SÉRIE _____ DATE D'ACHAT _____
NOUS VOUS RECOMMANDONS DE NOTER LE NUMÉRO DE SÉRIE ET LA DATE D'ACHAT ET DE LES CONSERVER EN LIEU SÛR AFIN DE POUVOIR LES CONSULTER ULTÉRIEUREMENT.

SPÉCIFICATIONS

Tension	56V 
Vitesse à vide	3 400 coups/min
Longueur de coupe	660mm / 26 po
Capacité de coupe	30.5mm / 1,2 po
Température de fonctionnement recommandée	0 °C – 40 °C (32 °F – 104 °F)
Température de stockage recommandée	-20° C – 70° C (-4 °F – 158 °F)
Poids (sans le bloc-piles et le dispositif de protection de la lame)	6,92 lb. (3,14 kg)
Indice de protection pour la pénétration	IPX4* (Protection contre les éclaboussures d'eau)

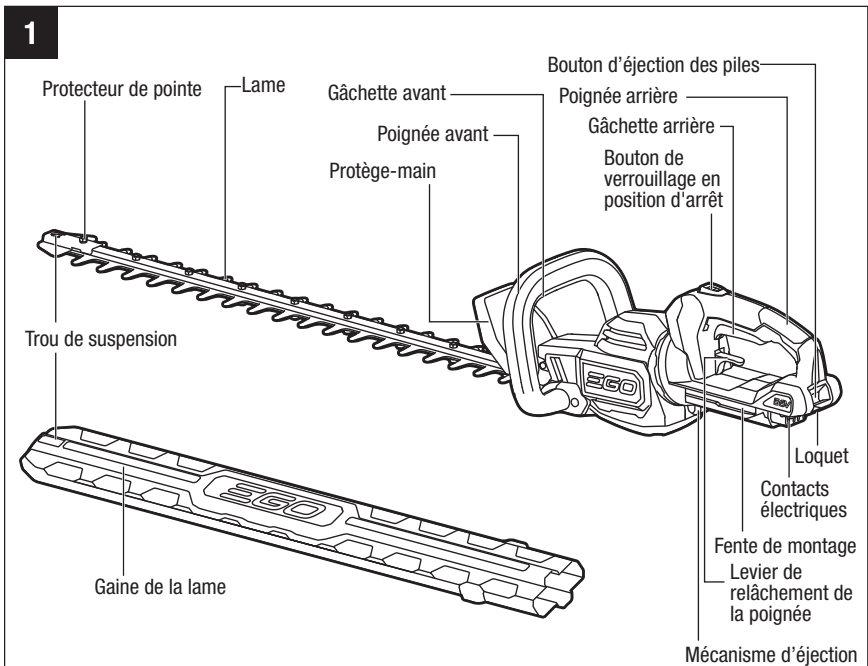
* **REMARQUE** : L'indice IPX4 est basé sur l'utilisation conjointe de la machine et du bloc-piles en tant que système.

DESCRIPCIÓN

FAMILIARISEZ-VOUS AVEC VOTRE TAILLE-HAIE (FIG. 1)

⚠ AVERTISSEMENT : Ce produit é été complètement assemblé avant l'expédition. Le protège-main ne doit jamais être retiré pendant l'utilisation. Si cet équipement est endommagé, faites-le remplacer immédiatement par un réparateur compétent.

⚠ AVERTISSEMENT : Pour que ce produit puisse être utilisé en toute sécurité, il est nécessaire de comprendre les informations figurant sur la machine et dans son mode d'emploi, et de bien maîtriser le projet que vous voulez réaliser. Avant d'utiliser ce produit, familiarisez-vous avec toutes ses fonctionnalités et les consignes de sécurité qui s'y appliquent.



Protège-main

Aide à protéger les mains de l'opérateur ; détourne les copeaux ou autres débris de l'opérateur.

Poignée avant

Pour contrôler facilement la machine.

Poignée arrière

La poignée ergonomique avec surmoulage améliore le confort et la préhension.

Bouton de verrouillage en position d'arrêt

Contribue à empêcher une activation accidentelle ou non autorisée de la gâchette. Il doit être enfoncé avant que la gâchette puisse être activée.

Gâchette avant/gâchette arrière

Le taille-haie ne peut être mis en marche que si les leviers des deux interrupteurs sur les poignées à l'avant et à l'arrière sont enfoncés en même temps.

Lames

Lames en acier durci pour couper les haies et les arbustes

Gaine de la lame

La gaine de la lame empêche l'opérateur d'entrer en contact avec les lames tranchantes lorsque la machine n'est pas utilisée. Elle aide aussi à empêcher les lames d'être ébréchées ou endommagées pendant le transport ou le rangement de la machine.

Protecteur de pointe

Protège la pointe extérieure de la lame.

Bouton d'éjection des piles

Appuyez pour détacher le bloc-piles de la machine.

Loquet

Verrouille le bloc-piles en place quand il est installé sur la machine.

Mécanisme d'éjection

Aide à détacher les piles.

Levier de relâchement de la poignée

Peut être relevé pour ajuster le pivot de la poignée arrière.

ASSEMBLAGE

⚠ AVERTISSEMENT : S'il y a des pièces manquantes ou endommagées, ne tentez pas d'utiliser l'article tant que ces pièces n'auront pas été remplacées. L'utilisation de ce produit avec des pièces endommagées ou manquantes peut causer des blessures graves.

⚠ AVERTISSEMENT : Ne tentez pas de modifier ce produit ni de créer des accessoires qui ne sont pas recommandés pour ce produit. Toute altération ou modification de ce type constitue un usage inapproprié et peut engendrer une situation dangereuse susceptible de causer des blessures graves.

⚠ AVERTISSEMENT : Pour empêcher une mise en marche accidentelle pouvant provoquer des blessures graves, enlevez toujours le bloc-pile de la machine lorsque vous assemblez des pièces, procédez à des ajustements ou à son nettoyage ou lorsque l'article n'est pas utilisé.

DÉBALLAGE

Ce produit a été expédié entièrement assemblé.

- Retirez soigneusement l'outil et toutes les pièces de l'emballage. Assurez-vous que toutes les pièces mentionnées sur la liste des pièces sont présentes.
- Inspectez soigneusement la machine pour vérifier qu'elle n'a pas été endommagée pendant l'expédition.
- Ne jetez pas le matériel d'emballage avant d'avoir inspecté soigneusement la machine et de l'avoir fait fonctionner de manière satisfaisante.
- S'il y a des pièces manquantes ou endommagées, veuillez retourner le produit à l'endroit où vous l'avez acheté.

LISTE DES PIÈCES

NOM DE PIÈCE	QUANTITÉ
Taille-haie	1
Gaine de la lame	1
Mode d'emploi	1

FONCTIONNEMENT

⚠ AVERTISSEMENT : Même si vous connaissez parfaitement ce produit, soyez vigilant. N'oubliez pas qu'une fraction de seconde d'inattention suffit à se blesser grièvement.

⚠ AVERTISSEMENT : Portez toujours des lunettes de sécurité conformes à la norme ANSI Z87.1. Sinon, vous pourriez recevoir des débris dans les yeux et vous blesser grièvement.

⚠ AVERTISSEMENT : N'utilisez pas de pièces ni d'accessoires qui ne sont pas recommandés par le fabricant de ce produit. L'utilisation de pièces ou d'accessoires non recommandés peut causer des blessures graves.

⚠ AVERTISSEMENT : Pour prévenir les blessures graves, retirez le bloc-pile de la machine avant d'en effectuer l'entretien, de le nettoyer, de changer des accessoires ou d'en retirer du matériel.

Avant chaque utilisation, inspectez l'intégralité du produit pour vérifier s'il y a des pièces endommagées, manquantes ou lâches, comme des vis, des boulons, des écrous, des capuchons, etc. Fixez fermement toutes les attaches et tous les capuchons et ne faites pas fonctionner ce produit avant que toutes les pièces manquantes ou endommagées aient été remplacées.

APPLICATION

Vous pouvez utiliser ce produit pour élaguer les haies, les arbustes et les buissons dont le diamètre des branches est inférieur à 3,05 cm / 1,2 po.

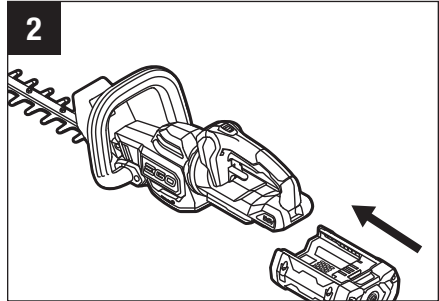
REMARQUE : La machine ne doit être utilisée qu'aux fins indiquées. Toute autre utilisation sera considérée comme une utilisation abusive.

INSTALLATION / RETRAIT DU BLOC-PILES (Fig. 2 & 3)

REMARQUE : Chargez complètement le bloc-piles avant de vous en servir pour la première fois.

Installation du bloc-piles (Fig. 2)

- Alignez les nervures du bloc-piles sur les fentes de montage des piles sur le taille-haie.
- Faites glisser le bloc-piles à l'intérieur jusqu'à ce qu'il se mette dans la position correcte (déclit).

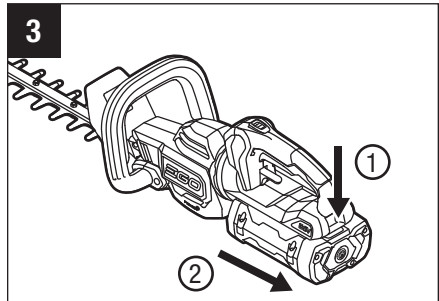


REMARQUE : Assurez-vous que le loquet sur le taille-haie est bien en place et que le bloc-piles est bien assujéti à la machine avant de commencer à l'utiliser.

Retrait du bloc-piles (Fig. 3)

⚠ AVERTISSEMENT : Contrôlez toujours la position de vos pieds et les endroits où se trouvent les enfants et les animaux domestiques avant d'appuyer sur le bouton d'éjection des piles. La chute du bloc-piles pourrait causer des blessures graves. Ne retirez JAMAIS le bloc-piles lorsque vous vous trouvez à un endroit surélevé.

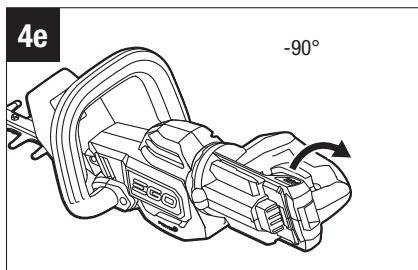
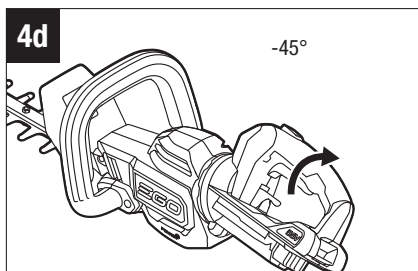
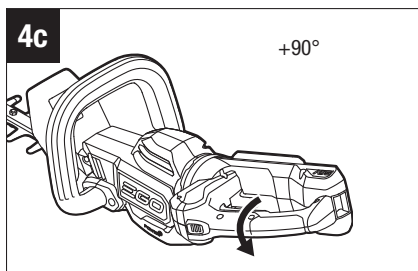
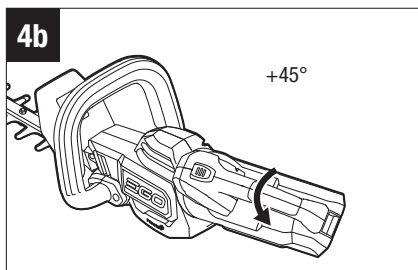
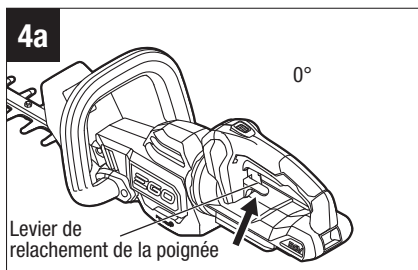
- Appuyez sur le bouton d'éjection des piles ; le bloc-piles se détachera du loquet.
- Saisissez le bloc-piles et retirez-le du taille-haie.



COMMENT TENIR LE TAILLE-HAIE

Tenez le taille-haie avec les deux mains avec la lame dirigée dans le sens opposé à vous. Une main sur la poignée avant et l'autre main sur la poignée arrière.

La poignée arrière peut être pivotée et fixée dans l'une des cinq positions suivantes : 0° (position par défaut), +45°, +90°, -45° et -90°. Ceci vous donne de nombreux choix pour une préhension confortable lorsque vous effectuez des opérations d'élagage (Fig. 4a – Fig. 4e).



Pour repositionner la poignée arrière :

1. Déconnectez le bloc-piles.
2. Soulevez le levier de libération de la poignée et commencez à faire pivoter la poignée dans la direction souhaitée.
3. Relâchez le levier de libération de la poignée et continuez à faire pivoter la poignée.
4. La poignée se verrouille automatiquement en place lorsqu'elle atteint le cran le plus proche.

⚠ AVERTISSEMENT : Ne tentez pas de faire pivoter la poignée pendant que la machine est sous tension. Arrêtez la machine et retirez-en d'abord la pile.

MISE EN MARCHÉ / ARRÊT DU TAILLE-HAIE

Avant de mettre l'outil en marche, retirez la gaine de la lame et tenez le taille-haie des deux mains, une main sur la poignée arrière et l'autre main sur la poignée avant.

⚠ AVERTISSEMENT : Gardez toujours les deux mains sur les poignées du taille-haie. Ne tenez jamais un arbuste d'une main pendant que vous tenez le taille-haie sous tension de l'autre. Si vous ne tenez pas compte de cet avertissement, vous risquez de subir une blessure grave.

MISE EN MARCHÉ DU TAILLE-HAIE

1. Installez le bloc-piles.
2. Appuyez sur la gâchette avant et maintenez-la comprimée d'une main.
3. Appuyez sur le bouton de verrouillage en position désactivée avec le pouce de votre autre main et maintenez-le enfoncé, puis appuyez sur la gâchette arrière avec vos doigts pour faire démarrer le taille-haie. Relâchez le bouton de verrouillage en position désactivée et continuez à comprimer la gâchette de l'interrupteur pour assurer un fonctionnement ininterrompu.

ARRÊT DU TAILLE-HAIE

Éloignez le taille-haie de la zone de coupe et relâchez l'une des gâchettes pour l'arrêter.

⚠ AVERTISSEMENT : Retirez toujours le bloc-piles du taille-haie pendant les pauses et après avoir fini votre travail.

UTILISATION DU TAILLE-HAIE

⚠ DANGER : Si la lame se coince sur un fil électrique, **NE TOUCHEZ PAS LA LAME ! ELLE POURRAIT ÊTRE CONDUCTRICE D'ÉLECTRICITÉ ET CECI POURRAIT CRÉER UNE SITUATION DANGEREUSE.** Continuez à tenir le taille-haie par sa poignée arrière isolée, ou posez-le sur le sol aussi loin de vous que possible en prenant toutes les précautions appropriées. Déconnectez l'alimentation électrique du fil endommagé avant de tenter de détacher la lame du fil. Si vous ne tenez pas compte de cet avertissement, vous risquez de vous blesser grièvement, ou même de mourir.

⚠ AVERTISSEMENT : S'il manque des pièces ou si des pièces sont endommagées ou cassées, ne vous servez pas de votre taille-haie avant d'avoir installé des pièces neuves pour les remplacer. Si vous ne respectez pas cette consigne, vous risqueriez de causer ou de subir des blessures graves.

⚠ AVERTISSEMENT : Pour prévenir toute blessure grave, utilisez toujours à la fois la poignée avant et la poignée arrière pour tenir le taille-haie pendant son utilisation.

⚠ AVERTISSEMENT : Pour prévenir des blessures graves, gardez toujours les mains à une distance suffisante des lames. Ne tentez pas de retirer des matériaux coupés ou de tenir des matériaux à couper pendant que les lames sont en mouvement. Assurez-vous que les lames se sont arrêtées complètement et que le bloc-piles a été retiré avant de détacher les matériaux coincés sur les lames. Ne touchez pas les bords de coupe ou les lames exposées lorsque vous ramassez ou tenez cet équipement.

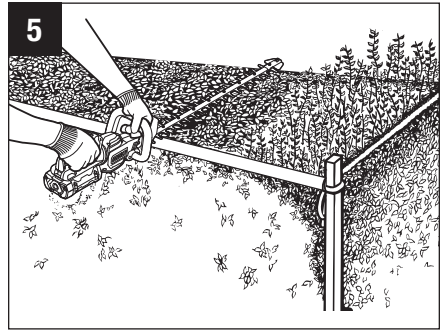
⚠ AVERTISSEMENT : Dégagez la zone à couper avant chaque utilisation. Retirez tous les objets tels que les cordons, les lampes, les fils électriques ou les ficelles/ cordes pouvant être attrapés par la lame pendant la coupe, ce qui créerait un risque de blessure grave.

- Avant de mettre le taille-haie en marche, assurez-vous que vous êtes bien équilibré(e) et stable sur vos pieds, et ne vous penchez pas excessivement vers l'avant. Portez des lunettes de sécurité, des chaussures de travail antidérapantes et des gants en caoutchouc. Tenez l'appareil des deux mains avec les lames de coupes dirigées dans le sens opposé à vous.
- Ne taillez pas trop de plantes à la fois. Ceci pourrait avoir pour effet que les lames fonctionneraient moins vite et se coinceraient, ce qui réduirait votre efficacité de coupe.

- N'exercez pas une pression excessive sur le taille-haie en essayant de couper une végétation très dense. Ceci pourrait causer le coincement des lames et leur ralentissement. Si les lames ralentissent, essayez de travailler moins vite.
- Lorsque vous coupez de la végétation qui vient de sortir de terre, utilisez un mouvement très large de telle sorte que les tiges soient exposées directement à la lame de coupe. Les plantes plus anciennes auront des tiges plus épaisses, et il sera plus facile de les couper par un mouvement de va-et-vient.
- Coupez seulement des tiges ou des brindilles ayant un diamètre inférieur à 30,5 mm / 1,2 po. Utilisez une scie à main non électrique ou une scie à élaguer pour couper les tiges de diamètre supérieur.

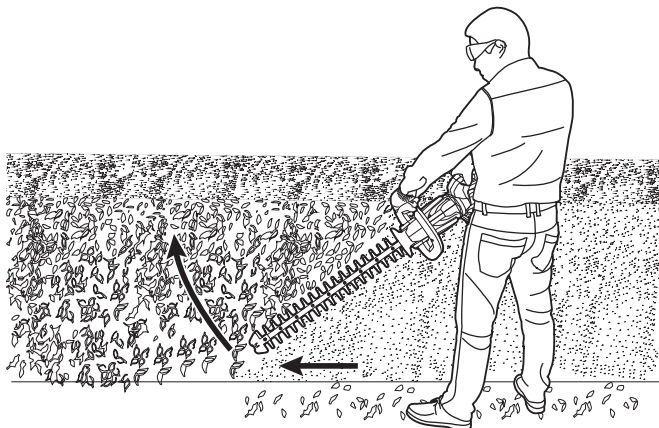
TAILLE DU HAUT DE LA HAIE

Utilisez un large mouvement de balayage. Une légère inclinaison vers le bas des lames de coupe dans le sens du mouvement produit les meilleurs résultats de coupe. Pour produire un meilleur effet de coupe, vous pouvez utiliser le cordon pour guider le niveau du taille-haie (Fig. 5).



TAILLE DES CÔTÉS DE LA HAIE

Lorsque vous voulez tailler les côtés de la haie, commencez par le bas et remontez progressivement (Fig. 6). Élarguez le côté d'une haie de telle sorte qu'elle soit légèrement plus étroite en haut. Cette forme exposera une surface supérieure de la haie au soleil, ce qui permettra une croissance plus uniforme.

6

ENTRETIEN

⚠ AVERTISSEMENT : Lorsque vous procédez à l'entretien de l'outil, utilisez uniquement des pièces de remplacement identiques à celles d'origine. L'utilisation de toute autre pièce peut constituer un danger ou endommager le produit. Pour assurer la sécurité et la fiabilité de l'appareil, toutes les réparations doivent être effectuées par un technicien en entretien et en réparation qualifié.

⚠ AVERTISSEMENT : Pour éviter des blessures graves, retirez toujours le bloc-pile avant de procéder à l'entretien ou au nettoyage de l'outil.

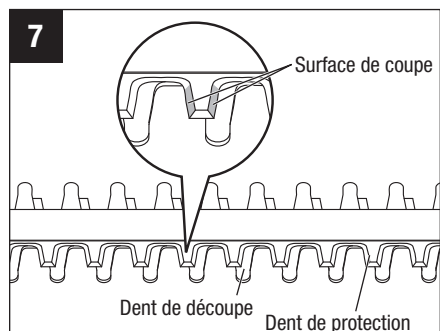
NETTOYAGE

- Utilisez une brosse souple pour retirer les débris de tous les événements d'aération et de la lame de coupe.
- Pour retirer de la poix et d'autres résidus collants, vaporisez du solvant à la résine sur les lames. Faites fonctionner brièvement le moteur pour que le solvant soit distribué uniformément, puis essuyez la surface avec un chiffon sec.

⚠ AVERTISSEMENT : N'utilisez jamais d'eau pour nettoyer votre taille-haie. Évitez d'utiliser des solvants lorsque vous nettoyez des pièces en plastique. La plupart des plastiques sont susceptibles d'être endommagés par divers types de solvants commerciaux. Utilisez des chiffons propres pour retirer les saletés, la poussière, l'huile, la graisse, etc.

AFFÛTAGE DES LAMES DE DÉCOUPE

1. Démarrez et arrêtez le taille-haie jusqu'à ce que les dents de découpe et les dents de protection soient légèrement décalées, comme sur la Fig. 7. Cela permet d'avoir l'espace nécessaire pour laisser passer la lime entre les dents de découpe et les dents de protection.



2. Enlevez le bloc-pile de votre taille-haie.

3. Fixez les lames dans un étau et limez la surface de découpe exposée de chaque dent. Enlevez aussi peu de matière que possible. Veillez à conserver l'angle d'origine de chaque dent.
4. Enlevez le taille-haie de l'étau, démarrez et arrêtez-le de façon à exposer les parties non affûtées des dents de découpe.
5. Enlevez le bloc-pile et répétez la procédure d'affûtage ci-dessus.

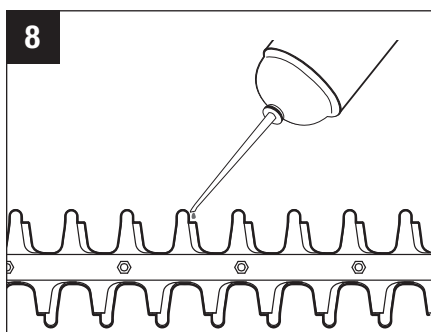
REMARQUE : N'utilisez pas le taille-haie si les lames sont endommagées ou émoussées. Cela peut engendrer une surcharge et donner des résultats de découpe insatisfaisants.

LUBRIFICATION DES LAMES (Fig. 8)

Pour permettre le meilleur fonctionnement possible, ainsi que pour prolonger la durée de vie de la lame, lubrifiez la lame du taille-haie avec de l'huile légère pour machines avant et après chaque emploi.

1. Détachez le bloc-piles du taille-haie.

2. Posez le taille-haie sur une surface plate. Appliquez de l'huile légère pour machines le long du bord de la lame du haut.



- Si vous comptez utiliser le taille-haie pendant une période prolongée, il est conseillé de faire une pause de temps en temps, de retirer le bloc-piles et de lubrifier les lames.

Si les lames supérieures sont complètement alignées sur les lames inférieures, démarrez le taille-haie, puis arrêtez-le pour décaler les lames avant la lubrification.

⚠ AVERTISSEMENT : Ne lubrifiez pas pendant que le taille-haie est en train de fonctionner.

⚠ AVERTISSEMENT : Les lames sont tranchantes. Lorsque vous manipulez l'ensemble de lames, portez des gants de protection robustes et antidérapants. Ne placez pas votre main ou vos doigts entre des lames ou à n'importe quel endroit où ils pourraient être pincés ou coupés. Ne touchez JAMAIS des lames et n'effectuez aucune opération d'entretien alors que le bloc-piles est à sa place dans le taille-haie.

TRANSPORT ET ENTREPOSAGE

- Placez toujours le gaine de la lame sur la lame avant de ranger ou de transporter le taille-haie. Soyez prudent et évitez les dents tranchantes des lames.
- Nettoyez le taille-haie en profondeur avant de le ranger.
- Rangez le taille-haie à l'intérieur, dans un endroit sec auquel les enfants n'ont pas accès.
- Rangez-le à l'écart des agents corrosifs, comme des produits chimiques de jardinage ou des sels fondants.

⚠ AVERTISSEMENT : Les lames sont tranchantes. Lorsque vous manipulez les lames, portez des gants de protection résistants et antidérapants. Ne placez ni vos mains ni vos doigts entre les lames ou dans une position où ils pourraient être pincés ou coupés. Ne touchez JAMAIS les lames et ne procédez JAMAIS à l'entretien de l'outil sans avoir enlevé le bloc-pile au préalable.

DÉPANNAGE

PROBLÈME	CAUSE	SOLUTION
Le taille-haie ne fonctionne pas.	<ul style="list-style-type: none">■ Le bloc-piles n'est pas attaché au taille-haie.■ Il n'y a pas de contact électrique entre le taille-haie et le bloc-piles.■ Les piles du bloc-piles sont déchargées.■ Le bloc-piles ou le taille-haie est trop chaud. ■ Les gâchettes à l'avant et à l'arrière ne sont pas enfoncées en même temps. ■ La lame est coincée.	<ul style="list-style-type: none">■ Attachez le bloc-piles au taille-haie. ■ Retirez les piles, inspectez les contacts et réinstallez le bloc-piles. ■ Chargez le bloc-piles. ■ Retirez le bloc-piles du taille-haie et attendez que les piles ou le taille-haie refroidissent pour que leur température tombe en dessous de 67° C / 152° F. ■ Appuyez d'abord sur le bouton de verrouillage en position d'arrêt, puis appuyez en même temps sur les gâchettes des interrupteurs des poignées avant et arrière. ■ Retirez le bloc-piles de la machine, retirez délicatement l'obstruction et réinsérez les piles, puis redémarrez la machine.

PROBLÈME	CAUSE	SOLUTION
Vibration et bruit excessifs.	<ul style="list-style-type: none">■ Les lames sont sèches ou corrodées.■ Les lames ou le support des lames sont tordus.■ Les dents sont tordues ou endommagées.■ Les boulons des lames sont laches.	<ul style="list-style-type: none">■ Lubrifiez les lames en suivant les instructions figurant sous la rubrique « LUBRIFICATION DE LA LAME » de ce mode d'emploi.■ Remplacez par une nouvelle lame ou un nouveau support. Contactez le centre de service après-vente EGO pour obtenir une nouvelle lame ou un service de remplacement des lames.■ Remplacez par une lame neuve. Contactez le centre de service après-vente EGO pour obtenir un service de remplacement de lame.■ Serrez les boulons de fixation de la lame. Utilisez une clé ajustable et une clé hexagonale de 3 mm/4 mm (non incluse) pour serrer les boulons de fixation de la lame dans le sens des aiguilles d'une montre.

GARANTIE LIMITÉE D'EGO

CONDITIONS ET DURÉE DE LA POLITIQUE DE GARANTIE

Chervon North America, Inc. (« Chervon North America ») accorde la Garantie limitée suivante pour les produits EGO à l'acheteur initial de produits EGO.

La période de garantie détaillée de chaque produit EGO est indiquée en ligne à l'adresse <http://egopowerplus.com/warranty-policy>.

Veillez contacter le Service à la clientèle d'EGO en téléphonant au 1-855-EGO-5656 (appel gratuit) à tout moment en cas de questions, si vous voulez vous prévaloir de la garantie ou si vous souhaitez obtenir une version sur papier de la garantie.

GARANTIE LIMITÉE DE SERVICE APRÈS-VENTE

Les produits EGO sont garantis contre tout défaut de matériel ou de fabrication à partir de la date d'achat au détail originale et pendant la période de garantie applicable. Pour toute demande de garantie soumise correctement et dans les délais, si Chervon North America détermine qu'un produit est défectueux pendant la période de garantie, le produit sera réparé ou remplacé gratuitement, selon ce qui aura été déterminé par Chervon North America.

COMMENT OBTENIR DE L'ASSISTANCE DANS LE CADRE DU SERVICE APRÈS-VENTE

Pour obtenir de l'assistance dans le cadre de la garantie (pendant la période de garantie applicable), veuillez contacter le service à la clientèle d'EGO en téléphonant au **1-855-EGO-5656** (appel gratuit). Lorsque vous demandez de l'assistance dans le cadre de la garantie, vous devez présenter le reçu de vente original daté. Un centre de service après-vente agréé sera sélectionné pour évaluer et réparer le produit défectueux conformément aux conditions de garantie énoncées. Lorsque vous apportez votre produit au centre de service après-vente agréé, il se peut qu'une petite caution vous soit demandée lors du dépôt de votre outil. Cette caution est remboursable lorsque le service de réparation est considéré comme étant couvert par la garantie.

LIMITATIONS ET EXCLUSIONS SUPPLÉMENTAIRES

Cette garantie limitée ne s'applique qu'à l'acheteur initial d'un produit à un revendeur agréé EGO, et elle ne peut pas être cédée. Les produits EGO ne sont pas considérés comme défectueux et la présente garantie ne s'applique pas lorsque le défaut invoqué est imputable à une cause autre que les défauts définis ci-dessus. Cette garantie est nulle et non avenue si le produit a été utilisé à des fins de location. La présente garantie ne s'applique pas aux dommages causés par un accident, un abus, une

mauvaise utilisation, une altération, une modification, une réparation non autorisée, un contact avec un liquide, un incendie, un tremblement de terre ou toute autre cause externe ; par une utilisation du produit en dehors des instructions, spécifications ou directives d'EGO ; ou par un manquement à l'entretien ou à la maintenance convenable du produit. Cette garantie ne s'applique pas non plus aux dommages esthétiques, y compris, mais sans s'y limiter, les rayures ou les bosses, ainsi qu'aux défauts causés par l'usure normale ou autrement dus au vieillissement normal du produit.

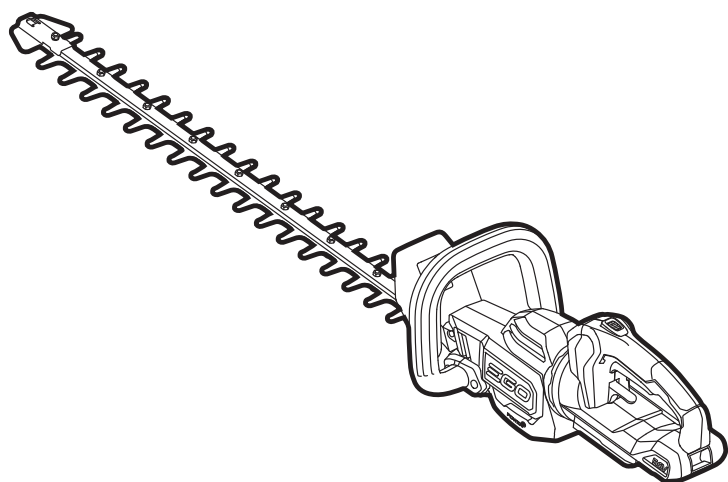
CETTE GARANTIE EXPRESSE EST DONNÉE EN LIEU ET PLACE DE TOUTE AUTRE GARANTIE, EXPRESSE OU IMPLICITE, Y COMPRIS, MAIS SANS S'Y LIMITER, TOUTE GARANTIE DE QUALITÉ MARCHANDE OU D'ADÉQUATION À UN USAGE PARTICULIER, QUI EST REJETÉE. Toute garantie implicite, y compris la garantie de qualité marchande ou d'adéquation à un usage particulier qui ne peut être rejetée en vertu de la loi de l'État ou de la province est limitée à la période de garantie applicable définie au début de cet article. Le seul et unique recours en rapport avec l'achat, l'installation, l'utilisation et/ou la performance des produits EGO est la réparation ou le remplacement du produit selon la décision de Chervon North America. La responsabilité maximale de Chervon North America ne dépassera en aucun cas le prix d'achat payé pour le produit. CHERVON NORTH AMERICA NE SERA PAS RESPONSABLE ENVERS L'UTILISATEUR OU TOUTE AUTRE PERSONNE DES DOMMAGES CONSÉCUTIFS, ACCIDENTELS, SPÉCIAUX, EXEMPLAIRES, INDIRECTS OU PUNITIFS RÉSULTANT DE L'UTILISATION DES PRODUITS, Y COMPRIS, MAIS SANS S'Y LIMITER, LES PRÉJUDICES CORPORELS, LA MORT, LES DOMMAGES MATÉRIELS, LA PERTE DE BÉNÉFICES OU TOUT AUTRE DOMMAGE ÉCONOMIQUE. Cette garantie vous confère des garanties juridiques particulières, et vous pouvez aussi avoir d'autres droits, qui varient selon l'État ou la province. Étant donné que certains États et certaines provinces ne permettent pas de limitations quant à la durée d'une garantie implicite ou ne permettent pas l'exclusion ou la limitation des dommages indirects ou secondaires, ou le délai de prescription pour intenter certaines actions, il est possible que les limitations contenues aux présentes ne s'appliquent pas à consommateurs dans ces États ou provinces.

Cette garantie est soumise au droit du Michigan et doit être interprétée conformément au droit du Michigan sans tenir compte des principes de conflits de lois. Aucune action en justice ne pourra être intentée contre Chervon North America si elle n'est pas déposée dans un délai d'un (1) an après que le fondement de cette action en justice aura été connu, ou qu'il aurait dû l'être si une diligence raisonnable avait été exercée. Toute action non intentée dans les délais est réputée abandonnée.

Pour le service à la clientèle, contactez-nous en téléphonant au numéro suivant (appel gratuit) : **1-855-EGO-5656** ou **EGOPOWERPLUS.COM**.
EGO Customer Service,
769 Seward Ave. NW, Suite 102,
Grand Rapids, Michigan 49504.

EGO™

POWER⁺ HEDGE TRIMMER



MANUAL DE FUNCIONAMIENTO

ORILLADORA DE ARBUSTOS INALÁMBRICA DE ION LITIO DE 56 V

MODELO NÚMERO HT2600/HT2600-FC

⚠ ADVERTENCIA: para reducir el riesgo de lesiones, el usuario debe leer y comprender el Manual del usuario antes de usar este producto. Guarde estas instrucciones para consultarlas en el futuro.

ÍNDICE

Símbolos de seguridad	66
Instrucciones de seguridad	67-76
Introducción	76
Especificaciones	77
Descripción	78-80
Ensamblaje	81
Lista de empaque	81
Funcionamiento	82-88
Mantenimiento	89-91
Solución de problemas	92-93
Garantía	94-96

¡LEA TODAS LAS INSTRUCCIONES!



LEA Y COMPRENDA
EL MANUAL DEL OPERADOR

⚠ ADVERTENCIA: El taladrado, el aserrado, el lijado o el maquinado de productos de madera puede exponerlo a usted a polvo de madera, una sustancia que el Estado de California sabe que causa cáncer. Evite inhalar el polvo de madera o utilice una máscara antipolvo u otras salvaguardas de protección personal. Para obtener más información, visite www.P65Warnings.ca.gov/wood.

⚠ ADVERTENCIA: Cierta polvo generado por las operaciones de lijado, aserrado, amolado y taladrado con herramientas eléctricas, así como por otras actividades de construcción, contiene sustancias químicas que el estado de California sabe que causan cáncer, defectos de nacimiento u otros daños sobre la reproducción. Algunos ejemplos de estas sustancias químicas son:

- Plomo procedente de pinturas a base de plomo
- Sílice cristalina procedente de ladrillos, cemento y otros productos de mampostería
- Arsénico y cromo procedentes de madera de construcción tratada químicamente





El riesgo para usted por causa de estas exposiciones varía, dependiendo de qué tan a menudo realice este tipo de trabajo. Para reducir su exposición a estas sustancias químicas:

- Trabaje en un área bien ventilada.
- Trabaje con equipo de seguridad aprobado, tal como máscaras antipolvo que estén diseñadas especialmente para filtrar las partículas microscópicas.
- Evite el contacto prolongado con el polvo procedente de las operaciones de lijado, aserrado, amolado y taladrado con herramientas eléctricas, así como de otras actividades de construcción. Use ropa protectora y lave las áreas expuestas del cuerpo con agua y jabón. Si deja que le entre polvo en la boca o en los ojos, o que le quede polvo en la piel, es posible que se promueva la absorción de sustancias químicas perjudiciales.

SÍMBOLOS DE SEGURIDAD

Estos símbolos de seguridad se utilizan para advertirle sobre los posibles peligros. Los símbolos de seguridad y las explicaciones que los acompañan merecen cuidadosa atención y comprensión. Por sí solos, los símbolos de advertencia no eliminan los peligros. Las instrucciones y advertencias que proporcionan no reemplazan a las medidas adecuadas de prevención de accidentes.

⚠ ADVERTENCIA: Antes de utilizar esta herramienta, asegúrese de leer y comprender todas las instrucciones de seguridad en este Manual del propietario, incluidos todos los símbolos de alerta de seguridad como **“PELIGRO”**, **“ADVERTENCIA”** y **“PRECAUCIÓN”**. No seguir todas las instrucciones que se indican a continuación podría resultar en descargas eléctricas, incendios y/o lesiones personales graves.

Las definiciones que aparecen a continuación describen el nivel de gravedad de cada palabra de aviso. Por favor, lea el manual y preste atención a estos símbolos.	
	Este es el símbolo de alerta de seguridad. Se utiliza para alertarle a usted de posibles peligros de lesiones corporales. Obedezca todos los mensajes de seguridad que sigan a este símbolo para evitar posibles lesiones o la muerte.
	PELIGRO indica una situación peligrosa que, si no se evita, causará la muerte o lesiones graves.
	ADVERTENCIA indica una situación peligrosa que, si no se evita, podría causar la muerte o lesiones graves.
	PRECAUCIÓN, utilizada con el símbolo de alerta de seguridad, indica una situación peligrosa que, si no se evita, podría causar lesiones leves o moderadas.

MENSAJES DE PREVENCIÓN DE DAÑOS E INFORMACIÓN


Estos mensajes ofrecen al usuario información y/o instrucciones importantes que, de no seguirse, podrían causar daños al equipo u otros daños materiales. Antes de cada mensaje, aparece la palabra **“AVISO”**, como en el ejemplo a continuación:

AVISO: Si no se siguen estas instrucciones se pueden producir daños al equipo y/o daños materiales.

INSTRUCCIONES DE SEGURIDAD

Esta página presenta y describe los símbolos de seguridad que pueden aparecer en este producto. Lea, comprenda y siga todas las instrucciones que figuran en la máquina antes de intentar ensamblarla y operarla.

	Precaución	Indica un peligro potencial de producir lesiones.
	Lea y comprenda el manual del operador	Para reducir el riesgo de lesiones, el usuario debe leer y comprender el Manual del usuario antes de usar este producto.
	Lentes de protección	Use siempre gafas de seguridad o anteojos con protección lateral y un protector facial al operar este producto.
	Peligro: mantenga las manos alejadas de las cuchillas	El contacto con una cuchilla provoca lesiones personales graves.
	Símbolo de reciclaje	Este producto usa baterías de iones de litio. Es posible que las leyes municipales, provinciales o nacionales prohíban desechar las baterías con los residuos comunes. Consulte a la autoridad local en materia de residuos sobre las opciones de eliminación y reciclaje disponibles.
IP...	Grado de protección de admisión	Clasifica el grado de protección proporcionada por un recinto cerrado para equipos eléctricos.
V	Voltio	Voltaje
mm	Milímetro	Largo o tamaño
in.	Pulgada	Largo o tamaño

	Corriente continua	Tipo o característica de la corriente
n_0	Velocidad sin carga	Velocidad de rotación, sin carga
SPM	Golpes por minuto	Velocidad de golpe, sin carga
kg	Kilogramo	Peso
lb	Libra	Peso

ADVERTENCIAS GENERALES DE SEGURIDAD PARA MÁQUINAS

⚠ ADVERTENCIA: lea todas las advertencias de seguridad, instrucciones, ilustraciones y especificaciones suministradas con esta máquina. Es posible que si no se siguen todas las instrucciones que se indican a continuación, el resultado sea descargas eléctricas, incendio y/o lesiones graves.

Guarde todas las advertencias e instrucciones para referencia futura.

El término “máquina” que se incluye en la advertencia se refiere a su la máquina alimentada por la red eléctrica (alámbrica) o a su máquina alimentada por baterías (inalámbrica).

SEGURIDAD EN EL ÁREA DE TRABAJO

- **Mantenga el área de trabajo limpia y bien iluminada.** Las áreas desordenadas u oscuras invitan a que se produzcan accidentes.
- **No utilice máquinas en atmósferas explosivas, tales como las existentes en presencia de líquidos, gases o polvos inflamables.** Las máquinas generan chispas, las cuales es posible que incendien el polvo o los vapores.
- **Mantenga a los niños y a los curiosos alejados mientras esté utilizando una máquina.** Las distracciones pueden hacer que usted pierda el control.

SEGURIDAD ELÉCTRICA

- **Los enchufes de las máquinas deben coincidir con el tomacorriente. No modifique nunca el enchufe de ninguna manera. No utilice enchufes adaptadores con máquinas conectadas a tierra (puesta a masa).** Los enchufes sin modificar y los tomacorrientes coincidentes reducirán el riesgo de descargas eléctricas.
- **Evite el contacto del cuerpo con superficies conectadas a tierra o puestas a masa, tales como tuberías, radiadores, estufas de cocina o refrigeradores.** Hay un mayor riesgo de descargas eléctricas si el cuerpo del operador está conectado a tierra o puesto a masa.
- **No utilice la máquina en la lluvia ni en condiciones mojadas.** Es posible que la entrada de agua en la máquina aumente el riesgo de descargas eléctricas o malfuncionamiento que podrían causar lesiones corporales.

- **No maltrate el cable. No utilice nunca el cable para transportar, jalar ni desenchufar la máquina. Mantenga el cable alejado del calor, el aceite, los bordes afilados o las piezas móviles.** Los cables dañados o enredados aumentan el riesgo de descargas eléctricas.
- **Cuando utilice una máquina a la intemperie, utilice un cable de extensión adecuado para uso a la intemperie.** La utilización de un cable adecuado para uso a la intemperie reduce el riesgo de descargas eléctricas.
- **Si es inevitable utilizar una máquina en un lugar húmedo, use una fuente de alimentación protegida por GFCI.** El uso de un GFCI reduce el riesgo de descargas eléctricas.

SEGURIDAD PERSONAL

- **Manténgase alerta, fíjese en lo que está haciendo y use el sentido común cuando utilice una máquina. No utilice una máquina mientras esté cansado o bajo la influencia de drogas, alcohol o medicamentos.** Es posible que un momento de desatención mientras se estén utilizando máquinas cause lesiones corporales graves.
- **Utilice equipo de protección personal. Use siempre protección ocular.** Los equipos de protección, tales como una máscara antipolvo, zapatos de seguridad antideslizantes, casco o protección de la audición, utilizados según lo requieran las condiciones, reducirá las lesiones corporales.
- **Prevenga los arranques accidentales. Asegúrese de que el interruptor esté en la posición de apagado antes de conectar la máquina a una fuente de alimentación y/o a un paquete de batería, levantar la máquina o transportarla.** Si se transportan máquinas con el dedo en el interruptor o si se suministra corriente a máquinas que tengan el interruptor en la posición de encendido se invita a que se produzcan accidentes.
- **Retire todas las llaves de ajuste o de tuerca antes de encender la máquina.** Es posible que una llave de tuerca o de ajuste que se deje sujeta a una pieza rotativa de la máquina cause lesiones corporales.
- **No intente alcanzar demasiado lejos. Mantenga un apoyo de los pies y un equilibrio adecuados en todo momento.** Esto le permite un mejor control de la máquina en situaciones inesperadas.

- **Vístase adecuadamente. No se ponga ropa holgada ni joyas. Mantenga el pelo y la ropa alejados de las piezas móviles.** La ropa holgada, las joyas o el pelo largo pueden quedar atrapados en las piezas móviles.
- **Si se proporcionan dispositivos para la conexión de instalaciones de extracción y recolección de polvo, asegúrese de que dichas instalaciones estén conectadas y se utilicen correctamente.** El uso de recolección de polvo puede reducir los peligros relacionados con el polvo.
- **No deje que la familiaridad obtenida con el uso frecuente de las máquinas le permita volverse complaciente e ignorar los principios de seguridad de las máquinas.** Una acción descuidada puede causar lesiones graves en una fracción de segundo.

USO Y CUIDADO DE LAS MÁQUINAS

- **No fuerce la máquina. Utilice la máquina correcta para la aplicación que vaya a realizar.** La máquina correcta realizará un trabajo mejor y de manera más segura a la capacidad nominal para la que fue diseñada.
- **No utilice la máquina si el interruptor no la enciende y apaga.** Cualquier máquina que no se pueda controlar con el interruptor es peligrosa y debe ser reparada.
- **Desconecte el enchufe de la fuente de alimentación y/o retire el paquete de batería de la máquina, si es retirable, antes de hacer cualquier ajuste, cambiar accesorios o almacenar máquinas.** Dichas medidas preventivas de seguridad reducen el riesgo de arrancar accidentalmente la máquina.
- **Almacene las máquinas inactivas fuera del alcance de los niños y no permita que las personas no familiarizadas con la máquina o estas instrucciones utilicen la máquina.** Las máquinas son peligrosas en manos de los usuarios que no hayan recibido capacitación.
- **Realice mantenimiento de las máquinas y los accesorios. Compruebe si hay desalineación o atoramiento de las piezas móviles, rotura de piezas y cualquier otra situación que pueda afectar al funcionamiento de la máquina. Si la máquina está dañada, haga que la reparen antes de utilizarla.** Muchos accidentes son causados por máquinas que reciben un mantenimiento deficiente.
- **Mantenga las máquinas de corte afiladas y limpias.** Las máquinas de corte mantenidas adecuadamente, con bordes de corte afilados, tienen menos probabilidades de atorarse y son más fáciles de controlar.

- **Utilice la máquina, los accesorios, las brocas de la máquina, etc., de acuerdo con estas instrucciones, teniendo en cuenta las condiciones de trabajo y el trabajo que se vaya a realizar.** El uso de la máquina para operaciones distintas a las previstas podría causar una situación peligrosa.
- **Mantenga los mangos y las superficies de agarre secos, limpios y libres de aceite y grasa.** Los mangos resbalosos y las superficies de agarre resbalosas no permiten un manejo y un control seguros de la máquina en situaciones inesperadas.

USO Y CUIDADO DE LAS MÁQUINAS A BATERÍA

- **Recargue el paquete de batería solo con el cargador especificado por el fabricante.** Es posible que un cargador que sea adecuado para un tipo de paquete de batería cree un riesgo de incendio cuando se utilice con otro paquete de batería.
- **Utilice las máquinas solo con los paquetes de batería designados específicamente.** Es posible que el uso de cualquier otro paquete de batería cree un riesgo de lesiones e incendio.
- **Cuando el paquete de batería no se esté utilizando, manténgalo alejado de otros objetos metálicos, tales como clips sujetapapeles, monedas, llaves, clavos, tornillos u otros objetos metálicos pequeños que puedan hacer una conexión de un terminal con otro.** Si se cortocircuitan juntos los terminales de la batería, es posible que se causen quemaduras o un incendio.
- **En condiciones de abusivas, es posible que se expulse líquido de la batería; evite el contacto. Si se produce un contacto accidentalmente, enjuáguese con agua.** Si el líquido entra en contacto con los ojos, obtenga además ayuda médica. Es posible que el líquido expulsado de la batería cause irritación o quemaduras.
- **No utilice un paquete de batería o una máquina que estén dañados o modificados.** Es posible que las baterías dañadas o modificadas exhiban un comportamiento imprevisible que cause incendio, explosión o riesgo de lesiones.
- **No exponga un paquete de batería o una máquina a un fuego o a una temperatura excesiva.** Es posible que la exposición a un fuego o a una temperatura superior a 265 °F (130 °C) cause una explosión.
- **Siga todas las instrucciones de carga y no cargue el paquete de batería ni la máquina fuera del intervalo de temperatura especificado en las instrucciones.** Es posible que la realización de la carga de manera inadecuada o a temperaturas que estén fuera del intervalo especificado dañe la batería y aumente el riesgo de incendio.

SERVICIO DE AJUSTES Y REPARACIONES

- **Haga que su máquina reciba servicio de ajustes y reparaciones por un técnico de reparaciones calificado que utilice únicamente piezas de repuesto idénticas.** Esto garantizará que se mantenga la seguridad de la máquina..
- **Nunca realice mantenimiento a los paquetes de baterías.** Solo el fabricante o proveedores de servicio autorizados pueden realizar el mantenimiento de los paquetes de baterías.

ADVERTENCIAS DE SEGURIDAD PARA ORILLADORAS DE ARBUSTOS

- **Mantenga todas las partes del cuerpo alejadas de la hoja. No retire material cortado ni agarre material que se vaya a cortar cuando las hojas se estén moviendo. Las hojas continúan moviéndose después de poner el interruptor en la posición de apagado.** Es posible que un momento de desatención mientras se esté utilizando la orilladora de arbustos cause lesiones corporales graves.
- **Transporte la orilladora de arbustos por el mango con la hoja detenida y teniendo cuidado de no accionar ningún interruptor de alimentación.** Un transporte correcto de la orilladora de arbustos reducirá el riesgo de arranques accidentales y lesiones corporales causadas por las hojas.
- **Cuando transporte o almacene la orilladora de arbustos, ajuste siempre la cubierta de la hoja.** El manejo correcto de la orilladora de arbustos reducirá el riesgo de lesiones corporales causadas por las hojas.
- **Cuando libere material atorado o haga servicio de ajustes y reparaciones de la unidad, asegúrese de que todos los interruptores de alimentación estén en la posición de apagado y que el paquete de batería se haya retirado o desconectado.** Es posible que un accionamiento inesperado de la orilladora de arbustos mientras se esté liberando material atorado o haciendo servicio de ajustes y reparaciones cause lesiones corporales graves.
- **Agarre la orilladora de arbustos por las superficies de agarre con aislamiento solamente, porque es posible que la hoja entre en contacto con cables ocultos.** Es posible que las hojas que entren contacto con un cable “que tenga corriente” hagan que las partes metálicas de la orilladora de arbustos que estén al descubierto “tenga corriente” y con ello podrían causar una descarga eléctrica al operador.
- **Mantenga todos los cables de alimentación y otros cables alejados del área de corte.** Es posible que haya cables de alimentación ocultos en los setos o arbustos y dichos cables pueden ser cortados accidentalmente por la hoja.

- **No utilice la orilladora de arbustos en malas condiciones climáticas, especialmente cuando haya riesgo de rayos.** Esto reduce el riesgo de ser alcanzado por rayos.
- **Utilice la orilladora de arbustos a nivel del terreno solamente.** No lo utilice subido a escaleras de mano o cualquier otro soporte inestable.
- **Asegúrese de que el mango trasero esté en la posición bloqueada antes de utilizar la orilladora de arbustos.**

INSTRUCCIONES IMPORTANTES DE SEGURIDAD

- No cargue el paquete de baterías bajo la lluvia o en lugares húmedos.
- Use la herramienta solo con los paquetes de baterías y cargadores que se mencionan a continuación:

BATERÍA	CARGADOR
BA1400, BA1400-FC, BA2800, BA2800-FC, BA4200, BA4200-FC, BA1400T, BA1400T-FC, BA2242T, BA2242T-FC, BA2800T, BA2800T-FC, BA3360T, BA3360T-FC, BA4200T, BA4200T-FC, BA4480T, BA4480T-FC, BA5600T, BA5600T-FC, BA6720T, BA6720T-FC	CH2100, CH2100-FC, CH3200, CH3200-FC, CH5500, CH5500-FC, CH2800D, CH2800D-FC, CH7000, CH7000-FC

- No tome las cuchillas de corte expuestas ni los bordes de corte al levantar o sostener la cortadora de orillas.
- No use en una escalera, tejado, árbol ni otro soporte inestable. Un punto de apoyo estable sobre una superficie sólida permite un mejor control de la cortadora de orillas en situaciones inesperadas.
- Nunca permita que niños operen la cortadora de orillas.
- Nunca manipule ni quite los dispositivos de seguridad. Revise regularmente que funcionen de manera correcta. No haga nada que pueda interferir con el funcionamiento previsto de un dispositivo de seguridad o reduzca la protección que brinda un dispositivo de seguridad.

- Nunca opere la cortadora de orillas si las protecciones o placas adecuadas o si otros dispositivos de protección de seguridad no se encuentran en su lugar.
- Revise si hay piezas dañadas antes de continuar usando la cortadora de orillas. Se debe revisar con cuidado cualquier pieza dañada para determinar si funciona correctamente y si cumple su función específica. Compruebe que las piezas móviles estén alineadas y que no estén dobladas ni rotas, que el montaje sea el correcto y cualquier otra condición que pueda afectar el funcionamiento de la herramienta. Todas las piezas dañadas deben repararse de manera adecuada o cambiarse en un centro de servicio autorizado, a menos que se indique lo contrario en este manual.
- Revise los pernos de montaje de la cuchilla y del motor con frecuencia para verificar que estén bien ajustados. Además, inspeccione visualmente la cuchilla para controlar que no haya daños (por ejemplo, dobladuras, grietas y desgaste). Reemplace la cuchilla solo con una cuchilla del fabricante original del equipo (OEM, por sus siglas en inglés).
- Reemplace la cuchilla si está doblada o agrietada. Una cuchilla desequilibrada causa vibración, lo que puede dañar la unidad propulsora del motor o provocar lesiones personales.
- Si el equipo comienza a vibrar de un modo anormal, detenga el motor y busque inmediatamente la causa. La vibración, generalmente, advierte un problema.
- La cortadora debe usarse para cortar tallos de menos de 1,2 in. (30,5 mm) de grosor.
- Corte solo durante el día o con buena luz artificial.
- Retire o desconecte la batería antes de hacer el mantenimiento, limpiar o quitar material de la cortadora de orillas.
- No lave la cortadora de orillas con una manguera; evite que el motor y las conexiones eléctricas se mojen.
- Cuando realice el mantenimiento, use solamente piezas de repuesto idénticas a las que se indican en este manual. El uso de piezas que no coincidan con las especificaciones del equipo original puede provocar fallas de funcionamiento o poner en riesgo la seguridad.
- No incinere el electrodoméstico incluso si está muy dañado. Las baterías pueden explotar en un incendio.
- No incinere el electrodoméstico incluso si está severamente dañado. Las baterías pueden explotar en un fuego.

- Siga las instrucciones para lubricar y cambiar los accesorios.
- Mantenga las empuñaduras limpias, secas y sin aceite ni grasa.
- Compruebe si en los setos y arbustos hay objetos extraños, p. ej., cercas de alambre y cableado oculto antes de utilizar la máquina.
- **Guarde estas instrucciones.** Consúltelas con frecuencia y úselas para instruir a otras personas que puedan utilizar esta máquina. Si le presta esta máquina a alguien, préstele también estas instrucciones para evitar un uso incorrecto del producto y posibles lesiones.

GUARDE ESTAS INSTRUCCIONES!

INTRODUCCIÓN

Felicitaciones por elegir la nueva cortadora de orillas eléctrica de iones de litio de 56 V de última generación. Está pensada, diseñada y fabricada para brindarle el mejor rendimiento y confiabilidad posibles.


En caso de que tuviera algún problema que no pudiera resolver fácilmente, póngase en contacto con el Centro de Servicio al Cliente de EGO llamando al 1-855-EGO-5656.

Este manual contiene información importante para el ensamble, el funcionamiento y el mantenimiento seguro de su producto. Léalo atentamente antes de usar el producto. Mantenga este manual a mano para poder consultarlo en cualquier momento.

NÚMERO DE SERIE _____ FECHA DE COMPRA _____

DEBE ANOTAR EL NÚMERO DE SERIE Y LA FECHA DE COMPRA Y CONSERVARLOS EN UN LUGAR SEGURO PARA CONSULTARLOS EN EL FUTURO.

ESPECIFICACIONES

Voltaje	56V 
Velocidad sin carga	3400 CPM (ajuste alto)
Largo de corte	26 pulgadas (660mm)
Capacidad de corte	1,2 pulgadas (30,5 mm)
Temperatura de funcionamiento recomendada	32 °F – 104 °F (0 °C – 40 °C)
Temperatura de almacenamiento recomendada	-4 °F – 158 °F (-20 °C – 70 °C)
Peso (sin paquete de batería ni protector de la hoja)	6,92 lb. (3,14 kg)
Grado de protección contra la penetración	IPX4* (protección contra las salpicaduras de agua)

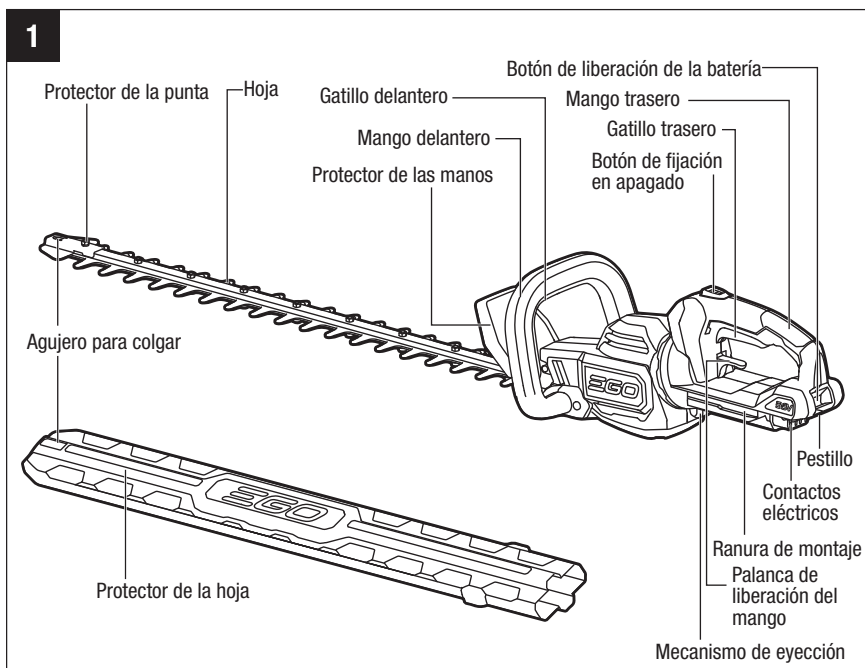
* **NOTA:** La calificación IPX4 se basa en que la máquina y la batería se utilicen juntas como un sistema.

DESCRIPCIÓN

CONOZCA SU ORILLADORA DE ARBUSTOS (Fig. 1)

⚠ ADVERTENCIA: Este producto se ha enviado completamente ensamblado. El protector de las manos no se deberá retirar nunca durante el uso. Una vez que esté dañado, deberá ser reemplazado inmediatamente por un técnico de servicio calificado.

⚠ ADVERTENCIA: El uso seguro de este producto requiere entender la información que está en la máquina y en este manual del operador, así como tener conocimiento del proyecto que se esté intentando realizar. Antes de utilizar este producto, familiarícese con todas las características de funcionamiento y todas las normas de seguridad.



Protector de las manos

Ayuda a proteger las manos del operador; desvía las virutas u otros residuos alejándolos del operador.

Mango delantero

Para controlar fácilmente la máquina.

Mango trasero

El mango ergonómico con sobremoldura mejora la comodidad y el agarre.

Botón de fijación en apagado

Ayuda a prevenir la activación accidental o no autorizada del gatillo. Se debe presionar antes de que el gatillo se pueda activar.

Gatillo delantero/gatillo trasero

La orilladora de arbustos se puede arrancar solo si ambos gatillos ubicados en los mangos delantero y trasero se presionan al mismo tiempo.

Hojas

Hojas de acero endurecido para cortar arbustos y setos.

Protector de la hoja

El protector de la hoja impide que el operador entre en contacto con las hojas afiladas cuando la máquina no se esté utilizando. También ayuda a evitar que las hojas se mellen o se dañen cuando la máquina esté siendo transportada o esté almacenada.

Protector de la punta

Protege la punta exterior de la hoja.

Botón de liberación de la batería

Presiónelo para liberar el paquete de batería de la máquina.

Pestillo

Fija el paquete de batería en la posición correcta al instalarlo en la máquina.

Mecanismo de eyección

Ayuda a retirar la batería.

Palanca de liberación del mango

Se puede subir para ajustar el pivote del mango trasero.

ENSAMBLAJE

⚠ ADVERTENCIA: si faltan piezas o estas están dañadas, no opere este producto hasta reemplazar dichas piezas. El uso de este producto con piezas dañadas o faltantes podría provocar lesiones graves.

⚠ ADVERTENCIA: no intente modificar este producto ni crear accesorios que no estén recomendados para usar con esta cortadora de orillas. Cualquier alteración o modificación de ese tipo representa un mal uso y puede generar condiciones peligrosas que causen posibles lesiones personales graves.

⚠ ADVERTENCIA: para evitar arranques accidentales que podrían causar lesiones corporales graves, retire siempre el paquete de batería de la máquina cuando ensamble piezas.

DESEMBALAJE

Este producto se ha enviado completamente ensamblado.

- Retire con cuidado el producto y cualquier accesorio de la caja. Asegúrese de que todos los elementos que aparecen en la lista de empaque estén incluidos.
- Inspeccione minuciosamente la máquina para asegurarse de que no se hayan producido roturas o daños durante el envío.
- No deseche el material de empaquetamiento hasta que haya inspeccionado minuciosamente y utilizado satisfactoriamente la máquina.
- Si hay alguna pieza dañada o faltante, devuelva el producto al lugar donde lo compró.

LISTA DE EMPAQUE

NOMBRE DE LA PIEZA	CANTIDAD
Orilladora de arbustos	1
Protector de la hoja	1
Manual del operador	1

FUNCIONAMIENTO

⚠ ADVERTENCIA: no permita que familiarizarse con este producto lo vuelva imprudente. Recuerde que un descuido de una fracción de segundo es suficiente para ocasionar lesiones graves.

⚠ ADVERTENCIA: use siempre lentes de protección que cumplan con la norma ANSI Z87.1. De lo contrario, podría provocar que se disparen objetos hacia sus ojos y otras posibles lesiones graves.

⚠ ADVERTENCIA: no use ningún aditamento ni accesorio que no haya sido recomendado por el fabricante de este producto. El uso de aditamentos o accesorios diferentes a los recomendados podría provocar lesiones graves.

⚠ ADVERTENCIA: para evitar lesiones corporales graves, retire el paquete de batería de la máquina antes de hacer servicio de ajustes y reparaciones, realizar limpieza, cambiar accesorios o retirar material de la unidad.

Antes de cada uso, inspeccione todo el producto en busca de piezas dañadas, faltantes o sueltas, como tornillos, tuercas, pernos, tapas, etc. Apriete bien todos los sujetadores y tapas y no opere este producto hasta que se hayan reemplazado todas las piezas faltantes o dañadas.

APLICACIÓN

Usted puede utilizar este producto para orillar arbustos, setos y matorrales con un diámetro de rama de menos de 1,2 pulgadas (30,5 mm).

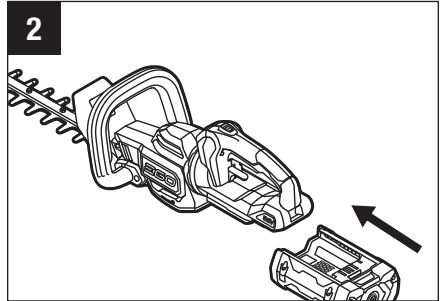
NOTA: La máquina se deberá utilizar únicamente para su propósito establecido. Cualquier otro uso se considera un uso incorrecto.

PARA INSTALAR/DESINSTALAR EL PAQUETE DE BATERÍA (Fig. 2 y 3)

NOTA: Cargue completamente el paquete de batería antes del primer uso.

Para instalar el paquete de batería (Fig. 2)

- Alinee las costillas del paquete de batería con las ranuras de montaje de la batería ubicadas en la orilladora de arbustos.
- Deslice el paquete de batería hacia dentro hasta que se acople a presión en la posición correcta.

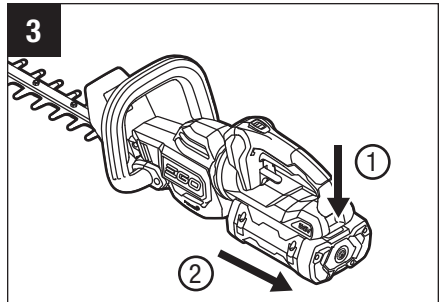


NOTA: Asegúrese de que el pestillo de la orilladora de arbustos se acople a presión en la posición correcta y que el paquete de batería esté fijo en la máquina antes de comenzar su utilización.

Para desinstalar el paquete de batería (Fig. 3)

⚠ ADVERTENCIA: Tenga presente siempre la ubicación de los pies, los niños y los animales domésticos cuando presione el botón de liberación de la batería. Podrían ocurrir lesiones graves si el paquete de batería se cae. No retire NUNCA el paquete de batería en una ubicación alta.

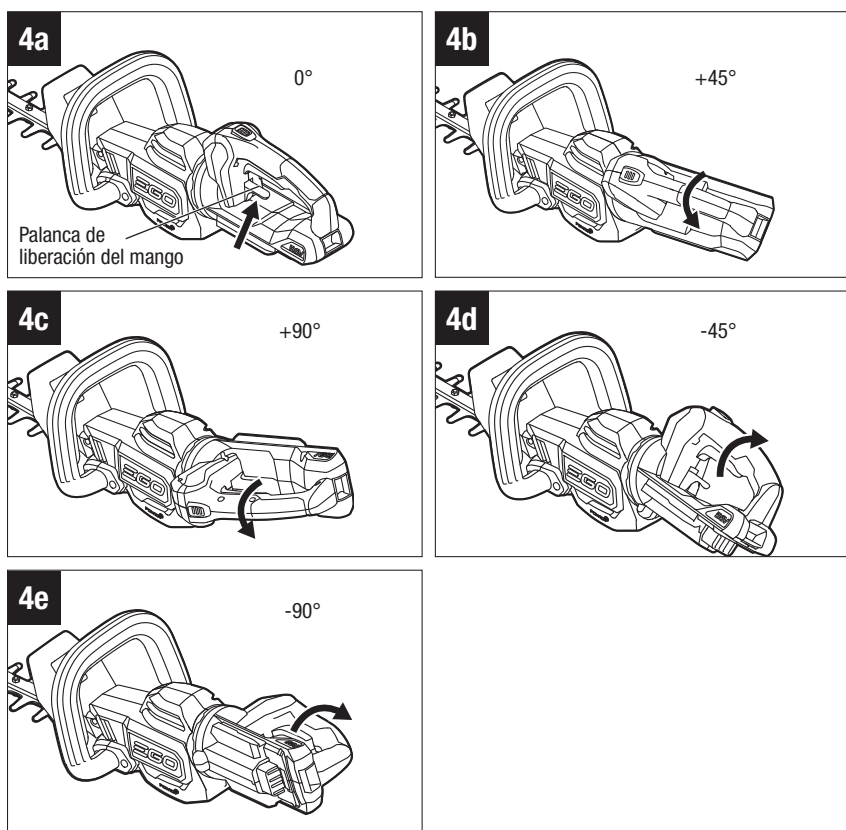
- Presione el botón de liberación de la batería; el paquete de batería se desacoplará del pestillo.
- Agarre el paquete de batería y retírelo de la orilladora de arbustos.



UJECIÓN DE LA ORILLADORA DE ARBUSTOS

Con la hoja dirigida alejándose de usted, agarre siempre la orilladora con las dos manos. Una mano en el mango delantero y la otra mano en el mango trasero.

El mango trasero se puede pivotar y fijar en una de las cinco posiciones: 0° (posición preestablecida), +45°, +90°, -45° y -90°. Esto le ofrece a usted muchas opciones de agarre cómodo cuando realice operaciones de orillado (Fig. 4a – Fig. 4e).



Para reposicionar el mango trasero:

1. Desconecte el paquete de batería.
2. Levante la palanca de liberación del mango y comience a pivotar el mango en el sentido deseado.
3. Suelte la palanca de liberación del mango y siga pivotando el mango.
4. El mango quedará fijo automáticamente en la posición correcta una vez que llegue la retén más cercano.

⚠ ADVERTENCIA: No intente pivotar el mango mientras la máquina esté en funcionamiento. Detenga la máquina y retire primero la batería.

ARRANQUE/PARADA DE LA ORILLADORA DE ARBUSTOS

Antes de utilizar la orilladora, retire el protector de la hoja y agarre la orilladora con las dos manos, colocando una mano en el mango trasero y la otra en el mango delantero. Luego, compruebe que tiene un buen equilibrio de los pies, que está de pie en posición erguida y que la distancia de corte es adecuada.

⚠ ADVERTENCIA: Mantenga siempre ambas manos en los mangos de la orilladora de arbustos. No agarre nunca los arbustos con una mano y utilice la orilladora de arbustos con la otra. Si no se hace caso de esta advertencia, es posible que el resultado sea lesiones graves.

PARA ARRANCAR LA ORILLADORA DE ARBUSTOS

1. Instale el paquete de batería.
2. Apriete y mantenga apretado el gatillo delantero con una mano.
3. Presione y mantenga presionado el botón de fijación en apagado con el dedo pulgar de la otra mano y luego apriete el gatillo trasero con los dedos para arrancar la orilladora de arbustos. Suelte el botón de fijación en apagado y siga apretando el gatillo para obtener un funcionamiento continuo.

PARA DETENER LA ORILLADORA DE ARBUSTOS

Mueva la orilladora de arbustos alejándola del área de corte y suelte cualquiera de los dos gatillos para detenerla.

⚠ ADVERTENCIA: Retire siempre el paquete de batería de la orilladora de arbustos durante las pausas de descanso del trabajo y después de acabar el trabajo.

UTILIZACIÓN DE LA ORILLADORA DE ARBUSTOS

⚠ PELIGRO: Si la hoja se atora en cualquier cable eléctrico o línea eléctrica, **¡NO TOQUE LA HOJA! PUEDE TENER CORRIENTE ELÉCTRICA Y VOLVERSE MUY PELIGROSA.** Continúe agarrando la orilladora de arbustos por el mango trasero con aislamiento o deposítela alejada de usted de manera segura. Asegúrese de que las hojas se hayan detenido totalmente y que el paquete de batería se haya retirado antes de liberar de las hojas el material atorado. Si no se sigue esta advertencia, el resultado será lesiones corporales graves o posible muerte.

⚠ ADVERTENCIA: Si alguna pieza falta, está dañada o está rota, no utilice la orilladora hasta que dicha pieza haya sido reemplazada. Si no se hace así, el resultado podría ser lesiones corporales graves.

⚠ ADVERTENCIA: Para prevenir lesiones corporales graves, utilice siempre tanto el mango delantero como el mango trasero para agarrar la orilladora de arbustos durante su utilización.

⚠ ADVERTENCIA: Para prevenir lesiones corporales graves, mantenga las manos alejadas de las hojas. No intente retirar el material cortado ni agarrar el material que se vaya a cortar cuando las hojas se estén moviendo. Asegúrese de que las hojas se hayan detenido totalmente y que el paquete de batería se haya retirado antes de liberar de las hojas el material atorado. No agarre las hojas de corte ni los bordes de corte que estén al descubierto cuando levante o agarre la unidad.

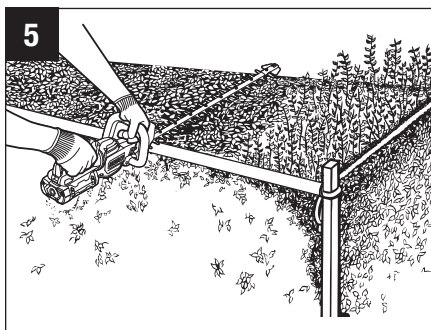
⚠ ADVERTENCIA: Despeje el área que se vaya a cortar antes de cada uso. Retire todos los objetos, tales como cables de alimentación, luces, alambre o hilo, que se puedan enganchar en la hoja de corte y crear un riesgo de lesiones corporales graves.

- Antes de arrancar la orilladora de arbustos, mantenga un apoyo de los pies y un equilibrio adecuados y no intente alcanzar demasiado lejos. Use anteojos de seguridad, calzado antideslizante y guantes de caucho. Agarre la unidad con las dos manos, con las hojas de corte dirigidas alejándose de usted.
- No orille demasiado a la vez. Esto puede hacer que las hojas se atoren y pierdan velocidad, con lo cual se reducirá la eficacia de corte.
- No fuerce la orilladora de arbustos a través de arbustos gruesos. Esto puede hacer que las hojas se atoren y pierdan velocidad. Si las hojas pierden velocidad, reduzca el ritmo de su trabajo.

- Cuando orille brotes nuevos, utilice una acción de barrido ancho, para que los tallos se hagan avanzar directamente hacia la hoja de corte. Los brotes más viejos tendrán tallos más gruesos y se orillarán más fácilmente utilizando un movimiento hacia atrás y hacia delante.
- Corte siempre tallos o ramitas que midan menos de 1,2 pulgada (30,5 mm) de grosor. Utilice una sierra de mano no eléctrica o una sierra podadora para orillar los tallos grandes.

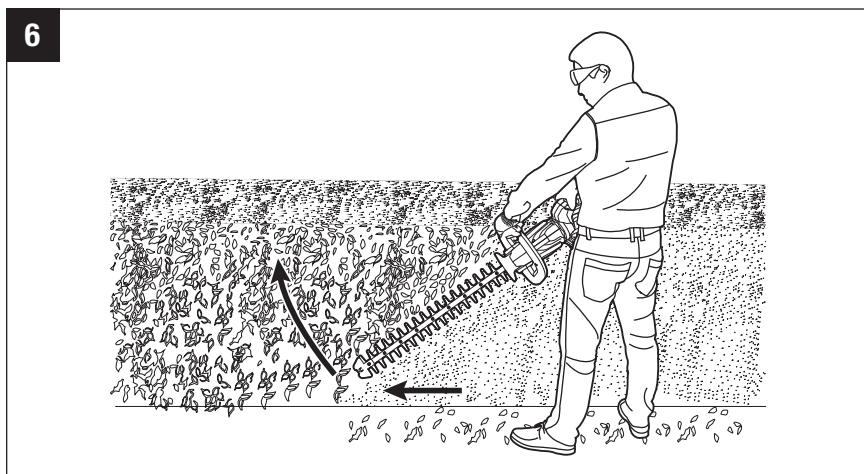
CORTE SUPERIOR

Utilice un movimiento de barrido ancho. Una ligera inclinación de las hojas de corte hacia abajo, en el sentido de movimiento, da los mejores resultados de corte. Para obtener un mejor efecto de corte, puede usar el hilo para guiar la orilladora por el arbusto de manera nivelada (Fig. 5).



CORTE LATERAL

Cuando orille los lados del arbusto, comience en la parte inferior y corte hacia arriba (Fig. 6). Orille el lado de un arbusto de manera que sea ligeramente más estrecho en la parte de arriba. Esta forma expondrá mayor cantidad de arbusto a la luz solar, lo cual tendrá como resultado un crecimiento más uniforme.



MANTENIMIENTO

⚠ ADVERTENCIA: al realizarle mantenimiento, use solo piezas de repuesto idénticas. El uso de otras piezas puede generar un peligro o dañar el producto. Para garantizar la seguridad y fiabilidad, todas las reparaciones las debe realizar un técnico calificado.

⚠ ADVERTENCIA: para evitar lesiones personales graves, retire siempre el paquete de baterías del producto cuando realice limpieza o cualquier tipo de mantenimiento.

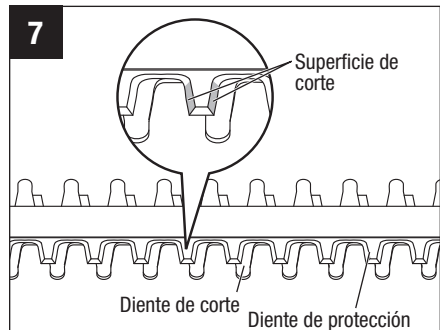
LIMPIEZA

- Utilice un cepillo blando para retirar los residuos de todas las entradas de aire y de la hoja de corte.
- Para retirar resina y otros residuos pegajosos, rocíe las hojas con solvente de resina. Tenga el motor en funcionamiento brevemente para que el solvente se distribuya uniformemente y luego limpie la superficie con un paño seco.

⚠ ADVERTENCIA: No utilice nunca agua para limpiar la orilladora. Evite utilizar solventes cuando limpie piezas de plástico. La mayoría de los plásticos son susceptibles de sufrir daños causados por diversos tipos de solventes comerciales. Use paños limpios para retirar la suciedad, el polvo, el aceite, la grasa, etc.

PARA AFILAR LA CUCHILLA DE CORTE

1. Arranque y detenga su cortadora de orillas hasta que la cuchilla de corte y el protector estén levemente fuera de lugar, como se muestra en la Fig. 7, para obtener la separación de la lima entre el diente de corte y el diente de protección.



2. Retire el paquete de baterías de la cortadora de orillas.

3. Sujete el ensamble de la cuchilla con una grapa y lime la superficie de corte expuesta de cada diente de la cuchilla. Retire la menor cantidad posible de material. Asegúrese de mantener el ángulo original de cada diente cuando lo lime.

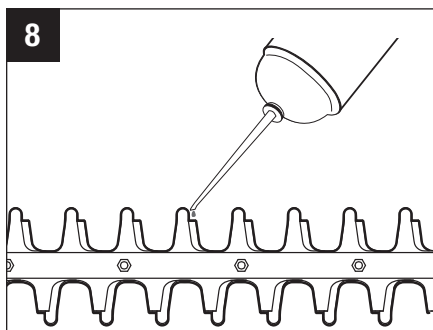
4. Retire la cortadora de orillas de la grapa; vuelva a arrancarla y detenerla para exponer los bordes sin afilar de los dientes de la cuchilla.
5. Retire el paquete de baterías y repita el procedimiento de afilado anterior.

NOTA: no opere su cortadora de orillas si las cuchillas de corte están desgastadas o dañadas, ya que podría provocar una sobrecarga y originar resultados de corte insatisfactorios.

LUBRICACIÓN DE LAS HOJAS (Fig. 8)

Para obtener el mejor funcionamiento y una vida útil más larga de las hojas, lubrique las hojas de la orilladora de arbustos con aceite ligero para máquinas antes y después de cada uso.

1. Retire el paquete de batería de la orilladora de arbustos.
2. Acueste la orilladora de arbustos sobre una superficie plana. Aplique un poco de aceite ligero para máquinas a lo largo del borde de las hojas superiores. Si va a utilizar la orilladora de arbustos durante un período de tiempo prolongado, es aconsejable hacer una pausa, retirar la batería y engrasar las hojas con aceite.



Si las hojas superiores están completamente alineadas con las inferiores, arranque la orilladora de arbustos y luego deténgala para alternar las hojas antes de realizar la lubricación.

⚠ ADVERTENCIA: No lubrique las hojas mientras la orilladora de arbustos esté en funcionamiento.

⚠ ADVERTENCIA: Las hojas están afiladas. Cuando maneje el ensamblaje de la hoja, use guantes protectores gruesos antideslizantes. No ponga la mano ni los dedos entre las hojas o en ninguna posición en la que podrían resultar aplastados o cortados. No toque NUNCA las hojas ni haga servicio de ajustes y reparaciones de la unidad con el paquete de batería instalado.

TRANSPORTE Y ALMACENAJE

- Coloque siempre el protector de la hoja antes de almacenar o transportar la orilladora de arbustos. Tenga cuidado de evitar los dientes afilados de la cuchilla.
- Limpie bien la cortadora de orillas antes de almacenarla.
- Almacene la cortadora de orillas en interiores, en un lugar seco que no sea accesible para los niños.
- Mantenga alejada de agentes corrosivos, como productos químicos para jardín y sales para derretir hielo.

⚠ ADVERTENCIA: las cuchillas son afiladas. Cuando manipule el ensamble de la cuchilla, utilice guantes de protección antideslizantes para trabajo pesado. No coloque su mano ni los dedos entre las cuchillas o en alguna posición donde puedan quedar atrapados o cortarse. **NUNCA** toque las cuchillas ni realice mantenimiento a la unidad con la batería instalada.

SOLUCIÓN DE PROBLEMAS

PROBLÈME	CAUSE	SOLUTION
La orilladora no funciona.	<ul style="list-style-type: none">■ El paquete de batería no está instalado en la orilladora de arbustos.■ No hay contacto eléctrico entre la orilladora de arbustos y el paquete de batería.■ El paquete de batería está agotado.■ El paquete de batería o la orilladora de arbustos están demasiado calientes. ■ Los gatillos delantero y trasero no se están presionando simultáneamente. ■ La hoja está atorada.	<ul style="list-style-type: none">■ Instale el paquete de batería en la orilladora de arbustos.■ Retire la batería, compruebe los contactos y reinstale el paquete de batería■ Cargue el paquete de batería. ■ Retire el paquete de batería de la orilladora de arbustos y deje que la batería o la orilladora de arbustos se enfríen hasta que la temperatura descienda por debajo de 152 °F (67 °C).■ Presione primero el botón de fijación en apagado y luego presione simultáneamente los gatillos ubicados en el mango delantero y el mango trasero.■ Retire el paquete de batería de la máquina, retire cuidadosamente la obstrucción y luego reinserte la batería y rearranque la máquina.

PROBLÈME	CAUSE	SOLUTION
<p>Vibración o ruido excesivos</p>	<ul style="list-style-type: none"> ■ Las cuchillas están secas o corroídas. ■ Las cuchillas o el soporte de las cuchillas está doblado. ■ Dientes doblados o dañados. ■ Los pernos de la cuchilla están sueltos 	<ul style="list-style-type: none"> ■ Lubrique las hojas siguiendo las instrucciones de la sección “LUBRICACIÓN DE LA HOJA” de este manual. ■ Reemplácelos por una hoja nueva o un soporte nuevo. Contacte a un centro de servicio EGO para obtener una hoja o servicio de reemplazo de hojas. ■ Reemplácela por una hoja nueva. Contacte a un centro de servicio EGO para obtener servicio de reemplazo de hojas. ■ Apriete los pernos de la hoja. Utilice una llave de tuerca ajustable y una llave hexagonal de 3 mm/4 mm (no incluidas) para apretar los pernos de la hoja en el sentido de las agujas del reloj.

GARANTÍA LIMITADA DE EGO

TÉRMINOS Y DURACIÓN DE LA PÓLIZA DE GARANTÍA

Chervon North America, Inc. (“Chervon North America”), proporciona la siguiente Garantía Limitada para los productos EGO al comprador original de productos EGO.

El período de garantía detallado de cada producto EGO se puede encontrar en línea en <http://egopowerplus.com/warranty-policy>.

Sírvase contactar a Servicio al Cliente de EGO llamando gratis al 1-855-EGO-5656 en cualquier momento en que tenga preguntas o reclamos de garantía, o si desea obtener una copia impresa de la garantía.

GARANTÍA LIMITADA DE SERVICIO

Los productos EGO están garantizados contra defectos de material o de fabricación a partir de la fecha de compra minorista original durante el período de garantía aplicable. Para cualquier reclamo de garantía presentado de manera adecuada y oportuna, si Chervon North America determina que un producto presenta algún defecto durante el período de garantía, dicho producto recibirá una reparación o un remplazo gratuitos, según lo determine Chervon North America.

CÓMO OBTENER SERVICIO

Para obtener servicio de garantía, dentro del período de garantía aplicable, sírvase contactar a servicio al cliente de EGO llamando gratis al **1-855-EGO-5656**. Cuando solicite servicio de garantía, deberá presentar el recibo de venta fechado original. Se seleccionará un centro de servicio autorizado para evaluar y reparar el producto si el mismo presenta algún defecto de acuerdo con los términos establecidos en la garantía. Cuando lleve su producto al centro de servicio autorizado, es posible que se requiera un pequeño depósito cuando deje allí su herramienta. Este depósito es reembolsable cuando se considere que el servicio de reparaciones esté cubierto bajo garantía.

LIMITACIONES Y EXCLUSIONES ADICIONALES

Esta garantía limitada se aplica solo al comprador original que realice la compra a un minorista EGO autorizado y no es transferible. Los productos EGO no serán considerados defectuosos, y esta garantía no se aplicará, en los casos en que el defecto por el que se presente el reclamo sea atribuible a cualquier causa que no sean los defectos definidos anteriormente en este documento. Esta garantía quedará anulada si el producto se ha utilizado para fines de alquiler. Esta garantía no se aplicará a daños causados por accidente, abuso, uso incorrecto, alteración, modificación, reparación no autorizada, contacto con líquidos, incendio, terremoto u otra causa externa; utilización del producto sin seguir las instrucciones, especificaciones o pautas de EGO; o no hacer servicio de ajustes y reparaciones o no mantener adecuadamente el producto. Esta garantía tampoco se aplica a los daños cosméticos, incluyendo, pero sin limitarse a ello, rasguñaduras o abolladuras; defectos causados por el desgaste por el uso normal o defectos que de alguna otra manera se deban al envejecimiento normal del producto.

ESTA GARANTÍA EXPRESA SE DA EN LUGAR DE TODAS LAS DEMÁS GARANTÍAS, EXPRESAS O IMPLÍCITAS, INCLUYENDO, PERO SIN LIMITARSE A ELLO, TODAS LAS GARANTÍAS DE COMERCIABILIDAD O IDONEIDAD PARA UN PROPÓSITO O USO ESPECÍFICO, LAS CUALES QUEDAN EXCLUIDAS. Todas las garantías implícitas, incluyendo las garantías de comerciabilidad o idoneidad para un propósito específico, que no se puedan excluir bajo la ley estatal, están limitadas al período de garantía aplicable definido al comienzo de este artículo. El remedio único y exclusivo en conexión con la compra, instalación, uso y/o rendimiento de los productos EGO es la reparación o el reemplazo del producto tal y como lo determine Chervon North America. La responsabilidad máxima de North America no excederá en ningún caso el precio de compra pagado por el producto. CHERVON NORTH AMERICA NO SERÁ RESPONSABLE ANTE EL USUARIO NI ANTE NADIE MÁS POR DAÑOS EMERGENTES, INCIDENTALES, ESPECIALES, EJEMPLARES, INDIRECTOS O PUNITIVOS QUE SURJAN DEL USO DE LOS PRODUCTOS, INCLUYENDO, PERO SIN LIMITARSE A ELLO, LESIONES CORPORALES, MUERTE, DAÑOS MATERIALES, GANANCIAS PERDIDAS U OTROS PERJUICIOS ECONÓMICOS. Esta garantía le confiere a usted derechos legales específicos y es posible que usted tenga también otros derechos que varían de un estado a otro. Algunos estados no permiten limitaciones en cuanto a la duración de una garantía implícita, la exclusión o limitación de los daños incidentales o emergentes, o las limitaciones al tiempo para emprender ciertas acciones legales, por lo que las limitaciones contenidas en el presente documento no se aplican a los consumidores individuales de esos estados.



Esta garantía está sujeta a la ley de Michigan y se interpretará de acuerdo con dicha ley, con independencia de los principios sobre conflictos de leyes. No se emprenderá ninguna acción legal contra Chervon North America a menos que se presente dentro del plazo de un (1) año después de que se tenga conocimiento de la base de dicha acción legal o de la cual se debiera haber tenido conocimiento con el ejercicio de una diligencia razonable. Se considerará que se ha renunciado a cualquier acción legal que no se presente oportunamente.

Para obtener servicio al cliente, contáctenos llamando gratis al **1-855-EGO-5656** o en **EGOPOWERPLUS.COM**.

EGO Customer Service,
769 Seward Ave. NW, Suite 102,
Grand Rapids, Michigan 49504.