

# STIHL

## STIHL FH-KM

Instruction Manual  
Manual de instrucciones



**! WARNING**

Read Instruction Manual thoroughly before use and follow all safety precautions – improper use can cause serious or fatal injury.

**! ADVERTENCIA**

Antes de usar la máquina lea y siga todas las precauciones de seguridad dadas en el manual de instrucciones – el uso incorrecto puede causar lesiones graves o mortales.



**Instruction Manual**

**1 - 19**

**Manual de instrucciones**

**20 - 40**

## Contents

KombiSystem	2
Guide to Using this Manual	2
Safety Precautions and Working Techniques	3
Using the Unit	9
Approved KombiEngines	9
Mounting the KombiTool	10
Assembling the Unit	10
Adjusting the Cutter Bar	11
Fitting the Harness	12
Starting / Stopping the Engine	13
Lubricating the Gearbox	14
Storing the Machine	15
Maintenance and Care	15
Sharpening Instructions	15
Main Parts	16
Specifications	17
Maintenance and Repairs	17
Disposal	18
Trademarks	18

Allow only persons who fully understand the manuals of the KombiEngine and power scythe KombiTool to operate this power tool combination.

To receive maximum performance and satisfaction from your STIHL KombiTool, it is important that you read, understand and follow the safety precautions and the operating and maintenance instructions in chapter "Safety Precautions and Working Techniques" before using your KombiTool. For further information you can go to [www.stihlusa.com](http://www.stihlusa.com).

Contact your STIHL dealer or the STIHL distributor for your area if you do not understand any of the instructions in the two manuals.

### **WARNING**

Because a KombiEngine equipped with a power scythe KombiTool has a high-speed cutting attachment some special safety precautions must be observed to reduce the risk of personal injury. Careless or improper use may cause serious or even fatal injury.

# STIHL

## KombiSystem

In the STIHL KombiSystem a number of different KombiEngines and KombiTools can be combined to produce a power tool. In this instruction manual the functional unit formed by the KombiEngine and KombiTool is referred to as the power tool.

Therefore, the separate instruction manuals for the KombiEngine and KombiTool should be used together for the power tool.

Always read and make sure you understand both instruction manuals before using your power tool for the first time and keep them in a safe place for future reference.

## Guide to Using this Manual

### Pictograms

All the pictograms attached to or embossed on the machine are shown and explained in this manual.

### Symbols in Text

Many operating and safety instructions are supported by illustrations.

The individual steps or procedures described in the manual may be marked in different ways:

- A bullet marks a step or procedure.

A description of a step or procedure that refers directly to an illustration may contain item numbers that appear in the illustration. Example:

- Loosen the screw (1).
- Lever (2) ...

In addition to the operating instructions, this manual may contain paragraphs that require your special attention. Such paragraphs are marked with the following symbols and signal words:

### **DANGER**

Indicates a hazardous situation that, if not avoided, will result in death or serious injury.

### **WARNING**

Indicates a hazardous situation that, if not avoided, could result in death or serious injury.

### **NOTICE**

Indicates a risk of property damage, including damage to the machine or its individual components.

### Engineering Improvements

STIHL's philosophy is to continually improve all of its products. As a result, engineering changes and improvements are made from time to time. Therefore, some changes, modifications and improvements may not be covered in this manual. If the operating characteristics or the appearance of your machine differs from those described in this manual, please contact your STIHL dealer or the STIHL distributor for your area for assistance.

## Safety Precautions and Working Techniques



Because a KombiEngine equipped with a power scythe KombiTool is a high-speed, fast-cutting power tool with sharp cutting blades, special safety precautions must be observed to reduce the risk of personal injury.



It is important that you read, fully understand and observe the following safety precautions and warnings. Read the instruction manuals and the safety precautions of your KombiEngine and KombiTool periodically. Careless or improper use may cause serious or fatal injury.

Have your STIHL dealer show you how to operate your power tool. Observe all applicable local safety regulations, standards and ordinances.

### **WARNING**

Do not lend or rent your power tool without the instruction manuals of your KombiEngine and KombiTool. Be sure that anyone using it understands the information contained in these manuals.

### **WARNING**

The use of this machine may be hazardous. If the cutting tool comes in contact with your body, it will cut you.

Use your KombiEngine equipped with the power scythe KombiTool only for cutting grass, weeds, hedges, shrubs, scrub, bushes and similar material.

### **WARNING**

Do not use it for other purposes, since misuse may result in personal injury or property damage, including damage to the machine.

### **WARNING**

Minors should never be allowed to use this power tool. Bystanders, especially children, and animals should not be allowed in the area where it is in use.

### **WARNING**

To reduce the risk of injury to bystanders and damage to property, never let your power tool run unattended. When it is not in use (e.g. during a work break), shut it off and make sure that unauthorized persons do not use it.

Most of these safety precautions and warnings apply to the use of all STIHL power scythes. Different models may have different parts and controls. See the appropriate section of your KombiEngine and KombiTool instruction manuals for a description of the controls and the function of the parts of your model.

Safe use of a power tool involves

1. the operator
2. the power tool
3. the use of the power tool.

## THE OPERATOR

### Physical Condition

You must be in good physical condition and mental health and not under the influence of any substance (drugs, alcohol, etc.) which might impair vision, dexterity or judgment. Do not operate this machine when you are fatigued.

### **WARNING**

Be alert – if you get tired, take a break. Tiredness may result in loss of control. Working with any power tool can be strenuous. If you have any condition that might be aggravated by strenuous work, check with your doctor before operating this machine.

### Proper Clothing

### **WARNING**

To reduce the risk of injury, the operator should wear proper protective apparel.

**! WARNING**



To reduce the risk of injury to your eyes never operate your power tool unless wearing goggles or properly fitted protective glasses with adequate top and side protection complying with ANSI Z87 "+" (or your applicable national standard). To reduce the risk of injury to your face STIHL recommends that you also wear a face shield or face screen over your goggles or protective glasses.

Wear an approved safety hard hat to reduce the risk of injury to your head when there is a danger of head injuries.

Power tool noise may damage your hearing. Wear sound barriers (ear plugs or ear muffers) to protect your hearing. Continual and regular users should have their hearing checked regularly.

Be particularly alert and cautious when wearing hearing protection because your ability to hear warnings (shouts, alarms, etc.) is restricted.



Always wear heavy duty work gloves (e.g. made of leather or other wear resistant material) when handling the cutting attachment. Heavy-duty, nonslip gloves improve your grip and help to protect your hands.



Clothing must be sturdy and snug-fitting, but allow complete freedom of movement. Wear long pants made of heavy material to help protect your legs. Do not wear shorts, sandals or go barefoot.

Avoid loose-fitting jackets, scarfs, neckties, jewelry, flared or cuffed pants, unconfined long hair or anything that could become caught on branches, brush or the moving parts of the unit. Secure hair so it is above shoulder level.



Good footing is very important. Wear sturdy boots with nonslip soles. Steel-toed safety boots are recommended.

For further instructions on proper clothing see the safety precautions in the instruction manual of the KombiEngine you are using.

---

## THE POWER TOOL (KOMBIENGINE EQUIPPED WITH POWER SCYTHER KOMBITOOL)

---

For illustrations and definitions of the power tool parts see the chapter on "Main Parts."

**! WARNING**

Never modify this power tool in any way. Only attachments supplied by STIHL or expressly approved by STIHL for use with the specific STIHL KombiEngine model are authorized. Although certain unauthorized attachments are useable with STIHL power tools, their use may, in fact, be extremely dangerous.

If this tool is subjected to unusually high loads for which it was not designed (e.g. heavy impact or a fall), always check that it is in good condition before continuing work. Check in particular that the controls and safety devices are working properly. Do not continue operating this machine if it is damaged. In case of doubt, have it checked by your STIHL servicing dealer.

---

## THE USE OF THE POWER TOOL (KOMBIENGINE EQUIPPED WITH POWER SCYTHER KOMBITOOL)

---

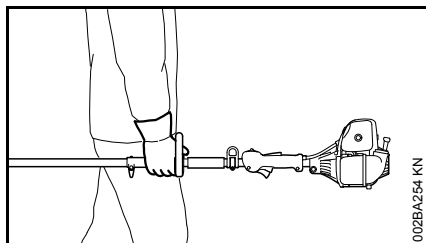
### Transporting the Power Tool

**! WARNING**

To reduce the risk of injury from blade contact, never carry or transport your power tool with the cutting blades moving.

**! WARNING**

Always switch off the engine and fit the scabbard over the cutting blades before transporting the power tool over long distances.



It may be carried only in a horizontal position. Grip the shaft in a manner that the machine is balanced horizontally. Keep the hot muffler away from your body and the cutting attachment behind you.

**! WARNING**

To reduce the risk of burn injury, do not touch hot parts of the machine and the gear housing when they are hot.

**! WARNING**

When transporting it in a vehicle, properly secure it to prevent turnover, fuel spillage and damage to the unit.

On machines with an adjustable cutter bar: Make sure the cutter bar is secured in position. See chapter in this instruction manual entitled "Adjusting the Cutter Bar." On machines with a transport position: Move cutter bar to transport position and secure.

**Before Starting****! WARNING**

Always check your power tool for proper condition and operation before starting. Never attempt to modify the controls or safety devices.

**! WARNING**

Never operate your power tool if it is damaged, improperly adjusted or maintained, or not completely or securely assembled.

**! WARNING**

The cutting attachment must be properly tightened and in safe operating condition. Inspect for loose parts (nuts, screws, etc.) and for cracked, bent, warped or damaged blades. Regularly check the condition of the cutting blades – with the engine stopped! Replace damaged cutting blades before using the power tool. Always keep blades sharp.

Keep the handles clean and dry at all times; it is particularly important to keep them free of moisture, pitch, oil, fuel mix, grease or resin in order for you to maintain a firm grip and properly control your power tool.

STIHL recommends that you always spray the cutting blades with STIHL resin solvent before starting work – with the engine stopped! You can obtain this protective spray from your dealer. Apply generously.

Adjust harness and hand grip to suit your size before starting work. To be better prepared in case of an emergency, practice releasing the unit from the harness as quickly as possible.

**Starting**

On machines with an adjustable cutter bar: Secure the cutter bar in the starting position as described in the chapter "Starting / Stopping the Engine." If this starting position is not the desired cutting position, you will then need to carefully adjust the machine to the desired position once the engine has returned to idle and the blades are no longer moving.

On machines with a defined transport position (cutter bar folded against the drive tube): Never start the machine in the transport position, since the blades are not engaged in that position and you therefore cannot visually check to see that they will be stopped at idle when you start to adjust the cutter bar to the desired cutting position (where the blades are engaged).

Start the engine at least 10 feet (3 m) from the fueling spot, outdoors only.

For specific starting instructions, see the appropriate section of your KombiEngine and KombiTool manuals.

Place the power tool on firm ground or other solid surface in an open area. Maintain good balance and secure footing.

**! WARNING**

To reduce the risk of injury from loss of control, do not attempt to "drop start" your power tool.

**! WARNING**

To reduce the risk of injury from loss of control, be absolutely sure that the cutting tool is clear of you and all other obstructions and objects, including the ground, because when the engine starts at starting-throttle, engine speed will be fast enough for the clutch to engage and move the blades on the cutting tool.

Once the engine has started, immediately blip the throttle trigger, which should release the starting throttle and allow the engine to slow down to idle.

With the engine running only at idle, attach the power tool to the spring hook of your harness (see appropriate chapter of this manual).

**! WARNING**

Your power tool is a one-person machine. Do not allow other persons in the general work area, even when starting.

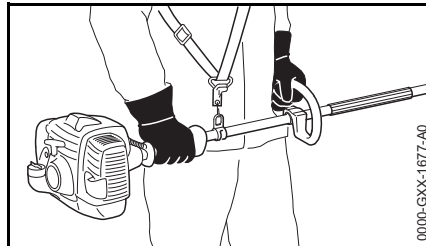
See also the Safety Precautions on Starting in the instruction manual of your KombiEngine.

**During Operation**

**Holding and Controlling the Power Tool**

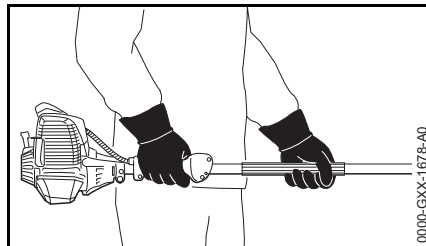
Always hold the unit firmly with both hands on the handles while you are working. Wrap your fingers and thumbs around the handles.

**Models with loop handle**



Right hand on control handle, left hand on loop handle on drive tube, even if you are left-handed. Wrap your fingers and thumbs around the handles.

**Models with handle hose**



Right hand on control handle, left hand on handle hose on drive tube, even if you are left-handed. Wrap your fingers and thumbs around the handles.

**! WARNING**



Never attempt to operate your power tool with one hand. Loss of control of the power tool resulting in serious or fatal injury may result. To reduce the risk of cut injuries, keep hands and feet away from the cutting tool. Never touch a moving cutting tool with your hand or any other part of your body.

**! WARNING**

Do not overreach. Keep proper footing and balance at all times. Special care must be taken in slippery conditions (wet ground, snow) and in difficult, overgrown terrain. Watch for hidden obstacles such as tree stumps, roots and ditches to avoid stumbling. For better footing, clear away fallen branches, scrub and cuttings. Be extremely cautious when working on slopes or uneven ground.

**! WARNING**

To reduce the risk of injury from loss of control, never work on a ladder, in a tree or any other insecure support. Never hold the machine above shoulder height.

**Working Conditions**

Operate and start your power tool only outdoors in a well-ventilated area. Operate it under good visibility and daylight conditions only. Work carefully.



**! WARNING**

If the vegetation being cut or the surrounding ground is coated with a chemical substance (such as an active pesticide or herbicide), read and follow the instructions and warnings that accompanied the substance at issue.

**! WARNING**

Inhalation of certain dusts, especially organic dusts such as mold or pollen, can cause susceptible persons to have an allergic or asthmatic reaction.

Substantial or repeated inhalation of dust and other airborne contaminants, in particular those with a smaller particle size, may cause respiratory or other illnesses. Control dust at the source where possible. Use good work practices, such as operating the unit so that the wind or operating process directs any dust raised by the power tool away from the operator. Follow the recommendations of EPA / OSHA / NIOSH and occupational and trade associations with respect to dust ("particulate matter"). When the inhalation of dust cannot be substantially controlled, i.e., kept at or near the ambient (background) level, the operator and any bystanders should wear a respirator approved by NIOSH / MSHA for the type of dust encountered.

**Operating Instructions****! WARNING**

Do not operate your power tool using the starting throttle lock, as you do not have control of the engine speed.

In the event of an emergency, switch off the engine immediately – move the slide control / stop switch / momentary stop switch to **0** or **STOP**.

See section of your KombiEngine instruction manual on the proper use of the slide control / stop switch / momentary stop switch.

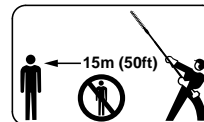
**! WARNING**

The cutting blades continue to move for a short period after the throttle trigger is released.

Accelerating the engine while the blades are blocked increases the load and will cause the clutch to slip continuously. This may result in overheating and damage to important components (e.g. clutch, polymer housing components) – which can then increase the risk of injury from the blades moving while the engine is idling.

**! WARNING**

On units with an adjustable cutter bar: Carefully adjust the cutter bar to the desired cutting position. To reduce the risk of injury, never touch the cutting blades while making adjustments. Only adjust the cutter bar when the blades are no longer moving.

**! WARNING**

The power tool has a large range. In order to reduce the risk of personal or even fatal injury to bystanders from falling objects or inadvertent contact with the moving cutting blades of your power tool always keep bystanders at least 50 feet (15 m) away when the power tool is running.

Stop the engine immediately if you are approached.

**! WARNING**

Before you start work, examine the area where you will be working for stones, glass, fence wire, metal, trash or other solid objects which could damage the cutting blades.

Take particular care when cutting next to wire fences. Do not touch the wire with the cutting blades. When working close to the ground, make sure that no sand, grit or stones get between the cutting blades.

Striking solid foreign objects such as stones, fence wire or metal could damage the cutting attachment and may cause blades to crack, chip or break. STIHL does not recommend the use of

your power tool when cutting in areas where the blades could contact such objects.

 **WARNING**

Observe the cutting blades at all times – do not cut any areas that you cannot see.

 **DANGER**



Your power tool is not insulated against electric shock. To reduce the risk of electrocution, never operate this power tool in the vicinity of any wires or cables (power, etc.) which may be carrying electric current.

 **WARNING**

If the cutting tool becomes clogged or stuck, always shut off the engine and make sure the cutting tool has stopped before cleaning. Grass, weeds, etc. should be cleaned off the cutting tool at regular intervals.

Check the cutting blades at regular short intervals during operation, or immediately if there is a noticeable change in cutting behavior:

- Shut off the engine.
- Wait until the cutting blades have come to a complete standstill.
- Check condition and tightness, look for cracks.

- Check sharpness.
- Replace damaged or dull cutting tools immediately, even if they have only superficial cracks.

 **WARNING**



The gearbox becomes hot during operation. To reduce the risk of burn injury, do not touch the gear housing when it is hot.

## **MAINTENANCE, REPAIR AND STORING**

---

 **WARNING**

Always stop the engine and make sure that the cutting attachment is stopped before doing any maintenance or repair work or cleaning the power tool. Do not attempt any maintenance or repair work not described in your KombiEngine and KombiTool instruction manuals. Have such work performed at your STIHL servicing dealer only.

Always clean dust and dirt off the machine – do not use any grease solvents for this purpose.

Spray the blades with STIHL resin solvent. Start and run the engine briefly so that the solvent is evenly distributed.

 **WARNING**

Use only identical STIHL replacement parts for maintenance and repair. Use of non-STIHL parts may cause serious or fatal injury.

Wear gloves when handling or performing maintenance on blades.

 **WARNING**

Never repair damaged cutting attachments by welding, straightening or modifying the shape. This may cause parts of the cutting attachment to come off and result in serious or fatal injuries.

Keep blades sharp. Tighten all nuts, bolts and screws, except the carburetor adjustment screws, after each use.

Do not clean your machine with a pressure washer. The solid jet of water may damage parts of the machine.

Store the power tool in a dry and high or locked location out of reach of children.

## Using the Unit

Do not use your power scythe during other people's rest periods.

The power scythe is used at ground level. As its blades operate like a mower bar, the unit is ideal for cutting scrub, thicket, reed, wild growth and hard grasses. The power scythe is particularly suitable for applications in busy areas, such as traffic islands or parks, because cuttings are not caught and thrown by the blades.

## Disposal

Do not throw cuttings into the garbage can – they can be composted.

## Preparations

- Set cutter bar to required angle.
- Remove the blade scabbard.
- Start the engine.
- Put on the shoulder strap.
- Attaching Machine to Shoulder Strap

## Working Technique



Working position and method are the same as for a brushcutter: Sweep the cutter bar to and fro in an arc just above the ground.

## Approved KombiEngines

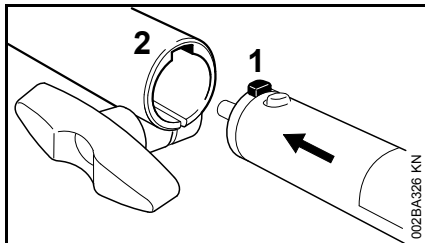
### KombiEngines

Only use KombiEngines supplied or explicitly approved by STIHL for use with the attachment.

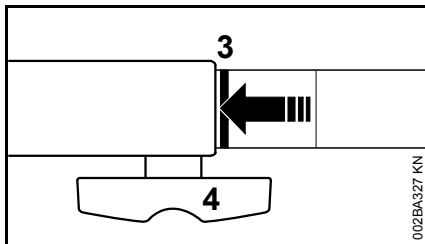
This KombiTool may be operated only in combination with the following KombiEngines:

KM 56 R, KM 94 R, KM 111 R,  
KM 131 R, KMA 130 R, KMA 135 R

## Mounting the KombiTool



- Push the lug (1) on the drive tube into the slot (2) in the coupling sleeve as far as stop.



When correctly installed, the red line (3) (arrow point) must be flush with the end of the coupling sleeve.

- Tighten down the star knob (4) **firmly**.

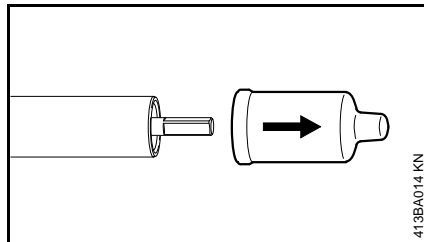
## Removing the KombiTool

- Reverse the above sequence to remove the drive tube.

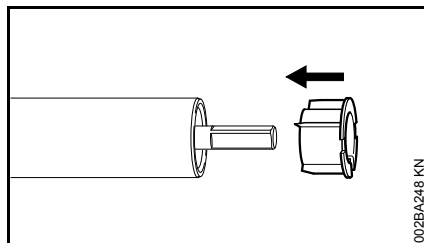
## Assembling the Unit

### Removing the Protective Cap

If a cap is fitted on the end of the KombiTool's or basic power tool's drive tube:



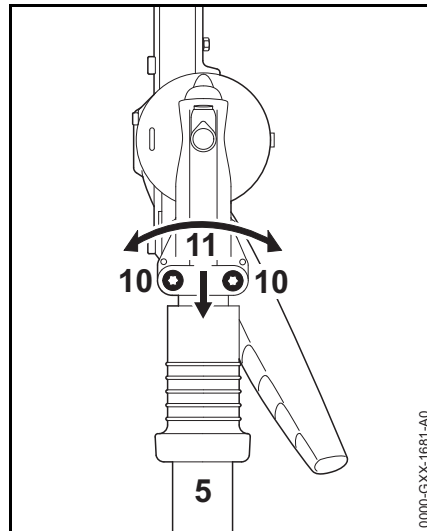
- Pull the protective cap off the end of the drive tube and keep it in a safe place.



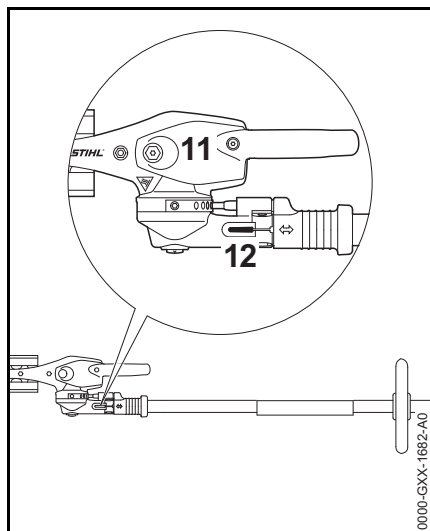
If the plug comes out of the drive tube when you pull off the cap:

- Push the plug into the drive tube as far as stop.

## Mounting the Gearbox



- Loosen the clamp screws (10).
- Push the gearbox (11) onto the drive tube (5), turn the gearbox (11) back and forth as necessary.

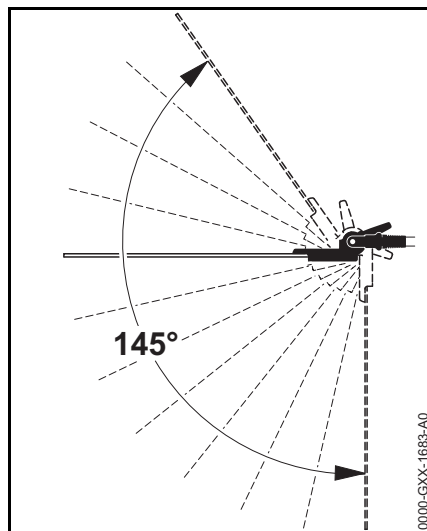


Once the end of the drive tube is inserted beyond the slot in the clamp (12):

- Push the gearbox (11) fully home as far as stop.
- Tighten down the clamp screws moderately.
- Line up the gearbox (11) with the powerhead.
- Tighten down the clamp screws firmly.

## Adjusting the Cutter Bar

### Angle Adjuster - 145°



The angle of the cutter bar can be adjusted upwards in 4 stages from 0° (straight) to 55°, and downwards in 7 stages from 0° to 90° (right angle facing down). There are therefore 12 possible working positions.

### **!** WARNING

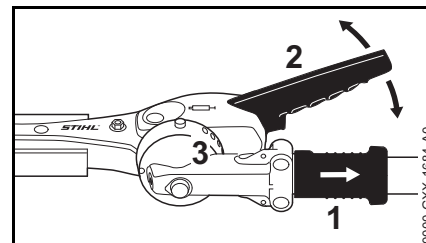
To reduce the risk of injury, carry out the adjustment only when the cutting blades are at a standstill – engine at idle speed.

### **!** WARNING

The gearbox gets hot during operation. To reduce the risk of burn injury, do not touch the gearbox.

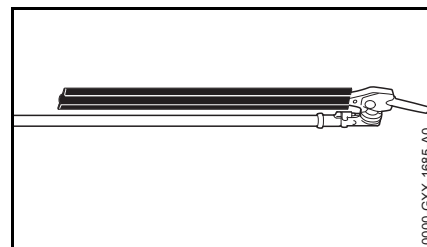
### **!** WARNING

To reduce the risk of injury, never touch the blades while making adjustments.



- Pull back the sliding sleeve (1) and use the lever (2) to adjust the joint by one or several holes.
- Release the sliding sleeve (1) and make sure the lock pin engages the quadrant (3).

### Transport Position



The cutter bar can be folded flat against the drive tube and locked in position to save space during transportation.

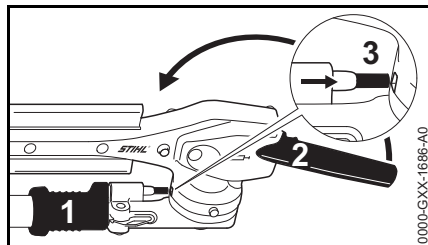
### **!** WARNING

To reduce the risk of injury, always shut off the engine – depress stop switch – and fit the blade scabbard before

moving the cutter bar to the transport position or from the transport position to the normal working position.

**! WARNING**

The gearbox gets hot during operation. To reduce the risk of burn injury, do not touch the gearbox.

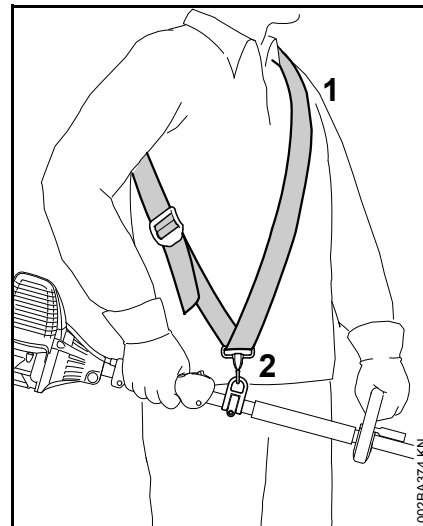


- Shut off the engine.
- Fit the blade scabbard.
- Pull back the sliding sleeve (1) and use the lever (2) to swing the joint upwards – in direction of drive tube – until the cutter bar is flat against the drive tube.
- Release the sliding sleeve (1) and make sure the lock pin engages the quadrant (3).

## Fitting the Harness

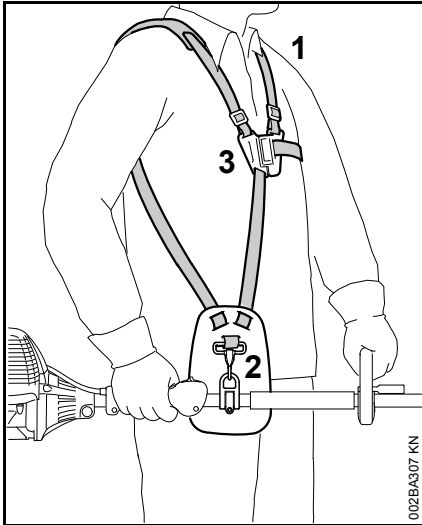
The type and style of the harness and carabiner (spring hook) depend on the market.

### Shoulder Strap



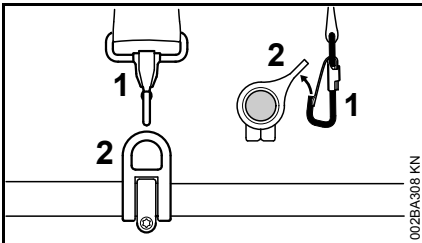
- Put on the shoulder strap (1).
- Adjust the length of the strap so that the carabiner (2) is about a hand's width below your right hip.

## Full Harness



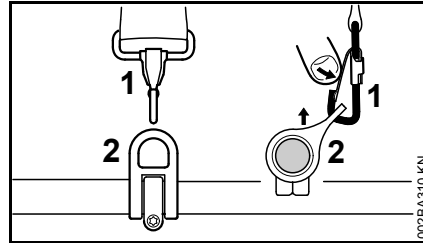
- Put on the full harness (1).
- Adjust the length of the strap so that the carabiner (2) is about a hand's width below your right hip.
- Close the locking plate (3).

## Attaching Machine to Harness



- Attach the carabiner (1) to the carrying ring (2) on the drive tube – hold the carrying ring steady.

## Disconnecting Machine from Harness



- Press down the bar on the carabiner (1) and pull the carrying ring (2) out of the carabiner.

## Throwing Off the Machine



### WARNING

The machine must be quickly thrown off in the event of imminent danger. Practice removing and putting down the machine as you would in an emergency. To avoid damage, do not throw the machine to the ground when practicing.

Practice quickly detaching the power tool from the carabiner as described under "Disconnecting Machine from Harness".

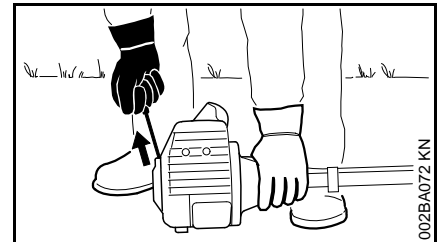
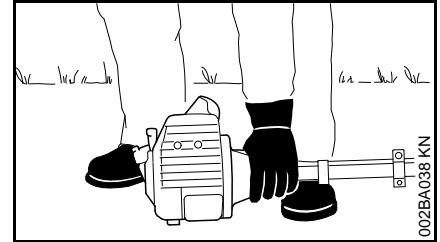
If you are using a shoulder strap: Practice slipping the strap off your shoulder.

If you are using a full harness: Practice quickly opening the locking plate and slipping the harness straps off your shoulders.

## Starting / Stopping the Engine

### Starting the Engine

Always follow the operating instructions for the KombiEngine and basic power tool.



- Place the machine on the ground so that it rests securely on the engine support and the gearbox.
- On models with an adjustable cutter bar: Set the cutter bar to the straight (0°) position.
- Remove the blade scabbard.

**To reduce the risk of accidents**, check that the cutting blades are not touching the ground of any other obstacles.

- If necessary, rest the gearbox on a raised support (e.g. mound, brick or something similar).
- Make sure you have a firm footing, either standing, stooping or kneeling.
- Hold the machine with you left hand and press it down **firmly** – do not touch the controls on the control handle – see KombiEngine or basic power tool instruction manual.

### NOTICE

Do not stand or kneel on the drive tube.

### WARNING

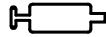
The cutting attachment may begin to move as soon as the engine starts. For this reason, blip the throttle after starting – the engine returns to idling speed.

The starting procedure is now as described in the instruction manual of the KombiEngine or basic power tool you are using.

### Stopping the Engine

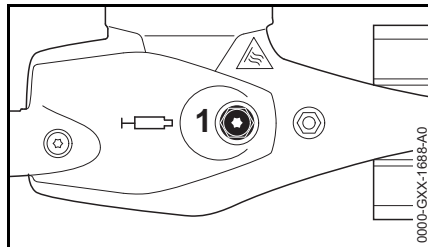
- See KombiEngine or basic power tool instruction manual.

## Lubricating the Gearbox



### Blade Drive Gear

Lubricate the blade drive gear with STIHL gear lubricant for hedge trimmers – see "Special Accessories".



- Check the lubricant level at regular intervals of about every 25 hours of operation. Unscrew the filler plug (1) – if no grease can be seen on the inside of the filler plug, screw the tube of grease into the filler hole.
- Squeeze up to 10 g (2/5 oz) grease into the gearbox.

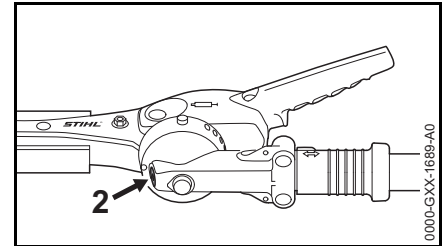
### NOTICE

Do not completely fill the gearbox with grease.

- Unscrew the tube of grease from the filler hole.
- Refit the filler plug and tighten it down firmly.

### Angle Drive Gear

Lubricate the angle drive gear with STIHL gear lubricant for brushcutters (special accessory).



- Check the lubricant level at regular intervals of about every 25 hours of operation. Unscrew the filler plug (2) – if no grease can be seen on the inside of the filler plug, screw the tube of grease into the filler hole.
- Squeeze up to 5 g (1/5 oz) grease into the gearbox.

### NOTICE

Do not completely fill the gearbox with grease.

- Unscrew the tube of grease from the filler hole.
- Refit the filler plug and tighten it down firmly.



## Storing the Machine

For periods of about 3 months or longer

- Clean the cutting blades, check condition and spray them with STIHL resin solvent.
- Fit the blade scabbard.
- If the KombiTool is removed from the KombiEngine and stored separately: Fit the protective cap on the drive tube to protect it from dust and dirt.
- Store the machine in a dry and secure location. Keep out of the reach of children and other unauthorized persons.

## Maintenance and Care

The following intervals apply to normal operating conditions only. If your daily working time is longer or operating conditions are difficult (very dusty work area, etc.), shorten the specified intervals accordingly.

### All accessible screws and nuts

- Check and retighten if necessary (not screws and nuts on cutting blades)

### Cutting blades

- Visual inspection before starting work
- Resharpener as necessary
- Replace if damaged

### Gearbox lubrication

- Check before starting work
- Replenish as necessary

### Safety labels

- Replace illegible safety labels

## Sharpening Instructions

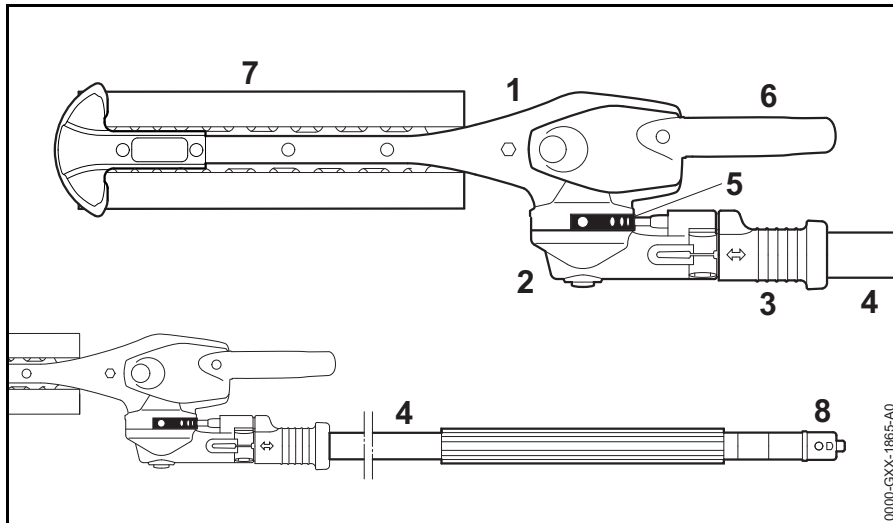
When cutting performance and behavior begin to deteriorate, i.e. blades frequently snag on branches: Resharpener the cutting blades.

It is best to have the cutting blades resharpened by a dealer on a workshop sharpener. STIHL recommends a STIHL servicing dealer.

### **NOTICE**

Do not operate your machine with dull or damaged cutting blades. This may cause overload and will give unsatisfactory cutting results.

## Main Parts



- 1 Blade Drive Gear
- 2 Drive Tube
- 3 Sliding Sleeve
- 4 Angle Drive
- 5 Adjusting Lever
- 6 Quadrant
- 7 Blade Scabbard
- 8 Sleeve

## Definitions

---

- 1 Blade Drive Gear**  
Converts rotary movement of angle drive into reciprocating movement of cutting blades.
- 2 Drive Tube**  
Encloses and protects the drive shaft between the coupling sleeve and gearbox.
- 3 Sliding Sleeve**  
Locks and unlocks the cutter bar adjusting mechanism.
- 4 Angle Drive**  
Transmits rotary motion of drive shaft to the blade drive gear.
- 5 Adjusting Lever**  
Used to set cutter bar to the required angle.
- 6 Quadrant**  
Locks the cutter bar in the required position.
- 7 Blade Scabbard**  
Covers cutting blades when hedge trimmer is not in use.
- 8 Sleeve**  
Locates drive tube in coupling sleeve.

## Specifications

### Cutting blades

---

Type:	Double-edged for bidirectional cutting
Cutting length:	250 mm (0.843 in)
Tooth spacing:	34 mm (1.339 in)
Tooth height:	22 mm (0.866 in)
Sharpening angle:	45° to horizontal


### Weight

---

FH-KM:	2.1 kg (4.6 lbs)
--------	------------------

## Maintenance and Repairs

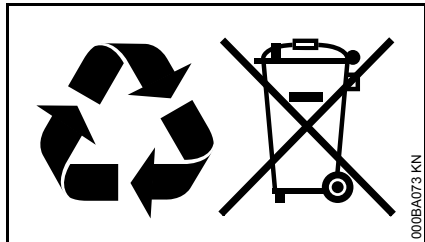
Users of this unit should carry out only the maintenance operations described in this manual. STIHL recommends that other repair work be performed only by authorized STIHL servicing dealers using genuine STIHL replacement parts.

Genuine STIHL parts can be identified by the STIHL part number, the **STIHL** logo and, in some cases, by the STIHL parts symbol . The symbol may appear alone on small parts.

**For repairs of any component of this unit's air emissions control system, please refer to the air emissions systems warranty in this manual.**

## Disposal

Observe all country-specific waste disposal rules and regulations.



STIHL products must not be thrown in the garbage can. Take the product, accessories and packaging to an approved disposal site for environment-friendly recycling.

Contact your STIHL servicing dealer for the latest information on waste disposal.

## Trademarks

### STIHL Registered Trademarks

STIHL®

**STIHL**®



The color combination orange-grey (U.S. Registrations #2,821,860; #3,010,057, #3,010,058, #3,400,477; and #3,400,476)



AutoCut®

FARM BOSS®

iCademy®

MAGNUM®

MasterWrench Service®

MotoMix®

OILOMATIC®

ROCK BOSS®

STIHL Cutquik®

STIHL DUROMATIC®

STIHL Quickstop®

STIHL ROLLOMATIC®

STIHL WOOD BOSS®

TIMBERSPORTS®

WOOD BOSS®

YARD BOSS®

### Some of STIHL's Common Law Trademarks



4-MIX™

BioPlus™

Easy2Start™

EasySpool™

ElastoStart™

Ematic™

FixCut™

IntelliCarb™

Master Control Lever™

Micro™

Pro Mark™

Quiet Line™

STIHL M-Tronic™

STIHL OUTFITTERS ™

STIHL PICCO ™

STIHL PolyCut ™

STIHL PowerSweep ™

STIHL Precision Series ™

STIHL RAPID ™

STIHL SuperCut ™

TapAction ™

TrimCut ™

This listing of trademarks is subject to change.

Any unauthorized use of these trademarks without the express written consent of

ANDREAS STIHL AG & Co. KG,  
Waiblingen is strictly prohibited.

## Contenido

Sistema KombiSystem	21
Acerca de este manual de instrucciones	21
Medidas de seguridad y técnicas de manejo	22
Uso	29
Motores KombiEngine aprobados	29
Instalación del KombiTool	30
Armado de la máquina	30
Ajuste de la barra de corte	31
Uso de la correa para hombro	32
Arranque / parada del motor	34
Lubricación de la caja de engranajes	34
Almacenamiento de la máquina	35
Información para mantenimiento	35
Instrucciones de afilado	36
Componentes importantes	37
Especificaciones	38
Información de reparación	38
Desecho	39
Marcas comerciales	39

Permita que solamente las personas que comprenden plenamente la materia tratada en los manuales del motor KombiEngine y de la motoguadaña KombiTool manejen esta herramienta motorizada combinada.

Para obtener el rendimiento y satisfacción máximos de la herramienta KombiTool de STIHL, es importante que lea, obedezca y comprenda las precauciones de seguridad y las instrucciones de uso y mantenimiento dadas en el capítulo "Precauciones de seguridad y técnicas de uso", antes de usar la KombiTool. Para obtener más información, puede visitar el sitio [www.stihlusa.com](http://www.stihlusa.com).

Comuníquese con el concesionario o distribuidor de STIHL si no se entiende alguna de las instrucciones dadas en los dos manuales.

### ADVERTENCIA

Dado que este motor KombiEngine equipado con motoguadaña KombiTool tiene un accesorio de corte de gran velocidad, es necesario tomar medidas especiales de seguridad para reducir el riesgo de lesiones. El uso descuidado o inapropiado puede causar lesiones graves e incluso la muerte.

# STIHL

## Sistema KombiSystem

Con el sistema KombiSystem de STIHL, varios motores KombiEngine y accesorios KombiTool pueden combinarse para formar una herramienta motorizada. En este manual de instrucciones la unidad formada por el motor KombiEngine y la herramienta KombiTool se identifica como la herramienta motorizada.

Por lo tanto, para esta herramienta motorizada es necesario usar juntos los manuales de instrucciones para el motor KombiEngine y la herramienta KombiTool.

Siempre lea y entienda los dos manuales de instrucciones antes de usar la herramienta motorizada por primera vez y guarde los mismos en un lugar seguro para referencia futura.

## Acerca de este manual de instrucciones

### Pictogramas

Todos los pictogramas que se encuentran fijados o grabados en la máquina se muestran y explican en este manual.

### Símbolos en el texto

Muchas de las instrucciones de uso y seguridad vienen acompañadas de ilustraciones.

Los pasos individuales o procedimientos descritos en el manual pueden estar señalados en diferentes maneras:

- Se usa un punto para denotar un paso o procedimiento.

Una descripción de un paso o procedimiento que se refiere directamente a una ilustración puede contener números de referencia que aparecen en la ilustración. Ejemplo:

- Suelte el tornillo (1).
- Palanca (2)...

Además de las instrucciones de uso, en este manual pueden encontrarse párrafos a los que usted debe prestar atención especial. Tales párrafos están marcados con los símbolos y las palabras identificadoras:

### PELIGRO

Identifica una situación de peligro que, de no evitarse, causará lesiones graves o mortales.

### ADVERTENCIA

Identifica una situación de peligro que, de no evitarse, podría causar lesiones graves o mortales.

### *INDICACIÓN*

Indica el riesgo de daños a la propiedad, incluidos la máquina o sus componentes.

### Mejoramientos técnicos

La filosofía de STIHL es mejorar continuamente todos sus productos. Como resultado de ello, periódicamente se introducen cambios de diseño y mejoras. Por lo tanto, es posible que algunos cambios, modificaciones y mejoras no se describan en este manual. Si las características de funcionamiento o la apariencia de su máquina difieren de las descritas en este manual, comuníquese con el concesionario STIHL para obtener la ayuda que requiera.

## Medidas de seguridad y técnicas de manejo



Dado que el motor KombiEngine equipado con una motoguadaña KombiTool es una herramienta de corte motorizada, con cuchillas afiladas, que funciona a gran velocidad, es necesario tomar medidas especiales de seguridad para reducir el riesgo de lesiones personales.



Es importante que usted lea, comprenda bien y respete las siguientes advertencias y medidas de seguridad. Lea periódicamente los manuales de instrucciones y las instrucciones de seguridad de su motor KombiEngine y accesorio KombiTool. El uso descuidado o inadecuado puede causar lesiones graves o incluso la muerte.

Pida a su concesionario STIHL que le enseñe el manejo de la herramienta motorizada. Respete todas las disposiciones, reglamentos y normas de seguridad locales del caso.

### ADVERTENCIA

No preste ni alquile nunca su herramienta motorizada sin entregar los manuales de instrucciones de su motor KombiEngine y el accesorio KombiTool.

Asegúrese que todas las personas que utilicen la máquina lean y comprendan la información contenida en estos manuales.

### ADVERTENCIA

El uso de esta máquina puede ser peligroso. Si la herramienta de corte llega a tener contacto con parte alguna de su cuerpo, le causará cortaduras.

Utilice su KombiEngine equipado con la motoguadaña KombiTool solamente para cortar pasto, malezas, arbustos, setos, plantas, matorrales y materiales similares.

### ADVERTENCIA

No debe usarse para ningún otro propósito ya que el uso indebido puede resultar en lesiones personales o daños a la propiedad, incluso daños de la máquina.

### ADVERTENCIA

Nunca se debe permitir a los niños que usen esta herramienta motorizada. No se debe permitir la proximidad de otras personas, especialmente de niños, ni de animales en los lugares donde se esté utilizando la máquina.

### ADVERTENCIA

Para reducir el riesgo de ocasionar lesiones a las personas en la cercanía y daños a la propiedad, nunca deje la herramienta motorizada en marcha desatendida. Cuando no está en uso (por ejemplo durante el descanso), apáguela y asegúrese que las personas no autorizadas no puedan usarla.

Las medidas de seguridad y avisos contenidos en este manual se refieren al uso de todas las guadañas motorizadas STIHL. Los distintos modelos pueden contar con piezas y controles diferentes. Vea la sección correspondiente de sus manuales de instrucciones del motor KombiEngine y accesorio KombiTool para tener una descripción de los controles y la función de los componentes de su modelo.

El uso seguro de una herramienta motorizada atañe a

1. el operador
2. la herramienta motorizada
3. el uso de la herramienta motorizada.

## EL OPERADOR

### Condición física

Usted debe estar en buenas condiciones físicas y psíquicas y no encontrarse bajo la influencia de ninguna sustancia (drogas, alcohol, etc.) que le pueda restar visibilidad, destreza o juicio. No maneje esta máquina cuando está fatigado.

### ADVERTENCIA

Esté alerta. Si se cansa, tómese un descanso. El cansancio puede provocar una pérdida del control. El uso de cualquier herramienta motorizada es fatigoso. Si usted padece de alguna dolencia que pueda ser agravada por la fatiga, consulte a su médico antes de utilizar esta máquina.



**Vestimenta adecuada****! ADVERTENCIA**

Para reducir el riesgo de lesiones el operador debe usar el equipo protector adecuado.

**! ADVERTENCIA**

Para reducir el riesgo de lesionarse los ojos, nunca maneje la herramienta motorizada si no tiene puestas gafas o anteojos de seguridad bien ajustados con una protección adecuada en las partes superior y lateral que satisfagan la norma ANSI Z87 "+" (o la norma nacional correspondiente). Para reducir el riesgo de lesionarse la cara, STIHL recomienda usar también una careta o protector facial adecuado sobre las gafas o anteojos de seguridad.

Utilice un casco de seguridad aprobado para reducir el riesgo de lesionarse la cabeza en caso de existir tal tipo de peligro.

El ruido de la herramienta motorizada puede dañar los oídos. Siempre use amortiguadores del ruido (tapones u orejeras) para protegerse los oídos. Los usuarios constantes y regulares deben someterse con frecuencia a un examen o control auditivo.

Esté especialmente alerta y tenga cuidado cuando se usa protectores de oídos, ya que los mismos reducen la posibilidad de oír señales de advertencia (gritos, alarmas, etc.).



Siempre use guantes gruesos (por ejemplo, fabricados de cuero u otro material resistente al desgaste) cuando manipule la herramienta de corte. Los guantes gruesos y antideslizantes mejoran el manejo y ayudan a proteger las manos.



La ropa debe ser de confección fuerte y ajustada, pero no tanto que impida la completa libertad de movimiento. Use pantalones largos hechos de un material grueso para protegerse las piernas. No use pantalones cortos, sandalias o pies descalzos.

Evite el uso de chaquetas sueltas, bufandas, corbatas, joyas, pantalones acampanados o con vueltas, pelo largo suelto o cualquier cosa que pueda engancharse en las ramas, matorrales o piezas en movimiento de la máquina. Sujétese el pelo de modo que quede sobre los hombros.



Es muy importante tener una buena superficie de apoyo para los pies. Póngase botas gruesas con suela antideslizante. Recomendamos las botas de seguridad con puntera de acero.

Para instrucciones adicionales acerca de la ropa adecuada, vea las precauciones de seguridad, en el manual de instrucciones del motor KombiEngine que está usando.

## LA HERRAMIENTA MOTORIZADA (KOMBIENGINE PROVISTA CON MOTOGUADAÑA KOMBITOO)

Para las ilustraciones y definiciones de los componentes de la herramienta motorizada, vea el capítulo sobre "Piezas principales".

### **! ADVERTENCIA**

Nunca modifique, de ninguna manera, esta herramienta motorizada. Utilice únicamente los accesorios suministrados por STIHL o expresamente autorizados por STIHL para usarse con el modelo específico de motor KombiEngine de STIHL. Si bien es posible conectar a la herramienta motorizada de STIHL ciertos accesorios no autorizados, su uso puede ser, en la práctica, extremadamente peligroso.

Si la máquina experimenta cargas excesivas para las cuales no fue diseñada (por ejemplo, impactos severos o una caída), siempre asegúrese que esté en buenas condiciones antes de seguir con el

trabajo. Compruebe específicamente que los controles y dispositivos de seguridad funcionen correctamente. No siga manejando esta máquina si está dañada. En caso de dudas, pida que el concesionario de servicio de STIHL la revise.

## EL USO DE LA HERRAMIENTA MOTORIZADA (MOTOR KOMBIENGINE EQUIPADO CON MOTOGUADAÑA KOMBITOO)

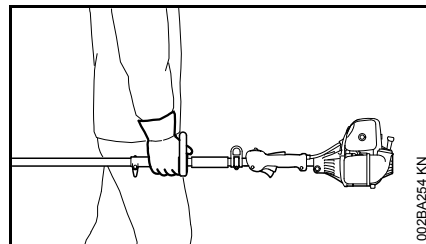
### Transporte de la herramienta motorizada

#### **! ADVERTENCIA**

Para reducir el riesgo lesiones debido al contacto con las cuchillas, nunca transporte la herramienta motorizada con las cuchillas en marcha.

#### **! ADVERTENCIA**

Siempre apague el motor y coloque la funda sobre las cuchillas de corte antes de transportar la herramienta motorizada por una distancia considerable.



Puede acarrearla solamente en posición horizontal. Agarre el eje de una manera que mantenga la máquina

equilibrada horizontalmente. Mantenga el silenciador caliente lejos de su cuerpo y el accesorio de corte detrás de usted.

#### **! ADVERTENCIA**

Para reducir el riesgo de lesiones por quemaduras, no toque las piezas de la máquina ni la caja de engranajes cuando están calientes.

#### **! ADVERTENCIA**

Cuando transporte la máquina en un vehículo, sujétela firmemente para impedir su vuelco, el derrame de combustible y el daño a la máquina.

En máquinas con barra de corte ajustable: Asegúrese que la barra de corte esté fijada en su lugar. Vea el capítulo "Ajuste del ángulo de la barra de corte" en este manual de instrucciones. En máquinas con posición de transporte: Mueva la barra de corte a la posición de transporte y asegúrela en esa posición.

### Antes de arrancar

#### **! ADVERTENCIA**

Siempre revise que la herramienta motorizada esté en buenas condiciones y funcione correctamente antes de arrancarla. Nunca intente modificar los controles o los dispositivos de seguridad.

#### **! ADVERTENCIA**

No maneje nunca una herramienta motorizada que esté dañada, mal ajustada o mantenida o que no fue armada completa y debidamente.

## ADVERTENCIA

El accesorio de corte debe estar correctamente apretado y en buenas condiciones de trabajo. Busque piezas sueltas (tuercas, tornillos, etc.) y cuchillas agrietadas, dobladas, deformadas o dañadas. Revise periódicamente la condición de las cuchillas - ¡con el motor apagado! Sustituya las cuchillas dañadas antes de usar la herramienta motorizada. Mantenga las cuchillas siempre afiladas.

Mantenga los mangos limpios y secos en todo momento; es particularmente importante mantenerlos libres de humedad, aceite, combustible, grasa o resinas para garantizar que la máquina pueda empuñarse firmemente para mantenerla bajo control seguro.

STIHL recomienda que siempre rocíe las cuchillas con el disolvente de resina STIHL antes de empezar a trabajar - ¡con el motor apagado! Este producto protector puede obtenerse a través del concesionario. Aplique cantidades abundantes.

Ajuste el arnés y la empuñadura de modo correspondiente a su estatura antes de empezar a trabajar. Para prepararse para emergencias, practique la liberación rápida de la unidad del arnés.

### Arranque

En máquinas con barra de corte ajustable: Fije la barra de corte en la posición de arranque, de la manera descrita en el capítulo "Arranque / parada del motor". Si la posición de arranque no es la posición de corte

deseada, será necesario ajustar cuidadosamente la máquina para llegar a la posición deseada cuando el motor está a marcha en vacío y las cuchillas están paradas.

En las máquinas con una posición de transporte especificada (barra de corte plegada contra el tubo de mando): Nunca arranque la máquina en la posición de transporte. En esta posición las cuchillas no están engranadas y, por lo tanto, es imposible verificar visualmente que las mismas se pararán cuando el motor está a marcha en vacío cuando se empieza el ajuste de la barra de corte para llegar a la posición de corte deseada (con las cuchillas engranadas).

Arranque el motor solamente al aire libre, por lo menos 3 m (10 pies) del lugar en que lo haya llenado.

Para las instrucciones específicas de arranque, vea la sección correspondiente de los manuales del motor KombiEngine y accesorio KombiTool.

Coloque la herramienta motorizada sobre suelo firme u otra superficie sólida en un lugar abierto. Mantenga el equilibrio y elija un buen punto de apoyo para los pies.

## ADVERTENCIA

Para reducir el riesgo de sufrir lesiones causadas por la pérdida de control, no intente arrancar el motor de la herramienta "por lanzamiento".

## ADVERTENCIA

Para reducir el riesgo de lesiones debido al contacto con las cuchillas, esté absolutamente seguro que la herramienta de corte se encuentra lejos de su cuerpo y de todas las obstrucciones y objetos, incluido el suelo, porque al arrancar el motor acelerado, su velocidad será lo suficientemente rápida para que el embrague se engrane y mueva la herramienta de corte.

Tan pronto arranque, accione inmediatamente por un breve momento el gatillo de aceleración para desconectarlo de la posición de arranque y permitir que el motor se desacelere a la marcha en vacío.

Con el motor funcionando a marcha en vacío solamente, enganche la herramienta motorizada al gancho de resorte de su arnés (vea el capítulo correspondiente en este manual).

## ADVERTENCIA

Su herramienta motorizada es una máquina que debe ser manejada por solamente una persona. No deje que otras personas estén en el lugar de trabajo, aun durante el arranque.

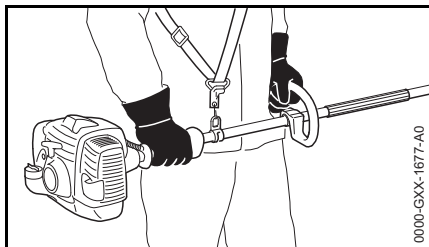
Vea también las Precauciones de seguridad de arranque en el manual de instrucciones del motor KombiEngine.

## Durante el funcionamiento

### Sujeción y control de la herramienta motorizada

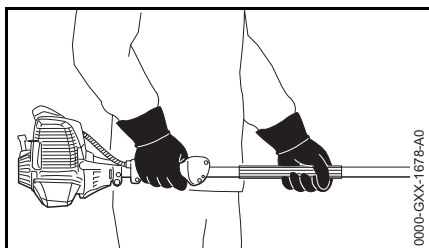
Al trabajar, siempre sujete la máquina firmemente con ambas manos en los mangos. Cierre firmemente los dedos y pulgares sobre los mangos.

### Modelos con mango tórico



Coloque su mano derecha en el mango de control, la izquierda en el mango tórico del tubo de mando, aun si usted es zurdo. Cierre firmemente los dedos y pulgares sobre los mangos.

### Máquinas con manguera de mango



Coloque su mano derecha en el mango de control, la izquierda en la manguera del tubo de mando, aun si usted es zurdo. Cierre firmemente los dedos y pulgares sobre los mangos.

### ! ADVERTENCIA



Nunca intente manejar la herramienta motorizada con una sola mano. La pérdida de control de la herramienta motorizada puede ocasionar lesiones graves o mortales. Para reducir el riesgo de lesionarse, mantenga las manos y los pies alejados de la herramienta de corte. No toque nunca con las manos ni con cualquier parte del cuerpo una herramienta de corte en movimiento.

### ! ADVERTENCIA

No trate de alcanzar más lejos de lo debido. Mantenga los pies bien apoyados y equilibrados en todo momento. Se debe tener cuidado especial cuando las condiciones del suelo son resbaladizas (suelo húmedo, nieve) y en terreno difícil y con mucha vegetación. Para evitar tropezarse, esté atento a los obstáculos ocultos tales como tocones, raíces y zanjas. Para obtener un punto de apoyo seguro, quite las ramas caídas, los matorrales y el material cortado. Sea sumamente precavido cuando trabaje en declives o terreno irregular.

### ! ADVERTENCIA

Para reducir el riesgo de lesiones causadas por la pérdida del control, nunca trabaje sobre una escalera, un árbol o cualquier otra superficie de

soporte poco seguro. Nunca mantenga la máquina a una altura más arriba de los hombros.

### Condiciones de trabajo

Maneje y arranque su herramienta motorizada solamente al aire libre en un lugar bien ventilado. Manéjela solamente en condiciones de buena visibilidad y a la luz del día. Trabaje con mucho cuidado.

### ! ADVERTENCIA

Si la vegetación que se está cortando o la tierra en el lugar está recubierta de una sustancia química (tal como un pesticida o herbicida activo), lea y siga las instrucciones suministradas con la sustancia en cuestión.

### ! ADVERTENCIA



La inhalación de ciertos polvos, especialmente los polvos orgánicos, tales como el moho o polen, puede provocar reacciones alérgicas o asmáticas en las personas sensibles.

La inhalación repetida o de grandes cantidades de polvo u otros contaminantes del aire, especialmente los de partículas pequeñas puede causar enfermedades respiratorias o de otro tipo. Controle el polvo en su fuente, siempre que sea posible. Utilice buenas prácticas de trabajo, tal como trabajar de manera que el viento o el proceso de corte dirija el polvo producido por la herramienta motorizada en sentido opuesto del operador. Observe las recomendaciones emitidas por

EPA/OSHA/NIOSH y las asociaciones de trabajo y los sindicatos con respecto al polvo ("materia particulada"). Cuando sea imposible eliminar significativamente la inhalación del polvo, es decir mantener el nivel cerca del valor ambiente, el operador y las personas que se encuentren en la cercanía siempre deberán usar un respirador aprobado por NIOSH/MSHA para el tipo de polvo presente en el lugar.

### Instrucciones de manejo

#### **!** ADVERTENCIA

No maneje la herramienta motorizada usando el bloqueo de acelerador para arranque, pues no tendrá control de la velocidad del motor.

En caso de emergencia, apague el motor inmediatamente – mueva el control deslizante / interruptor momentáneo de parada a **0** o **STOP**

Consulte la sección del manual de instrucciones del motor KombiEngine que describe el uso del control deslizante / interruptor de parada / interruptor momentáneo de parada.

#### **!** ADVERTENCIA

Las cuchillas siguen girando por un rato después que se suelta el gatillo de aceleración.

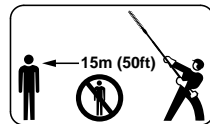
Al aumentar la velocidad del motor con las cuchillas bloqueadas se aumenta la carga y se provoca el patinaje continuo del embrague. Esto puede causar sobrecalentamiento y daño de los componentes importantes (por ejemplo, el embrague y las piezas de plástico polimérico de la caja) – esto a su vez

aumenta el riesgo de lesiones causadas por el movimiento de las cuchillas cuando el motor está a marcha en vacío.

#### **!** ADVERTENCIA

En máquinas con barra de corte ajustable: Ajuste la barra de corte cuidadosamente para colocarla en la posición de corte deseada. Para evitar el riesgo de lesionarse, nunca toque las cuchillas al hacer ajustes. Ajuste la barra de corte solamente cuando las cuchillas están paradas.

#### **!** ADVERTENCIA



La herramienta motorizada tiene alcance largo. Para reducir el riesgo de que otras personas sufran lesiones graves o mortales causadas por la caída de objetos, o el contacto inesperado con las cuchillas en movimiento de la herramienta motorizada, siempre mantenga a las demás personas a una distancia no menor de 15 m (50 pies) de la herramienta motorizada cuando se encuentre en marcha.

Apague el motor inmediatamente si se le aproxima alguna persona.

#### **!** ADVERTENCIA

Antes de empezar a trabajar, examine la zona en busca de piedras, vidrio, alambres, piezas metálicas, desechos u otros objetos macizos que pudieran dañar las cuchillas.

Tenga cuidado especial al cortar cerca de vallas de alambre. No toque el alambre con las cuchillas. Cuando se trabaje cerca del suelo, compruebe que no entre arena, grava o piedras entre las cuchillas de corte.

El choque con objetos extraños tales como piedras, alambres o piezas metálicas puede dañar el accesorio de corte y puede hacer que las cuchillas se agrieten, se piquen o se rompan. STIHL no recomienda usar la herramienta motorizada en zonas en las cuales las cuchillas pudieran entrar en contacto con tales objetos.

#### **!** ADVERTENCIA

Observe las cuchillas en todo momento – no corte las zonas imposibles de ver.

#### **!** PELIGRO



Su herramienta motorizada no está aislada contra las sacudidas eléctricas. Para reducir el riesgo de electrocución, nunca utilice esta herramienta motorizada cerca de alambres o cables (de alimentación, etc.) que puedan tener corriente eléctrica.

## ADVERTENCIA

Si la herramienta de corte se atasca o queda pegada, siempre apague el motor y asegúrese que la herramienta de corte está detenida antes de limpiarla. Limpie el pasto, las malezas, etc. de la herramienta de corte en intervalos regulares.

Revise las cuchillas frecuente y periódicamente durante el trabajo, o inmediatamente si hay cambios importantes de las características de corte:

- Apague el motor.
- Espere hasta que se detengan completamente las cuchillas.
- Revise la condición y el apriete, busque grietas.
- Revise el afilado.
- Sustituya las herramientas de corte dañadas o desafiladas inmediatamente, incluso si tienen sólo alguna grieta superficial.

## ADVERTENCIA



La caja de engranajes está caliente durante el funcionamiento de la máquina. Para reducir el riesgo de lesiones por quemaduras, no toque la caja de engranajes cuando está caliente.

## MANTENIMIENTO, REPARACIÓN Y ALMACENAMIENTO

### ADVERTENCIA

Siempre apague el motor y verifique que el accesorio de corte está parado antes de llevar a cabo cualquier trabajo de mantenimiento, reparación o limpieza de la herramienta motorizada. No intente hacer ningún trabajo de mantenimiento o reparación que no esté descrito en su manual de instrucciones del motor KombiEngine o del accesorio KombiTool. Este tipo de trabajo debe realizarse únicamente en el taller de servicio de STIHL.

Siempre limpie el polvo y la tierra de la máquina – no utilice disolventes de grasa para este propósito.

Rocíe las cuchillas con disolvente de resina STIHL. Después ponga en marcha el motor para que el disolvente se distribuya uniformemente.

### ADVERTENCIA

Utilice solamente las piezas de repuesto idénticas de STIHL para el mantenimiento y la reparación. El uso de piezas no fabricadas por STIHL puede causar lesiones graves o mortales.

Use guantes para manipular o reparar las cuchillas.

### ADVERTENCIA

Nunca repare los accesorios de corte dañados aplicándoles soldadura, enderezándolos o modificándoles su forma. Esto puede causar el

desprendimiento de alguna pieza del accesorio de corte y producir lesiones graves o mortales.

Mantenga las cuchillas afiladas. Apriete todas las tuercas, pernos y tornillos, excepto los tornillos de ajuste del carburador, después de cada uso.

No limpie la máquina con una lavadora a presión. El chorro fuerte de agua puede dañar las piezas de la máquina.

Guarde la herramienta motorizada en un lugar seco y elevado o con llave lejos del alcance de los niños.

## Uso

No utilice la guadaña motorizada durante los períodos de reposo de otras personas.

La guadaña motorizada se usa a nivel del suelo. Puesto que sus cuchillas funcionan como una barra segadora, la máquina es ideal para cortar matorrales, bosque, cañuela, malezas y pastos duros. La guadaña motorizada es especialmente adecuada para trabajos en zonas ajetreadas, tales como islas de tránsito o parques, porque las ramas cortadas no son atrapadas y arrojadas por las cuchillas.

## Desecho

No tire los recortes al basurero – pueden usarse para abono.

## Preparaciones

- Ajuste la barra de corte al ángulo deseado.
- Saque la funda de la cuchilla.
- Arranque el motor.
- Colóquese la correa sobre el hombro.
- Conexión de la máquina a la correa para hombro

## Técnica de trabajo



La posición y método de trabajo son iguales que los utilizados para una cortadora de matorrales. Mueva la barra de corte formando un arco justo sobre el suelo.

## Motores KombiEngine aprobados

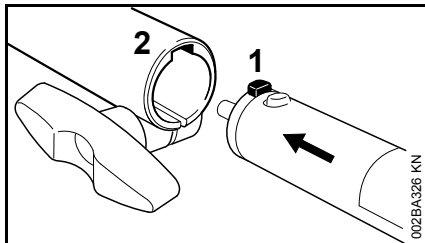
### Motores KombiEngine

Utilice únicamente los motores KombiMotor suministrados o explícitamente aprobados por STIHL para uso con el accesorio.

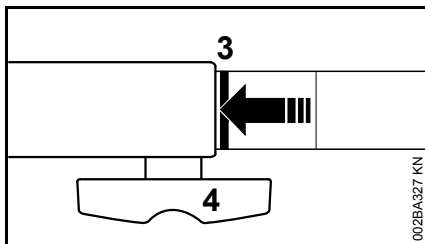
Este accesorio KombiTool puede usarse únicamente con los motores KombiEngine siguientes:

KM 56 R, KM 94 R, KM 111 R,  
KM 131 R, KMA 130 R, KMA 135 R

## Instalación del KombiTool



- Empuje la orejeta (1) del tubo de mando en la ranura (2) en el manguito de acoplamiento hasta que haga tope.



Cuando la instalación es correcta, la raya roja (3) (punta de la flecha) debe estar a ras con el extremo del manguito de acoplamiento.

- Apriete la perilla (4) **firmemente**.

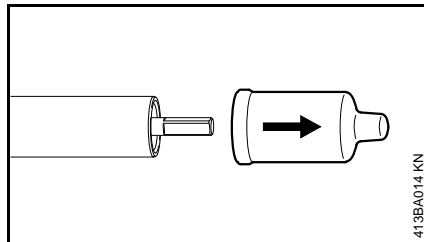
### Retiro del accesorio KombiTool

- Invierta la secuencia anterior para retirar el tubo de mando.

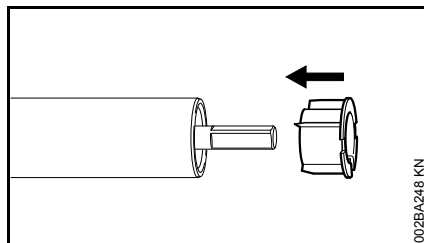
## Armado de la máquina

### Retiro de la tapa protectora

Si tiene montado una tapa en el extremo del tubo de mando de la KombiTool o de la herramienta motorizada de base:



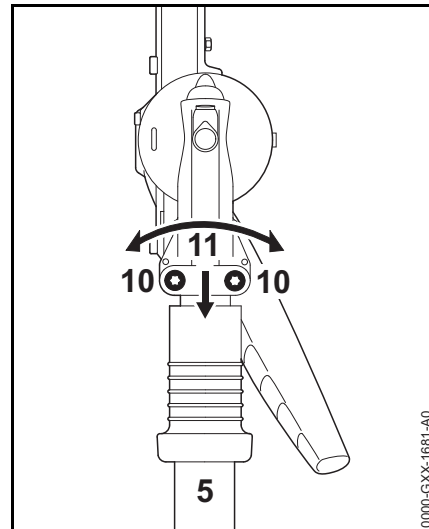
- Quite la tapa protectora del extremo del tubo de mando y déjela en un lugar seguro.



Si el tapón se sale del tubo de mando cuando se quita la tapa:

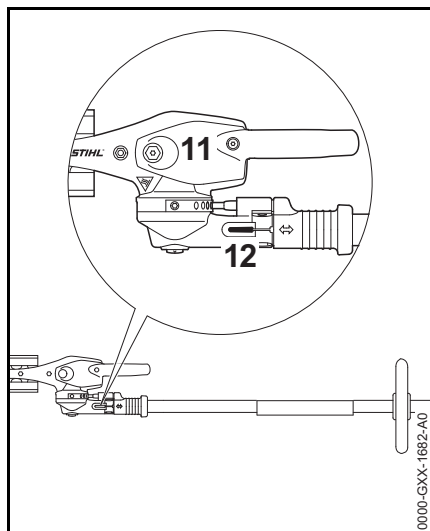
- Empuje el tapón en el tubo de mando hasta llegar al tope.

## Montaje de la caja de engranajes



- Suelte los tornillos de fijación (10).
- Empuje la caja de engranajes (11) en el tubo de mando (5) y gire la caja de engranajes (11) hacia adelante y atrás según sea necesario.



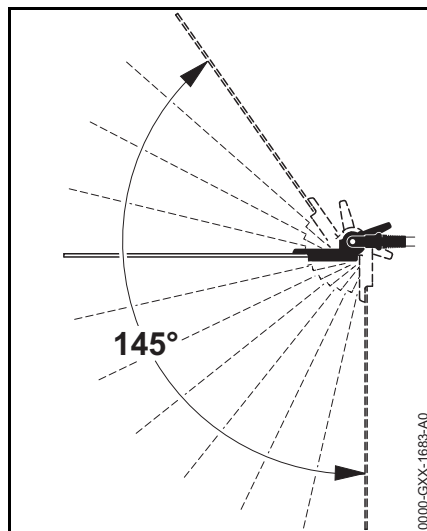


Cuando el extremo del tubo de mando pase más allá de la ranura en la abrazadera (12):

- Empuje el tubo de mando (11) en su posición hasta llegar al tope.
- Apriete los tornillos de fijación de la abrazadera moderadamente.
- Alinee la caja de engranajes (11) con el motor.
- Apriete los tornillos de fijación firmemente.

## Ajuste de la barra de corte

### Ajustador de ángulo - 145°



El ángulo de la barra de corte puede ajustarse hacia arriba en 4 posiciones entre 0° (recta) y 55°, y hacia abajo en 7 posiciones entre 0° y 90° (hacia abajo en ángulo recto). Por lo tanto, se puede elegir entre 12 posiciones de trabajo posibles.

### ! ADVERTENCIA

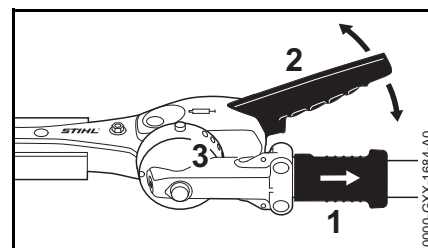
Para reducir el riesgo de lesiones, realice el ajuste siempre con las cuchillas paradas y el motor en marcha en vacío.

### ! ADVERTENCIA

La caja de engranajes se calienta durante el funcionamiento de la máquina. Para reducir el riesgo de sufrir quemaduras, no toque la caja de engranajes.

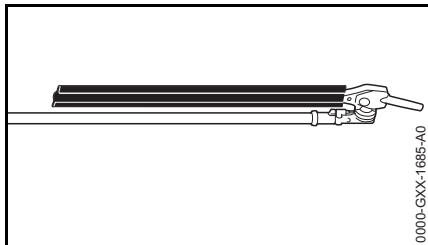
### ! ADVERTENCIA

Para reducir el riesgo de lesionarse, nunca toque las cuchillas cuando haga ajustes.



- Tire hacia atrás del manguito deslizante (1) y use la palanca (2) para ajustar la unión uno o varios orificios.
- Suelte el manguito deslizante (1) y asegúrese de que el pasador se engancha en el cuadrante (3).

## Posición de transporte



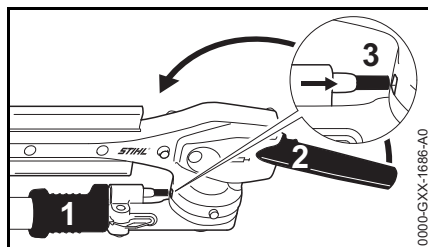
La barra de corte puede plegarse contra el tubo de mando y fijarse en esta posición para reducir el espacio necesario para transportar el equipo.

### **!** ADVERTENCIA

Para reducir el riesgo de sufrir lesiones, apague siempre el motor (apriete el interruptor de parada), y cubra las cuchillas con su funda antes de colocar la barra de corte en la posición de transporte, o de bajarla de nuevo a la posición de trabajo normal.

### **!** ADVERTENCIA

La caja de engranajes se calienta durante el funcionamiento de la máquina. Para reducir el riesgo de sufrir quemaduras, no toque la caja de engranajes.

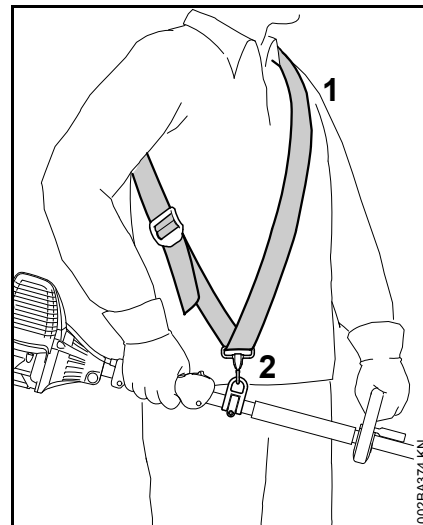


- Apague el motor.
- Cubra las cuchillas con su funda.
- Tire hacia atrás del manguito deslizante (1) y use la palanca (2) para girar la unión hacia arriba, en dirección al tubo de mando, hasta que la barra de corte quede al ras contra el tubo de mando.
- Suelte el manguito deslizante (1) y asegúrese de que el pasador se engancha en el cuadrante (3).

## Uso de la correa para hombro

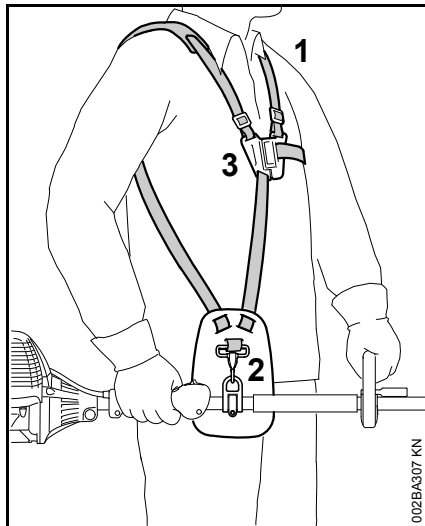
El tipo y el estilo del arnés y mosquetón (gancho con resorte) dependen del lugar de venta.

### Correa para hombro



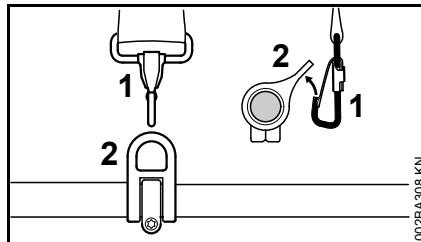
- Colóquese la correa (1) sobre el hombro.
- Ajuste el largo de la correa de modo que el mosquetón (2) quede aproximadamente el ancho de la mano por debajo de su cadera derecha.

## Arnés completo



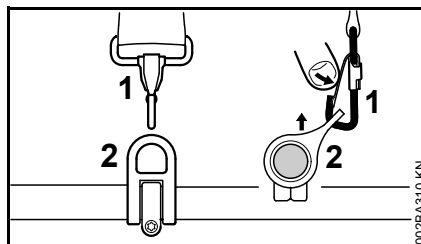
- Póngase el arnés completo (1).
- Ajuste el largo de la correa de modo que el mosquetón (2) quede aproximadamente el ancho de la mano por debajo de su cadera derecha.
- Cierre la placa de bloqueo (3).

## Conexión de la máquina al arnés



- Enganche el mosquetón (1) en la argolla para transporte (2) ubicada en el tubo de mando – mantenga fija la argolla para transporte.

## Desconexión de la máquina del arnés



- Empuje la barra en el mosquetón (1) y extraiga la argolla de transporte (2) del mosquetón.

## Eliminación de la máquina

### ADVERTENCIA

Es necesario quitarse la máquina rápidamente en caso de un peligro inminente. Practique quitarse la máquina y colocarla en el suelo de la manera en la cual lo haría en caso de

emergencia. Para evitar dañar la máquina, no la lance al suelo cuando esté practicando.

Practique la desconexión de la herramienta motorizada del mosquetón de la manera descrita en "Desconexión de la máquina del arnés".

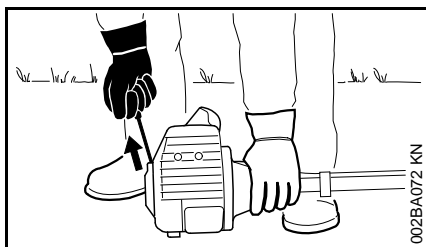
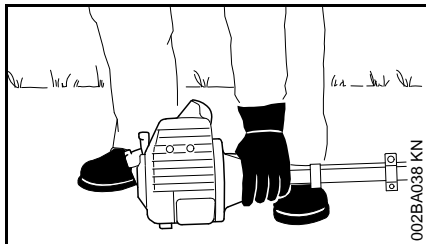
Si utiliza una correa para el hombro: Practique el deslizamiento de la correa fuera de su hombro.

Si utiliza un arnés completo: Practique el desbloqueo rápido de la placa de bloqueo y el deslizamiento de las correas del arnés de sus hombros.

## Arranque / parada del motor

### Arranque del motor

Siga siempre las instrucciones de funcionamiento del motor KombiEngine y la herramienta motorizada básica.



- Coloque la máquina sobre el suelo de modo que quede apoyada seguramente en el soporte del motor y en la caja de engranajes.
- En los modelos con barra de corte ajustable: Fija la barra de corte en la posición recta (0°).
- Saque la funda de la cuchilla.

**Para reducir el riesgo de sufrir accidentes**, verifique que las cuchillas no toquen el suelo ni ningún otro obstáculo.

- De ser necesario, apoye la caja de engranajes sobre un soporte elevado (por ejemplo, un montículo, ladrillo u objeto similar).
- Asegúrese de tener los pies bien apoyados – ya sea de estar a pie, agacharse o arrodillarse.
- Sujete la máquina con la mano izquierda y presionarla contra el suelo **firmemente** – no toque los mandos del mango de control al presionarla – consulte el manual de instrucciones del motor KombiEngine o de la herramienta motorizada básica.

### INDICACIÓN

No se pare ni se arrodille sobre el tubo de mando.

### ⚠ ADVERTENCIA

El accesorio de corte puede empezar a girar tan pronto arranque el motor. Por esta razón, accione momentáneamente el gatillo de aceleración – el motor reduce su aceleración al régimen de marcha en vacío.

El procedimiento de arranque siguiente corresponde al descrito en el manual de instrucciones del motor KombiEngine o la herramienta motorizada básica que se está usando.

### Parada del motor

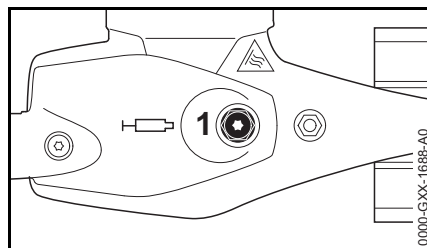
- Consulte el manual de instrucciones del motor KombiEngine o de la herramienta motorizada básica.

## Lubricación de la caja de engranajes



### Engranaje impulsor de cuchillas

Lubrique el engranaje impulsor de cuchillas con lubricante para engranajes STIHL para cortasetos – vea "Accesorios especiales".



- Revise el nivel de lubricante después de aproximadamente cada 25 horas de funcionamiento. Destornille el tapón de llenado (1) – Si no se ve grasa en el interior del tapón, atornille el tubo de grasa en el agujero de llenado.
- Inyecte hasta 10 g (2/5 oz) de grasa en la caja de engranajes.

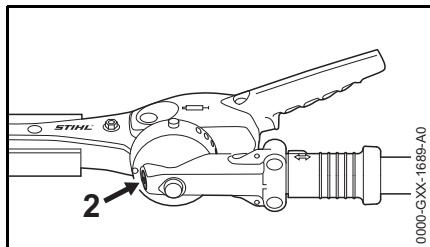
### INDICACIÓN

No llene completamente con grasa la caja de engranajes.

- Destornille el tubo de grasa del agujero de llenado.
- Vuelva a colocar el tapón de llenado y apriételo firmemente.

## Transmisión angular

Lubrique la transmisión angular con lubricante para engranajes STIHL para cortadoras de matorrales (accesorio especial).



- Revise el nivel de lubricante después de aproximadamente cada 25 horas de funcionamiento. Destornille el tapón de llenado (2) – Si no se ve grasa en el interior del tapón, atornille el tubo de grasa en el agujero de llenado.
- Inyecte hasta 5 g (1/5 oz) de grasa en la caja de engranajes.

### INDICACIÓN

No llene completamente con grasa la caja de engranajes.

- Destornille el tubo de grasa del agujero de llenado.
- Vuelva a colocar el tapón de llenado y apriételo firmemente.

## Almacenamiento de la máquina

Para intervalos de 3 meses o más

- Limpie las cuchillas, revise su estado y rocíelas con disolvente de resina STIHL.
- Coloque la funda de la cuchilla.
- Si el accesorio KombiTool se retira del motor KombiEngine y se guarda aparte: Coloque la tapa protectora en el tubo de mando para protegerla del polvo y la suciedad.
- Guarde la máquina en un lugar seco y bajo llave, fuera del alcance de los niños y de otras personas no autorizadas.

## Información para mantenimiento

Los intervalos dados a continuación corresponden únicamente a condiciones normales de trabajo. Si el tiempo de trabajo por jornada es más largo que lo normal, o si las condiciones son extremas (zonas polvorientas, etc.), acorte los intervalos indicados de modo correspondiente.

### Todos los tornillos y tuercas accesibles

- Revíselos y apriételos de ser necesario (no los tornillos ni las tuercas de las cuchillas de corte)

### Cuchillas de corte

- Inspección visual antes de iniciar los trabajos
- Afile de ser necesario
- Sustituya si está dañado.

### Lubricación de caja de engranajes

- Revise antes de iniciar los trabajos
- Vuelva a llenar según sea necesario.

### Etiquetas de seguridad

- Cambie las etiquetas de seguridad ilegibles

## Instrucciones de afilado

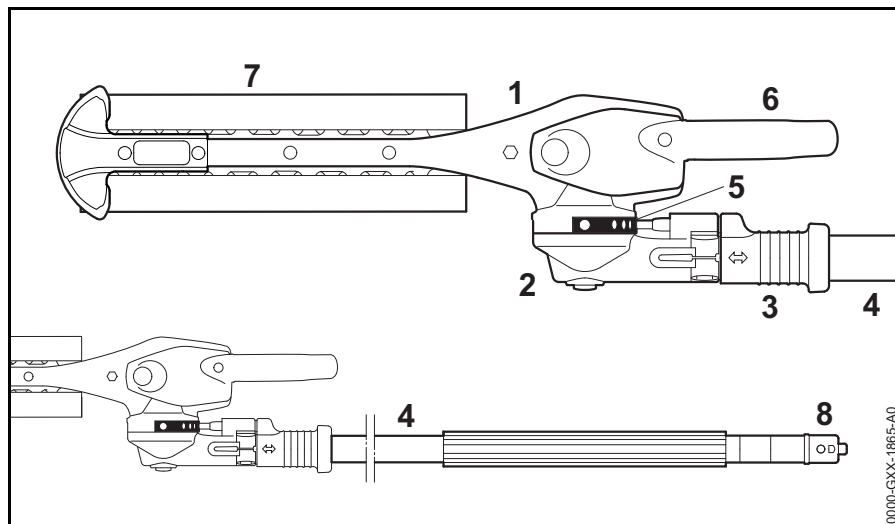
Si el rendimiento del corte y la respuesta de la máquina comienzan a deteriorar (por ejemplo, si las cuchillas se enganchan frecuentemente en las ramas): Vuelva a afilar las cuchillas.

Es mejor que las cuchillas las afile el concesionario usando un afilador de taller. STIHL recomienda acudir a un concesionario STIHL para servicio.

### ***INDICACIÓN***

No utilice la máquina con cuchillas rotas o dañadas. Esto puede causar sobrecargas y produce cortes insatisfactorios.

## Componentes importantes



- 1 Engranaje impulsor de cuchillas
- 2 Tubo de mando
- 3 Manguito deslizante
- 4 Transmisión angular
- 5 Palanca de ajuste
- 6 Cuadrante
- 7 Funda para cuchilla
- 8 Manguito

## Definiciones

---

- 1 Engranaje impulsor de cuchillas**  
Convierte el movimiento giratorio de la transmisión angular en movimiento de vaivén de las cuchillas.
- 2 Tubo de mando**  
Encierra y protege el eje impulsor entre el manguito de acoplamiento y la caja de engranajes.
- 3 Manguito deslizante**  
Bloquea y desbloquea el mecanismo de ajuste de la barra de corte.
- 4 Transmisión angular**  
Transmite el movimiento giratorio del eje impulsor al engranaje impulsor de cuchillas.
- 5 Palanca de ajuste**  
Se usa para fijar la barra de corte al ángulo deseado.
- 6 Cuadrante**  
Fija la barra de corte en la posición requerida.
- 7 Funda para cuchilla**  
Cubre las cuchillas cuando el cortasetos no está en uso.
- 8 Manguito**  
Sitúa el tubo de mando en el manguito de acoplamiento.

## Especificaciones

### Cuchillas de corte

---

Tipo:	Con doble filo para cortes bidireccionales
Largo de corte:	250 mm (0,843 pulg)
Espacio entre dientes:	34 mm (1,339 pulg)
Altura de dientes:	22 mm (0,866 pulg)
Ángulo de afilado:	45° con respecto a horizontal


### Peso

---

FH-KM:	2,1 kg (4,6 lb)
--------	-----------------

## Información de reparación

Los usuarios de esta máquina deben efectuar únicamente los trabajos de mantenimiento descritos en este manual. STIHL recomienda que un concesionario de servicio STIHL efectúe los demás trabajos de reparación utilizando piezas de repuesto genuinas de STIHL.

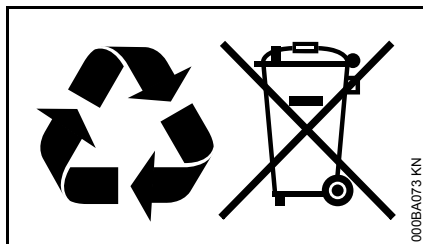
Es posible identificar las piezas originales de STIHL por el número de pieza STIHL, el logotipo de **STIHL** y, en ciertos casos, el símbolo  de piezas STIHL. En las piezas pequeñas el símbolo puede aparecer solo.

**Para reparar algún componente del sistema de control de emisiones de aire, consulte la garantía de sistemas de emisiones dada en este manual.**



## Desecho

Respete todas las leyes y los reglamentos sobre eliminación de desechos que correspondan a su país.



No se debe botar los aparatos STIHL en el basurero. Lleve el producto, los accesorios y el embalaje a un vertedero autorizado para reciclarlos y contribuir al cuidado del medio ambiente.

Comuníquese con un concesionario de servicio de STIHL para obtener la información más actualizada sobre la eliminación de desechos.

## Marcas comerciales

### Marcas registradas de STIHL

STIHL®

**STIHL**®



La combinación de colores anaranjado-gris (Números de registro EE.UU. 2,821,860; 3,010,057, 3,010,058, 3,400,477; y 3,400,476)



AutoCut®

FARM BOSS®

iCademy®

MAGNUM®

MasterWrench Service®

MotoMix®

OIOMATIC®

ROCK BOSS®

STIHL Cutquik®

STIHL DUROMATIC®

STIHL Quickstop®

STIHL ROLLOMATIC®

STIHL WOOD BOSS®

TIMBERSPORTS®

WOOD BOSS®

YARD BOSS®

### Algunos de las marcas comerciales de STIHL por ley común



4-MIX™

BioPlus™

Easy2Start™

EasySpool™

ElastoStart™

Ematic™

FixCut™

IntelliCarb™

Master Control Lever™

Micro™

Pro Mark™

Quiet Line™

STIHL M-Tronic™

STIHL OUTFITTERS™

STIHL PICCO™

STIHL PolyCut™

STIHL PowerSweep™

STIHL Precision Series™

STIHL RAPID™

STIHL SuperCut™

TapAction™

TrimCut™

Esta lista de marcas comerciales está  
sujeta a cambios.

Queda terminantemente prohibido todo  
uso de estas marcas comerciales sin el  
consentimiento expreso por escrito de  
ANDREAS STIHL AG & Co. KG,  
Waiblingen.



 **WARNING**

This product contains chemicals known to the State of California to cause cancer, birth defects or other reproductive harm.

 **ADVERTENCIA**

Este producto contiene sustancias químicas consideradas por el Estado de California como causantes de cáncer, defectos de nacimiento u otra toxicidad reproductora.

0458-476-8621-C

englisch / spanisch USA



[www.stihl.com](http://www.stihl.com)



0458-476-8621-C