

# REPLACEMENT PARTS GUIDE

## Z370R Electric ZTrak™ Mower with 42 inch and 48 inch Accel Deep™ Deck

### MOWER BLADE

[UC28843](#) (CUT LENGTH = 103 mm) (42 INCH)

[UC33780](#) (CUT LENGTH = 84.3 mm) (48 INCH)

### MULCH BLADE

[UC30254](#) (CUT LENGTH = 126.5 mm) (42 INCH)

[UC35524](#) (CUT LENGTH = 156.9 mm) (48 INCH)

### BAGGING BLADE

[UC34141](#) (CUT LENGTH = 103 mm) (42 INCH)

### GAGE WHEEL

[GX10168](#)

### MOWER DECK LEVELING GAUGE

[AM130907](#)

### ELECTRICAL

#### CHARGE PORT COVER

[UC32275](#)

#### KEY PIN

[UC31630](#)

#### ELECTRIC DECK MOTOR

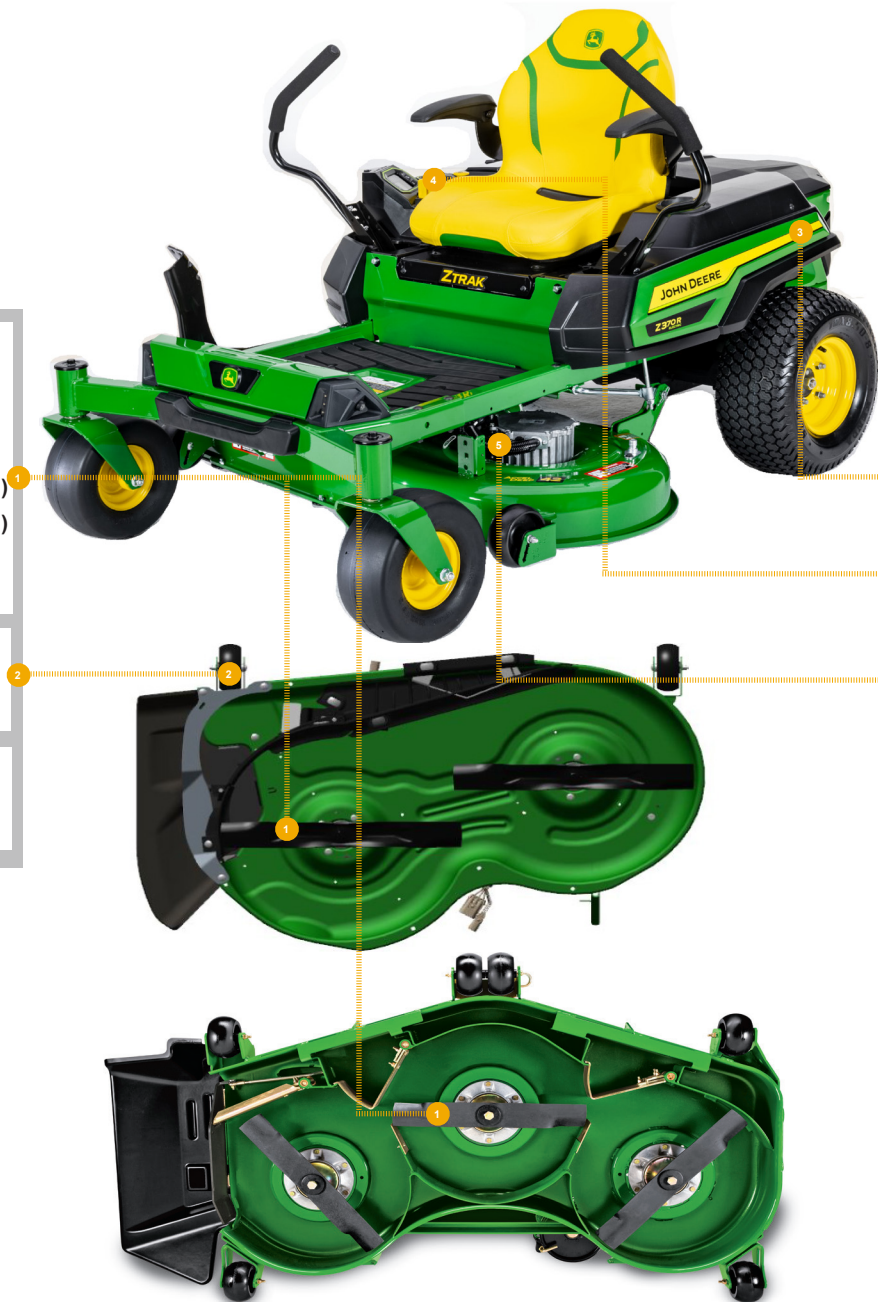
[PFA13177](#)

#### CHARGING CORD

[MTMET1100J](#) (25 FOOT, 16 GAUGE)

[MTMET1104J](#) (50 FOOT, 14 GAUGE)

[MTMET1108J](#) (100 FOOT, 12 GAUGE)



**JOHN DEERE**  
Genuine Parts and Service

CLICK PART NUMBER TO BUY

\*See operator's manual for additional details.