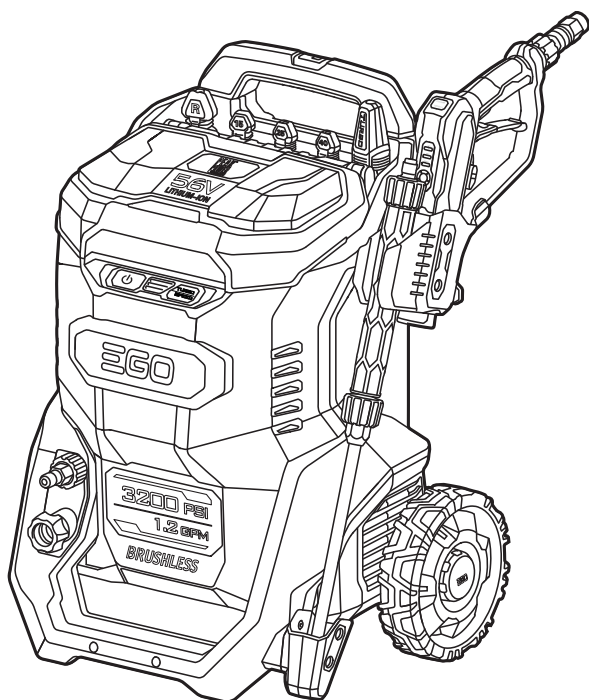


EGO™

POWER+ PRESSURE WASHER



OPERATOR'S MANUAL

56-VOLT LITHIUM-ION PRESSURE WASHER

MODEL NUMBER HPW3200/HPW3200-FC

Français p. 43

Español p. 89

⚠ WARNING: To reduce the risk of injury, the user must read and understand the Operator's Manual before using this product. Save these instructions for future reference.

READ ALL INSTRUCTIONS!



**READ & UNDERSTAND
OPERATOR'S MANUAL**

TABLE OF CONTENTS

| | |
|---|-------|
| Safety Symbols | 3 |
| Symbols | 4 |
| Safety Instructions for Pressure Washer | 5-6 |
| Introduction | 7 |
| Specifications | 8 |
| Accessories | 9 |
| Description | 10-14 |
| Assembly | 15-24 |
| Operation | 25-30 |
| Maintenance | 31-36 |
| Troubleshooting | 37-39 |
| EGO Limited Warranty | 40-41 |

SAFETY SYMBOLS

The purpose of safety symbols is to attract your attention to possible dangers. The safety symbols and the explanations with them deserve your careful attention and understanding. The symbol warnings do not, by themselves, eliminate any danger. The instructions and warnings they give are no substitutes for proper accident prevention measures.

⚠ WARNING: Be sure to read and understand all safety instructions in this Operator’s Manual, including all safety alert symbols such as “**DANGER**”, “**WARNING**”, and “**CAUTION**” before using this machine. Failure to follow all instructions listed below may result in electric shock, fire, and/or serious personal injury.

The definitions below describe the level of severity for each signal word. Please read the manual and pay attention to these symbols.

| | |
|--|---|
| | <p>This is the safety alert symbol. It is used to alert you to potential personal injury hazards. Obey all safety messages that follow this symbol to avoid possible injury or death.</p> |
| | <p>DANGER indicates a hazardous situation which, if not avoided, will result in death or serious injury.</p> |
| | <p>WARNING indicates a hazardous situation which, if not avoided, could result in death or serious injury.</p> |
| | <p>CAUTION, used with the safety alert symbol, indicates a hazardous situation which, if not avoided, will result in minor or moderate injury.</p> |




DAMAGE PREVENTION AND INFORMATION MESSAGES

These inform the user of important information and/or instructions that could lead to equipment or other property damage if they are not followed. Each message is preceded by the word “NOTICE”, as in the example below:

NOTICE: Equipment and/or property damage may result if these instructions are not followed.

SYMBOLS

This page depicts and describes symbols that may appear on this product. Read, understand, and follow all instructions on the product before attempting to assemble and operate.

| | | |
|---|--|--|
|  | Safety Alert | Precautions that involve your safety. |
|  | Read & Understand Operator's Manual | To reduce the risk of injury, user must read and understand the operator's manual before using this product. |
|  | Do not connect to the potable water mains. | Product is not intended to be connected to the potable water mains. |
| IP... | Ingress Protection (IP) Rating | Classifies the degree of protection provided by an enclosure, for electrical equipment. |
| °F | Degrees Fahrenheit | Temperature |
| °C | Degrees Celsius | Temperature |
| lbs | Pounds | Weight |
| kg | Kilogram | Weight |
| PSI | Pounds per Square Inch | Pressure |
| MPa | Megapascal | Pressure |
| GPM | Gallons per Minute | Flow rate |
| L/min | Liters per Minute | Flow rate |

SAFETY INSTRUCTIONS FOR PRESSURE WASHER

⚠ WARNING: Risk of injury. Do not direct discharge stream at persons.

⚠ WARNING: When using this product basic precautions should always be followed, including the following:

- Read all the instructions before using the product.
- To reduce the risk of injury, close supervision is necessary when a product is used near children.
- Know how to stop the product and bleed pressure quickly. Be thoroughly familiar with the controls.
- Stay alert – watch what you are doing.
- Do not operate the product when fatigued or under the influence of alcohol or drugs.
- Keep operating area clear of all persons.
- Do not use the pressure washer in bad weather conditions, especially when there is a risk of lightning. This decreases the risk of being struck by lightning.
- Do not connect to the potable water mains. Product is not intended to be connected to the potable water mains.
- Do not overreach or stand on unstable support. Keep good footing and balance at all times.
- Follow the maintenance instructions specified in the manual.
- Prevent unintentional starting. Ensure the switch is in the off-position before connecting to battery pack, picking up or carrying the appliance. Carrying the appliance with your finger on the switch or energizing appliance that has the switch on invites accidents.
- Disconnect the battery pack from the appliance before making any adjustments, changing accessories, or storing appliance. Such preventive safety measures reduce the risk of starting the appliance accidentally.
- Recharge only with the charger specified by the manufacturer. A charger that is suitable for one type of battery pack may create a risk of fire when used with another battery pack.
- Use the appliance only with specifically designated battery packs. Use of any other battery packs may create a risk of injury and fire.

- When battery pack is not in use, keep it away from other metal objects, like paper clips, coins, keys, nails, screws or other small metal objects, that can make a connection from one terminal to another. Shorting the battery terminals together may cause burns or a fire.
- Under abusive conditions, liquid may be ejected from the battery; avoid contact. If contact accidentally occurs, flush with water. If liquid contacts eyes, additionally seek medical help. Liquid ejected from the battery may cause irritation or burns.
- Do not use a battery pack or appliance that is damaged or modified. Damaged or modified batteries may exhibit unpredictable behavior resulting in fire, explosion or risk of injury.
- Do not expose a battery pack or appliance to fire or excessive temperature. Exposure to fire or temperature above 265°F (130°C) may cause explosion.
- Follow all charging instructions and do not charge the battery pack or appliance outside of the temperature range specified in the instructions. Charging improperly or at temperatures outside of the specified range may damage the battery and increase the risk of fire.
- Have servicing performed by a qualified repair person using only identical replacement parts. This will ensure that the safety of the product is maintained.
- Do not modify or attempt to repair the appliance or the battery pack (as applicable) except as indicated in the instructions for use and care.
- **Use only with the battery packs and chargers listed below:**

| BATTERY PACK | CHARGER |
|---|---|
| BA1400, BA1400-FC, BA2800, BA2800-FC, BA4200, BA4200-FC, BA1400T, BA1400T-FC, BA2242T, BA2242T-FC, BA2800T, BA2800T-FC, BA3360T, BA3360T-FC, BA4200T, BA4200T-FC, BA4480T, BA4480T-FC, BA5600T, BA5600T-FC, BA6720T, BA6720T-FC | CH2100, CH2100-FC, CH3200, CH3200-FC, CH5500, CH5500-FC, CH2800D, CH2800D-FC, CH7000, CH7000-FC |

SAVE THESE INSTRUCTIONS! Refer to them frequently and use them to instruct others who may use this appliance. If you loan this appliance to someone else, also loan these instructions to them to prevent misuse of the product and possible injury.

INTRODUCTION

Congratulations on your selection of the 56V Lithium-ion Pressure Washer. It has been designed, engineered and manufactured to give you the best possible dependability and performance.

Should you experience any problem you cannot easily remedy, please contact EGO customer service center 1-855-EGO-5656.

This manual contains important information on to the safe assembly, operation and maintenance of your product. Read it carefully before using the product. Keep this manual handy so you can refer to it at any time.

SERIAL NUMBER _____ DATE OF PURCHASE _____

YOU SHOULD RECORD BOTH SERIAL NUMBER AND DATE OF PURCHASE AND KEEP IN A SAFE PLACE FOR FUTURE REFERENCE.



SPECIFICATIONS

| | |
|---|------------------------------------|
| Voltage | 56 V |
| Maximum Rated Pressure | 3200 PSI (22 MPa) |
| Maximum Rated Flow (with quick connect lance and stainless steel wand connected) | 1.2 GPM (4.5 L/min) |
| Maximum Rated Flow (with only short pressure gun connected) | 2.0 GPM (7.5 L/min) |
| Ingress Protection Rating | IPX5* (Protection from water jets) |
| Recommended Operating Temperature | 41°F – 104°F (5°C – 40°C) |
| Recommended Storage Temperature | -4°F – 158°F (-20°C – 70°C) |
| Weight (without battery pack) | 36.2 lbs. (16.4 kg) |

* **NOTE:** IPX5 rating is valid when the battery compartment is properly closed.

ACCESSORIES

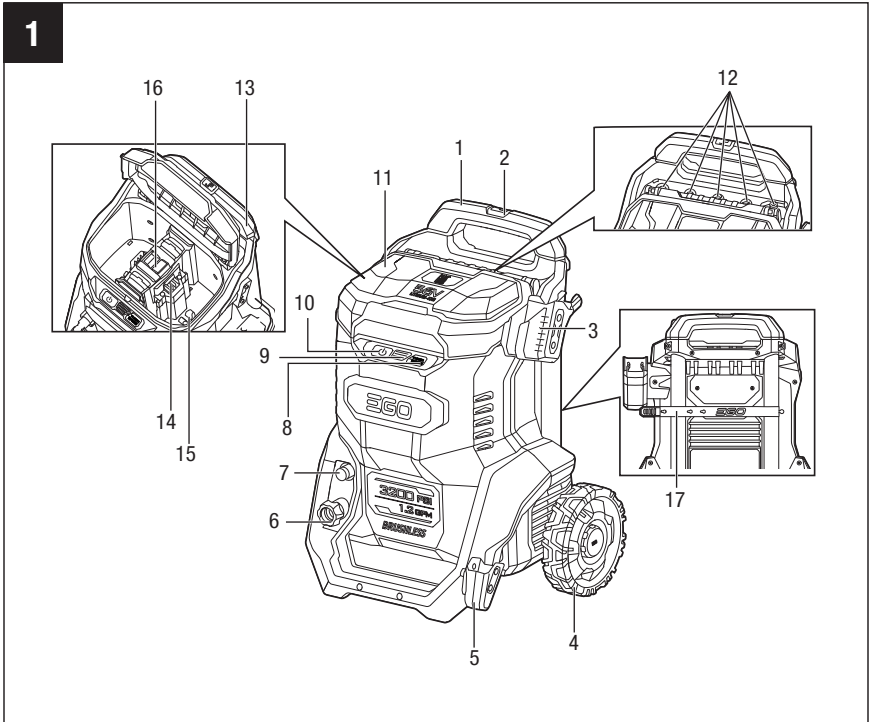
⚠ WARNING: Use only identical accessories listed below. Use of accessories that do not meet the original equipment specifications may lead to improper performance and compromised safety.

| PART NAME | MODEL NUMBER |
|--|--------------|
| 0° Nozzle | ANZ3200 |
| Nozzle Kit (Includes one of each: Turbo nozzle, 15° nozzle, 25° nozzle, 40° nozzle, Rinse nozzle) | ANK3200 |

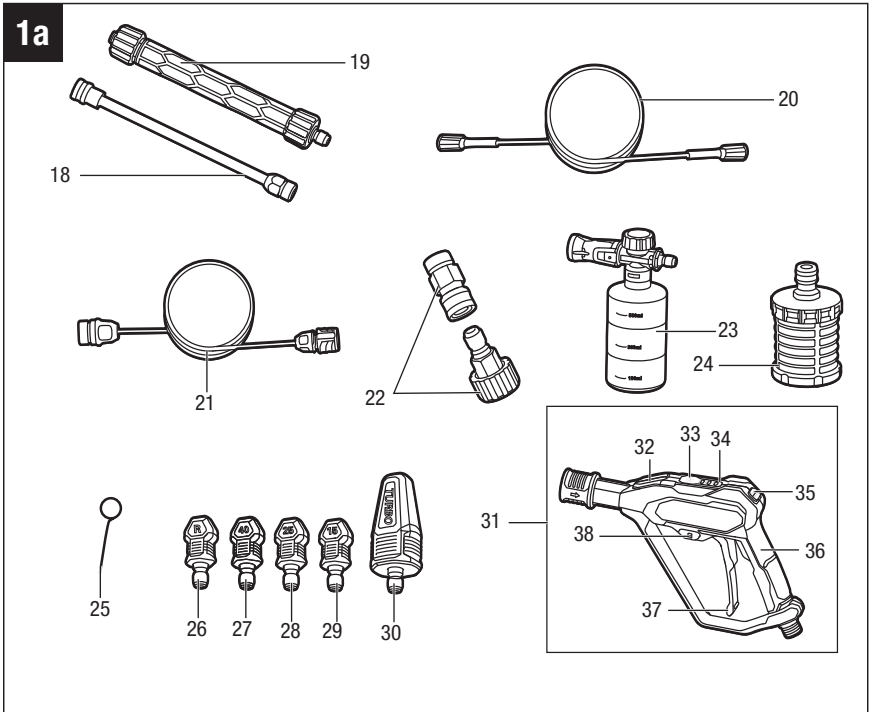
For more information about the latest accessories, please visit:
www.egopowerplus.com.

DESCRIPTION

KNOW YOUR PRESSURE WASHER (Fig. 1)



- | | |
|-------------------------|------------------------------------|
| 1. Telescopic Handle | 10. Power Button |
| 2. Handle Lock Button | 11. Battery Pack Compartment |
| 3. Upper Holder Bracket | 12. Nozzles Storage |
| 4. Wheel (x2) | 13. Battery Pack Compartment Cover |
| 5. Lower Holder Bracket | 14. Electric Contacts |
| 6. Water Inlet Port | 15. Ejection Mechanism |
| 7. Water Outlet Port | 16. Battery-Release Button |
| 8. Speed Button | 17. Hose Holder Strap |
| 9. Speed Indicator | |



- | | | | |
|-----|------------------------|-----|--------------------|
| 18. | Stainless Steel Wand | 28. | 25° Nozzle |
| 19. | Quick Connect Lance | 29. | 15° Nozzle |
| 20. | High-pressure Hose | 30. | Turbo Nozzle |
| 21. | Siphon Hose | 31. | Short Pressure Gun |
| 22. | Quick-Coupler Set (x2) | 32. | Battery Cover |
| 23. | Foam Cannon | 33. | 5-LED Fuel Gauge |
| 24. | Filter | 34. | Speed Indicator |
| 25. | Nozzle Cleaning Needle | 35. | Speed Button |
| 26. | Rinse Nozzle | 36. | Gun Handle |
| 27. | 40° Nozzle | 37. | Trigger |
| | | 38. | Lock-off Button |

⚠ WARNING: The safe use of this product requires an understanding of the information on the product and in this instruction manual, as well as knowledge of the project you are attempting. Before use of this product, familiarize yourself with all operating features and safety rules.

Telescopic Handle

Pull out the telescopic handle by pressing the telescopic handle lock button to roll the pressure washer to desired place easily.

Handle Lock Button

Press the lock button to pull out or press down the telescopic handle, and release the lock button to lock the telescopic handle in one of three positions.

Wheels

The wheels are used to quickly roll the pressure washer.

Water Inlet Port

With connected siphon hose, this port is used for water inflow.

Water Outlet Port

With connected pressure hose, this port is used for water outflow.

Siphon Hose

Provides path for water inflow.

High-pressure Hose

Provides path for water outflow.

Hose Holder Strap

Secures the pressure hose when it is stored behind the telescopic handle pole.

Short Pressure Gun

Hold the gun to spray out water. Provides high flow and low pressure for rinsing applications.

Upper/Lower Holder Bracket

Provides support for the short pressure gun, quick connect lance, and stainless steel wand when they are not used.

Quick Connect Lance

Required to connect the stainless steel wand to the short pressure gun. Also serves as an auxiliary handle.

Stainless Steel Wand

Required to connect most of the nozzles.

Nozzles

Used to spray water at various flow rates, angles, and shapes for different applications.

Foam Cannon

Add detergent into the foam cannon to perform deep cleaning. Please follow concentration recommendations for specific foaming detergent.

Nozzle Cleaning Needle

Used to clear the nozzle blockage.

Quick-Coupler Set (x2)

Factory-installed onto the water outlet port, pressure hose, and short pressure gun for quick connection/disconnection.

Filter

Filters the water before it flows into the siphon hose.

Battery Cover

Protects the coin cell (button cell) battery inside and can be opened for replacement of the battery.

Trigger

Turns the water spraying on and off.

Lock-off Button

Helps to prevent accidental activation of the trigger. Press the unlock side of the button before the trigger can be activated.

Battery Pack Compartment

Accommodates two battery packs.

Battery-Release Button

Press to release the battery pack from the pressure washer.

PEAK POWER™

This technology combines the power of up to two EGO 56V ARC Lithium™ batteries for longer run time and efficient power draw.

OPERATOR PANEL

Power Button

Powers the pressure washer ON and OFF.

Speed Button

Allows the operator to select the desirable speed.

Speed Indicator

Displays one green light, two green lights, three green lights to indicate the pressure washer running at low, high, or TURBO speed respectively.

5-LED Fuel Gauge

Indicates the battery-charge level. When two battery packs are installed, it indicates the level of the one with the higher charge.

ASSEMBLY

⚠ WARNING: If any parts are damaged or missing, do not operate this product until the parts are replaced. Use of this product with damaged or missing parts could result in serious personal injury.

⚠ WARNING: Do not attempt to modify this product or create accessories not recommended for use with this product. Any such alteration or modification is misuse and could result in a hazardous condition leading to possible serious personal injury.

⚠ WARNING: To prevent accidental starting that could cause serious personal injury, always remove the battery pack(s) from the product when assembling parts.

UNPACKING

This product requires assembly.

- Carefully remove the product and any accessories from the box. Make sure that all items listed in the “**PACKING LIST**” are included.
- Inspect the product carefully to make sure no breakage or damage occurred during shipping.
- Do not discard the packing material until you have carefully inspected and satisfactorily operated the product.
- If any parts are damaged or missing, please return the product to the place of purchase.

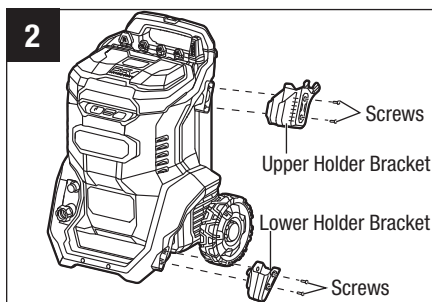
PACKING LIST

| PART NAME | | QUANTITY |
|---|----------------------|-----------------|
| Pressure Washer Unit | | 1 |
| High-pressure Hose | | 1 |
| Siphon Hose | | 1 |
| Short Pressure Gun | | 1 |
| Quick Connect Lance | | 1 |
| Stainless Steel Wand | | 1 |
| Quick-Coupler Set (Factory-installed onto the water outlet port, high-pressure hose, and short pressure gun) | | 2 |
| Foam Cannon | | 1 |
| Filter | | 1 |
| Nozzle Cleaning Needle | | 1 |
| Nozzles | 15° Nozzle | 1 |
| | 25° Nozzle | 1 |
| | 40° Nozzle | 1 |
| | Turbo nozzle | 1 |
| | Rinse Nozzle | 1 |
| Holder Bracket Assembly | Upper Holder Bracket | 1 |
| | Lower Holder Bracket | 1 |
| | Screw | 4 |
| Operator's Manual | | 1 |

INSTALLING THE HOLDER BRACKET ASSEMBLY (Fig. 2)

Required Tool (not provided): Phillips head screwdriver.

1. With the wide opening facing up, align the holes of the upper holder bracket with the holes on the upper side of the pressure washer.
2. Thread two screws into the holes, then tighten them securely.
3. Install the lower holder bracket following above steps in the similar fashion.

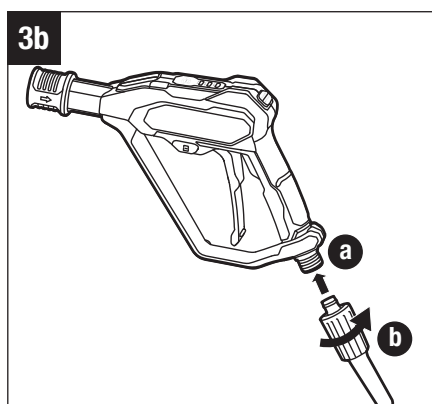
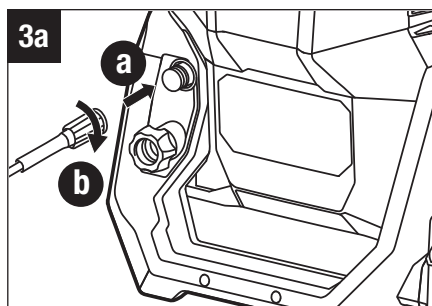


CONNECTING THE HIGH-PRESSURE HOSE (Fig. 3 – Fig. 5)

You may connect the high-pressure hose by one of the following ways:

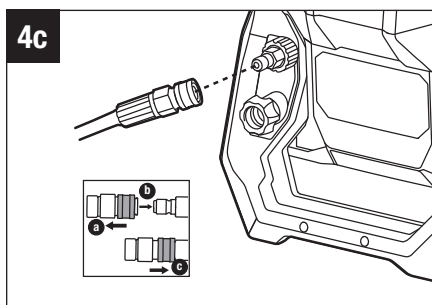
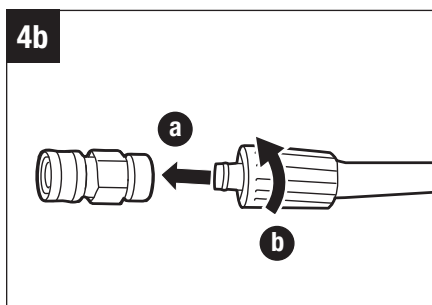
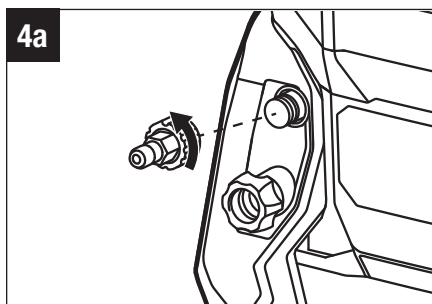
- Connect the high-pressure hose to the water outlet port and the gun directly through thread joints (Fig. 3a and 3b);
- Connect the high-pressure hose to the water outlet port and the gun using two quick-coupler sets to achieve easily installation/removal.

NOTE: The quick-coupler sets have been installed onto the water outlet port, high-pressure hose, gun at the factory. You could ignore steps 1 and 2, and only follow them when replacing the quick-coupler sets.

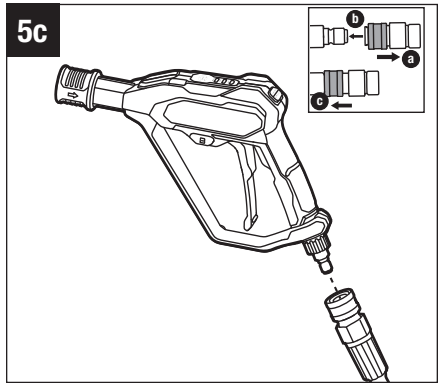
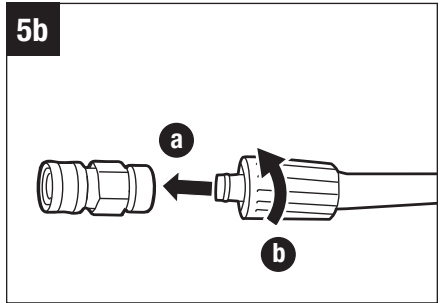
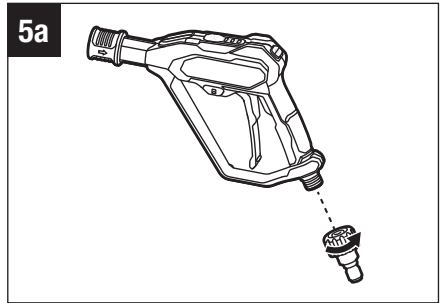


1. Tightly screw the internal threaded part of the quick-coupler onto the water outlet port (Fig. 4a).
2. Install one end of the high-pressure hose onto the external threaded part of the quick-coupler set, and then tightly secure them (Fig. 4b).
3. Pull back the collar of the quick-coupler end of the high-pressure hose, and then attach it onto the water outlet port until you hear a “click” (Fig. 4c).

To disconnect, pull back the collar of the quick-coupler to pull the high-pressure hose from the water outlet port.



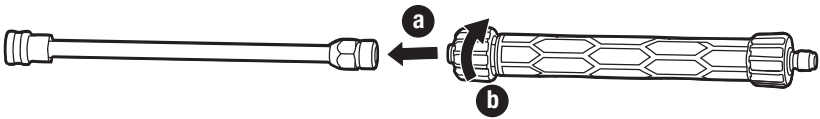
Follow above steps to install the quick-coupler set onto the other end of the high-pressure hose and the threaded end of the gun, then connect the high-pressure hose and the gun (Fig. 5).



CONNECTING THE QUICK CONNECT LANCE AND STAINLESS STEEL WAND (Fig. 6)

1. To connect the wand to the lance, install the external threaded end of the wand onto the internal threaded end of the lance, and then screw them together tightly (Fig. 6a).

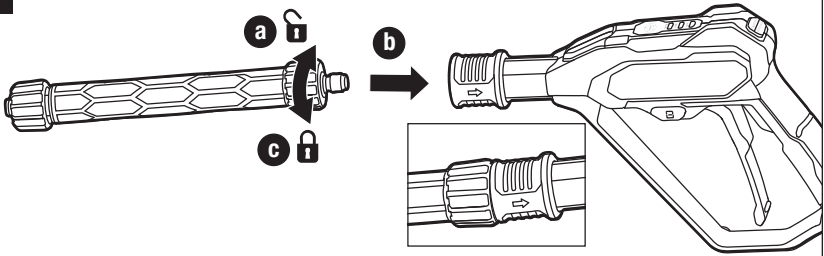
6a



2. To connect the lance to the gun (Fig. 6b):

- a. Screw the knob on the lance to fully expose its connection joint.
- b. Insert the lance into the quick-coupler of the gun until you hear a “click”. The outer ring of the quick-coupler will move forward automatically, which indicates the connection is established properly.
- c. Screw the knob on the lance to tighten the connection.

6b



To disconnect,

1. Screw the wand from the lance and then pull it out.
2. Screw the knob on the lance to loosen the connection, then pull back the outer ring of the quick-coupler of the gun to pull out the lance.

⚠ WARNING: Always hold the gun with one hand and the lance with the other hand when disconnecting the lance from the gun. Personal injury may result if the lance falls.

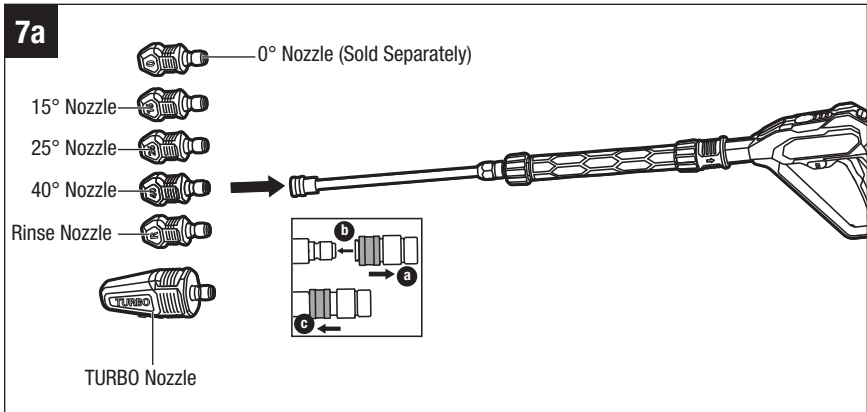
CONNECTING A NOZZLE (Fig. 7)

NOTE: The nozzles cannot be connected to the lance.

- Choose the 0° nozzle (sold separately), 15° nozzle, 25° nozzle, 40° nozzle, or Turbo nozzle to install onto the wand (Fig. 7a).

To connect, pull back the collar of the quick-coupler end of the wand, and then insert the nozzle until you hear a “click”.

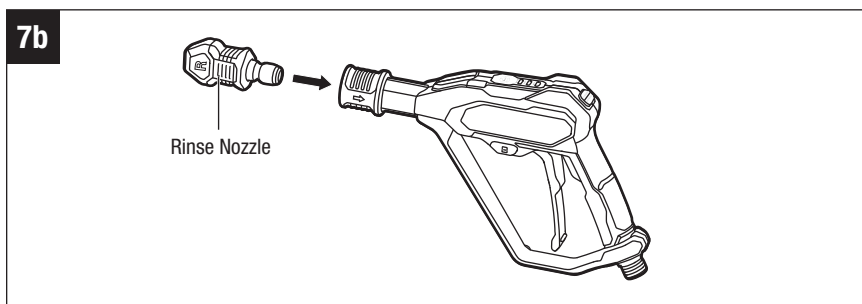
To disconnect, pull back the collar of the quick-coupler, and then pull out the nozzle.



- The rinse nozzle is connected to the gun directly (Fig. 7b).

To connect, insert the rinse nozzle into the outer ring of the quick-coupler end of the gun until you hear a “click”. The outer ring of the quick-coupler will move forward automatically, which indicates the connection is established. Tug on the nozzle to make sure it is securely attached.

To disconnect, pull back the outer ring of the quick-coupler, and then pull out the rinse nozzle.



⚠ WARNING: Always hold the gun with one hand and the nozzle with the other hand when disconnecting the nozzle from the gun. Personal injury may result if the nozzle jumps out.

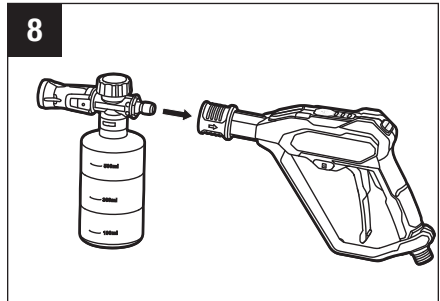
Use the table below to pick the right nozzle for the job.

| NOZZLE SELECTION | APPLICATIONS |
|------------------------------------|---|
| Red 0° Nozzle (sold separately) | Powerful cleaning at close range for metal or concrete surface. DO NOT USE ON WOOD. |
| Yellow 15° Nozzle | Clean small metal, concrete, or wood surfaces. |
| Green 25° Nozzle | Clean larger metal, concrete, or wood surfaces. |
| White 40° Nozzle | Clean wide metal, concrete, wood, or vinyl surfaces. |
| Gray Rinse Nozzle | Rinse vehicles. Rinse the detergent off of metal, concrete, wood, or vinyl. |
| Turbo Nozzle | Clean hard surfaces only. To prevent surface damage, do not use on cars and wooden surfaces. |

CONNECTING THE FOAM CANNON (Fig. 8)

The foam cannon is connected to the gun directly.

Pull back the outer ring of the quick-coupler end of the gun, and then attach the foam cannon until you hear a “click”. The outer ring of the quick-coupler will move forward automatically, which indicates the connection is established. Tug on the nozzle of the foam cannon to make sure it is securely attached.

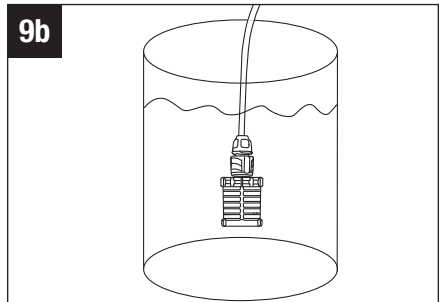
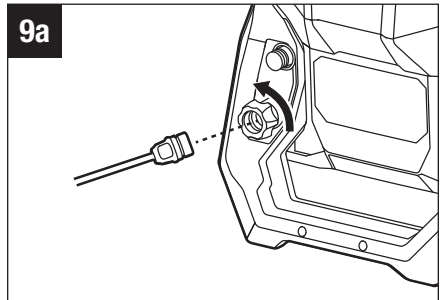


To disconnect, pull back the outer ring of the quick-coupler, and then pull out the foam cannon.

CONNECTING THE SIPHON HOSE (Fig. 9)

When using a water bucket (not provided) as a source of water, connect the siphon hose to the pressure washer.

1. Align the threaded end of the siphon hose with the water inlet port and tighten them securely by screwing the knob of the water inlet port (Fig. 9a).
2. Attach the filter to the quick-coupler of the siphon hose and then immerse the filter and the quick-coupler fully into the water (Fig. 9b).



NOTE: It is recommended to fully fill the bucket with water BEFORE inserting the filter and the quick-coupler. This way the filter and the quick-coupler will properly immerse. They may float if inserted into the empty bucket prior to filling it with water.

CONNECTING TO THE GARDEN HOSE (NOT PROVIDED)

When using water faucet (not provided) as a source of water, connect the pressure washer to a garden hose (not provided).

IMPORTANT: Always observe all local regulations when connecting hoses to the water main. Some areas have restrictions against connecting directly to public drinking water supply to prevent the feedback of chemicals into the drinking water supply. Direct connection through a receiver tank or backflow preventer is usually permitted.

The water supply must come from a water main. NEVER use hot water or water from pools, lakes, etc.

Before connecting the garden hose to the pressure washer:

- Run water through the hose for 30 seconds to clean any debris from the hose.
- Inspect the metal mesh in the water inlet port. If the metal mesh is damaged, do not use the machine until the metal mesh has been replaced. If the metal mesh is dirty, clean it.
- Completely uncoil the garden hose or remove it completely from reel to prevent kinks.

NOTE: There must be enough length of unrestricted hose between the water inlet port and the hose faucet or shut off valve (such as a “Y” shut off connector).

With the hose faucet turned completely off, attach the end of the garden hose to the washer.

OPERATION

⚠ WARNING: Do not allow familiarity with this product to make you careless. Remember that a careless fraction of a second is sufficient to inflict serious injury.

⚠ WARNING: Do not use any attachments or accessories not recommended by the manufacturer of this product. The use of attachments or accessories not recommended can result in serious personal injury.

⚠ WARNING: To prevent serious personal injury, remove the battery pack from the product before servicing, cleaning, changing attachments, or removing material from the product.

APPLICATION

You may use this product for the purposes listed below:

- Cleaning dirt on automobiles, walls, floors, etc.

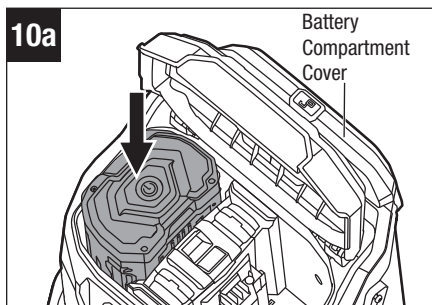
INSTALLING/REMOVING BATTERY PACK (Fig. 10)

Charge the battery pack(s) before first use!

NOTE: The pressure washer can be powered by one or two battery packs. Using two battery packs gives you a longer run time and efficient power draw managed by PEAK POWER™ technology.

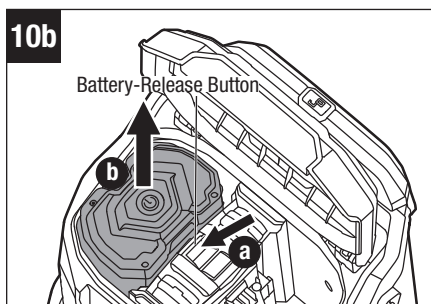
NOTE: Using one battery pack will not allow you achieve **TURBO speed**. For best performance, we strongly recommend use of two 5.0Ah or greater Ah battery packs.

1. The battery pack compartment cover is hinged. Raise the cover by lifting the front of the cover.
2. Align the grooves in the battery pack with the raised ribs in one of the battery compartments, and then insert the battery pack into the compartment (Fig. 10a).
3. Push the battery pack until you hear a “click”. The battery-release button will spring up when the battery pack is securely attached.



NOTICE: Make sure that the latch in the battery compartment(s) snaps into place and that the battery pack(s) are secured to the unit before starting operation.

4. Attach the other battery pack into the other battery compartment in the same way.
5. **To detach the battery pack,** depress the battery-release button to release the battery pack, and then lift it out of the compartment (Fig. 10b).



6. Close the battery pack compartment cover.

⚠ WARNING: Always remove the battery pack when the pressure washer is not in use.

STARTING/STOPPING THE PRESSURE WASHER (Fig. 11)

To Start the Pressure Washer

NOTICE: Do not start the pressure washer without water supply connected and turned on. This may damage the high-pressure seals and decrease pump life.

1. Ensure that the siphon hose, high-pressure hose, gun, nozzle are connected properly.
2. Connect lance, wand, foam cannon, filter according to your needs.
3. Choose one of below water supply ways:
 - When using a garden hose (not provided), connect the pressure washer to the garden hose and then open the water faucet.
 - When using a water bucket, connect the filter to the siphon hose and then immerse the filter and the quick-coupler joint fully into the water bucket.
4. Install the battery pack(s) into the pressure washer.
5. Press the power button to power on the pressure washer. The washer will always run at high speed after each start.

NOTE: When the pressure washer is powered on but with no further actions, the washer will turn off automatically after 5 minutes of standby. During the first several minutes of standby, the speed indicator on the pressure washer will flash three green lights, which indicates there is no water flowing into the siphon hose.

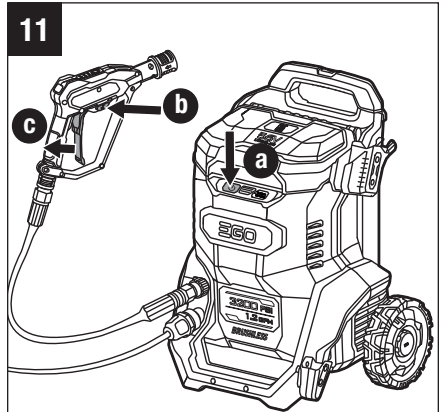
6. Hold the gun with both hands, press the unlock side of the lock-off button and then squeeze the trigger until a steady water flow is produced.

NOTE: If the lance is connected, hold the gun with one hand and the lance with the other hand.

7. Start spray washing.

NOTE: It may take some time for the water to travel from the source and come out of the nozzle as a steady spray. To achieve a steady water flow quickly, you may want to:

- a. Remove the nozzle.
- b. Press the trigger and wait until a steady water stream starts coming out of the wand.
- c. Release the trigger and re-install the nozzle.



⚠ WARNING: Car tires and/or tire valves may only be cleaned from a minimum distance of 11-3/4" (30 cm) in order to avoid damages by the high-pressure jet. The first indication of damage is the discoloration of the tire. Damaged car tires or tire valves present a risk of injury.

To Stop the Pressure Washer

1. Once the washing is completed, release the trigger and press the lock-off button to lock position.
2. Press the power button to power down the pressure washer.
3. Close the water faucet or remove the siphon hose from the water bucket.
4. **Press the lock-off button of the gun to the unlock position and squeeze the trigger to empty the water from the hoses.**

NOTICE: The gun, hoses, wands, nozzles, or foam cannon should not be disconnected for as long as the water remains in the hoses.

5. Disconnect and remove the gun, hoses, wands, nozzles, or foam cannon.
6. Press the power button to power on the pressure washer to empty the water in the pressure washer.
7. Press the power button again to power down the pressure washer.
8. Remove the battery pack(s).

REMOTE CONTROL

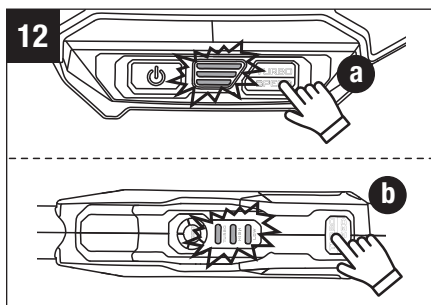
The gun can be paired with the pressure washer to function as a remote control.

Short Pressure Gun Pairing (Fig. 12)

1. Insert the battery pack(s) and power on the high pressure washer.
2. Long-press the speed button on the high pressure washer unit until its three green lights start flashing.

NOTE: The flashing will last approximately 20 s, so the gun can be paired only during this time. You could also short-press the speed button on the washer to exit the pairing mode any time.

3. Long-press the speed button on the gun until its three green lights start flashing, which means the pairing process has started.



NOTE: The flashing indicating the pairing process will last approximately 10 s. You could short-press the speed button on the gun to exit the pairing process any time.

4. The speed indicators on the washer and the gun will display three green lights together for 3 s to indicate the pairing was successful, then display two green lights.
5. If the pairing has failed, the speed indicators on the washer and the gun will flash three green lights and then turn off.

Using the Remote Control

After the pairing is completed, press the speed button once on the gun, the 5-LED fuel gauge and speed indicator will light up. Press the speed button again to actually change the speed.

NOTE:

- The 5-LED fuel gauge and speed indicator will shut off when there is no further action on the speed button of the gun within 10 s.
- The 5-LED fuel gauge indicates the battery-charge level. When two battery packs are installed, it indicates the level of the battery pack with the higher charge.
- The speed indicator on the gun is always synchronized with the speed indicator on the pressure washer unit.

SPEED SELECTION

- The speed of the pressure washer could be adjusted by the speed button on either the washer or the paired gun.
- The speed of the pressure washer could be adjusted when the washer is powered on or during spraying.
- Every time the speed button is pressed, the speed will toggle among high level, TURBO level and low level. The speed indicator displays one green light, two green lights, or three green lights to indicate the pressure washer running at low speed, high speed, or TURBO speed, respectively.

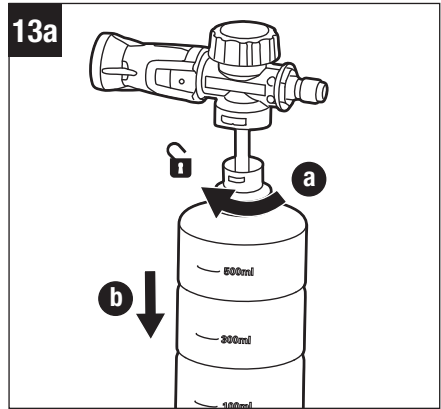
NOTE: WHEN ONLY ONE BATTERY PACK IS INSERTED, THE TURBO SPEED COULD NOT BE ACHIEVED AND EVERY TIME THE SPEED BUTTON IS PRESSED, THE SPEED WILL TOGGLE BETWEEN HIGH LEVEL AND LOW LEVEL.

NOTE: If the pressure washer keeps operating at TURBO speed, the runtime per charge may be affected.

CLEANING WITH DETERGENT (Fig. 13)

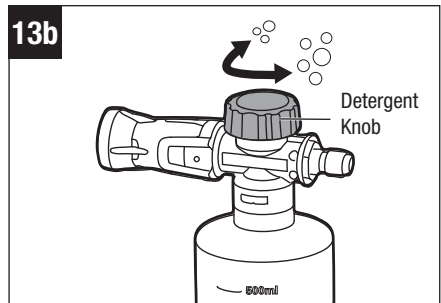
⚠ WARNING: Only use detergents specifically made for use with pressure washers. Comply with the application, disposal, and safety instructions of the detergent manufacturer.

1. Turn the bottle of the foam cannon counterclockwise and remove it (Fig. 13a).
2. Pour detergent into the bottle.



NOTICE: The temperature of the detergent should not exceed 140 °F (60 °C).

3. Replace the foam cannon and connect it to the quick-coupler of the gun.
4. Rotate the detergent knob to adjust the amount of detergent added to the water flow according to your needs (Fig. 13b).
5. Open the water faucet or immerse the siphon hose filter and quick-coupler joint fully into the water bucket, start the pressure washer and spray the detergent on a dry surface using long, even, overlapping strokes. To prevent streaking, do not allow detergent to dry on the surface.



NOTE: It is recommended to select low speed for gentle cleaning.

MAINTENANCE

⚠ WARNING: To prevent serious personal injury, remove the battery pack from the product before servicing, cleaning, changing attachments, or removing material from the unit.

⚠ WARNING: When servicing, use only identical replacement parts. Use of any parts that do not meet the original equipment specifications may create a hazard or cause product damage. To ensure safety and reliability, all repairs should be performed by a qualified service technician.

NOTICE: Periodically inspect the entire product for damaged, missing, or loose parts such as screws, nuts, bolts, caps, etc. Tighten securely all fasteners and caps and do not operate this product until all missing or damaged parts are replaced.

GENERAL MAINTENANCE

Avoid using solvents when cleaning plastic parts. Most plastics are susceptible to damage from various types of commercial solvents and may be damaged by their use. Use clean cloth to remove dirt, dust, oil, grease, etc.

⚠ WARNING: Do not at any time let brake fluids, gasoline, petroleum-based products, penetrating oils, etc., come in contact with plastic parts. Chemicals can damage, weaken or destroy plastic which may result in serious personal injury.

REPLACING THE COIN CELL BATTERY (Fig. 14)

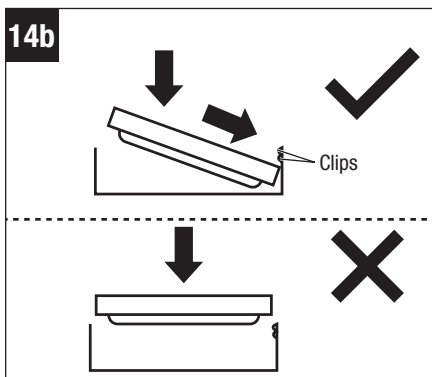
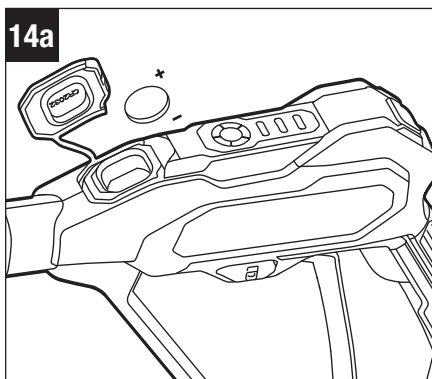
When the remote control and LED indicators on the gun stop working, the battery capacity is low.

1. Open the battery cover and remove the old battery (Fig. 14a).
2. Observing the correct polarity (+ and -), tilt the new battery and insert it below the two clips in the battery compartment first, then push the battery into the compartment (Fig. 14b).

NOTICE: Never push the battery directly into the compartment. Otherwise, the two clips will be damaged, causing failure of the gun remote control.

3. Close the cover.

NOTE: You will need to again pair the gun with the pressure washer after the coin cell battery is replaced following the instructions in the section “**Short Pressure Gun Pairing**”.



| Required Battery | Model |
|---------------------------------|--------|
| Coin cell (button cell) Battery | CR2032 |

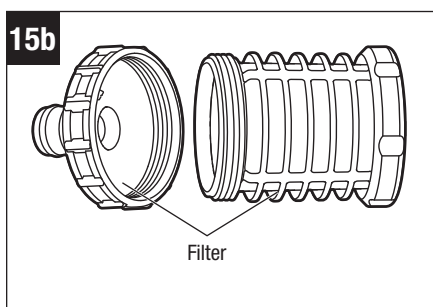
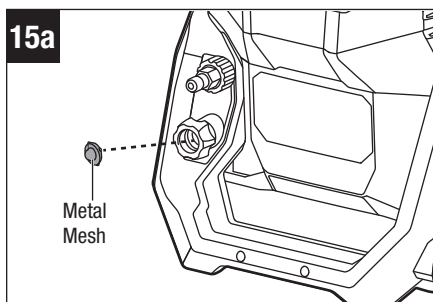
⚠ WARNING: Chemical Burn Hazard. Do not ingest battery. Keep new and used batteries away from children. If you think batteries might have been swallowed or placed inside any part of the body, seek immediate medical attention.

This product contains a lithium coin/button cell battery. If a new or used lithium coin/button cell battery is swallowed or enters the body, it can cause severe internal burns and can lead to death in as little as 2 hours.

⚠ WARNING: Always completely secure the battery compartment. If the battery compartment does not close securely, stop using the product, remove the batteries, and keep it away from children.

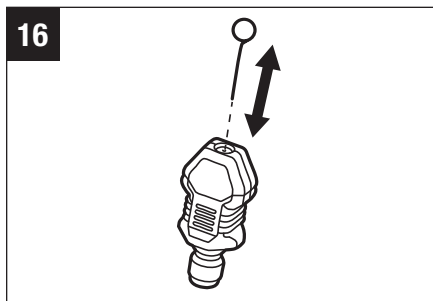
CLEANING THE FILTERS (Fig. 15)

- Take out the metal mesh from the water inlet port, rinse the metal mesh or replace it if necessary (Fig. 15a).
- When using a water bucket as the water source for the pressure washer, check and clean the filter periodically. Remove the filter from the quick-coupler of the siphon hose, screw out the filter, and then rinse it thoroughly (Fig. 15b).



CLEANING THE NOZZLES (Fig. 16)

When the holes of the nozzles are blocked, you may use the provided nozzle cleaning needle to pass through the holes and remove blockage.



TRANSPORTING THE PRESSURE WASHER (Fig. 17)

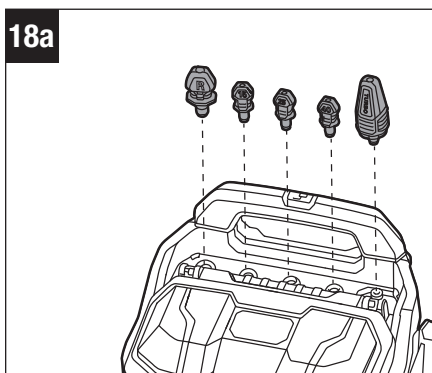
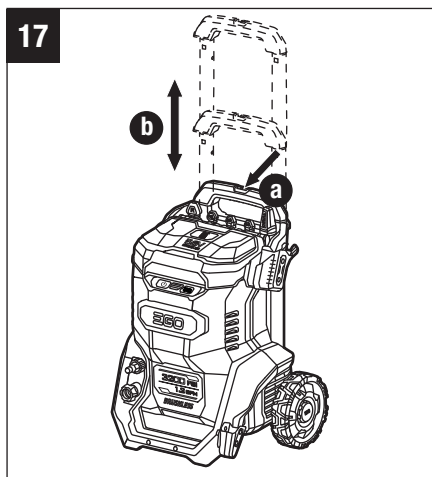
⚠ WARNING: Always remove the battery pack from the pressure washer when transporting. Removing the battery pack will prevent accidental starting that could cause serious personal injury.

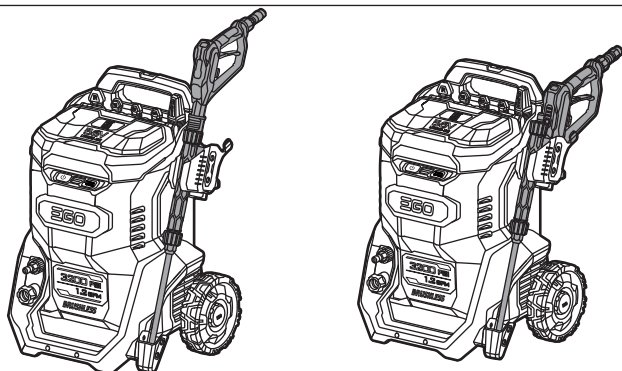
Press the handle lock button, and then pull out the telescopic handle to the first length level until you hear a “click”. If desired, you may press the handle lock button, and then pull the telescopic handle out to the second length level.

When the telescopic handle is not used, press the handle lock button and then push the telescopic handle all the way down.

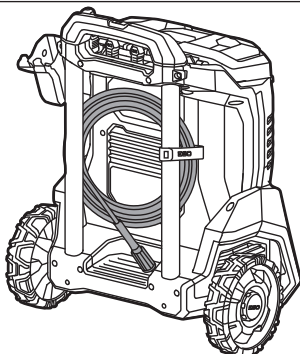
STORING THE PRESSURE WASHER (Fig. 18)

1. Stop the pressure washer, release pressure, empty water, and remove the battery pack from the pressure washer following the instructions in the section “**To Stop the Pressure Washer**”.
2. Store nozzles in the nozzle storage area of the pressure washer (Fig. 18a).
3. Store the gun, lance, and wand assembly into the holder brackets or disconnect the gun and store it in the upper holder brackets (Fig. 18b).



18b


4. Roll up the high-pressure hose, store it behind the telescopic handle and secure it using the hose holder strap (Fig. 18c).
5. Clean the pressure washer thoroughly before storing it.
6. Store the pressure washer in a dry, well-ventilated area, locked-up or up high, out of the reach of children. Do not store the pressure washer on or adjacent to fertilizers, gasoline, or other chemicals.

18c


WINTERIZING THE PRESSURE WASHER

Winterizing a pressure washer is essential to protect from freezing temperatures, which can cause damage to the pump, hoses, and other components.

1. **Turn off the pressure washer.** Make sure the pressure washer is turned off and the battery packs are removed.
2. **Release pressure.** Squeeze the trigger on the gun to release any remaining pressure in the system. This could prevent the pressure build-up during the winterization process.
3. **Disconnect hoses and accessories.** Remove all hoses, gun, and other accessories from the pressure washer. Drain any water from the hoses by holding them in a vertical position allowing the water to drain out.

4. **Connect a pressure washer pump protector (sold separately) to the water inlet port for treatment.**
5. **Use a pressure washer pump protector and dispense the liquid.** Once the liquid exits the water outlet port, your pressure washer is protected and winterized.

TROUBLESHOOTING

| PROBLEM | CAUSE | SOLUTION |
|--|--|--|
| The pressure washer fails to be powered on. | <ul style="list-style-type: none"> ■ Battery pack charge is low. | <ul style="list-style-type: none"> ■ Charge the battery pack. |
| | <ul style="list-style-type: none"> ■ Battery pack is not installed properly. | <ul style="list-style-type: none"> ■ Slide the battery pack into the battery compartment until it snaps into position. |
| The TURBO speed could not be activated. | <ul style="list-style-type: none"> ■ Only one battery pack is used for the washer operation. | <ul style="list-style-type: none"> ■ Use two 5.0Ah or greater Ah battery packs. |
| The pressure washer pump stops working and the speed indicator on the washer flashes three green lights. | <ul style="list-style-type: none"> ■ The pressure washer or the battery pack(s) are over temperature. | <ul style="list-style-type: none"> ■ Wait until the pressure washer or battery pack(s) return to the operating temperature and then restart the washer. |
| | <ul style="list-style-type: none"> ■ The nozzle is blocked. | <ul style="list-style-type: none"> ■ Use the nozzle cleaning needle to pass through the holes. |
| | <ul style="list-style-type: none"> ■ No water flows into the siphon hose. | <ul style="list-style-type: none"> ■ Check and ensure there is water flowing into the siphon hose properly. |
| | <ul style="list-style-type: none"> ■ Battery pack charge is low. | <ul style="list-style-type: none"> ■ Charge the battery pack. |
| | <ul style="list-style-type: none"> ■ Other electronic fault(s). | <ul style="list-style-type: none"> ■ Contact EGO customer service. |

| PROBLEM | CAUSE | SOLUTION |
|---|---|---|
| <p>The water flow is low during spraying.</p> | <ul style="list-style-type: none"> ■ The filter is blocked partially. | <ul style="list-style-type: none"> ■ Clean the filter. |
| | <ul style="list-style-type: none"> ■ The metal mesh in the water inlet port is blocked partially. | <ul style="list-style-type: none"> ■ Remove and clean the metal mesh. |
| | <ul style="list-style-type: none"> ■ The filter and quick-coupler joint of the siphon hose is not fully immersed into water. | <ul style="list-style-type: none"> ■ Fully immerse the filter and quick-coupler joint into water. |
| | <ul style="list-style-type: none"> ■ The siphon hose is folded. | <ul style="list-style-type: none"> ■ Unfold the siphon hose or replace it. |
| | <ul style="list-style-type: none"> ■ Water is dirty. | <ul style="list-style-type: none"> ■ Use only clean water. |
| | <ul style="list-style-type: none"> ■ The high-pressure hose is blocked. | <ul style="list-style-type: none"> ■ Remove the nozzle, and then start water spraying from the hose to clear the blockage of the hose. |
| <p>There's no water spraying out.</p> | <ul style="list-style-type: none"> ■ There is no water supply. | <ul style="list-style-type: none"> ■ Check and ensure the washer is connected to the water supply properly. |
| | <ul style="list-style-type: none"> ■ The filter is blocked completely. | <ul style="list-style-type: none"> ■ Clean the filter. |
| | <ul style="list-style-type: none"> ■ The metal mesh in the water inlet port is block completely. | <ul style="list-style-type: none"> ■ Remove and clean the metal mesh. |
| | <ul style="list-style-type: none"> ■ The nozzle is blocked. | <ul style="list-style-type: none"> ■ Use the nozzle cleaning needle to pass through the holes. |
| | <ul style="list-style-type: none"> ■ Pump, hoses, or other components are frozen. | <ul style="list-style-type: none"> ■ Wait until they are thawed. |
| <p>The water flow is not stable.</p> | <ul style="list-style-type: none"> ■ Air flows into the washer. | <ul style="list-style-type: none"> ■ Check and ensure the siphon hose is connected properly. |
| | <ul style="list-style-type: none"> ■ Pump seals are worn. | <ul style="list-style-type: none"> ■ Contact EGO customer service. |

| PROBLEM | CAUSE | SOLUTION |
|--|--|---|
| <p>The water spraying starts or stops automatically.</p> | <ul style="list-style-type: none"> ■ The high-pressure hose is damaged. | <ul style="list-style-type: none"> ■ Replace with new high-pressure hose. |
| | <ul style="list-style-type: none"> ■ There's water leakage from the gun. | <ul style="list-style-type: none"> ■ Contact EGO customer service. |
| | <ul style="list-style-type: none"> ■ Pump seals, hose seals are worn. | |
| <p>The gun cannot control the washer.</p> | <ul style="list-style-type: none"> ■ The position of the gun is beyond wireless connection range. | <ul style="list-style-type: none"> ■ Take the gun closer to the pressure washer. |
| | <ul style="list-style-type: none"> ■ The coin cell (button cell) battery charge is low. | <ul style="list-style-type: none"> ■ Replace with a new coin cell (button cell) battery. |
| | <ul style="list-style-type: none"> ■ The gun is not paired properly. | <ul style="list-style-type: none"> ■ Complete the pairing following the instructions in the section "Short Pressure Gun Pairing". |
| | <ul style="list-style-type: none"> ■ Coin cell battery is not installed properly. | <ul style="list-style-type: none"> ■ Install the coin cell battery following the instructions in the section "REPLACING THE COIN CELL BATTERY". |



EGO LIMITED WARRANTY

WARRANTY POLICY TERMS AND DURATION

Chervon North America, Inc. (“Chervon North America”) provides the following Limited Warranty for EGO products to the original purchaser of EGO products.

The detailed warranty period for each EGO product can be found online at <http://egopowerplus.com/warranty-policy>.

Please contact EGO Customer Service Toll-Free at 1-855-EGO-5656 any time you have questions or warranty claims or would like a hard copy of the warranty.

LIMITED SERVICE WARRANTY

EGO products are warranted against defects in material or workmanship from the date of original retail purchase for the applicable warranty period. For any properly and timely submitted warranty claim, if Chervon North America determines a product to be defective during the warranty period, the product will receive free repair or replacement as determined by Chervon North America.

HOW TO OBTAIN SERVICE

For warranty service, within the applicable warranty period, please contact EGO customer service toll-free at **1-855-EGO-5656**. When requesting warranty service, you must present the original dated sales receipt. An authorized service center will be selected to evaluate and repair the product if defective according to the stated warranty terms. When bringing your product to the authorized service center, there may be a small deposit that will be required when dropping off your tool. This deposit is refundable when the repair service is deemed to be covered under warranty.

ADDITIONAL LIMITATIONS & EXCLUSIONS

This limited warranty applies only to the original purchaser from an authorized EGO retailer and is not transferable. EGO products shall not be considered defective, and this warranty will not apply, where the claimed defect is attributable to any cause other than the above-defined defects. This warranty shall be void if the product has been used for rental purposes. This warranty shall not apply to damage caused by accident, abuse, misuse, alteration, modification, unauthorized repair, liquid contact, fire, earthquake or other external cause; operating the product outside EGO’s instructions, specifications or guidelines; or failure to properly service of maintain the product. This warranty also



does not apply to cosmetic damage, including but not limited to scratches or dents; defects caused by normal wear and tear or otherwise due to the normal aging of the product.

THIS EXPRESS WARRANTY IS GIVEN IN LIEU OF ALL OTHER WARRANTIES, EXPRESS OR IMPLIED, INCLUDING, BUT NOT LIMITED TO, ANY WARRANTIES OF MERCHANTABILITY OR FITNESS FOR PARTICULAR PURPOSE OR USE, WHICH ARE DISCLAIMED. Any implied warranties, including warranties of merchantability or fitness for a particular purpose, that cannot be disclaimed under state law are limited to the applicable warranty period defined at the beginning of this article. The sole and exclusive remedy in connection with the purchase, installation, use, and/or performance of the EGO products is repair or replacement of the product as determined by Chervon North America. Chervon North America's maximum liability shall not in any case exceed the purchase price paid for the product. CHERVON NORTH AMERICA SHALL NOT BE LIABLE TO THE USER OR TO ANYONE ELSE FOR CONSEQUENTIAL, INCIDENTAL, SPECIAL, EXEMPLARY, INDIRECT, OR PUNITIVE DAMAGES ARISING FROM USE OF THE PRODUCTS, INCLUDING BUT NOT LIMITED TO PERSONAL INJURY, DEATH, PROPERTY DAMAGE, LOST PROFITS, OR OTHER ECONOMIC INJURY. This warranty gives you specific legal rights, and you may also have other rights which vary from state to state. Some states do not allow limitations on how long an implied warranty lasts, the exclusion or limitation of incidental or consequential damages, or the limitations on time to bring certain actions, so such limitations contained herein do not apply to individual consumers in those states.

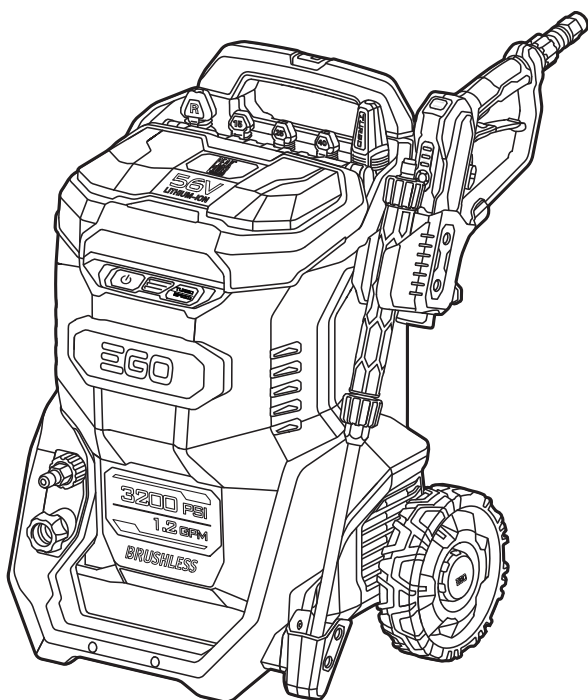
This warranty is subject to and shall be interpreted according to Michigan law without regard to principles of conflicts of laws. No legal action shall be brought against Chervon North America unless filed within one (1) year after the basis for such legal action becomes known, or with the exercise of reasonable diligence should have become known. Any action not timely filed shall be deemed waived.

For customer service contact us toll-free at: **1-855-EGO-5656** or **EGOPOWERPLUS.COM**.

EGO Customer Service
769 Seward Ave. NW, Suite 102
Grand Rapids, Michigan 49504.

EGO™

POWER+ PRESSURE WASHER



MANUAL DEL USUARIO

LAVEUSE À HAUTE PRESSION À PILES AU LITHIUM-ION DE 56 VOLTS

NÚMERO DE MODELO HPW3200/HPW3200-FC

⚠ AVERTISSEMENT: Afin de réduire les risques de blessure, l'utilisateur doit lire et comprendre le guide d'utilisation avant d'utiliser ce produit. Conservez le présent mode d'emploi afin de pouvoir le consulter ultérieurement.

LISEZ TOUTES LES INSTRUCTIONS!



LISEZ LE MODE D'EMPLOI ET
ASSUREZ-VOUS QUE VOUS LE COMPRENEZ

TABLE DES MATIÈRES

| | |
|--|-------|
| Symboles de sécurité | 45-46 |
| Symboles | 47-48 |
| Consignes de sécurité pour la laveuse à haute pression | 49-50 |
| Introduction | 51 |
| Caractéristiques techniques | 52 |
| Accessoire | 53 |
| Description | 54-59 |
| Assemblage | 60-69 |
| Fonctionnement | 70-76 |
| Maintenance | 77-82 |
| Recherche de la cause des problèmes | 83-85 |
| Garantie limitée EGO | 86-88 |

SYMBOLES DE SÉCURITÉ

L'objectif des symboles de sécurité est d'attirer votre attention sur les dangers potentiels. Vous devez examiner attentivement et bien comprendre les symboles de sécurité et les explications qui les accompagnent. Les symboles d'avertissement en tant que tels n'éliminent pas le danger. Les consignes et les avertissements qui y sont associés ne remplacent en aucun cas les mesures préventives adéquates.

⚠ AVERTISSEMENT: Assurez-vous de lire et de comprendre toutes les consignes de sécurité présentées dans le présent mode d'emploi, notamment toutes les consignes de sécurité indiquées par « **DANGER** », « **AVERTISSEMENT** » et « **MISE EN GARDE** ». Le non-respect des consignes de sécurité ci-dessous peut occasionner une décharge électrique, un incendie ou des blessures graves.

Les définitions ci-dessous décrivent le niveau de gravité pour chaque terme signalant un danger. Veuillez lire le mode d'emploi et regarder la signification de ces symboles

| | |
|---|--|
|  | <p>C'est le symbole d'alerte relatif à la sécurité. Il est utilisé pour vous avertir de l'existence possible d'un danger de lésion corporelle. Obéissez à tous les messages relatifs à la sécurité qui suivent ce symbole pour éviter tout risque de blessure ou même de mort.</p> |
|  | <p>DANGER indique une situation dangereuse qui, si elle n'est pas évitée, causera la mort d'une personne ou une blessure grave.</p> |
|  | <p>AVERTISSEMENT indique une situation dangereuse qui, si elle n'est pas évitée, pourrait causer la mort d'une personne ou une blessure grave.</p> |
|  | <p>MISE EN GARDE, conjointement avec le symbole d'alerte en liaison avec la sécurité, indique une situation dangereuse qui, si elle n'est pas évitée, causera une blessure légère ou modérée.</p> |

MESSAGES D'INFORMATION ET DE PRÉVENTION DES DOMMAGES

Ils informent l'utilisateur d'informations et/ou d'instructions importantes qui pourraient entraîner des dommages matériels ou aux équipements s'ils ne sont pas suivis. Chaque message est précédé par le terme « AVIS », comme dans l'exemple ci-dessous :

AVIS : Un dommage matériel et/ou aux équipements peut survenir si ces instructions ne sont pas suivies.

SYMBOLES

Cette page représente et décrit les symboles qui peuvent figurer sur ce produit. Lisez toutes les instructions figurant sur le produit avant de l'assembler et de commencer à l'utiliser, assurez-vous que vous les comprenez, et suivez-les.

| | | |
|-------|---|---|
| | Alerte de sécurité | Précautions en liaison avec votre sécurité. |
| | Lisez le mode d'emploi, et assurez-vous que vous le comprenez. | Pour réduire le risque de blessure, l'utilisateur doit lire le mode d'emploi et s'assurer qu'il le comprend avant de commencer à utiliser ce produit. |
| | Ne raccordez pas cet équipement à une source d'alimentation en eau potable. | Le produit n'est pas conçu pour être raccordé à une source d'alimentation en eau potable. |
| IP... | Indice de protection pour la pénétration (PP) | Le produit n'est pas conçu pour être raccordé à une source d'alimentation en eau potable. |
| °F | Degrés Fahrenheit | Température |
| °C | Degrés Celsius | Température |
| lbs | lb | Poids |
| kg | Kilogramme | Poids |
| PSI | Livres par pouce carré | Pression |
| MPa | Mégapascal | Pression |
| GPM | Gallons par minute | Débit |
| L/min | Litres/minute | Débit |

CONSIGNES DE SÉCURITÉ POUR LA LAVEUSE À HAUTE PRESSION

⚠ AVERTISSEMENT: Risque de blessure. Ne dirigez pas le flux de décharge vers les personnes se trouvant à proximité.

⚠ AVERTISSEMENT: Des précautions élémentaires doivent toujours être prises lors de l'utilisation de ce produit, notamment les précautions suivantes :

- Lisez toutes les instructions avant de commencer à utiliser ce produit.
- Pour réduire le risque de blessure, une supervision attentive est nécessaire lorsqu'un produit est utilisé à proximité d'enfants.
- Apprenez comment arrêter le produit et réduire rapidement la pression. Familiarisez-vous avec les commandes.
- Restez alerte – Surveillez attentivement ce que vous êtes en train de faire.
- N'utilisez pas le produit pendant que vous êtes sous l'influence d'alcool ou de drogues, ou lorsque vous êtes fatigué(e).
- Veillez à ce que la zone d'utilisation soit dégagée et qu'il n'y ait personne à proximité.
- N'utilisez pas la laveuse à haute pression si le temps est mauvais, en particulier s'il existe un risque de foudre. Ceci réduit le risque d'être frappé par la foudre.
- Ne raccordez pas cet équipement à une source d'alimentation en eau potable. Le produit n'est pas conçu pour être raccordé à une source d'alimentation en eau potable.
- Ne vous penchez pas trop en avant et ne vous tenez pas sur un support instable. Veillez à toujours garder un bon équilibre et un appui stable.
- Suivez les instructions figurant dans le mode d'emploi pour la maintenance.
- Prévenez une mise en marche accidentelle. Assurez-vous que l'interrupteur est dans la position d'arrêt avant de le connecter au bloc-piles, ou de soulever ou de transporter votre équipement. Le fait de transporter cet équipement avec le doigt sur l'interrupteur ou de le mettre sous tension avec l'interrupteur en position de marche invite les accidents.
- Débranchez le bloc-piles de votre équipement avant d'y apporter de quelconques modifications, de changer des accessoires ou de ranger cet équipement. De telles mesures de sécurité préventives réduisent le risque de démarrage accidentel de l'outil.

- Ne rechargez cet équipement qu'avec le chargeur indiqué par le fabricant. Un chargeur qui est approprié pour un type de bloc-piles pourrait créer un risque d'incendie quand il est utilisé avec un autre bloc-piles.
- Utilisez cet équipement exclusivement avec des blocs-piles conçus spécifiquement pour celui-ci. L'emploi de tout autre bloc-piles risquerait de causer des blessures et un incendie.
- Lorsque le bloc-piles n'est pas utilisé, gardez-le à une distance suffisante des autres objets en métal, comme des trombones, pièces de monnaie, clés, clous, vis ou autres petits objets en métal qui pourraient établir une connexion entre une borne et une autre. Le court-circuitage des bornes d'une pile pourrait causer des brûlures ou un incendie.
- Dans des conditions d'utilisation abusives, du liquide pourrait être éjecté de la pile; évitez tout contact avec ce liquide. En cas de contact accidentel, lavez avec de l'eau. En cas de contact de liquide avec les yeux, consultez un professionnel de santé. Tout liquide éjecté d'une pile peut causer de l'irritation ou des brûlures.
- N'utilisez pas un bloc-piles ou un équipement qui est endommagé ou qui a été modifié. Des piles endommagées ou modifiées peuvent se comporter de façon imprévisible et causer un incendie, une explosion ou des blessures.
- N'exposez pas un bloc-piles ou un équipement électrique à un incendie ou à une température excessive. L'exposition à un feu ou à une température supérieure à 130° C / 265° F pourrait causer une explosion.
- Suivez toutes les instructions relatives à la charge et ne chargez pas le bloc-piles ou l'équipement en dehors de la plage de température indiquée dans les instructions. Une charge dans des conditions appropriées ou à des températures en dehors de la plage spécifiée pourrait endommager les piles et augmenter le risque d'incendie.
- Faites entretenir votre produit par un réparateur compétent n'utilisant que des pièces de rechange identiques. Ceci assurera le maintien de la sécurité du produit.
- Ne modifiez pas et ne tentez pas de réparer cet équipement ou le bloc-piles (suivant le cas), sauf conformément à ce qui est indiqué dans les instructions d'utilisation et dans le mode d'emploi.

- **N'utilisez qu'avec les blocs-piles et les chargeurs indiqués ci-dessous :**

| BLOC-PILE | CHARGEUR |
|--|---|
| BA1400, BA1400-FC, BA2800, BA2800-FC, BA4200, BA4200-FC, BA1400T, BA1400T-FC, BA2242T, BA2242T-FC, BA2800T, BA2800T-FC, BA3360T, BA3360T-FC, BA4200T, BA4200T-FC, BA4480T, BA4480T-FC, BA5600T, BA5600T-FC, BA6720T, BA6720T-FC | CH2100, CH2100-FC, CH3200, CH3200-FC, CH5500, CH5500-FC, CH2800D, CH2800D-FC, CH7000, CH7000-FC |

CONSERVEZ CES INSTRUCTIONS ! Consultez-les fréquemment et utilisez-les pour donner les instructions nécessaires à d'autres personnes qui peuvent utiliser cet appareil. Si vous prêtez cet appareil à quelqu'un d'autre, remettez également ces instructions à la personne à laquelle vous le prêtez pour éviter toute utilisation inappropriée du produit et tout risque de blessure.

INTRODUCTION

Félicitations pour votre choix de cette laveuse à haute pression au lithium-ion de 56 V. Elle a été conçue, développée et fabriquée pour vous donner le plus possible de fiabilité et de rendement.

Si vous éprouvez un problème que vous n'arrivez pas à régler facilement, veuillez communiquer avec le centre de service à la clientèle d'EGO au 1 855 EGO-5656.

Le présent guide contient des renseignements importants pour assembler, utiliser et entretenir en toute sécurité votre produit. Lisez-le soigneusement avant d'utiliser le produit. Conservez ce guide à portée de main afin de pouvoir le consulter à tout moment.

NUMÉRO DE SÉRIE _____ DATE D'ACHAT _____

NOUS VOUS RECOMMANDONS DE NOTER LE NUMÉRO DE SÉRIE ET LA DATE D'ACHAT ET DE LES CONSERVER EN LIEU SÛR AFIN DE POUVOIR LES CONSULTER ULTÉRIEUREMENT.

CARACTÉRISTIQUES TECHNIQUES

| | |
|---|--|
| Tension | 56 V |
| Pression nominale maximum | 3 200 psi / 22 MPa |
| Débit nominal maximum (avec lance à connexion rapide et rallonge en acier inoxydable connectée) | 4,5 l/min / 1,2 GPM |
| Débit nominal maximum (avec seulement un pistolet à pression courte connecté) | 7,5 l/min / 2,0 GPM |
| Indice de protection contre la pénétration | IPX5* (Protection contre les jets d'eau) |
| Température de fonctionnement recommandée | 5° C – 40° C / 41° F – 104° F |
| Température de stockage recommandée | -20° C – 70° C / -4° F – 158° F |
| Poids (sans le bloc-piles) | 16,4 kg / 36,2 lb |

* **REMARQUE** : La notation IPX5 est valable lorsque le compartiment des piles est correctement fermé.

ACCESSOIRES

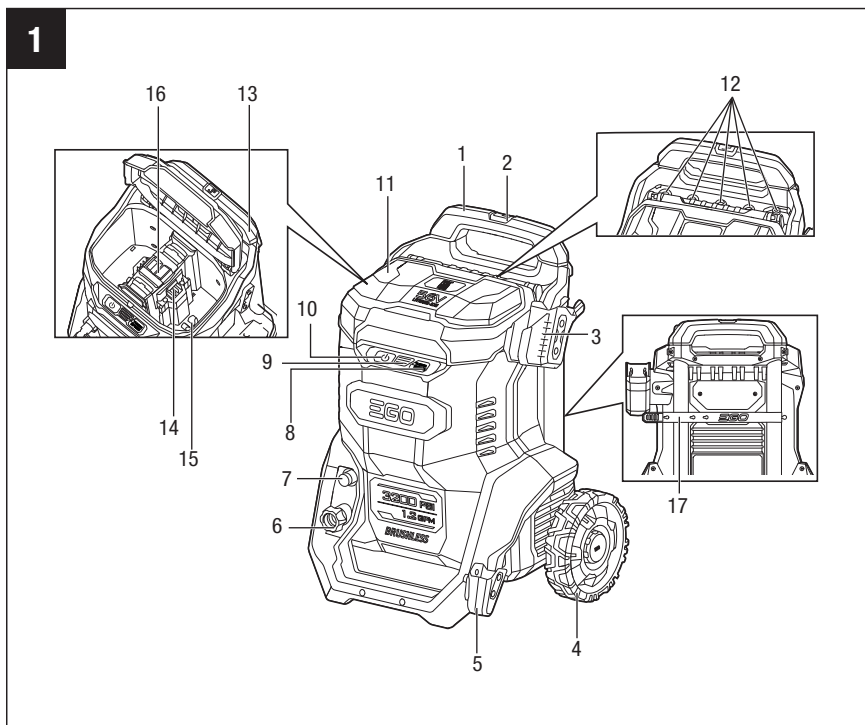
⚠ AVERTISSEMENT: Utilisez seulement des accessoires identiques énumérées ci-dessous. L'utilisation d'accessoires qui ne répondent pas aux spécifications des équipements d'origine pourrait causer une performance inadéquate et compromettre la sécurité.

| NOM DE LA PIÈCE | NUMÉRO DE MODÈLE |
|--|------------------|
| Buse à 0° | ANZ3200 |
| Kit de buses (comprend une buse de chacun des types suivants : buse turbo, buse de 15°, buse de 25°, buse de 40°, buse de rinçage) | ANK3200 |

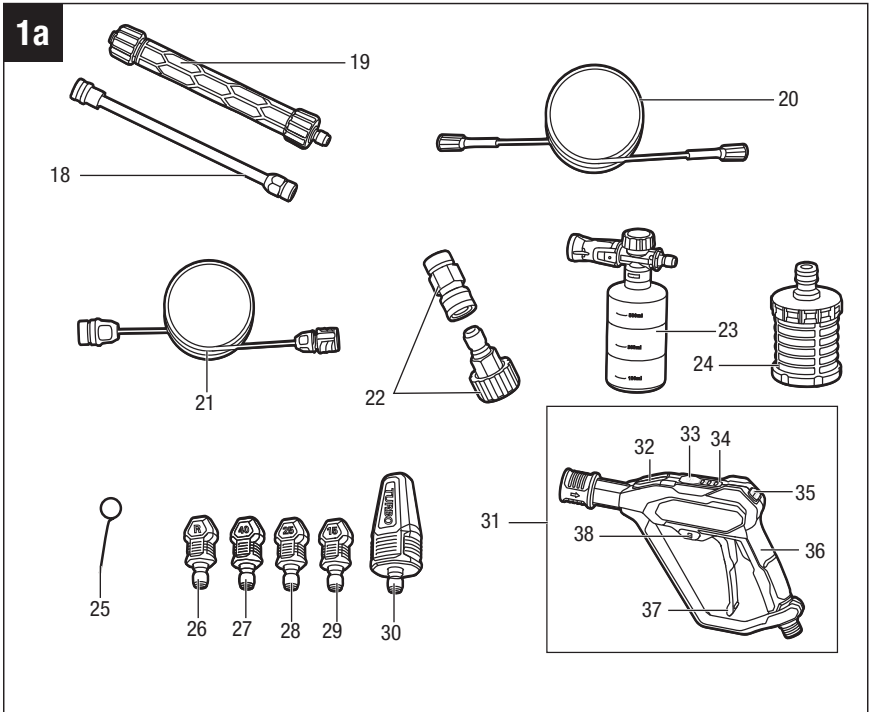
Pour plus d'informations sur les accessoires les plus récents, veuillez consulter le site : www.egopowerplus.com.

DESCRIPTION

FAMILIARISEZ-VOUS AVEC VOTRE LAVEUSE À HAUTE PRESSION (Fig. 1)



- | | |
|--|--|
| 1. Poignée télescopique | 11. Compartiment du bloc-piles |
| 2. Bouton de verrouillage de la poignée | 12. Stockage des buses |
| 3. Support supérieur | 13. Cache du compartiment du bloc-piles |
| 4. Roue (x2) | 14. Contacts électriques |
| 4. Support inférieur | 15. Mécanisme d'éjection |
| 6. Orifice d'admission d'eau | 16. Bouton d'éjection du bloc-piles |
| 7. Orifice de sortie d'eau | 17. Bride de fixation du support de tuyau flexible |
| 8. Bouton de réglage de la vitesse | |
| 9. Indicateur de vitesse | |
| 10. Bouton de mise sous tension/hors tension | |



- | | |
|-------------------------------------|---|
| 18. Rallonge en acier inoxydable | 30. Buse turbo |
| 19. Lance à connexion rapide | 31. Pistolet à pression courte |
| 20. Tuyau flexible à haute pression | 31. Cache du compartiment des piles. |
| 21. Tuyau de siphon | 33. Indicateur de charge des piles à 5 DEL |
| 22. Jeu de coupleurs rapides (x2) | 34. Indicateur de vitesse |
| 23. Canon à mousse | 35. Bouton de réglage de la vitesse |
| 24. Filtre | 36. Poignée de pistolet |
| 25. Aiguille de nettoyage des buses | 37. Gâchette |
| 26. Buse de rinçage | 38. Bouton de verrouillage en position désactivée |
| 27. Buse à 40° | |
| 28. Buse à 25° | |
| 29. Buse à 15° | |

⚠ AVERTISSEMENT: Pour que ce produit puisse être utilisé en toute sécurité, il est nécessaire de comprendre les informations figurant sur le produit et dans son mode d'emploi, et de bien maîtriser le projet que vous voulez réaliser. Avant d'utiliser ce produit, familiarisez-vous avec toutes ses fonctionnalités et les consignes de sécurité qui s'y appliquent.

Poignée télescopique

Tirez le manche télescopique en appuyant sur le bouton de verrouillage du manche télescopique pour faire rouler facilement la laveuse à haute pression jusqu'à l'endroit désiré.

Bouton de verrouillage du manche

Appuyez sur le bouton de verrouillage pour sortir ou abaisser le manche télescopique, et relâchez le bouton de verrouillage pour verrouiller le manche télescopique dans l'une des trois positions possibles.

Roues

Les roues sont utilisées pour faire rouler rapidement la laveuse à haute pression.

Orifice d'admission d'eau

Lorsque le tuyau du siphon est raccordé, cet orifice est utilisé pour l'arrivée d'eau.

Orifice de sortie d'eau

Lorsque le tuyau de pression est raccordé, cet orifice est utilisé pour l'écoulement de l'eau.

Tuyau du siphon

Fournit un chemin pour l'entrée de l'eau.

Tuyau flexible à haute pression

Fournit un chemin pour l'écoulement de l'eau.

Bride de fixation du support de tuyau flexible

Sécurise le tuyau flexible de pression lorsqu'il est rangé derrière le manche télescopique.

Pistolet à pression courte

Tenez le pistolet pour en éjecter l'eau. Fournit un débit élevé et une faible pression pour les applications de rinçage.

Support supérieur/inférieur

Permet de supporter le pistolet à pression courte, la lance à connexion rapide et la rallonge en acier inoxydable quand ils ne sont pas utilisés.

Lance à connexion rapide

Nécessaire pour connecter la rallonge en acier inoxydable au pistolet à pression courte. Sert également de poignée auxiliaire.

Rallonge en acier inoxydable

Nécessaire pour raccorder la plupart des buses.

Buses

Utilisées pour pulvériser de l'eau à différents débits et angles, et dans des formes variées, pour différentes applications.

Canon à mousse

Ajoutez du détergent dans le canon à mousse pour effectuer un nettoyage en profondeur. Veuillez suivre les recommandations de concentration pour le détergent moussant spécifique.

Aiguille de nettoyage des buses

Utilisée pour éliminer toute obstruction de la buse.

Jeu de coupleurs rapides (x2)

Installés en usine sur l'orifice de sortie de l'eau, le tuyau flexible de pression et le pistolet à pression courte pour une connexion/déconnexion rapide.

Filtre

Filtre l'eau avant qu'elle ne s'écoule dans le tuyau flexible de siphonnage.

Cache du compartiment des piles

Protège la pile en forme de bouton à l'intérieur et peut être ouvert pour effectuer le remplacement de la pile.

Gâchette

Sert à activer et à désactiver la pulvérisation d'eau.

Bouton de verrouillage en position désactivée

Aide à prévenir une activation accidentelle de la gâchette. Appuyez sur le côté déverrouillé du bouton avant d'activer la gâchette.

Compartiment du bloc-piles

Peut contenir deux blocs-piles.

Bouton d'éjection du bloc-piles

Appuyez sur ce bouton pour détacher le bloc-piles de la laveuse à haute pression.

PEAK POWER™

Cette technologie combine la puissance de deux piles EGO ARC Lithium™ de 56 V au maximum pour assurer une autonomie de fonctionnement plus longue et une consommation d'énergie efficace.

PANNEAU DE L'OPÉRATEUR

Bouton de mise sous tension/hors tension

Allume et éteint la laveuse à haute pression.

Bouton de réglage de la vitesse

Il permet à l'opérateur de sélectionner la vitesse désirée.

Indicateur de vitesse

Affiche un voyant vert, deux voyants verts, trois voyants verts pour indiquer que la laveuse à haute pression fonctionne à basse vitesse, à haute vitesse ou à la vitesse TURBO, respectivement

Indicateur de charge des piles à 5 DEL

Indique le niveau de charge des piles. Lorsque deux blocs-piles sont installés, il indique le niveau de charge du bloc-piles le plus chargé.

ASSEMBLAGE

⚠ AVERTISSEMENT : Si certaines pièces sont endommagées ou manquantes, n'utilisez pas ce produit avant que ces pièces aient été remplacées. L'utilisation de ce produit avec des pièces endommagées ou manquantes pourrait causer des blessures graves.

⚠ AVERTISSEMENT : Ne tentez pas de modifier ce produit ou de créer des accessoires qu'il n'est pas recommandé d'utiliser avec ce produit. Une telle altération ou modification constituerait une utilisation abusive et pourrait créer une situation dangereuse avec risque de blessures graves.

⚠ AVERTISSEMENT : Pour empêcher tout démarrage accidentel qui pourrait causer une blessure grave, retirez toujours le(s) bloc-piles du produit lorsque vous effectuez le montage de pièces.

DÉBALLAGE

Ce produit nécessite un assemblage.

- Retirez le produit et tous les accessoires de la boîte en prenant les précautions nécessaires. Assurez-vous que tous les articles indiqués sur la « **LISTE DES PIÈCES** » sont inclus.
- Inspectez attentivement le produit pour vous assurer qu'aucun endommagement ou bris de pièce(s) ne s'est produit pendant le transport.
- Ne jetez pas les matériaux d'emballage avant d'avoir inspecté attentivement le produit et de l'avoir mis en marche de façon satisfaisante.
- Si une pièce quelconque est endommagée ou manquante, veuillez rapporter le produit dans le magasin où vous l'avez acheté.

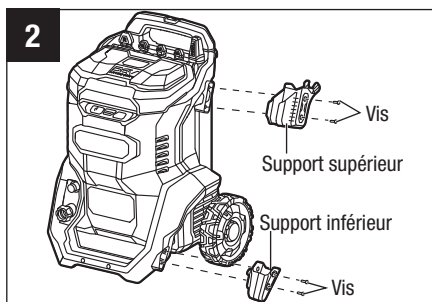
LISTE DES PIÈCES

| NOM DE LA PIÈCE | | QUANTITÉ |
|---|-------------------|----------|
| Laveuse à haute pression | | 1 |
| Tuyau flexible à haute pression | | 1 |
| Tuyau du siphon | | 1 |
| Pistolet à pression courte | | 1 |
| Lance à connexion rapide | | 1 |
| Rallonge en acier inoxydable | | 1 |
| Jeu de coupleurs rapides (installés en usine sur l'orifice de sortie de l'eau, le tuyau flexible à haute pression et le pistolet à pression courte) | | 2 |
| Canon à mousse | | 1 |
| Filtre | | 1 |
| Aiguille de nettoyage des buses | | 1 |
| Buses | Buse à 15° | 1 |
| | Buse à 25° | 1 |
| | Buse à 40° | 1 |
| | Buse Turbo | 1 |
| | Buse de rinçage | 1 |
| Ensemble de support | Support supérieur | 1 |
| | Support inférieur | 1 |
| | Vis | 4 |
| Mode d'emploi | | 1 |

INSTALLATION DE L'ENSEMBLE DE SUPPORT (Fig. 2)

Outil requis (non fourni) : Tournevis à tête cruciforme

1. L'ouverture large étant orientée vers le haut, alignez les trous du support supérieur sur les trous situés sur le côté supérieur de la laveuse à haute pression.
2. Enfilez deux vis dans les trous, puis serrez-les fermement.
3. Installez le support inférieur en suivant les étapes ci-dessus de la même manière.

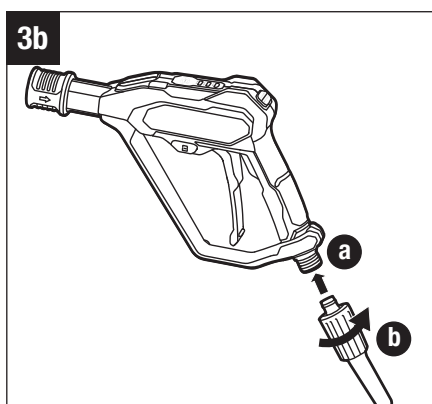
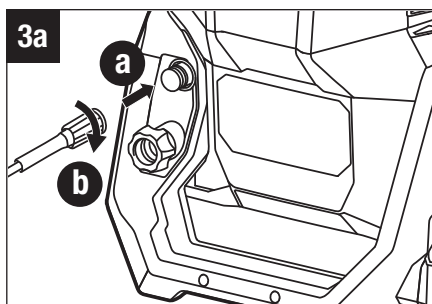


RACCORDEMENT DU TUYAU FLEXIBLE À HAUTE PRESSION (Fig. 3 - Fig. 5)

Vous pouvez raccorder le tuyau à haute pression de l'une des manières suivantes :

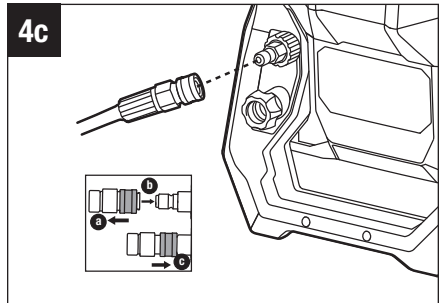
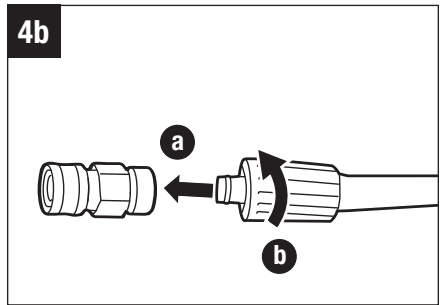
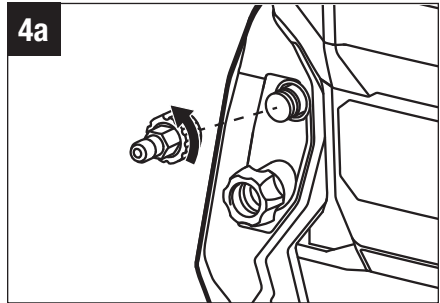
- Raccordez le tuyau à haute pression à l'orifice de sortie de l'eau et au pistolet directement par des raccords filetés (Fig. 3a et 3b) ;
- Raccordez le tuyau à haute pression à l'orifice de sortie d'eau et au pistolet à l'aide de deux jeux de coupleurs rapides pour faciliter l'installation et le retrait.

REMARQUE : Les jeux de coupleurs rapides ont été installés en usine sur l'orifice de sortie d'eau, sur le tuyau à haute pression et sur le pistolet. Vous pouvez ignorer les étapes 1 et 2 et ne les suivre que lors du remplacement des jeux de coupleurs rapides.

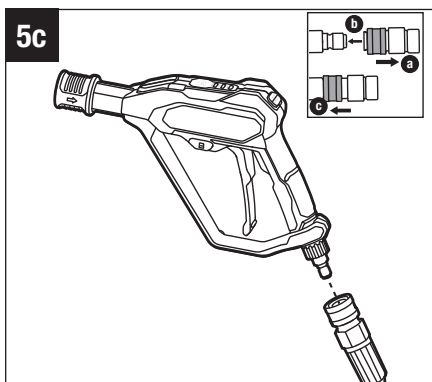
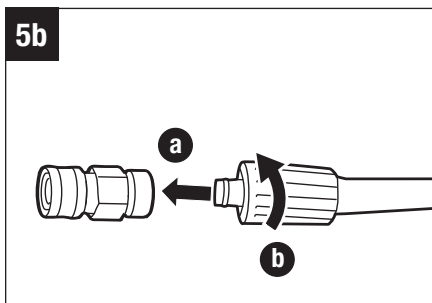
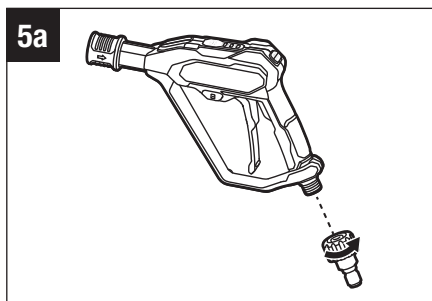


1. Vissez fermement la partie fileté interne du coupleur rapide sur l'orifice de sortie de l'eau (Fig. 4a).
2. Installez une extrémité du tuyau à haute pression sur la partie fileté externe du jeu de coupleurs rapides, puis fixez-les fermement (Fig. 4b).
3. Tirez vers l'arrière le collier de l'extrémité du coupleur rapide du tuyau à haute pression, puis fixez-le sur l'orifice de sortie de l'eau jusqu'à ce que vous entendiez un déclic (Fig. 4c).

Pour déconnecter, tirez le collier du chargeur rapide vers l'arrière pour retirer le tuyau flexible à haute pression de l'orifice de sortie de l'eau.



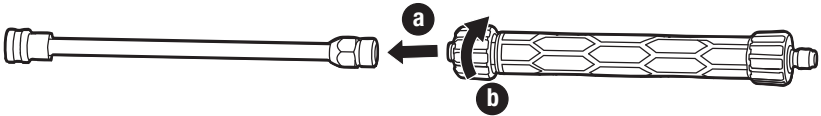
Suivez les étapes ci-dessus pour installer le jeu de coupleurs rapides à l'autre extrémité du tuyau flexible à haute pression et à l'extrémité filetée du pistolet, puis raccordez le tuyau flexible à haute pression et le pistolet (Fig. 5).



RACCORDEMENT DE LA LANCE À CONNEXION RAPIDE ET DE LA RALLONGE EN ACIER INOXYDABLE (Fig. 6)

1. Pour connecter la rallonge à la lance, installez l'extrémité filetée externe de la rallonge sur l'extrémité filetée interne de la lance, puis vissez-les fermement (Fig. 6a).

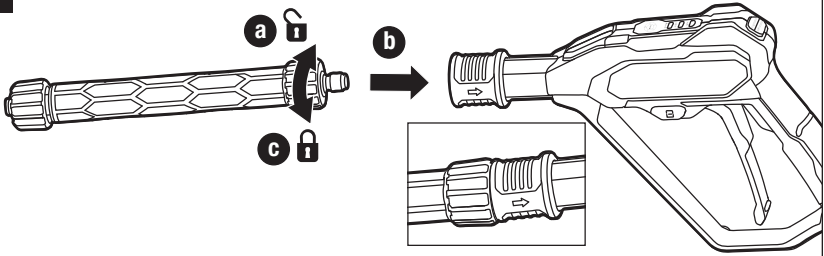
6a



2. Pour connecter la lance au pistolet (Fig. 6b) :

- a. Vissez le bouton sur la lance de manière à exposer complètement son joint de connexion.
- b. Insérez la lance dans le raccord rapide du pistolet jusqu'à ce que vous entendiez un déclic. L'anneau extérieur du raccord rapide se déplace automatiquement vers l'avant, ce qui indique que la connexion est établie correctement.
- c. Vissez le bouton sur la lance pour serrer la connexion.

6b



Pour déconnecter :

1. Dévissez la rallonge de la lance et retirez-la.
2. Vissez le bouton de la lance pour desserrer la connexion, puis tirez vers l'arrière l'anneau extérieur du raccord rapide du pistolet pour détacher la lance.

⚠ AVERTISSEMENT : Tenez toujours le pistolet d'une main et la lance de l'autre lors de la déconnexion de la lance du pistolet. La chute de la lance peut entraîner des blessures.

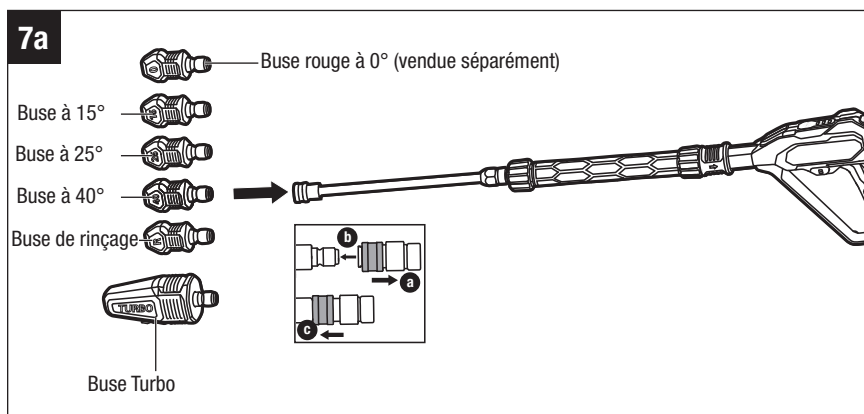
CONNEXION D'UNE BUSE (Fig. 7)

REMARQUE : Les buses ne peuvent pas être connectées à la lance.

- Choisissez la buse à 0° (vendue séparément), la buse à 15°, la buse à 25°, la buse à 40° ou la buse Turbo pour l'installer sur la lance (Fig. 7a).

Pour connecter, tirez le collier de l'extrémité du coupleur rapide de la rallonge vers l'arrière, puis insérez la buse jusqu'à ce que vous entendiez un déclic.

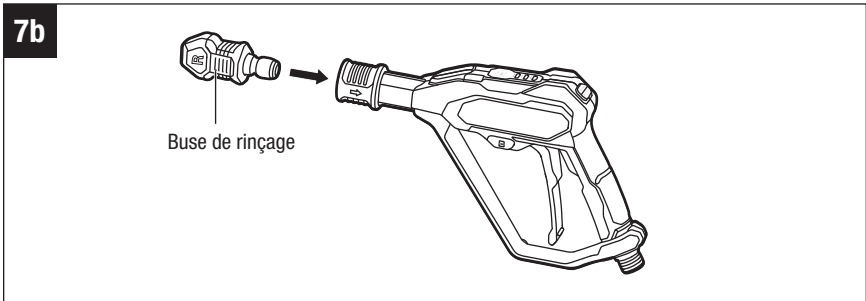
Pour déconnecter, tirez le collier du raccord rapide vers l'arrière, puis retirez la buse.



- La buse de rinçage est raccordée directement au pistolet (Fig. 7b).

Pour connecter, insérez la buse de rinçage dans l’anneau extérieur de l’extrémité du coupleur rapide du pistolet jusqu’à ce que vous entendiez un déclic. L’anneau extérieur du coupleur rapide se déplace automatiquement vers l’avant, ce qui indique que la connexion est établie. Tirez sur la buse pour vous assurer qu’elle est bien sécurisée.

Pour déconnecter, tirez vers l’arrière l’anneau extérieur du coupleur rapide, puis retirez la buse de rinçage.



⚠ AVERTISSEMENT : Tenez toujours le pistolet d’une main et la buse de l’autre lors de la déconnexion de la buse du pistolet. Des blessures peuvent survenir si la buse saute. Utilisez le tableau ci-dessous pour choisir la buse adaptée à votre travail.

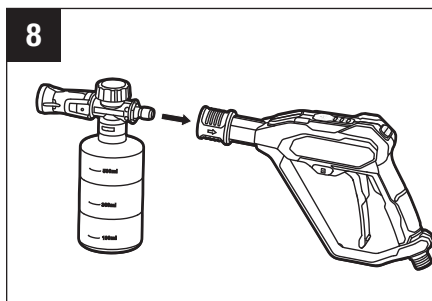
| SÉLECTION DES BUSES | APPLICATIONS |
|--|---|
| Buse rouge à 0° (vendue séparément) | Nettoyage puissant à faible distance pour les surfaces en métal ou en béton. N’UTILISEZ PAS CE PRODUIT SUR DU BOIS. |
| Buse jaune à 15° | Nettoyez les petites surfaces en métal, en béton ou en bois. |
| Buse verte à 25° | Nettoyez les grandes surfaces en métal, en béton ou en bois. |
| Buse blanche à 40° | Nettoyez les grandes surfaces en métal, en béton, en bois ou en vinyle. |
| Buse de rinçage grise | Rincez les véhicules. Rincez pour enlever le détergent qui se trouve sur le métal, le béton, le bois ou le vinyle. |
| Buse Turbo | Nettoyez uniquement les surfaces dures. Pour éviter d’endommager la surface, n’utilisez pas ce produit sur les voitures et les surfaces en bois. |

CONNEXION DU CANNON À MOUSSE (Fig. 8)

Le canon à mousse est relié directement au pistolet.

Tirez sur l'anneau extérieur de l'extrémité du coupleur rapide du pistolet, puis attachez le canon à mousse jusqu'à ce que vous entendiez un déclic. L'anneau extérieur du coupleur rapide se déplace automatiquement vers l'avant, ce qui indique que la connexion est établie. Tirez sur la buse du canon à mousse pour vous assurer qu'elle est bien sécurisée.

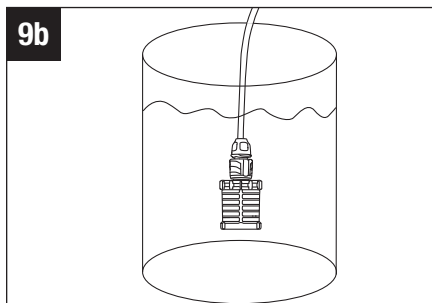
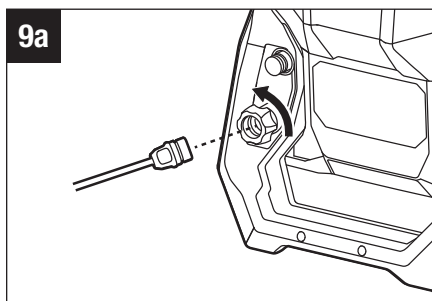
Pour déconnecter, tirez vers l'arrière l'anneau extérieur du coupleur rapide, puis tirez sur le canon à mousse pour le faire sortir.



CONNEXION DU TUYAU FLEXIBLE DU SIPHON (Fig. 9)

Si vous utilisez un seau d'eau (non fourni) comme source d'eau, raccordez le tuyau flexible du siphon à la laveuse à haute pression

1. Alignez l'extrémité fileté du tuyau flexible du siphon sur l'orifice d'admission d'eau, et serrez-les fermement en vissant le bouton de l'orifice d'admission d'eau (Fig. 9a).
2. Attachez le filtre au coupleur rapide du tuyau flexible du siphon et immergez complètement le filtre et le coupleur rapide dans l'eau (Fig. 9b).



REMARQUE : Il est recommandé de remplir complètement le seau d'eau AVANT d'insérer le filtre et le coupleur rapide. De cette manière, le filtre et le coupleur rapide seront correctement immergés. Ils peuvent flotter s'ils sont insérés dans le seau vide avant de le remplir d'eau.

CONNEXION AU TUYAU D'ARROSAGE (NON FOURNI)

Si vous utilisez un robinet d'eau (non fourni) comme source d'eau, connectez la laveuse à haute pression à un tuyau d'arrosage (non fourni).

IMPORTANT : Respectez toujours toutes les réglementations locales lorsque vous raccordez des tuyaux flexibles à la canalisation d'eau. Dans certaines régions, il est interdit de se raccorder directement au réseau public d'alimentation en eau potable afin d'éviter que des produits chimiques ne s'infiltrent dans le réseau d'alimentation en eau potable. Le raccordement direct par l'intermédiaire d'un réservoir ou d'un dispositif anti-refoulement/anti-siphonnement est généralement autorisé.

L'alimentation en eau doit provenir d'une conduite de distribution. N'utilisez JAMAIS d'eau chaude ou d'eau provenant de piscines, de lacs, etc.

Avant de connecter le tuyau d'arrosage à la laveuse à haute pression :

- Faites couler de l'eau dans le tuyau flexible pendant 30 secondes afin de nettoyer les débris qui s'y trouvent.
- Inspectez la maille métallique de l'orifice d'admission d'eau. Si la maille métallique est endommagée, n'utilisez pas la machine tant que la maille en métal n'a pas été remplacée. Si la maille en métal est sale, nettoyez-la.
- Déroulez complètement le tuyau d'arrosage ou retirez-le complètement de l'enrouleur pour éviter qu'il ne se torde et vrille.

REMARQUE : Il doit y avoir une longueur suffisante de tuyau sans restriction entre l'orifice d'admission d'eau et le robinet ou la vanne de sectionnement (tel qu'un connecteur d'arrêt en forme de « Y »).

Le robinet du tuyau flexible étant complètement fermé, attachez l'extrémité du tuyau d'arrosage à la rondelle.

UTILISATION

⚠ AVERTISSEMENT : Ne laissez pas l'habitude de l'utilisation de ce produit vous empêcher de prendre toutes les précautions requises. N'oubliez jamais qu'une fraction de seconde d'inattention suffit pour causer de graves blessures.

⚠ AVERTISSEMENT : N'utilisez pas d'attaches ou d'accessoires qui ne sont pas recommandés par le fabricant de ce produit. L'utilisation d'attaches ou d'accessoires qui ne sont pas recommandés peut causer des blessures graves.

⚠ AVERTISSEMENT : Pour éviter tout risque de blessure grave, retirez le bloc-piles du produit avant de le réparer ou de le nettoyer, de changer des attaches ou de retirer des déchets du produit.

APPLICATION

Vous pouvez utiliser ce produit pour faire ce qui suit :

- Nettoyage des saletés sur les automobiles, les murs, les sols, etc.

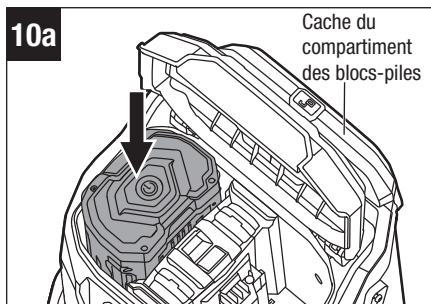
INSTALLATION / RETRAIT DU BLOC-PILES (Fig. 10)

Chargez le bloc-piles avant de vous en servir pour la première fois !

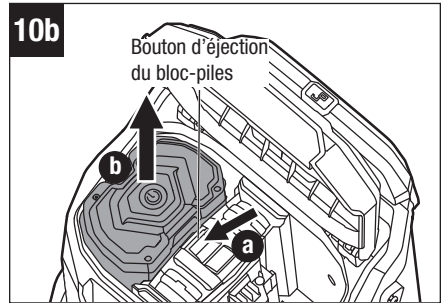
REMARQUE : La laveuse à haute pression peut fonctionner avec un ou deux blocs-piles. L'utilisation de deux blocs-piles vous permet de bénéficier d'une plus grande autonomie de fonctionnement et d'un prélèvement d'énergie efficace géré par la technologie PEAK POWER™.

REMARQUE : L'utilisation d'un seul bloc-piles ne vous permettra pas d'atteindre la vitesse TURBO. Pour obtenir de meilleures performances, nous recommandons l'utilisation de deux blocs-piles de 5,0 Ah ou plus.

1. Le cache du compartiment des blocs-piles est articulé. Levez le cache du compartiment des blocs-piles en soulevant le devant du cache.



2. Alignez les rainures dans le bloc-piles sur les nervures du compartiment des blocs-piles, puis insérez le bloc-piles dans le compartiment (Fig. 10a).
3. Enfoncez le bloc-piles jusqu'à ce que vous entendiez un déclic. Le bouton d'éjection des piles rebondira une fois que le bloc-piles aura été attaché de façon sécurisée.



AVIS : Assurez-vous que le loquet de verrouillage du ou des compartiments des blocs-piles se met bien en place et que le bloc-piles est bien assujéti à la machine avant de commencer à l'utiliser.

4. Attachez l'autre bloc-piles dans l'autre compartiment des blocs-piles de la même manière.
5. **Pour détacher le bloc-piles**, appuyez sur le bouton d'éjection des blocs-piles pour relâcher le bloc-piles, puis tirez dessus pour le faire sortir du compartiment (Fig. 10b).
6. Rabattez le cache du compartiment des blocs-piles.

⚠ AVERTISSEMENT : Retirez toujours le bloc-piles lorsque la laveuse à haute pression n'est pas utilisée.

MISE EN MARCHE/ARRÊT DE LA LAVEUSE À HAUTE PRESSION (Fig. 11)

Pour faire démarrer la laveuse à haute pression

AVIS : Ne faites pas démarrer la laveuse à haute pression si l'alimentation en eau n'est pas connectée et activée. Cela pourrait endommager les joints haute pression et réduire la durée de vie de la pompe.

1. Assurez-vous que le tuyau du siphon, le tuyau flexible à haute pression, le pistolet et la buse sont correctement connectés.
2. Connectez la lance, la rallonge, le canon à mousse et le filtre en fonction de vos besoins.

3. Choisissez l'un des modes d'approvisionnement en eau ci-dessous :
 - Si vous utilisez un tuyau d'arrosage (non fourni), raccordez la laveuse à haute pression au tuyau d'arrosage, puis ouvrez le robinet d'eau.
 - En cas d'utilisation d'un seau d'eau, raccordez le filtre au tuyau flexible de siphonage, puis immergez complètement le filtre et le coupleur rapide dans le seau d'eau.
4. Installez le(s) bloc-piles dans la laveuse à haute pression.
5. Appuyez sur le bouton de mise sous tension/hors tension pour mettre la laveuse à haute pression en marche. La laveuse fonctionne toujours à grande vitesse après chaque démarrage.

REMARQUE : Lorsque la laveuse à haute pression est sous tension mais qu'aucune autre action n'est effectuée, la laveuse s'éteint automatiquement après 5 minutes de veille. Pendant les premières minutes de veille, l'indicateur de vitesse de la laveuse à haute pression clignote trois fois en vert, ce qui indique qu'il n'y a pas d'eau qui s'écoule dans le tuyau flexible de siphonage.

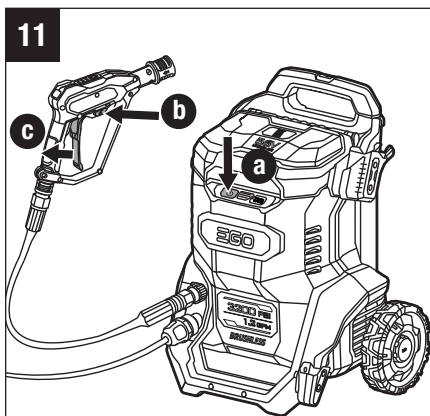
6. Tenez le pistolet des deux mains, appuyez sur le côté déverrouillé du bouton de verrouillage en position désactivée, puis appuyez sur la gâchette jusqu'à ce qu'un débit d'eau régulier soit produit.

REMARQUE : Si la lance est connectée, tenez le pistolet d'une main et la lance de l'autre.

7. Commencez le lavage par pulvérisation.

REMARQUE : Il peut s'écouler un certain temps avant que l'eau ne parte de la source et ne sorte de la buse sous la forme d'un jet régulier. Pour obtenir rapidement un débit d'eau régulier, vous pouvez procéder comme suit :

- a. Retirez la buse.



- b. Appuyez sur la gâchette et attendez qu'un jet d'eau régulier commence à sortir de la rallonge.
- c. Relâchez la gâchette et réinstallez la buse.

⚠ AVERTISSEMENT : Les pneus de voiture et/ou les valves de pneus ne peuvent être nettoyés qu'à une distance minimale de 30 cm / 11-3/4 po afin d'éviter tout dommage causé par le jet à haute pression. La première indication d'un dommage est la décoloration du pneu. Les pneus de voiture ou les valves endommagés présentent un risque de blessure.

Pour arrêter la laveuse à haute pression

1. Une fois le lavage terminé, relâchez la gâchette et appuyez sur le bouton de verrouillage en position désactivée pour verrouiller la position.
2. Appuyez sur le bouton de mise sous tension/hors tension pour arrêter la laveuse à haute pression.
3. Fermez le robinet d'eau ou retirez le tuyau flexible de siphonage du seau d'eau.
4. **Appuyez sur le bouton de verrouillage en position désactivée du pistolet pour le mettre en position déverrouillée, et appuyez sur la gâchette pour vider l'eau des tuyaux.**

AVIS : Le pistolet, les tuyaux flexibles, les baguettes, les buses ou le canon à mousse ne doivent pas être débranchés tant que de l'eau reste dans les tuyaux.

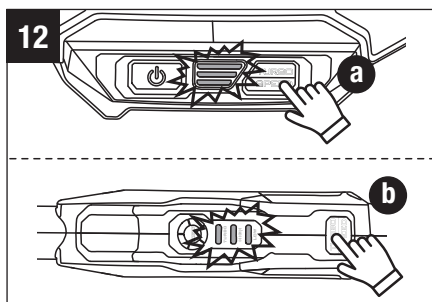
5. Débranchez et retirez le pistolet, les tuyaux flexibles, les rallonges, les buses ou le canon à mousse.
6. Appuyez sur le bouton d'alimentation pour mettre la laveuse à haute pression en marche et pour vider l'eau qu'elle contient.
7. Appuyez à nouveau sur le bouton d'alimentation pour éteindre la laveuse à haute pression.
8. Retirez le(s) bloc(s)-piles.

TÉLÉCOMMANDE

Le pistolet peut être associé à la laveuse à haute pression pour fonctionner comme une télécommande.

Appariement du pistolet à pression courte (Fig. 12)

1. Insérez le(s) bloc(s)-piles et mettez la laveuse à haute pression sous tension.
2. Appuyez longuement sur le bouton de réglage de la vitesse de la laveuse à haute pression jusqu'à ce que les trois voyants verts commencent à clignoter.



REMARQUE : Le clignotement dure environ 20 secondes, de telle sorte que le pistolet ne peut être apparié que pendant cette période. Vous pouvez également appuyer brièvement sur le bouton de réglage de la vitesse de la laveuse pour quitter le mode d'appariement à tout moment.

3. Appuyez longuement sur le bouton de réglage de la vitesse du pistolet jusqu'à ce que ses trois lumières vertes commencent à clignoter, ce qui signifie que le processus d'appariement a commencé.

REMARQUE : Le clignotement indiquant le processus d'appariement durera environ 10 s. Vous pouvez appuyer brièvement sur le bouton de réglage de la vitesse du pistolet pour quitter le processus d'appariement à tout moment.

4. Les indicateurs de vitesse de la laveuse et du pistolet affichent trois lumières vertes ensemble pendant 3 s pour indiquer que l'appariement a réussi, puis ils affichent deux lumières vertes.
5. Si l'appariement a échoué, les indicateurs de vitesse de la laveuse et du pistolet clignotent trois fois en vert, puis ils s'éteignent.

Utilisation de la télécommande

Une fois l'appariement terminé, appuyez une fois sur le bouton de réglage de la vitesse du pistolet ; la jauge de carburant à 5 DEL et l'indicateur de vitesse s'allumeront alors. Appuyez à nouveau sur le bouton de réglage de la vitesse pour modifier la vitesse.

REMARQUE :

- La jauge de carburant à 5 DEL et l'indicateur de vitesse s'éteignent lorsqu'il n'y a plus d'action sur le bouton de réglage de la vitesse du pistolet au bout de 10 secondes.
- La jauge de carburant à 5 DEL indique le niveau de charge des piles. Lorsque deux blocs-piles sont installés, il indique le niveau du bloc-piles le plus chargé.
- L'indicateur de vitesse du pistolet est toujours synchronisé avec l'indicateur de vitesse de la laveuse à haute pression.

SÉLECTION DE LA VITESSE

- La vitesse de la laveuse à haute pression peut être réglée à l'aide du bouton de réglage de la vitesse situé sur la laveuse ou sur le pistolet apparié.
- La vitesse de la laveuse à haute pression peut être réglée lorsque la laveuse est sous tension ou pendant la pulvérisation.
- Chaque fois que vous appuyez sur le bouton de réglage de la vitesse, la vitesse bascule entre basse, élevée et TURBO. L'indicateur de vitesse affiche un voyant vert, deux voyants verts ou trois voyants verts pour indiquer que la laveuse à haute pression fonctionne à basse vitesse, à haute vitesse ou à vitesse TURBO, respectivement.

REMARQUE : LORSQU'UN SEUL BLOC-PILES EST INSÉRÉ, LA VITESSE TURBO NE PEUT PAS ÊTRE ATTEINTE, ET CHAQUE FOIS QUE L'ON APPUIE SUR LE BOUTON DE RÉGLAGE DE LA VITESSE, LA VITESSE ALTERNE ENTRE LE NIVEAU HAUT ET LE NIVEAU BAS.

REMARQUE : Si la laveuse à haute pression continue à fonctionner à la vitesse TURBO, l'autonomie de fonctionnement par charge peut être affectée.

NETTOYAGE AU DÉTERGENT (Fig. 13)

⚠ AVERTISSEMENT : N'utilisez que des détergents spécifiquement conçus pour les laveuses à haute pression. Respectez les instructions d'application et de mise au rebut, ainsi que les consignes de sécurité du fabricant du détergent utilisé.

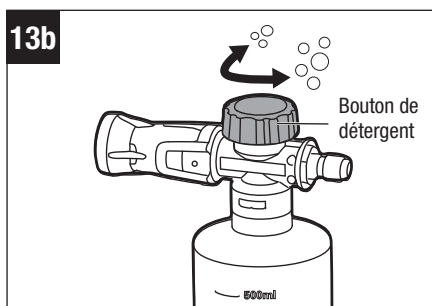
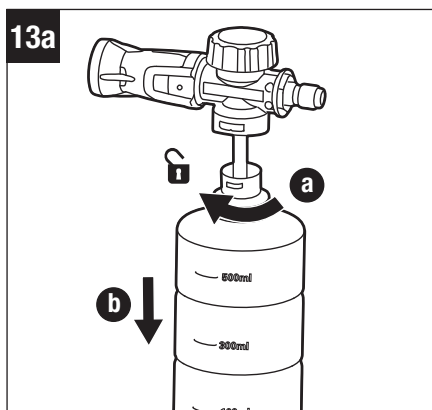
1. Tournez le flacon du canon à mousse dans le sens inverse des aiguilles d'une montre, et retirez-le (Fig. 13a).
2. Versez le détergent dans le flacon.

AVIS : La température du détergent ne doit pas dépasser 60 °C / 140 °F.

3. Remettez le canon à mousse en place et connectez-le au coupleur rapide du pistolet.
4. Tournez le bouton de détergent pour ajuster la quantité de détergent ajoutée au débit d'eau en fonction de vos besoins (Fig. 13b).

5. Ouvrez le robinet d'eau ou immergez complètement le filtre du tuyau flexible de siphonnage et le coupleur rapide dans le seau d'eau, démarrez la laveuse à haute pression et pulvérisez le détergent sur une surface sèche en effectuant de longs mouvements réguliers qui se chevauchent. Pour éviter de laisser des traces, ne laissez pas le détergent sécher sur la surface.

REMARQUE : Il est recommandé de sélectionner la vitesse lente pour un nettoyage en douceur.



MAINTENANCE

⚠ AVERTISSEMENT : Pour éviter tout risque de blessure grave, retirez le bloc-piles du produit avant de le réparer ou de le nettoyer, de changer des attachements ou de retirer des déchets du produit.

⚠ AVERTISSEMENT : Lors de toute réparation, n'utilisez que des pièces de rechange identiques. L'utilisation de pièces qui ne répondent pas aux spécifications des équipements d'origine pourrait compromettre la sécurité ou endommager le produit. Pour assurer la sécurité et la fiabilité, toutes les réparations doivent être effectuées par un technicien de service qualifié.

AVIS : Inspectez périodiquement l'intégralité du produit pour vous assurer qu'il n'y a pas de pièces endommagées, manquantes ou desserrées comme des vis, des écrous, des boulons, des capuchons, etc. Serrez à fond tous les dispositifs de fixation et capuchons, et ne vous servez pas de ce produit avant que toutes les pièces manquantes ou endommagées aient été remplacées.

MAINTENANCE GÉNÉRALE

Évitez d'utiliser des solvants lorsque vous nettoyez des pièces en plastique. La plupart des plastiques sont susceptibles d'être endommagés par divers types de solvants commerciaux, et ils pourraient l'être si vous les utilisez. Utilisez des chiffons propres pour retirer les saletés, la poussière, l'huile, la graisse, etc.

⚠ AVERTISSEMENT : Ne laissez jamais de liquide de frein, d'essence, de produits à base de pétrole, d'huiles pénétrantes, etc. entrer en contact avec des composants en plastique. Les produits chimiques peuvent endommager, affaiblir ou détruire le plastique, ce qui pourrait causer des blessures graves.

REPLACEMENT DE LA PILE EN FORME DE PIÈCE MONNAIE (Fig. 14)

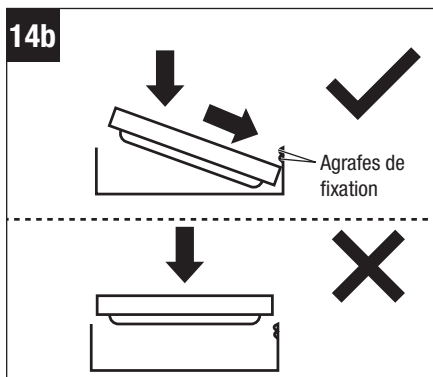
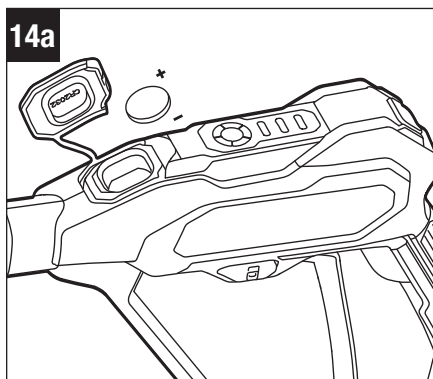
Lorsque la télécommande et les indicateurs à DEL du pistolet cessent de fonctionner, cela signifie que la capacité de charge de la pile est faible.

1. Ouvrez le cache de la pile et retirez la pile usagée (Fig. 14a).
2. En respectant la polarité correcte (+ et -), inclinez la nouvelle pile et insérez-la d'abord sous les deux agrafes du compartiment de la pile, puis poussez la pile dans le compartiment (Fig. 14b).

AVIS : Puis insérez la pile directement dans le compartiment. Dans le cas contraire, les deux agrafes seront endommagées, ce qui entraînera une défaillance de la télécommande du pistolet.

3. Fermez le cache.

REMARQUE : Vous devrez à nouveau appairer le pistolet avec la laveuse à haute pression après avoir remplacé la pile en forme de pièce de monnaie en suivant les instructions de la section intitulée « **Appariement du pistolet à pression courte** ».



| Pile requise | Modèle |
|-----------------------------------|--------|
| Pile en forme de pièce de monnaie | CR2032 |

⚠ AVERTISSEMENT : Risque de brûlure chimique. Ces piles ne doivent pas être avalées. Gardez les piles neuves et usagées hors de la portée des enfants. Si vous pensez que des piles ont pu avoir été avalées ou placées dans une partie quelconque du corps, consultez immédiatement un professionnel de santé.

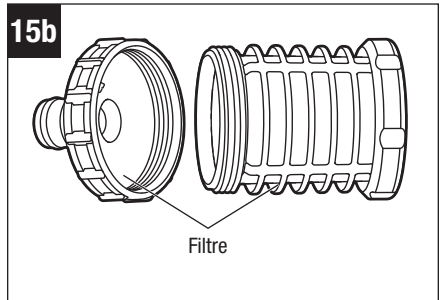
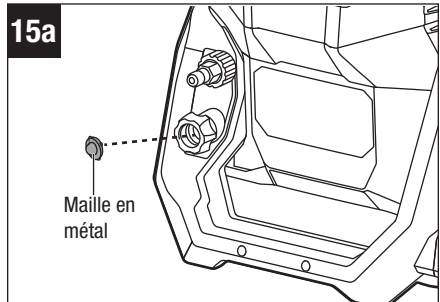
Ce produit contient une pile au lithium en forme de pièce de monnaie. Si une pile

au lithium en forme de pièce de monnaie neuve ou usagée est avalée ou entre dans le corps, elle risque de causer de graves brûlures internes et de causer la mort en deux heures seulement.

⚠ AVERTISSEMENT : Sécurisez toujours complètement le compartiment des piles. Si le compartiment des piles n'est pas bien sécurisé, cessez d'utiliser le produit, retirez-en les piles et gardez-les hors de la portée des enfants.

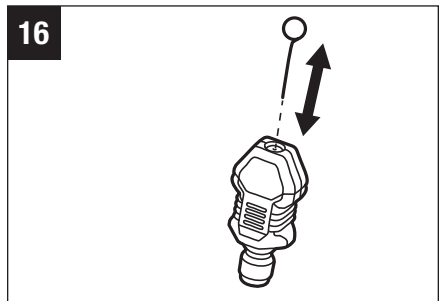
NETTOYAGE DES FILTRES (Fig. 15)

- Retirez la maille en métal de l'orifice d'admission d'eau, rincez la maille en métal, et remplacez-la si nécessaire (Fig. 15a).
- Si vous utilisez un seau d'eau comme source d'alimentation en eau pour la laveuse à haute pression, vérifiez et nettoyez régulièrement le filtre. Retirez le filtre du coupleur rapide du tuyau de siphonnage, dévissez le filtre, puis rincez-le soigneusement (Fig. 15b).



NETTOYAGE DES BUSES (Fig. 16)

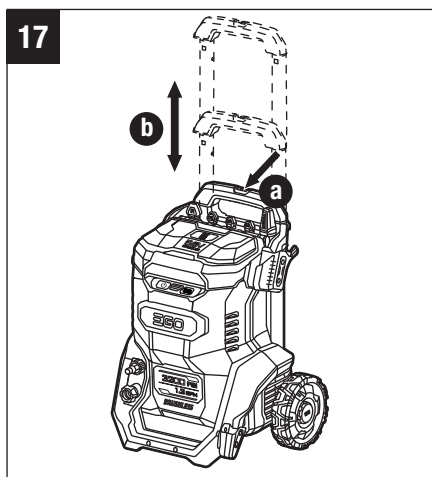
Lorsque les trous des buses sont obstrués, vous pouvez utiliser l'aiguille de nettoyage des buses fournie pour passer à travers les trous et éliminer toute obstruction.



TRANSPORT DE LA LAVEUSE À HAUTE PRESSION (Fig. 17)

⚠ AVERTISSEMENT : Retirez toujours le bloc-piles de la laveuse à haute pression avant de la transporter. Le retrait du bloc-piles empêchera une mise en marche accidentelle qui risquerait de causer des blessures graves.

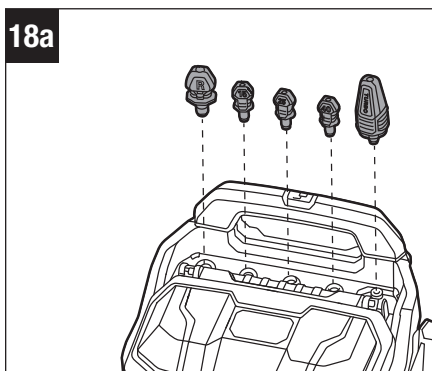
Appuyez sur le bouton de verrouillage du manche, puis tirez le manche télescopique jusqu'au premier niveau de longueur – jusqu'à ce que vous entendiez un déclic. Si vous le souhaitez, vous pouvez appuyer sur le bouton de verrouillage du manche, puis tirer sur le manche télescopique jusqu'au deuxième niveau de longueur.



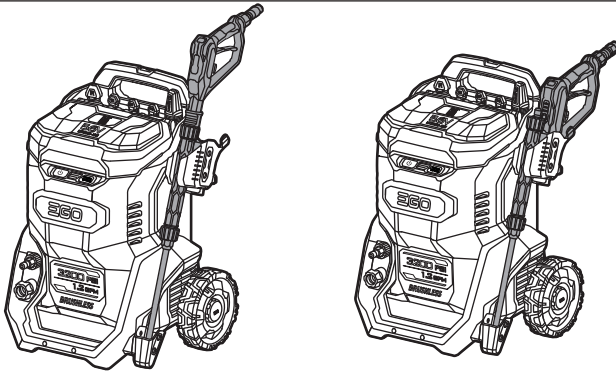
Lorsque le manche télescopique n'est pas utilisé, appuyez sur le bouton de verrouillage du manche, puis poussez le manche télescopique à fond vers le bas.

RANGEMENT DE LA LAVEUSE À HAUTE PRESSION (Fig. 18)

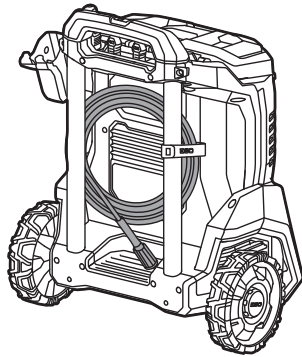
1. Arrêtez la laveuse à haute pression, relâchez la pression, videz l'eau et retirez le bloc-piles de la laveuse à haute pression en suivant les instructions de la section intitulée « Arrêt de la laveuse à haute pression ».
2. Rangez les buses dans la zone de stockage des buses de la laveuse à haute pression (Fig. 18a).



3. Rangez le pistolet et l'ensemble de lance-rallonge dans les supports de fixation, ou déconnectez le pistolet et rangez-le dans les supports de fixation supérieurs (Fig. 18b).

18b

4. Enroulez le tuyau flexible à haute pression, rangez-le derrière le manche télescopique et fixez-le à l'aide de la sangle de maintien du tuyau flexible (Fig. 18c).
5. Nettoyez soigneusement la laveuse à haute pression avant de la ranger.
6. Rangez la laveuse à haute pression dans un endroit sec et bien aéré, verrouillé ou en hauteur, hors de portée des enfants. Ne rangez pas la laveuse à haute pression sur des engrais, de l'essence ou d'autres produits chimiques, ou à proximité de ceux-ci.

18c

HIVÉRISATION DE LA LAVEUSE À HAUTE PRESSION

L'hivérisation d'une laveuse à haute pression est essentielle pour la protéger contre les températures glaciales, qui peuvent endommager la pompe, les tuyaux et d'autres composants.

- 1. Arrêt de la laveuse à haute pression.** Assurez-vous que la laveuse à haute pression est éteinte et que les blocs-piles ont été retirés.
- 2. Relâchement de la pression.** Appuyez sur la gâchette du pistolet pour relâcher toute pression résiduelle dans le système. Cela pourrait empêcher la montée en pression pendant le processus d'hivernage.
- 3. Débranchement des tuyaux flexibles et des accessoires.** Retirez tous les tuyaux flexibles, le pistolet et les autres accessoires de la laveuse à haute pression. Vidangez l'eau des tuyaux en les tenant en position verticale et en laissant l'eau s'écouler.
- 4. Connectez un protecteur de pompe de laveuse à haute pression (vendu séparément) à l'orifice d'admission de l'eau pour le traitement.**
- 5. Utilisez un protecteur de pompe de laveuse à haute pression, et distribuez le liquide.** Une fois que le liquide sort de l'orifice de sortie de l'eau, votre laveuse à haute pression est protégée et hivérisée.

RECHERCHE DE LA CAUSE DES PROBLÈMES

| PROBLÈME | CAUSE | SOLUTION |
|---|--|--|
| La laveuse à haute pression ne se met pas sous tension. | <ul style="list-style-type: none"> Le niveau de charge du bloc-piles est faible. | <ul style="list-style-type: none"> Chargez le bloc-piles. |
| | <ul style="list-style-type: none"> Le bloc-piles n'a pas été installé correctement. | <ul style="list-style-type: none"> Faites glisser le bloc-piles dans le compartiment d'insertion des piles jusqu'à ce qu'il s'enclenche à sa place. |
| La vitesse TURBO n'a pas pu être activée. | <ul style="list-style-type: none"> Un seul bloc-piles est utilisé pour le fonctionnement de la laveuse. | <ul style="list-style-type: none"> Utilisez deux blocs-piles de 5,0 Ah ou plus. |
| La pompe de la laveuse à haute pression cesse de fonctionner, et l'indicateur de vitesse de la laveuse clignote trois fois en vert. | <ul style="list-style-type: none"> La laveuse à haute pression ou le(s) bloc(s)-piles sont en état de surchauffe. | <ul style="list-style-type: none"> Attendez que la laveuse à haute pression ou le(s) bloc(s)-piles revienne(nt) à la température de fonctionnement, puis redémarrez la laveuse. |
| | <ul style="list-style-type: none"> La buse est bloquée. | <ul style="list-style-type: none"> Utilisez l'aiguille de nettoyage de la buse pour passer à travers les trous. |
| | <ul style="list-style-type: none"> Aucune eau ne s'écoule dans le tuyau flexible de siphonnage. | <ul style="list-style-type: none"> Vérifiez et contrôlez que l'eau s'écoule correctement dans le tuyau flexible du siphon. |
| | <ul style="list-style-type: none"> Le niveau de charge du bloc-piles est faible. | <ul style="list-style-type: none"> Chargez le bloc-piles. |
| | <ul style="list-style-type: none"> Autre(s) défaut(s) électronique(s). | <ul style="list-style-type: none"> Contactez le de service à la clientèle d'EGO. |

| PROBLÈME | CAUSE | SOLUTION |
|---|---|---|
| Le débit d'eau est faible pendant la pulvérisation. | <ul style="list-style-type: none"> Le filtre est partiellement obstrué. | <ul style="list-style-type: none"> Nettoyez le filtre. |
| | <ul style="list-style-type: none"> La maille en métal de l'orifice d'admission d'eau est partiellement obstruée. | <ul style="list-style-type: none"> Retirez et nettoyez la maille en métal. |
| | <ul style="list-style-type: none"> Le filtre et le joint du coupleur rapide du tuyau de siphonnage ne sont pas complètement immergés dans l'eau. | <ul style="list-style-type: none"> Immergez complètement le filtre et le joint du coupleur rapide dans l'eau. |
| | <ul style="list-style-type: none"> Le tuyau flexible du siphon est plié. | <ul style="list-style-type: none"> Dépliez le tuyau flexible du siphon ou remplacez-le. |
| | <ul style="list-style-type: none"> L'eau est sale. | <ul style="list-style-type: none"> N'utilisez que de l'eau propre. |
| | <ul style="list-style-type: none"> Le tuyau flexible à haute pression est obstrué. | <ul style="list-style-type: none"> Retirez la buse, puis commencez à pulvériser de l'eau à partir du tuyau pour éliminer l'obstruction du tuyau. |
| Il n'y a pas de projection d'eau. | <ul style="list-style-type: none"> Il n'y a pas d'alimentation en eau. | <ul style="list-style-type: none"> Vérifiez et assurez-vous que la laveuse est correctement raccordée à l'alimentation en eau. |
| | <ul style="list-style-type: none"> Le filtre est complètement bloqué. | <ul style="list-style-type: none"> Nettoyez le filtre. |
| | <ul style="list-style-type: none"> La maille en métal de l'orifice d'admission de l'eau est complètement bloquée. | <ul style="list-style-type: none"> Retirez et nettoyez la maille en métal. |
| | <ul style="list-style-type: none"> La buse est bloquée. | <ul style="list-style-type: none"> Utilisez l'aiguille de nettoyage de la buse pour passer à travers les trous. |
| | <ul style="list-style-type: none"> La pompe, les tuyaux flexibles ou d'autres composants sont gelés. | <ul style="list-style-type: none"> Attendez que tout soit décongelé. |

| PROBLÈME | CAUSE | SOLUTION |
|---|--|--|
| Le débit d'eau n'est pas stable. | <ul style="list-style-type: none"> ■ De l'air pénètre dans la laveuse. | <ul style="list-style-type: none"> ■ Vérifiez et assurez-vous que le tuyau flexible du siphon est correctement raccordé. |
| | <ul style="list-style-type: none"> ■ Les joints de la pompe sont usés. | <ul style="list-style-type: none"> ■ Contactez le service à la clientèle d'EGO. |
| La pulvérisation d'eau démarre ou s'arrête automatiquement. | <ul style="list-style-type: none"> ■ Le tuyau flexible à haute pression est endommagé. | <ul style="list-style-type: none"> ■ Remplacez par un nouveau tuyau flexible à haute pression. |
| | <ul style="list-style-type: none"> ■ Il y a une fuite d'eau au niveau du pistolet. | <ul style="list-style-type: none"> ■ Contactez le service à la clientèle d'EGO. |
| | <ul style="list-style-type: none"> ■ Les joints de la pompe et du tuyau flexibles sont usés. | |
| Le pistolet ne peut pas contrôler la laveuse. | <ul style="list-style-type: none"> ■ La position du pistolet est hors de portée de la connexion sans fil. | <ul style="list-style-type: none"> ■ Rapprochez le pistolet de la laveuse à haute pression. |
| | <ul style="list-style-type: none"> ■ La charge de la pile en forme de pièce de monnaie est faible. | <ul style="list-style-type: none"> ■ Remplacez la pile en forme de pièce de monnaie. |
| | <ul style="list-style-type: none"> ■ Le pistolet n'est pas correctement apparié. | <ul style="list-style-type: none"> ■ Complétez l'appariement en suivant les instructions de la section intitulée « Appariement des pistolets à pression courte ». |
| | <ul style="list-style-type: none"> ■ La pile en forme de pièce de monnaie n'est pas installée correctement. | <ul style="list-style-type: none"> ■ Installez la pile en forme de pièce de monnaie en suivant les instructions de la section intitulée « REMPACEMENT DE LA PILE EN FORME DE PIÈCE DE MONNAIE ». |

GARANTIE LIMITÉE D'EGO

CONDITIONS ET DURÉE DE LA POLITIQUE DE GARANTIE

Chervon North America, Inc. (« Chervon North America ») accorde la Garantie limitée suivante pour les produits EGO à l'acheteur initial de produits EGO.

La période de garantie détaillée de chaque produit EGO est indiquée en ligne à l'adresse <http://egopowerplus.com/warranty-policy>.

Veillez contacter le Service à la clientèle d'EGO en téléphonant au 1-855-EGO-5656 (appel gratuit) à tout moment en cas de questions, si vous voulez vous prévaloir de la garantie ou si vous souhaitez obtenir une version sur papier de la garantie.

GARANTIE LIMITÉE DE SERVICE APRÈS-VENTE

Les produits EGO sont garantis contre tout défaut de matériel ou de fabrication à partir de la date d'achat au détail originale et pendant la période de garantie applicable.

Pour toute demande de garantie soumise correctement et dans les délais, si Chervon North America détermine qu'un produit est défectueux pendant la période de garantie, le produit sera réparé ou remplacé gratuitement, selon ce qui aura été déterminé par Chervon North America.

COMMENT OBTENIR DE L'ASSISTANCE DANS LE CADRE DU SERVICE APRÈS-VENTE

Pour obtenir de l'assistance dans le cadre de la garantie (pendant la période de garantie applicable), veuillez contacter le service à la clientèle d'EGO en téléphonant au **1-855-EGO-5656** (appel gratuit). Lorsque vous demandez de l'assistance dans le cadre de la garantie, vous devez présenter le reçu de vente original daté. Un centre de service après-vente agréé sera sélectionné pour évaluer et réparer le produit défectueux conformément aux conditions de garantie énoncées. Lorsque vous apportez votre produit au centre de service après-vente agréé, il se peut qu'une petite caution vous soit demandée lors du dépôt de votre outil. Cette caution est remboursable lorsque le service de réparation est considéré comme étant couvert par la garantie.

LIMITATIONS ET EXCLUSIONS SUPPLÉMENTAIRES

Cette garantie limitée ne s'applique qu'à l'acheteur initial d'un produit à un revendeur agréé EGO, et elle ne peut pas être cédée. Les produits EGO ne sont pas considérés comme défectueux et la présente garantie ne s'applique pas lorsque le défaut invoqué

est imputable à une cause autre que les défauts définis ci-dessus. Cette garantie est nulle et non avenue si le produit a été utilisé à des fins de location. La présente garantie ne s'applique pas aux dommages causés par un accident, un abus, une mauvaise utilisation, une altération, une modification, une réparation non autorisée, un contact avec un liquide, un incendie, un tremblement de terre ou toute autre cause externe ; par une utilisation du produit en dehors des instructions, spécifications ou directives d'EGO ; ou par un manquement à l'entretien ou à la maintenance convenable du produit. Cette garantie ne s'applique pas non plus aux dommages esthétiques, y compris, mais sans s'y limiter, les rayures ou les bosses, ainsi qu'aux défauts causés par l'usure normale ou autrement dus au vieillissement normal du produit.

CETTE GARANTIE EXPRESSE EST DONNÉE EN LIEU ET PLACE DE TOUTE AUTRE GARANTIE, EXPRESSE OU IMPLICITE, Y COMPRIS, MAIS SANS S'Y LIMITER, TOUTE GARANTIE DE QUALITÉ MARCHANDE OU D'ADÉQUATION À UN USAGE PARTICULIER, QUI EST REJETÉE. Toute garantie implicite, y compris la garantie de qualité marchande ou d'adéquation à un usage particulier qui ne peut être rejetée en vertu de la loi de l'État ou de la province est limitée à la période de garantie applicable définie au début de cet article. Le seul et unique recours en rapport avec l'achat, l'installation, l'utilisation et/ou la performance des produits EGO est la réparation ou le remplacement du produit selon la décision de Chervon North America. La responsabilité maximale de Chervon North America ne dépassera en aucun cas le prix d'achat payé pour le produit. CHERVON NORTH AMERICA NE SERA PAS RESPONSABLE ENVERS L'UTILISATEUR OU TOUTE AUTRE PERSONNE DES DOMMAGES CONSÉCUTIFS, ACCIDENTELS, SPÉCIAUX, EXEMPLAIRES, INDIRECTS OU PUNITIFS RÉSULTANT DE L'UTILISATION DES PRODUITS, Y COMPRIS, MAIS SANS S'Y LIMITER, LES PRÉJUDICES CORPORELS, LA MORT, LES DOMMAGES MATÉRIELS, LA PERTE DE BÉNÉFICES OU TOUT AUTRE DOMMAGE ÉCONOMIQUE. Cette garantie vous confère des garanties juridiques particulières, et vous pouvez aussi avoir d'autres droits, qui varient selon l'État ou la province. Étant donné que certains États et certaines provinces ne permettent pas de limitations quant à la durée d'une garantie implicite ou ne permettent pas l'exclusion ou la limitation des dommages indirects ou secondaires, ou le délai de prescription pour intenter certaines actions, il est possible que les limitations contenues aux présentes ne s'appliquent pas à consommateurs dans ces États ou provinces.

Cette garantie est soumise au droit du Michigan et doit être interprétée conformément au droit du Michigan sans tenir compte des principes de conflits de lois. Aucune action en justice ne pourra être intentée contre Chervon North America si elle n'est pas déposée dans un délai d'un (1) an après que le fondement de cette action en justice aura été connu, ou qu'il aurait dû l'être si une diligence raisonnable avait été exercée. Toute action non intentée dans les délais est réputée abandonnée.

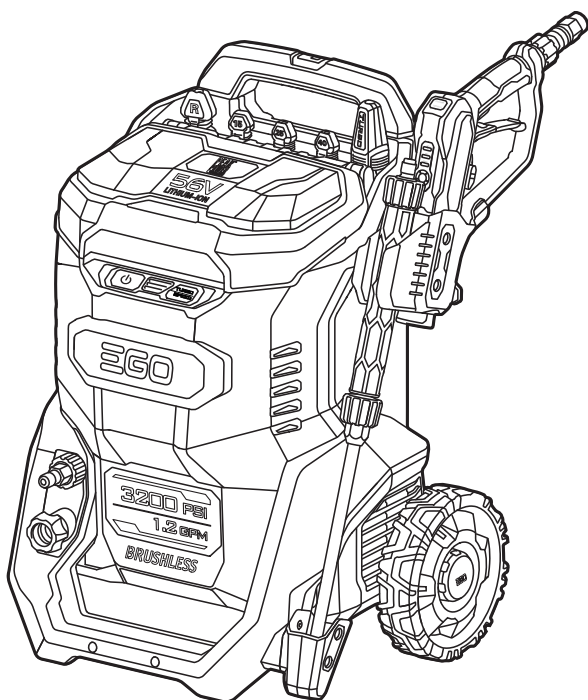


Pour le service à la clientèle, contactez-nous en téléphonant au numéro suivant (appel gratuit) : **1-855-EGO-5656** ou **EGOPOWERPLUS.COM**.

EGO Customer Service,
769 Seward Ave. NW, Suite 102,
Grand Rapids, Michigan 49504.

EGO™

POWER+ PRESSURE WASHER



MANUAL DEL USUARIO

HIDROLAVADORA A PRESIÓN DE ION LITIO DE 56 V

NÚMERO DE MODELO HPW3200/HPW3200-FC

⚠ ADVERTENCIA: Para reducir el riesgo de lesiones, el usuario debe leer y comprender el Manual del propietario antes de usar este producto. Guarde estas instrucciones para referencia futura.

¡LEA TODAS LAS INSTRUCCIONES!



LEA Y ENTIENDA EL
MANUAL DEL OPERADOR

ÍNDICE

| | |
|---|---------|
| Símbolos de seguridad | 91 |
| Símbolos | 92 |
| Instrucciones de seguridad para la hidrolavadora a presión. . . . | 93-95 |
| Introducción. | 96 |
| Especificaciones | 97 |
| Accesorios | 98 |
| Descripción | 99-104 |
| Ensamblaje | 105-115 |
| Utilización | 116-122 |
| Mantenimiento. | 123-128 |
| Resolución de problemas | 129-131 |
| Garantía Limitada de EGO | 132-133 |

SÍMBOLOS DE SEGURIDAD

El propósito de los símbolos de seguridad es alertarlo sobre posibles peligros. Los símbolos de seguridad y sus explicaciones merecen una atención y comprensión minuciosas. Las advertencias de los símbolos, por sí mismas, no eliminan los peligros. Las instrucciones y las advertencias no sustituyen las medidas de prevención de accidentes que correspondan.

⚠️ ADVERTENCIA: Antes de utilizar esta herramienta, asegúrese de leer y comprender todas las instrucciones de seguridad en este Manual del propietario, incluidos todos los símbolos de alerta de seguridad como “**PELIGRO**”, “**ADVERTENCIA**” y “**PRECAUCIÓN**”. No seguir todas las instrucciones que se indican a continuación podría resultar en descargas eléctricas, incendios y/o lesiones personales graves.

| | |
|--|--|
| Las definiciones que aparecen a continuación describen el nivel de gravedad de cada palabra de aviso. Por favor, lea el manual y preste atención a estos símbolos. | |
| | Este es el símbolo de alerta de seguridad. Se utiliza para alertarle a usted de posibles peligros de lesiones corporales. Obedezca todos los mensajes de seguridad que sigan a este símbolo para evitar posibles lesiones o la muerte. |
| ⚠️ PELIGRO | PELIGRO indica una situación peligrosa que, si no se evita, causará la muerte o lesiones graves. |
| ⚠️ ADVERTENCIA | ADVERTENCIA indica una situación peligrosa que, si no se evita, podría causar la muerte o lesiones graves. |
| ⚠️ PRECAUCIÓN | PRECAUCIÓN, utilizada con el símbolo de alerta de seguridad, indica una situación peligrosa que, si no se evita, podría causar lesiones leves o moderadas. |




MENSAJES DE PREVENCIÓN DE DAÑOS E INFORMACIÓN

Estos mensajes ofrecen al usuario información y/o instrucciones importantes que, de no seguirse, podrían causar daños al equipo u otros daños materiales. Antes de cada mensaje, aparece la palabra “**AVISO**”, como en el ejemplo a continuación:

AVISO: Si no se siguen estas instrucciones se pueden producir daños al equipo y/o daños materiales.

SÍMBOLOS

Esta página muestra y describe los símbolos de seguridad que es posible que aparezcan en este producto. Lea, entienda y siga todas las instrucciones que se encuentran en el producto antes de intentar ensamblarlo y utilizarlo.

| | | |
|---|--|---|
|  | Alerta de seguridad | Precauciones relacionadas con la seguridad del usuario. |
|  | Lea y entienda el manual del operador | Para reducir el riesgo de lesiones, el usuario debe leer y entender el manual del operador antes de utilizar este producto. |
|  | No se debe conectar a las tomas principales de agua potable. | El producto no está diseñado para ser conectado a las tomas principales de agua potable. |
| IP... | Calificación de protección contra la penetración (IP) | Clasifica el grado de protección proporcionada por un recinto cerrado para equipos eléctricos. |
| °F | Grados Fahrenheit | Temperatura |
| °C | Grados Celsius | Temperatura |
| lbs | Libras | Peso |
| kg | Kilogramo | Peso |
| PSI | Libras por pulgada cuadrada | Presión |
| MPa | Megapascal | Presión |
| GPM | Galones por minuto | Caudal |
| L/min | Litros por minuto | Caudal |

INSTRUCCIONES DE SEGURIDAD PARA LA HIDRO-LAVADORA A PRESIÓN

⚠ ADVERTENCIA: Riesgo de lesiones. No dirija el chorro de descarga hacia personas.

⚠ ADVERTENCIA: Cuando se utilice este producto, se deberán seguir siempre precauciones básicas, incluyendo las siguientes:

- Lea todas las instrucciones antes de utilizar el producto.
- Para reducir el riesgo de lesiones, se necesita supervisión estrecha cuando un producto se utilice cerca de niños.
- Sepa cómo parar el producto y eliminar la presión rápidamente. Esté sumamente familiarizado con los controles.
- Manténgase alerta: Fíjese en lo que está haciendo.
- No utilice el producto cuando esté fatigado o bajo la influencia de alcohol o drogas.
- Mantenga el área de utilización despejada de todas las personas.
- No utilice la hidrolavadora a presión en malas condiciones climáticas, especialmente cuando haya riesgo de rayos. Esto reduce el riesgo de ser alcanzado por rayos.
- No se debe conectar a las tomas principales de agua potable. El producto no está diseñado para ser conectado a las tomas principales de agua potable.
- No intente alcanzar demasiado lejos ni se suba a un soporte inestable. Mantenga un buen apoyo de los pies y un buen equilibrio en todo momento.
- Siga las instrucciones de mantenimiento especificadas en el manual.
- Prevenga los arranques accidentales. Asegúrese de que el interruptor esté en la posición de apagado antes de conectar el aparato eléctrico al paquete de batería, levantar el aparato eléctrico o transportarlo. Si se transporta el aparato eléctrico con el dedo en el interruptor o si se suministra corriente al aparato eléctrico cuando tenga el interruptor en la posición de encendido, se invita a que se produzcan accidentes.
- Desconecte el paquete de batería del aparato eléctrico antes de hacer cualquier ajuste, cambiar accesorios o almacenar el aparato eléctrico. Dichas medidas preventivas de seguridad reducen el riesgo de arrancar accidentalmente el aparato eléctrico.

- Recargue el paquete de batería solo con el cargador especificado por el fabricante. Es posible que un cargador que sea adecuado para un tipo de paquete de batería cree un riesgo de incendio cuando se utilice con otro paquete de batería.
- Utilice el aparato eléctrico solo con los paquetes de batería designados específicamente. Es posible que el uso de cualquier otro paquete de batería cree un riesgo de lesiones e incendio.
- Cuando el paquete de batería no se esté utilizando, manténgalo alejado de otros objetos metálicos, tales como clips sujetapapeles, monedas, llaves, clavos, tornillos u otros objetos metálicos pequeños, que puedan hacer una conexión de un terminal al otro. Si se cortocircuitan juntos los terminales de la batería, es posible que se causen quemaduras o un incendio.
- En condiciones abusivas es posible que se expulse líquido de la batería; evite el contacto. Si se produce contacto accidentalmente, enjuáguese con agua. Si el líquido entra en contacto con los ojos, obtenga además ayuda médica. Es posible que el líquido expulsado de la batería cause irritación o quemaduras.
- No utilice un paquete de batería o un aparato eléctrico que estén dañados o modificados. Es posible que las baterías dañadas o modificadas exhiban un comportamiento imprevisible que cause incendio, explosión o riesgo de lesiones.
- No exponga un paquete de batería o un aparato eléctrico a un fuego o a una temperatura excesiva. Es posible que la exposición a un fuego o a una temperatura superior a 265 °F (130 °C) cause una explosión.
- Siga todas las instrucciones de carga y no cargue el paquete de batería ni el aparato eléctrico fuera del intervalo de temperatura especificado en las instrucciones. Es posible que la realización de la carga de manera inadecuada o a temperaturas que estén fuera del intervalo especificado dañe la batería y aumente el riesgo de incendio.
- Haga que el servicio de ajustes y reparaciones sea realizado por un técnico de reparaciones calificado que utilice únicamente piezas de repuesto idénticas. Esto garantizará que se mantenga la seguridad del producto.
- No modifique ni intente reparar el aparato eléctrico o el paquete de batería (según corresponda), excepto tal como se indique en las instrucciones de uso y cuidado.

- **Utilice el producto solo con los paquetes de batería y los cargadores que se indican a continuación:**

| PAQUETE DE BATERÍA | CARGADOR |
|---|---|
| BA1400, BA1400-FC, BA2800, BA2800-FC, BA4200, BA4200-FC, BA1400T, BA1400T-FC, BA2242T, BA2242T-FC, BA2800T, BA2800T-FC, BA3360T, BA3360T-FC, BA4200T, BA4200T-FC, BA4480T, BA4480T-FC, BA5600T, BA5600T-FC, BA6720T, BA6720T-FC | CH2100, CH2100-FC, CH3200, CH3200-FC, CH5500, CH5500-FC, CH2800D, CH2800D-FC, CH7000, CH7000-FC |

¡GUARDE ESTAS INSTRUCCIONES! Consúltelas frecuentemente y úselas para instruir a otras personas que puedan utilizar este aparato eléctrico. Si le presta este aparato eléctrico a otra persona, préstele también estas instrucciones para evitar un uso incorrecto del producto y posibles lesiones.

INTRODUCCIÓN

Felicitaciones por su selección de la hidrolavadora a presión de ion litio de 56 V. Esta hidrolavadora a presión ha sido diseñada, concebida y fabricada para ofrecerle a usted la mejor confiabilidad y el mejor rendimiento posibles.

En caso de que tuviera algún problema que no pudiera resolver fácilmente, póngase en contacto con el Centro de Servicio al Cliente de EGO llamando al 1-855-EGO-5656.

Este manual contiene información importante para el ensamble, el funcionamiento y el mantenimiento seguro de su producto. Léalo detenidamente antes de usar el producto. Mantenga este manual a mano para poder consultarlo en cualquier momento.

NÚMERO DE SERIE _____ FECHA DE COMPRA _____

DEBE ANOTAR EL NÚMERO DE SERIE Y LA FECHA DE COMPRA Y CONSERVARLOS EN UN LUGAR SEGURO PARA CONSULTARLOS EN EL FUTURO.

ESPECIFICACIONES

| | |
|---|---|
| Tensión | 56 V |
| Presión nominal máxima | 3200 PSI (22 MPa) |
| Caudal nominal máximo (con la lanza de conexión rápida y el tubo extensor de acero inoxidable conectados) | 1,2 GPM (4,5 l/min) |
| Caudal nominal máximo (solo con la pistola de presión corta conectada) | 2,0 GPM (7,5 l/min) |
| Calificación de protección contra la penetración | IPX5* (protección contra los chorros de agua) |
| Temperatura de funcionamiento recomendada | 41 – 104 °F (5 – 40 °C) |
| Temperatura de almacenamiento recomendada | -4 – 158 °F (-20 – 70 °C) |
| Peso (sin paquete de batería) | 36,2 lb (16,4 kg) |

* **NOTA:** La calificación IPX5 es válida cuando el compartimiento de las baterías está cerrado correctamente.

ACCESORIOS

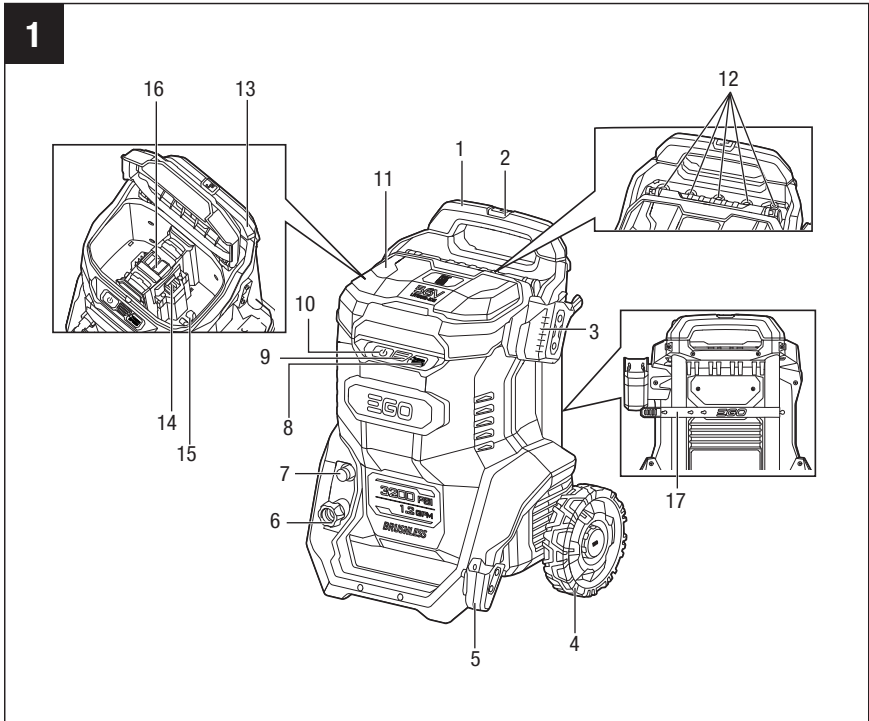
⚠ ADVERTENCIA: Utilice solo los accesorios idénticos que se indican a continuación. Es posible que el uso de accesorios que no cumplan con las especificaciones del equipo original cause un rendimiento incorrecto y ponga en peligro la seguridad.

| NOMBRE DE LA PIEZA | NÚMERO DE MODELO |
|---|------------------|
| Boquilla de 0° | ANZ3200 |
| Kit de boquillas (incluye una de cada): Boquilla Turbo, boquilla de 15°, boquilla de 25°, boquilla de 40°, boquilla de enjague) | ANK3200 |

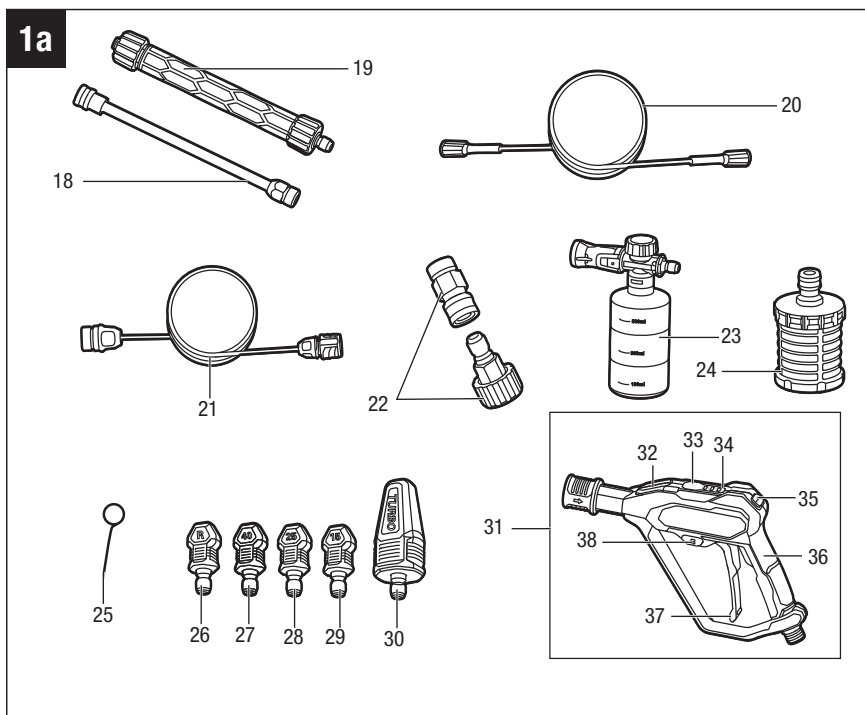
Para obtener más información sobre los últimos accesorios, sírvase visitar:
www.egopowerplus.com.

DESCRIPCIÓN

CONOZCA SU HIDROLAVADORA A PRESIÓN (Fig. 1)



- | | |
|---------------------------------------|--|
| 1. Empuñadura telescópica | 10. Botón de alimentación |
| 2. Botón de fijación de la empuñadura | 11. Compartimiento del paquete de batería |
| 3. Soporte de sujeción superior | 12. Almacenamiento de las boquillas |
| 4. Rueda (x2) | 13. Cubierta de los compartimientos de los paquetes de batería |
| 5. Soporte de sujeción inferior | 14. Contactos eléctricos |
| 6. Puerto de entrada de agua | 15. Mecanismo de eyección |
| 7. Puerto de salida de agua | 16. Botón de liberación de la batería |
| 8. Botón de velocidad | 17. Correa del soporte de la manguera |
| 9. Indicador de velocidad | |



- | | |
|--|---------------------------------------|
| 18. Tubo extensor de acero inoxidable | 29. Boquilla de 15° |
| 19. Lanza de conexión rápida | 30. Boquilla Turbo |
| 20. Manguera de alta presión | 31. Pistola de presión corta |
| 21. Manguera de sifón | 32. Cubierta de la batería |
| 22. Conjunto de acoplador rápido (x2) | 33. Indicador de combustible de 5 LED |
| 23. Cañón de espuma | 34. Indicador de velocidad |
| 24. Filtro | 35. Botón de velocidad |
| 25. Aguja de limpieza de las boquillas | 36. Empuñadura de la pistola |
| 26. Boquilla de enjuague | 37. Gatillo |
| 27. Boquilla de 40° | 38. Botón de fijación en apagado |
| 28. Boquilla de 25° | |

⚠ ADVERTENCIA: El uso seguro de este producto requiere entender la información que se encuentra en el producto y en este manual de instrucciones, así como tener conocimiento del proyecto que se esté intentando realizar. Antes de utilizar este producto, familiarícese con todas las características de funcionamiento y todas las normas de seguridad.

Empuñadura telescópica

Jale hacia fuera la empuñadura telescópica presionando el botón de fijación de la empuñadura telescópica para hacer rodar fácilmente la hidrolavadora a presión hasta el lugar deseado.

Botón de fijación de la empuñadura

Presione el botón de fijación para jalar hacia fuera la empuñadura telescópica o presione hacia abajo dicha empuñadura y suelte el botón de fijación para bloquear la empuñadura telescópica en una de las tres posiciones.

Ruedas

Las ruedas se utilizan para hacer rodar rápidamente la hidrolavadora a presión.

Puerto de entrada de agua

Con la manguera de sifón conectada, este puerto se utiliza para que fluya agua hacia dentro.

Puerto de salida de agua

Con la manguera de presión conectada, este puerto se utiliza para que fluya agua hacia fuera.

Manguera de sifón

Proporciona un camino para la entrada de agua.

Manguera de alta presión

Proporciona un camino para que fluya agua hacia fuera.

Correa de soporte de la manguera

Fija la manguera a presión cuando se almacena detrás de la pértiga de la empuñadura telescópica.

Pistola de presión corta

Agarre la pistola para rociar agua con ella. Proporciona un caudal elevado y una presión baja para aplicaciones de enjuague.

Soporte de sujeción superior/inferior

Proporciona soporte para la pistola de presión corta, la lanza de conexión rápida y el tubo extensor de acero inoxidable cuando no se estén utilizando.

Lanza de conexión rápida

Se requiere para conectar el tubo extensor de acero inoxidable a la pistola de presión corta. También sirve como empuñadura auxiliar.

Tubo extensor de acero inoxidable

Se requiere para conectar la mayoría de las boquillas.

Boquillas

Se utilizan para rociar agua con varios caudales, ángulos y formas para diferentes aplicaciones.

Cañón de espuma

Añada detergente al interior del cañón de espuma para realizar una limpieza profunda. Sírvase seguir las recomendaciones de concentración para el detergente espumante específico.

Aguja de limpieza de las boquillas

Se utiliza para despejar los bloqueos de las boquillas.

Conjunto de acoplador rápido (x2)

Instalada en la fábrica en el puerto de salida del agua, la manguera de presión y la pistola de presión corta para realizar una conexión/desconexión rápida.

Filtro

Filtra el agua antes de que fluya hacia el interior de la manguera de sifón.

Cubierta de la batería

Protege la batería tipo moneda (tipo botón) en su interior y se puede abrir para reemplazar la batería

Gatillo

Enciende y apaga la acción de rociado de agua.

Botón de fijación en apagado

Ayuda a prevenir la activación accidental del gatillo. Presiónelo el lado de desbloqueo del botón antes de que se pueda activar el gatillo.

Compartimiento de los paquetes de batería

Acomoda dos paquetes de batería.

Botón de liberación de la batería

Presiónelo para liberar el paquete de batería de la hidrolavadora a presión.

PEAK POWER™

Esta tecnología combina la potencia de hasta dos baterías EGO ARC Lithium™ de 56 V para ofrecer un tiempo de funcionamiento más prolongado y un consumo de energía eficiente.

PANEL DEL OPERADOR

Botón de alimentación

ENCIENDE y APAGA la hidrolavadora a presión.

Botón de velocidad

Permite que el operador seleccione la velocidad deseable.

Indicador de velocidad

Muestra una luz verde, dos luces verdes o tres luces verdes para indicar que la hidrolavadora a presión está funcionando a velocidad baja, alta o TURBO, respectivamente

Indicador de combustible de 5 LED

Indica el nivel de carga de la batería. Cuando haya dos paquetes de batería instalados, indicará el nivel del paquete que tiene la carga más alta.

ENSAMBLAJE

⚠ ADVERTENCIA: Si alguna de las piezas está dañada o falta, no utilice este producto hasta que las piezas hayan sido reemplazadas. La utilización de este producto con piezas dañadas o si le faltan piezas podría causar lesiones corporales graves.

⚠ ADVERTENCIA: No intente modificar este producto ni crear accesorios no recomendados para utilizarse con este producto. Cualquiera de dichas alteraciones o modificaciones constituye un uso incorrecto y podría provocar una situación peligrosa que cause posibles lesiones corporales graves.

⚠ ADVERTENCIA: Para prevenir arranques accidentales que podrían causar lesiones corporales graves, retire siempre el paquete de batería (los paquetes de batería) del producto cuando ensamble piezas.

DESEMPAQUE

Este producto requiere ensamblaje.

- Saque cuidadosamente el producto y todos los accesorios de la caja de cartón. Asegúrese de que todos los artículos indicados en la “**LISTA DE EMPAQUETAMIENTO**” estén incluidos.
- Inspeccione minuciosamente el producto para asegurarse de que no se hayan producido roturas o daños durante el envío.
- No deseche el material de empaquetamiento hasta que haya inspeccionado minuciosamente y utilizado satisfactoriamente el producto.
- Si alguna de las piezas está dañada o falta, sírvase devolver el producto al lugar de compra.

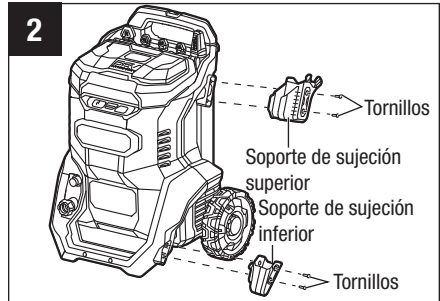
LISTA DE EMPAQUETAMIENTO

| NOMBRE DE LA PIEZA | | CANTIDAD |
|--|------------------------------|-----------------|
| Unidad hidrolavadora a presión | | 1 |
| Manguera de alta presión | | 1 |
| Manguera de sifón | | 1 |
| Pistola de presión corta | | 1 |
| Lanza de conexión rápida | | 1 |
| Tubo extensor de acero inoxidable | | 1 |
| Conjunto de acoplador rápido (instalado en la fábrica en el puerto de salida de agua, la manguera de alta presión y la pistola de presión corta) | | 2 |
| Cañón de espuma | | 1 |
| Filtro | | 1 |
| Aguja de limpieza de las boquillas | | 1 |
| Boquillas | Boquilla de 15° | 1 |
| | Boquilla de 25° | 1 |
| | Boquilla de 40° | 1 |
| | Boquilla Turbo | 1 |
| | Boquilla de enjuague | 1 |
| Ensamblaje del soporte de sujeción | Soporte de sujeción superior | 1 |
| | Soporte de sujeción inferior | 1 |
| | Tornillo | 4 |
| Manual del operador | | 1 |

INSTALACIÓN DEL ENSAMBLAJE DEL SOPORTE DE SUJECIÓN (Fig. 2)

Herramienta requerida (no suministrada): Destornillador de cabeza Phillips

1. Con la abertura ancha orientada hacia arriba, alinee los agujeros del soporte de sujeción superior con los agujeros ubicados en el lado superior de la hidrolavadora a presión.
2. Enrosque dos tornillos en los agujeros y luego apriételos firmemente.
3. Instale el soporte de sujeción inferior siguiendo los pasos que anteceden de manera similar.

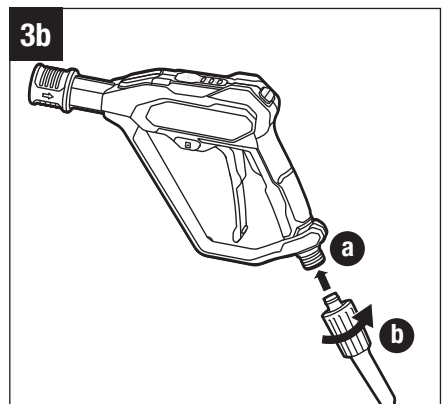
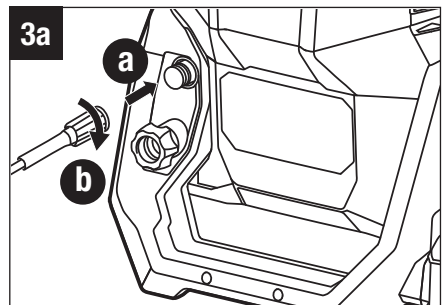


CONEXIÓN DE LA MANGUERA DE ALTA PRESIÓN (Fig. 3 – Fig. 5)

Usted puede conectar la manguera de alta presión de una de las siguientes maneras:

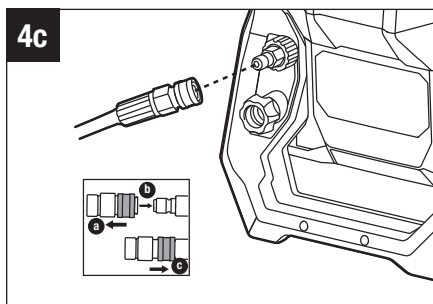
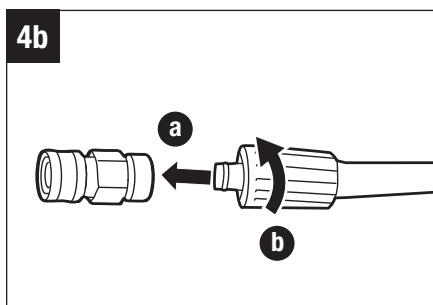
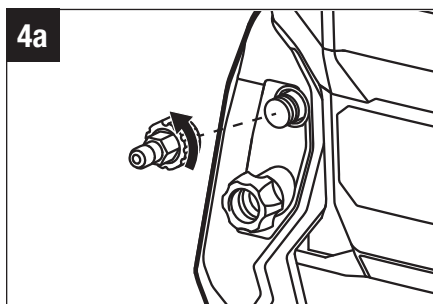
- Conecte la manguera de alta presión al puerto de salida de agua y la pistola directamente a través de las juntas roscadas (Fig. 3a y 3b);
- Conecte la manguera de alta presión al puerto de salida de agua y la pistola utilizando los dos conjuntos de acoplador rápido para lograr una instalación/desinstalación fácil.

NOTA: Los conjuntos de acoplador rápido han sido instalados en el puerto de salida de agua, la manguera de alta presión y la pistola en la fábrica. Usted podría ignorar los pasos 1 y 2 y seguirlos solo cuando reemplace los conjuntos de acoplador rápido.

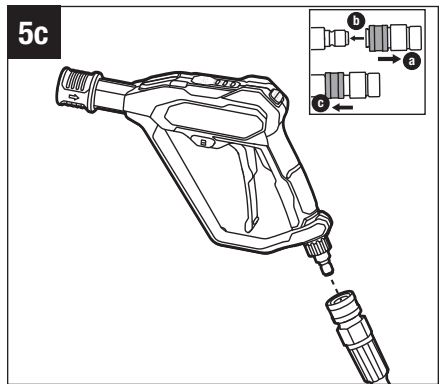
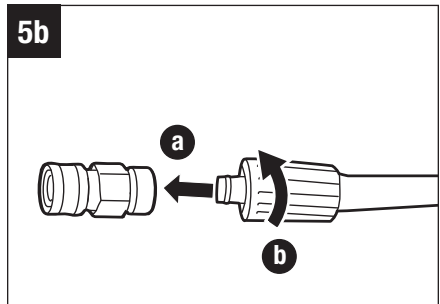
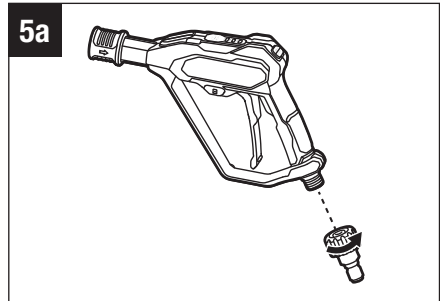


1. Enrosque firmemente la parte roscada interna del acoplador rápido en el puerto de salida de agua (Fig. 4a).
2. Instale un extremo de la manguera de alta presión en la parte roscada externa del conjunto de acoplador rápido y luego fíjelos firmemente (Fig. 4b).
3. Jale hacia atrás el collarín del extremo de la manguera de alta presión donde está el acoplador rápido y luego instálolo en el puerto de salida de agua hasta que oiga un “clic” (Fig. 4c).

Para desconectar, jale hacia fuera el collarín del acoplador rápido para jalar la manguera de alta presión con el fin de separarla del puerto de salida de agua.

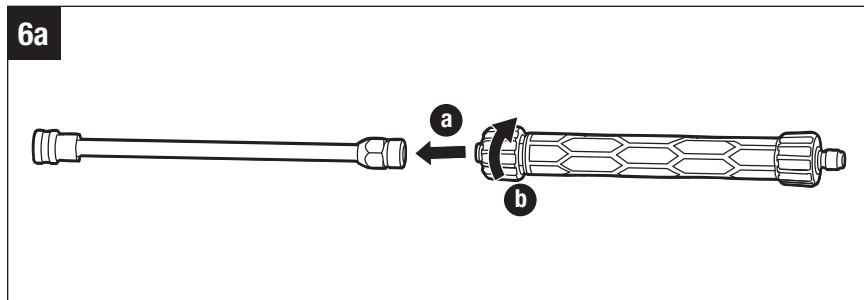


Siga los pasos que anteceden para instalar el conjunto de acoplador rápido en el otro extremo de la manguera de alta presión y el extremo roscado de la pistola, y luego conecte la manguera de alta presión y la pistola (Fig. 5).



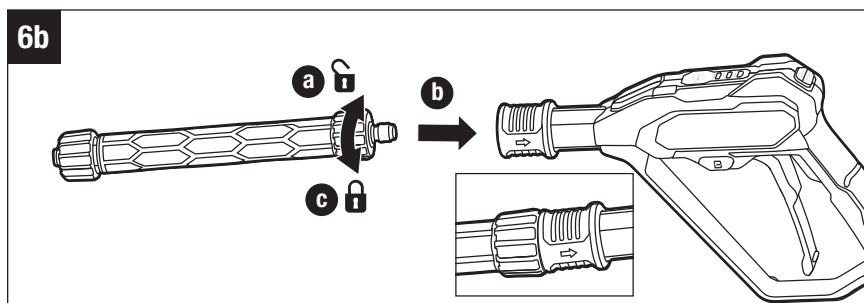
CONEXIÓN DE LA LANZA DE CONEXIÓN RÁPIDA Y EL TUBO EXTENSOR DE ACERO INOXIDABLE (Fig. 6)

1. Para conectar el tubo extensor a la lanza, instale el extremo roscado externo del tubo extensor en el extremo roscado interno de la lanza y luego enrósquelos firmemente juntos (Fig. 6a).



2. Para conectar la lanza a la pistola (Fig. 6b):

- a. Enrosque la perilla en la lanza para dejar completamente al descubierto su junta de conexión.
- b. Inserte la lanza en el acoplador rápido de la pistola hasta que oiga un “clic”. El anillo externo del acoplador rápido se moverá automáticamente hacia delante, lo cual indica que la conexión se ha establecido correctamente.
- c. Enrosque la perilla en la lanza para apretar la conexión.



Para desconectar,

1. Desenrosque el tubo extensor para separarlo de la lanza y jálalo hacia fuera.

- Enrosque la perilla en la lanza para aflojar la conexión y luego jale hacia atrás el anillo externo del acoplador rápido de la pistola para jalar hacia fuera la lanza.

⚠ ADVERTENCIA: Agarre siempre la pistola con una mano y la lanza con la otra mano cuando desconecte la lanza de la pistola. Es posible que se produzcan lesiones corporales si la lanza se cae.

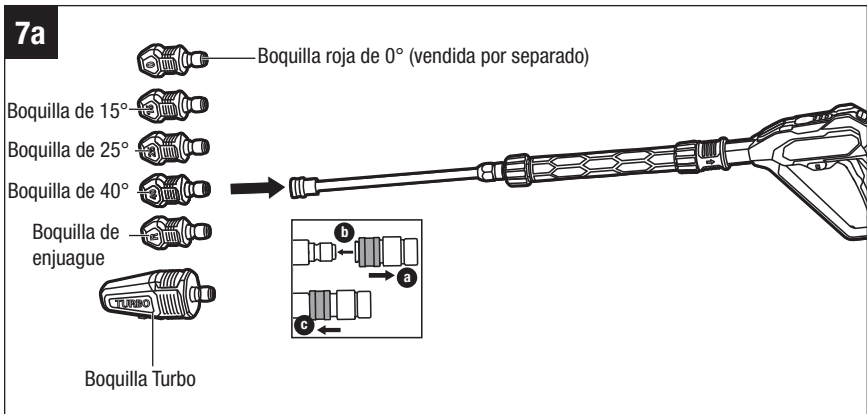
CONEXIÓN DE UNA BOQUILLA (Fig. 7)

NOTA: Las boquillas no se pueden conectar a la lanza.

- Escoja la boquilla de 0° (vendida por separado), la boquilla de 15°, la boquilla de 25°, la boquilla de 40° o la boquilla Turbo para instalarla en el tubo extensor (Fig. 7a).

Para conectar, jale hacia atrás el collarín del extremo del tubo extensor donde está el acoplador rápido y luego inserte la boquilla hasta que oiga un “clic”.

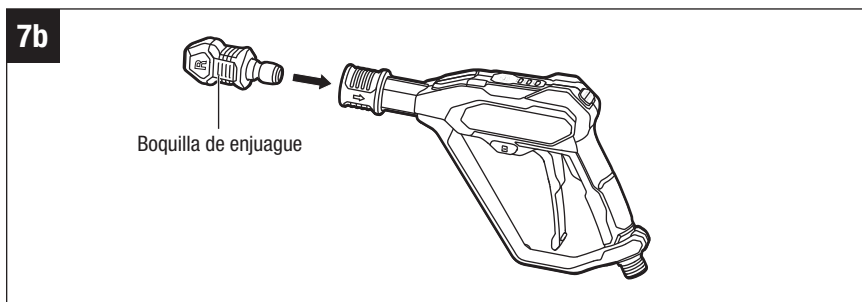
Para desconectar, jale hacia atrás el collarín del acoplador rápido y luego jale hacia fuera la boquilla.



- La boquilla de enjuague se conecta directamente a la pistola (Fig. 7b).

Para conectar, inserte la boquilla de enjuague en el anillo externo del extremo de la pistola donde está el acoplador rápido hasta que oiga un “clic”. El anillo externo del acoplador rápido se moverá automáticamente hacia delante, lo cual indica que la conexión está establecida. Jale la boquilla para asegurarse de que esté instalada firmemente.

Para desconectar, jale hacia atrás el anillo externo del acoplador rápido y luego jale hacia fuera la boquilla de enjuague.



⚠ ADVERTENCIA: Agarre siempre la pistola con una mano y la boquilla con la otra mano cuando desconecte la boquilla de la pistola. Es posible que se produzcan lesiones corporales si la boquilla salta hacia fuera.

Utilice la tabla que aparece a continuación para escoger la boquilla adecuada para el trabajo que vaya a realizar.

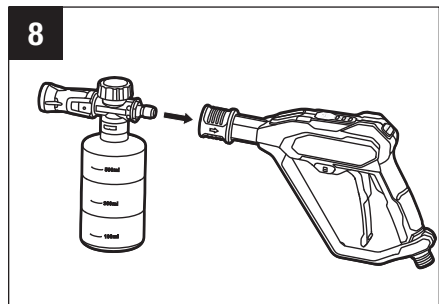
| SELECCIÓN DE LA BOQUILLA | APLICACIONES |
|---|--|
| Boquilla roja de 0° (vendida por separado) | Limpieza potente a corta distancia para superficies de metal o de concreto. NO SE DEBE UTILIZAR EN MADERA. |
| Boquilla amarilla de 15° | Limpieza de superficies pequeñas de metal, concreto o madera. |
| Boquilla verde de 25° | Limpieza de superficies más grandes de metal, concreto o madera. |
| Boquilla blanca de 40° | Limpieza de superficies anchas de metal, concreto, madera o vinilo. |
| Boquilla de enjuague gris | Enjuague de vehículos. Enjuague del detergente para retirarlo de metal, concreto, madera o vinilo. |
| Boquilla Turbo | Limpieza de superficies duras solamente, Para prevenir daños a la superficie, no se debe utilizar en automóviles ni en superficies de madera. |

CONEXIÓN DEL CAÑÓN DE ESPUMA (Fig. 8)

El cañón de espuma se conecta directamente a la pistola.

Jale hacia atrás el anillo externo del extremo de la pistola donde está el acoplador rápido y luego instale el cañón de espuma hasta que oiga un “clic”. El anillo externo del acoplador rápido se moverá automáticamente hacia delante, lo cual indica que la conexión se ha establecido. Jale la boquilla del cañón de espuma para asegurarse de que esté instalada firmemente.

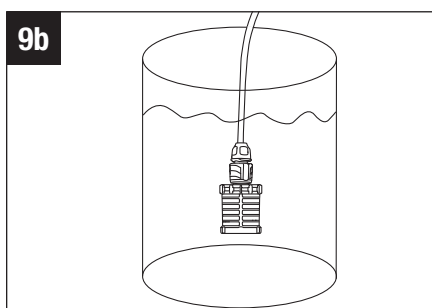
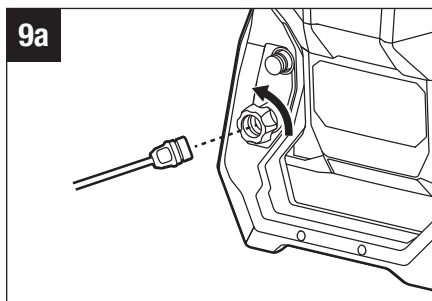
Para desconectar, jale hacia atrás el anillo externo del acoplador rápido y luego jale hacia fuera el cañón de espuma.



CONEXIÓN DE LA MANGUERA DE SIFÓN (Fig. 9)

Cuando utilice una cubeta de agua (no suministrada) como fuente de agua, conecte la manguera de sifón a la hidrolavadora a presión

1. Alinee el extremo roscado de la manguera de sifón con el puerto de entrada de agua y apriételes firmemente enroscando la perilla del puerto de entrada de agua (Fig. 9a).
2. Instale el filtro en el acoplador rápido de la manguera de sifón y luego sumerja el filtro y el acoplador rápido completamente en el agua (Fig. 9b).



NOTA: Se recomienda llenar completamente la cubeta con agua ANTES de insertar el filtro y el acoplador rápido. De esta manera, el filtro y el acoplador rápido se sumergirán adecuadamente. Es posible que floten si se insertan en la cubeta vacía antes de llenarla con agua.

CONEXIÓN A LA MANGUERA DE JARDÍN (NO SUMINISTRADA)

Cuando utilice una llave de agua (no suministrada) como fuente de agua, conecte la hidrolavadora a presión a una manguera de jardín (no suministrada).

IMPORTANTE: Observe siempre todos los reglamentos locales cuando conecte mangueras a la toma principal de agua. Algunas áreas tienen restricciones contra la conexión directamente al suministro de agua potable pública, para prevenir el retroflujo de sustancias químicas al suministro de agua potable. Generalmente se permite la conexión directa a través de un tanque receptor o un inhibidor del retroflujo.

El suministro de agua debe venir de una toma principal de agua. No utilice NUNCA agua caliente o agua de piscinas, lagos, etc.

Antes de conectar la manguera de jardín a la hidrolavadora a presión:

- Haga correr agua a través de la manguera durante 30 segundos para eliminar todos los residuos de la manguera.
- Inspeccione la malla metálica en el puerto de entrada de agua. Si la malla metálica está dañada, no utilice la máquina hasta que dicha malla haya sido reemplazada. Si la malla metálica está sucia, límpiela.
- Desenrolle completamente la manguera de jardín o retírela completamente de la bobina para prevenir enredos.

NOTA: Debe haber suficiente longitud de manguera no restringida entre el puerto de entrada de agua y la llave de agua de la manguera o la válvula de cierre (tal como un conector de cierre en “Y”).

Con la llave de agua de la manguera completamente cerrada, conecte el extremo de la manguera de jardín a la hidrolavadora.

UTILIZACIÓN

⚠ ADVERTENCIA: No deje que la familiaridad obtenida con este producto le haga descuidarse. Recuerde que una fracción de segundo de descuido es suficiente para causar lesiones graves.

⚠ ADVERTENCIA: No utilice aditamentos o accesorios no recomendados por el fabricante de este producto. El uso de aditamentos o accesorios no recomendados puede causar lesiones corporales graves.

⚠ ADVERTENCIA: Para prevenir lesiones corporales graves, retire el paquete de batería del producto antes de hacer servicio de ajustes y reparaciones, realizar limpieza, cambiar aditamentos o retirar materia del producto.

APLICACIÓN

Usted puede utilizar este producto para los propósitos que se indican a continuación:

- Eliminar suciedad de automóviles, paredes, pisos, etc.

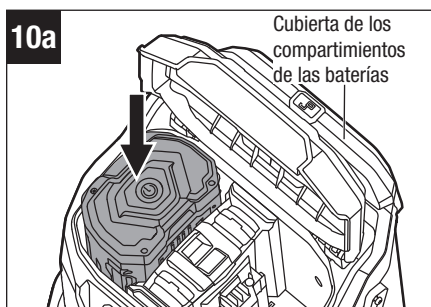
INSTALACIÓN/DESINSTALACIÓN DEL PAQUETE DE BATERÍA (Fig. 10)

¡Cargue el paquete de batería (los paquetes de batería) antes del primer uso!

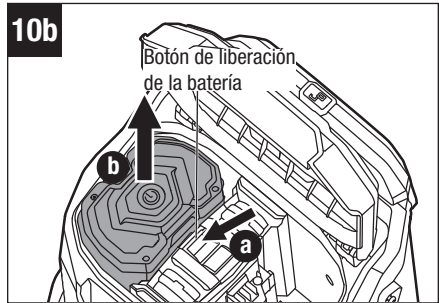
NOTA: La hidrolavadora a presión se puede alimentar eléctricamente con uno o dos paquetes de batería. La utilización de dos paquetes de batería le proporciona a usted un tiempo de funcionamiento más prolongado y un consumo de energía eficiente gestionado por la tecnología PEAK POWER™.

NOTA: La utilización de un paquete de batería no le permitirá alcanzar la **velocidad TURBO**. Para obtener el mejor rendimiento posible, recomendamos enfáticamente el uso de dos paquetes de batería de 5,0 Ah o más Ah.

1. La cubierta de los compartimientos de los paquetes de batería está embisagrada. Suba la cubierta levantando la parte delantera de la misma.



2. Alinee los surcos ubicados en el paquete de batería con las costillas en relieve ubicadas en uno de los compartimientos de las baterías y luego inserte el paquete de batería en el compartimiento (Fig. 10a).
3. Empuje el paquete de batería hasta que oiga un “clic”. El botón de liberación de la batería subirá por resorte cuando el paquete de batería esté firmemente sujeto.



AVISO: Asegúrese de que el pestillo ubicado en el compartimiento (los compartimientos) de las baterías se acople a presión en la posición correcta y que el paquete de batería o los paquetes de batería esté firmemente sujetos a la unidad antes de comenzar su utilización.

4. Instale el otro paquete de batería en el otro compartimiento de las baterías de la misma manera.
5. **Para desinstalar el paquete de batería,** presione el botón de liberación de la batería para liberar el paquete de batería, y luego levante dicho paquete para sacarlo del compartimiento (Fig. 10b).
6. Cierre la cubierta de los compartimientos de los paquetes de batería.

⚠ ADVERTENCIA: Retire siempre el paquete de batería cuando la hidrolavadora a presión no se esté utilizando.

ARRANQUE/PARADA DE LA HIDROLAVADORA A PRESIÓN (Fig. 11)

Para arrancar la hidrolavadora a presión

AVISO: No arranque la hidrolavadora a presión sin el suministro de agua conectado y abierto. Es posible que esto dañe los sellos de alta presión y reduzca la vida útil de la bomba.

1. Asegúrese de que la manguera de sifón, la manguera de alta presión, la pistola y la boquilla esté conectadas adecuadamente.
2. Conecte la lanza, el tubo extensor, el cañón de espuma y el filtro de acuerdo con las necesidades que usted tenga.

3. Escoja una de las cuatro maneras de suministro de agua que se indican a continuación:
 - Cuando utilice una manguera de jardín (no suministrada), conecte la hidrolavadora a presión a la manguera de jardín y luego abra la llave de agua.
 - Cuando utilice una cubeta de agua, conecte el filtro a la manguera de sifón y luego sumerja el filtro y la junta del acoplador rápido completamente en la cubeta de agua.
4. Instale el paquete de batería (los paquetes de batería) en la hidrolavadora a presión.
5. Presione el botón de alimentación para encender la hidrolavadora a presión. La hidrolavadora siempre funcionará a velocidad alta después de cada arranque.

NOTA: Cuando la hidrolavadora a presión esté encendida, pero no haya acciones adicionales, la hidrolavadora se apagará automáticamente después de estar 5 minutos en espera. Durante los primeros minutos de espera, el indicador de velocidad ubicado en la hidrolavadora a presión hará parpadear tres luces verdes, lo cual indica que no está fluyendo agua hacia el interior de la manguera de sifón.

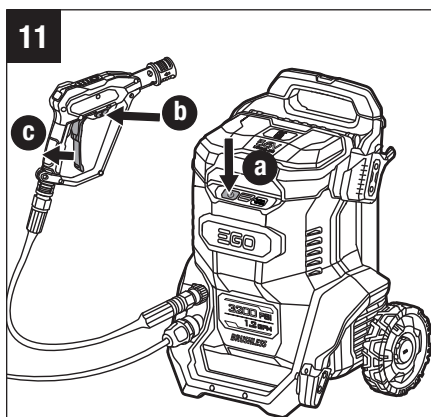
6. Agarre la pistola con las dos manos, presione el lado de desbloqueo del botón de fijación en apagado y luego apriete el gatillo hasta que se produzca un flujo de agua constante.

NOTA: Si la lanza está conectada, agarre la pistola con una mano y la lanza con la otra mano.

7. Comience a rociar para lavar.

NOTA: Es posible que tome algo de tiempo para que el agua viaje desde la fuente y salga por la boquilla como un rocío constante. Para lograr rápidamente un flujo de agua constante, puede que usted quiera:

- a. Retirar la boquilla.



- b. Presionar el gatillo y esperar hasta que una corriente de agua constante comience a salir del tubo extensor.
- c. Soltar el gatillo y reinstalar la boquilla.

⚠ ADVERTENCIA: Las llantas y/o las válvulas de llanta de automóvil solo se podrán limpiar desde una distancia mínima de 11-3/4 pulgadas (30 cm) para evitar daños causados por el chorro de alta presión. La primera indicación de daños es la descoloración de la llanta. Las llantas o las válvulas de llanta de automóvil dañadas presentan un riesgo de lesiones.

Para detener la hidrolavadora a presión

1. Una vez que se haya completado el lavado, suelte el gatillo y presione el botón de fijación en apagado hasta la posición de bloqueo.
2. Presione el botón de alimentación para apagar la hidrolavadora a presión.
3. Cierre la llave de agua o retire la manguera de sifón de la cubeta de agua.
4. **Presione el botón de fijación en apagado de la pistola hasta la posición de desbloqueo y apriete el gatillo para vaciar las mangueras de agua.**

AVISO: La pistola, las mangueras, los tubos extensores, las boquillas o el cañón de espuma no se deberán desconectar mientras quede agua en las mangueras.

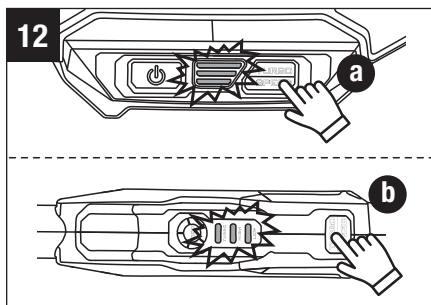
5. Desconecte y retire la pistola, las mangueras, los tubos extensores, las boquillas o el cañón de espuma.
6. Presione el botón de alimentación para encender la hidrolavadora a presión con el finde vaciarla de agua.
7. Presione de nuevo el botón de alimentación para apagar la hidrolavadora a presión.
8. Retire el paquete de batería (los paquetes de batería).

CONTROL REMOTO

La pistola se puede emparejar con la hidrolavadora a presión para funcionar como un control remoto.

Emparejamiento de la pistola de presión corta (Fig. 12)

1. Inserte el paquete de batería (los paquetes de batería) y encienda la hidrolavadora de alta presión.
2. Presione prolongadamente el botón de velocidad ubicado en la hidrolavadora de alta presión hasta sus tres luces verdes comiencen a parpadear.



NOTA: El parpadeo durará aproximadamente 20 s, por lo que la pistola se podrá emparejar solo durante este tiempo. Usted también podría presionar brevemente el botón de velocidad ubicado en la hidrolavadora para salir del modo de emparejamiento en cualquier momento.

3. Presione prolongadamente el botón de velocidad ubicado en la pistola hasta que sus tres luces verdes comiencen a parpadear, lo cual significa que el proceso de emparejamiento ha comenzado.

NOTA: El parpadeo que indica el proceso de emparejamiento durará aproximadamente 10 s. Usted podría presionar brevemente el botón de velocidad ubicado en la pistola para salir del proceso de emparejamiento en cualquier momento.

4. Los indicadores de velocidad ubicados en la hidrolavadora y la pistola mostrarán tres luces verdes juntas durante 3 s para indicar que el emparejamiento ha sido exitoso, y luego mostrarán dos luces verdes.
5. Si el emparejamiento ha fallado, los indicadores de velocidad ubicados en la hidrolavadora y la pistola harán parpadear tres luces verdes y luego se apagarán.

Utilización del control remoto

Después de completar el emparejamiento, presione el botón de velocidad una vez en la pistola y el indicador de combustible de 5 LED y el indicador de velocidad se iluminarán. Presione de nuevo el botón de velocidad para cambiar realmente la velocidad.

NOTA:

- El indicador de combustible de 5 LED y el indicador de velocidad se apagarán cuando no haya ninguna acción adicional en el botón de velocidad de la pistola dentro del plazo de 10 s.
- El indicador de combustible de 5 LED indica el nivel de carga de la batería. Cuando haya dos paquetes de batería instalados, indica el nivel del paquete de batería que tenga la carga más alta.
- El indicador de velocidad ubicado en la pistola siempre está sincronizado con el indicador de velocidad ubicado en la unidad hidrolavadora a presión.

SELECCIÓN DE LA VELOCIDAD

- La velocidad de la hidrolavadora a presión se puede ajustar por medio del botón de velocidad tanto de la hidrolavadora como de la pistola emparejada.
- La velocidad de la hidrolavadora a presión se puede ajustar cuando la hidrolavadora esté encendida o durante el rociado.
- Cada vez que se presione el botón de velocidad, la velocidad alternará entre nivel alto, nivel TURBO y nivel bajo. El indicador de velocidad muestra una luz verde, dos luces verdes o tres luces verdes para indicar que la hidrolavadora a presión está funcionando a velocidad baja, velocidad alta o velocidad TURBO, respectivamente.

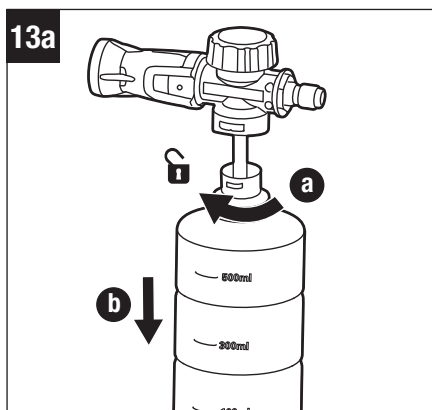
NOTA: CUANDO SOLO HAYA UN PAQUETE DE BATERÍA INSERTADO, LA VELOCIDAD TURBO NO SE PODRÁ ALCANZAR Y CADA VEZ QUE SE PRESIONE EL BOTÓN DE VELOCIDAD, LA VELOCIDAD ALTERNARÁ ENTRE EL NIVEL ALTO Y EL NIVEL BAJO.

NOTA: Si la hidrolavadora a presión se mantiene en funcionamiento a la velocidad TURBO, es posible que el tiempo de funcionamiento por carga resulte afectado.

LIMPIEZA CON DETERGENTE (Fig. 13)

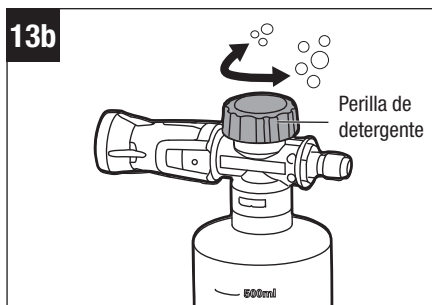
⚠ ADVERTENCIA: Utilice solo detergentes hechos específicamente para utilizarse con hidrolavadoras a presión. Cumpla con las instrucciones de aplicación, eliminación y seguridad del fabricante del detergente.

1. Gire la botella del cañón de espuma en sentido contrario al de las agujas del reloj y retírela (Fig. 13a).
2. Vierta detergente en la botella.



AVISO: La temperatura del detergente no deberá exceder 140 °F (60 °C).

3. Reinstale el cañón de espuma y conéctelo al acoplador rápido de la pistola.
4. Rote la perilla de detergente para ajustar la cantidad de detergente añadida al flujo de agua de acuerdo con sus necesidades (Fig. 13b).



5. Abra la llave de agua o sumerja el filtro de la manguera de sifón y la junta del acoplador rápido completamente en la cubeta de agua, arranque la hidrolavadora a presión y rocíe el detergente sobre una superficie seca utilizando pasadas largas, uniformes y que se traslapen. Para prevenir la formación de franjas, no deje que el detergente se seque en la superficie.

NOTA: Se recomienda seleccionar la velocidad baja para realizar una limpieza suave.

MANTENIMIENTO

⚠ ADVERTENCIA: Para prevenir lesiones corporales graves, retire el paquete de batería del producto antes de hacer servicio de ajustes y reparaciones, realizar limpieza, cambiar aditamentos o retirar material de la unidad.

⚠ ADVERTENCIA: Cuando haga servicio de ajustes y reparaciones, utilice solo piezas de repuesto idénticas. Es posible que el uso de cualquier pieza que no cumpla con las especificaciones del equipo original cree un peligro o cause daños al producto. Para garantizar la seguridad y confiabilidad, todas las reparaciones deberán ser realizadas por un técnico de servicio calificado.

AVISO: Inspeccione periódicamente todo el producto para determinar si hay piezas dañadas, si faltan piezas o si hay piezas flojas, tales como tornillos, tuercas, pernos, tapas, etc. Apriete firmemente todos los sujetadores y todas las tapas, y no utilice este producto hasta que todas las piezas que falten o estén dañadas hayan sido reemplazadas.

MANTENIMIENTO GENERAL

Evite utilizar solventes cuando limpie piezas de plástico. La mayoría de los plásticos son susceptibles de sufrir daños causados por diversos tipos de solventes comerciales y es posible que resulten dañados por su uso. Use un paño limpio para retirar la suciedad, el polvo, el aceite, la grasa, etc.

⚠ ADVERTENCIA: No deje en ningún momento que líquidos de freno, gasolina, productos a base de petróleo, aceites penetrantes, etc., entren en contacto con las piezas de plástico. Las sustancias químicas pueden dañar, debilitar o destruir el plástico, lo cual es posible que cause lesiones corporales graves.

REEMPLAZO DE LA BATERÍA TIPO MONEDA (Fig. 14)

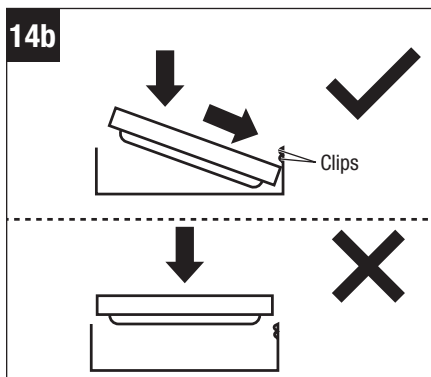
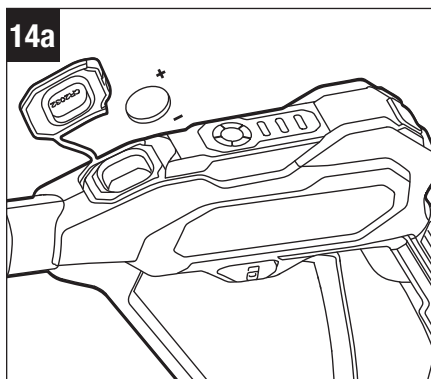
Cuando el control remoto y los indicadores LED ubicados en la pistola dejen de funcionar, la capacidad de la batería será baja.

1. Abra la cubierta de la batería y retire la batería vieja (Fig. 14a).
2. Observando la polaridad correcta (+ y -), incline la batería nueva e insértela primero debajo de los dos clips ubicados en el compartimiento de la batería y luego empuje la batería hacia el interior del compartimiento (Fig. 14b).

AVISO: No empuje nunca la batería directamente hacia el interior del compartimiento. De lo contrario, los dos clips resultarán dañados, lo cual causará una falla del control remoto de la pistola.

3. Cierre la cubierta.

NOTA: Usted tendrá que emparejar de nuevo la pistola con la hidrolavadora a presión después de reemplazar la batería tipo moneda, siguiendo las instrucciones de la sección “Emparejamiento de la pistola de presión corta”.



| Batería requerida | Modelo |
|----------------------------------|--------|
| Batería tipo moneda (tipo botón) | CR2032 |

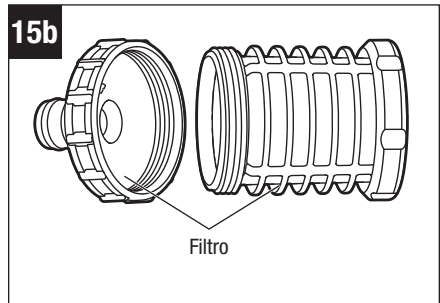
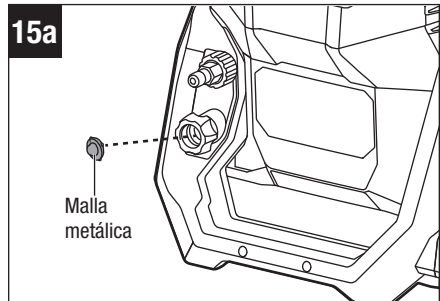
⚠ ADVERTENCIA: Peligro de quemaduras químicas. No ingiera la batería. Mantenga las baterías nuevas y usadas fuera del alcance de los niños. Si cree que es posible que las baterías puedan haber sido tragadas o colocadas dentro de cualquier parte del cuerpo, busque atención médica inmediata.

Este producto contiene una batería tipo moneda/botón de litio. Si una batería tipo moneda/botón de litio nueva o usada se traga o entra en el cuerpo, puede causar quemaduras internas graves y puede causar la muerte en tan poco tiempo como 2 horas.

⚠ ADVERTENCIA: Cierre siempre de manera firme y completa el compartimiento de las baterías. Si el compartimiento de las baterías no se cierra firmemente, deje de utilizar el producto, retire las baterías y mantenga el producto alejado de los niños.

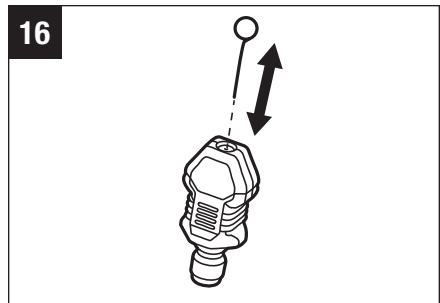
LIMPIEZA DE LOS FILTROS (Fig. 15)

- Retire la malla metálica del puerto de entrada de agua y enjuague dicha malla o reemplácela si es necesario (Fig. 15a).
- Cuando utilice una cubeta de agua como fuente de agua para la hidrolavadora a presión, compruebe y limpie periódicamente el filtro. Retire el filtro del acoplador rápido de la manguera de sifón, desenrosque el filtro y luego enjuáguelo completamente (Fig. 15b).



LIMPIEZA DE LAS BOQUILLAS (Fig. 16)

Cuando los agujeros de las boquillas estén bloqueados, usted podrá utilizar la aguja de limpieza de boquillas suministrada para pasar a través de los agujeros y retirar el bloqueo.

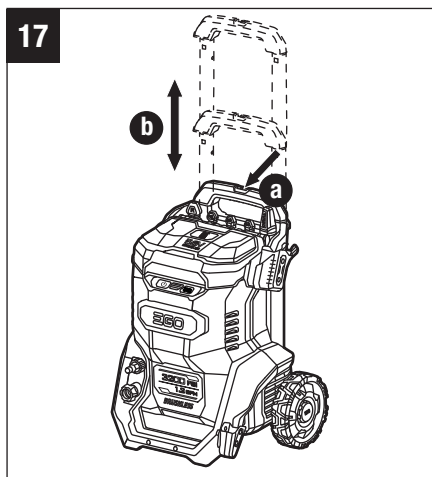


TRANSPORTE DE LA HIDROLAVADORA A PRESIÓN (Fig. 17)

⚠ ADVERTENCIA: Retire siempre el paquete de batería de la hidrolavadora a presión cuando la transporte. Al retirar el paquete de batería se prevendrán arranques accidentales que podría causar lesiones corporales graves.

Presione el botón de fijación de la empuñadura y jale hacia fuera la empuñadura telescópica hasta el primer nivel de longitud, hasta que oiga un “clic”. Si lo desea, puede presionar el botón de fijación de la empuñadura y luego jalar hacia fuera la empuñadura telescópica hasta el segundo nivel de longitud.

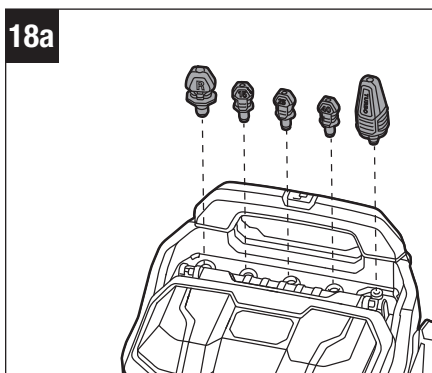
Cuando la empuñadura telescópica no se esté utilizando, presione el botón de fijación de la empuñadura y luego empuje la empuñadura telescópica completamente hacia abajo.



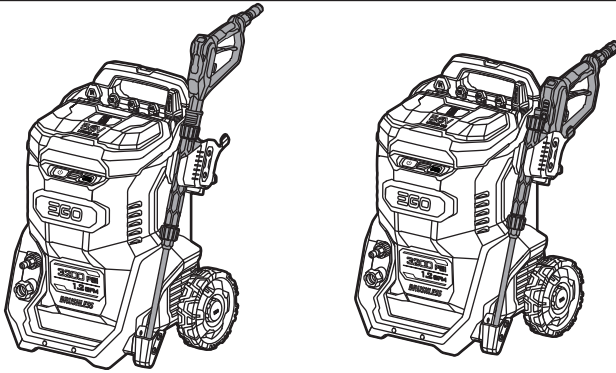
ALMACENAMIENTO DE LA HIDROLAVADORA A PRESIÓN (Fig. 18)

1. Pare la hidrolavadora a presión, reduzca la presión, vacíela de agua y retire el paquete de batería de la hidrolavadora a presión siguiendo las instrucciones de la sección **“Para detener la hidrolavadora a presión”**.

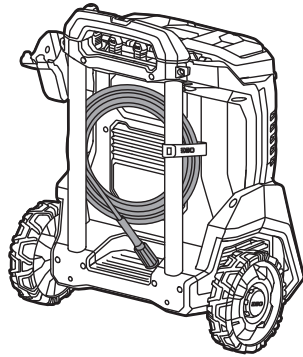
2. Almacene las boquillas en el área de almacenamiento de boquillas de la hidrolavadora a presión (Fig. 18a).



- Almacene la pistola y el ensamblaje de la lanza y el tubo extensor en los soportes de sujeción o desconecte la pistola y almacénela en los soportes de sujeción superiores (Fig. 18b).

18b

- Enrolle la manguera de alta presión, almacénela detrás de la empuñadura telescópica y fíjela utilizando la correa de soporte de la manguera (Fig. 18c).
- Limpie completamente la hidrolavadora a presión antes de almacenarla.
- Almacene la hidrolavadora a presión en un área seca y bien ventilada, cerrada con llave o elevada, fuera del alcance de los niños. No almacene la hidrolavadora a presión sobre o adyacente a fertilizantes, gasolina u otras sustancias químicas.

18c

PREPARACIÓN DE LA HIDROLAVADORA A PRESIÓN PARA EL INVIERNO

La preparación para el invierno de una hidrolavadora a presión es esencial para protegerla contra las temperaturas heladas, las cuales pueden causar daños a la bomba, las mangueras y otros componentes.

1. **Apague la hidrolavadora a presión.** Asegúrese de que la hidrolavadora a presión esté apagada y que los paquetes de batería se hayan retirado.
2. **Elimine la presión.** Apriete el gatillo de la pistola para eliminar toda la presión que quede en el sistema. Esto podría prevenir la acumulación de presión durante el proceso de preparación para el invierno.
3. **Desconecte las mangueras y los accesorios.** Retire todas las mangueras, la pistola y otros accesorios de la hidrolavadora a presión. Drene toda el agua de las mangueras sosteniéndolas en posición vertical para permitir que el agua salga de ellas.
4. **Conecte un protector para bombas de hidrolavadora a presión (vendido por separado) al puerto de entrada de agua para realizar tratamiento.**
5. **Utilice un protector para bombas de hidrolavadora a presión y dispense el líquido.** Una vez que el líquido salga por el puerto de salida de agua, la lavadora a presión estará protegida y preparada para el invierno.

RESOLUCIÓN DE PROBLEMAS

| PROBLEMA | CAUSA | SOLUCIÓN |
|--|--|--|
| La hidrolavadora a presión no se enciende. | <ul style="list-style-type: none"> La carga del paquete de batería es baja. | <ul style="list-style-type: none"> Cargue el paquete de batería. |
| | <ul style="list-style-type: none"> El paquete de batería no está instalado correctamente. | <ul style="list-style-type: none"> Deslice el paquete de batería hacia el interior del compartimiento de las baterías hasta que se acople a presión en la posición correcta. |
| La velocidad TURBO no se pudo activar. | <ul style="list-style-type: none"> Solo se utiliza un paquete de batería para operar la hidrolavadora. | <ul style="list-style-type: none"> Utilice dos paquetes de batería de 5,0 Ah o más Ah. |
| La bomba de la hidrolavadora a presión deja de funcionar y el indicador de velocidad ubicado en la hidrolavadora hace parpadear tres luces verdes. | <ul style="list-style-type: none"> La hidrolavadora a presión o el paquete de batería (los paquetes de batería) están a una temperatura excesiva. | <ul style="list-style-type: none"> Espere hasta que la hidrolavadora a presión o el paquete de batería (los paquetes de batería) regresen a la temperatura de funcionamiento y luego reorganice la hidrolavadora. |
| | <ul style="list-style-type: none"> La boquilla está bloqueada. | <ul style="list-style-type: none"> Utilice la aguja de limpieza de boquillas para pasar a través de los agujeros. |
| | <ul style="list-style-type: none"> No fluye agua hacia el interior de la manguera de sifón. | <ul style="list-style-type: none"> Compruebe y asegúrese de que el agua esté fluyendo adecuadamente hacia el interior de la manguera de sifón. |
| | <ul style="list-style-type: none"> La carga del paquete de batería es baja. | <ul style="list-style-type: none"> Cargue el paquete de batería. |
| | <ul style="list-style-type: none"> Otra falla (otras fallas) del sistema electrónico. | <ul style="list-style-type: none"> Contacte a servicio al cliente de EGO. |

| PROBLEMA | CAUSA | SOLUCIÓN |
|--|--|--|
| El flujo de agua es bajo durante el rociado. | <ul style="list-style-type: none"> El filtro está bloqueado parcialmente. | <ul style="list-style-type: none"> Limpie el filtro |
| | <ul style="list-style-type: none"> La malla metálica ubicada en el puerto de entrada de agua está parcialmente bloqueada. | <ul style="list-style-type: none"> Retire y limpie la malla metálica. |
| | <ul style="list-style-type: none"> El filtro y la junta del acoplador rápido de la manguera de sifón no están completamente sumergidos en agua. | <ul style="list-style-type: none"> Sumerja completamente el filtro y la junta del acoplador rápido en agua |
| | <ul style="list-style-type: none"> La manguera de sifón está plegada. | <ul style="list-style-type: none"> Despliegue la manguera de sifón o replácela. |
| | <ul style="list-style-type: none"> El agua está sucia. | <ul style="list-style-type: none"> Utilice solo agua limpia. |
| | <ul style="list-style-type: none"> La manguera de alta presión está bloqueada. | <ul style="list-style-type: none"> Retire la boquilla y comience a rociar agua con la manguera para despejar el bloqueo de la manguera. |
| No sale agua al rociar. | <ul style="list-style-type: none"> No hay suministro de agua. | <ul style="list-style-type: none"> Compruebe la hidrolavadora y asegúrese de que esté conectada adecuadamente al suministro de agua. |
| | <ul style="list-style-type: none"> El filtro está completamente bloqueado. | <ul style="list-style-type: none"> Limpie el filtro. |
| | <ul style="list-style-type: none"> La malla metálica ubicada en el puerto de entrada de agua está completamente bloqueada. | <ul style="list-style-type: none"> Retire y limpie la malla metálica. |
| | <ul style="list-style-type: none"> La boquilla está bloqueada. | <ul style="list-style-type: none"> Utilice la aguja de limpieza de boquillas para pasar a través de los agujeros. |
| | <ul style="list-style-type: none"> La bomba, las mangueras u otros componentes están congelados. | <ul style="list-style-type: none"> Espere hasta que se descongelen. |

| PROBLEMA | CAUSA | SOLUCIÓN |
|---|---|--|
| El flujo de agua no es estable. | <ul style="list-style-type: none"> Fluye aire al interior de la hidrolavadora | <ul style="list-style-type: none"> Compruebe la manguera de sifón y asegúrese de que esté conectada adecuadamente. |
| | <ul style="list-style-type: none"> Los sellos de la bomba están desgastados. | <ul style="list-style-type: none"> Contacte a servicio al cliente de EGO. |
| El rociado de agua se inicia o se detiene automáticamente | <ul style="list-style-type: none"> La manguera de alta presión está dañada. | <ul style="list-style-type: none"> Reemplácela por una manguera de alta presión nueva. |
| | <ul style="list-style-type: none"> Hay fugas de agua en la pistola. | <ul style="list-style-type: none"> Contacte a servicio al cliente de EGO. |
| | <ul style="list-style-type: none"> Los sellos de la bomba y los sellos de la manguera están desgastados. | |
| La pistola no puede controlar la hidrolavadora. | <ul style="list-style-type: none"> La posición de la pistola está más allá del alcance de la conexión inalámbrica. | <ul style="list-style-type: none"> Lleve la pistola más cerca de la hidrolavadora a presión. |
| | <ul style="list-style-type: none"> La carga de la batería de la batería tipo monea (tipo botón) es baja. | <ul style="list-style-type: none"> Reemplácela por una batería tipo moneda (tipo botón) nueva. |
| | <ul style="list-style-type: none"> La pistola no está emparejada correctamente. | <ul style="list-style-type: none"> Complete el emparejamiento siguiendo las instrucciones de la sección "Emparejamiento de la pistola de presión corta". |
| | <ul style="list-style-type: none"> La batería tipo moneda no está insertada correctamente. | <ul style="list-style-type: none"> Instale la batería tipo moneda siguiendo las instrucciones de la sección "REEMPLAZO DE LA BATERÍA TIPO MONEDA". |

GARANTÍA LIMITADA DE EGO

TÉRMINOS Y DURACIÓN DE LA PÓLIZA DE GARANTÍA

Chervon North America, Inc. (“Chervon North America”), proporciona la siguiente Garantía Limitada para los productos EGO al comprador original de productos EGO.

El período de garantía detallado de cada producto EGO se puede encontrar en línea en <http://egopowerplus.com/warranty-policy>.

Sírvase contactar a Servicio al Cliente de EGO llamando gratis al 1-855-EGO-5656 en cualquier momento en que tenga preguntas o reclamos de garantía, o si desea obtener una copia impresa de la garantía.

GARANTÍA LIMITADA DE SERVICIO

Los productos EGO están garantizados contra defectos de material o de fabricación a partir de la fecha de compra minorista original durante el período de garantía aplicable. Para cualquier reclamo de garantía presentado de manera adecuada y oportuna, si Chervon North America determina que un producto presenta algún defecto durante el período de garantía, dicho producto recibirá una reparación o un remplazo gratuitos, según lo determine Chervon North America.

CÓMO OBTENER SERVICIO

Para obtener servicio de garantía, dentro del período de garantía aplicable, sírvase contactar a servicio al cliente de EGO llamando gratis al **1-855-EGO-5656**. Cuando solicite servicio de garantía, deberá presentar el recibo de venta fechado original. Se seleccionará un centro de servicio autorizado para evaluar y reparar el producto si el mismo presenta algún defecto de acuerdo con los términos establecidos en la garantía. Cuando lleve su producto al centro de servicio autorizado, es posible que se requiera un pequeño depósito cuando deje allí su herramienta. Este depósito es reembolsable cuando se considere que el servicio de reparaciones esté cubierto bajo garantía.

LIMITACIONES Y EXCLUSIONES ADICIONALES

Esta garantía limitada se aplica solo al comprador original que realice la compra a un minorista EGO autorizado y no es transferible. Los productos EGO no serán considerados defectuosos, y esta garantía no se aplicará, en los casos en que el defecto por el que se presente el reclamo sea atribuible a cualquier causa que no sean los defectos definidos anteriormente en este documento. Esta garantía quedará anulada si el producto se ha utilizado para fines de alquiler. Esta garantía no se aplicará

a daños causados por accidente, abuso, uso incorrecto, alteración, modificación, reparación no autorizada, contacto con líquidos, incendio, terremoto u otra causa externa; utilización del producto sin seguir las instrucciones, especificaciones o pautas de EGO; o no hacer servicio de ajustes y reparaciones o no mantener adecuadamente el producto. Esta garantía tampoco se aplica a los daños cosméticos, incluyendo, pero sin limitarse a ello, rasguñaduras o abolladuras; defectos causados por el desgaste por el uso normal o defectos que de alguna otra manera se deban al envejecimiento normal del producto.

ESTA GARANTÍA EXPRESA SE DA EN LUGAR DE TODAS LAS DEMÁS GARANTÍAS, EXPRESAS O IMPLÍCITAS, INCLUYENDO, PERO SIN LIMITARSE A ELLO, TODAS LAS GARANTÍAS DE COMERCIABILIDAD O IDONEIDAD PARA UN PROPÓSITO O USO ESPECÍFICO, LAS CUALES QUEDAN EXCLUIDAS. Todas las garantías implícitas, incluyendo las garantías de comerciabilidad o idoneidad para un propósito específico, que no se puedan excluir bajo la ley estatal, están limitadas al período de garantía aplicable definido al comienzo de este artículo. El remedio único y exclusivo en conexión con la compra, instalación, uso y/o rendimiento de los productos EGO es la reparación o el reemplazo del producto tal y como lo determine Chervon North America. La responsabilidad máxima de North America no excederá en ningún caso el precio de compra pagado por el producto. CHERVON NORTH AMERICA NO SERÁ RESPONSABLE ANTE EL USUARIO NI ANTE NADIE MÁS POR DAÑOS EMERGENTES, INCIDENTALES, ESPECIALES, EJEMPLARES, INDIRECTOS O PUNITIVOS QUE SURJAN DEL USO DE LOS PRODUCTOS, INCLUYENDO, PERO SIN LIMITARSE A ELLO, LESIONES CORPORALES, MUERTE, DAÑOS MATERIALES, GANANCIAS PERDIDAS U OTROS PERJUICIOS ECONÓMICOS. Esta garantía le confiere a usted derechos legales específicos y es posible que usted tenga también otros derechos que varían de un estado a otro. Algunos estados no permiten limitaciones en cuanto a la duración de una garantía implícita, la exclusión o limitación de los daños incidentales o emergentes, o las limitaciones al tiempo para emprender ciertas acciones legales, por lo que las limitaciones contenidas en el presente documento no se aplican a los consumidores individuales de esos estados.

Esta garantía está sujeta a la ley de Michigan y se interpretará de acuerdo con dicha ley, con independencia de los principios sobre conflictos de leyes. No se emprenderá ninguna acción legal contra Chervon North America a menos que se presente dentro del plazo de un (1) año después de que se tenga conocimiento de la base de dicha acción legal o de la cual se debiera haber tenido conocimiento con el ejercicio de una diligencia razonable. Se considerará que se ha renunciado a cualquier acción legal que no se presente oportunamente.

Para obtener servicio al cliente, contáctenos llamando gratis al **1-855-EGO-5656** o en **EGOPOWERPLUS.COM**.

EGO Customer Service,
769 Seward Ave. NW, Suite 102,
Grand Rapids, Michigan 49504.

