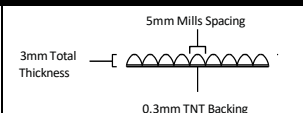
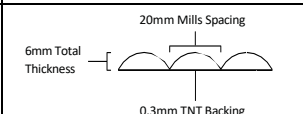

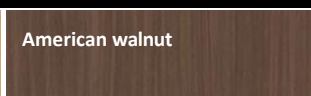


## Elegante Veneer Oak Costato - TNT

An incredible variety of finishes and design possibilities to create the perfect contemporary, unique and sought after ambiance.

Product	
Costato W3M5 <ul style="list-style-type: none"> <li>• HW230101T Oak</li> <li>• HW230102T Walnut</li> </ul>	
Costato W6M20 <ul style="list-style-type: none"> <li>• HW230601T Oak</li> <li>• HW230602T Walnut</li> </ul>	

Available Colors	
	

Specification	
Pattern	Ribbed
Species	Ayous (Triplachiton scleroxylon)
Finish	Unfinished
Profile	Planed all round
Edge Profile	Square Edge
Dimensions	3130 x 1220 mm

Pre-glued non-woven fabric TNT



Technical Criteria	
Origin	Europe
Janka Hardness Rating	430 lbf (1,910 N)
Formaldehyde Emission	E1 (EN 717-1)
Pentachlorophenol Emission	< 5ppm (CEN/TR 14823)
Group Number Classification	Group 3 (AS 5637.1-2015)

Please ask a member of staff for more details about our available colours

**Product Name/Pattern Key:**  
**V** - Veneer Thickness  
**M** - Mills Spacing

**INSTALLATION AND WARRANTY** All Havwoods floor must be installed by a competent installer who will have the necessary skills and take individual site circumstances into account. Havwoods warranty will apply only to products which have been installed by a competent flooring installer comparable to Australian or equivalent standards worldwide.

© This technical data sheet was written by Havwoods International. At the time of writing and publication of the sheet, all information is specified correctly. The company reserves the right to change the specifications of this product at any time without prior notice to third parties. The photographs used in the sheet are intended only as illustrations. No rights can be derived from them.



Havwoods Australia, 6 Spitfire Place,  
 Rutherford, NSW 2320  
 1300 428 966  
 info@havwoods.com.au  
[www.havwoods.com.au](http://www.havwoods.com.au)