

Hawk Enterprises Limited Warranty

Hawk Enterprises Inc. equipment has been manufactured, tested and inspected with carefully engineered requirements. Hawk warrants each new machine, part and accessory to be free of defects in materials and workmanship for a time specified in the table below. Repair or replacement of defective parts or service must be conducted by a Hawk authorized service provider.

Warranty Start Date: Warranty coverage starts on the date the machine is installed at the end user's site, or six months from the ship date from the factory, whichever comes first. The distributor who sold you the machine is responsible for completing the registration form at www.hawkenterprises.com/service_registration.

www.hawkenterprises.com/service_registration.

This form identifies the machine and records warranty state date.

Warranty Coverage - Hawk Air Movers

Motor and Gearbox - 1 year

Non-Wear Items - 6 months

Repair Parts - 90 days

Service Labor - 6 months

Exceptions and Exclusions from the Limited Warranty

This warranty does not cover repairs resulting from accident, abuse, misuse, damage in transit, or lack of proper maintenance. Equipment must be used with electric current noted on the data plate.

Damages from operation at other voltages or currents will void the warranty.

Certain normal wear parts are consumed in use of this machine, and are not covered by this warranty. These parts include, but are not limited to, cords, switches, bumpers, bearings, isolators, carbon motor brushes, compensators, brushes, pad drivers, bulbs, bags, v-belts and filters. No other warranties extend beyond the terms of this Hawk Limited Warranty, including implied warranty of merchantability or fitness of this machine for a particular use.

How to Set Up Warranty Repair

Equipment must be repaired by a Hawk approved service provider; the dealer who sold the new equipment or any Hawk distributor service department in the US. Repairs or alterations made by anyone other than the Hawk factory or a certified repair station, will void the warranty.

The distributor who sold you the machine is responsible for registration of the machine with the factory. With this registration, Hawk will have all of the records required for warranty claim, including records of ownership, date of delivery and resulting warranty dates and terms, distributor's location, machine model, type and serial number. To find the closest service provider, contact Hawk Customer Service at 1-574-294-1910 or customerservice@hawkenterprises.com. Warranty claims must be submitted within 30 days of service request.

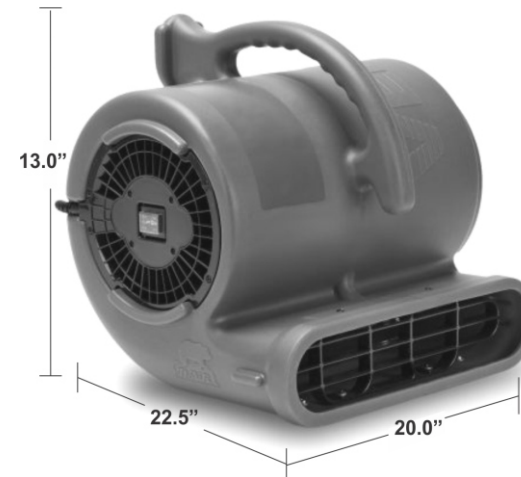
Replacement

In the event of a malfunction resulting in a warranty claim, Hawk, may at its sole option, replace the equipment or warranted part with another new part of equal quality instead of repairing that part.

No Refund of Purchase Price

Hawk will not, as a matter of this warranty agreement, refund the end user's purchase price.

2820 CFM Air Mover Orbital Floor Machine Dry Floors, Circulate and Exhaust Air



BVP50H with
Transport Wheels &
Telescoping Handle



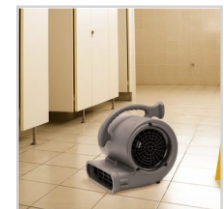
Store Up To
5 Stacked Units



BVP50H Adds Dual
Transport Wheels and
Telescoping Handle



Direct Airflow at 3
Angles 0°, 45° and 90°.



Quiet Janitorial Jobs
74 dB at High Speed

Specifications

| | |
|-----------------------------|--------------------------------------------------|
| Model | BVP50, BVP50H (with Telescoping Handle & Wheels) |
| Motor | 1/2 HP, 115V, 60Hz Sealed Motor |
| Air Volume | 2820 CFM (High Speed) / 2390 CFM (Low Speed) |
| Amp Draw | 4.5 Amp (High Speed) / 2.8 Amp (Low Speed) |
| Max Static Pressure | 2.5" |
| Air Flow Direction | 0, 45 and 90 degrees |
| Chassis Construction | Sturdy Rotomolded Plastic |
| Stackable | 5 units |
| Weight | 25 lbs. (net) / 28 lbs. (gross) |
| Size (LxWxH) | 22.5"x 20"x 13" |
| Attached Cord | 25 Ft. 16 AWG |
| Sound Level | 74 dB |
| Certification | C-ETL-US |

Subject to Change Without Notice


ATTENTION!

Read all safety rules carefully before attempting to operate the BVP50H. Please retain this manual for future reference.

NEVER operate this unit when flammable materials or vapors are present -- electrical devices produce arcs or sparks which may cause a fire or an explosion.

NEVER operate this unit unattended.


WARNING!

To reduce the risk of fire, electric shock or injury, follow the directions below:

- Use product only as described in this manual.
- To reduce the risk of electric shock, do not expose to rain, immerse in or use in standing water. Store indoors only.
- Use only with GFCI-protected outlets.
- When storing or transporting, do not stack air movers more than 5 units high.
- Electrical appliances can ignite flammable vapors or dust. Do not use near combustible liquids, gases or dusts.
- Do not leave plugged into outlet when not in use or when servicing. Turn off before unplugging.
- To reduce the risk of stirring up and inhaling toxic vapors, do not use near toxic or hazardous materials.
- Never operate with safety grills removed.
- This unit has an automatically-operated protective device which may shut down the unit during operation. Unplug before servicing or cleaning.
- Do not use an extension cord with this air mover.
- Do not use with solid state speed control device.
- Do not allow to be used as a toy. Close attention is necessary when used by or near children.
- Do not unplug by pulling on cord. To unplug, grasp the plug, not the cord.
- Do not use with damaged cord, plug or other parts.
- Call customer service if your air mover is not working as it should, has missing parts, has been dropped, damaged, left outdoors or dropped into water.
- Do not pull or carry by cord, use cord as handle, close a door on cord, or pull cord around sharp edges or corners. Keep cord away from heated surfaces.
- Do not run cord under carpeting. Do not cover cord with throw rugs, runners or


WARNING!

- To reduce the risk of electric shock, connect only to a GFCI protected outlet. Do not expose to water

CAUTION

- This air mover has an automatic motor shutoff device. It may restart without notice.
- To reduce the risk of injury, unplug before servicing.


WARNING!

- Do not use an extension cord with this fan. To reduce the risk of tip-over during storage or transport, stack up to 5 units high only.

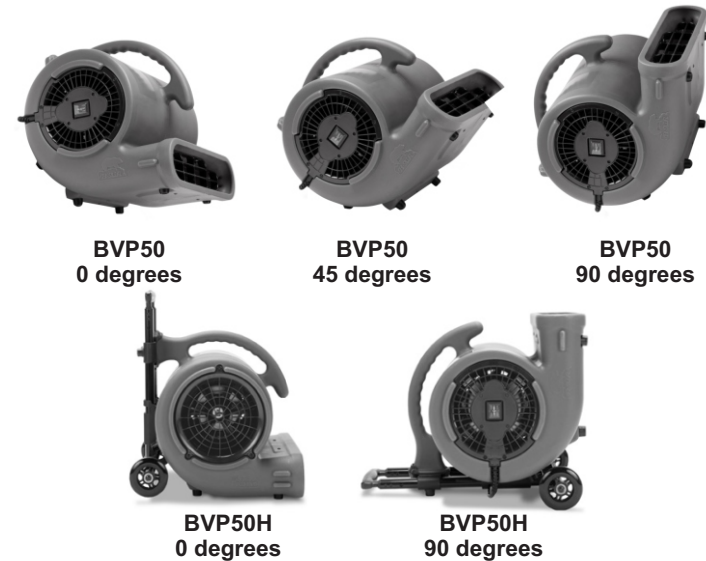
Unpacking & Checking Of Contents

Unpack your BVP50 carefully and inspect if all parts are intact. If any of the parts are missing damaged, please contact Hawk Customer Service at (574) 294-1910 or customer-service@hawkenterprises.com.

Operating Instructions

This BVP50 requires NO ASSEMBLY. The BVP50 is packaged and ready to be put to work. The BVP50H is intended to be used for drying carpet spills, drying surfaces such as bathroom floors, ventilating as well as circulating air.

1. Place the unit on the surface that needs to be dried.
2. Plug the unit into a grounded outlet .
3. Select the desired speed and position


Floors and Carpet Maintenance


WARNING: As with all electrical equipment, the unit must be disconnected from power before servicing or cleaning.

- Before each use, inspect the unit for damage, blocked inlets and exhaust and for foreign material buildup.
- When the BVP50 is turned on, inspect the unit for excessive vibration. In the event of excessive vibration or if the fan wheel rubs against the rotomolded housing, immediately turn off the unit and have a certified technician inspect the unit.



Cleaning

WARNING: To reduce the risk of injury from the air mover accidentally starting, unplug power cord before cleaning. The outside of the unit may be cleaned with a damp cloth to remove any dust or residue.



User Servicing Instructions

WARNING: Be sure to disconnect power supply before attempting to service or remove any components. Do not attempt to service your air mover beyond what is described in the user manual. For all other servicing, follow instructions in the Warranty section.

Lubrication

NO LUBRICATION IS NECESSARY. The motor is equipped with lifetime lubricated bearings.

Storage & Transportation

1. Before storing your air mover, it should be cleaned.
2. Wrap the power cord around the carry handle on top of the unit to keep it untangled.
3. If you have more than one unit, store units by stacking. Do not stack more than five units high.
4. Never operate unit while on its side or while stacked.
5. **THE BVP50 SHOULD BE STORED INDOORS.**



CAUTION:

Do not operate this air mover stacked on top of each other. Do not stack more than 5 units high for storage.

Servicing

In order to receive service or replacement parts under warranty, you must:

1. Call (574) 294-1910 for an RMA (Return Merchandise Authorization Number)
2. Have your proof of purchase ready.

Upon inspection, we will advise you of the repairs needed and the cost (if applicable). Hawk will issue repair or replacement parts depending on warranty.

Motor Specifications & Electrical Requirements

This BVP50 has a 2-speed, 115-volt, 60 Hz induction motor with a grounding conductor. Thermally protected, it will automatically shut down if overheated. The motor will restart automatically once cooled, for as long as it is plugged into a power source. In the event of a malfunction or breakdown, grounding provides a path of least resistance for electric current to reduce the risk of electric shock.

This air mover is equipped with an electric cord having an equipment grounding conductor and a grounding plug. The plug must be plugged into a matching outlet that is properly installed and grounded in accordance with all local codes and ordinances. Do not modify the plug provided. If it will not fit the outlet, have the proper outlet installed by a qualified electrician.

Power Cords

- Use three-pronged adapters that are UL and CE approved and with Ground Fault Circuit Interrupter (G.F.C.I.).
- Do not use cords that show any kind of wear or damage.
- Cords are not covered by warranty



WARNING! The Total amperage of the BVP50 Air Mover plus all other devices plugged into the receptacle must not exceed 12 amps.

Grounding Instructions

The BVP50 must be grounded. Should it malfunction or break down, grounding provides a path of least resistance for electric current and reduces the risk of electric shock. This appliance is equipped with a cord that has an equipment-grounding conductor and a grounding plug. The plug must be inserted into a properly installed and grounded outlet, in accordance with all local codes.



WARNING!

Improper connection of the equipment-grounding conductor can result in the risk of an electric shock.



**Use with 115V
3-Prong Grounded
Connection**

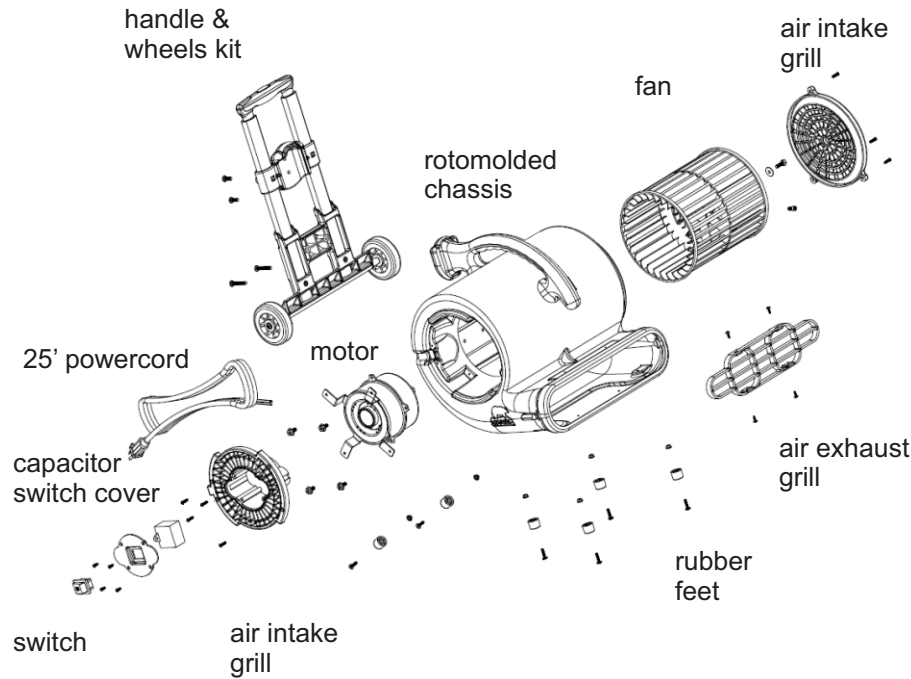


**DO NOT
Use with a 3-Prong to
2-Prong Adapter**

Check with a qualified electrician or service person if you are in doubt as to whether the outlet is properly grounded. Do not modify the plug provided with the appliance. If plug does not fit the outlet, have a proper outlet installed by a qualified electrician.

NOTE: In Canada, the use of a temporary adapter is not permitted by the Canadian Electrical Code

Construction & Parts



Troubleshooting

| Problem | Possible Cause | Solution |
|------------------------------------------|------------------------------------------------------------------|--------------------------------------------------------------------------|
| Unit Not Running | Switch is off | Turn on |
| | No power | Plug unit in; check circuit breaker |
| | Bad outlet | Check outlet, change to a different outlet |
| | Faulty Switch | Replace switch* |
| | Faulty or broken motor wire or cord | Use volt/amp meter to check continuity. Replace motor wire or cord* |
| Unit runs but makes loud, grating noises | Severe jolting causes blower wheel to rub against house | Remove and replace damaged motor or motor mounts* if needed |
| | Severe jolting deformed housing | Replace blower wheel or damaged housing* |
| Excessive vibration | Severe jolting caused motor shaft to bend unit is out of balance | Remove and replace motor* |
| | Damaged blower wheel blade | Remove blower wheel* |
| | Buildup of dirt on one side of blower wheel | Clean blower wheel blades |
| Blower wheel not turning | Blower wheel jammed against housing | Remove and replace damaged motor mounts* Replace blower wheel if needed* |
| | Broken/loose capacitor | Replace capacitor wire/motor if wheel; failed capacitor needed* |
| | Damaged housing is pressing on blower wheel | Replace housing/unit, if needed* |
| Unit runs but shuts off on overload | Failing motor bearings | Replace motor* |
| | Internal electrical fault in motor | |
| | Obstruction in intake grill or exhaust grill | Remove obstruction |