



Silentia+ Silentia

SALICE



Silentia+ Series 100

page 9



Silentia+ Series 200 for thicker doors

page 17



Silentia+ Series 300

page 29



Silentia+ Series 700

page 35



Silentia For metal profiles

page 49



Silentia Series 800

page 55



Silentia Series 900

page 61



Accessories

page 67



The state of the soft-close art.

Silentia+ allows a perfect and constant closing of the door in any condition, use and application.

The innovative soft-close technology guarantees excellent performances to the complete range of hinges. Silentia+ includes numerous technological elements in the required spaces and maintains the aesthetics of the hinges of the first generation.



Second generation

Integrated soft-close technology with two silicone oil dampers.

The two integrated dampers guarantee an exceptional regularity of the decelerating strength providing a perfect closing to any kind of door and condition.



Ever-optimal soft-close action

Silentia+ is also equipped with the innovative switch to delay the decelerating action. The activation of this switch allows, even to special doors, to obtain the ideal decelerating strength.



Silentia+ • Series 100



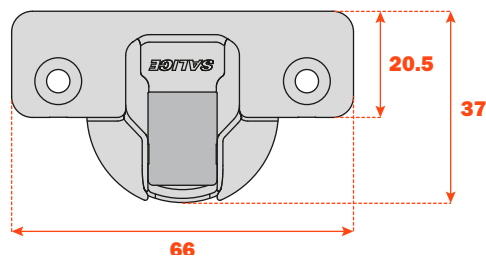
Hinges with adjustable integrated soft-close mechanism operated by twin silicone-oil dampers housed in the hinge cup.

The decelerating effect is adjusted by using a simple switch.

Bright nickel plated steel cup and arm.

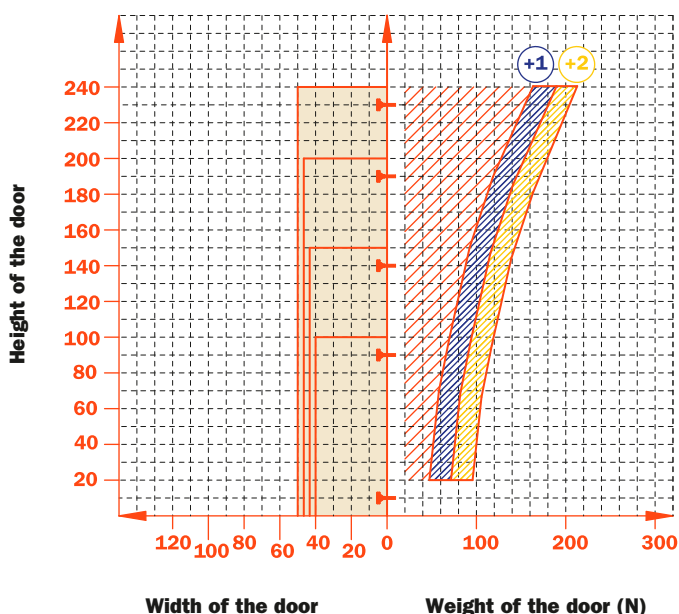
Dimensions of the Ø 35 mm cup.

Hinges for doors of small weight and thickness.



Constant "L" value of 1.3 mm (it does not change during side adjustment).

Approx. number of hinges required according to the door dimension and weight.



Adjustments

- Compensated side adjustment from -1.5 mm to +4.5 mm.
- Height adjustment ± 2 mm.
- Depth adjustment with Series 200 mounting plates +2.8 mm.
- Depth adjustment with Domi snap-on mounting plates from -0.5 mm to +2.8 mm.
- Anti-sliding safety stop.

Mounting plates

- Symmetrical and asymmetrical bright nickel plated steel or die-cast Series 200 mounting plates.
- Snap-on assembly on Domi mounting plates.
- Positioning with pre-determined stop on traditional Series 200 mounting plates.

N.B. : Use POZIDRIVE No. 2 screwdrivers for all screws.

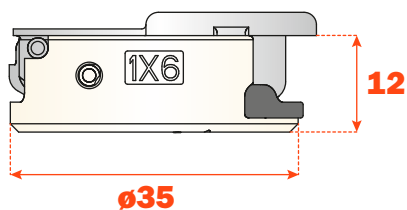
Wood screw	A	P	U
Rapido	6	7	2
Dowel	B	R	W
Logica	I	J	Q

Use this table to identify the available drillings and fixings.

Fill the third position of the hinge code number with the letter or the number corresponding to your choice. I.e.: C1_6AE9.



Fill this position with the chosen letter or number.



**105° opening
and complementary hinges**



Technical information

Hinges with adjustable integrated soft-close mechanism operated by twin silicone-oil dampers housed in the hinge cup. The decelerating effect is adjusted by using a simple switch.

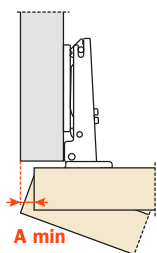
Hinges for doors of small weight and thickness. 12 mm deep cup.

105° opening.

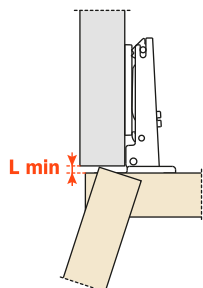
Possible drilling distance on the door (K): from 3 to 6 mm.

Compatible with all traditional Series 200 mounting plates and with all Domi snap-on mounting plates.

Space needed to open the door



	T=	15	16	17	18	19	20
K=3	A=	1.0	1.0	1.2	1.4	1.6	1.9
K=4	A=	0.9	1.0	1.2	1.3	1.5	1.8
K=5	A=	0.9	1.0	1.1	1.2	1.5	1.8
K=6	A=	0.9	1.0	1.1	1.2	1.4	1.7

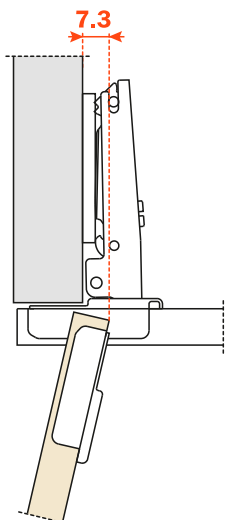


	T=	15	16	17	18	19	20
K=3	L=	0.0	0.0	0.0	0.0	0.1	0.3
K=4	L=	0.4	0.6	0.7	0.9	1.1	1.2
K=5	L=	1.0	1.0	1.2	1.8	2.0	2.0
K=6	L=	1.6	1.8	2.0	2.1	2.3	2.5

The above values are calculated on the assumption that the doors have square edges. They are reduced if the doors have radiused edges.

Projection of the door

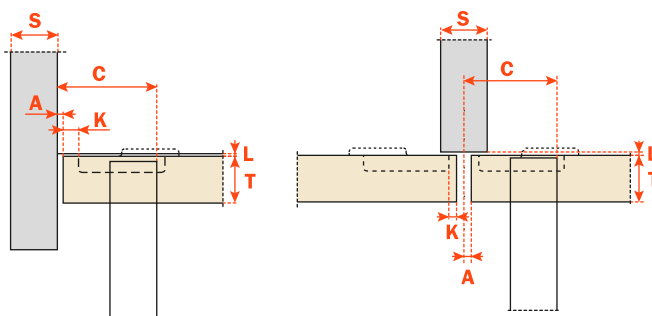
Projection of the door from the cabinet side at the max. opening. The figures are based on a straight arm hinge, H=0 mm thickness of mounting plate and K value = 3 mm.



“C” value

With this formula you can obtain the max. thickness of the moulded door that can be opened without touching adjacent carcass sides, doors or walls, whilst bearing in mind the above L · K · T values.

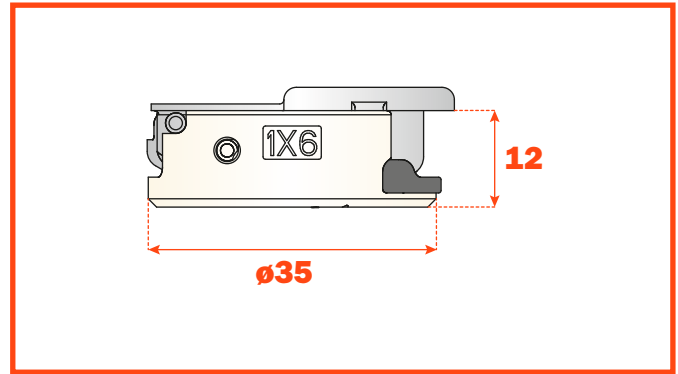
$$C = 20.5 + K + A$$



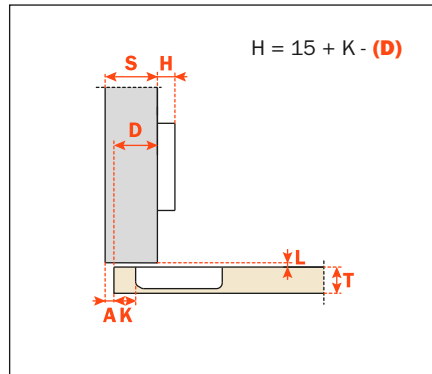
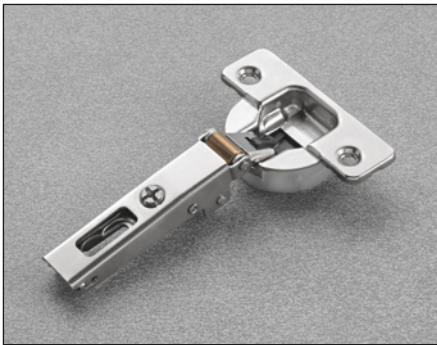
Packing • Boxes 300 pcs. • Pallets 7.200 pcs.
Logoica Packing • Boxes 150 pcs. • Pallets 3.600 pcs.

Use these formulas to determine the type of hinge arm, the drilling distance "K" and the height of the mounting plate "H" which is necessary to solve each application problem.

Use the tables "Drillings and fixings" at page 11 to complete the code number of the desired hinge.

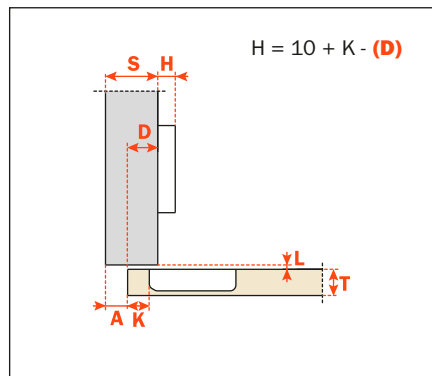


Arm 0



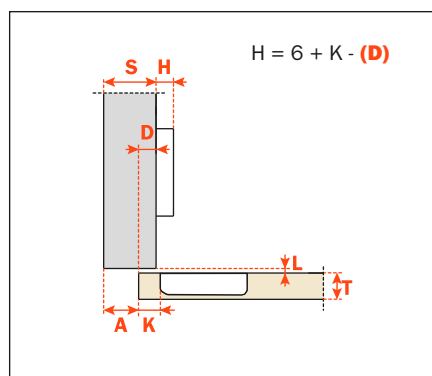
C1_6AE9

Arm 5



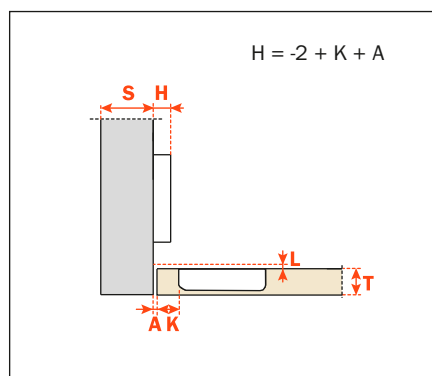
C1_6DE9

Arm 9

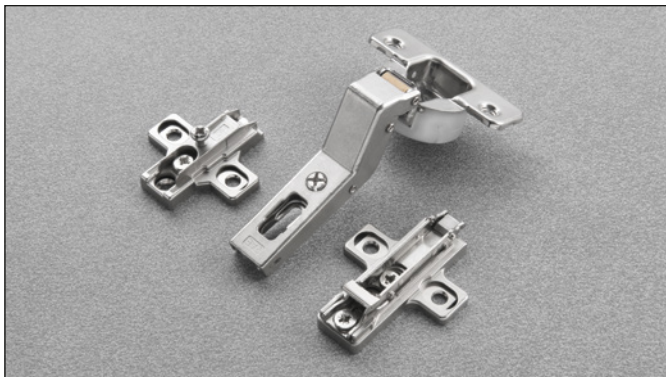


C1_6GE9

Arm 17



C1_6PE9



Technical Information

Hinges with adjustable integrated soft-close mechanism operated by twin silicone-oil dampers housed in the hinge cup. The decelerating effect is adjusted by using a simple switch.

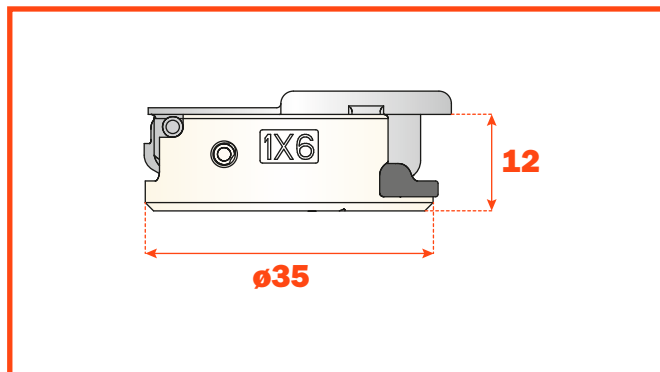
For wooden doors with positive angled assembly. Hinges for doors of small weight and thickness. 12 mm deep cup.

105° opening.
Possible drilling distance on the door (K): from 3 to 6 mm.
Compatible with all traditional Series 200 mounting plates and with all Domi snap-on mounting plates.

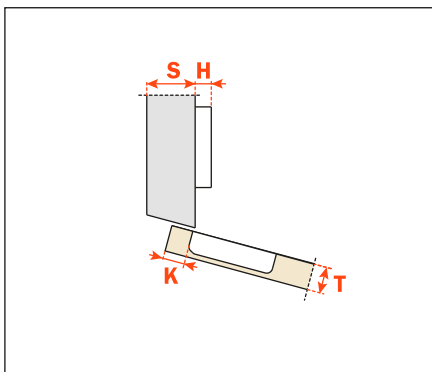
Packing • Boxes 150 pcs. • Pallets 3.600 pcs.

The solution of assembly problems where doors are mounted at a positive angle requires the verification of drilling distances by a practical trial. Please do not hesitate to consult our technical support department for assistance.

Use the tables "Drillings and fixings" at page 11 to complete the code number of the desired hinge.

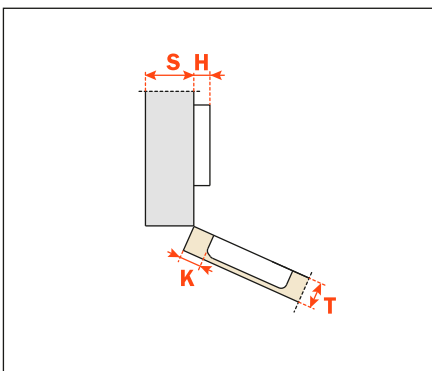


Arm 15°



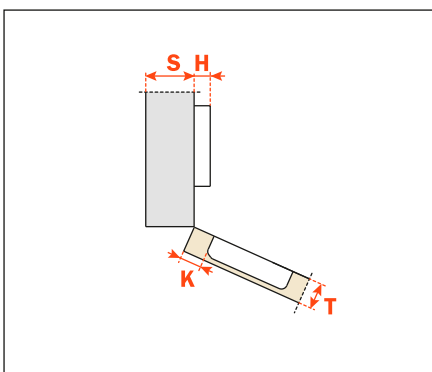
C1_6ZE9

Arm 24°



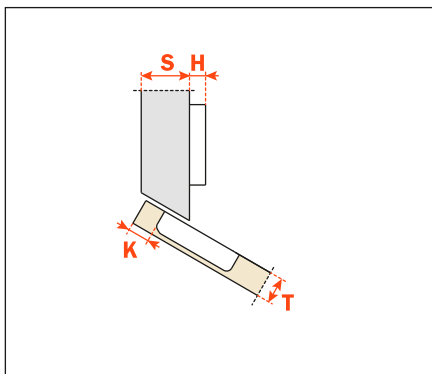
C1_6UE9

Arm 30°



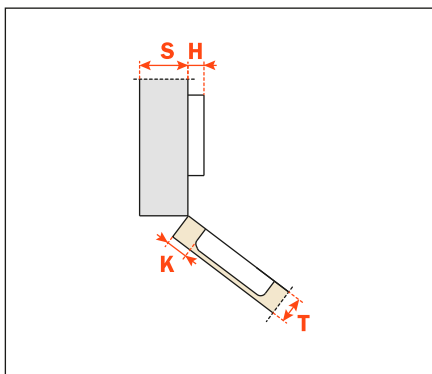
C1_6EE9

Arm 30°



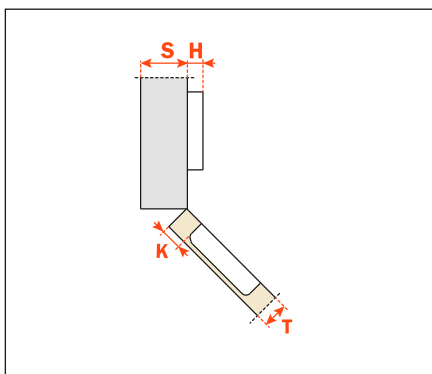
C1_6TE9

Arm 37°



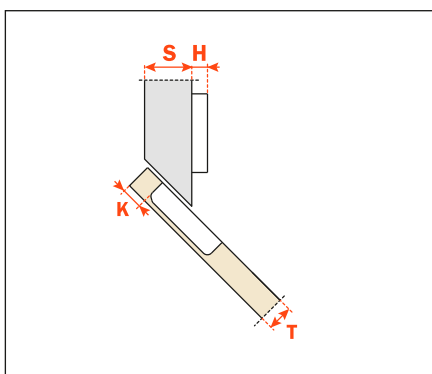
C1_6KE9

Arm 45°



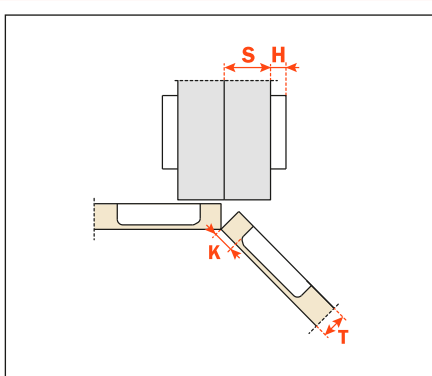
C1_6ME9

Arm 45°

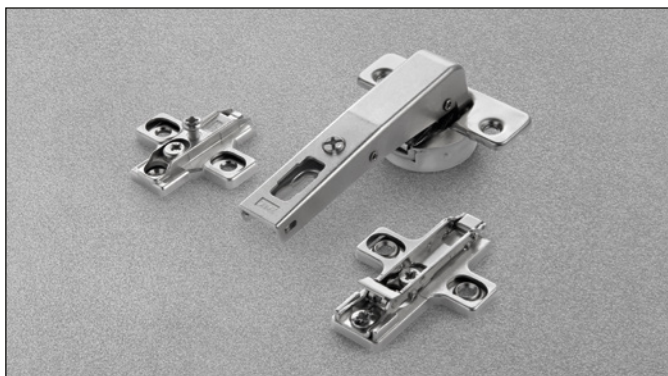


C1_6VE9

Arm 45°



C1_6ME9AC



Technical Information

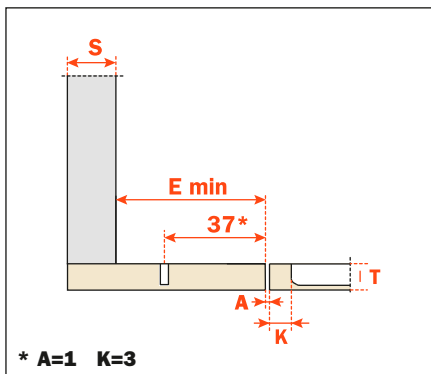
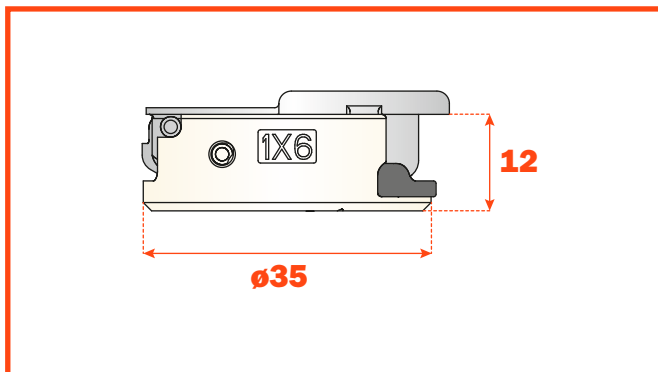
Hinges with adjustable integrated soft-close mechanism operated by twin silicone-oil dampers housed in the hinge cup. The decelerating effect is adjusted by using a simple switch.

Crampon hinges. For cabinet sides with 37x32 standard drilling. Hinges for doors of small weight and thickness. 12 mm deep cup.

105° opening.
Possible drilling distance on the door (K): from 3 to 6 mm.
Compatible with all traditional Series 200 mounting plates and with all Domi snap-on mounting plates.

Packing • Boxes 150 pcs. • Pallets 3.600 pcs.

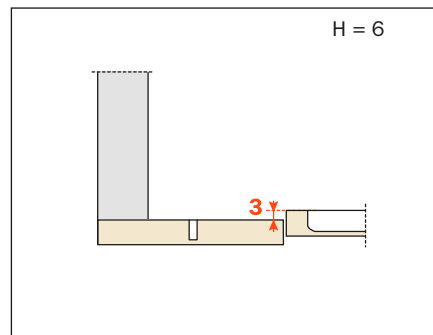
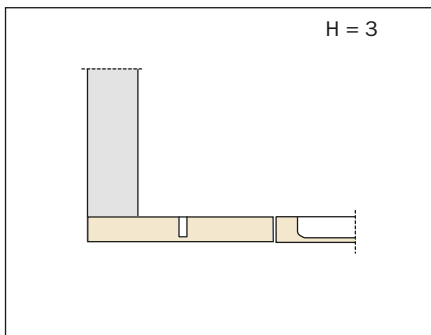
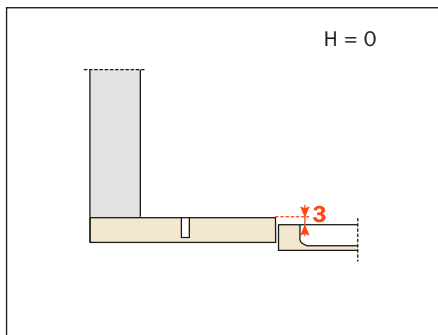
Use the tables "Drillings and fixings" at page 11 to complete the code number of the desired hinge.



C1_6NE9AC

E min:
 • 61 mm for Series 200 mounting plates.
 • 70 mm for Domi snap-on mounting plates.
 • 74 mm for Domi snap-on mounting plates with back cam.

Heights of mounting plates for every assembly.



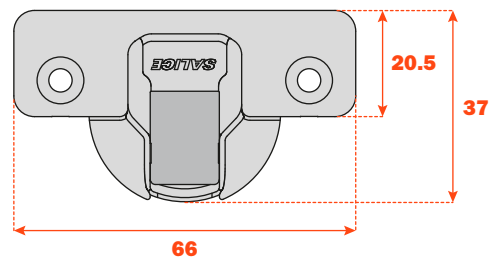
Silentia+ • **Series 200 for thicker doors**



Hinges with adjustable integrated soft-close mechanism operated by twin silicone-oil dampers housed in the hinge cup.

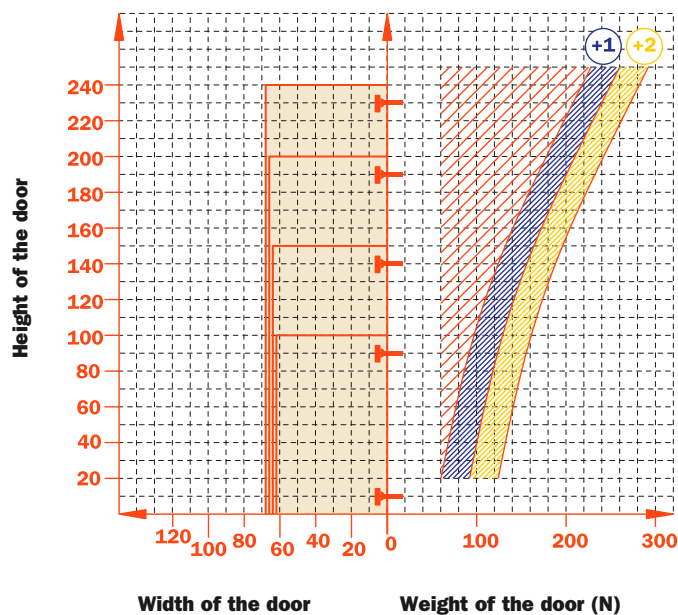
The decelerating effect is adjusted by using a simple switch.

Bright nickel plated steel cup and arm.
Dimensions of the Ø 35 mm cup.



Constant "L" value of 1.3 mm (it does not change during side adjustment).

Approx. number of hinges required according to the door dimension and weight.



Adjustments

Compensating side adjustment from -1.5 mm to +4.5 mm.
Height adjustment ±2 mm.
Depth adjustment with Series 200 mounting plates +2.8 mm.
Depth adjustment with Domi snap-on mounting plates from -0.5 mm to +2.8 mm.
Anti-sliding safety stop.

Mounting plates

Symmetrical and asymmetrical bright nickel plated steel or die-cast Series 200 mounting plates.
Snap-on assembly on Domi mounting plates.
Positioning with pre-determined stop on traditional Series 200 mounting plates.

N.B. : Use POZIDRIVE No. 2 screwdrivers for all screws.

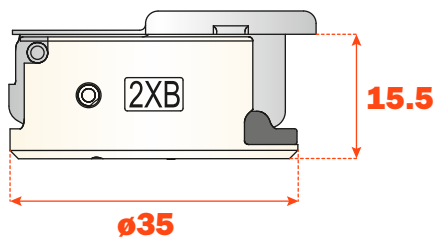
		94°	155°		
Wood screw	A	A	P	P	U
		94°	155°		
Rapido	6	6	7	7	2
Dowel	B	B	R	R	W
Logica	I	I	J	J	Q

Use this table to identify the available drillings and fixings.

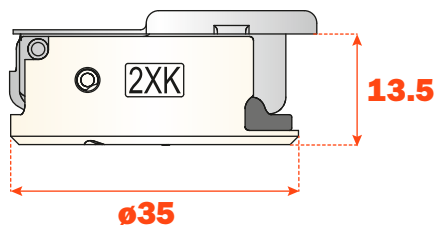
Fill the third position of the hinge code number with the letter or the number corresponding to your choice. I.e.: C2_BAE9.



Fill this position with the chosen letter or number.



94° opening and complementary hinges



155° opening



Technical information

Hinges with adjustable integrated soft-close mechanism operated by twin silicone-oil dampers housed in the hinge cup. The decelerating effect is adjusted by using a simple switch.

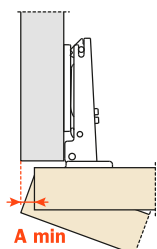
Hinges for min. 18 mm thick doors. 15.5 mm deep cup.

94° opening.

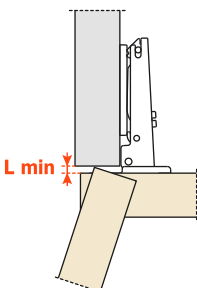
Possible drilling distance on the door (K): from 3 to 9 mm.

Compatible with all traditional Series 200 mounting plates and with all Domi snap-on mounting plates.

Space needed to open the door



T=		19	20	21	22	23	24	25	26	27	28	29	30	31	32	33	34	35
K=3	A=	0.1	0.2	0.3	0.4	0.5	0.7	0.8	1.0	1.6	2.6	3.5	4.5	5.4	6.4	7.4	8.3	9.3
K=4	A=	0.1	0.2	0.3	0.4	0.5	0.7	0.8	1.0	1.2	1.9	2.8	3.8	4.7	5.7	6.6	7.6	8.6
K=5	A=	0.1	0.2	0.3	0.4	0.5	0.7	0.8	1.0	1.2	1.4	2.2	3.1	4.1	5.0	5.9	6.9	7.8
K=6	A=	0.1	0.2	0.3	0.4	0.5	0.6	0.8	1.0	1.2	1.4	1.7	2.6	3.5	4.4	5.3	6.2	7.2
K=7	A=	0.1	0.2	0.3	0.4	0.5	0.6	0.8	1.0	1.1	1.3	1.6	2.1	3.0	3.8	4.7	5.6	6.5
K=8	A=	0.1	0.2	0.3	0.4	0.5	0.6	0.8	0.9	1.1	1.3	1.6	1.8	2.5	3.3	4.2	5.1	6.0
k=9	A=	0.1	0.2	0.3	0.4	0.5	0.6	0.8	0.9	1.1	1.3	1.5	1.8	2.1	2.9	3.7	4.6	5.4



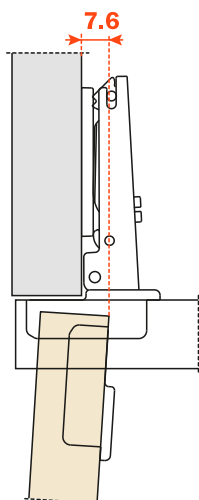
K	3	4	5	6	7	8	9
L=	0.0	0.0	0.0	0.0	0.0	0.3	1.3

The above values are calculated on the assumption that the doors have square edges. They are reduced if the doors have radiused edges.

Projection of the door

Projection of the door from the cabinet side at the max. opening.

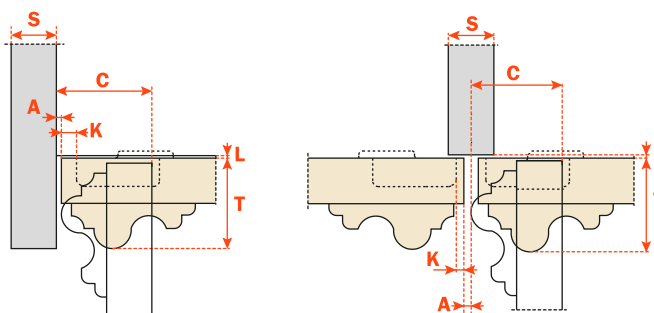
The figures are based on a straight arm hinge, H=0 mm thickness of mounting plate and K value = 3 mm.



“C” value

With this formula you can obtain the max. thickness of the moulded door that can be opened without touching adjacent carcass sides, doors or walls, whilst bearing in mind the above L · K · T values.

$$C = 23 + K + A$$

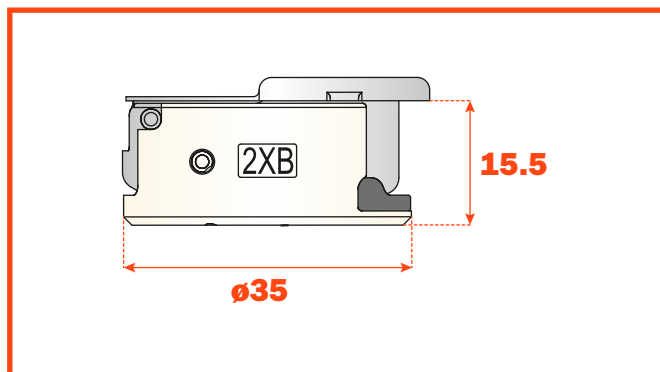


Packing • Boxes 300 pcs. • Pallets 7.200 pcs.

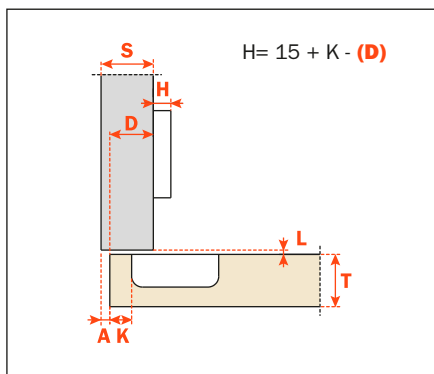
Logica Packing • Boxes 150 pcs. • Pallets 3.600 pcs.

Use these formulas to determine the type of hinge arm, the drilling distance "K" and the height of the mounting plate "H" which is necessary to solve each application problem.

Use the tables "Drillings and fixings" at page 19 to complete the code number of the desired hinge.

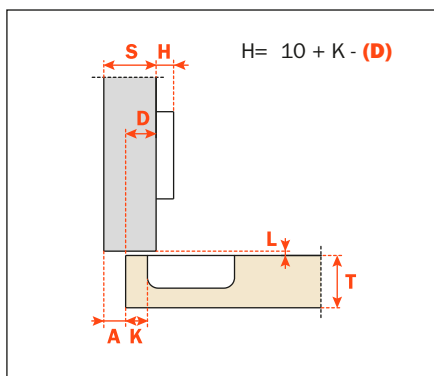


Arm 0



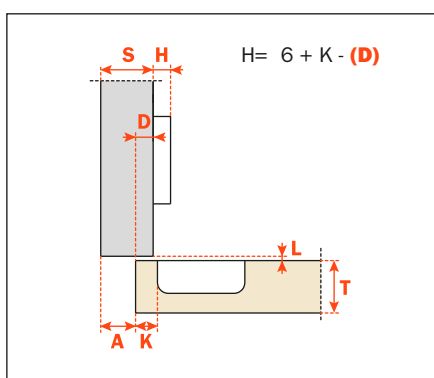
C2_BAE9

Arm 5



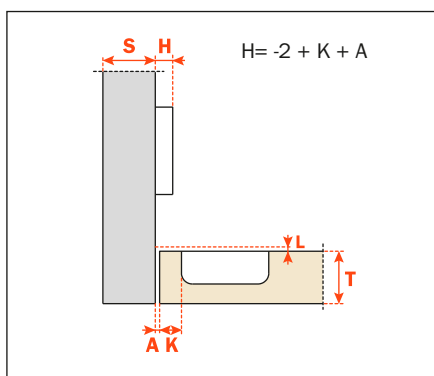
C2_BDE9

Arm 9

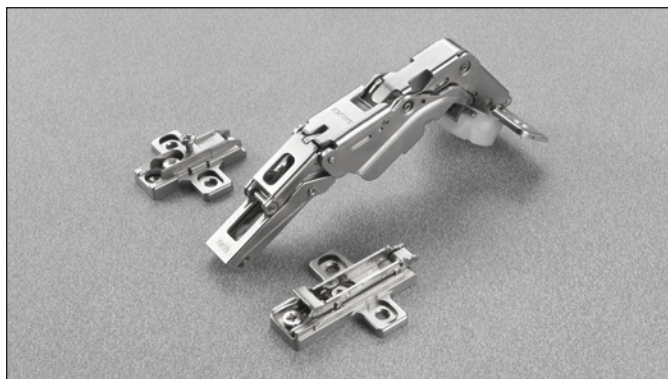


C2_BGE9

Arm 17



C2_BPE9



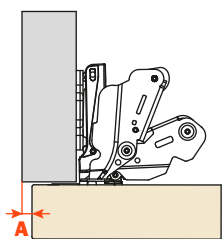
Technical information

Hinges with integrated soft-close mechanism operated by twin silicone-oil dampers housed in the hinge cup.

Hinges for thick doors 16 mm min.
Hinge with greater opening angle and reduced operating profile 13.5 mm deep cup.

155° opening.
Possible drilling distance on the door (K): from 3 to 8 mm.
Compatible with all traditional Series 200 mounting plates and with all Domi snap-on mounting plates.

Space needed to open the door



	T=	16	18	20	22	24	25	26	27	28
K=3	A=	0.0	0.0	0.0	0.0	0.0	0.10	0.40	0.75	1.20
K=4	A=	0.0	0.0	0.0	0.0	0.0	0.15	0.45	0.85	1.35
K=5	A=	0.0	0.0	0.0	0.0	0.0	0.20	0.50	0.95	120° 1.70
K=6	A=	0.0	0.0	0.0	0.0	0.0	0.25	0.60	1.10	120° 1.95
K=7	A=	0.0	0.0	0.0	0.0	0.0	0.30	0.70	1.30	92° 2.30
K=8	A=	0.0	0.0	0.0	0.0	0.0	0.35	0.85	120° 1.70	92° 2.80
K=9	A=	0.0	0.0	0.0	0.0	0.15	0.55	1.20	92° 2.15	

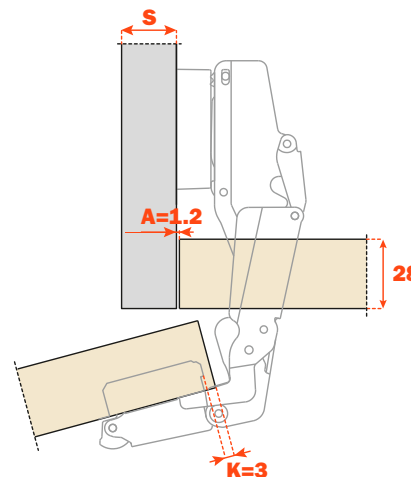
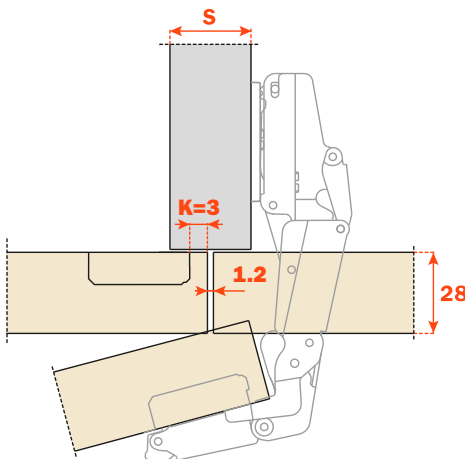
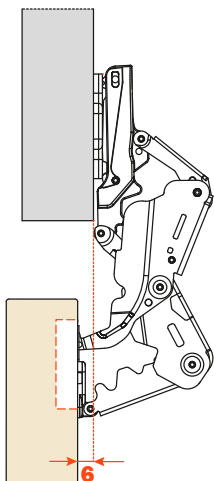
With opening stop device to 92° art. S2BM37XG
With opening stop device to 120° art. S2AM37XG

The above values are calculated on the assumption that the doors have square edges. They are reduced if the doors have radiussed edges.

Spaces with removable components.

“C” value

The door combined with a mounting plate H=0 and a straight arm hinge opens at 90° with lateral door protrusion of 6 mm.

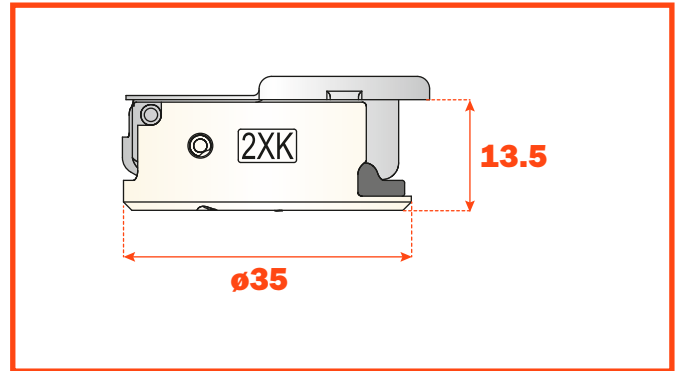


Packing • Boxes 100 pcs. • Pallets 2.400 pcs.

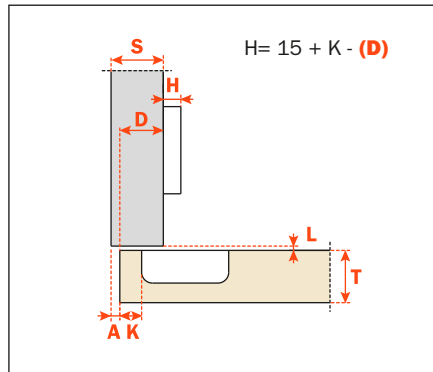
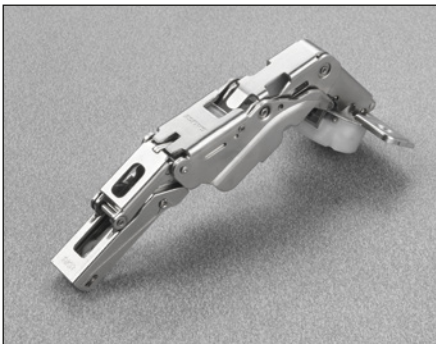
Use these formulas to determine the type of hinge arm, the drilling distance "K" and the height of the mounting plate "H" which is necessary to solve each application problem.

To limit the opening of the hinge, see page 67 chapter "Accessories".

Use the tables "Drillings and fixings" at page 19 to complete the code number of the desired hinge.

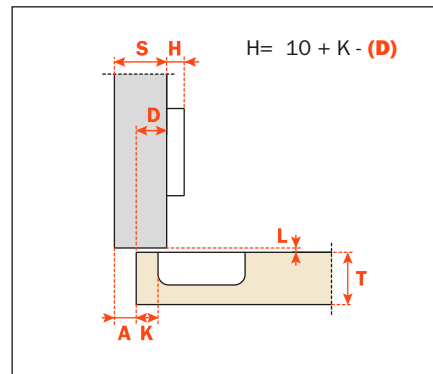


Arm 0



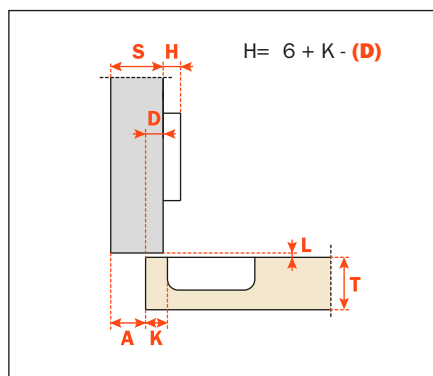
C2_KAE9

Arm 5

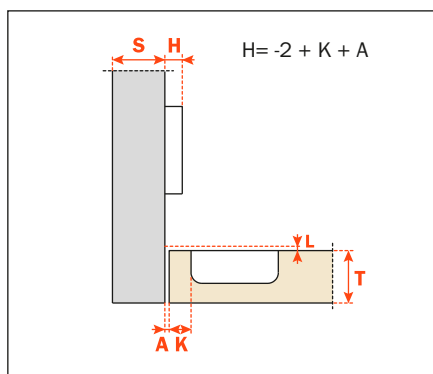


C2_KDE9

Arm 9



C2_KGE9



C2_KPE9



Technical information

Hinges with adjustable integrated soft-close mechanism operated by twin silicone-oil dampers housed in the hinge cup. The decelerating effect is adjusted by using a simple switch.

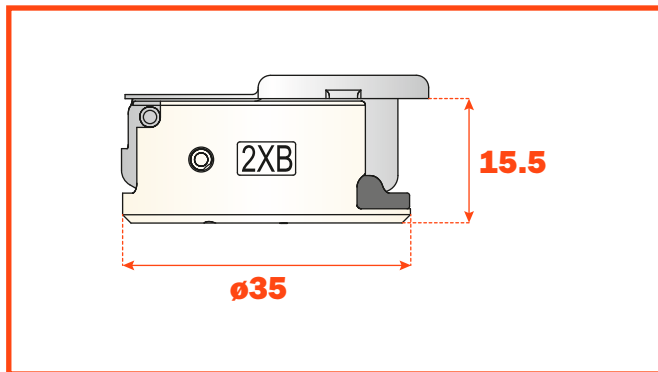
For wooden doors with positive angled assembly.
Hinges for min. 18 mm thick doors.
15.5 mm deep cup.

94° opening.
Possible drilling distance on the door (K): from 3 to 9 mm.
Compatible with all traditional Series 200 mounting plates and with all Domi snap-on mounting plates.

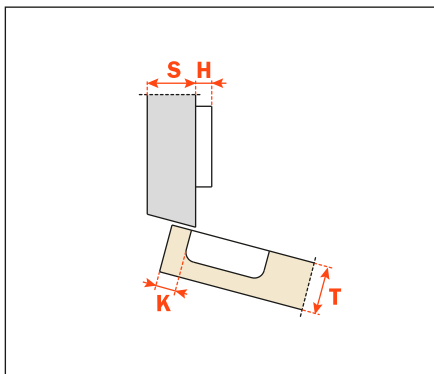
Packing • Boxes 150 pcs. • Pallets 3.600 pcs.

The solution of assembly problems where doors are mounted at a positive angle requires the verification of drilling distances by a practical trial. Please do not hesitate to consult our technical support department for assistance.

Use the tables “Drillings and fixings” at page 19 to complete the code number of the desired hinge.

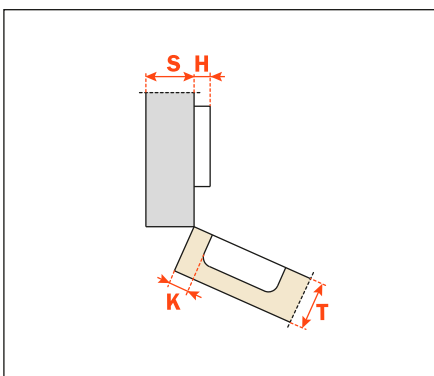


Arm 15°



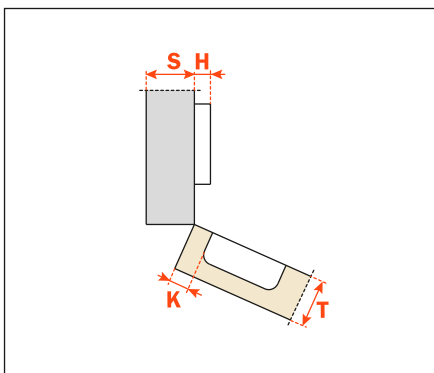
C2_BZE9

Arm 24°



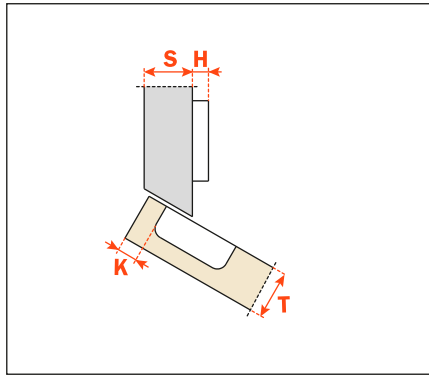
C2_BUE9

Arm 30°



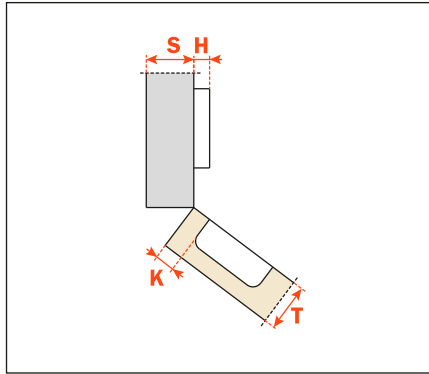
C2_BEE9

Arm 30°



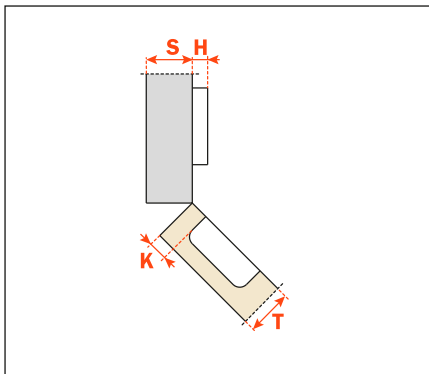
C2_BTE9

Arm 37°



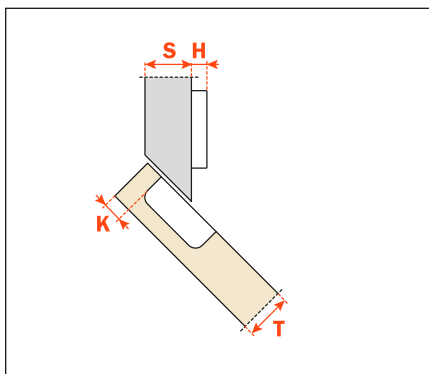
C2_BKE9

Arm 45°



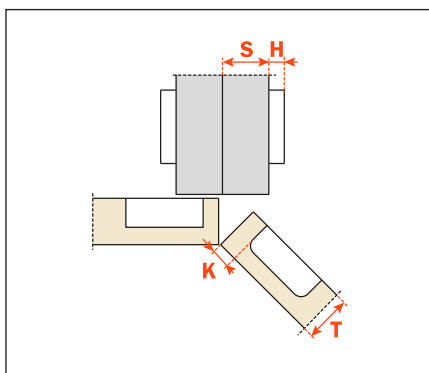
C2_BME9

Arm 45°

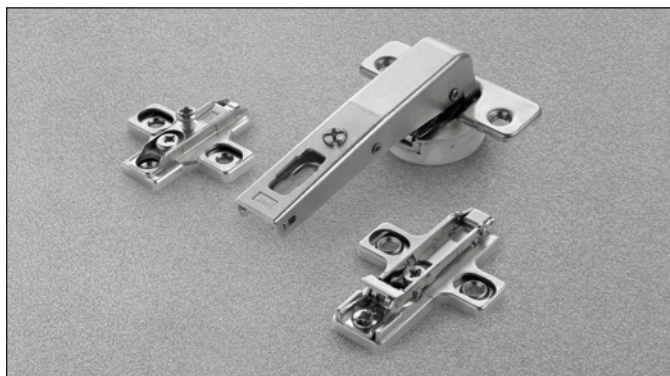


C2_BVE9

Arm 45°



C2_BME9AC



Technical information

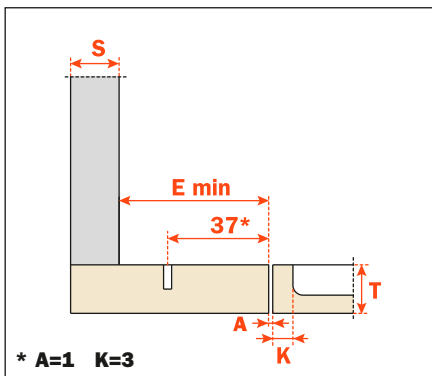
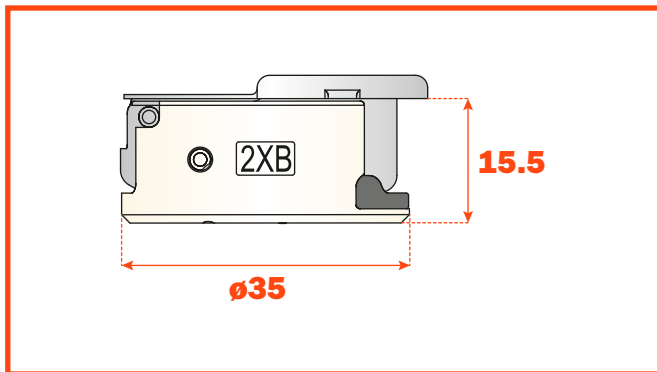
Hinges with adjustable integrated soft-close mechanism operated by twin silicone-oil dampers housed in the hinge cup. The decelerating effect is adjusted by using a simple switch.

Crampon hinges.
For cabinet sides with 37x32 mm standard drilling.
Hinges for min. 18 mm thick doors.
15.5 mm deep cup.

94° opening.
 Possible drilling distance on the door (K): from 3 to 9 m.
 Compatible with all traditional Series 200 mounting plates and with all Domi snap-on mounting plates.

Packing • Boxes 150 pcs. • Pallets 3.600 pcs.

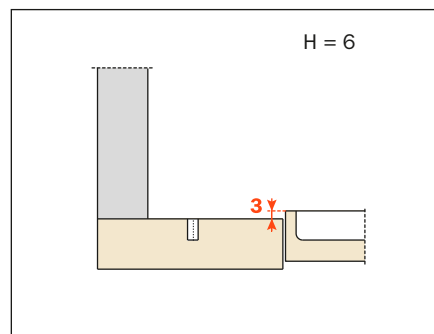
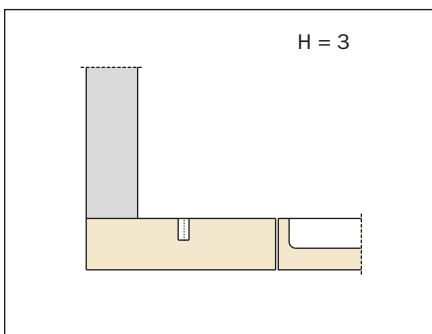
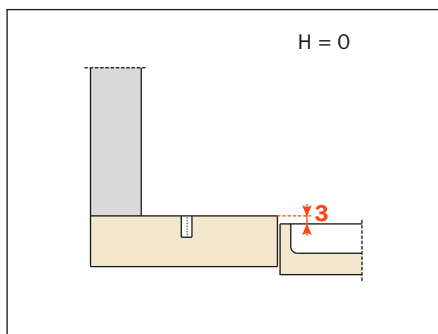
Use the tables “Drillings and fixings” at page 19 to complete the code number of the desired hinge.

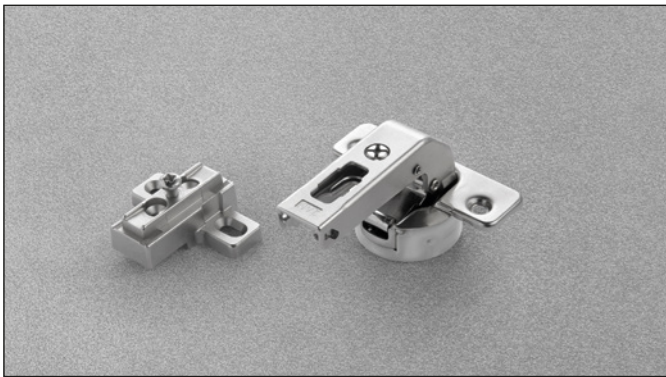


C2_BNE9AC

E min:
 • 61 mm for Series 200 mounting plates.
 • 70 mm for Domi snap-on mounting plates.
 • 74 mm for Domi snap-on mounting plates with back cam.

Heights of mounting plates for every assembly.





Technical information

Hinges with adjustable integrated soft-close mechanism operated by twin silicone-oil dampers housed in the hinge cup. The decelerating effect is adjusted by using a simple switch.

Crampon hinges. For smaller spaces with 15x32 mm drilling. Hinges for min. 18 mm thick doors. 15.5 mm deep cup.

94° opening.

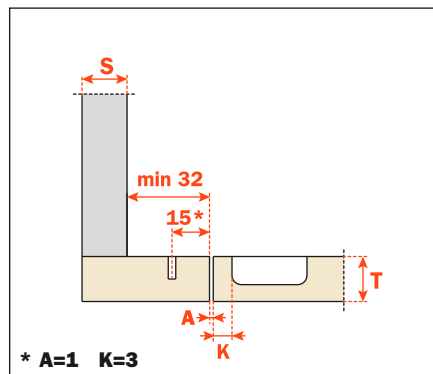
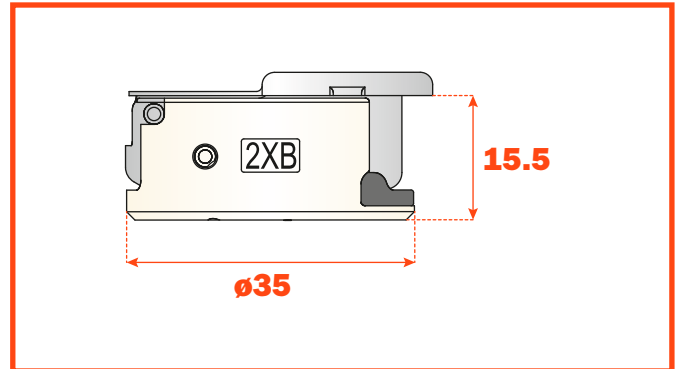
Possible drilling distance on the door (K): from 3 to 9 mm.

Compatible with all traditional Series 200 mounting plates, 28x32 mm drilling.

NOT COMPATIBLE with Domi snap-on mounting plates.

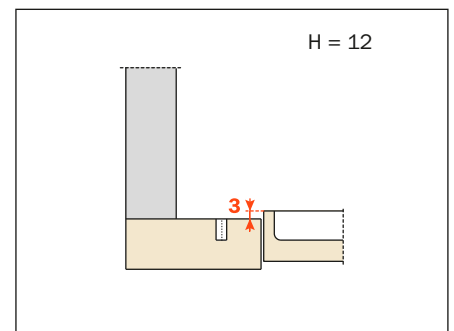
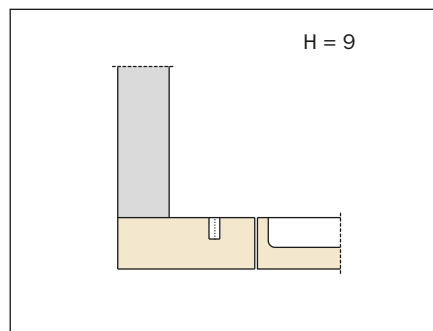
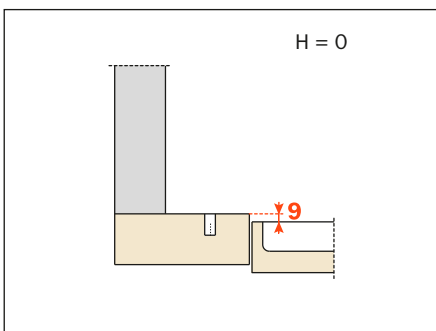
Packing • Boxes 150 pcs. • Pallets 3.600 pcs.

Use the tables "Drillings and fixings" at page 19 to complete the code number of the desired hinge.



C2_BNE9

Heights of mounting plates for every assembly.



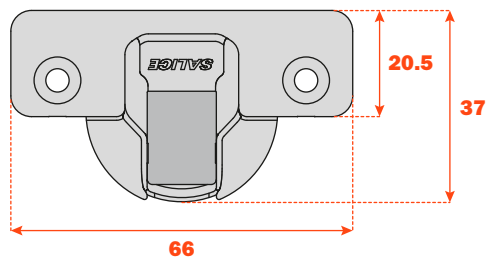
Silentia+ • Series 300



Hinges with adjustable integrated soft-close mechanism operated by twin silicone-oil dampers housed in the hinge cup.

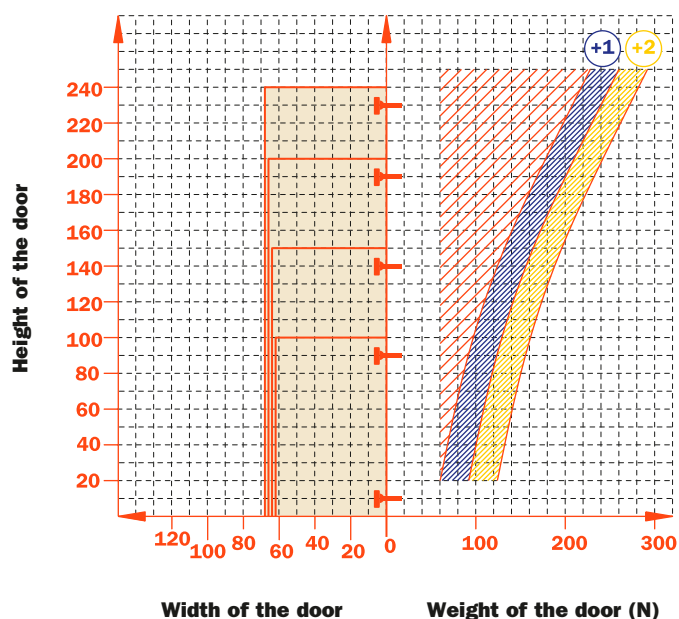
The decelerating effect is adjusted by using a simple switch.

Bright nickel plated steel cup and arm.
Dimensions of the Ø 35 mm cup.



Constant "L" value of 1.3 mm (it does not change during side adjustment).

Approx. number of hinges required according to the door dimension and weight.



Adjustments

Compensating side adjustment from -1.5 mm to +3 mm.
Height adjustment ± 1.5 mm by cam.
Depth adjustment with Series 300 mounting plates +2.8 mm.
Anti-sliding safety stop.

Mounting plates

Asymmetrical bright nickel plated die-cast Series 300 mounting plates.
Positioning with pre-determined stop.

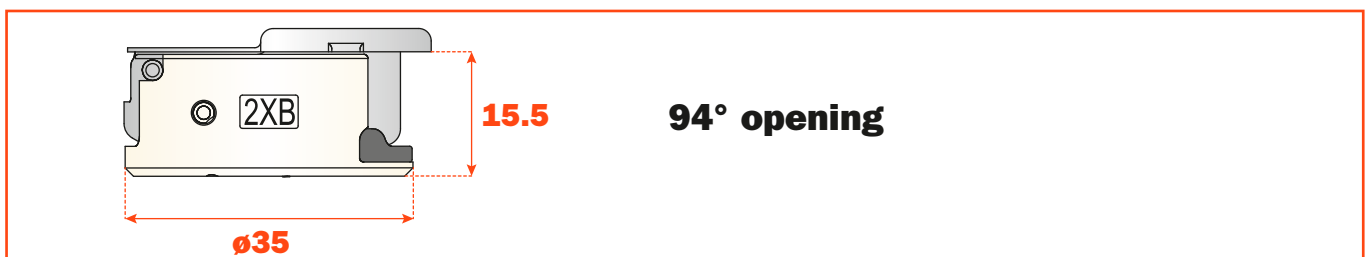
N.B. : Use POZIDRIVE No. 2 screwdrivers for all screws.

	<p>48 $\varnothing 35$ 6 94°</p>	<p>45 $\varnothing 35$ 9.5 94°</p>	<p>52 $\varnothing 35$ 5.5 94°</p>
<p>Wood screw</p>	A	P	U
	<p>48 $\varnothing 35$ $\varnothing 10$ 6 94°</p>	<p>45 $\varnothing 35$ $\varnothing 8$ 9.5 94°</p>	<p>52 $\varnothing 35$ $\varnothing 10$ 5.5 94°</p>
<p>Dowel</p>	B	R	W

Use this table to identify the available drillings and fixings.

Fill the third position of the hinge code number with the letter or the number corresponding to your choice. I.e.: C3_BAE9.

↑
Fill this position with the chosen letter or number.





Technical information

Hinges with adjustable integrated soft-close mechanism operated by twin silicone-oil dampers housed in the hinge cup.

The decelerating effect is adjusted by using a simple switch.

Hinges for min. 18 mm thick doors. 15.5 mm deep cup.

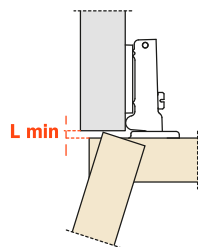
94° opening.

Possible drilling distance on the door (K): from 3 to 9 mm.

Compatible with all traditional Series 300 mounting plates.

Space needed to open the door

	T=	19	20	21	22	23	24	25	26	27	28	29	30	31	32	33	34	35
	K=3	A= 0.1	0.2	0.3	0.4	0.5	0.7	0.8	1.0	1.6	2.6	3.5	4.5	5.4	6.4	7.4	8.3	9.3
	K=4	A= 0.1	0.2	0.3	0.4	0.5	0.7	0.8	1.0	1.2	1.9	2.8	3.8	4.7	5.7	6.6	7.6	8.6
	K=5	A= 0.1	0.2	0.3	0.4	0.5	0.7	0.8	1.0	1.2	1.4	2.2	3.1	4.1	5.0	5.9	6.9	7.8
	K=6	A= 0.1	0.2	0.3	0.4	0.5	0.6	0.8	1.0	1.2	1.4	1.7	2.6	3.5	4.4	5.3	6.2	7.2
	K=7	A= 0.1	0.2	0.3	0.4	0.5	0.6	0.8	1.0	1.1	1.3	1.6	2.1	3.0	3.8	4.7	5.6	6.5
	K=8	A= 0.1	0.2	0.3	0.4	0.5	0.6	0.8	0.9	1.1	1.3	1.6	1.8	2.5	3.3	4.2	5.1	6.0
	K=9	A= 0.1	0.2	0.3	0.4	0.5	0.6	0.8	0.9	1.1	1.3	1.5	1.8	2.1	2.9	3.7	4.6	5.4

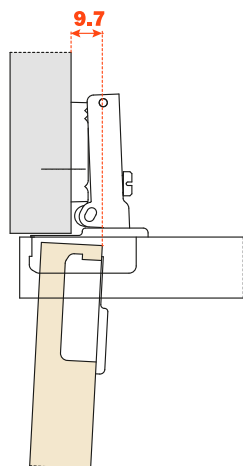


K=	3	4	5	6	7	8	9
L=	0.0	0.0	0.0	0.0	0.0	0.3	1.3

The above values are calculated on the assumption that the doors have square edges. They are reduced if the doors have radiussed edges.

Projection of the door

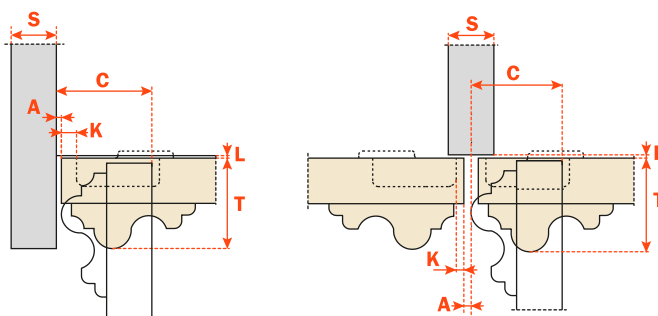
Projection of the door from the cabinet side at the max. opening. The figures are based on a straight arm hinge, H=0 mm thickness of mounting plate and K value = 3 mm.



“C” value

With this formula you can obtain the max. thickness of the moulded door that can be opened without touching adjacent carcass sides, doors or walls, whilst bearing in mind the above L · K · T values.

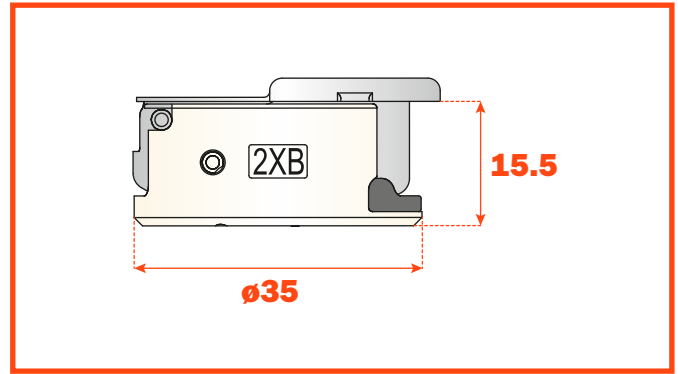
$C = 22.5 + K + A$



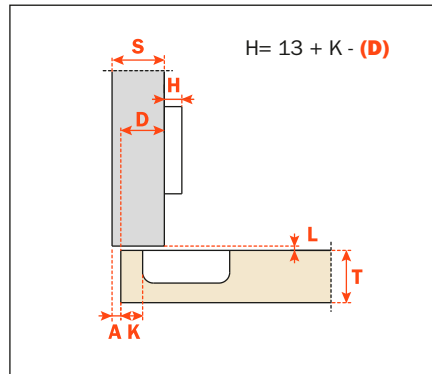
Packing - Boxes 300 pcs. - Pallets 7.200 pcs.

Use these formulas to determine the type of hinge arm, the drilling distance "K" and the height of the mounting plate "H" which is necessary to solve each application problem.

Use the tables "Drillings and fixings" at page 31 to complete the code number of the desired hinge.



Arm 0



C3_BAE9

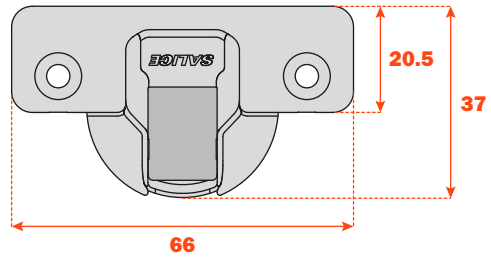
Silentia+ • Series 700



Hinges with adjustable integrated soft-close mechanism operated by twin silicone-oil dampers housed in the hinge cup.

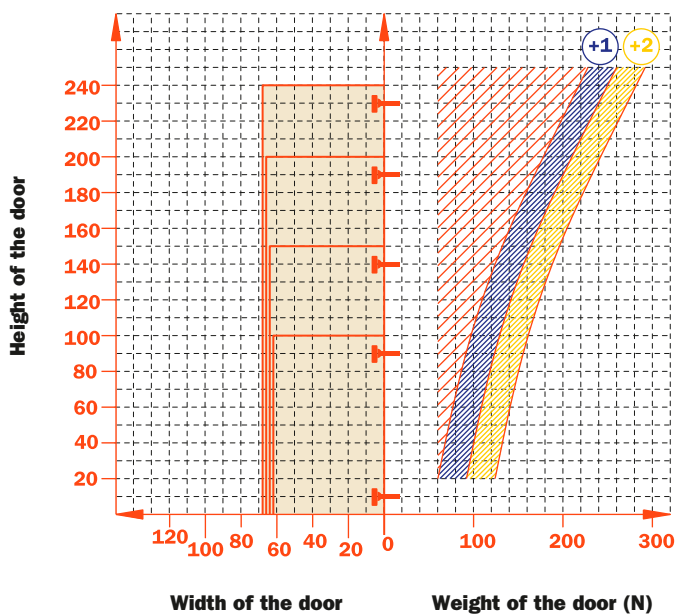
The decelerating effect is adjusted by using a simple switch.

Bright nickel plated steel cup and arm.
Dimensions of the Ø 35 mm cup.



Constant "L" value of 1.3 mm (it does not change during side adjustment).

Approx. number of hinges required according to the door dimension and weight.



Adjustments

- Compensated side adjustment from -1.5 mm to +4.5 mm.
- Height adjustment ±2 mm.
- Depth adjustment with Series 200 mounting plates +2.8 mm.
- Depth adjustment with Domi snap-on mounting plates from -0.5 mm to +2.8 mm.
- Anti-sliding safety stop.

Mounting plates

- Symmetrical and asymmetrical bright nickel plated steel or die-cast Series 200 mounting plates.
- Snap-on assembly on Domi mounting plates.
- Positioning with pre-determined stop on traditional Series 200 mounting plates.

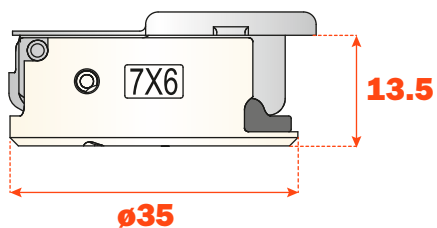
N.B. : Use POZIDRIVE No. 2 screwdrivers for all screws.

Wood screw		110°	155°	110°	155°
		A	A	P	P
				U	U
Rapido		110°	155°	110°	155°
		6	6	7	7
				2	2
Dowel		B	B	R	R
				W	W
Logica		I	I	J	J
				Q	Q

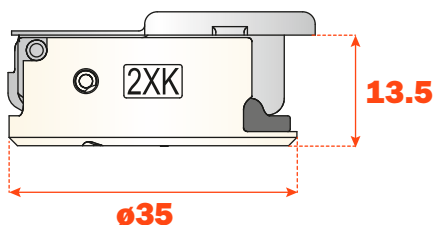
Use this table to identify the available drillings and fixings.

Fill the third position of the hinge code number with the letter or the number corresponding to your choice. I.e.: C7_6AE9.

↑
Fill this position with the chosen letter or number.



**110° opening
and complementary hinges**



155° opening



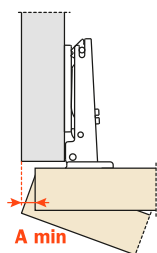
Technical information

Hinges with adjustable integrated soft-close mechanism operated by twin silicone-oil dampers housed in the hinge cup. The decelerating effect is adjusted by using a simple switch.

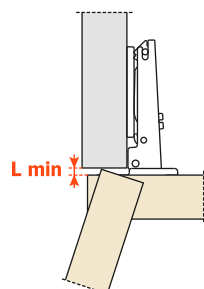
Hinges for min. 16 mm thick doors.
13.5 mm deep cup.
110° opening.

Possible drilling distance on the door (K): from 3 to 6 mm.
Compatible with all traditional Series 200 mounting plates and with all Domi snap-on mounting plates.

Space needed to open the door



	T=	16	17	18	19	20	21	22	23	24	25	26
K=3	A=	0.7	0.9	1.1	1.3	1.6	1.9	2.2	2.6	3.2	4.4	5.7
K=4	A=	0.6	0.8	1.1	1.3	1.6	1.8	2.2	2.5	2.9	3.4	4.7
K=5	A=	0.6	0.8	1.0	1.3	1.5	1.8	2.1	2.4	2.8	3.2	3.7
K=6	A=	0.6	0.8	1.0	1.2	1.5	1.8	2.1	2.4	2.7	3.1	3.6

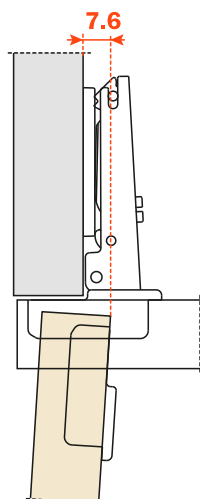


	T=	16	17	18	19	20	21	22	23	24	25	26
K=3	L=	0.0	0.0	0.0	0.0	0.0	0.0	0.0	0.2	0.4	0.6	0.9
K=4	L=	0.0	0.0	0.0	0.3	0.5	0.7	0.9	1.1	1.4	1.6	1.8
K=5	L=	0.6	0.8	1.0	1.2	1.5	1.7	1.9	2.1	2.4	2.6	2.8
K=6	L=	1.5	1.8	2.0	2.2	2.4	2.7	2.9	3.1	3.3	3.6	3.8

The above values are calculated on the assumption that the doors have square edges. They are reduced if the doors have radiused edges.

Projection of the door

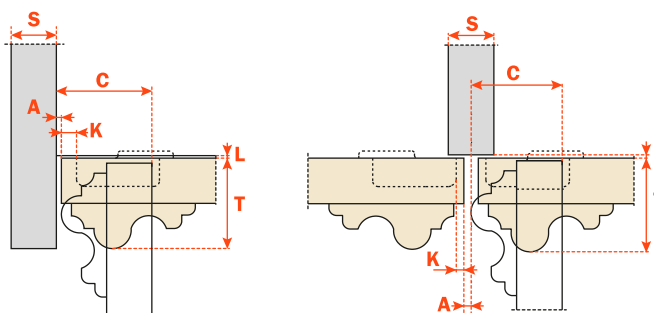
Projection of the door from the cabinet side at the max. opening. The figures are based on a straight arm hinge, H=0 mm thickness of mounting plate and K value = 3 mm.



“C” value

With this formula you can obtain the max. thickness of the moulded door that can be opened without touching adjacent carcass sides, doors or walls, whilst bearing in mind the above L · K · T values.

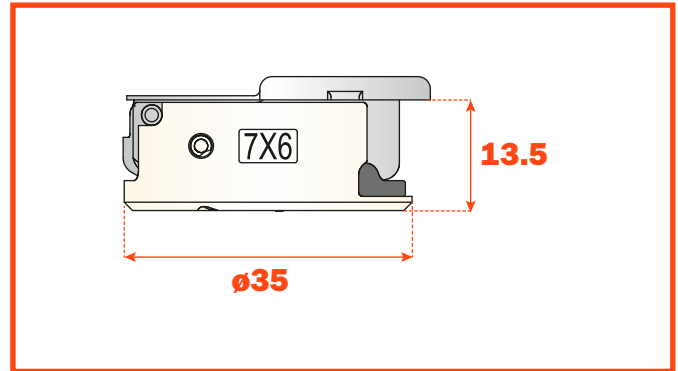
$$C = 22.5 + K + A$$



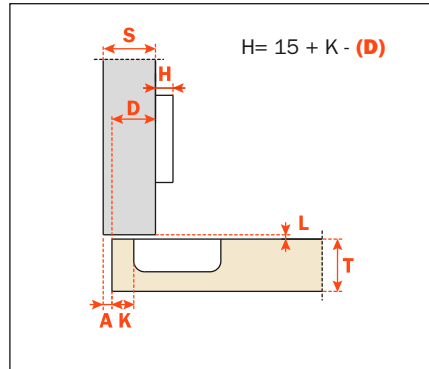
Packing • Boxes 300 pcs. • Pallets 7.200 pcs.

Use these formulas to determine the type of hinge arm, the drilling distance "K" and the height of the mounting plate "H" which is necessary to solve each application problem.

Use the tables "Drillings and fixings" at page 37 to complete the code number of the desired hinge.

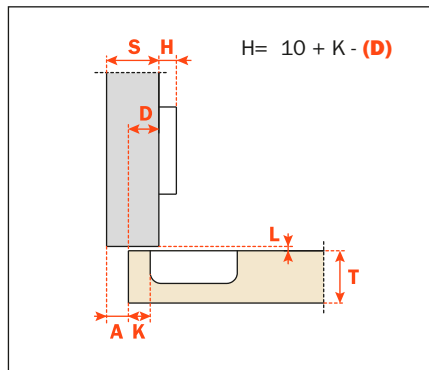


Arm 0



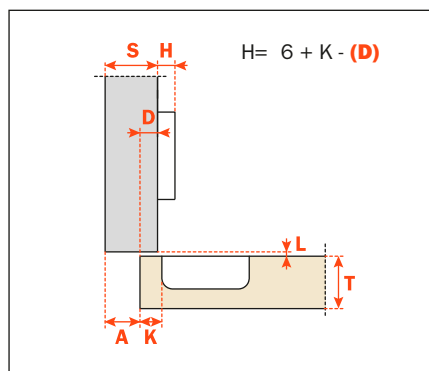
C7_6AE9

Arm 5



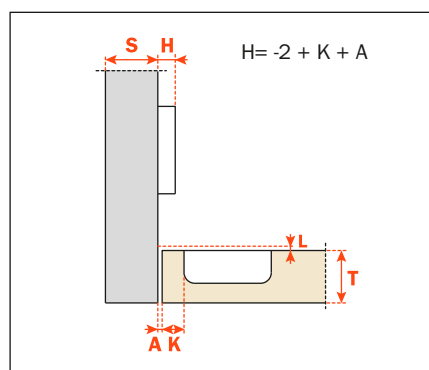
C7_6DE9

Arm 9



C7_6GE9

Arm 17



C7_6PE9



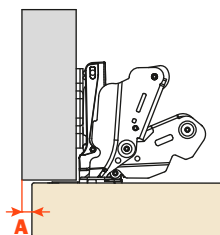
Technical information

Hinges with integrated soft-close mechanism operated by twin silicone-oil dampers housed in the hinge cup.

Hinges for thick doors 16 mm min.
Hinge with greater opening angle and reduced operating profile.
13.5 mm deep cup.

155° opening.
Possible drilling distance on the door (K): from 3 to 8 mm.
Compatible with all traditional Series 200 mounting plates and with all Domi snap-on mounting plates.

Space needed to open the door



	T=	16	18	20	22	24	25	26	27	28
K=3	A=	0.0	0.0	0.0	0.0	0.0	0.10	0.40	0.75	1.20
K=4	A=	0.0	0.0	0.0	0.0	0.0	0.15	0.45	0.85	1.35
K=5	A=	0.0	0.0	0.0	0.0	0.0	0.20	0.50	0.95	120° 1.70
K=6	A=	0.0	0.0	0.0	0.0	0.0	0.25	0.60	1.10	120° 1.95
K=7	A=	0.0	0.0	0.0	0.0	0.0	0.30	0.70	1.30	92° 2.30
K=8	A=	0.0	0.0	0.0	0.0	0.0	0.35	0.85	120° 1.70	92° 2.80
K=9	A=	0.0	0.0	0.0	0.0	0.15	0.55	1.20	92° 2.15	

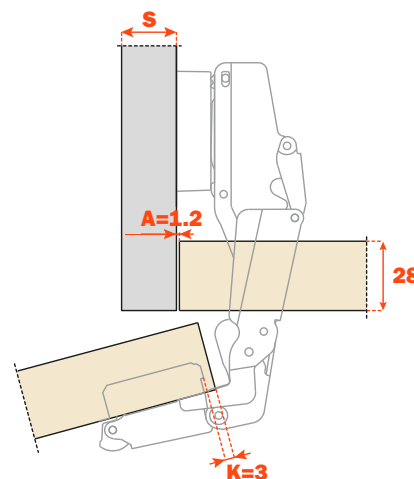
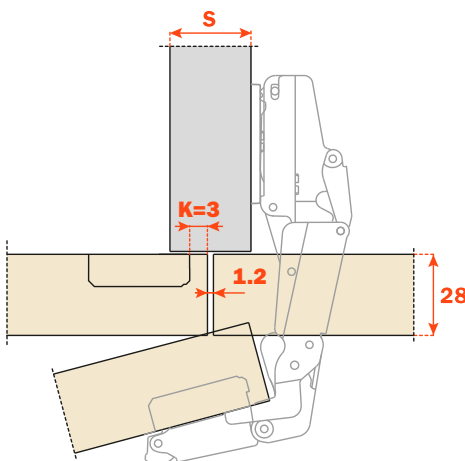
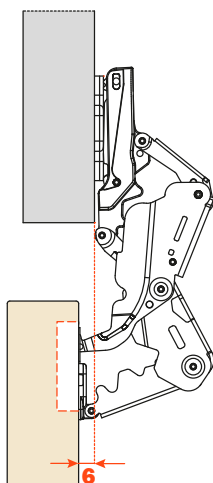
With opening stop device a 92° art. S2BM37XG
With opening stop device a 120° art. S2AM37XG

The above values are calculated on the assumption that the doors have square edges. They are reduced if the doors have radiussed edges.

Spaces with removable components.

“C” value

The door combined with a mounting plate H=0 and a straight arm hinge opens at 90° with lateral door protrusion of 2 mm.

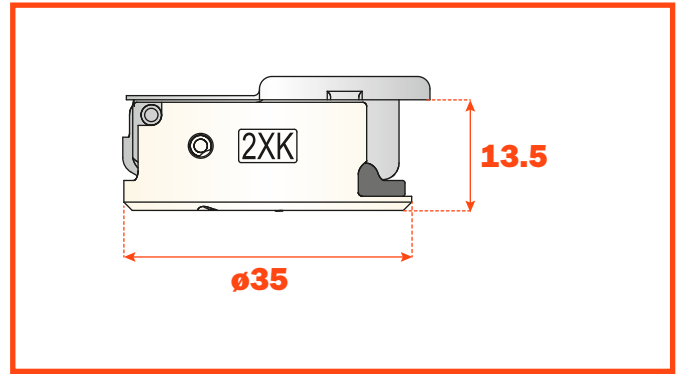


Packing • Boxes 100 pcs. • Pallets 2.400 pcs.

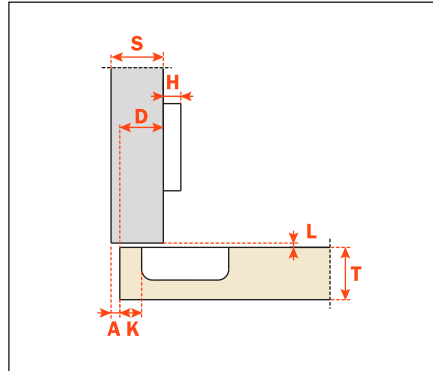
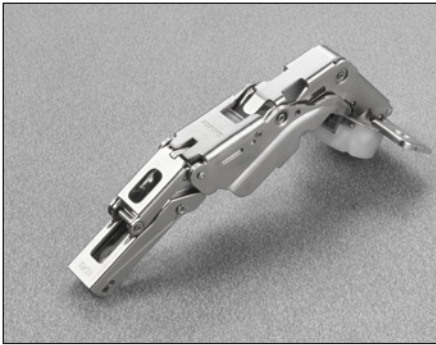
Use these formulas to determine the type of hinge arm, the drilling distance "K" and the height of the mounting plate "H" which is necessary to solve each application problem.

To limit the opening of the hinge, see page 67 chapter "Accessories".

Use the tables "Drillings and fixings" at page 37 to complete the code number of the desired hinge.

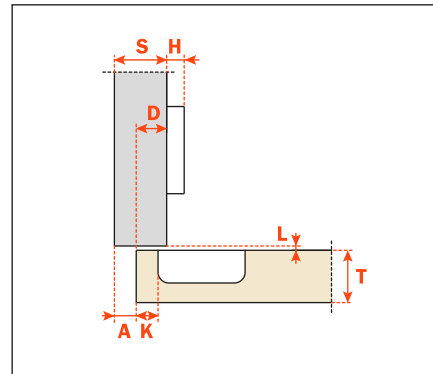
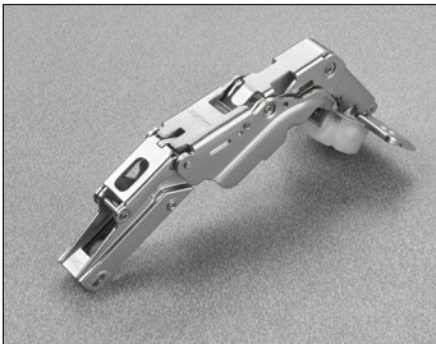


Arm 0



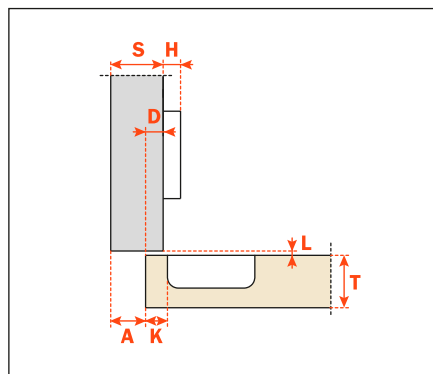
C2_KAE9

Arm 5



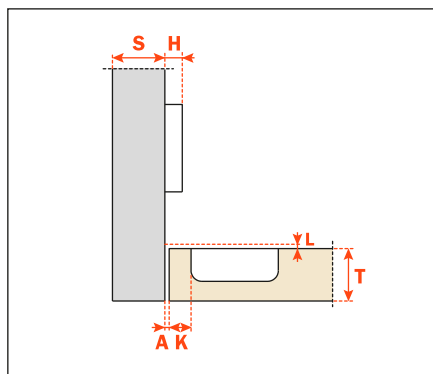
C2_KDE9

Arm 9

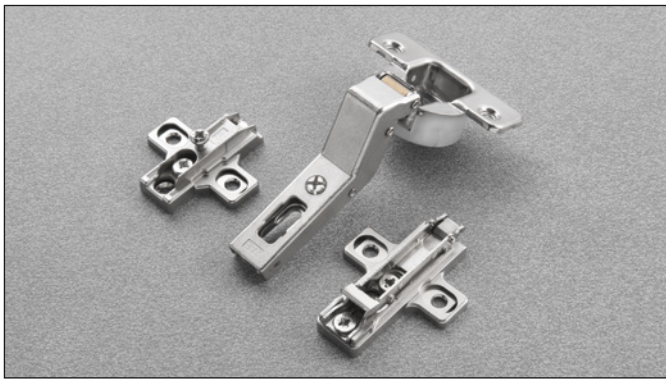


C2_KGE9

Arm 17



C2_KPE9



Technical information

Hinges with adjustable integrated soft-close mechanism operated by twin silicone-oil dampers housed in the hinge cup. The decelerating effect is adjusted by using a simple switch.

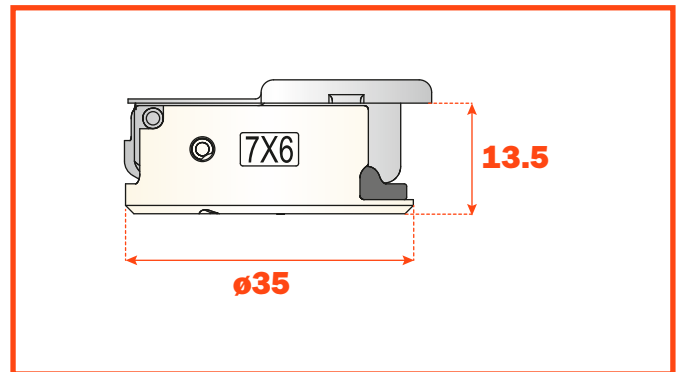
For wooden doors with positive angled assembly. Hinges for min. 16 mm thick doors. 13.5 mm deep cup.

110° opening.
Possible drilling distance on the door (K): from 3 to 6 mm.
Compatible with all traditional Series 200 mounting plates and with all Domi snap-on mounting plates.

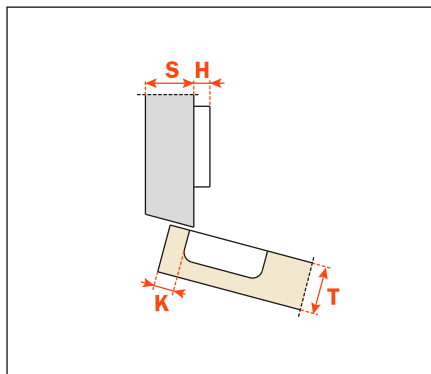
Packing • Boxes 150 pcs. • Pallets 3.600 pcs.

The solution of assembly problems where doors are mounted at a positive angle requires the verification of drilling distances by a practical trial. Please do not hesitate to consult our technical support department for assistance.

Use the tables "Drillings and fixings" at page 37 to complete the code number of the desired hinge.

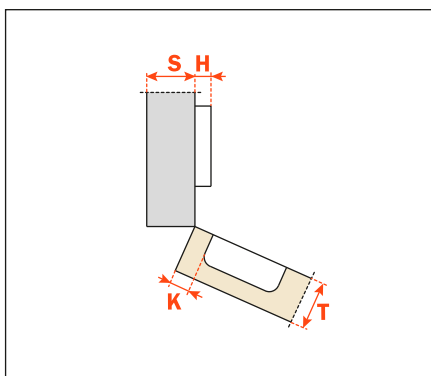


Arm 15°



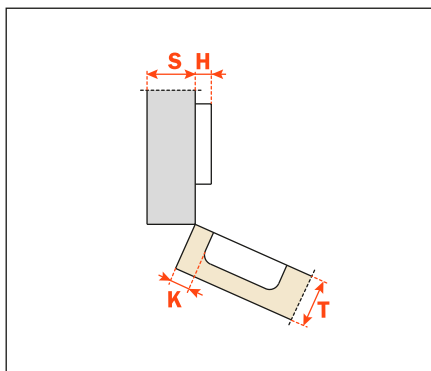
C7_6ZE9

Arm 24°



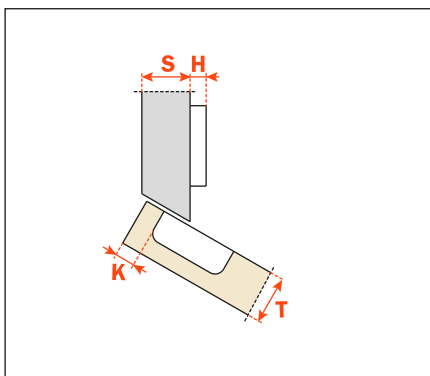
C7_6UE9

Arm 30°



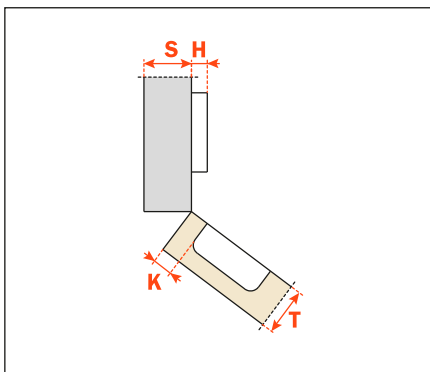
C7_6EE9

Arm 30°



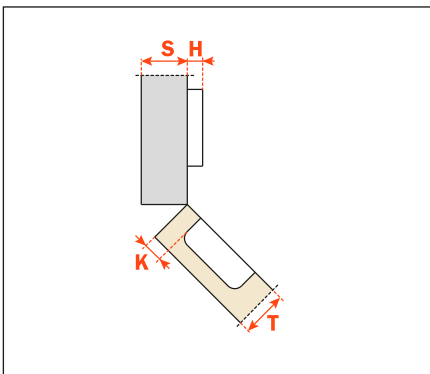
C7_6TE9

Arm 37°



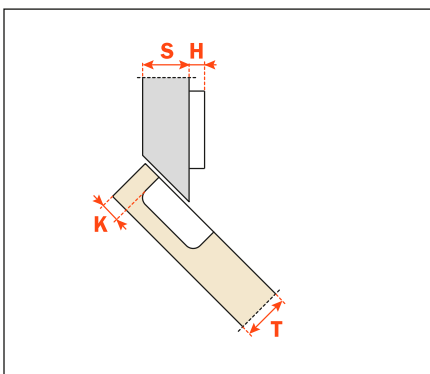
C7_6KE9

Arm 45°



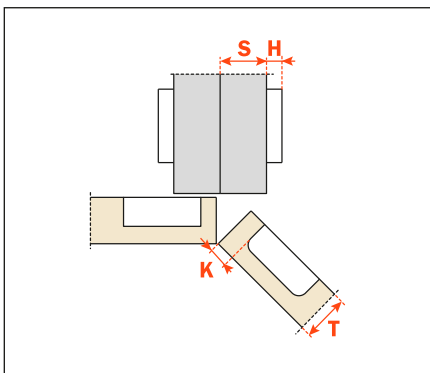
C7_6ME9

Arm 45°



C7_6VE9

Arm 45°



C7_6ME9AC



Technical information

Hinges with adjustable integrated soft-close mechanism operated by twin silicone-oil dampers housed in the hinge cup. The decelerating effect is adjusted by using a simple switch.

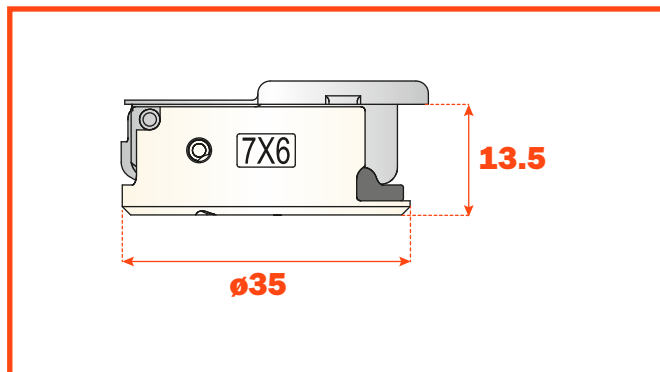
For wooden doors with negative angled assembly. Hinges for min. 16 mm thick doors. 13.5 mm deep cup.

110° opening.
Possible drilling distance on the door (K): from 3 to 6 mm.
Compatible with all traditional Series 200 mounting plates and with all Domi snap-on mounting plates.

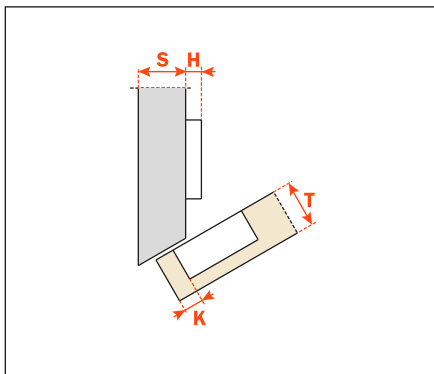
Packing • Boxes 150 pcs. • Pallets 3.600 pcs.

The solution of assembly problems where doors are mounted at a negative angle requires the verification of drilling distances by a practical trial. Please do not hesitate to consult our technical support department for assistance.

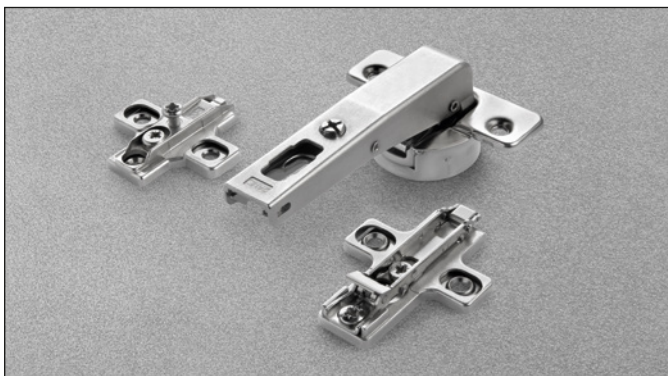
Use the tables “Drillings and fixings” at page 37 to complete the code number of the desired hinge.



Arm **-30°**



C7_6WE9



Technical information

Hinges with adjustable integrated soft-close mechanism operated by twin silicone-oil dampers housed in the hinge cup. The decelerating effect is adjusted by using a simple switch.

Crampon hinges.

For cabinet sides with 37x32 mm standard drilling.

Hinges for min. 16 mm thick doors.

13.5 mm deep cup.

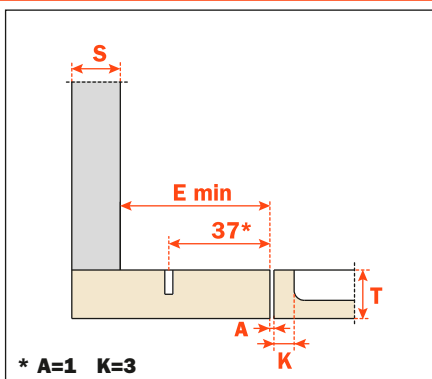
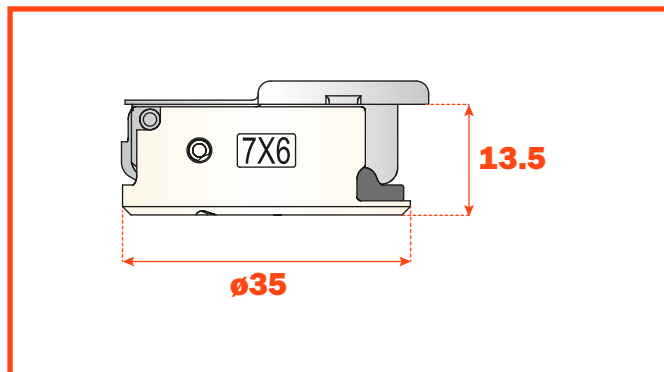
110° opening.

Possible drilling distance on the door (K): from 3 to 6 mm.

Compatible with all traditional Series 200 mounting plates and with all Domi snap-on mounting plates.

Packing • Boxes 150 pcs. • Pallets 3.600 pcs.

Use the tables "Drillings and fixings" at page 37 to complete the code number of the desired hinge.

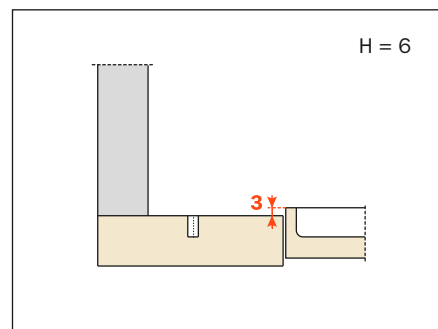
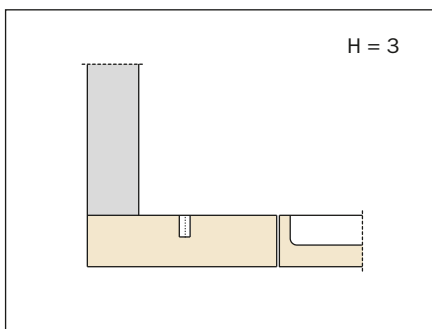
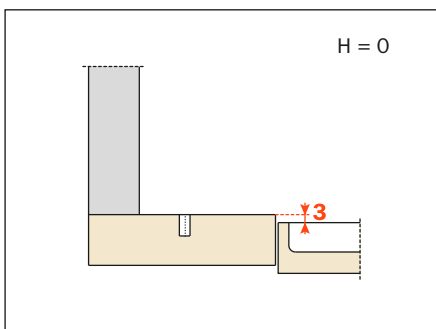


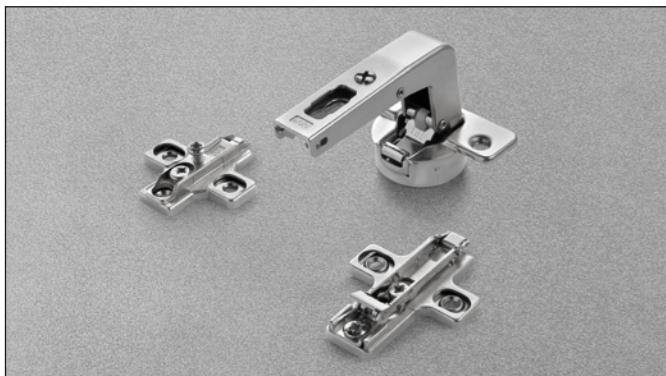
C7_6NE9AC

E min:

- 61 mm for Series 200 mounting plates.
- 70 mm for Domi snap-on mounting plates.
- 74 mm for Domi snap-on mounting plates with back cam.

Heights of mounting plates for every assembly.





Technical information

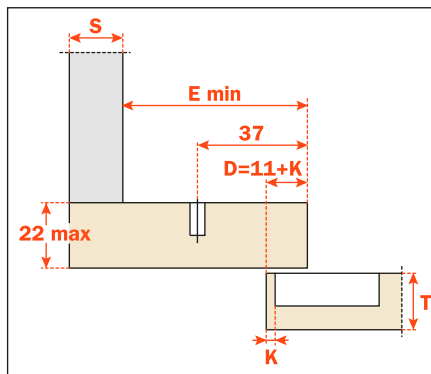
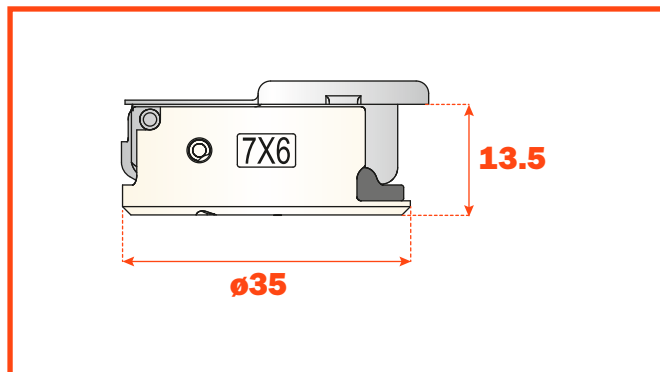
Hinges with adjustable integrated soft-close mechanism operated by twin silicone-oil dampers housed in the hinge cup. The decelerating effect is adjusted by using a simple switch.

Long crampton hinges.
Hinges for min. 16 mm thick doors.
13.5 mm deep cup.

110° opening.
 Possible drilling distance on the door (K): from 3 to 6 m.
 Compatible with all traditional Series 200 mounting plates and with all Domi snap-on mounting plates.

Packing • Boxes 150 pcs. • Pallets 3.600 pcs.

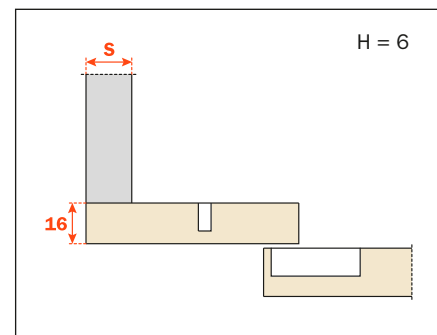
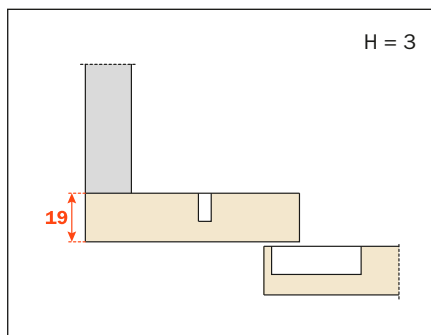
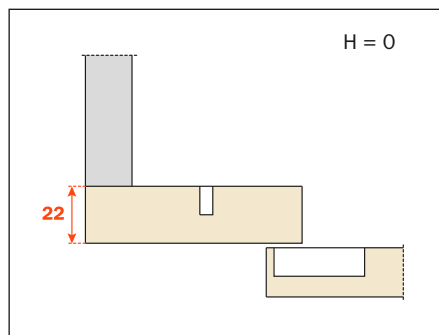
Use the tables "Drillings and fixings" at page 37 to complete the code number of the desired hinge.

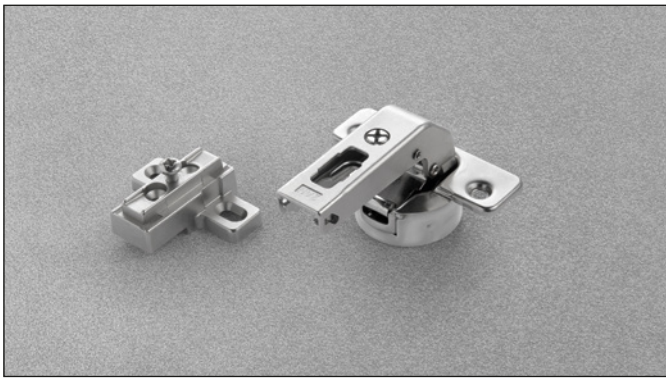


C7_6NE9AM

E min:
 • 61 mm for Series 200 mounting plates.
 • 70 mm for Domi snap-on mounting plates.
 • 74 mm for Domi snap-on mounting plates with back cam.

Heights of mounting plates for every assembly.





Technical information

Hinges with adjustable integrated soft-close mechanism operated by twin silicone-oil dampers housed in the hinge cup. The decelerating effect is adjusted by using a simple switch.

Crampon hinges.

For smaller spaces with 15x32 mm drilling.

Hinges for min. 16 mm thick doors.

13.5 mm deep cup.

110° opening.

Possible drilling distance on the door (K): from 3 to 6 mm.

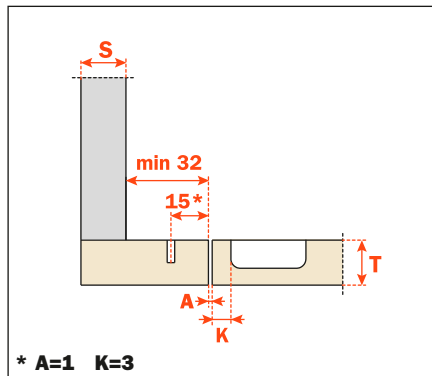
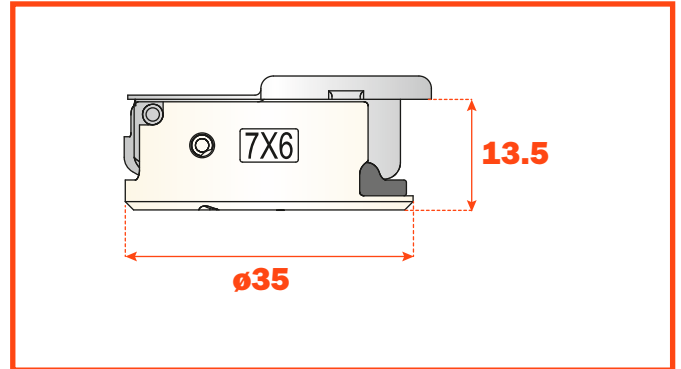
Compatible with all traditional Series 200 mounting plates, 28x32 mm drilling.

Compatible with all traditional Series 200 mounting plates, 28x32 mm drilling.

NOT COMPATIBLE with Domi snap-on mounting plates.

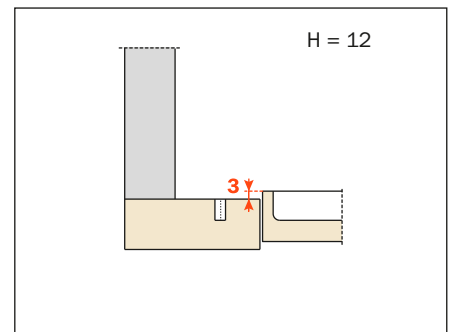
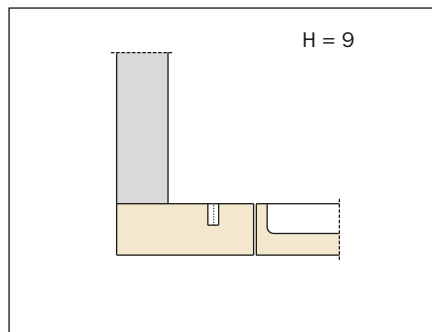
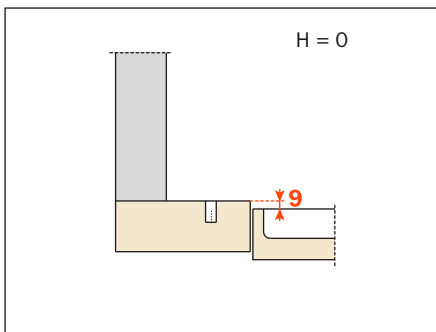
Packing • Boxes 150 pcs. • Pallets 3.600 pcs.

Use the tables "Drillings and fixings" at page 37 to complete the code number of the desired hinge.



C7_6NE9

Heights of mounting plates for every assembly.



Silentia • For metal profiles





Technical information

Hinges with integrated soft-close mechanism in the hinge cup.

Hinges specially developed for use with metal profiles.

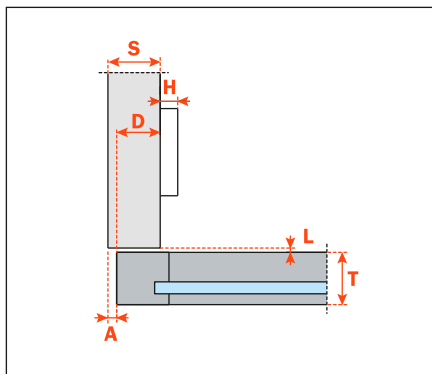
105° opening.

We recommend the use of countersunk flat head self tapping screws \varnothing 2.9x6.5 UNI 6955 DIN 7982 to fix C1Z6 hinges.

Compatible with all traditional Series 200 mounting plates and with all Domi snap-on mounting plates.

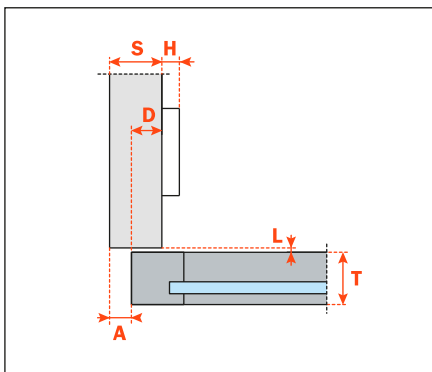
Packing • Boxes 150 pcs. • Pallets 3.600 pcs.

Arm 0



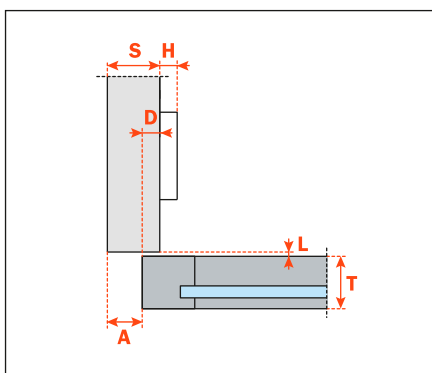
C1Z6AD9

Arm 5



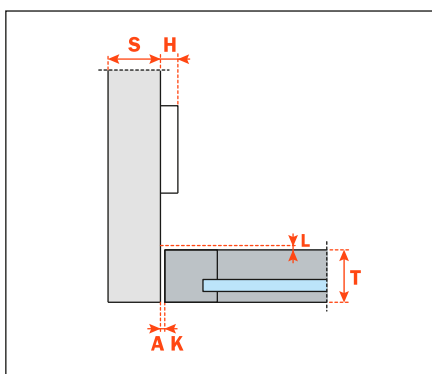
C1Z6DD9

Arm 9



C1Z6GD9

Arm 17



C1Z6PD9



Technical information

Hinges with integrated soft-close mechanism in the hinge cup.

For doors with positive angled assembly.

Hinges specially developed for use with metal profiles.

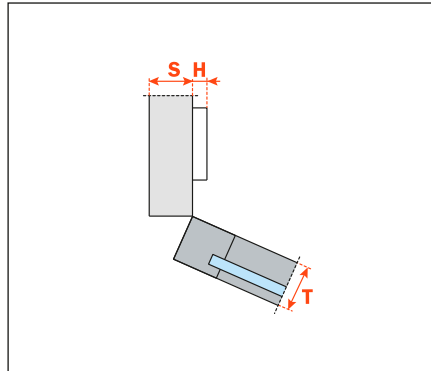
105° opening.

We recommend the use of countersunk flat head self tapping screws \varnothing 2.9x6.5 UNI 6955 DIN 7982 to fix C1Z6 hinges.

Compatible with all traditional Series 200 mounting plates and with all Domi snap-on mounting plates.

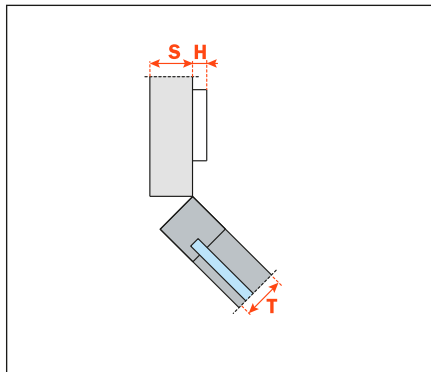
Packing • Boxes 150 pcs. • Pallets 3.600 pcs.

Arm 30°



C1Z6ED9

Arm 45°



C1Z6MD9



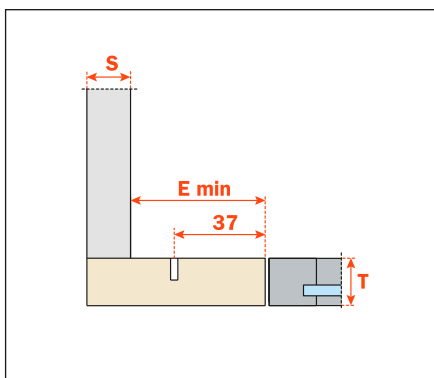
Technical information

Hinges with integrated soft-close mechanism in the hinge cup.

Crampon hinges.
For cabinet sides with 37x32 mm standard drilling.
Hinges specially developed for use with metal profiles.
 105° opening.

We recommend the use of countersunk flat head self tapping screws \varnothing 2.9x6.5 UNI 6955 DIN 7982 to fix C1Z6 hinges. Compatible with all traditional Series 200 mounting plates and with all Domi snap-on mounting plates.

Packing • Boxes 150 pcs. • Pallets 3.600 pcs.



C1Z6ND9AC

E min:
 • 61 mm for Series 200 mounting plates.
 • 70 mm for Domi snap-on mounting plates.
 • 74 mm for Domi snap-on mounting plates with back cam.



Technical information

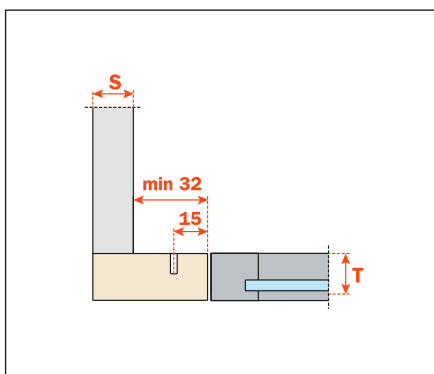
Hinges with integrated soft-close mechanism in the hinge cup.

Crampon hinges.
For smaller spaces with 15x32 mm drilling.
Hinges specially developed for use with metal profiles.
 105° opening.

We recommend the use of countersunk flat head self tapping screws \varnothing 2.9 x 6.5 UNI 6955 DIN 7982 to fix C1Z6 hinges. Compatible with all traditional Series 200 mounting plates, drilling 28x32 mm.

NOT COMPATIBLE with Domi snap-on mounting plates.

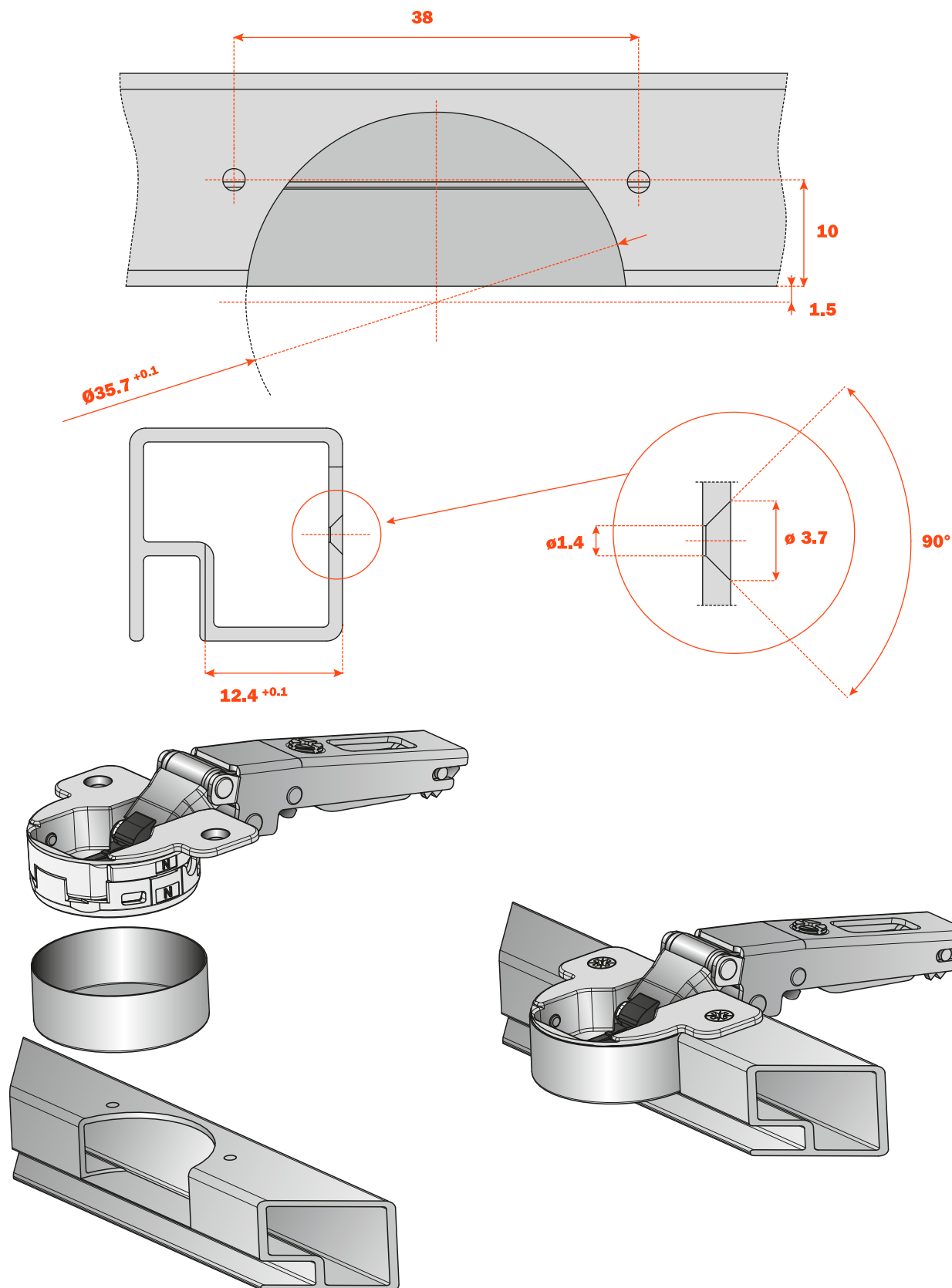
Packing • Boxes 150 pcs. • Pallets 3.600 pcs.



C1Z6ND9

Drilling of the metal profile

Countersunk flat head self tapping screws $\varnothing 2.9 \times 6.5$ UNI 6955 - DIN 7982



D1Z6HSK

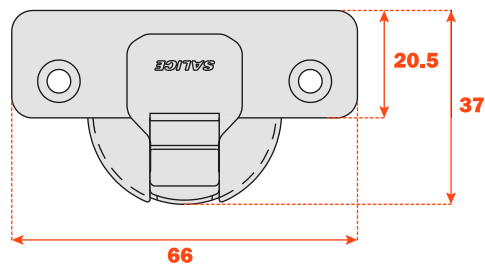
Fancy cover for hinge
(should be ordered separately)

Silentia • Series 800

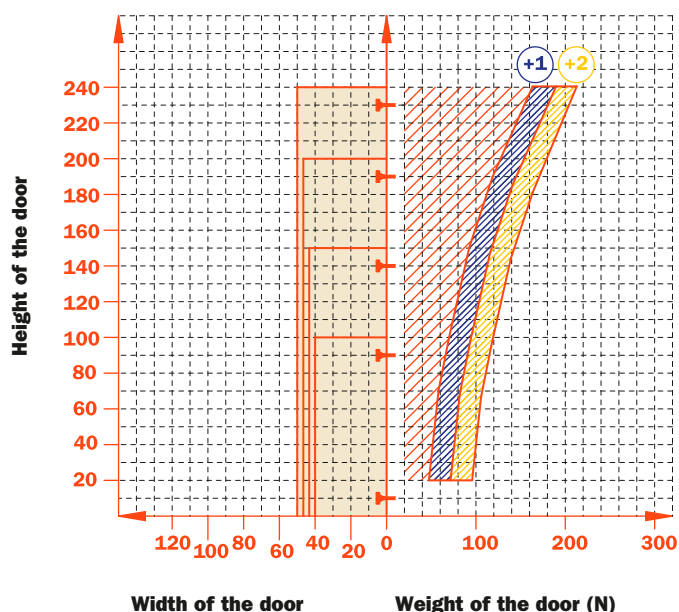


Hinges with integrated soft-close mechanism in the hinge cup.

Bright nickel plated steel cup and arm.
Dimensions of the Ø 35 mm cup.



Approx. number of hinges required according to the door dimension and weight.



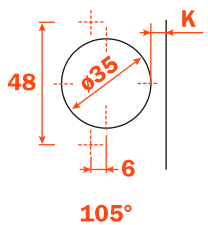
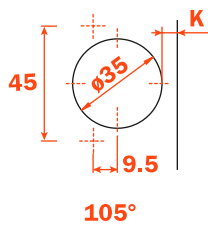
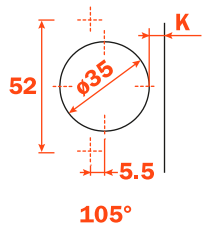

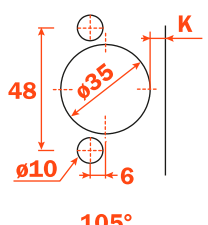
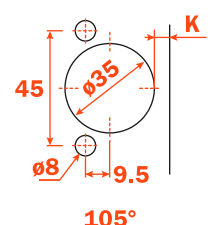
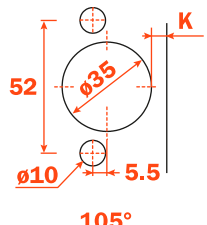
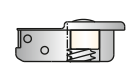

Adjustments

Side adjustment from -1.5 mm to +4.5 mm.
Height adjustment ±2 mm.
Depth adjustment from -1.5 mm to +3 mm.

Mounting plates

Symmetrical and asymmetrical bright nickel plated steel Series 200 mounting plates.
NOT COMPATIBLE with Series 200 mounting plates with negative height.

N.B. : Use POZIDRIVE No. 2 screwdrivers for all screws.

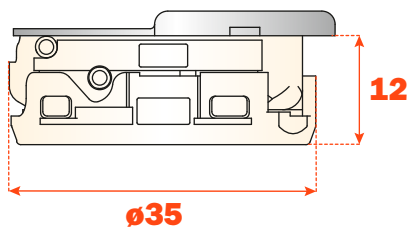
			
Wood screw 	A	P	U
			
Rapido 	6	7	2
Dowel 	B	R	W

Use this table to identify the available drillings and fixings.

Fill the third position of the hinge code number with the letter or the number corresponding to your choice. I.e.: C8_6CD9.



Fill this position with the chosen letter or number.



105° opening



Attention:

it is essential to drill the door as specified for the perfect functioning of the hinge.



Technical information

Hinges with integrated soft-close mechanism in the hinge cup.

Hinges for doors of small weight and thickness.

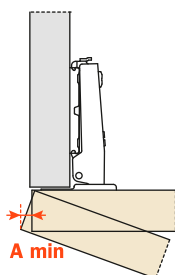
12 mm deep cup.

105° opening.

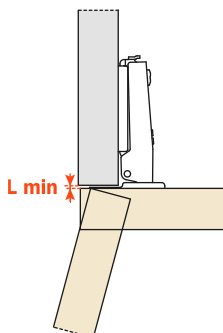
Possible drilling distance on the door (K): from 3 to 6 mm.

Compatible with all traditional steel Series 200 mounting plates.

Space needed to open the door



	T=	15	16	17	18	19	20
K=3	A=	1.0	1.0	1.2	1.4	1.6	1.9
K=4	A=	0.9	1.0	1.2	1.3	1.5	1.8
K=5	A=	0.9	1.0	1.1	1.2	1.5	1.8
K=6	A=	0.9	1.0	1.1	1.2	1.4	1.7

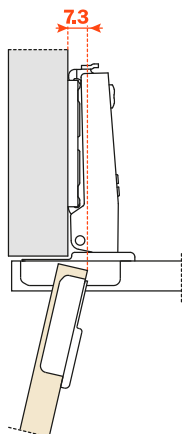


	T=	15	16	17	18	19	20
K=3	L=	0.0	0.0	0.0	0.0	0.1	0.3
K=4	L=	0.4	0.6	0.7	0.9	1.1	1.2
K=5	L=	1.0	1.0	1.2	1.8	2.0	2.0
K=6	L=	1.6	1.8	2.0	2.1	2.3	2.5

The above values are calculated on the assumption that the doors have square edges. They are reduced if the doors have radiussed edges.

Projection of the door

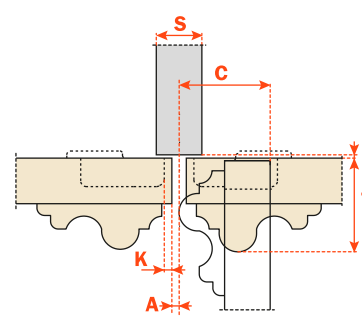
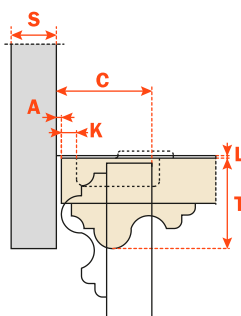
Projection of the door from the cabinet side at the max. opening. The figures are based on a straight arm hinge, H=0 mm thickness of mounting plate and K value = 3 mm.



“C” value

With this formula you can obtain the max. thickness of the moulded door that can be opened without touching adjacent carcass sides, doors or walls, whilst bearing in mind the above L · K · T values.

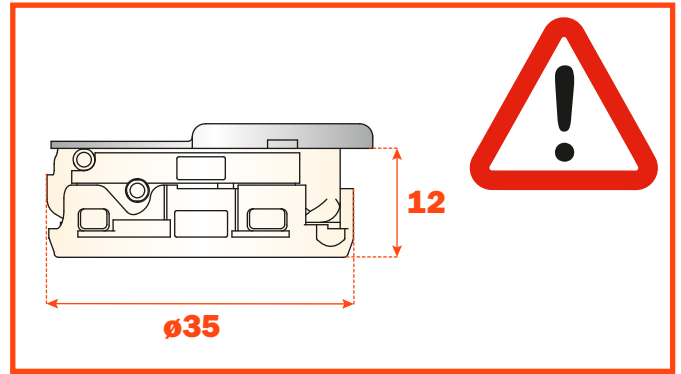
$$C = 20.5 + K + A$$



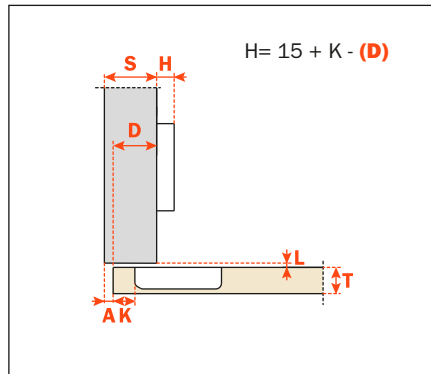
Packing • Boxes 300 pcs. • Pallets 7.200 pcs.

Use these formulas to determine the type of hinge arm, the drilling distance "K" and the height of the mounting plate "H" which is necessary to solve each application problem.

Use the tables "Drillings and fixings" at page 57 to complete the code number of the desired hinge.

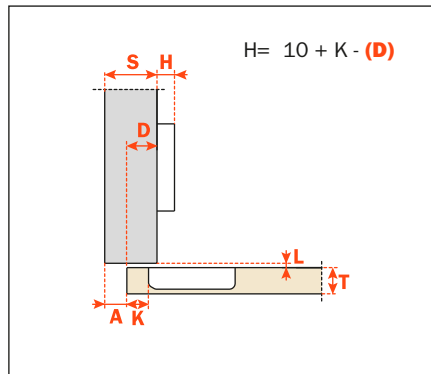


Arm 0



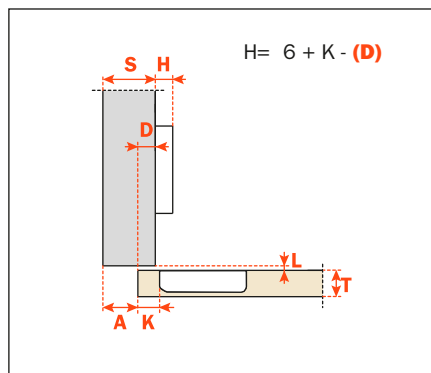
C8_6CD9

Arm 5



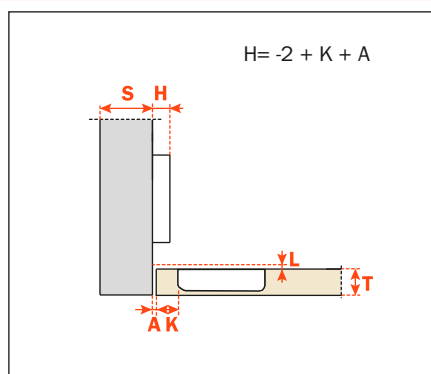
C8_6JD9

Arm 9



C8_6LD9

Arm 17



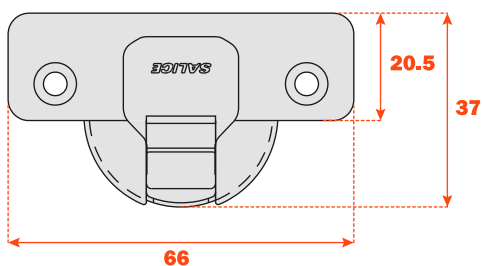
C8_6SD9

Silentia • Series 900

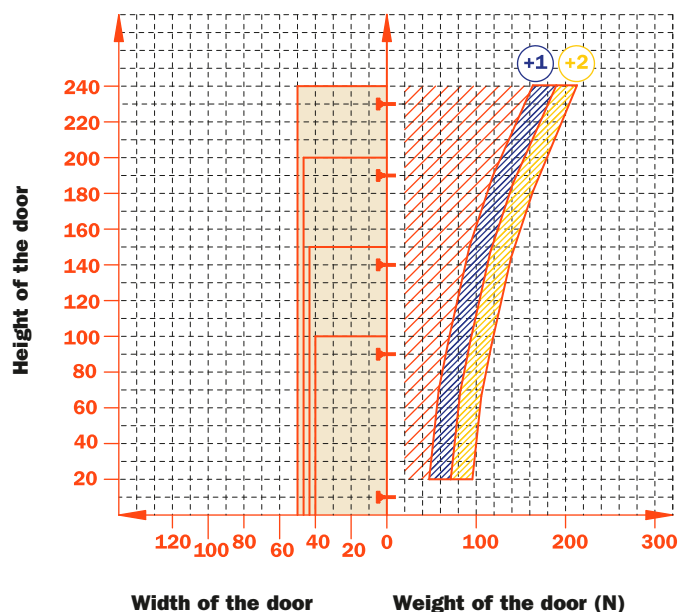


Hinges with integrated soft-close mechanism in the hinge cup.

Bright nickel plated steel cup and arm.
Dimensions of the Ø 35 mm cup.



Approx. number of hinges required according to the door dimension and weight.



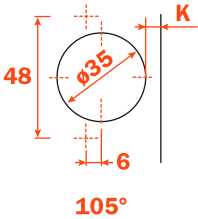
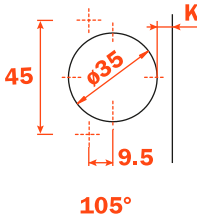
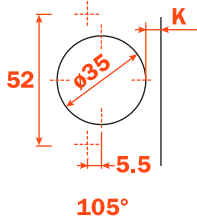

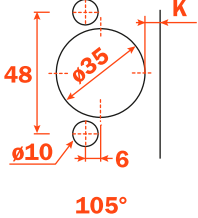
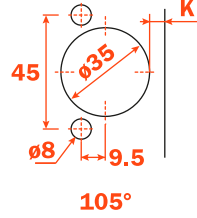
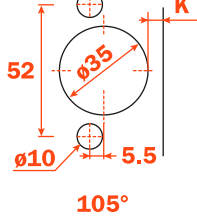
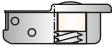
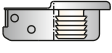
Adjustments

Side adjustment from -1.5 mm to +4 mm.
Height adjustment ±2 mm.
Depth adjustment +2.5 mm.

Mounting plates

Symmetrical and asymmetrical bright nickel plated steel or die-cast Series 200 mounting plates.
NOT COMPATIBLE with Series 200 mounting plates with negative height.

N.B. : Use POZIDRIVE No. 2 screwdrivers for all screws.

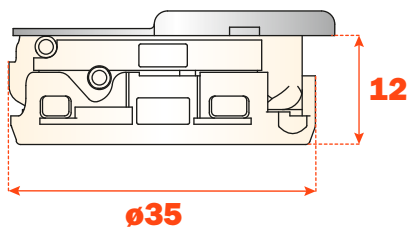
			
Wood screw 	A	P	U
			
Rapido 	6	7	2
Dowel 	B	R	W

Use this table to identify the available drillings and fixings.

Fill the third position of the hinge code number with the letter or the number corresponding to your choice. I.e.: C9_6CD9.



Fill this position with the chosen letter or number.



105° opening



Attention:
it is essential to drill the door as specified for the perfect functioning of the hinge.



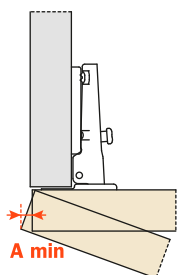
Technical information

Hinges with integrated soft-close mechanism in the hinge cup.

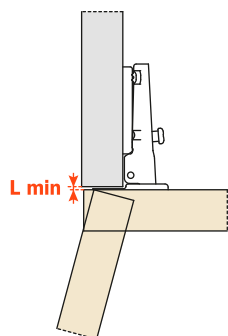
**Hinges for doors of small weight and thickness.
12 mm deep cup.**

105° opening.
Possible drilling distance on the door (K): from 3 to 6 mm.
Compatible with all traditional Series 200 mounting plates.
NOT COMPATIBLE with Domi snap-on mounting plates.

Space needed to open the door



	T=	15	16	17	18	19	20
K=3	A=	1.0	1.0	1.2	1.4	1.6	1.9
K=4	A=	0.9	1.0	1.2	1.3	1.5	1.8
K=5	A=	0.9	1.0	1.1	1.2	1.5	1.8
K=6	A=	0.9	1.0	1.1	1.2	1.4	1.7

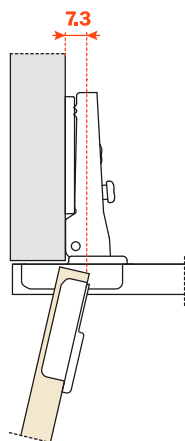


	T=	15	16	17	18	19	20
K=3	L=	0.0	0.0	0.0	0.0	0.1	0.3
K=4	L=	0.4	0.6	0.7	0.9	1.1	1.2
K=5	L=	1.0	1.0	1.2	1.8	2.0	2.0
K=6	L=	1.6	1.8	2.0	2.1	2.3	2.5

The above values are calculated on the assumption that the doors have square edges. They are reduced if the doors have radiussed edges.

Projection of the door

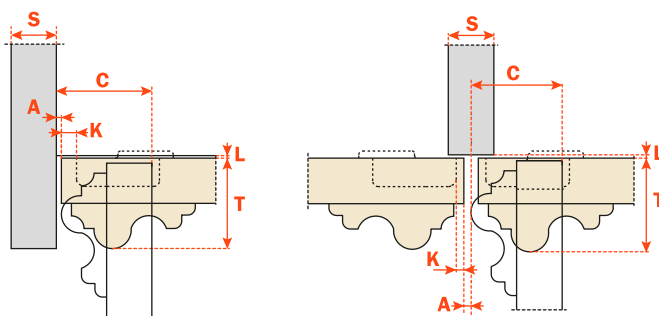
Projection of the door from the cabinet side at the max. opening. The figures are based on a straight arm hinge, H=0 mm thickness of mounting plate and K value = 3 mm.



“C” value

With this formula you can obtain the max. thickness of the moulded door that can be opened without touching adjacent carcass sides, doors or walls, whilst bearing in mind the above L · K · T values.

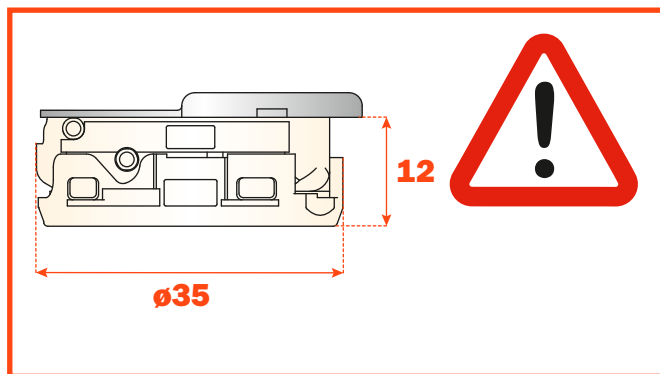
$C = 20.5 + K + A$



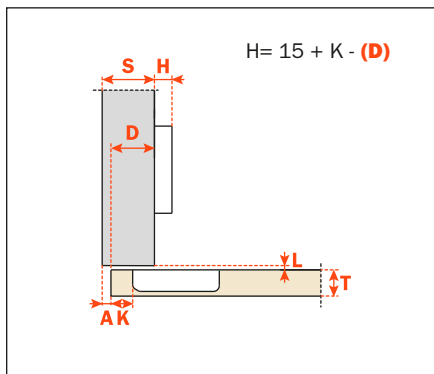
Packing • Boxes 300 pcs. • Pallets 7.200 pcs.

Use these formulas to determine the type of hinge arm, the drilling distance "K" and the height of the mounting plate "H" which is necessary to solve each application problem.

Use the tables "Drillings and fixings" at page 63 to complete the code number of the desired hinge.

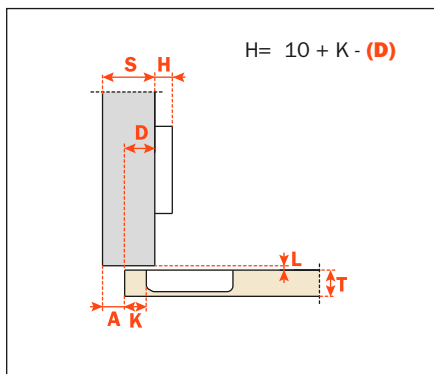


Arm 0



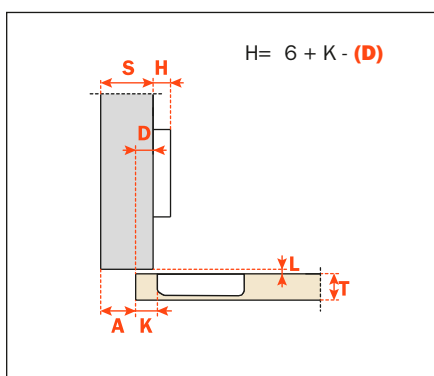
C9_6CD9

Arm 5



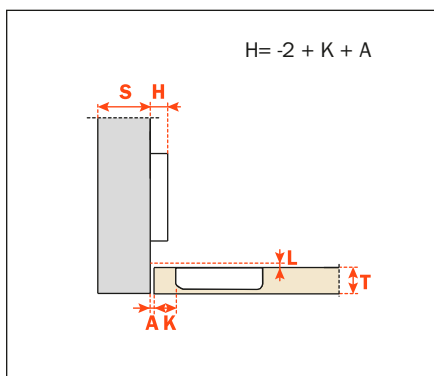
C9_6JD9

Arm 9



C9_6LD9

Arm 17



C9_6SD9

Accessories



Screw cover caps.

S2BX83H9



Symmetrical steel screw cover cap, it can be personalised on request.

For Series 100, 200, 300 and 700 hinges.

S2MX83H9



Symmetrical steel screw cover cap with embossed logo.

For Series 100, 200, 300 and 700 hinges.

S8XX83H9



Symmetrical steel screw cover cap, it can be personalised on request.

For Series 800 hinges.

S8CX83H9



Symmetrical steel screw cover cap with embossed logo.

For Series 800 hinges.

S9XX83H9



Steel symmetrical screw cover cap, it can be personalised on request.

For Series 900 hinges and complementary hinges Series 200 and 700.

S9CX83H9



Symmetrical steel screw cover cap with embossed logo.

For Series 900 hinges and complementary hinges Series 200 and 700.

Flange cover caps.

S2XX85H9



Steel flange cover cap, it can be personalised on request.

For all Series 100, 200, 300, 700, 800 and 900.

S2CX85H9



Steel flange cover cap with embossed logo.

For all Series 100, 200, 300, 700, 800 and 900.

Spacers, gauge and fancy cover for Silentia hinges.

S2XF86



Spacer to reduce the drilling depth for 155° hinges.

S2XF86BT = 0.6 mm

S2XF86AT = 1.2 mm

S2XF86KT = 1.8 mm

S2XX86



Spacer to reduce the drilling depth for 94°, 105° and 110° hinges.

S2XX86BT = 0.6 mm

S2XX86AT = 1.2 mm

S2XX86KT = 1.8 mm

D_A_AC_SN



Gauge to check the diameter and the depth of the drilling.

D1A6AC3SN = 12 mm

D2ABACGSN = 15.5 mm

D7A6ACYSN = 13.5 mm

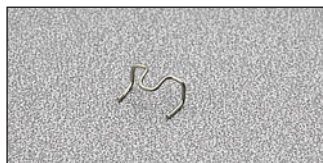
D1Z6HSK



Fancy cover for metal profiles hinges.

Stop devices.

S2A637XF



For all hinges for thicker doors, it limits opening at about 86°.



S1E637XY



For all Series 100 and 700 hinges, it limits opening at about 86°.



S2BF37XY



For 155° hinges, it limits opening at 130°.



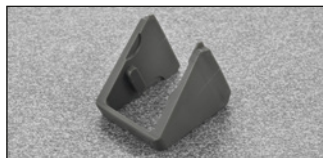
S2AF37X3



For 155° hinges, it limits opening at 135°.



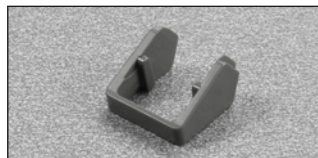
S2BM37XG



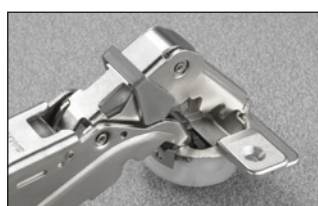
For 155° hinges, it limits opening at 92°.



S2AM37XG



For 155° hinges, it limits opening at 120°.



proudly supplied by



1-855-650-3265 | www.rugbyabp.com