



Drawer runners for wooden drawers:  
**Quadro drawer runners**

Technik für Möbel

  
**Hettich**

For all demands:  
Quadro drawer runners



**For all demands:**  
partial and full extension runners in many lengths and load categories.

Even heavy drawers close quietly and gently – thanks to the integrated Silent System.



Quadro drawer runners guarantee the ultimate in drawer convenience. With attractive design through concealed installation. With a long service life and unceasing top performance.

The robust, resilient runners provide the steel balls with optimum control - for perfect vertical and lateral stability.

The optional Silent System gently shuts drawers in complete silence.

The Push to open function automatically opens the pull-out in response to a light press on the front panel - for handleless front panels.



**Push to open:**  
for drawers that glide out automatically.  
The perfect solution for handleless front panels.



**Installing wooden drawers couldn't be easier:**  
slide on or plug on principle.

## Benefits at a glance: Quadro drawer runners

### For lasting furniture pleasure:

- High precision, maintenance free steel ball bearings
- Special Quadro profile geometry for good tracking and stability
- Harmonious, smooth running action

### For efficient furniture production:

- A multitude of opportunities for variation with uniform drawer dimensions and carcass drillings
- Partial and full extension runners
- Integrated Stop Control, Silent System or Push to open
- As Quadro 4D with precision front panel adjustment

### For attractive furniture design:

- Concealed runner profiles impress from behind the front panel
- Push to open - opens purist furniture without handles



**Quadro 4D V6 for a best in class front panel alignment:**

- Intuitive and tool-less adjustment of the front panel
- Height adjustment  $\pm 2$  mm
- Side adjustment  $\pm 1,5$  mm
- Depth adjustment  $\pm 2$  mm (Push to open + 4 mm)
- Tilt adjustment



- ▶ Quadro drawer runners
- ▶ Summary



**Quadro 25 partial extension runners, plug on installation**  
Range summary / Technical comparison

6



**Quadro 25 partial extension runners, slide on installation**  
Range summary / Technical comparison

7



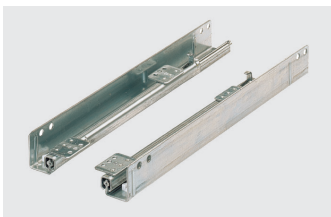
**Quadro V6 / 4D V6 / V6 + full extension runners, slide on installation**  
Range summary / Technical comparison

7 - 9



**Quadro partial and full extension runners for under-base installation**  
Range summary / Technical comparison

9



**Quadro 25 pull-out shelf runner**  
Range summary / Technical comparison

10



**Accessories**  
Range summary / Technical comparison

10



**OrgaStripe**

50 - 51



**Technical information**  
Quality criteria



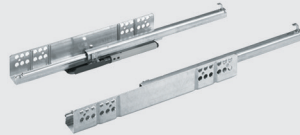
44 - 49

52

# Drawer runners for wooden drawers



- ▶ Quadro drawer runners
- ▶ Range summary / Technical comparison

|                  | Quadro 25 with Stop Control<br> | Quadro 25 with Silent System<br> | Quadro 25 with Push to open<br> |
|------------------|--|--|--|
| Page             | 12 - 13  | 14 - 15  | 16 - 17  |
| Description      | Partial extension runner with integrated self closing  | Partial extension runner with integrated Silent System   | Partial extension runner with integrated opening system  |
| Loading capacity | 75 lbs   | 75 lbs   | 75 lbs   |
| Drawer lengths   | 250 - 550 mm<br>10" - 21 <sup>5</sup> / <sub>8</sub> "   | 250 - 550 mm<br>10" - 21 <sup>5</sup> / <sub>8</sub> "   | 250 - 550 mm<br>10" - 21 <sup>5</sup> / <sub>8</sub> "   |
| Installation     | <ul style="list-style-type: none"> <li>▶ On carcass side</li> <li>▶ Plug on installation</li> </ul>              | <ul style="list-style-type: none"> <li>▶ On carcass side</li> <li>▶ Plug on installation</li> </ul>                | <ul style="list-style-type: none"> <li>▶ On carcass side</li> <li>▶ Plug on installation</li> </ul>                |



# Drawer runners for wooden drawers



▶ **Quadro drawer runners**


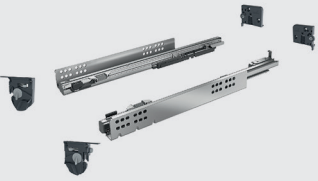

▶ **Range summary / Technical comparison**

| Quadro 25 with Stop Control  | Quadro 25 with Silent System   | Quadro 25 with Push to open  | Quadro V6 with Silent System   |
|--|--|--|--|
| 18 - 19  | 20 - 21  | 22 - 23  | 24 - 25  |
| Partial extension runner with integrated self closing  | Partial extension runner with integrated Silent System   | Partial extension runner with integrated opening system  | Full extension runner with integrated Silent System  |
| 75 lbs   | 75 lbs   | 75 lbs   | 90 lbs   |
| 250 - 550 mm<br>10" - 21 <sup>5</sup> / <sub>8</sub> "   | 250 - 550 mm<br>10" - 21 <sup>5</sup> / <sub>8</sub> "   | 250 - 550 mm<br>10" - 21 <sup>5</sup> / <sub>8</sub> "   | 250 - 600 mm<br>10" - 23 <sup>5</sup> / <sub>8</sub> "   |
| <ul style="list-style-type: none"> <li>▶ On carcass side</li> <li>▶ Slide on installation</li> </ul> | <ul style="list-style-type: none"> <li>▶ On carcass side</li> <li>▶ Slide on installation</li> </ul> | <ul style="list-style-type: none"> <li>▶ On carcass side</li> <li>▶ Slide on installation</li> </ul> | <ul style="list-style-type: none"> <li>▶ On carcass side</li> <li>▶ Slide on installation</li> </ul> |

# Drawer runners for wooden drawers



- ▶ Quadro drawer runners
- ▶ Range summary / Technical comparison

|                  | Quadro V6 with Push to open<br> | Quadro 4D V6 with Silent System<br> | Quadro 4D V6 with Push to open<br> |
|------------------|--|---|---|
| Page             | 26 - 27  | 28 - 29   | 30 - 31   |
| Description      | Full extension runner with integrated opening system   | Full extension runner with integrated Silent System and 4D adjustment   | Full extension runner with integrated opening system and 4D adjustment  |
| Loading capacity | 90 lbs   | 90 lbs  | 90 lbs  |
| Drawer lengths   | 250 - 600 mm<br>10" - 23 <sup>5</sup> / <sub>8</sub> "   | 250 - 600 mm<br>10" - 23 <sup>5</sup> / <sub>8</sub> "  | 250 - 600 mm<br>10" - 23 <sup>5</sup> / <sub>8</sub> "  |
| Installation     | <ul style="list-style-type: none"> <li>▶ On carcass side</li> <li>▶ Slide on installation</li> </ul>             | <ul style="list-style-type: none"> <li>▶ On carcass side</li> <li>▶ Slide on installation</li> </ul>                  | <ul style="list-style-type: none"> <li>▶ On carcass side</li> <li>▶ Slide on installation</li> </ul>                  |

# Drawer runners for wooden drawers



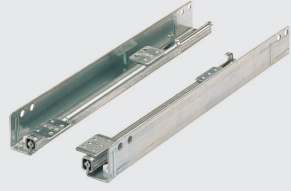


- ▶ **Quadro drawer runners**
- ▶ **Range summary / Technical comparison**

| Quadro V6+ with Silent System  | Quadro V6+ with Push to open   | Quadro 40 BM  | Quadro V6 BM with Silent System  |
|--|--|---|--|
| 32 - 33  | 34 - 35  | 36 - 37   | 38 - 39  |
| Full extension runner with integrated Silent System  | Full extension runner with integrated opening system   | Partial extension runner with locking mechanism   | Full extension runner with integrated Silent System  |
| 110 lbs  | 110 lbs  | 90 lbs  | 90 lbs   |
| 350 - 600 mm<br>13 <sup>3</sup> / <sub>4</sub> " - 23 <sup>5</sup> / <sub>8</sub> "                  | 350 - 600 mm<br>13 <sup>3</sup> / <sub>4</sub> " - 23 <sup>5</sup> / <sub>8</sub> "                  | 270 - 680 mm<br>10 <sup>5</sup> / <sub>8</sub> " - 26 <sup>3</sup> / <sub>4</sub> "                         | 350 - 500 mm<br>13 <sup>3</sup> / <sub>4</sub> " - 19 <sup>11</sup> / <sub>16</sub> "                        |
| <ul style="list-style-type: none"> <li>▶ On carcass side</li> <li>▶ Slide on installation</li> </ul> | <ul style="list-style-type: none"> <li>▶ On carcass side</li> <li>▶ Slide on installation</li> </ul> | <ul style="list-style-type: none"> <li>▶ On carcass bottom panel</li> <li>▶ Plug on installation</li> </ul> | <ul style="list-style-type: none"> <li>▶ On carcass bottom panel</li> <li>▶ Slide on installation</li> </ul> |

# Drawer runners for wooden drawers



- ▶ Quadro drawer runners
- ▶ Range summary / Technical comparison

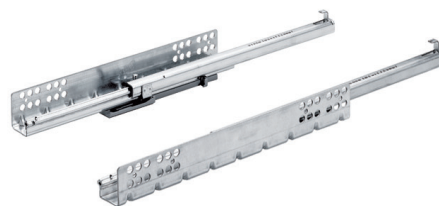
|                  | Quadro 25 pull-out shelf runner<br> | Accessories<br> | Push to open Silent<br> |
|------------------|--|---|--|
| Page             | 40   | 41  | 42 - 43  |
| Description      | Partial extension runner with locating catch   | Catch for wooden drawers / catch for pull-out shelves / plugs / lift off guard                    | Optional opening system  |
| Loading capacity | 55 lbs   |   | For Quadro 4D V6 with Silent System  |
| Drawer lengths   | 345 - 378 mm<br>13 <sup>5</sup> / <sub>8</sub> " - 14 <sup>7</sup> / <sub>8</sub> "                                  |   |  |
| Installation     | ▶ On carcass side  |   | ▶ Can be clipped on without tools  |



# Drawer runners for wooden drawers



- ▶ **Quadro 25 partial extension runner with Stop Control**
- ▶ **Loading capacity 75 lbs**



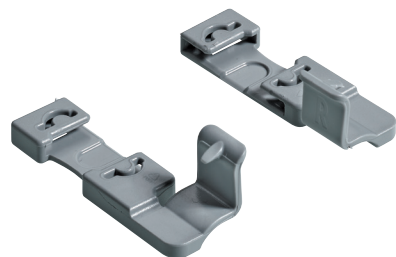
- ▶ **Stop Control** – integrated self closing mechanism for automatic closure
- ▶ Simple plug on installation with tool-less height adjustment
- ▶ Load capacity to EN 15338, Level 3
- ▶ Galvanized steel, suitable for rooms exposed to moisture

## Quadro 25 with Stop Control

| Nominal length /<br>drawer length<br>NL inches / mm | Minimum<br>carcase depth<br>KT inches | Extension<br>loss EL mm | Hole spacing<br>b1 mm | Drill hole spacing,<br>dimension C mm | Drill hole spacing,<br>dimension D mm | Order no. |           | PU     |
|---|---------------------------------------|-------------------------|-----------------------|---------------------------------------|---------------------------------------|-----------|-----------|--------|
|   |                                       |                         |                       |                                       |                                       | left      | right     |        |
| 10 / 250  | 11                                    | 50                      | 160                   | 188.5                                 | 61.5                                  | 9 105 599 | 9 105 600 | 30 ea. |
| 11 <sup>3</sup> / <sub>4</sub> / 300                | 12 <sup>3</sup> / <sub>4</sub>        | 50                      | 160                   | 188.5                                 | 111.5                                 | 9 105 601 | 9 105 602 | 30 ea. |
| 12 <sup>9</sup> / <sub>16</sub> / 320               | 13 <sup>9</sup> / <sub>16</sub>       | 62                      | 192                   | 221.5                                 | 98.5                                  | 9 105 603 | 9 105 604 | 30 ea. |
| 13 <sup>3</sup> / <sub>4</sub> / 350                | 14 <sup>3</sup> / <sub>4</sub>        | 62                      | 192                   | 221.5                                 | 128.5                                 | 9 105 605 | 9 105 606 | 30 ea. |
| 14 <sup>15</sup> / <sub>16</sub> / 380              | 15 <sup>15</sup> / <sub>16</sub>      | 62                      | 224                   | 249.5                                 | 130.5                                 | 9 105 607 | 9 105 608 | 30 ea. |
| 15 <sup>3</sup> / <sub>4</sub> / 400                | 16 <sup>3</sup> / <sub>4</sub>        | 74                      | 224                   | 249.5                                 | 150.5                                 | 9 105 609 | 9 105 610 | 30 ea. |
| 16 <sup>1</sup> / <sub>2</sub> / 420                | 17 <sup>1</sup> / <sub>2</sub>        | 74                      | 224                   | 283.5                                 | 136.5                                 | 9 117 520 | 9 117 521 | 30 ea. |
| 17 <sup>11</sup> / <sub>16</sub> / 450              | 18 <sup>11</sup> / <sub>16</sub>      | 86                      | 256                   | 283.5                                 | 166.5                                 | 9 105 611 | 9 105 612 | 30 ea. |
| 18 <sup>7</sup> / <sub>8</sub> / 480                | 19 <sup>7</sup> / <sub>8</sub>        | 86                      | 256                   | 309.5                                 | 170.5                                 | 9 117 522 | 9 117 523 | 30 ea. |
| 19 <sup>11</sup> / <sub>16</sub> / 500              | 20 <sup>11</sup> / <sub>16</sub>      | 98                      | 288                   | 309.5                                 | 190.5                                 | 9 105 613 | 9 105 614 | 30 ea. |
| 20 <sup>15</sup> / <sub>32</sub> / 520              | 21 <sup>15</sup> / <sub>32</sub>      | 98                      | 288                   | 338,5                                 | 181,5                                 | 9 135 706 | 9 135 707 | 30 ea. |
| 21 <sup>5</sup> / <sub>8</sub> / 550                | 22 <sup>5</sup> / <sub>8</sub>        | 98                      | 320                   | 338.5                                 | 211.5                                 | 9 105 615 | 9 105 616 | 30 ea. |

- ▶ Using the plug reduces drawer length (NL) by 10 mm.

## Lift off guard for wooden drawers with plug on installation (Quadro 25)



- ▶ The optional lift off guard can be used for additionally securing wooden drawers for plug on installation
- ▶ plastic, grey

| Article | Order no. | PU      |
|---------|-----------|---------|
| left    | 9 155 280 | 200 ea. |
| right   | 9 155 281 | 200 ea. |

## Plug (Quadro 25 and Quadro 40)



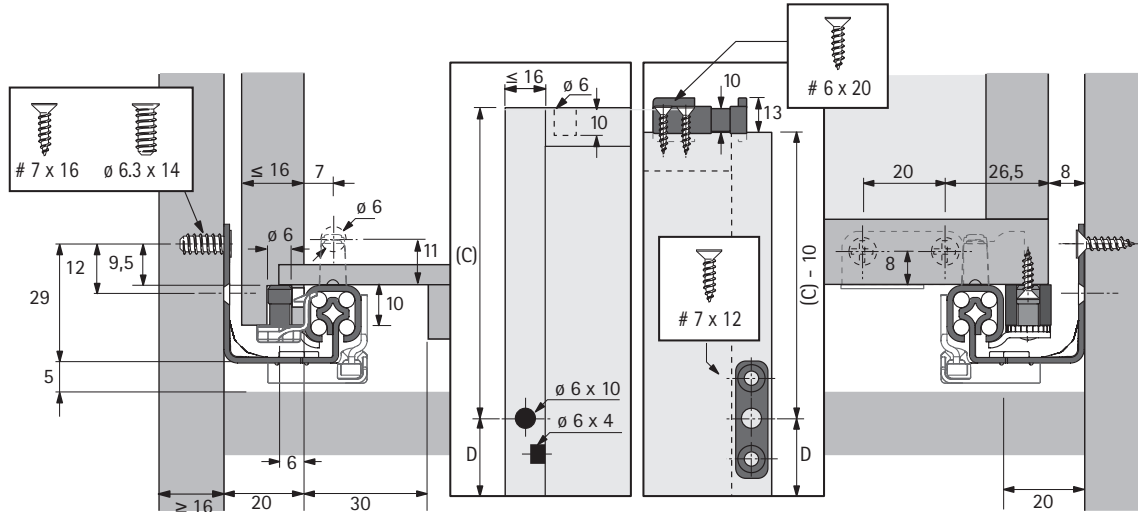
- ▶ For drawers with flush bottom panel and pull-out shelves
- ▶ plastic

| Mounting position | Colour | Order no. | PU      |
|-------------------|--------|-----------|---------|
| front             | beige  | 0 047 216 | 200 ea. |
| rear              | white  | 0 073 213 | 200 ea. |

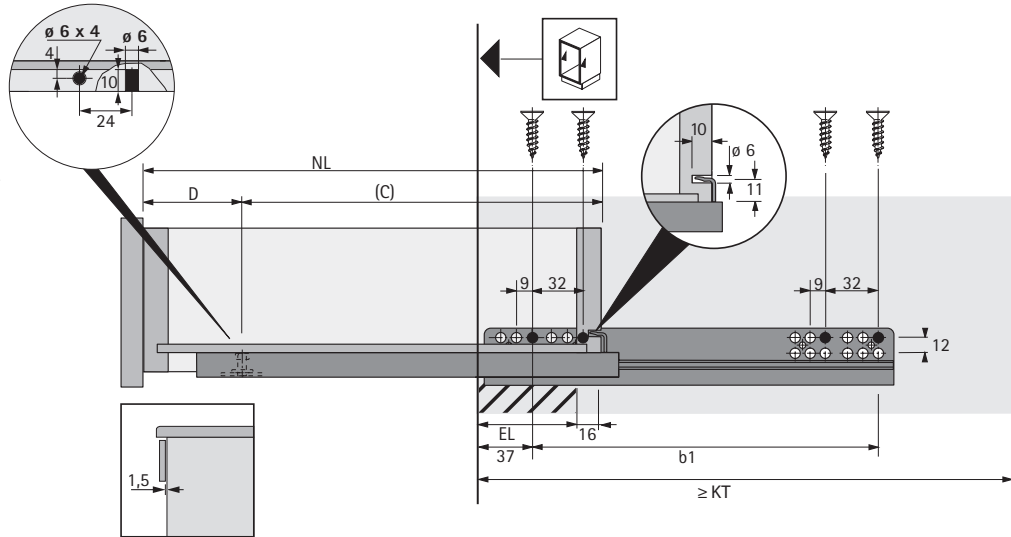
# Drawer runners for wooden drawers

- ▶ Quadro 25 partial extension runner with Stop Control
- ▶ Loading capacity 75 lbs

## Planning dimensions



## Planning dimensions

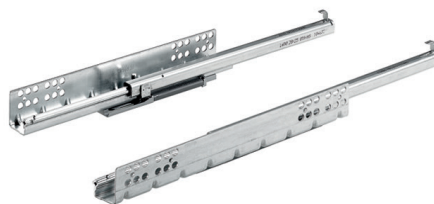


- ▶ For technical information, see pages 42 - 43, 46
- ▶ For accessories, see page 41

# Drawer runners for wooden drawers



- ▶ **Quadro 25 partial extension runner with Silent System**
- ▶ **Loading capacity 75 lbs**



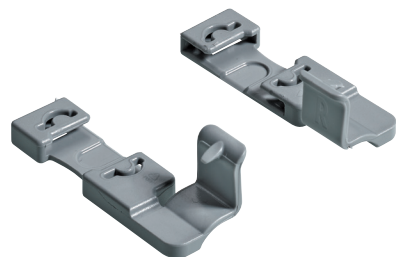
- ▶ **Silent System** - the integrated Silent System closes the drawer quietly and gently
- ▶ Simple plug on installation with tool-less height adjustment
- ▶ Load capacity to EN 15338, Level 3
- ▶ Galvanized steel, suitable for rooms exposed to moisture

## Quadro 25 with Silent System

| Nominal length /<br>drawer length<br>NL inches / mm | Minimum<br>carcase depth<br>KT inches | Extension<br>loss EL mm | Hole spacing<br>b1 mm | Drill hole spacing,<br>dimension C mm | Drill hole spacing,<br>dimension D mm | Order no. |           | PU     |
|---|---------------------------------------|-------------------------|-----------------------|---------------------------------------|---------------------------------------|-----------|-----------|--------|
|   |                                       |                         |                       |                                       |                                       | left      | right     |        |
| 10 / 250  | 11                                    | 50                      | 160                   | 188.5                                 | 61.5                                  | 9 105 617 | 9 105 618 | 30 ea. |
| 11 <sup>3</sup> / <sub>4</sub> / 300                | 12 <sup>3</sup> / <sub>4</sub>        | 50                      | 160                   | 188.5                                 | 111.5                                 | 9 105 619 | 9 105 620 | 30 ea. |
| 12 <sup>9</sup> / <sub>16</sub> / 320               | 13 <sup>9</sup> / <sub>16</sub>       | 62                      | 192                   | 221.5                                 | 98.5                                  | 9 105 621 | 9 105 622 | 30 ea. |
| 13 <sup>3</sup> / <sub>4</sub> / 350                | 14 <sup>3</sup> / <sub>4</sub>        | 62                      | 192                   | 221.5                                 | 128.5                                 | 9 105 623 | 9 105 624 | 30 ea. |
| 14 <sup>15</sup> / <sub>16</sub> / 380              | 15 <sup>15</sup> / <sub>16</sub>      | 62                      | 224                   | 249.5                                 | 130.5                                 | 9 105 625 | 9 105 626 | 30 ea. |
| 15 <sup>3</sup> / <sub>4</sub> / 400                | 16 <sup>3</sup> / <sub>4</sub>        | 74                      | 224                   | 249.5                                 | 150.5                                 | 9 105 627 | 9 105 628 | 30 ea. |
| 16 <sup>1</sup> / <sub>2</sub> / 420                | 17 <sup>1</sup> / <sub>2</sub>        | 74                      | 224                   | 283.5                                 | 136.5                                 | 9 125 225 | 9 125 226 | 30 ea. |
| 17 <sup>11</sup> / <sub>16</sub> / 450              | 18 <sup>11</sup> / <sub>16</sub>      | 86                      | 256                   | 283.5                                 | 166.5                                 | 9 105 629 | 9 105 630 | 30 ea. |
| 18 <sup>7</sup> / <sub>8</sub> / 480                | 19 <sup>7</sup> / <sub>8</sub>        | 86                      | 256                   | 309.5                                 | 170.5                                 | 9 125 227 | 9 125 228 | 30 ea. |
| 19 <sup>11</sup> / <sub>16</sub> / 500              | 20 <sup>11</sup> / <sub>16</sub>      | 98                      | 288                   | 309.5                                 | 190.5                                 | 9 105 631 | 9 105 632 | 30 ea. |
| 20 <sup>15</sup> / <sub>32</sub> / 520              | 21 <sup>15</sup> / <sub>32</sub>      | 98                      | 288                   | 338,5                                 | 181,5                                 | 9 135 709 | 9 135 710 | 30 ea. |
| 21 <sup>5</sup> / <sub>8</sub> / 550                | 22 <sup>5</sup> / <sub>8</sub>        | 98                      | 320                   | 338.5                                 | 211.5                                 | 9 105 633 | 9 105 634 | 30 ea. |

- ▶ Using the plug reduces drawer length (NL) by 10 mm.

## Lift off guard for wooden drawers with plug on installation (Quadro 25)



- ▶ The optional lift off guard can be used for additionally securing wooden drawers for plug on installation
- ▶ plastic, grey

| Article | Order no. | PU      |
|---------|-----------|---------|
| left    | 9 155 280 | 200 ea. |
| right   | 9 155 281 | 200 ea. |

## Plug (Quadro 25 and Quadro 40)



- ▶ For drawers with flush bottom panel and pull-out shelves
- ▶ plastic

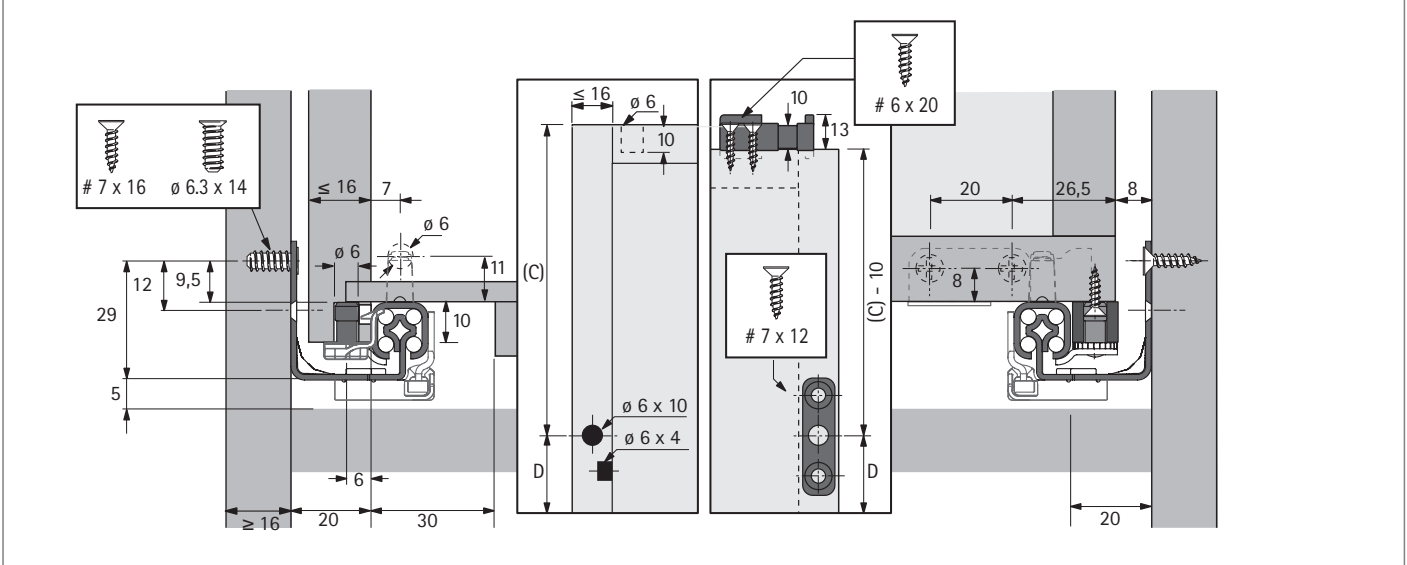
| Article | Colour | Order no. | PU      |
|---------|--------|-----------|---------|
| front   | beige  | 0 047 216 | 200 ea. |
| rear    | white  | 0 073 213 | 200 ea. |



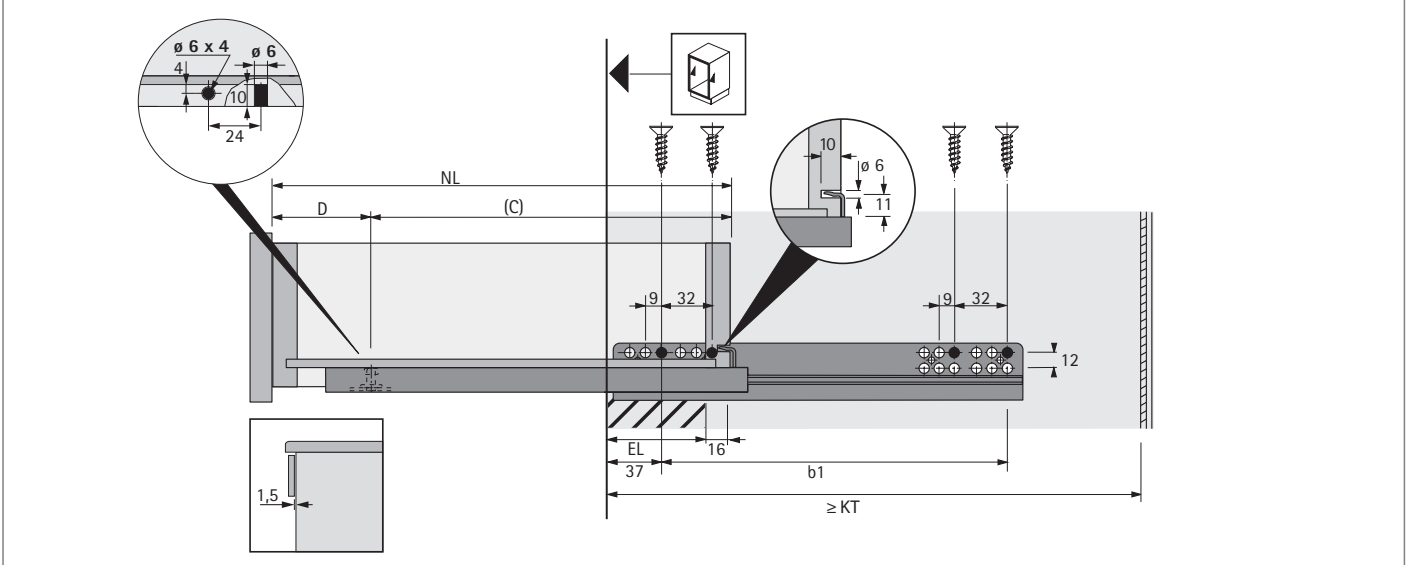
# Drawer runners for wooden drawers

- ▶ Quadro 25 partial extension runner with Silent System
- ▶ Loading capacity 75 lbs

## Planning dimensions



## Planning dimensions

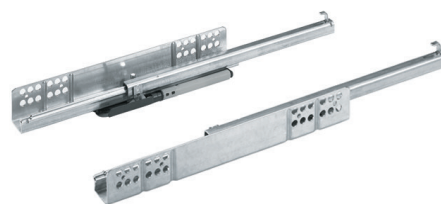


- ▶ For technical information, see pages 42 - 43, 46
- ▶ For accessories, see page 41

# Drawer runners for wooden drawers



- ▶ **Quadro 25 partial extension runner with Push to open**
- ▶ **Loading capacity 75 lbs**



- ▶ **Push to open** - the precision activating mechanism opens the drawer automatically and in virtual silence - a light press is all it takes!
- ▶ Simple plug on installation with tool-less height adjustment
- ▶ Load capacity to EN 15338, Level 3
- ▶ Galvanized steel, suitable for rooms exposed to moisture

## Quadro 25 with Push to open

| Nominal length /<br>drawer length<br>NL inches / mm | Minimum<br>carcase depth<br>KT inches | Extension<br>loss EL mm | Hole spacing<br>b1 mm | Drill hole spacing,<br>dimension C mm | Drill hole spacing,<br>dimension D mm | Order no. |           | PU     |
|---|---------------------------------------|-------------------------|-----------------------|---------------------------------------|---------------------------------------|-----------|-----------|--------|
|   |                                       |                         |                       |                                       |                                       | left      | right     |        |
| 10 / 250  | 11                                    | 50                      | 160                   | 188.5                                 | 61.5                                  | 9 111 275 | 9 111 276 | 24 ea. |
| 11 <sup>3</sup> / <sub>4</sub> / 300                | 12 <sup>3</sup> / <sub>4</sub>        | 50                      | 160                   | 188.5                                 | 111.5                                 | 9 099 942 | 9 099 943 | 24 ea. |
| 12 <sup>9</sup> / <sub>16</sub> / 320               | 13 <sup>9</sup> / <sub>16</sub>       | 62                      | 192                   | 221.5                                 | 98.5                                  | 9 099 944 | 9 099 945 | 24 ea. |
| 13 <sup>3</sup> / <sub>4</sub> / 350                | 14 <sup>3</sup> / <sub>4</sub>        | 62                      | 192                   | 221.5                                 | 128.5                                 | 9 099 946 | 9 099 947 | 24 ea. |
| 14 <sup>15</sup> / <sub>16</sub> / 380              | 15 <sup>15</sup> / <sub>16</sub>      | 62                      | 224                   | 249.5                                 | 130.5                                 | 9 099 948 | 9 099 949 | 24 ea. |
| 15 <sup>3</sup> / <sub>4</sub> / 400                | 16 <sup>3</sup> / <sub>4</sub>        | 74                      | 224                   | 249.5                                 | 150.5                                 | 9 099 950 | 9 099 952 | 24 ea. |
| 16 <sup>1</sup> / <sub>2</sub> / 420                | 17 <sup>1</sup> / <sub>2</sub>        | 74                      | 224                   | 283.5                                 | 136.5                                 | 9 119 510 | 9 119 511 | 24 ea. |
| 17 <sup>11</sup> / <sub>16</sub> / 450              | 18 <sup>11</sup> / <sub>16</sub>      | 86                      | 256                   | 283.5                                 | 166.5                                 | 9 099 953 | 9 099 954 | 24 ea. |
| 18 <sup>7</sup> / <sub>8</sub> / 480                | 19 <sup>7</sup> / <sub>8</sub>        | 86                      | 256                   | 309.5                                 | 170.5                                 | 9 119 512 | 9 119 513 | 24 ea. |
| 19 <sup>11</sup> / <sub>16</sub> / 500              | 20 <sup>11</sup> / <sub>16</sub>      | 98                      | 288                   | 309.5                                 | 190.5                                 | 9 099 955 | 9 099 956 | 24 ea. |
| 20 <sup>15</sup> / <sub>32</sub> / 520              | 21 <sup>15</sup> / <sub>32</sub>      | 98                      | 288                   | 338,5                                 | 181,5                                 | 9 135 732 | 9 135 733 | 24 ea. |
| 21 <sup>5</sup> / <sub>8</sub> / 550                | 22 <sup>5</sup> / <sub>8</sub>        | 98                      | 320                   | 338.5                                 | 211.5                                 | 9 111 277 | 9 111 278 | 24 ea. |

- ▶ Using the plug reduces drawer length (NL) by 10 mm.

## Lift off guard for wooden drawers with plug on installation (Quadro 25)



- ▶ The optional lift off guard can be used for additionally securing wooden drawers for plug on installation
- ▶ plastic, grey

| Article | Order no. | PU      |
|---------|-----------|---------|
| left    | 9 155 280 | 200 ea. |
| right   | 9 155 281 | 200 ea. |

## Plug (Quadro 25 and Quadro 40)



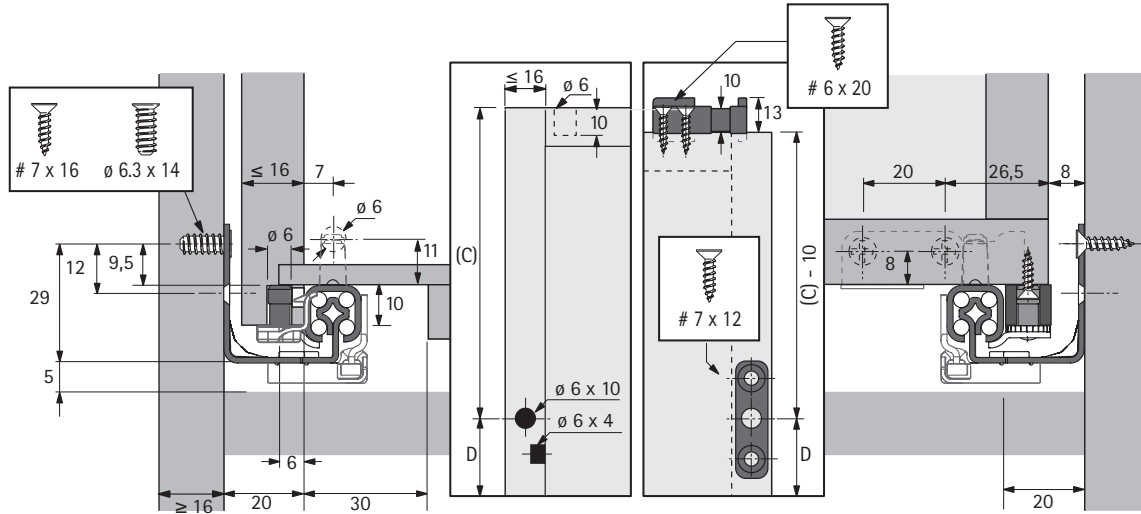
- ▶ For drawers with flush bottom panel and pull-out shelves
- ▶ plastic

| Article | Colour | Order no. | PU      |
|---------|--------|-----------|---------|
| front   | beige  | 0 047 216 | 200 ea. |
| rear    | white  | 0 073 213 | 200 ea. |

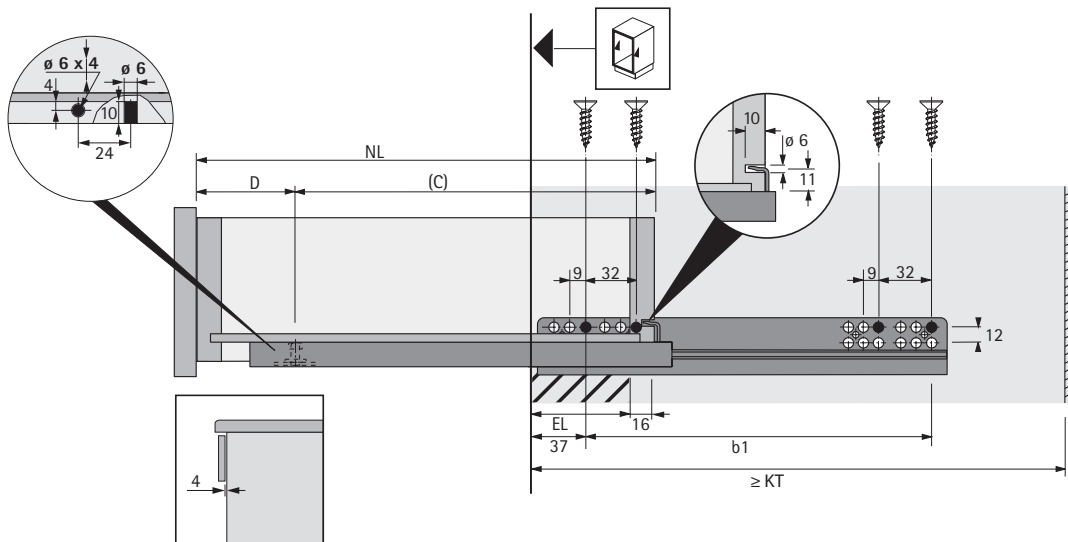
# Drawer runners for wooden drawers

- ▶ Quadro 25 partial extension runner with Push to open
- ▶ Loading capacity 75 lbs

## Planning dimensions



## Planning dimensions

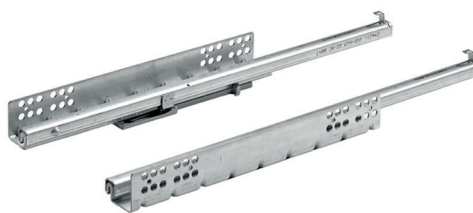


- ▶ For technical information, see pages 42 - 43, 46
- ▶ For accessories, see page 41

# Drawer runners for wooden drawers



- ▶ **Quadro 25 partial extension runner with Stop Control**
- ▶ **Loading capacity 75 lbs**



- ▶ **Stop Control** - integrated self closing mechanism for automatic closure
- ▶ Convenient slide on installation with catches and tool-less height adjustment
- ▶ Flexible interchangeable system - from Quadro partial to full extension runner without altering carcass, drawer and front panel dimensions
- ▶ Load capacity to EN 15338, Level 3
- ▶ Galvanized steel, suitable for rooms exposed to moisture

## Quadro 25 with Stop Control

| Nominal length /<br>drawer length<br>NL inches / mm | Minimum carcass<br>depth KT inches | Extension loss EL mm | Hole spacing b1 mm | Order no.   |             | PU     |
|---|------------------------------------|----------------------|--------------------|-------------|-------------|--------|
|   |                                    |                      |                    | left        | right       |        |
| 10 / 250  | 11                                 | 50                   | 160                | 9 105 635*  | 9 105 636*  | 30 ea. |
| 11 / 280  | 12                                 | 50                   | 160                | 9 105 637*  | 9 105 638*  | 30 ea. |
| 11 <sup>3</sup> / <sub>4</sub> / 300                | 12 <sup>3</sup> / <sub>4</sub>     | 50                   | 160                | 9 105 639*  | 9 105 640*  | 30 ea. |
| 12 <sup>9</sup> / <sub>16</sub> / 320               | 13 <sup>9</sup> / <sub>16</sub>    | 62                   | 192                | 9 105 641*  | 9 105 642*  | 30 ea. |
| 13 <sup>3</sup> / <sub>4</sub> / 350                | 14 <sup>3</sup> / <sub>4</sub>     | 62                   | 192                | 9 105 643*  | 9 105 644*  | 30 ea. |
| 14 <sup>15</sup> / <sub>16</sub> / 380              | 15 <sup>5</sup> / <sub>16</sub>    | 62                   | 224                | 9 191 944** | 9 191 945** | 30 ea. |
| 15 <sup>3</sup> / <sub>4</sub> / 400                | 16 <sup>3</sup> / <sub>4</sub>     | 74                   | 224                | 9 191 946** | 9 191 947** | 30 ea. |
| 17 <sup>11</sup> / <sub>16</sub> / 450              | 18 <sup>11</sup> / <sub>16</sub>   | 86                   | 256                | 9 191 948** | 9 191 949** | 30 ea. |
| 19 <sup>11</sup> / <sub>16</sub> / 500              | 20 <sup>11</sup> / <sub>16</sub>   | 98                   | 288                | 9 191 950** | 9 191 961** | 30 ea. |
| 21 <sup>5</sup> / <sub>8</sub> / 550                | 22 <sup>5</sup> / <sub>8</sub>     | 98                   | 320                | 9 191 962** | 9 191 963** | 30 ea. |

▶ Using the plug reduces drawer length (NL) by 10 mm.

\* Quadro 25 with round fixing holes

\*\* Quadro 25 with oblong fixing holes, please refer to lateral cut on page 19

## Catch for wooden drawers with grooved bottom panel (Quadro 25 and Quadro V6)



- ▶ For securely connecting the Quadro runner and wooden drawer without the need for tools
- ▶ Infinitely variable height adjustment up to + 2 mm at knurled wheel
- ▶ Plastic, black

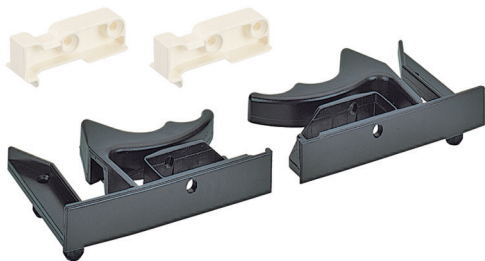
| Article      | Order no. | PU       |
|--------------|-----------|----------|
| left / right | 9 140 419 | 10 pair  |
| left / right | 9 140 418 | 100 pair |

# Drawer runners for wooden drawers



- ▶ Quadro 25 partial extension runner with Stop Control
- ▶ Loading capacity 75 lbs

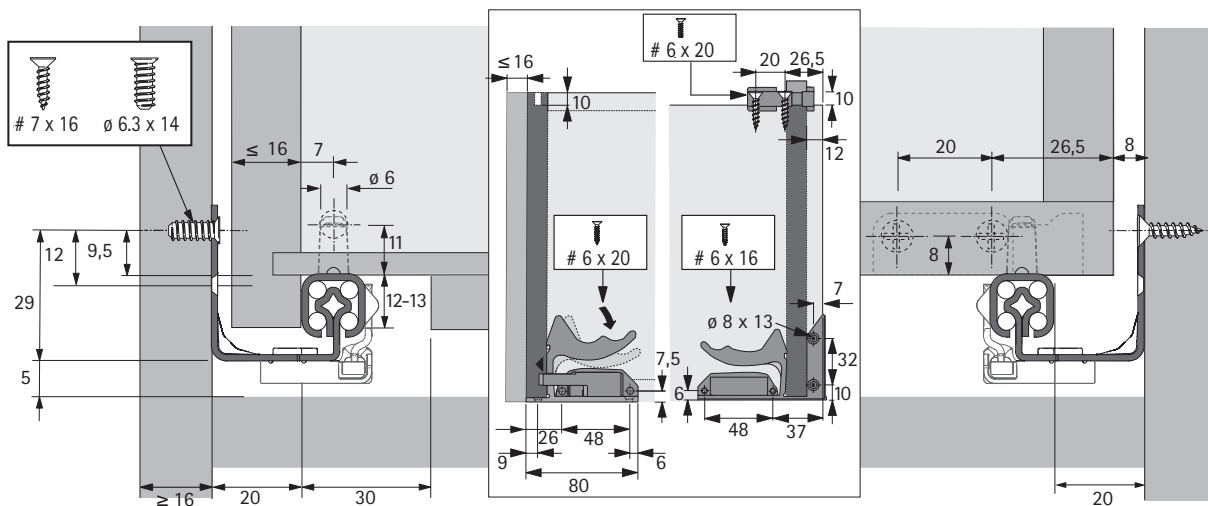
## Catch for pull-out shelves / wooden drawers with flush bottom panel (Quadro 25 and Quadro V6)



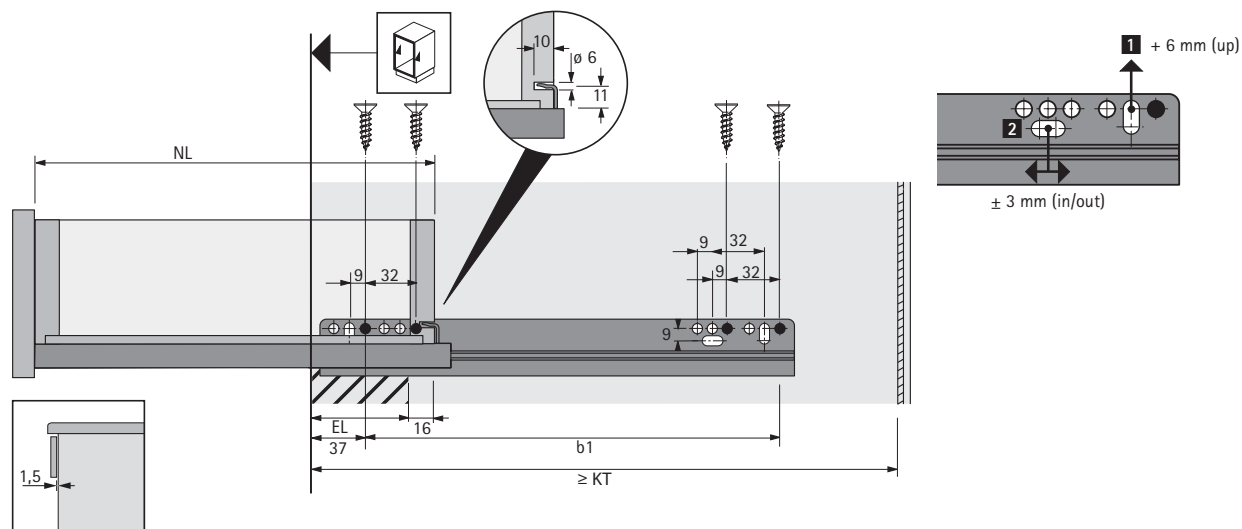
- ▶ For securely connecting Quadro runner and pull-out shelf / wooden drawer with flush bottom panel without the need for tools
- ▶ For pull-out shelves in a thickness of 16 - 19 mm
- ▶ Plastic, black
- ▶ Suitable for use with white rear plug (order no. 0 073 213)

| Article      | Order no.        | PU     |
|--------------|------------------|--------|
| left / right | <b>0 075 808</b> | 5 pair |

### Planning dimensions



### Planning dimensions



- ▶ For technical information, see pages 42 - 43, 46
- ▶ For accessories, see page 41

# Drawer runners for wooden drawers



- ▶ **Quadro 25 partial extension runner with Silent System**
- ▶ **Loading capacity 75 lbs**



- ▶ **Silent System** - the integrated Silent System closes the drawer quietly and gently
- ▶ Convenient slide on installation with catches and tool-less height adjustment
- ▶ Flexible interchangeable system - from Quadro partial to full extension runner without altering carcass, drawer and front panel dimensions
- ▶ Load capacity to EN 15338, Level 3
- ▶ Galvanized steel, suitable for rooms exposed to moisture

## Quadro 25 with Silent System

| Nominal length /<br>drawer length<br>NL inches / mm | Minimum carcass<br>depth KT inches | Extension loss EL mm | Hole spacing b1 mm | Order no.   |             | PU     |
|---|------------------------------------|----------------------|--------------------|-------------|-------------|--------|
|   |                                    |                      |                    | left        | right       |        |
| 10 / 250  | 11                                 | 50                   | 160                | 9 105 661*  | 9 105 662*  | 30 ea. |
| 11 / 280  | 12                                 | 50                   | 160                | 9 105 663*  | 9 105 664*  | 30 ea. |
| 11 <sup>3</sup> / <sub>4</sub> / 300                | 12 <sup>3</sup> / <sub>4</sub>     | 50                   | 160                | 9 105 665*  | 9 105 666*  | 30 ea. |
| 12 <sup>9</sup> / <sub>16</sub> / 320               | 13 <sup>9</sup> / <sub>16</sub>    | 62                   | 192                | 9 105 667*  | 9 105 668*  | 30 ea. |
| 13 <sup>3</sup> / <sub>4</sub> / 350                | 14 <sup>3</sup> / <sub>4</sub>     | 62                   | 192                | 9 105 669*  | 9 105 670*  | 30 ea. |
| 14 <sup>15</sup> / <sub>16</sub> / 380              | 15 <sup>15</sup> / <sub>16</sub>   | 62                   | 224                | 9 191 964** | 9 191 965** | 30 ea. |
| 15 <sup>3</sup> / <sub>4</sub> / 400                | 16 <sup>3</sup> / <sub>4</sub>     | 74                   | 224                | 9 191 966** | 9 191 967** | 30 ea. |
| 17 <sup>11</sup> / <sub>16</sub> / 450              | 18 <sup>11</sup> / <sub>16</sub>   | 86                   | 256                | 9 191 968** | 9 191 969** | 30 ea. |
| 19 <sup>11</sup> / <sub>16</sub> / 500              | 20 <sup>11</sup> / <sub>16</sub>   | 98                   | 288                | 9 191 970** | 9 191 991** | 30 ea. |
| 21 <sup>5</sup> / <sub>8</sub> / 550                | 22 <sup>5</sup> / <sub>8</sub>     | 98                   | 320                | 9 191 992** | 9 191 993** | 30 ea. |

- ▶ Using the plug reduces drawer length (NL) by 10 mm.

\* Quadro 25 with round fixing holes

\*\* Quadro 25 with oblong fixing holes, please refer to lateral cut on page 21

## Catch for wooden drawers with grooved bottom panel (Quadro 25 and Quadro V6)



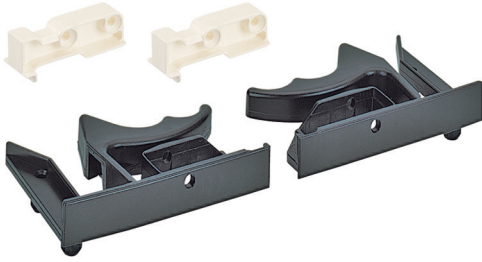
- ▶ For securely connecting the Quadro runner and wooden drawer without the need for tools
- ▶ Infinitely variable height adjustment up to + 2 mm at knurled wheel
- ▶ Plastic, black

| Article      | Order no. | PU       |
|--------------|-----------|----------|
| left / right | 9 140 419 | 10 pair  |
| left / right | 9 140 418 | 100 pair |

# Drawer runners for wooden drawers

- ▶ Quadro 25 partial extension runner with Silent System
- ▶ Loading capacity 75 lbs

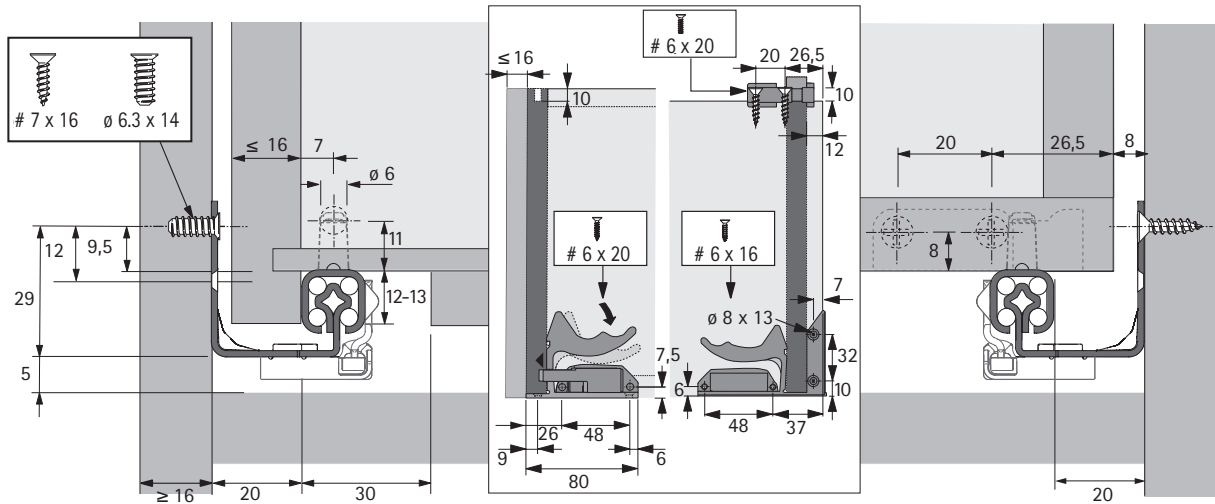
## Catch for pull-out shelves / wooden drawers with flush bottom panel (Quadro 25 and Quadro V6)



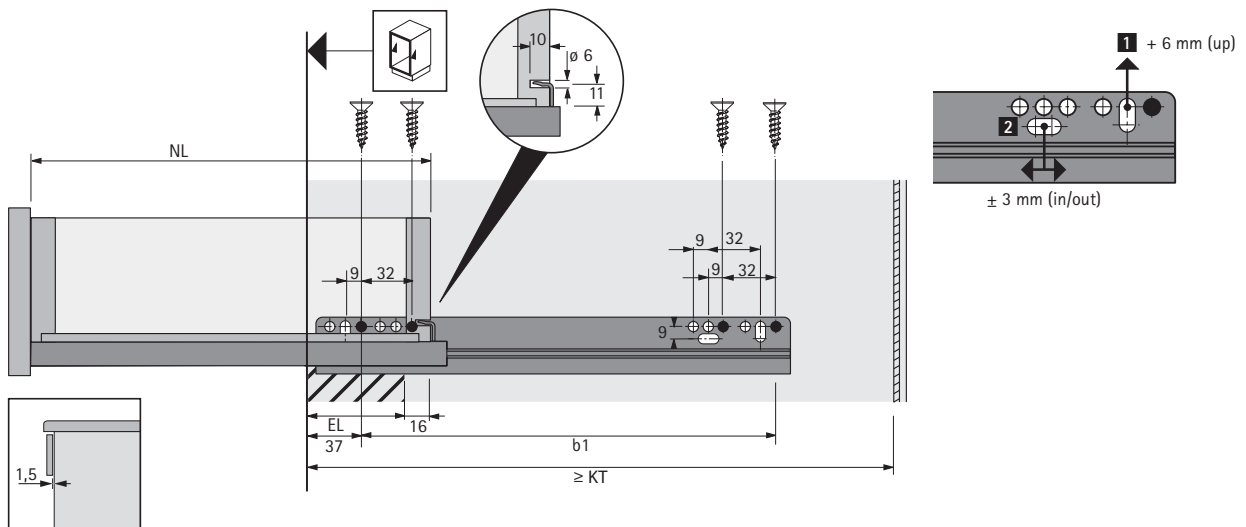
- ▶ For securely connecting Quadro runner and pull-out shelf / wooden drawer with flush bottom panel without the need for tools
- ▶ For pull-out shelves in a thickness of 16 - 19 mm
- ▶ Plastic, black
- ▶ Suitable for use with white rear plug (order no. 0 073 213)

| Article      | Order no. | PU     |
|--------------|-----------|--------|
| left / right | 0 075 808 | 5 pair |

### Planning dimensions



### Planning dimensions

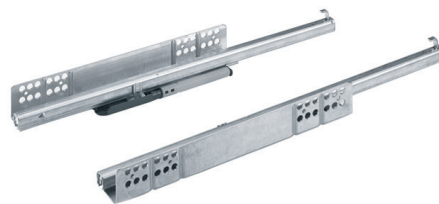


- ▶ For technical information, see pages 42 - 43, 46
- ▶ For accessories, see page 41

# Drawer runners for wooden drawers



- ▶ **Quadro 25 partial extension runner with Push to open**
- ▶ **Loading capacity 75 lbs**



- ▶ **Push to open** - the precision activating mechanism opens the drawer automatically and in virtual silence - a light press is all it takes!
- ▶ Convenient slide on installation with catches and tool-less height adjustment
- ▶ Flexible interchangeable system - from Quadro partial to full extension runner without altering carcass, drawer and front panel dimensions
- ▶ Load capacity to EN 15338, Level 3
- ▶ Galvanized steel, suitable for rooms exposed to moisture

## Quadro 25 with Push to open

| Nominal length /<br>drawer length<br>NL inches / mm | Minimum carcass<br>depth KT inches | Extension loss EL mm | Hole spacing b1 mm | Order no. |           | PU     |
|---|------------------------------------|----------------------|--------------------|-----------|-----------|--------|
|   |                                    |                      |                    | left      | right     |        |
| 10 / 250  | 11                                 | 50                   | 160                | 9 111 305 | 9 111 306 | 24 ea. |
| 11 <sup>3</sup> / <sub>4</sub> / 300                | 12 <sup>3</sup> / <sub>4</sub>     | 50                   | 160                | 9 099 957 | 9 099 958 | 24 ea. |
| 12 <sup>9</sup> / <sub>16</sub> / 320               | 13 <sup>9</sup> / <sub>16</sub>    | 62                   | 192                | 9 099 959 | 9 099 960 | 24 ea. |
| 13 <sup>3</sup> / <sub>4</sub> / 350                | 14 <sup>3</sup> / <sub>4</sub>     | 62                   | 192                | 9 099 961 | 9 099 962 | 24 ea. |
| 14 <sup>15</sup> / <sub>16</sub> / 380              | 15 <sup>15</sup> / <sub>16</sub>   | 62                   | 224                | 9 099 963 | 9 099 964 | 24 ea. |
| 15 <sup>3</sup> / <sub>4</sub> / 400                | 16 <sup>3</sup> / <sub>4</sub>     | 74                   | 224                | 9 099 965 | 9 099 966 | 24 ea. |
| 16 <sup>1</sup> / <sub>2</sub> / 420                | 17 <sup>1</sup> / <sub>2</sub>     | 74                   | 224                | 9 126 649 | 9 126 650 | 24 ea. |
| 17 <sup>11</sup> / <sub>16</sub> / 450              | 18 <sup>11</sup> / <sub>16</sub>   | 86                   | 256                | 9 099 967 | 9 099 968 | 24 ea. |
| 18 <sup>7</sup> / <sub>8</sub> / 480                | 19 <sup>7</sup> / <sub>8</sub>     | 86                   | 256                | 9 126 651 | 9 126 652 | 24 ea. |
| 19 <sup>11</sup> / <sub>16</sub> / 500              | 20 <sup>11</sup> / <sub>16</sub>   | 98                   | 288                | 9 099 969 | 9 099 970 | 24 ea. |
| 20 <sup>15</sup> / <sub>32</sub> / 520              | 21 <sup>15</sup> / <sub>32</sub>   | 98                   | 288                | 9 111 309 | 9 111 310 | 24 ea. |
| 21 <sup>5</sup> / <sub>8</sub> / 550                | 22 <sup>5</sup> / <sub>8</sub>     | 98                   | 320                | 9 111 311 | 9 111 312 | 24 ea. |

- ▶ Using the plug reduces drawer length (NL) by 10 mm.

## Catch for wooden drawers with grooved bottom panel (Quadro 25 and Quadro V6)



- ▶ For securely connecting the Quadro runner and wooden drawer without the need for tools
- ▶ Infinitely variable height adjustment up to + 2 mm at knurled wheel
- ▶ Plastic, black

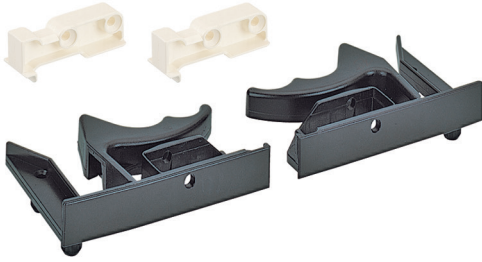
| Article      | Order no. | PU       |
|--------------|-----------|----------|
| left / right | 9 140 419 | 10 pair  |
| left / right | 9 140 418 | 100 pair |



# Drawer runners for wooden drawers

- ▶ Quadro 25 partial extension runner with Push to open
- ▶ Loading capacity 75 lbs

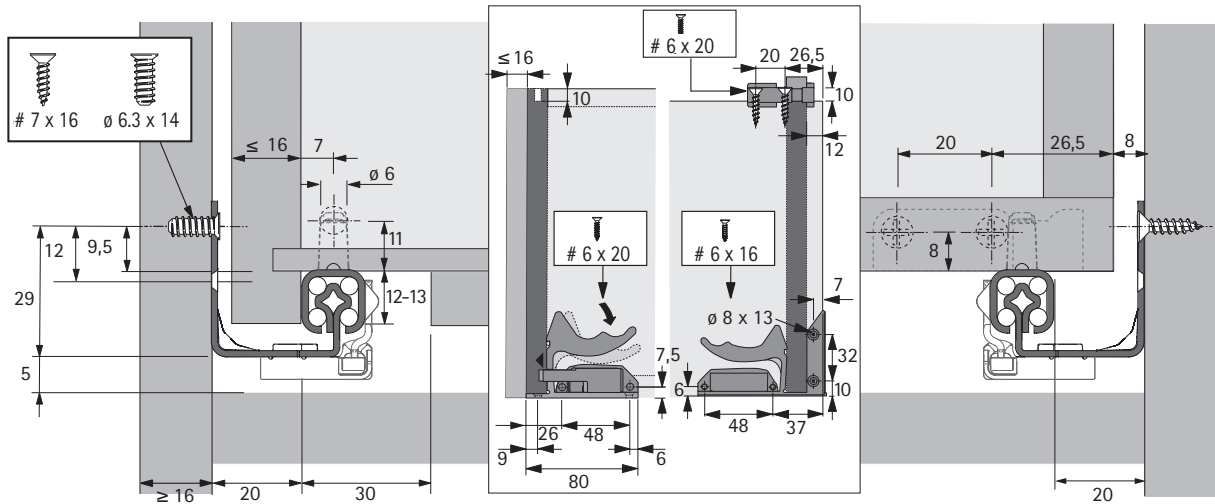
## Catch for wooden drawers with grooved bottom panel (Quadro 25 and Quadro V6)



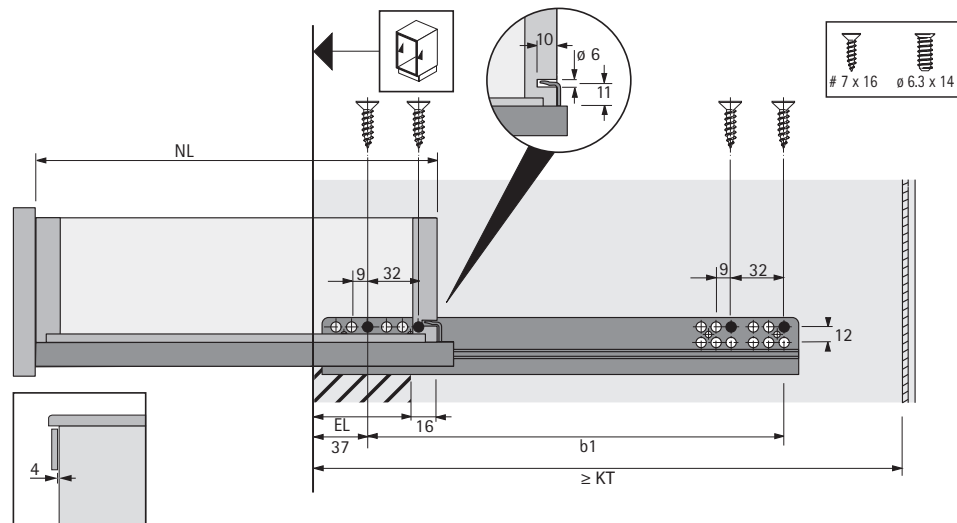
- ▶ For securely connecting Quadro runner and pull-out shelf / wooden drawer with flush bottom panel without the need for tools
- ▶ For pull-out shelves in a thickness of 16 - 19 mm
- ▶ Plastic, black
- ▶ Suitable for use with white rear plug (order no. 0 073 213)

| Article      | Order no.        | PU     |
|--------------|------------------|--------|
| left / right | <b>0 075 808</b> | 5 pair |

### Planning dimensions



### Planning dimensions



- ▶ For technical information, see pages 42 - 43, 46
- ▶ For accessories, see page 41

# Drawer runners for wooden drawers



- ▶ **Quadro V6 full extension runner with Silent System**
- ▶ **Loading capacity 90 lbs**



- ▶ **Silent System** - the integrated Silent System closes the drawer quietly and gently
- ▶ Convenient slide on installation with catches and tool-less height adjustment
- ▶ Load capacity to EN 15338, Level 3
- ▶ Galvanized steel, suitable for rooms exposed to moisture

## Quadro V6 with Silent System

| Nominal length /<br>drawer length<br>NL inches / mm | Minimum carcass<br>depth KT inches | Hole spacing b1 mm | Hole spacing b2 mm<br>optional | Order no. |           | PU     |
|---|------------------------------------|--------------------|--------------------------------|-----------|-----------|--------|
|   |                                    |                    |                                | left      | right     |        |
| 10 / 250  | 11                                 | 142                |                                | 9 049 306 | 9 049 307 | 20 ea. |
| 11 / 280  | 12                                 | 160                |                                | 9 047 564 | 9 047 566 | 20 ea. |
| 11 <sup>3</sup> / <sub>4</sub> / 300                | 12 <sup>3</sup> / <sub>4</sub>     | 192                |                                | 9 047 647 | 9 047 648 | 20 ea. |
| 12 <sup>9</sup> / <sub>16</sub> / 320               | 13 <sup>9</sup> / <sub>16</sub>    | 192                |                                | 9 047 651 | 9 047 652 | 20 ea. |
| 13 <sup>3</sup> / <sub>4</sub> / 350                | 14 <sup>3</sup> / <sub>4</sub>     | 192                |                                | 9 047 662 | 9 047 666 | 20 ea. |
| 14 <sup>15</sup> / <sub>16</sub> / 380              | 15 <sup>15</sup> / <sub>16</sub>   | 224                |                                | 9 047 682 | 9 047 683 | 20 ea. |
| 15 <sup>3</sup> / <sub>4</sub> / 400                | 16 <sup>3</sup> / <sub>4</sub>     | 224                |                                | 9 047 735 | 9 047 736 | 20 ea. |
| 16 <sup>1</sup> / <sub>2</sub> / 420                | 17 <sup>1</sup> / <sub>2</sub>     | 224                |                                | 9 047 747 | 9 047 748 | 20 ea. |
| 17 <sup>11</sup> / <sub>16</sub> / 450              | 18 <sup>11</sup> / <sub>16</sub>   | 256                |                                | 9 047 751 | 9 047 752 | 20 ea. |
| 18 <sup>7</sup> / <sub>8</sub> / 480                | 19 <sup>7</sup> / <sub>8</sub>     | 256                |                                | 9 047 756 | 9 047 757 | 20 ea. |
| 19 <sup>11</sup> / <sub>16</sub> / 500              | 20 <sup>11</sup> / <sub>16</sub>   | 288                | 224                            | 9 047 770 | 9 047 771 | 20 ea. |
| 20 <sup>15</sup> / <sub>32</sub> / 520              | 21 <sup>15</sup> / <sub>32</sub>   | 288                | 224                            | 9 047 772 | 9 047 773 | 20 ea. |
| 21 <sup>5</sup> / <sub>8</sub> / 550                | 22 <sup>5</sup> / <sub>8</sub>     | 288                | 224                            | 9 047 774 | 9 047 775 | 20 ea. |
| 22 <sup>13</sup> / <sub>16</sub> / 580              | 23 <sup>13</sup> / <sub>16</sub>   | 352                |                                | 9 047 635 | 9 047 636 | 20 ea. |
| 23 <sup>5</sup> / <sub>8</sub> / 600                | 24 <sup>5</sup> / <sub>8</sub>     | 352                |                                | 9 047 625 | 9 047 626 | 20 ea. |

- ▶ Using the plug reduces drawer length (NL) by 10 mm.

## Catch for wooden drawers with grooved bottom panel (Quadro 25)

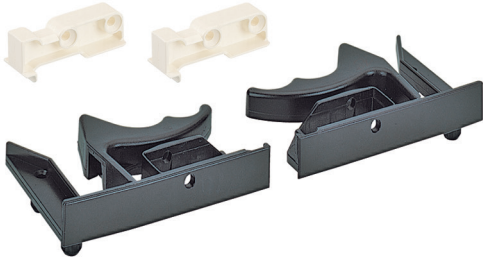


- ▶ For securely connecting the Quadro runner and wooden drawer without the need for tools
- ▶ Infinitely variable height adjustment up to + 2 mm at knurled wheel
- ▶ Plastic, black

| Article      | Order no. | PU       |
|--------------|-----------|----------|
| left / right | 9 140 419 | 10 pair  |
| left / right | 9 140 418 | 100 pair |

- ▶ Quadro V6 full extension runner with Silent System
- ▶ Loading capacity 90 lbs

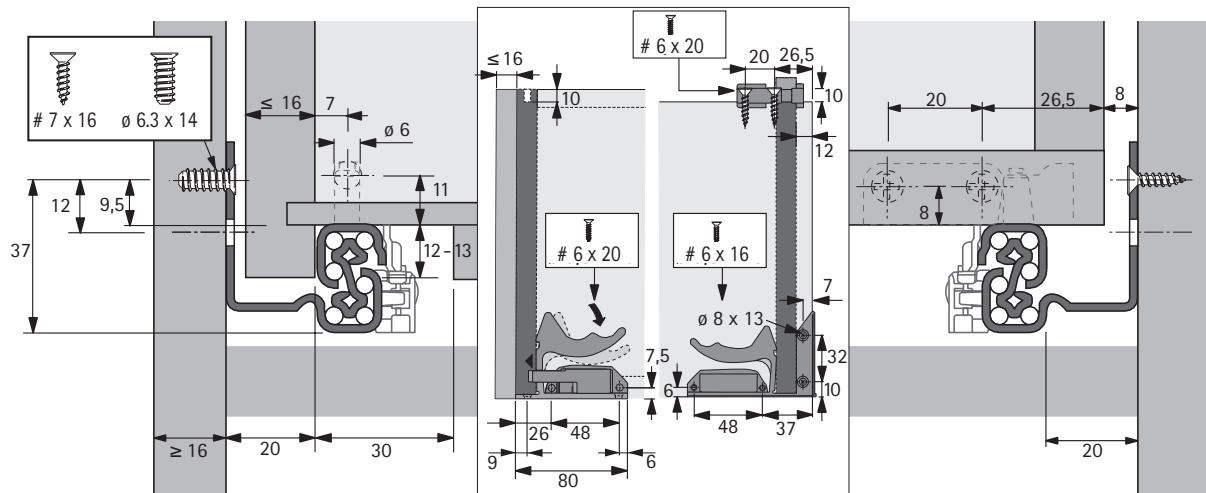
## Catch for pull-out shelves / wooden drawers with flush bottom panel (Quadro 25 and Quadro V6)



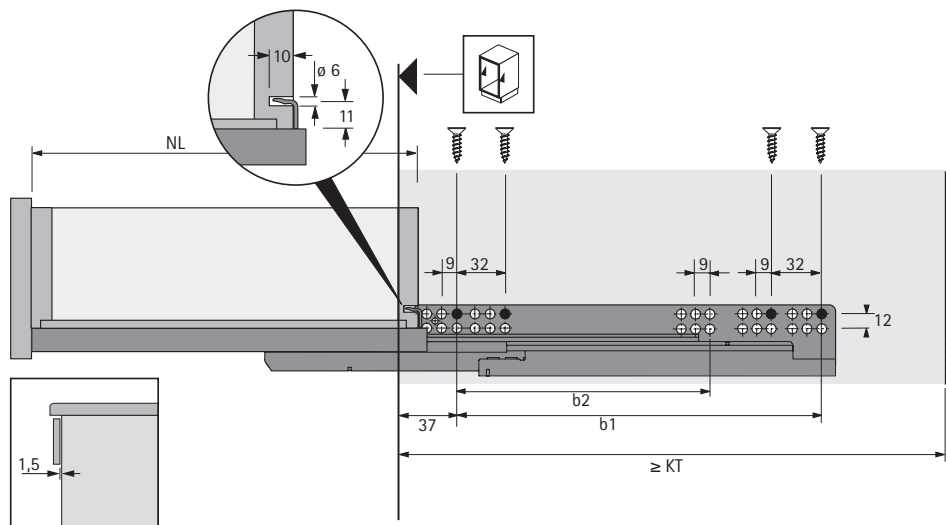
- ▶ For securely connecting Quadro runner and pull-out shelf / wooden drawer with flush bottom panel without the need for tools
- ▶ For pull-out shelves in a thickness of 16 - 19 mm
- ▶ Plastic, black
- ▶ Suitable for use with white rear plug (order no. 0 073 213)

| Article      | Order no.        | PU     |
|--------------|------------------|--------|
| left / right | <b>0 075 808</b> | 5 pair |

### Planning dimensions



### Planning dimensions

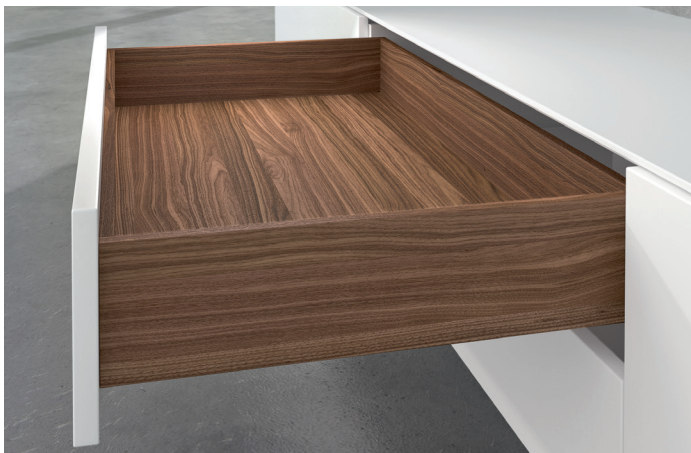


- ▶ For technical information, see pages 42 - 43
- ▶ For accessories, see page 41

# Drawer runners for wooden drawers



- ▶ **Quadro V6 full extension runner with Push to open**
- ▶ **Loading capacity 90 lbs**



- ▶ **Push to open** - the precision activating mechanism opens the drawer automatically and in virtual silence - a light press is all it takes!
- ▶ Convenient slide on installation with catches and tool-less height adjustment
- ▶ Load capacity to EN 15338, Level 3
- ▶ Galvanized steel, suitable for rooms exposed to moisture

## Quadro V6 with Push to open

| Nominal length /<br>drawer length<br>NL inches / mm | Minimum carcass<br>depth KT inches | Hole spacing b1 mm | Hole spacing b2 mm<br>optional | Order no. |           | PU     |
|---|------------------------------------|--------------------|--------------------------------|-----------|-----------|--------|
|   |                                    |                    |                                | left      | right     |        |
| 10 / 250  | 11                                 | 142                |                                | 9 111 359 | 9 111 360 | 20 ea. |
| 11 <sup>3</sup> / <sub>4</sub> / 300                | 12 <sup>2</sup> / <sub>4</sub>     | 192                |                                | 9 105 123 | 9 105 124 | 20 ea. |
| 12 <sup>9</sup> / <sub>16</sub> / 320               | 13 <sup>9</sup> / <sub>16</sub>    | 192                |                                | 9 105 940 | 9 105 941 | 20 ea. |
| 13 <sup>3</sup> / <sub>4</sub> / 350                | 14 <sup>3</sup> / <sub>4</sub>     | 192                |                                | 9 105 929 | 9 105 931 | 20 ea. |
| 14 <sup>15</sup> / <sub>16</sub> / 380              | 15 <sup>15</sup> / <sub>16</sub>   | 224                |                                | 9 105 915 | 9 105 916 | 20 ea. |
| 15 <sup>3</sup> / <sub>4</sub> / 400                | 16 <sup>3</sup> / <sub>4</sub>     | 224                |                                | 9 105 121 | 9 105 122 | 20 ea. |
| 16 <sup>1</sup> / <sub>2</sub> / 420                | 17 <sup>1</sup> / <sub>2</sub>     | 256                |                                | 9 118 374 | 9 118 375 | 20 ea. |
| 17 <sup>11</sup> / <sub>16</sub> / 450              | 18 <sup>11</sup> / <sub>16</sub>   | 256                |                                | 9 105 907 | 9 105 908 | 20 ea. |
| 18 <sup>7</sup> / <sub>8</sub> / 480                | 19 <sup>7</sup> / <sub>8</sub>     | 256                |                                | 9 127 049 | 9 127 050 | 20 ea. |
| 19 <sup>11</sup> / <sub>16</sub> / 500              | 20 <sup>11</sup> / <sub>16</sub>   | 288                | 224                            | 9 105 118 | 9 105 119 | 20 ea. |
| 20 <sup>15</sup> / <sub>32</sub> / 520              | 21 <sup>15</sup> / <sub>32</sub>   | 288                | 224                            | 9 111 357 | 9 111 358 | 20 ea. |
| 21 <sup>5</sup> / <sub>8</sub> / 550                | 22 <sup>5</sup> / <sub>8</sub>     | 288                | 224                            | 9 111 355 | 9 111 356 | 20 ea. |
| 22 <sup>13</sup> / <sub>16</sub> / 580              | 23 <sup>13</sup> / <sub>16</sub>   | 352                |                                | 9 212 276 | 9 212 277 | 20 ea. |
| 23 <sup>5</sup> / <sub>8</sub> / 600                | 24 <sup>5</sup> / <sub>8</sub>     | 352                |                                | 9 212 278 | 9 212 279 | 20 ea. |

- ▶ Using the plug reduces drawer length (NL) by 10 mm.

## Catch for wooden drawers with grooved bottom panel (Quadro 25 and Quadro V6)



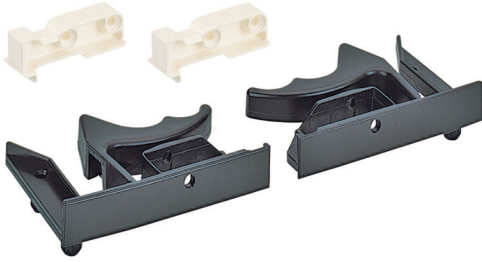
- ▶ For securely connecting the Quadro runner and wooden drawer without the need for tools
- ▶ Infinitely variable height adjustment up to + 2 mm at knurled wheel
- ▶ Plastic, black

| Article      | Order no. | PU       |
|--------------|-----------|----------|
| left / right | 9 140 419 | 10 pair  |
| left / right | 9 140 418 | 100 pair |

# Drawer runners for wooden drawers

- ▶ Quadro V6 full extension runner with Push to open
- ▶ Loading capacity 90 lbs

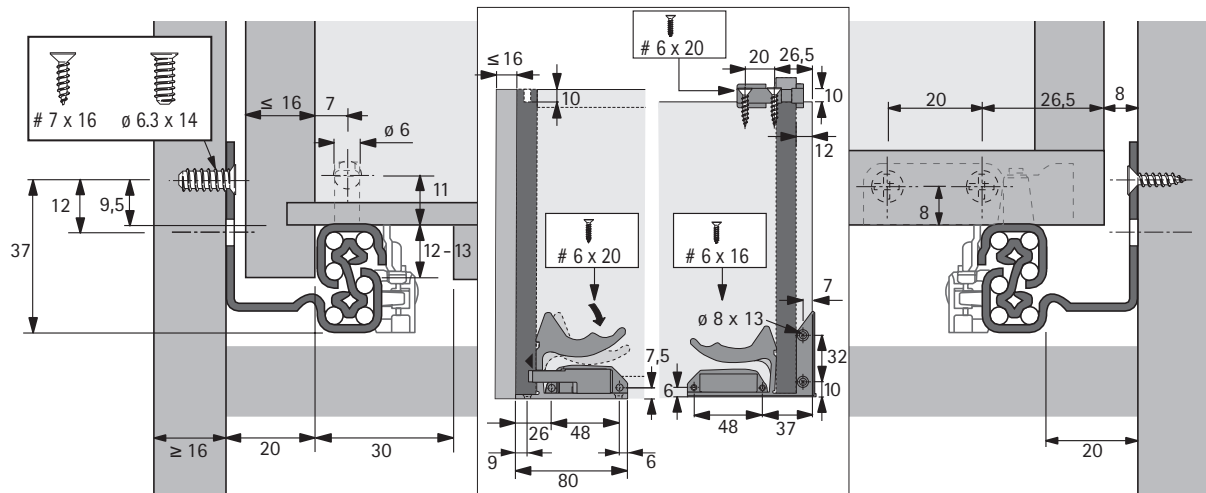
## Catch for pull-out shelves / wooden drawers with flush bottom panel (Quadro 25 and Quadro V6)



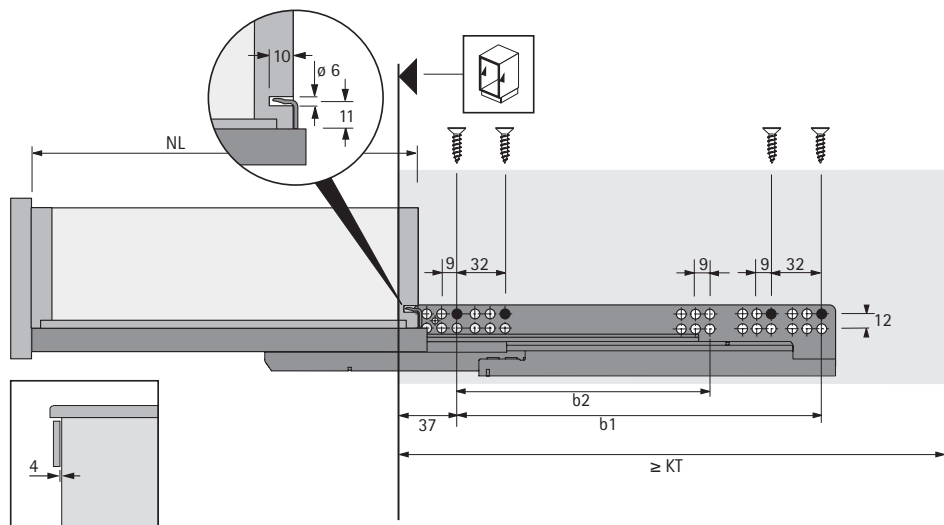
- ▶ For securely connecting Quadro runner and pull-out shelf / wooden drawer with flush bottom panel without the need for tools
- ▶ For pull-out shelves in a thickness of 16 - 19 mm
- ▶ Plastic, black
- ▶ Suitable for use with rear white plug (order no. 0 073 213)

| Article      | Order no.        | PU     |
|--------------|------------------|--------|
| left / right | <b>0 075 808</b> | 5 pair |

### Planning dimensions



### Planning dimensions



- ▶ For technical information, see pages 42 - 43
- ▶ For accessories, see page 41

# Drawer runners for wooden drawers



- ▶ **Quadro 4D V6 full extension runner with Silent System**
- ▶ **Loading capacity 90 lbs**



- ▶ **Silent System** - the integrated Silent System closes the drawer quietly and gently
- ▶ Convenient slide on installation with 4D catches and tilt adjustment
- ▶ Optionally upgradable with **Push to open Silent**: convenient opening mechanism in combination with silent and soft closing, see pages 42 - 43
- ▶ Tool-less, intuitive height adjustment up to + 2 mm, side adjustment up to +/- 1.5 mm, depth adjustment up to +/- 2 mm and tilt adjustment
- ▶ Load capacity to EN 15338, Level 3
- ▶ Galvanized steel, suitable for rooms exposed to moisture

## Quadro 4D V6 with Silent System

| Nominal length /<br>drawer length<br>NL inches / mm | Minimum carcass<br>depth KT inches | Hole spacing<br>b1 mm | Hole spacing b2 mm<br>(optional instead of b1) | Order no. |           | PU     |
|---|------------------------------------|-----------------------|--|-----------|-----------|--------|
|   |                                    |                       |  | left      | right     |        |
| 10 / 250  | 11                                 | 142                   |  | 9 245 347 | 9 245 348 | 20 ea. |
| 11 / 280  | 12                                 | 160                   |  | 9 245 349 | 9 245 350 | 10 ea. |
| 11 <sup>3</sup> / <sub>4</sub> / 300                | 12 <sup>3</sup> / <sub>4</sub>     | 192                   |  | 9 245 351 | 9 245 352 | 10 ea. |
| 12 <sup>9</sup> / <sub>16</sub> / 320               | 13 <sup>9</sup> / <sub>16</sub>    | 192                   |  | 9 245 353 | 9 245 354 | 10 ea. |
| 13 <sup>3</sup> / <sub>4</sub> / 350                | 14 <sup>3</sup> / <sub>4</sub>     | 192                   |  | 9 245 355 | 9 245 356 | 10 ea. |
| 14 <sup>15</sup> / <sub>16</sub> / 380              | 15 <sup>15</sup> / <sub>16</sub>   | 224                   |  | 9 245 357 | 9 245 358 | 10 ea. |
| 15 <sup>3</sup> / <sub>4</sub> / 400                | 16 <sup>3</sup> / <sub>4</sub>     | 224                   |  | 9 245 359 | 9 245 360 | 10 ea. |
| 16 <sup>1</sup> / <sub>2</sub> / 420                | 17 <sup>1</sup> / <sub>2</sub>     | 224                   |  | 9 245 361 | 9 245 362 | 10 ea. |
| 17 <sup>11</sup> / <sub>16</sub> / 450              | 18 <sup>11</sup> / <sub>16</sub>   | 256                   |  | 9 245 363 | 9 245 364 | 10 ea. |
| 18 <sup>7</sup> / <sub>8</sub> / 480                | 19 <sup>7</sup> / <sub>8</sub>     | 256                   |  | 9 245 365 | 9 245 366 | 10 ea. |
| 19 <sup>11</sup> / <sub>16</sub> / 500              | 20 <sup>11</sup> / <sub>16</sub>   | 288                   | 224  | 9 245 367 | 9 245 368 | 10 ea. |
| 20 <sup>15</sup> / <sub>32</sub> / 520              | 21 <sup>15</sup> / <sub>32</sub>   | 288                   | 224  | 9 245 369 | 9 245 370 | 10 ea. |
| 21 <sup>5</sup> / <sub>8</sub> / 550                | 22 <sup>5</sup> / <sub>8</sub>     | 288                   | 224  | 9 245 371 | 9 245 372 | 10 ea. |
| 22 <sup>13</sup> / <sub>16</sub> / 580              | 23 <sup>13</sup> / <sub>16</sub>   | 352                   |  | 9 245 373 | 9 245 374 | 10 ea. |
| 23 <sup>5</sup> / <sub>8</sub> / 600                | 24 <sup>5</sup> / <sub>8</sub>     | 352                   |  | 9 245 375 | 9 245 376 | 10 ea. |

## Catch for wooden drawers with grooved bottom panel



- ▶ For securely connecting the Quadro runner and wooden drawer without the need for tools
- ▶ Tool-less height adjustment up to + 2 mm and side adjustment up to +/- 1.5 mm
- ▶ Plastic, grey

| Article                 | Order no. | PU      |
|-------------------------|-----------|---------|
| Catch, Quadro 4D, left  | 9 183 185 | 100 ea. |
| Catch, Quadro 4D, right | 9 183 186 | 100 ea. |

## Tilt adjuster for wooden drawers with grooved bottom panel



- ▶ Large range within which the push-in hook can be inserted in the runner for safe installation, even when the adjustment range is fully used
- ▶ Tool-less tilt adjustment, conveniently achieved by pulling the drawer forward slightly on the runner
- ▶ Plastic, grey

| Article                         | Order no. | PU      |
|---------------------------------|-----------|---------|
| Tilt adjuster, Quadro 4D, left  | 9 205 924 | 100 ea. |
| Tilt adjuster, Quadro 4D, right | 9 205 925 | 100 ea. |

# Drawer runners for wooden drawers

- ▶ **Quadro 4D V6 full extension runner with Silent System**
- ▶ **Loading capacity 90 lbs**

## Distributor pack: Quadro 4D Front Fixing Clips and Spacers



- ▶ For securely connecting the Quadro runner and wooden drawer without the need for tools
- ▶ Tool-less height adjustment up to + 2 mm and side adjustment up to +/- 1.5 mm
- ▶ Plastic, grey

Distributor pack includes:

- ▶ 10 LH Front Fixing Clips
- ▶ 10 RH Front Fixing Clips
- ▶ 20 Spacers for 1/2" drawer box material

| Article          | Order no.        | PU      |
|------------------|------------------|---------|
| Distributor pack | <b>9 218 980</b> | 10 sets |

## Distributor pack: Quadro 4D Front Fixing Clips, Tilt Adjusters and Spacers



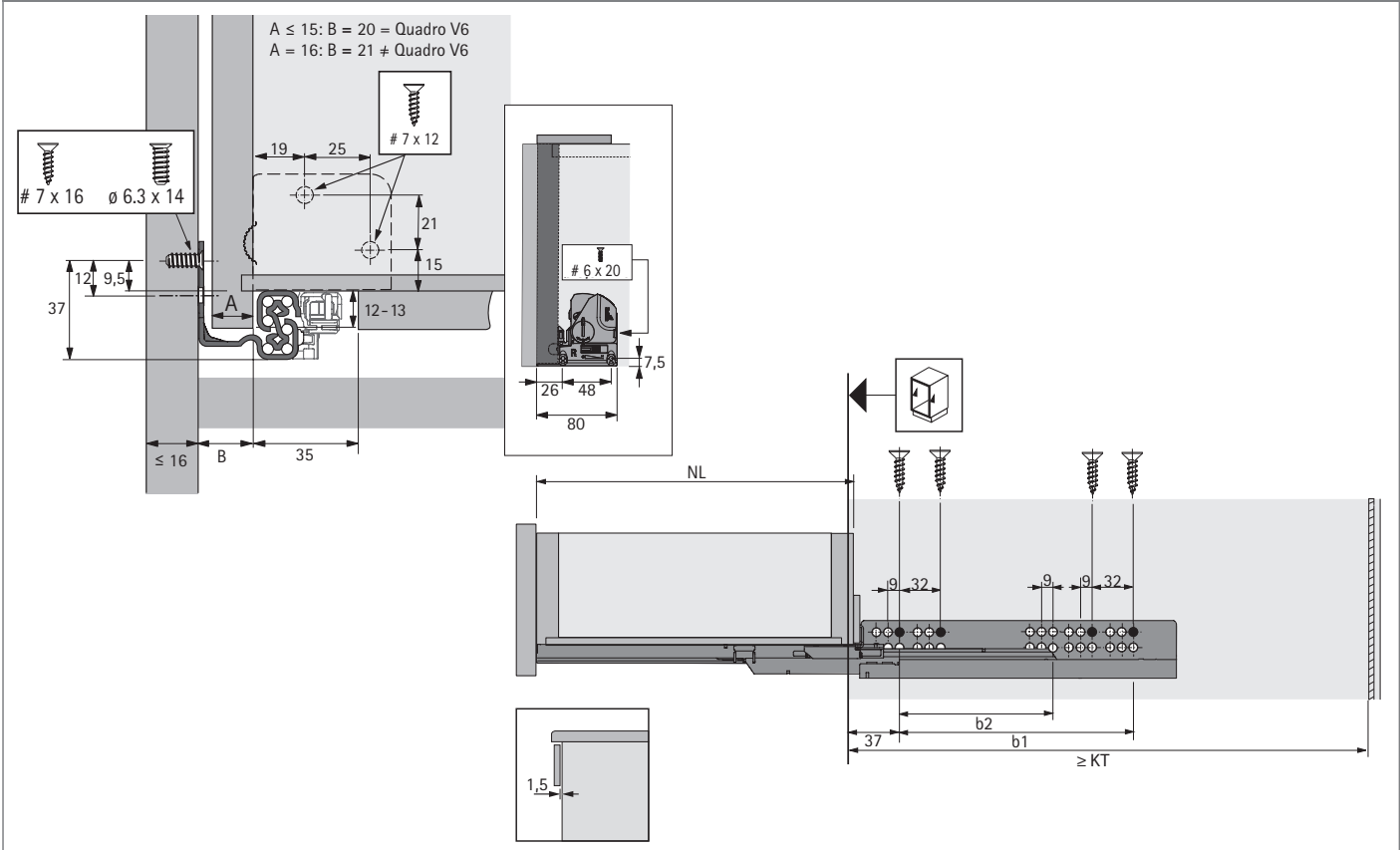
- ▶ Large range within which the push-in hook can be inserted in the runner for safe installation, even when the adjustment range is fully used
- ▶ Tool-less tilt adjustment, conveniently achieved by pulling the drawer forward slightly on the runner
- ▶ Plastic, grey

Distributor pack includes:

- ▶ 10 LH Front Fixing Clips
- ▶ 10 RH Front Fixing Clips
- ▶ 10 LH Tilt Adjusters
- ▶ 10 RH Tilt Adjusters
- ▶ 20 Spacers for 1/2" drawer box material

| Article          | Order no.        | PU      |
|------------------|------------------|---------|
| Distributor pack | <b>9 218 979</b> | 10 sets |

## Planning dimensions

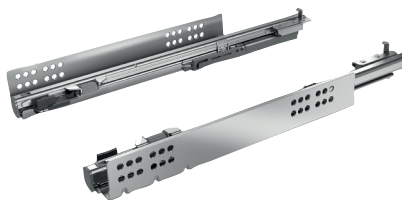


- ▶ For technical information, see pages 42, 44, 47
- ▶ For accessories, see page 41

# Drawer runners for wooden drawers



- ▶ **Quadro 4D V6 full extension runner with Push to open**
- ▶ **Loading capacity 90 lbs**



- ▶ **Push to open** – the precision activating mechanism opens the drawer automatically and in virtual silence – a light press is all it takes!
- ▶ Convenient slide on installation with catches
- ▶ Tool-less, intuitive height adjustment up to + 2 mm, side adjustment up to +/- 1.5 mm, depth adjustment up to + 4 mm and tilt adjustment
- ▶ Load capacity to EN 15338, Level 3
- ▶ Galvanized steel, suitable for rooms exposed to moisture

## Quadro 4D V6 with Push to open

| Nominal length /<br>drawer length<br>NL inches / mm | Minimum carcass<br>depth KT inches | Hole spacing<br>b1 mm | Hole spacing b2 mm<br>(optional instead of b1) | Order no. |           | PU     |
|---|------------------------------------|-----------------------|--|-----------|-----------|--------|
|   |                                    |                       |  | left      | right     |        |
| 10 / 250  | 11                                 | 142                   |  | 9 181 214 | 9 181 215 | 20 ea. |
| 11 <sup>3</sup> / <sub>4</sub> / 300                | 12 <sup>3</sup> / <sub>4</sub>     | 192                   |  | 9 181 218 | 9 181 219 | 10 ea. |
| 12 <sup>9</sup> / <sub>16</sub> / 320               | 13 <sup>9</sup> / <sub>16</sub>    | 192                   |  | 9 181 220 | 9 181 221 | 10 ea. |
| 13 <sup>3</sup> / <sub>4</sub> / 350                | 14 <sup>3</sup> / <sub>4</sub>     | 192                   |  | 9 181 222 | 9 181 223 | 10 ea. |
| 14 <sup>15</sup> / <sub>16</sub> / 380              | 15 <sup>15</sup> / <sub>16</sub>   | 224                   |  | 9 181 224 | 9 181 225 | 10 ea. |
| 15 <sup>3</sup> / <sub>4</sub> / 400                | 16 <sup>3</sup> / <sub>4</sub>     | 224                   |  | 9 181 226 | 9 181 227 | 10 ea. |
| 16 <sup>1</sup> / <sub>2</sub> / 420                | 17 <sup>1</sup> / <sub>2</sub>     | 224                   |  | 9 181 228 | 9 181 229 | 10 ea. |
| 17 <sup>11</sup> / <sub>16</sub> / 450              | 18 <sup>11</sup> / <sub>16</sub>   | 256                   |  | 9 181 230 | 9 181 231 | 10 ea. |
| 18 <sup>7</sup> / <sub>8</sub> / 480                | 19 <sup>7</sup> / <sub>8</sub>     | 256                   |  | 9 181 232 | 9 181 233 | 10 ea. |
| 19 <sup>11</sup> / <sub>16</sub> / 500              | 20 <sup>11</sup> / <sub>16</sub>   | 288                   | 224  | 9 181 234 | 9 181 235 | 10 ea. |
| 20 <sup>15</sup> / <sub>32</sub> / 520              | 21 <sup>15</sup> / <sub>32</sub>   | 288                   | 224  | 9 181 236 | 9 181 237 | 10 ea. |
| 21 <sup>5</sup> / <sub>8</sub> / 550                | 22 <sup>5</sup> / <sub>8</sub>     | 288                   | 224  | 9 181 238 | 9 181 239 | 10 ea. |
| 22 <sup>13</sup> / <sub>16</sub> / 580              | 23 <sup>13</sup> / <sub>16</sub>   | 352                   |  | 9 181 240 | 9 181 241 | 10 ea. |
| 23 <sup>5</sup> / <sub>8</sub> / 600                | 24 <sup>5</sup> / <sub>8</sub>     | 352                   |  | 9 181 242 | 9 181 243 | 10 ea. |

## Catch for wooden drawers with grooved bottom panel



- ▶ For securely connecting the Quadro runner and wooden drawer without the need for tools
- ▶ Tool-less height adjustment up to + 2 mm and side adjustment up to +/- 1.5 mm
- ▶ Plastic, grey

| Article                 | Order no. | PU      |
|-------------------------|-----------|---------|
| Catch, Quadro 4D, left  | 9 183 185 | 100 ea. |
| Catch, Quadro 4D, right | 9 183 186 | 100 ea. |

## Tilt adjuster for wooden drawers with grooved bottom panel



- ▶ Large range within which the push-in hook can be inserted in the runner for safe installation, even when the adjustment range is fully used
- ▶ Tool-less tilt adjustment, conveniently achieved by pulling the drawer forward slightly on the runner
- ▶ Plastic, grey

| Article                         | Order no. | PU      |
|---------------------------------|-----------|---------|
| Tilt adjuster, Quadro 4D, left  | 9 205 924 | 100 ea. |
| Tilt adjuster, Quadro 4D, right | 9 205 925 | 100 ea. |



# Drawer runners for wooden drawers

- ▶ Quadro 4D V6 full extension runner with Push to open
- ▶ Loading capacity 90 lbs

## Distributor pack: Quadro 4D Front Fixing Clips and Spacers



- ▶ For securely connecting the Quadro runner and wooden drawer without the need for tools
- ▶ Tool-less height adjustment up to + 2 mm and side adjustment up to +/- 1.5 mm
- ▶ Plastic, grey

Distributor pack includes:

- ▶ 10 LH Front Fixing Clips
- ▶ 10 RH Front Fixing Clips
- ▶ 20 Spacers for 1/2" drawer box material

| Article          | Order no. | PU      |
|------------------|-----------|---------|
| Distributor pack | 9 218 980 | 10 sets |

## Distributor pack: Quadro 4D Front Fixing Clips, Tilt Adjusters and Spacers



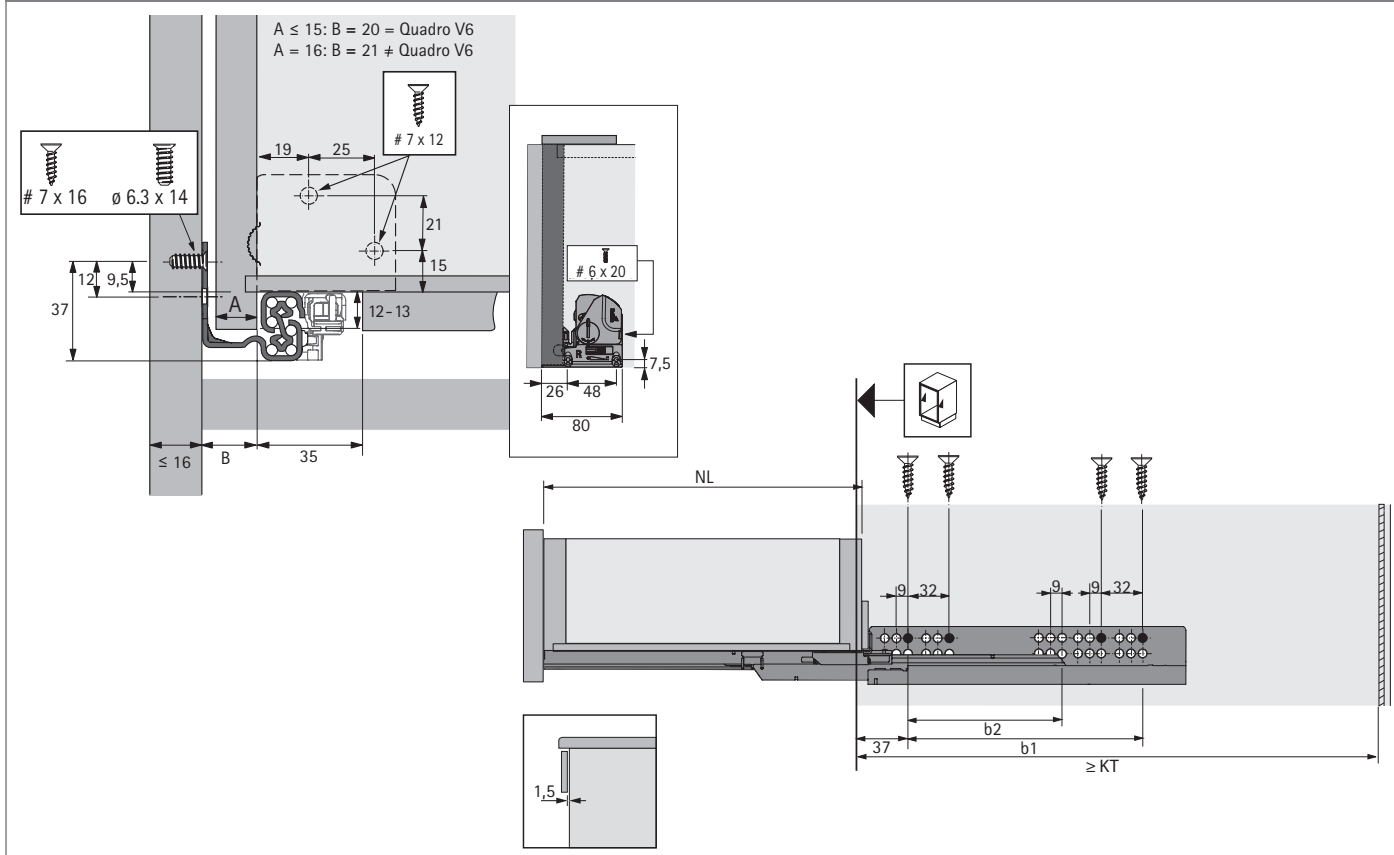
- ▶ Large range within which the push-in hook can be inserted in the runner for safe installation, even when the adjustment range is fully used
- ▶ Tool-less tilt adjustment, conveniently achieved by pulling the drawer forward slightly on the runner
- ▶ Plastic, grey

Distributor pack includes:

- ▶ 10 LH Front Fixing Clips
- ▶ 10 RH Front Fixing Clips
- ▶ 10 LH Tilt Adjusters
- ▶ 10 RH Tilt Adjusters
- ▶ 20 Spacers for 1/2" drawer box material

| Article          | Order no. | PU      |
|------------------|-----------|---------|
| Distributor pack | 9 218 979 | 10 sets |

## Planning dimensions

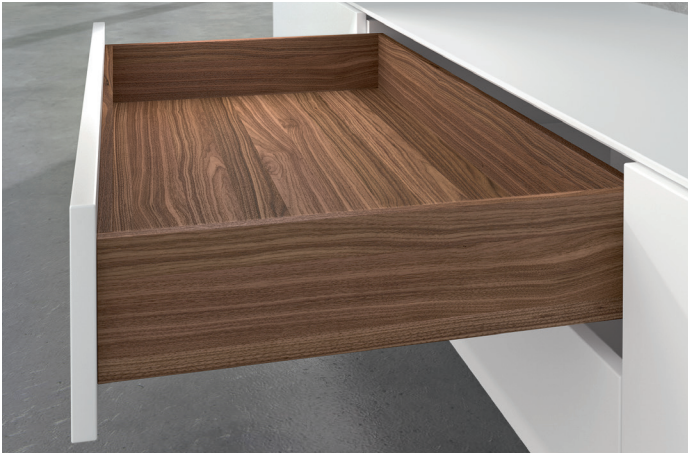


- ▶ For technical information, see pages 42, 44, 47
- ▶ For accessories, see page 41

# Drawer runners for wooden drawers



- ▶ **Quadro V6+ full extension runner with Silent System**
- ▶ **Loading capacity 110 lbs**



- ▶ **Silent System** - the integrated Silent System closes the drawer quietly and gently
- ▶ Convenient slide on installation with catches and tool-less height adjustment
- ▶ Load capacity to EN 15338, Level 3
- ▶ Galvanized steel, suitable for rooms exposed to moisture

## Quadro V6+ with Silent System

| Nominal length /<br>drawer length<br>NL inches / mm | Minimum carcass<br>depth KT inches | Hole spacing b1 mm | Hole spacing b2 mm | Order no. |           | PU     |
|---|------------------------------------|--------------------|--------------------|-----------|-----------|--------|
|   |                                    |                    |                    | left      | right     |        |
| 13 <sup>3</sup> / <sub>4</sub> / 350                | 14 <sup>3</sup> / <sub>4</sub>     | 192                | 21                 | 9 119 167 | 9 119 168 | 16 ea. |
| 14 <sup>15</sup> / <sub>16</sub> / 380              | 15 <sup>15</sup> / <sub>16</sub>   | 224                | 19                 | 9 119 191 | 9 119 192 | 16 ea. |
| 15 <sup>3</sup> / <sub>4</sub> / 400                | 16 <sup>3</sup> / <sub>4</sub>     | 224                | 32                 | 9 115 506 | 9 115 507 | 16 ea. |
| 16 <sup>1</sup> / <sub>2</sub> / 420                | 17 <sup>1</sup> / <sub>2</sub>     | 224                | 32                 | 9 119 193 | 9 119 194 | 16 ea. |
| 17 <sup>11</sup> / <sub>16</sub> / 450              | 18 <sup>11</sup> / <sub>16</sub>   | 256                | 32                 | 9 119 148 | 9 119 149 | 16 ea. |
| 18 <sup>7</sup> / <sub>8</sub> / 480                | 19 <sup>7</sup> / <sub>8</sub>     | 256                | 32                 | 9 119 195 | 9 119 196 | 8 ea.  |
| 19 <sup>11</sup> / <sub>16</sub> / 500              | 20 <sup>11</sup> / <sub>16</sub>   | 288                | 64                 | 9 115 580 | 9 115 581 | 8 ea.  |
| 20 <sup>15</sup> / <sub>32</sub> / 520              | 21 <sup>15</sup> / <sub>32</sub>   | 288                | 64                 | 9 119 197 | 9 119 198 | 8 ea.  |
| 21 <sup>5</sup> / <sub>8</sub> / 550                | 22 <sup>5</sup> / <sub>8</sub>     | 288                | 64                 | 9 119 162 | 9 119 164 | 8 ea.  |
| 22 <sup>13</sup> / <sub>16</sub> / 580              | 23 <sup>13</sup> / <sub>16</sub>   | 352                | 64                 | 9 119 199 | 9 119 200 | 8 ea.  |
| 23 <sup>5</sup> / <sub>8</sub> / 600                | 24 <sup>5</sup> / <sub>8</sub>     | 352                | 64                 | 9 115 538 | 9 115 539 | 8 ea.  |

## Catch for wooden drawers with grooved bottom panel (Quadro V6+)



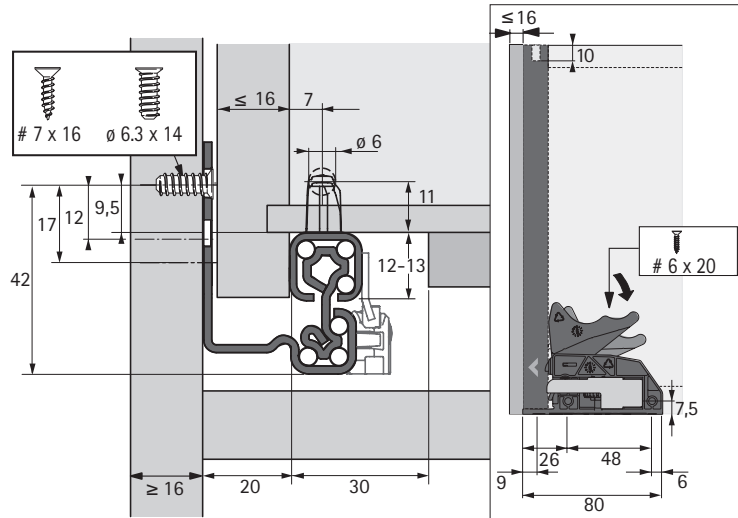
- ▶ For securely connecting the Quadro runner and wooden drawer without the need for tools
- ▶ Infinitely variable height adjustment up to + 2 mm at knurled wheel
- ▶ Plastic, black

| Article      | Order no. | PU     |
|--------------|-----------|--------|
| left / right | 9 117 492 | 5 pair |

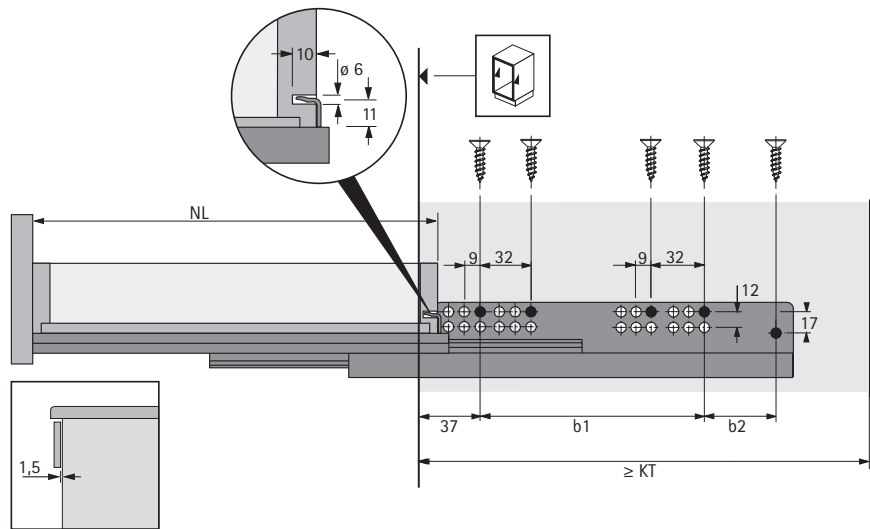
# Drawer runners for wooden drawers

- ▶ Quadro V6+ full extension runner with Silent System
- ▶ Loading capacity 110 lbs

## Planning dimensions



## Planning dimensions



- ▶ For technical information, see pages 43 - 44, 46
- ▶ For accessories, see page 41

# Drawer runners for wooden drawers



- ▶ **Quadro V6+ full extension runner with Push to open**
- ▶ **Load capacity 110 lbs**



- ▶ **Push to open** - the precision activating mechanism opens the drawer automatically and in virtual silence - a light press is all it takes!
- ▶ Convenient slide on installation with catches and tool-less height adjustment
- ▶ Load capacity to EN 15338, Level 3
- ▶ Galvanized steel, suitable for rooms exposed to moisture

## Quadro V6+ with Push to open

| Nominal length /<br>drawer length<br>NL inches / mm | Minimum carcass<br>depth KT inches | Hole spacing b1 mm | Hole spacing b2 mm | Order no. |           | PU     |
|---|------------------------------------|--------------------|--------------------|-----------|-----------|--------|
|   |                                    |                    |                    | left      | right     |        |
| 13 <sup>3</sup> / <sub>4</sub> / 350                | 14 <sup>3</sup> / <sub>4</sub>     | 192                | 21                 | 9 129 692 | 9 129 693 | 16 ea. |
| 14 <sup>15</sup> / <sub>16</sub> / 380              | 15 <sup>15</sup> / <sub>16</sub>   | 224                | 19                 | 9 129 700 | 9 129 701 | 16 ea. |
| 15 <sup>3</sup> / <sub>4</sub> / 400                | 16 <sup>3</sup> / <sub>4</sub>     | 224                | 32                 | 9 129 728 | 9 129 729 | 16 ea. |
| 16 <sup>1</sup> / <sub>2</sub> / 420                | 17 <sup>1</sup> / <sub>2</sub>     | 224                | 32                 | 9 129 736 | 9 129 737 | 16 ea. |
| 17 <sup>11</sup> / <sub>16</sub> / 450              | 18 <sup>11</sup> / <sub>16</sub>   | 256                | 32                 | 9 129 749 | 9 129 750 | 16 ea. |
| 18 <sup>7</sup> / <sub>8</sub> / 480                | 19 <sup>7</sup> / <sub>8</sub>     | 256                | 32                 | 9 129 757 | 9 129 758 | 8 ea.  |
| 19 <sup>11</sup> / <sub>16</sub> / 500              | 20 <sup>11</sup> / <sub>16</sub>   | 288                | 64                 | 9 129 779 | 9 129 780 | 8 ea.  |
| 20 <sup>15</sup> / <sub>32</sub> / 520              | 21 <sup>15</sup> / <sub>32</sub>   | 288                | 64                 | 9 129 789 | 9 129 790 | 8 ea.  |
| 21 <sup>5</sup> / <sub>8</sub> / 550                | 22 <sup>5</sup> / <sub>8</sub>     | 288                | 64                 | 9 129 375 | 9 129 376 | 8 ea.  |
| 22 <sup>13</sup> / <sub>16</sub> / 580              | 23 <sup>13</sup> / <sub>16</sub>   | 352                | 64                 | 9 129 800 | 9 129 801 | 8 ea.  |
| 23 <sup>5</sup> / <sub>8</sub> / 600                | 24 <sup>5</sup> / <sub>8</sub>     | 352                | 64                 | 9 129 821 | 9 129 822 | 8 ea.  |

## Catch for wooden drawers with grooved bottom panel (Quadro V6+)



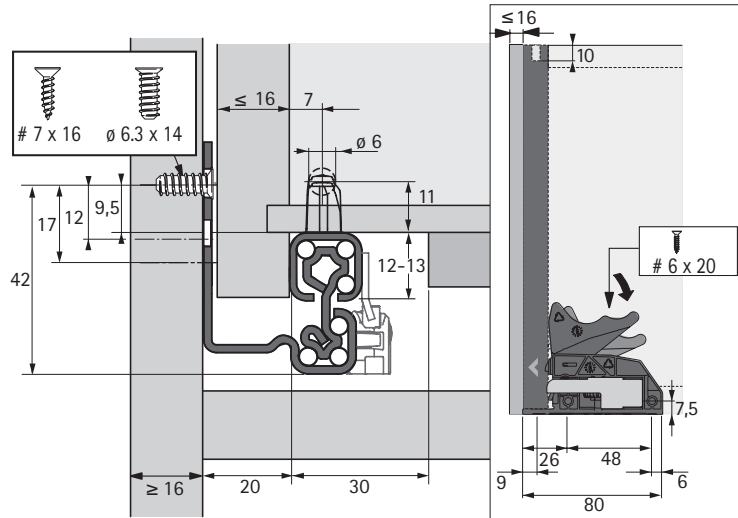
- ▶ For securely connecting the Quadro runner and wooden drawer without the need for tools
- ▶ Infinitely variable height adjustment up to + 2 mm at knurled wheel
- ▶ Plastic, black

| Hinge side of cabinet | Order no. | PU     |
|-----------------------|-----------|--------|
| left / right          | 9 117 492 | 5 pair |

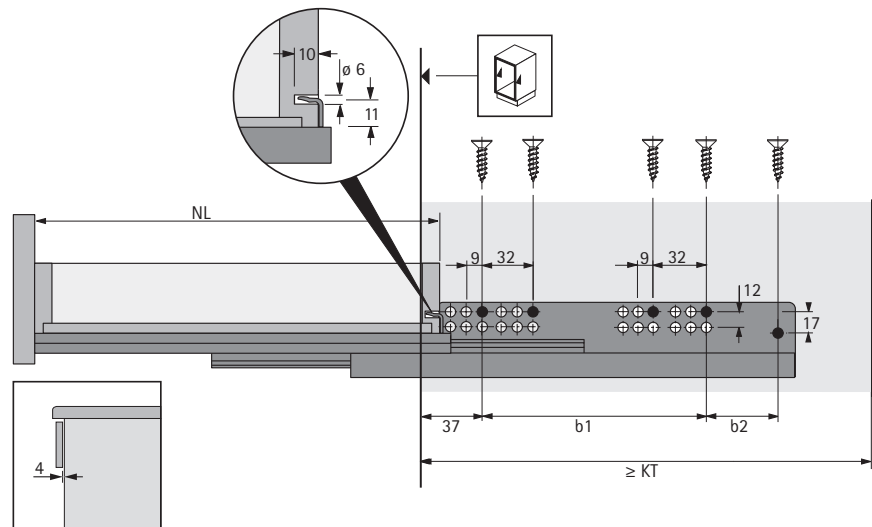
# Drawer runners for wooden drawers

- ▶ Quadro V6+ full extension runner with Push to open
- ▶ Load capacity 110 lbs

## Planning dimensions



## Planning dimensions



- ▶ For technical information, see pages 43 - 44, 46
- ▶ For accessories, see page 41

# Drawer runners for wooden drawers



- ▶ Quadro 40 partial extension runner for under base installation
- ▶ Load capacity 90 lbs



- ▶ Simple plug on installation and tool-less height adjustment
- ▶ Load capacity to EN 15338, Level 3
- ▶ Galvanized steel, suitable for rooms exposed to moisture

## Quadro 40

| Nominal length / drawer length NL inches / mm                               | Minimum carcass depth KT inches                                 | Extension loss EL mm | Hole spacing b1 mm | Drill hole spacing, cup distance C mm | Order no.        | PU     |
|---|---|----------------------|--------------------|---------------------------------------|------------------|--------|
| 10 <sup>5</sup> / <sub>8</sub> - 15 <sup>1</sup> / <sub>2</sub> / 270 - 395 | 11 <sup>1</sup> / <sub>8</sub> - 16                             | 75                   | 192                | 249.5                                 | <b>0 066 079</b> | 1 pair |
| 13 - 19 <sup>1</sup> / <sub>4</sub> / 330 - 490                             | 13 <sup>1</sup> / <sub>2</sub> - 20                             | 99                   | 256                | 309.5                                 | <b>0 066 075</b> | 1 pair |
| 18 - 26 <sup>3</sup> / <sub>4</sub> / 455 - 680                             | 18 <sup>1</sup> / <sub>2</sub> - 27 <sup>1</sup> / <sub>2</sub> | 147                  | 384                | 430                                   | <b>0 066 065</b> | 1 pair |

- ▶ Using the plug reduces the drawer length (NL) by 10 mm

## Plug (Quadro 25 and Quadro 40)



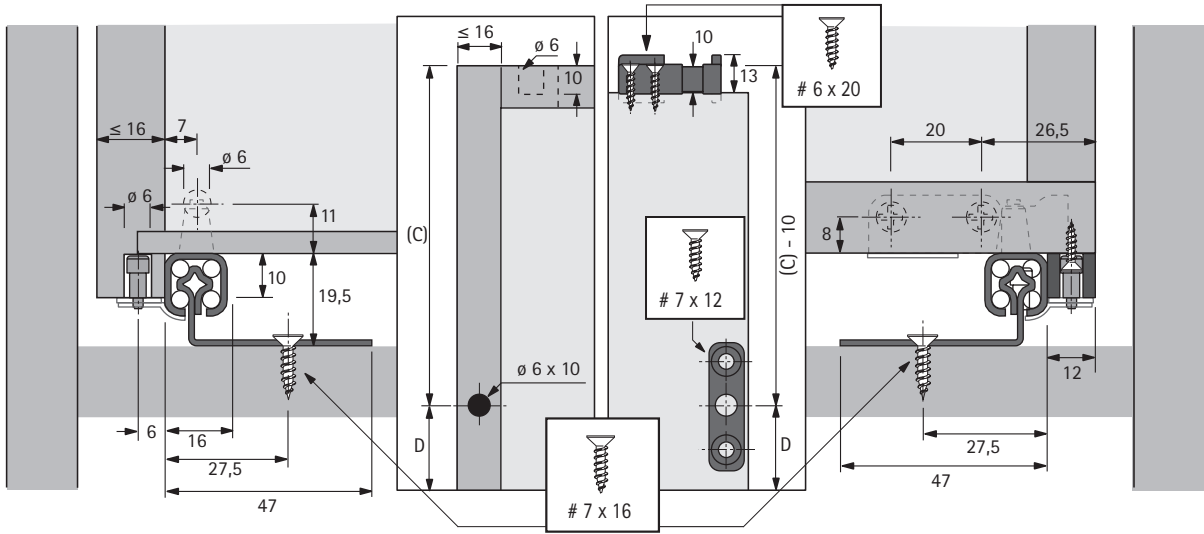
- ▶ For drawers with flush bottom panel and pull-out shelves
- ▶ Plastic

| Mounting position | Colour | Order no.        | PU       |
|-------------------|--------|------------------|----------|
| front             | beige  | <b>0 047 216</b> | 200 each |
| rear              | white  | <b>0 073 213</b> | 200 each |

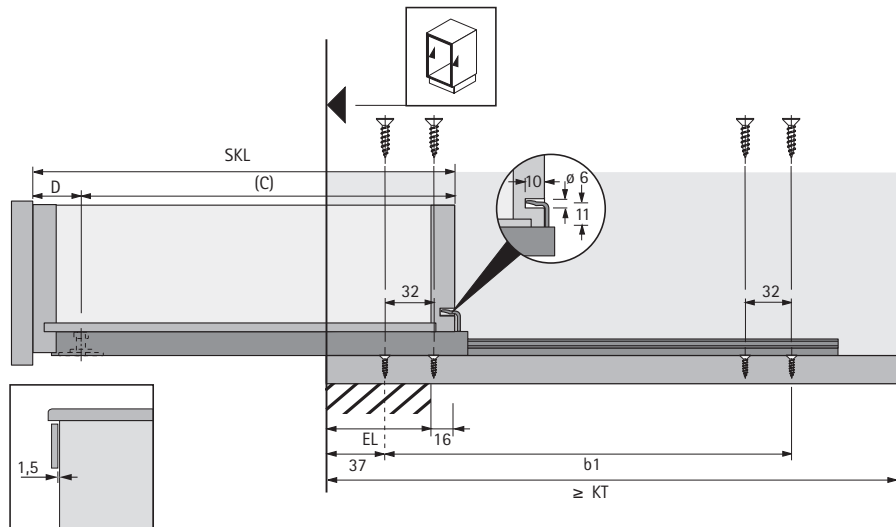
# Drawer runners for wooden drawers

- ▶ Quadro 40 partial extension runner for under base installation
- ▶ Load capacity 90 lbs

## Planning dimensions



## Planning dimensions



- ▶ For technical information, see pages 43
- ▶ For accessories, see page 41

# Drawer runners for wooden drawers



- ▶ Quadro V6 full extension runner for under base installation with Silent System
- ▶ Load capacity 90 lbs



- ▶ **Silent System** - the integrated Silent System closes the drawer quietly and gently
- ▶ Convenient slide on installation with catches and tool-less height adjustment
- ▶ Load capacity to EN 15338, Level 3
- ▶ Galvanized steel, suitable for rooms exposed top moisture

## Quadro V6 BM with Silent System

| Nominal length / drawer length<br>NL inches / mm | Minimum carcass depth KT inches  | Hole spacing b1 mm | Order no. | PU     |
|--|----------------------------------|--------------------|-----------|--------|
| 13 <sup>3</sup> / <sub>4</sub> / 350             | 14 <sup>3</sup> / <sub>4</sub>   | 256                | 9 079 486 | 1 pair |
| 15 <sup>3</sup> / <sub>4</sub> / 400             | 16 <sup>3</sup> / <sub>4</sub>   | 288                | 9 079 523 | 1 pair |
| 17 <sup>11</sup> / <sub>16</sub> / 450           | 18 <sup>11</sup> / <sub>16</sub> | 256                | 9 079 437 | 1 pair |
| 19 <sup>11</sup> / <sub>16</sub> / 500           | 20 <sup>11</sup> / <sub>16</sub> | 256                | 9 079 454 | 1 pair |

- ▶ Using the plug reduces the drawer length (NL) by 10 mm

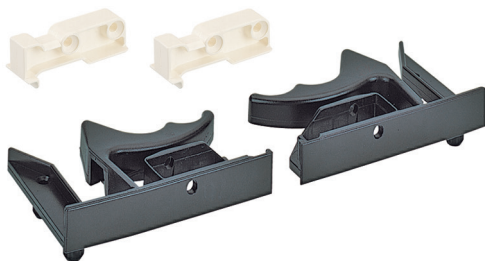
## Catch for wooden drawers with grooved bottom panel (Quadro 25 and Quadro V6)



- ▶ For secure, tool-less connection of Quadro runners and wooden drawers
- ▶ Infinitely variable height adjustment up to + 2 mm at knurled wheel
- ▶ Plastic, black

| Hinge side of cabinet | Order no. | PU       |
|-----------------------|-----------|----------|
| left / right          | 9 140 419 | 10 pair  |
| left / right          | 9 140 418 | 100 pair |

## Catch for pull-out shelves / wooden drawers with flush bottom panel (Quadro 25 and Quadro V6)



- ▶ For securely connecting Quadro runner and pull-out shelf / wooden drawer with flush bottom panel without the need for tools
- ▶ For pull-out shelves in a thickness of 16 - 19 mm
- ▶ Set includes rear plug
- ▶ Plastic, black / white

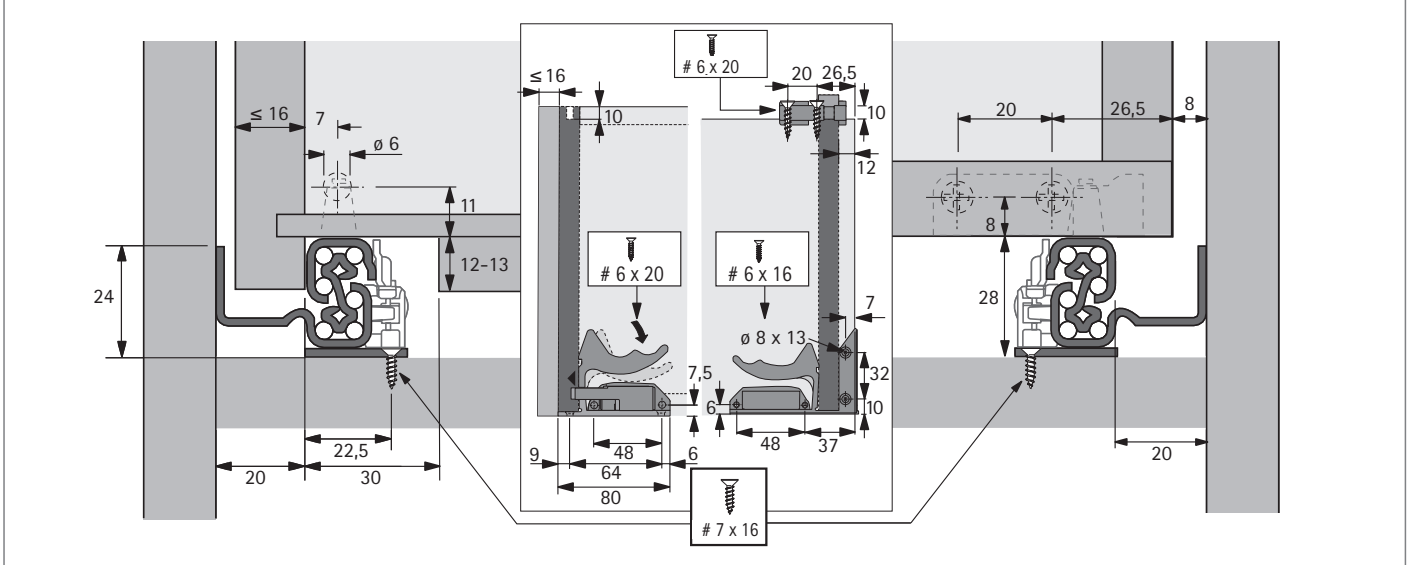
| Order no. | PU     |
|-----------|--------|
| 0 075 808 | 5 pair |



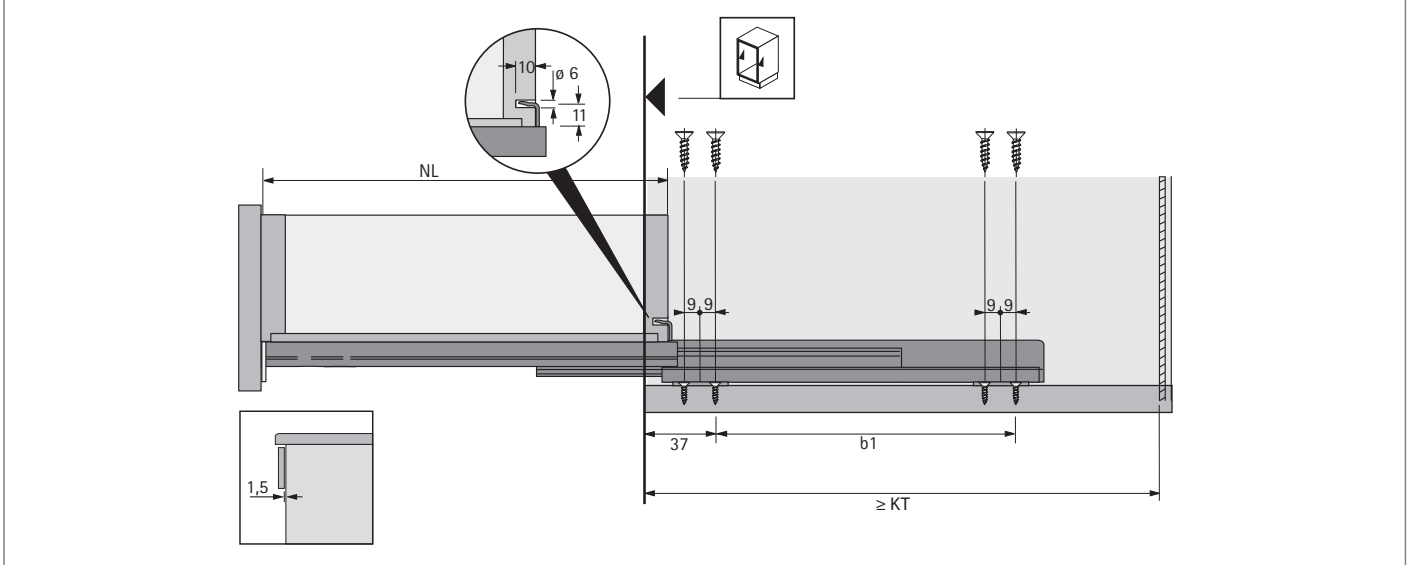
# Drawer runners for wooden drawers

- ▶ Quadro V6 full extension runner for under base installation with Silent System
- ▶ Load capacity 90 lbs

## Planning dimensions



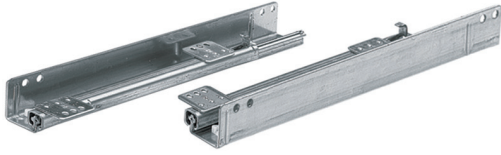
## Planning dimensions



- ▶ For technical information, see page 43
- ▶ For accessories, see page 41

## ► Quadro 25 pull-out shelf runner

### Quadro 25 pull-out shelf runner with locating catch



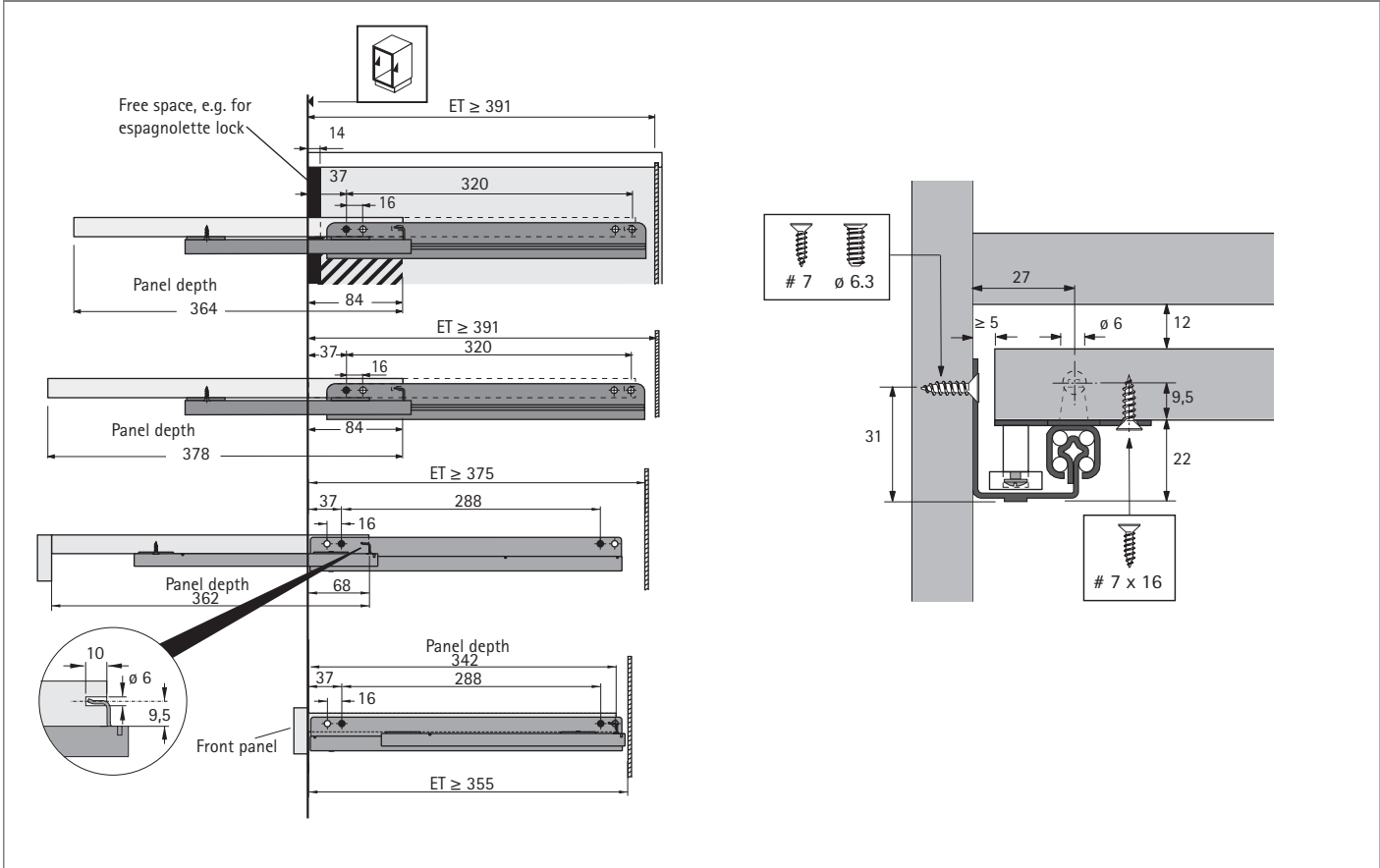
- Depth of the desk top 378, 364 or 345 mm depending on the screw on position
- Simply hook in the desk top and screw it down at the front, on the brackets of the runner profiles
- Locating catch: locking elements prevent the extended desk top rolling back inadvertently
- 55 lbs load capacity to EN 15338, Level 3
- Galvanized steel

#### Advice:

- Desk tops in depths of 364 and 378 mm are additionally provided with a roll-out prevention
- Please note the instructions for certain installation situations in the installation instructions enclosed with the product!

| Hinge side of cabinet | Order no.        | PU     |
|-----------------------|------------------|--------|
| left                  | <b>1 010 851</b> | 25 ea. |
| right                 | <b>1 010 852</b> | 25 ea. |

### Planning dimensions, pull-out shelf runner



### Fixing screw



- Steel, nickel plated

| Dimensions mm | Order no.        | PU      |
|---------------|------------------|---------|
| ø 4 x 16      | <b>0 010 085</b> | 200 ea. |
| ø 6.3 x 11    | <b>0 047 451</b> | 200 ea. |
| ø 6.3 x 14    | <b>0 047 452</b> | 200 ea. |

- ▶ Quadro
- ▶ Accessories

## Catch for wooden drawers with grooved bottom panel (Quadro 25 and Quadro V6)



- ▶ For secure, tool-less connection of Quadro runners and wooden drawers
- ▶ Infinitely variable height adjustment up to + 2 mm at knurled wheel
- ▶ Plastic, black

| Hinge side of cabinet | Order no.        | PU       |
|-----------------------|------------------|----------|
| left / right          | <b>9 140 419</b> | 10 pair  |
| left / right          | <b>9 140 418</b> | 100 pair |

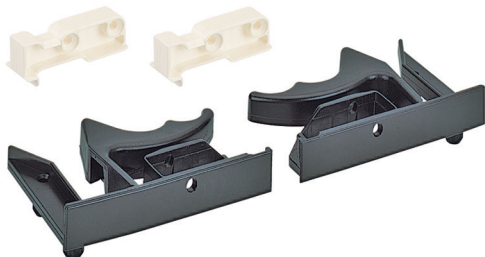
## Catch for wooden drawers with grooved bottom panel (Quadro V6+)



- ▶ For securely connecting the Quadro runner and wooden drawer without the need for tools
- ▶ Infinitely variable height adjustment up to + 2 mm at knurled wheel
- ▶ Plastic, black

| Hinge side of cabinet | Order no.        | PU     |
|-----------------------|------------------|--------|
| left / right          | <b>9 117 492</b> | 5 pair |

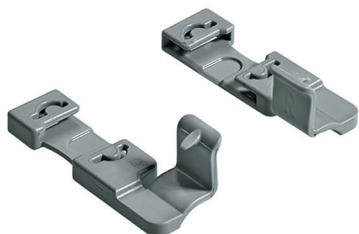
## Catch for pull-out shelves / wooden drawers with flush bottom panel (Quadro 25 and Quadro V6)



- ▶ For securely connecting Quadro runner and pull-out shelf / wooden drawer with flush bottom panel without the need for tools
- ▶ For pull-out shelves in a thickness of 16 - 19 mm
- ▶ Set includes rear plug
- ▶ Plastic, black / white

| Order no.        | PU     |
|------------------|--------|
| <b>0 075 808</b> | 5 pair |

## Lift off guard for wooden drawers with plug on installation (Quadro 25)



- ▶ The optional lift off guard can be used for additionally securing wooden drawers for plug on installation
- ▶ plastic, grey

| Article | Order no.        | PU       |
|---------|------------------|----------|
| left    | <b>9 155 280</b> | 200 each |
| right   | <b>9 155 281</b> | 200 each |

## Plug (Quadro 25 and Quadro 40)



- ▶ For drawers with flush bottom panel and pull-out shelves
- ▶ Plastic

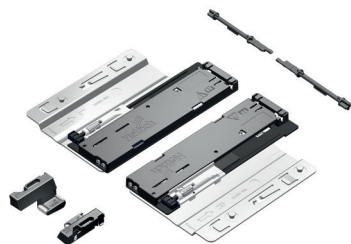
| Mounting position | Colour | Order no.        | PU       |
|-------------------|--------|------------------|----------|
| front             | beige  | <b>0 047 216</b> | 200 each |
| rear              | white  | <b>0 073 213</b> | 200 each |

Using rear plugs reduces the length of the pull-out shelf / drawer is reduced by 10 mm.

# Drawer runners for wooden drawers

- ▶ Quadro accessories
- ▶ Push to open Silent for Quadro 4D V6 with Silent System

## Push to open Silent for Quadro 4D V6 with Silent System



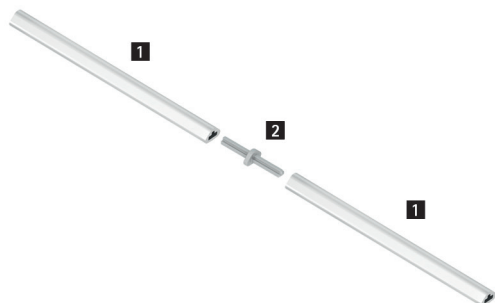
- ▶ Units: 10 kg, 20 kg, 30 kg
- ▶ Optional, upgradeable for all nominal lengths without tools
- ▶ Internal cabinet body width > 200 mm, minimal drawer front gap of 2.5 mm
- ▶ Can be clipped on without tools
- ▶ Drawers can still be pulled open / guided closed

Set comprises:

- ▶ 1 Push to open Silent unit, left and right
- ▶ 1 activator, left and right
- ▶ 2 adapters for mounting optional synchronization

| Unit | Weight range   | Nominal length mm | Order no.        | PU    |
|------|----------------|-------------------|------------------|-------|
| 10   | 10 kg - 22 lbs | 250 - 350         | <b>9 246 312</b> | 1 set |
| 20   | 30 kg - 44 lbs | 250 - 600         | <b>9 246 315</b> | 1 set |
| 30   | 30 kg - 66 lbs | 250 - 600         | <b>9 246 316</b> | 1 set |

## Optional synchronization for Push to open Silent



- ▶ Synchronization bar for cutting to length, 2000 mm
- ▶ Connector for minimizing offcut waste
- ▶ Recommended for cabinet bodies in widths of > 600 mm; can be used from 275 mm
- ▶ Aluminium, anodized, grey plastic

| Article                      | Order no.        | PU        |
|------------------------------|------------------|-----------|
| <b>1</b> Synchronization bar | <b>9 236 718</b> | 1/100 ea. |
| <b>2</b> Connector           | <b>9 221 295</b> | 1/20 ea.  |

# Drawer runners for wooden drawers

- ▶ **Quadro accessories**
- ▶ **Push to open Silent for Quadro 4D V6 with Silent System**

## Recommendation for drawer (front panel height up to approx. 150 mm)\*

| Nominal length mm | Nominal width mm |     |     |     |     |     |     |     |     |     |     |      |      |
|-------------------|------------------|-----|-----|-----|-----|-----|-----|-----|-----|-----|-----|------|------|
|                   | 275              | 300 | 350 | 400 | 450 | 500 | 550 | 600 | 700 | 800 | 900 | 1000 | 1200 |
| 250 - 300         |                  |     |     |     |     |     |     |     |     |     |     |      |      |
| 320 - 350         |                  |     |     |     |     |     |     |     |     |     |     |      |      |
| 380 - 550         |                  |     |     |     |     |     |     |     |     |     |     |      |      |
| 580 - 600         |                  |     |     |     |     |     |     |     |     |     |     |      |      |

## Recommendation for pot-and-pan drawer (front panel height up to approx. 300 mm, light to medium duty loading)\*

| Nominal length mm | Nominal width mm |     |     |     |     |     |     |     |     |     |     |      |      |
|-------------------|------------------|-----|-----|-----|-----|-----|-----|-----|-----|-----|-----|------|------|
|                   | 275              | 300 | 350 | 400 | 450 | 500 | 550 | 600 | 700 | 800 | 900 | 1000 | 1200 |
| 250 - 300         |                  |     |     |     |     |     |     |     |     |     |     |      |      |
| 320 - 350         |                  |     |     |     |     |     |     |     |     |     |     |      |      |
| 380 - 550         |                  |     |     |     |     |     |     |     |     |     |     |      |      |
| 580 - 600         |                  |     |     |     |     |     |     |     |     |     |     |      |      |

## Recommendation for pot-and-pan drawer, heavy duty (front panel height up to approx. 300 mm, heavy duty loading, e.g. with stacks of plates)\*

| Nominal length mm | Nominal width mm |     |     |     |     |     |     |     |     |     |     |      |      |
|-------------------|------------------|-----|-----|-----|-----|-----|-----|-----|-----|-----|-----|------|------|
|                   | 275              | 300 | 350 | 400 | 450 | 500 | 550 | 600 | 700 | 800 | 900 | 1000 | 1200 |
| 250 - 300         |                  |     |     |     |     |     |     |     |     |     |     |      |      |
| 320 - 350         |                  |     |     |     |     |     |     |     |     |     |     |      |      |
| 380 - 550         |                  |     |     |     |     |     |     |     |     |     |     |      |      |
| 580 - 600         |                  |     |     |     |     |     |     |     |     |     |     |      |      |

Order no. Push to open Silent:

**9 246 312**

**9 246 315**

**9 246 316**

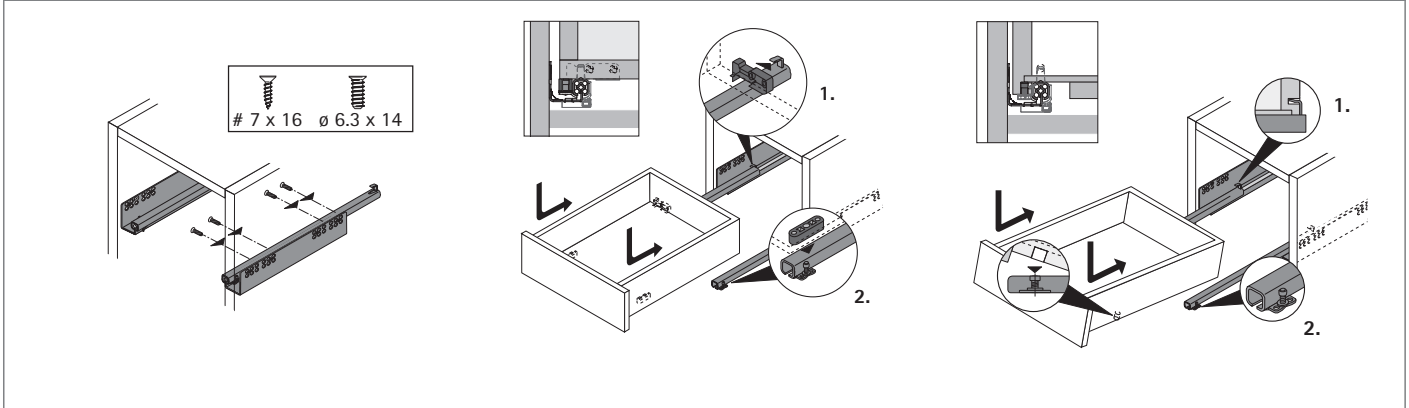
\* Recommendations for applications (front panel 19 mm chipboard, normal household loading), please refer to our online configurator to get more exact recommendations for customer chosen front panel dimensions and materials.



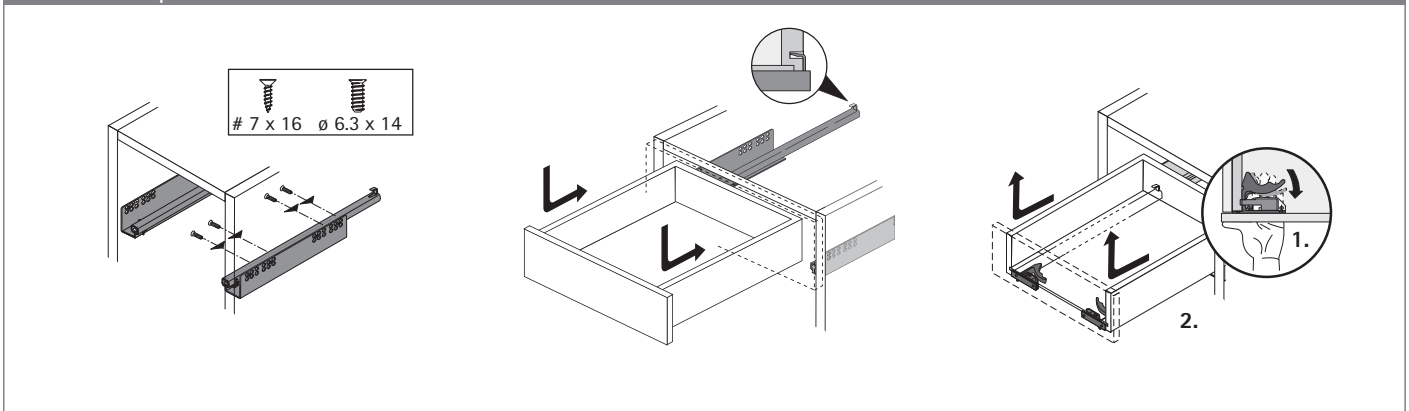
Further information:  
<http://www.hettich.com/short/02d60e>

- ▶ Quadro
- ▶ Technical information

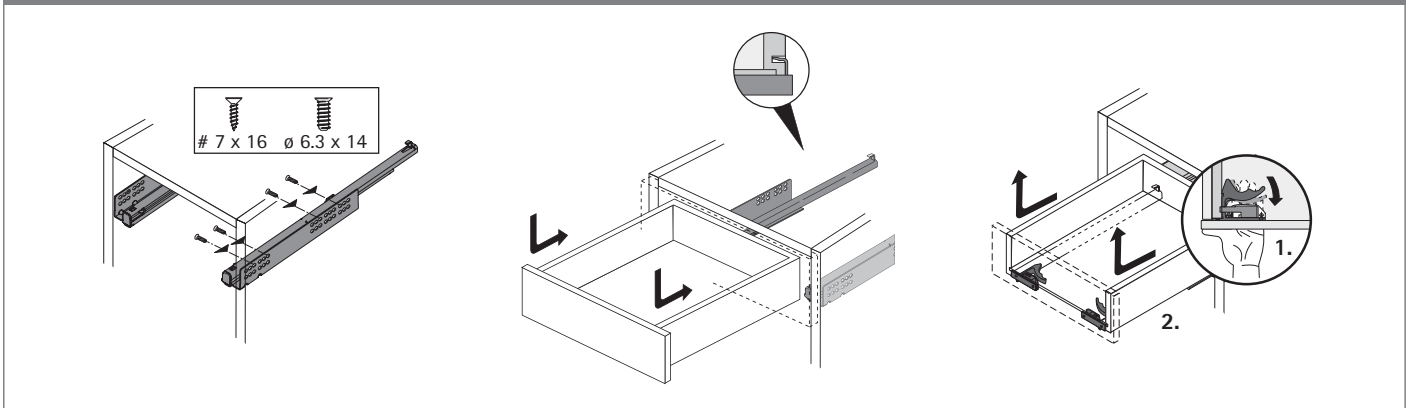
## Quadro 25 partial extension runner, plug on installation



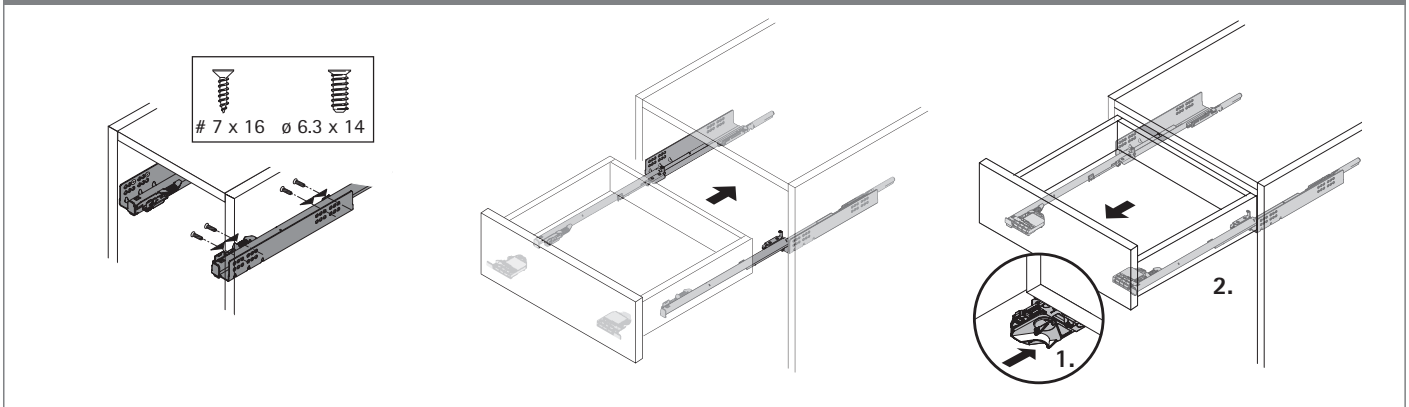
## Quadro 25 partial extension runner, slide on installation



## Quadro V6 full extension runner, slide on installation



## Quadro 4D V6 full extension runner, slide on installation

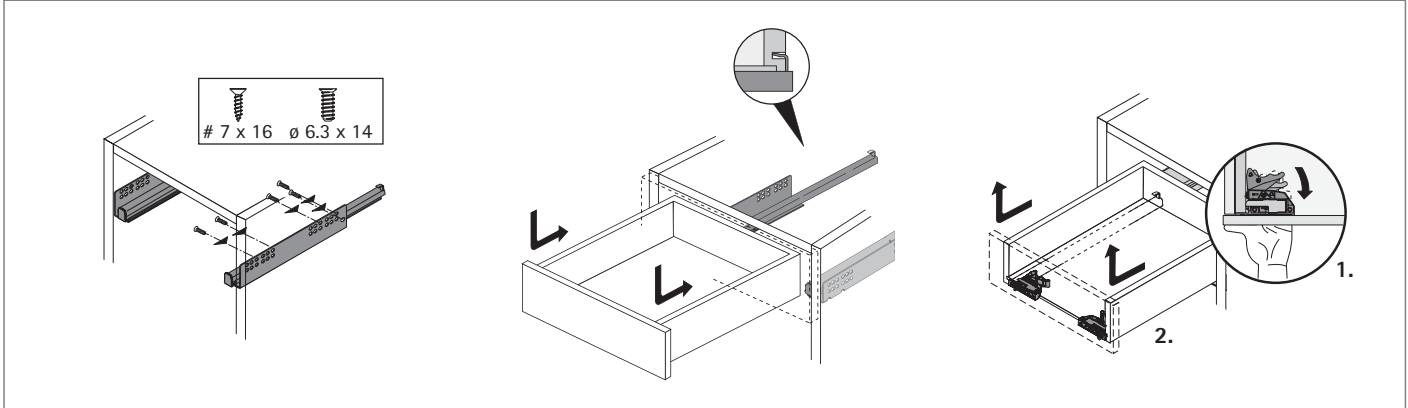


# Drawer runners for wooden drawers

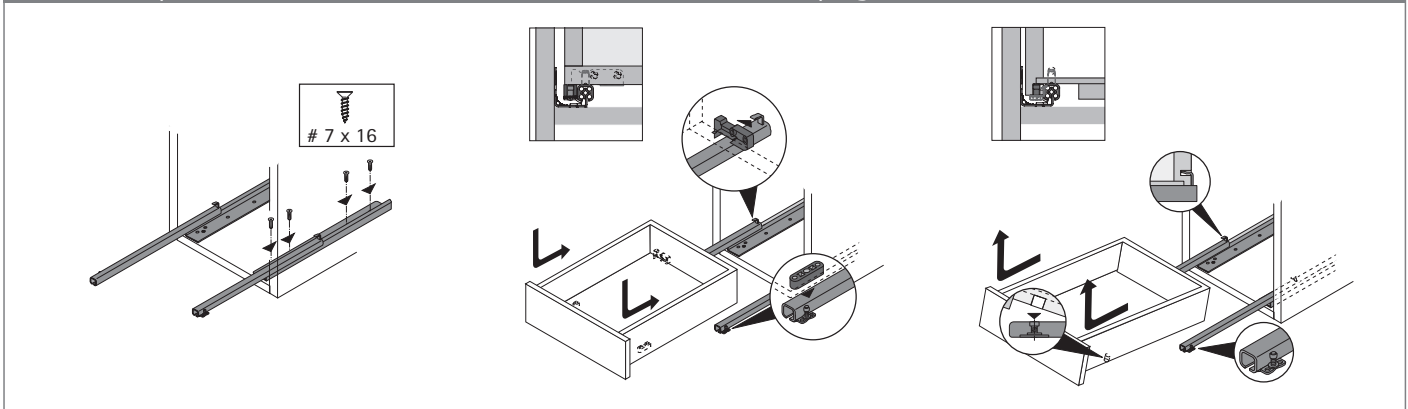


- ▶ Quadro
- ▶ Technical information

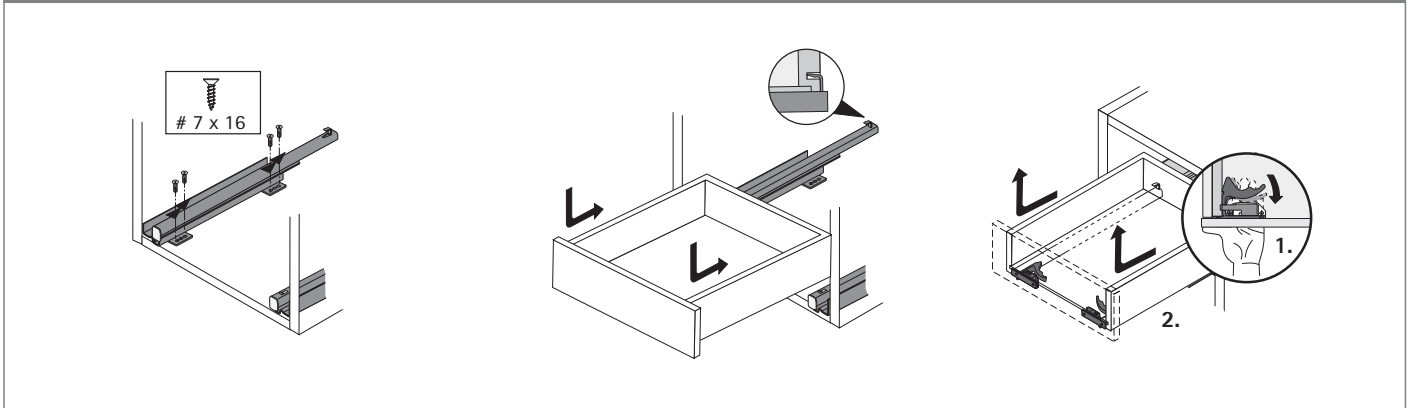
## Quadro V6+ full extension runner, slide on installation



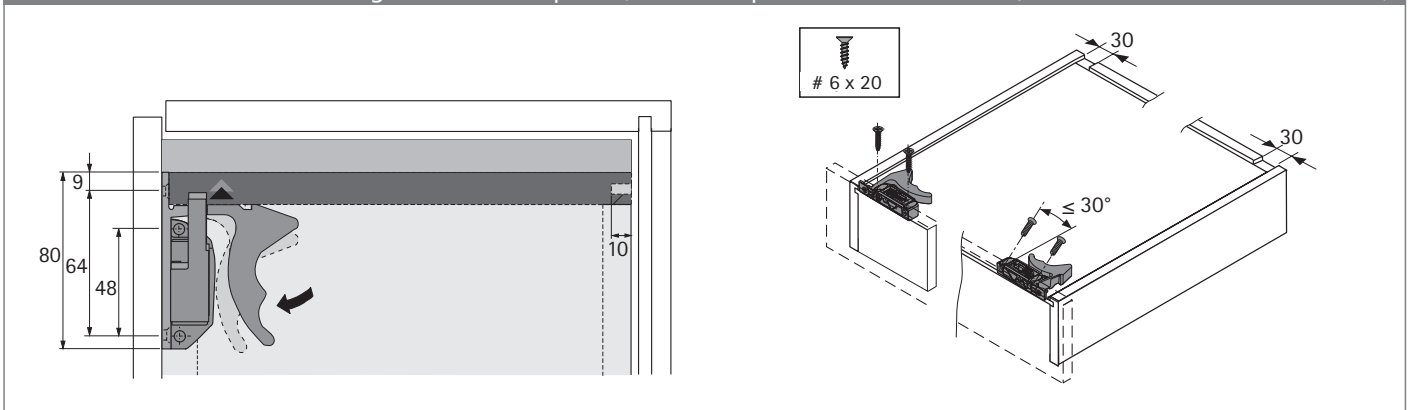
## Quadro 40 partial extension runner for under base installation, plug on installation



## Quadro V6 full extension runner for under base installation, slide on installation

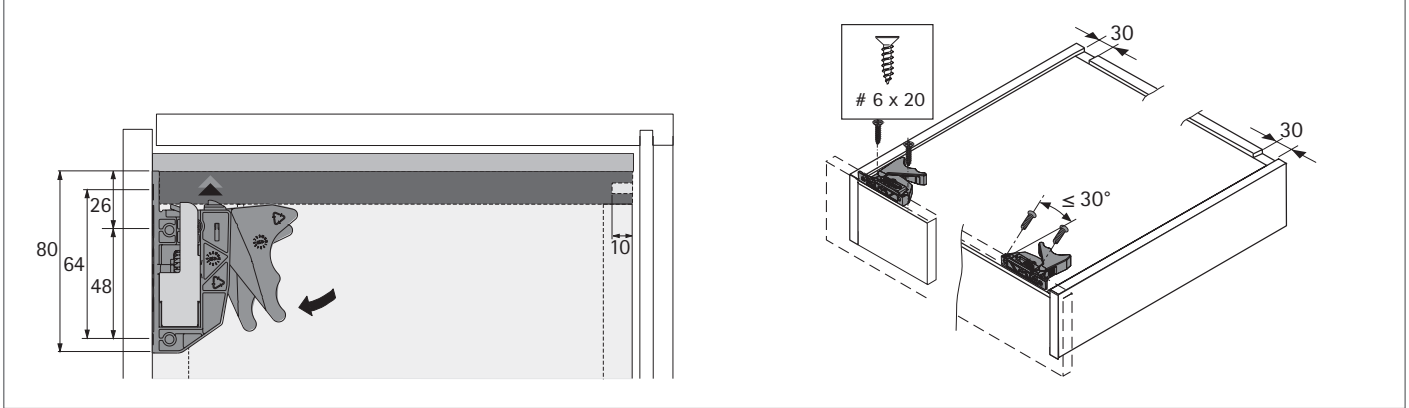


## Catch for wooden drawers with grooved bottom panel (Quadro 25 partial extension runner / Quadro V6 full extension runner)

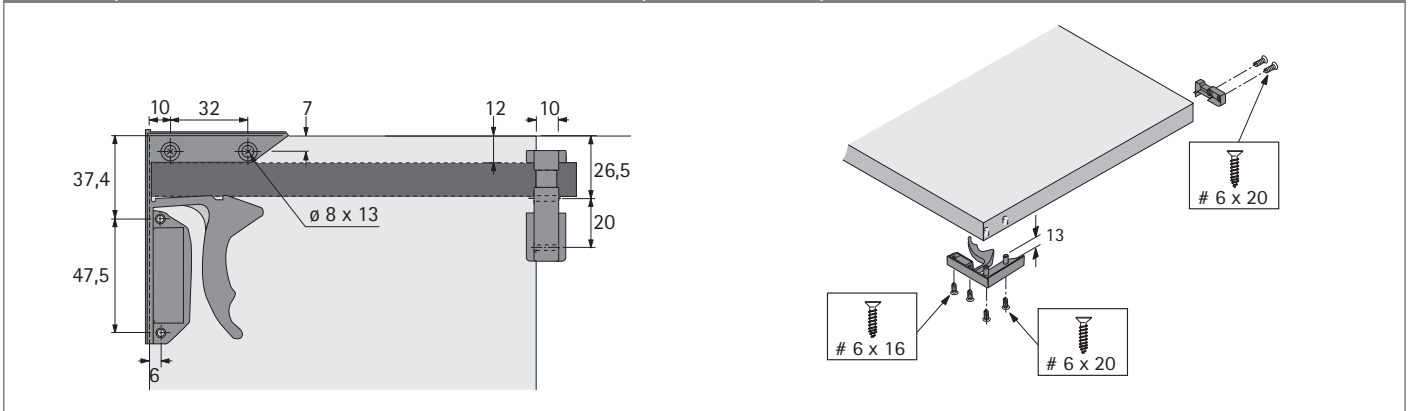


- ▶ Quadro
- ▶ Technical information

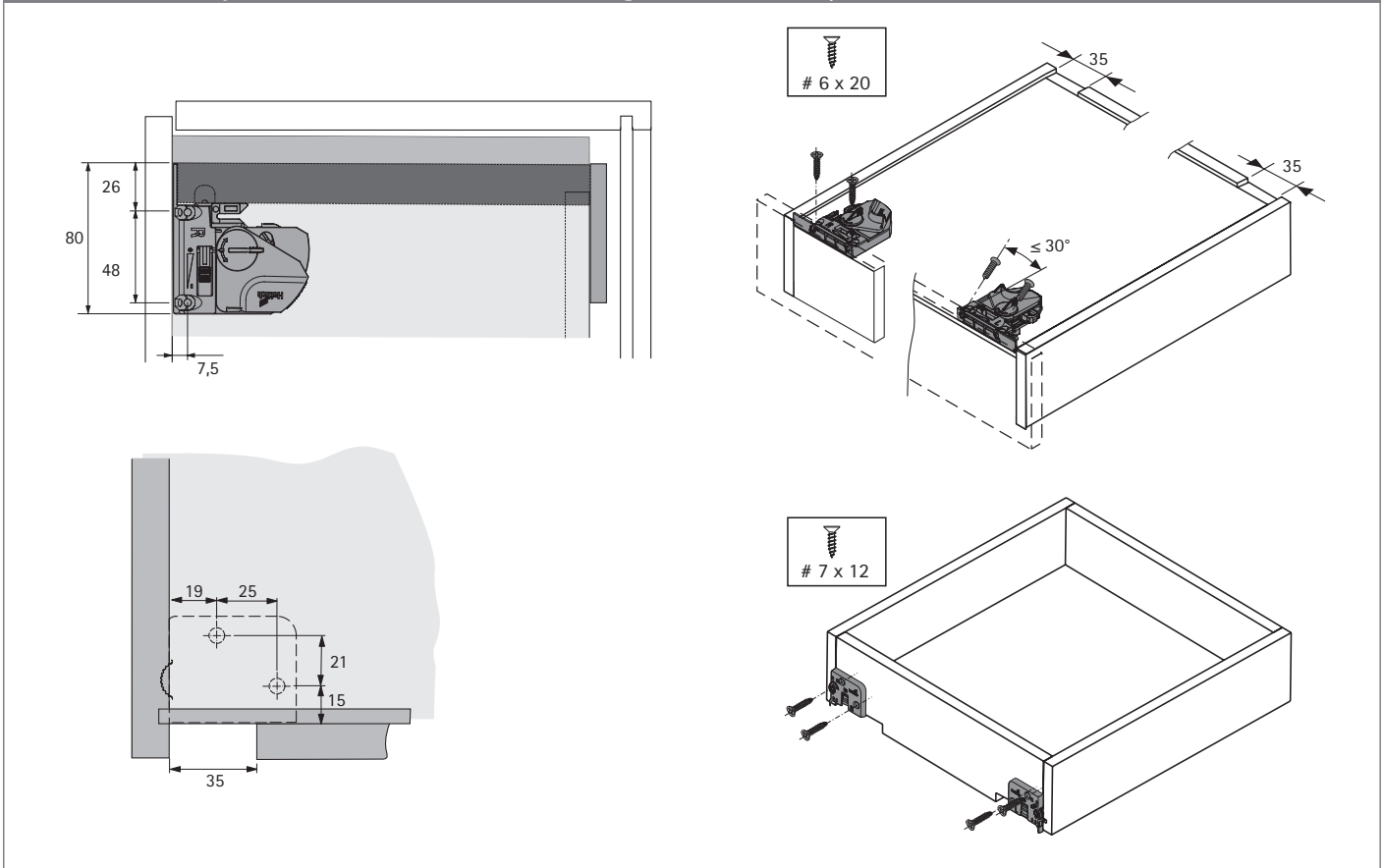
## Catch for wooden drawers with grooved bottom panel (Quadro V6+ full extension runner)



## Catch for pull-out shelves / wooden drawers with flush bottom panel (Quadro 25 partial extension runner / Quadro V6 full extension runner)



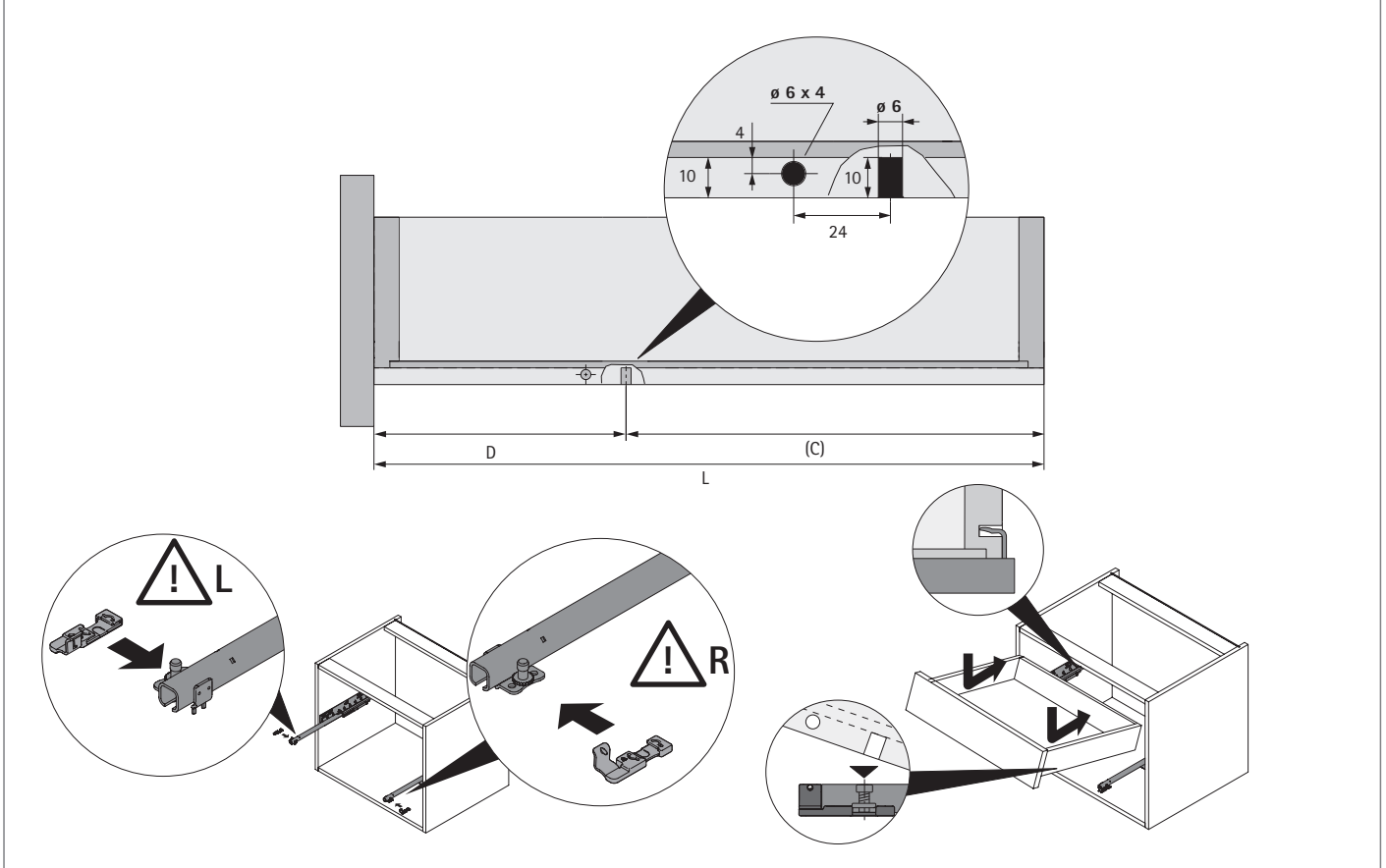
## Catch and tilt adjuster for wooden drawers with grooved bottom panel (Quadro 4D V6 full extension runner)





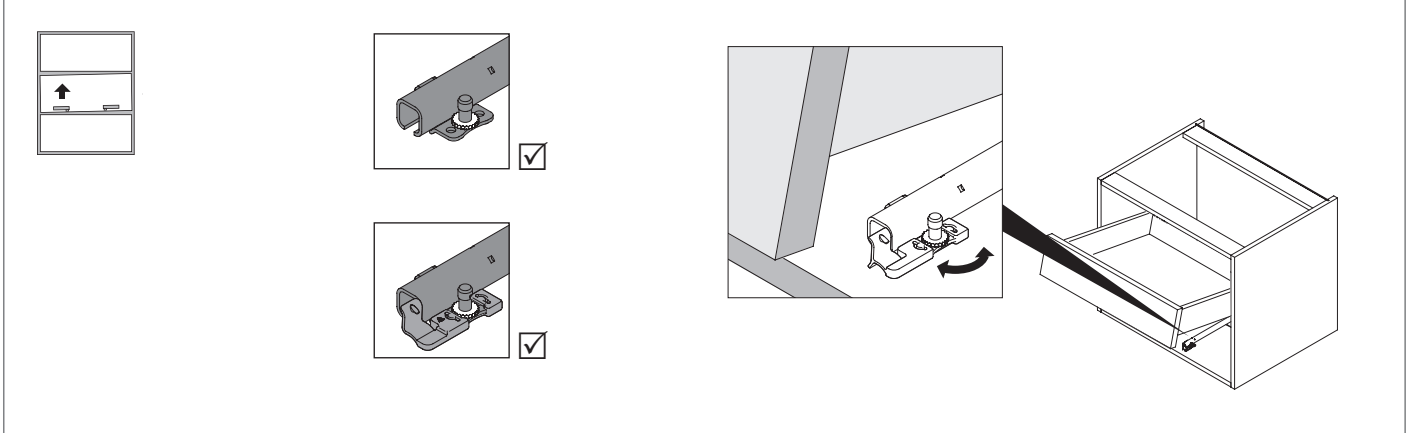
- ▶ Quadro
- ▶ Technical information

## Lift off guard for wooden drawers, plug on installation (Quadro 25 partial extension runner)

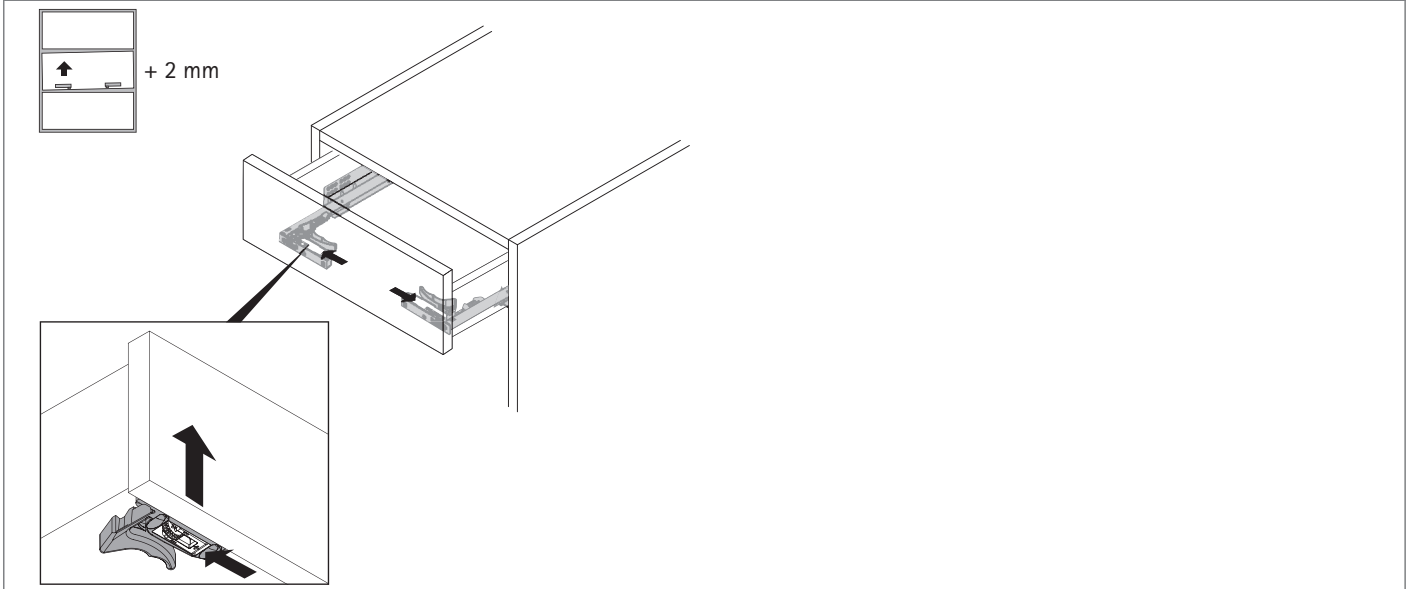


- ▶ Quadro
- ▶ Technical information

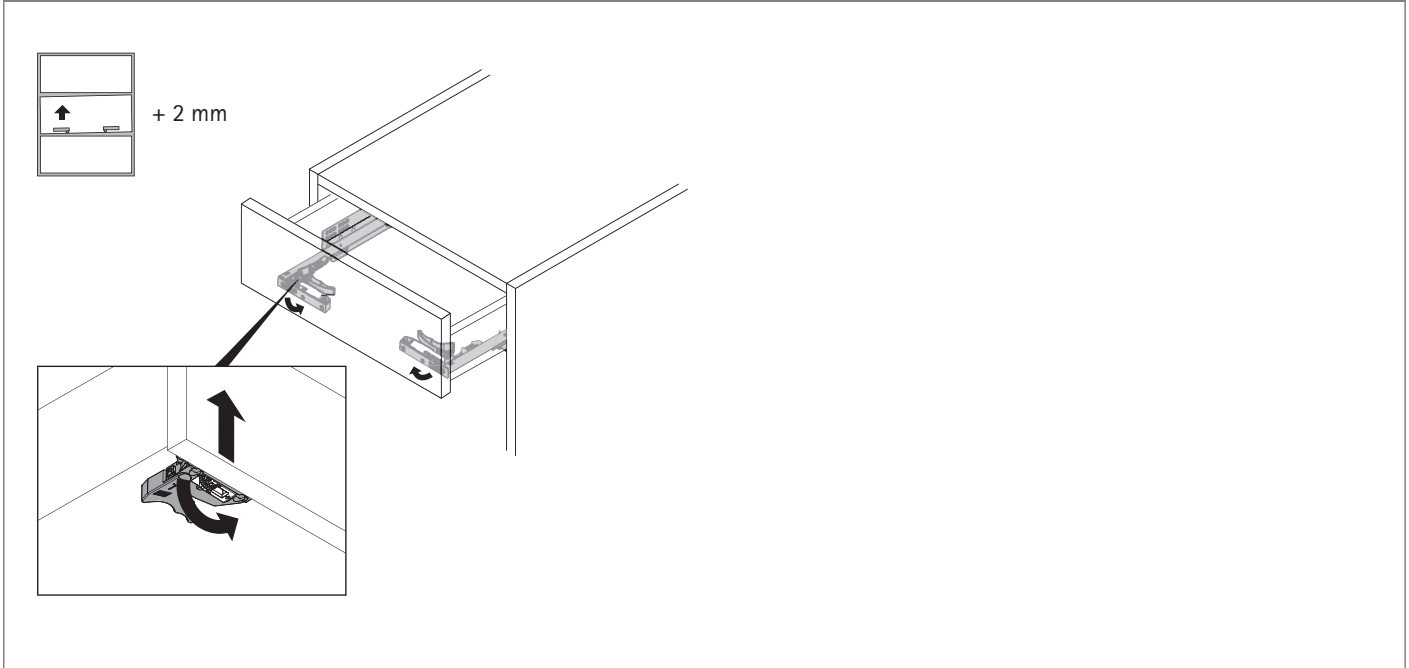
## Quadro 25 partial extension runner, plug on installation: adjustment of the drawer front panel



## Quadro 25 partial extension runner / Full extension runner, slide on installation: adjustment of the drawer front panel



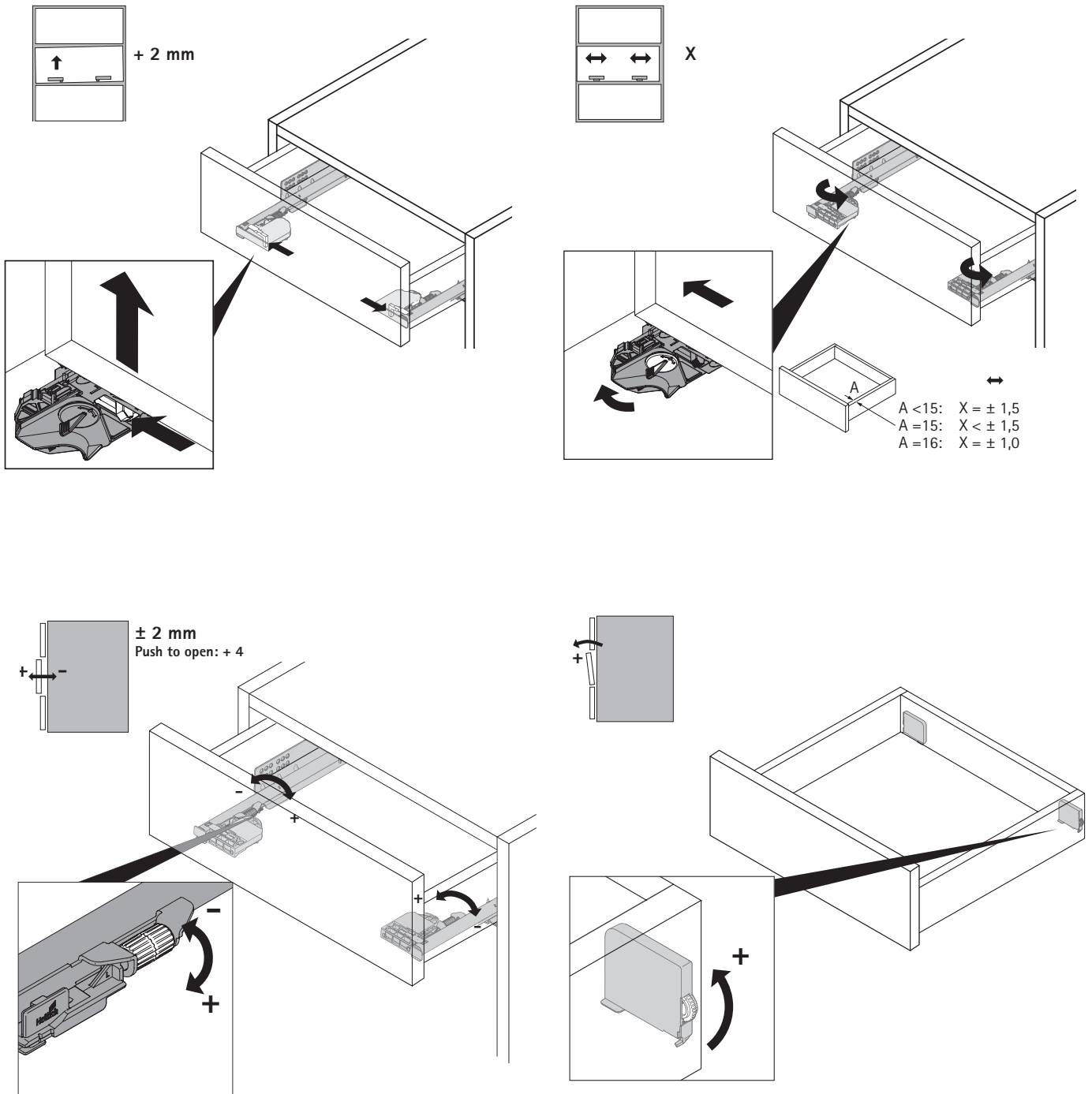
## Quadro V6+ full extension runner, slide on installation: adjustment of the drawer front panel



- ▶ Quadro
- ▶ Technical information

## Quadro 4D V6 full extension runner: adjustment of the drawer front panel

<https://www.hettich.com/short/f4a4a3>



# Drawer runners for wooden drawers

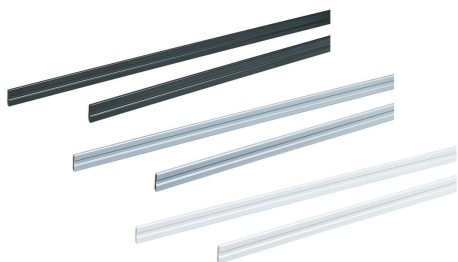


- ▶ OrgaStripe
- ▶ OrgaStripe Profil, OrgaClip



Looking for easy, fast and versatile drawer organization? – The OrgaStripe is the ideal solution for a versatile organisational system. The self adhesive strips can be used in virtually any drawer. The cross partitions and dividers in a thickness of 4 mm provide plenty of scope for individually tailored organization. The OrgaStripe itself is unobtrusive. Taking up very little room, it maximizes the use of storage space. Compartment size can be varied simply by moving the cross partitions and dividers. Neat and tidy organization is now guaranteed in the home and office.

## OrgaStripe profile



- ▶ For sticking onto coated engineered wood, steel and aluminium
- ▶ Length 1100 mm
- ▶ Plastic

Page reference:

- ▶ For installation instructions, see page 53

| Colour | Order no. | PU      |
|--------|-----------|---------|
| black  | 9 203 254 | 30 each |
| white  | 9 203 465 | 30 each |
| grey   | 9 203 466 | 30 each |

## OrgaClip



- ▶ For installing into the OrgaStripe profile
- ▶ For 4 mm thick cross partition
- ▶ Any cross partition material may be chosen
- ▶ Infinitely adjustable in the profile
- ▶ Plastic

Page reference:

- ▶ For installation instructions, see page 49

| Colour | Order no. | PU      |
|--------|-----------|---------|
| black  | 9 203 467 | 60 each |
| white  | 9 203 468 | 60 each |
| grey   | 9 203 469 | 60 each |

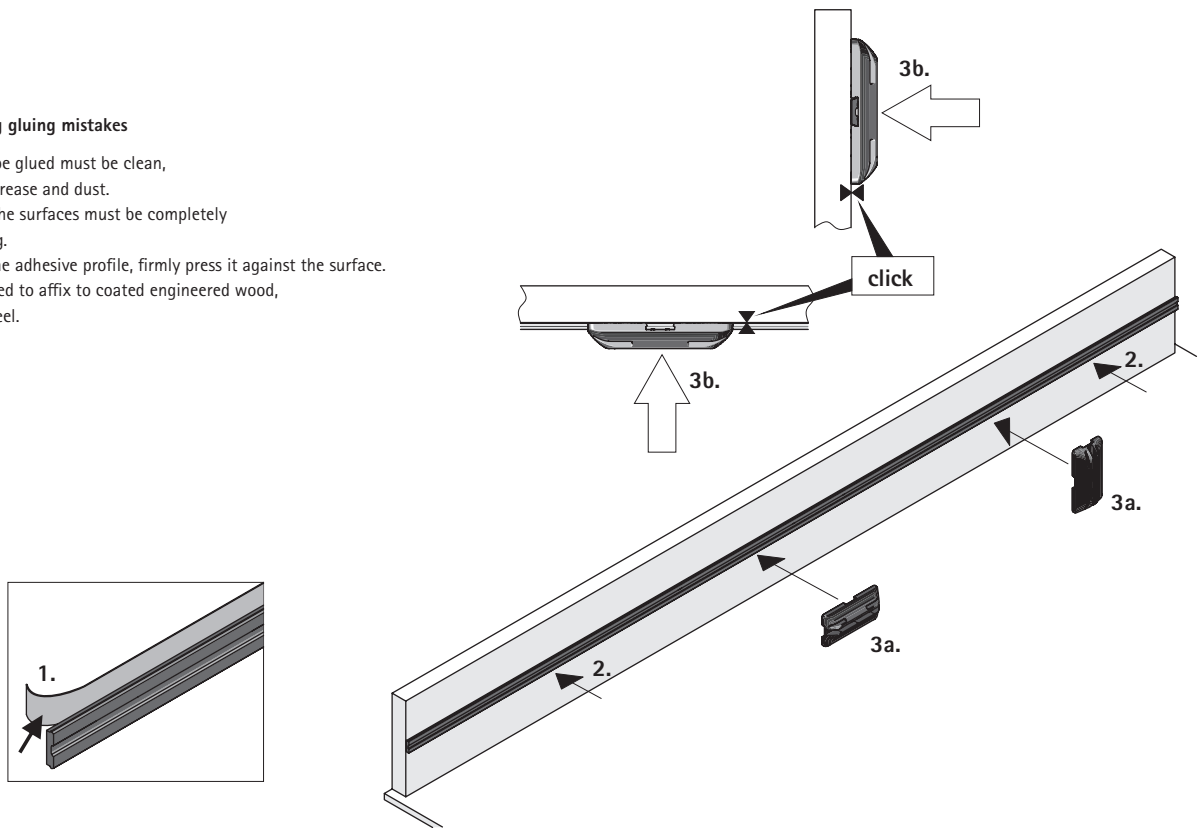
- ▶ OrgaStripe
- ▶ OrgaStripe installation instructions

## OrgaStripe installation instructions

### Installation

#### Advice on avoiding gluing mistakes

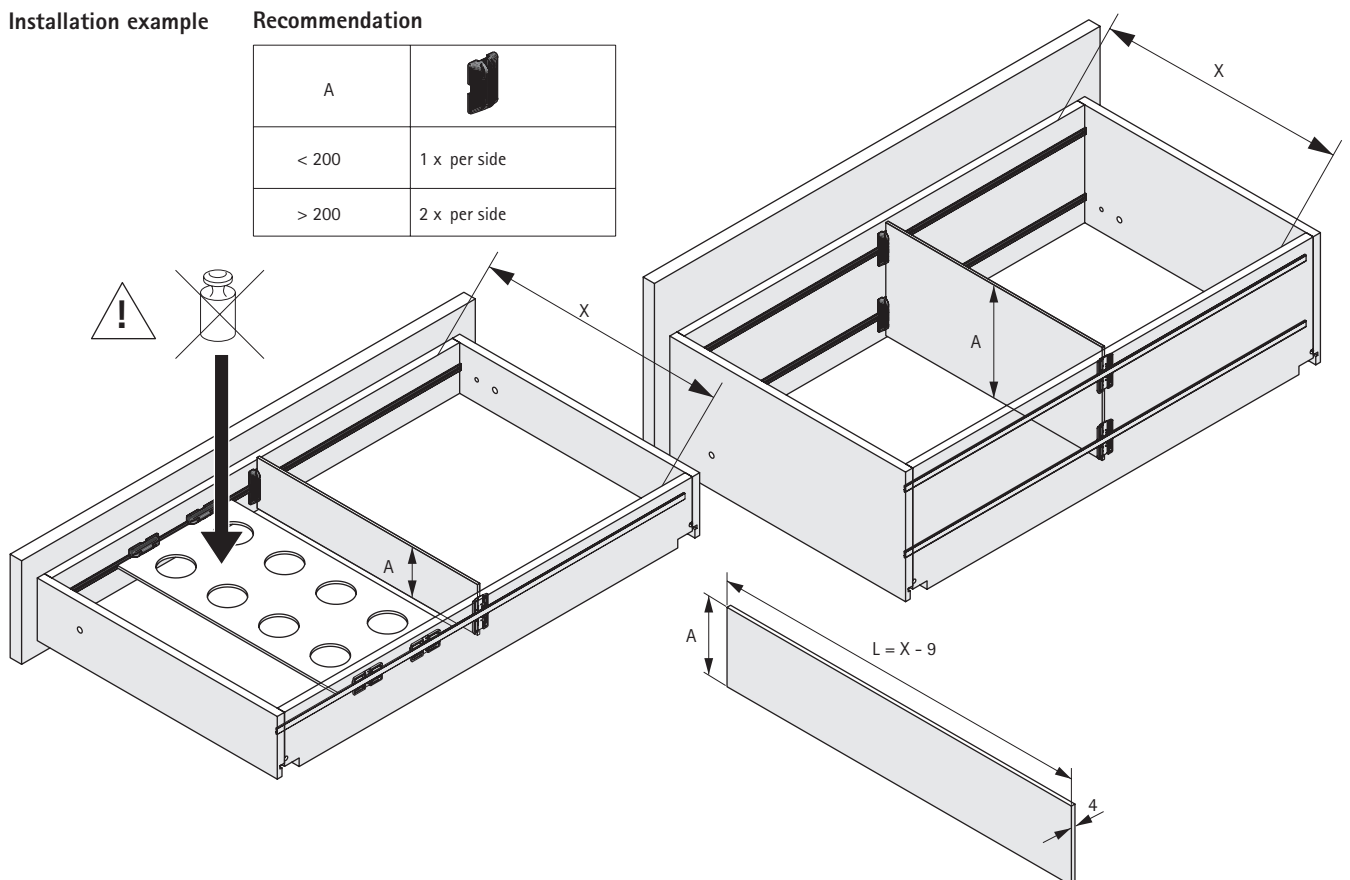
- The surfaces to be glued must be clean, dry and free of grease and dust.
- After cleaning, the surfaces must be completely dry before gluing.
- When affixing the adhesive profile, firmly press it against the surface.
- It is recommended to affix to coated engineered wood, aluminium or steel.



### Installation example

### Recommendation

|       |              |
|-------|--------------|
| A     |              |
| < 200 | 1 x per side |
| > 200 | 2 x per side |



# Drawer runners for wooden drawers

## ► Quality criteria

### Quality that meets all the demands

The quality of drawer runners is subject to a process of continuous monitoring. Hettich fittings comply with the national and international quality standards of the markets our customers operate in. The diagrams below show some of the tests Hettich fittings are required to pass.

#### Application area

Hettich drawer runners are suitable for use in living room, kitchen, bathroom and office furniture both in the home and business environment.

#### Load capacity and guards preventing unintentional detachment / removal

The load capacity indicated (to DIN EN 15338) is understood to mean the weight of the drawer itself, including contents, in kg. The applicable level is shown on the product. The load-bearing capacity relates to a reference length of 500 mm. The load-bearing capacity may vary for other nominal lengths. All Hettich drawer runners feature

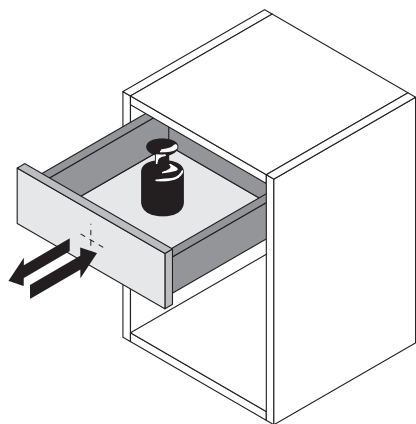
guards to prevent the drawer from rolling out and being removed unintentionally and meet the requirements of the impact test in a test frame to EN 15338. Used in the intended manner for furniture, these drawer runners are suitable for use in living, kitchen and bathroom furniture to EN 14749 and for use in office furniture to EN 14073 and EN 14074. The maximum front panel height is governed in particular by material, drawer size and drawer runner. Testing is conducted on drawers with a 130 mm front panel height and pot-and-pan drawers with a 300 mm front panel height.

#### Corrosion test

Hettich drawer runners satisfy the requirements on corrosion defined in EN 15338, 72-hour condensation water test to EN 6270.

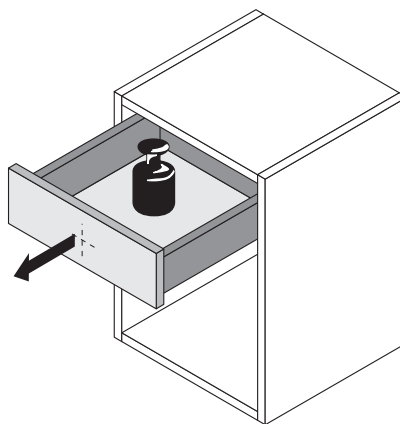
### Wear test

The fully laden drawer must remain in proper working order after opening and closing it for a defined number of times at a defined test velocity.



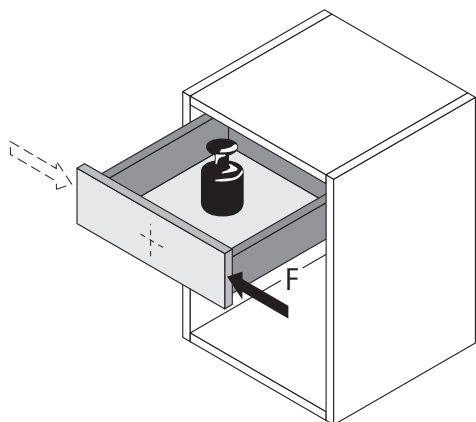
### Retention-on-opening test

The fully laden drawer is abruptly opened all the way several times at a defined test velocity.



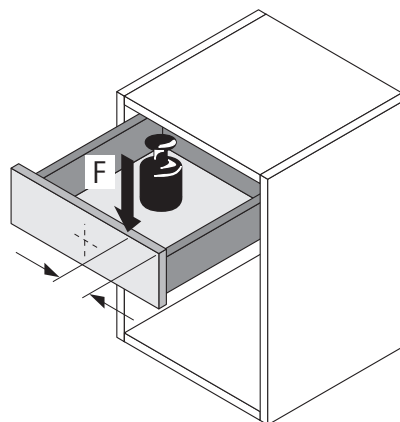
### Horizontal load test

Opened all the way, the fully laden drawer is additionally exposed to horizontal strain from a defined lateral force.



### Vertical strain test

Opened all the way, the drawer is additionally exposed to vertical strain from a defined eccentric force.







Hettich takes a responsibility for the world we live in. This awareness defines the strict policy of environmental management that we practise. Our environmental officer has taken personal responsibility for these aspects throughout the group of companies over a period of many years. In addition, a separate environment committee has been established for each production site. We regard statutory provisions as minimum requirements. At significant sites we also implement the stringent EMAS Regulation. And we drive forward developments that in future will help to save even more raw materials and support the necessary endeavours towards sustainability.

### **Hettich environmental management**

In 1996 Hettich started introducing effective environmental management systems under the stringent EMAS Regulation (currently: EC Regulation No. 761/2001, including EN ISO 14.001/2004). This not only enables us to

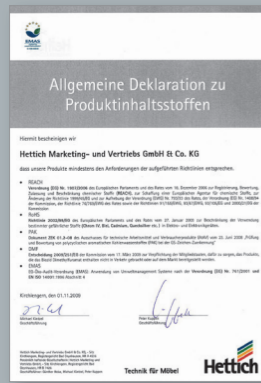
improve our environmental performance on a broad front but also to achieve a high level of safety which, not least, also benefits our customers. This is why we also require our suppliers to meet the necessary minimum standards of environmental protection, industrial safety, health care and social welfare.

The results achieved in the drawer runner and drawer system product segment at the Kirchlengern operation in Germany illustrate the impressive effects these measures have and verifiably demonstrate our tireless endeavours to translate words into action:

Relief to the environment between 1997 and 2008:

|                                     |             |
|-------------------------------------|-------------|
| Specific water consumption:         | 56 per cent |
| Specific power consumption:         | 21 per cent |
| Specific heat consumption:          | 84 per cent |
| Specific CO <sub>2</sub> emissions: | 29 per cent |





## Hettich standard for product materials

Hettich underpins its commitment by applying an internal standard for product materials. This ensures that every product – from production to disposal – satisfies all environmental requirements. Hettich products are durable. Appropriately foresighted, our rigorous standards are formulated to ensure that international legislation is also met. This provides a reliable base for marketing furniture worldwide.

## Zero-energy building – Hettich Forum

The Hettich Forum building with its neutral energy balance is a shining example of future-proof building design. Photovoltaic panels and a solar collection system providing hot water as well as extensive roof greening and use of rain water underscore this building's overall sustainability

concept in just the same way as the broad use of cellulose insulation material from recycled newspapers, highly efficient heat recovery and the bulb-free lighting concept do.

With the Hettich Group having acquired European Commission GreenBuilding Partner status on 5 March 2009, the comprehensive approach demonstrated by the Hettich Forum has also convinced the adjudicating panel of the national "Green Building Award 2009". Hettich received the first prize to be presented in the "New Building" category.

Technik für Möbel



proudly supplied by



1-855-650-3265 | [www.rugbyabp.com](http://www.rugbyabp.com)