



Air

SALICE

UNITED
STATES
•
CANADA

Air - the truly concealed hinge



Air is an innovative and functional concealed hinge system, characterized by sophisticated design, compactness and very high performance qualities.

Like traditional hinges, Air is fully adjustable in three directions and also incorporates an integrated Soft Close mechanism for soft closing doors or the Push self-opening system for handle-less doors.

With a height of only 10mm, Air is recessed into the cabinet and the door and is practically invisible.

It can be used both with wood doors and aluminum framed doors. Whether used on small light doors or tall heavy doors, 2 hinges are all that is required to ensure a smooth and worry free action.

Air is also available in Titanium finish and suitable for numerous applications: kitchens, bathrooms, living areas and bedroom furniture or display cabinets.

Compact, stylish and elegant.

Air is the new fusion of technology and aesthetics.



Air



Technical features

Air hinges are offered with integrated soft close mechanism or Push opening. They are attached to the top and bottom panel of the cabinet.

For min. 18 mm (3/4") thick wood doors and for aluminum-framed doors.
 Max. door weight 25 Kg (55 lbs).
 Max. door dimensions: height 2700 mm (106"), width 610 mm (24").
 16.5 mm deep metal cup.
 L = 2.5 mm
 105° opening.
 Possible drilling distance on the door (K): from 3 mm (1/8") to 6 mm (1/4") for wood doors.
 Fixed K = 4 mm for aluminum-framed doors (DEL6LP300_).

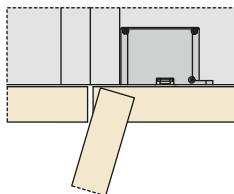
Space needed to open the door

The above values are calculated on the assumption that the doors have square edges. They are reduced if the doors have radiussed edges.

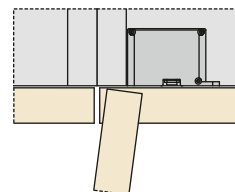
| | T= | 18 | 20 | 22 | 24 | 26 | 28 | 30 | 32 |
|-----|----|----|-----|-----|-----|-----|-----|-----|-----|
| K=4 | A= | 0 | 0.2 | 0.4 | 0.8 | 1.3 | 3.9 | 6.5 | 9.0 |
| K=5 | A= | 0 | 0.2 | 0.4 | 0.8 | 1.3 | 2.9 | 5.5 | 8.0 |
| K=6 | A= | 0 | 0.2 | 0.4 | 0.8 | 1.2 | 1.9 | 4.5 | 7.0 |

| | T= | 28 | 30 | 32 |
|-----|----|-----|-----|-----|
| K=4 | A= | 1.8 | 3.2 | 4.8 |
| K=5 | A= | 1.7 | 2.8 | 4.3 |
| K=6 | A= | 1.6 | 2.8 | 4.0 |

105° door opening

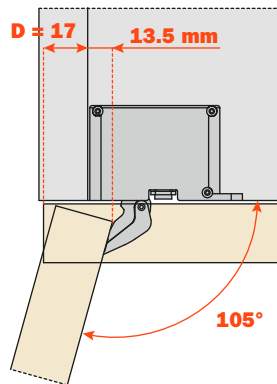


Door opening with stop device at 92°

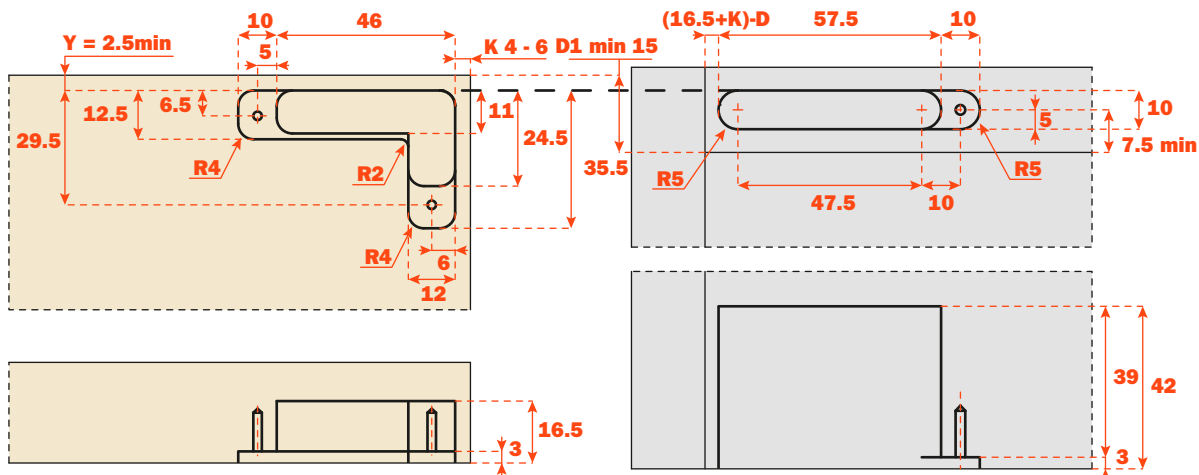


Door protrusion

Door protrusion from the cabinet side at the max. opening. The figures are based on K value = 4 and door overlay = 17 mm.



Drilling scheme for the hinge



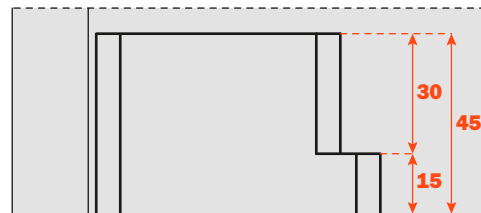
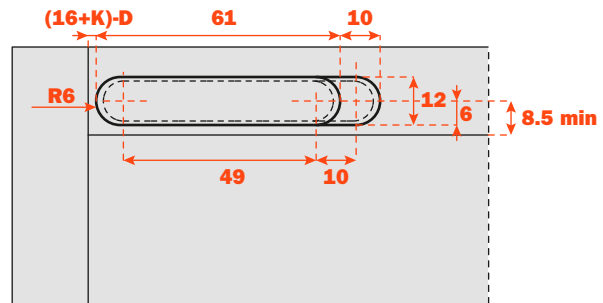
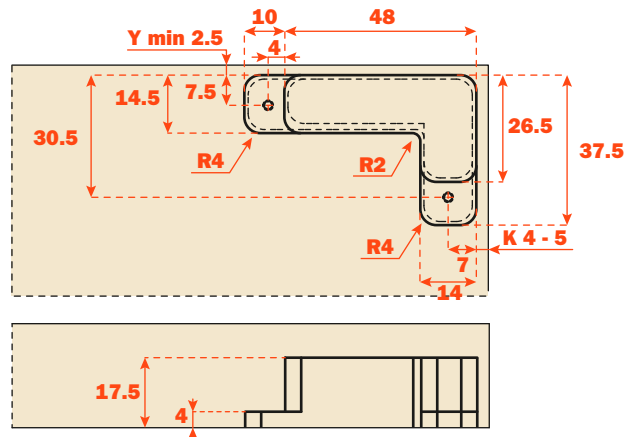
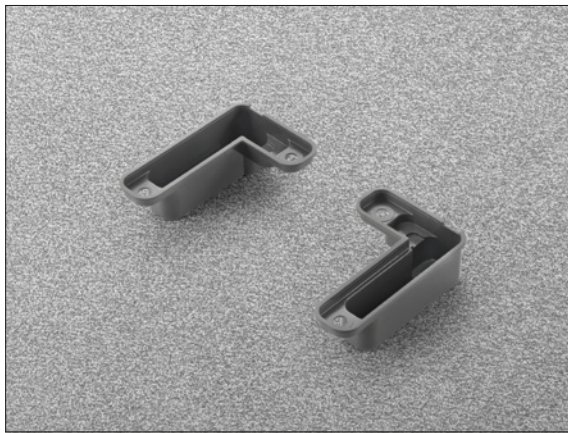
Sleeves assembly on wood doors

Air can be equipped with sleeves for the hinge cup and arm. The sleeves are inserted respectively into the door and the cabinet and make the insertion of the hinge easier as well as hiding any surface imperfections caused by the machining of the cabinet.

The sleeve for the arm, which is inserted into the panel, provides additional support for Air when used in thinner materials. We recommend the use of a low-expansion, single-component polyurethane adhesive, suitable for bonding wood to metal.

Moreover, to supplement the adhesive bond, it is possible to insert two 3.5x20 screws (not supplied) through the bottom of the holder.

The sleeves are available in two colors, matching hinges with nickel-plated and titanium finish.

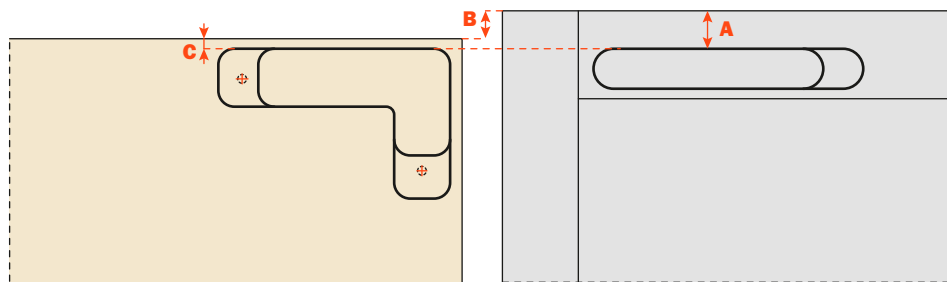


Formulas to determine the distance for the insertion of the sleeves for arm.

$$A = B + C$$

$$B = A - C$$

$$C = A - B$$

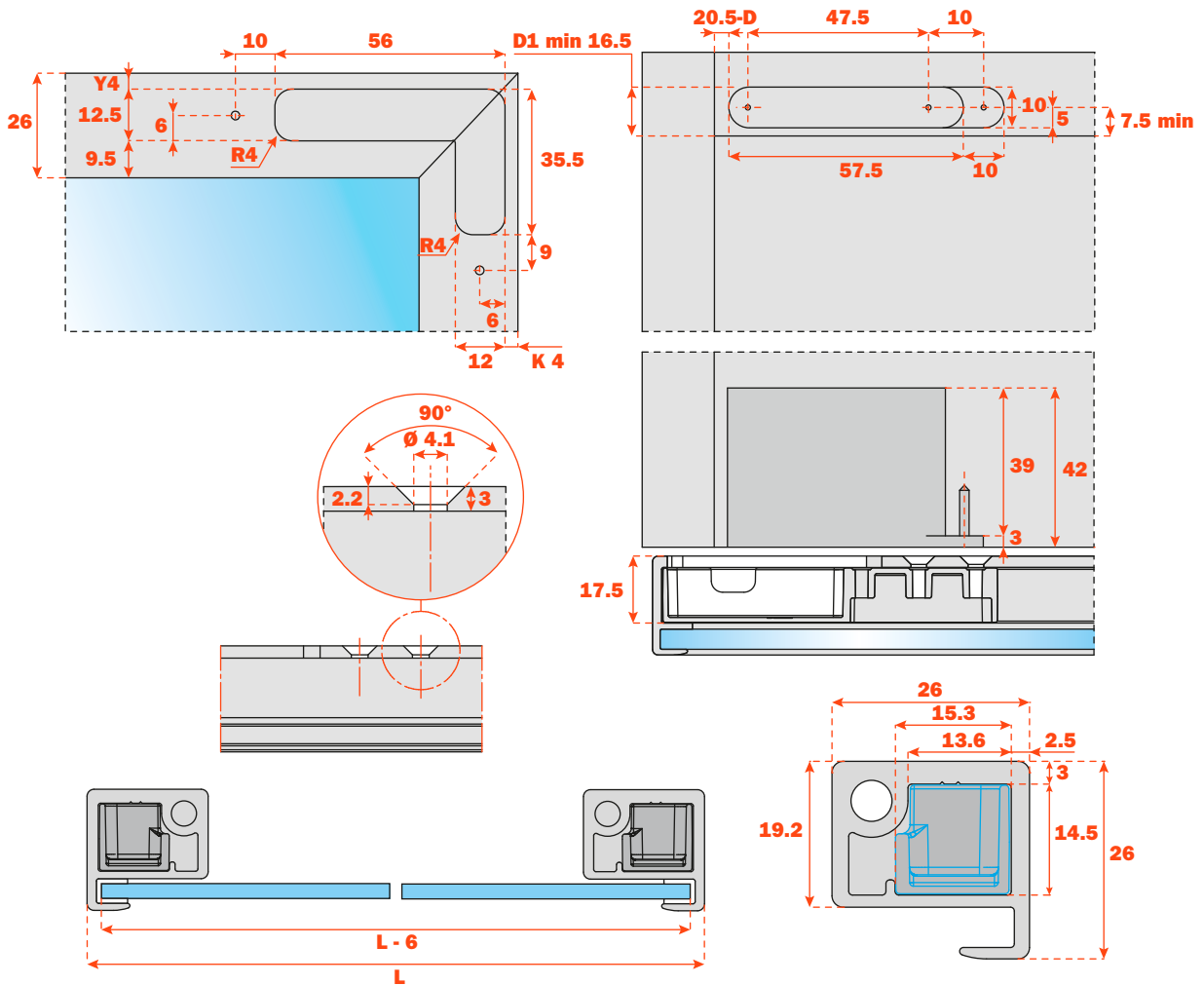


Air - Sleeves assembly on aluminum-framed doors

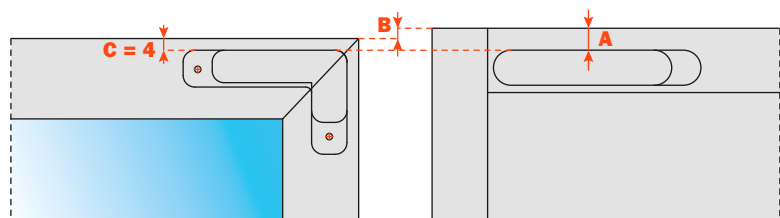


Assembly on the aluminum frame DEL6LP300_.

Dimensions of the frame 26x26 mm.



Formulas to determine the distance for the insertion of the sleeves for arm.



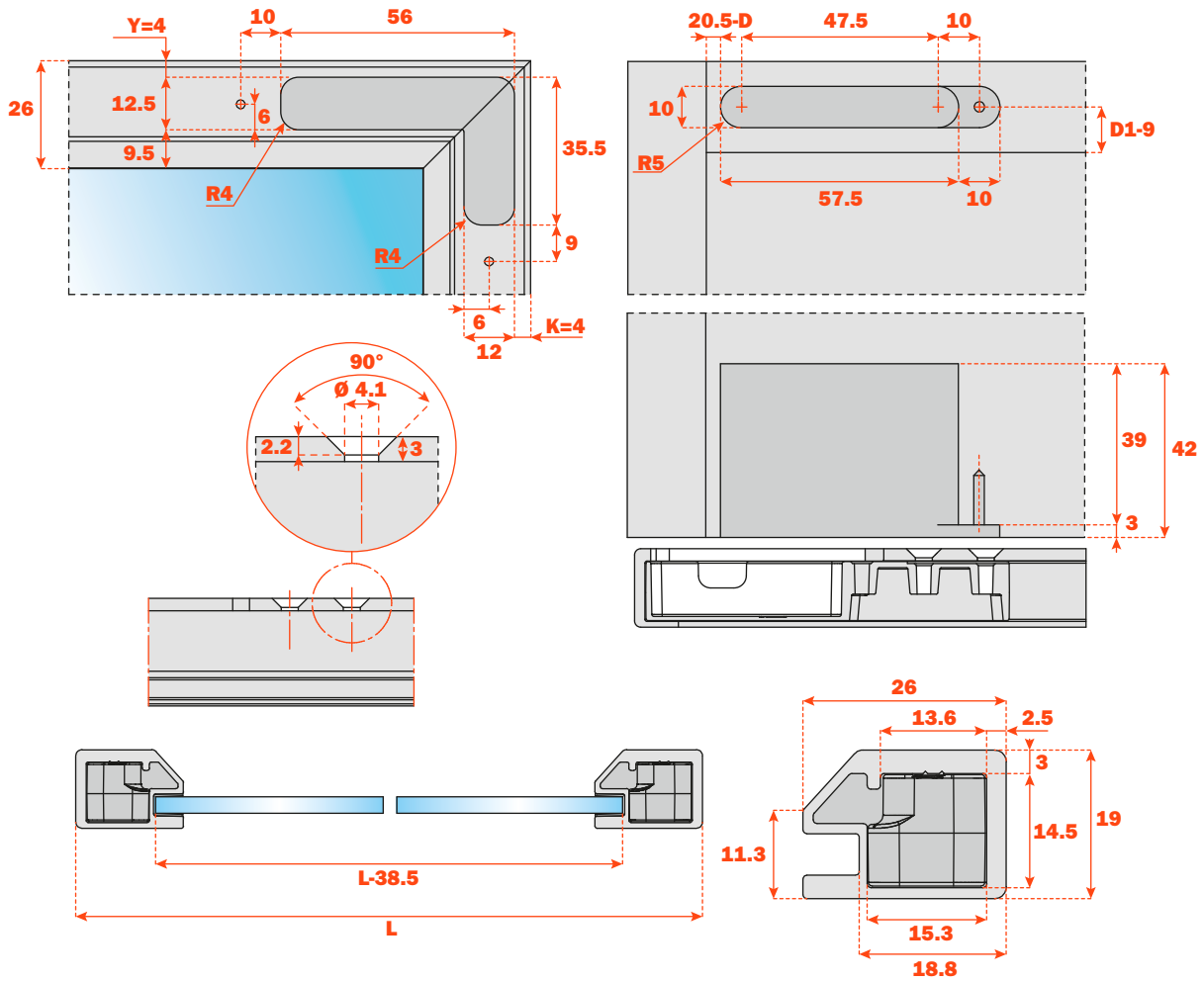
$$A = B + 4$$

$$B = A - 4$$

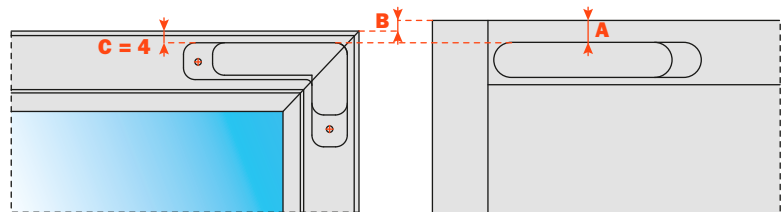


Assembly on the aluminum frame DEL9LP300_.

Dimensions of the frame 26x19 mm.



Formulas to determine the distance for the insertion of the sleeves for arm.



$$A = B + 4$$

$$B = A - 4$$

Air - Packaging
INDUSTRIAL PACKAGING


| Closing/Opening action | Nickel-plated finish | Titanium finish | Industrial packaging |
|------------------------|----------------------|-------------------|--|
| Soft close | CEL6DE9XXI | CEL6DE6XXI | Boxes 100 pcs. Pallets 2.400 pcs. Fixing screws included |
| Push | CELPD99XXI | CELPD66XXI | |

| Closing/Opening action | Nickel-plated finish | Titanium finish | Industrial packaging |
|------------------------|----------------------|-------------------|--|
| Soft close | CEL6SE9XXI | CEL6SE6XXI | Boxes 100 pcs. Pallets 2.400 pcs. Fixing screws included |
| Push | CELPS99XXI | CELPS66XXI | |

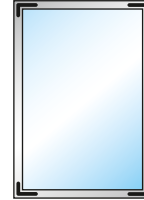
DOOR-SET Packaging


| Closing/Opening action | Nickel-plated finish | Titanium finish | Door-kit packaging |
|------------------------|----------------------|-------------------|--|
| Soft close | CEL6XE9XXV | CEL6XE6XXV | Box 12 bags Large boxes 72 bags Pallets 864 bags 1 bag contains 1door-set of hinges and fixing screws |
| Push | CELPX99XXV | CELPX66XXV | |

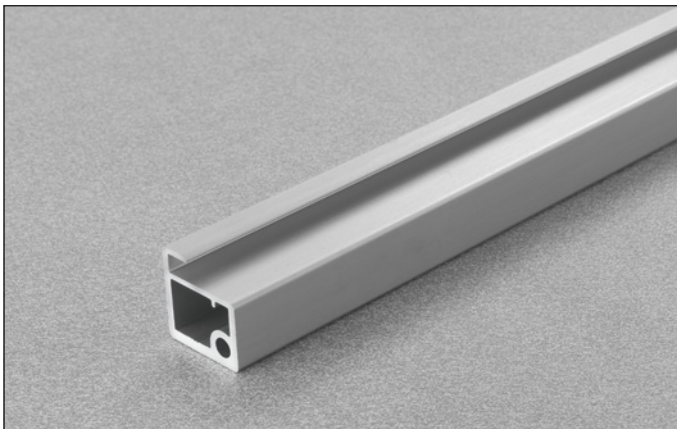
Accessories for aluminum frame



Corner connectors for the frame assembly of the doors and the fixing of the hinge.

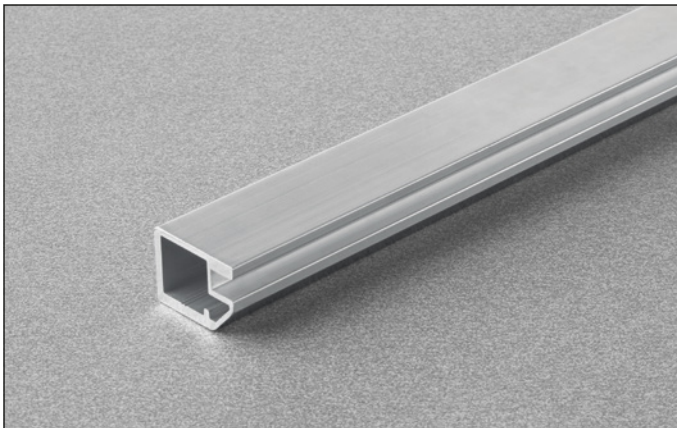


| Part number | Packaging |
|-------------------|--|
| DEL6BSFV02 | Boxes of 25 bags 1 bag contains: 4 corner connectors and assembly screws |



Aluminum door profile, 26-mm width, for glass insertion (4 mm).

| Part number | Packaging | Length |
|-------------------|-------------------------------|----------|
| DEL6LP300P | 12 units in anodized Aluminum | 3 metres |
| DEL6LP300T | 12 units in Titanium finish | 3 metres |



Aluminum door profile, 19-mm width, for glass insertion (4 mm).

| Part number | Packaging | Length |
|-------------------|-------------------------------|----------|
| DEL9LP300P | 14 units in anodized Aluminum | 3 metres |
| DEL9LP300T | 14 units in Titanium finish | 3 metres |



Gasket for glass.

| Part number | Packaging | Length |
|-------------------|-------------|----------|
| D206AG3000 | 120 gaskets | 3 metres |

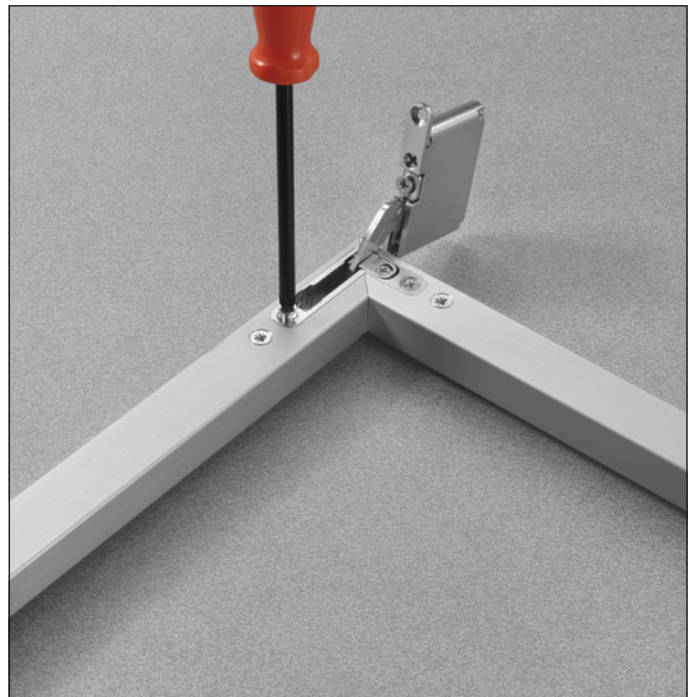
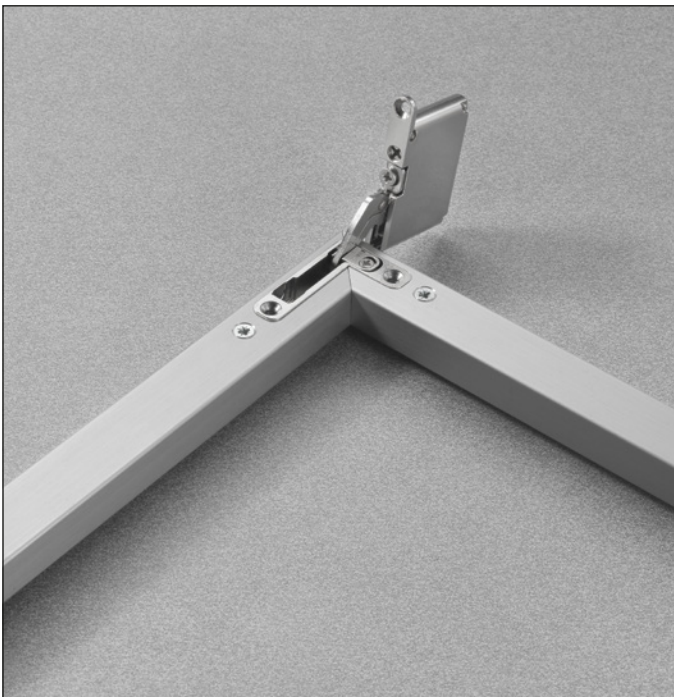
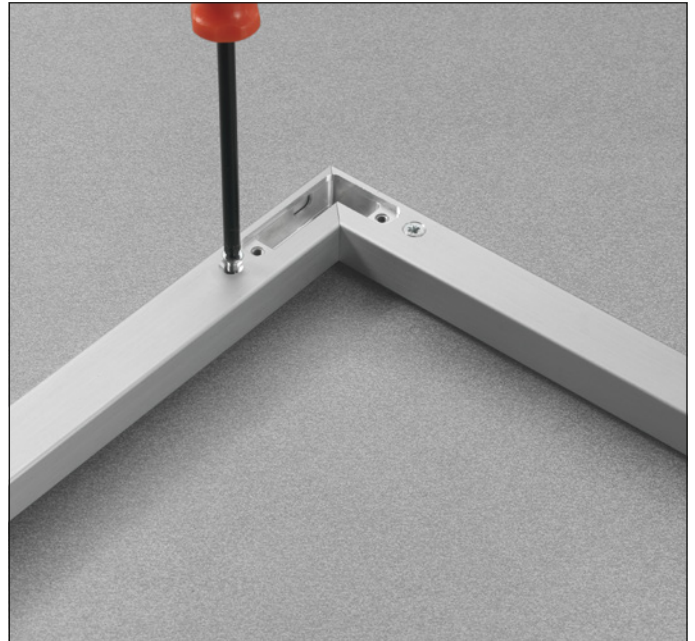
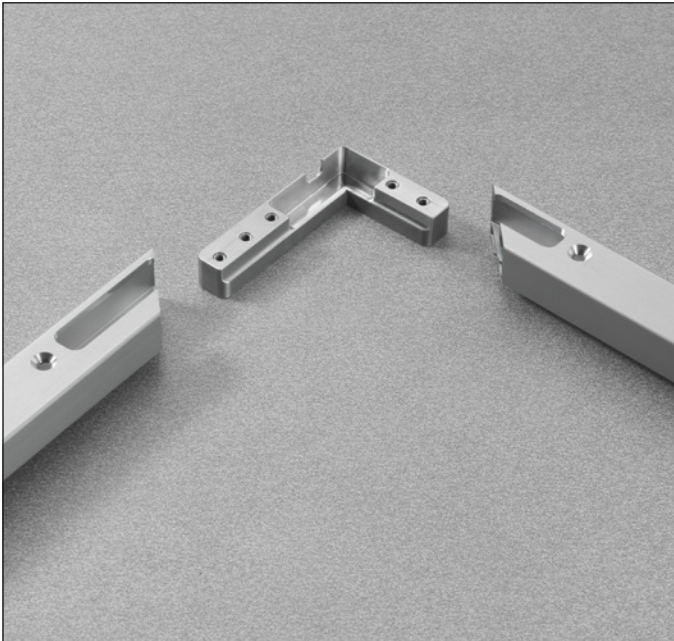
Air - Aluminum frame assembly

The profiles which make up the door must be cut and the ends mitered at 45°, and milled for the insertion of the corner connectors.

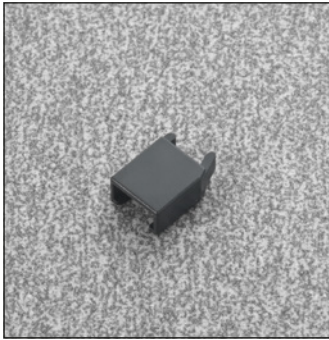
Insert the corner connectors into the profile and fix them with the screws provided.

Insert the hinges into the recesses.

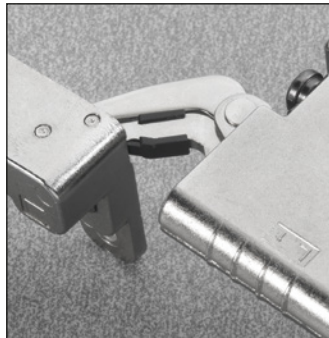
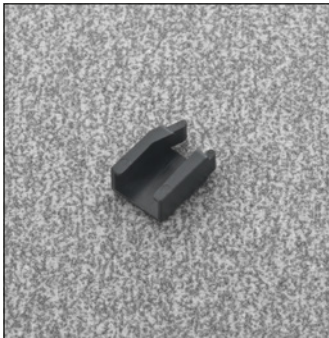
Fix with the screws provided.



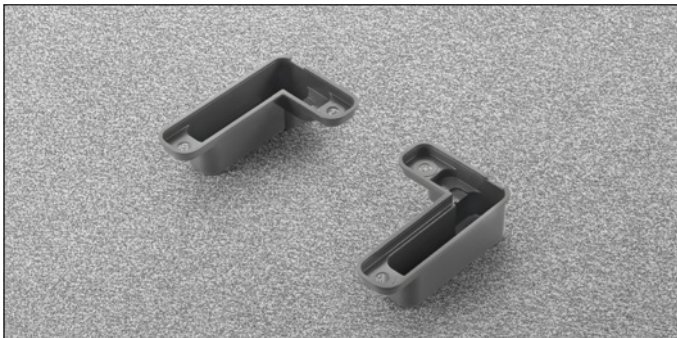
Accessories



Restrictor to reduce opening angle to 92 deg.



| Part number | Packaging |
|-----------------|---------------------|
| SEL637X3 | Boxes of 500 pieces |



Sleeves for cup, to be inserted into the door .
They allow an easier insertion of the hinge as well as hiding any surface imperfections caused by the machining of the door.

| Part number | Packaging |
|-------------------|---------------------|
| SELX86X6XD | Boxes of 100 pieces |
| SELX86X6XS | Boxes of 100 pieces |



Sleeves for arm, to be inserted and attached into the top or bottom panel of the cabinet to provide additional support for Air when it is used in thinner materials as well as hiding any surface imperfections caused by the machining of the cabinet.

| Part number | Packaging |
|-----------------|---|
| SELX77X9 | Boxes of 36 bags · 1 bag contains: 2 sleeves 2 fixing screws for hinges |
| SELX77X6 | Boxes of 36 bags · 1 bag contains: 2 sleeves 2 fixing screws for hinges |

Air - chart

| K1 = Drilling distance for door | 3 | 3.5 | 4* | 4.5 | 5 | 5.5 | 6 |
|-----------------------------------|----------------|------|------|------|------|------|------|
| K2 = top/bottom drilling distance | | | | | | | |
| 0 | 19.5 | 20 | 20.5 | 21 | 21.5 | 22 | 22.5 |
| 0.5 | 19 | 19.5 | 20 | 20.5 | 21 | 21.5 | 22 |
| 1 | 18.5 | 19 | 19.5 | 20 | 20.5 | 21 | 21.5 |
| 1.5 | 18 | 18.5 | 19 | 19.5 | 20 | 20.5 | 21 |
| 2 | 17.5 | 18 | 18.5 | 19 | 19.5 | 20 | 20.5 |
| 2.5 | 17 | 17.5 | 18 | 18.5 | 19 | 19.5 | 20 |
| 3 | 16.5 | 17 | 17.5 | 18 | 18.5 | 19 | 19.5 |
| 3.5 | 16 | 16.5 | 17 | 17.5 | 18 | 18.5 | 19 |
| 4 | 15.5 | 16 | 16.5 | 17 | 17.5 | 18 | 18.5 |
| 4.5 | 15 | 15.5 | 16 | 16.5 | 17 | 17.5 | 18 |
| 5 | 14.5 | 15 | 15.5 | 16 | 16.5 | 17 | 17.5 |
| 5.5 | 14 | 14.5 | 15 | 15.5 | 16 | 16.5 | 17 |
| 6 | 13.5 | 14 | 14.5 | 15 | 15.5 | 16 | 16.5 |
| 6.5 | 13 | 13.5 | 14 | 14.5 | 15 | 15.5 | 16 |
| 7 | 12.5 | 13 | 13.5 | 14 | 14.5 | 15 | 15.5 |
| 7.5 | 12 | 12.5 | 13 | 13.5 | 14 | 14.5 | 15 |
| 8 | 11.5 | 12 | 12.5 | 13 | 13.5 | 14 | 14.5 |
| 8.5 | 11 | 11.5 | 12 | 12.5 | 13 | 13.5 | 14 |
| 9 | 10.5 | 11 | 11.5 | 12 | 12.5 | 13 | 13,5 |
| | OVERLAY | | | | | | |

See page #4 for minimum reveal/space needed to open the door.

* 4mm drilling distance on aluminum frame doors. Max overlay is 20.5mm overlay with a K2 of 0mm.

Wood Doors:

1. Select the overlay desired in the white section of the chart.
2. Follow the column to the top (K1) and then follow the row to the left (K2) to determine drilling distance for the door and the top & bottom panel.

NOTE: It is recommended to choose the overlay that allows the largest drilling distance for the door and panels.
Example: 17.5mm overlay, drill door at K1 of 6mm and K2 at 5mm.

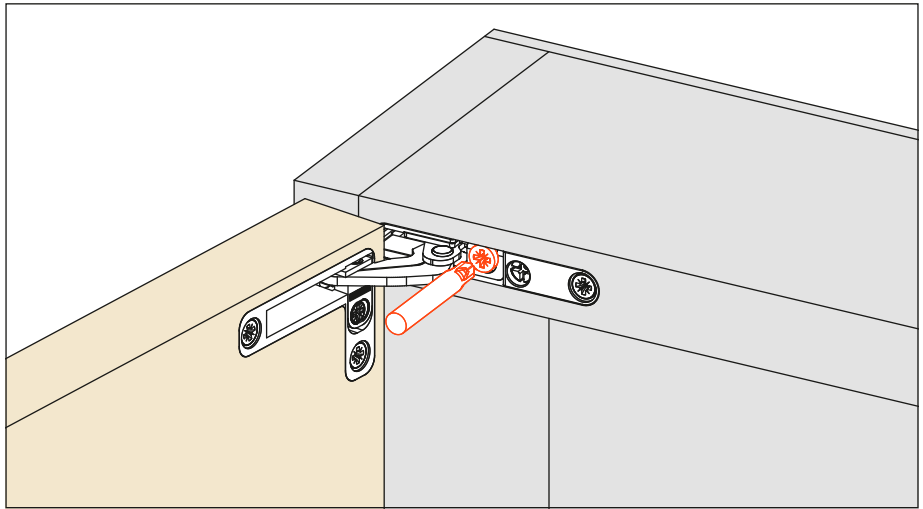
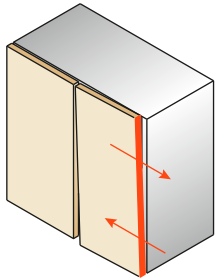
Aluminum Doors:

1. Select the overlay desired in the white section of the chart using the K1 column of 4mm.
2. Follow the column to the top (K1) and then follow the row to the left (K2) to determine drilling distance for the door and the top & bottom panel.

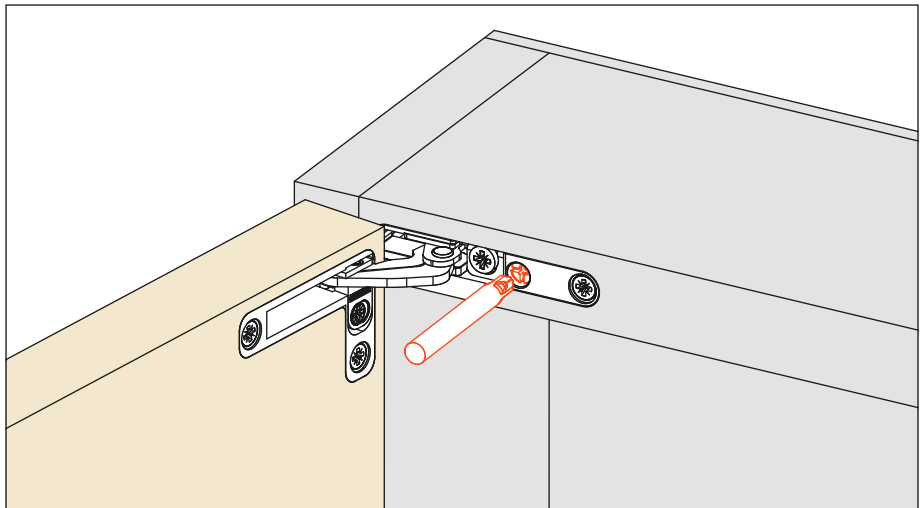
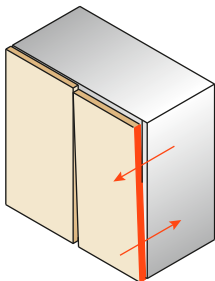
Example: 17.5mm overlay, drill door at K1 of 4mm and K2 at 3mm.

Air - Adjustments

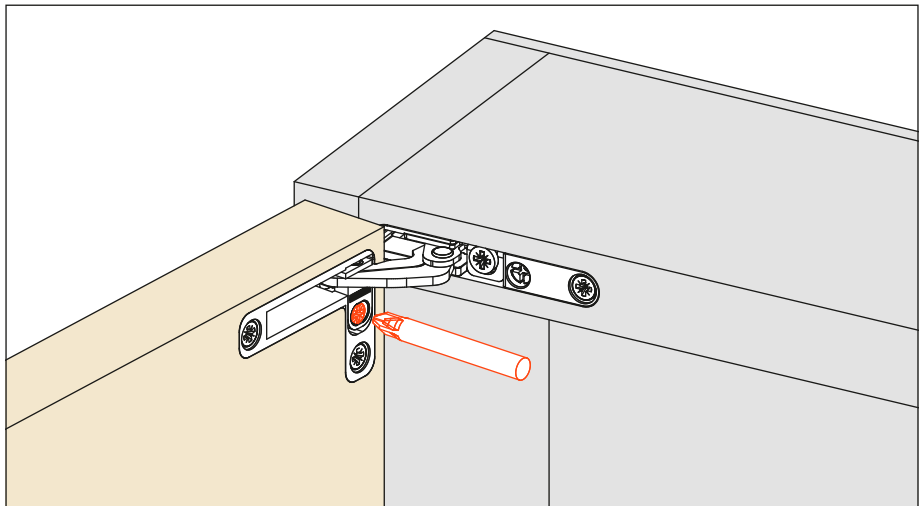
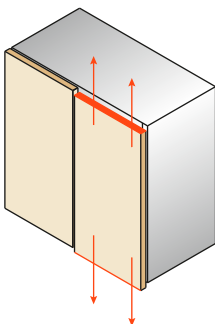
Side adjustment range +2 to -2



Depth adjustment range +2 to -0.5



Height adjustment range +1.5 to -1.5



Note: Always use a #2 Pozzi screw driver for adjustments.



Magnetic Push

Magnetic Push - Release device and retaining catches

DPMSNB - beige



DPMSNG - grey



Release device.
ø 10 mm, 40 mm length.

Packaging

Box 250 pieces · Carton 1.500 pieces

DPASNB - beige



DPASNG - grey



Magnetic device to be used to increase the magnetic holding strength. It must always be used together with the DPM. The suggested position of the DPM is the point of pressure on the door. The DPA can be positioned at any point along the opening edge of the door. ø 10 mm, 40 mm length.

Packaging

Box 250 pieces · Carton 1.500 pieces

DP39XXG



Adjustable magnetic catch.
Inserted into the door.
ø 15 mm

Packaging

Box 250 pieces

DP28SN9



Retaining catch to be inserted with pin.
ø 11.5 mm surface.

Packaging

Box 250 pieces

DP38XX91



Retaining catch with adhesive.
20x14 mm surface.

Packaging

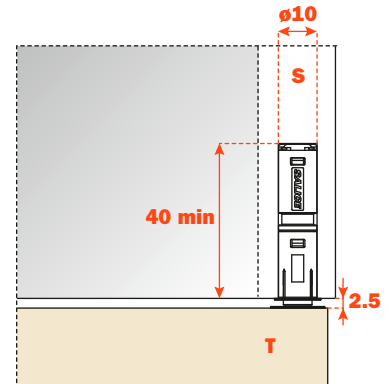
Box 250 pieces

Release device application

Release/Magnetic device to be inserted

Drill a hole \varnothing 10 mm and min. 40 mm depth in the top, the side or the bottom panel of the cabinet.

Insert the release device into the hole.

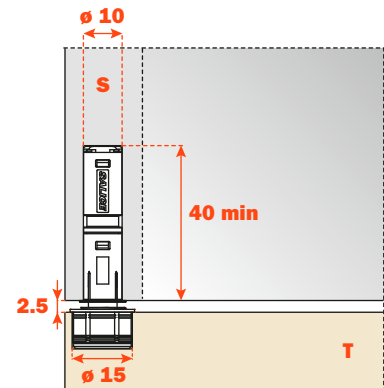


Adjustable magnetic catch

The adjustable catch DP39 is itself magnetic and together with the magnetism of the release device DPM considerably increases the holding strength (30%) of the door against the cabinet side, thus avoiding accidental opening.

For the installation it is necessary to drill a hole \varnothing 15 mm and 11 mm depth in the door.

Depth adjustment from +2.5mm / - 0.5mm



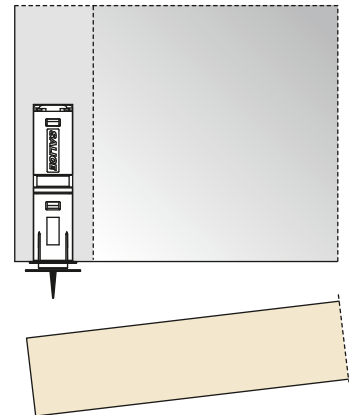
Retaining catch to be inserted

Apply the retaining catch to the magnetic release device.

Close the door.

The point of the retaining catch will show where to insert it.

Reopen the door and press the retaining catch.



Retaining catch with adhesive strip

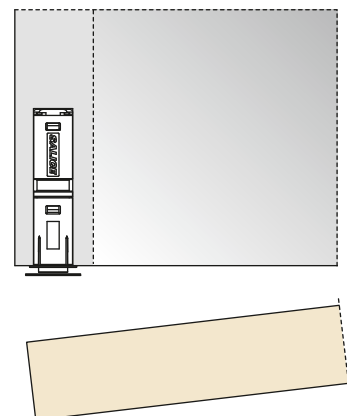
Apply the retaining catch to the magnetic release device. Remove the protective strip from the adhesive. Close the door and the retaining catch is positioned on the door. Reopen the door and apply a firm pressure to the retaining catch to ensure a correct installation.

ATTENTION:

For a correct application and to ensure optimal endurance, we suggest these guidelines are followed:

- 1 - clean and degrease the door surface where the retaining catch is to be installed;
- 2 - remove the protective strip from the adhesive;
- 3 - place the retaining catch in position, in a place that is at room temperature $\geq 10^\circ$ (50°F) and apply a firm pressure for 10-15 seconds.

After few seconds from the installation the retaining catch is suitable for the use. After 24h the max. hold is attained.



SALICE AMERICA INC.

2123 CROWN CENTRE DRIVE
CHARLOTTE NC. 28227
TEL. 704 841 7810
FAX. 704 841 7808
info.salice@saliceamerica.com
www.saliceamerica.com

SALICE CANADA INC.

3500 RIDGEWAY DRIVE, UNIT#1
MISSISSAUGA, ONTARIO, L5L 0B4
TEL. 905 820 8787
FAX. 905 820 7226
info.salice@salicecanada.com
www.salicecanada.com

DOCASAA15USACDN - Ed 07 - 07/2023

Proudly Supplied By



1-855-650-3265 | www.rugbyabp.com