



EvoLift - Opening system

SALICE



Flap door

Attachment instructions

page 8

Part number composition and packaging

page 16

Part number composition and packaging - Push

page 20

Charts to select the strength of the system

page 24



EvoLift - Flap door opening system



EvoLift - Flap door opening system





EvoLift - Flap door opening system

Attachment instructions

Drilling pattern for wood door.

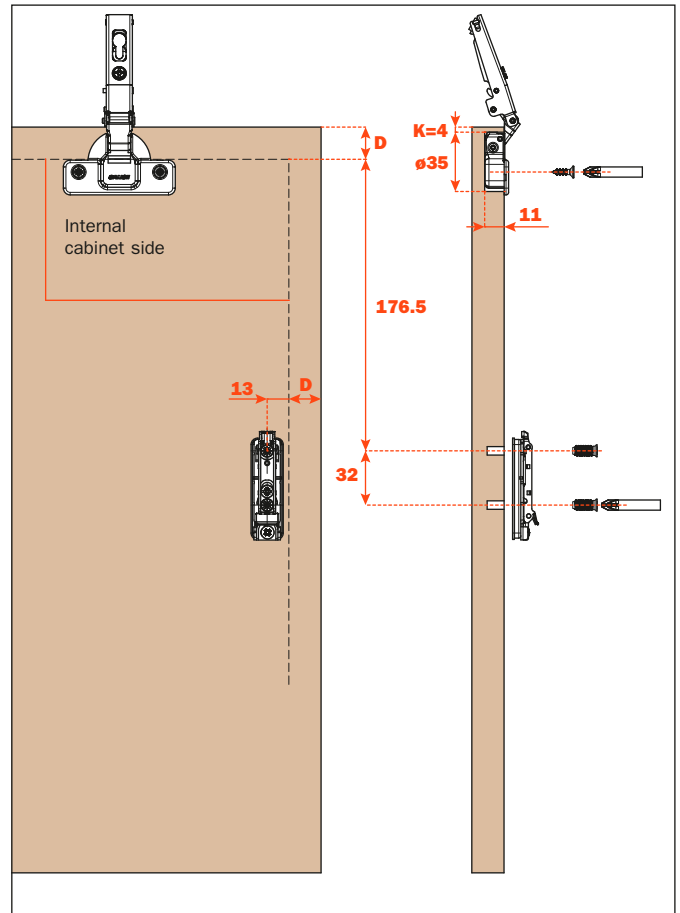
Hinges for doors with soft-close and handles
C2P6A99 - screw
C2R6A99 - dowel

Hinges for doors with Push opening

(Push hinges) for a more decisive opening
C2PPA99 - screw
C2RPA99 - dowel

(unsprung hinges) for a softer opening
C2P4A99 - screw
C2R4A99 - dowel

D = side and upper overlay



Drilling pattern for alu-framed door width min. 17 mm max. 24 mm.

For alu-framed door, attach the mounting plate to the appropriate adapter.

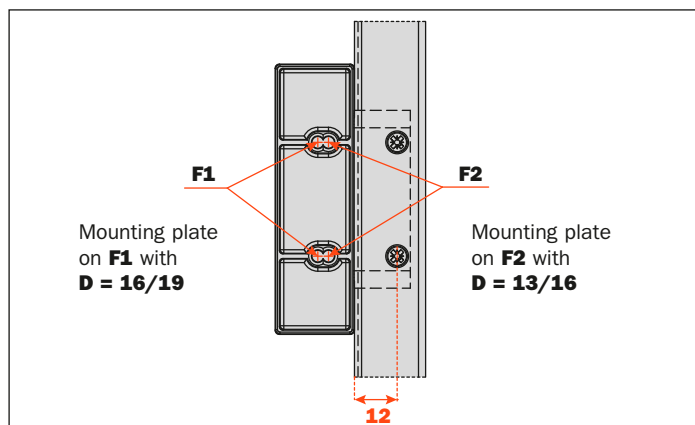
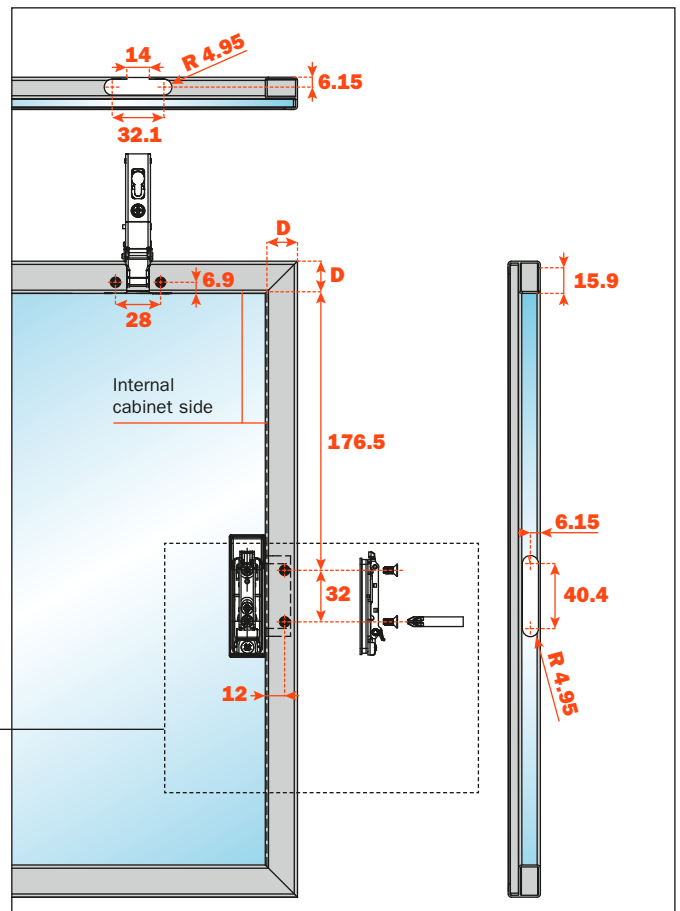
Hinges for doors with soft-close and handles
C2Z6A99 - screw

Hinges for doors with Push opening

(Push hinges) for a more decisive opening
C2ZPA99 - screw

(unsprung hinges) for a softer opening
C2Z4A99 - screw

D = side and upper overlay





Drilling pattern for alu-framed door width min. 45 mm.

Hinges for doors with soft-close and handles

C2P6A99 - screw

C2R6A99 - dowel

Hinges for doors with Push opening

(Push hinges) for a more decisive opening

C2PPA99 - screw

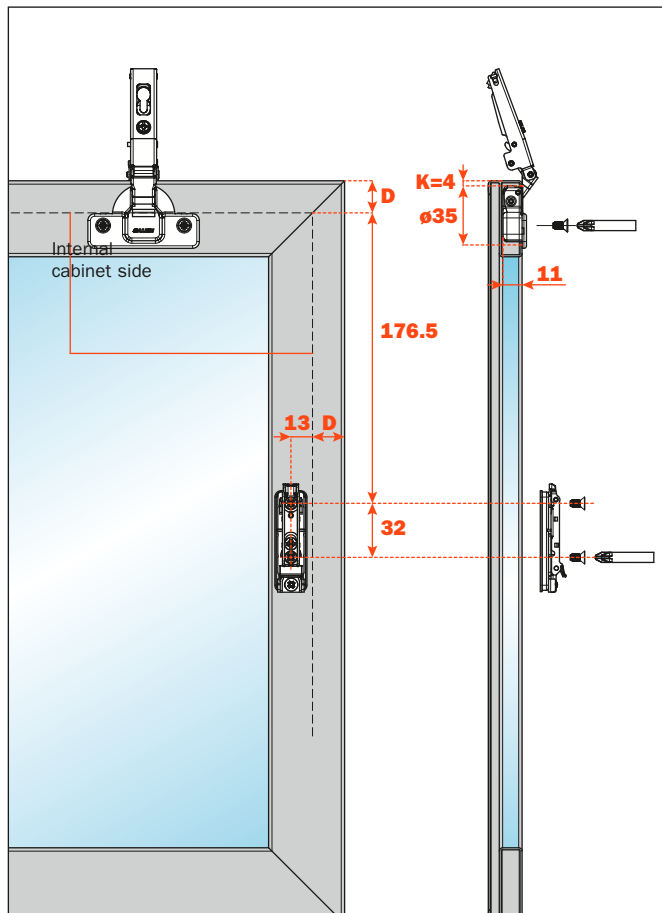
C2RPA99 - dowel

(unsprung hinges) for a softer opening

C2P4A99 - screw

C2R4A99 - dowel

D = side and upper overlay

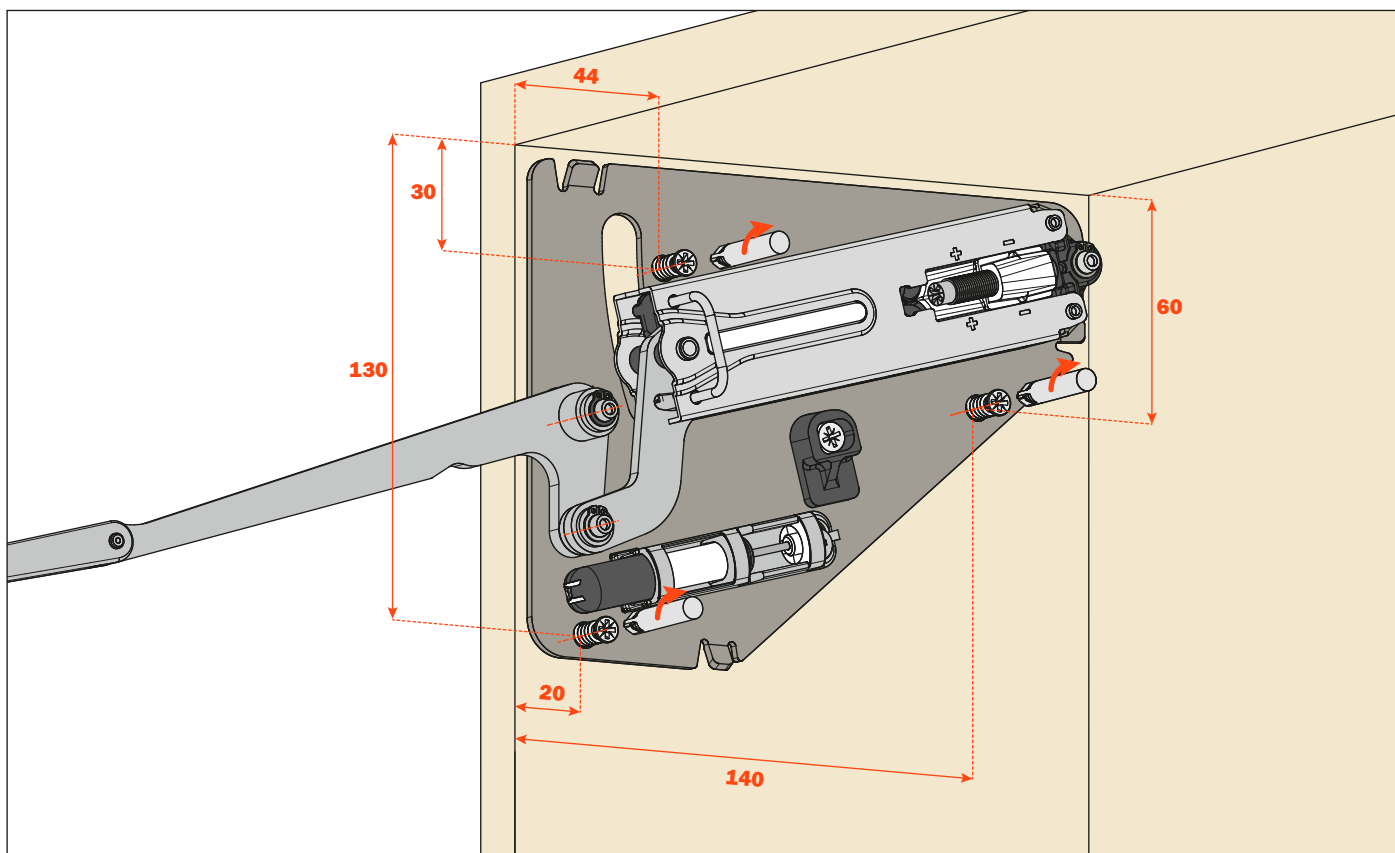


EvoLift - Flap door opening system

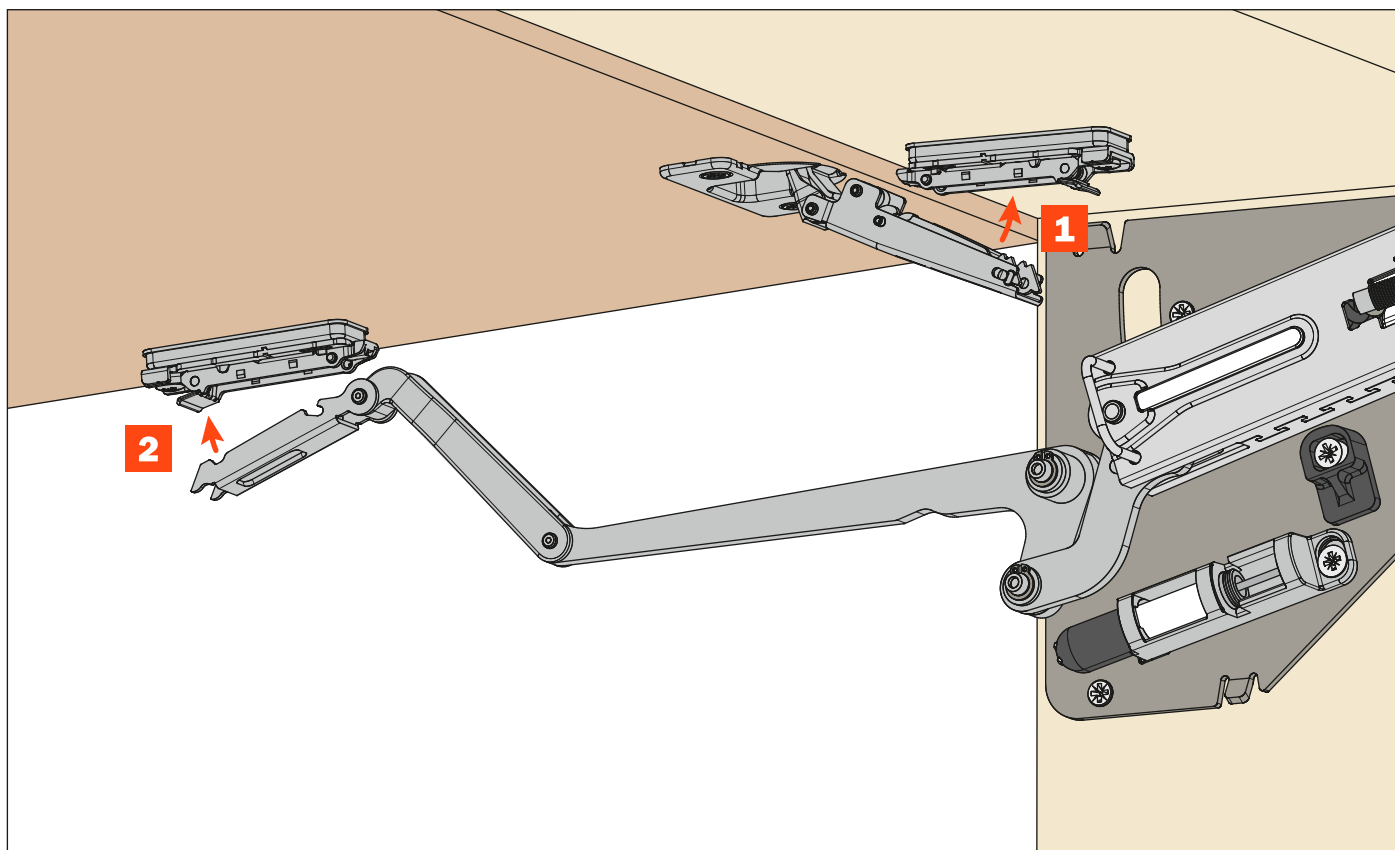
Attachment instructions

Attaching the system to the cabinet side.

Drilling depth 12 mm - Hole diameter \varnothing 5 mm



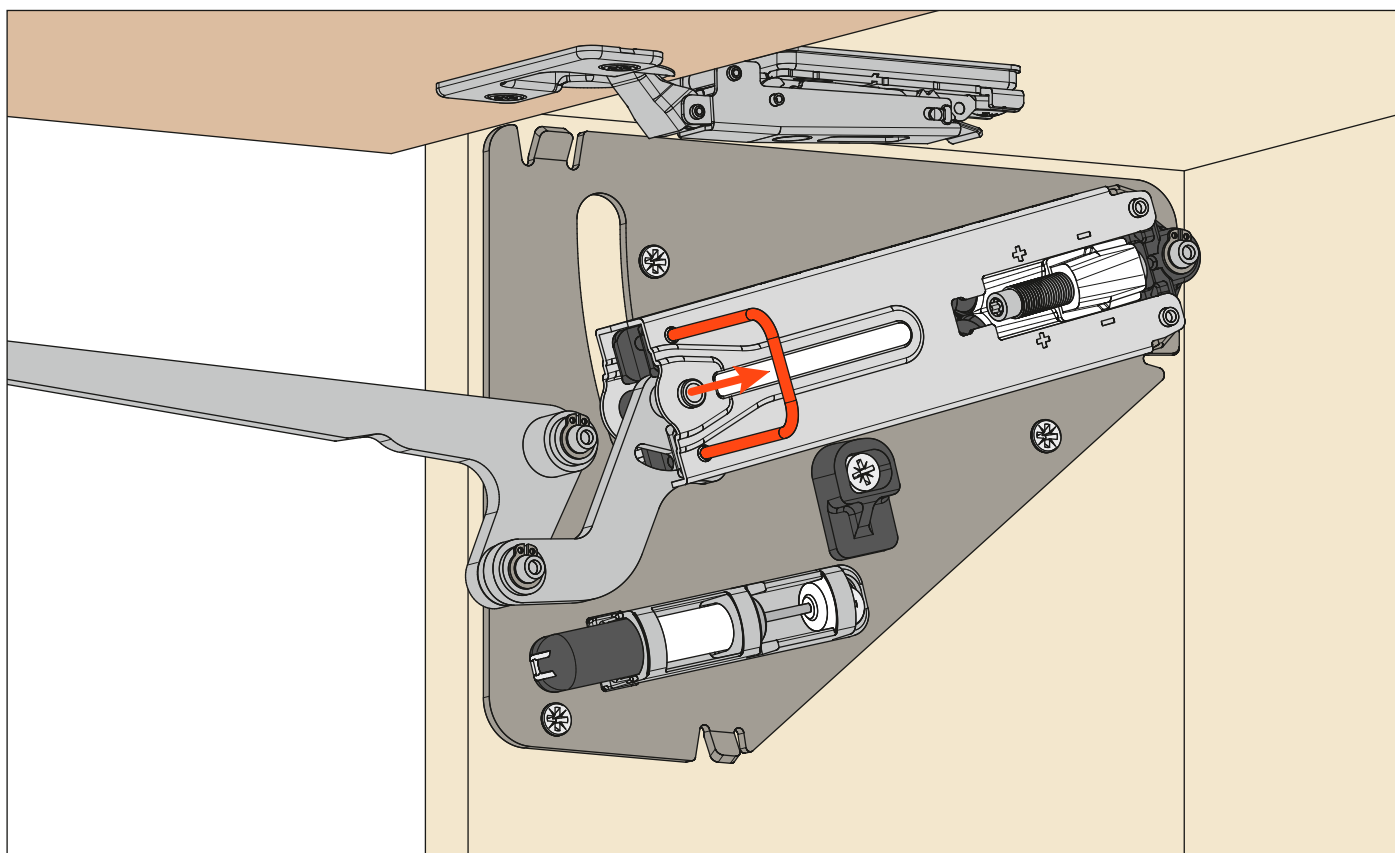
Attaching the door to the cabinet.





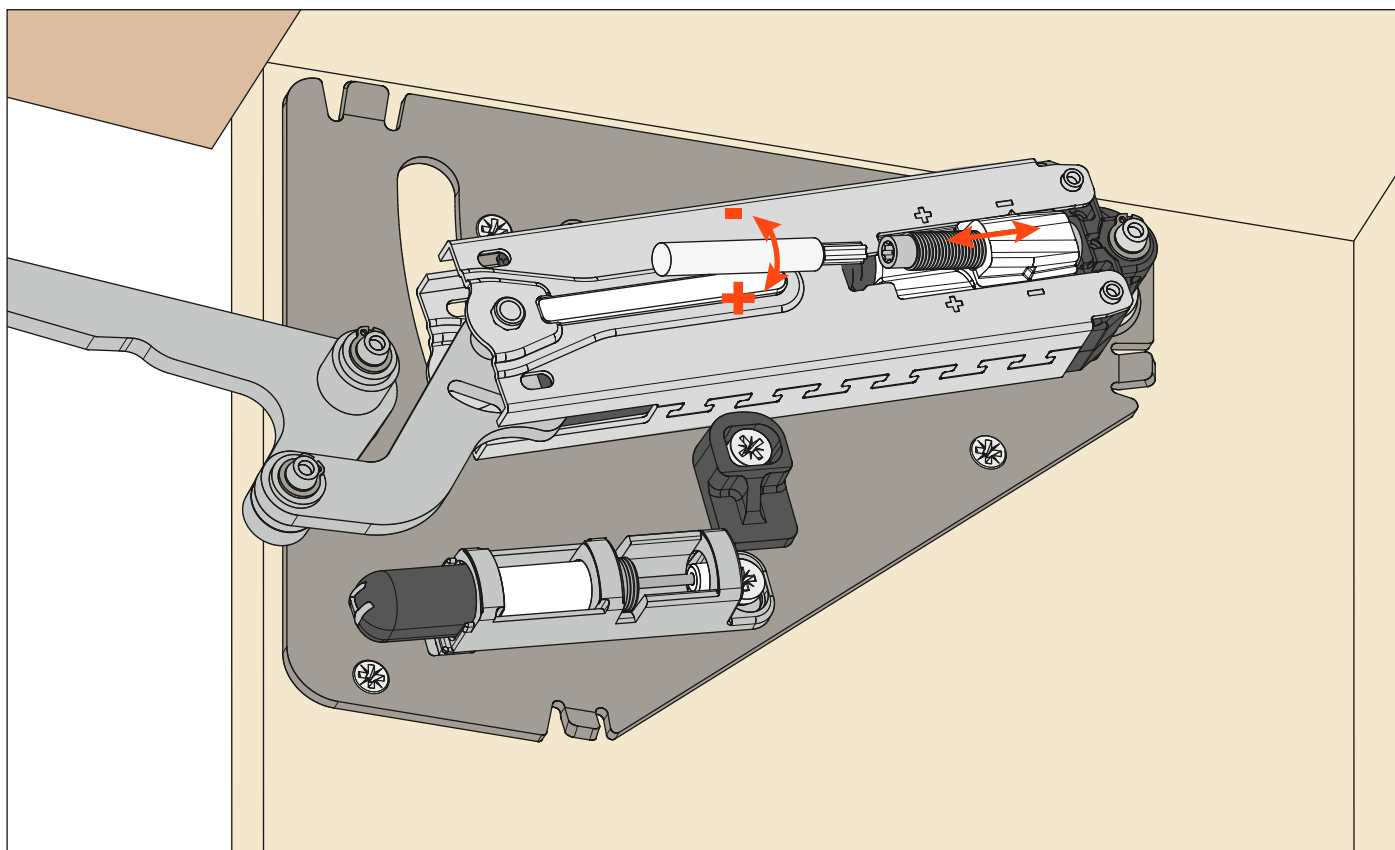
Removing the safety clip.

Lower the door slightly until the safety clip can be easily removing.



Adjustment of the system strength.

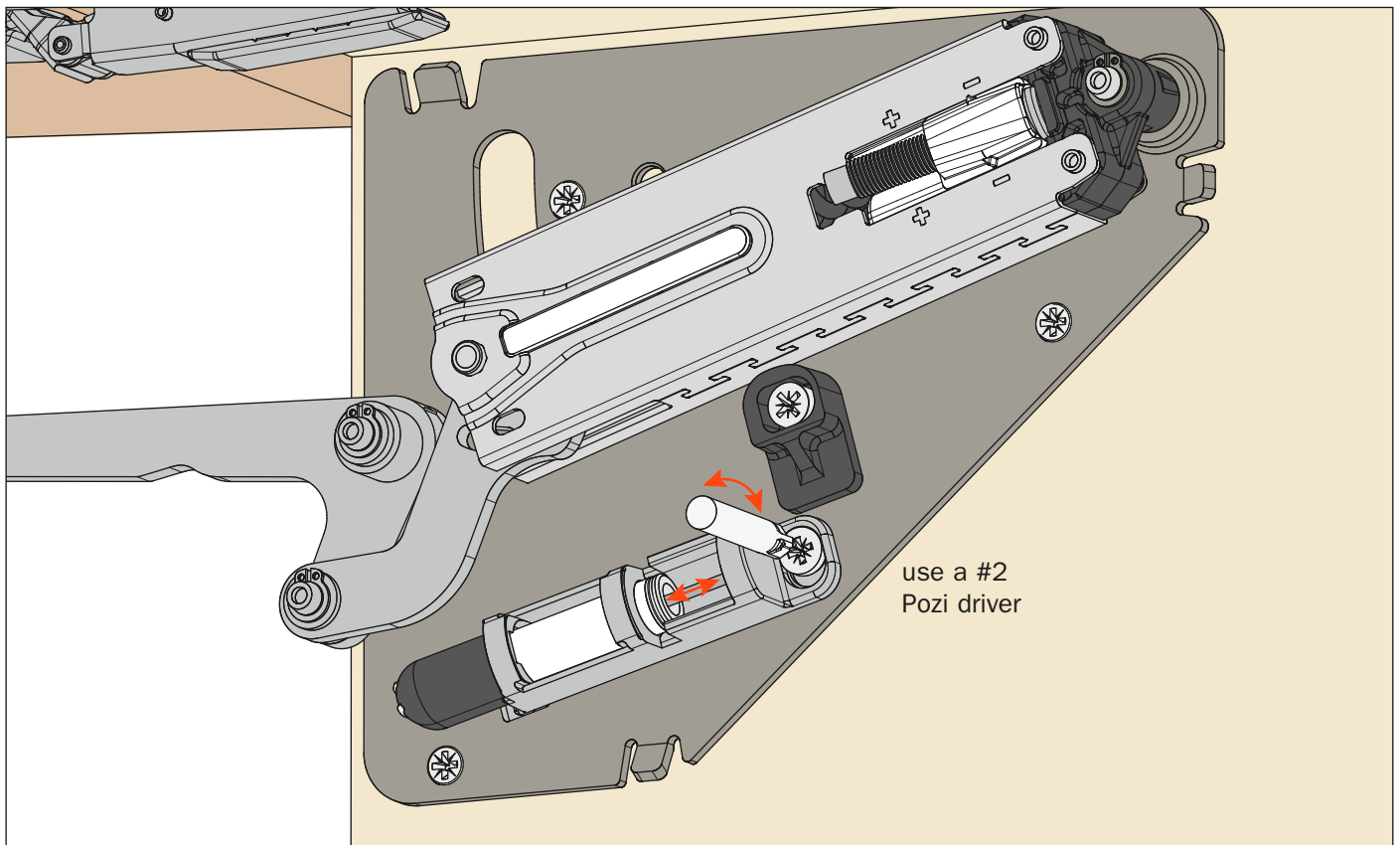
Use a Torx bit T20.



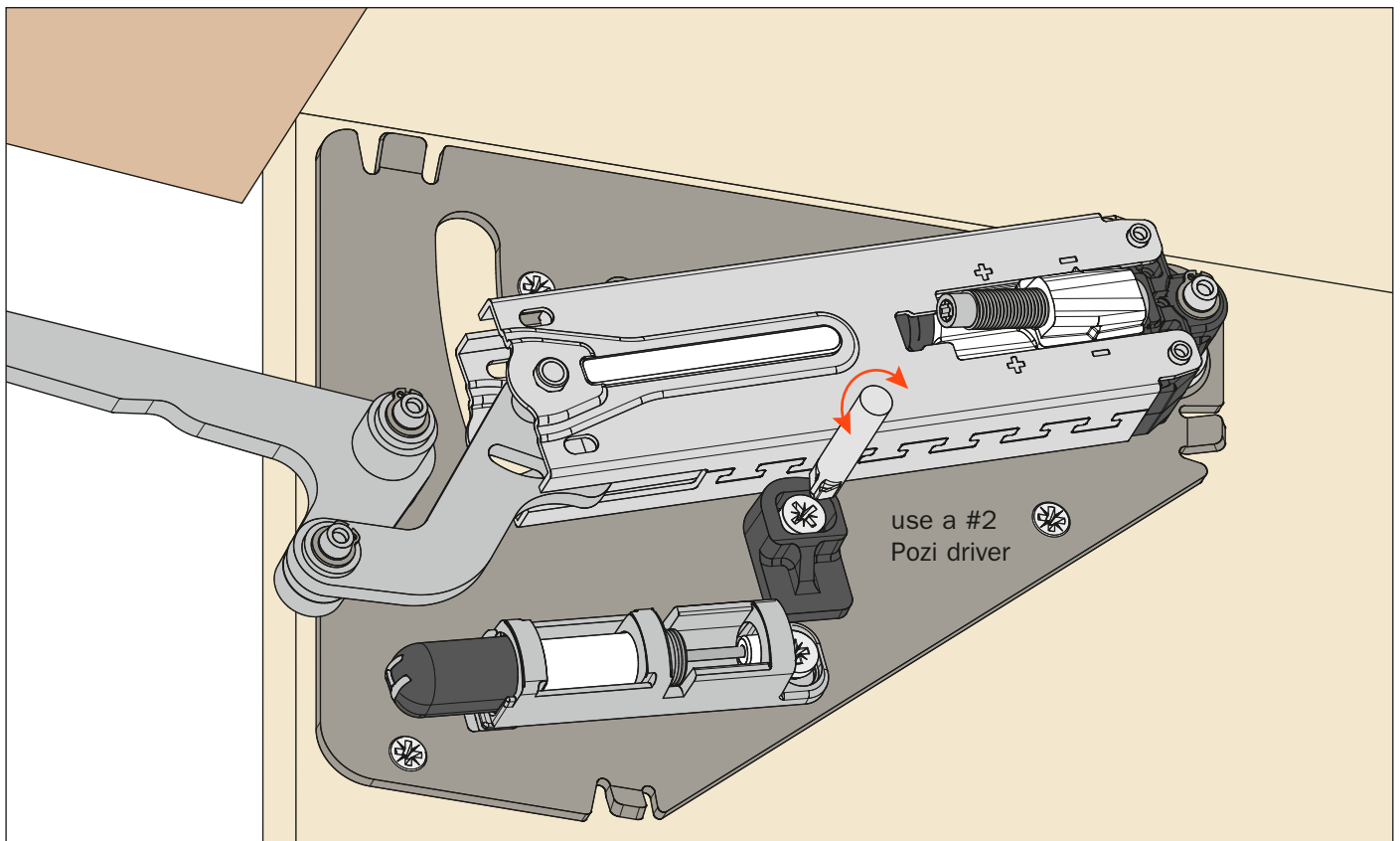
EvoLift - Flap door opening system

Attachment instructions

Adjustment of the soft close.

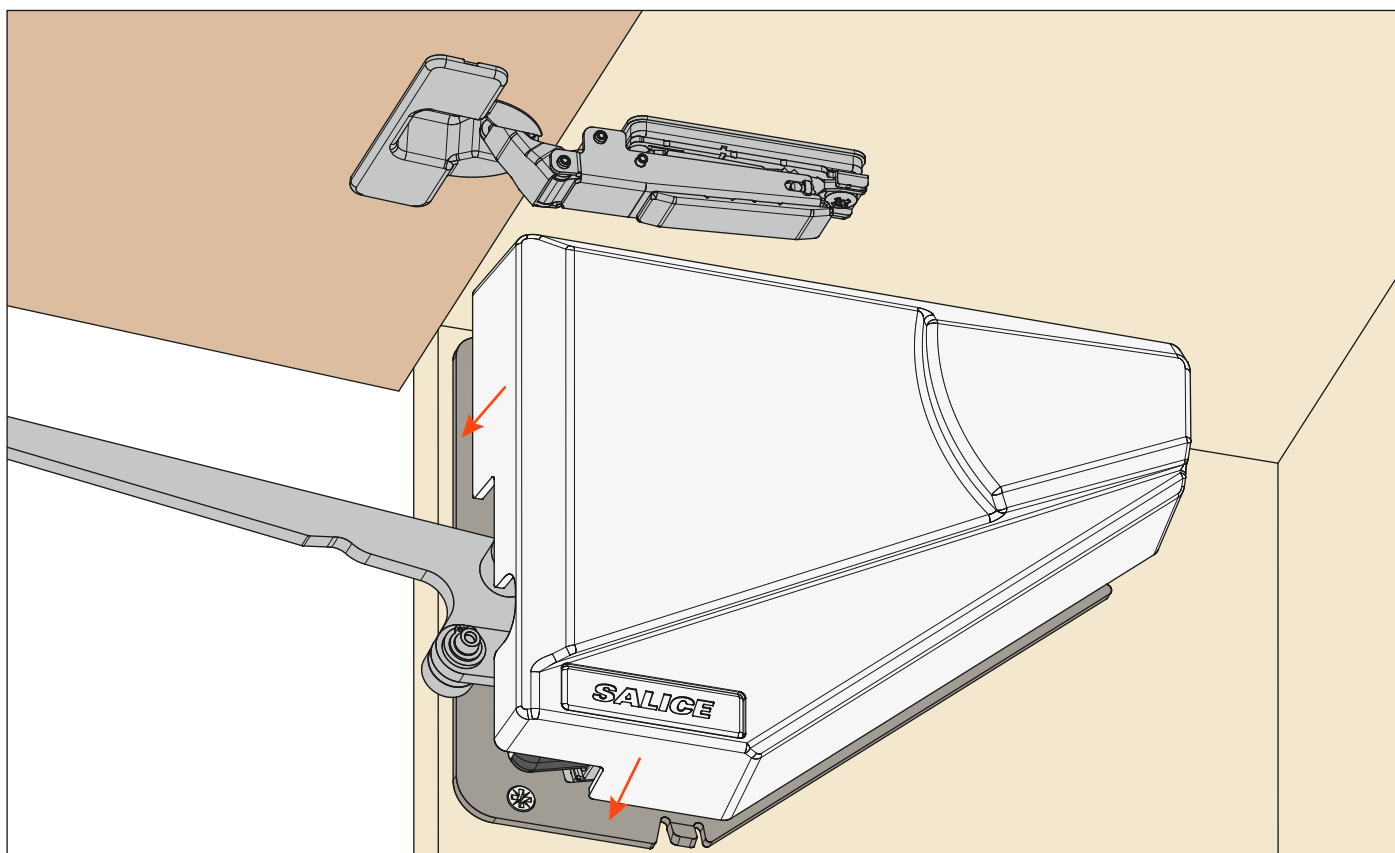


Adjustment of the opening angle of the door, by cam, from 80° to 92°.

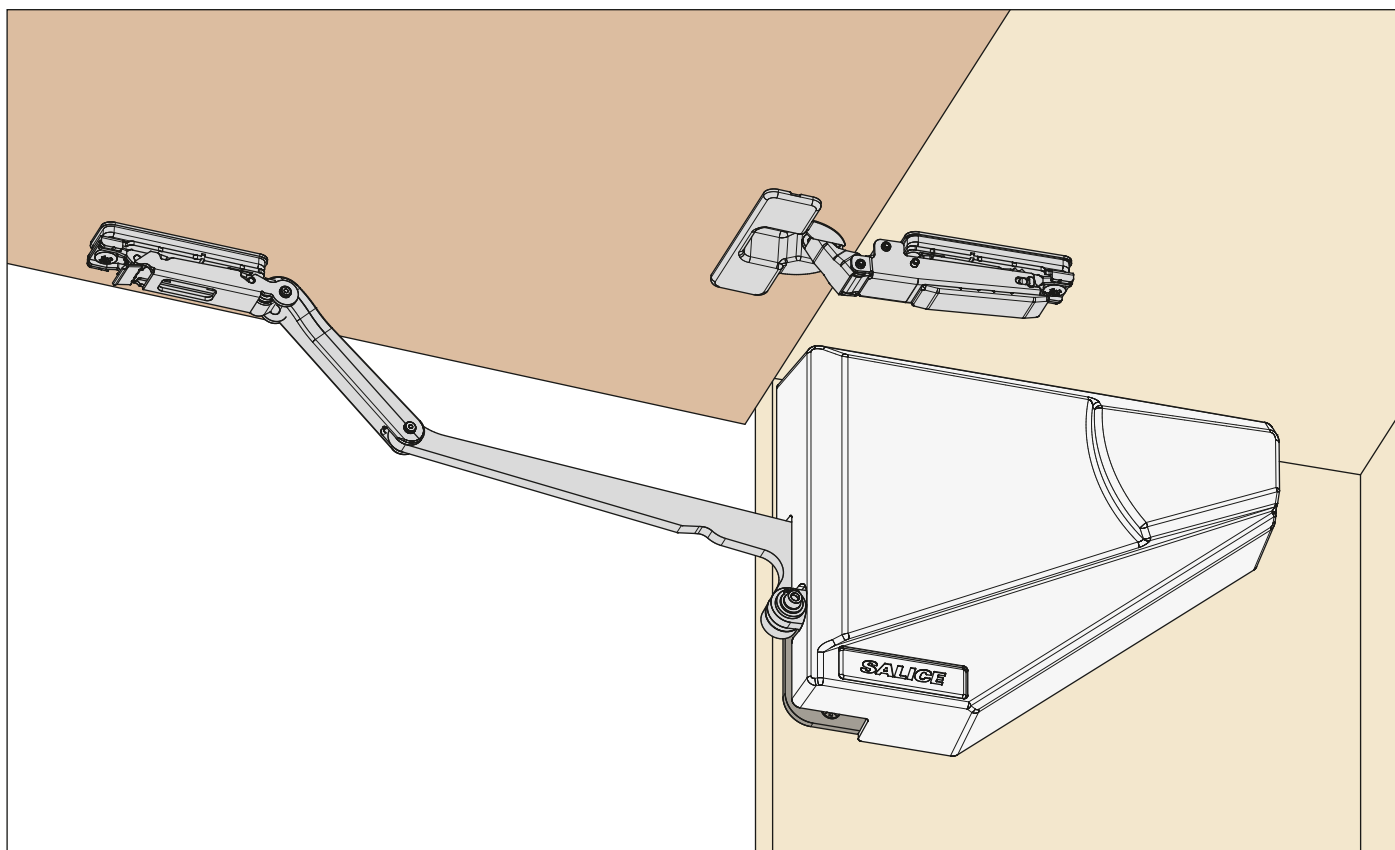




Installing the cover.



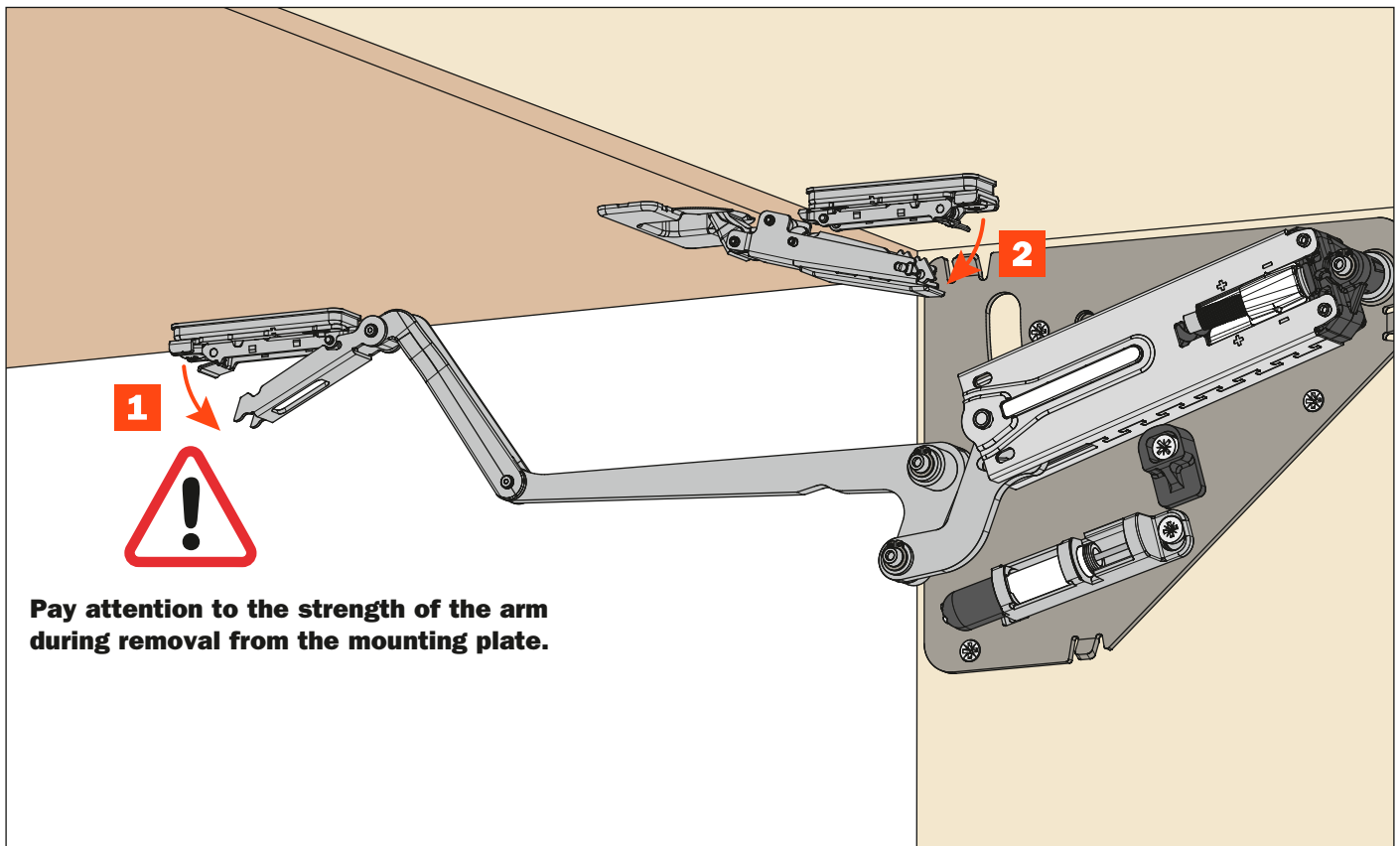
View of the mounted system.



EvoLift - Flap door opening system

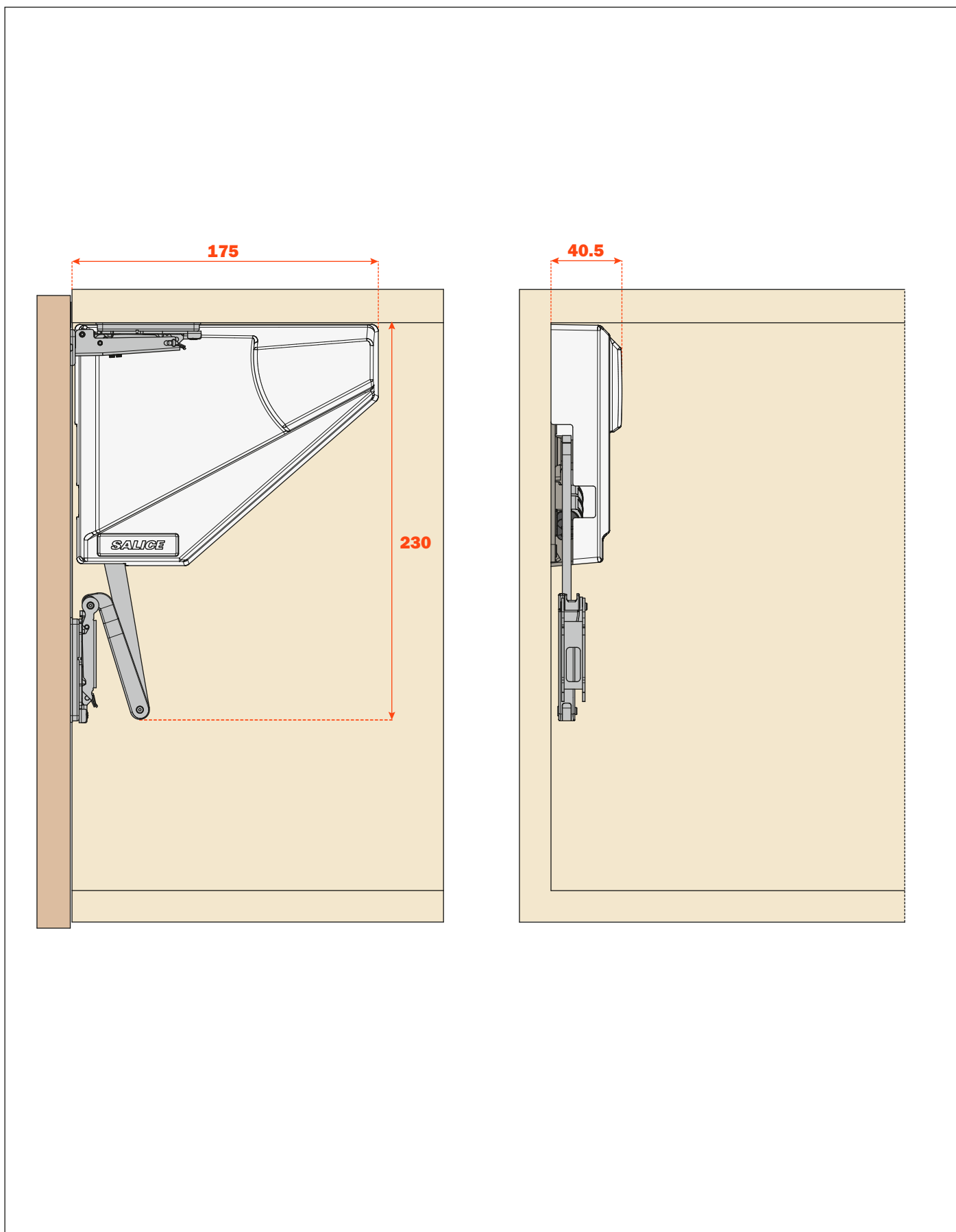
Part number composition and packaging

Removal of the door.













Dimensions of the system.





DOOR-SET Packaging	
	
	
SOFT CLOSE	COVER
FRMFXXX_SN9	SR_M78A_SNXXF
<p>System strength: D = weak F = strong</p>	<p>Cabinet side: D = right S = left</p>
CARTON	CARTON
1 System 1 Mounting plate BAPGM39/16 Attachment instructions and template for cabinet side drilling Attaching screws included	1 Cover 1 Cover cap
PALLET	PALLET
192 pcs.	192 pcs.

Components to be ordered separately			
			
Hinge for wood doors or for alu-framed doors 45 mm	Hinge for alu-framed doors min. 17 mm max. 24 mm	Mounting plate for hinges	Mounting plate adapter for alu-framed doors min. 17 mm max. 24 mm
C2P6A99 screw	C2Z6A99	BAPGM39/16	DLZXBH9
C2R6A99 dowel			Screws to attach the mounting plate to the support included
Packaging Boxes with 300 pcs.	Packaging Boxes with 150 pcs.	Packaging Boxes with 300 pcs.	Packaging Boxes with 150 pcs.

EvoLift - Flap door opening system with Push opening



DOOR-SET Packaging	
PUSH OPENING	COVER
FRMFXXPDSN9_	SR_M78A_SNXXF
System strength: D = weak	Cabinet side: D = right S = left
Cabinet side: D = right S = left	Colour: Q = white L = titanium
CARTON	CARTON
1 System 1 Mounting plate BAPGM39/16 Attachment instructions and template for cabinet side drilling Attaching screws included	1 Cover 1 Cover cap
PALLET	PALLET
192 pcs.	192 pcs.

Components to be ordered separately				
Hinge for wood doors or for alu-framed doors 45 mm	Hinge for alu-framed doors min. 17 mm max. 24 mm	Mounting plate for hinges	Mounting plate adapter for alu-framed doors min. 17 mm max. 24 mm	Push
C2PPA99 screw	C2ZPA99	BAPGM39/16	DLZXBH9	To choose the Push and the retaining catch see page 20
C2RPA99 dowel			Screws to attach the mounting plate to the sup- port included	
Packaging Boxes with 300 pcs.	Packaging Boxes with 150 pcs.	Packaging Boxes with 300 pcs.	Packaging Boxes with 150 pcs.	

Magnetic Push



EvoLift - Opening systems - Flap door

Magnetic Push - Recessed magnetic release device and retaining catches

DPMSNB - beige



Magnetic catch
 ø 10 mm, 40 mm length.

DPMSNG - grey



Packaging
 Boxes 250 pcs.
 Cartons 1.500 pcs.

DPASNB - beige



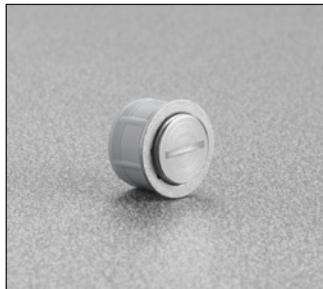
Optional supplementary magnetic catch to increase the holding strength. It must always be used together with the DPM.
 The suggested position of the DPM is the point of pressure on the door. The DPA can be positioned at any point along the opening edge of the door.
 ø 10 mm, 40 mm length.

DPASNG - grey



Packaging
 Boxes 250 pcs.
 Cartons 1.500 pcs.

DP39XXG



Adjustable magnetic retaining catch.
 ø16.6 mm

Packaging
 Boxes 250 pcs.

DP28SN9



Pin-attach striker for magnetic catches.
 ø 11.5 mm.

Packaging
 Boxes 250 pcs.

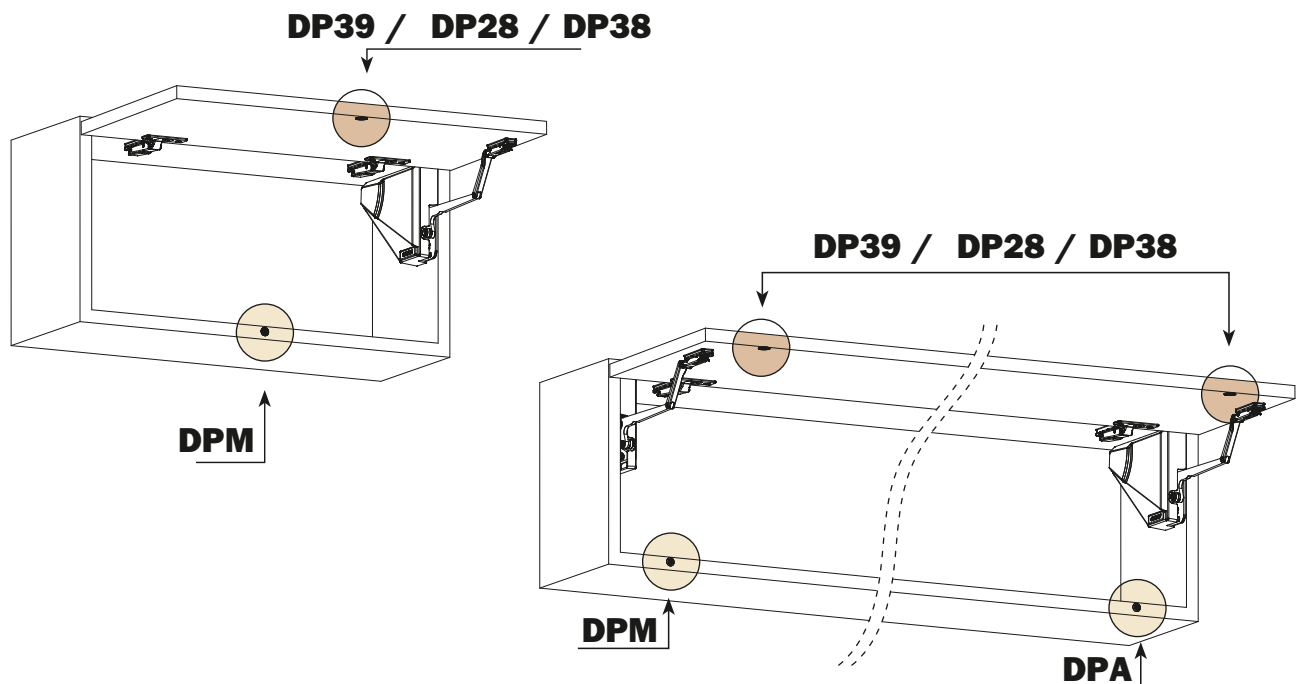
DP38XX91



Self-adhesive striker for magnetic catches.
 20x14 mm.

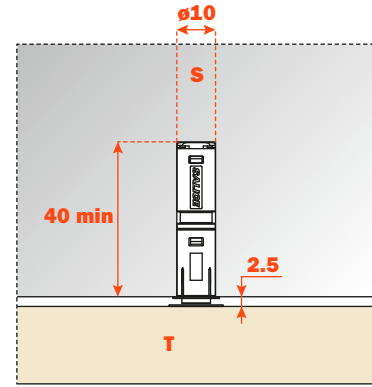
Packaging
 Boxes 250 pcs.

The Push self-opening system is recommended for doors up to a max. 400 mm in height.



Application of the standard magnetic catch.

Drill a hole \varnothing 10 mm and min. 40 mm depth in the top, the side or the base panel of the cabinet.
Insert the release device into the hole.

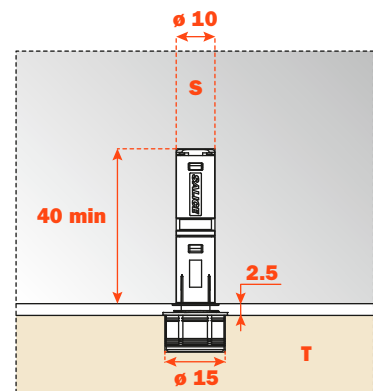


Inserted adjustable magnetic catch.

The retaining catch DP39 is itself magnetic and together with the magnetism of the release device DPM considerably increase (30%) the holding strength of the door against the cabinet side, thus avoiding accidental openings.

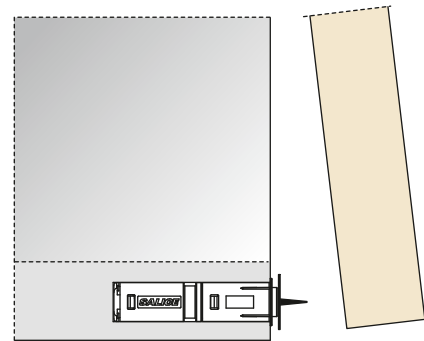
For the installation it is necessary to drill a hole \varnothing 15 mm and 11 mm depth in the door.

Depth adjustment from -0.5 mm to +2.5 mm.



Pin-attach striker.

Apply the retaining catch to the magnetic release device.
Close the door.
The point of the retaining catch will show where to insert it.
Reopen the door and drive in the pin to attach in position.



Self-adhesive striker.

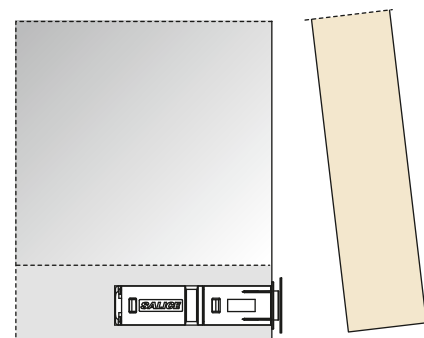
Apply the retaining catch to the magnetic release device. Remove the protective strip from the adhesive. Close the door. In this way the retaining catch is positioned on the door. Reopen the door and apply a firm pressure to the retaining catch to ensure a correct installation.

ATTENTION:

For a correct application and to ensure optimal endurance, we suggest these guidelines are followed:

- 1** - clean and degrease the door surface where the retaining catch is to be installed;
- 2** - remove the protective strip from the adhesive;
- 3** - place the retaining catch in position, in a place that is at room temperature $\geq 10^\circ$ and apply a firm pressure for 10-15 seconds.

After few seconds from the installation the retaining catch is suitable for the use.
After 24h the max. hold is attained.

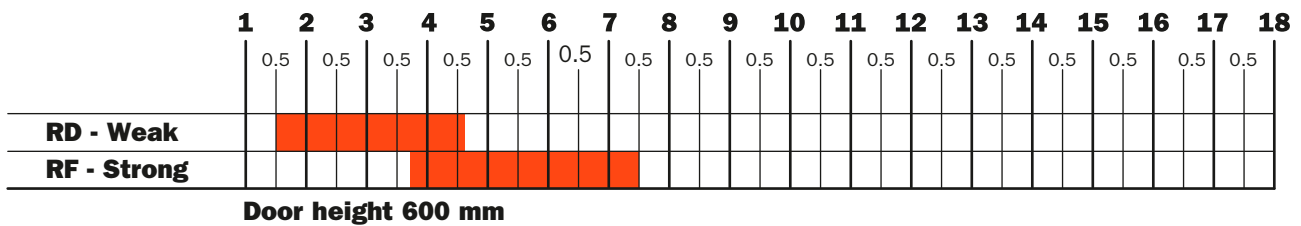
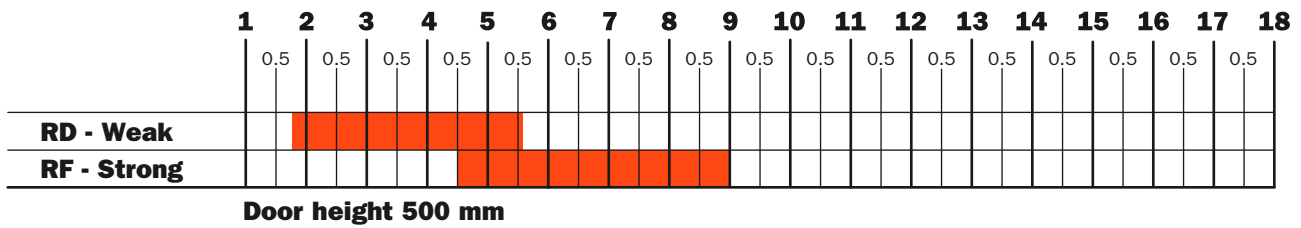
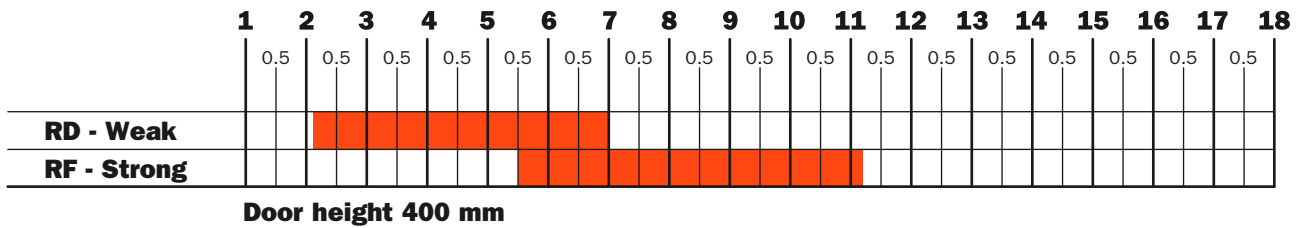
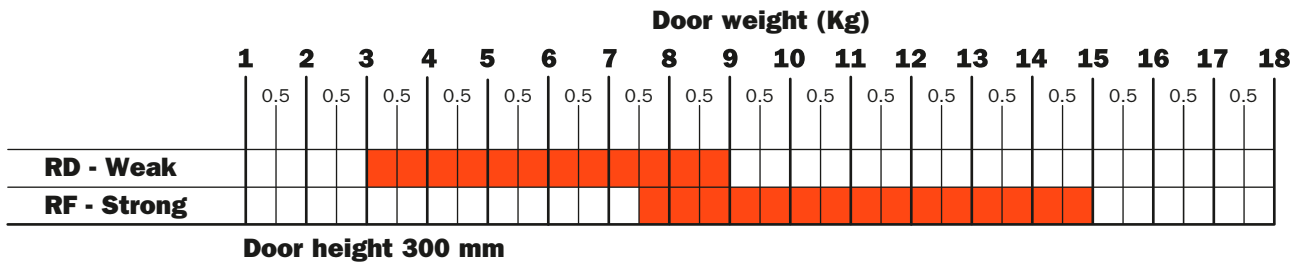
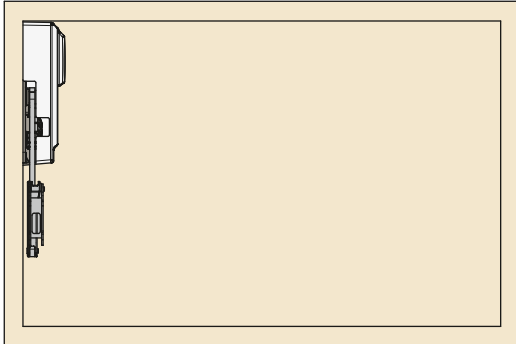


EvoLift - Flap door opening system

Charts to select the strength of the system

Charts to select the exact system suitable for the dimensions and weight of the door.
It is suggested that some attachment trials are made.
Our technical Assistance Service is at your disposal for any additional information.

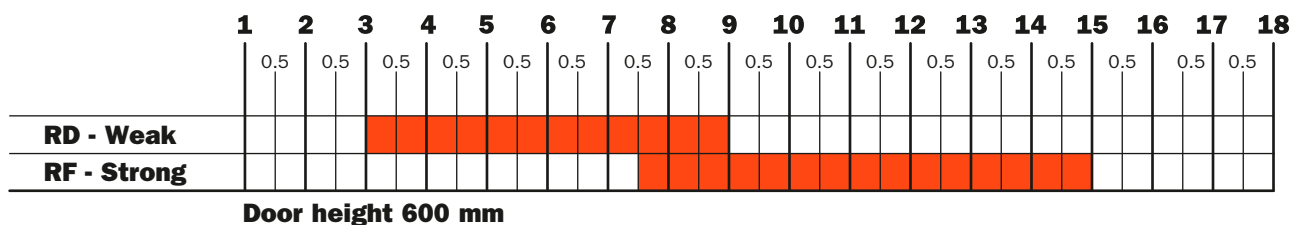
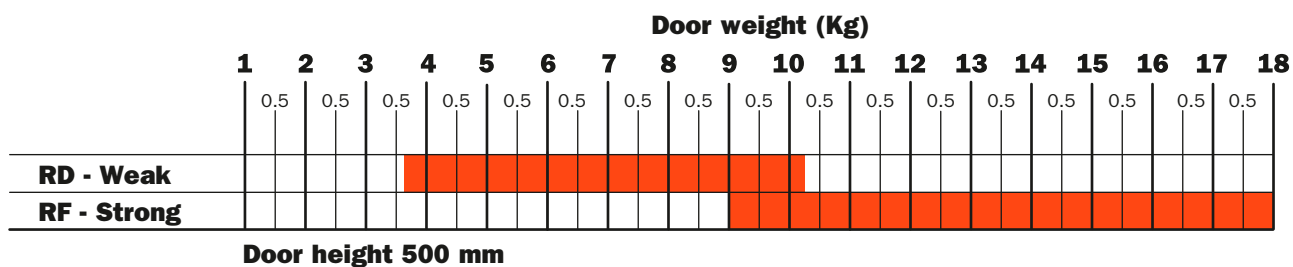
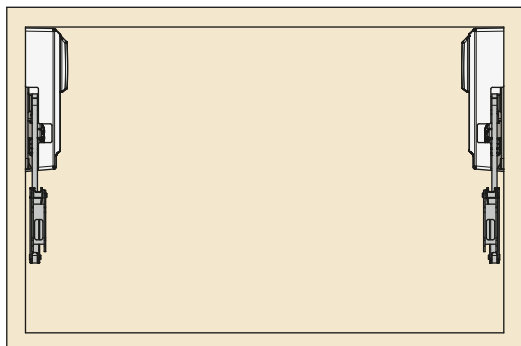
Single system





Charts to select the exact system suitable for the dimensions and weight of the door.
It is suggested that some attachment trials are made.
Our technical Assistance Service is at your disposal for any additional information.

Double system



Proudly Supplied By



1-855-650-3265 | www.rugbyabp.com