



Vetro
SALICE

Vetro

Vetro, a family of hinges, mounting plates and accessories that covers all hinge applications in cabinets with glass or mirrored doors and sides.



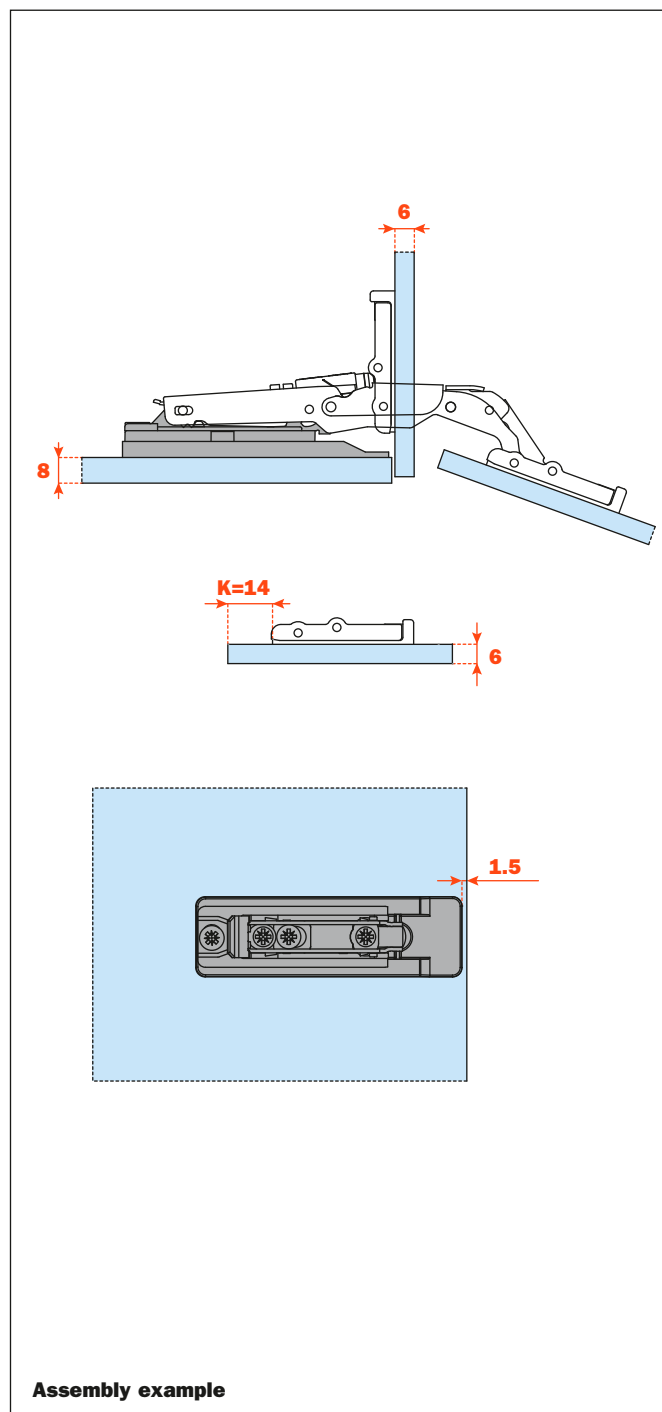
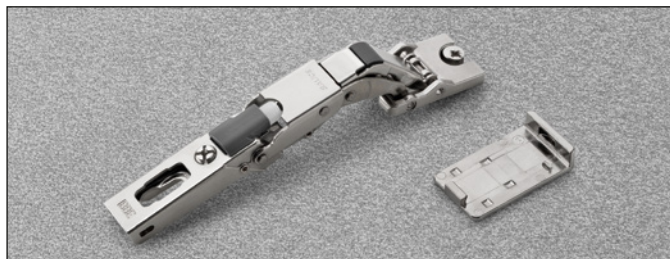


Application with Universal hinges (CBG) for glass doors: glass door and side.

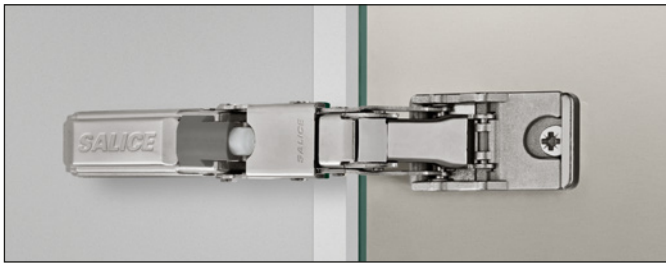
Mounting plate BAGHR59/31 to be attached to glass or mirror. No drilling of the glass is required.

Hinge:
 "K" from 0 to 22 mm.
 110° opening.

- Available version:**
- with integrated soft-close
 - sprung hinge
 - with Push opening
 - unsprung hinge



Assembly example



Application with Universal hinges (CBG) for glass doors: glass door and wooden side.

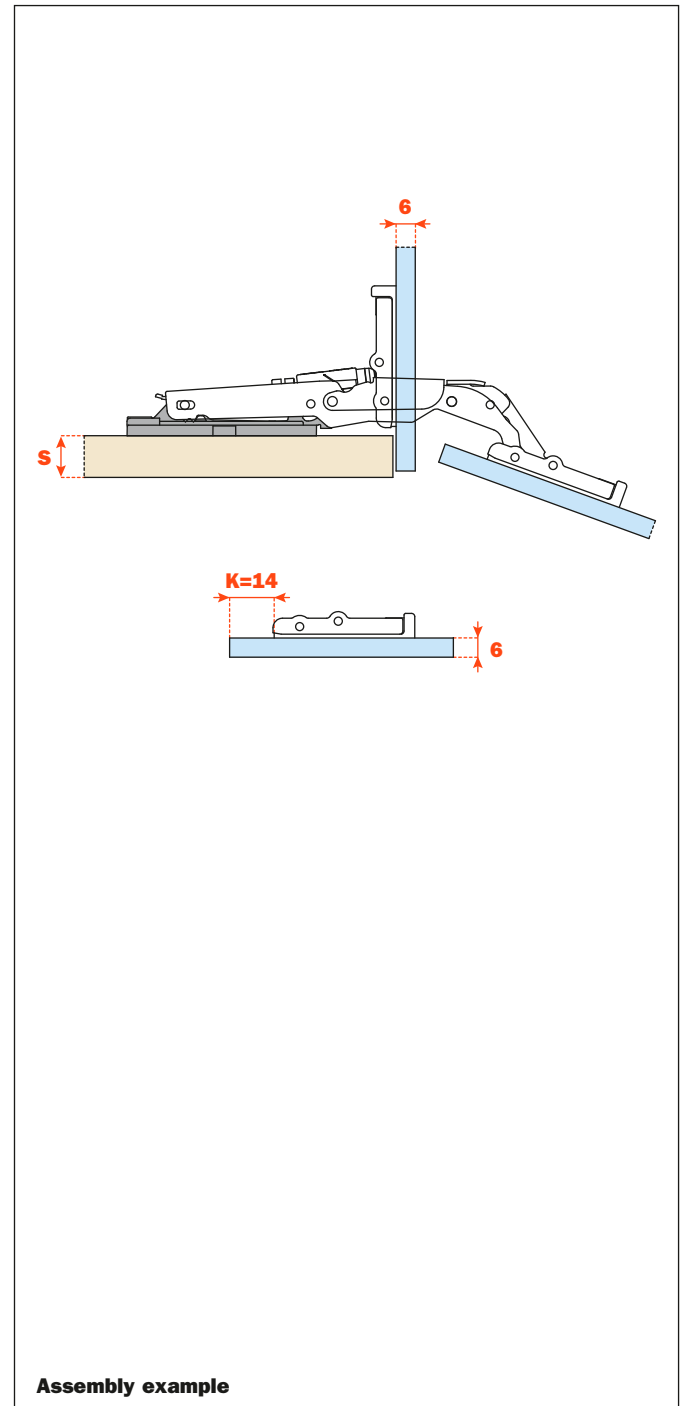
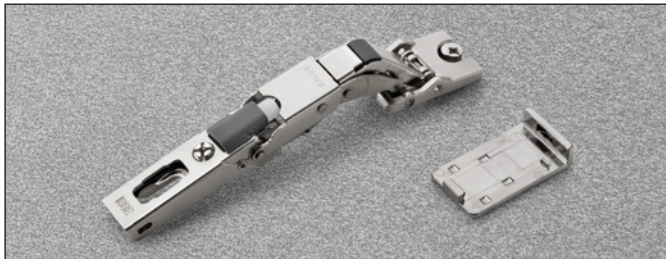
Domi mounting plates to be screw-fixed to the cabinet side.

Hinge:

"K" from 0 to 22 mm.
110° opening .

Available version:

- with integrated soft-close
- sprung hinge
- with Push opening
- unsprung hinge





Application with Series 200 hinges for glass doors: glass door and side.

Mounting plate BAGHR59/32 to be attached to glass or mirror. No drilling of the glass is required.

Hinge:

Hole diameter 26 mm.

94° opening.

For use with glass from 4 mm to 6 mm thickness.

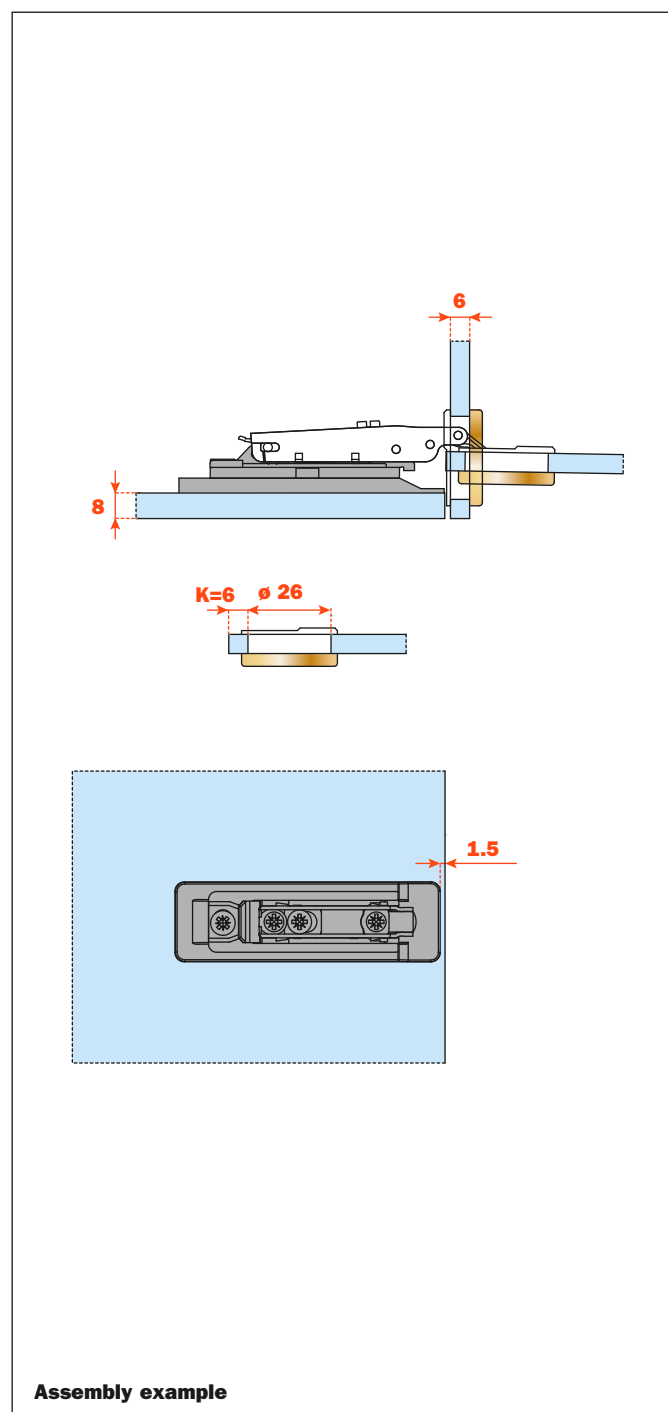
Possible drilling distance on the door "K" from 5.5 to 6.5 mm.

Sprung hinge.



Covers are available in the following colours:

- Black
- Lacquered black
- White
- Bright gold effect
- Gold effect
- Bright chrome
- Silver effect



Assembly example



**Application with Series 200 hinges for glass doors:
glass door and wooden side.**

Domi mounting plates to be screw-fixed to the cabinet side.

Hinge:

Hole diameter 26 mm.

94° opening.

For use with glass from 4 mm to 6 mm thickness.

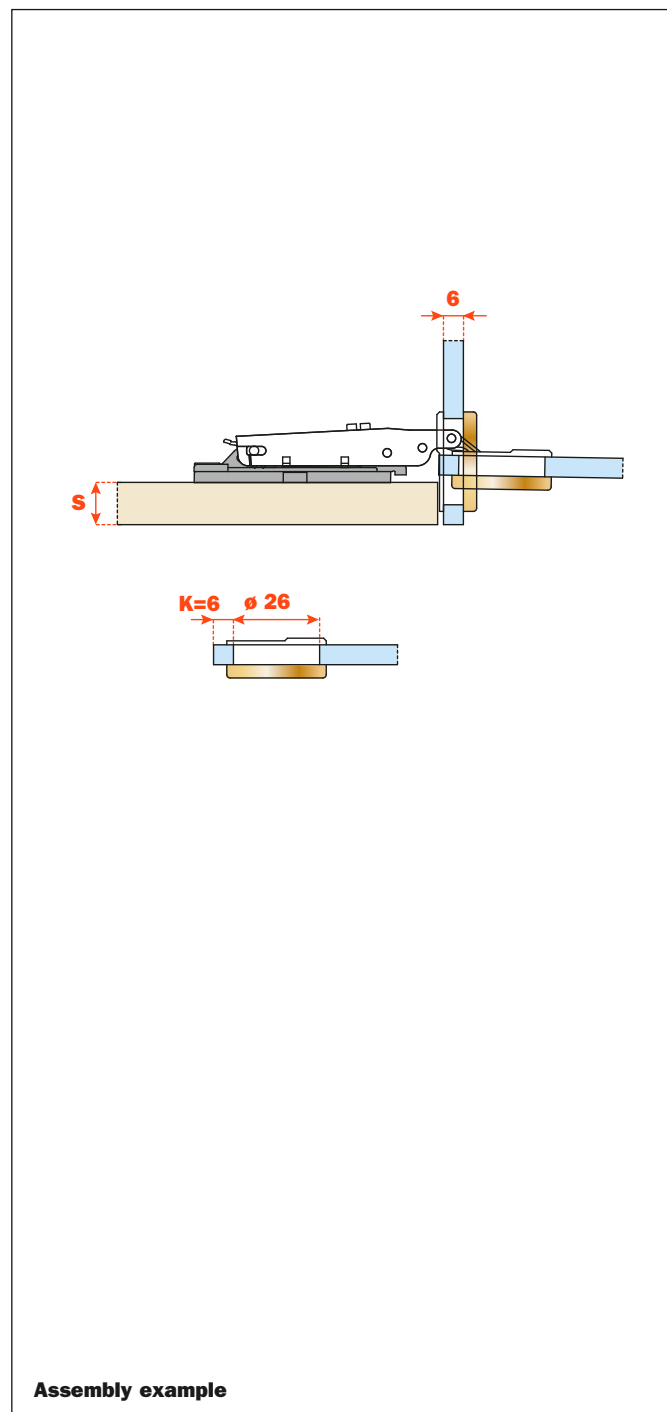
Possible drilling distance on the door "K" from 5.5 to 6.5 mm.

Sprung hinge.



Covers are available in the following colours:

- Black
- Lacquered black
- White
- Bright gold effect
- Gold effect
- Bright chrome
- Silver effect



Assembly example

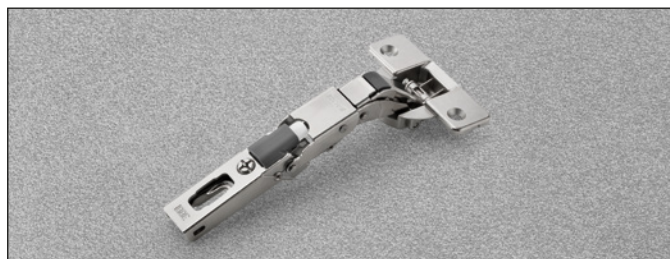


Application with Universal hinges (CBA) for wooden doors: wooden door and glass side.

Mounting plate BAGHR59/31 to be attached to glass or mirror. No drilling of the glass is required.

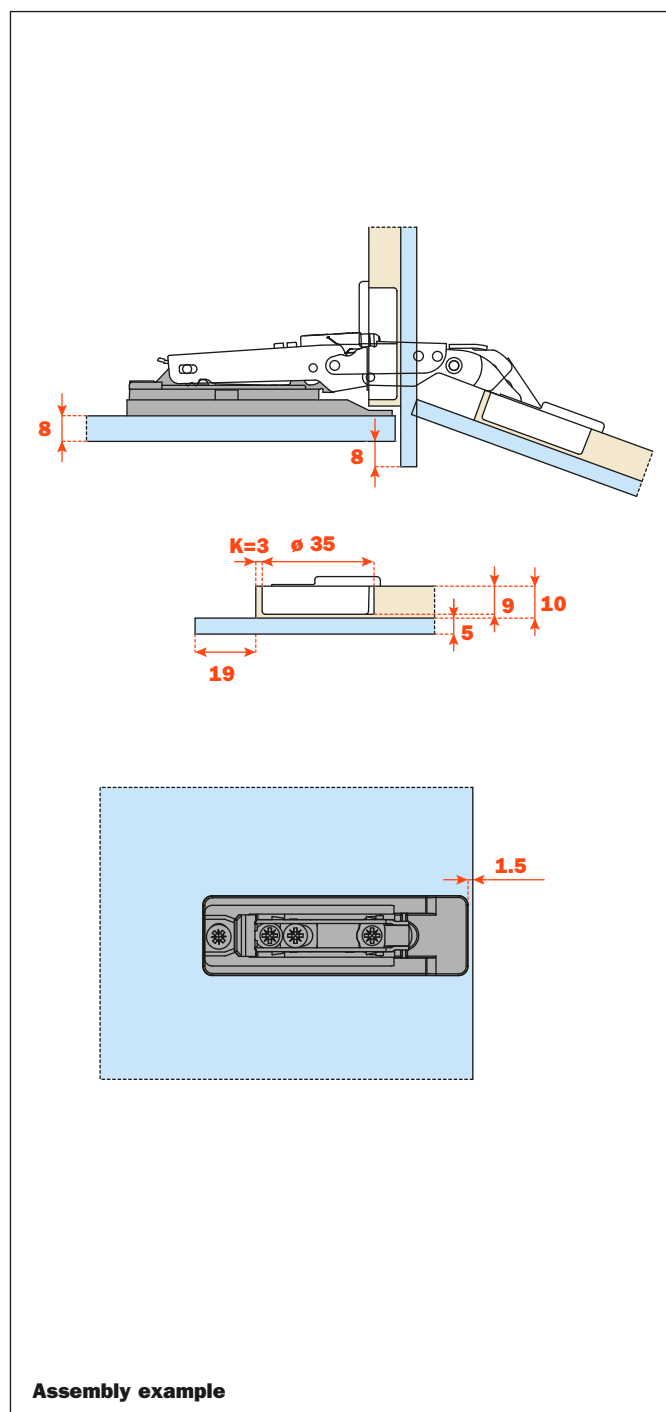
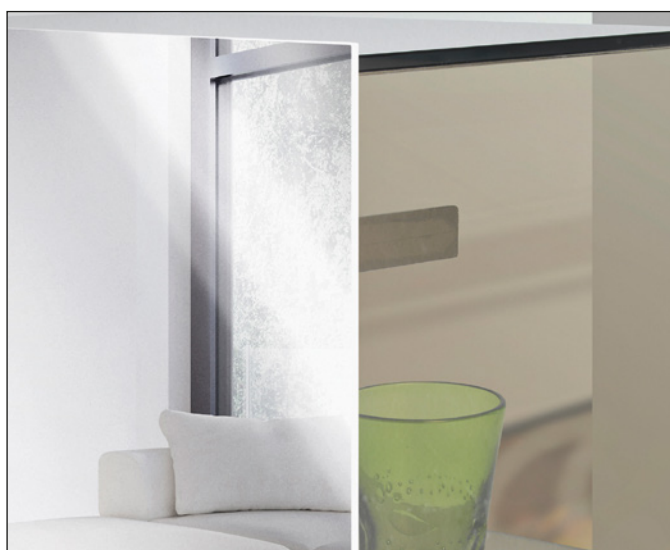
Hinge:

9 mm deep metal cup.
110° opening.
Possible drilling distance on the door "K" from 3 to 18 mm.



Available version:

- with integrated soft-close
- sprung hinge
- with Push opening
- unsprung hinge



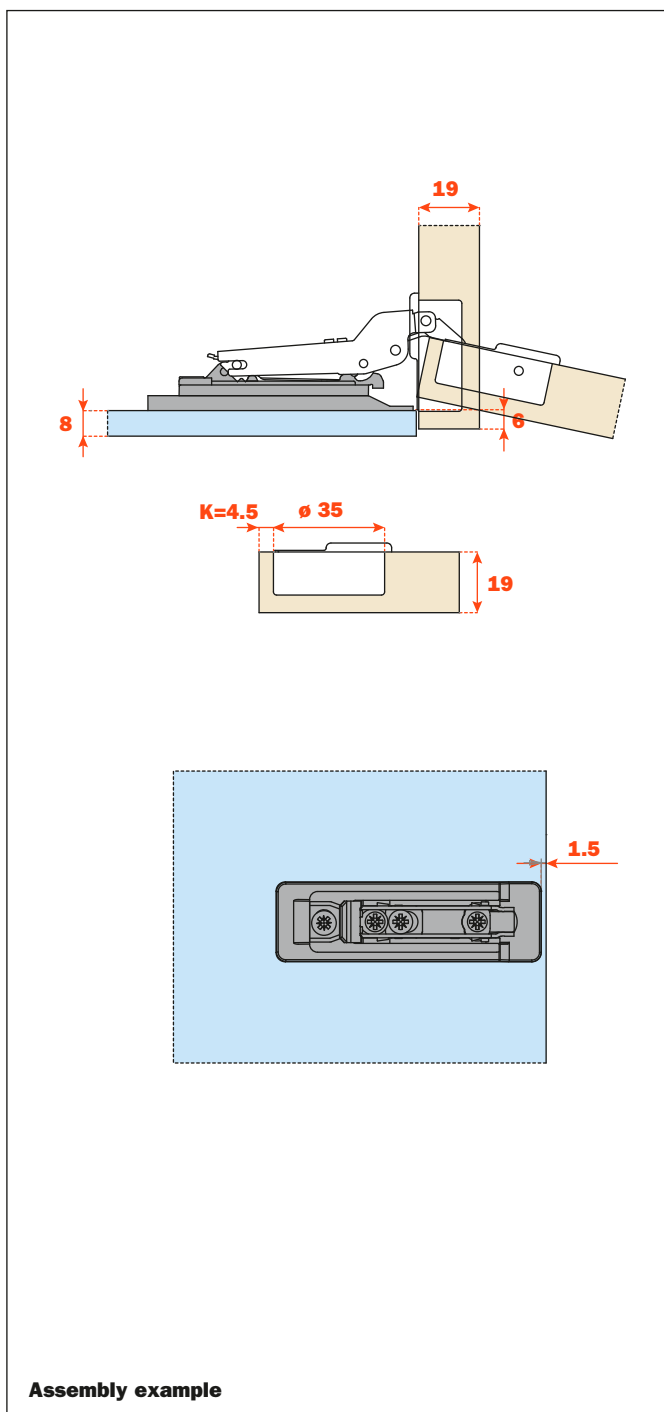


**Application with hinges for wooden doors:
wooden door and glass side.**

**Mounting plate BAGHR59/31 to be attached to glass or mirror.
No drilling of the glass is required.**

Hinge for wooden doors.

This application can be solved with all Series 100, 200, F, 400 and Silentia+ hinges.



Assembly example

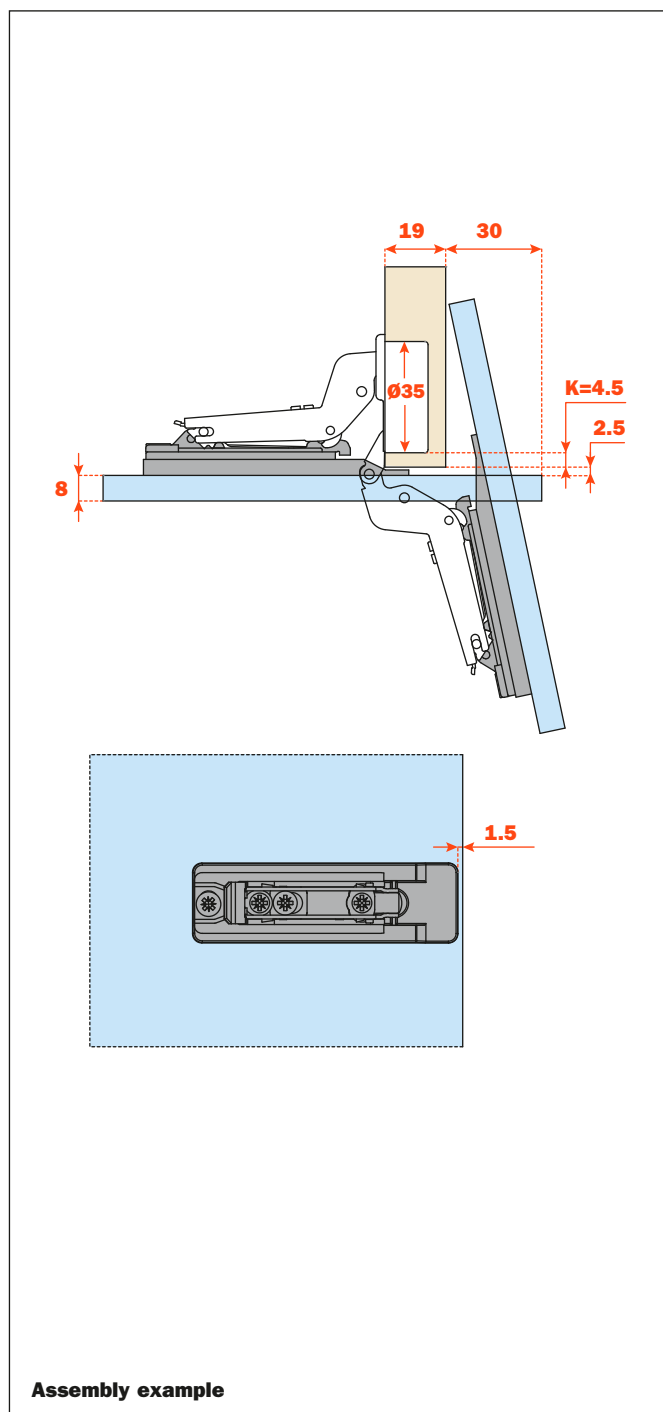


Application with hinges for wooden doors: glass door and wooden side.

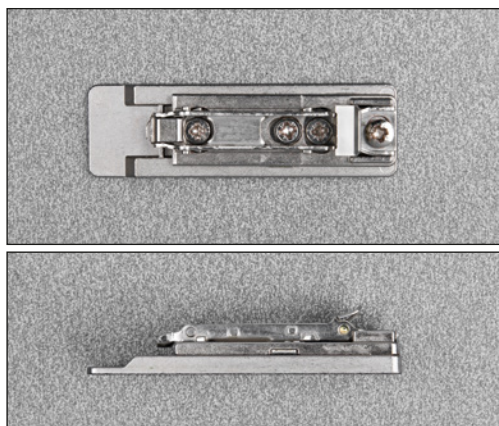
Mounting plate BAGHR59/31 to be attached to glass or mirror. No drilling of the glass is required.

Hinge for wooden doors.

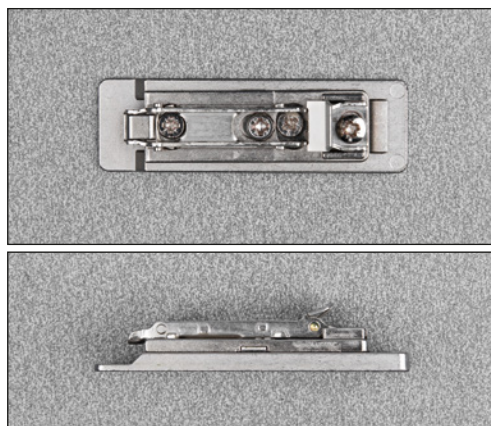
This application can be solved with all Series 100, 200, F, 400 and Silentia+ hinges.



BAGHR59/31



BAGHR59/32



Disclaimer

Salice mounting plates BAGHR59 and Series B (CBG) hinges have been developed for use on glass doors and mirrors.

Salice will accept no responsibility for any problems associated with the type of adhesive or method of application when used in conjunction with Series B hinges, nor for any consequences of the incorrect mounting of the door.

It is recommended that the selected adhesive is subjected to prior testing.

The adhesive may be considered appropriate if the plate, when fixed to the glass, can sustain a minimum torsion load of 160 Nm.

Screw cover caps.

S2BX83H9



Symmetrical steel screw cover cap, it can be personalised on request.

S2MX83H9



Symmetrical steel screw cover cap with embossed logo.

Flange cover cap.

SBXX85X_



Plastic flange cover cap for Series B hinges.

Available colours:

SBXX85X9 = Nichel-plated

SBXX85X6 = Titanium

Hollow cover for Smove.

SBAX78A6SN



Proudly Supplied By



1-855-650-3265 | www.rugbyabp.com