



**Silentia+**  
**SALICE**

USA CDN





## **Silentia+ 100 Series**

For small or light doors, 105° opening

page 9



## **Silentia+ 200 Series**

Series for thick doors or 0 protrusion, 94° and 155° opening

page 17



## **Silentia+ 700 Series**

110° opening

page 27



## **Accessories**

page 37





## The state of the soft-close art.

Silentia+ allows a perfect and constant closing of the door in any temperature, use and application.

The innovative soft-close technology guarantees excellent performances to the complete range of hinges. Silentia+ includes numerous technological elements in the required spaces and maintains the aesthetics of the hinges of the first generation.



## Silentia+ Features and Benefits

- **Integrated soft close by means of twin fluid dampers**
- **Adjustment switch to set a comfortable soft close action**
- **Impervious to temperature extremes**
- **Very smooth opening with minimal resistance**
- **Patented compensating parallel side adjustment**
- **Available in the 700 Series, 100 Series and 200 Series**
- **Available in all Salice fixing types (Screw, Dowel, Rapido, Logica)**
- **Available in Nickel or Titanium finish**
- **Exceeds ANSI/BHMA standards A156.9-2015**
- **Limited Lifetime Warranty**

## Second generation

Integrated soft-close technology with two fluid dampers.

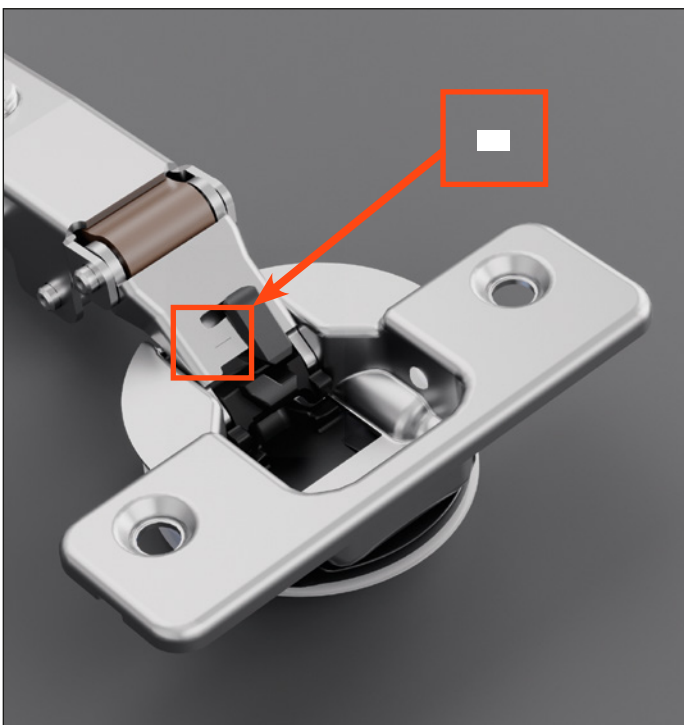
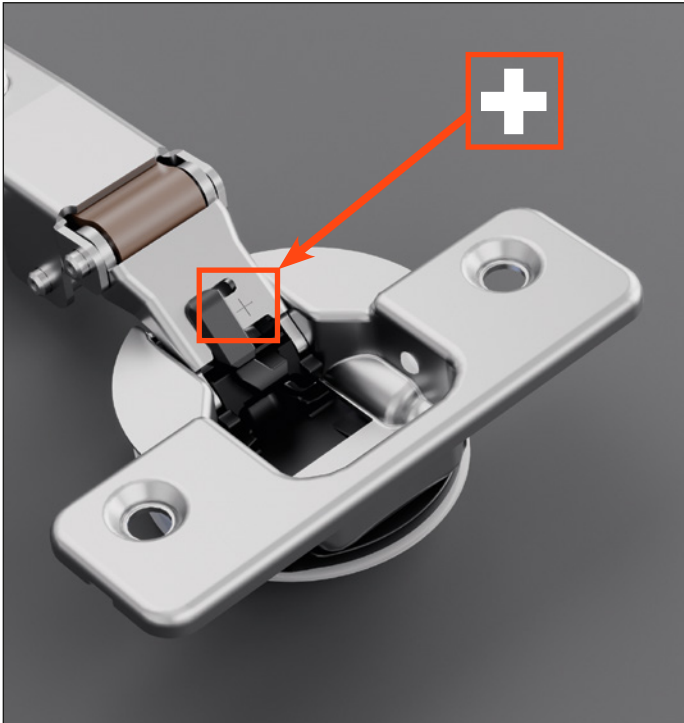
The two integrated dampers guarantee an exceptional consistency of the decelerating strength providing a perfect closing to any kind of door, size and application.



## Always-optimal soft-close action

Silentia+ is also equipped with the innovative switch to adjust the soft close action. The activation of this switch allows, even with special door sizes, to obtain the ideal decelerating speed.

With the adjustment switch set showing the +, the soft close engages at 30° and with the - adjustment switch set showing the - soft close engages at 10°.







**Silentia+** • **100 Series for small  
or light doors**



**Integrated soft close by means of twin fluid dampers**

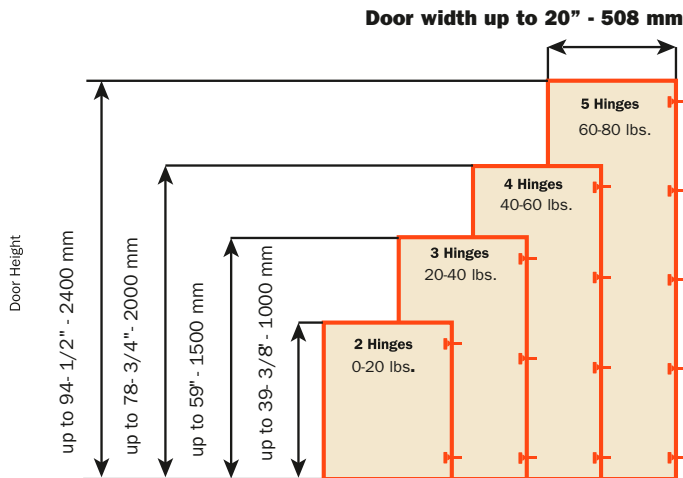
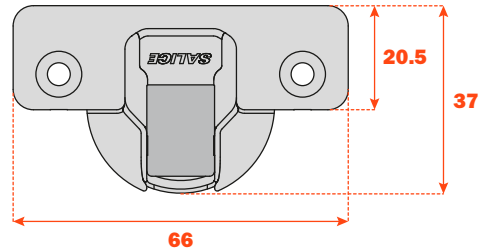
- Adjustment switch to set a comfortable soft close action
- Impervious to temperature extremes
- Very smooth opening with minimal resistance
- Patented compensating parallel side adjustment
- Available in all Salice fixing types (Screw, Dowel, Rapido, Logica)
- Available in Nickel or Titanium finish
- Exceeds ANSI/BHMA standards A156.9-2010

Constant “L” value of 1.5 mm (it does not change during side adjustment).

The number of hinges required depends on the size, weight and material of the door.

**The distance between the top and bottom must be greater than the width of the door.**

Additional hinges should be added if doors are near the border of the line of size or weight chart. Use the diagram below to determine the number of hinges.



**Adjustments**

Parallel side adjustment from -1.5 mm to +4.5 mm.

Height adjustment ±2 mm

Depth adjustment with Domi snap-on mounting plates from -0.5 mm to +2.8 mm.

Depth adjustment with 200 Series mounting plates +2.8 mm.  
Anti-sliding safety stop.

**Mounting plates**

Snap-on assembly on Domi mounting plates.

Symmetrical and asymmetrical bright nickel plated steel or die-cast Series 200 mounting plates.

Positioning with pre-determined stop on traditional 200 Series mounting plates.

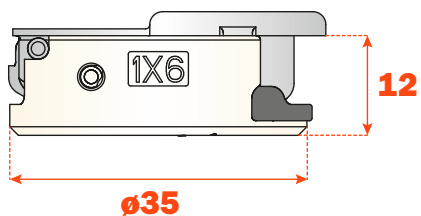
**Note: Use No. 2 Pozi drive screwdrivers for all adjustments.**

## Drilling and attachment

		<p>45  <math>\varnothing 35</math>          9.5  <b>105°</b>          K</p>
Wood screw		<b>P</b>
		<p>45  <math>\varnothing 35</math>          9.5  <b>105°</b>          K  <math>\varnothing 8</math></p>
Dowel		<b>R</b>
Rapido		<b>7</b>
Logica		<b>J</b>

**Use this table to identify the available attachment options to the door.  
 Fill the third position of the hinge code number with the letter or the number  
 corresponding to your choice. I.e.: C1\_6AE9.**

↑  
**Fill this position with the chosen letter or number.**



**105° opening  
 and complementary hinges**



### Technical information

Hinges with adjustable integrated soft-close mechanism operated by twin fluid dampers housed in the hinge cup. The decelerating effect is adjusted by using a simple switch. Minimum 15 mm / maximum 20 mm door thickness.

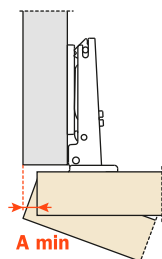
Hinges for small/light door material or heavy front profiles 12 mm deep cup.

105° opening.

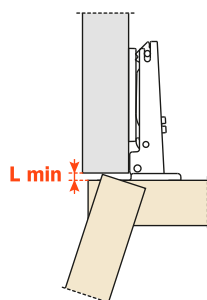
Possible drilling distance on the door (K): from 3 to 6 mm.

Compatible with all traditional 200 Series mounting plates and with all Domi snap-on mounting plates.

### Space needed to open the door



T=	15	16	17	18	19	20
K=3	<b>A=</b> 1.0	1.0	1.2	1.4	1.6	1.9
K=4	<b>A=</b> 0.9	1.0	1.2	1.3	1.5	1.8
K=5	<b>A=</b> 0.9	1.0	1.1	1.2	1.5	1.8
K=6	<b>A=</b> 0.9	1.0	1.1	1.2	1.4	1.7

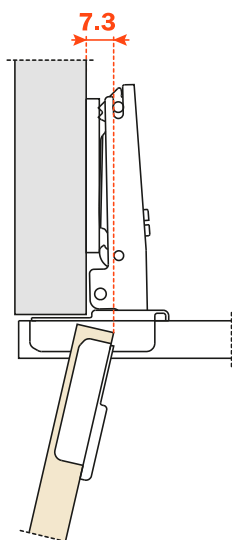


T=	15	16	17	18	19	20
K=3	<b>L=</b> 0.0	0.0	0.0	0.0	0.1	0.3
K=4	<b>L=</b> 0.4	0.6	0.7	0.9	1.1	1.2
K=5	<b>L=</b> 1.0	1.0	1.2	1.8	2.0	2.0
K=6	<b>L=</b> 1.6	1.8	2.0	2.1	2.3	2.5

The above values are calculated on doors with a 1 mm radius. They are reduced if the doors have greater radiussed edges.

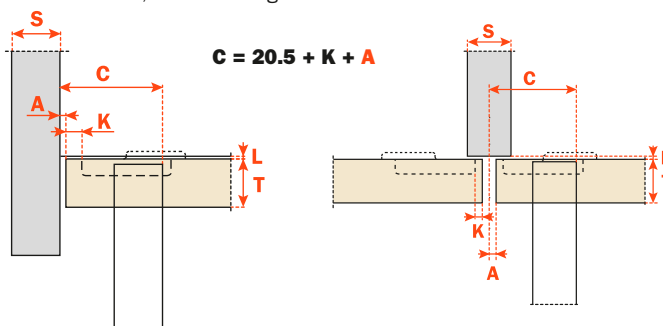
### Protrusion of the door

Protrusion of the door from the cabinet side at the max. opening. The figures are based on a straight arm hinge, H=0 mm thickness of mounting plate and K value = 3 mm.



### “C” value

With this formula you can obtain the max. thickness of the moulded door that can be opened without touching adjacent cabinet sides, doors or walls, while bearing in mind the above L · K · T values.



Abbreviations:	
<b>S</b> = Thickness of the cabinet side	<b>A</b> = Reveal
<b>D</b> = Required door overlay	<b>L</b> = Gap between the door and cabinet
<b>T</b> = Door thickness	<b>H</b> = Height of the mounting plate
<b>K</b> = Drilling distance	<b>G</b> = Hinge constant

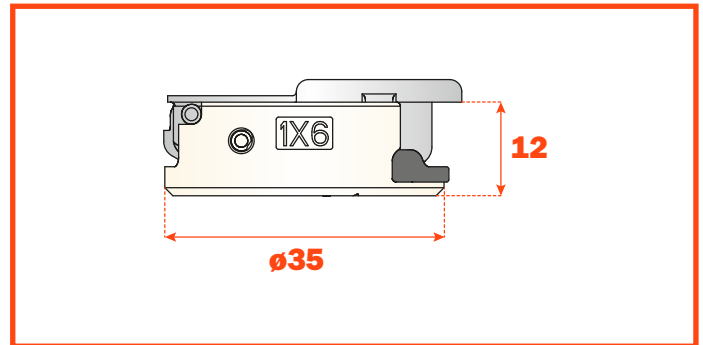
**Packing** • Boxes 300 pcs. • Pallets 7.200 pcs.

Use these formulas to determine the type of hinge arm, the drilling distance "K" and the height of the mounting plate "H" which is necessary to solve each application problem.

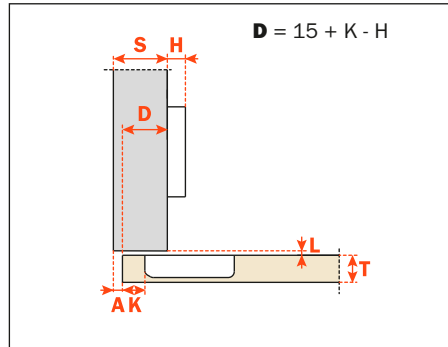
Use the tables "Drilling and attachment" at page 11 to complete the code number of the desired hinge.

To limit the opening of the hinge, see page 40, chapter "Accessories".

**\*Check with your Salice sales representative or customer service for specific Titanium availability.**

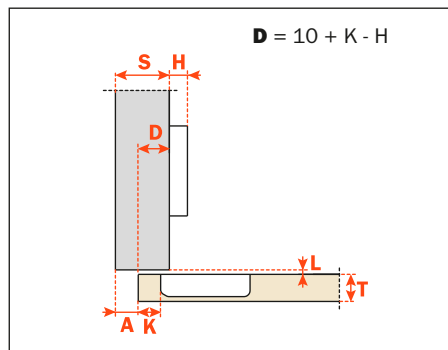


**Full overlay/ A crank - 0 mm**



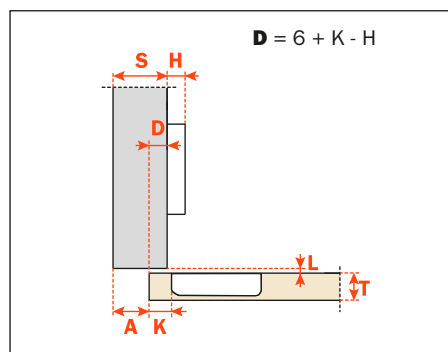
Attachment		Nickel	Titanium
	Wood screw	C1P6AE9	C1P6AE6
	Dowel	C1R6AE9	C1R6AE6
	Rapido	C176AE9	-
	Logica	C1J6AE9	-

**1/2" overlay/ D crank - 5 mm**



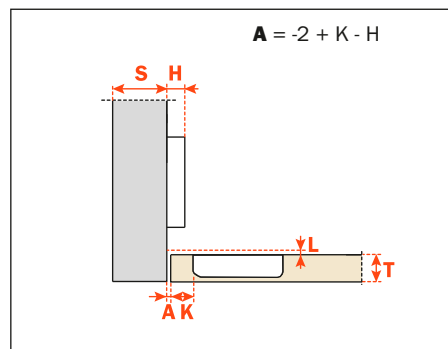
Attachment		Nickel	Titanium
	Wood screw	C1P6DE9	C1P6DE6
	Dowel	C1R6DE9	C1R6DE6
	Rapido	C176DE9	-
	Logica	C1J6DE9	-

**Half overlay/ G crank - 9 mm**



Attachment		Nickel	Titanium
	Wood screw	C1P6GE9	C1P6GE6
	Dowel	C1R6GE9	C1R6GE6
	Rapido	C176GE9	-
	Logica	C1J6GE9	-

**Inset/ P crank - 17 mm**



Attachment		Nickel	Titanium
	Wood screw	C1P6PE9	C1P6PE6
	Dowel	C1R6PE9	C1R6PE6
	Rapido	C176PE9	-
	Logica	C1J6PE9	-



### Technical Information

Hinges with adjustable integrated soft-close mechanism operated by twin fluid dampers housed in the hinge cup. The decelerating effect is adjusted by using a simple switch.

For doors with positive angled assembly.  
Hinges for small/light door material or heavy front profiles  
12 mm deep cup.

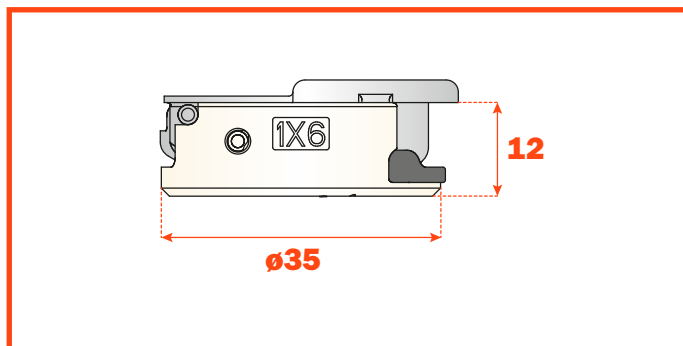
105° opening.  
Possible drilling distance on the door (K): from 3 to 6 mm.  
Compatible with all traditional 200 Series mounting plates and with all Domi snap-on mounting plates.

**Packing** • Boxes 150 pcs. • Pallets 3.600 pcs.

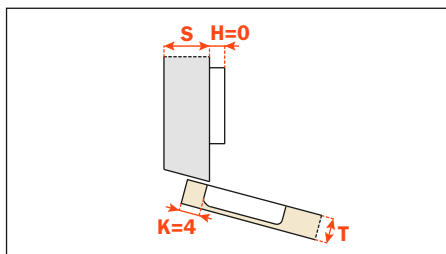
The solution of assembly problems where doors are mounted at a positive angle requires the verification of drilling distances by a practical trial. Please do not hesitate to consult our technical support department for assistance.

Use the tables “Drilling and attachment” at page 11 to complete the code number of the desired hinge.

**Note: For angled hinges, unless otherwise noted the K= 4 mm and the H= 0 mm.**

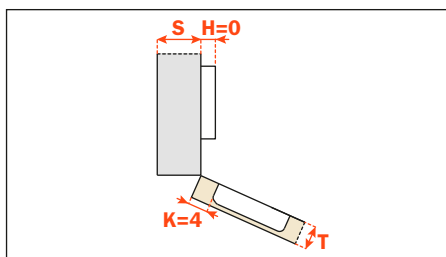


#### Arm 15°



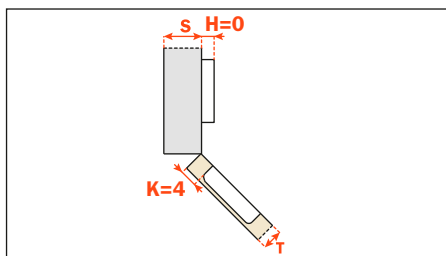
Attachment	Nickel
Dowel	C1R6ZE9

#### Arm 30°



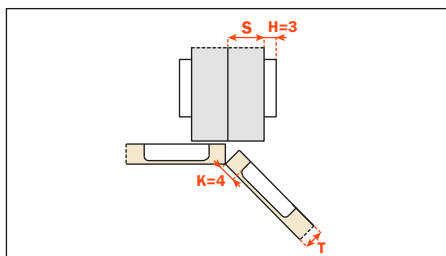
Attachment	Nickel
Dowel	C1R6EE9

#### Arm 45°

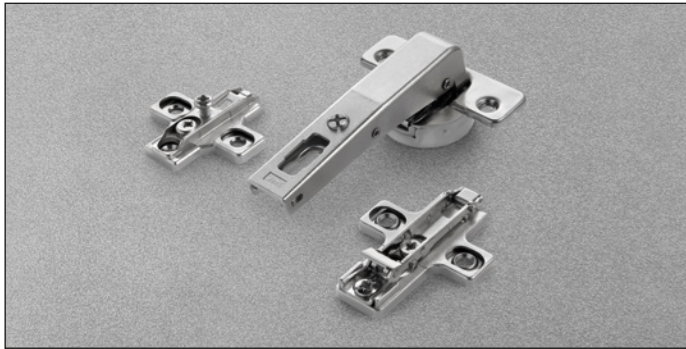


Attachment	Nickel
Wood screw	C1P6ME9
Dowel	C1R6ME9
Rapido	C176ME9

#### Arm 45°



Attachment	Nickel
Wood screw	C1P6ME9AC
Dowel	C1R6ME9AC
Rapido	C176ME9AC
Logica	C1J6ME9AC



### Technical Information

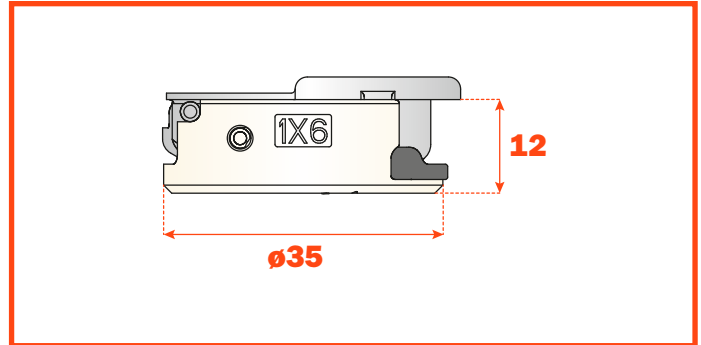
Hinges with adjustable integrated soft-close mechanism operated by twin fluid dampers housed in the hinge cup. The decelerating effect is adjusted by using a simple switch.

**Inset blind corner hinges for cabinet sides with 37 x 32 standard drilling.**  
**Hinges for small/light door material or heavy front profiles.**  
**12 mm deep cup.**

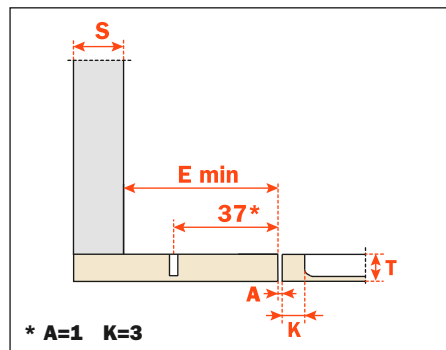
105° opening.  
 Possible drilling distance on the door (K): from 3 to 6 mm.  
 Compatible with all traditional 200 Series mounting plates and with all Domi snap-on mounting plates.

**Packing** • Boxes 150 pcs. • Pallets 3.600 pcs.

Use the tables "Drilling and attachment" at page 11 to complete the code number of the desired hinge.



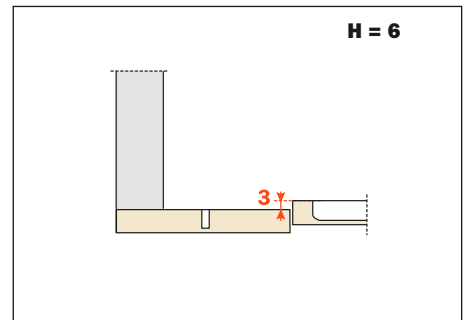
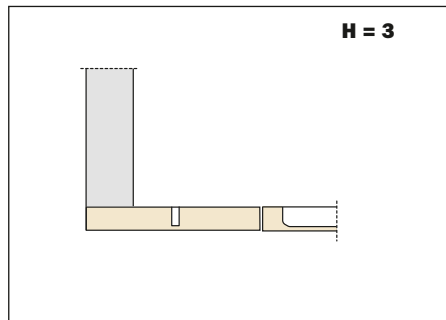
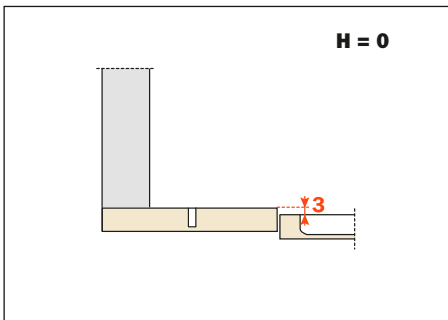
### Inset blind corner

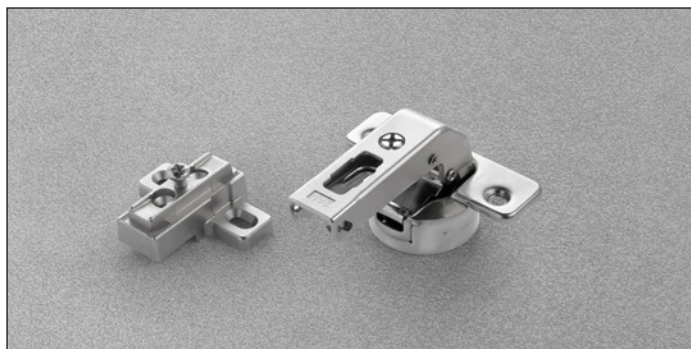


Attachment		Nickel
	Wood screw	C1P6NE9AC
	Dowel	C1R6NE9AC
	Rapido	C176NE9AC

**E min:**  
 • 61 mm for 200 Series mounting plates.  
 • 70 mm for Domi snap-on mounting plates.  
 • 74 mm for Domi snap-on mounting plates with back cam.

### Heights of mounting plates for every application.





**Technical information**

Hinges with adjustable integrated soft-close mechanism operated by twin fluid dampers housed in the hinge cup. The decelerating effect is adjusted by using a simple switch. For smaller spaces with 15 x 32 mm drilling.

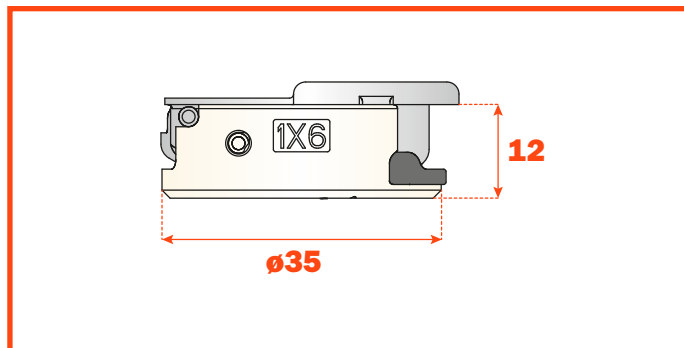
**Inset blind corner hinge short arm**  
Hinges for min. 15 mm thick doors.  
12 mm deep cup.

105° opening.  
Possible drilling distance on the door (K): from 3 to 9 mm.  
Compatible with all traditional 100 Series mounting plates, 28 x 32 mm drilling.

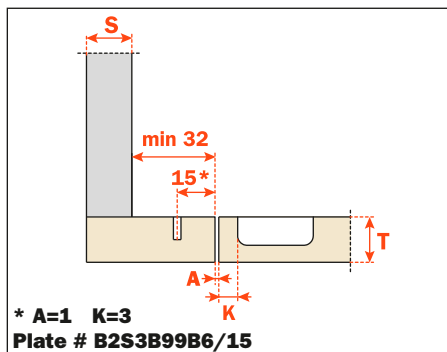
**NOT COMPATIBLE** with Domi snap-on mounting plates.

**Packing** • Boxes 150 pcs. • Pallets 3.600 pcs.

Use the tables “Drilling and attachments” at page 11 to complete the code number of the desired hinge.

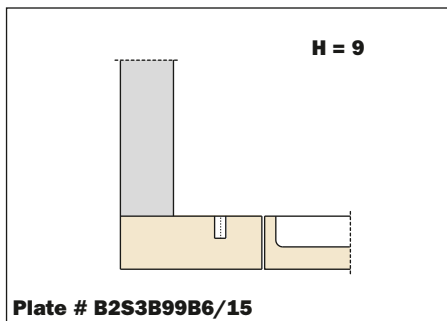
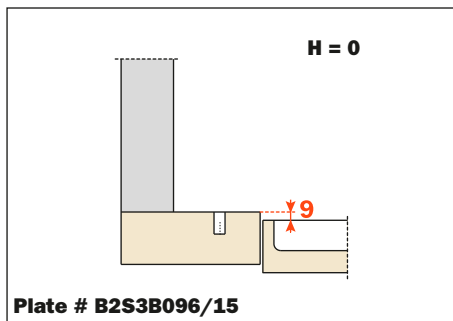


**Inset blind corner hinge**



Attachment	Nickel
Dowel	C1R6NE9

**Heights of mounting plates for every application.**





**Silentia+** • **200 Series for Thick doors or 0 Protrusion**



**Integrated soft close by means of twin fluid dampers**

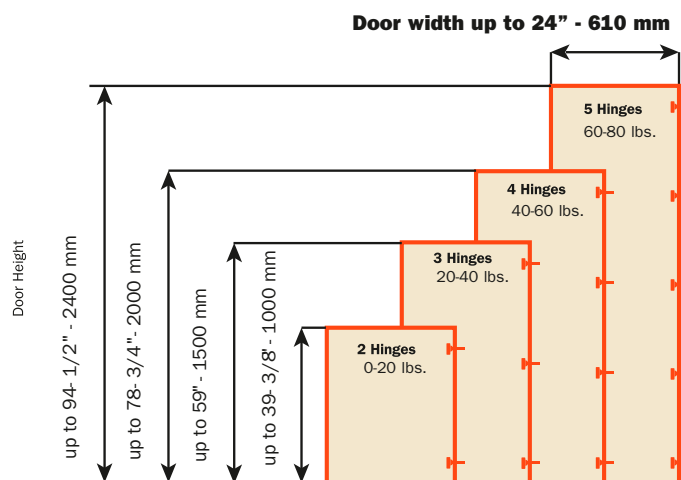
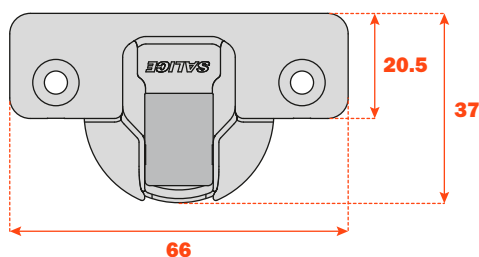
- Adjustment switch to set a comfortable soft close action
- Impervious to temperature extremes
- Very smooth opening with minimal resistance
- Patented compensating parallel side adjustment
- Available in all Salice fixing types (Screw, Dowel, Rapido, Logica)
- Available in Nickel or Titanium finish
- Exceeds ANSI/BHMA standards A156.9-2010

Constant “L” value of 1.5 mm (it does not change during side adjustment).

The number of hinges required depends on the size, weight and material of the door.

**The distance between the top and bottom must be greater than the width of the door.**

Additional hinges should be added if doors are near the border of the line of size or weight chart. Use the diagram below to determine the number of hinges.



**Adjustments**

- Compensating (parallel) side adjustment from -1.5 mm to +4.5 mm.
- Height adjustment ±2 mm.
- Depth adjustment with Domi snap-on mounting plates from -0.5 mm to +2.8 mm.
- Depth adjustment with 200 Series mounting plates +2.8 mm.
- Anti-sliding safety stop.

**Mounting plates**

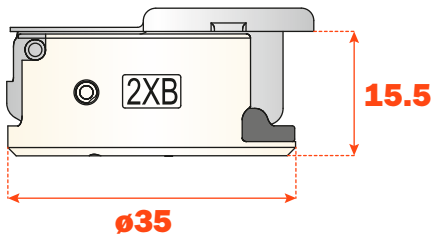
- Snap-on assembly on Domi mounting plates.
- Symmetrical and asymmetrical bright nickel plated steel or die-cast 200 Series mounting plates
- Positioning with pre-determined stop on traditional 200 Series mounting plates.

**Note: Use No. 2 Pozi drive screwdrivers for all screws.**

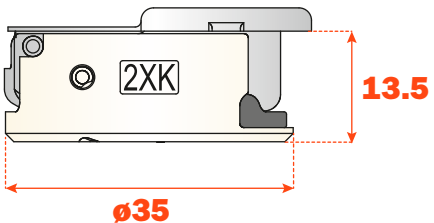
Wood screw		94° P	155° P
Dowel		94° R	155° R
Rapido		7	7
Logica		J	J

Use this table to identify the available attachment options to the door.  
 Fill the third position of the hinge code number with the letter or the number corresponding to your choice. I.e.: C2\_BAE9.

↑  
 Fill this position with the chosen letter or number.



94° opening and complementary hinges



155° opening 0 protrusion hinges



**Technical information**

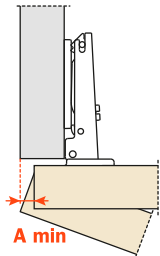
Hinges with adjustable integrated soft-close mechanism operated by twin fluid dampers housed in the hinge cup. The decelerating effect is adjusted by using a simple switch.

Minimum 18 mm / maximum 35 mm door thickness  
15.5 mm deep cup.

94° opening.

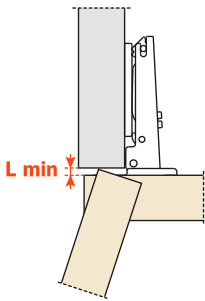
Possible drilling distance on the door (K): from 3 to 9 mm.  
Compatible with all traditional 200 Series mounting plates and with all Domi snap-on mounting plates.

**Space needed to open the door**



T=	19	20	21	22	23	24	25	26	27	28	29	30	31	32	33	34	35
K=3 <b>A=</b>	0.1	0.2	0.3	0.4	0.5	0.7	0.8	1.0	1.6	2.6	3.5	4.5	5.4	6.4	7.4	8.3	9.3
K=4 <b>A=</b>	0.1	0.2	0.3	0.4	0.5	0.7	0.8	1.0	1.2	1.9	2.8	3.8	4.7	5.7	6.6	7.6	8.6
K=5 <b>A=</b>	0.1	0.2	0.3	0.4	0.5	0.7	0.8	1.0	1.2	1.4	2.2	3.1	4.1	5.0	5.9	6.9	7.8
K=6 <b>A=</b>	0.1	0.2	0.3	0.4	0.5	0.6	0.8	1.0	1.2	1.4	1.7	2.6	3.5	4.4	5.3	6.2	7.2
K=7 <b>A=</b>	0.1	0.2	0.3	0.4	0.5	0.6	0.8	1.0	1.1	1.3	1.6	2.1	3.0	3.8	4.7	5.6	6.5
K=8 <b>A=</b>	0.1	0.2	0.3	0.4	0.5	0.6	0.8	0.9	1.1	1.3	1.6	1.8	2.5	3.3	4.2	5.1	6.0
K=9 <b>A=</b>	0.1	0.2	0.3	0.4	0.5	0.6	0.8	0.9	1.1	1.3	1.5	1.8	2.1	2.9	3.7	4.6	5.4

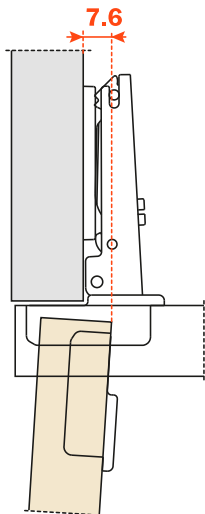
K	3	4	5	6	7	8	9
<b>L=</b>	0.0	0.0	0.0	0.0	0.0	0.3	1.3



The above values are calculated on doors with a 1 mm radius edges. They are reduced if the doors have greater radiussed edges.

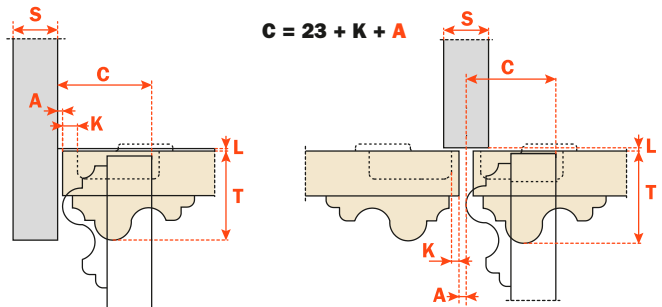
**Protrusion of the door**

Protrusion of the door from the cabinet side at the max. opening. The figures are based on a straight arm hinge, H=0 mm thickness of mounting plate and K value = 3 mm.



**“C” value**

With this formula you can obtain the max. thickness of the moulded door that can be opened without touching adjacent cabinet sides, doors or walls, while bearing in mind the above L·K·T values.



**Abbreviations:**

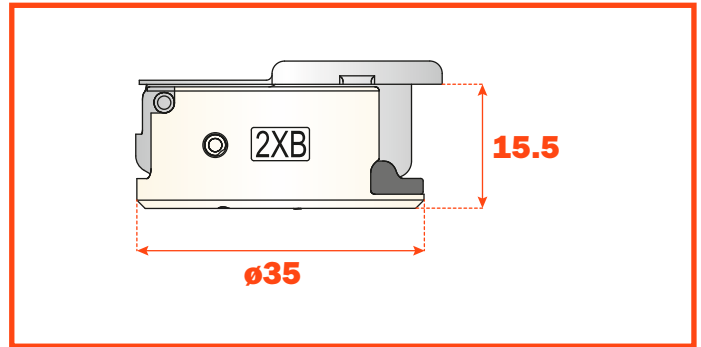
<b>S</b> = Thickness of the cabinet side	<b>A</b> = Reveal
<b>D</b> = Required door overlay	<b>L</b> = Gap between the door and cabinet
<b>T</b> = Door thickness	<b>H</b> = Height of the mounting plate
<b>K</b> = Drilling distance	<b>G</b> = Hinge constant

**Packing** • Boxes 300 pcs. • Pallets 7.200 pcs.

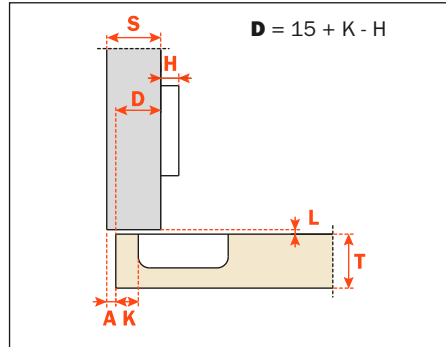
Use these formulas to determine the type of hinge arm, the drilling distance "K" and the height of the mounting plate "H" which is necessary to solve each application problem.

Use the tables "Drilling and attachment" at page 19 to complete the code number of the desired hinge.

**\*Check with your Salice sales representative or customer service for specific Titanium availability**

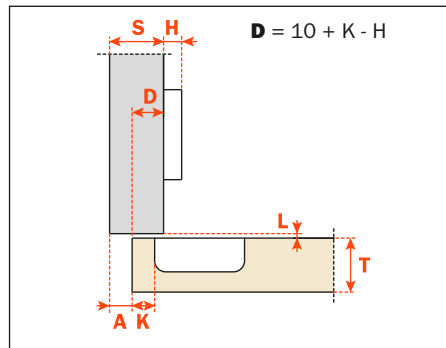


**Full overlay/ A crank - 0 mm**



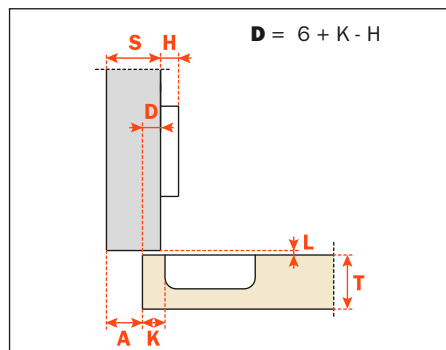
Attachment	Nickel	Titanium
Wood screw	C2PBAE9	C2PBAE6
Dowel	C2RBAE9	C2RBAE6
Rapido	C27BAE9	-
Logica	C2JBAE9	-

**1/2" overlay/ D crank - 5 mm**



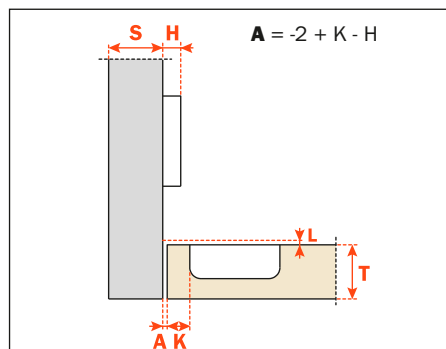
Attachment	Nickel	Titanium
Wood screw	C2PBDE9	-
Dowel	C2RBDE9	-
Rapido	C27BDE9	-
Logica	C2JBDE9	-

**Half overlay/ G crank - 9 mm**



Attachment	Nickel	Titanium
Wood screw	C2PBGE9	C2PBGE6
Dowel	C2RBGE9	C2RBGE6
Rapido	C27BGE9	-
Logica	C2JBGE9	-

**Inset/ P crank - 17 mm**



Attachment	Nickel	Titanium
Wood screw	C2PBPE9	C2PBPE6
Dowel	C2RBPE9	C2RBPE6
Rapido	C27BPE9	-



### Technical information

Hinges with integrated soft-close mechanism operated by twin fluid dampers housed in the hinge cup.

Hinges for 0 protrusion or wide opening angle 13.5 mm deep cup.

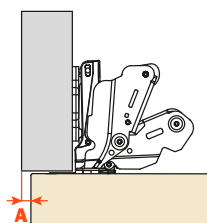
Minimum. 16 mm - 28 mm maximum door thickness.

155° opening.

Possible drilling distance on the door (K): from 3 to 8 mm.

Compatible with all traditional 200 Series mounting plates and with all Domi snap-on mounting plates.

### Space needed to open the door



	T=	16	18	20	22	24	25	26	27	28
K=3	A=	0.0	0.0	0.0	0.0	0.0	0.10	0.40	0.75	1.20
K=4	A=	0.0	0.0	0.0	0.0	0.0	0.15	0.45	0.85	1.35
K=5	A=	0.0	0.0	0.0	0.0	0.0	0.20	0.50	0.95	1.20° 1.70
K=6	A=	0.0	0.0	0.0	0.0	0.0	0.25	0.60	1.10	1.20° 1.95
K=7	A=	0.0	0.0	0.0	0.0	0.0	0.30	0.70	1.30	92° 2.30
K=8	A=	0.0	0.0	0.0	0.0	0.0	0.35	0.85	1.20° 1.70	92° 2.80
K=9	A=	0.0	0.0	0.0	0.0	0.15	0.55	1.20	92° 2.15	

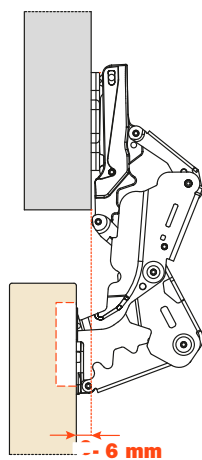
With opening stop device to 92° art. S2BM37XG

With opening stop device to 120° art. S2AM37XG

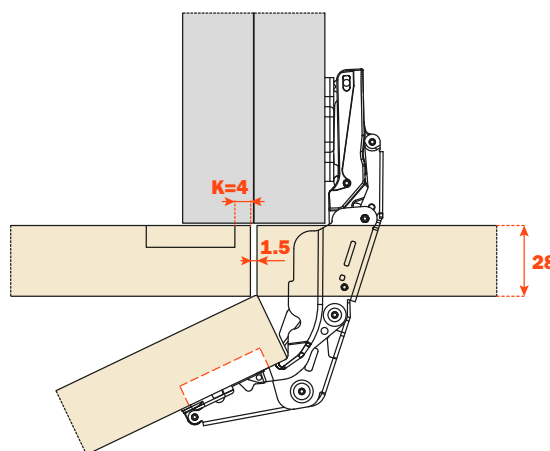
The above values are calculated on doors with a 1 mm radius edges. They are reduced if the doors have greater radiussed edges.

### Protrusion of the door

The door combined with a mounting plate H=0 and a straight arm hinge opens at 90° with lateral door protrusion of -6 mm.



### “C” value



Abbreviations:	
<b>S</b> = Thickness of the cabinet side	<b>A</b> = Reveal
<b>D</b> = Required door overlay	<b>L</b> = Gap between the door and cabinet
<b>T</b> = Door thickness	<b>H</b> = Height of the mounting plate
<b>K</b> = Drilling distance	<b>G</b> = Hinge constant

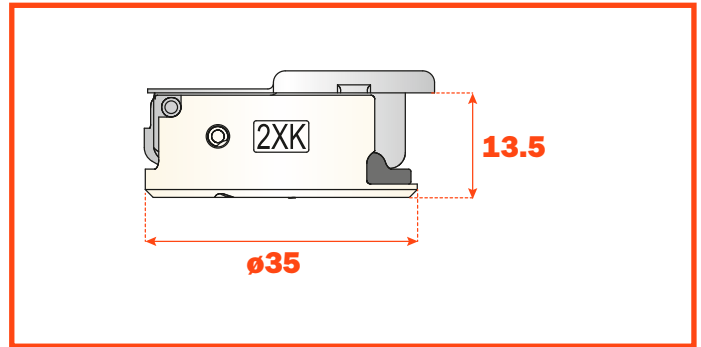
**Packing** • Boxes 100 pcs. • Pallets 2.400 pcs.

Use these formulas to determine the type of hinge arm, the drilling distance "K" and the height of the mounting plate "H" which is necessary to solve each application problem.

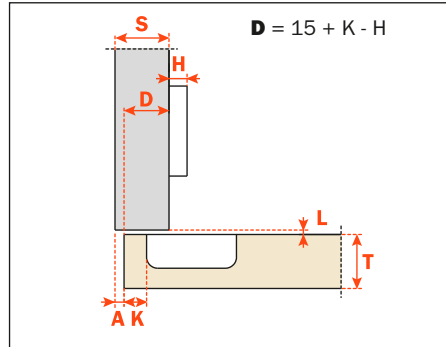
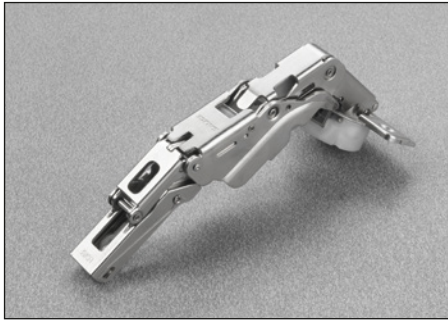
To limit the opening of the hinge, see page 40 chapter "Accessories".

Use the tables "Drilling and attachment" at page 19 to complete the code number of the desired hinge.

**\*Check with your Salice sales representative or customer service for specific Titanium availability**

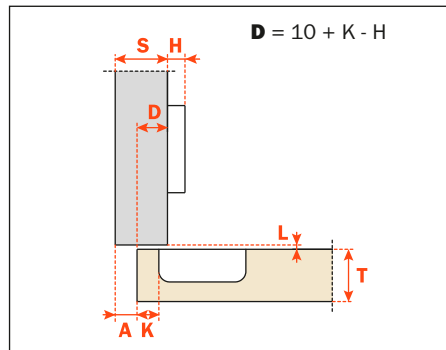
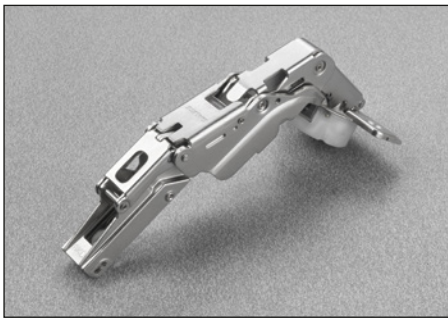


**Full overlay/ A crank - 0 mm**



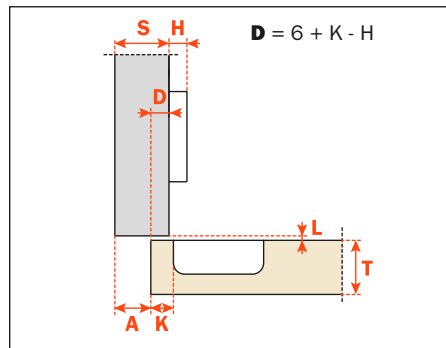
Attachment	Nickel	Titanium
Wood screw	C2PKAE9	C2PKAE6
Dowel	C2RKAE9	C2RKAE6
Rapido	C27KAE9	-
Logica	C2JKAE9	C2JKAE6

**1/2" overlay/ D crank - 5 mm**



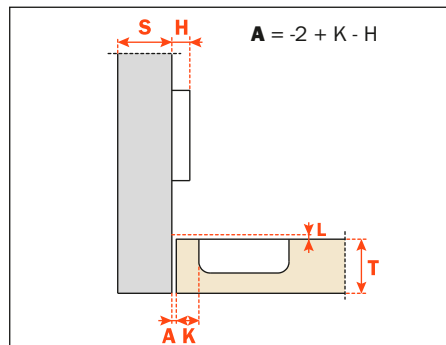
Attachment	Nickel
Wood screw	C2PKDE9
Dowel	C2RKDE9

**Half overlay/ G crank - 9 mm**



Attachment	Nickel	Titanium
Wood screw	C2PKGE9	C2PKGE6
Dowel	C2RKGE9	C2RKGE6
Logica	C2JKGE9	C2JKGE6

**Inset/ P crank - 17 mm**



Attachment	Nickel	Titanium
Wood screw	C2PKPE9	C2PKPE6
Dowel	C2RKPE9	C2RKPE6
Logica	C2JKPE9	C2JKPE6



**Technical information**

**Hinges with adjustable integrated soft-close mechanism operated by twin fluid dampers housed in the hinge cup. The decelerating effect is adjusted by using a simple switch.**

**For doors with positive angled assembly. Minimum 18 mm thick doors.**

**15.5 mm deep cup.**

94° opening.

Possible drilling distance on the door (K): from 3 to 9 mm.

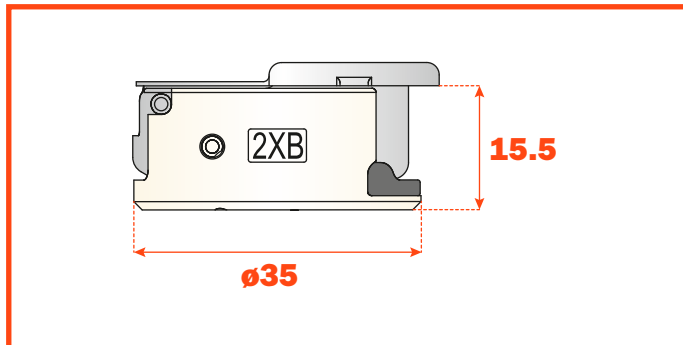
Compatible with all traditional 200 Series mounting plates and with all Domi snap-on mounting plates.

**Packing** • Boxes 150 pcs. • Pallets 3.600 pcs.

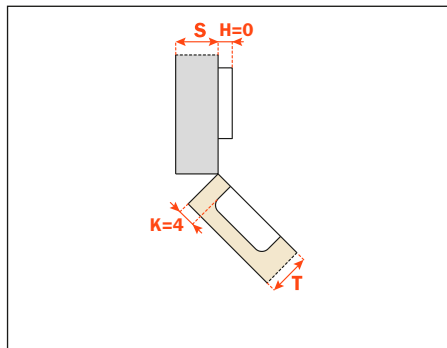
The solution of assembly problems where doors are mounted at a positive angle requires the verification of drilling distances by a practical trial.


Please do not hesitate to consult our technical support department for assistance.

Use the tables “Drilling and attachment” at page 19 to complete the code number of the desired hinge.

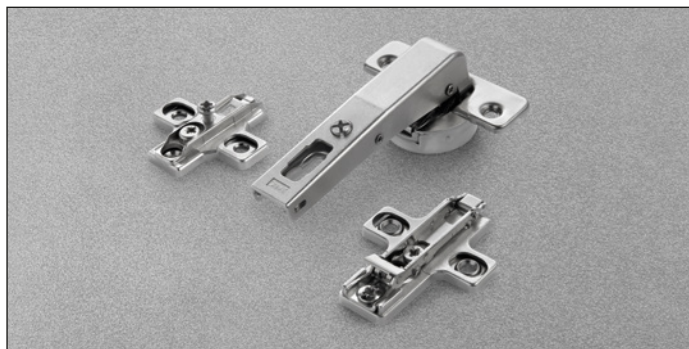


**Arm 45°**



Attachment	Nickel
 Dowel	C2RBME9





**Technical information**

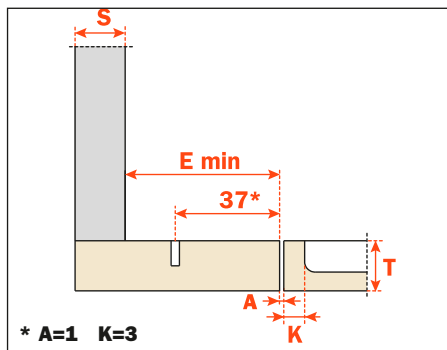
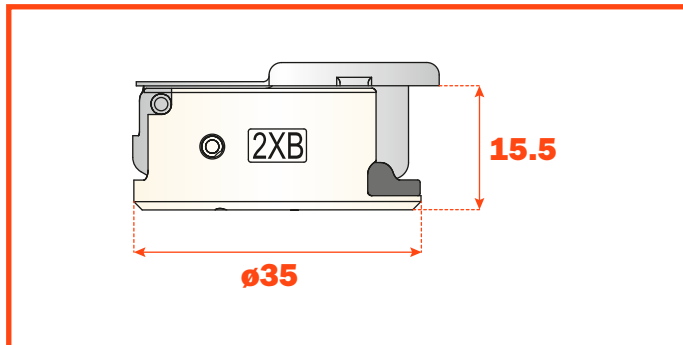
Hinges with adjustable integrated soft-close mechanism operated by twin fluid dampers housed in the hinge cup. The decelerating effect is adjusted by using a simple switch.

**Inset blind corner hinges.**  
**For cabinet sides with 37x32 mm standard drilling.**  
**Minimum 18 mm thick doors.**  
**15.5 mm deep cup.**

94° opening.  
 Possible drilling distance on the door (K): from 3 to 9 mm.  
 Compatible with all traditional 200 Series mounting plates and with all Domi snap-on mounting plates.

**Packing** • Boxes 150 pcs. • Pallets 3.600 pcs.

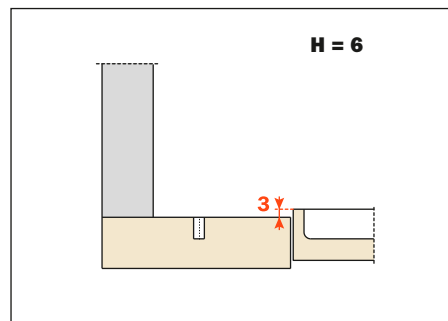
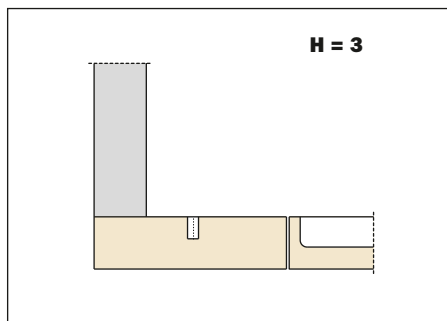
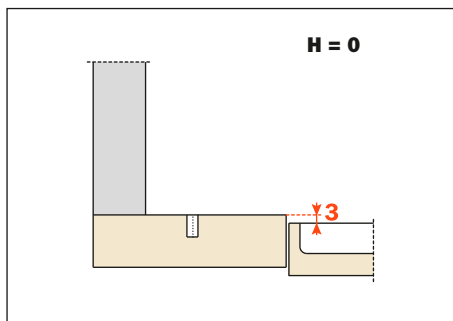
Use the tables “Drilling and attachment” at page 19 to complete the code number of the desired hinge.



Attachment	Nickel
Wood screw	C2PBNE9AC
Dowel	C2RBNE9AC

**E min:**  
 • 61 mm for 200 Series mounting plates.  
 • 70 mm for Domi snap-on mounting plates.  
 • 74 mm for Domi snap-on mounting plates with back cam.

**Heights of mounting plates for every application.**





## Silentia+ • 700 Series



**Integrated soft close by means of twin fluid dampers**

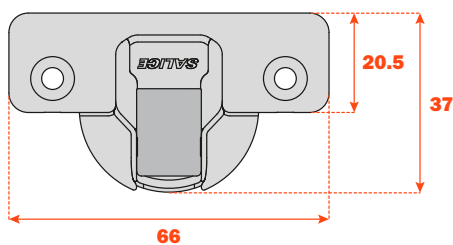
- Adjustment switch to set a comfortable soft close action
- Impervious to temperature extremes
- Very smooth opening with minimal resistance
- Patented compensating parallel side adjustment
- Available in all Salice fixing types (Screw, Dowel, Rapido, Logica)
- Available in Nickel or Titanium finish
- Exceeds ANSI/BHMA standards A156.9-2010

**Constant “L” value of 1.5 mm (it does not change during side adjustment).**

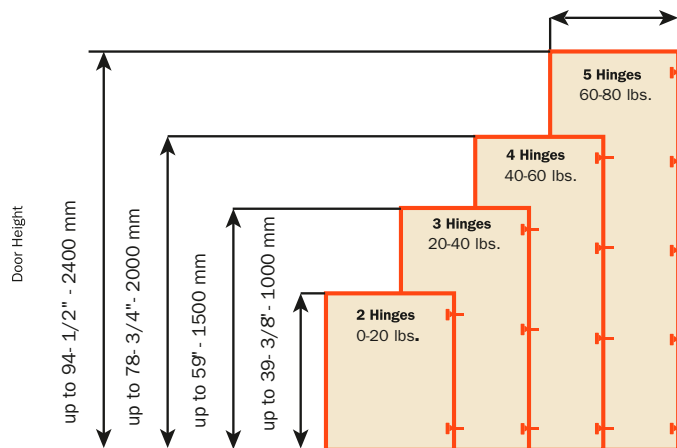
The number of hinges required depends on the size, weight and material of the door.

**The distance between the top and bottom must be greater than the width of the door.**

Additional hinges should be added if doors are near the border of the line of size or weight chart. Use the diagram below to determine the number of hinges.



**Door width up to 24" - 610 mm**



**Adjustments**

Compensated (parallel) side adjustment from -1.5 mm to +4.5 mm.  
 Height adjustment ±2 mm.  
 Depth adjustment with Domi snap-on mounting plates from -0.5 mm to +2.8 mm.  
 Depth adjustment with 200 Series mounting plates +2.8 mm.  
 Anti-sliding safety stop.

**Mounting plates**

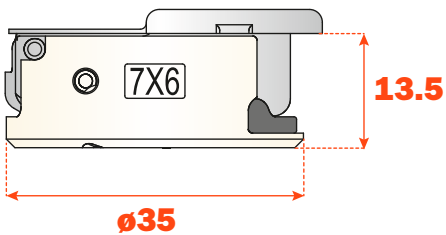
Snap-on assembly on Domi mounting plates.  
 Symmetrical and asymmetrical bright nickel plated steel or die-cast 200 Series mounting plates.  
 Positioning with pre-determined stop on traditional 200 Series mounting plates.

**Note: Use No. 2 Pozi drive screwdrivers for all screws.**

		<p>45  <math>\varnothing 35</math>          9.5  <b>110°</b>          K</p>
Wood screw		<b>P</b>
		<p>45  <math>\varnothing 35</math>          9.5  <b>110°</b>          K  <math>\varnothing 8</math></p>
Dowel		<b>R</b>
Rapido		<b>7</b>
Logica		<b>J</b>

Use this table to identify the available attachment options to the door.  
 Fill the third position of the hinge code number with the letter or the number corresponding to your choice. I.e.: C7\_6AE9.

↑  
 Fill this position with the chosen letter or number.



**110° opening  
 and complementary hinges**



### Technical information

Hinges with adjustable integrated soft-close mechanism operated by twin fluid dampers housed in the hinge cup. The decelerating effect is adjusted by using a simple switch.

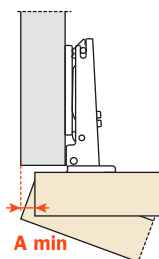
Minimum 16 mm / maximum 26 mm door thickness  
13.5 mm deep cup.

110° opening.

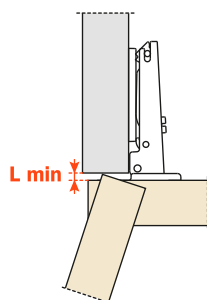
Possible drilling distance on the door (K): from 3 to 6 mm.

Compatible with all traditional 200 Series mounting plates and with all Domi snap-on mounting plates.

### Space needed to open the door



T=	16	17	18	19	20	21	22	23	24	25	26
K=3 A=	0.7	0.9	1.1	1.3	1.6	1.9	2.2	2.6	3.2	4.4	5.7
K=4 A=	0.6	0.8	1.1	1.3	1.6	1.8	2.2	2.5	2.9	3.4	4.7
K=5 A=	0.6	0.8	1.0	1.3	1.5	1.8	2.1	2.4	2.8	3.2	3.7
K=6 A=	0.6	0.8	1.0	1.2	1.5	1.8	2.1	2.4	2.7	3.1	3.6

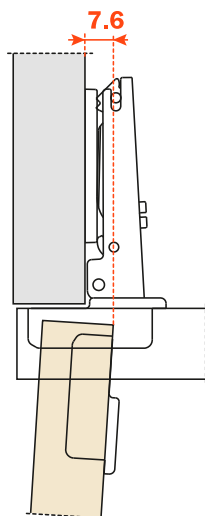


T=	16	17	18	19	20	21	22	23	24	25	26
K=3 L=	0.0	0.0	0.0	0.0	0.0	0.0	0.0	0.2	0.4	0.6	0.9
K=4 L=	0.0	0.0	0.0	0.3	0.5	0.7	0.9	1.1	1.4	1.6	1.8
K=5 L=	0.6	0.8	1.0	1.2	1.5	1.7	1.9	2.1	2.4	2.6	2.8
K=6 L=	1.5	1.8	2.0	2.2	2.4	2.7	2.9	3.1	3.3	3.6	3.8

The above values are calculated on doors with a 1 mm radius edges. They are reduced if the doors have greater radiused edges.

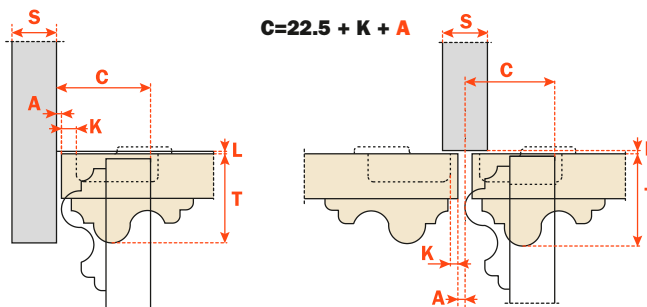
### Protrusion of the door

Protrusion of the door from the cabinet side at the max. opening. The figures are based on a straight arm hinge, H=0 mm thickness of mounting plate and K value = 3 mm.



### “C” value

With this formula you can obtain the max. thickness of the moulded door that can be opened without touching adjacent cabinet sides, doors or walls, while bearing in mind the above L · K · T values.



#### Abbreviations:

<b>S</b> = Thickness of the cabinet side	<b>A</b> = Reveal
<b>D</b> = Required door overlay	<b>L</b> = Gap between the door and cabinet
<b>T</b> = Door thickness	<b>H</b> = Height of the mounting plate
<b>K</b> = Drilling distance	<b>G</b> = Hinge constant

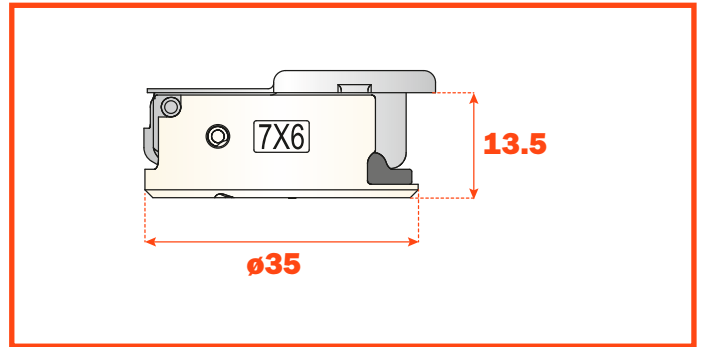
**Packing** • Boxes 300 pcs. • Pallets 7.200 pcs.

Use these formulas to determine the type of hinge arm, the drilling distance "K" and the height of the mounting plate "H" which is necessary to solve each application problem.

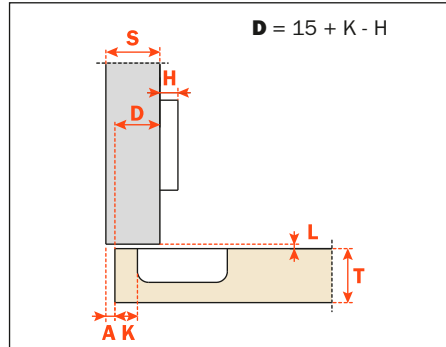
Use the tables "Drilling and attachments" at page 29 to complete the code number of the desired hinge.

To limit the opening of the hinge, see page 40, chapter "Accessories".

**\*Check with your Salice sales representative or customer service for specific Titanium availability**

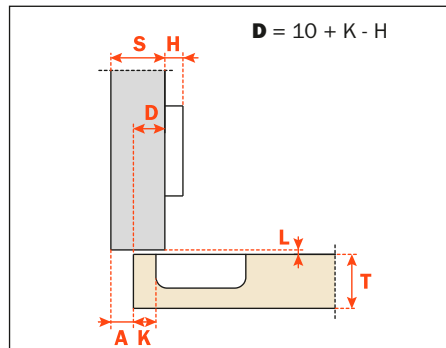


**Full overlay/ A crank - 0 mm**



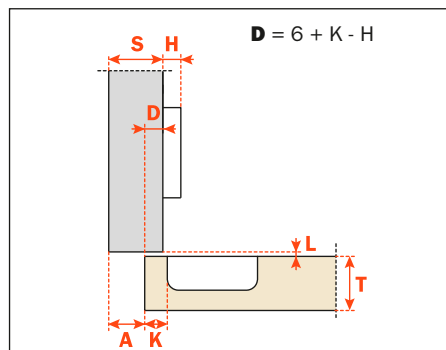
Attachment	Nickel	Titanium
Wood screw	C7P6AE9	C7P6AE6
Dowel	C7R6AE9	C7R6AE6
Rapido	C776AE9	-
Logica	C7J6AE9	C7J6AE6

**1/2" overlay/ D crank - 5 mm**



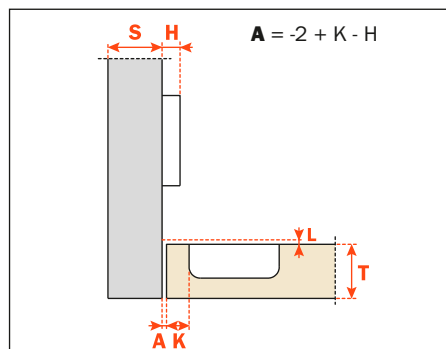
Attachment	Nickel	Titanium
Wood screw	C7P6DE9	-
Dowel	C7R6DE9	-
Rapido	C776DE9	-
Logica	C7J6DE9	-

**Half overlay/ G crank - 9 mm**



Attachment	Nickel	Titanium
Wood screw	C7P6GE9	C7P6GE6
Dowel	C7R6GE9	C7R6GE6
Rapido	C776GE9	-
Logica	C7J6GE9	C7J6GE6

**Inset/ P crank - 17 mm**



Attachment	Nickel	Titanium
Wood screw	C7P6PE9	C7P6PE6
Dowel	C7R6PE9	C7R6PE6
Rapido	C776PE9	-
Logica	C7J6PE9	C7J6PE6



**Technical information**

**Hinges with adjustable integrated soft-close mechanism operated by twin fluid dampers housed in the hinge cup. The decelerating effect is adjusted by using a simple switch.**

**For doors with positive angled assembly. Minimum 16 mm thick doors.**

**13.5 mm deep cup.**

110° opening.

Possible drilling distance on the door (K): from 3 to 6 mm.

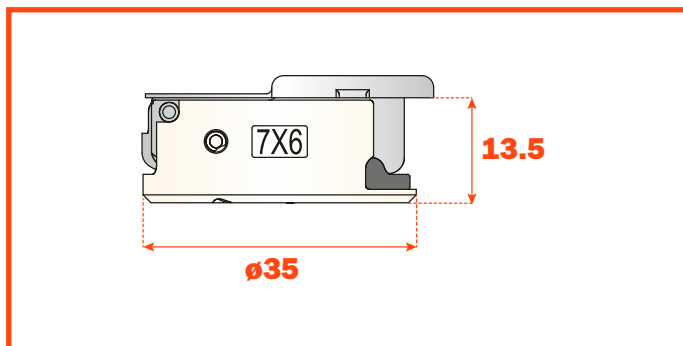
Compatible with all traditional 200 Series mounting plates and with all Domi snap-on mounting plates.

**Packing** • Boxes 150 pcs. • Pallets 3.600 pcs.

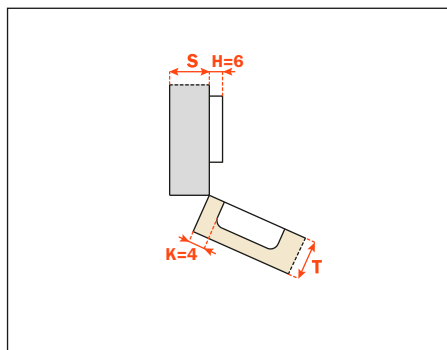
The solution of assembly problems where doors are mounted at a positive angle requires the verification of drilling distances by a practical trial.

Please do not hesitate to consult our technical support department for assistance.

Use the tables “Drilling and attachment” at page 29 to complete the code number of the desired hinge.

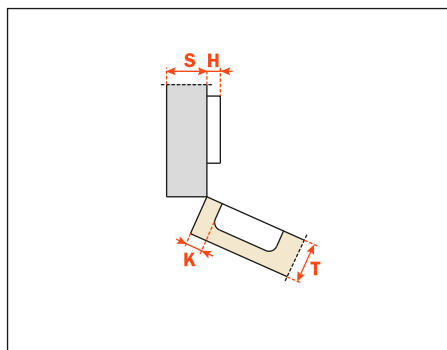
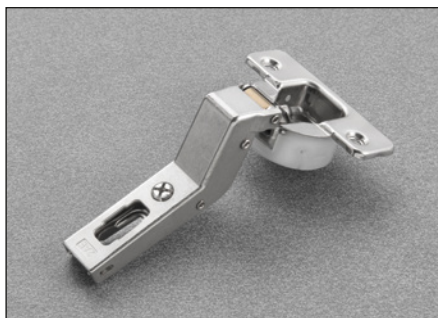


**Arm 24°**



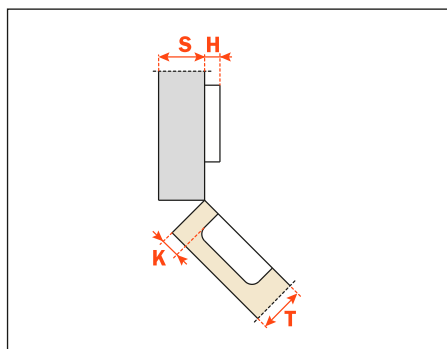
Attachment	Nickel
Dowel	C7R6UE9

**Arm 30°**



Attachment	Nickel	Titanium
Dowel	C7R6EE9	C7R6EE6

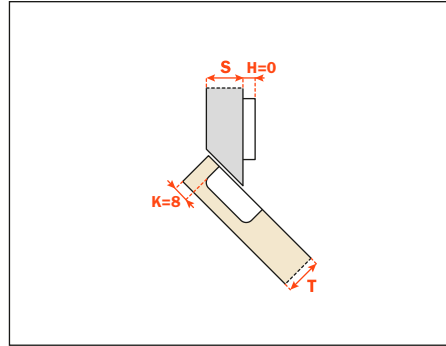
**Arm 45°**



Attachment	Nickel	Titanium
Dowel	C7R6ME9	C7R6ME6

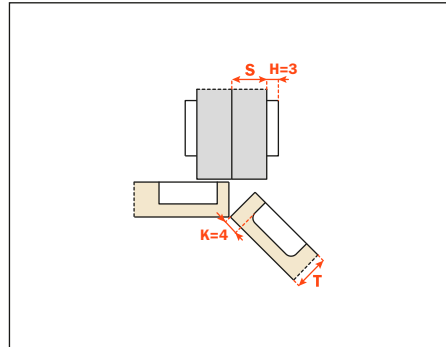



Arm 45°



Attachment	Nickel
 Dowel	C7R6VE9

Arm 45°



Attachment	Nickel
 Dowel	C7R6ME9AC



**Technical information**

**Hinges with adjustable integrated soft-close mechanism operated by twin fluid dampers housed in the hinge cup. The decelerating effect is adjusted by using a simple switch.**

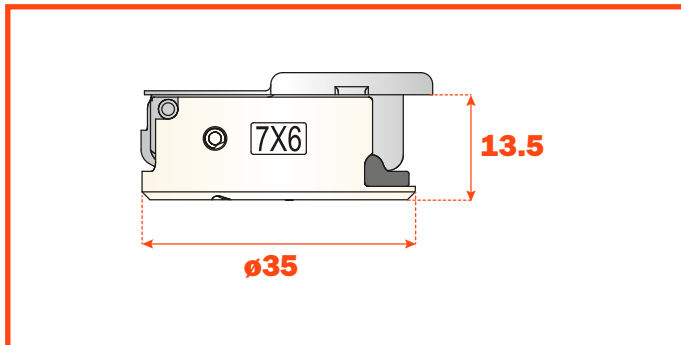
**For doors with negative angled assembly. Minimum 16 mm thick doors. 13.5 mm deep cup.**

110° opening.  
Possible drilling distance on the door (K): from 3 to 6 mm.  
Compatible with all traditional 200 Series mounting plates and with all Domi snap-on mounting plates.

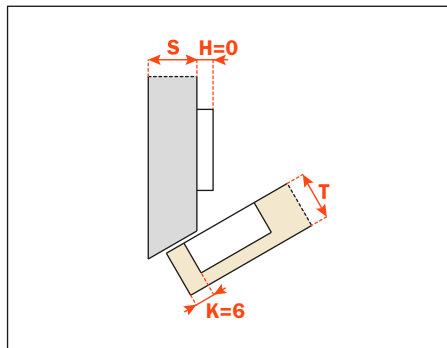
**Packing** • Boxes 150 pcs. • Pallets 3.600 pcs.



The solution of assembly problems where doors are mounted at a negative angle requires the verification of drilling distances by a practical trial. Please do not hesitate to consult our technical support department for assistance.

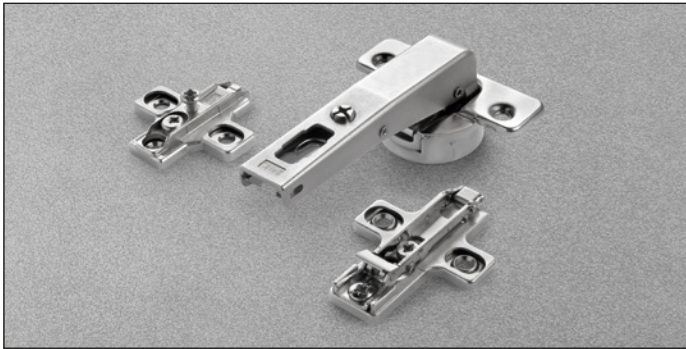
Use the tables “Drilling and attachment” at page 29 to complete the code number of the desired hinge.



**Arm -30°**



<b>Attachment</b>		<b>Nickel</b>
	Wood screw	C7P6WE9
	Dowel	C7R6WE9



## Technical information

**Hinges with adjustable integrated soft-close mechanism operated by twin fluid dampers housed in the hinge cup. The decelerating effect is adjusted by using a simple switch.**

### Inset blind corner hinges.

**For cabinet sides with 37x32 mm standard drilling. Minimum 16 mm thick doors.**

13.5 mm deep cup.

110° opening.

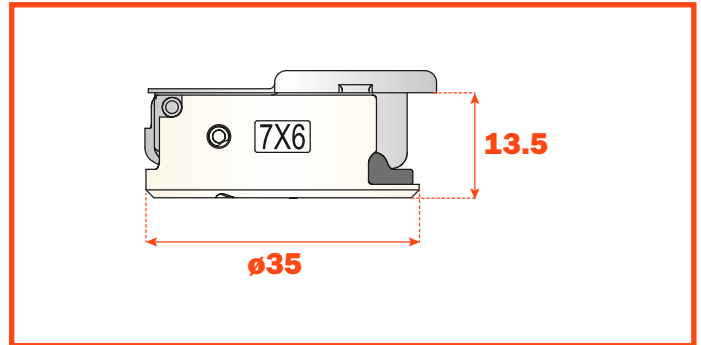
Possible drilling distance on the door (K): from 3 to 6 mm.

Compatible with all traditional 200 Series mounting plates and with all Domi snap-on mounting plates.

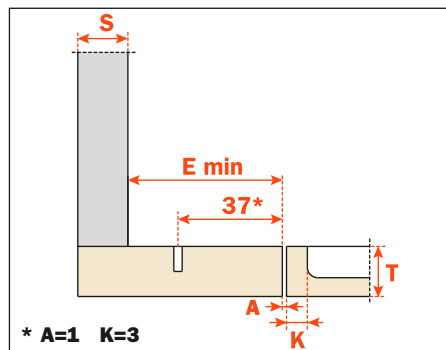
**Packing** • Boxes 150 pcs. • Pallets 3.600 pcs.

Use the tables "Drilling and attachments" at page 29 to complete the code number of the desired hinge.

**\*Check with your Salice sales representative or customer service for specific Titanium availability**



### Inset blind corner hinge

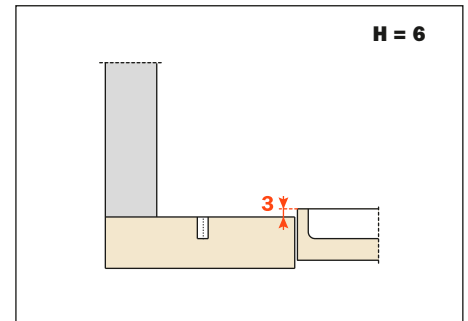
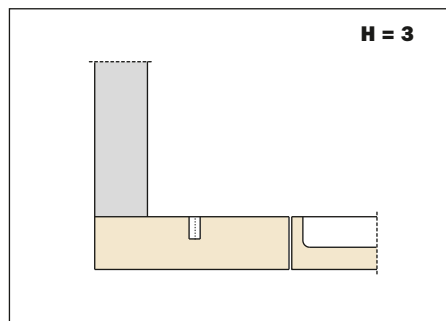
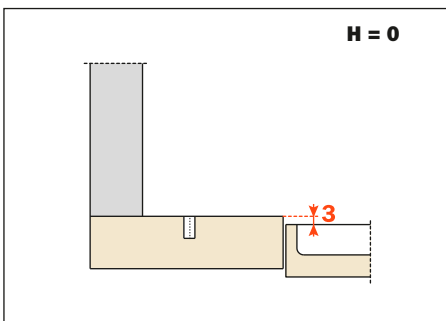


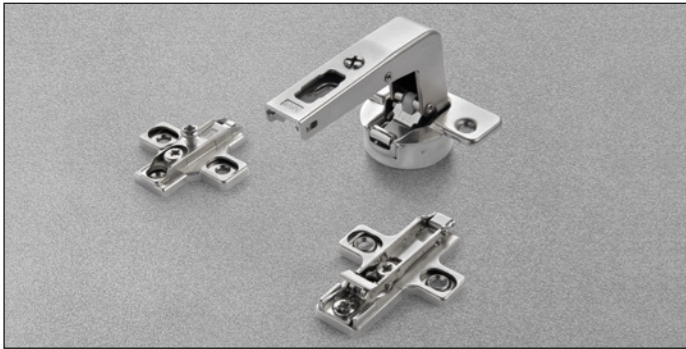
Attachment		Nickel
	Wood screw	C7P6NE9AC
	Dowel	C7R6NE9AC
	Logica	C7J6NE9AC

#### E min:

- 61 mm for 200 Series mounting plates.
- 70 mm for Domi snap-on mounting plates.
- 74 mm for Domi snap-on mounting plates with back cam.

### Heights of mounting plates for every application.





**Technical information**

Hinges with adjustable integrated soft-close mechanism operated by twin fluid dampers housed in the hinge cup. The decelerating effect is adjusted by using a simple switch.

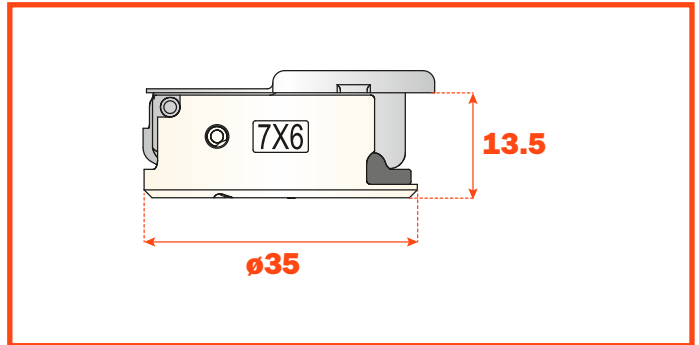
**Overlay blind corner hinges.**  
**Minimum 16 mm thick doors.**  
**13.5 mm deep cup.**

110° opening.  
 Possible drilling distance on the door (K): from 3 to 6 mm.  
 Compatible with all traditional 200 Series mounting plates and with all Domi snap-on mounting plates.

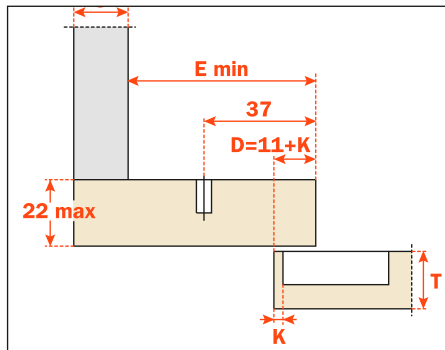
**Packing** • Boxes 150 pcs. • Pallets 3.600 pcs.

Use the tables “Drilling and attachments” at page 29 to complete the code number of the desired hinge.

**\*Check with your Salice sales representative or customer service for specific Titanium availability**



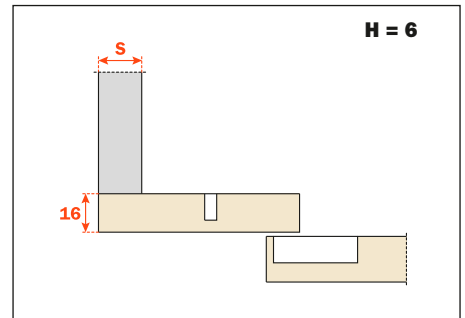
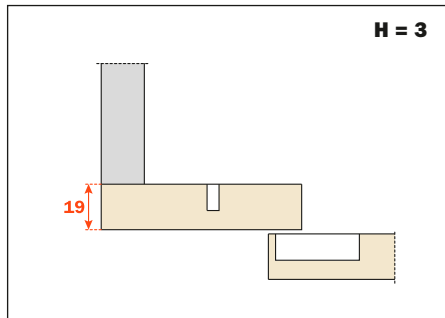
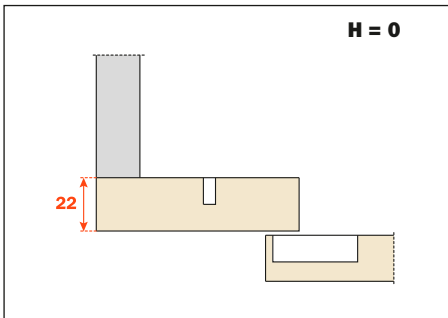
**Overlay blind corner hinge**



<b>Attachment</b>		<b>Nickel</b>
	Wood screw	C7P6NE9AM
	Dowel	C7R6NE9AM

**E min:**  
 • 61 mm for 200 Series mounting plates.  
 • 70 mm for Domi snap-on mounting plates.  
 • 74 mm for Domi snap-on mounting plates with back cam.

**Heights of mounting plates for every application.**



# Accessories



## Hinge arm cover caps

\*Check with your Salice sales representative or customer service for specific Titanium availability

### **S2BX83H9\_\_ - Nickel** **S2BX83H6\_\_ - Titanium**

Symmetrical steel screw cover cap, it can be personalized on request.

For 100, 200 and 700 Series hinges.

Min order quantity is 10,000 and a lead time of 10 weeks is required for personalized embossed cover caps.



### **S2MX83H9\_\_ - Nickel** **S2MX83H6\_\_ - Titanium**

Symmetrical steel screw cover cap with personalized embossed logo.

For 100, 200 and 700 Series hinges.

Min order quantity of 10,000 and a lead time of 10 weeks is required for personalized cover caps.



### **S2XX83A1\_\_**

Nylon symmetrical screw cover cap with printed logo.

For 100, 200 and 700 Series hinges.

Min. order quantity is 10,000 and a lead time of 10 weeks is required for personalized printed cover caps. Excluded: 155° opening hinges.



### **S2XX83A1**

Nylon symmetrical screw cover cap without printed logo.

For 100, 200 and 700 Series hinges.

Min. order quantity and lead time required for personalized cover caps. Excluded: 155° opening hinges.



## Flange cover caps

\*Check with your Salice sales representative or customer service for specific Titanium availability

### S2XX85H9 - Nickel S2XX85H6 - Titanium



Steel flange cover cap, it can be personalized on request.

For all 100, 200, 700 Series.

Min order quantity of 10,000 and a lead time of 10 weeks is required for personalized printed cover caps.

### S2CX85H9 - Nickel S2CX85H6 - Titanium



Steel flange cover cap with embossed logo.

For all 100, 200 and 700 Series,

Min order quantity of 10,000 and a lead time of 10 weeks is required for personalized embossed cover caps.

## Spacers and gauge for Silentia hinges

### S2XF86



Spacer to reduce the drilling depth for 155° hinges.

**S2XF86BT** = 0.6 mm  
**S2XF86AT** = 1.2 mm  
**S2XF86KT** = 1.8 mm

### S2XX86



Spacer to reduce the drilling depth for 94°, 105° and 110° hinges.

**S2XX86BT** = 0.6 mm  
**S2XX86AT** = 1.2 mm  
**S2XX86KT** = 1.8 mm

### D\_A\_AC\_SN



Gauge to check the diameter and the depth of the drilling.

**D1A6AC3SN** = 12 mm  
**D2ABACGSN** = 15.5 mm  
**D7A6ACYSN** = 13.5 mm

## Screwdriver

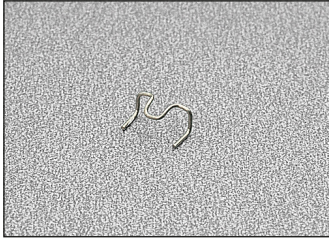
### D2A7XCXCP

Pozi screwdriver

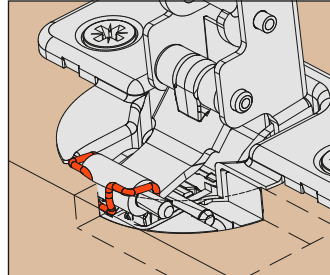
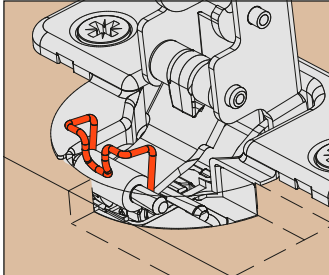


## Angle reduction

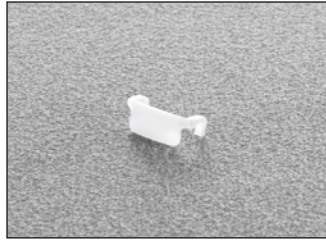
### S2A637XF



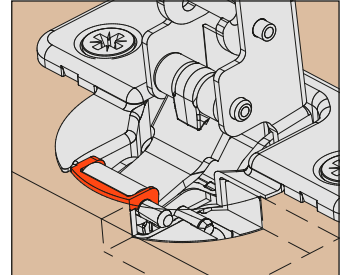
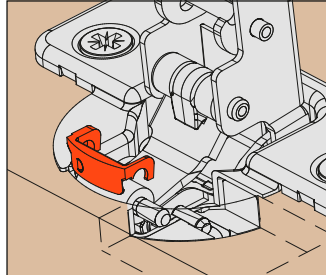
For all 200 and 700 Series hinges, it limits opening at about 86°.



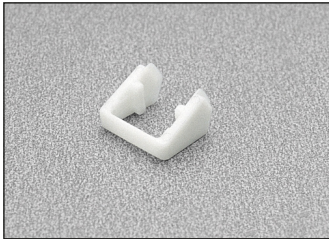
### S1E637XY



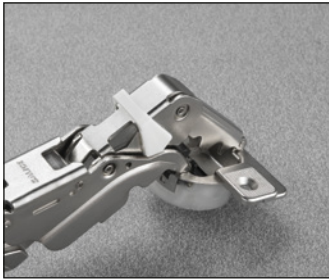
For all 100 and 700 Series hinges, it limits opening at about 86°.



### S2BF37XY



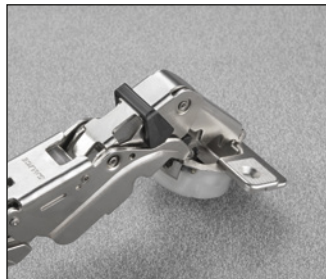
For 155° hinges, it limits opening at 130°.



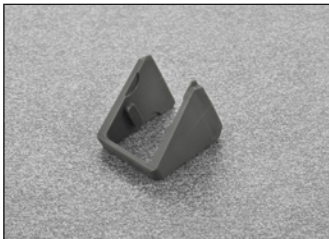
### S2AF37X3



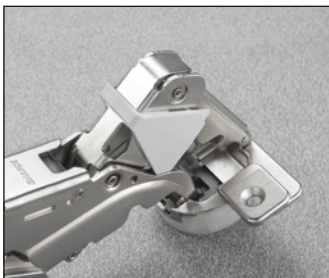
For 155° hinges, it limits opening at 135°.



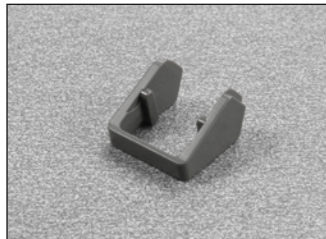
### S2BM37XG



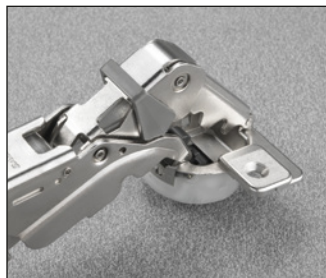
For 155° hinges, it limits opening at 92°.



### S2AM37XG



For 155° hinges, it limits opening at 120°.





# Opening, Lifting, Sliding & Storing All from Salice

To see more of Salice's innovative solutions, please visit [www.saliceamerica.com](http://www.saliceamerica.com) or [www.salicecanada.com](http://www.salicecanada.com)

## Hinge systems



## Lift systems



## Runner & Drawer systems



## Sliding door systems



## Kitchen accessories



## Closet accessories







Proudly Supplied By



1-855-650-3265 | [www.rugbyabp.com](http://www.rugbyabp.com)