



Pacta

SALICE

PACTA



Pacta is a compact hinge system for drop down doors that open downwards without the need for additional flap stays or cables.

Pacta has a soft opening system for a controlled and gradual opening.

In the fully-open position, the door and cabinet bottom panel are aligned, creating a uniform and flat surface.

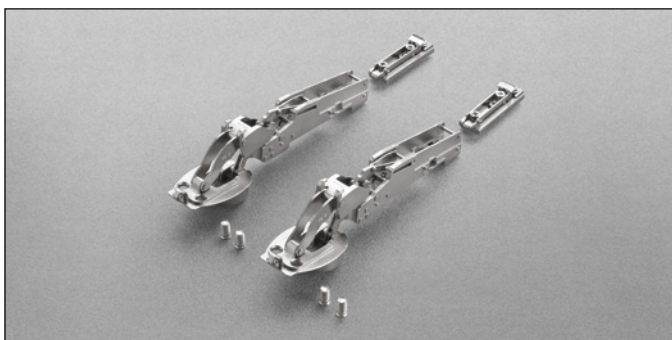
Available in either Soft Opening with Self close feature or Soft Opening with Push to open feature for handle-less doors.

Pacta covers are offered in a variety of finishes to complement and blend with any interior.

Application possibilities are endless: kitchen & bathroom cabinets, living room furniture and can also be used to create desks or writing surfaces.



PACTA

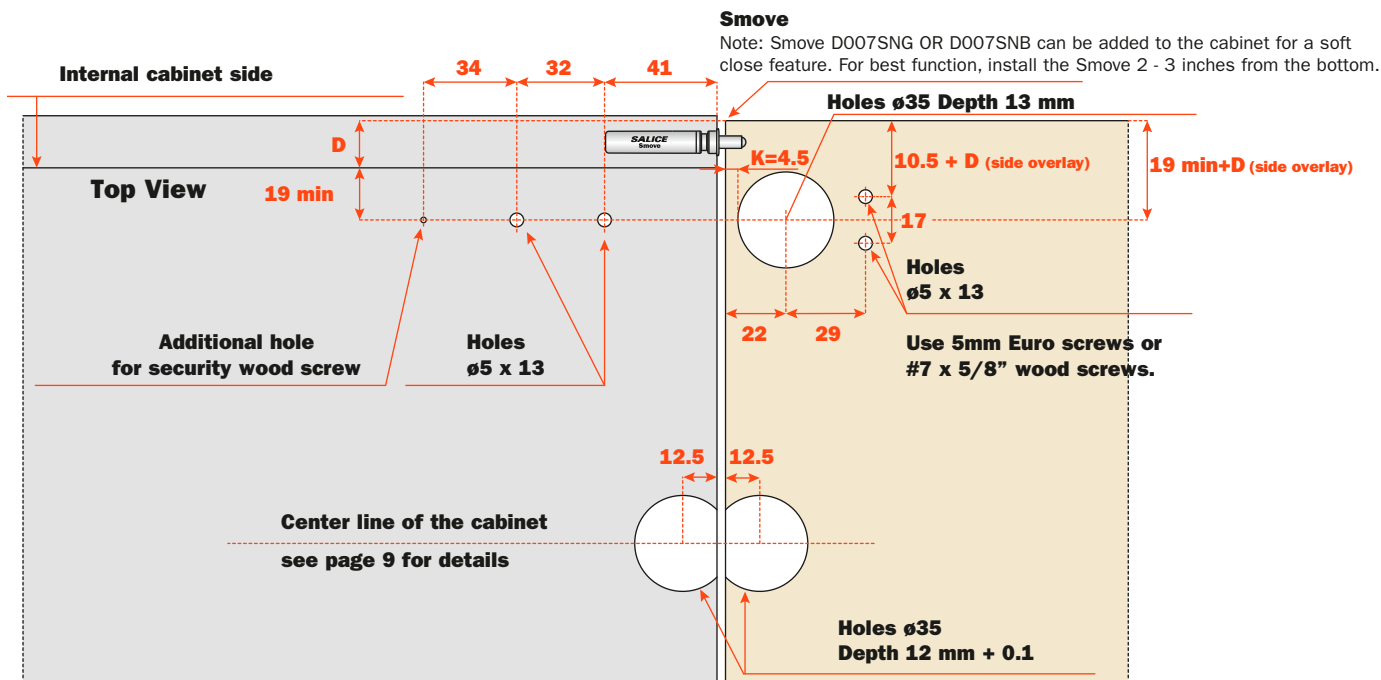
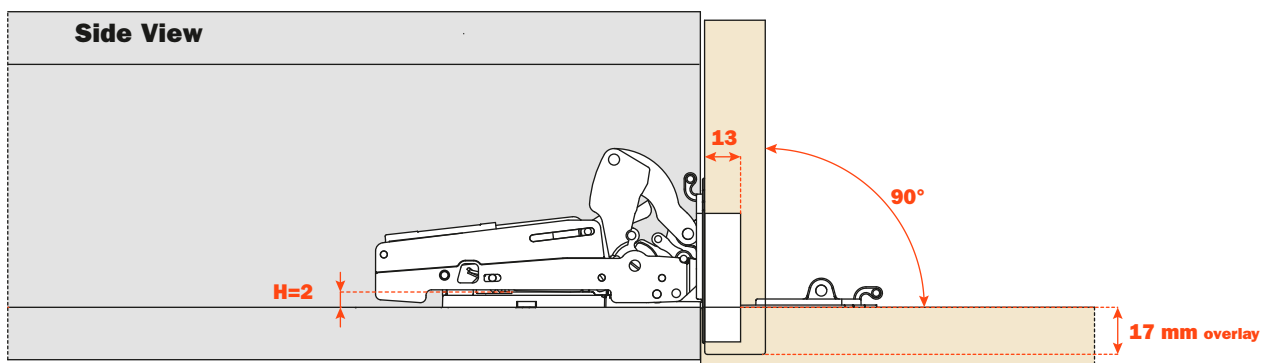


Technical information

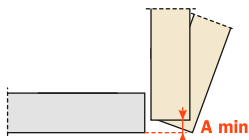
Hinges with Soft Opening and self close feature.

- Standard drilling of the door \varnothing 35.
 - 13 mm deep cup.
 - 90° opening.
 - Fixed K = 4.5 mm.
 - Minimum door height of 11"
 - Maximum door height of 16"
 - Minimum door thickness of 16 mm
 - Maximum door thickness of 28 mm.
 - Overlay 17 mm \pm adjustment.
 - Attachment to the cabinet with in-line, snap-on mounting plate (BAPGR29/16).
- Pacta is tested and certified to level 3 of UNI EN 15828:2010**

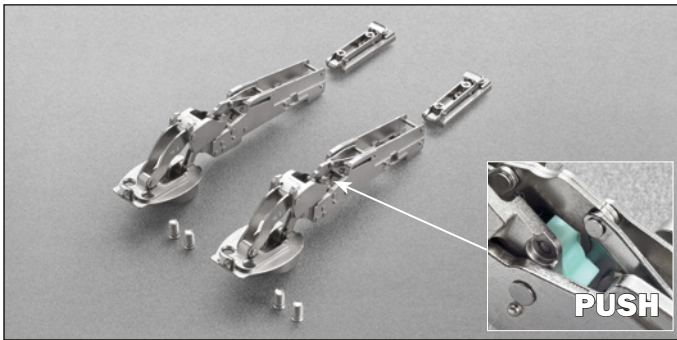
Drilling patterns



Space needed to open the door



T=	16	17	18	19	20	21	22	23	24	25	26	27	28
K=4.5	A= 1.3	2.1	3	3.9	4.8	5.7	6.6	7.5	8.5	9.4	10.4	11.3	12.3



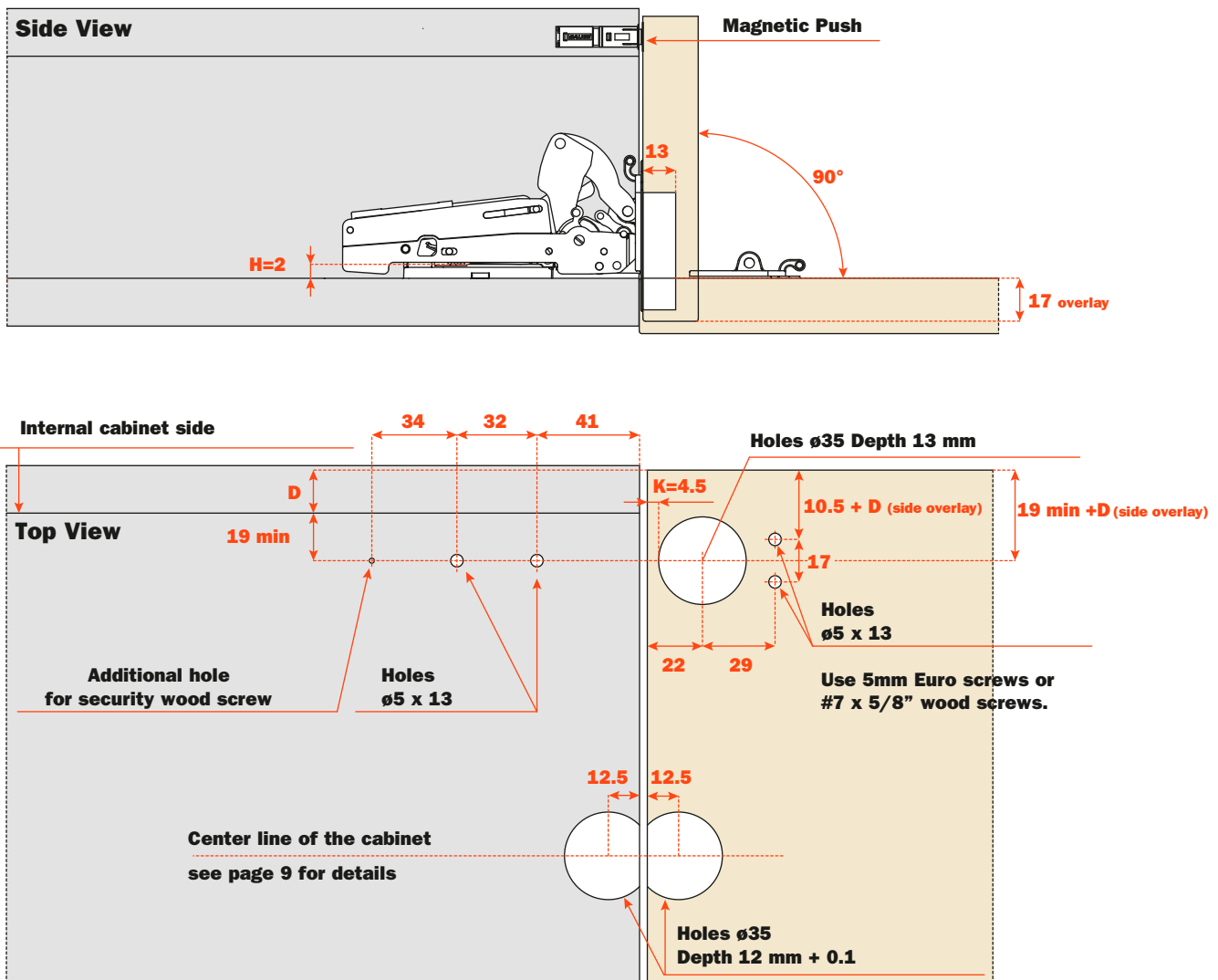
Technical information

Hinges with Soft Opening and Push to open feature.

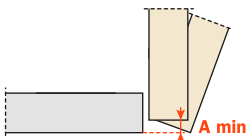
- Standard drilling of the door \varnothing 35.
- 13 mm deep cup.
- 90° opening.
- Fixed $K = 4.5$ mm.
- Minimum door height of 11"
- Maximum door height of 16"
- Minimum door thickness of 16 mm
- Maximum door thickness of 28 mm.
- Overlay 17 mm \pm adjustment.
- Attachment to the cabinet with in-line, snap-on mounting plate (BAPGR29/16).

Pacta is tested and certified to level 3 of UNI EN 15828:2010

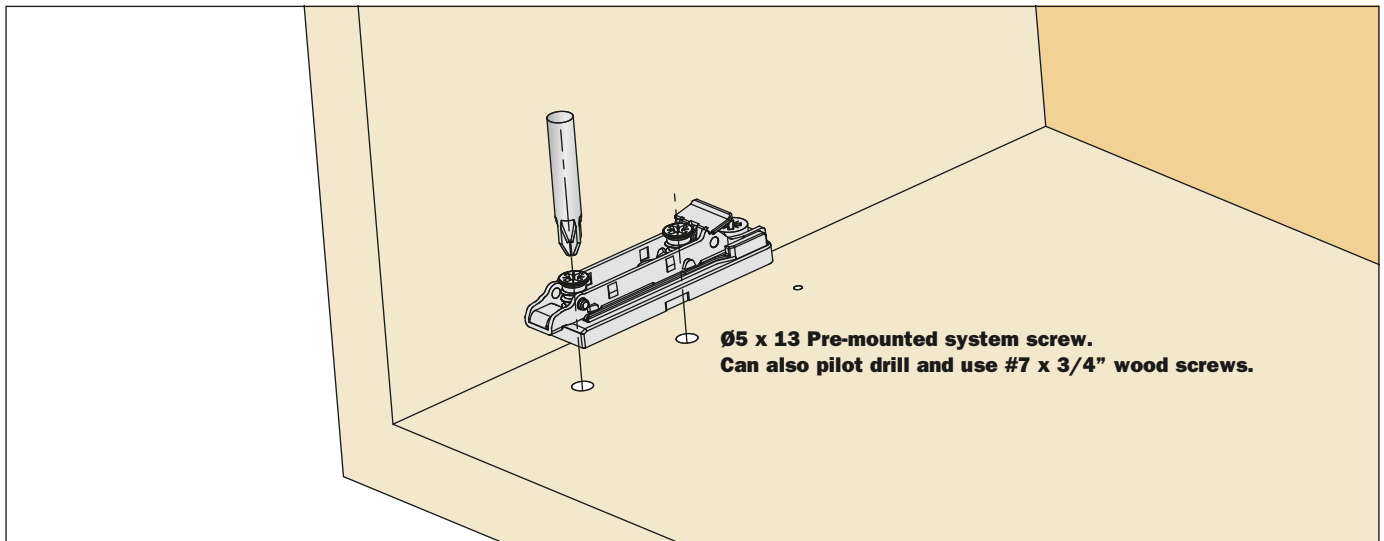
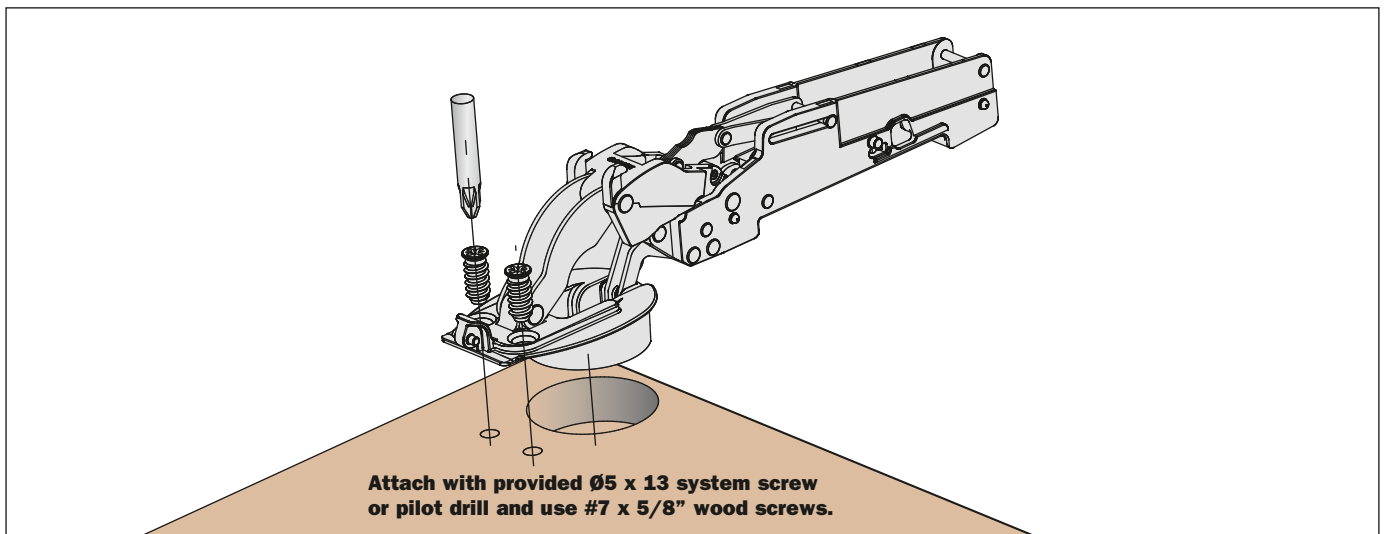
Drilling patterns



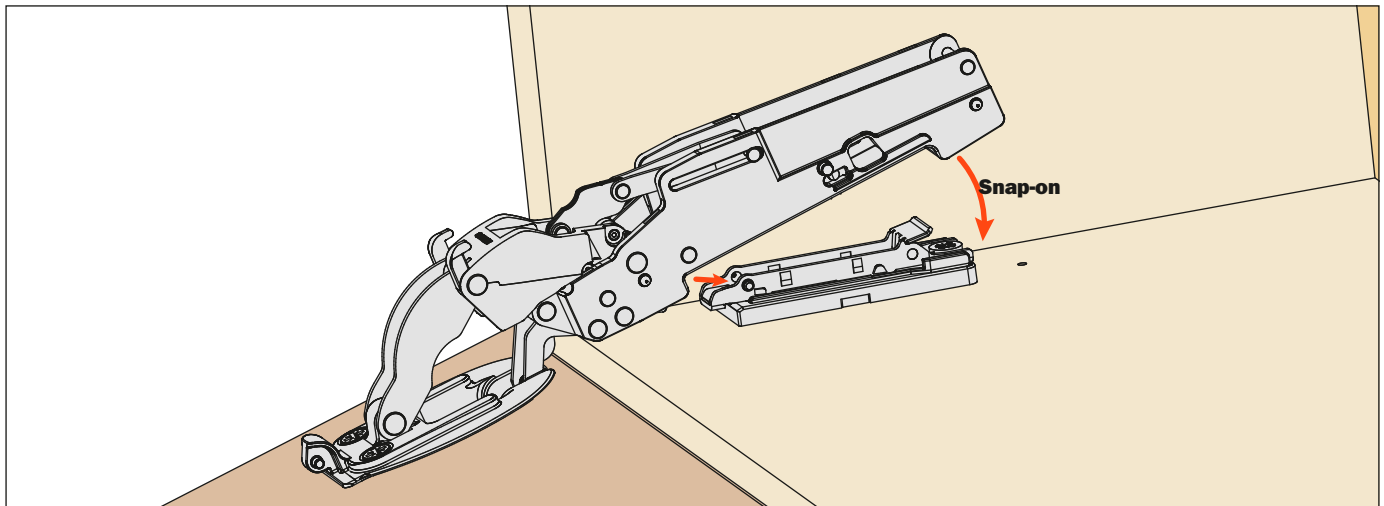
Space needed to open the door



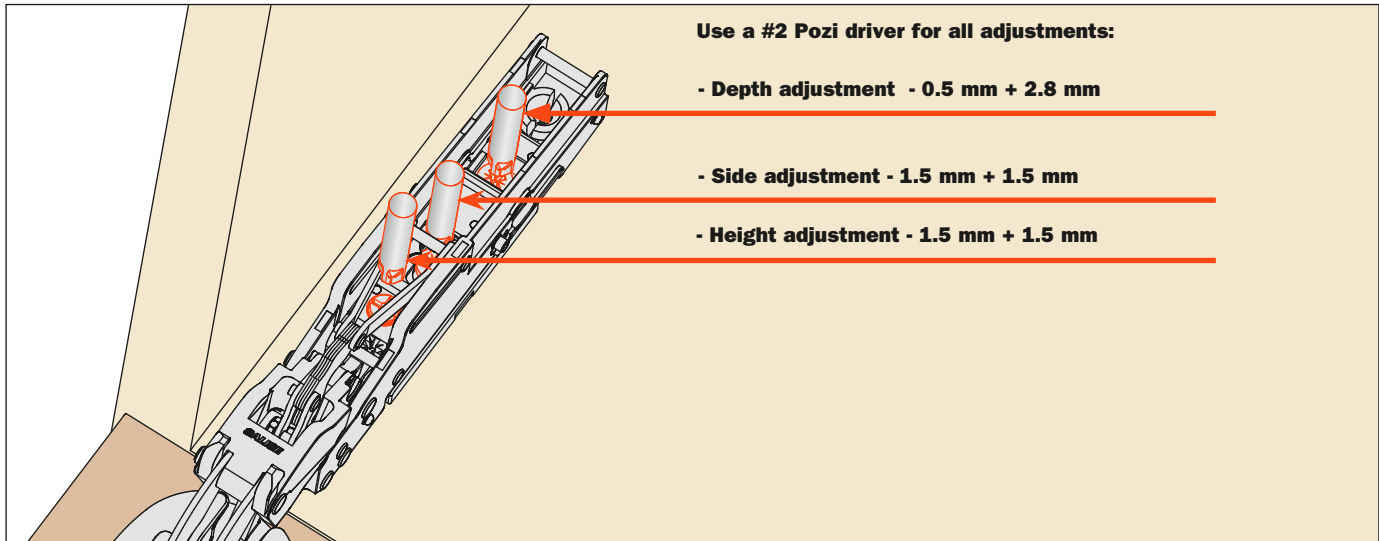
	T=	16	17	18	19	20	21	22	23	24	25	26	27	28
K=4.5	A=	1.3	2.1	3	3.9	4.8	5.7	6.6	7.5	8.5	9.4	10.4	11.3	12.3

PACTA - Assembly instructions**Attaching the mounting plate to the cabinet****Attaching the hinge to the door****Attaching the door to the cabinet**

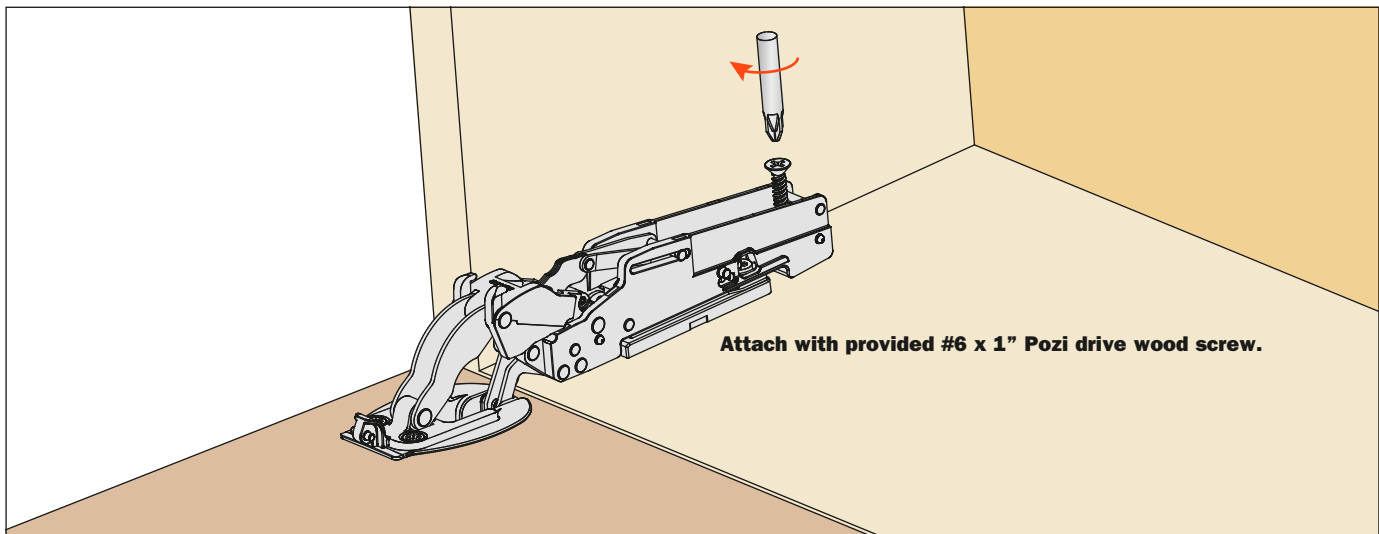
Snap the hinge arm onto the mounting plates. This operation is tool free.



Adjustments

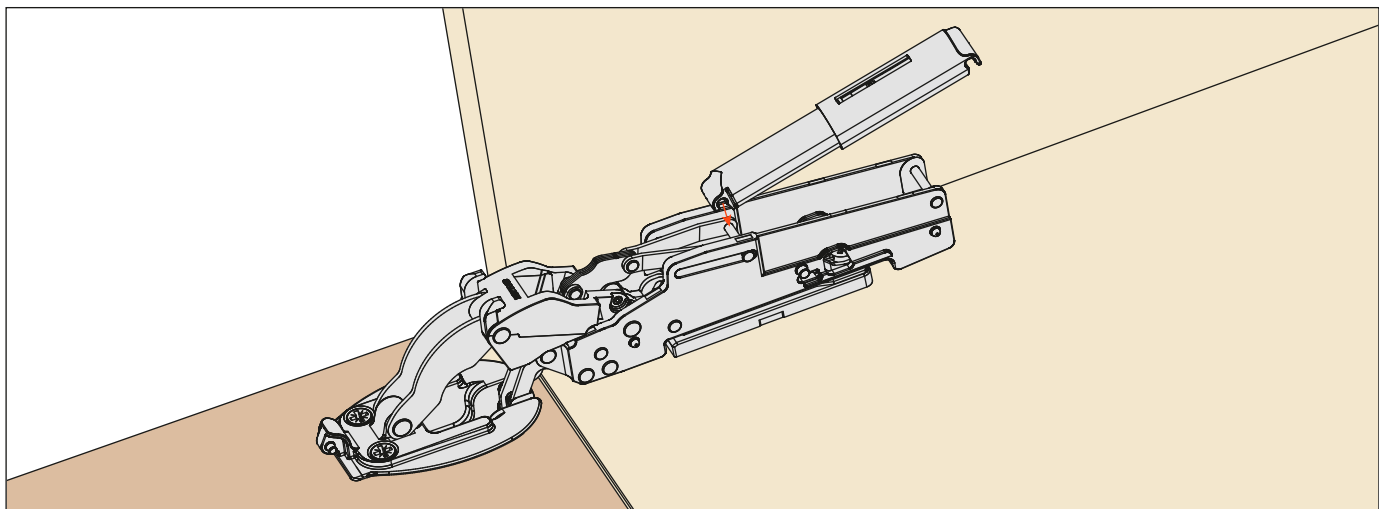


Attach the security wood screw



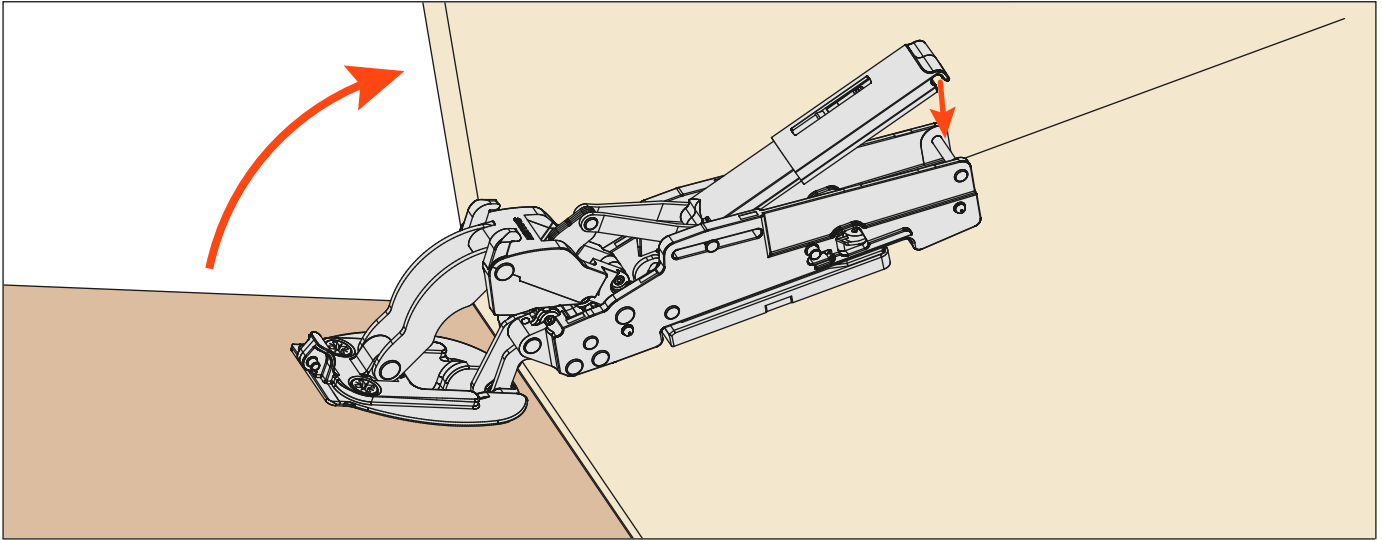
Installing the Smove

Snap the narrow end of the Smove into position. This operation is tool-free.



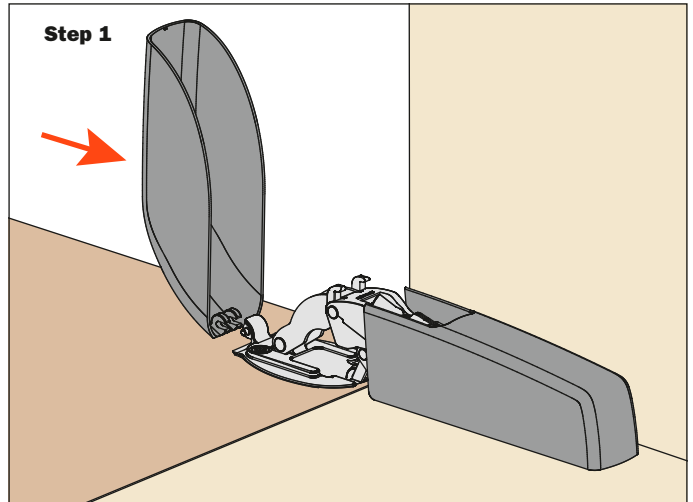
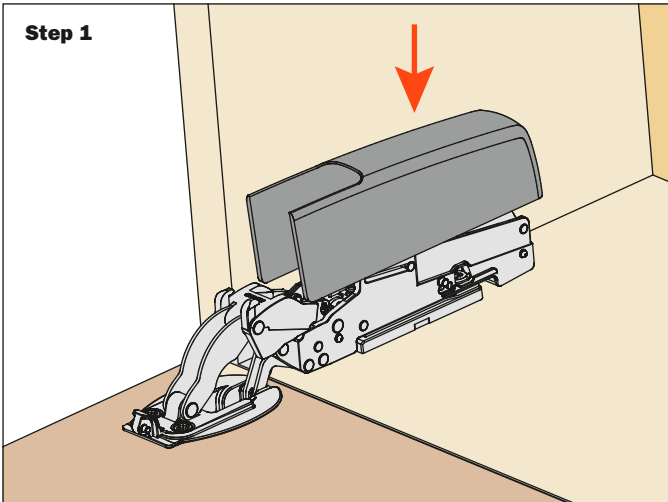
PACTA - Assembly instructions

Lift the door slightly and snap the other end of the Smove into position. This operation is tool free.

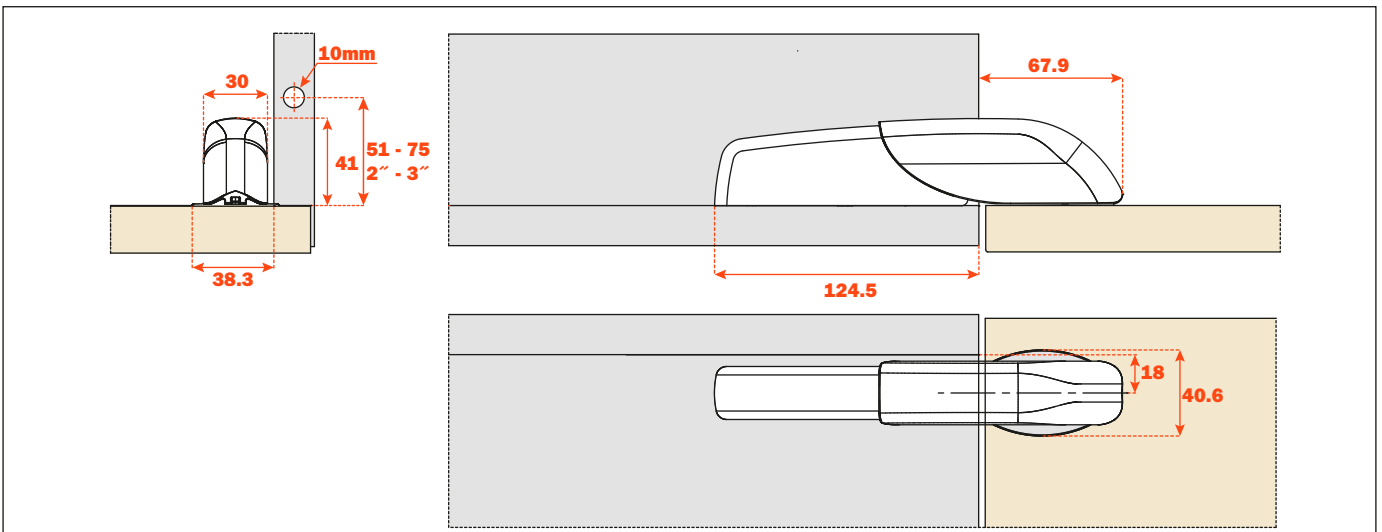


Installing the cover.

First install the cover to the hinge arm (step 1), then the cover to the cup (step 2) then rotate downwards.



Dimensions



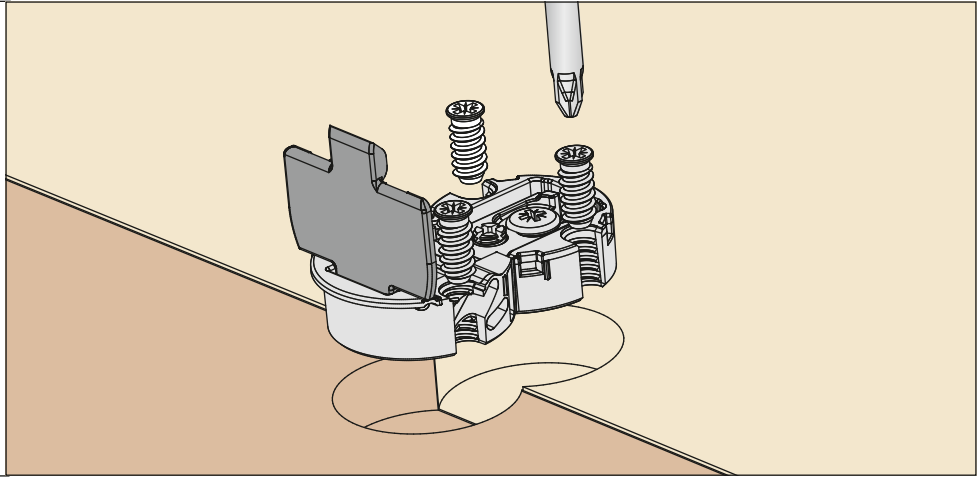
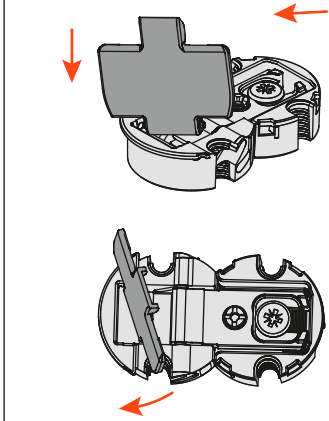
Assembly instructions for the center hinge

Installation of the center hinge.

Recommended to install a hinge for cabinets 30"/762 mm or wider.

Install the cover cap onto the hinge according to the drawing (step 1) and then screw the hinge to the cabinet (step 2).

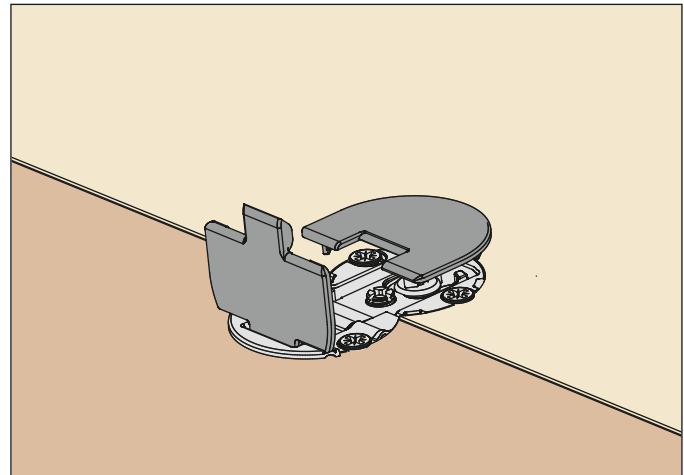
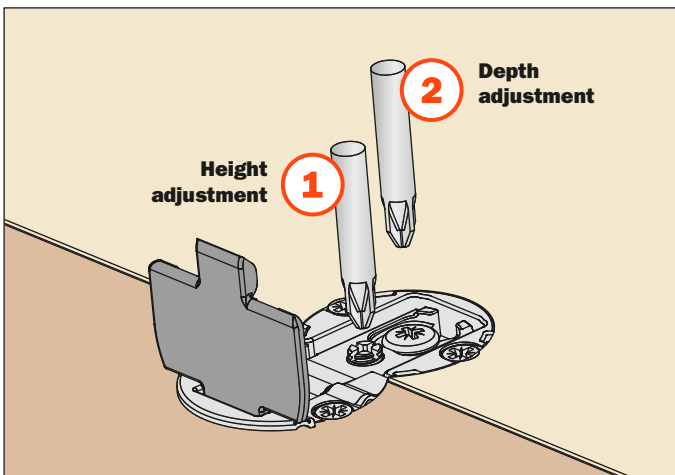
DOOR side - Step 1



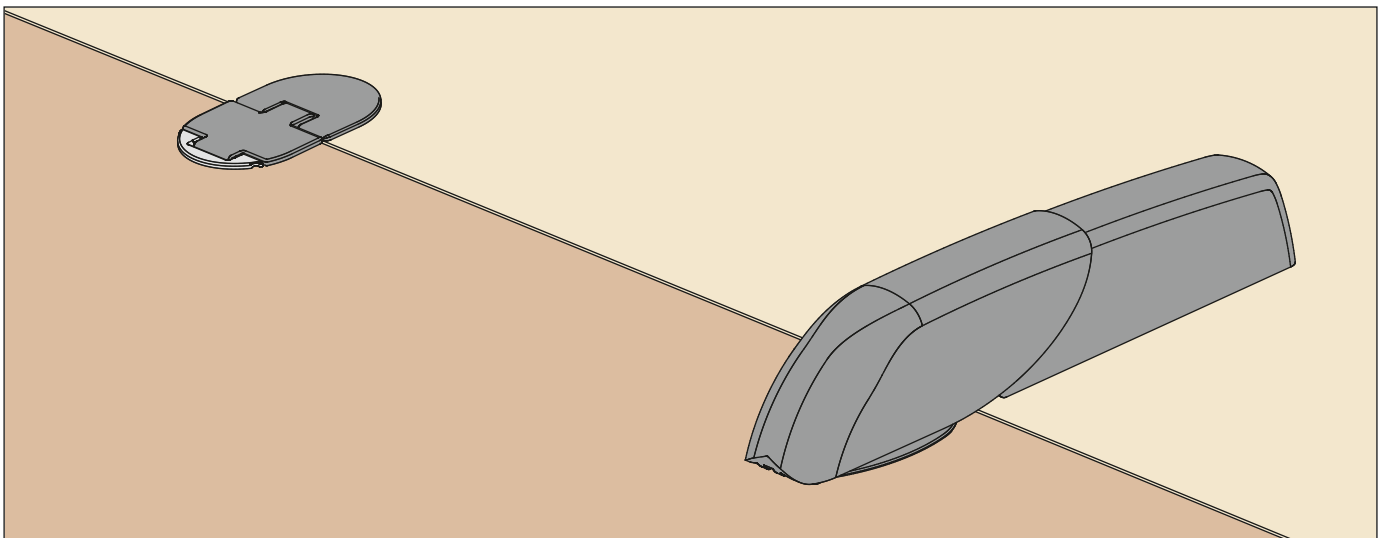
After attaching the hinge, make any adjustments required.

Use a #2 Pozi driver for all adjustments.

Install the cover cap onto the hinge on the cabinet side.



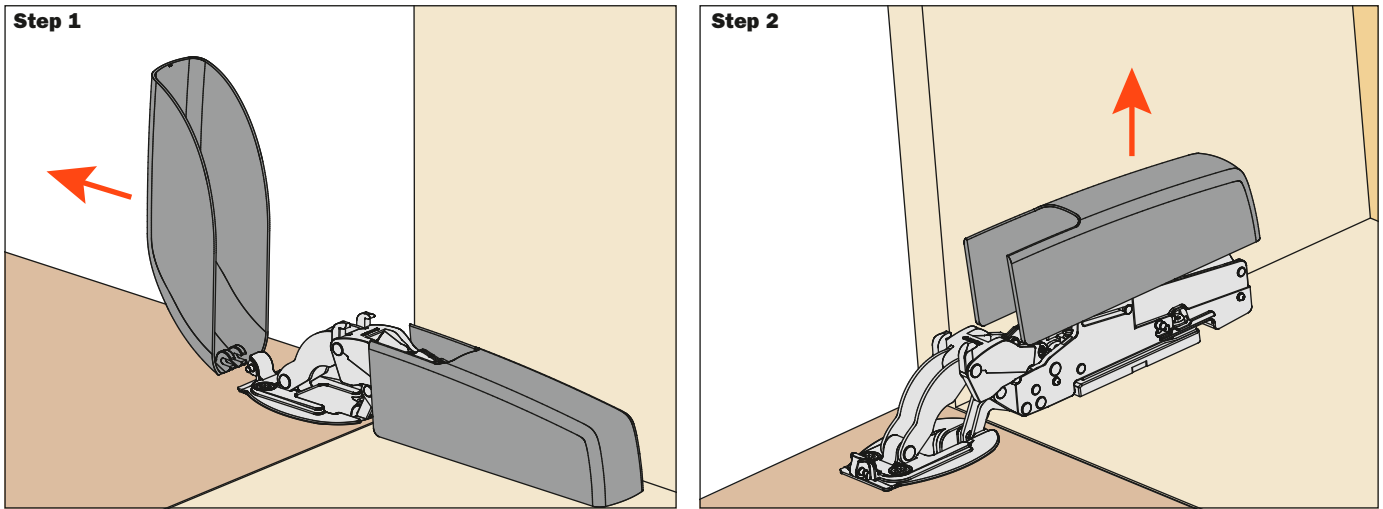
Overall view of the mounted system.



PACTA - Disassembly instructions

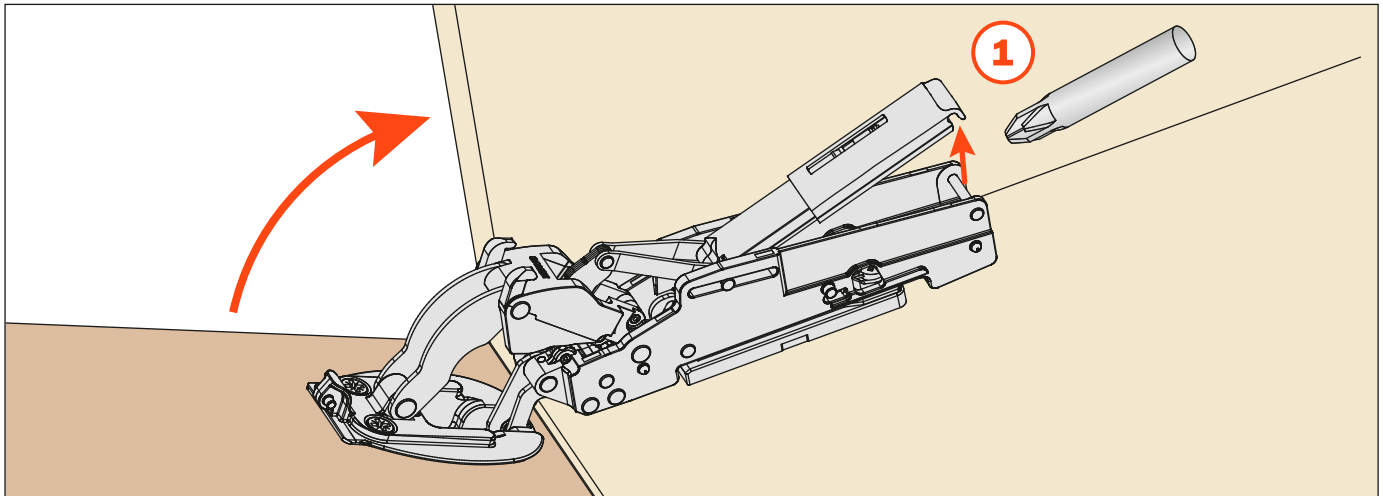
Removal of the cover

First remove the cover from the hinge cup (step 1), then the cover from the arm (step 2).

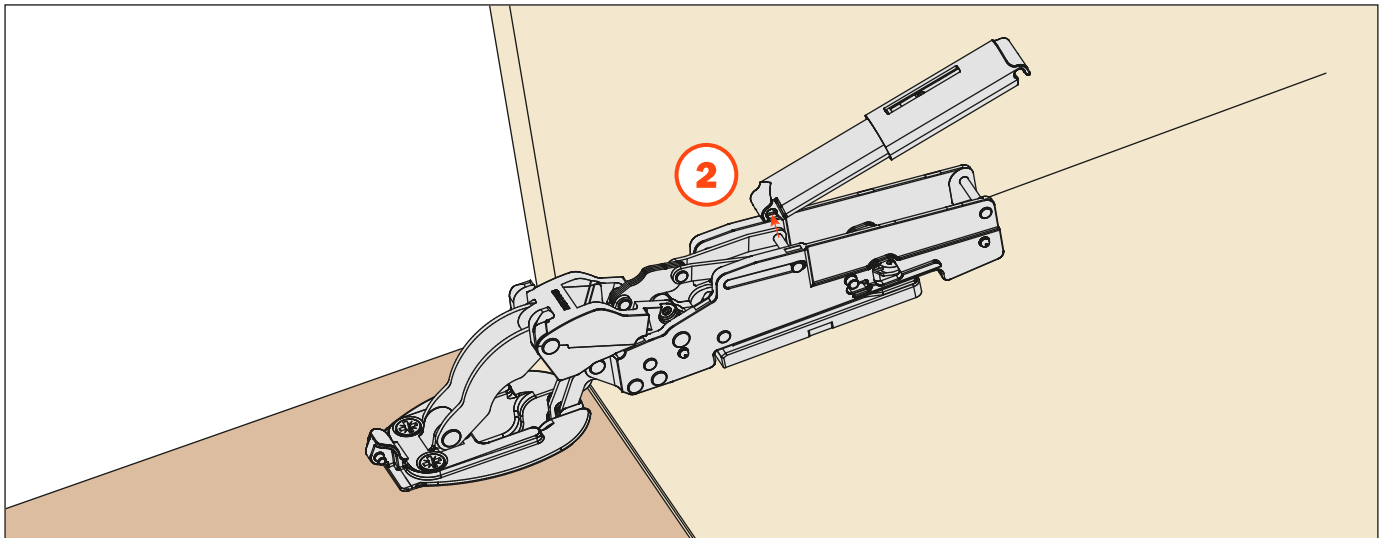


Removing the Smove from the hinge arm

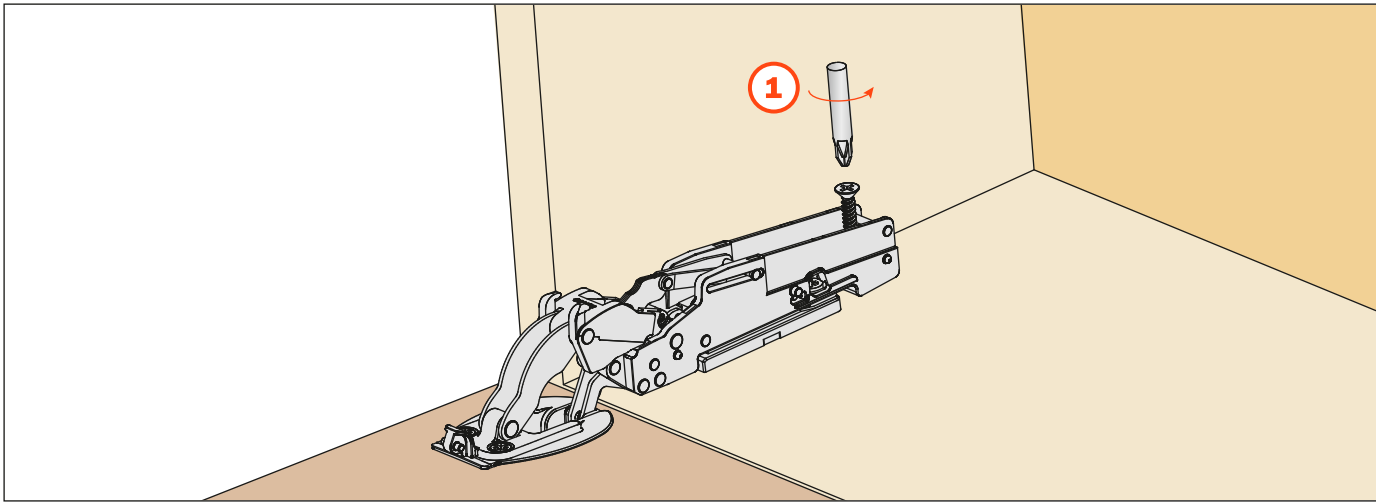
Lift the door slightly and un-snap the back of the Smove using a screwdriver.



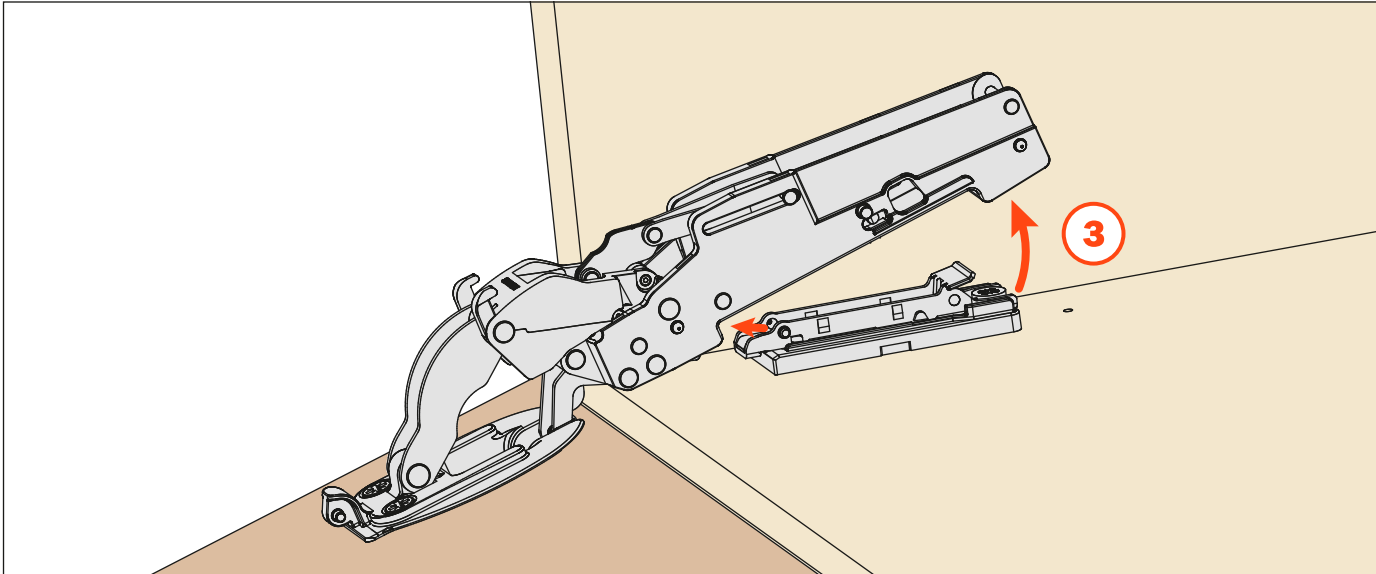
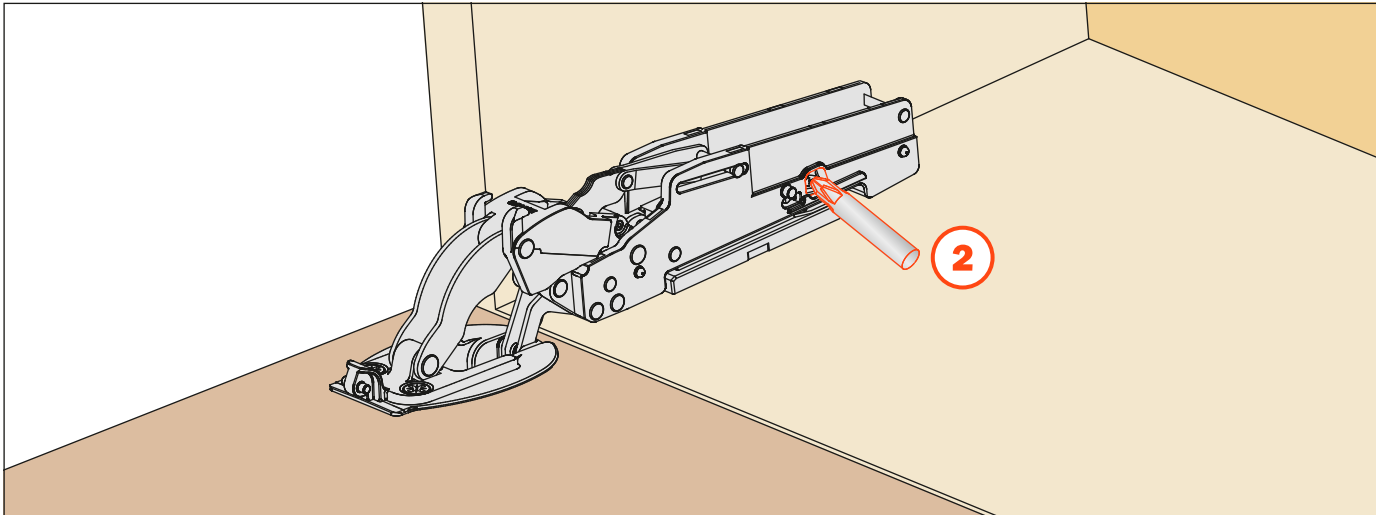
Un-snap the other end of the Smove.



Remove the security wood screw



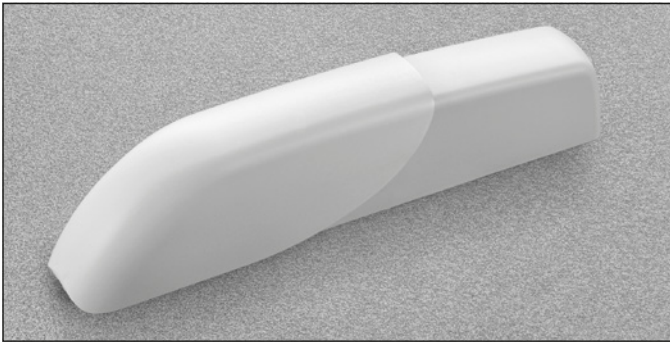
Un-snap the hinge from the mounting plate with a screwdriver



PACTA - Cover finishes

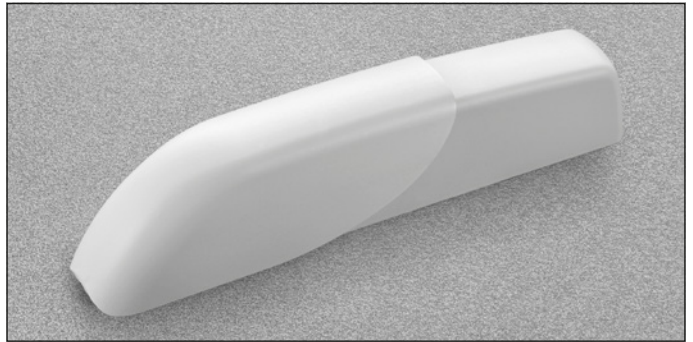
SRXB78A1XXXX_

White



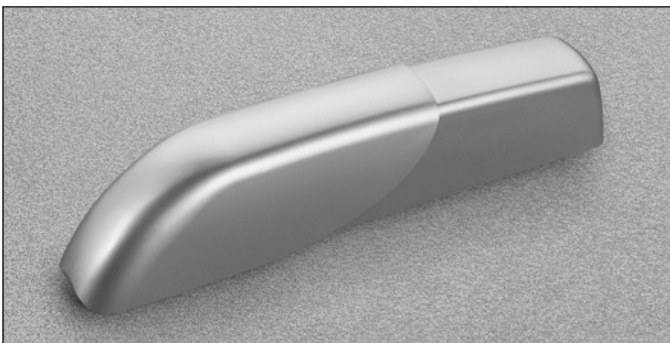
SRXB78AQXXXX_

Glossy white



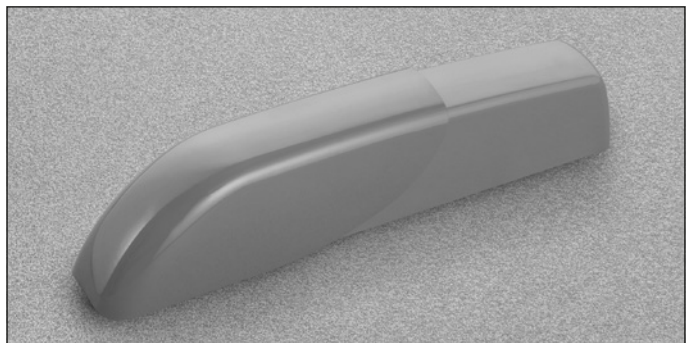
SRXB78AIXXXX_

Stainless steel (Special order, non stock)



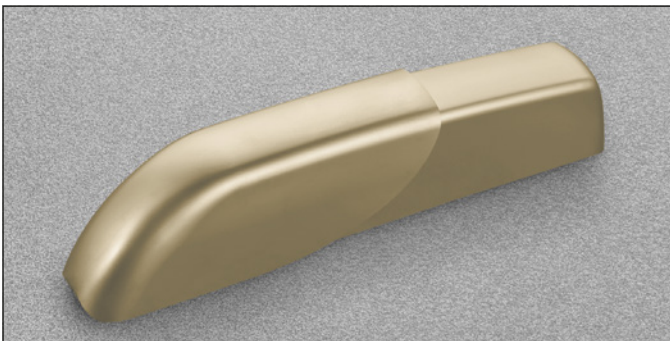
SRXB78AMXXXX_

Gray



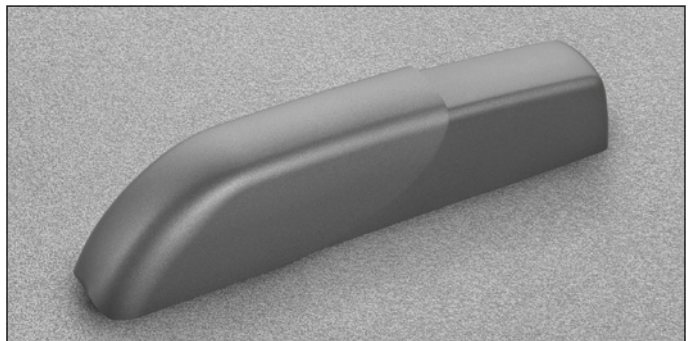
SRXB78ACXXXX_

Champagne (Special order, non stock)



SRXB78A0XXXX_

Satin metal black



SRXB78ANXXXX_

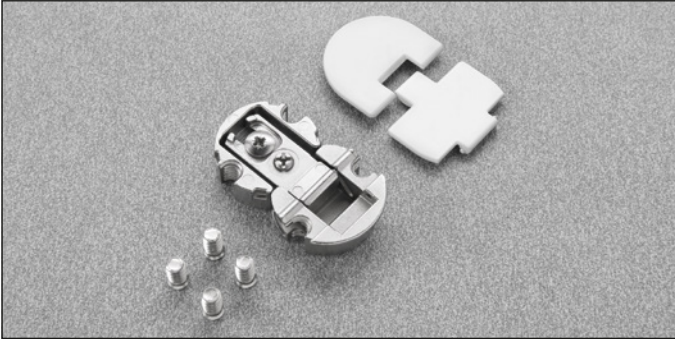
Glossy metal black (Special order, non stock)



Center hinge cover finishes

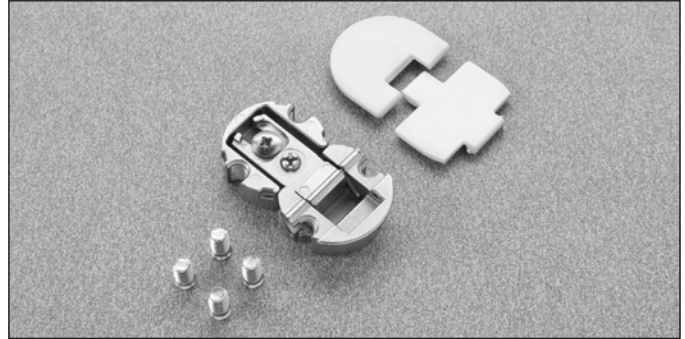
FRCK59RUXXX1

White



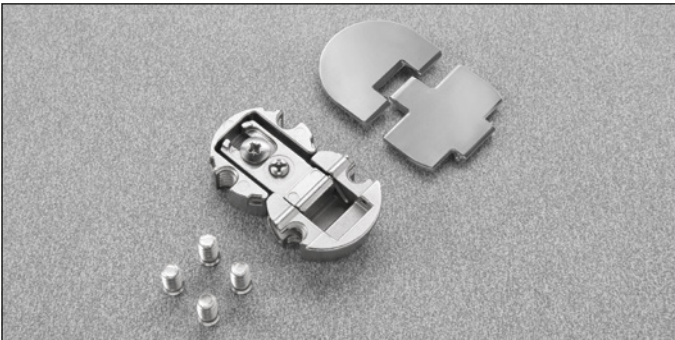
FRCK59RUXXXQ

Glossy white



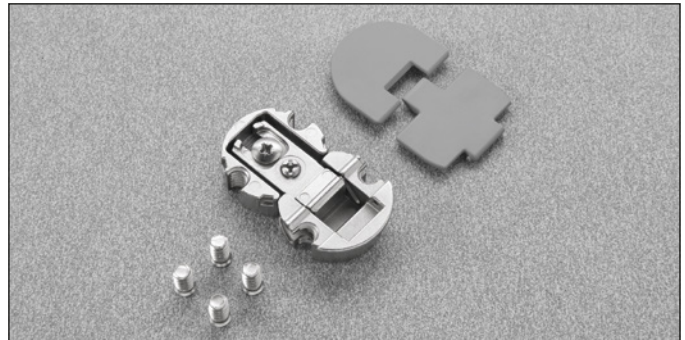
FRCK59RUXXXI

Stainless steel (Special order, non stock)



FRCK59RUXXXM

Gray



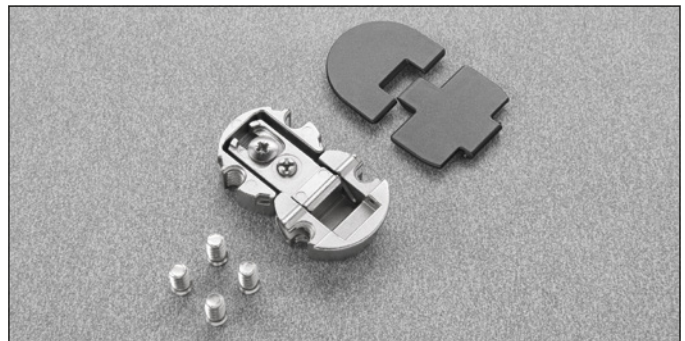
FRCK59RUXXXC

Champagne (Special order, non stock)



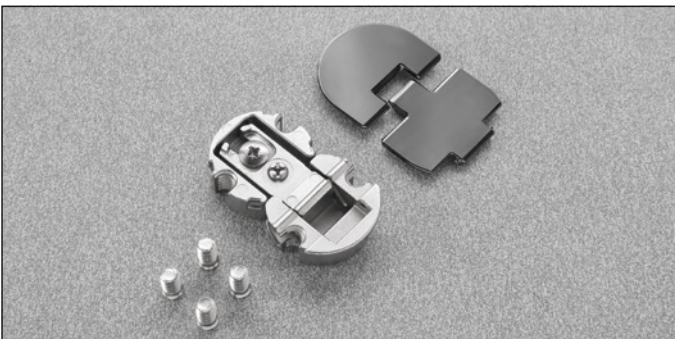
FRCK59RUXXX0

Satin metal black

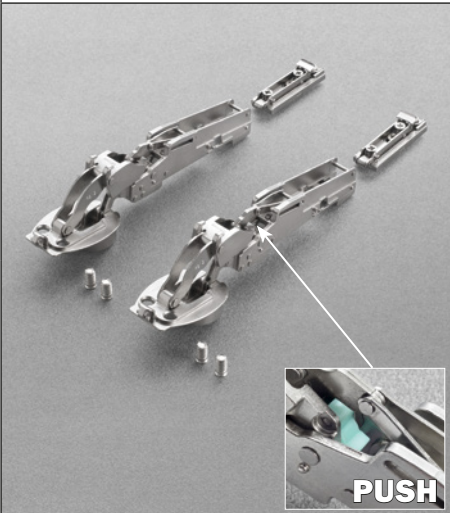



FRCK59RUXXXN

Glossy metal black (Special order, non stock)

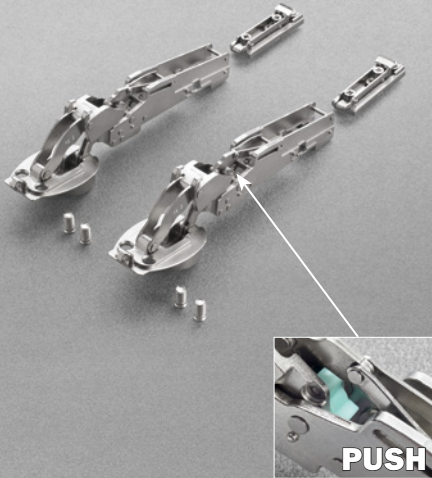


PACTA - Packaging

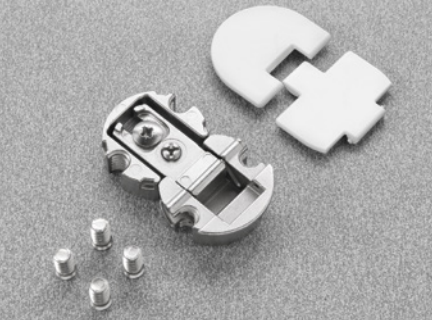
INDUSTRIAL PACKAGING Special order, non stock	PART NUMBER	PACKAGING
	<p align="center">SELF CLOSE FRBKINXXSN9</p>	<p>1 carton contains:</p> <ul style="list-style-type: none"> 2 hinges • 2 mounting plates • 2 Smove • <p>Attachment screws ø5 x 13 euro screw & #6 x 1" Pozi drive wood screw.</p>
	<p align="center">PUSH OPENING FRBKINPXS9</p>	

SMOVE INDUSTRIAL PACKAGING Special order, non stock	PART NUMBER	PACKAGING
	<p align="center">DRB_XXYXI</p> <p align="center">↑</p> <p align="center">SMOVE SOFT OPENING STRENGTH</p>	<p>1 carton contains: 18 pcs.</p>

COVER INDUSTRIAL PACKAGING Special order, non stock	PART NUMBER	PACKAGING
	<p align="center">SRXB78A_XXXXI</p> <p align="center">↑</p> <p align="center">COVER FINISH</p>	<p>1 carton contains: 18 covers</p>

KIT PACKAGING	PART NUMBER	PACKAGING
	<p>SELF CLOSE FRBKFEX_SN9 <hr/> SMOVE SOFT OPENING STRENGTH</p>	<p>1 carton contains:</p> <ul style="list-style-type: none"> 2 hinges • 2 mounting plates • 2 Smove • <p>Attachment screws ø5 x 13 euro screw & #6 x 1" Pozi drive wood screw.</p>
	<p>PUSH OPENING FRBKFEF_SN9 <hr/> SMOVE SOFT OPENING STRENGTH</p>	

COVER KIT PACKAGING	PART NUMBER	PACKAGING
	<p>SRXB78A_XXXXF <hr/> COVER FINISH</p>	<p>1 carton contains:</p> <ul style="list-style-type: none"> 2 covers

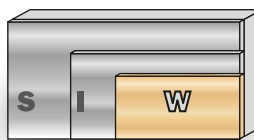
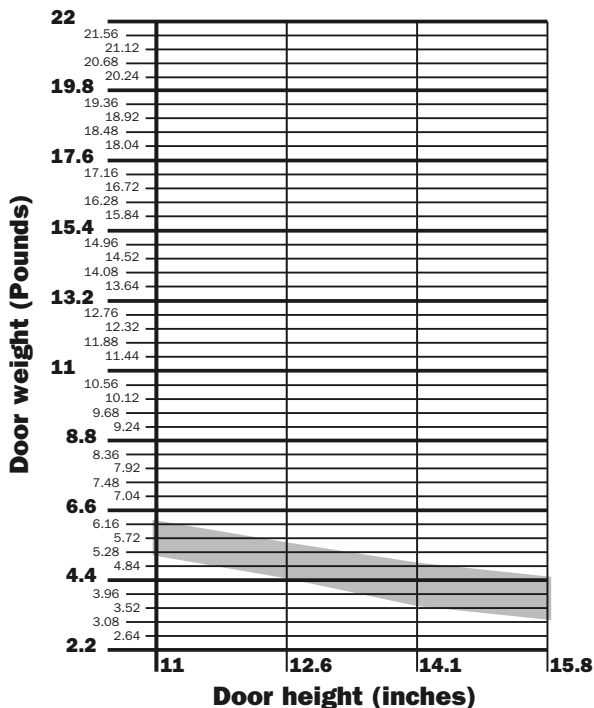
CENTER HINGE Kit Packaging	PART NUMBER	KIT PACKAGING
	<p>FRCK59RUXXX <hr/> CENTER HINGE COVER FINISH</p> <p>Suggested for cabinets 30"/762 mm or wide</p>	<p>1 carton contains:</p> <ul style="list-style-type: none"> 1 hinge 1 cover cap for door 1 cover cap for cabinet • <p>Attachment screws included ø5 x 13</p>

PACTA - Door weight / Height Tables

Use the charts to determine the correct Smove based on the door height and the door weight. The maximum door width for two Pacta with a center hinge is 48"/1200mm.

Note: Pacta can be used on doors that are larger or heavier by adding additional Pacta and center hinges to the cabinet and door. For all applications requiring more than two Pacta, this must be checked by Salice's technical department. Please consult with your local sales representative or contact technical service.

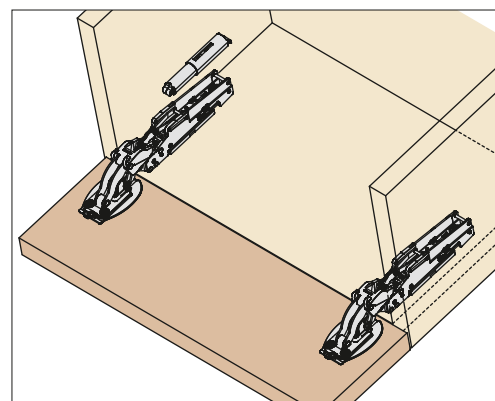
DRBWXXYXI



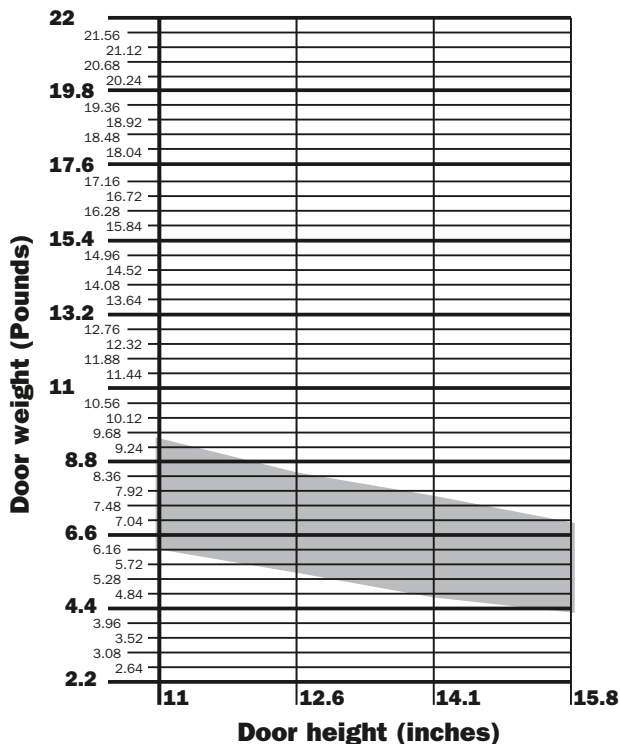
For doors made of light materials, one Smove may be sufficient.

Min door height- 11"
Max door height- 16"

Gray Smove

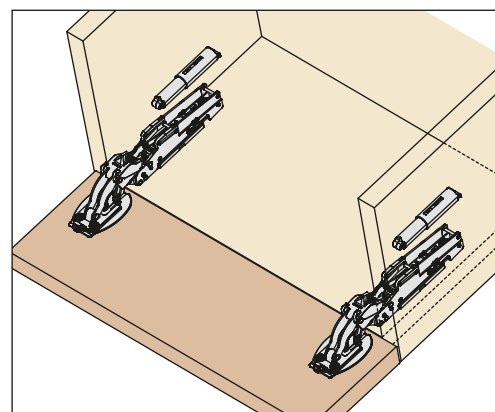


DRBWXXYXI

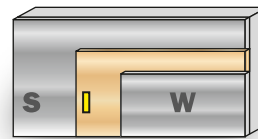
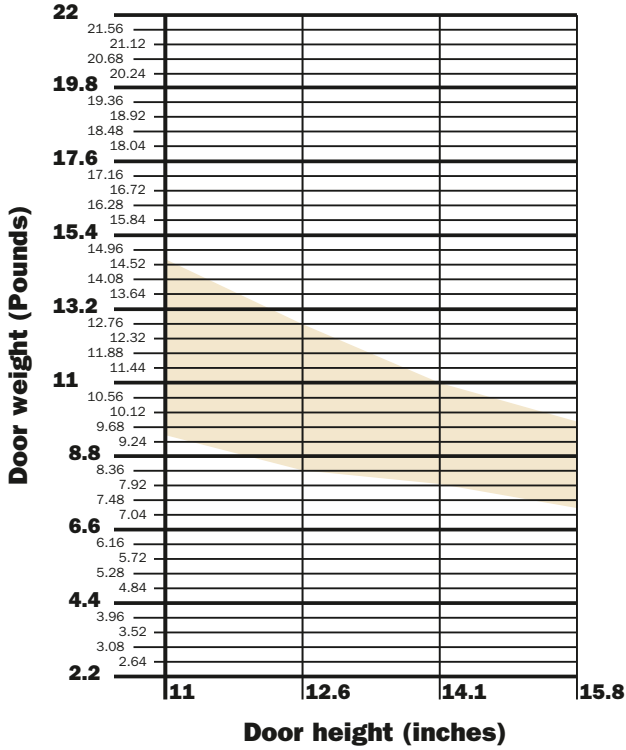


Min door height- 11"
Max door height- 16"

Gray Smove

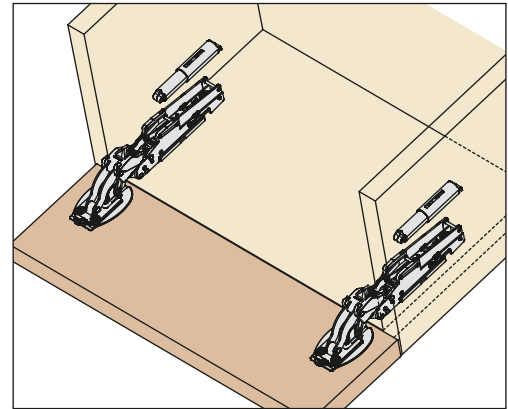
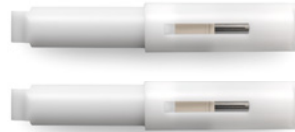


DRBIXXYXI

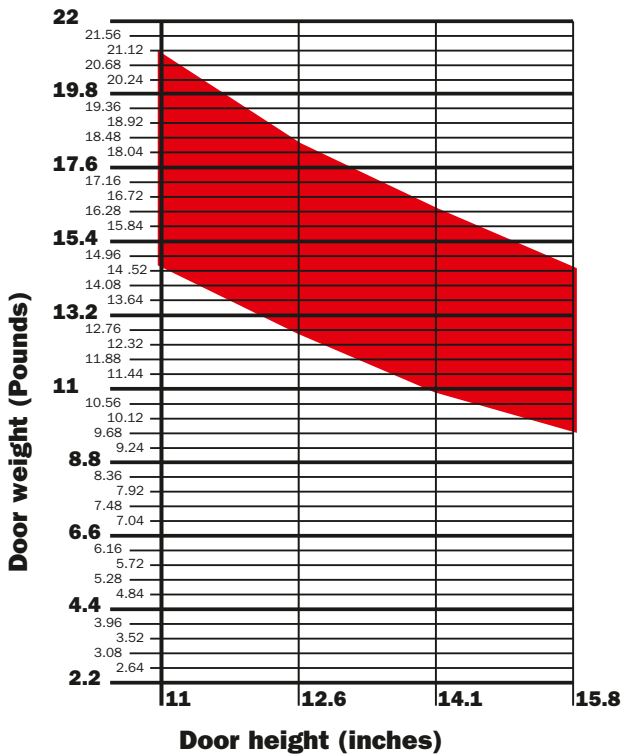


Min door height- 11"
Max door height- 16"

Beige Smove

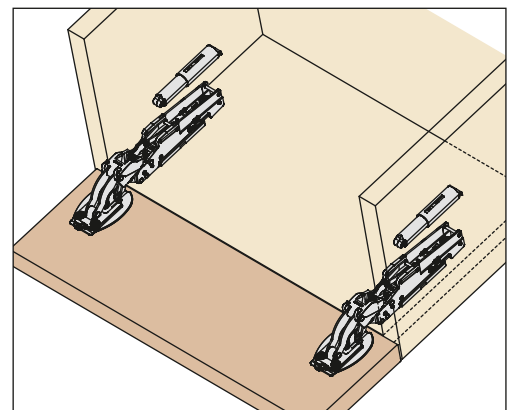
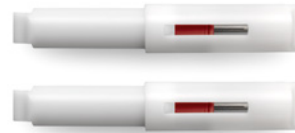


DRBSXXYXI



Min door height- 11"
Max door height- 16"

Red Smove





Magnetic Push and Smove

Magnetic Push - Release device and retaining catches

DPMSNB - beige



DPMSNG - gray



Release device.
ø 10 mm, 40 mm length.

Packing

Box 250 pieces • Carton 1.500 pieces

DPASNB - beige



DPASNG - gray



Magnetic device to be used to increase the magnetic holding strength. It must always be used together with the DPM. The suggested position of the DPM is the point of pressure on the door. The DPA can be positioned at any point along the opening edge of the door. ø 10 mm, 40 mm length.

Packing

Box 250 pieces • Carton 1.500 pieces

DP39XXG



Adjustable magnetic catch.
Inserted into the door.
ø 15 mm

Packing • Box 250 pieces

DP28SN9



Retaining catch to be inserted with pin.
ø 11.5 mm surface.

Packing • Box 250 pieces

DP38XX91



Retaining catch with adhesive.
20x14 mm surface.
For use with aluminum doors or smooth surfaces.

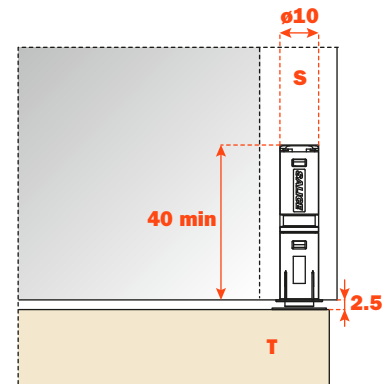
Packing • Box 250 pieces

Release device application

Release / Magnetic device to be inserted

Drill a hole \varnothing 10 mm and min. 40 mm depth in the top, the side or the bottom panel of the cabinet.

Insert the release device into the hole.

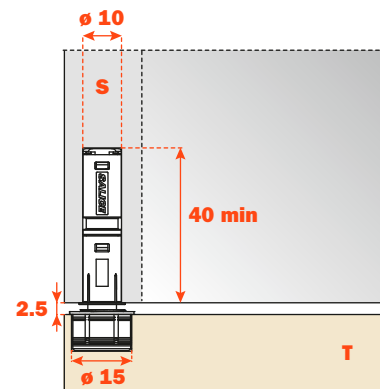


Adjustable magnetic catch

The adjustable catch DP39 is itself magnetic and together with the magnetism of the release device DPM considerably increases the holding strength (30%) of the door against the cabinet side, thus avoiding accidental opening.

For the installation it is necessary to drill a hole \varnothing 15 mm and 11 mm depth in the door.

Depth adjustment from +2.5mm / - 0.5mm



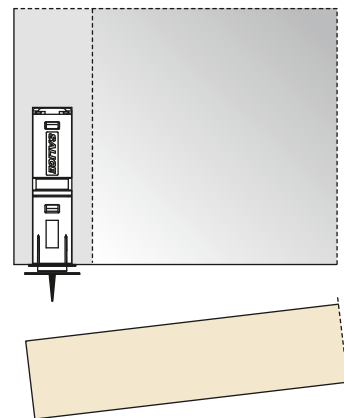
Retaining catch to be inserted

Apply the retaining catch to the magnetic release device.

Close the door.

The point of the retaining catch will show where to insert it.

Reopen the door and press the retaining catch.



Retaining catch with adhesive strip

Apply the retaining catch to the magnetic release device. Remove the protective strip from the adhesive. Close the door and the retaining catch is positioned on the door.

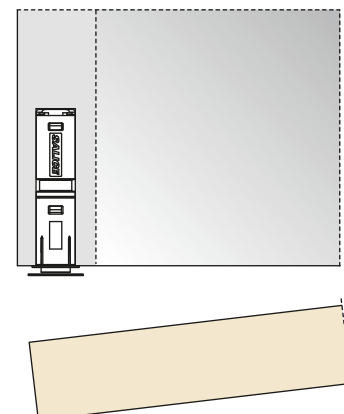
Reopen the door and apply a firm pressure to the retaining catch to ensure a correct installation.

ATTENTION:

For a correct application and to ensure optimal endurance, we suggest these guidelines are followed:

- 1 - clean and degrease the door surface with alcohol where the retaining catch is to be installed;
- 2 - remove the protective strip from the adhesive;
- 3 - place the retaining catch in position, in a place that is at room temperature $\geq 10^\circ$ (50°F) and apply a firm pressure for 10-15 seconds.

After few seconds from the installation the retaining catch is suitable for the use.
After 24h the max. hold is attained.

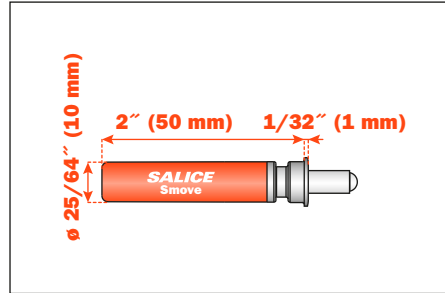


Smove

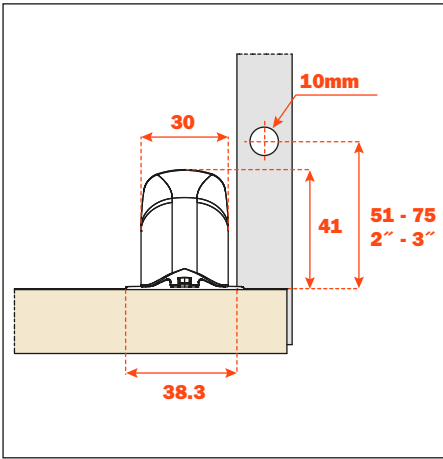
D007SN_



Smove



Packing · Box 250 pieces



Smove D007SNG or D007SNB can be added to the cabinet for a soft close feature. For best function, install the Smove 2 - 3 inches from the bottom.

D2A7XCXCP

Pozi driver



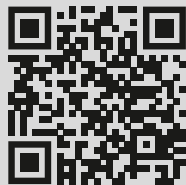
Packing · Box 250 pieces

SALICE AMERICA INC.

2123 CROWN CENTRE DRIVE
CHARLOTTE NC. 28227
TEL. 704 8417810
FAX. 704 8417808
info.salice@saliceamerica.com
www.saliceamerica.com

SALICE CANADA INC.

3500 RIDGEWAY DRIVE, UNIT#1
MISSISSAUGA, ONTARIO, L5L 0B4
TEL. 905 8208787
FAX. 905 8207226
info.salice@salicecanada.com
www.salicecanada.com



Digital contents:

- **Technical pamphlet in Pdf format**
- **Video**

- DOCASAA16CDN - Ed 05 - 10/2021

proudly distributed by



1-855-650-3265 | www.rugbyabp.com