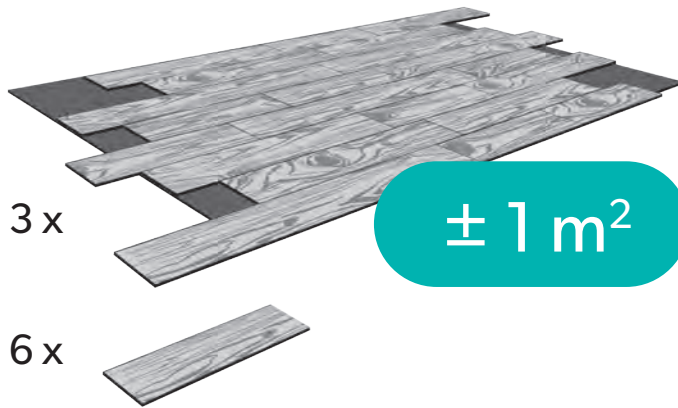


TILES

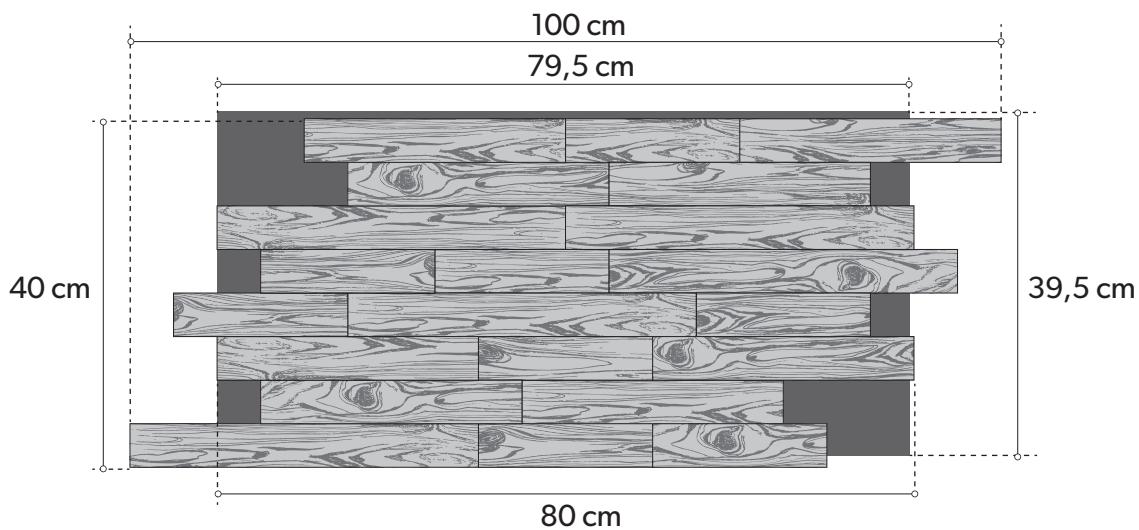
INSTALLATION INSTRUCTIONS

ASTRATA
wood for walls

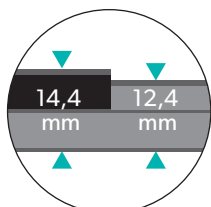
CONTENTS OF A BOX



DIMENSIONS OF A PANEL



THICKNESS



Industriezone Grensland
Lageweg 33
8930 Menen - Belgium
+32 56 52 88 00
info@decospan.com

www.astratadecospan.com

A PRODUCT OF **DECOSPAN**.

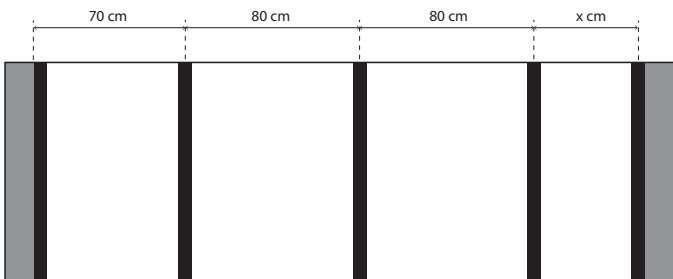
INSTALLATION INSTRUCTIONS

REQUIRED TOOLS



SUPPORTING WALL

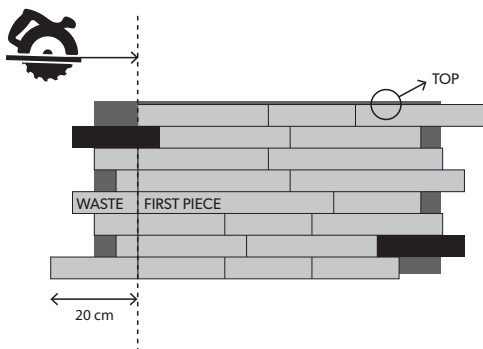
- MDF or plywood:
No preparation required, panels can be fixed directly onto the wall.
- No wall or brick / concrete / other:
Work with a wooden frame or aluminium studs as shown below:



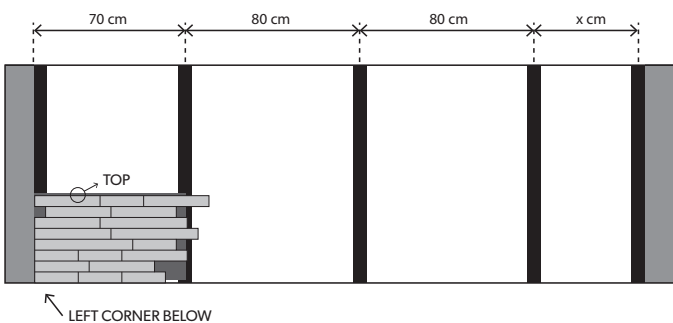
Always put a support in the corners. The distance from the left corner to the center of the next support is 70 cm. From then on, put supports every 80 cm (center to center)

FITTING PANELS

THE FIRST PANEL: Cut the first piece where the free space of the top row ends

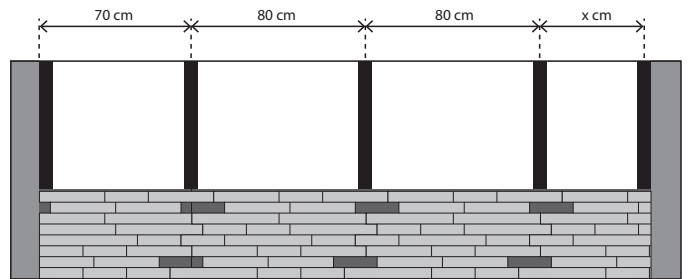
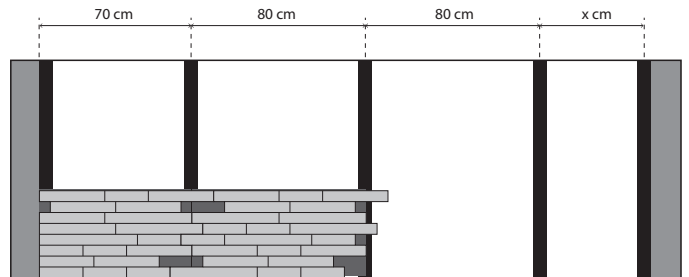


Pay attention !
The wall and the floor must be "level", i.e. in a perfect 90° angle. If not, modify and create the correct conditions. This is very important for the further installation. **Always start at the left corner below.**



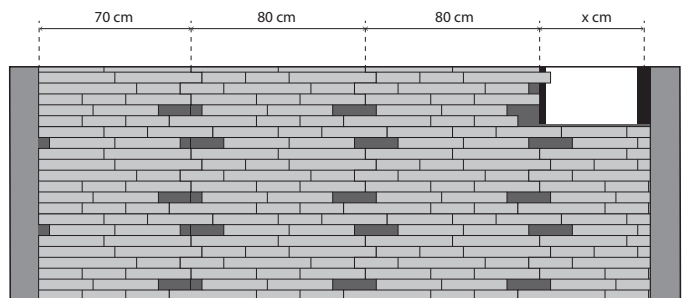
THE FIRST ROW

The 2nd piece should gently be pushed into the 1st piece. Wait to fix the first panel until the 2nd and 3rd are in place. Fix the pieces with a nail gun or screw gun in the free spaces (the black parts) of the panel. Continue working until the entire row is installed.



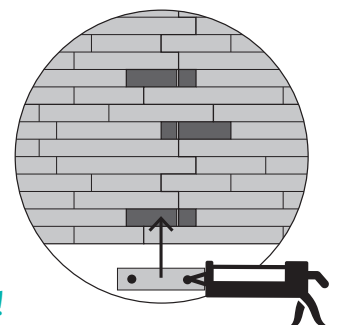
THE NEXT ROWS

The next row fits into the top of the previous row. Cut the first piece accordingly. Shorten the pieces of the final row to fit under the ceiling.



COMPLETE THE WALL

Finally, the blank spots can be filled with the spare blocks. Simply glue them using a dibond and silicone gun. Not any finishing products are applied onto the panels. Keep in mind that such an unprotected surface is prone to stains and damages.



ENJOY YOUR WALL !