

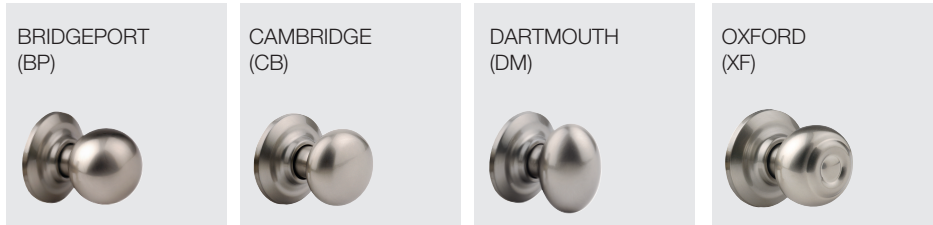


YH Collection™
Grade 2 Residential
Light Commercial



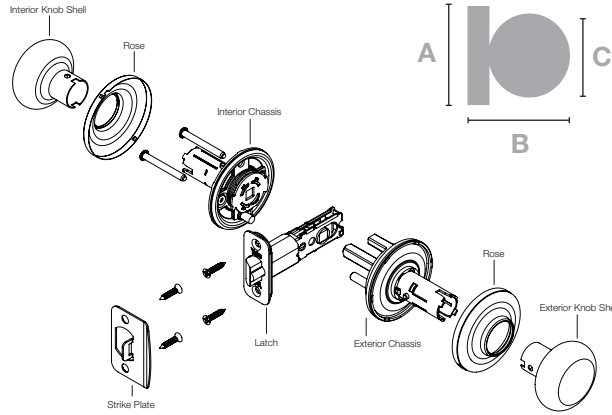
The world's favorite lock since 1840

Knob selection



Knob/Lever Specifications

| | |
|------------------------|--|
| Door Specs | 2 1/8" Face Bore 1" Edge Bore 2 3/8" or 2 3/4" Backset |
| | Box Pack: Latch Face 1" x 2 1/4" RC (Round Corner) SC (Square Corner, optional) |
| Latch | Box Pack: Adjustable 2 3/8" to 2 3/4" RC RC (Round Corner) |
| Door Thickness | 1 3/8" to 1 3/4" |
| Cylinder | 6 Pin Cylinder (KW-1 Compatible) |
| Keying | Box Pack: KA3 (Keyed Alike) |
| Faceplate | 1" W x 2 1/4" H RC (Round Corner) |
| Strike | Box Pack: 2 1/4" Full Lip RC (Round Corner) |
| Certified ANSI/BHMA | A156.2 Series 4000 Grade 2 |



FUNCTIONS

- KNOB**
DUMMY 80
PASSAGE 10
ONE SIDED w/Plate 60
PRIVACY 20
BATH* 26
ENTRY 70
- CLASSROOM** 75
STOREROOM 78
- *Bath: Privacy with US26 interior finish

| DIMENSIONS | A | B | C |
|-------------------|---------|---------|---------|
| BRIDGEPORT | 2 9/16" | 2 9/16" | 2" |
| CAMBRIDGE | 2 9/16" | 2 1/4" | 2 5/64" |
| DARTMOUTH | 2 9/16" | 2 3/8" | 2 1/2" |
| OXFORD | 2 9/16" | 2 1/4" | 2 1/8" |

| QuickShip™ | US3 | US5 | US10BP | US10BE | US15 | US15A | US26 | US26D | GM | BSP |
|-------------------|-----|-----|--------|--------|------|-------|------|-------|----|-----|
| BRIDGEPORT | • | | | | • | | | | | |
| CAMBRIDGE | • | • | • | | • | • | • | • | • | • |
| DARTMOUTH | • | | • | | • | | | | | |
| OXFORD | • | | • | | • | | | | | |

Does your lock have these features?

PUSH BUTTON LOCKING
panic-free egress

PRE-INSTALLED SCREWS
aligned for ease of installation

FOUR-WOUND SPRING
longer life cycles/
eliminates lever sag

SHROUD
anti-pry
security

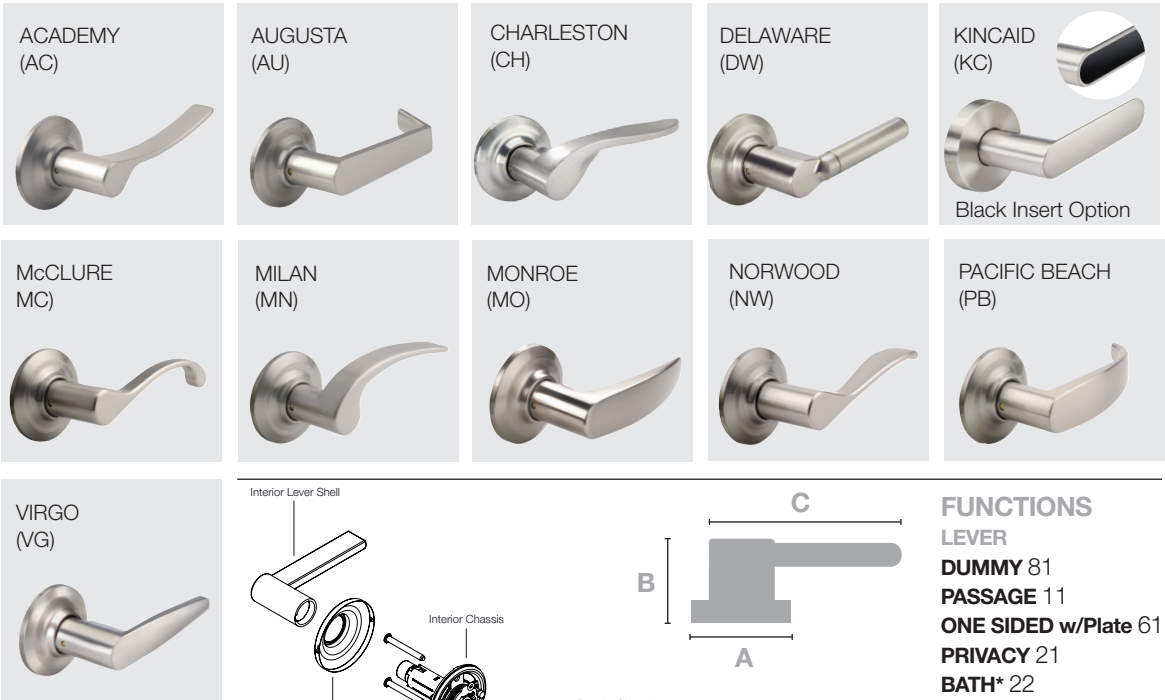
CONCEALED SCREWS
clean design

NON-HANDED LEVERS
eliminate handing issues

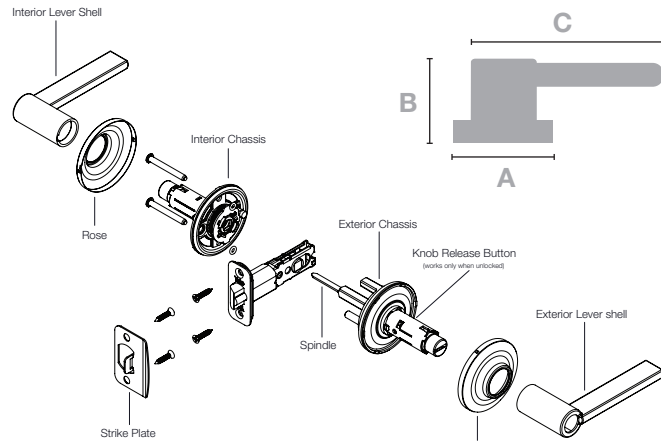
SOLID STEEL SPINDLE
greater durability



Lever selection



| DIMENSIONS | A | B | C |
|----------------------|---------|---------|----------|
| ACADEMY | 2 9/16" | 2 7/16" | 4 19/64" |
| AUGUSTA | 2 9/16" | 2 1/2" | 4 3/4" |
| CHARLESTON | 2 9/16" | 2 1/2" | 5 3/8" |
| DELAWARE | 2 9/16" | 2 3/4" | 4 5/8" |
| KINCAID | 2 9/16" | 2 7/16" | 4 1/2" |
| MARINA | 2 9/16" | 3 5/16" | 4 7/8" |
| McCLURE | 2 9/16" | 2 7/16" | 4 3/16" |
| MILAN | 2 9/16" | 2 7/16" | 4 1/16" |
| MONROE | 2 9/16" | 2 7/16" | 4 5/8" |
| NORWOOD | 2 9/16" | 2 1/2" | 4 7/32" |
| PACIFIC BEACH | 2 9/16" | 2 7/16" | 4 3/4" |
| VALDOSTA | 2 9/16" | 2 1/2" | 4 5/8" |
| VIRGO | 2 9/16" | 2 9/16" | 4 1/2" |



- FUNCTIONS**
- LEVER
 - DUMMY 81
 - PASSAGE 11
 - ONE SIDED w/Plate 61
 - PRIVACY 21
 - BATH* 22
 - ENTRY Lever/Lever 71
 - ENTRY T-turn 73
 - ENTRY SFIC** 74LC
 - CLASSROOM 76
 - STOREROOM 79

*Bath: Privacy with US26 interior finish
 **Available in Augusta, Monroe, Pacific Beach

| QuickShip™ | US3 | US5 | US10BP | US10BE | US15 | US15A | US26 | US26D | GM | BSP |
|----------------------|-----|-----|--------|--------|------|-------|------|-------|----|-----|
| ACADEMY | | • | | | • | | | | | • |
| AUGUSTA | • | | • | | • | | | | | • |
| CHARLESTON | | | | • | • | | | | | • |
| DELAWARE | | | | | | | | | | |
| KINCAID | | | • | | • | | | | | |
| KINCAID/BLK | • | | • | | • | | | | | |
| MARINA | | | • | | • | | • | | | |
| McCLURE | • | | • | | • | | | | | |
| MILAN | • | | | | • | | • | | | |
| MONROE | | | | | | | | | | • |
| NORWOOD | • | • | • | | • | • | • | • | • | • |
| PACIFIC BEACH | • | | | | • | | | | | • |
| VALDOSTA | | | | | • | | • | • | | • |
| VIRGO | | | | | | | | | | |

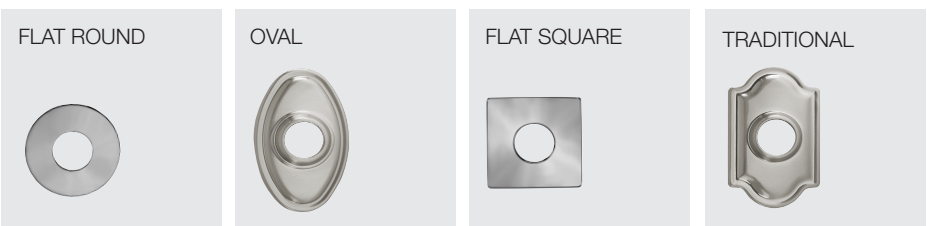
YH Collection™

Superior light commercial quality with a lifetime limited finish and mechanical warranty.

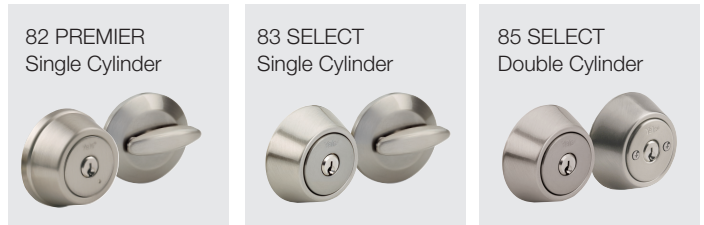
- Easy install mounting system and square spindles simplify knob and lever installation
- Keyway: KW-1; SC-1, PARA optional
- Non-handed levers eliminate handing issues
- Solid brass key cylinder and housing
- Removable levers/knobs and rosettes allow for easy scratch-free installation
- Premier series deadbolts are face removable for easy access to the deadbolt cylinders to make quick work of rekeying without removing the entire deadbolt
- Heavy-duty shroud adds a security level of anti-pry robustness

Knob | Lever rosettes

Select an upgrade for any knob or lever styles in Polished Brass, Oil Rubbed Bronze Permanent, Satin Nickel, or Polished Chrome.

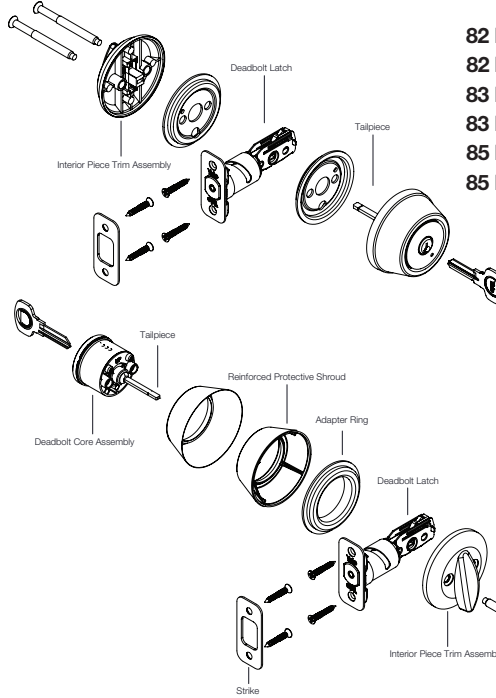


Deadbolt selection

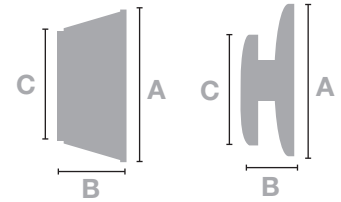


Deadbolt Specifications

| | |
|---|--|
| Door Specs | 2 1/8" Face Bore 1" Edge Bore 2 3/8" or 2 3/4" Backset |
| Latch | Box Pack: Latch Face 1" x 2 1/4" RC (Round Corner) SC (Square Corner, optional) |
| Door Thickness | 1 3/8" to 1 3/4" 2" to 2 1/4" |
| Requires Ext. Kit 07600; 83 Select Single Cylinder Only | |
| Cylinder | 6 Pin Cylinder (KW-1 Compatible) |
| Keying | Box Pack: KA3 (Keyed Alike) |
| Faceplate | 1" W x 2 1/4" H RC (Round Corner) |
| Strike | Box Pack: 1 1/8" x 2 1/4" RC (Round Corner) |
| Certified ANSI/BHMA | A156.2 Series 4000 Grade 2 BHMA CERTIFIED |



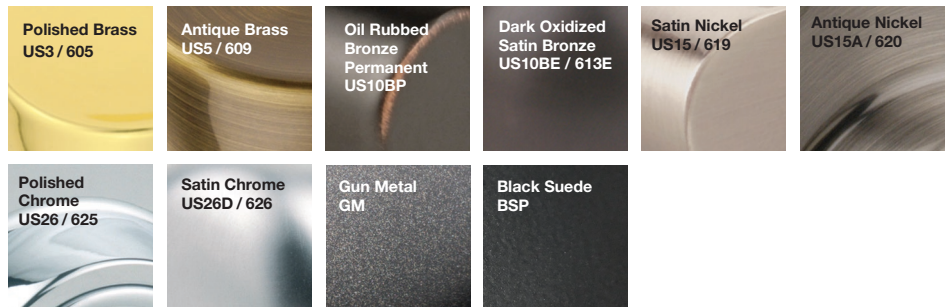
| DIMENSIONS | A | B | C |
|--------------------|----------|---------|----------|
| 82 EXTERIOR | 2 19/32" | 1 1/8" | 2" |
| 82 INTERIOR | 2 19/32" | 1 9/64" | 1 31/32" |
| 83 EXTERIOR | 2 1/2" | 1" | 1 7/8" |
| 83 EXTERIOR | 2 1/2" | 1 7/8" | 2" |
| 85 EXTERIOR | 2 1/2" | 1" | 1 7/8" |
| 85 INTERIOR | 2 1/2" | 1" | 1 7/8" |



FUNCTIONS
DEADBOLT
SINGLE CYLINDER PREMIER 82
SINGLE CYLINDER SELECT 83
DOUBLE CYLINDER SELECT 85

| QuickShip™ | US3 | US5 | US10BP | US10BE | US15 | US15A | US26 | US26D | GM | BSP |
|----------------------|-----|-----|--------|--------|------|-------|------|-------|----|-----|
| SINGLE CYL 82 | • | | • | | • | • | | • | | • |
| SINGLE CYL 83 | • | | • | | • | • | • | • | • | |
| DOUBLE CYL 85 | • | | • | | • | • | | | • | |

Yale Designer Finishes



Proudly Supplied By

