



Rockwell Security Inc.



# MULTIPOINT LOCKS & TRIM SETS

[www.rockwellsecurityinc.com](http://www.rockwellsecurityinc.com)



The Rockwell locksets are designed for discerning homeowners loaded with features they increasingly seek, like the peace of mind afforded by a multipoint locking system with options to fit their security and aesthetic preferences. We've made it easy to offer these benefits as the Rockwell locksets are compatible with standard mounting hole locations and are an exceptional value. What's more, our precision engineered mechanisms will provide years of trouble-free service.



## SECURITY AND SAFETY

### CONSIDER

- Greater customer appeal - homeowners want the security and comfort afforded by multipoint hardware.
- High strength- heavy gauge construction with maximum security options, precision engineered mechanism provides better structural performance.
- Superior corrosion protection- zinc dichromate steel finish provides unsurpassed protection and stainless steel is available for your toughest applications.
- Options to suit any style- works with wood, fiberglass, vinyl, or aluminum doors matched with complementary Rockwell trim sets.
- Simple manufacturing conversion- compatible with industry standard 5-1/2" CTC double bore hole locations. Minor changes to door preparation.
- Economical- delivering exceptional value for money.
- Easy installation, fewer service calls- easy to handle, one piece construction multipoint locks increases manufacturing efficiencies.
- Greater reliability and durability- quality built into the product to last a lifetime.



## ***Rockwell Multipoint Locking Systems***

Rockwell Multipoint locking systems provide additional security with 3 locking points on your door.

FBI figures report a burglary occurs every 15 seconds where 34 percent of burglars enter through the front door. The average loss per break in is \$2,230.

Rockwell Multipoint locking systems provide a deterrent to burglars and help protect your homes. Features include 3 locking points, plus a kickproof, and anti-jemmy lockset.

The Center deadbolts are laminated and hardened with anti-sawing feature.

Rockwell Multipoint locks will not only keep your doors secure, the additional locking points top and bottom also help prevent door warpage and also provides superior insulation preventing air and water infiltration, providing energy efficiency.

The factory installed Multipoint Lock offers a solution to both aesthetics and security.

The multipoint lock being secluded inside the door panel provides a clean look to the door with added safety and security features without the unsightly surface mounted additional locks being installed on a door for added security.



## ROCKWELL TL10 MULTIPOINT LOCK FOR AMERICAN ENTRY DOORS

### 7010 Series - 2-3/4" Backset



Rockwell TL10 multipoint lock with triple latch built for entry doors.

One piece construction maintains door panel integrity while ensuring a simple, trouble free and easy installation.

Automatic independent triple latching points. Laminated steel, anti-saw, anti-jemmy and kick resistant center deadbolt for maximum security.

90 degree consumer friendly easy locking operation. Visual lock indicator feature.

Fits standard double bore with 5.5" hole centers and 2-1/8" bore.

Field reversible with a screwdriver.

Precision engineered components for a smooth and reliable operation.

Adjustable strike plates allow for field adjustment.

### SPECIFICATIONS

#### MATERIAL AND FINISH :

Heavy gauge steel construction with coated faceplate

BACKSET : 2-3/4"

HOLE CENTER : 5.5" center to center

DEADBOLT : 1" wide x 1" throw Laminated Steel with anti-saw, anti-jemmy and kick resistant feature.

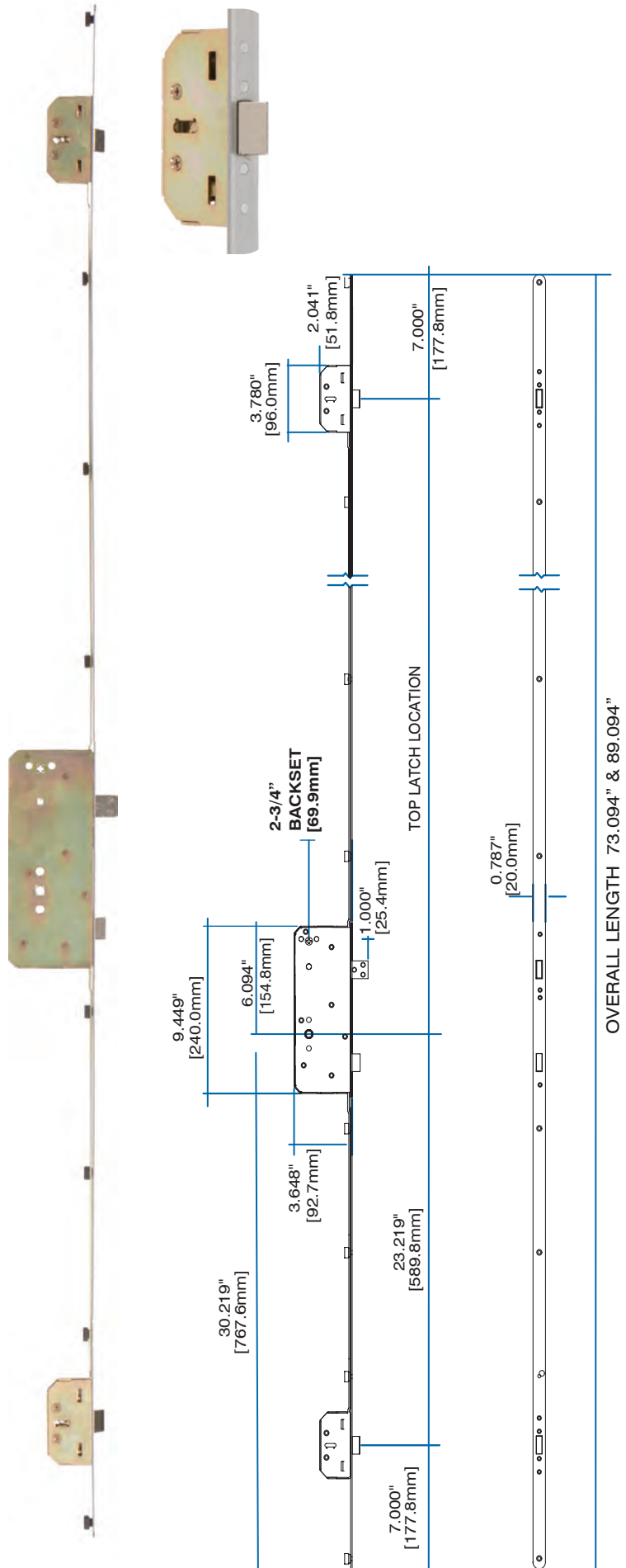
Americanized 90 degree turn

LATCH : 1/2" throw, 45 degree turn

FACEPLATE : 0.787" wide (20mm) Euro-groove application

CYCLE TESTING : Tested to over 100,000 cycles

Part Number	Panel Size	Top Latch Location	Overall Length
70108768	6'8"	35.875"	73.094"
70108780	8'0"	51.875"	89.094"





## ROCKWELL XL22 MULTIPOINT LOCK FOR AMERICAN ENTRY DOORS

### 7222 Series - 2-3/8" Backset



Rockwell XL22 multipoint lock with triple latch

One Piece Construction maintains door panel integrity while ensuring a simple, trouble free and easy installation.

Automatic independent triple latching points.

Laminated Steel, anti-saw, anti-jemmy and kick resistant center deadbolt for maximum security.

90 degree consumer friendly easy locking operation.

Visual lock indicator feature

Fits standard double bore with 5.5" hole centers and 2-1/8" bore.

Field reversible with a screwdriver.

Precision engineered components for a smooth and reliable operation

Adjustable strike plates allow for field adjustment.

### SPECIFICATIONS

#### MATERIAL AND FINISH :

Heavy gauge steel construction with coated faceplate

BACKSET : 2-3/8"

HOLE CENTER : 5.5" center to center

DEADBOLT : 1" wide x 1" throw Laminated steel

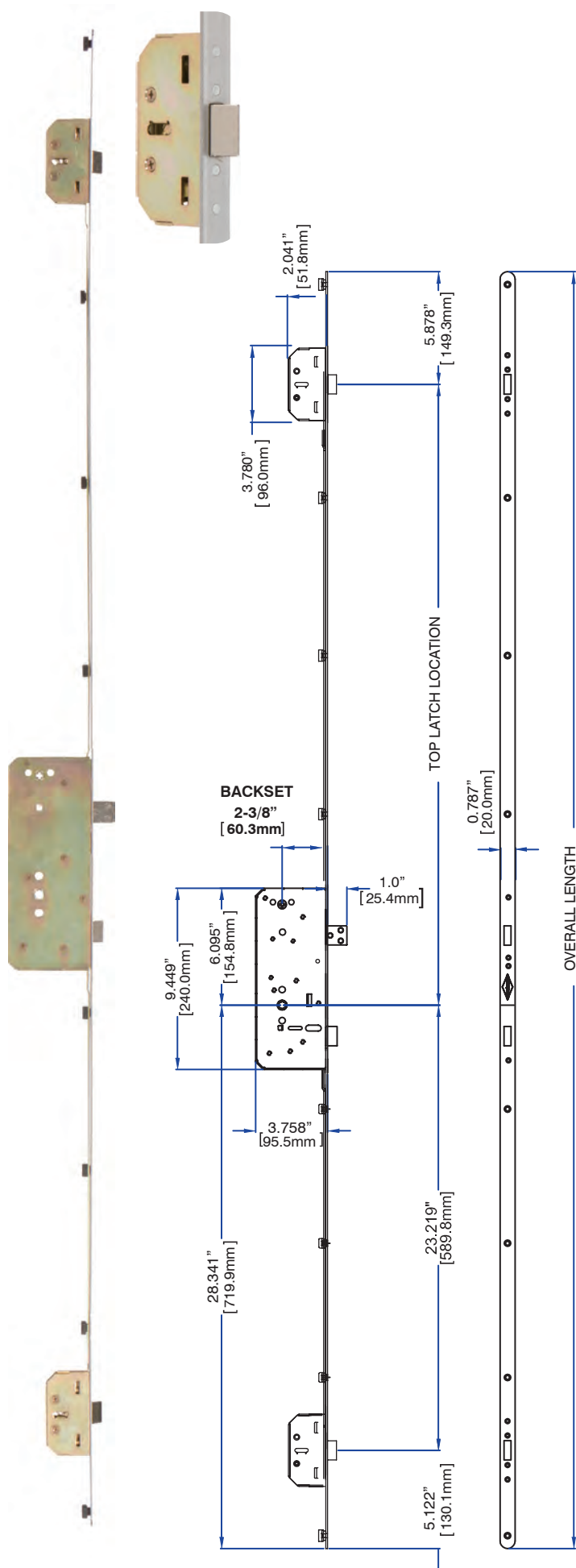
Americanized 90 degree turn

LATCH : 1/2" throw, 45 degree turn

FACEPLATE : 0.787" wide (20mm) Euro-groove application

CYCLE TESTING : Tested to over 100,000 cycles

Part Number	Panel Size	Top Latch Location	Overall Length
72228768	6'8"	32.375"	66.594"
72228780	8'0"	45.500"	79.724"





## ROCKWELL ST3 MULTIPOINT LOCK FOR AMERICAN ENTRY DOORS

**7322, 7311 Series  
- 2-3/8" Backset**



Rockwell ST multipoint lock with deadlocking tongues are built to work with Rockwell traditional grip handle sets and standard lever sets.

One piece construction maintains door panel integrity while ensuring a simple, trouble free and easy installation

Laminated Steel, anti-saw, anti-jemmy and kick resistant center deadbolt for maximum security.

90 degree consumer friendly easy locking operation. Visual lock indicator feature.

Fits standard double bore with 5.5" hole centers and 2-1/8" bore.

Field reversible with a screwdriver.

Precision engineered components for a smooth and reliable operation.

Adjustable strike plates allow for field adjustment.

### SPECIFICATIONS

#### MATERIAL AND FINISH :

Heavy gauge steel construction with coated faceplate or Stainless Steel for coastal applications.

BACKSET : 2-3/8"

HOLE CENTER : 5.5" center to center

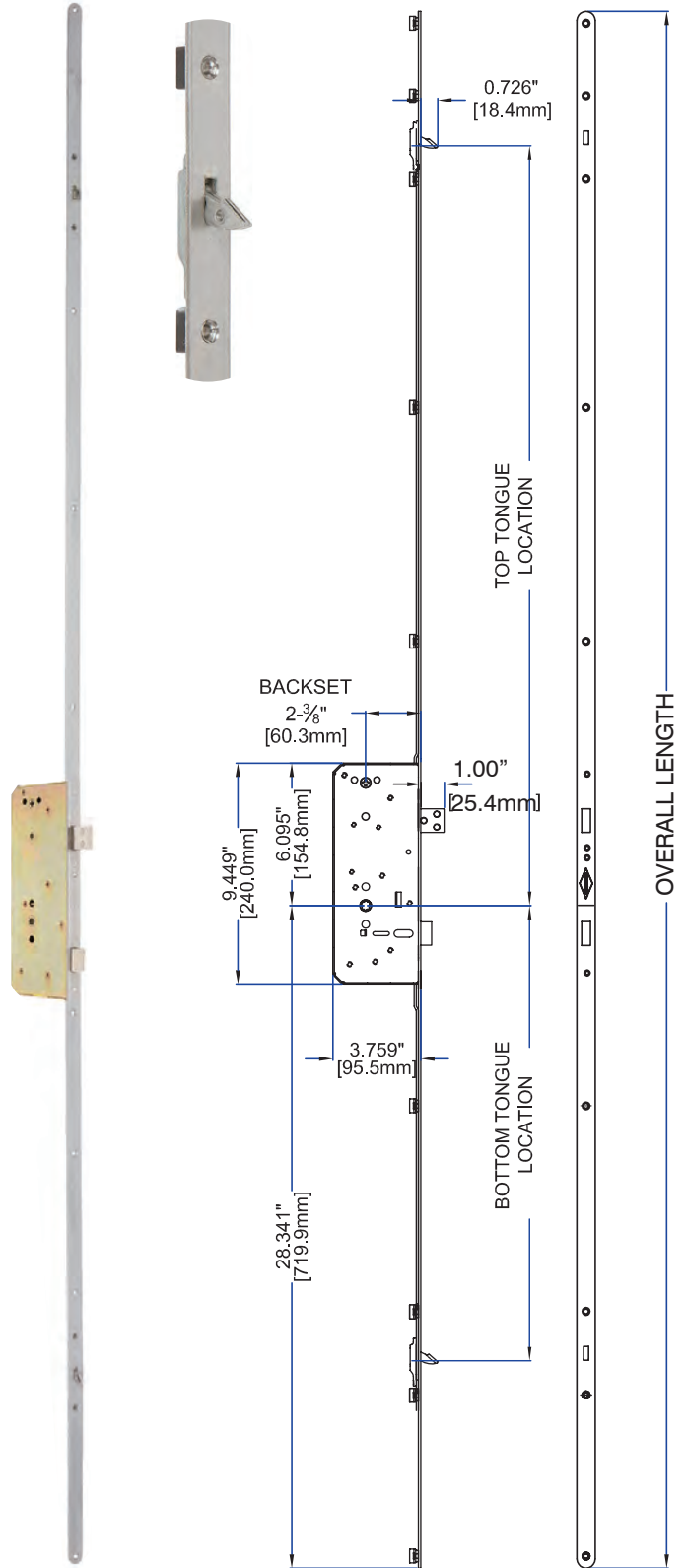
DEADBOLT : 1" Wide x 1" throw Laminated Steel

Americanized 90 degree turn

LATCH : 1/2" throw, 45 degree turn

FACEPLATE : 0.787" wide (20mm) Eurogroove application

CYCLE TESTING : Tested to over 100,000 cycles



Part Number	Material	Panel Size	Bottom Tongue Location	Top Latch Location	Overall Length
73228768	Steel	6'8"	19.443"	32.555"	66.594"
73228780	Steel	8'0"	22.318"	45.680"	79.724"
73118868	Stainless Steel	6'8"	19.443"	32.555"	66.594"
73118880	Stainless Steel	8'0"	22.318"	45.680"	79.724"

**EASY TO USE - MULTIPLE TRIM OPTIONS**  
**COST EFFECTIVE - FIELD ADJUSTABLE & HIGHLY SECURE**



**PERFORMANCE BENEFIT OF  
MULTIPOINT LOCKING WHILE  
MAINTAINING THE LOOK AND  
COST POINT OF A TRADITIONAL  
GRIP HANDLE SET**

**American consumer friendly with 1/4 turn deadbolt lock indicator**  
**Easy to operate multipoint lock works with a traditional entry grip handle set**  
**High security multiple locking points. One piece construction**  
**Fits standard 2 1/8" double bore at 5 1/2" centers**



## PREMIUM ROCKWELL LUMINA MULTIPOINT HANDLE SET WITH DELTA LEVER

For 7322 / 7311  
Series



### SPECIFICATIONS

**MATERIAL:** Solid Brass Drop Forged construction for precision, strength and long lasting durability  
Individually spring loaded function.

**CYLINDER :** Anti-bump, anti-pick, 5 pin SC1 Keyway, pin depths and increments.

**KEY:** 1-1/4" Wide bow Solid Brass keys

**DOOR THICKNESS :** 1-3/4"; 2-1/4" Kits available.

Individually Spring Loaded Levers

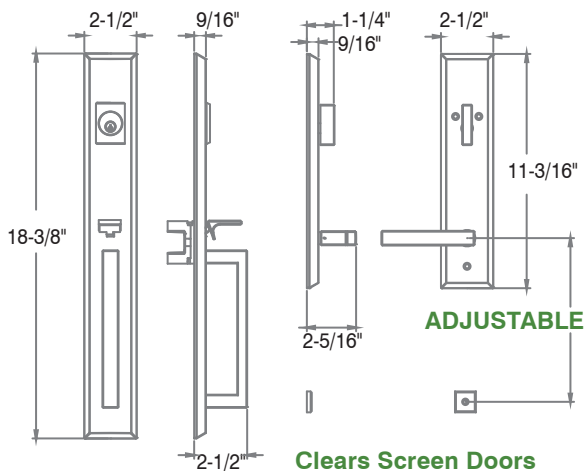
**HANDING :** Non-handed Kit

**FUNCTION :** Residential Single Cylinder Multipoint lock door Handle for use with 7322 and 7311 series Multipoint locks.

Part Number	Finish
H700MPDLUS15	Brushed Nickel
H700MPDLUS10B	Oil Rubbed Bronze

### LUMINA HANDLE SET DUMMY MOUNTING KIT

Part Number	Finish
HDMKAIWUS15	Brushed Nickel
HDMKAIWUS10B	Oil Rubbed Bronze







## PREMIUM ROCKWELL CARMEL MULTIPOINT HANDLE SET WITH DAHLI LEVER

For 7322 / 7311  
Series



### SPECIFICATIONS

**MATERIAL:** Solid Brass Drop Forged construction for precision, strength and long lasting durability  
Individually spring loaded function.

**CYLINDER :** Anti-bump, anti-pick, 5 pin SC1 Keyway, pin depths and increments.

**KEY:** 1-1/4" Wide bow Solid Brass keys

**DOOR THICKNESS :** 1-3/4"; 2-1/4" Kits available.  
Individually Spring Loaded Levers

**HANDING :** Non-handed Kit

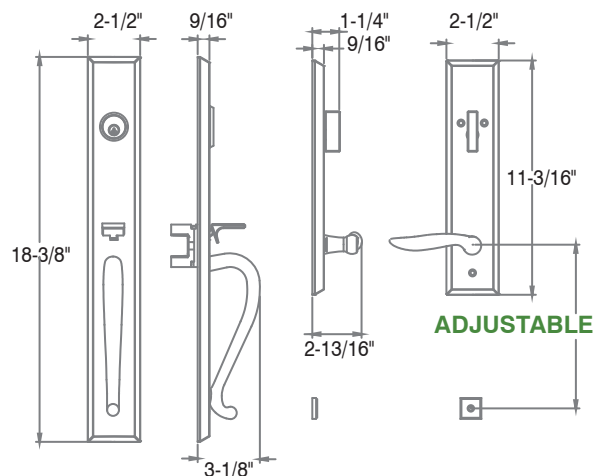
**FUNCTION :** Residential Single Cylinder Multipoint lock door Handle for use with 7322 and 7311 series Multipoint locks.



Part Number	Finish
H790MPDLUS15	Brushed Nickel
H790MPDLUS10B	Oil Rubbed Bronze

### CARMEL HANDLE SET DUMMY MOUNTING KIT

Part Number	Finish
HDMKAIWUS15	Brushed Nickel
HDMKAIWUS10B	Oil Rubbed Bronze





# PREMIUM ROCKWELL TIMES SQUARE MULTIPOINT HANDLE SET WITH DELTA LEVER



## SPECIFICATIONS

**MATERIAL:** Solid Brass Drop Forged construction for precision, strength and long lasting durability  
**SIZE:** 11" x 2-1/2" Escutcheon Plate covers 2-1/8" cylindrical cutout.

**CYLINDER :** Anti-bump, anti-pick, 5 pin SC1 Keyway, pin depths and increments.

**KEY:** 1-1/4" Wide bow Solid Brass keys

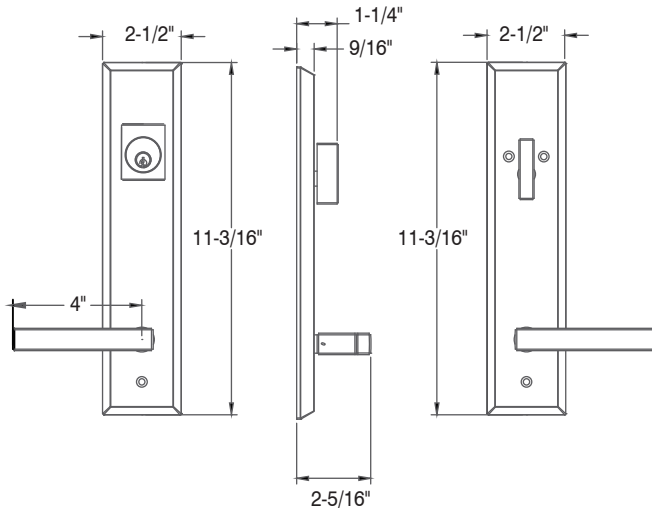
**DOOR THICKNESS :** 1-3/4"; Conversion Kits available for 2-1/4" thick doors

Individually Spring Loaded Levers

**FUNCTION :** Residential Single Cylinder Multipoint lock door Handle

**HANDING :** Non-handed Reversible Levers

Part Number	Finish
H433MPDLUS15	Brushed Nickel
H433MPDLUS10B	Oil Rubbed Bronze





## PREMIUM ROCKWELL VERANO MULTIPOINT HANDLE SET WITH DAHLI LEVER

For 7010, 7222,  
7322 & 7311 Series



### SPECIFICATIONS

**MATERIAL:** Solid Brass Drop Forged Construction for precision, strength and long lasting durability  
**SIZE:** 11" x 2-1/2" Escutcheon Plate. Covers 2-1/8" cylindrical cutout.

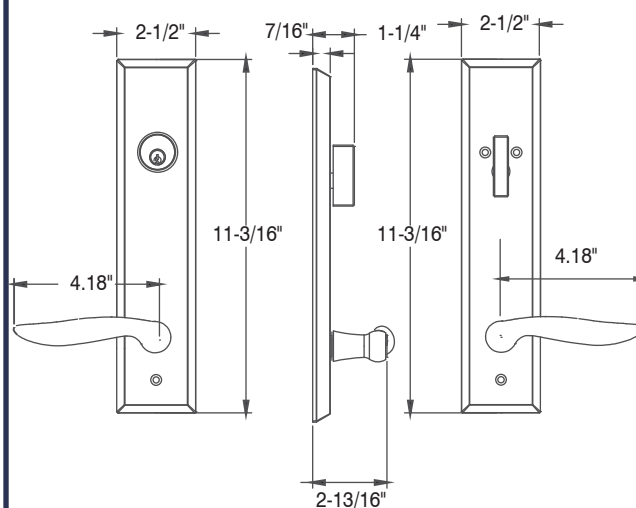
**CYLINDER :** Anti-bump, anti-pick, 5 pin SC1 Keyway, pin depths and increments.

**KEY :** 1-1/4" Solid Brass Nickel Plated Wide bow keys  
**DOOR THICKNESS :** 1-3/4"; Conversion Kits for 2-1/4" thick doors are available.

**FUNCTION :** Residential Single Cylinder Multipoint lock door Handle

**HANDING :** Non-Handed Reversible Levers


Part Number	Finish
H435MPMLUS15	Brushed Nickel
H435MPMLUS10B	Oil Rubbed Bronze
H435MPMLDN	Distressed Nickel





## PREMIUM ROCKWELL VERANO MULTIPOINT HANDLE SET WITH BOURNE LEVER

For 7010, 7222,  
7322 & 7311 Series



### SPECIFICATIONS

**MATERIAL:** Solid Brass Drop Forged Construction for precision, strength and long lasting durability

**SIZE:** 11" x 2-1/2" Escutcheon Plate. Covers 2-1/8" cylindrical cutout.

**CYLINDER :** Anti-bump, anti-pick, 5 pin SC1 Keyway, pin depths and increments.

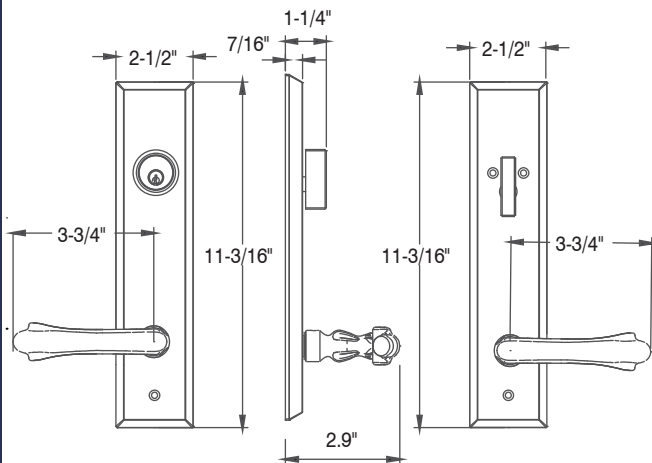
**KEY :** 1-1/4" Solid Brass Nickel Plated Wide bow keys

**DOOR THICKNESS :** 1-3/4"; Conversion Kits for 2-1/4" thick doors are available.

**FUNCTION :** Residential Single Cylinder Multipoint lock door Handle

**HANDING :** Non-Handed Reversible Levers

Part Number	Finish
H435MPBLUS15	Brushed Nickel
H435MPBLUS10B	Oil Rubbed Bronze
H435MPBLDN	Distressed Nickel





## PREMIUM ROCKWELL VERANO MULTIPOINT HANDLE SET WITH QUATTRO LEVER

For 7010, 7222,  
7322 & 7311 Series



### SPECIFICATIONS

**MATERIAL:** Solid Brass Drop Forged construction for precision, strength and long lasting durability  
**SIZE:** 11" x 2-1/2" Escutcheon Plate covers 2-1/8" cylindrical cutout.

**CYLINDER :** Anti-bump, anti-pick, 5 pin SC1 Keyway, pin depths and increments.

**KEY:** 1-1/4" Wide bow Solid Brass keys

**DOOR THICKNESS :** 1-3/4"; Conversion Kits available for 2-1/4" thick doors

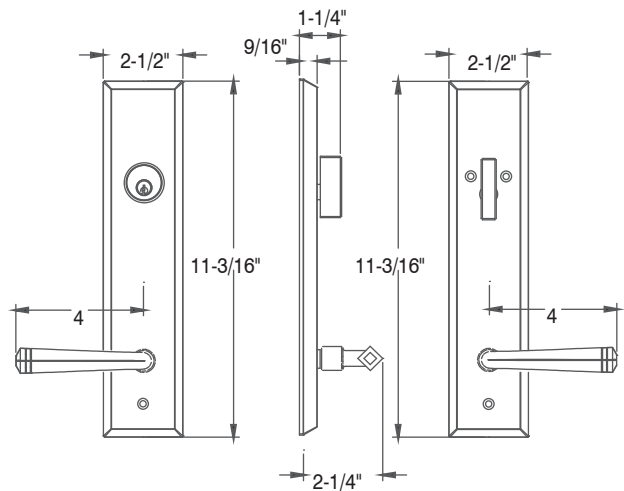
Individually Spring Loaded Levers

**FUNCTION :** Residential Single Cylinder Multipoint lock door Handle

**HANDING :** Non-handed Reversible Levers




Part Number	Finish
H435MPDQUS15	Brushed Nickel
H435MPDQUS10B	Oil Rubbed Bronze
H435MPDQDN	Distressed Nickel





**PREMIUM ROCKWELL VERANO  
MULTIPOINT HANDLE SET  
WITH CHELSEA LEVER**

**For 7010, 7222,  
7322 & 7311 Series**



**SPECIFICATIONS**

**MATERIAL:** Solid Brass Drop Forged construction for precision, strength and long lasting durability  
**SIZE:** 11" x 2-1/2" Escutcheon Plate covers 2-1/8" cylindrical cutout.

**CYLINDER :** Anti-bump, anti-pick, 5 pin SC1 Keyway, pin depths and increments.

**KEY:** 1-1/4" Wide bow Solid Brass keys

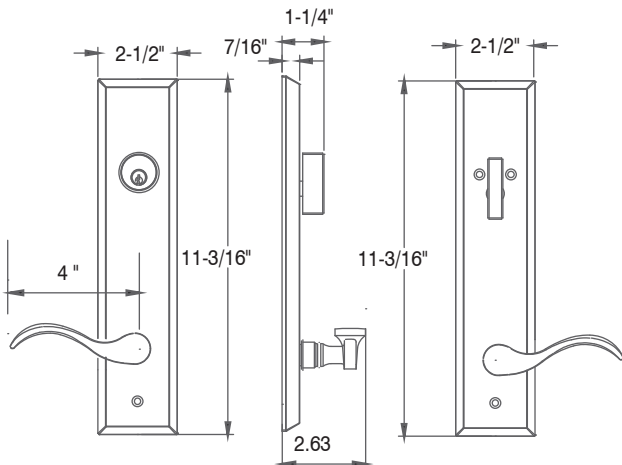
**DOOR THICKNESS :** 1-3/4"; Conversion Kits available for 2-1/4" thick doors

Individually Spring Loaded Levers

**FUNCTION :** Residential Single Cylinder Multipoint lock door Handle

**HANDING :** Non-handed Reversible Levers

Part Number	Finish
H435MPCLUS15	Brushed Nickel
H435MPCLUS10B	Oil Rubbed Bronze
H435MPCLDN	Distressed Nickel





## PREMIUM SAPPHIRE MONACO MULTIPOINT LOCK TRIM WITH CHELSEA LEVER

For 7010, 7222,  
7322 & 7311 Series



### SPECIFICATIONS

MATERIAL: Solid Brass Drop Forged construction.

SIZE: 9" x 2-1/2" Trim Plate. Covers 2-1/8" Cutout.

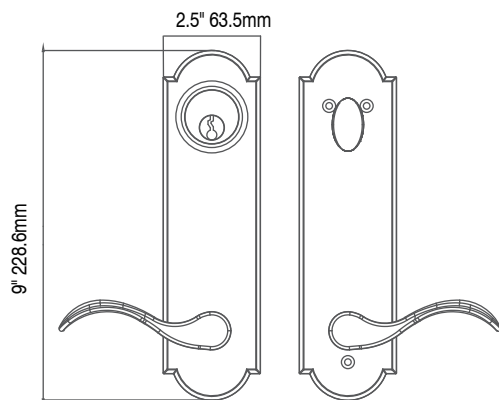
CYLINDER : Anti-bump, anti-pick, 5 pin SC1 Keyway, pin depths and increments.

KEY: 1-1/4" Wide bow Solid Brass keys

DOOR THICKNESS: 1-3/4"; 2-1/4" C Kits available.



Part Number	Finish
H401CLUS15	Brushed Nickel
H401CL10B	Oil Rubbed Bronze
H401CLDN	Distressed Nickel
H401CLWH	White
H401CLPVDUS3	Lifetime Brass
H401CLPVDUS15	Lifetime Brushed Nickel





**PREMIUM SAPPHIRE MONACO  
MULTIPOINT TRIM  
WITH BOURNE LEVER**

**For 7010, 7222,  
7322 & 7311 Series**



**SPECIFICATIONS**

**MATERIAL:** Solid Brass Drop Forged Construction.

**SIZE :** 9" x 2 -1/2" Trim Plate. Covers 2-1/8" cutout.

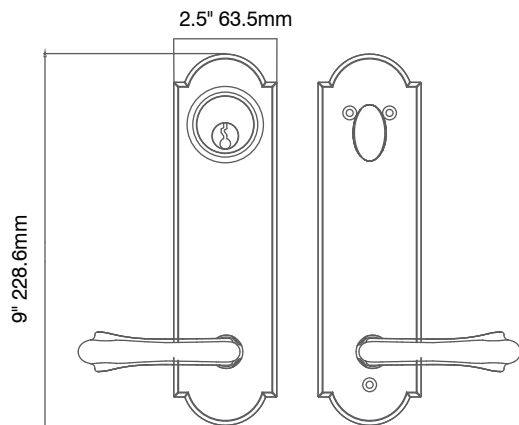
**CYLINDER :** Anti-bump, anti-pick, 5 pin SC1 Keyway, pin depths and increments.

**KEY :** 1-1/4" Wide Bow Solid Brass keys

**DOOR THICKNESS:** 1-3/4", 2-1/4" C Kits available.

**HANDING:** Non-handed.

Part Number	Finish
H401BLUS15	Brushed Nickel
H401BL10B	Oil Rubbed Bronze
H401BLDN	Distressed Nickel
H401BLPVDUS3	Lifetime Brass







## PREMIUM ROCKWELL SAN JOSE MULTIPOINT HANDLE SET WITH QUATTRO LEVER

For 7322 / 7311  
Series



### SPECIFICATIONS

**MATERIAL:** Solid Brass Drop Forged  
Construction for precision, strength and durability.  
Individually spring loaded function.

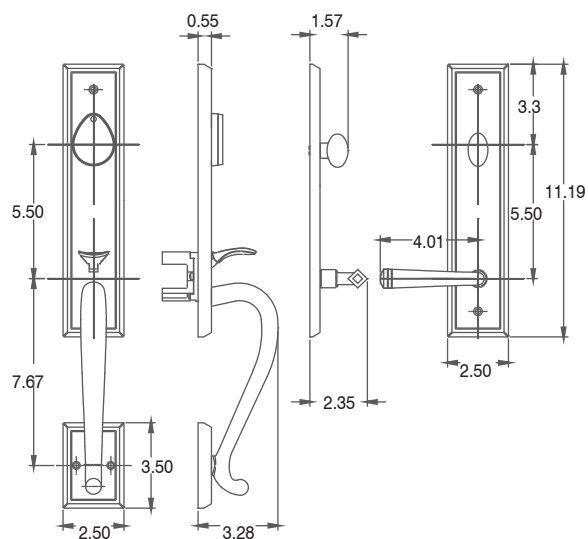
**CYLINDER :** Anti-bump, anti-pick, 5 pin SC1 Keyway,  
pin depths and increments,

**KEYS :** 1-1/4" Wide Bow Solid Brass Keys

**DOOR THICKNESS :** 1-3/4", 2-1/4" C Kits available.

**FUNCTION :** Residential Single Cylinder Multipoint  
lock door handle

Part Number	Finish
H600MPMUS15	Brushed Nickel
H600MPMUS10B	Oil Rubbed Bronze
H600MPMDN	Distressed Nickel



### SAN JOSE HANDLE SET DUMMY MOUNTING KIT


Part Number	Finish
HDMKAIWUS15	Brushed Nickel
HDMKAIWUS10B	Oil Rubbed Bronze
HDMKAIWDN	Distressed Nickel





**PREMIUM ROCKWELL SAVOY  
MULTIPOINT HANDLE SET  
WITH CHELSEA LEVER**

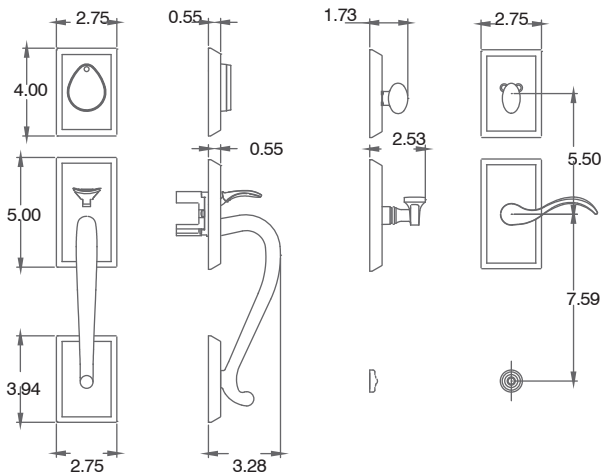
**For 7322 / 7311  
Series**



**SPECIFICATIONS**

**MATERIAL:** Solid Brass Drop Forged Construction for precision, strength and long lasting durability. Individually spring loaded function  
**Cylinder :** Anti-bump and anti-pick, 5 pin SC1 Keyway, pin depths and increments  
**KEYS:** 1-1/4" Wide Bow Solid Brass Keys  
**DOOR THICKNESS :** 1-3/4"; 2-1/4" C Kits available.  
**HANDING :** Non-Handed Kit  
**FUNCTION :** Residential Single Cylinder Multipoint lock door handle for use with 7322 and 7311 series.

Part Number	Finish
H303MPCLUS15	Brushed Nickel
H303MPCL10B	Oil Rubbed Bronze
H303MPCLDN	Distressed Nickel
H303MPCLUS3	Lifetime Brass
H300MPMWH	White



**SAVOY HANDLE SET DUMMY MOUNTING KIT**

Part Number	Finish
HDMK03	Brushed Nickel
HDMK71	Brass
HDMK10B	Oil Rubbed Bronze





## PREMIUM ROCKWELL ZENIA MULTIPOINT HANDLE SET WITH DELTA/DAHLI LEVER

For 7322 / 7311  
Series



### ZENIA HANDLE WITH DAHLI LEVER

Part Number	Finish
H310MPMLUS15	Brushed Nickel
H310MPMLUS10B	Oil Rubbed Bronze

### SPECIFICATIONS

**MATERIAL:** Solid Brass Drop Forged construction for precision, strength and long lasting durability Individually spring loaded function.

**CYLINDER :** Anti-bump, anti-pick, 5 pin SC1 Keyway, pin depths and increments.

**KEY:** 1-1/4" Wide bow Solid Brass keys

**DOOR THICKNESS :** 1-3/4"; 2-1/4" C Kits available.

Individually Spring Loaded Levers

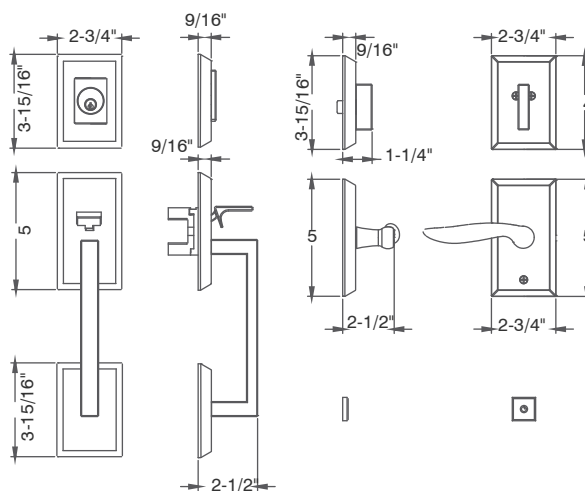
**HANDING :** Non-handed Kit

**FUNCTION :** Residential Single Cylinder Multipoint lock door Handle for use with 7322 and 7311 series Multipoint locks.



### ZENIA HANDLE WITH DELTA LEVER

Part Number	Finish
H310MPDLUS15	Brushed Nickel
H310MPDLUS10B	Oil Rubbed Bronze



### ZENIA HANDLE SET DUMMY MOUNTING KIT

Part Number	Finish
HDMK03	Brushed Nickel
HDMK71	Brass
HDMK10B	Oil Rubbed Bronze



**PREMIUM AQUA SOLID BRASS  
SECTIONAL DEADBOLT AND LEVER  
MULTIPOINT TRIM SET**

**For 7010, 7222,  
7322 & 7311 Series**



**AQUA SERIES  
Drop Forged Solid Brass Deadbolts**

Traditional style low profile deadbolt with cylinder cover  
CYLINDER : Anti-bump, anti-pick, 5 pin SC1 keyway,  
pin depths and increments.

KEYS : 1-1/4" Wide bow Solid Brass keys

DOOR THICKNESS: 1-3/4": 2-1/4" C Kits available

Part Number	Finish
461MPC-US15	Brushed Nickel

**AQUA SERIES  
Drop Forged Solid Brass Lever  
Multipoint Door Handle set**

Individually spring loaded levers to prevent handle sag.

Non-Handed.

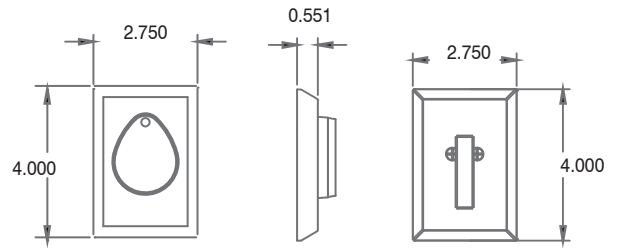
Short rotation lever trims.

Covers 2-1/8" Cylindrical cutout.

Part Number	Lever Style
L2AMPDLUS15	DELTA
L2AMPCLUS15	CHELSEA
L2AMPDQUS15	QUATTRO
L2AMPMLUS15	DAHLI



**DELTA**



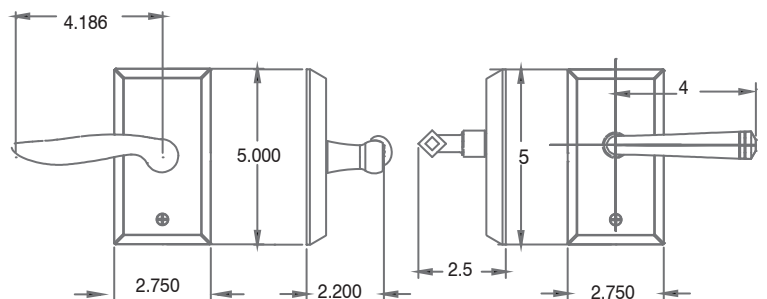
**CHELSEA**



**QUATTRO**



**DAHLI**



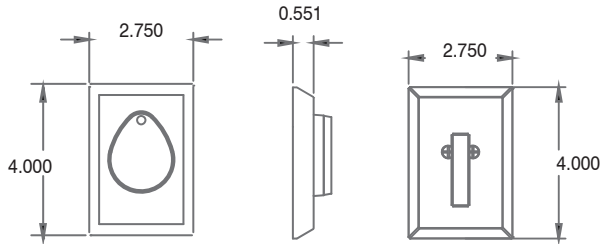


**PREMIUM AQUA SOLID BRASS  
SECTIONAL DEADBOLT AND LEVER  
MULTIPOINT TRIM SET**

**For 7010, 7222,  
7322 & 7311 Series**



**DELTA**



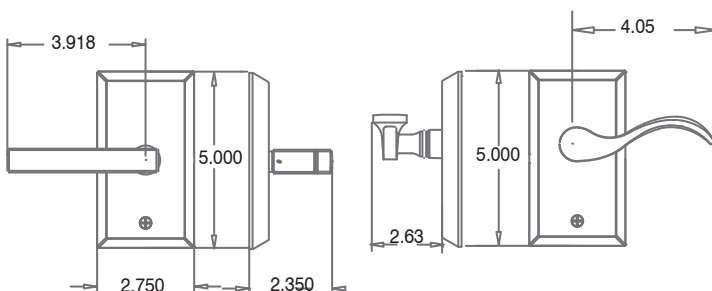
**CHELSEA**



**QUATTRO**



**DAHLI**



**AQUA SERIES  
Drop Forged Solid Brass Deadbolts**

Traditional style low profile deadbolt with cylinder cover

CYLINDER : Anti-bump, anti-pick, 5 pin SC1 keyway, pin depths and increments.

KEYS : 1-1/4" Wide bow Solid Brass keys

DOOR THICKNESS: 1-3/4": 2-1/4" Kits available

Part Number	Finish
461MPC-US10B	Oil Rubbed Bronze

**AQUA SERIES  
Drop Forged Solid Brass Lever  
Multipoint Door Handle set**

Individually spring loaded levers to prevent handle sag.

Non-Handed.

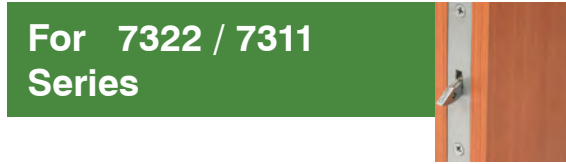
Short rotation lever trims.

Covers 2-1/8" Cylindrical cutout.

Part Number	Lever Style
L2AMPDLUS10B	DELTA
L2AMPCLUS10B	CHELSEA
L2AMPDQUS10B	QUATTRO
L2AMPMLUS10B	DAHLI



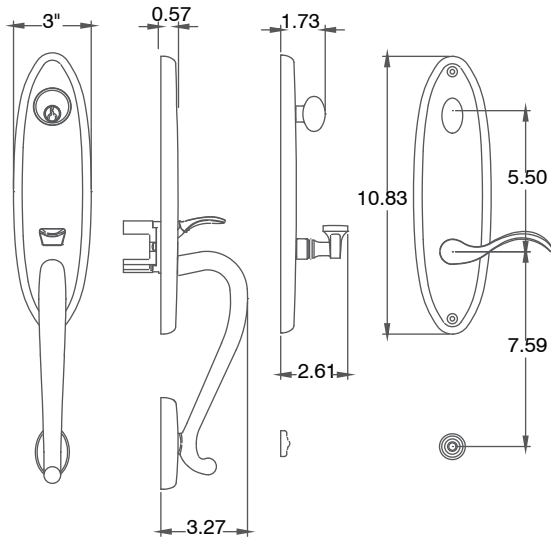
**PREMIUM ROCKWELL MONDRIAN  
MULTIPOINT HANDLE SET  
WITH CHELSEA LEVER**



**SPECIFICATIONS**

**MATERIAL:** Solid Brass Drop Forged Construction for precision, strength and long lasting durability. Individually spring loaded function.  
**CYLINDER :** Anti-bump, anti-pick, 5 pin SC1 Keyway, pin depths and increments.  
**KEYS :** 1-1/4" Wide Bow Solid Brass Keys  
**DOOR THICKNESS:** 1-3/4"; 2-1/4" C Kits available.  
**FUNCTION :** Residential Single Cylinder Multipoint door Handle.

Part Number	Finish
H200MPMCLUS15	Brushed Nickel
H200MPMCLUS10B	Oil Rubbed Bronze
H200MPMCLPVDUS3	Lifetime Brass



**MONDRIAN HANDLE SET DUMMY MOUNTING KIT**


Part Number	Finish
HDMK03	Brushed Nickel
HDMK10B	Oil Rubbed Bronze
HDMK71	Brass





**PREMIUM ROCKWELL WINDSOR  
MULTIPOINT HANDLE SET  
WITH CHELSEA LEVER**

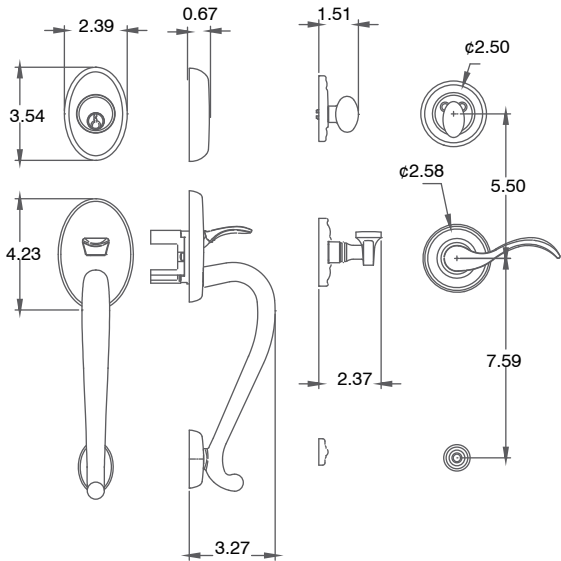
**For 7322 / 7311  
Series**



**SPECIFICATIONS**

**MATERIAL:** Solid Brass Drop Forged Construction for precision, strength and long lasting durability. Individually spring loaded function  
**CYLINDER :** Anti-bump, anti-pick, 5 pin SC1 Keyway, pin depths and increments.  
**KEYS :** 1-1/4" Wide Bow Solid Brass Keys  
**DOOR THICKNESS:** 1-3/4", 2-1/4" C Kits available.  
**FUNCTION :** Residential Single Cylinder Multipoint door handle

Part Number	Finish
H100MPCLS15	Brushed Nickel
H100MPCL10B	Oil Rubbed Bronze
H100MPCLDN	Distressed Nickel
H100MPCLPVDUS3	Brass



**WINDSOR HANDLE SET DUMMY MOUNTING KIT**

Part Number	Finish
HDMK03	Brushed Nickel
HDMK10B	Oil Rubbed Bronze
HDMK71	Brass





## SOLID BRASS SECTIONAL DEADBOLT AND LEVER MULTIPOINT LOCK TRIM



### Sapphire Drop Forged Solid Brass Deadbolts

Traditional style low profile deadbolt  
 CYLINDER: Anti-bump, anti-pick, 5 pin SC1 keyway, pins and increments.  
 KEYS : 1-1/4" Wide bow Solid Brass Keys  
 DOOR THICKNESS: 1-3/4"; 2-1/4" C Kits available.

Part Number	Finish
DB20-US15	Brushed Nickel
DB20-US10B	Oil Rubbed Bronze
DB20-PVDUS3	Brass
DB20-WH	White

### Sapphire Drop Forged Solid Brass Lever Mutlipoint Door Handle set

Individually spring loaded levers to prevent handle sag.  
 Non-Handed.  
 Short rotation lever trims  
 Concealed screws.  
 Covers 2-1/8" cylindrical cutout.

Part Number	Lever Style
LCM-1510	Chelsea Lever
LBM-1510	Bourne Lever
LDQ-1510	Quattro Lever
LMM-1510	Dahli Lever
LNM-1510	Norwich Lever



QUATTRO LEVER



BOURNE LEVER



NORWICH LEVER



DAHLI LEVER



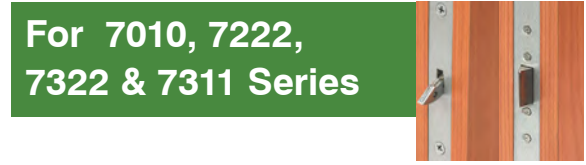
CHELSEA LEVER



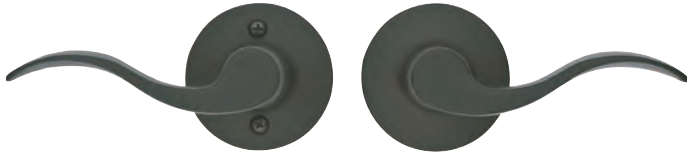




## BUILDERS GRADE SECTIONAL DEADBOLT AND LEVER MULTIPOINT TRIM SET



D180 Series



GLM10 Series



Contemporary style deadbolt and individually spring loaded levers to prevent handle sag.

Fully reversible lever handles.

CYLINDER : 5 pin SC1 Keyway, pin depths and increments.

Short rotation lever trim facilitates ease of operation.

Easy to install.

Covers 2-1/8" cylindrical cutout.

DOOR THICKNESS : 1.75"

### Builders Deadbolts

Part Number	Finish
D180-US15	Brushed Nickel
D180-US10B	Oil Rubbed Bronze
D180-US3	Brass

### Builders Deadbolts 2-3/4" Conversion Kit

Part Number	Finish
D182CKITUS15	Brushed Nickel
D182CKIT10B	Oil Rubbed Bronze

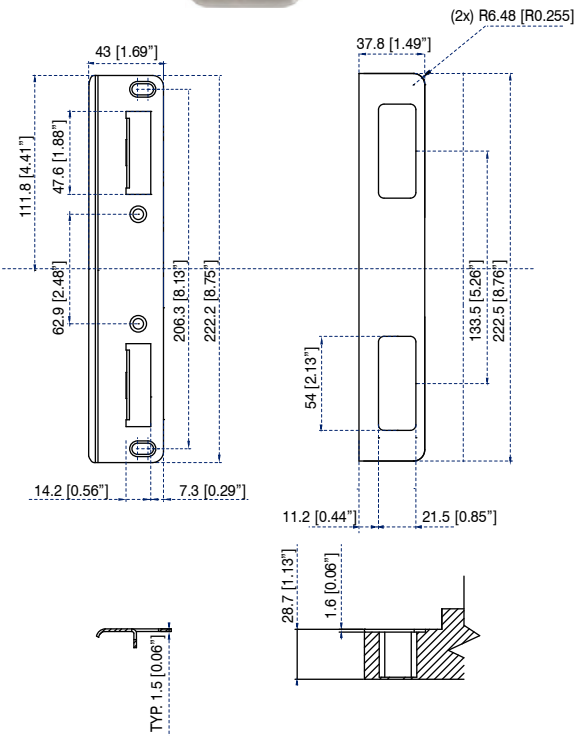
### Builders Lever Trim Set

Part Number	Finish
GLM10-US15	Brushed Nickel
GLM10-10B	Oil Rubbed Bronze
GLM10-US3	Brass



## 2334 Series Double Center Strikeplate

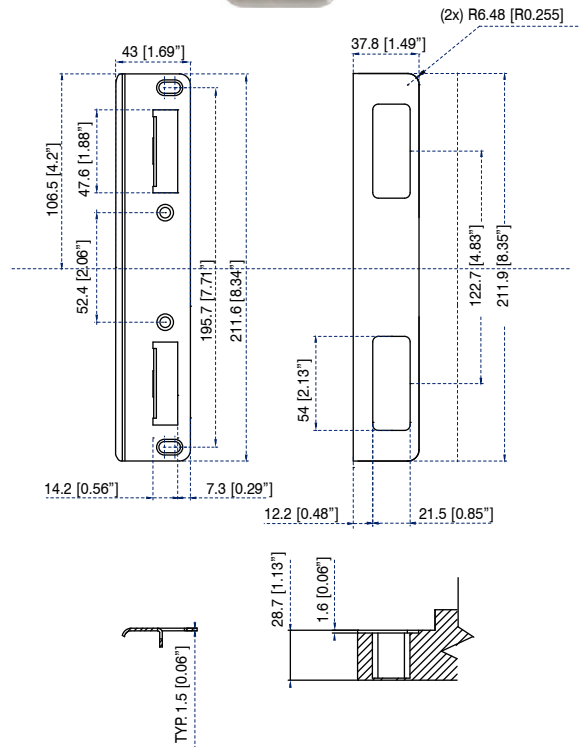
For 7010 & 7222 Series



Part Number	Finish
23340001	Brass
23340003S	Brushed Nickel
23340004	Oil Rubbed Bronze

## 2337 Series Double Center Strikeplate

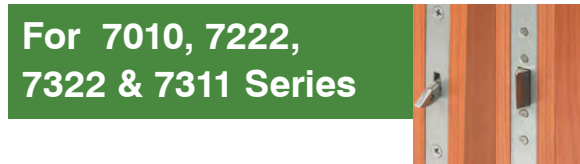
For 7322 & 7311 Series



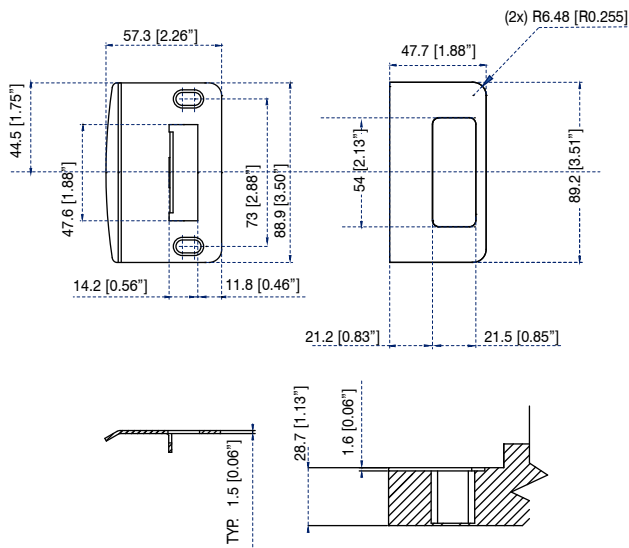
Part Number	Finish
23370001	Brass
23370003S	Brushed Nickel
23370004	Oil Rubbed Bronze



### 2336 Series Adjustable Strikeplate for 2-1/4" Thick Doors



Dimensions and Routing Detail

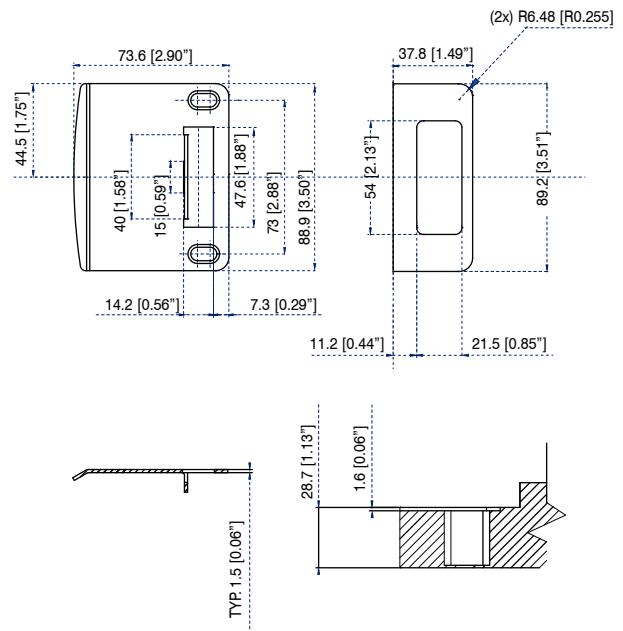


Part Number	Finish
23360001	Brass
23360003	Brushed Nickel
23360004	Oil Rubbed Bronze

### 2335 Series Adjustable Strikeplate for Outswing applications Suitable



Dimensions and Routing Detail



Part Number	Finish
23350001	Brass
23350003S	Brushed Nickel
23350004	Oil Rubbed Bronze

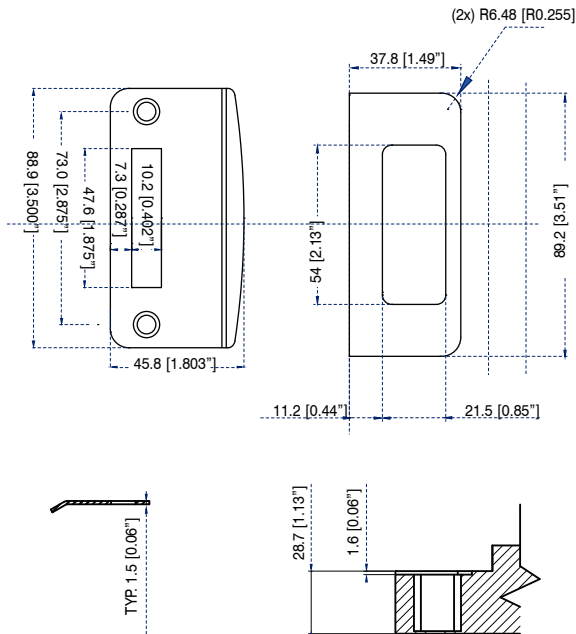


## 2319 Series Standard Strikeplate

For 7010, 7222,  
7322 & 7311 Series



Dimensions and Routing Detail



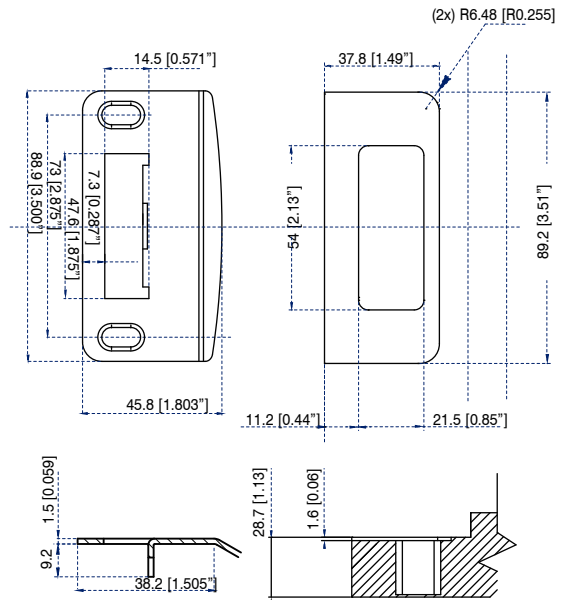
Part Number	Finish
23190001	Brass
23190003	Brushed Nickel
23190004	Oil Rubbed Bronze

## 2332 Series Adjustable Strikeplate

For 7010, 7222,  
7322 & 7311 Series



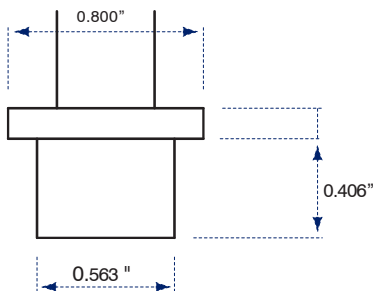
Dimensions and Routing Detail



Part Number	Finish
23320001	Brass
23320003	Brushed Nickel
23320004	Oil Rubbed Bronze
233200DN	Distressed Nickel
23321178	Stainless Steel



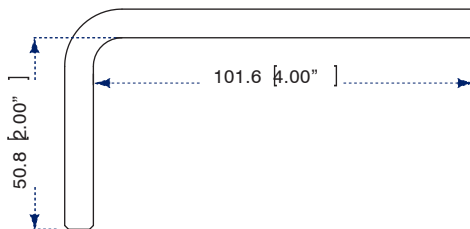
## ROUTER BIT



Part Number	Description
MPLDB203	Euro Groove Router Bit

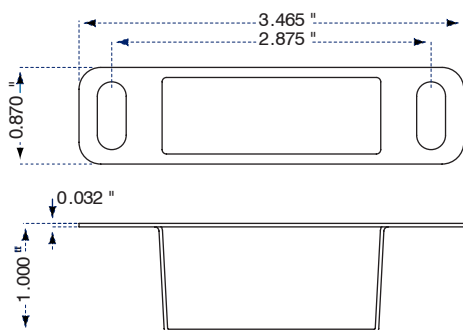
## ACCESSORIES

### CONSTRUCTION HANDLES



Part Number	Description
70100000	Construction Handle

### DUST BOX FOR STRIKE



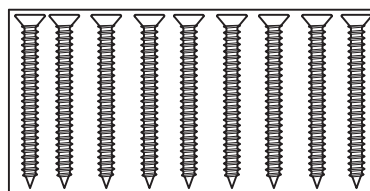
Part Number	Description
70108700DB	Dust box for Adjustable Strike

### 3" Strike Plate Screws



Part Number	Finish
2332SC10B	Oil Rubbed Bronze
2332SCUS3	Brass
2332SCUS15	Brushed Nickel

### 1-1/2" MP Lock Mounting Screws

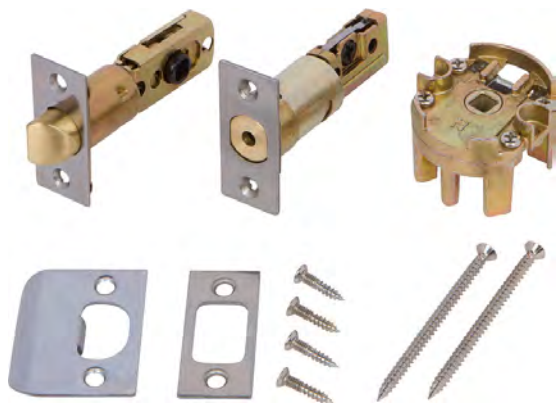


Part Number
7010MPSSC



## ACCESSORIES

### ROCKWELL CONVERSION KITS FOR SINGLE POINT LOCK



Part Number	Description
CONKHER-US15	Conversion Kit - US15
CONKHER-US10B	Conversion Kit - US10B
CONKHER-US3	Conversion Kit - US3

### ROCKWELL WIDE BOW KEY BLANKS

Solid Brass Nickel Plated Keyblank

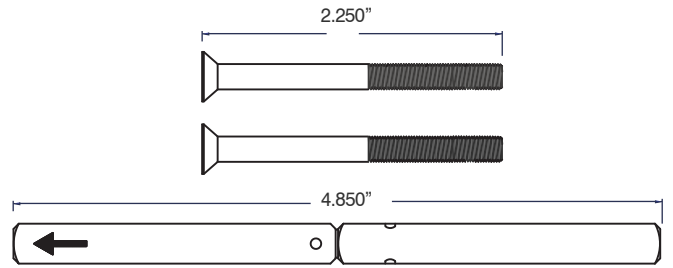
Wide Bow Key

SC1 Keyway

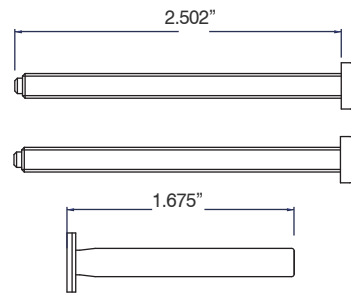


Part Number	Finish
EROKBSC	NICKEL PLATED

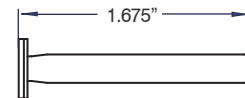
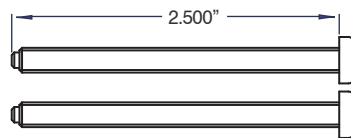
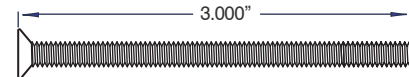
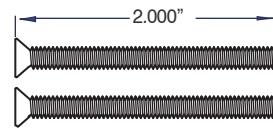
### ROCKWELL CONVERSION KITS FOR 2-1/4" THICK DOORS



Passage Lever Set Conversion Kit



Deadbolt Conversion Kit



Handle Set Conversion Kit

Part Number	Description
MI-DL-PACK72	Passage Set Conversion Kit
MI-DL-PACK73	Deadbolt Conversion Kit
MI-DL-PACK74	Entry Handle Set Conversion Kit

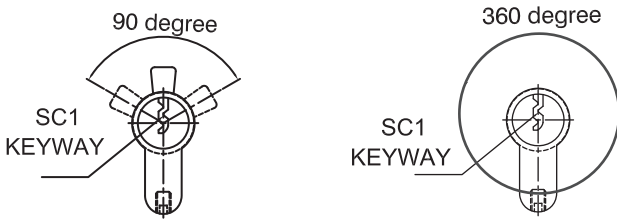
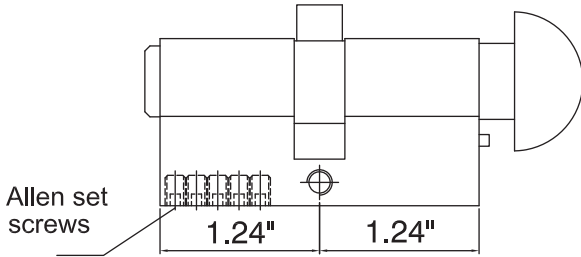


## EURO PROFILE LOCKING CYLINDERS

### Euro Profile Cylinder Locks 90 degree Turn

**MATERIAL:** Solid Brass Construction with 2 solid brass keys with set screws for easy rekeying  
**DOOR THICKNESS:** 1-3/4"  
**SPECIFICATIONS:** SC1 Keyway with SC1 pin depths, and pin increments.

Part Number	Finish
33330101	Brass
33330103	Brushed Nickel
33330104	Oil Rubbed Bronze



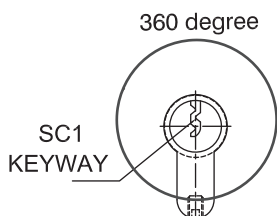
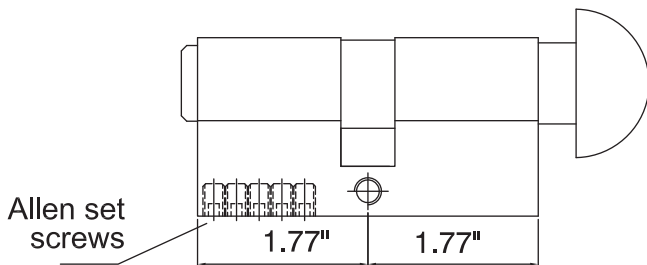
Solid Brass Euro profile cylinder 90 degree turn  
Fits 1-3/4" thick door

Solid Brass Euro profile cylinder 360 degree turn  
Fits 1-3/4" thick door

### Euro Profile Cylinder Locks 360 degree Turn

**MATERIAL:** Solid Brass Construction with 2 solid brass keys with set screws for easy rekeying  
**DOOR THICKNESS:** 1-3/4"  
**SPECIFICATIONS:** SC1 Keyway with SC1 pin depths, and pin increments.

Part Number	Finish
33660001	Brass
33660003	Brushed Nickel
33660004	Oil Rubbed Bronze



Solid Brass Euro profile cylinder 360 degree turn  
Fits 2-1/2" thick door

### Euro Profile Cylinder Locks 360 degree Turn

**MATERIAL:** Solid Brass Construction with 2 solid brass keys with set screws for easy rekeying  
**DOOR THICKNESS:** 2-1/2"  
**SPECIFICATIONS:** SC1 Keyway with SC1 pin depths, and pin increments.

Part Number	Finish
36454551	Brass
36454503	Brushed Nickel
36454504	Oil Rubbed Bronze



## ROCKWELL - DEFENDER NARROW STYLE MORTISE LOCK WITH PANIC RELEASE FEATURE

### Built For Security and Safety

#### GENERAL DESCRIPTION -

Defender mortise lock for swing doors has a built in Emergency exit feature. Patented Panic push to release feature - in a single motion, pushing down on lever unlocks the deadbolt and retracts the latch simultaneously to allow for an easy exit. Unlock the door with one motion by pushing down the lever to unlock and open the door.

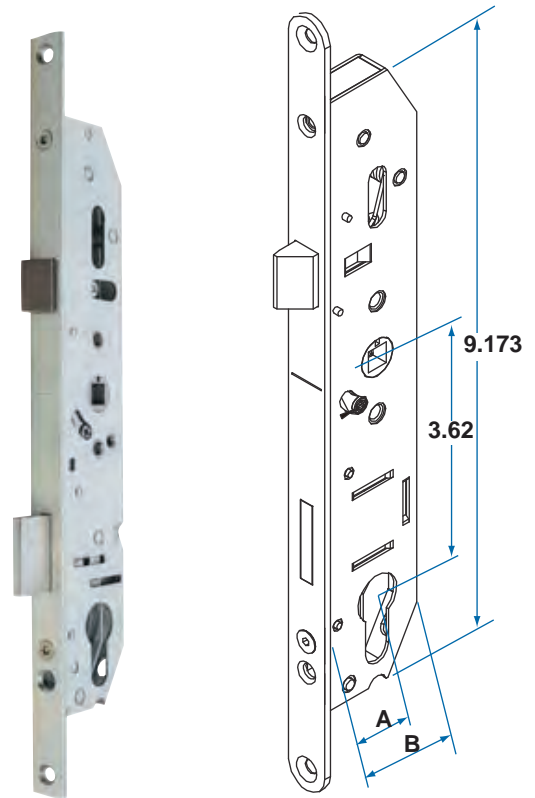
Narrow backset ideal for narrow style doors.

Built for security and safety, the defender mortise lock is Non-handed and field reversible for Left or Right hand doors.

Heavy gauge construction in zinc-dichromate steel. Mounting dimensions conform to general industry practice for Multipoint trims. All locks are compatible with Rockwell swing door handles. Suitable for wood, vinyl, or aluminum doors. Fits 16mm Eurogroove.

### SPECIFICATIONS

- MATERIAL AND FINISH- Heavy gauge steel with zinc dichromate finish per ASTM-B633.
  - MOUNTING HOLE LOCATIONS - Per industry practice
  - HANDLE LOCK HOLE LOCATION - 3.622"
  - KEY BACKSET - 1.377"
  - DEADBOLT - 3/4" throw
  - LATCH - 1/2" throw
  - HANDING - Non Handed
- TESTED TO OVER 100,000 OPERATING CYCLES.



### 702 DEFENDER MORTISE LOCK WITH EMERGENCY EGRESS

\* For use with all door construction materials

\* Field reversible

A	B	Part Number
1.377"	1.969"	70235110





## YORKSHIRE 200 SERIES NARROW STYLE PATIO DOOR MULTIPOINT LOCK

The Rockwell Yorkshire 200 series Narrow Style Multipoint lock with deadlocking hooks top and bottom.

Dual opposing deadlocking hooks provide anti-jemmy and a kickproof feature.

Narrow backset fits most patio doors.

Single Piece construction maintains door panel integrity while ensuring a simple, trouble free and easy installation.

Lever operated Multipoint lock provides maximum compression and sealing between door and frame

Non-handed and field reversible.

Precision engineered components for a smooth and reliable operation.

Multipoint locks are available with compatible Rockwell Narrow Style Multipoint lock door handles.

### SPECIFICATIONS

#### MATERIAL AND FINISH :

Heavy gauge steel construction with Stainless Steel Faceplate. 16mm Eurogroove application.

#### MOUNTING HOLE CENTER :

Per industry practice

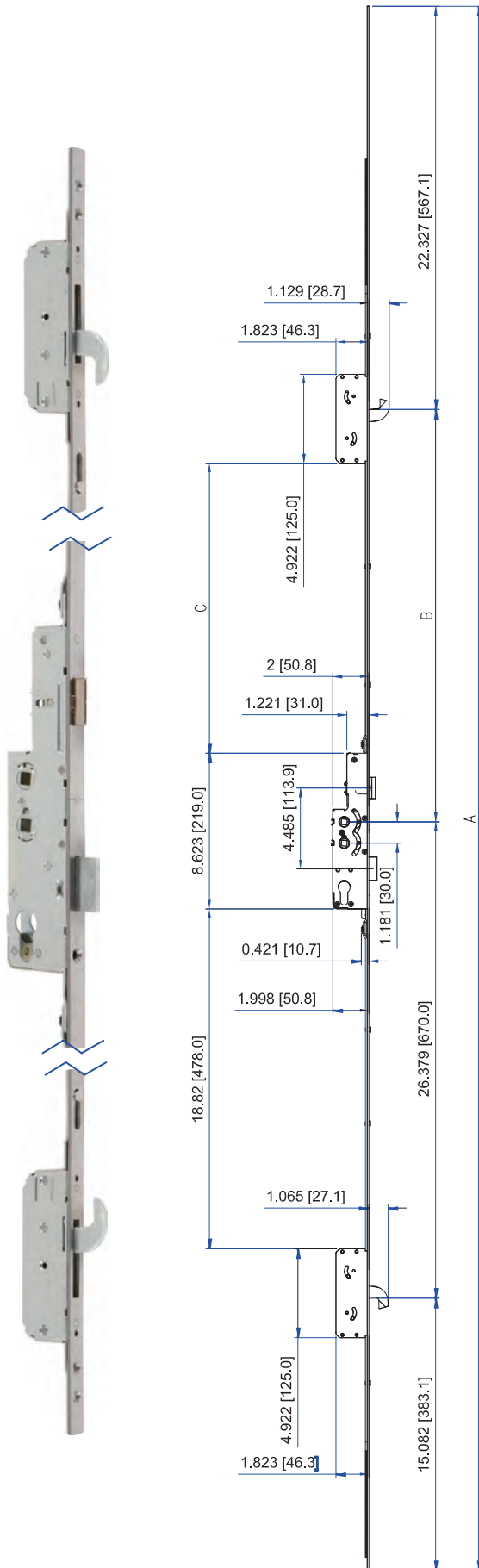
HANDLE TO HOLE LOCATION : 3.622"

KEY BACKSET : 1.377"

DEADBOLT : 3/4" (20mm) throw

LATCH : 1/2" throw

CYCLE TESTING: Cycle tested to over 100,000 cycles



Part Number	Material
20212200	Steel



## ROCKWELL TL10 MULTIPOINT LOCK FOR AMERICAN ENTRY DOORS

Eurolox Narrow style Multipoint mortise lock for garden or patio doors are available with deadlocking hooks top and bottom.

One piece construction maintains door panel integrity while ensuring a simple, trouble free and easy installation.

Triple locking points provide security and the lever operated hooks provide maximum compression and sealing across the door and frame. Precision engineered components for a smooth and reliable operation.

Mounting dimensions conform to general industry practice for Multipoint trims.

All locks are available with compatible Rockwell Narrow Style multipoint swing door handles

Suitable for narrow style wood, vinyl, or aluminum doors.

Field reversible with a screwdriver.

Adjustable strike plates allow for field adjustment.

### SPECIFICATIONS

#### MATERIAL AND FINISH :

Heavy gauge steel with zinc dichromate finish per ASTM-B633

MOUNTING HOLE CENTER : Per Industry practice

HANDLE TO HOLE LOCATION : 3.622"

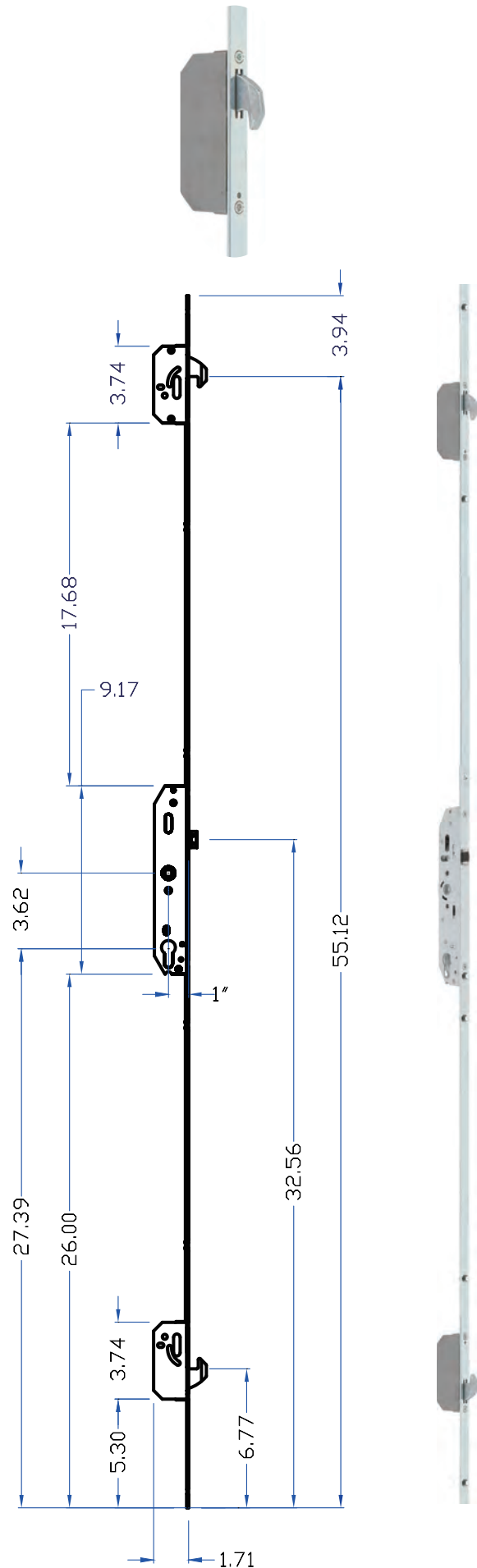
KEY BACKSET : 1"

DEADBOLT : 3/4" throw

FACEPLATE: 18mm Eurogroove application.

CYCLE TESTING: Tested to over 100,000 cycles

Part Number	Material
2026497.1	Steel





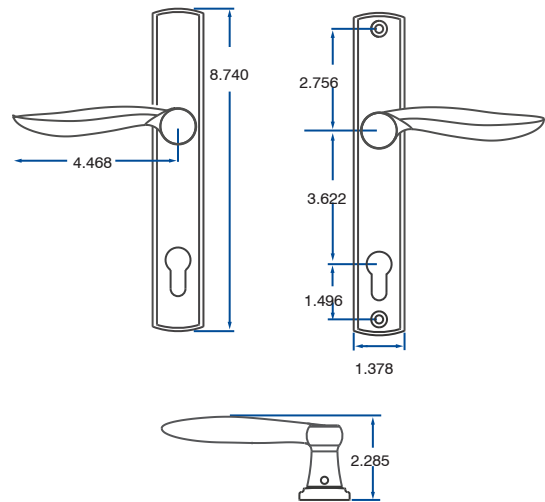
## NARROW STYLE CONTEMPORARY MULTIPOINT LOCK TRIM SET WITH DAHLI LEVER

### 6260 Series

MATERIAL: Solid Forged Brass Construction

DOOR THICKNESS : 1-3/4" or 2-3/8"

CYLINDER : 90 degree Europrofile Cylinder



Part Number	Finish
62603304	Oil Rubbed Bronze
62603371	Brass
62603303	Brushed Nickel



## NARROW STYLE CONTEMPORARY MULTIPOINT LOCK TRIM SET WITH DELTA LEVER

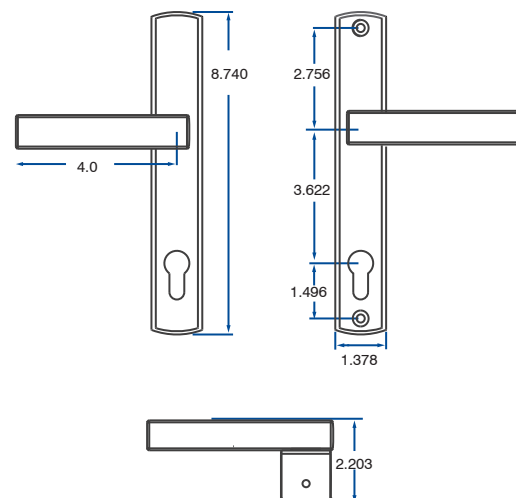
### 6263 Series

MATERIAL: Solid Forged Brass Construction

DOOR THICKNESS : 1-3/4" or 2-3/8"

CYLINDER : 90 degree Europrofile Cylinder

Part Number	Finish
62633304	Oil Rubbed Bronze
62633303	Brushed Nickel

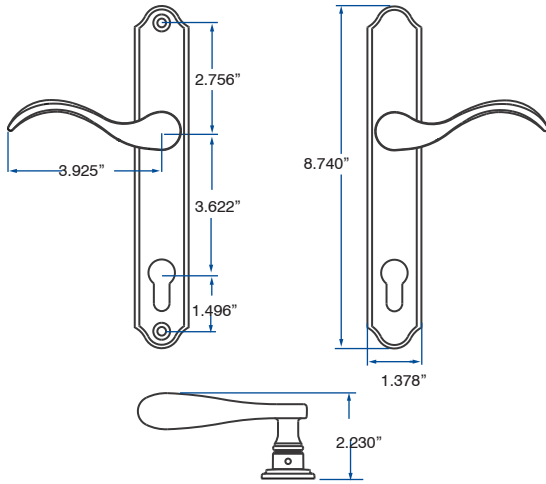




## NARROW STYLE WINDSOR MULTIPOINT LOCK TRIM SET

### 6109 Series

MATERIAL: Solid Brass Drop Forged Construction  
CYLINDER : 90 degree Europrofile Cylinder  
DOOR THICKNESS: 1-3/4" or 2-3/8"

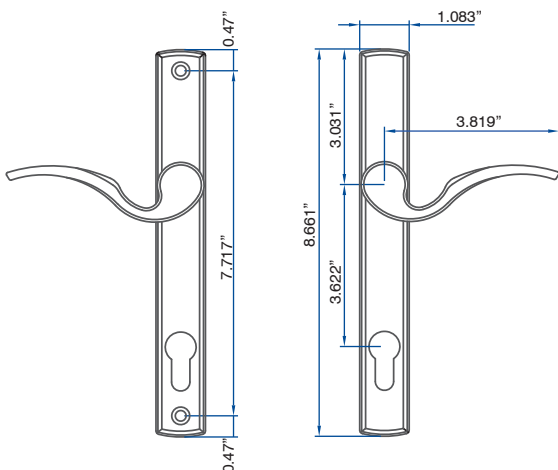


Part Number	Finish
61093304	Oil Rubbed Bronze
61093371	Brass
61093303	Brushed Nickel

## NARROW STYLE 6500 MULTIPOINT LOCK TRIM SET

### 2026 Series

MATERIAL: Solid Forged Brass Construction  
DOOR THICKNESS : 1.5" or 1-3/4"  
CYLINDER : Anti-bump, 5 pin SC1 keyway, pin depths and increments.



Part Number	Finish
20265001	Brass
20265003	Brushed Nickel
20265014	Black



## NARROW STYLE 5128 MULTIPOINT LOCK TRIM SET

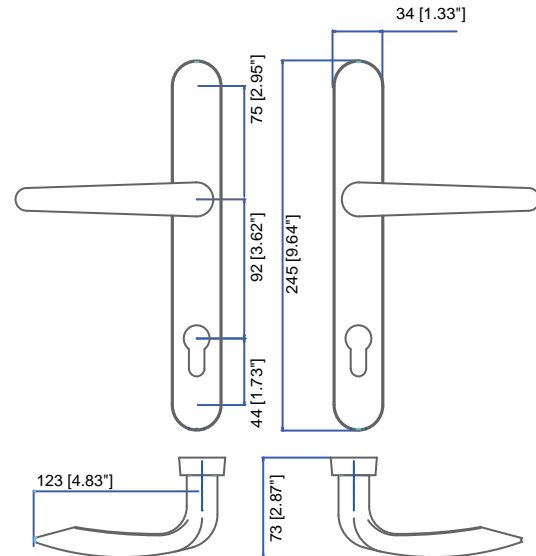
### 5128 Series

MATERIAL: Stainless Steel

DOOR THICKNESS : 1-3/4" or 2-3/8"

CYLINDER : Anti-bump, 5 pin SC1 keyway, pin depths and increments.

Part Number		CTC
51285368BS	Entry	85 MM
51285166BS	Dummy	85 MM
5129233BS	Entry	92 MM



## NARROW STYLE 5100 MULTIPOINT LOCK TRIM SET

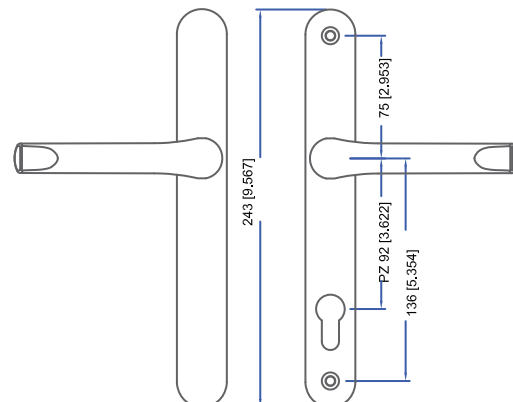
### 51105 Series

MATERIAL : Aluminum construction

FINISH : WHITE

DOOR THICKNESS: 2-3/8"

Part Number	Finish
51105551	White
511055514	Black





## HIGH PERFORMANCE ADJUSTABLE LIFT OFF CONCEALED BALL BEARING HINGE

Rockwell Hi-Performance Dual Vertical and Horizontal adjustable hinge comes standard with a Lift off feature along with a concealed ball bearing and a Non-Removable Pin.

### Lift-Off Feature

The Lift-Off Feature allows for a Faster installation and removal of the door panel where NO Tools are Required, saving time and money.

Conveniently transport and prevent damage to doors on the job site by easily removing and reinstalling the door panel. No removal of pins or screws to remove the door.

### Hi-Performance

Independently third party tested to exceed ANSI/BHMA 156.1 Grade 3 standard for 350,000 cycles with 3 hinges on a 180 lbs Door panel.

### Adjustability

Dual vertical and horizontal adjustment comes standard on all hinges. No separate set and guide hinges.

1/4" Vertical Adjustment and 0.15" horizontal adjustment with Visual adjustment indicator. Drift prevention feature ensures adjusted hinges do not drift or move out of the adjusted position.

Adjust vertically and horizontally with a hand screwdriver. Combination head screw avoids screw stripping issues.

One step routing simplifies door preparation. Fits industry standard template.

### Strength and Durability

Heavy Gauge All Metal Construction.

No Plastic or Synthetic Parts.

Heavy Duty 7/16" diameter Pin for extra strength.

Concealed ball bearing located inside the hinge knuckle for an aesthetically cleaner look.

### Smooth Operation

Concealed Hardened 3/8" Ball Bearing ensures ease of operation and improves cycle life.

### Security

Built-in Non-removable Pin comes standard making it suitable for both Inswing and Outswing applications.

Maximum adjusted door weight : 180 lbs. 3 hinges.  
240 lbs. 4 hinges





## HIGH PERFORMANCE ADJUSTABLE LIFT OFF CONCEALED BALL BEARING HINGE

### Rockwell Hi-Performance Lift-Off Hinge Technical Data Sheet

Part Numbers: 1228 series and 1230 series

Hi-Performance Lift Off Hinge is suitable for Medium to high frequency Residential door applications according to ANSI/BHMA 156.1. The Rockwell Hi-Performance Hinge has been independently tested to exceed ANSI/BHMA 156.1 with 3 hinges on a 180 lbs door for 350,000 cycles.

Minimum Door Thickness: 1-3/4" (44mm)

Maximum Adjusted Door Weight with 3 hinges: 180 lbs.

Maximum Adjusted Door Weight with 4 hinges: 240 lbs.

### Installation Instructions

Rockwell Hi-Performance Lift Off Hinges are Handed.

The Hinge body with the Pin is fitted onto the door panel with the Pin Pointing Down.

The Hinge leaf with the Knuckle is installed on the door Frame with the knuckle hole pointing up to receive the Pin.

Hi-Performance Lift Off Hinges are precisely manufactured with minimum clearances or play. Ensure the Hinge Body and Hinge leaf are accurately installed on both horizontal and vertical planes and the axis of the Hinge Pin and Hinge Knuckle are Inline.

Hi-Performance Lift Off Hinges are pre-lubricated. Depending on the extreme weather conditions the hinge may need lubrication. Lithium Grease is the recommended lubricant.

Please take care not to damage the Stainless Steel Washer when assembling the door panel to the Frame.

Prepare the Door Panel and the Frame. Mark and Mortise both the door panel and Frame.

Drill Pilot holes, in the size to suit the door material being used.

Fasten hinge bodies to the Door Panel using #10 screws. Minimum 1-1/4" length is recommended on the door Panel.

Ensure the hinge Pin is pointing down.

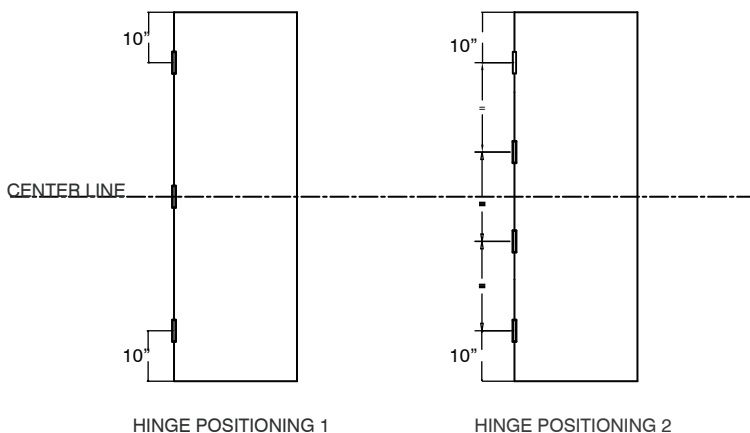
Fasten the hinge leaf onto the Door Frame, #10 by minimum 3/4" length is recommended. One screwhole is typically left out without a screw and is installed with a 1-1/2" or 2" long screw to reach the stud after the door is positioned into the rough opening.

Screw Lengths and types vary depending on the materials utilized. Ensure screws are fully tightened.

Hinges are pre-set in the Mid-position for 4 way adjustment. Do not adjust hinge until it is positioned into the rough opening to ensure maximum 4 way adjustment. Always adjust hinges vertically prior to horizontal adjustment.

### Hinge Positioning

For best results and maximum resistance against warping position the hinges with equal spacing as illustrated.





Rockwell Security Inc.

Proudly Supplied By



816-531-0161 | [www.pacificmutualdoor.com](http://www.pacificmutualdoor.com)