

# HARDWOODS®

Materials That Inspire



## MOULDING CATALOG

TEXAS



# WELCOME

We are proud to introduce our cabinet and moulding line. We are currently stocking hardwood mouldings and S4S in the following species: Maple, Poplar, Red Oak, and Knotty Alder. We offer a wide variety of mouldings and dimensioned boards for the cabinet, door, trim and stair industry. Here are our most popular profiles and dimensioned hardwood. Please feel free to contact our sales desk or area sales rep for a full inventory stock sheet. We aim to be your one stop shop for just in time plywood, lumber and NOW milled products. We have a custom milling service that can match any moulding style that you require.



# GREEN ECO-FRIENDLY

For more than seven decades our business has relied on the sustainability of the forest products industry. Our business is built around a renewable and recyclable resource and we recognize that as one of North Americas largest hardwood wholesale distributors, we have an obligation to minimize our impact by making the environment an ongoing component of our business decisions. Sustainability isn't just a marketing gimmick; it is a practice that ensures the future of our business. In addition to the following mouldings we stock S4S 3/4 x 3 1/2 - 3/4 x 11 1/4 in Poplar, Red Oak, Rustic Alder 8-10', Rustic Alder 16', White Maple

- Crowns . . . . . 4
- Base . . . . . 8
- Casings . . . . . 10
- Panel . . . . . 13
- Door . . . . . 14
- Cove . . . . . 15
- Chair . . . . . 16
- Miters . . . . . 17
- Decoratives . . . . . 18
- Miscellaneous . . . . . 24

# CROWNS

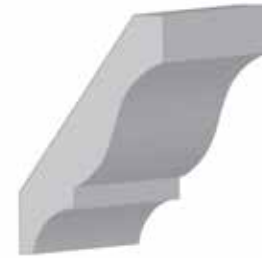
# CROWNS



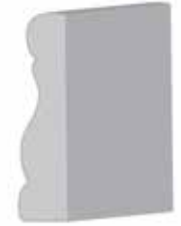
CROWNS  
**HW-14** | 9/16" x 2-3/4"



CROWNS  
**HW-15** | 11/16" x 4-3/8"



CROWNS  
**HW-8010** | 9/16" x 2-3/4"  
*In Stock*



CROWNS  
**HW-Z FRAME COLONIAL CROWN** | 7/16" x 1-3/4"



CROWNS  
**HW-8012** | 9/16" x 4-1/4"  
*In Stock*



CROWNS  
**HW-22** | 11/16" x 4-1/2"



CROWNS  
**HW-68** | 9/16" x 1-5/8"



CROWNS  
**HW-273** | 11/16" x 1-3/4"



CROWNS  
**HW-55** | 11/16" x 5-1/2"



CROWNS  
**HW-49** | 9/16" x 3-5/8"



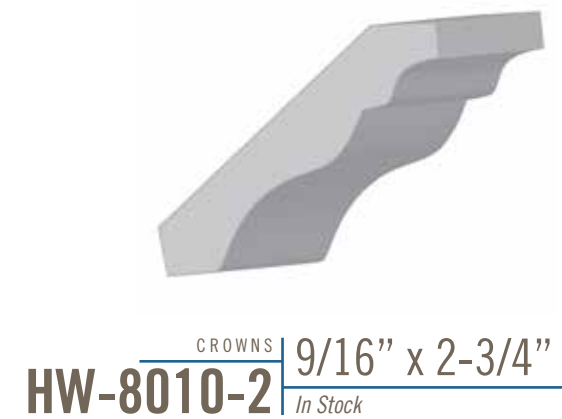
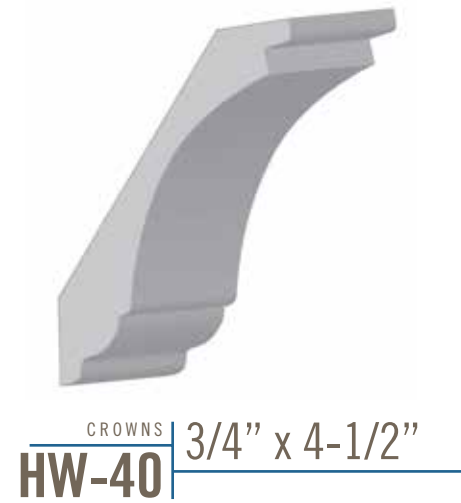
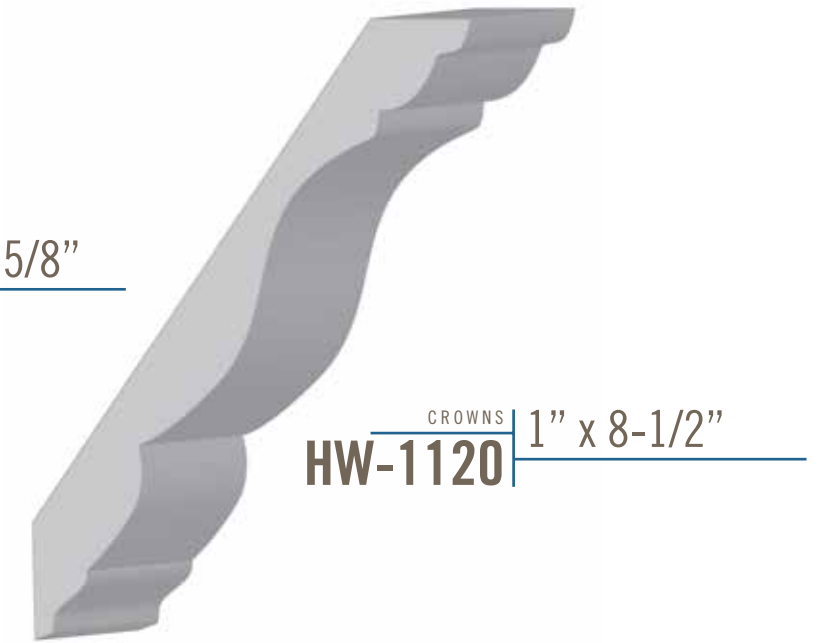
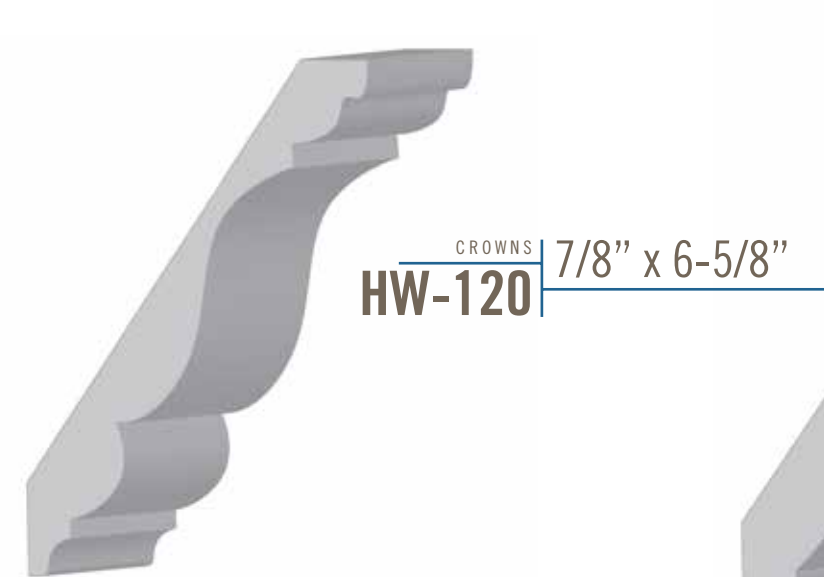
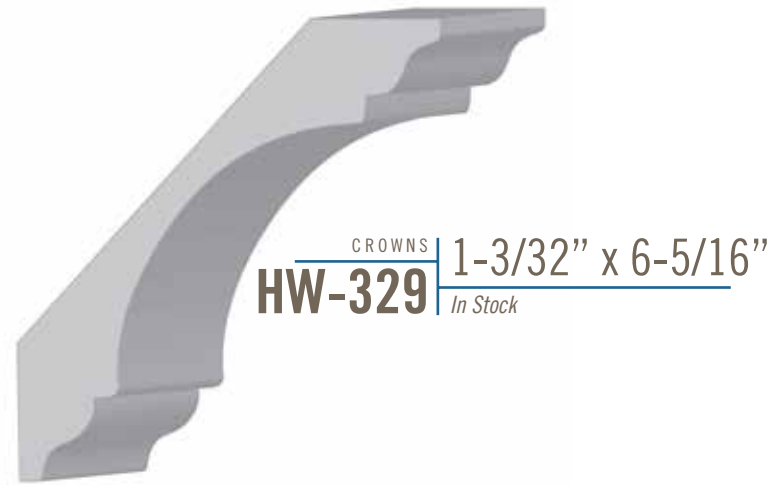
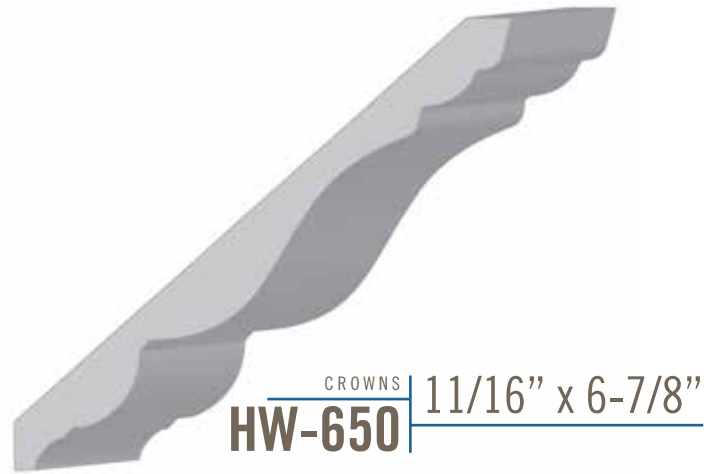
CROWNS  
**HW-74** | 9/16" x 1-3/4"



CROWNS  
**HW-50** | 1-7/16" x 5-1/4"

Mouldings offered/stocked in following species: Rustic Alder 8'-10' solid, Rustic Alder 16' jointed, Superior Alder, Soft Maple, Hard Maple, Red Oak, Poplar, African Mahogany, Sapelle, European Beech, and Walnut. Any other species will be quoted based on availability. \*Knife charges may apply on custom profiles. Please allow 2 week lead on all non-stocked profiles.

# CROWNS



Mouldings offered/stocked in following species: Rustic Alder 8'-10' solid, Rustic Alder 16' jointed, Superior Alder, Soft Maple, Hard Maple, Red Oak, Poplar, African Mahogany, Sapelle, European Beech, and Walnut. Any other species will be quoted based on availability. \*Knife charges may apply on custom profiles. Please allow 2 week lead on all non-stocked profiles.

# BASEBOARDS



BASEBOARDS  
**HW-B2** | 9/16" x 3-1/4"



BASEBOARDS  
**HW-B8** | 9/16" x 3-1/4"



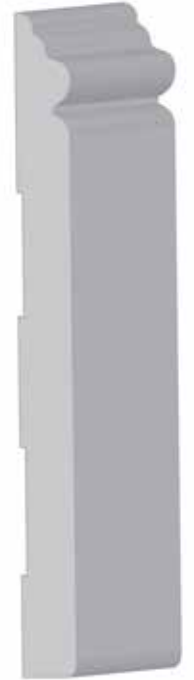
BASEBOARDS  
**HW-B422** | 1" x 4-1/2"



BASEBOARDS  
**HW-B22** | 1" x 4-7/8"



BASEBOARDS  
**HW-B218** | 9/16" x 5-1/4"



BASEBOARDS  
**HW-B695** | 9/16" x 6-1/2"



BASEBOARDS  
**HW-B11** | 1-1/16" x 4-1/2"



BASEBOARDS  
**HW-B12** | 9/16" x 4-1/2"



BASEBOARDS  
**HW-B211** | 9/16" x 3-1/4"



BASEBOARDS  
**HW-B322** | 9/16" x 3-1/4"



BASEBOARDS  
**HW-B522** | 9/16" x 4-1/2"



BASEBOARDS  
**HW-B20** | 1/2" x 3-1/4"



BASEBOARDS  
**HW-B21** | 9/16" x 2-3/4"

Mouldings offered/stocked in following species: Rustic Alder 8'-10' solid, Rustic Alder 16' jointed, Superior Alder, Soft Maple, Hard Maple, Red Oak, Poplar, African Mahogany, Sapelle, European Beech, and Walnut. Any other species will be quoted based on availability. \*Knife charges may apply on custom profiles. Please allow 2 week lead on all non-stocked profiles.

# CASINGS



CASINGS  
**HW-C2** | 11/16" x 2-1/4"



CASINGS  
**HW-C8** | 11/16" x 2-1/2"



CASINGS  
**HW-C82** | 5/8" x 2"



CASINGS  
**HW-C195** | 11/16" x 2-1/2"



CASINGS  
**HW-C11** | 1-1/16" x 3-1/2"



CASINGS  
**HW-C12** | 11/16" x 3-1/2"



CASINGS  
**HW-C196** | 1-1/8" x 3-9/16"  
*In Stock*



CASINGS  
**HW-C211** | 5/8" x 2-1/2"



CASINGS  
**HW-COLONIAL CASING** | 9/16" x 3-7/16"  
*More info/name*



CASINGS  
**HW-C13** | 19/32" x 3-1/2"



CASINGS  
**HW-C22** | 1" x 4"



CASINGS  
**HW-C214** | 9/16" x 2-1/4"

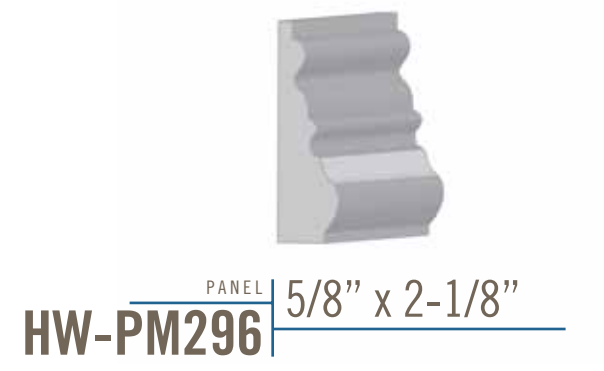
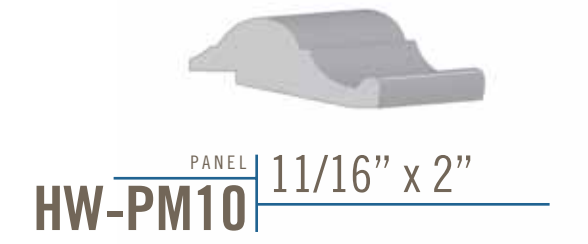
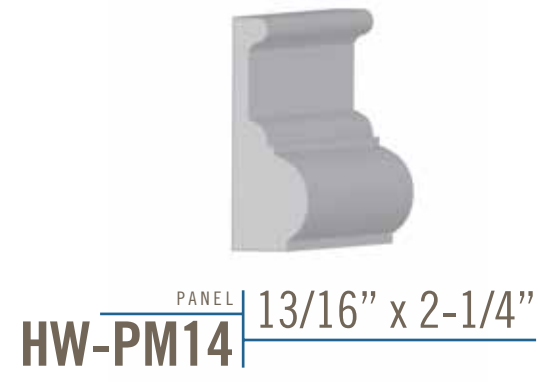
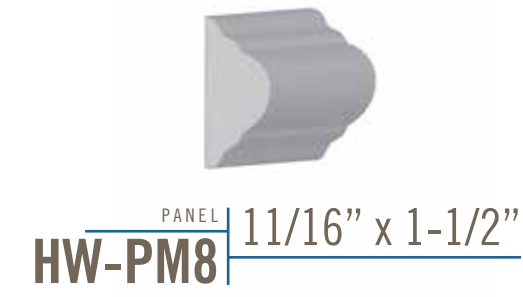
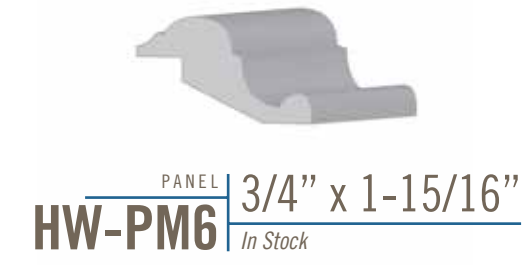
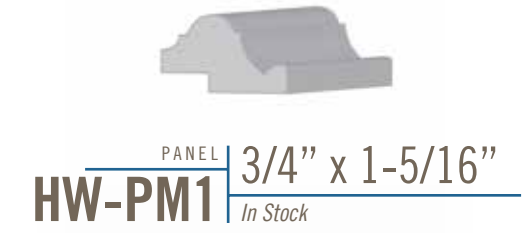
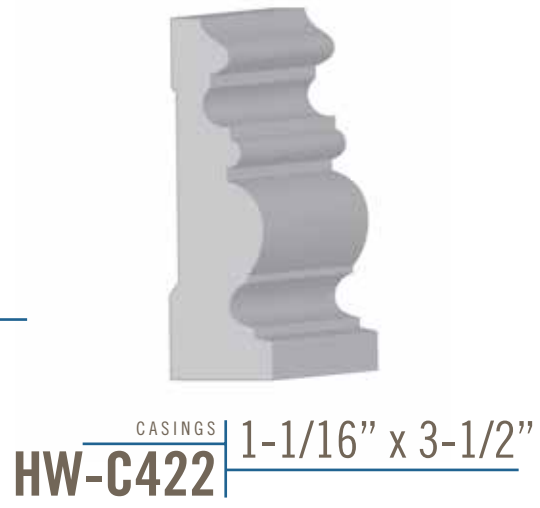


CASINGS  
**HW-C295** | 11/16" x 3-1/2"

Mouldings offered/stocked in following species: Rustic Alder 8'-10' solid, Rustic Alder 16' jointed, Superior Alder, Soft Maple, Hard Maple, Red Oak, Poplar, African Mahogany, Sapelle, European Beech, and Walnut. Any other species will be quoted based on availability. \*Knife charges may apply on custom profiles. Please allow 2 week lead on all non-stocked profiles.

# CASINGS

# PANEL



Mouldings offered/stocked in following species: Rustic Alder 8'-10' solid, Rustic Alder 16' jointed, Superior Alder, Soft Maple, Hard Maple, Red Oak, Poplar, African Mahogany, Sapelle, European Beech, and Walnut. Any other species will be quoted based on availability. \*Knife charges may apply on custom profiles. Please allow 2 week lead on all non-stocked profiles.

# DOOR

# COVE



<sup>DOOR</sup>  
**HW-DM1** | 1-1/16" x 2"



<sup>DOOR</sup>  
**HW-DM3** | 7/8" x 1-1/8"



<sup>DOOR</sup>  
**HW-DM4** | 11/16" x 1"



<sup>DOOR</sup>  
**HW-DM22** | 3/4" x 1-3/4"



<sup>DOOR</sup>  
**HW-DM96** | 3/4" x 2"



<sup>DOOR</sup>  
**HW-CM1** | 11/16" x 1-1/2"



<sup>DOOR</sup>  
**HW-CM4** | 3/8" x 5/8"



<sup>DOOR</sup>  
**HW-CM3** | 1/2" x 3/4"



<sup>DOOR</sup>  
**HW-CM9** | 3/4" x 1"



<sup>COVE</sup>  
**HW-101** | 1/2" x 1/2"  
*In Stock*



<sup>COVE</sup>  
**HW-92** | 3/4" x 7/8"



<sup>COVE</sup>  
**HW-85** | 9/16" x 1-3/4"



<sup>COVE</sup>  
**HW-83** | 9/16" x 2-3/4"

Mouldings offered/stocked in following species: Rustic Alder 8'-10' solid, Rustic Alder 16' jointed, Superior Alder, Soft Maple, Hard Maple, Red Oak, Poplar, African Mahogany, Sapelle, European Beech, and Walnut. Any other species will be quoted based on availability. \*Knife charges may apply on custom profiles. Please allow 2 week lead on all non-stocked profiles.



# CHAIR

# MITERS



<sup>CHAIR</sup>  
**HW-CR5** | 9/16" x 2-1/2"



<sup>CHAIR</sup>  
**HW-CR6** | 1-1/4" x 3-1/2"



<sup>CHAIR</sup>  
**HW-CR7** | 1-1/8" x 2-1/2"



<sup>CHAIR</sup>  
**HW-CAP1** | 9/16" x 2"



<sup>MITERS</sup>  
**HW-MD5** | 2-9/16" x 3/4"



<sup>MITERS</sup>  
**HW-MD18** | 2-1/2" x 13/16"



<sup>MITERS</sup>  
**HW-MD21** | 2-1/2" x 13/16"



<sup>MITERS</sup>  
**HW-MD28** | 2-1/2" x 1-1/16"



<sup>MITERS</sup>  
**HW-MDR5** | 1-5/8" x 3/4"



<sup>MITERS</sup>  
**HW-MDR18** | 1-5/8" x 13/16"



<sup>MITERS</sup>  
**HB-MDR21** | 1-5/8" x 13/16"

Mouldings offered/stocked in following species: Rustic Alder 8'-10' solid, Rustic Alder 16' jointed, Superior Alder, Soft Maple, Hard Maple, Red Oak, Poplar, African Mahogany, Sapelle, European Beech, and Walnut. Any other species will be quoted based on availability. \*Knife charges may apply on custom profiles. Please allow 2 week lead on all non-stocked profiles.



DECORATIVES  
**HW-M2-1** 1" x 4-1/2"  
*Available in flex mold*



DECORATIVES  
**HW-M2-131** 1" x 4-3/4"  
*Available in flex mold*



DECORATIVES  
**HW-M2-230** 3/4" x 4-1/4"  
*Available in flex mold*



DECORATIVES  
**HW-M3-229** 1-1/16" x 3-3/4"  
*Available in flex mold*



DECORATIVES  
**HW-M4-13** 7/8" x 2-3/4"  
*Available in flex mold*



DECORATIVES  
**HW-M5-24** 3/4" x 1-7/8"  
*Available in flex mold*

# DECORATIVES



DECORATIVES  
**HW-M5-72** 9/16" x 1-1/4"  
*Available in flex mold*



DECORATIVES  
**HW-M7-72** 3/4" x 1-7/8"  
*Available in flex mold*



DECORATIVES  
**HW-M7-130** 7/8" x 2"  
*Available in flex mold*

# DECORATIVES



DECORATIVES  
**HW-M8-89** 1-1/4" x 6-5/8"  
*Available in flex mold*



DECORATIVES  
**HW-M9-87** 1" x 6"  
*Available in flex mold*



DECORATIVES  
**HW-M10-14** 1" x 2-1/2"  
*Available in flex mold*

# DECORATIVES

# DECORATIVES



**HW-M10-84** DECORATIVES 1-1/16" x 4-1/2"  
*Available in flex mold*



**HW-M36-1120** DECORATIVES 1" x 8-1/2"  
*Available in flex mold*



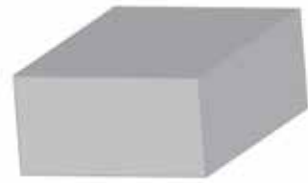
**HW-M15-220** DECORATIVES 1" x 8-1/2"  
*Available in flex mold*



**HW-M20-87** DECORATIVES 1" x 6"  
*Available in flex mold*



**HW-M1-SCREEN** DECORATIVES 9/16" x 3/4"  
*Available in flex mold*



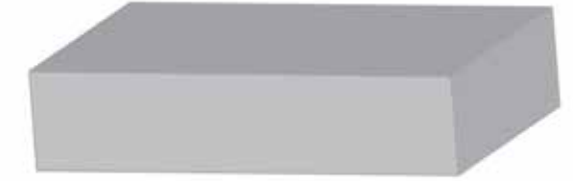
MISCELLANEOUS  
**HW-112** | 13/16" x 1-1/2"



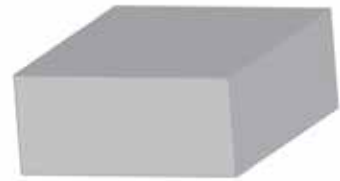
MISCELLANEOUS  
**HW-D112** | 13/16" x 1-1/2"



MISCELLANEOUS  
**HW-3** | 13/16" x 3"  
*In Stock*



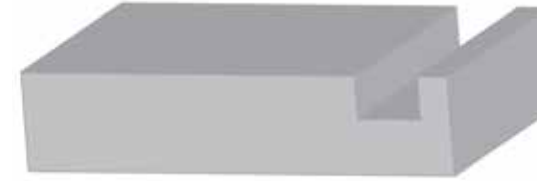
MISCELLANEOUS  
**HW-312** | 13/16" x 3-1/2"  
*In Stock*



MISCELLANEOUS  
**HW-134** | 13/16" x 1-3/4"



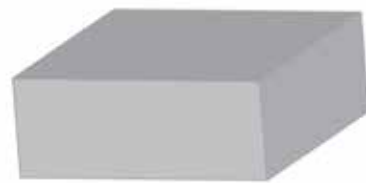
MISCELLANEOUS  
**HW-D134** | 13/16" x 1-3/4"



MISCELLANEOUS  
**HW-D312** | 13/16" x 3-1/2"  
*In Stock*



MISCELLANEOUS  
**HW-P3** | 13/16" x 3"  
*In Stock*



MISCELLANEOUS  
**HW-2** | 13/16" x 2"  
*In Stock*



MISCELLANEOUS  
**HW-212** | 13/16" x 2-1/2"  
*In Stock*



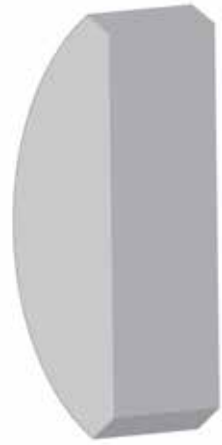
MISCELLANEOUS  
**HW-P4** | 13/16" x 4"  
*In Stock*



MISCELLANEOUS  
**HW-P5** | 13/16" x 5"  
*In Stock*

Mouldings offered/stocked in following species: Rustic Alder 8'-10' solid, Rustic Alder 16' jointed, Superior Alder, Soft Maple, Hard Maple, Red Oak, Poplar, African Mahogany, Sapelle, European Beech, and Walnut. Any other species will be quoted based on availability. \*Knife charges may apply on custom profiles. Please allow 2 week lead on all non-stocked profiles.

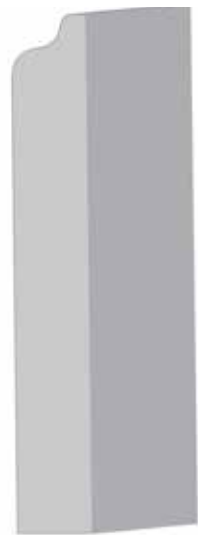
# MISCELLANEOUS



MISCELLANEOUS  
**HW-ROUND CORNER** | 3/4" x 2-7/8"



MISCELLANEOUS  
**HW-TILT ROD** | 7/16" x 9/16"



MISCELLANEOUS  
**HW-SHUTTER RAIL** | 3/4" x 5-1/4"



MISCELLANEOUS  
**HW-STEMWARY** | 3/4" x 3-1/2"



MISCELLANEOUS  
**HW-S4S** | 3/4" x 1"



MISCELLANEOUS  
**HW-SHOE** | 1/2" x 3/4"  
*In Stock*

# MISCELLANEOUS



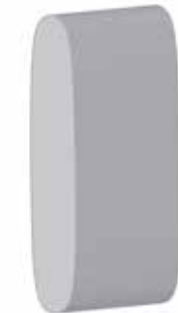
MISCELLANEOUS  
**HW-RABBED STILE** | 3/4" x 2"



MISCELLANEOUS  
**HW-RABBED STILE** | 1-1/16" x 2"



MISCELLANEOUS  
**HW-LOUVRE 1** | 3/8" x 1-7/8"



MISCELLANEOUS  
**HW-LOUVRE 2** | 3/8" x 2-1/2"



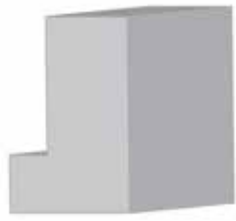
MISCELLANEOUS  
**HW-LOUVRE 3** | 3/8" x 3-1/2"



MISCELLANEOUS  
**HW-LOUVRE 4** | 3/8" x 4-1/2"

Mouldings offered/stocked in following species: Rustic Alder 8'-10' solid, Rustic Alder 16' jointed, Superior Alder, Soft Maple, Hard Maple, Red Oak, Poplar, African Mahogany, Sapelle, European Beech, and Walnut. Any other species will be quoted based on availability. \*Knife charges may apply on custom profiles. Please allow 2 week lead on all non-stocked profiles.

# MISCELLANEOUS



MISCELLANEOUS  
**HW-L FRAME** | 1-1/8" x 1-3/4"



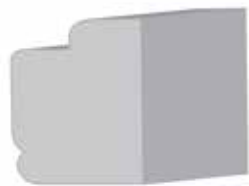
MISCELLANEOUS  
**HW-KNIFE** | 1/4" x 3/4"



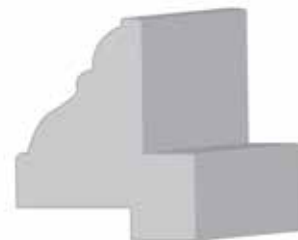
MISCELLANEOUS  
**HW-203** | 1-3/8" x 1-3/8"  
*1" Coverage*



MISCELLANEOUS  
**HW-204** | 1-1/4" x 1-1/4"  
*1" Coverage*



MISCELLANEOUS  
**HW-EZ FRAME** | 1-1/4" x 1-1/2"



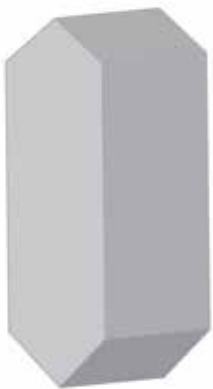
MISCELLANEOUS  
**HW-DECO FRAME** | 1-3/4" x 2"



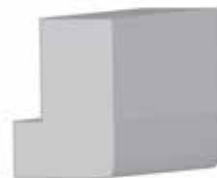
MISCELLANEOUS  
**HW-CM6** | 1" x 1-5/8"



MISCELLANEOUS  
**HW-CM11** | 7/8" x 1-3/8"



MISCELLANEOUS  
**HW-CORNER BLOCK** | 1-1/16" x 2-7/8"



MISCELLANEOUS  
**HW-Z FRAME BASE** | 7/8" x 1-5/16"  
*In Stock*



MISCELLANEOUS  
**HW-CC1** | 3/4" x 2-3/4"



MISCELLANEOUS  
**HW-CC4** | 3/4" x 2-3/4"

Mouldings offered/stocked in following species: Rustic Alder 8'-10' solid, Rustic Alder 16' jointed, Superior Alder, Soft Maple, Hard Maple, Red Oak, Poplar, African Mahogany, Sapelle, European Beech, and Walnut. Any other species will be quoted based on availability. \*Knife charges may apply on custom profiles. Please allow 2 week lead on all non-stocked profiles.



MISCELLANEOUS  
**HW-205** | 1" x 1"  
3/4" Coverage



MISCELLANEOUS  
**HW-105** | 3/4" x 3/4"  
(8065) In Stock



MISCELLANEOUS  
**HW-116** | 11/16" x 1-1/2"



MISCELLANEOUS  
**HW-233** | 1-3/8" x 1-3/8"



MISCELLANEOUS  
**HW-108** | 1/2" x 1/2"  
(8063)



MISCELLANEOUS  
**HW-127** | 7/16" x 3/4"  
(8422)



MISCELLANEOUS  
**HW-BUTT STILE** | 1-1/16" x 2"



MISCELLANEOUS  
**HW-137** | 3/8" x 3/4"



MISCELLANEOUS  
**HW-142** | 1/4" x 3/4"

Mouldings offered/stocked in following species: Rustic Alder 8'-10' solid, Rustic Alder 16' jointed, Superior Alder, Soft Maple, Hard Maple, Red Oak, Poplar, African Mahogany, Sapelle, European Beech, and Walnut. Any other species will be quoted based on availability. \*Knife charges may apply on custom profiles. Please allow 2 week lead on all non-stocked profiles.





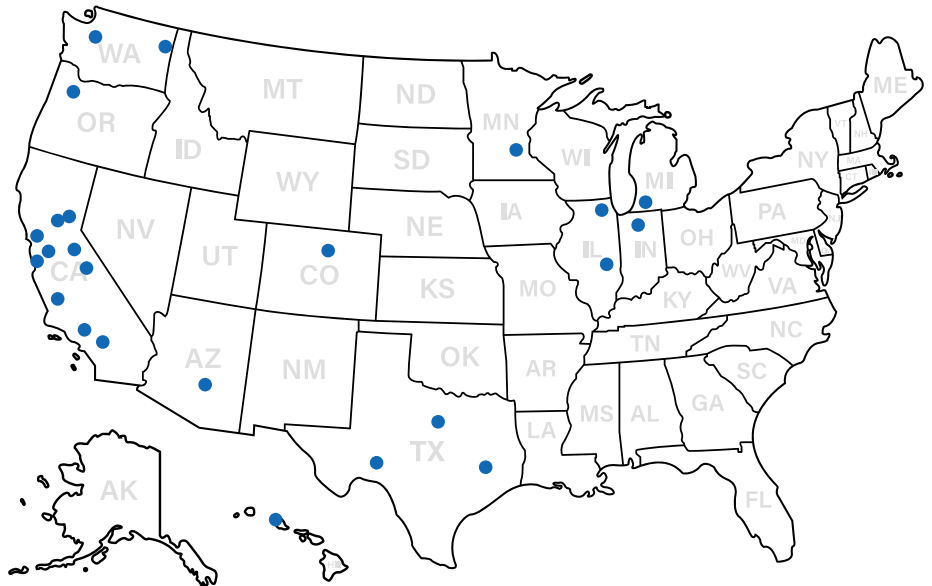
Arizona University

## TEXAS BRANCHES

Dallas, TX  
817-633-8333

Houston, TX  
832-200-3555

San Antonio, TX  
210-661-4921



**HARDWOODS®**  
Materials That Inspire

SEARCH



[hardwoods-inc.com](https://www.hardwoods-inc.com)



888.826.5528

BE INSPIRED



[designonesource.com](https://www.designonesource.com)



[info@hardwoods-inc.com](mailto:info@hardwoods-inc.com)

CORPORATE



[hdidist.com](https://www.hdidist.com)