

# RUGBY®

Architectural Building Products



**PRIDE INDUSTRIAL**  
DECORATIVE FUNCTIONAL HARDWARE & MORE

# FUNCTIONAL HARDWARE CATALOG



**Pride Industrial LLC** believes in quality, honesty, and dependability. We are proud to provide our customers with consistent, reliable functional and decorative hardware products. We uphold high levels of service and accountability to the industry we serve.

**Functional and Decorative Hardware- Warranty Information**

As you would expect, Pride Industrial LLC, warrants our functional and decorative hardware against defects in material and workmanship for so long as the original purchaser owns them. This warranty does not cover functional and decorative products which have been damaged due to abuse, improper installation, excessive loads, or any use contrary to the proper method. Pride Industrial LLC will send the original purchaser a replacement of the same model or a comparable model at no cost. This warranty is for product replacement only and does not cover the cost of removal, installation, or incidental charges.

This warranty does not apply when the item has been tampered with, misused, improperly installed, altered from the original form, or damaged through improper cleaning, abuse or accident.

If you unfortunately are to encounter a defective hardware item, please contact our Customer Service team at (909) 334-4388 for instruction on the warranty claim.

**Industry Core Products**- including institutional and soft-close hinges, drawer slides, shelf supports, decorative hardware, catches and much more

**Independent Product Testing**- meeting or exceeding ANSI/BHMA industry standards

**Winning Advantages**- solid customer support to make success the reality



**4-9  
SLIDES**

**10-21  
HINGES**

**22-24  
CLOSET ROD COLLECTION**

**25  
LAZY SUSANS**

**26  
L-BRACKETS & MENDING PLATES**

**27-28  
SHELF SUPPORTS**

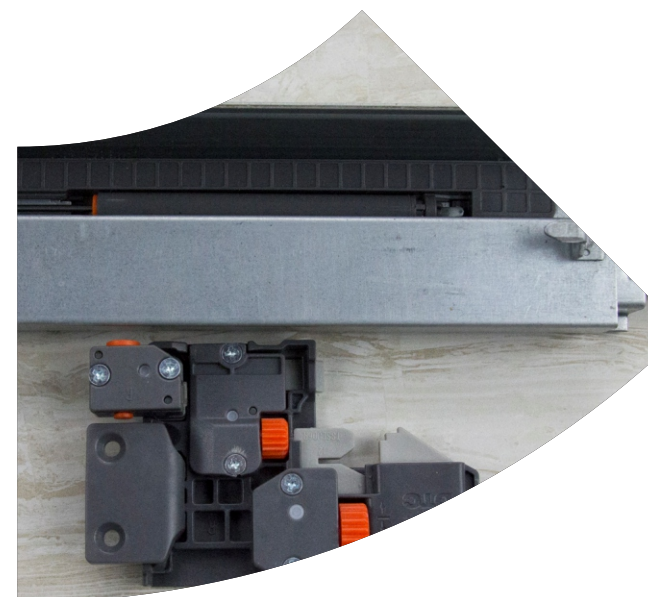
**29-30  
RTA CATCHES**

**31  
LOCKS & SWIVELS**

**32-33  
GROMMETS**

**34  
TRASH RINGS**

**35  
BUMPERS & FELT PADS**





# SOFT-CLOSE UNDERMOUNT SLIDE PERFORM PRO 2X

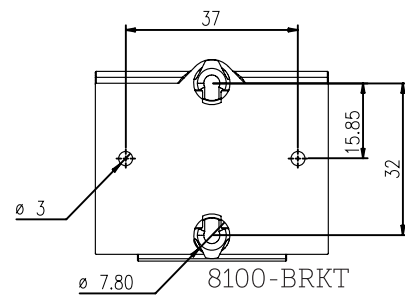
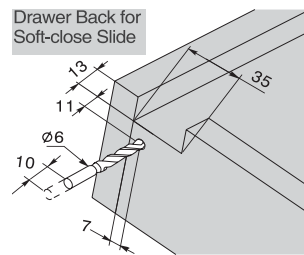
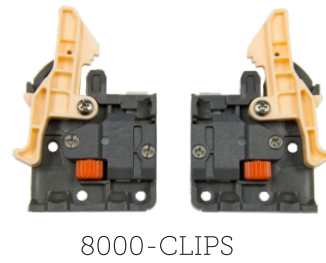
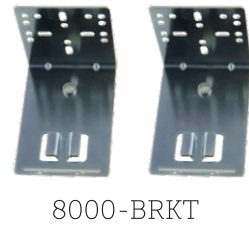
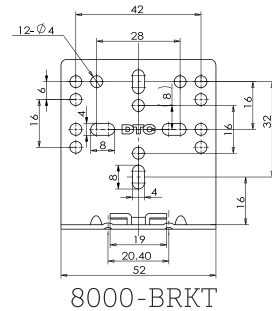
8000 SERIES

## Model: # 8000 Soft Close Concealed Undermount

- \* 2-Way adjustable
- \* Full Extension
- \* Under Mounted
- \* Lever Disconnect

- \* Size: 12" ~ 21"
- \* Load Capacity: 90 lbs
- \* Material: Cold Rolled Steel
- \* Case: 6 Pairs

ITEM NUMBER	
8000-12-SOFT	
8000-15-SOFT	
8000-18-SOFT	
8000-21-SOFT	
8000-CLIPS	(100 PAIRS)
8000-BRKT	(200 PCS)
8100-BRKT	(90 PAIRS)

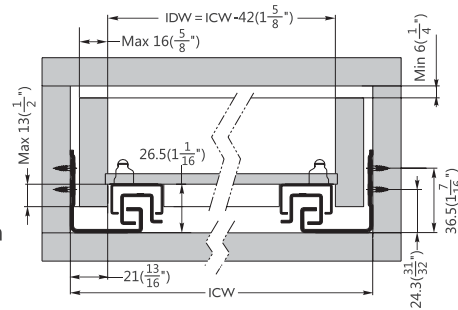


### Outside Drawer Width

Drawer side Thickness	5/8" (16mm)	1/2" (13mm)
Inside Cabinet Width Deduction	3/8" (10mm)	5/8" (16mm)

Drawer length	Runner length	Internal Cabinet Depth	
		Max	Min
(12")	317(12 1/2")	369(14 9/16")	326(12 7/8")
(15")	394(15 1/2")	446(17 9/16")	403(15 7/8")
(18")	470(18 1/2")	522(20 9/16")	479(18 7/8")
(21")	546(21 1/2")	598(23 9/16")	555(21 7/8")

Installation for drawers between 12.7mm-16mm thick drawer sides  
IDW= Internal Drawer Width  
ICW= Internal Cabinet Width



# SOFT-CLOSE UNDERMOUNT SLIDE PERFORM PRO 6X

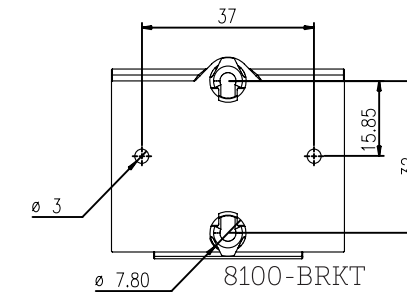
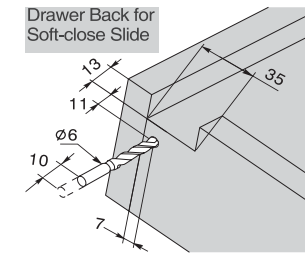
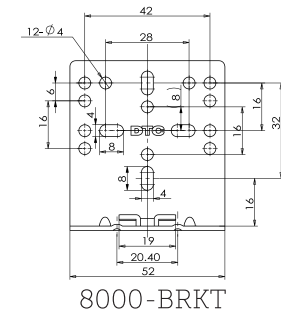
8800 SERIES

## Model: # 8800 Soft Close Undermount Slide with 3-D Locking Device

- \* 6-Way adjustable
- \* Full Extension
- \* Under Mounted
- \* Lever Disconnect

- \* Size: 9" ~ 21"
- \* Load Capacity: 100 lbs
- \* Material: Cold Rolled Steel
- \* Case: 6 Pairs

ITEM NUMBER	
8800-9-SOFT	
8800-12-SOFT	
8800-15-SOFT	
8800-18-SOFT	
8800-21-SOFT	
8800-CLIPS	(100 PAIRS)
8000-BRKT	(200 PCS)
8100-BRKT	(90 PAIRS)

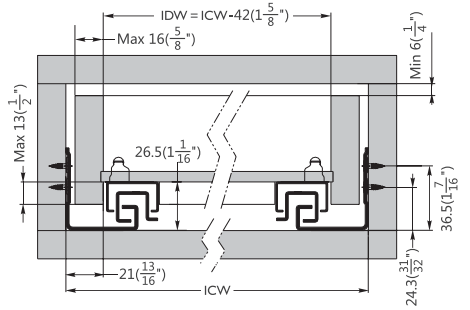


### Outside Drawer Width

Drawer side Thickness	5/8" (16mm)	1/2" (13mm)
Inside Cabinet Width Deduction	3/8" (10mm)	5/8" (16mm)

Drawer length	Runner length	Internal Cabinet Depth	
		Max	Min
(12")	317(12 1/2")	369(14 9/16")	326(12 7/8")
(15")	394(15 1/2")	446(17 9/16")	403(15 7/8")
(18")	470(18 1/2")	522(20 9/16")	479(18 7/8")
(21")	546(21 1/2")	598(23 9/16")	555(21 7/8")

Installation for drawers between 12.7mm-16mm thick drawer sides  
IDW= Internal Drawer Width  
ICW= Internal Cabinet Width



# SOFT-CLOSE UNDERMOUNT SLIDE ADVANTAGE PRO

7800 SERIES

## Model: # 7800 Soft Close Undermount Slide W/Clips & Rear Brackets

- \* 2-Way adjustable
- \* Rear metal bracket included
- \* Under Mounted
- \* Lever Disconnect

- \* Size: 12" ~ 21"
- \* Load Capacity: 75 lbs
- \* Material: Cold Rolled Steel
- \* Case: 6 Pairs

### ITEM NUMBER

- 7800-12-SOFT
- 7800-15-SOFT
- 7800-18-SOFT
- 7800-21-SOFT
- 7800-BRKT (200 PCS)
- 7800-EUBRKT (200 PCS)



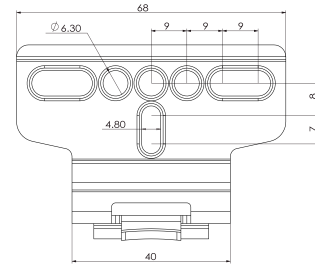
INCLUDED



7800-BRKT  
INCLUDED



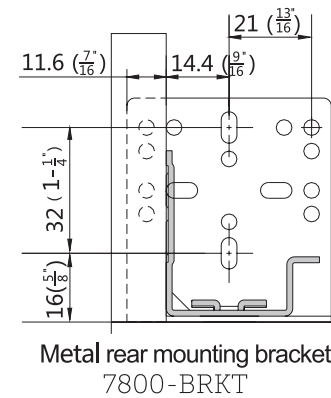
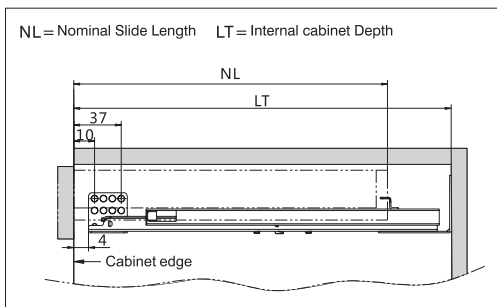
7800-EUBRKT  
OPTIONAL  
FRAMELESS APPLICATION  
REAR BRACKET



7800-EUBRKT

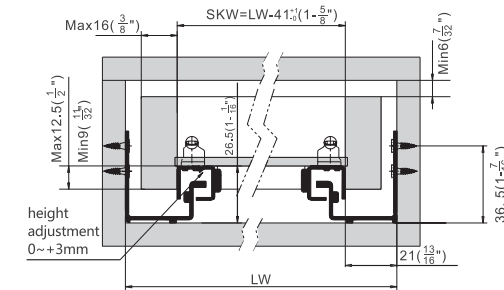
### Outside Drawer Width

Drawer side Thickness	5/8" (16mm)	1/2" (13mm)
Inside Cabinet Width Deduction	3/8" (10mm)	5/8" (16mm)



Metal rear mounting bracket  
7800-BRKT

SKW = Internal Drawer Width    LW = Internal Cabinet Width



# SOFT-CLOSE SIDE MOUNT SLIDE SOFT PRO X

4903 SERIES

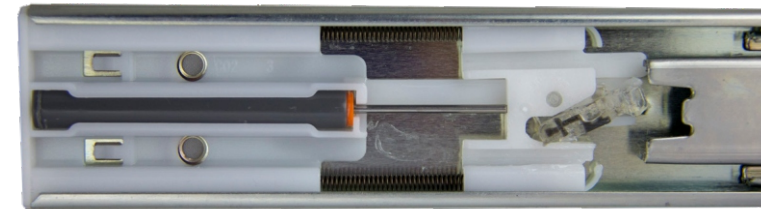
## Model: # 4903 Soft Close Ballbearing Slide

- \* Full Extension
- \* Side Mounted
- \* 46mm Height
- \* Soft Close
- \* 12.7mm Side Clearance
- \* Case: 10 Pairs

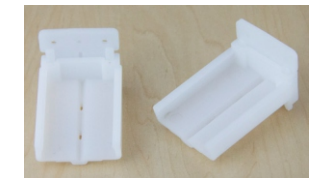
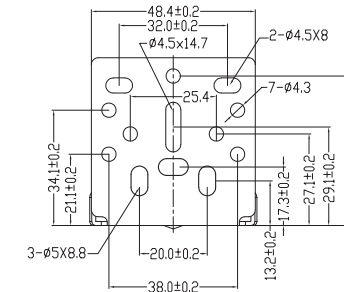
- \* Finish: Zinc
- \* Lever Disconnect
- \* Size: 10" ~ 28"
- \* Load Capacity: 100 lbs
- \* Material: Cold Rolled Steel

### ITEM NUMBER

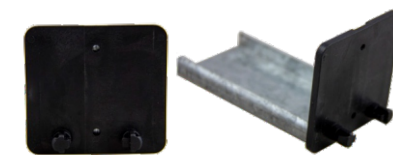
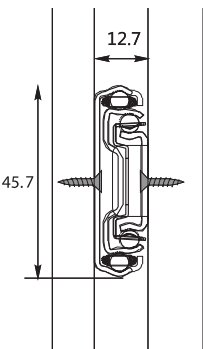
- 4903-10-ZP
- 4903-12-ZP
- 4903-14-ZP
- 4903-16-ZP
- 4903-18-ZP
- 4903-20-ZP
- 4903-22-ZP
- 4903-24-ZP
- 4903-26-ZP
- 4903-28-ZP
- 4903-BRKT (200 PCS)
- 4903-SKT (250 PAIRS)
- 4903-BRKTPI (100 PCS)
- 4903-BRKTISO (100 PCS)



4903-BRKT



4903-SKT  
Adjustable rear plastic socket



4903-BRKTPI  
Plug In Rear Adjustable Socket

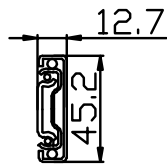


4903-BRKTISO  
Screw On Rear Adjustable Socket



### Model: # 4600 Standard Ball Bearing Slide

- \* Full Extension
- \* Side Mounted
- \* 46mm Height
- \* Flat Sided Profile
- \* 12.7mm Side Clearance
- \* Case: 10 Pairs
- \* Finish: Zinc or Black
- \* Lever Disconnect
- \* Size: 10" ~ 28"
- \* Load Capacity: 100 lbs
- \* Material: Cold Rolled Steel
- \* OT = 1.5" Over Travel



**ITEM NUMBER BK**

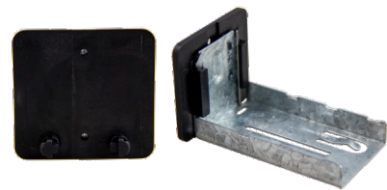
- 4600-10-BK
- 4600-12-BK
- 4600-14-BK
- 4600-14-BKOT
- 4600-16-BK
- 4600-16-BKOT
- 4600-18-BK
- 4600-20-BK
- 4600-20-BKOT
- 4600-22-BK
- 4600-24-BK
- 4600-26-BK
- 4600-28-BK

**ITEM NUMBER ZP**

- 4600-10-ZPOT
- 4600-12-ZP
- 4600-12-ZPOT
- 4600-14-ZPOT
- 4600-16-ZPOT
- 4600-18-ZPOT
- 4600-20-ZPOT
- 4600-22-ZPOT
- 4600-24-ZPOT
- 4600-26-ZPOT
- 4600-28-ZPOT
- 4600-BRKT (100 PCS)
- 4600-BRKTPI (100 PCS)
- 4600-BRKTSO (100 PCS)



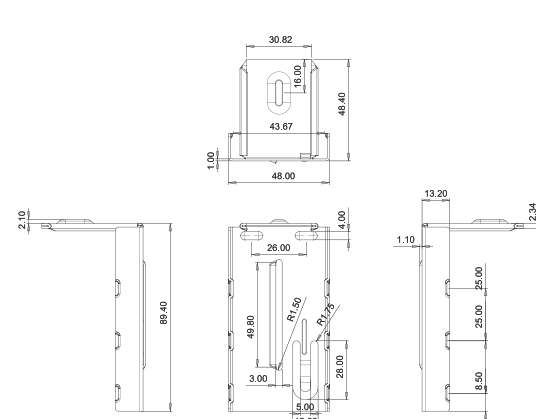
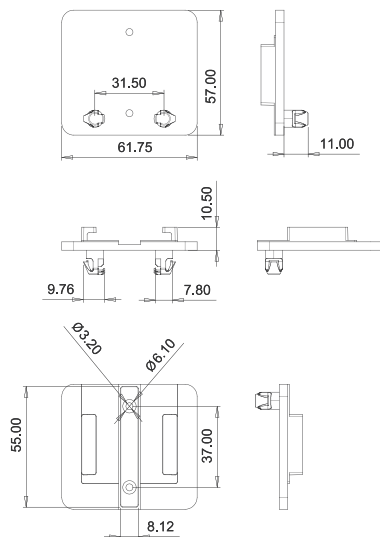
4600-BRKT



4600-BRKTPI  
Plug In Rear Adjustable Socket

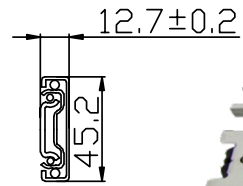


4600-BRKTSO  
Screw On Rear Adjustable Socket



### Model: # 4800 Standard Ball Bearing Slide

- \* Full Extension
- \* Side Mounted
- \* 46mm Height
- \* Round Sided Profile
- \* 12.7mm Side Clearance
- \* Case: 10 Pairs
- \* Finish: Zinc
- \* Lever Disconnect
- \* Size: 10" ~ 24"
- \* Load Capacity: 100 lbs
- \* Material: Cold Rolled Steel
- \* OT = 1.5" Over Travel



**ITEM NUMBER**

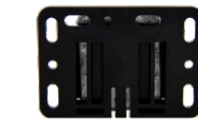
- 4800-8-ZP
- 4800-10-ZP
- 4800-12-ZP
- 4800-14-ZPOT
- 4800-16-ZPOT
- 4800-18-ZPOT
- 4800-20-ZPOT
- 4800-22-ZPOT
- 4800-24-ZPOT
- 4800-BRKT (100 PCS)
- 4800-BRKTPI (100 PCS)
- 4800-BRKTSO (100 PCS)



4800-BRKT



4800-BRKTPI  
Plug In Rear Adjustable Socket



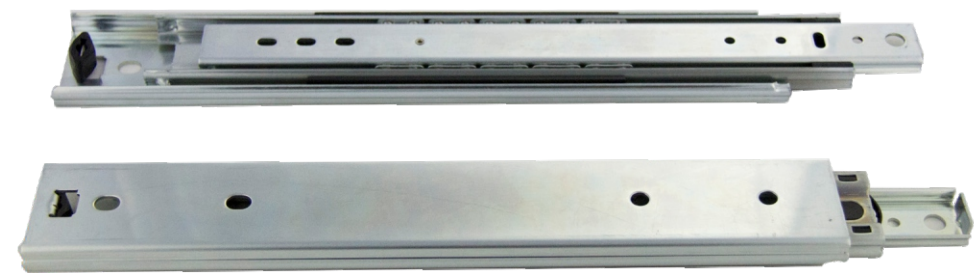
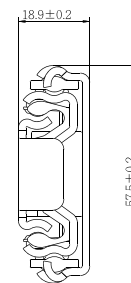
4800-BRKTSO  
Screw On Rear Adjustable Socket



4903-SKT

### Model: # 5890 Heavy Duty Ball Bearing Slide

- \* Full Extension
- \* Side Mounted
- \* 58mm Height
- \* Round Sided Profile
- \* 19mm Side Clearance
- \* Case: 5 Pairs
- \* Finish: Zinc
- \* Lever Disconnect
- \* Size: 10" ~ 36"
- \* Load Capacity: 250 lbs
- \* Material: Cold Rolled Steel



**ITEM NUMBER**

- 5890-10-ZP
- 5890-12-ZP-2
- 5890-14-ZP-2
- 5890-16-ZP-2
- 5890-18-ZP-2
- 5890-20-ZP-2
- 5890-22-ZP-2
- 5890-24-ZP-2
- 5890-26-ZP-2
- 5890-28-ZP-2
- 5890-30-ZP-2
- 5890-32-ZP-2
- 5890-34-ZP-2
- 5890-36-ZP-2



## 44 SERIES HINGE



## PIVOT STAR HINGE SERIES

### STANDOUT FEATURES INCLUDE

- ☀ **Speed adjustment cam screw enables hinge to handle multiple door weights.**
- ☀ **Patented piston & mechanism allows consistent opening and closing at uniform speed without the feeling of pausing.**
- ☀ **Less than 0.5mm door gap.**
- ☀ **All new SNAP-FIT structure**

ALL NEW SNAP-FIT STRUCTURE.  
THE CONNECTIONS ARE TIGHT AND SECURE.  
INSTALLATION AND DISMANTLING ARE MORE CONVENIENT.

It is quick to install and quick to disassemble.  
The exquisite snap-fit design makes installation simple and convenient.

### RUST RESISTANT WITHSTANDS HIGH AND LOW TEMPERATURES

The hinges have achieved the testing standard for 30 hours of acidity  
The damping effects are good under environmental testing at high temperatures of +122° F and low temperatures of -22° F

Opening the door is light and gentle, and the peak value of the door opening force is lower than 18.5 N

Closing the door is smooth, and the door is closed at a uniform speed without any feeling of pausing  
The door closing time is 3-5 seconds

### EUROPLATE & FACE-FRAME PLATES

#### GAP FOR DOOR OPENING

Owing to the meticulous design for the motion track, the gap at the door side is nearly invisible. When the door panel thickness is 19 mm and K = 5, the door side crack is only 1.4 mm

#### THE DOOR CLOSING SPEED IS ADJUSTABLE

One hinge for multiple door applications.

## PIVOT STAR HINGE

### FULL OVERLAY



110° F/O Soft Close hinge  
W/Speed Adjustment

4411-SC No Dowels  
4411-8D-SC With Dowels

CASE QTY 200

### HALF OVERLAY



110° H/O Soft Close Hinge  
W/Speed Adjustment

4422-SC No Dowels  
4422-8D-SC With Dowels

CASE QTY 200

### INSET

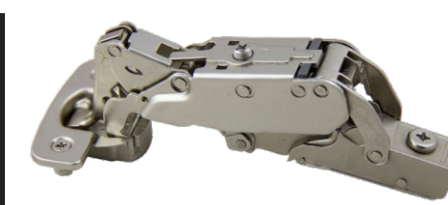


110° Inset Soft Close Hinge  
W/Speed Adjustment

4433-SC No Dowels  
4433-8D-SC With Dowels

CASE QTY 200

### 165° HINGE



165° Soft Close hinge  
W/Speed Adjustment

4465-SC  
4465-8D-SC

No Dowels  
With Dowels

### FRAMELESS STEEL PLATE



0mm Soft Close Box Clip  
Plate for Pivot Star Hinge

4400 No Screws  
4400.S System Screws

### FRAMELESS STEEL PLATE W/CAM ADJUSTMENT



0mm Soft Close  
Cam Adj Box Clip Plate

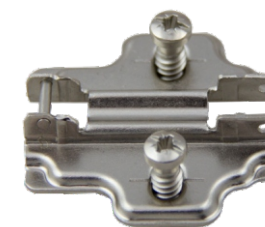
4400-CAM No Screws  
4400-CAM.S System Screws

### FACE FRAME PLATE



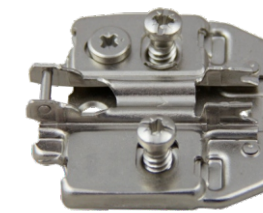
Soft Close Face Frame Plate  
for Pivot Star Hinge

4401 1mm  
4403 3mm



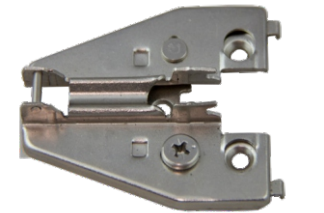
2mm Soft Close Box Clip  
Plate for Pivot Star Hinge

4402 No Screws  
4402.S System Screws



2mm Soft Close Cam Adj Box  
Clip Plate

4402-CAM No Screws  
4402-CAM.S System Screws



Soft Close Face Frame Plate  
with Cam Adjustment

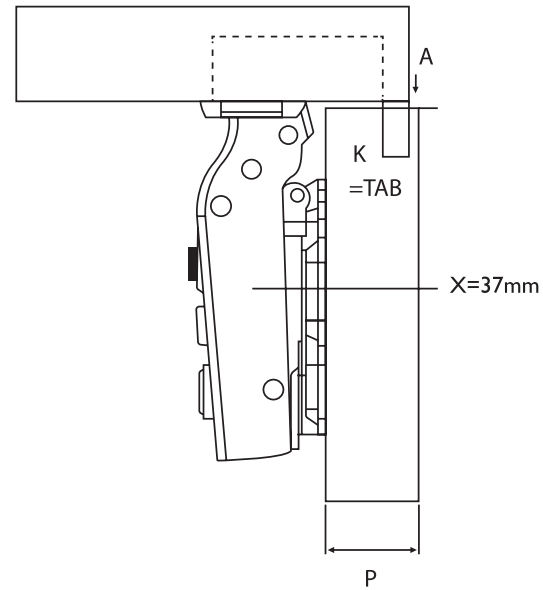
4401-CAM 1mm  
4403-CAM 3mm

### FF PLATE WITH CAM ADJUSTMENT



SOFT-CLOSE HINGES  
**PIVOT-STAR**  
 44 SERIES

**FULL OVERLAY**

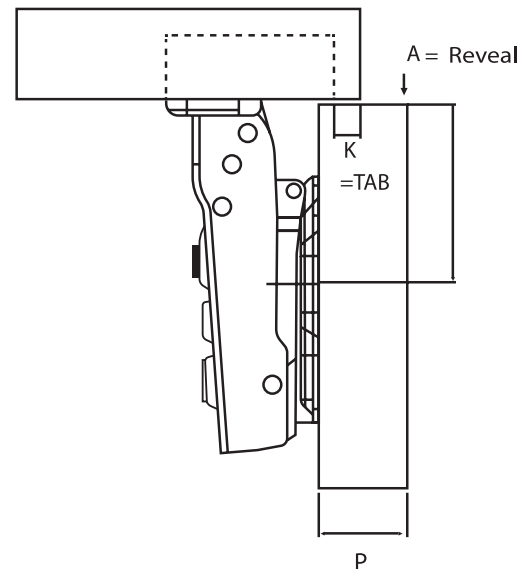


P=	16	17	18	19
K=3 A=	1	2	3	4
K=4 A=	0	1	2	3
K=5 A=	-1	0	1	2
K=6 A=	-2	-1	0	1

P = Cabinet Panel Thickness  
 A = Cabinet Panel Reveal when door is closed  
 K = Tab or Drilling Distance from edge of door

Constant Distance  
 Full Overlay 12mm

**HALF OVERLAY**



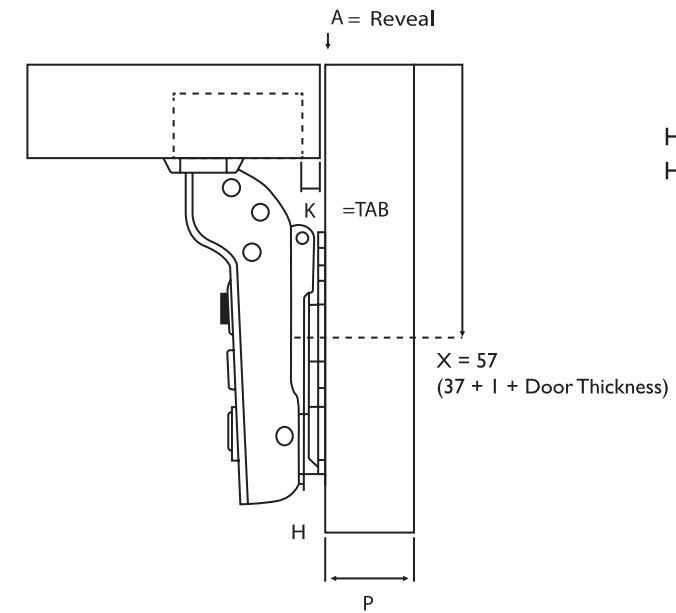
P=	16	17	18	19
K=3 A=	10	11	12	13
K=4 A=	9	10	11	12
K=5 A=	8	9	10	11
K=6 A=	7	8	9	10

P = Cabinet Panel Thickness  
 A = Cabinet Panel Reveal when door is closed  
 K = Tab or Drilling Distance from edge of door

Constant Distance  
 Half Overlay 3mm

**CONCEALED HINGE PRODUCT SPECIFICATIONS**

**INSET**

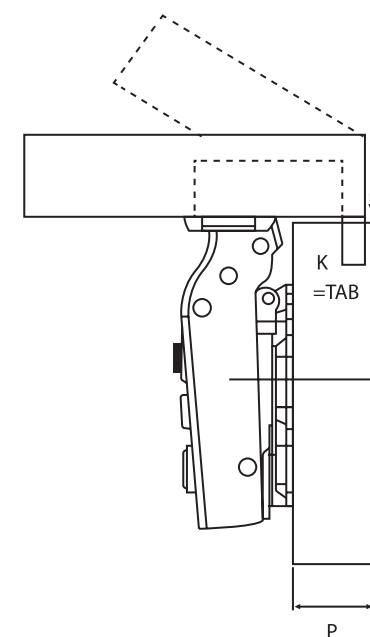


	K Distance	K=3	K=4	K=5	K=6
H=0 A=		3	2	1	0
H=2 A=		5	4	3	2

(H= Plate Thickness)  
 P = Cabinet Panel Thickness  
 A = Cabinet Panel Reveal when door is closed  
 K = Tab or Drilling Distance from edge of door

Constant Distance  
 Inset -6mm

**SPACE NEEDED TO OPEN THE DOOR**



T=	16	17	18	19	20
K=3 A=	0.7	0.9	1.2	1.5	1.8
K=4 A=	0.7	0.9	1.1	1.4	1.8
K=5 A=	0.6	0.9	1.1	1.4	1.7
K=6 A=	0.6	0.8	1.1	1.3	1.6

- T = Door thickness | - K = Drilling distance

SOFT-CLOSE HINGES  
**SFX SERIES**  
 33 SERIES

SOFT-CLOSE HINGES  
**SLX SERIES**  
 34 SERIES

**FULL OVERLAY**



110° Soft Close Clip-On  
 CAM Hinge Full Overlay  
**3311-SC** No Dowels  
**3311-8D-SC** With Dowels

**CASE QTY** 200

**FULL OVERLAY**



110 Deg +3mm Assembled  
 Soft Close Hinge & Plate W/  
 Dowels  
**33118DSC+3303CAMSC**

**CASE QTY** 200

**FULL OVERLAY**



110 SLX Series Self Close  
 Clip Hinge Full Overlay /  
 works with Soft Close plates  
**3411** No Dowels  
**3411-8D** With Dowels

**CASE QTY** 200

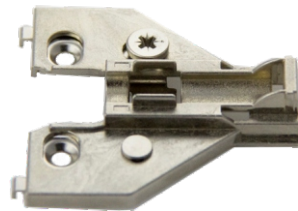
**FULL OVERLAY**



110 Deg +3mm SLX Series  
 Assembled Self Close Hinge  
 & Plate W/Dowels  
**34118DSC+3303CAMSC**

**CASE QTY** 200

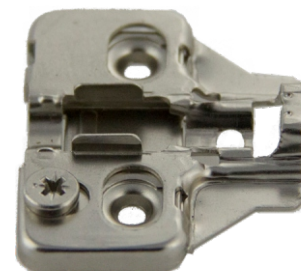
**FF PLATE WITH CAM ADJUSTMENT**



Cam Soft Close Face Frame  
 Clip Plate  
**3300CAM-SC** 0mm 5/8" Overlay  
**3303CAM-SC** 3mm 1/2" Overlay  
**3306CAM-SC** 6mm 3/8" Overlay  
**CASE QTY** 200

**COMPATIBLE WITH SFX & SLX**

**FRAMELESS STEEL PLATE  
 W/CAM ADJUSTMENT**



0mm Soft Close Cam  
 Adjustable Euro Box Clip  
 Plate. 3/4" OL  
**96T00TQ**  
**96T02TQ** Euro Screws  
**CASE QTY** 200

**COMPATIBLE WITH SFX & SLX**

**FACE FRAME PLATE**



Soft Close Face Frame Clip Plate  
**3300-SC** 1mm 5/8" Overlay  
**3303-SC** 3mm 1/2" Overlay

**CASE QTY** 200

**COMPATIBLE WITH SFX & SLX**

**165° HINGE**

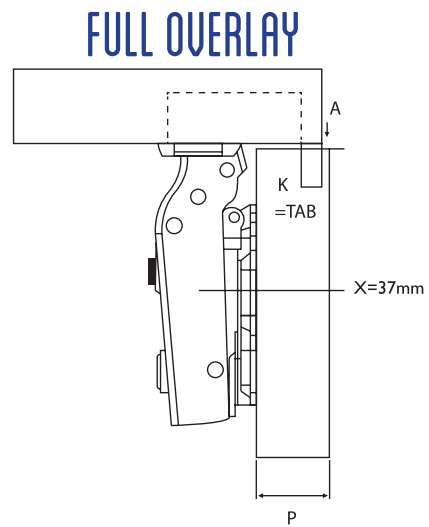


165 SFX Series Soft Close  
 Clip-On CAM Hinge F/O w/  
 8mm Dowels  
**33165-8D-SC**

**CASE QTY** 100



SOFT-CLOSE HINGES  
**SFX SERIES**  
33 SERIES

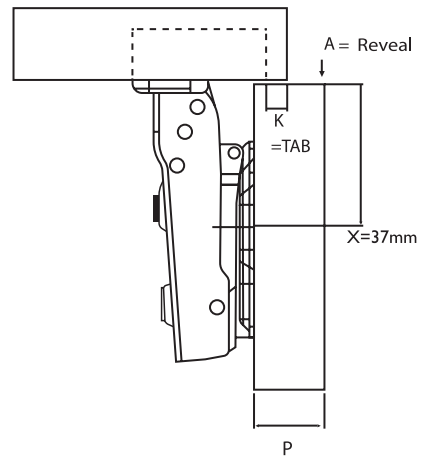


P=	16	17	18	19
K=3 A=	1	2	3	4
K=4 A=	0	1	2	3
K=5 A=	-1	0	1	2
K=6 A=	-2	-1	0	1

P = Cabinet Panel Thickness  
A = Cabinet Panel Reveal when door is closed  
K = Tab or Drilling Distance from edge of door

Constant Distance  
Full Overlay 12mm

**HALF OVERLAY**

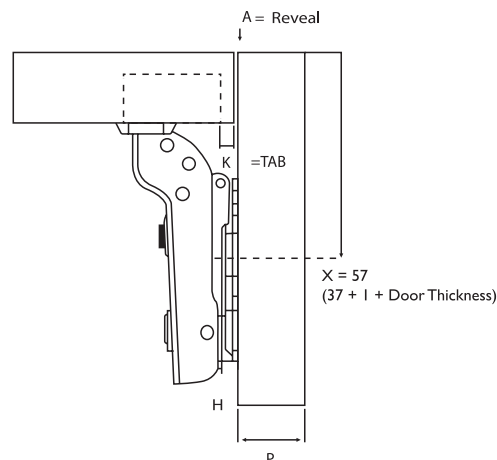


P=	16	17	18	19
K=3 A=	10	11	12	13
K=4 A=	9	10	11	12
K=5 A=	8	9	10	11
K=6 A=	7	8	9	10

P = Cabinet Panel Thickness  
A = Cabinet Panel Reveal when door is closed  
K = Tab or Drilling Distance from edge of door

Constant Distance  
Half Overlay 3mm

**INSET**



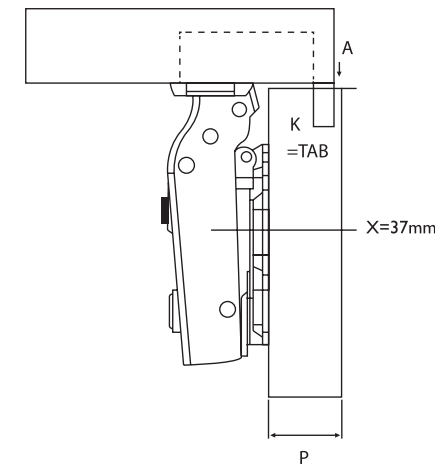
K Distance	K=3	K=4	K=5	K=6
H=0 A=	3	2	1	0
H=2 A=	5	4	3	2

(H= Plate Thickness)  
P = Cabinet Panel Thickness  
A = Cabinet Panel Reveal when door is closed  
K = Tab or Drilling Distance from edge of door

Constant Distance  
Inset -6mm

PRIDE LINE HINGES  
**SDX SERIES**  
60 SERIES

**FULL OVERLAY**

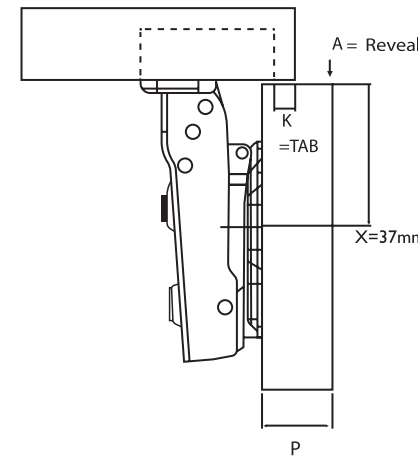


P=	16	17	18	19
K=3 A=	1	2	3	4
K=4 A=	0	1	2	3
K=5 A=	-1	0	1	2
K=6 A=	-2	-1	0	1

P = Cabinet Panel Thickness  
A = Cabinet Panel Reveal when door is closed  
K = Tab or Drilling Distance from edge of door

Constant Distance  
Full Overlay 12mm

**HALF OVERLAY**

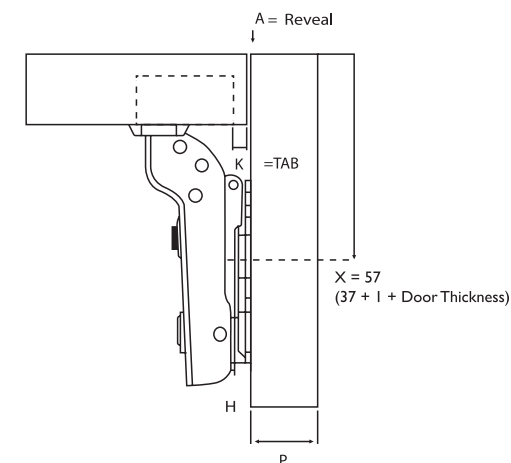


P=	16	17	18	19
K=3 A=	10	11	12	13
K=4 A=	9	10	11	12
K=5 A=	8	9	10	11
K=6 A=	7	8	9	10

P = Cabinet Panel Thickness  
A = Cabinet Panel Reveal when door is closed  
K = Tab or Drilling Distance from edge of door

Constant Distance  
Half Overlay 3mm

**INSET**



K Distance	K=3	K=4	K=5	K=6
H=0 A=	3	2	1	0
H=2 A=	5	4	3	2

(H= Plate Thickness)  
P = Cabinet Panel Thickness  
A = Cabinet Panel Reveal when door is closed  
K = Tab or Drilling Distance from edge of door

Constant Distance  
Inset -6mm

PRIDE LINE HINGES  
**SDX SERIES**  
 60 SERIES

FULL OVERLAY 110°



Click On Hinge 110°, FO, SC,  
**#633A.CL** No Dowels  
**#634A.CL** With Dowels

**CASE QTY** 200

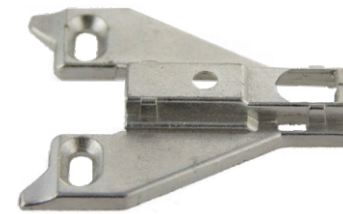
FULL OVERLAY 120°



Click On Hinge 120°, FO, SC  
**#649A.CL** No Dowels  
**#659A.CL** With Dowels

**CASE QTY** 200

FACE-FRAME PLATES



Click On 0mm  
 Face Frame Plate

**FCL.0** 5/8" Overlay  
**FCL.3** 1/2" Overlay  
**FCL.6** 3/8" Overlay

**CASE QTY** 200



Click On 0mm  
 Steel Face Frame Plate

**FCL.S.0** 5/8" Overlay  
**FCL.S.3** 1/2" Overlay  
**FCL.S.6** 3/8" Overlay

**CASE QTY** 200

FRAMELESS STEEL PLATE



Click On Steel Box Plate.  
 3/4" OL for frameless  
 cabinets

**CLK.0** 0mm

**CASE QTY** 200

FRAMELESS STEEL PLATE



Click On Stamped Steel Box  
 Plate. 5/8" OL for  
 frameless cabinets

**CLK.OS** 0mm

**CASE QTY** 200

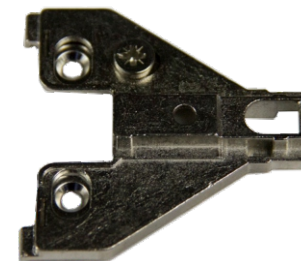
FRAMELESS STEEL PLATE  
 W/CAM ADJUSTMENT



Steel Box Plate  
 w/ Cam Adjustment without screw

**T00TQ** 0mm  
**T02TQ** 0mm with dowel

**CASE QTY** 200



CAM Click On  
 Face Frame Plate

**FCLCAM.0** 0mm 5/8" OL  
**FCLCAM.3** 3mm 1/2" OL

**CASE QTY** 200

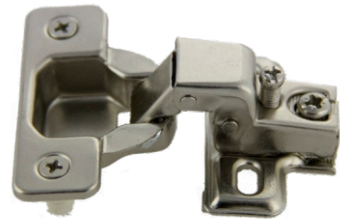


**COMPACT FACE FRAME HINGES**  
SHORT ARM HINGES



4 Way 2 Cam Adjustable  
1 pc Face Frame Hinge  
1-1/4" OL  
**H297** No Dowels  
**H297-D** With Dowels  
  
**CASE QTY** 200

**INSTITUTIONAL HINGES**



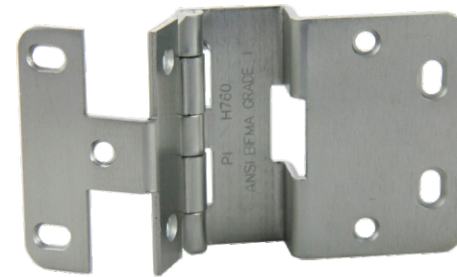
Short Arm Face Frame  
Hinge w/ STEEL PLATE  
**H280.S-D** 1/2" Overlay  
  
**CASE QTY** 200



4 Way 2 Cam Adjustable  
1 pc Face Frame Hinge  
1/2" OL  
**H294** No Dowels  
**H294-D** With Dowels  
  
**CASE QTY** 200



Soft Close 4 Way 2 Cam  
Adjustable 1 pc Face Frame  
Hinge w/ Dowels 1/2" OL  
**H294-SC** No Dowels  
**H294-D-SC** Dowels  
  
**CASE QTY** 200



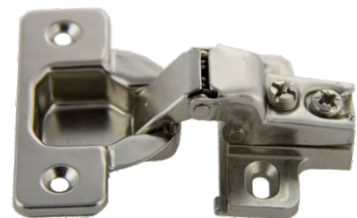
**H760.**  
Institutional Hinge 3/4" Overlay x 13/16" Door  
**CASE QTY** 100 **WEIGHT/CASE** 46 lbs  
**BOX QTY** 10  
  
**Available Colors** **Item Number**  
Dull Chrome H760.DC  
Powder Dull Chrome H760.PDC



**H760.SS**  
Institutional Hinge 3/4" Overlay x 13/16" Door  
**CASE QTY** 100 **WEIGHT/CASE** 46 lbs  
**BOX QTY** 10  
  
**Available Colors** **Item Number**  
Stainless Steel H760.SS



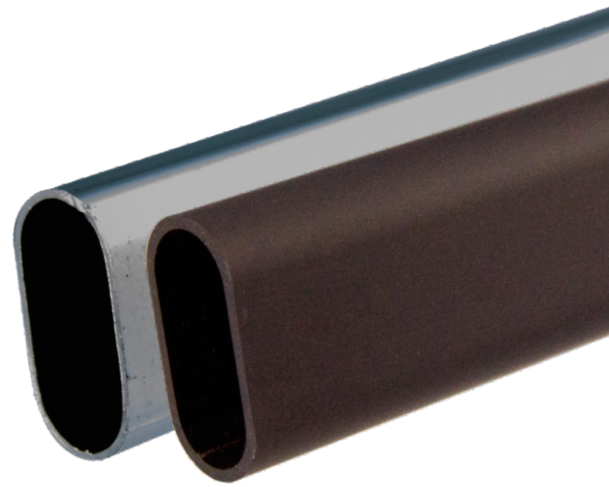
Short Arm Soft Close Face  
Frame CAM Hinge Steel  
Plate 1/2" Overlay w/ Dowel  
**HCAM280-D-SC**  
With Dowels  
  
**CASE QTY** 200



Short Arm Face Frame  
Hinge = 1/2" Overlay  
**H280** No Dowels  
**H280-D** With Dowels  
  
**CASE QTY** 200



Soft Close 4 Way 2 Cam  
Adjustable 1 pc Face Frame  
Hinge w/ Dowels 1-1/4" OL  
**H297-SC** No Dowels  
**H297-D-SC** With Dowels  
  
**CASE QTY** 200



**CR-50.**  
Closet Rod 8 Ft Oval  
30mm x 15mm x 1.0mm

**Available Colors**      **Item Number**  
 Chrome Plated      CR-50.CP (Case: 10 Steel)  
 Oil Rubbed Bronze      CR-50.ORB (Case: 20 Alum)

**CR-51.CP**  
Closet Rod 12 Ft Oval  
30mm x 15mm x 1.0mm Steel Chrome Plated

**Available Colors**      **Item Number**  
 Chrome Plated      CR-51.CP (Case: 10)

**CR-75.CP**  
Closet Rod 6 Ft Round  
1-1/16 Dia x 1.2mm Steel Chrome Plated

**Available Colors**      **Item Number**  
 Chrome Plated      CR-75.CP (Case: 10)

**CR-70.CP**  
Closet Rod 8 Ft Round  
1-1/16 Dia x 1.2mm Steel Chrome Plated

**Available Colors**      **Item Number**  
 Chrome Plated      CR-70.CP (Case: 10)

**CR-77.CP**  
Closet Rod 10 Ft Round  
1-1/16 Dia x 1.2mm Steel Chrome Plated

**Available Colors**      **Item Number**  
 Chrome Plated      CR-77.CP (Case: 10)

**CR-72.CP**  
Closet Rod 12 Ft Round  
1-1/16 Dia x 1.2mm Steel Chrome Plated

**Available Colors**      **Item Number**  
 Chrome Plated      CR-72.CP (Case: 10)

## CLOSET ROD COLLECTION ROUND & OVAL



**CR-71.CP**  
Closet Rod 8 Ft Round Heavy Duty  
1-1/16 Dia x 2.0mm Steel Chrome Plated

**Available Colors**      **Item Number**  
 Chrome Plated      CR-71.CP (Case: 5)

**CR-73.CP**  
Closet Rod 12 Ft Round Heavy Duty  
1-1/16 Dia x 2.0mm Steel Chrome Plated

**Available Colors**      **Item Number**  
 Chrome Plated      CR-73.CP (Case: 5)

**CR-60.CP**  
Closet Rod 8 Ft Round  
1-1/4 Dia x 1.2mm Steel Chrome Plated

**Available Colors**      **Item Number**  
 Chrome Plated      CR-60.CP (Case: 10)

**CR-62.CP**  
Closet Rod 12 Ft Round  
1-1/4 Dia x 1.2mm Steel Chrome Plated

**Available Colors**      **Item Number**  
 Chrome Plated      CR-62.CP (Case: 10)

**CR-80.**  
Closet Rod 8 Ft Round Heavy Duty  
1-5/16 Dia x 2.0mm

**Available Colors**      **Item Number**  
 Chrome Plated      CR-80.CP (Case: 5 Steel)  
 Oil Rubbed Bronze      CR-80.ORB (Case: 20 Alum)

**CR-81.CP**  
Closet Rod 12 Ft Round Heavy Duty  
1-5/16 Dia x 2.0mm Steel Chrome Plated

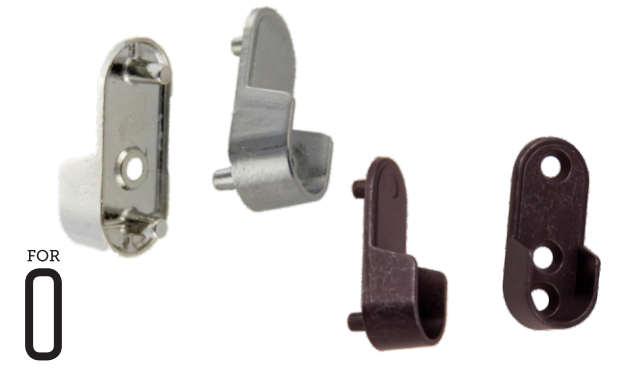
**Available Colors**      **Item Number**  
 Chrome Plated      CR-81.CP (Case: 5)

## CLOSET RODS & FITTINGS



**CRCS-58.**  
Closet Rod Oval Center Support

**Available Colors**      **Item Number**  
 Oil Rubbed Bronze      CRCS-58.ORB      Box: 50  
 Chrome Plated      CRCS-58.CP      Box: 50  
 Satin Nickel      CRCS-58.SN      Box: 50



**CRS-54.**  
Closet Rod Oval Socket Screw On

**Available Colors**      **Item Number**  
 Oil Rubbed Bronze      CRS-54.ORB      Box: 100  
 Chrome Plated      CRS-54.CP      Box: 100

**CRS-56.**  
Closet Rod Oval Socket w/ 5mm Pins

**Available Colors**      **Item Number**  
 Oil Rubbed Bronze      CRS-56.ORB      Box: 500  
 Chrome Plated      CRS-56.CP      Box: 500



**CRCS-68.CP**  
Closet Rod 1-1/4 Round Center Support

**Available Colors**      **Item Number**  
 Chrome Plated      CRCS-68.CP      Box: 20



**CRS-64.CP**  
Closet Rod 1-1/4 Round Socket Open End

**Available Colors**      **Item Number**  
 Chrome Plated      CRS-64.CP      Box: 50

**CRS-66.CP**  
Closet Rod 1-1/4 Round Socket Closed

**Available Colors**      **Item Number**  
 Chrome Plated      CRS-66.CP      Box: 50



## CLOSET RODS & FITTINGS

FOR  
○  
1-1/16  
Dia



**CRCS-78.CP**  
Closet Rod 1-1/16 Round Center Support  
**Available Colors** Chrome Plated  
**Item Number** CRCS-78.CP Box: 25

FOR  
○  
1-5/16  
Dia



**CRCS-88.**

FOR  
○  
1-5/16  
Dia



**CRS-84.**  
Closet Rod 1-5/16 Round Socket Open End  
**Available Colors** Oil Rubbed Bronze, Chrome Plated  
**Item Number** CRS-84.ORB Box: 20, CRS-84.CP Box: 20

**CRS-85.**  
Closet Rod 1-5/16 Round Socket Closed  
**Available Colors** Oil Rubbed Bronze, Chrome Plated  
**Item Number** CRS-85.ORB Box: 20, CRS-85.CP Box: 20

FOR  
○  
1-1/16  
Dia



**CRS-74.CP**  
Closet Rod 1-1/16 Round Socket Open End  
**Available Colors** Chrome Plated  
**Item Number** CRS-74.CP Box: 500

**CRS-76.CP**  
Closet Rod 1-1/16 Round Socket Closed  
**Available Colors** Chrome Plated  
**Item Number** CRS-76.CP Box: 50

FOR  
○  
1-5/16  
Dia

**CRS-88.**  
Closet Rod 1-5/16 Round Center Support  
**Available Colors** Chrome Plated, Oil Rubbed Bronze  
**Item Number** CRS-88.CP Box: 25, CRS-88.ORB Box: 25

FOR  
○  
1-5/16  
Dia



**CRS-86.**  
Closet Rod 1-5/16 Round Socket w/ 5mm Pins Open End  
**Available Colors** Oil Rubbed Bronze, Chrome Plated  
**Item Number** CRS-86.ORB Box: 500, CRS-86.CP Box: 500

**CRS-87.**  
Closet Rod 1-5/16 Round Socket w/ 5mm Pins Closed  
**Available Colors** Oil Rubbed Bronze, Chrome Plated  
**Item Number** CRS-87.ORB Box: 500, CRS-87.CP Box: 50

## LAZY SUSAN COLLECTION

## LAZY SUSAN



**LS18RD.WT**  
18" ROUND  
Lazy Susan White  
Plastic with  
stainless steel pole



**LS24KD.WT**  
24" KIDNEY  
Lazy Susan White  
Plastic with  
stainless steel pole



**LS24RD.WT**  
24" ROUND  
Lazy Susan White  
Plastic with  
stainless steel pole



**LS28KD.WT**  
28" KIDNEY  
Lazy Susan White  
Plastic with  
stainless steel pole



**LS28RD.WT**  
28" ROUND  
Lazy Susan White  
Plastic with  
stainless steel pole



**LS32KD.WT**  
32" KIDNEY  
Lazy Susan White  
Plastic with  
stainless steel pole



## L-BRACKETS & MENDING PLATES



**MP-**  
Mending Plate Zinc Plated

Size	Item Number	Case Qty	Weight/Case
2"	MP-2.ZP	1 M	18 lbs
3"	MP-3.ZP	1 M	28 lbs
4"	MP-4.ZP	0.5M	18 lbs
		1M = 1,000	



**CB90.**  
90 Degree Corner Bracket  
1-1/4 x 1-1/4 x 2-1/4 Tall

Case Qty	Weight/Case
500	36 lbs

Available Colors	Item Number
Black	CB90.BK
Zinc	CB90.ZP



**CB94.BK**  
90 Degree Corner Bracket 3/4 x 5"

Case Qty	Weight/Case
500	44 lbs



**B46001.PS**  
Chair Brace 1-3/8" x 1-3/8" Plain Steel

Case Qty	Weight/Case
1,000	21 lbs

## SHELF SUPPORT



**SS20-5MM.ZP**  
5mm x 16mm Duplo Shelf Pin ZP

Case Qty	Weight/Case
5M	26 lbs

Available Colors	Item Number
Zinc Plated	SS20-5MM.ZP



**SS21-5MM.**  
5mm Spoon Shaped Shelf Support

Case Qty	Weight/Case
5M	26 lbs
BOX QTY	1M

Available Colors	Item Number
Antique Brass	SS21-5MM.AB
Nickel	SS21-5MM.NI
Brass	SS21-5MM.PB



**SS01-5MM.**  
5mm "L" Shaped Shelf Support

Case Qty	Weight/Case
2M	25 lbs
BOX QTY	1M

Available Colors	Item Number
Antique Brass	SS01-5MM.AB
Nickel	SS01-5MM.NI
Brass	SS01-5MM.PB



**SS21-1/4.**  
1/4" Spoon Shaped Shelf Support

Case Qty	Weight/Case
5M	51 lbs
BOX QTY	0.5M

Available Colors	Item Number
Antique Brass	SS21-1/4.AB
Antique Copper	SS21-1/4.AC
Nickel	SS21-1/4.NI
Brass	SS21-1/4.PB



**SS01-1/4.**  
1/4 " L" Shaped Shelf Support

Case Qty	Weight/Case
2M	31 lbs
BOX QTY	1M

Available Colors	Item Number
Antique Brass	SS01-1/4.AB
Antique Copper	SS01-1/4.AC
Nickel	SS01-1/4.NI
Brass	SS01-1/4.PB



**B-3/4.WT**  
White Plastic Spacer Block 3/4

Case Qty	Weight/Case
1,000	11 lbs



**LB-**  
" L" Bracket

Size	Colors	Item Number	Case	Weight/Case
3/4 x 3/4	Black	LB-3/4.BK	2M	29 lbs
3/4 x 3/4	Zinc	LB-3/4.ZP	2M	29 lbs
1 x 1	Zinc	LB-1.ZP	1M	18 lbs
1.5 x 1.5	Zinc	LB-1.5.ZP	1M	28 lbs
2 x 2	Zinc	LB-2.ZP	0.5M	19 lbs
2.5 x 2.5	Zinc	LB-2.5.ZP	0.5M	30 lbs
3 x 3	Zinc	LB-3.ZP	0.5M	41 lbs
3.5 x 3.5	Zinc	LB-3.5.ZP	0.5M	39 lbs
4 x 4	Zinc	LB-4.ZP	0.2M	40 lbs
		1M = 1,000		



**F-B**  
Black Flat Bracket

Size	Item Number	Case	Weight/Case
2 x 4	F-B 2 X 4.BK	200	32 lbs
2 x 6	F-B 2 X 6.BK	200	53 lbs
2-1/4 x 2-1/4	F-B 2-1/4.BK	300	30 lbs



**FIGURE 8**  
Heavy Duty Figure 8

Case Qty	Weight/Case
2M	23 lbs



**RTA-3.**  
RTA 32mm Male & Female Fittings  
**CASE QTY** 2,500 **WEIGHT/CASE** 26 lbs  
**Available Colors** **Item Number**  
 Brown RTA-3.BN



**EC-14.AL**  
Elbow Catch Aluminum with Strike Plate  
**CASE QTY** 1,000 **WEIGHT/CASE** 41 lbs  
**BOX QTY** 100



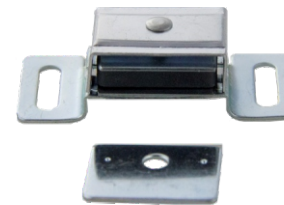
**C285.SB.**  
2" Double Ball Catch Solid Brass  
**CASE QTY** 1,000 **WEIGHT/CASE** 33 lbs  
**BOX QTY** 50  
**Available Colors** **Item Number**  
 Nickel Plated C285.SB.NI  
 Polished Brass C285.SB.PB



**SS35-**  
Plastic Locking Shelf Support  
5mm x 5/8" Shelf  
**CASE QTY** 5M **WEIGHT/CASE** 31 lbs  
**Available Colors** **Item Number**  
 Clear SS35-CLR  
 White SS35-WT



**SS36-**  
Plastic Locking Clear Shelf Support  
5mm x 3/4" Shelf  
**CASE QTY** 5M **WEIGHT/CASE** 31 lbs  
**Available Colors** **Item Number**  
 Clear SS36-CLR  
 White SS36-WT



**C241.AL**  
Regular Aluminum Mag Poly Bagged  
w/ Plate & Screws  
**CASE QTY** 500 **WEIGHT/CASE** 41 lbs  
**BOX QTY** 50  
**Available Colors** **Item Number**  
 Aluminum C241.AL



**C242.AL**  
Heavy Duty Aluminum Mag Poly Bagged  
w/ Plate & Screws  
**CASE QTY** 500 **WEIGHT/CASE** 56 lbs  
**BOX QTY** 50  
**Available Colors** **Item Number**  
 Aluminum C242.AL



**SS23.**  
Shelf Support w/ 5mm Metal Pin  
**CASE QTY** 5M **WEIGHT/CASE** 41 lbs  
**BOX QTY** 1M  
**Available Colors** **Item Number**  
 Clear SS23.CLR  
 White SS23.WT



**RTA-**  
Connector Screw M4 Thread x 15mm Long  
**CASE QTY** 5M **WEIGHT/CASE** 41 lbs  
**BOX QTY** 1M  
**Available Colors** **Item Number**  
 Connector Screw RTA-15.NI  
 Connector Sleeve 27mm RTA-27.NI  
 Connector Sleeve 35mm RTA-35.NI



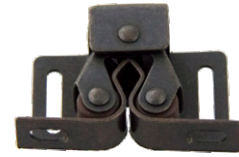
**C509.**  
Single Mag Catch w/ Strike Plate & Screws  
**CASE QTY** 1,000 **WEIGHT/CASE** 51 lbs  
**BOX QTY** 100  
**Available Colors** **Item Number**  
 Black/Zinc Plate C509.BK/ZP  
 Brown/Antique Copper C509.BN/AC  
 White/Zinc Plate C509.WT/ZP



**C250.**  
Heavy Duty Mag Catch  
w/ Strike Plate & Screws  
**CASE QTY** 500 **WEIGHT/CASE** 46 lbs  
**BOX QTY** 100  
**Available Colors** **Item Number**  
 Brown/Antique Copper C250.BN/AC  
 White/Zinc Plate C250.WT/ZP



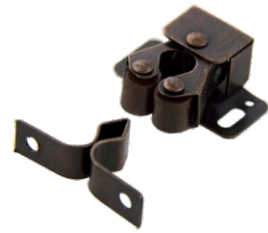
# CATCHES



**C411.**  
Heavy Duty Double Roller Catch

<b>CASE QTY</b>	1,000	<b>WEIGHT/CASE</b>	41 lbs
<b>BOX QTY</b>	100		

Available Colors	Item Number
Antique Copper	C411.AC
Zinc Plated	C411.ZP



**C04.**  
Double Roller Catch

<b>CASE QTY</b>	1,000	<b>WEIGHT/CASE</b>	41 lbs
<b>BOX QTY</b>	100		

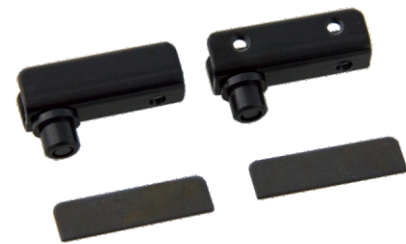
Available Colors	Item Number
Antique Copper	C04.AC
Zinc Plated	C04.ZP



**L25.KA.**  
1-1/8" Cam Lock Keyed Alike # 1

<b>CASE QTY</b>	240	<b>WEIGHT/CASE</b>	39 lbs
<b>BOX QTY</b>	12		

Available Colors	Item Number
Black	L25.KA.BK
Chrome Plated	L25.KA.PC



**H2500.BK**  
Glass Door Hinge Black w/ Metal Screws

<b>CASE QTY</b>	500	<b>WEIGHT/CASE</b>	61 lbs
-----------------	-----	--------------------	--------

Available Colors	Item Number
Black	H2500.BK



**SP-245.BK**  
Glass Door Strike Plate Matte Black

<b>CASE QTY</b>	1,000	<b>WEIGHT/CASE</b>	31 lbs
<b>BOX QTY</b>	500		

Available Colors	Item Number
Matte Black	SP-245.BK



**L35.KA.**  
7/8" Desk Lock Keyed Alike

<b>CASE QTY</b>	240	<b>WEIGHT/CASE</b>	39 lbs
<b>BOX QTY</b>	12		

Available Colors	Item Number
Brass Plated	L35.KA.PB
Chrome Plated	L35.KA.PC



**L45.KA.PC**  
Push Lock Keyed Alike # 2

<b>CASE QTY</b>	240	<b>WEIGHT/CASE</b>	29 lbs
<b>BOX QTY</b>	12		

Available Colors	Item Number
Chrome Plated	L45.KA.PC



**C907.**  
Single Mag Touch Latch Poly Bagged w/ Screws & Plate

<b>CASE QTY</b>	1,000	<b>WEIGHT/CASE</b>	51 lbs
<b>BOX QTY</b>	250		

Available Colors	Item Number
Black	C907.BK
White	C907.WT



**C927.**  
Double Mag Touch Latch Poly Bagged w/ Screws & Plates

<b>CASE QTY</b>	500	<b>WEIGHT/CASE</b>	51 lbs
<b>BOX QTY</b>	125		

Available Colors	Item Number
Black	C927.BK
White	C927.WT



**TMLS-12**  
12" Round Swivel 1000 lbs Capacity

<b>CASE QTY</b>	25	<b>WEIGHT/CASE</b>	46 lbs
-----------------	----	--------------------	--------



**SWIVEL-17.AL**  
Aluminum Swivel 17-3/8" 250 lbs Capacity

<b>CASE QTY</b>	10	<b>WEIGHT/CASE</b>	40 lbs
-----------------	----	--------------------	--------



**GR186-45.BK**  
1-3/4" Plastic 2 pc Grommet Black

<b>CASE QTY</b>	1,000	<b>WEIGHT/CASE</b>	51 lbs
<b>Available Colors</b>		<b>Item Number</b>	GR186-45.BK

---



**GR187-51.**  
51mm Deluxe Plastic 3 pc Grommet

<b>CASE QTY</b>	1,000	<b>WEIGHT/CASE</b>	51 lbs
<b>BOX QTY</b>	200		
<b>Available Colors</b>		<b>Item Number</b>	
Black		GR187-51.BK	
Brown		GR187-51.BN	
Gray		GR187-51.GRY	
White		GR187-51.WT	

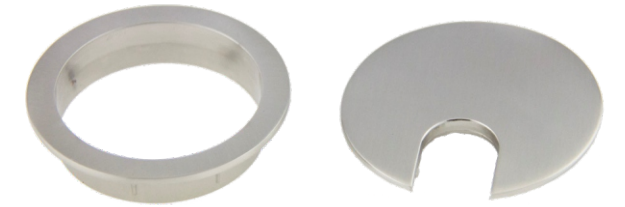
---



**GRE-71880003-**  
Electric Grommet, 80mm w/ 2 USB connections & power outlet

<b>Available Colors</b>	<b>Item Number</b>
Black	GRE-71880003-BK
Grey/Silver	GRE-71880003-GRY

---



**GR-82910.**  
63mm (2-1/2") 2 pc Metal Grommet

<b>CASE QTY</b>	150	<b>WEIGHT/CASE</b>	46 lbs
<b>BOX QTY</b>	15		
<b>Available Colors</b>		<b>Item Number</b>	
Black		GR-82910.BK	
Satin Nickel		GR-82910.SN	

---



**GR188-60.**  
60mm Deluxe Plastic 3 pc Grommet

<b>CASE QTY</b>	500	<b>WEIGHT/CASE</b>	26 lbs
<b>Available Colors</b>		<b>Item Number</b>	
Black		GR188-60.BK	
Brown		GR188-60.BN	
Gray		GR188-60.GRY	
White		GR188-60.WT	

---



**GR189-70.**  
70mm Deluxe Plastic 3 pc Grommet

<b>CASE QTY</b>	400	<b>WEIGHT/CASE</b>	25 lbs
<b>Available Colors</b>		<b>Item Number</b>	
Black		GR189-70.BK	
Brown		GR189-70.BN	
Gray		GR189-70.GRY (200)	
White		GR189-70.WT (500)	

---



**GR22.BK**  
80mm 1 pc Grommet w/ Flexible Top Black

<b>Available Colors</b>	<b>Item Number</b>
Black	GR22.BK

---



**GR76.**  
3" Plastic 2 pc Grommet

<b>CASE QTY</b>	100	<b>WEIGHT/CASE</b>	9 lbs
<b>Available Colors</b>		<b>Item Number</b>	
Black		GR76.BK	
Light Gray		GR76.LT-GRAY	
White		GR76.WT	

---



**GR190-80.**  
80mm Deluxe Plastic 3 pc Grommet

<b>CASE QTY</b>	300	<b>WEIGHT/CASE</b>	19 lbs
<b>Available Colors</b>		<b>Item Number</b>	
Black		GR190-80.BK	
Brown		GR190-80.BN	
Gray		GR190-80.GRY	
White		GR190-80.WT	

---



**GR1350-40.BK**  
1 pc Metal Grommet 40mm (1-3/4") Matte Black

<b>CASE QTY</b>	500	<b>WEIGHT/CASE</b>	32 lbs
<b>Available Colors</b>		<b>Item Number</b>	
Black		GR1350-40.BK	

---



**GR1035.WHITE**  
2" Plastic 2 pc Grommet White

<b>Available Colors</b>	<b>Item Number</b>
White	GR1035.WHITE

---



**GR63.**  
63mm (2-1/2") Plastic 2 pc Grommet

<b>CASE QTY</b>	200	<b>WEIGHT/CASE</b>	9 lbs
<b>Available Colors</b>		<b>Item Number</b>	
Black		GR63.BK	
White		GR63.WT	

---





TR6X1.SS

TR6X2.SS

TR6X6.SS



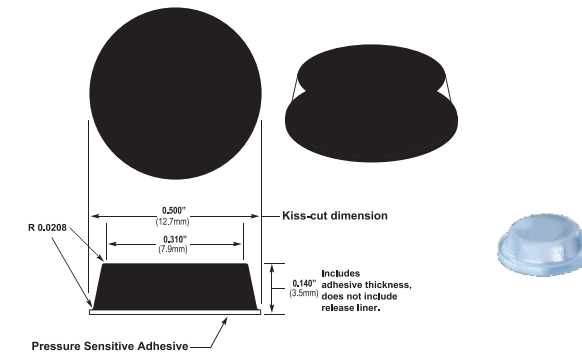
TR8X1.SS

TR8X2.SS

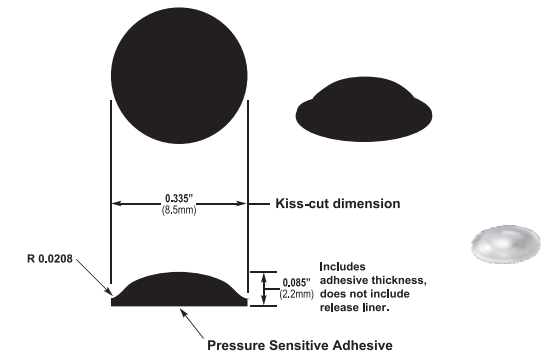


**B850.NP**  
Bed Rail Fastener 5" w/ Round Corners  
Zinc Plated  
**CASE QTY** 25 SETS **WEIGHT/CASE** 20 lbs

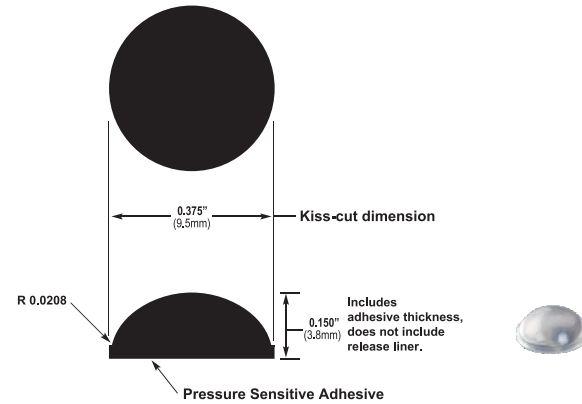
**TR**  
Stainless Steel Trash Ring  
**Available Sizes**      **Item Number**  
6" Dia x 1" Deep      TR6X1.SS  
6" Dia x 2" Deep      TR6X2.SS  
6" Dia x 6" Deep      TR6X6.SS  
8" Dia x 1" Deep      TR8X1.SS  
8" Dia x 2" Deep      TR8X2.SS



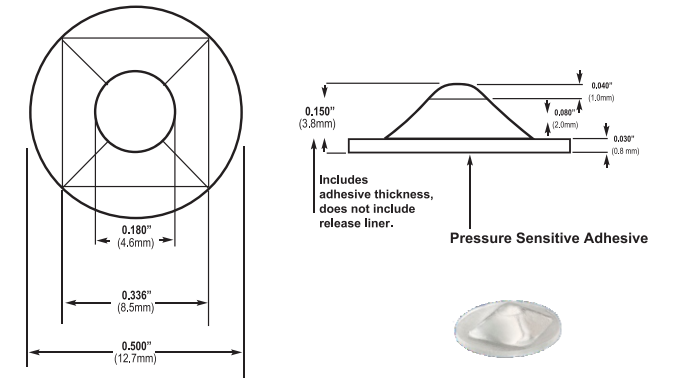
**BS-1-SD-200-CLR**  
1/2" Dia x 1/8" Thick Clear Bump-On  
**Sold per Box**  
Per Box: (5M) 5,000 pieces - 25 sheets  
Per Sheet: 200 Pieces - 10 across x 20 down



**BS-7-SD-450-CLR**  
3/8" Dia x 1/16" Thick Clear Bump-On  
**Sold per Box**  
Per Box: (5.4M) 5,400 pieces - 12 sheets  
Per Sheet: 450 Pieces - 15 across x 30 down



**BS-12-SD-288-CLR**  
3/8" Dia x 1/8" Thick Clear Bump-On  
**Sold per Box**  
Per Box: (7.2M) 7,200 pieces - 25 sheets  
Per Sheet: 288 Pieces - 12 across x 24 down



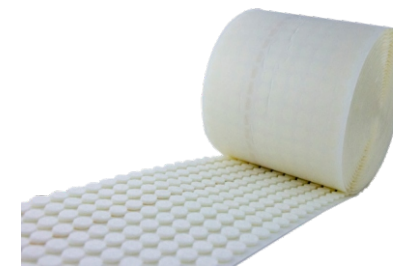
**BS-33-SD-CLR**  
1/2" Dia x 3/16" Thick Clear Bump-On  
**Sold per Box**  
Per Box: (5M) 5,000 pieces - 25 sheets  
Per Sheet: 200 Pieces - 10 across x 20 down



**PT10.BK**  
Plastic Pencil Tray Black 5-1/2" x 12-3/4" x 1"  
**CASE QTY** 100      **WEIGHT/CASE** 30 lbs



**FF**  
False Front Catch Metal Clip and Front Dowel  
**CASE QTY** 100  
FFS11 False Front Dowel  
FFC11 False Front Metal Clip

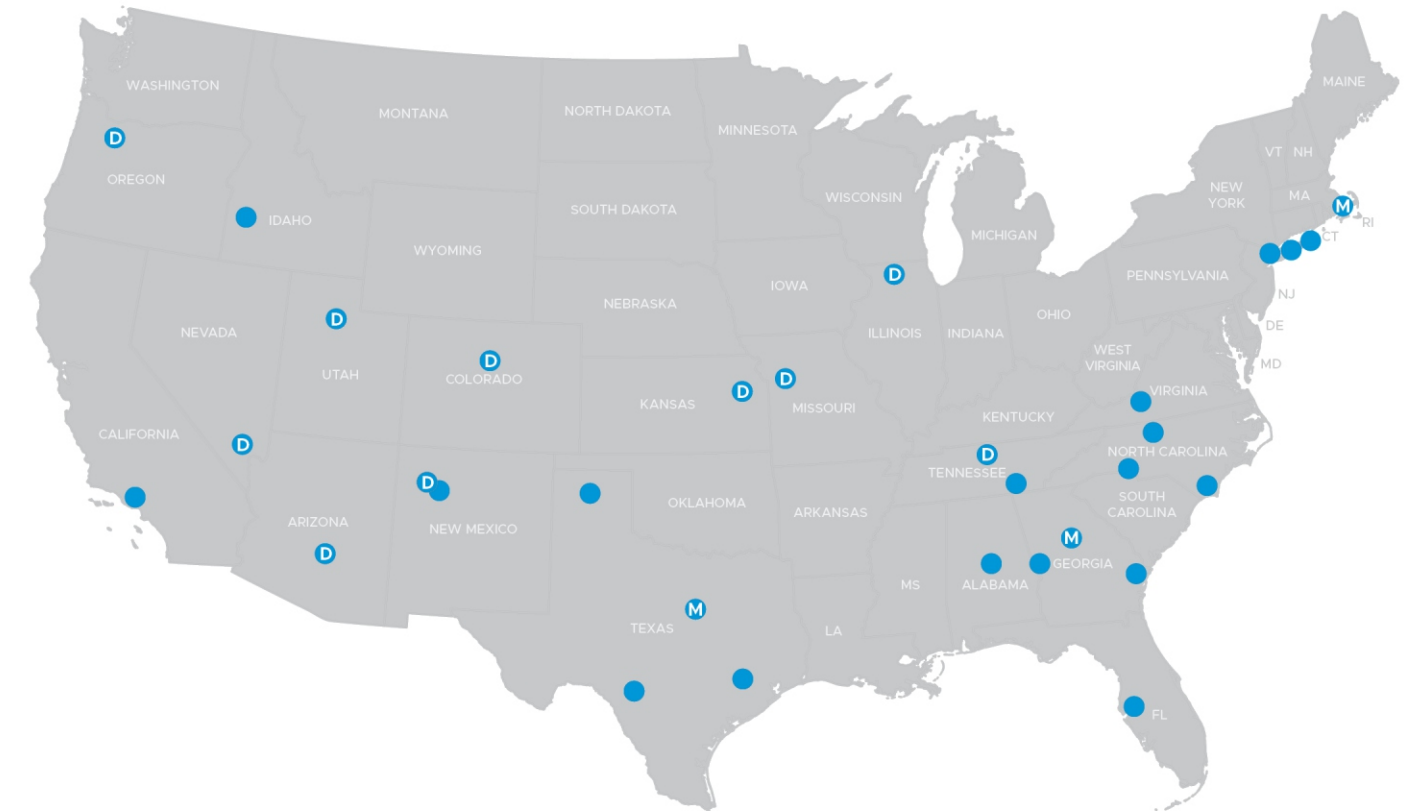


**FP-1238**  
3/8" Dia x 1/8" Thick Felt Pad  
**Available Sizes**      **Item Number**  
Brown      FP-1238.BN      5M - Box  
White      FP-1238.WT      5M - Box

# Servicing North America

## PRODUCT INDEX

3411	15	C242	29	GR187-51	32	SS36	28
4400	11	C250	29	GR188-60	32	SWIVEL-17	31
4401	11	C285	29	GR189-70	32	T00TQ	18
4402	11	C411	30	GR190-80	32	T02TQ	18
4403	11	C509	29	GR22	33	TMLS-12	31
4600	8	C907	30	GR63	33	TR	34
4800	9	C927	30	GR76	33		
4903	7	CB90	26	GR-82910	33		
5890	9	CB94	26	GRE-7188003	33		
7800	6	CLK.0	18	H2500	30		
8000	4	CLK.0S	18	H280	20		
8800	5	CR-50	22	H280.S-D	20		
#633A.CL	18	CR-51	22	H280-D	20		
#634A.CL	18	CR-60	22	H294	20		
#649A.CL	18	CR-62	22	H294-D	20		
#659A.CL	18	CR-70	22	H294-D-SC	20		
3300CAM-SC	14	CR-71	22	H294-SC	20		
3300-SC	15	CR-72	22	H297	20		
3303CAM-SC	14	CR-73	22	H297-D	20		
3303-SC	15	CR-75	22	H297-D-SC	20		
3306CAM-SC	14	CR-77	22	H297-SC	20		
3311-8D-SC	14	CR-80	22	H760	21		
33118DSC+3303CAMSC	14	CR-81	22	HCAM280-D-SC	20		
	14	CRCS-58	23	L25	31		
3311-SC	14	CRCS-68	23	L35	31		
33165-8D-SC	15	CRCS-78	24	L45	31		
3411-8D	15	CRCS-88	24	LB-1	26		
34118DSC+3303CAMSC	15	CRS-54	23	LB-1.5	26		
	15	CRS-56	23	LB-2	26		
4400.S	11	CRS-64	23	LB-2.5	26		
4400-CAM	11	CRS-66	23	LB-3	26		
4400-CAM.S	11	CRS-74	24	LB-3.5	26		
4401-CAM	11	CRS-76	24	LB-3/4	26		
4402.S	11	CRS-84	24	LB-4	26		
4402-CAM	11	CRS-85	24	LS18RD	25		
4402-CAM.S	11	CRS-86	24	LS24KD	25		
4403-CAM	11	CRS-87	24	LS24RD	25		
4411-8D-SC	11	EC-14	29	LS28KD	25		
4411-SC	11	F-B	26	LS28RD	25		
4422-8D-SC	11	FCL.0	19	LS32KD	25		
4422-SC	11	FCL.3	19	MP-2	26		
4433-8D-SC	11	FCL.6	19	MP-3	26		
4433-SC	11	FCL.S.0	19	MP-4	26		
4465-8D-SC	11	FCL.S.3	19	PT10	34		
4465-SC	11	FCL.S.6	19	RTA	28		
96T00TQ	14	FCLCAM.0	19	RTA-3	28		
96T02TQ	14	FCLCAM.3	19	SP-245	30		
B-3/4	27	FF	34	SS01	27		
B46001	26	Figure 8	26	SS20	27		
B850	34	FP	35	SS21	27		
BS	35	GR1035	33	SS23	28		
C04	30	GR1350-40	32	SS35	28		
C241	29	GR186-45	32				



**D** DOOR MANUFACTURING      **M** MOULDING AND MILLWORK MANUFACTURING

Albuquerque, NM  
505-924-2270

Carlstadt, NJ  
201-807-9701

Houston, TX  
713-692-3388

NY Metro – Long Island  
631-242-4369

Rockford, IL  
815-965-9439

Amarillo, TX  
806-352-2382

Charlotte, NC  
704-494-0703

Kansas City, MO  
816-531-0161

Phoenix, AZ  
602-252-3696

Salt Lake City, UT  
801-972-9393

Atlanta, GA  
404-699-3900

Chattanooga, TN  
423-332-1377

Los Angeles, CA  
909-466-7315

Portland, OR  
503-692-3322

San Antonio, TX  
210-657-5944

Birmingham, AL  
404-792-2290

Columbus, GA  
706-565-5337

Nashville, TN  
615-885-0355

Roanoke, VA  
540-857-0425

Savannah, GA  
912-965-1061

Boise, ID  
208-336-3911

Dallas, TX  
214-638-5161

Olathe, KS  
913-738-8074

Kemersville, NC  
336-993-8686

Tampa, FL  
813-888-6824

Boston Metro - Stoughton  
781-341-9255

Denver, CO  
303-296-7260

NY Metro – Bronx  
631-242-4369

Las Vegas, NV  
702-248-0050

Wilmington, NC  
910-794-7225

**RUGBY**<sup>®</sup>  
Architectural Building Products

Toll-Free: 1-855-650-3265

www.rugbyabp.com