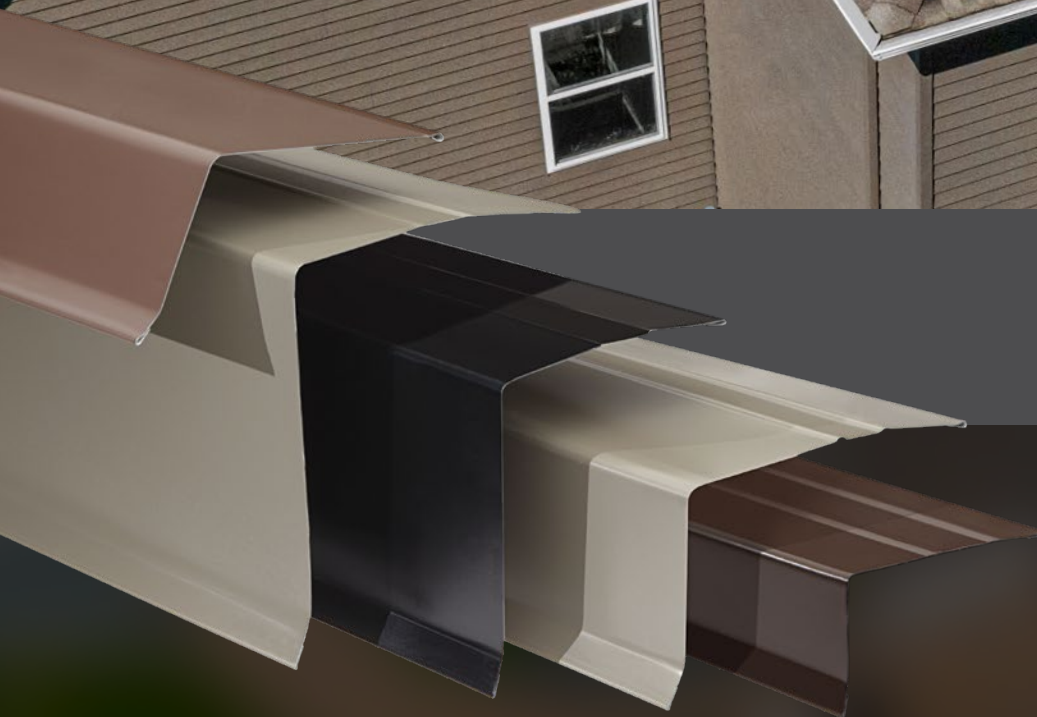




KLAUER

Infinately Reliable.



FLASHING

WWW.KLAUER.COM

FLASHING

FLASHING

› Available Materials for Roof Edges, Drip Edges and Other Flashing Products	4	› Deck and Chimney (Reglet) Flashing	9
› Style A Roof Edge (Available in Woodgrain Embossed)	4	› Rain Diverter With Return	9
› Style C and CC Roof Edge	4	› Available Materials for Trim Coil, Roll Valley and Shingle	10
› Style D Roof Edge and D Eaves Drip	5	› Galvanized and Painted Steel Roll Valley	10–11
› Style L and LL Roof Edge	5	› Economy Galvanized Roll Valley	11–12
› Style SR and SRLL Roof Edge and Eaves Drip	6	› Standard Aluminum Roll Valley	13
› Gutter Apron With Hemmed Edges	6	› Economy Aluminum Roll Valley	14
› T Roof Trim	7	› Flat Sheets	15
› Gravel Stop	7	› Style W Formed Valley	16
› Roof Starters	7	› Kick-Out Flashing	16
› Window Capping	8	› Flashing Shingles	17
› Base Flashing (Z Flashing)	8	› Flashing Collection	18–19
› Dormer Flashing	8	› Directory	20–37



LIMITED-LIFETIME WARRANTY!

Quality products backed by excellent support.

THE FINISHING TOUCH OF FLASHING

Offering products produced from both steel and aluminum, we bring you the most complete line of residential flashing products in the industry. Available painted finishes include a two-coat, baked-on polyester enamel paint for years of worry-free service and minimal maintenance, complete with a 40-year warranty. They are also resistant to corrosion, fading and chalking while providing excellent color retention. Offering all the shapes and sizes used nationwide, we are your source for every flashing product you need. Custom and specialty products are available upon request.

BENEFITS OF FLASHING

The most pervasive and difficult-to-control weather element threatening your roof is water. Made from durable, low-maintenance materials, Klauer flashing options help mitigate the risk of water damage to susceptible areas like roof valleys, chimneys, eaves, skylights, ridges and more. Extend the life of your roof while giving your home a great finishing touch by taking advantage of the following top-quality products:

- › Roof edges
- › Gutter apron
- › Valley metal
- › Flashing shingles
- › Window cap
- › Z flashing
- › Reglets
- › Dormer flashing
- › Many more

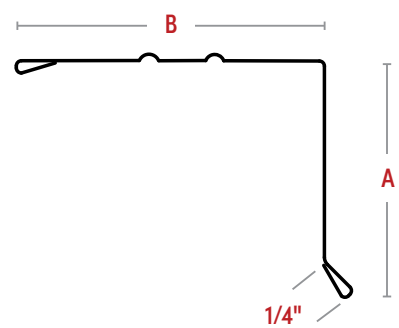
AVAILABLE MATERIALS FOR ROOF EDGES, DRIP EDGES AND OTHER FLASHING PRODUCTS

STEEL:	32 Ga.	(.012)	Thickness	Painted and Bare Galvanized
	29 Ga.	(.015)	Thickness	Painted and Bare Galvanized
	26 Ga.	(.020)	Thickness	Painted and Bare Galvanized
PAINTED ALUMINUM:	—	(.012)	Thickness	
	—	(.017)	Thickness	
BARE ALUMINUM:	—	(.012)	Thickness	

Klauer flashing material type and color availability vary by product and geographic region. Minimum order quantities may apply to non-standard materials and colors. Please contact your Klauer representative for availability in your area.

STYLE A ROOF EDGE (AVAILABLE IN WOODGRAIN EMBOSSED)

DIAGRAM 4-1

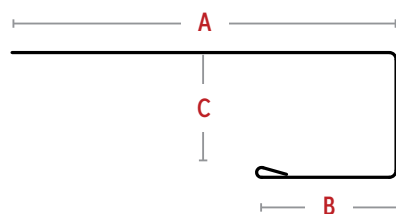


PRODUCT DESCRIPTION	PIECES PER		DIMENSIONS	
	STEEL	ALUMINUM	A	B
1-1/2" x 1-1/2" Style A Roof Edge – 10'	50	50	1-1/2"	1-3/8"
1" x 2" Style A Roof Edge – 10'	50	50	1"	2"
2" x 2" Style A Roof Edge – 10'	25	25	2"	1-5/8"
1" x 4" Style A Roof Edge – 10'	25	N/A	1"	4"
3" x 3" Style A Roof Edge – 10'	25	N/A	3"	2-7/8"
4" x 4" Style A Roof Edge – 10'	10	10	4"	3-7/8"

Please see Roof Edge Product Directory for more information.

STYLE C AND CC ROOF EDGE

DIAGRAM 4-2

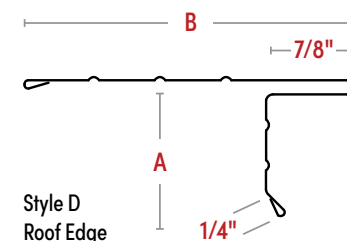


PRODUCT DESCRIPTION	PIECES PER		DIMENSIONS		
	STEEL	ALUMINUM	A	B	C
5" Style C Roof Edge – 10'	25	25	3"	1"	1"
5" Style CC Roof Edge – 10'	25	25	2-1/2"	1"	1-1/2"
6" Style CC Roof Edge – 10'	25	25	3-1/2"	1"	1-1/2"

Please see Roof Edge Product Directory for more information.

STYLE D ROOF EDGE AND D EAVES DRIP

DIAGRAM 5-1



PRODUCT DESCRIPTION	PIECES PER		DIMENSIONS	
	STEEL	ALUMINUM	A	B
4-1/2" Style D Roof Edge – 10'	25	50	1-1/4"	2-3/8"
5" Style D Roof Edge – 10'	25	N/A	1-1/4"	2-7/8"
5-1/2" Style D Roof Edge – 10'	25	50	1-1/4"	3-1/8"
6" Style D Roof Edge – 10'	25	50	2"	2-5/8"
8" Style D Roof Edge – 10'	20	N/A	1-1/4"	5-7/8"
4-1/2" Eaves Drip – 10'	25	50	—	—
8" Eaves Drip – 10'	N/A	50	—	—

DIAGRAM 5-2

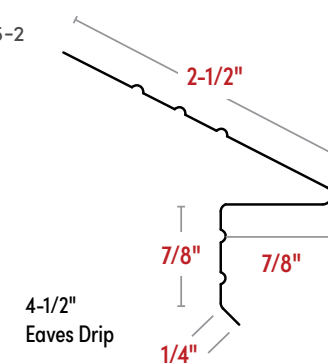
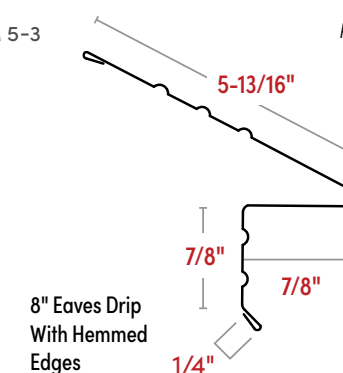


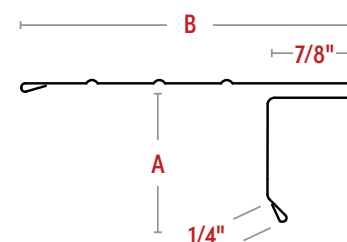
DIAGRAM 5-3



Please see Roof Edge Product Directory for more information.

STYLE L AND LL ROOF EDGE

DIAGRAM 5-4

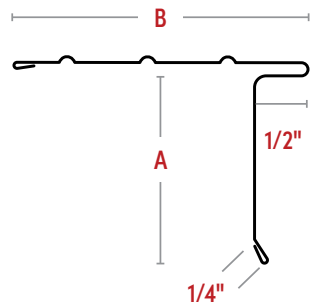


PRODUCT DESCRIPTION	PIECES PER		DIMENSIONS	
	STEEL	ALUMINUM	A	B
5-1/2" Style L Roof Edge – 10'	25	50	1-3/4"	2-1/2"
5-1/2" Style LL Roof Edge – 26 Ga. – 10'	25	N/A	2"	2-1/4"
6" Style L Roof Edge – 10'	N/A	50	1-3/4"	3"
6" Style LL Roof Edge – 10'	25	N/A	2"	2-3/4"

Please see Roof Edge Product Directory for more information.

STYLE SR AND SROLL ROOF EDGE AND EAVES DRIP

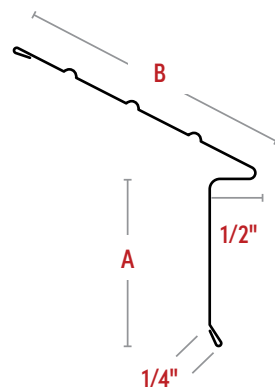
DIAGRAM 6-1



PRODUCT DESCRIPTION	PIECES PER		DIMENSIONS	
	STEEL	ALUMINUM	A	B
4-1/2" Style SR Roof Edge – 10'	25	50	1-3/8"	2-1/4"
5" Style SR Roof Edge – 10'	25	50	1-3/8"	2-3/4"
5" Style SROLL Roof Edge – 10'	25	50	1-3/4"	2-1/4"
5-1/2" Style SROLL Roof Edge – 10'	25	50	1-3/4"	2-3/4"
5" Style SROLL Eaves Drip – 10'	25	50	1-3/4"	2-1/4"
5-1/2" Style SROLL Eaves Drip – 10'	25	50	1-3/4"	2-3/4"

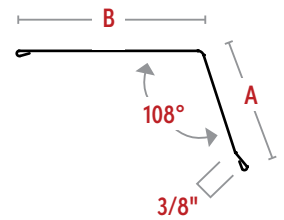
Please see Roof Edge Product Directory for more information.

DIAGRAM 6-2



GUTTER APRON WITH HEMMED EDGES

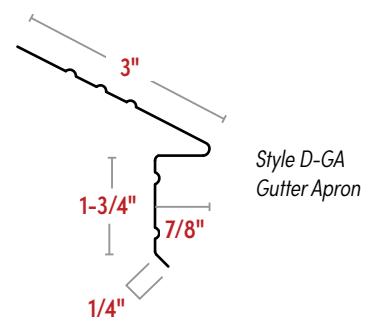
DIAGRAM 6-3



PRODUCT DESCRIPTION	PIECES PER		DIMENSIONS	
	STEEL	ALUMINUM	A	B
2" x 3" Gutter Apron – 10'	25	25	1-7/8"	2-3/4"
3" x 3" Gutter Apron – 10'	25	N/A	2-7/8"	2-3/4"
2" x 4" Gutter Apron – 10'	25	N/A	1-7/8"	3-3/4"
6" Style D-GA Gutter Apron – No Hems – 10'	25	25	–	–

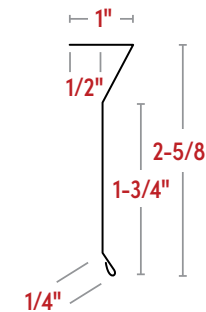
Please see Gutter Apron Product Directory for more information.

DIAGRAM 6-4



T ROOF TRIM

DIAGRAM 7-1

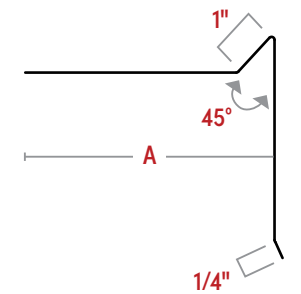


PRODUCT DESCRIPTION	PIECES PER		DIMENSIONS	
	STEEL	ALUMINUM	A	B
T Roof Trim – 12'	N/A	25		

Please see Roof Edge Product Directory for more information.

GRAVEL STOP

DIAGRAM 7-2

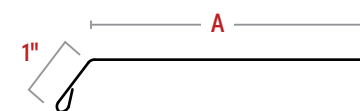


PRODUCT DESCRIPTION	PIECES PER		DIMENSIONS	
	STEEL	ALUMINUM	A	B
5" Girth Gravel Stop – 10'	10	N/A	2"	2-1/4"
7" Girth Gravel Stop – 10'	10	N/A	3"	3-1/4"
8" Girth Gravel Stop – 10'	10	N/A	3-1/4"	3-3/4"
10" Girth Gravel Stop – 10'	10	N/A	4-3/4"	4-1/4"

Please see Gravel Stop Product Directory for more information.

ROOF STARTERS

DIAGRAM 7-3

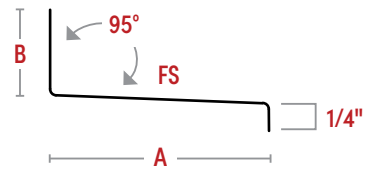


PRODUCT DESCRIPTION	PIECES PER	DIMENSIONS	
		A	B
6" Roof Starter – 10'	10	4-3/4"	

Please see Roof Edge Product Directory for more information.

WINDOW CAPPING

DIAGRAM 8-1

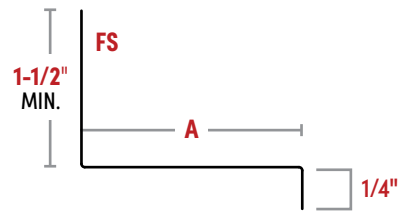


PRODUCT DESCRIPTION	PIECES PER		DIMENSIONS	
	STEEL	ALUMINUM	A	B
1-1/8" Header Window Capping - 10'	50	50	1-1/16"	1-3/4"
1-1/4" Header Window Capping - 10'	50	50	1-1/4"	1-1/2"
1-3/8" Header Window Capping - 10'	50	50	1-3/8"	1-3/8"
1-1/2" Header Window Capping - 10'	50	50	1-1/2"	1-1/2"
1-5/8" Header Window Capping - 10'	50	50	1-5/8"	1-1/2"
1-3/4" Header Window Capping - 10'	50	50	1-3/4"	1-1/2"
1" Header Window Capping 2" Back Leg - 10'	50	50	1"	2"
1-1/8" Header Window Capping 2" Back Leg - 10'	50	50	1-1/8"	2"
1-1/4" Header Window Capping 2" Back Leg - 10'	50	50	1-1/4"	2"
1-3/8" Header Window Capping 2" Back Leg - 10'	50	50	1-3/8"	2"
1-3/4" Header Window Capping 2" Back Leg - 10'	50	50	1-3/4"	2"

Please see Window Capping Product Directory for more information.

BASE FLASHING (Z FLASHING)

DIAGRAM 8-2

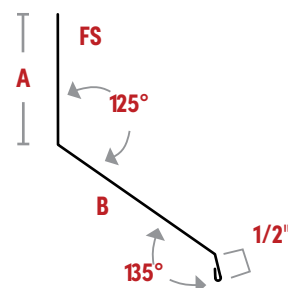


PRODUCT DESCRIPTION	PIECES PER		DIMENSIONS
	STEEL	ALUMINUM	A
3/8" Base Flashing - 10'	25	50	3/8"
7/16" Base Flashing - 10'	25	50	7/16"
1/2" Base Flashing - 10'	25	50	1/2"
5/8" Base Flashing - 10'	25	50	5/8"
3/4" Base Flashing - 10'	25	50	3/4"
1" Base Flashing - 10'	25	50	1"
1-1/8" Base Flashing - 10'	25	50	1-1/8"
1-3/4" Base Flashing - 10'	25	50	1-3/4"

Please see Base Flashing Product Directory for more information.

DORMER FLASHING

DIAGRAM 8-3



PRODUCT DESCRIPTION	PIECES PER	DIMENSIONS	
		A	B
#2220 Dormer Flashing - 10'	10	3-3/4"	5"
#13720 Dormer Flashing - 10'	10	3-1/2"	4-1/2"

Please see Gravel Stop Product Directory for more information.

DECK AND CHIMNEY (REGLET) FLASHING

DIAGRAM 9-1

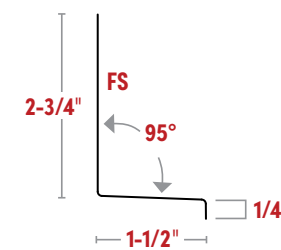


DIAGRAM 9-2

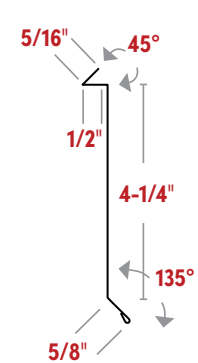
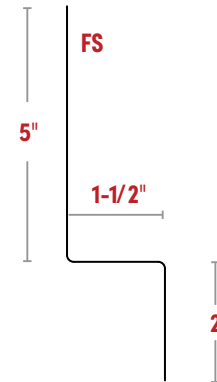


DIAGRAM 9-3



DIAGRAM 9-4

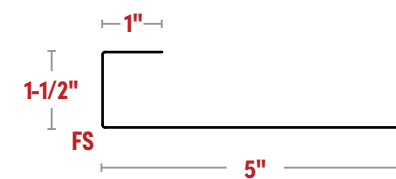


PRODUCT DESCRIPTION	PIECES PER
#2401 Deck Flashing - 10'	25
4-1/4" Reglet - w/ Return - 10'	10
4-1/4" Reglet - w/ No Return - 10'	10
#2330 Deck-Start Strip - 10'	25

Please see Gravel Stop Product Directory for more information.

RAIN DIVERTER WITH RETURN

DIAGRAM 9-5



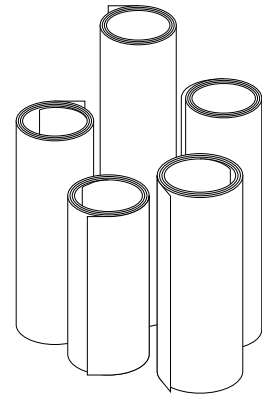
PRODUCT DESCRIPTION	PIECES PER
#2277 7-1/2" Rain Diverter - 10'	10

Please see Gravel Stop Product Directory for more information.

AVAILABLE MATERIALS FOR TRIM COIL, ROLL VALLEY AND SHINGLE

STEEL:	Standard	29 Ga.	(.015)	Thickness	Painted Trim Coil
	Standard	29 Ga.	(.015)	Thickness	W Valley, Bare and Painted
	Standard	32 Ga.	(.012)	Thickness	Bare Roll Valley
	Economy	34 Ga.	(.010)	Thickness	Bare Roll Valley
	Standard	32 Ga.	(.012)	Thickness	Shingle, Both Painted and Bare
	Economy	34 Ga.	(.010)	Thickness	Bare Shingles
ALUMINUM:	Standard	—	(.017)	Thickness	Painted Trim Coil
	Standard	—	(.012)	Thickness	Bare Roll Valley
	Economy	—	(.009)	Thickness	Bare Roll Valley
	Standard	—	(.012)	Thickness	Shingle, Both Painted and Bare

GALVANIZED AND PAINTED STEEL ROLL VALLEY



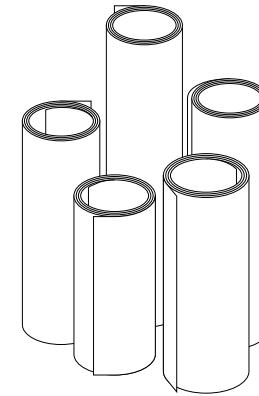
PRODUCT DESCRIPTION	PACKAGING PER PALLET	WEIGHT PER ROLL:	
		GALVANIZED	PAINTED
4" Roll Valley – 50'	100 rolls	8.00 lbs.	10.50 lbs.
4" Roll Valley – 10'	100 rolls	6.60 lbs.	2.10 lbs.
4" Roll Valley – 25'	100 rolls	4.00 lbs.	5.25 lbs.
6" Roll Valley – 50'	100 rolls	12.00 lbs.	16.00 lbs.
6" Roll Valley – 10'	100 rolls	2.40 lbs.	3.20 lbs.
6" Roll Valley – 25'	100 rolls	6.00 lbs.	8.00 lbs.
8" Roll Valley – 50'	150 rolls	15.50 lbs.	22.00 lbs.
8" Roll Valley – 10'	150 rolls	3.10 lbs.	4.40 lbs.
8" Roll Valley – 25'	150 rolls	7.75 lbs.	11.00 lbs.
10" Roll Valley – 50'	125 rolls	19.50 lbs.	27.50 lbs.
10" Roll Valley – 10'	125 rolls	3.90 lbs.	5.50 lbs.
10" Roll Valley – 25'	125 rolls	9.75 lbs.	13.75 lbs.
12" Roll Valley – 50'	100 rolls	23.50 lbs.	32.50 lbs.
12" Roll Valley – 10'	100 rolls	4.70 lbs.	6.50 lbs.
12" Roll Valley – 25'	100 rolls	11.75 lbs.	16.25 lbs.
14" Roll Valley – 50'	100 rolls	27.00 lbs.	37.50 lbs.
14" Roll Valley – 10'	100 rolls	5.40 lbs.	7.50 lbs.
14" Roll Valley – 25'	100 rolls	13.50 lbs.	18.75 lbs.

Please see Roll Valley Product Directory for more information.

continued

GALVANIZED AND PAINTED STEEL ROLL VALLEY

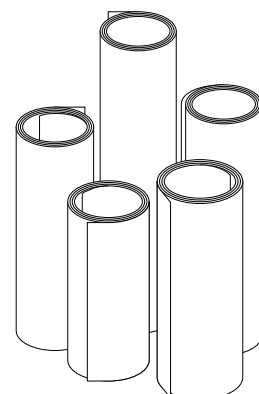
continued



PRODUCT DESCRIPTION	PACKAGING PER PALLET	WEIGHT PER ROLL:	
		GALVANIZED	PAINTED
16" Roll Valley – 50'	75 rolls	31.00 lbs.	43.00 lbs.
16" Roll Valley – 10'	75 rolls	6.20 lbs.	8.60 lbs.
16" Roll Valley – 25'	75 rolls	15.50 lbs.	21.50 lbs.
18" Roll Valley – 50'	75 rolls	35.00 lbs.	48.50 lbs.
18" Roll Valley – 10'	75 rolls	7.00 lbs.	9.70 lbs.
18" Roll Valley – 25'	75 rolls	17.50 lbs.	24.25 lbs.
20" Roll Valley – 50'	50 rolls	38.50 lbs.	54.00 lbs.
20" Roll Valley – 10'	50 rolls	7.70 lbs.	10.80 lbs.
20" Roll Valley – 25'	50 rolls	19.25 lbs.	27.00 lbs.
24" Roll Valley – 50'	50 rolls	46.50 lbs.	65.00 lbs.
24" Roll Valley – 10'	50 rolls	9.30 lbs.	13.00 lbs.
24" Roll Valley – 25'	50 rolls	23.25 lbs.	32.50 lbs.
36" Roll Valley – 50'	25 rolls	70.50 lbs.	98.50 lbs.
36" Roll Valley – 10'	25 rolls	14.10 lbs.	19.70 lbs.
36" Roll Valley – 25'	25 rolls	35.25 lbs.	49.25 lbs.

Please see Roll Valley Product Directory for more information.

ECONOMY GALVANIZED ROLL VALLEY



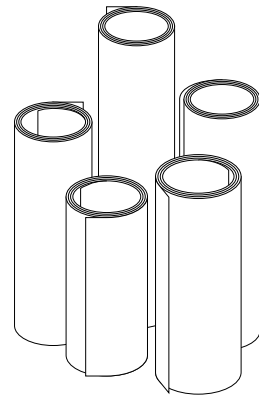
PRODUCT DESCRIPTION	PACKAGING PER PALLET	WEIGHT PER ROLL
4" Roll Valley – 50'	150 rolls	6.80 lbs.
4" Roll Valley – 10'	150 rolls	1.36 lbs.
4" Roll Valley – 25'	150 rolls	3.40 lbs.
6" Roll Valley – 50'	100 rolls	10.20 lbs.
6" Roll Valley – 10'	100 rolls	2.04 lbs.
6" Roll Valley – 25'	100 rolls	5.10 lbs.
8" Roll Valley – 50'	100 rolls	13.39 lbs.
8" Roll Valley – 10'	100 rolls	2.68 lbs.
8" Roll Valley – 25'	100 rolls	6.69 lbs.
10" Roll Valley – 50'	75 rolls	17.00 lbs.
10" Roll Valley – 10'	75 rolls	3.40 lbs.
10" Roll Valley – 25'	75 rolls	8.50 lbs.

Please see Roll Valley Product Directory for more information.

continued

ECONOMY GALVANIZED ROLL VALLEY

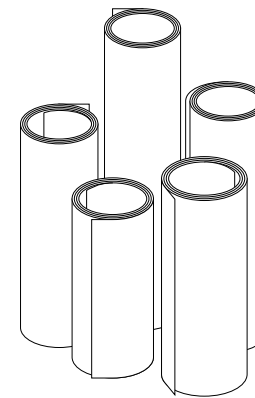
continued



PRODUCT DESCRIPTION	PACKAGING PER PALLET	WEIGHT PER ROLL
12" Roll Valley – 50'	50 rolls	20.19 lbs.
12" Roll Valley – 10'	50 rolls	4.04 lbs.
12" Roll Valley – 25'	50 rolls	10.09 lbs.
14" Roll Valley – 50'	50 rolls	23.37 lbs.
14" Roll Valley – 10'	50 rolls	4.67 lbs.
14" Roll Valley – 25'	50 rolls	11.69 lbs.
16" Roll Valley – 50'	50 rolls	26.77 lbs.
16" Roll Valley – 10'	50 rolls	5.35 lbs.
16" Roll Valley – 25'	50 rolls	13.39 lbs.
18" Roll Valley – 50'	25 rolls	30.17 lbs.
18" Roll Valley – 10'	25 rolls	6.03 lbs.
18" Roll Valley – 25'	25 rolls	15.09 lbs.
20" Roll Valley – 50'	25 rolls	33.57 lbs.
20" Roll Valley – 10'	25 rolls	6.71 lbs.
20" Roll Valley – 25'	25 rolls	16.79 lbs.
24" Roll Valley – 50'	25 rolls	40.37 lbs.
24" Roll Valley – 10'	25 rolls	8.07 lbs.
24" Roll Valley – 25'	25 rolls	20.19 lbs.
36" Roll Valley – 50'	25 rolls	61.19 lbs.
36" Roll Valley – 10'	25 rolls	12.24 lbs.
36" Roll Valley – 25'	25 rolls	30.60 lbs.

Please see Roll Valley Product Directory for more information.

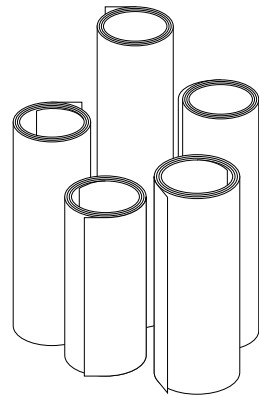
STANDARD ALUMINUM ROLL VALLEY



PRODUCT DESCRIPTION	PACKAGING PER PALLET	WEIGHT PER ROLL
4" Standard Aluminum Roll Valley – 50'	100 rolls	2.50 lbs.
4" Standard Aluminum Roll Valley – 10'	100 rolls	.50 lbs.
4" Standard Aluminum Roll Valley – 25'	100 rolls	1.25 lbs.
6" Standard Aluminum Roll Valley – 50'	125 rolls	3.50 lbs.
6" Standard Aluminum Roll Valley – 10'	125 rolls	.70 lbs.
6" Standard Aluminum Roll Valley – 25'	125 rolls	1.75 lbs.
8" Standard Aluminum Roll Valley – 50'	150 rolls	5.00 lbs.
8" Standard Aluminum Roll Valley – 10'	150 rolls	1.00 lb.
8" Standard Aluminum Roll Valley – 25'	150 rolls	2.50 lbs.
10" Standard Aluminum Roll Valley – 50'	125 rolls	6.50 lbs.
10" Standard Aluminum Roll Valley – 10'	125 rolls	1.30 lbs.
10" Standard Aluminum Roll Valley – 25'	125 rolls	3.25 lbs.
12" Standard Aluminum Roll Valley – 50'	100 rolls	7.00 lbs.
12" Standard Aluminum Roll Valley – 10'	100 rolls	1.40 lbs.
12" Standard Aluminum Roll Valley – 25'	100 rolls	3.50 lbs.
14" Standard Aluminum Roll Valley – 50'	100 rolls	8.50 lbs.
14" Standard Aluminum Roll Valley – 10'	100 rolls	1.70 lbs.
14" Standard Aluminum Roll Valley – 25'	100 rolls	4.25 lbs.
16" Standard Aluminum Roll Valley – 50'	75 rolls	9.50 lbs.
16" Standard Aluminum Roll Valley – 10'	75 rolls	1.90 lbs.
16" Standard Aluminum Roll Valley – 25'	75 rolls	4.75 lbs.
18" Standard Aluminum Roll Valley – 50'	75 rolls	10.50 lbs.
18" Standard Aluminum Roll Valley – 10'	75 rolls	2.10 lbs.
18" Standard Aluminum Roll Valley – 25'	75 rolls	5.25 lbs.
20" Standard Aluminum Roll Valley – 50'	50 rolls	12.00 lbs.
20" Standard Aluminum Roll Valley – 10'	50 rolls	2.40 lbs.
20" Standard Aluminum Roll Valley – 25'	50 rolls	6.00 lbs.
24" Standard Aluminum Roll Valley – 50'	50 rolls	14.50 lbs.
24" Standard Aluminum Roll Valley – 10'	50 rolls	2.90 lbs.
24" Standard Aluminum Roll Valley – 25'	50 rolls	7.25 lbs.
36" Standard Aluminum Roll Valley – 50'	25 rolls	22.00 lbs.
36" Standard Aluminum Roll Valley – 10'	25 rolls	4.40 lbs.
36" Standard Aluminum Roll Valley – 25'	25 rolls	11.00 lbs.

Please see Roll Valley Product Directory for more information.

ECONOMY ALUMINUM ROLL VALLEY



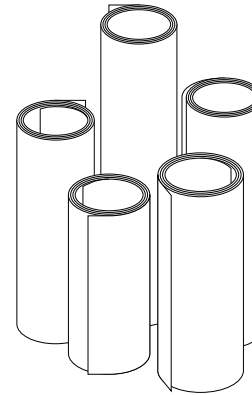
PRODUCT DESCRIPTION	PACKAGING PER PALLET	WEIGHT PER ROLL
4" Economy Aluminum Roll Valley – 50'	100 rolls	2.00 lbs.
4" Economy Aluminum Roll Valley – 10'	100 rolls	.40 lbs.
4" Economy Aluminum Roll Valley – 25'	100 rolls	1.00 lb.
6" Economy Aluminum Roll Valley – 50'	125 rolls	2.00 lbs.
6" Economy Aluminum Roll Valley – 10'	125 rolls	.60 lbs.
6" Economy Aluminum Roll Valley – 25'	125 rolls	1.50 lbs.
8" Economy Aluminum Roll Valley – 50'	150 rolls	4.00 lbs.
8" Economy Aluminum Roll Valley – 10'	150 rolls	.80 lbs.
8" Economy Aluminum Roll Valley – 25'	150 rolls	2.00 lbs.
10" Economy Aluminum Roll Valley – 50'	125 rolls	5.00 lbs.
10" Economy Aluminum Roll Valley – 10'	125 rolls	1.00 lb.
10" Economy Aluminum Roll Valley – 25'	125 rolls	2.50 lbs.
12" Economy Aluminum Roll Valley – 50'	100 rolls	6.00 lbs.
12" Economy Aluminum Roll Valley – 10'	100 rolls	1.20 lbs.
12" Economy Aluminum Roll Valley – 25'	100 rolls	3.00 lbs.
14" Economy Aluminum Roll Valley – 50'	100 rolls	7.00 lbs.
14" Economy Aluminum Roll Valley – 10'	100 rolls	1.40 lbs.
14" Economy Aluminum Roll Valley – 25'	100 rolls	3.50 lbs.
16" Economy Aluminum Roll Valley – 50'	75 rolls	8.00 lbs.
16" Economy Aluminum Roll Valley – 10'	75 rolls	1.60 lbs.
16" Economy Aluminum Roll Valley – 25'	75 rolls	4.00 lbs.
18" Economy Aluminum Roll Valley – 50'	75 rolls	9.00 lbs.
18" Economy Aluminum Roll Valley – 10'	75 rolls	1.80 lbs.
18" Economy Aluminum Roll Valley – 25'	75 rolls	4.50 lbs.

Please see Roll Valley Product Directory for more information.

continued

ECONOMY ALUMINUM ROLL VALLEY

continued



PRODUCT DESCRIPTION	PACKAGING PER PALLET	WEIGHT PER ROLL
20" Economy Aluminum Roll Valley – 50'	50 rolls	10.50 lbs.
20" Economy Aluminum Roll Valley – 10'	50 rolls	2.10 lbs.
20" Economy Aluminum Roll Valley – 25'	50 rolls	5.25 lbs.
24" Economy Aluminum Roll Valley – 50'	50 rolls	12.50 lbs.
24" Economy Aluminum Roll Valley – 10'	50 rolls	2.50 lbs.
24" Economy Aluminum Roll Valley – 25'	50 rolls	6.25 lbs.
36" Economy Aluminum Roll Valley – 50'	25 rolls	19.00 lbs.
36" Economy Aluminum Roll Valley – 10'	25 rolls	3.80 lbs.
36" Economy Aluminum Roll Valley – 25'	25 rolls	9.50 lbs.

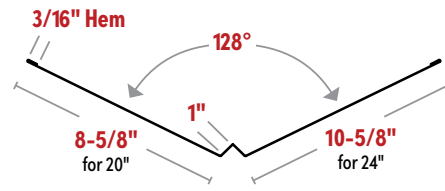
Please see Roll Valley Product Directory for more information.

FLAT SHEETS

PRODUCT DESCRIPTION	PIECES PER
29-Ga. Sheet – 36" x 96"	25
29-Ga. Sheet – 36" x 120"	25

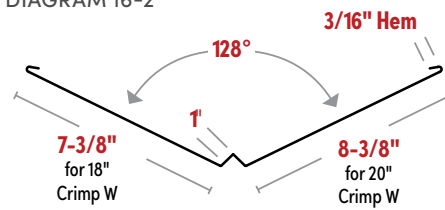
STYLE W FORMED VALLEY

DIAGRAM 16-1



PRODUCT DESCRIPTION	PIECES PER	
	STEEL	ALUMINUM
Style W Formed Valley		
20" Style W Formed Valley – 10'	10	10
24" Style W Formed Valley – 10'	10	10
24" Style W Formed Valley – 26 Ga. – 10'	10	N/A

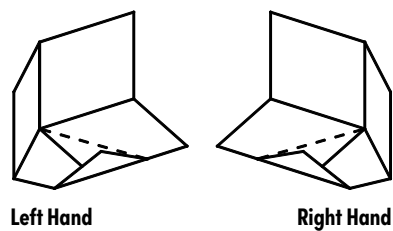
DIAGRAM 16-2



PRODUCT DESCRIPTION	PIECES PER	
	STEEL	ALUMINUM
Style W Formed Valley with Crimp		
18" Style W Formed Valley w/ Crimp – 10'	10	10
20" Style W Formed Valley w/ Crimp – 10'	10	10

Please see W Valley Product Directory for more information.

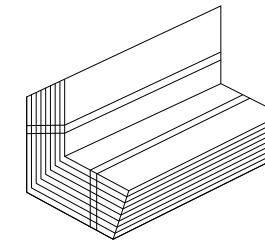
KICK-OUT FLASHING



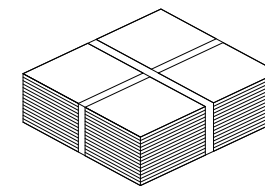
PRODUCT DESCRIPTION	PIECES PER	
	STEEL	ALUMINUM
Left Hand, 4" x 4" x 8" Seamless – 130° Deflection	25	
Right Hand, 4" x 4" x 8" Seamless – 130° Deflection	25	

Please see Shingles Product Directory for more information.

FLASHING SHINGLES



Crimp Shingle



Flat Shingle

PRODUCT DESCRIPTION	PIECES PER	
	STEEL	ALUMINUM
5" x 7" Shingles	100	100
5" x 7" Shingles	N/A	500
2-1/2" x 2-1/2" x 7" Shingles	100	100
2-1/2" x 2-1/2" x 7" Shingles	N/A	500
2" x 3" x 7" Shingles	100	100
2" x 3" x 7" Shingles	N/A	500
6" x 8" Shingles	100	100
3" x 3" x 8" Shingles	100	100
3" x 4" x 7" Shingles	N/A	500
7" x 9" Shingles	100	100
7" x 10" Shingles	N/A	500
8" x 7" Shingles	100	100
8" x 7" Shingles	N/A	500
4" x 4" x 8" Shingles	50	50
8" x 8" Shingles	100	100
8" x 8" Shingles	N/A	500
4" x 4" x 8" Shingles	100	100
4" x 4" x 8" Shingles	N/A	500
8" x 9" Shingles	N/A	500
8" x 10" Shingles	N/A	500
5" x 5" x 8" Shingles	100	100
10" x 10" Shingles	100	100
5" x 5" x 10" Shingles	100	100
8" x 14" Shingles	50	50
4" x 4" x 14" Shingles	50	50

Please see Shingles Product Directory for more information.

FLASHING COLLECTION

TRADITIONAL BUILDING PRODUCTS (STEEL ONLY)

KEY:

* = .015 29 Gauge
 † = .012 32 Gauge
 ∂ = .020 26 Gauge



Klauer flashing material type and color availability vary by product and geographic region. Minimum order quantities may apply to non-standard materials and colors. Please contact your Klauer representative for availability in your area.



The colors shown are intended only as an approximation of the actual colors. Color chips are available upon request.

FLASHING COLLECTION

continued

KLAUER CLASSIC (ALUMINUM AND STEEL)



*Available in Steel only.

KLAUER SELECT (ALUMINUM ONLY)



The colors shown are intended only as an approximation of the actual colors. Color chips are available upon request.

Klauer flashing material type and color availability vary by product and geographic region. Minimum order quantities may apply to non-standard materials and colors. Please contact your Klauer representative for availability in your area.

ROOF EDGE PRODUCT DIRECTORY

PART NUMBER	PRODUCT DESCRIPTION	MATERIAL	GAUGE/DECIMAL	QTY. PER	DIAGRAM
31999	1" x 2" Style A Roof Edge – CTNS 10'	Steel	26	50	4-1
32013	1" x 2" Style A Roof Edge – CTNS 10'	Steel	32	50	4-1
31998	1" x 2" Style A Roof Edge – CTNS 10'	Steel	34	25	4-1
32001	1" x 2" Style A Roof Edge – CTNS 10'	Steel	32	25	4-1
32005	1" x 2" Style A Roof Edge – WRAP 10'	Steel	30	50	4-1
32008	1" x 2" Style A Roof Edge – WRAP 10'	Steel	32	50	4-1
32814	1.5" x 1.5" Style A Roof Edge – CTNS 10'	Steel	32	25	4-1
32803	1.5" x 1.5" Style A Roof Edge – CTNS 10'	Steel	34	25	4-1
32810	1.5" x 1.5" Style A Roof Edge – WRAP 10'	Steel	30	50	4-1
32819	1.5" x 1.5" Style A Roof Edge – WRAP 10'	Steel	30	25	4-1
32812	1.5" x 1.5" Style A Roof Edge – WRAP 10'	Steel	32	25	4-1
32811	1.5" x 1.5" Style A Roof Edge – WRAP 10'	Steel	32	50	4-1
32799	1.5" x 1.5" Style A Roof Edge – WRAP 10'	Steel	34	50	4-1
32811	1.5" x 1.5" Style A Roof Edge (C-3 3" Rake Edge) – WRAP 10'	Aluminum	.012	50	4-1
32818	1.5" x 1.5" Style A Roof Edge (OS No Hem) – WRAP 10'	Aluminum	.012	25	4-1
32823	1.5" x 1.5" Style A Roof Edge (OS No Hem) – WRAP 10'	Aluminum	.012	50	4-1
32818	1.5" x 1.5" Style A Roof Edge (OS No Hem) – WRAP 10'	Aluminum	.017	25	4-1
32823	1.5" x 1.5" Style A Roof Edge (OS No Hem) – WRAP 10'	Aluminum	.017	50	4-1
32818	1.5" x 1.5" Style A Roof Edge (OS No Hem) – WRAP 10'	Steel	30	25	4-1
32806	1.5" x 1.5" Style A Roof Edge (OS No Hem) – WRAP 10'	Steel	32	25	4-1
32817	1.5" x 1.5" Style A Roof Edge (OS No Hem) – WRAP 10'	Steel	32	50	4-1
32809	1.5" x 1.5" Style A Roof Edge Embossed – CTNS 10'	Steel	32	25	4-1
32808	1.5" x 1.5" Style A Roof Edge Embossed – CTNS 10'	Steel	32	50	4-1
32007	1-1/2" x 2" Style A Roof Edge – WRAP 10'	Aluminum	.017	50	4-1
31986	1-1/2" x 2" Style A Roof Edge (OS No Hem) – CTNS 10'	Steel	32	25	4-1
32037	1-1/2" x 3" Style A Roof Edge – WRAP 10'	Steel	30	25	4-1
32033	1-1/2" x 3-1/2" (C5) Style A Roof Edge – WRAP 10'	Steel	30	25	4-1
32045	2" x 2" Style A Roof Edge – CTNS 10'	Steel	26	25	4-1
32021	2" x 2" Style A Roof Edge – CTNS 0'	Steel	30	25	4-1
32039	2" x 2" Style A Roof Edge – CTNS 10'	Steel	32	25	4-1
32063	2" x 2" Style A Roof Edge – CTNS 10'	Steel	34	25	4-1
32020	2" x 2" Style A Roof Edge – WRAP 10'	Steel	30	25	4-1
32022	2" x 2" Style A Roof Edge – WRAP 10'	Steel	32	25	4-1

continued

ROOF EDGE PRODUCT DIRECTORY

continued

PART NUMBER	PRODUCT DESCRIPTION	MATERIAL	GAUGE/DECIMAL	QTY. PER	DIAGRAM
32023	2" x 2" Style A Roof Edge (OS No Hem) – WRAP 10'	Steel	32	25	4-1
31990	2" x 2" Style A Roof Edge (OS No Hem) – WRAP 10'	Steel	26	25	4-1
32090	2" x 2" Style A Roof Edge Embossed – CTNS 10'	Steel	32	25	4-1
32025	2" x 2" Style A Roof Edge – WRAP 10'	Aluminum	.017	25	4-1
32025	2" x 2" Style A Roof Edge – WRAP 10'	Steel	30	25	4-1
32026	2" x 2" Style A Roof Edge – WRAP 10'	Steel	32	25	4-1
32024	2" x 2" Style A Roof Edge – WRAP 10'	Steel	34	25	4-1
32027	2" x 3" Style A Roof Edge (2" Face) – WRAP 10'	Steel	30	25	4-1
32047	2" x 4" Style A Roof Edge – CTNS 10'	Steel	26	25	4-1
32014	2" x 4" Style A Roof Edge – CTNS 10'	Steel	30	25	4-1
31988	2" x 4" Style A Roof Edge – WRAP 10'	Aluminum	.017	25	4-1
32019	2" x 4" Style A Roof Edge – WRAP 10'	Steel	32	25	4-1
31994	2" x 4" Style A Roof Edge (120 Degree) – WRAP 10'	Aluminum	.017	25	4-1
32018	2" x 4" Style A Roof Edge (OS No Hem) – WRAP 10'	Steel	32	25	4-1
33103	2" x 4" Style G Roof Edge (OS No Hem) – WRAP 10'	Steel	26	10	4-1
31987	2" x 5" Style A Roof Edge 8/12 Pitch – WRAP 10'	Aluminum	.017	25	4-1
32055	3" x 3" Style A Roof Edge – WRAP 10'	Steel	26	25	4-1
32035	3" x 3" Style A Roof Edge – WRAP 10'	Steel	30	25	4-1
32053	3" x 3" Style A Roof Edge – WRAP 10'	Steel	32	25	4-1
32087	3" x 3" Style A Roof Edge – WRAP 10'	Steel	32	25	4-1
32071	3" x 3" Style A Roof Edge (OS No Hem) – WRAP 10'	Steel	26	25	4-1
32078	3" x 3" Style A Roof Edge (OS No Hem) – WRAP 10'	Steel	32	25	4-1
32061	4" x 4" Style A Roof Edge – WRAP 10'	Steel	26	10	4-1
32041	4" x 4" Style A Roof Edge – WRAP 10'	Steel	30	10	4-1
32059	4" x 4" Style A Roof Edge – WRAP 10'	Steel	32	10	4-1
32043	4" x 4" Style A Roof Edge – WRAP 10'	Steel	34	10	4-1
32077	4" x 4" Style A Roof Edge (OS No Hem) – CTNS 10'	Steel	32	10	4-1
33105	4" Style G FHA Roof Edge (OS No Hem) – WRAP 10'	Steel	26	25	N/A
33109	4" Style G FHA Roof Edge (OS No Hem) – WRAP 10'	Steel	30	25	N/A
32583	4-1/2" Eaves Drip – CTNS 10'	Aluminum	.012	50	5-2
32583	4-1/2" Eaves Drip – CTNS 10'	Aluminum	.017	50	5-2
32571	4-1/2" Eaves Drip – CTNS 10'	Aluminum	.017	50	5-2
32570	4-1/2" Eaves Drip – CTNS 10'	Steel	30	25	5-2

continued

ROOF EDGE PRODUCT DIRECTORY

continued

PART NUMBER	PRODUCT DESCRIPTION	MATERIAL	GAUGE/DECIMAL	QTY. PER	DIAGRAM
32584	4-1/2" Eaves Drip (5" Girth) – CTNS 10'	Aluminum	.012	50	5-2
32578	4-1/2" Style SR Eaves Drip – CTNS 10'	Aluminum	.012	50	6-2
32578	4-1/2" Style SR Eaves Drip – CTNS 10'	Aluminum	.017	50	6-2
32577	4-1/2" Style SR Eaves Drip – CTNS 10'	Steel	30	25	6-2
32579	4-1/2" Style SR Eaves Drip – CTNS 10'	Steel	32	25	6-2
32494	4-1/2" Style SR Roof Edge – CTNS 10'	Aluminum	.017	50	6-1
32493	4-1/2" Style SR Roof Edge – CTNS 10'	Steel	30	25	6-1
32503	4-1/2" Style SR Roof Edge – CTNS 10'	Steel	32	25	6-1
32492	4-1/2" Style SR Roof Edge – WRAP 10'	Steel	32	25	6-1
32542	4-1/2" Style D Roof Edge – CTNS 10'	Aluminum	.017	50	5-1
32516	4-1/2" Style D Roof Edge – CTNS 10'	Steel	30	25	5-1
32515	4-1/2" Style D Roof Edge – CTNS 10'	Steel	32	25	5-1
32523	5" "SR" Eaves Drip – CTNS 10'	Aluminum	.012	50	6-2
32519	5" "SR" Eaves Drip – CTNS 10'	Aluminum	.017	50	6-2
32513	5" "SR" Eaves Drip – CTNS 10'	Steel	30	25	6-2
32586	5" Eaves Drip – CTNS 10'	Aluminum	.012	50	N/A
32585	5" Eaves Drip – CTNS 10'	Aluminum	.017	50	N/A
32508	5" Style SR Roof Edge – CTNS 10'	Aluminum	.017	25	6-1
32511	5" Style SR Roof Edge – CTNS 10'	Aluminum	.017	50	6-1
32498	5" Style SR Roof Edge – CTNS 10'	Steel	26	25	6-1
32512	5" Style SR Roof Edge – CTNS 10'	Steel	26	25	6-1
32508	5" Style SR Roof Edge – CTNS 10'	Steel	30	25	6-1
32509	5" Style SR Roof Edge – CTNS 10'	Steel	32	25	6-1
32200	5" Style C Roof Edge – CTNS 10'	Aluminum	.017	25	4-2
32200	5" Style C Roof Edge – CTNS 10'	Steel	30	25	4-2
32415	5" Style D Roof Edge – CTNS 10'	Steel	30	25	5-1
32416	5" Style D Roof Edge – CTNS 10'	Steel	32	25	5-1
32535	5" Style SROLL Roof Edge – CTNS 10'	Aluminum	.017	50	6-1
32531	5" Style SROLL Roof Edge – CTNS 10'	Steel	32	25	6-1
32520	5" Style SR Eaves Drip – CTNS 10'	Steel	32	25	6-2
32522	5-1/2" SR Eaves Drip – CTNS 10'	Aluminum	.017	50	6-2
32560	5-1/2" Style D Roof Edge – CTNS 10'	Aluminum	.017	50	5-1

continued

ROOF EDGE PRODUCT DIRECTORY

continued

PART NUMBER	PRODUCT DESCRIPTION	MATERIAL	GAUGE/DECIMAL	QTY. PER	DIAGRAM
32550	5-1/2" Style D Roof Edge – CTNS 10'	Steel	30	25	5-1
32673	5-1/2" Style L Roof Edgd – CTNS 10'	Aluminum	.012	50	5-4
32679	5-1/2" Style L Roof Edgd – CTNS 10'	Aluminum	.017	50	5-4
32672	5-1/2" Style L Roof Edgd – CTNS 10'	Aluminum	.017	50	5-4
32674	5-1/2" Style L Roof Edgd – CTNS 10'	Steel	30	25	5-4
32548	5-1/2" Style SROLL Roof Edge – CTNS 10'	Aluminum	.017	50	6-1
32545	5-1/2" Style SROLL Roof Edge – CTNS 10'	Steel	30	25	6-1
32544	5-1/2" Style SROLL Roof Edge – CTNS 10'	Steel	32	25	6-1
32689	5-1/2" Style SROLL Roof Edge – CTNS 10'	Steel	32	25	6-1
32525	6" SR Eaves Drip – CTNS 10'	Aluminum	.017	50	6-2
32610	6" Modified Roof Edge – WRAP 10'	Steel	32	25	N/A
32910	6" Roof Starter – WRAP 10'	Steel	30	10	7-3
32565	6" Style SR Roof Edge – CTNS 10'	Steel	32	25	N/A
32315	6" Style CC Roof Edge – WRAP 10'	Aluminum	.017	25	4-2
32310	6" Style CC Roof Edge – WRAP 10'	Steel	30	25	4-2
32451	6" Style D Roof Edge – CTNS 10'	Steel	30	25	5-1
32455	6" Style D Roof Edge – CTNS 10'	Steel	30	25	5-1
32452	6" Style D Roof Edge – CTNS 10'	Steel	32	25	5-1
32450	6" Style D Roof Edge – WRAP 10'	Steel	30	25	5-1
32600	6" Style D-GA Gutter Apron – WRAP 10'	Steel	30	25	6-4
32685	6" Style L Roof Edge – CTNS 10'	Aluminum	.017	50	5-4
32683	6" Style L Roof Edge – CTNS 10'	Steel	30	25	5-4
32691	6" Style L Roof Edge – CTNS 10'	Steel	32	25	5-4
32690	6" Style LL Roof Edge – CTNS 10'	Aluminum	.017	25	5-4
32694	6" Style LL Roof Edge – CTNS 10'	Steel	26	25	5-4
32690	6" Style LL Roof Edge – CTNS 10'	Steel	30	25	5-4
32692	6" Style LL Roof Edge – CTNS 10'	Steel	32	25	5-4
32695	6" Style LL Roof Edge – CTNS 12'	Steel	30	20	5-4
32611	7-1/2" Modified Roof Edge – WRAP 10'	Steel	32	25	N/A
32602	8" Eaves Drip – CTNS 10'	Aluminum	.012	50	5-3
32604	8" Eaves Drip – CTNS 10'	Aluminum	.017	50	5-3
32470	8" Style D Roof Edge – CTNS 10'	Steel	30	20	5-1
32530	T-Roof Trim – CTNS 12'	Aluminum	.017	25	7-1

GUTTER APRON PRODUCT DIRECTORY

PART NUMBER	PRODUCT DESCRIPTION	MATERIAL	GAUGE/DECIMAL	QTY. PER	DIAGRAM
32992	2" X 2" Gutter Apron – CTNS 10'	Steel	30	25	N/A
33001	2" X 3" Gutter Apron – CTNS 10'	Aluminum	.012	25	6-3
33007	2" X 3" Gutter Apron – BDLS 10'	Steel	30	25	6-3
33008	2" X 3" Gutter Apron – CTNS 10'	Aluminum	.017	25	6-3
33008	2" X 3" Gutter Apron – CTNS 10'	Steel	30	25	6-3
33009	2" X 3" Gutter Apron – CTNS 10'	Steel	32	25	6-3
33012	2" X 3" Gutter Apron – CTNS 10'	Steel	26	25	6-3
33015	2" X 4" Gutter Apron – CTNS 10'	Steel	30	25	6-3
33016	2" X 4" Gutter Apron – CTNS 10'	Steel	26	25	6-3
33050	3" X 3" Gutter Apron – BDLS 10'	Steel	30	25	6-3
32600	6" Style D-Ga Gutter Apron – WRAP 10'	Steel	30	25	6-4

GRAVEL STOP PRODUCT DIRECTORY

PART NUMBER	PRODUCT DESCRIPTION	MATERIAL	GAUGE/DECIMAL	QTY. PER	DIAGRAM
32700	5" Girth Gravel Stop 10'	Steel	30	25/BDL	7-2
32720	7" Girth Gravel Stop 10'	Steel	30	25/CTN	7-2
32725	8" Girth Gravel Stop 10'	Steel	30	25/BDL	7-2
32732	10" Girth Gravel Stop 10'	Steel	30	10/BDL	7-2
84210	10' Dormer Flashing	Steel	30	10/BDL	8-3
88810	10' Dormer Flashing	Steel	30	10/BDL	8-3
86450	10' Deck Flashing	Steel	30	10/BDL	9-1
88820	10' – 4 1/4" Reglet W/ Return	Steel	30	10/BDL	9-2
88830	10' – 4 1/4" Reglet W/ No Return	Steel	30	10/BDL	9-3
85830	10' Deck Starter	Steel	30	10/BDL	9-4
85440	10' – 7 1/2" Rain Diverter	Steel	30	10/BDL	9-5
88950	10' – Rain Diverter W/ Hem	Steel	30	10/BDL	9-6
89755	10' Rain Diverter	Steel	30	10/BDL	9-7

WINDOW CAP PRODUCT DIRECTORY

PART NUMBER	PRODUCT DESCRIPTION	MATERIAL	GAUGE/DECIMAL	QTY. PER	DIAGRAM
33186	1" Header Window Capping – WRAP 10'	Aluminum	.017	50	8-1
33187	1" Header Window Capping 2" Back Leg – WRAP 10'	Aluminum	.017	50	8-1
33187	1" Header Window Capping 2" Back Leg – WRAP 10'	Steel	30	50	8-1
33190	1-1/16" Header Window Capping – WRAP 10'	Aluminum	.017	50	8-1
33190	1-1/16" Header Window Capping – WRAP 10'	Steel	30	50	8-1
33196	1-1/8" Header Window Capping – WRAP 10'	Aluminum	.017	50	8-1
33196	1-1/8" Header Window Capping – WRAP 10'	Steel	30	50	8-1
33197	1-1/8" Header Window Capping – WRAP 10'	Steel	32	50	8-1
33195	1-1/8" Header Window Capping 2" Back Leg – WRAP 10'	Aluminum	.017	50	8-1
33210	1-1/4" Header Window Capping – WRAP 10'	Aluminum	.017	50	8-1
33210	1-1/4" Header Window Capping – WRAP 10'	Steel	30	50	8-1
33211	1-1/4" Header Window Capping 2" Back Leg – WRAP 10'	Aluminum	.017	50	8-1
33200	1-3/8" Header Window Capping – WRAP 10'	Aluminum	.017	50	8-1
33200	1-3/8" Header Window Capping – WRAP 10'	Aluminum	.012	50	8-1
33200	1-3/8" Header Window Capping – WRAP 10'	Steel	30	50	8-1
33201	1-3/8" Header Window Capping 2" Back Leg – WRAP 10'	Aluminum	.017	50	8-1
33220	1-1/2" Header Window Capping – WRAP 10'	Aluminum	.017	50	8-1
33220	1-1/2" Header Window Capping – WRAP 10'	Steel	30	50	8-1
33221	1-1/2" Header Window Capping – WRAP 10'	Steel	32	50	8-1
33230	1-3/4" Header Window Capping – WRAP 10'	Steel	30	50	8-1
33240	2" Header Window Capping – WRAP 10'	Aluminum	.017	50	N/A
33245	2-1/2" Header Window Capping – WRAP 10'	Steel	32	50	N/A

BASE FLASHING PRODUCT DIRECTORY

PART NUMBER	PRODUCT DESCRIPTION	MATERIAL	GAUGE/DECIMAL	QTY. PER	DIAGRAM
33694	5/16" Base Flashing – TAPE 8'	Steel	26	25	N/A
33737	5/16" Base Flashing – TAPE 8'	Steel	30	25	N/A
33695	5/16" Base Flashing – WRAP 8'	Steel	32	25	N/A
33692	5/16" Base Flashing – WRAP 10'	Steel	32	25	N/A
33693	5/16" Base Flashing – CTNS 10'	Aluminum	.017	50	N/A
33691	5/16" Base Flashing – WRAP 10'	Aluminum	.017	50	N/A
33736	3/8" Base Flashing – TAPE 8'	Steel	26	25	8-2
33735	3/8" Base Flashing – TAPE 8'	Steel	30	25	8-2
33733	3/8" Base Flashing – WRAP 8'	Steel	32	25	8-2
33739	3/8" Base Flashing – CTNS 10'	Steel	32	25	8-2
33730	3/8" Base Flashing – WRAP 10'	Steel	30	25	8-2
33731	3/8" Base Flashing – WRAP 10'	Steel	30	25	8-2
33734	3/8" Base Flashing – WRAP 10'	Steel	32	25	8-2
33738	3/8" Base Flashing – CTNS 10'	Aluminum	.017	50	8-2
33730	3/8" Base Flashing – WRAP 10'	Aluminum	.017	50	8-2
33206	3/8" Z Flashing – 2" Back – WRAP 10'	Steel	32	25	8-2
33706	7/16" Base Flashing – TAPE 8'	Steel	26	25	8-2
33705	7/16" Base Flashing – TAPE 8'	Steel	30	25	8-2
33703	7/16" Base Flashing – WRAP 8'	Steel	32	25	8-2
33707	7/16" Base Flashing – CTNS 10'	Steel	32	25	8-2
33700	7/16" Base Flashing – WRAP 10'	Steel	30	25	8-2
33701	7/16" Base Flashing – WRAP 10'	Steel	30	25	8-2
33704	7/16" Base Flashing – WRAP 10'	Steel	32	25	8-2
33700	7/16" Base Flashing – WRAP 10'	Aluminum	.017	50	8-2
33700	7/16" Base Flashing – WRAP 10'	Aluminum	.021	50	8-2
33745	1/2" Base Flashing – TAPE 8'	Steel	30	25	8-2
33747	1/2" Base Flashing – WRAP 8'	Steel	32	25	8-2
33743	1/2" Base Flashing – CTNS 10'	Steel	32	25	8-2
33742	1/2" Base Flashing – TAPE 10'	Steel	30	25	8-2
33740	1/2" Base Flashing – WRAP 10'	Steel	30	25	8-2
33741	1/2" Base Flashing – WRAP 10'	Steel	30	25	8-2
33744	1/2" Base Flashing – WRAP 10'	Steel	32	25	8-2

continued

BASE FLASHING PRODUCT DIRECTORY

continued

PART NUMBER	PRODUCT DESCRIPTION	MATERIAL	GAUGE/DECIMAL	QTY. PER	DIAGRAM
33740	1/2" Base Flashing – WRAP 10'	Aluminum	.012	50	8-2
33715	5/8" Base Flashing – TAPE 8'	Steel	26	25	8-2
33718	5/8" Base Flashing – TAPE 8'	Steel	30	25	8-2
33710	5/8" Base Flashing – WRAP 10'	Steel	30	25	8-2
33711	5/8" Base Flashing – WRAP 10'	Steel	30	25	8-2
33717	5/8" Base Flashing – WRAP 10'	Steel	32	25	8-2
33712	5/8" Base Flashing – WRAP 10'	Steel	32	25	8-2
33712	5/8" Base Flashing – WRAP 10'	Steel	30	25	8-2
33714	5/8" Base Flashing – CTNS 10'	Aluminum	.017	50	8-2
33711	5/8" Base Flashing – WRAP 10'	Aluminum	.012	50	8-2
33710	5/8" Base Flashing – WRAP 10'	Aluminum	.017	50	8-2
33711	5/8" Base Flashing – WRAP 10'	Aluminum	.017	50	8-2
33710	5/8" Base Flashing – WRAP 10'	Aluminum	.021	50	8-2
33826	3/4" Base Flashing (105 Degree) – CTNS 10'	Aluminum	.017	50	8-2
33727	3/4" Base Flashing – TAPE 8'	Steel	26	25	8-2
33725	3/4" Base Flashing – TAPE 8'	Steel	30	25	8-2
33723	3/4" Base Flashing – WRAP 8'	Steel	32	25	8-2
33708	3/4" Base Flashing – CTNS 10'	Steel	32	25	8-2
33720	3/4" Base Flashing – WRAP 10'	Steel	30	25	8-2
33721	3/4" Base Flashing – WRAP 10'	Steel	30	25	8-2
33724	3/4" Base Flashing – WRAP 10'	Steel	32	25	8-2
33728	3/4" Base Flashing – CTNS 10'	Aluminum	.017	50	8-2
33720	3/4" Base Flashing – WRAP 10'	Aluminum	.012	50	8-2
33720	3/4" Base Flashing – WRAP 10'	Aluminum	.017	50	8-2
33721	3/4" Base Flashing – WRAP 10'	Aluminum	.017	50	8-2
33762	7/8" Base Flashing – TAPE 8'	Steel	26	25	N/A
33854	7/8" Base Flashing – TAPE 8'	Steel	30	25	N/A
33855	7/8" Base Flashing – WRAP 8'	Steel	32	25	N/A
33758	7/8" Base Flashing – WRAP 10'	Steel	32	25	N/A
33822	7/8" Base Flashing – CTNS 10'	Aluminum	.017	50	N/A
33751	7/8" Base Flashing – WRAP 10'	Aluminum	.017	50	N/A
33815	1" Base Flashing – TAPE 8'	Steel	26	25	8-2

continued

BASE FLASHING PRODUCT DIRECTORY

continued

PART NUMBER	PRODUCT DESCRIPTION	MATERIAL	GAUGE/DECIMAL	QTY. PER	DIAGRAM
33763	1" Base Flashing – TAPE 8'	Steel	30	25	8-2
33767	1" Base Flashing – WRAP 8'	Steel	32	25	8-2
33830	1" Base Flashing – CTNS 10'	Steel	32	25	8-2
33760	1" Base Flashing – WRAP 10'	Steel	30	25	8-2
33764	1" Base Flashing – WRAP 10'	Steel	32	25	8-2
33778	1" Base Flashing – CTNS 10'	Aluminum	.017	50	8-2
33760	1" Base Flashing – WRAP 10'	Aluminum	.012	50	8-2
33760	1" Base Flashing – WRAP 10'	Aluminum	.017	50	8-2
33208	1" Z Flashing – 2" Back – CTNS 10'	Steel	32	25	8-2
33209	1" Z Flashing – 2" Back – CTNS 10'	Aluminum	.012	50	8-2
33835	1-1/8" Base Flashing – CTNS 10'	Steel	32	25	8-2
33765	1-1/8" Base Flashing – WRAP 10'	Steel	30	25	8-2
33755	1-1/8" Base Flashing – WRAP 10'	Steel	32	25	8-2
33768	1-1/8" Base Flashing – CTNS 10'	Aluminum	.017	50	8-2
33765	1-1/8" Base Flashing – WRAP 10'	Aluminum	.017	50	8-2
33825	1-1/4" Base Flashing (105 Degree) – CTNS 10'	Aluminum	.017	50	N/A
33816	1-1/4" Base Flashing – TAPE 8'	Steel	26	25	N/A
33774	1-1/4" Base Flashing – TAPE 8'	Steel	30	25	N/A
33773	1-1/4" Base Flashing – WRAP 8'	Steel	32	25	N/A
33831	1-1/4" Base Flashing – CTNS 10'	Steel	32	25	N/A
33770	1-1/4" Base Flashing – WRAP 0'	Steel	30	25	N/A
33772	1-1/4" Base Flashing – WRAP 10'	Steel	30	25	N/A
33769	1-1/4" Base Flashing – WRAP 10'	Steel	32	25	N/A
33818	1-1/4" Base Flashing – CTNS 10'	Aluminum	.017	50	N/A
33770	1-1/4" Base Flashing – WRAP 10'	Aluminum	.017	50	N/A
33771	1-1/4" Base Flashing – WRAP 10'	Aluminum	.017	50	N/A
33839	1-3/8" Base Flashing – CTNS 10'	Steel	32	25	N/A
33777	1-3/8" Base Flashing – TAPE 10'	Steel	30	25	N/A
33824	1-1/2" Base Flashing (105 Degree) – CTNS 10'	Aluminum	.017	50	N/A
33817	1-1/2" Base Flashing – TAPE 8'	Steel	26	25	N/A
33784	1-1/2" Base Flashing – TAPE 8'	Steel	30	25	N/A
33821	1-1/2" Base Flashing – WRAP 8'	Steel	32	25	N/A

continued

BASE FLASHING PRODUCT DIRECTORY

continued

PART NUMBER	PRODUCT DESCRIPTION	MATERIAL	GAUGE/DECIMAL	QTY. PER	DIAGRAM
33832	1-1/2" Base Flashing – CTNS 10'	Steel	32	25	N/A
33782	1-1/2" Base Flashing – TAPE 10'	Steel	30	25	N/A
33780	1-1/2" Base Flashing – WRAP 10'	Steel	30	25	N/A
33779	1-1/2" Base Flashing – WRAP 10'	Steel	32	25	N/A
33783	1-1/2" Base Flashing – CTNS 10'	Aluminum	.017	50	N/A
33780	1-1/2" Base Flashing – WRAP 10'	Aluminum	.017	50	N/A
33781	1-1/2" Base Flashing – WRAP 10'	Aluminum	.017	50	N/A
33759	1-5/8" Base Flashing – WRAP 10'	Steel	32	25	N/A
33836	1-3/4" Base Flashing – CTNS 10'	Steel	32	25	8-2
33841	1-3/4" Base Flashing (105 Degree) – CTNS 10'	Aluminum	.017	50	8-2
33788	1-3/4" Base Flashing – TAPE 8'	Steel	30	25	8-2
33793	1-3/4" Base Flashing – TAPE 8'	Steel	26	25	8-2
33790	1-3/4" Base Flashing – WRAP 10'	Steel	30	25	8-2
33823	1-3/4" Base Flashing – CTNS 10'	Aluminum	.017	50	8-2
33791	1-3/4" Base Flashing – WRAP 10'	Aluminum	.017	50	8-2
33833	2" Base Flashing – CTNS 10'	Steel	32	25	N/A
33799	2" Base Flashing – TAPE 8'	Steel	26	25	N/A
33789	2" Base Flashing – TAPE 8'	Steel	30	25	N/A
33794	2" Base Flashing – WRAP 8'	Steel	32	25	N/A
33797	2" Base Flashing – WRAP 10'	Steel	30	25	N/A
33857	2" Base Flashing – WRAP 10'	Steel	32	25	N/A
33797	2" Base Flashing – WRAP 10'	Steel	32	25	N/A
33819	2" Base Flashing – CTNS 10'	Aluminum	.017	50	N/A
33806	2-1/4" Base Flashing – TAPE 8'	Steel	30	25	N/A
33828	2-1/4" Base Flashing – CTNS 10'	Aluminum	.017	50	N/A
33834	2-1/2" Base Flashing – CTNS 10'	Steel	32	25	N/A
33840	2-1/2" Base Flashing – WRAP 10'	Steel	32	25	N/A
33809	2-1/2" Base Flashing – TAPE 8'	Steel	26	25	N/A
33812	2-1/2" Base Flashing – TAPE 8'	Steel	32	25	N/A
33858	3" Base Flashing – TAPE 8'	Steel	26	25	N/A

ROLL VALLEY PRODUCT DIRECTORY

PART NUMBER	PRODUCT DESCRIPTION	MATERIAL	GAUGE/DECIMAL	NOTE
29403	4" .010 Roll Valley – 10' Rolls	Steel	34	
29405	4" .010 Roll Valley – 25' Rolls	Steel	34	
29400	4" .010 Roll Valley – 50' Rolls	Steel	34	
29143	4" Economy Aluminum Roll Valley – 10' Rolls	Aluminum	.009	
29145	4" Economy Aluminum Roll Valley – 25' Rolls	Aluminum	.009	
29140	4" Economy Aluminum Roll Valley – 50' Rolls	Aluminum	.009	
30140	4" Ptd Alum Trim Coil – 50' Rolls	Aluminum	.017	
30003	4" Roll Valley – 10' Rolls	Steel	32	
30005	4" Roll Valley – 25' Rolls	Steel	32	
30000	4" Roll Valley – 50' Rolls	Steel	30	
30000	4" Roll Valley – 50' Rolls	Steel	32	
30143	4" Std Aluminum Roll Valley – 10' Rolls	Aluminum	.012	
30145	4" Std Aluminum Roll Valley – 25' Rolls	Aluminum	.012	
30140	4" Std Aluminum Roll Valley – 50' Rolls	Aluminum	.012	
29413	6" .010 Roll Valley – 10' Rolls	Steel	34	
29415	6" .010 Roll Valley – 25' Rolls	Steel	34	
29410	6" .010 Roll Valley – 50' Rolls	Steel	34	
29153	6" Economy Aluminum Roll Valley – 10' Rolls	Aluminum	.009	
29155	6" Economy Aluminum Roll Valley – 25' Rolls	Aluminum	.009	
29150	6" Economy Aluminum Roll Valley – 50' Rolls	Aluminum	.009	
30150	6" Ptd Alum Trim Coil – 50' Rolls	Aluminum	.017	
30013	6" Roll Valley – 10' Rolls	Steel	32	
30015	6" Roll Valley – 25' Rolls	Steel	32	
30010	6" Roll Valley – 50' Rolls	Steel	30	
30010	6" Roll Valley – 50' Rolls	Steel	32	
30017	6" Roll Valley (.012) – 25' Rolls	Steel	32	Painted Only
30153	6" Std Aluminum Roll Valley – 10' Rolls	Aluminum	.012	
30155	6" Std Aluminum Roll Valley – 25' Rolls	Aluminum	.012	
30150	6" Std Aluminum Roll Valley – 50' Rolls	Aluminum	.012	
29423	8" .010 Roll Valley – 10' Rolls	Steel	34	
29425	8" .010 Roll Valley – 25' Rolls	Steel	34	
29420	8" .010 Roll Valley – 50' Rolls	Steel	34	

continued

ROLL VALLEY PRODUCT DIRECTORY

continued

PART NUMBER	PRODUCT DESCRIPTION	MATERIAL	GAUGE/DECIMAL	NOTE
29163	8" Economy Aluminum Roll Valley – 10' Rolls	Aluminum	.009	
29165	8" Economy Aluminum Roll Valley – 25' Rolls	Aluminum	.009	
29160	8" Economy Aluminum Roll Valley – 50' Rolls	Aluminum	.009	
30023	8" Roll Valley – 10' Rolls	Steel	32	
30025	8" Roll Valley – 25' Rolls	Steel	32	
30020	8" Roll Valley – 50' Rolls	Steel	30	
30020	8" Roll Valley – 50' Rolls	Steel	32	
30027	8" Roll Valley (.012) – 25' Rolls	Steel	32	Painted Only
30163	8" Std Aluminum Roll Valley 10' Rolls	Aluminum	.012	
30165	8" Std Aluminum Roll Valley 25' Rolls	Aluminum	.012	
30160	8" Std Aluminum Roll Valley 50' Rolls	Aluminum	.012	
29433	10" .010 Roll Valley – 10' Rolls	Steel	34	
29435	10" .010 Roll Valley – 25' Rolls	Steel	34	
29430	10" .010 Roll Valley – 50' Rolls	Steel	34	
29173	10" Economy Aluminum Roll Valley – 10' Rolls	Aluminum	.009	
29175	10" Economy Aluminum Roll Valley – 25' Rolls	Aluminum	.009	
29170	10" Economy Aluminum Roll Valley – 50' Rolls	Aluminum	.009	
30173	10" Ptd Alum Trim Coil – 10' Rolls	Aluminum	.017	
30170	10" Ptd Alum Trim Coil – 50' Rolls	Aluminum	.017	
30033	10" Roll Valley – 10' Rolls	Steel	32	
30035	10" Roll Valley – 25' Rolls	Steel	32	
30030	10" Roll Valley – 50' Rolls	Steel	32	
30030	10" Roll Valley – 50' Rolls	Steel	30	
30037	10" Roll Valley (.012) – 25' Rolls	Steel	32	Painted Only
30034	10" Roll Valley (.012) – 50' Rolls	Steel	32	Painted Only
30173	10" Std Aluminum Roll Valley – 10' Rolls	Aluminum	.012	
30175	10" Std Aluminum Roll Valley – 25' Rolls	Aluminum	.012	
30170	10" Std Aluminum Roll Valley – 50' Rolls	Aluminum	.012	
29443	12" .010 Roll Valley – 10' Rolls	Steel	34	
29445	12" .010 Roll Valley – 25' Rolls	Steel	34	
29440	12" .010 Roll Valley – 50' Rolls	Steel	34	
29183	12" Economy Aluminum Roll Valley – 10' Rolls	Aluminum	.009	

continued

ROLL VALLEY PRODUCT DIRECTORY

continued

PART NUMBER	PRODUCT DESCRIPTION	MATERIAL	GAUGE/DECIMAL	NOTE
29185	12" Economy Aluminum Roll Valley – 25' Rolls	Aluminum	.009	
29180	12" Economy Aluminum Roll Valley – 50' Rolls	Aluminum	.009	
30180	12" Ptd Alum Trim Coil – 50' Rolls	Aluminum	.017	
30043	12" Roll Valley – 10' Rolls	Steel	32	
30045	12" Roll Valley – 25' Rolls	Steel	32	
30040	12" Roll Valley – 50' Rolls	Steel	30	
30040	12" Roll Valley – 50' Rolls	Steel	32	
30041	12" Roll Valley – 50' Rolls => 26 Ga <=	Steel	26	
30047	12" Roll Valley (.012) – 25' Rolls	Steel	32	Painted Only
30183	12" Std Aluminum Roll Valley – 10' Rolls	Aluminum	.012	
30185	12" Std Aluminum Roll Valley – 25' Rolls	Aluminum	.012	
30180	12" Std Aluminum Roll Valley – 50' Rolls	Aluminum	.012	
29453	14" .010 Roll Valley – 10' Rolls	Steel	34	
29455	14" .010 Roll Valley – 25' Rolls	Steel	34	
29450	14" .010 Roll Valley – 50' Rolls	Steel	34	
29193	14" Economy Aluminum Roll Valley – 10' Rolls	Aluminum	.009	
29195	14" Economy Aluminum Roll Valley – 25' Rolls	Aluminum	.009	
29190	14" Economy Aluminum Roll Valley – 50' Rolls	Aluminum	.009	
30193	14" Ptd Alum Trim Coil – 10' Rolls	Aluminum	.017	
30195	14" Ptd Alum Trim Coil – 25' Rolls	Aluminum	.017	
30190	14" Ptd Alum Trim Coil – 50' Rolls	Aluminum	.017	
30053	14" Roll Valley – 10' Rolls	Steel	32	
30055	14" Roll Valley – 25' Rolls	Steel	32	
30050	14" Roll Valley – 50' Rolls	Steel	30	
30050	14" Roll Valley – 50' Rolls	Steel	32	
30057	14" Roll Valley (.012) – 25' Rolls	Steel	32	Painted Only
30193	14" Std Aluminum Roll Valley – 10' Rolls	Aluminum	.012	
30195	14" Std Aluminum Roll Valley – 25' Rolls	Aluminum	.012	
30190	14" Std Aluminum Roll Valley – 50' Rolls	Aluminum	.012	
29463	16" .010 Roll Valley – 10' Rolls	Steel	34	
29465	16" .010 Roll Valley – 25' Rolls	Steel	34	
29460	16" .010 Roll Valley – 50' Rolls	Steel	34	

continued

ROLL VALLEY PRODUCT DIRECTORY

continued

PART NUMBER	PRODUCT DESCRIPTION	MATERIAL	GAUGE/DECIMAL	NOTE
29203	16" Economy Aluminum Roll Valley – 10' Rolls	Aluminum	.009	
29205	16" Economy Aluminum Roll Valley – 25' Rolls	Aluminum	.009	
29200	16" Economy Aluminum Roll Valley – 50' Rolls	Aluminum	.009	
30200	16" Ptd Alum Trim Coil – 50' Rolls	Aluminum	.017	
30063	16" Roll Valley – 10' Rolls	Steel	32	
30065	16" Roll Valley – 25' Rolls	Steel	32	
30060	16" Roll Valley – 50' Rolls	Steel	30	
30060	16" Roll Valley – 50' Rolls	Steel	32	
30203	16" Std Aluminum Roll Valley – 10' Rolls	Aluminum	.012	
30205	16" Std Aluminum Roll Valley – 25' Rolls	Aluminum	.012	
30200	16" Std Aluminum Roll Valley – 50' Rolls	Aluminum	.012	
29473	18" .010 Roll Valley – 10' Rolls	Steel	34	
29475	18" .010 Roll Valley – 25' Rolls	Steel	34	
29470	18" .010 Roll Valley – 50' Rolls	Steel	34	
29210	18" Economy Aluminum Roll Valley – 50' Rolls	Aluminum	.009	
30210	18" Ptd Alum Trim Coil – 50' Rolls	Aluminum	.017	
30073	18" Roll Valley – 10' Rolls	Steel	32	
30075	18" Roll Valley – 25' Rolls	Steel	32	
30070	18" Roll Valley – 50' Rolls	Steel	32	
30217	19" Ptd Alum Trim Coil – 50' Rolls	Aluminum	.017	Soffit Coil
29483	20" .010 Roll Valley – 10' Rolls	Steel	34	
29485	20" .010 Roll Valley – 25' Rolls	Steel	34	
29480	20" .010 Roll Valley – 50' Rolls	Steel	34	
29223	20" Economy Aluminum Roll Valley – 10' Rolls	Aluminum	.009	
29225	20" Economy Aluminum Roll Valley – 25' Rolls	Aluminum	.009	
29220	20" Economy Aluminum Roll Valley – 50' Rolls	Aluminum	.009	
30220	20" Ptd Alum Trim Coil – 50' Rolls	Aluminum	.017	
30083	20" Roll Valley – 10' Rolls	Steel	32	
30085	20" Roll Valley – 25' Rolls	Steel	32	
30080	20" Roll Valley – 50' Rolls	Steel	30	
30080	20" Roll Valley – 50' Rolls	Steel	32	
30081	20" Roll Valley – 50' Rolls (8" I.D.) => 26 Ga <=	Steel	26	Small Diameter

continued

ROLL VALLEY PRODUCT DIRECTORY

continued

PART NUMBER	PRODUCT DESCRIPTION	MATERIAL	GAUGE/DECIMAL	NOTE
30087	20" Roll Valley (.012) – 25' Rolls	Steel	32	Painted Only
30084	20" Roll Valley (.012) – 50' Rolls	Steel	32	Painted Only
30223	20" Std Aluminum Roll Valley – 10' Rolls	Aluminum	.012	
30225	20" Std Aluminum Roll Valley – 25' Rolls	Aluminum	.012	
30220	20" Std Aluminum Roll Valley – 50' Rolls	Aluminum	.012	
29493	24" .010 Roll Valley – 10' Rolls	Steel	34	
29495	24" .010 Roll Valley – 25' Rolls	Steel	34	
29490	24" .010 Roll Valley – 50' Rolls	Steel	34	
29233	24" Economy Aluminum Roll Valley – 10' Rolls	Aluminum	.009	
29235	24" Economy Aluminum Roll Valley – 25' Rolls	Aluminum	.009	
29230	24" Economy Aluminum Roll Valley – 50' Rolls	Aluminum	.009	
30230	24" Ptd Alum Trim Coil – 50' Rolls	Aluminum	.021	
30230	24" Ptd Alum Trim Coil – 50' Rolls	Aluminum	.021	
30230	24" Ptd Alum Trim Coil – 50' Rolls	Aluminum	.017	
30232	24" Ptd Alum Trim Coil – 50' Rolls – (10" Id)	Aluminum	.017	Large Diameter
30230	"24" Ptd Alum Trim Coil – 50' Rolls	Aluminum	.017	
30093	24" Roll Valley – 10' Rolls	Steel	32	
30095	24" Roll Valley – 25' Rolls	Steel	32	
30096	24" Roll Valley – 25' Rolls => 26 Ga. <=	Steel	26	
30090	24" Roll Valley – 50' Rolls	Steel	30	
30090	24" Roll Valley – 50' Rolls	Steel	32	
30091	24" Roll Valley – 50' Rolls => 26 Ga <=	Steel	26	
30233	24" Std Aluminum Roll Valley – 10' Rolls	Aluminum	.012	
30230	24" Std Aluminum Roll Valley – 50' Rolls	Aluminum	.012	
30231	24" Wood Grain Ptd Alum Trim Coil – 50' Rolls	Aluminum	.021	
30231	24" Wood Grain Ptd Alum Trim Coil – 50' Rolls	Aluminum	.017	
30110	28" Roll Valley – 50' Rolls	Steel	32	
29510	30" .010 Roll Valley – 50' Rolls	Steel	34	
30120	30" Roll Valley – 50' Rolls	Steel	32	
29520	36" .010 Roll Valley – 50' Rolls	Steel	34	
29260	36" Economy Aluminum Roll Valley – 50' Rolls	Aluminum	.009	
30133	36" Roll Valley – 10' Rolls	Steel	32	

continued

ROLL VALLEY PRODUCT DIRECTORY

continued

PART NUMBER	PRODUCT DESCRIPTION	MATERIAL	GAUGE/DECIMAL	NOTE
30135	36" Roll Valley – 25' Rolls	Steel	32	
30130	36" Roll Valley – 50' Rolls	Steel	32	
30260	36" Std Aluminum Roll Valley – 50' Rolls	Aluminum	.012	

W VALLEY PRODUCT DIRECTORY

PART NUMBER	PRODUCT DESCRIPTION	MATERIAL	GAUGE/DECIMAL	QTY. PER	DIAGRAM
30537	18" Style W Formed Valley 10'	Steel	30	10/BDL	N/A
30550	20" Style W Formed Valley 10'	Steel	30	10/BDL	16-1
30551	20" Style W Formed Valley 10'	Steel	30	10/BDL	16-1
30554	20" Style W Formed Valley 10'	Steel	30	10/BDL	16-1
30590	24" Style W Formed Valley 10'	Steel	30	10/BDL	16-1
30591	24" Style W Formed Valley 10'	Steel	26	10/BDL	16-1
30597	24" Style W Formed Valley 10'	Steel	26	10/BDL	16-1
30594	24" Style W Formed Valley 10'	Steel	30	10/BDL	16-1
30536	18" Style W Formed Valley W/ Crimped Edge 10'	Steel	30	10/BDL	16-2
30594	24" Style W Formed Valley W/ 1/2" Hemmed Edges 10'	Aluminum	28	10/BDL	N/A

SHINGLES PRODUCT DIRECTORY

PART NUMBER	PRODUCT DESCRIPTION	MATERIAL	GAUGE/DECIMAL	QTY. PER
31410	5x7 Shingles	Aluminum	.012	100/BDL
31410	5x7 Shingles	Steel	32	100/BDL
31416	5x7 Shingles	Aluminum	.012	100/BDL 500/CTN
31405	5x7 Shingles	Steel	32	100/CTN
31406	5x7 Shingles	Steel	34	100/CTN
31419	5x7 Shingles W/ Crimp (2" x 3" x 7")	Steel	34	100/CTN
31418	5x7 Shingles W/ Crimp (2" x 3" x 7")	Aluminum	.012	100/BDL 500/CTN
31414	5x7 Shingles W/ Crimp (2-1/2" x 2-1/2" x 7")	Steel	34	100/CTN
31413	5x7 Shingles W/ Crimp (2" x 3" x 7")	Aluminum	32	100/CTN
31413	5x7 Shingles W/ Crimp (2" x 3" x 7")	Steel	32	100/CTN
31412	5x7 Shingles W/ Crimp (2-1/2" x 2-1/2" x 7")	Steel	32	100/CTN
31412	5x7 Shingles W/ Crimp (2-1/2" x 2-1/2" x 7")	Aluminum	.012	100/CTN
31417	5x7 Shingles W/ Crimp (2-1/2" x 2-1/2" x 7")	Aluminum	.012	100/BDL 500/CTN
31430	6x12 Shingles	Aluminum	.012	100/BDL
31430	6x12 Shingles	Aluminum	.017	100/BDL
31440	6x8 Shingles	Steel	32	100/BDL
31436	6x8 Shingles W/ Crimp (2" x 4" x 8")	Steel	32	100/CTN
31442	6x8 Shingles W/ Crimp (3" x 3" x 8")	Steel	32	100/BDL
31439	6x8 Shingles W/ Crimp (3" x 3" x 8")	Aluminum	.012	100/BDL 500/CTN
31437	6x8 Shingles W/ Crimp (2" x 4" x 8")	Steel	34	100/CTN
31448	7x7 Shingles W/ Crimp (3" x 4" x 7")	Steel	34	100/CTN
31459	7x7 Shingles W/ Crimp (3" x 4" x 7")	Steel	32	100/CTN
31458	7x7 Shingles W/ Crimp (3" x 4" x 7")	Aluminum	.012	100/BDL 500/CTN
31459	7x7 Shingles W/ Crimp (3" x 4" x 7")	Aluminum	.012	100/CTN
31451	7x9 Shingles W/Crimp (3" x 4" x 9")	Aluminum	.012	100/BDL 500/CTN
31546	8x10 Shingles W/ Crimp (4" x 4" x 10")	Aluminum	.012	50 PER BDL
31498	8x12 Shingles W/ Crimp (4" x 4" x 12")	Aluminum	.012	100/CTN
31498	8x12 Shingles W/Crimp (4" x 4" x 12")	Steel	32	100/CTN
31548	8x12 Shingles W/ Crimp (4" x 4" x 12")	Steel	30	50/BDL
31548	8x12 Shingles W/Crimp (4" x 4" x 12")	Steel	32	50/BDL
31520	8x14 Shingles	Steel	32	50/BDL
31522	8x14 Shingles W/ Crimp (4" x 4" x 14")	Steel	32	50/BDL

continued

SHINGLES PRODUCT DIRECTORY

continued

PART NUMBER	PRODUCT DESCRIPTION	MATERIAL	GAUGE/DECIMAL	QTY. PER
31462	8x7 Shingles W/ Crimp (4" x 4" x 7")	Aluminum	.012	100/CTN
31467	8x7 Shingles W/ Crimp (4" x 4" x 7")	Steel	34	100/CTN
31478	8x8 Shingles	Steel	34	100/BDL
31480	8x8 Shingles	Steel	32	100/BDL
31482	8x8 Shingles W/ Crimp (4" x 4" x 8")	Aluminum	.017	100/CTN
31482	8x8 Shingles W/ Crimp (4" x 4" x 8")	Aluminum	.012	100/CTN
31484	8x8 Shingles W/ Crimp (4" x 4" x 8")	Aluminum	.012	500/CTN
31482	8x8 Shingles W/ Crimp (4" x 4" x 8")	Steel	30	100/CTN
31482	8x8 Shingles W/ Crimp (4" x 4" x 8")	Steel	32	100/CTN
31479	8x8 Shingles W/ Crimp (4" x 4" x 8")	Steel	34	100/CTN
31477	8x8 Shingles W/ Crimp (4" x 4" x 8")	Steel	34	100/BDL
31473	8x8 Shingles W/ Crimp (4" x 4" x 8")	Steel	34	50/CTN
31476	8x8 Shingles W/ Crimp (4" x 4" x 8")	Steel	32	50/BDL
31526	9-3/4x14 Shingles W/ Crimp (3-7/8" x 5-7/8" x 14")	Steel	26	20/BDL
31508	10x12 Shingles W/ Crimp (4" x 6" x 12")	Steel	32	100/BDL
31509	10x12 Shingles W/ Crimp (6" x 6" x 10")	Steel	32	100/BDL
31519	10x12 Shingles W/ Crimp (4" x 6" x 12")	Steel	34	100/BDL
31487	10x7 Shingles W/ Crimp (5" x 5" x 7")	Steel	34	100/CTN
31532	10x7 Shingles W/ Crimp (5" x 5" x 7")	Aluminum	.012	100/CTN
31489	10x8 Shingles W/ Crimp (5" x 5" x 8")	Aluminum	.012	500/CTN
31518	12x8 Shingles W/ Crimp (4" x 8" x 8")	Aluminum	.012	100/CTN
31545	Kick-Out Flashing LH (4" x 4" x 8" Crimped)	Steel	34	25/CTN
31544	Kick-Out Flashing RH (4" x 4" x 8" Crimped)	Steel	34	25/CTN



KLAUER

Infinitely Reliable.

1185 Roosevelt Ext.
PO Box 59
Dubuque, IA 52004-0059

(563) 582.7201

smsales@klauer.com

WWW.KLAUER.COM

75960 Flashing Section

75961 Full Catalog

©2023 Klauer Manufacturing Company.

CENTRALIA, IL
866.755.7636

MOBERLY, MO
800.892.5850

MT. PLEASANT, IA
800.258.5809

SPRING HILL, KS
800.490.4320

Proudly
Supplied
By



Visit our website at www.midambuilding.com