



RESIDENTIAL
METAL
ROOFING

The Metal Roofing Advantage...

Metal Sales understands a home is an important investment for your future. This is why we strive to provide top-quality metal roof panels which are attractive, affordable and durable. Our metal panel designs create a warm, eye-pleasing look that is strikingly different than conventional roofing products. Consider the many advantages a metal roof can offer your home.





Strength

Metal roofing does not warp, split or crack and is impervious to mildew, rot, termites and pests.

Weather Resistant

Properly installed metal roofing systems will withstand inclement weather (high winds, hail, snow and rain) better than any other roofing material.

Non-Combustible

Most metal roofing systems carry fire ratings which will potentially reduce homeowner's overall insurance rate.

Paint Warranty

PVDF and MS Colorfast45® paint systems carry 45 Year warranties.

Aesthetics

Metal roofing is beautiful as well as durable, and is available in many different styles, configurations and colors to fit diverse architectural requirements and tastes.

Weight

Metal roofing weighs from $\frac{1}{10}$ to $\frac{1}{2}$ as much as competing materials. Less weight translates to lower transportation and construction costs.

Maintenance

A properly installed metal roofing system is virtually maintenance free over the life of the roof.

Application

Under certain conditions, metal roofing can be installed over the top of existing roofs, bringing significant savings in time and labor in addition to eliminating the growing disposal problem associated with shingles.



Why Metal Sales?

Our metal roofing and siding panels feature the highest quality protective coating systems to ensure your roof remains pristine, holds its color and is protected under warranty for decades.

- Low maintenance
- Easy installation
- Full line of trims and accessories
- Highly resistant to wind, hail, snow and rain
- Mildew resistant and will not rot or absorb water

Vertical Seam

- Architectural/structural integral standing seam panel
- 12", 16" and 18" panel coverage, 1-3/4" rib height
- Thickness: 24 ga standard, 22 ga optional
- Snap together panel system, minimum roof slope: 3:12
- Factory-applied side lap sealant
- Concealed clip designed for thermal movement
- Applies over open framing or solid substrate
- Finishes: PVDF, MS Colorfast45[®] and Acrylic Coated Galvalume[®]

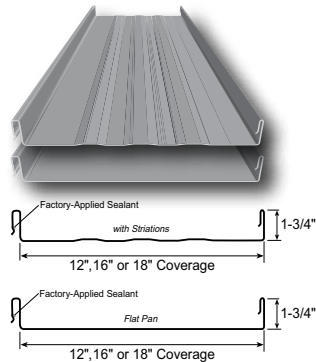
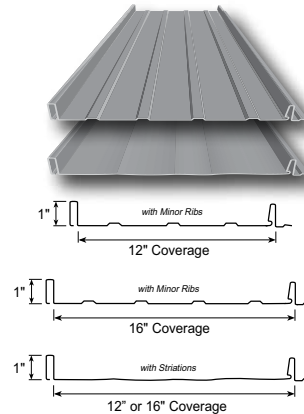


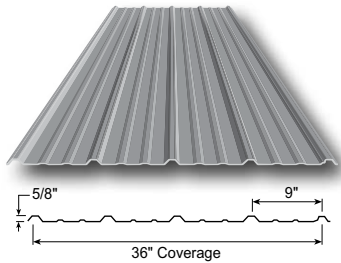
Image II™

- Architectural concealed direct fastened panel
- 12" and 16" panel coverage
- 1" rib height
- Thickness: 26 ga standard
- Minimum roof slope: 3:12
- Applies over solid substrate with 30# felt underlayment
- Finishes: MS Colorfast45[®] and Acrylic Coated Galvalume[®]



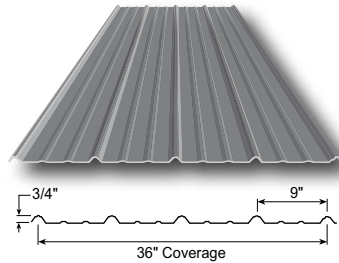
Pro-Panel II[®]

- Exposed fastened, low profile panel
- 36" panel coverage
- Trapezoidal rib on 9" centers
- 5/8" rib height
- Thickness: 29 ga and 26 ga standard
- Minimum roof slope: 3:12
- Applies over open framing or solid substrate
- Finishes: MS Colorfast45[®], Acrylic Coated Galvalume and Galvanized



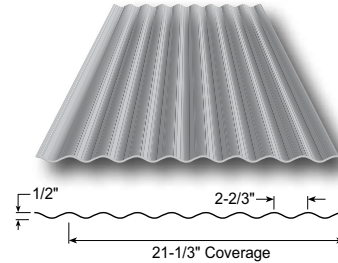
Classic Rib[®]

- Exposed fastened, low profile panel
- 36" panel coverage
- Trapezoidal rib on 9" centers
- 3/4" bell top trapezoidal rib height
- Thickness: 29 ga and 26 ga standard
- Minimum roof slope: 3:12
- Applies over open framing or solid substrate
- Finishes: MS Colorfast45[®], Acrylic Coated Galvalume[®] and Galvanized



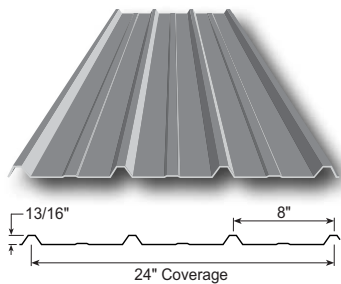
2-1/2" Corrugated

- Exposed fastened panel
- 21-1/3" panel coverage
- Corrugation on 2-2/3" centers
- 1/2" rib height
- Thickness: 29 ga and 26 ga
- Minimum roof slope: 3:12
- Applies over open framing or solid substrate
- Finishes: MS Colorfast45[®], Acrylic Coated Galvalume[®] and Galvanized



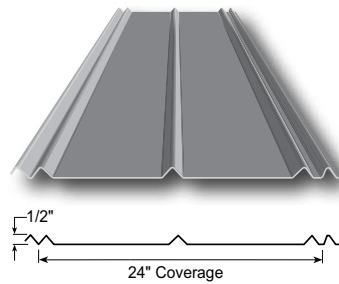
Delta Rib

- Exposed fastened panel
- 24" panel coverage
- Trapezoidal rib on 8" centers
- 13/16" rib height
- Thickness: 29 ga, and 26 ga standard
- Minimum roof slope: 3:12
- Applies over open framing or solid substrate
- Finishes: MS Colorfast45[®], Acrylic Coated Galvalume[®] and Galvanized



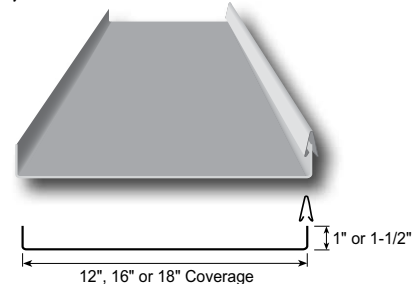
5V-Crimp

- Exposed fastened panel, traditional 'V' rib
- 24" panel coverage
- 1/2" rib height
- Thickness: 29 ga and 26 ga
- Minimum roof slope: 3:12
- Applies over solid substrate with 30# felt underlayment
- Finishes: MS Colorfast45[®], Acrylic Coated Galvalume[®] and Galvanized



Mini-Batten

- Architectural standing seam (water shedding) panel
- 12", 16" and 18" panel coverage
- 1" and 1-1/2" high rib utilizing a narrow batten cap
- Thickness: 26 ga and 24 ga standard, 22 ga optional
- Minimum roof slope: 3:12
- Concealed clip designed for thermal movement
- Applies over solid substrate with 30# felt underlayment
- Finishes: PVDF, MS Colorfast45[®] and Acrylic Coated Galvalume[®]



Note: Other panels and products are available. Contact your nearest branch for more information.

CENTRALIA, IL
866.755.7636

MOBERLY, MO
800.892.5850

MT. PLEASANT, IA
800.258.5809

SPRING HILL, KS
800.490.4320

Proudly
Supplied
By

