



# SKYLINE<sup>®</sup>

## C A B I N E T R Y





# About Us

Skyline Cabinetry is a premier wholesaler of KCMA certified kitchen and bath cabinetry. We have an exemplary reputation of providing superior products, short lead times, competitive pricing, and world-class customer service.

We are the world's fifth largest cabinet manufacturer, importing to the United State for the last 12 years. We have manufacturing plants across Asia with over 4,600 production associates worldwide. Our manufacturing capacities exceed 440,000 cabinets per month with continued growth and expansion.



Our extensive product line capabilities include the following:

- ★ Traditional Framed
- ★ European Style Frameless
- ★ Builder Grade Series
- ★ Multi-Family

1	Finish	S = Stained P = Painted U = UV Finishing T = Thermofoil Finishing M = Melamine Finishing
2	Box Construction	P = Plywood Box B= Partical Board Box
3	Accessories	M = Metal Drawer Box S = Soft Close Glides E = Epoxy Glides

We have the capabilities to provide cabinets, countertops, sinks and door hardware along with installation services.

We have three large distribution centers conveniently located in Chicago, Dallas, and Orlando. Our locations carry over 50,000 cabinets with a normal 3 - 5 business day lead time for unassembled cabinets.

Our Frameless Construction custom options include your ideas and choices.

Member



\*\*We recommend Thermofoil Finish instead of Melamine for Shaker Frameless\*\*



---

# Table of Contents

<b>Warranty.....</b>	<b>4</b>
<b>KCMA Certificate .....</b>	<b>5</b>
<b>Framed Cabinet Construction .....</b>	<b>7</b>
<b>Framed Cabinet Styles .....</b>	<b>8</b>
<b>How to Order .....</b>	<b>9</b>
<b>Framed Wall Cabinets .....</b>	<b>10-23</b>
<b>Base Cabinets .....</b>	<b>24-31</b>
<b>Pantries .....</b>	<b>32-36</b>
<b>Vanities .....</b>	<b>37-39</b>
<b>Moulding .....</b>	<b>40-42</b>
<b>Framed Filler &amp; Panels .....</b>	<b>43-45</b>
<b>Accessories .....</b>	<b>46-47</b>



# SKYLINE<sup>®</sup>

## C A B I N E T R Y

### WARRANTY

#### Limited 12 Month Warranty

Skyline Cabinetry Inc. warrants to the original consumer purchases that Skyline Cabinetry cabinets, door hinges, and drawer glides will be free from defects in material and workmanship under normal use and service for twelve months (Proof of Purchase is required). This warranty is not transferable and only applicable to product used for residential purposes. Representatives of Skyline Cabinetry do not have the authority to change or enlarge this warranty.

This warranty does not cover normal wear and tear, damage or defects caused by accidents, misuse, abuse, lack of necessary maintenance or acts of God; nor does it cover alteration, modification, improper installation, improper handling / storage, environmental conditions, nor any labor expenses.

Skyline Cabinetry Inc., at our option, may elect to repair or replace with a functionally equivalent product any Skyline Cabinetry product covered by this warranty. Some replacement parts are subject to availability and may differ from original parts received. Return of defective product may be required for a replacement to be issued. Repair parts or replacement parts are at the expense of Skyline Cabinetry Inc., but customer shall bear all other expenses. These expenses may include, but are not limited to, cost of removal and re-installation of product, labor expenses, etc.

The variation in color and grain pattern in wood adds to its natural beauty and is not considered an imperfection. Environmental factors, including but not limited to artificial / natural light, moisture, cleaners, smoke, etc., may cause the darkening or mellowing of a cabinet over time. This is a natural process and can be expected. This warranty does not cover the natural aging or darkening / mellowing of wood color, the inherent growth characteristics of, or variation in wood.

Some of the cabinet lines feature a glazed finish which accentuates the door and drawer front profiles. This glaze is hand applied over a stain or paint and may, due to the nature of application, consist of random drips, runs, etc. As glazing is a hand applied process there will be variations in color and appearance from door to door and cabinet to cabinet. This is not considered a defect and is considered normal with hand applied finishes. It is the nature of wood to expand and contract to varying degrees depending on climate conditions. As a result, cabinet lines with painted surfaces may show fractures in the paint at joints. This is normal and is not considered a defect.

This warranty is valid only in the United States of America and is not transferable. All implied warranties are limited in duration to the shorter of the period provided by law or the period of this warranty. To the extent permitted by law, this warranty excludes special, incidental, or consequential damages. Some states do not allow the exclusion or limitations of incidental or consequential damages or limitations on how long an implied warranty lasts, so the above limitations or exclusions may not apply to you. This warranty gives you specific legal rights; you may have other rights which vary from state to state. To exercise this warranty, please contact the Skyline Cabinetry supplier from whom you purchased the product.





ANSI/KCMAA161.1

**Certificate Number: 22038**  
**Issue Date: June 15, 2022**  
**Expiration Date: August 31, 2023**  
**Supersedes Certificate No.: 22044**

**LISTING**  
**CERTIFICATE**

**THIS CERTIFIES THAT**

**Skyline Cabinetry**  
**Farmers Branch, TX**

is a current participant in the Kitchen Cabinet Manufacturers Association Certification Program and is manufacturing the following lines of kitchen cabinets and/or bathroom vanity cabinets in conformance with American National Standard ANSI/KCMAA161.1-2022, *Performance and Construction Standard for Kitchen and Vanity Cabinets*:

**Factory Assembled**

Charleston Saddle  
Charleston White

Shaker Espresso  
Shaker Grey

Shaker White

These cabinet lines are listed in the Kitchen Cabinet Manufacturers Association Directory of Certified Cabinet Manufacturers. This manufacturer is authorized to apply KCMA Certification Seals to the factory assembled kitchen and bath cabinet lines listed above. Flat pack (unassembled) cabinets, if sold by this manufacturer, are not certified.

This certificate may be updated at any time and will expire on the date listed above. This certificate may also be canceled for non-conformity with the requirements of the Certification Program or upon voluntary withdrawal from the program by the manufacturer.

Charles P. Arnold  
Vice President Standards & Certification

This certificate is current as of the issue date  
Current listing information is at [www.kcma.org](http://www.kcma.org)





---

---

# Cabinet Construction Framed



1. Full overlay panel,  $\frac{3}{4}$  inch thick solid wood
2. 6-way adjustable European-stye hinge with soft-close feature
3. Shelving is  $\frac{3}{4}$  inch thick cabinet-grade plywood with front edge banding
4. Dovetail drawers with solid wood on all sides, full extension
5. Concealed under-mount full extension drawer glides with soft-close feature
6.  $\frac{1}{2}$  inch cabinet-grade plywood box, UV coated natural plywood on interior
7. Bracket reinforcements for base cabinet
8. Double-doweled face frame joint
9. Hardwood face frame
10. Door bumpers

---

---

## Shaker

- Full overlay panel door and drawer front.
- $\frac{3}{4}$  inch thick solid wood frame with MDF center.
- $\frac{3}{4}$  inch thick cabinet grade plywood shelving with front edge banding.
- Dovetail drawers with solid wood on all sides.
- $\frac{1}{2}$  inch cabinet-grade plywood box.
- UV coated natural plywood interior.
- Concealed undermount full extension drawer glides with soft close feature.
- 6 way adjustable European style hinge with soft close feature.
- Door bumpers.

---

---

## Charleston

- Full overlay panel,  $\frac{3}{4}$  inch thick solid wood frame
- $\frac{3}{4}$  inch thick cabinet grade plywood shelving with front edge banding.
- Dovetail drawers with solid wood on all sides.
- $\frac{1}{2}$  inch cabinet grade plywood box with finished exteriors.
- UV coated natural plywood interior.
- Concealed undermount full extention drawer glides with soft-close feature.
- 6 way adjustable European style hinge with soft close feature.
- Door bumpers.

# Shaker Style



SE  
Shaker Espresso



SW  
Shaker White



GR  
Shaker Gray



NB  
Navy Blue  
HDF

# Charleston Style



CW  
Charleston White

\*\*\* Note that at this time not all cabinet SKU's are available in Navy Blue.



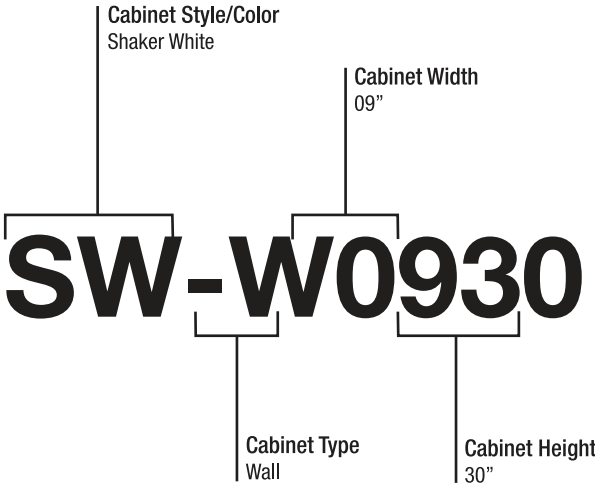
# How to Order

## Framed:

Specify the 2-letter door style (shown on page 6 of this book), followed by the product number for the cabinet.

Example:

W0930 would be the product number to use to order a Shaker White (SW) Wall Cabinet, 30" high, 9" wide and 12" deep.



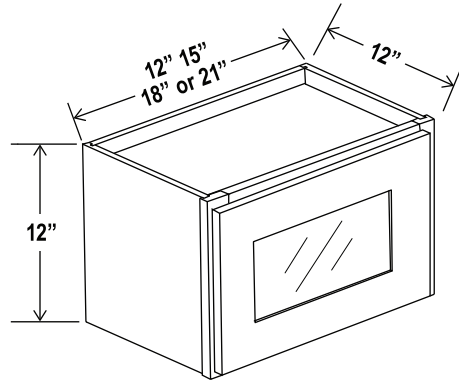
### Important Note:

All framed boxes are finished. No additional panels are needed for the exposed side.

## Wall Cabinet Single Glass Door

12"H

Item Code		W	H	D
W1212GD	Cabinet	12	12	12
	Door	11 1/2	11	3/4
W1512GD	Cabinet	15	12	12
	Door	14 1/2	11	3/4
W1812GD	Cabinet	18	12	12
	Door	17 1/2	11	3/4
W2112GD	Cabinet	21	12	12
	Door	20 1/2	11	3/4

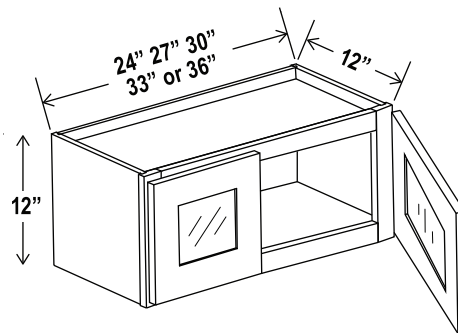


Clear glass included  
Color Matched Interior

## Wall Cabinet Double Glass Doors

12"H

Item Code		W	H	D
W2412GD	Cabinet	24	12	12
	Door	11 3/4	11	3/4
W2712GD	Cabinet	27	12	12
	Door	13 1/4	11	3/4
W3012GD	Cabinet	30	12	12
	Door	14 3/4	11	3/4
W3312GD	Cabinet	33	12	12
	Door	16 1/4	11	3/4
W3612GD	Cabinet	36	12	12
	Door	17 3/4	11	3/4

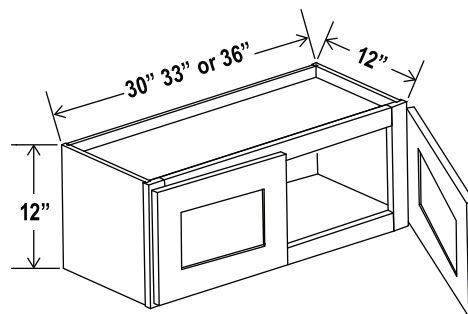


Clear glass included  
Color Matched Interior

## Wall Cabinet Double Doors

12"H

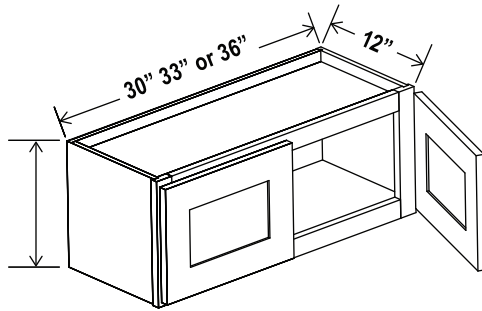
Item Code		W	H	D
W3012	Cabinet	30	12	12
	Door	14 3/4	11	3/4
W3312	Cabinet	33	12	12
	Door	16 1/4	11	3/4
W3612	Cabinet	36	12	12
	Door	17 3/4	11	3/4



No shelf



# 15"H

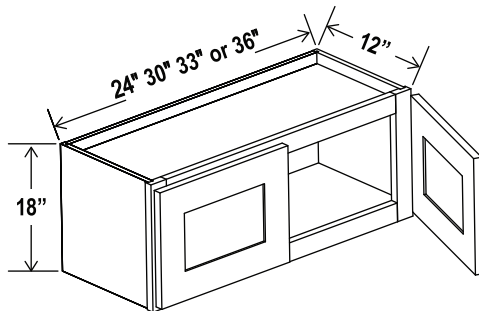


## Wall Cabinet Double Doors

Item Code		W	H	D
<b>W3015</b>	Cabinet	30	15	12
	Door	14 3/4	14	3/4
<b>W3315</b>	Cabinet	33	15	12
	Door	16 1/4	14	3/4
<b>W3615</b>	Cabinet	36	15	12
	Door	17 3/4	14	3/4

No shelf

# 18"H

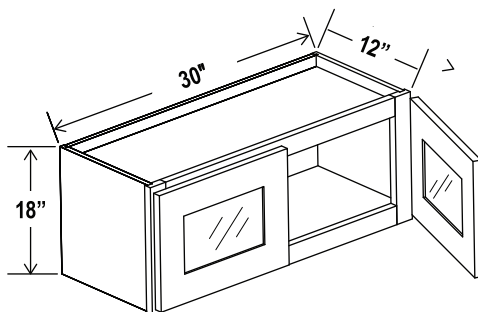


## Wall Cabinet Double Doors

Item Code		W	H	D
<b>W2418</b>	Cabinet	24	18	12
	Door	11 3/4	17	3/4
<b>W3018</b>	Cabinet	30	18	12
	Door	14 3/4	17	3/4
<b>W3318</b>	Cabinet	33	18	12
	Door	16 1/4	17	3/4
<b>W3618</b>	Cabinet	36	18	12
	Door	17 3/4	17	3/4

No shelf

# 18"H



## Wall Cabinet Double Glass Doors

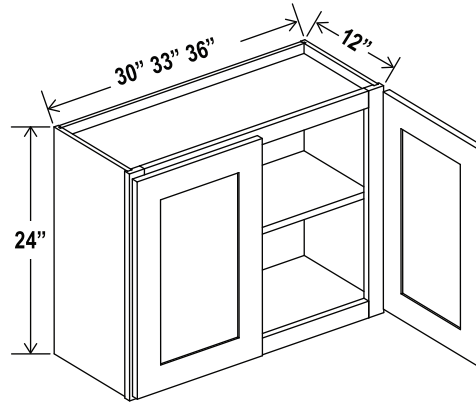
Item Code		W	H	D
<b>W3018GD</b>	Cabinet	30	18	12
	Door	14 3/4	17	3/4

Clear glass included  
Color Matched Interior

## Wall Cabinet Double Doors

24" H

Item Code		W	H	D
<b>W3024</b>	Cabinet	30	24	12
	Door	14 3/4	23	3/4
<b>W3324</b>	Cabinet	33	24	12
	Door	16 1/4	23	3/4
<b>W3624</b>	Cabinet	36	24	12
	Door	17 3/4	23	3/4

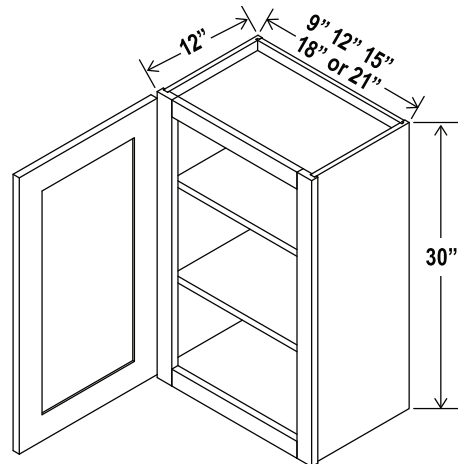


One adjustable shelf

## Wall Cabinet Single Door

30" H

Item Code		W	H	D
<b>W0930</b>	Cabinet	9	30	12
	Door	8 1/2	29	3/4
<b>W1230</b>	Cabinet	12	30	12
	Door	11 1/2	29	3/4
<b>W1530</b>	Cabinet	15	30	12
	Door	14 1/2	29	3/4
<b>W1830</b>	Cabinet	18	30	12
	Door	17 1/2	29	3/4
<b>W2130</b>	Cabinet	21	30	12
	Door	20 1/2	29	3/4

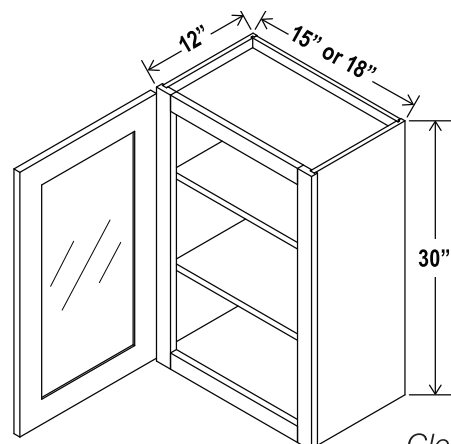


Two adjustable shelves

## Wall Cabinet Single Glass Door

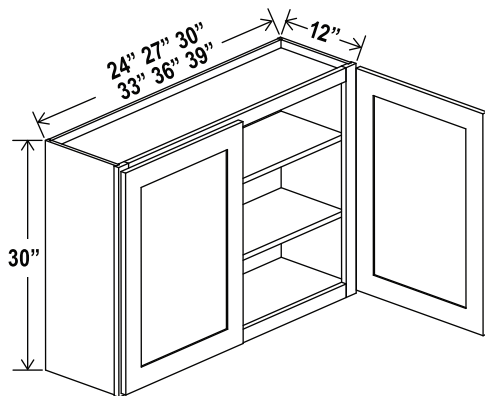
30" H

Item Code		W	H	D
<b>W1530GD</b>	Cabinet	15	30	12
	Door	14 1/2	29	3/4
<b>W1830GD</b>	Cabinet	18	30	12
	Door	17 1/2	29	3/4



Clear glass included  
Color matched interior  
Two adjustable shelves

# 30" H

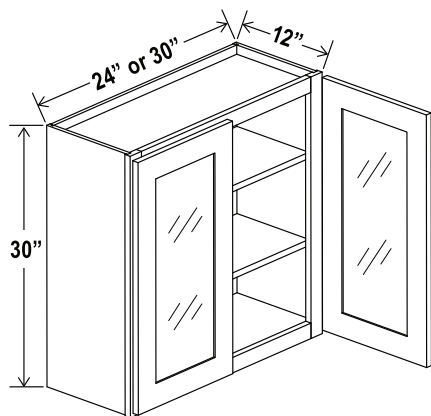


Two adjustable shelves

## Wall Cabinet Double Doors

Item Code		W	H	D
<b>W2430</b>	Cabinet	24	30	12
	Door	11 3/4	29	3/4
<b>W2730</b>	Cabinet	27	30	12
	Door	13 1/4	29	3/4
<b>W3030</b>	Cabinet	30	30	12
	Door	14 3/4	29	3/4
<b>W3330</b>	Cabinet	33	30	12
	Door	16 1/4	29	3/4
<b>W3630</b>	Cabinet	36	30	12
	Door	17 3/4	29	3/4
<b>W3930</b>	Cabinet	39	30	12
	Door	19 1/4	29	3/4

# 30" H

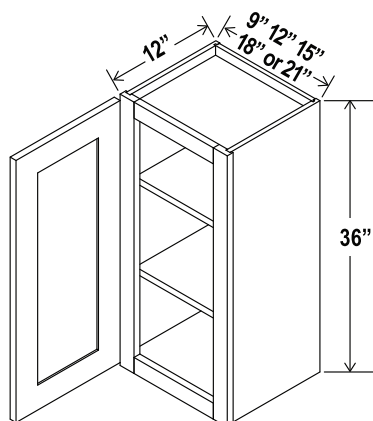


Clear glass included  
Color Matched Interior  
Two adjustable shelves

## Wall Cabinet Double Glass Doors

Item Code		W	H	D
<b>W2430GD</b>	Cabinet	24	30	12
	Door	11 3/4	29	3/4
<b>W3030GD</b>	Cabinet	30	30	12
	Door	14 3/4	29	3/4

# 36" H



Two adjustable shelves

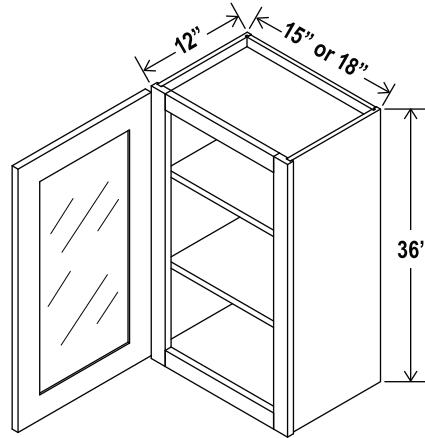
## Wall Cabinet Single Door

Item Code		W	H	D
<b>W0936</b>	Cabinet	9	36	12
	Door	8 1/2	35	3/4
<b>W1236</b>	Cabinet	12	36	12
	Door	11 1/2	35	3/4
<b>W1536</b>	Cabinet	15	36	12
	Door	14 1/2	35	3/4
<b>W1836</b>	Cabinet	18	36	12
	Door	17 1/2	35	3/4
<b>W2136</b>	Cabinet	21	36	12
	Door	20 1/2	35	3/4

## Wall Cabinet Single Glass Door

36" H

Item Code		W	H	D
<b>W1536GD</b>	Cabinet	15	36	12
	Door	14 1/2	35	3/4
<b>W1836GD</b>	Cabinet	18	36	12
	Door	17 1/2	35	3/4

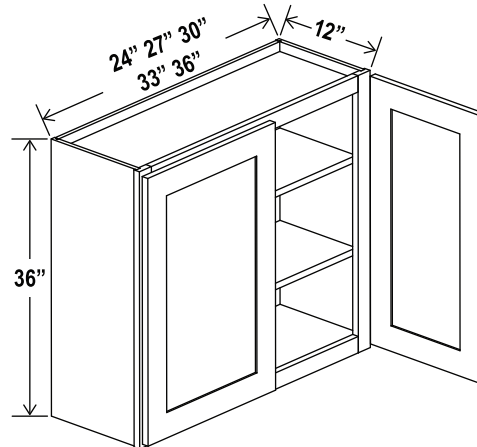


*Clear glass included  
Color Matched Interior  
Two adjustable shelves*

## Wall Cabinet Double Doors

36" H

Item Code		W	H	D
<b>W2436</b>	Cabinet	24	36	12
	Door	11 3/4	35	3/4
<b>W2736</b>	Cabinet	27	36	12
	Door	13 1/4	35	3/4
<b>W3036</b>	Cabinet	30	36	12
	Door	14 3/4	35	3/4
<b>W3336</b>	Cabinet	33	36	12
	Door	16 1/4	35	3/4
<b>W3636</b>	Cabinet	36	36	12
	Door	17 3/4	35	3/4

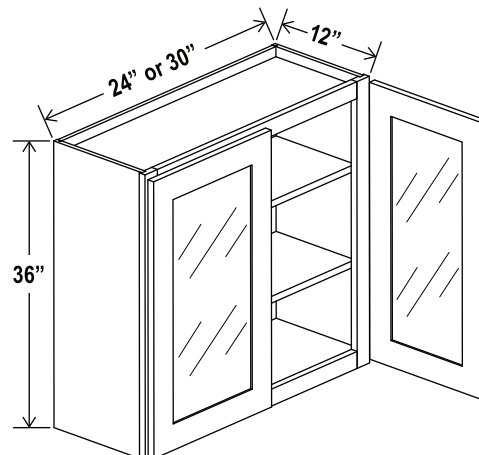


*Two adjustable shelves*

## Wall Cabinet Double Glass Doors

36" H

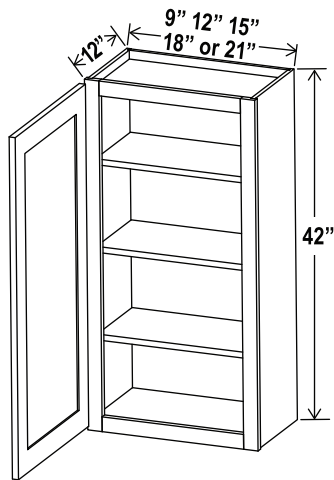
Item Code		W	H	D
<b>W2436GD</b>	Cabinet	24	36	12
	Door	11 3/4	35	3/4
<b>W3036GD</b>	Cabinet	30	36	12
	Door	14 3/4	35	3/4



*Clear glass included  
Color Matched Interior  
Two adjustable shelves*



# 42" H

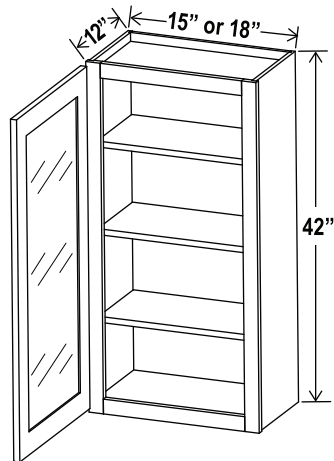


Three adjustable shelves

## Wall Cabinet Single Door

Item Code		W	H	D
<b>W0942</b>	Cabinet	9	42	12
	Door	8 1/2	41	3/4
<b>W1242</b>	Cabinet	12	42	12
	Door	11 1/2	41	3/4
<b>W1542</b>	Cabinet	15	42	12
	Door	14 1/2	41	3/4
<b>W1842</b>	Cabinet	18	42	12
	Door	17 1/2	41	3/4
<b>W2142</b>	Cabinet	21	42	12
	Door	20 1/2	41	3/4

# 42" H

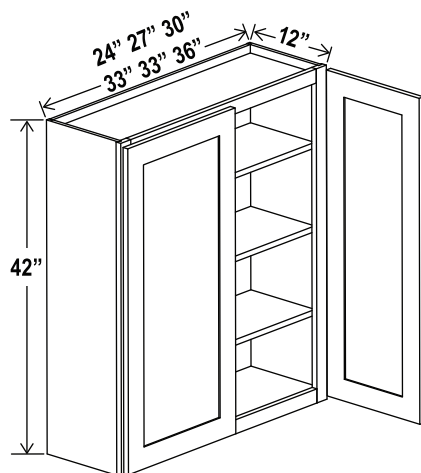


Clear glass included  
Color matched interior  
Three adjustable shelves

## Wall Cabinet Single Glass Door

Item Code		W	H	D
<b>W1542GD</b>	Cabinet	15	42	12
	Door	14 1/2	41	3/4
<b>W1842GD</b>	Cabinet	18	42	12
	Door	17 1/2	41	3/4

# 42" H



Three adjustable shelves

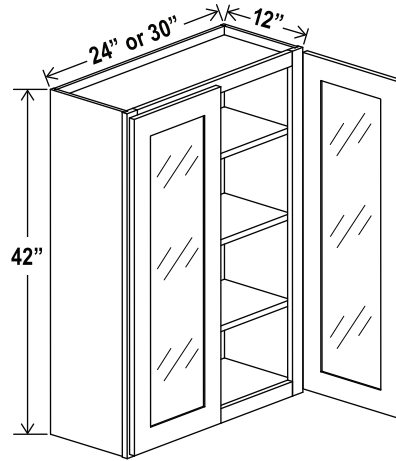
## Wall Cabinet Double Doors

Item Code		W	H	D
<b>W2442</b>	Cabinet	24	42	12
	Door	11 3/4	41	3/4
<b>W2742</b>	Cabinet	27	42	12
	Door	13 1/4	41	3/4
<b>W3042</b>	Cabinet	30	42	12
	Door	14 3/4	41	3/4
<b>W3342</b>	Cabinet	33	42	12
	Door	16 1/4	41	3/4
<b>W3642</b>	Cabinet	36	42	12
	Door	17 3/4	41	3/4

## Wall Cabinet Double Glass Doors

42" H

Item Code		W	H	D
<b>W2442GD</b>	Cabinet	24	42	24
	Door	11 3/4	41	3/4
<b>W3042GD</b>	Cabinet	30	42	12
	Door	14 3/4	41	3/4

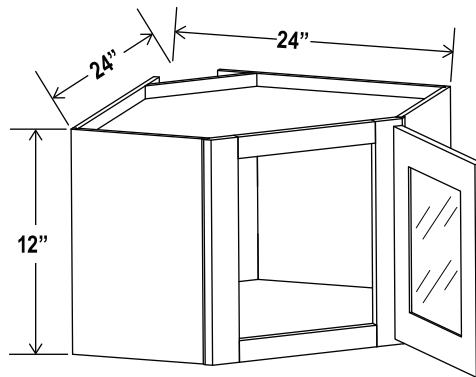


*Clear glass included  
Color matched interior  
Three adjustable shelves*

## Diagonal Corner Wall Glass Door

24" W

Item Code		W	H	D
<b>DCW2412GD</b>	Cabinet	24	12	12
	Door	15 1/4	11	3/4

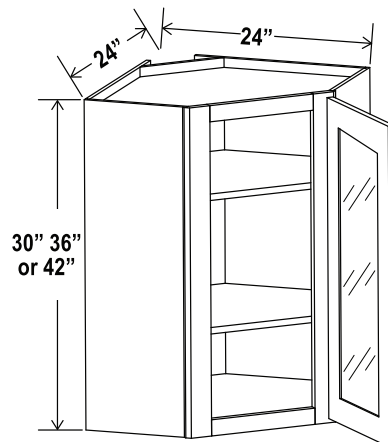


*Clear glass included  
Color matched interior  
No shelf*

## Diagonal Corner Wall Glass Door

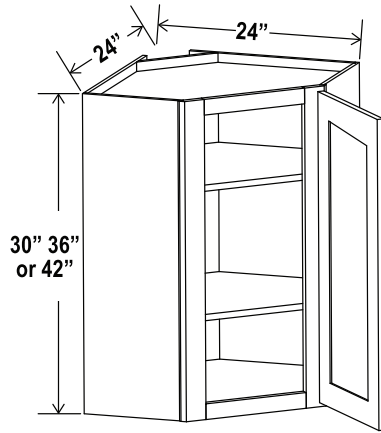
24" W

Item Code		W	H	D
<b>DCW2430GD</b>	Cabinet	24	30	12
	Door	15 1/4	29	3/4
<b>DCW2436GD</b>	Cabinet	24	36	12
	Door	15 1/4	35	3/4
<b>DCW2442GD</b>	Cabinet	24	42	12
	Door	15 1/4	41	3/4



*Color matched interior  
Two adjustable shelves (30"-36")  
Three adjustable shelves (42")*

## 24"W

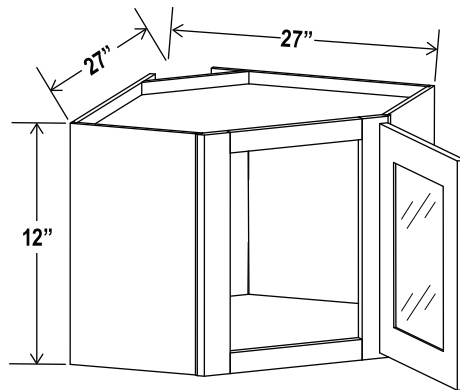


Two adjustable shelves (30"-36")  
Three adjustable shelves (42")

## Diagonal Corner Wall Single Door

Item Code		W	H	D
<b>DCW2430</b>	Cabinet	24	30	12
	Door	15 1/4	29	3/4
<b>DCW2436</b>	Cabinet	24	36	12
	Door	15 1/4	35	3/4
<b>DCW2442</b>	Cabinet	24	42	12
	Door	15 1/4	41	3/4

## 27"W

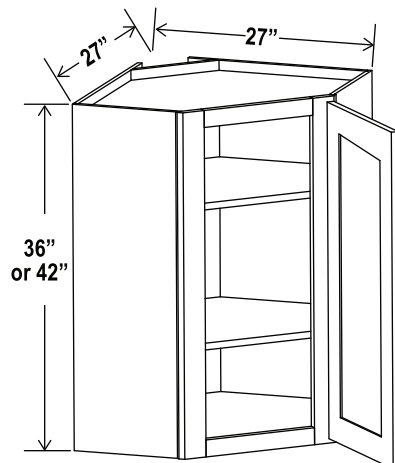


Clear glass included  
Color matched interior  
No shelf

## Diagonal Corner Wall Single Glass Door

Item Code		W	H	D
<b>DCW2712GD</b>	Cabinet	27	12	15
	Door	15 1/4	11	3/4

## 27"W



Two adjustable shelves (36")  
Three adjustable shelves (42")

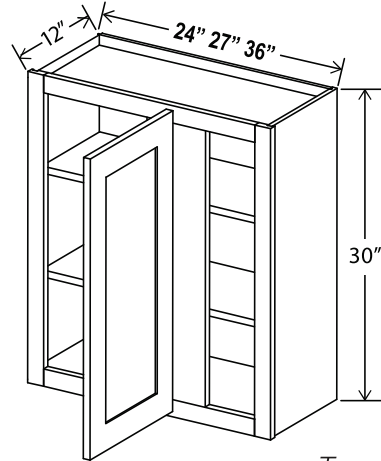
## Diagonal Corner Wall Cabinet

Item Code		W	H	D
<b>DCW2736</b>	Cabinet	27	36	15
	Door	15 1/4	35	3/4
<b>DCW2742</b>	Cabinet	27	42	15
	Door	15 1/4	41	3/4

## Wall Blind Corner Cabinet

30"H

Item Code		W	H	D
<b>WBC2430</b>	Cabinet	24	30	12
	Door	9 9/16	29	3/4
<b>WBC2730</b>	Cabinet	27	30	12
	Door	12 9/16	29	3/4
<b>WBC3630</b>	Cabinet	36	30	12
	Door	21 9/16	35	3/4

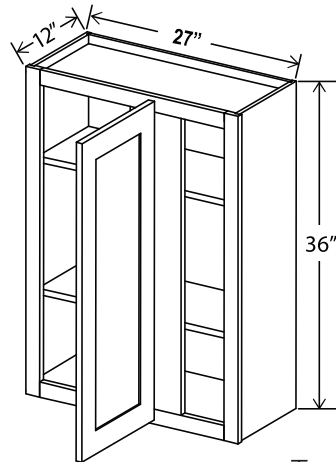


Two adjustable shelves  
Can be pulled for exact fit

## Wall Blind Corner Cabinet

36"H

Item Code		W	H	D
<b>WBC2736</b>	Cabinet	27	36	12
	Door	12 9/16	35	3/4

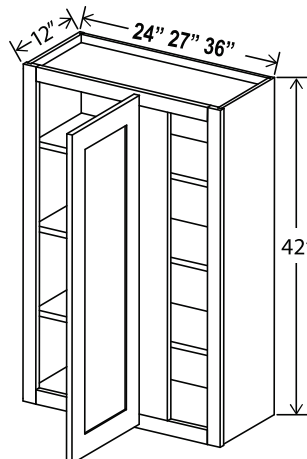


Two adjustable shelves  
Can be pulled for exact fit

## Wall Blind Corner Cabinet

42"H

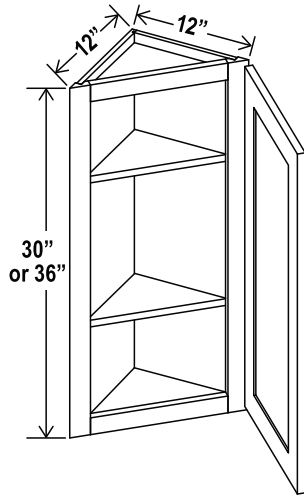
Item Code		W	H	D
<b>WBC2442</b>	Cabinet	24	42	12
	Door	9 9/16	41	3/4
<b>WBC2742</b>	Cabinet	27	42	12
	Door	12 9/16	41	3/4
<b>WBC3642</b>	Cabinet	36	42	12
	Door	21 9/16	41	3/4



Three adjustable shelves  
Can be pulled for exact fit



12"W

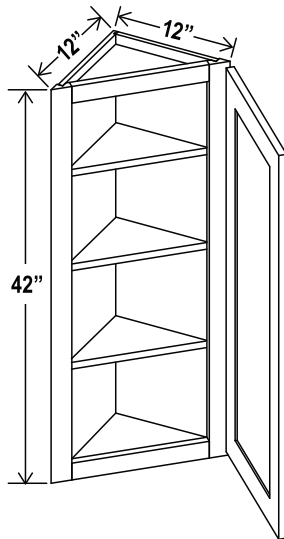


Two adjustable shelves

Angle Wall Cabinet

Item Code		W	H	D
<b>AW1230</b>	Cabinet	12	30	12
	Door	15 3/5	29	3/4
<b>AW1236</b>	Cabinet	12	36	12
	Door	15 3/5	35	3/4

12"W

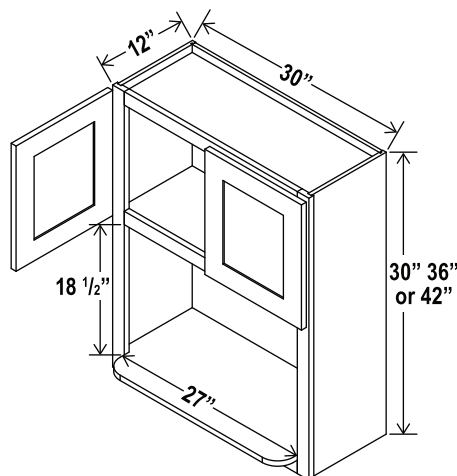


Three adjustable shelves

Angle Wall Cabinet

Item Code		W	H	D
<b>AW1242</b>	Cabinet	12	42	12
	Door	15 3/5	41	3/4

30"W



Microwave Wall Cabinet

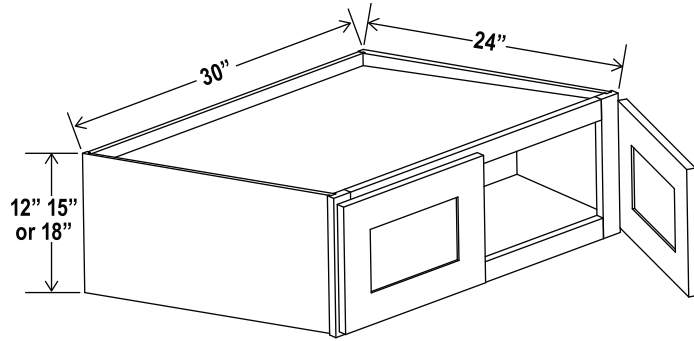
Item Code		W	H	D
<b>M03030</b>	Cabinet	30	30	12
	Door	14 3/4	9 1/4	3/4
<b>M03036</b>	Cabinet	30	36	12
	Door	14 3/4	15 1/4	3/4
<b>M03042</b>	Cabinet	30	42	12
	Door	14 3/4	21 1/4	3/4

Opening Dimensions: 27 W x 18 1/2 H

## Refrigerator Wall Cabinet Double Doors

30"W

Item Code		W	H	D
<b>W301224</b>	Cabinet	30	12	24
	Door	14 3/4	11	3/4
<b>W301524</b>	Cabinet	30	15	24
	Door	14 3/4	14	3/4
<b>W301824</b>	Cabinet	30	18	24
	Door	14 3/4	17	3/4

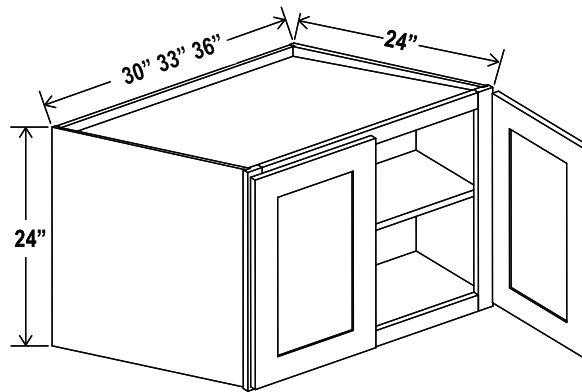


*No Shelf*

## Refrigerator Wall Cabinet Double Doors

24"H

Item Code		W	H	D
<b>W302424</b>	Cabinet	30	24	24
	Door	14 3/4	23	3/4
<b>W332424</b>	Cabinet	33	24	24
	Door	16 1/4	23	3/4
<b>W362424</b>	Cabinet	36	24	24
	Door	17 3/4	23	3/4

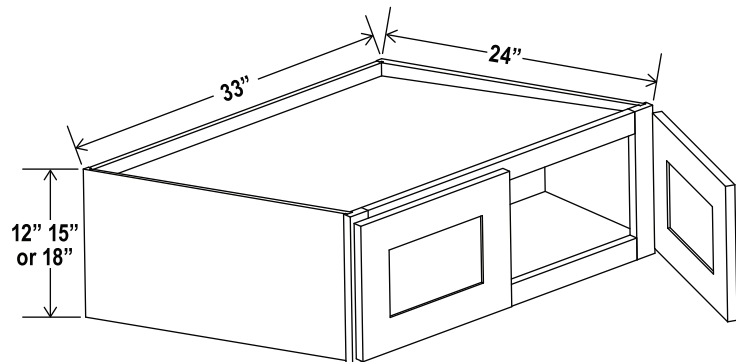


*One adjustable shelf*

## Refrigerator Wall Cabinet Double Doors

33"W

Item Code		W	H	D
<b>W331224</b>	Cabinet	33	12	24
	Door	16 1/4	11	3/4
<b>W331524</b>	Cabinet	33	15	24
	Door	16 1/4	14	3/4
<b>W331824</b>	Cabinet	33	18	24
	Door	16 1/4	17	3/4

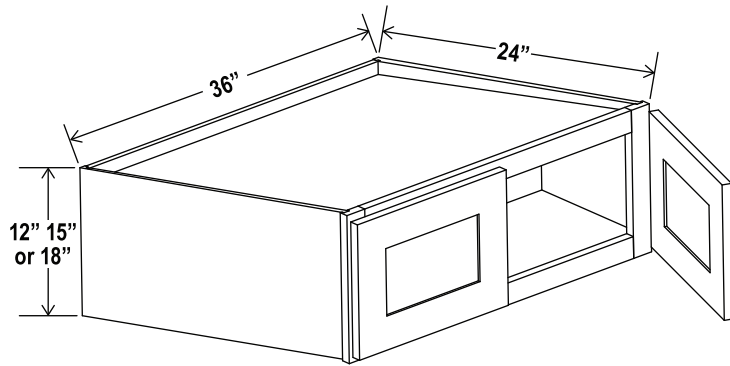


*No Shelf*

---

36"W

Refrigerator Wall Cabinet Double Doors



Item Code		W	H	D
<b>W361224</b>	Cabinet	36	12	24
	Door	17 3/4	11	3/4
<b>W361524</b>	Cabinet	36	15	24
	Door	17 3/4	14	3/4
<b>W361824</b>	Cabinet	36	18	24
	Door	17 3/4	17	3/4

*No Shelf*

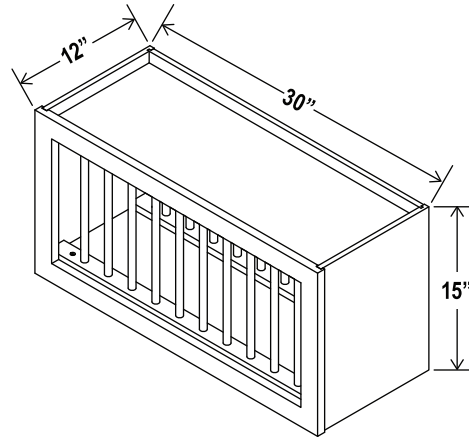
---

---

## Plate Rack

15"H

Item Code		W	H	D
PR3015	Cabinet	30	15	12

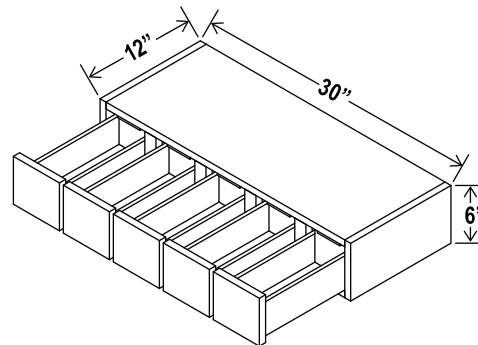


11 plate slots

## Wall Spice Drawer

6"H

Item Code		W	H	D
WSD630	Cabinet	30	6	12

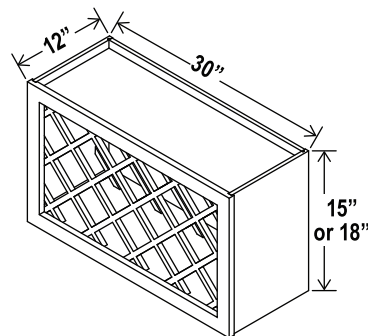


5 drawers

## Wine Rack

30"W

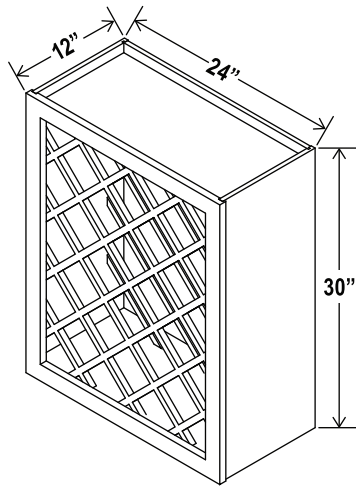
Item Code		W	H	D
WRC3015	Cabinet	30	15	12
WRC3018	Cabinet	30	18	12



Can install vertically or horizontally



30”H

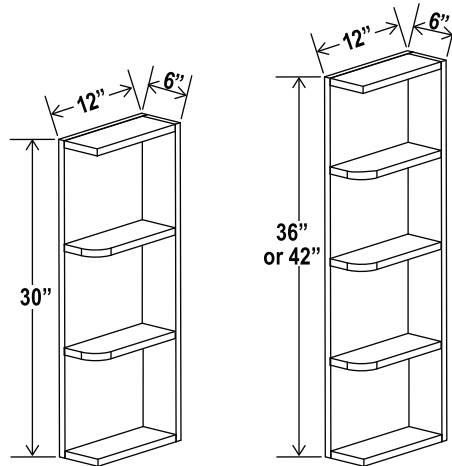


Wine Rack

Item Code		W	H	D
<b>WRC2430</b>	Cabinet	24	30	12

Can install vertically or horizontally

6”W



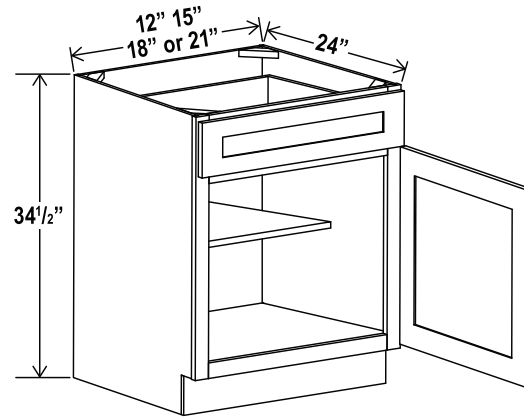
Open End Shelf

Item Code		W	H	D
<b>OE630</b>	Cabinet	6	30	12
<b>OE636</b>	Cabinet	6	36	12
<b>OE642</b>	Cabinet	6	42	12

Matching color interior

## Base Cabinet Single Door

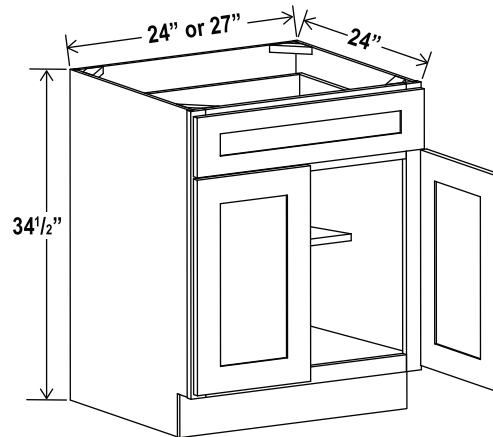
Item Code		W	H	D
<b>B12</b>	Cabinet	12	34 1/2	24
	Door	11 1/2	22 1/2	3/4
	Drawer	11 1/2	6 1/4	3/4
<b>B15</b>	Cabinet	15	34 1/2	24
	Door	14 1/2	22 1/2	3/4
	Drawer	14 1/2	6 1/4	3/4
<b>B18</b>	Cabinet	18	34 1/2	24
	Door	17 1/2	22 1/2	3/4
	Drawer	17 1/2	6 1/4	3/4
<b>B21</b>	Cabinet	21	34 1/2	24
	Door	20 1/2	22 1/2	3/4
	Drawer	20 1/2	6 1/4	3/4



*One drawer*

## Base Cabinet Double Doors

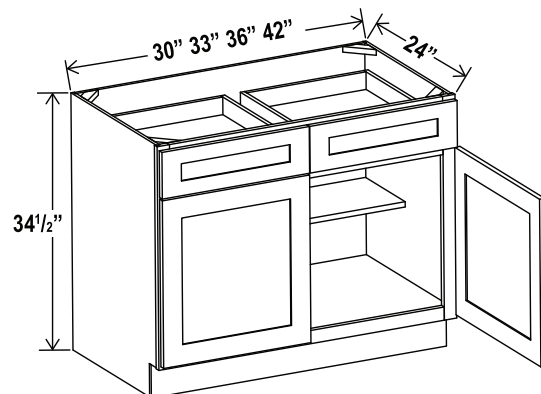
Item Code		W	H	D
<b>B24</b>	Cabinet	24	34 1/2	24
	Door	11 3/4	22 1/2	3/4
	Drawer	23 1/2	6 1/4	3/4
<b>B27</b>	Cabinet	27	34 1/2	24
	Door	13 1/4	22 1/2	3/4
	Drawer	26 1/2	6 1/4	3/4



*One drawer*

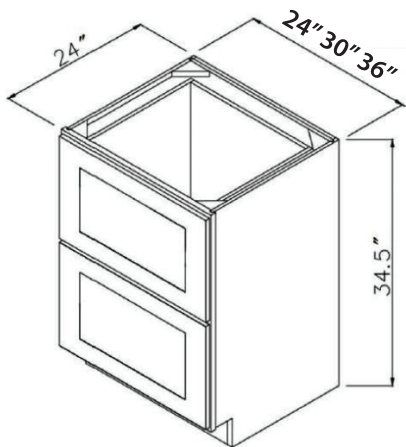
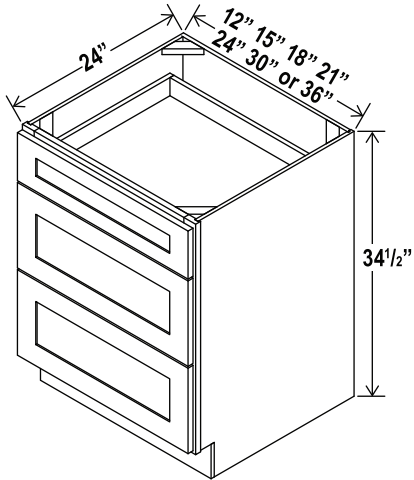
## Base Cabinet Double Doors

Item Code		W	H	D
<b>B30</b>	Cabinet	30	34 1/2	24
	Door	14 3/4	22 1/2	3/4
	Drawer	14 3/4	6 1/4	3/4
<b>B33</b>	Cabinet	33	34 1/2	24
	Door	16 1/4	22 1/2	3/4
	Drawer	16 1/4	6 1/4	3/4
<b>B36</b>	Cabinet	36	34 1/2	24
	Door	17 3/4	22 1/2	3/4
	Drawer	17 3/4	6 1/4	3/4
<b>B42</b>	Cabinet	42	34 1/2	24
	Door	20 3/4	22 1/2	3/4
	Drawer	20 3/4	6 1/4	3/4



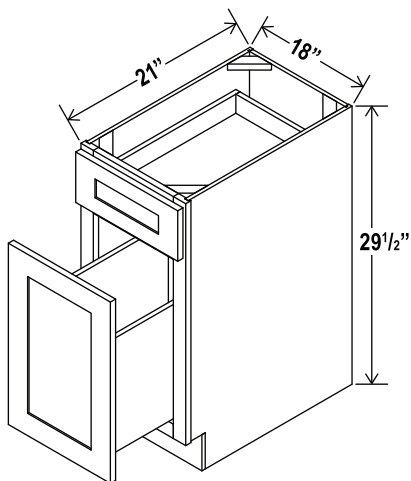
*Two drawers*

## Drawer Base



Item Code		W	H	D
<b>3DB12</b>	Cabinet	12	34 1/2	24
	Top Drawer	11 1/2	6 1/4	3/4
	Bottom Drawer	11 1/2	11 1/8	3/4
<b>3DB15</b>	Cabinet	15	34 1/2	24
	Top Drawer	14 1/2	6 1/4	3/4
	Bottom Drawer	14 1/2	11 1/8	3/4
<b>3DB18</b>	Cabinet	18	34 1/2	24
	Top Drawer	17 1/2	6 1/4	3/4
	Bottom Drawer	17 1/2	11 1/8	3/4
<b>3DB21</b>	Cabinet	21	34 1/2	24
	Top Drawer	20 1/2	6 1/4	3/4
	Bottom Drawer	20 1/2	11 1/8	3/4
<b>3DB24</b>	Cabinet	24	34 1/2	24
	Top Drawer	23 1/2	6 1/4	3/4
	Bottom Drawer	23 1/2	11 1/8	3/4
NB Only <b>3DB27</b>	Cabinet	27	34 1/2	24
	Top Drawer	26 1/2	6 1/4	3/4
	Bottom Drawer	26 1/2	11 1/8	3/4
<b>3DB30</b>	Cabinet	30	34 1/2	24
	Top Drawer	29 1/2	6 1/4	3/4
	Bottom Drawer	29 1/2	11 1/8	3/4
NB Only <b>3DB33</b>	Cabinet	33	34 1/2	24
	Top Drawer	32 1/2	6 1/4	3/4
	Bottom Drawer	32 1/2	11 1/8	3/4
<b>3DB36</b>	Cabinet	36	34 1/2	24
	Top Drawer	35 1/2	6 1/4	3/4
	Bottom Drawer	35 1/2	11 1/8	3/4

## Document File Base Cabinet



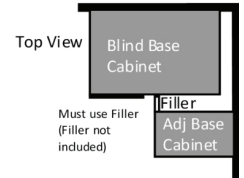
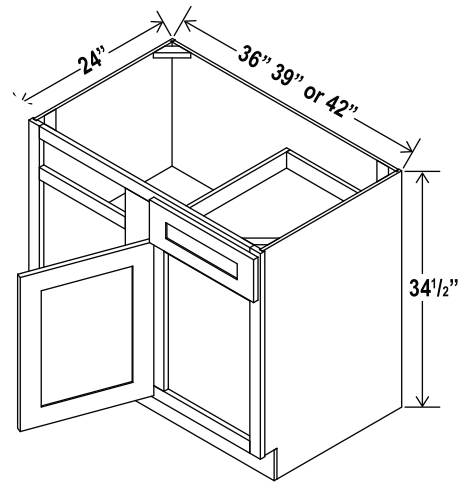
Document

Item Code		W	H	D
<b>DFB18</b>	Cabinet	18	29 1/2	21
	Top Drawer	17 1/2	6 1/4	3/4
	Bottom Drawer	17 1/2	17 1/2	3/4

\*Hardware not included.

## Blind Corner Base Cabinet

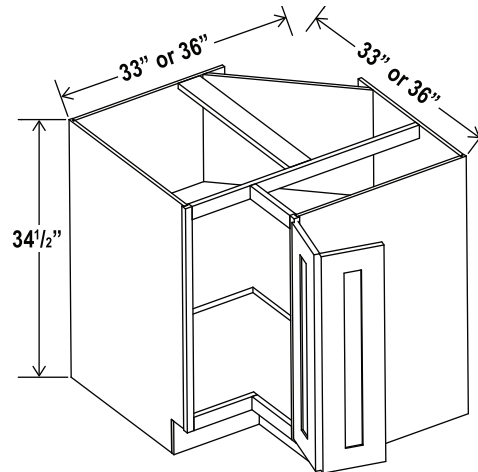
Item Code		W	H	D
<b>BBC36</b>	Cabinet	33	34 1/2	24
	Door	10	22 1/2	3/4
	Drawer	10	6 1/4	3/4
Install range: 36" - 39"				
<b>BBC39</b>	Cabinet	36	34 1/2	24
	Door	12 3/4	22 1/2	3/4
	Drawer	12 3/4	6 1/4	3/4
Install range: 39" - 42"				
<b>BBC42</b>	Cabinet	39	34 1/3	24
	Door	15 3/4	22 1/2	3/4
	Drawer	15 3/4	6 1/4	3/4
Install range: 42" - 45"				



BBC36 36"-39"  
 BBC39 39"-42"  
 BBC42 42"-45"

## Easy Reach Base Cabinet

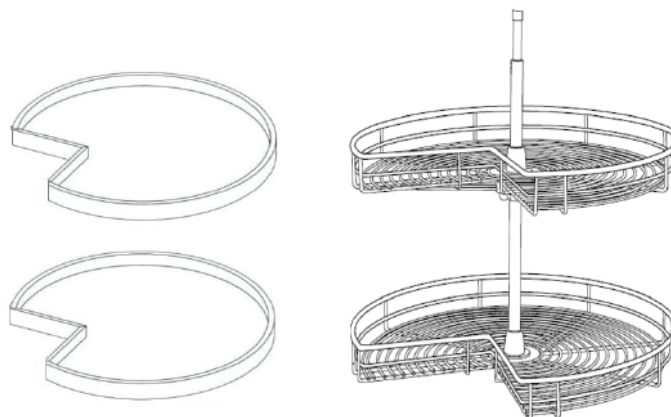
Item Code		W	H	D
<b>ERB33</b>	Cabinet	33	34 1/2	24
	Door	7 5/8	29	3/4
<b>ERB36</b>	Cabinet	36	34 1/2	24
	Door	10 5/8	29	3/4



One bi-fold door

## Wood Tray/ Chrome Tray

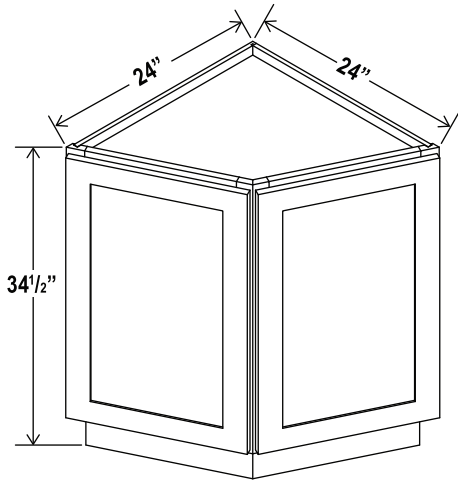
Item Code
Wood Tray
Chrome Tray 33
Chrome Tray 36



Add to ERB for Lazy Susan  
 \*\* NOTE: Wood tray does not have a pole included in the middle  
 Wood Tray \*\*\* Can be used in frameless. Fits both 33" and 36"  
 Trays are shelf mounted



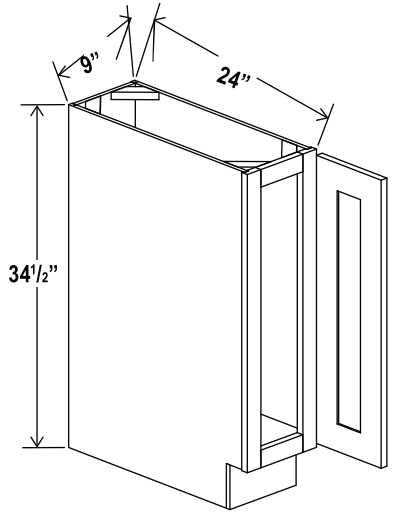
## Base End Cabinet



Item Code		W	H	D
<b>BEC24</b>	Cabinet	24	34 1/2	24
	Door	17 1/2	29	3/4

*Both doors operational*

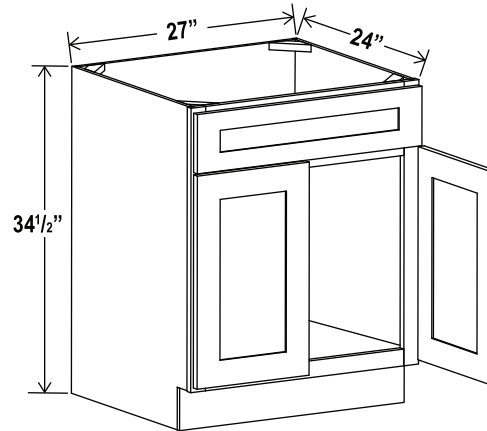
## Base Tray



Item Code		W	H	D
<b>BT09</b>	Cabinet	9	34 1/2	24
	Door	8 1/2	29	3/4

## Sink Base

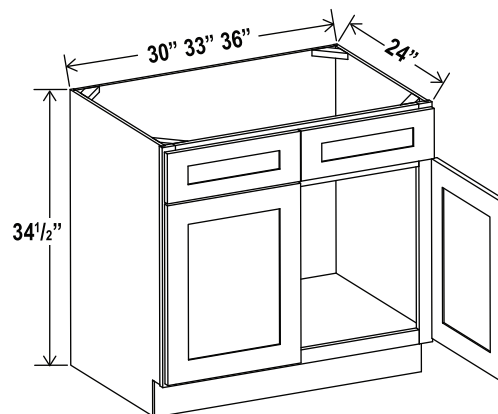
Item Code		W	H	D
<b>SB27</b>	Cabinet	27	34 1/2	24
	Door	13 1/4	22 1/2	3/4
	Drawer	26 1/2	6 1/4	3/4



*One dummy drawer*

## Sink Base

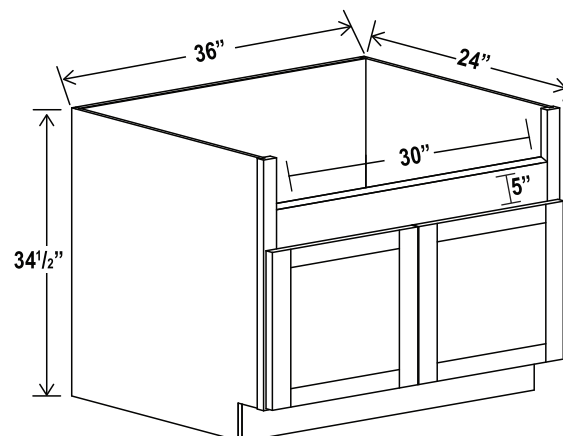
Item Code		W	H	D
<b>SB30</b>	Cabinet	30	34 1/2	24
	Door	14 3/4	22 1/2	3/4
	Drawer	14 3/4	6 1/4	3/4
<b>SB33</b>	Cabinet	33	34 1/2	24
	Door	16 1/4	22 1/2	3/4
	Drawer	16 1/4	6 1/4	3/4
<b>SB36</b>	Cabinet	36	34 1/2	24
	Door	17 3/4	22 1/2	3/4
	Drawer	17 3/4	6 1/4	3/4



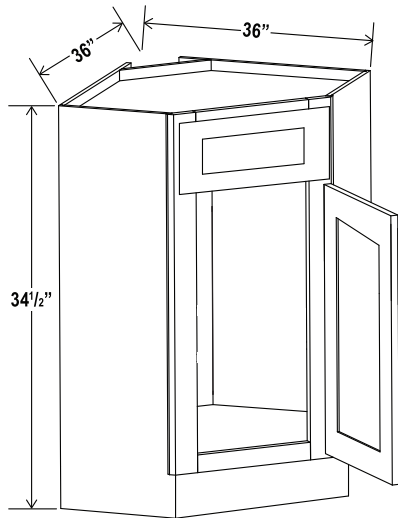
*Two dummy drawers*

## Farmhouse Sink Base

Item Code		W	H	D
<b>FSB36</b>	Cabinet	36	34 1/2	24
	Door	17 3/4	16 1/2	3/4
	Sink Trimout: 30"W X 7 1/2"-9"H			



## Corner Sink Base Cabinet

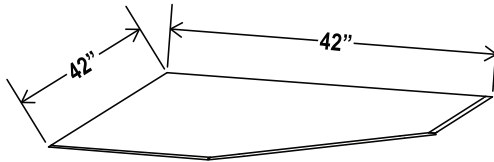


Item Code		W	H	D
<b>CSB36</b>	Cabinet	36	34 1/2	24
	Door	15 1/4	22 1/4	3/4
	Drawer	15 1/4	6 1/4	3/4

*One dummy drawer*

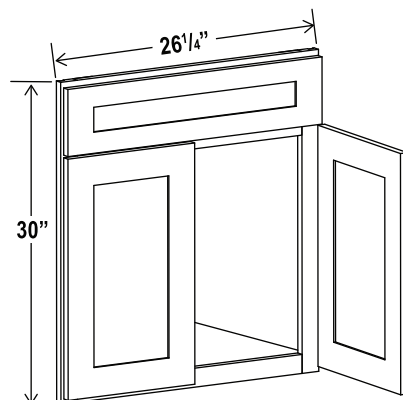
## Corner Sink Base Floor

Item Code		W
<b>SBF4242</b>	Cabinet	42



*For use with DCSF42*

## Corner Sink Base Front

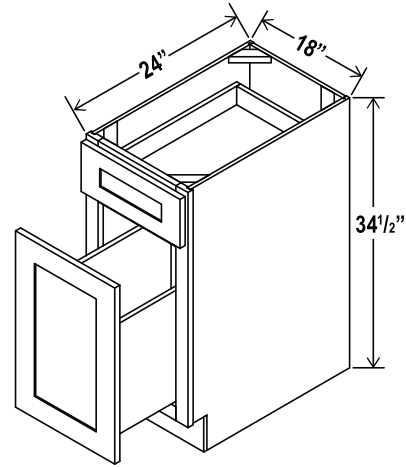


Item Code		W	H	D
<b>DCSF42</b>	Cabinet	26 1/4	30	3/4
	Door	11 3/4	22 1/2	3/4
	Drawer	23 1/2	6 1/4	3/4

*For use with SBF4242*

## Base Waste Basket Cabinet

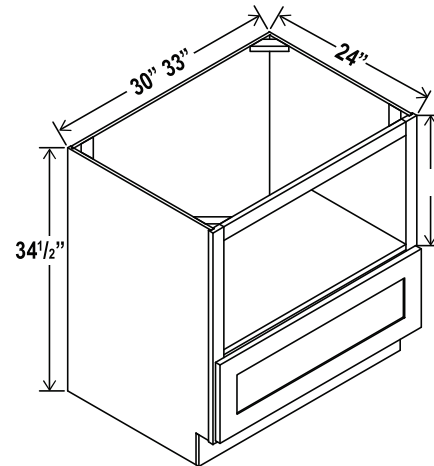
Item Code		W	H	D
<b>BWB18</b>	Cabinet	18	34 1/2	24
	Top Drawer	17 1/2	6 1/4	3/4
	Bottom Drawer	17 1/2	22 1/2	3/4



Waste baskets not included  
Fits(2) 35 qt wastebaskets

## Microwave Base Cabinet

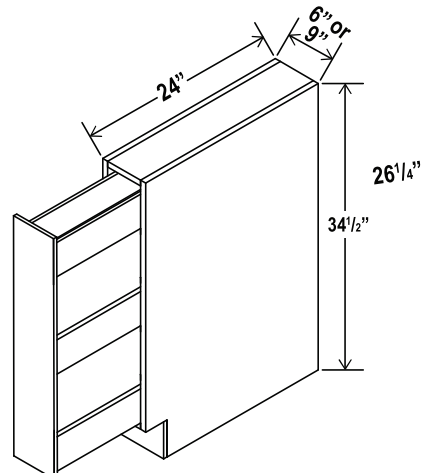
Item Code		W	H	D
<b>MB30</b>	Cabinet	30	34 1/2	24
	Drawer	29 1/2	10 1/2	3/4
Opening Dimensions: 27"W x 17"H				
<b>MB33</b>	Cabinet	33	34 1/2	24
	Drawer	32 1/2	10 1/2	3/4
Opening Dimensions: 30"W x 17"H				



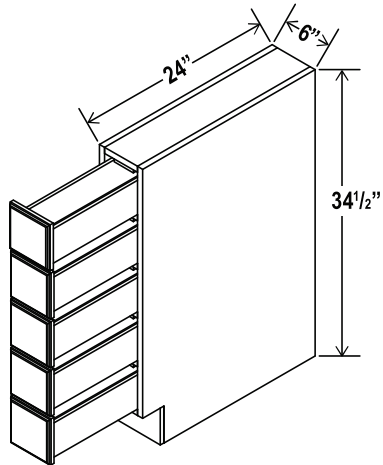
Finished Interiors

## Spice Pull Base Cabinet

Item Code		W	H	D
<b>SPB6</b>	Cabinet	6	34 1/2	24
	Drawer	5 1/2	29	3/4
<b>SPB9</b>	Cabinet	9	34 1/2	24
	Drawer	8 1/2	29	3/4



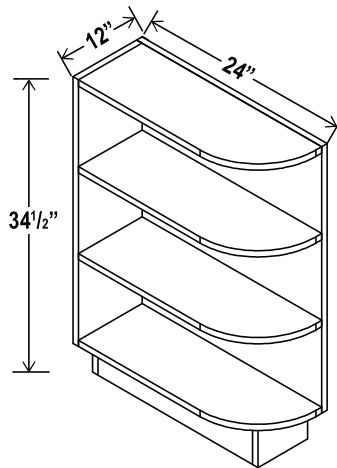
### Base Spice Drawer



Item Code		W	H	D
<b>BSDC6</b>	Cabinet	6	34 1/2	24

*Natural interior finish*

### Base End Shelf

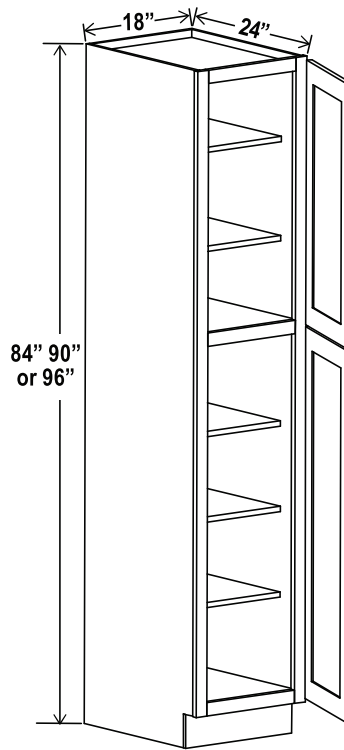


Item Code		W	H	D
<b>BES12</b>	Cabinet	12	34 1/2	24

# Utility Pantry

18"W

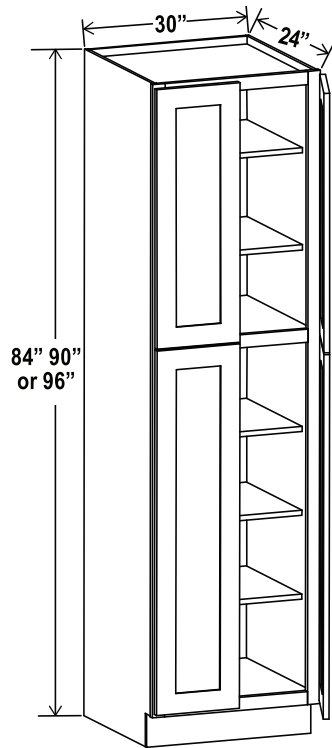
Item Code		W	H	D
<b>U188424</b>	Cabinet	18	84	24
	Top Door	17 1/2	29	3/4
	Bottom Door	17 1/2	49 1/4	3/4
<b>U189024</b>	Cabinet	18	90	24
	Top Door	17 1/2	35	3/4
	Bottom Door	17 1/2	49 1/4	3/4
<b>U189624</b>	Cabinet	18	96	24
	Top Door	17 1/2	41	3/4
	Bottom Door	17 1/2	49 1/4	3/4



*Two doors  
Two adjustable top shelves  
Three bottom shelves  
Note: Roll out shelf kits available*



24"W



Utility Pantry

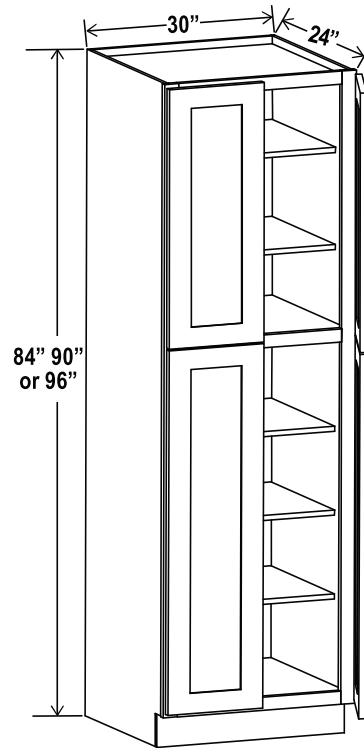
Item Code		W	H	D
<b>U248424</b>	Cabinet	24	84	24
	Top Door	11 3/4	29	3/4
	Bottom Door	11 3/4	49 1/4	3/4
<b>U249024</b>	Cabinet	24	90	24
	Top Door	11 3/4	35	3/4
	Bottom Door	11 3/4	49 1/4	3/4
<b>U249624</b>	Cabinet	24	96	24
	Top Door	11 3/4	41	3/4
	Bottom Door	11 3/4	49 1/4	3/4

Four doors  
 Two adjustable top shelves  
 Three bottom shelves  
 Note: Roll out shelf kits available

# Utility Pantry

30"W

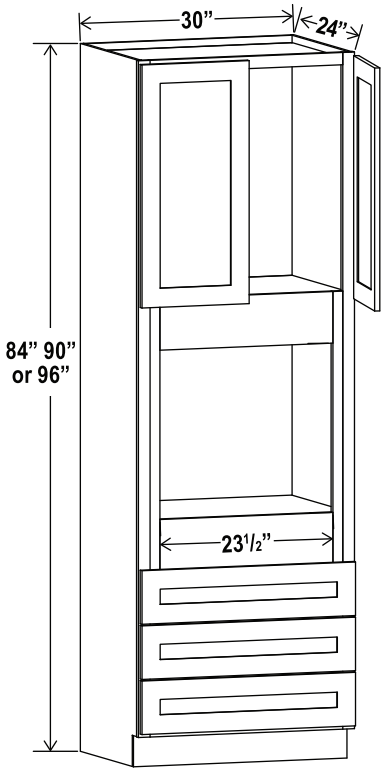
Item Code		W	H	D
U308424	Cabinet	30	84	24
	Top Door	14 3/4	29	3/4
	Bottom Door	14 3/4	49 1/4	3/4
U309024	Cabinet	30	90	24
	Top Door	14 3/4	35	3/4
	Bottom Door	14 3/4	49 1/4	3/4
U309624	Cabinet	30	96	24
	Top Door	14 3/4	41	3/4
	Bottom Door	14 3/4	49 1/4	3/4



Four d  
 Two adjustable top shel  
 Three bottom shel  
 Note: Roll out shelf kits a

# 30"W

# Oven Pantry



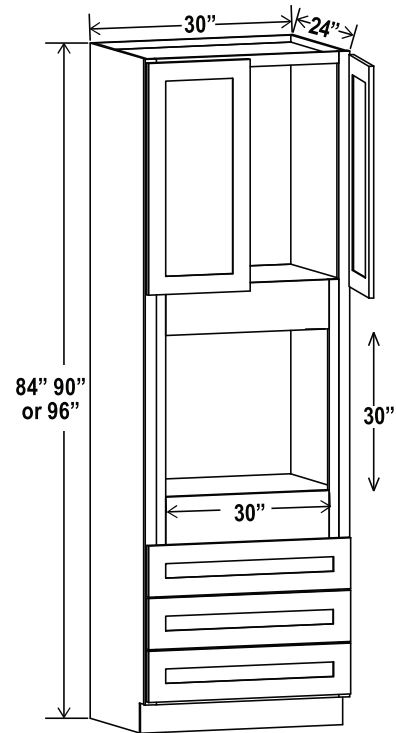
Item Code		W	H	D
<b>0308424</b>	Cabinet	30	84	24
	Door	14 3/4	17	3/4
	Drawer	29 1/2	7 3/4	3/4
	Opening Dimensions		: 24 W x 24 3/8 H	
<b>0309024</b>	Cabinet	30	90	24
	Door	14 3/4	23	3/4
	Drawer	29 1/2	7 3/4	3/4
	Opening Dimensions		: 24 W x 24 3/8 H	
<b>0309624</b>	Cabinet	30	96	24
	Door	14 3/4	29	3/4
	Drawer	29 1/2	7 3/4	3/4
	Opening Dimensions		: 24 W x 24 3/8 H	

Two doors  
 One large open shelf  
 Three bottom drawers  
 Note: Drawers may be removed to accommodate double ovens.

# Oven Pantry

33"W

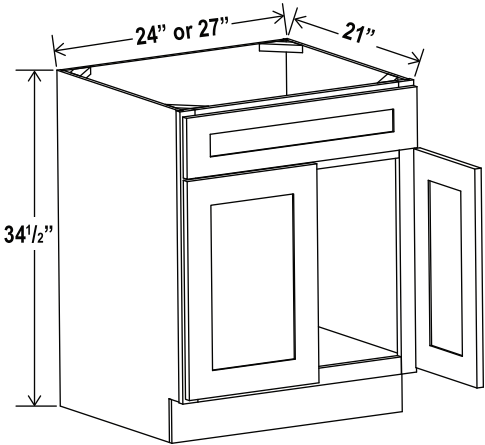
Item Code		W	H	D
0338424	Cabinet	33	84	24
	Door	16 1/4	17	3/4
	Drawer	32 1/2	7 3/4	3/4
	Opening Dimensions: 27 W x 34 1/2" H			
0339024	Cabinet	33	90	24
	Door	16 1/4	23	3/4
	Drawer	32 1/2	7 3/4	3/4
	Opening Dimensions: 27 W x 34 1/2" H			
0339624	Cabinet	33	96	24
	Door	16 1/4	29	3/4
	Drawer	32 1/2	7 3/4	3/4
	Opening Dimensions: 27 W x 34 1/2" H			



Two doors  
One large open shelf  
Three bottom drawers

Note: Drawers may be removed to accommodate double ovens.

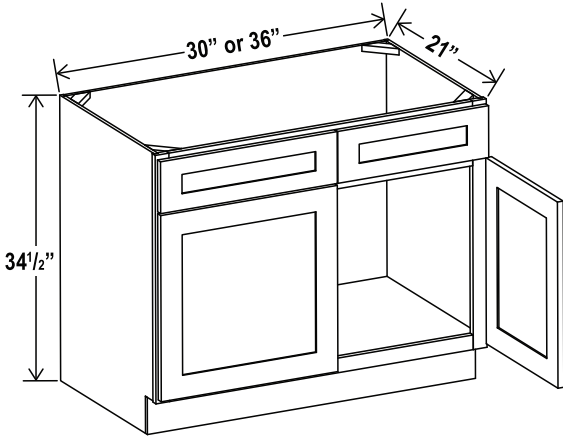
## Vanity Sink Base



One dummy drawer

Item Code		W	H	D
<b>VS24</b>	Cabinet	24	34 1/2	21
	Door	11 3/4	22 1/2	3/4
	Drawer	23 1/4	6 1/4	3/4
<b>VS27</b>	Cabinet	27	34 1/2	21
	Door	13 1/4	22 1/3	3/4
	Drawer	26 1/2	6 1/4	3/4

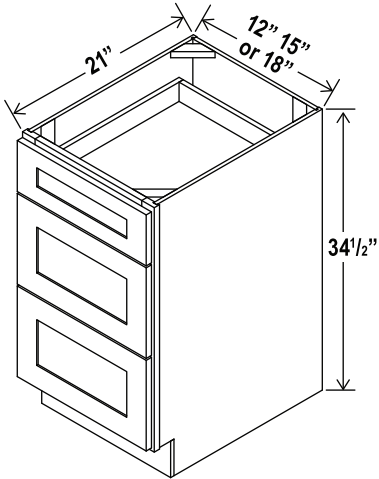
## Vanity Sink Base



Two dummy drawers

Item Code		W	H	D
<b>VS30</b>	Cabinet	30	34 1/2	21
	Door	14 3/4	22 1/2	3/4
	Drawer	14 3/4	6 1/4	3/4
<b>VS36</b>	Cabinet	36	34 1/2	21
	Door	17 3/4	22 1/2	3/4
	Drawer	17 3/4	6 1/4	3/4

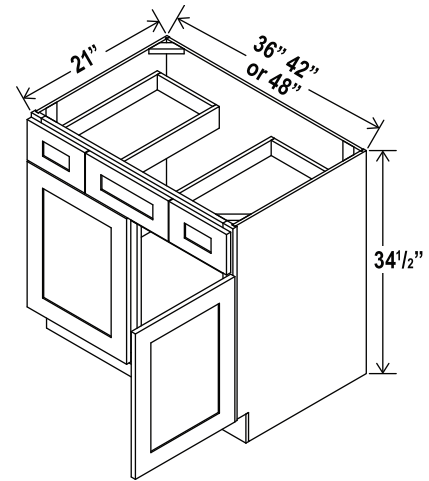
## Vanity Drawer Base Cabinet



Item Code		W	H	D
<b>3VDB12</b>	Cabinet	12	34 1/2	21
	Top Drawer	11 1/2	6 1/4	3/4
	Bottom Drawer	11 1/2	11 1/8	3/4
<b>3VDB15</b>	Cabinet	15	34 1/2	21
	Top Drawer	14 1/2	6 1/4	3/4
	Bottom Drawer	14 1/2	11 1/8	3/4
<b>3VDB18</b>	Cabinet	18	34 1/2	21
	Top Drawer	17 1/2	6 1/4	3/4
	Bottom Drawer	17 1/2	11 1/8	3/4

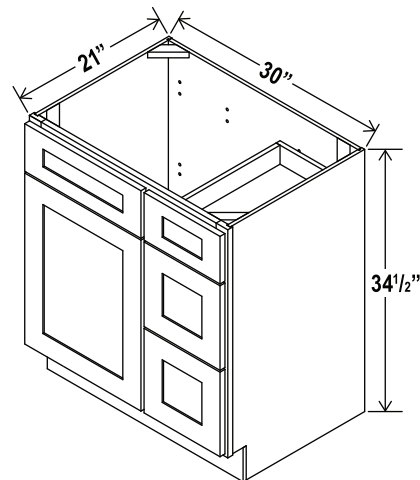
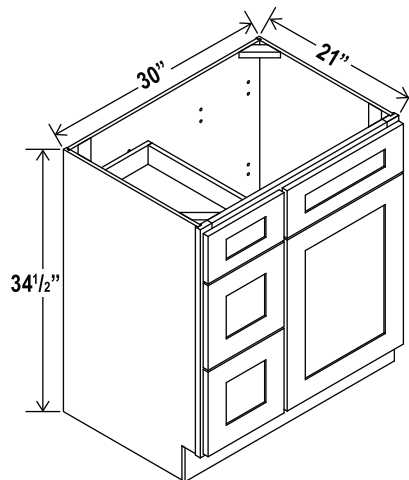
## Vanity Combo

Item Code		W	H	D
<b>VSD36</b>	Cabinet	36	34 1/2	21
	Door	17 3/4	22 1/2	3/4
	Outside Drawer	10 1/4	6 1/4	3/4
	Center Drawer	14 1/2	6 1/4	3/4
<b>VSD42</b>	Cabinet	42	34 1/2	21
	Door	20 3/4	22 1/2	3/4
	Outside Drawer	11 1/2	6 1/4	3/4
	Center Drawer	18	6 1/4	3/4
<b>VSD48</b>	Cabinet	48	34 1/2	21
	Door	23 3/4	22 1/2	3/4
	Outside Drawer	14 1/2	6 1/4	3/4
	Center Drawer	18	6 1/4	3/4



## Vanity Combo

Item Code		W	H	D
<b>V3021DL</b>	Cabinet	30	34 1/2	21
	Door	17 1/2	22 1/2	3/4
	Long Drawer	17 1/2	6 1/4	3/4
	Top Drawer	11 1/2	6 1/4	3/4
	Bottom Drawer	11 1/2	11 1/8	3/4
<b>V3021DR</b>	Cabinet	30	34 1/2	21
	Door	17 1/2	22 1/2	3/4
	Long Drawer	17 1/2	6 1/4	3/4
	Top Drawer	11 1/2	6 1/4	3/4
	Bottom Drawer	11 1/2	11 1/8	3/4

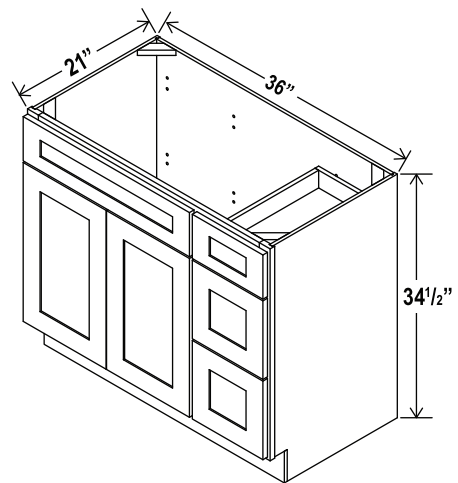
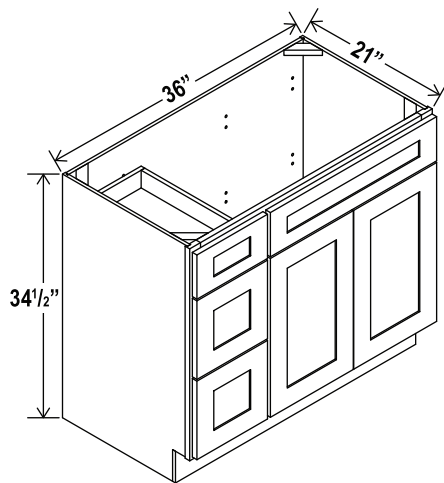


V3021DL: 30" combo with drawers on left  
V3021DR: 30" combo with drawers on right



## Vanity Combo

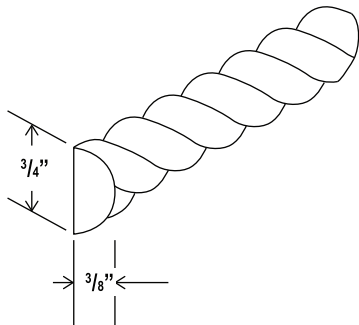
Item Code	W	H	D	
<b>V3621DL</b>	Cabinet	36	34 1/2	21
	Door	11 3/4	22 1/2	3/4
	Long Drawer	23 1/2	6 1/4	3/4
	Top Drawer	11 1/2	6 1/4	3/4
	Bottom Drawer	11 1/2	11 1/8	3/4
<b>V3621DR</b>	Cabinet	36	34 1/2	21
	Door	11 3/4	22 1/2	3/4
	Long Drawer	23 1/2	6 1/4	3/4
	Top Drawer	11 1/2	6 1/4	3/4
	Bottom Drawer	11 1/2	11 1/8	3/4



V3621DL: 36" combo with drawers on left  
 V3621DR: 36" combo with drawers on right

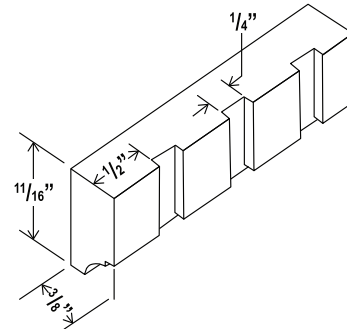
## Rope Moulding

Item Code	L
<b>ROPE</b>	96



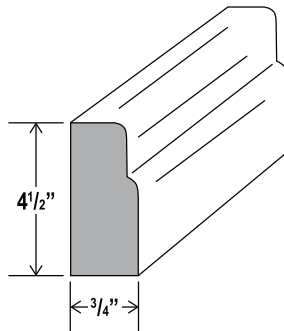
## Dentil Moulding

Item Code	L
<b>DMTIS</b>	96



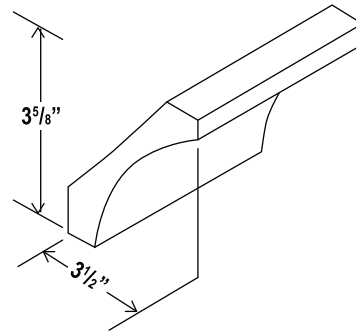
## Furniture Base

Item Code	L
<b>FBM</b>	96



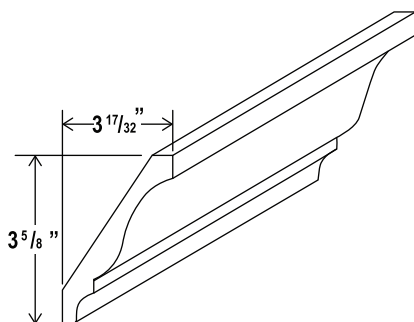
## Cove Crown Moulding

Item Code	L
<b>COV</b>	96



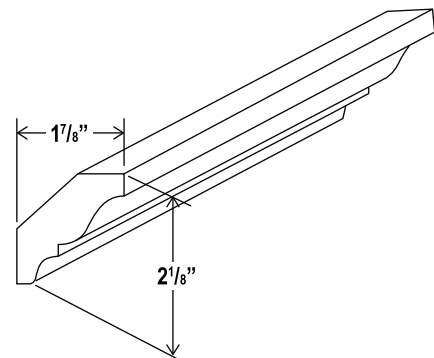
## Decorative Moulding

Item Code	L
<b>BCM8(DCM)</b>	96



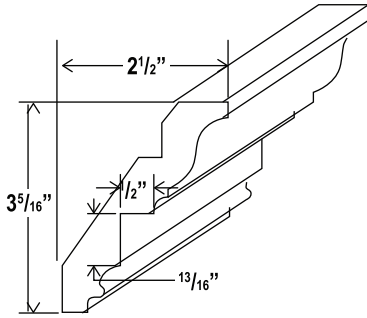
## Crown Moulding

Item Code	L
<b>CM8</b>	96



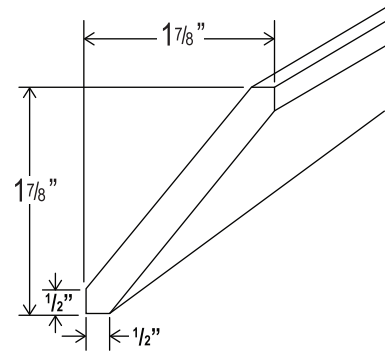
## Inset Crown Moulding

Item Code	L
<b>RCM4S(LCM)</b>	96



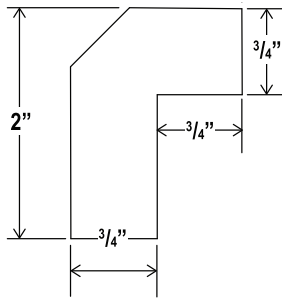
## Angle Crown Moulding

Item Code	L
<b>ACM8</b>	96



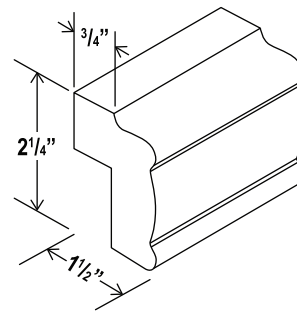
## Angle Light Rail Moulding

Item Code	L
<b>ALRM8</b>	96



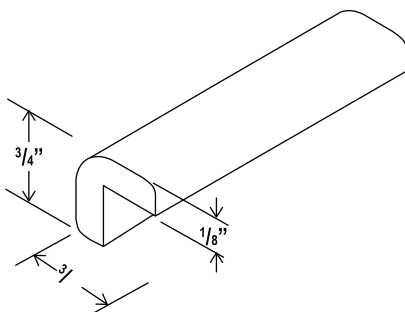
## Light Rail Moulding

Item Code	L
<b>LRM8</b>	96



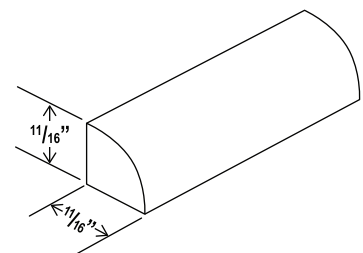
## Outside Corner Moulding

Item Code	L
<b>OCM8</b>	96



## Shoe Moulding

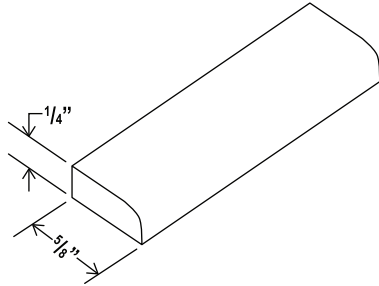
Item Code	L
<b>SHM</b>	96



---

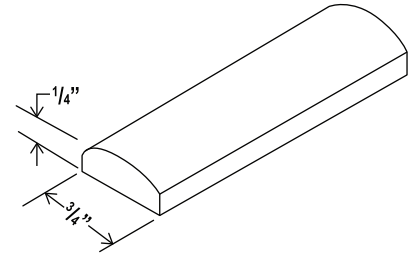
## Scribe Moulding

Item Code	L
SM8(SCR)	96



## Batten Moulding

Item Code	L
BAM	96

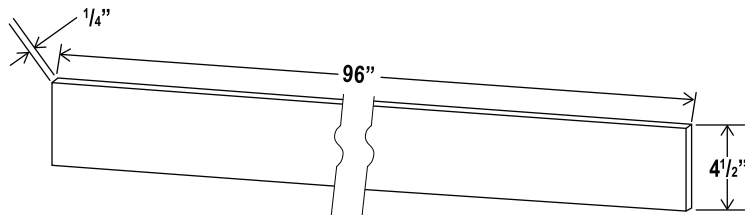


---

---

## Toe Kick

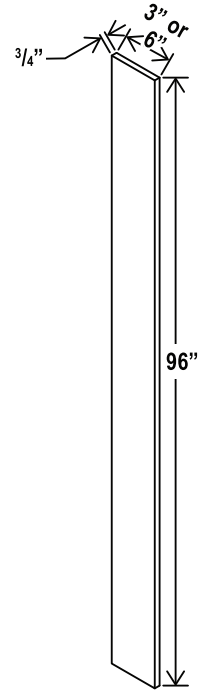
Item Code	L
TKC	96



---

## Tall Filler

Item Code	L
F396	96
F696	96

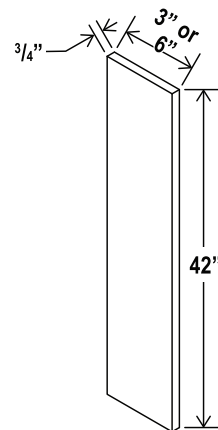


---

---

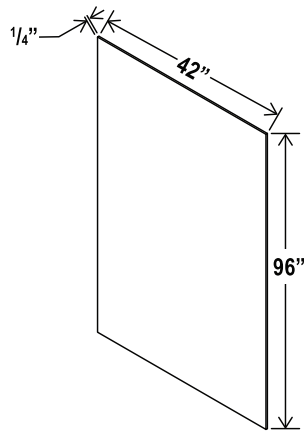
## Filler

Item Code	L
F342	42
F642	42



### Finish Plywood Panel

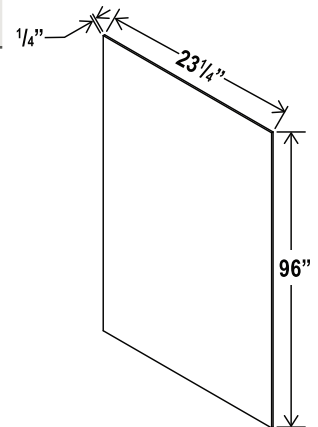
Item Code	L
FPV4296	96



Note: Edges are not finished

### Tall Skin Veneer Panel

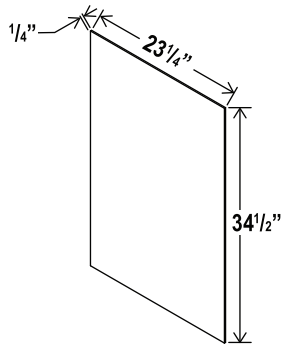
Item Code	L
USV2496	96



Note: Edges are not finished

### Base Skin Veneer Panel

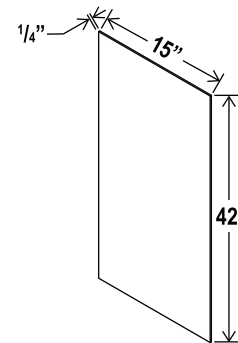
Item Code	L
BSV	34 1/2



Note: Edges are not finished

### Wall Skin Panel

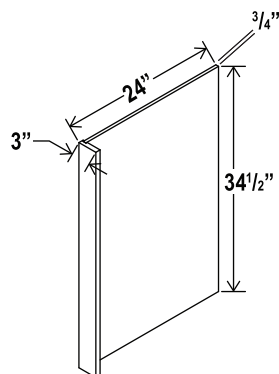
Item Code	L
WSV42	42



Note: Edges are not finished

### Dishwasher Return Panel

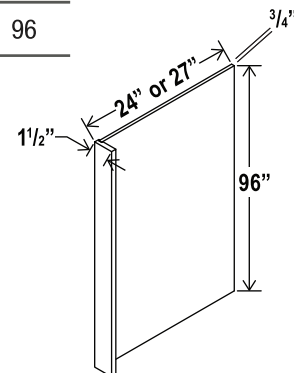
Item Code	L
DWR3	34 1/2



Note: Edges are not finished

### Refrigerator End Panel

Item Code	L
REPV2496	96
REPV2796	96

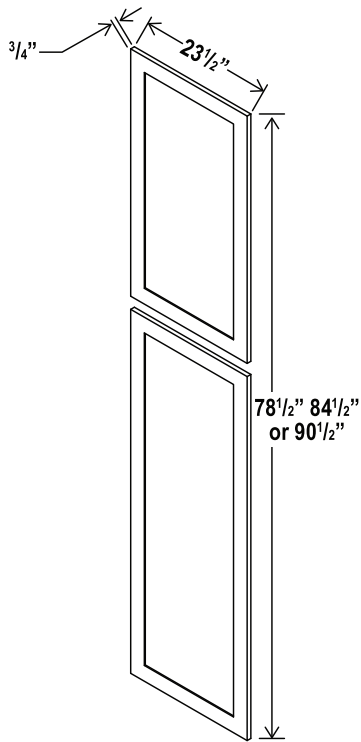


Note: Edges are not finished



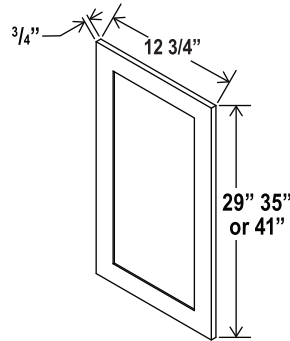
## Tall Decorative Door Panel

Item Code	L
TDEP2484	78 1/2
TDEP2490	84 1/2
TDEP2496	90 1/2



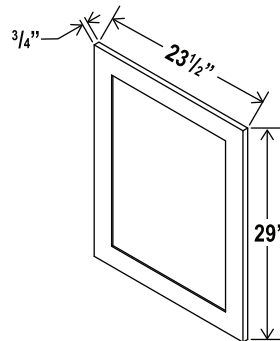
## Wall Decorative Door Panel

Item Code	L
WDEP30	29
WDEP36	35
WDEP42	41



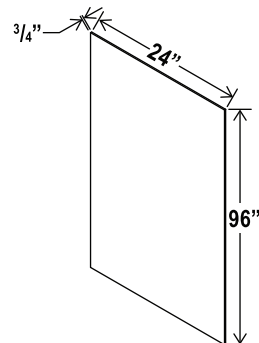
## Base Decorative Door Panel

Item Code	L
BDEP	29



## Shelf Board

Item Code	L
S2496	96



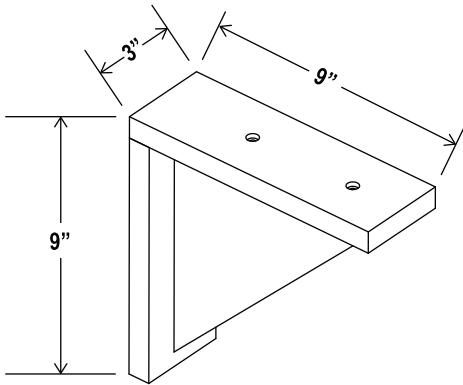
*Banded on both edges  
Finished on all 4 sides  
Color to match cabinet*

---

## Corbel

Item Code

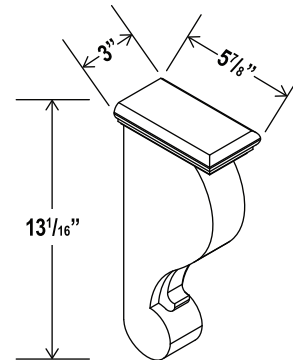
**CB9**



## Corbel

Item Code

**CBT**

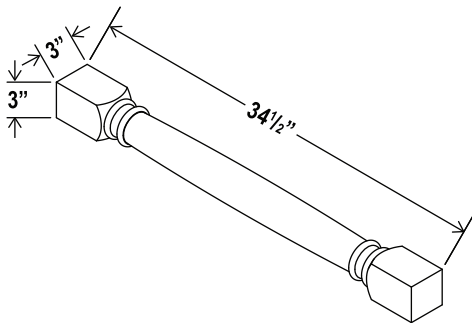


---

## Classic Decorative Leg

Item Code

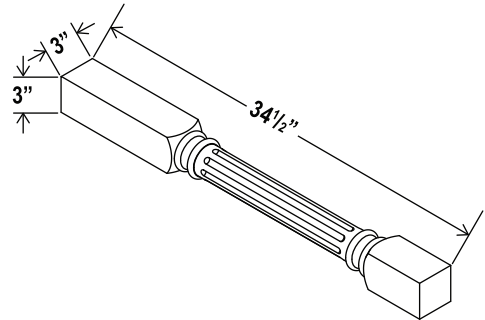
**CLDL**



## Fluted Decorative Leg

Item Code

**FLDL**

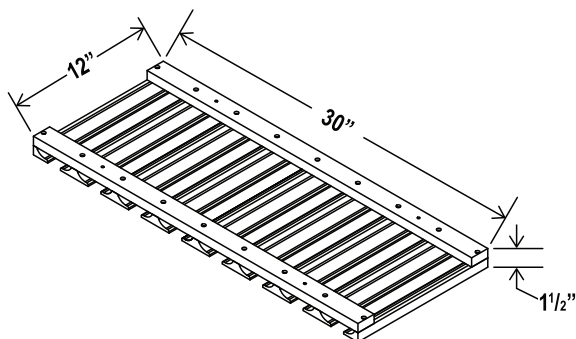


---

## Glass Holder

Item Code

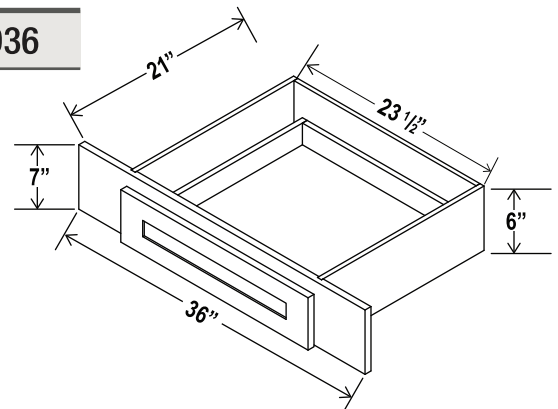
**SGH30**



## Knee Drawer

Item Code

**VKD36**



Note: Max trim to 30"  
Note: Interior Drawer Dimensions 3 1/2" x 18 1/4" x 20 1/4"

## Arched Valance

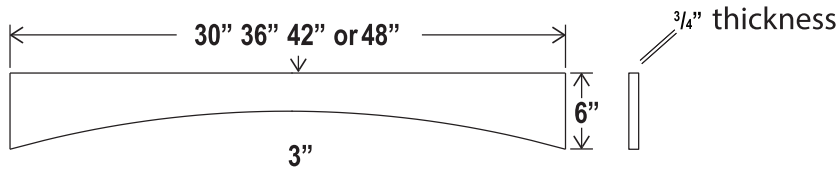
Item Code

VA30

VA36

VA42

VA48



## Roll Out Tray

Item Code

RS18

RS21

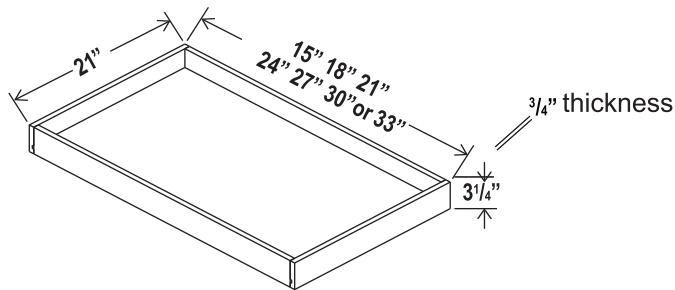
RS24

RS27

RS30

RS33

RS36

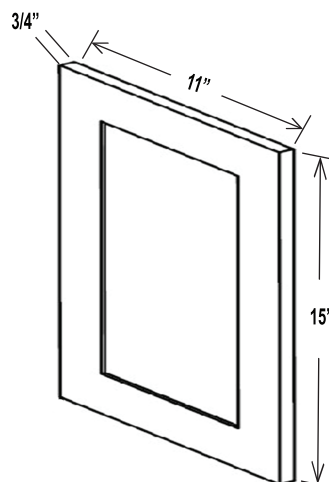


*Note: Natural finish. Side mount only.  
Full-extension, not self-closing*

## Sample Door

Item Code

SD





# SKYLINE<sup>®</sup>

C A B I N E T R Y



CENTRALIA, IL  
866.755.7636

MOBERLY, MO  
800.892.5850

MT. PLEASANT, IA  
800.258.5809

SPRING HILL, KS  
800.490.4320

Proudly  
Supplied  
By



Visit our website at [www.midambuilding.com](http://www.midambuilding.com)