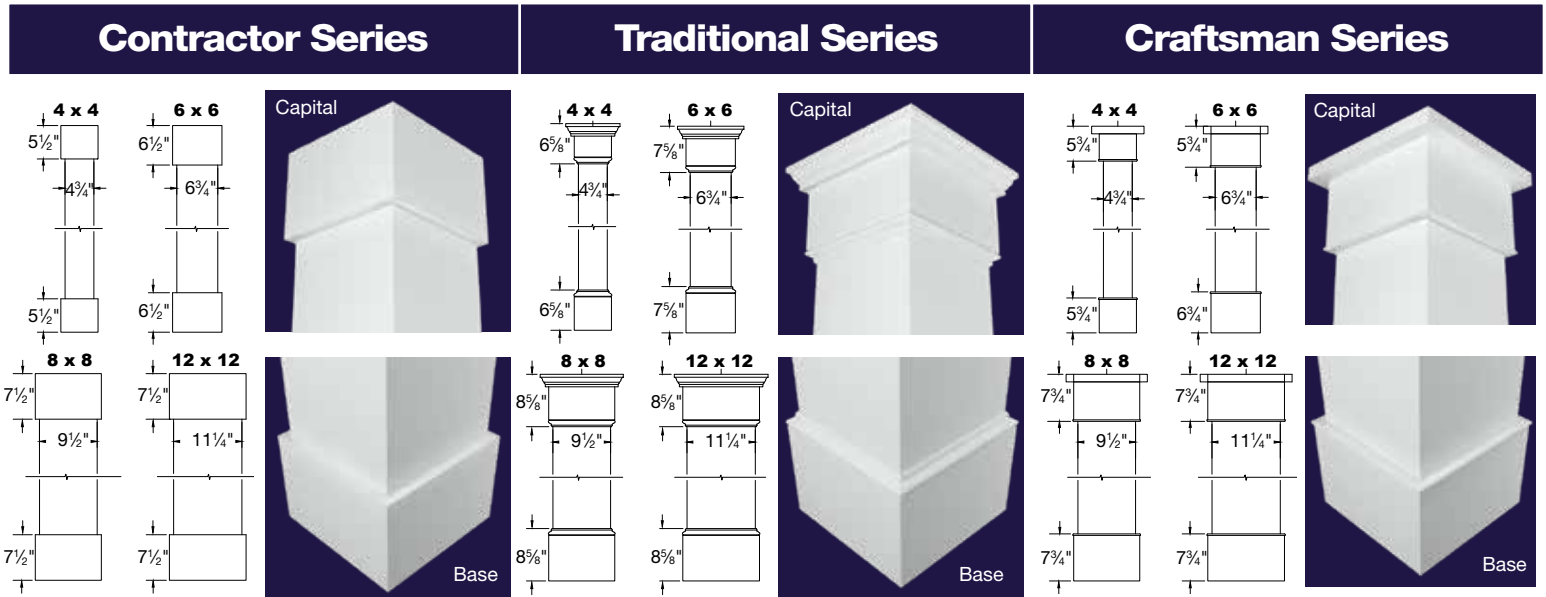




## Column Wraps



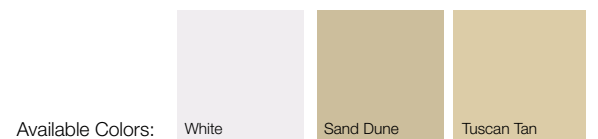
PROFILE #	PROFILE DESCRIPTION	ACTUAL INSIDE DIMENSION	ACTUAL OUTSIDE DIMENSION	AVAILABLE LENGTHS	QTY PER UNIT
9807	4 x 4 Column Wrap	3 3/4" x 3 3/4"	4 3/4" x 4 3/4"	8'6", 10' & 12'	24
9811	6 x 6 Column Wrap	5 3/4" x 5 3/4"	6 3/4" x 6 3/4"	8'6", 10' & 12'	15
9815	8 x 8 Column Wrap	8 1/2" x 8 1/2"	9 1/2" x 9 1/2"	8'6", 10' & 12'	8
9829	12 x 12 Column Wrap	10 1/4" x 10 1/4"	11 1/4" x 11 1/4"	8'6", 10' & 12'	6

Capital and Base sets sold separately. Available in all three series for all size column wraps.

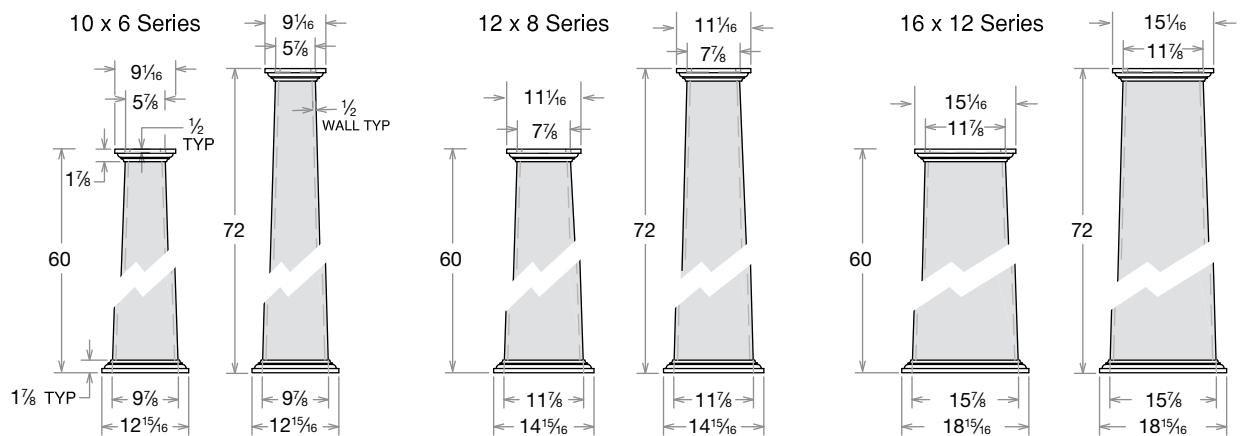
PROFILE #	PROFILE DESCRIPTION	PCS PER UNIT
9854	4 x 4 Contractor Cap/Base Set	8
9855	6 x 6 Contractor Cap/Base Set	5
9850	4 x 4 Traditional Cap/Base Set	8
9851	6 x 6 Traditional Cap/Base Set	5
9858	4 x 4 Craftsman Cap/Base Set	8
9859	6 x 6 Craftsman Cap/Base Set	5

Column Wraps are Non-Load Bearing.

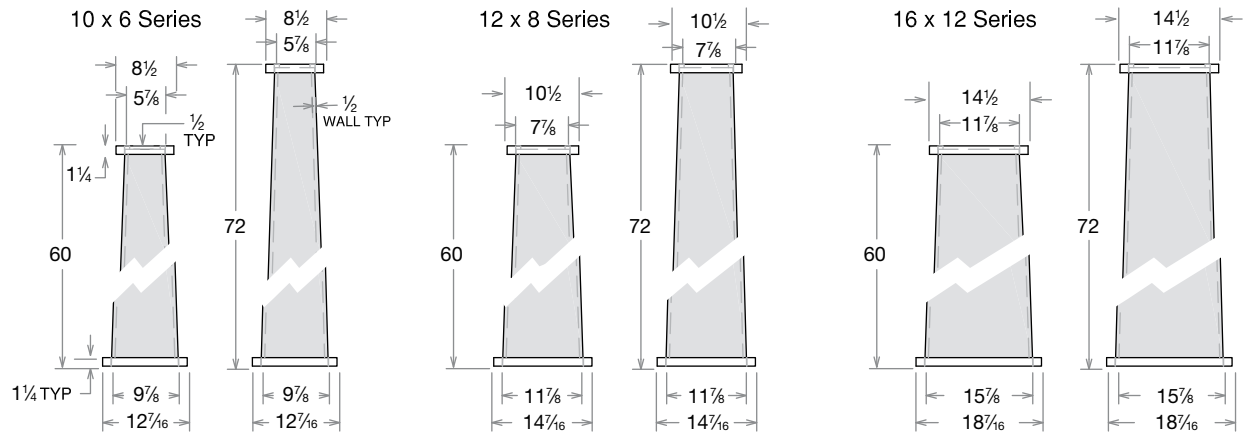
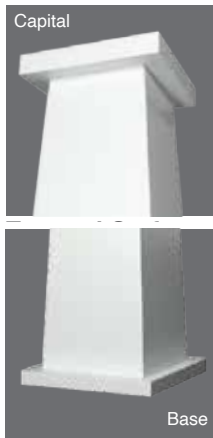
PROFILE #	PROFILE DESCRIPTION	PCS PER UNIT
9856	8 x 8 Contractor Cap/Base Set	8
9857	12 x 12 Contractor Cap/Base Set	6
9852	8 x 8 Traditional Cap/Base Set	8
9853	12 x 12 Traditional Cap/Base Set	6
9860	8 x 8 Craftsman Cap/Base Set	8
9861	12 x 12 Craftsman Cap/Base Set	6



# Tapered Traditional Series



# Tapered Craftsman Series



PROFILE #	PROFILE DESCRIPTION	ACTUAL INSIDE DIMENSION	ACTUAL OUTSIDE DIMENSION	AVAILABLE LENGTHS	QTY PER UNIT
9959	10 X 6 Tapered Column Wrap	8 <sup>7</sup> / <sub>8</sub> " x 4 <sup>7</sup> / <sub>8</sub> "	9 <sup>7</sup> / <sub>8</sub> " x 5 <sup>7</sup> / <sub>8</sub> "	5' & 6'	9
9963	12 X 8 Tapered Column Wrap	10 <sup>7</sup> / <sub>8</sub> " x 6 <sup>7</sup> / <sub>8</sub> "	11 <sup>7</sup> / <sub>8</sub> " x 7 <sup>7</sup> / <sub>8</sub> "	5' & 6'	9
9967	16 X 12 Tapered Column Wrap	14 <sup>7</sup> / <sub>8</sub> " x 10 <sup>7</sup> / <sub>8</sub> "	15 <sup>7</sup> / <sub>8</sub> " x 11 <sup>7</sup> / <sub>8</sub> "	5' & 6'	10

PROFILE #	PROFILE DESCRIPTION	CAP DIMENSION	BASE DIMENSION	QTY PER UNIT
-----------	---------------------	---------------	----------------	--------------

## Traditional

9984	10 X 6 Tapered Cap/Base Set	9 <sup>1</sup> / <sub>16</sub> " x 5 <sup>7</sup> / <sub>8</sub> "	12 <sup>15</sup> / <sub>16</sub> " x 9 <sup>7</sup> / <sub>8</sub> "
9985	12 X 8 Tapered Cap/Base Set	11 <sup>1</sup> / <sub>16</sub> " x 7 <sup>7</sup> / <sub>8</sub> "	14 <sup>15</sup> / <sub>16</sub> " x 11 <sup>7</sup> / <sub>8</sub> "
9986	16 X 12 Tapered Cap/Base Set	15 <sup>1</sup> / <sub>16</sub> " x 11 <sup>7</sup> / <sub>8</sub> "	18 <sup>1</sup> / <sub>16</sub> " x 15 <sup>7</sup> / <sub>8</sub> "

## Craftsman

9984	10 X 6 Tapered Cap/Base Set	8 <sup>1</sup> / <sub>2</sub> " x 5 <sup>7</sup> / <sub>8</sub> "	12 <sup>7</sup> / <sub>16</sub> " x 9 <sup>7</sup> / <sub>8</sub> "
9985	12 X 8 Tapered Cap/Base Set	10 <sup>1</sup> / <sub>2</sub> " x 7 <sup>7</sup> / <sub>8</sub> "	14 <sup>7</sup> / <sub>16</sub> " x 11 <sup>7</sup> / <sub>8</sub> "
9986	16 X 12 Tapered Cap/Base Set	14 <sup>1</sup> / <sub>2</sub> " x 11 <sup>7</sup> / <sub>8</sub> "	18 <sup>7</sup> / <sub>16</sub> " x 15 <sup>7</sup> / <sub>8</sub> "

Order as Needed

CENTRALIA, IL  
866.755.7636

MOBERLY, MO  
800.892.5850

MT. PLEASANT, IA  
800.258.5809

SPRING HILL, KS  
800.490.4320

Proudly  
Supplied  
By

