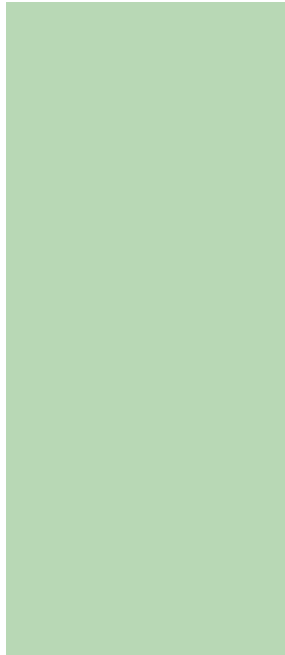
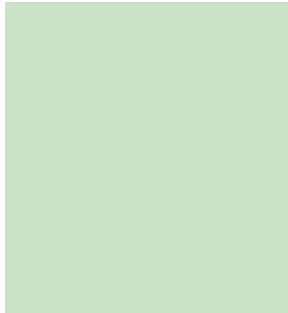


Architectural Door Accessories

ASSA ABLOY
Opening Solutions

Experience a safer
and more open world



Markar and Pemko Catalog

General Information

About the Pemko Product Line	8
General Information & Terms	9
Materials & Finishes Information	11
Product Testing / Classification Symbols	12
Barrier-Free Systems	14
ANSI/BHMA Standards	15

Markar Continuous Pin and Barrel Hinges

General Information	18
Hinge Finishes	20
Hinge Numbering System and Standard Lengths	21
Continuous Hinge Modifications	22
3500 Series Stainless Steel Pin and Barrel Security Hinges	25
600 Series Stainless Steel Pin and Barrel Hinges	29
300 Series Stainless Steel Pin and Barrel Hinges	30
300 Series Stainless Steel Edge Guards	52
200 Series Carbon Steel Pin and Barrel Hinges	55
100 Series Aluminum Pin and Barrel Continuous Hinges	60
1000 Series Aluminum Double Swing Hinge	66
900 Series Toilet Partition Hinges	67
400 Series Toilet Partition Hinges	69
Pivots	71
Flat Astragals	72
Fasteners and Fastener Packs	73
Tools, Parts, and Accessories	78
Custom Lengths	79

PemkoHinge® Geared Continuous Hinges:

What is PemkoHinge®?	82
Ordering Chart	82
BHMA Certification Program	83
Hospital Tip	83
Cycle Requirements and Weight Bearing	83
UL Fire Labeling	83
Options for Electrically Modified Continuous Geared Hinges	84
X-Series PemkoHinge®	85
Offset Hinges	86
Full Mortise Hinges	87
Special Full Mortise Hinges	88
Kawneer Full Mortise Hinges	89
Raised Gear Hinge	89
Full Mortise Safety Hinges	90
Wide Throw Full Mortise Hinges	91
Wide Throw Half Surface Hinges	91
Half Surface Hinges	92
Half Mortise Hinges	92
Full Surface Hinges	93
Full Surface Center Pivot Hinges	93
Full Surface Balanced Pivot Hinge	93
Full Mortise Residential Hinges	94
Firepins™	95
Double Swing Hinge	96
Emergency Release Stop	96
Power Transfer Units	97

Commercial Thresholds:

Saddle Thresholds	100
Half Saddle Thresholds	106
Offset Saddles and Offset Half Saddles	109
Stainless Steel Saddles	110
Stainless Steel Half Saddles and Offset Saddles	111
Thermal Break Saddles	112
Stainless Steel Thermal Break Threshold	115
Latching Panic Exit Saddles	116
Latching Panic Exit Saddles - Thermal Break	120
Acoustic Thresholds	123
Threshold with Flexible Joint	123
Eco-V™ Thresholds	124

Adjustable-Width Eco-V™ Threshold	125
Heavy Duty Latching Panic Exit Saddle Threshold	126
Heavy Duty Thresholds	126
Modular Heavy Duty Thresholds	127
Floor Plates/Safety Treads	128
Aluminum Plates	129
Carpet Separators	130
Floor Plate Supports/Accessories and Elevators	131
Threshold Stop Strips	132
Floor Closer Thresholds/Cover Plate Assemblies	133
ANSI/BHMA A156.21 Thresholds - Cross Reference	134

Modular Ramps:

Ramp Ordering Information	138
Modular Ramp Threshold Assemblies - Flush Applications	139
Modular Ramp Threshold Assemblies - Offset (7" Top Plate)	140
Modular Ramp Threshold Assemblies - Offset (3½" Top Plate)	141
Modular Ramp Threshold Components	142
Modular Ramp Threshold Assemblies - Variables	143
Risers for Modular Ramps	143
Miter Returns For All Modular Ramp Thresholds	144
Barrier-Free Ramp Thresholds	145
Fire Retardant and Styrene Butadiene Rubber Ramp Thresholds	146
Rubber Ramp Miter Returns	147
Recycled Rubber Ramp Assembly	147

Door Bottoms:

Automatic Door Bottoms	150
Security Door Bottoms	154
Residential Automatic Door Bottoms	154
End Plates for Automatic Door Bottoms	155
Excessive Gap Door Bottom Solutions	156
Excessive Gap Door Top Solutions	156
Eco-V™ Door Shoes	156
Door Shoes	157
Thermally Broken Door Shoe	159
Door Sweeps for Hollow Metal Doors	160
Fabrication Options for Door Shoes	160
Door Bottom Sweeps	161
Stainless Steel Door Bottom Sweeps	164
Specialty Door Bottoms	165
Door Top Weatherstrip	165
Heavy Duty Door Bumper	165

Astragals & Meeting Stiles

Astragal and Meeting Stile Gasketing - Split Astragals	168
Split Astragals with Snap Covers - Concealed Fasteners	170
Meeting Stile Gasketing	170
Adhesive Astragal/Meeting Stile Seals	172
Adjustable Astragals	172
"T" and Overlapping Astragals	173
Adhesive-Backed Mullion Gasketing	174
Adhesive Astragal Seal	174
Offset Security Bar and Security Astragal	174
Locking Astragals	175
Locking Wood Astragals	177
Outswing Locking Astragals	178

Brush Gasketing:

180° Aluminum Retainers	180
180° Concealed Fastener Retainers	181
90° Aluminum Retainers	182
45° Concealed Fastener Retainers	182
35° Aluminum Retainers	184
Mortise Retainers	184
Aluminum Retainer with Rain Drip	184
Oak Retainers	184
Meeting Stiles	185
Automatic Door Bottoms	186

Proudly Supplied By



Perimeter Gasketing:

Standard Perimeter Gasketing	188
Perimeter Gasket Solutions for Sliding Doors	191
Stainless Steel Perimeter Gasketing	192
Adjustable Jamb Gasketing	193
Heavy Duty Interlock Perimeter Gasketing	193
Heavy Duty Perimeter Gasketing - Head Section	194
Heavy Duty Perimeter Gasketing - Standard Jamb	195
Perimeter Gasket Jamb Brackets	195
Snap Cover Perimeter Gasketing With Concealed Fasteners	196
Kerf-In Weatherstrip	197
Magnetic Weatherstrip	198
Adhesive Perimeter Gasketing	198
MicroShield® Antimicrobial Adhesive Gasketing	199
Excessive Gap Perimeter Solution	200
Interlock Weatherstrip For Wood Windows	200
Interlock Weatherstrip For Wood Doors	201
Cushion/Spring Weatherstrip	201
Fasteners for Cushion, Spring and Interlock Weatherstrip	201
Privacy Seals for Sliding Doors	202

Adhesive Gasketing:

SiliconSeal Adhesive-Backed Fire/Smoke Gasketing	204
PemkoPrene® Adhesive-Backed Fire/Smoke Gasketing	205
SiliconSeal Adhesive-Backed Meeting Stile Gasketing	205
MicroShield® Antimicrobial Gasketing	206
Hot Smoke Seal/SiliconSeal Combination Fire/Smoke Sealing	206

Hospitality Products:

Privacy Door Latch, Bracket and Decals	208
SiliconSeal Adhesive Gasketing	209
Automatic Door Bottoms: Acoustic	210
Door Shoes	210
Acoustic Adhesive Corner Pads	210
Automatic Door Bottoms	211
Eco-V™ Thresholds	212
Adjustable-Width Eco-V™ Threshold	213
Stainless Steel Sliding Track Hardware System	214
Simultaneous Acting Sliding Door System	215
SHS80 System	216
Bypass Track Series	217

Acoustic Products:

Basic Acoustic Information	220
Acoustic Seal Sets	222
Acoustic Thresholds	223
Saddle Thresholds	224
Automatic Door Bottoms - Acoustic	225
Door Shoes	225
Acoustic Adhesive Corner Pads	225
Standard Perimeter Gasketing	226
SiliconSeal Adhesive-Backed Gasketing	226

Pemko Sliding & Folding Hardware:

H180A Series	228
SHS80 Series	229
Sliding 200 Series	230
Side Wall Track (SWT) System	231
Bypass Track Series	234
SIM200A Series	235
LP200 Series	236
Sirocco Series	237
H300S-OH Series	238
H300S-SW Series	239
H440A-OH Series	240
H440A-SW Series	241
H600S-OH Series	242

H600S-SW Series	243
H800S-OH Series	244
H800S-SW Series	245
H1100A-OH Series	246
H1100A-SW Series	247
Husky Sliding Glass Series	248
Pocket Frame Kit	249
Folding 100 Series	250
Pacer Interior End Fold Series	251
Flexirol Interior End Fold Series	252
Stainless Steel Sliding Track Hardware System for Wood Doors	253
Stainless Steel Sliding Track Hardware System for Glass Doors	262
Builders Series Flat Track for Wood Doors	264
Designer Series Flat Track for Wood Doors	266
SIM 150 - 2 Door	270
SIM 150 - 3 Door	271
Cascading Door with Sample Configurations	272
SDL Privacy Barn Door Lock	273
Options and Accessories	274
Privacy Seal Sets	274
Soft Close Systems	275

Residential Thresholds

Interlocking Thresholds and Caps	280
Interlocking Thresholds - Water Return	281
Interlocking Hooks	281
Residential Thresholds - Water Return	282
Adjustable Eco-V™ Top Thresholds	282
Eco-V™ Top Thresholds	283
Residential Saddles	283
Bumper Thresholds for Outswing Doors	284
Squareback Thresholds	285
Oak Thresholds	285
Sill Nosings	286
Adjustable Aluminum Top Sills	287
Adjustable Oak Top Sills	288
Outswing Adjustable Oak Top Sills	289
Residential All-Aluminum Adjustable Sills	289
Fixed Eco-V™ Top Residential Sills	290
Residential All-Aluminum Fixed Sills	290
Outswing Fixed Bumper Sills	291
Extenders For All Residential Sills	291
Bumper Thresho-Sills For Outswing Doors	292
Thresho-Sills	293
Fabrication Options For Thresho-Sills	294

Floor Molding, Trim, & Handyshapes™

Carpet Bar and Seam Binding	296
Stair Nosing and Edging	296
Oak Seam Binding, Floor Edging, and Carpet Trim	297

Weatherization Products

Foam Tape	300
Neoprene Tape	301
Miscellaneous Tape	301
Spring Bronze Weatherstrip	301
Garage Door Weatherstrip	302

Fire Glazing Tape

Fire Glazing Tape	304
Fire Glazing Tape Applications	305

Door & Frame Accessories

Glazing Bead/Spreader Bar	312
Reinforcements - Fillers	312
Reinforcements - Misc.	313

Product	Index	Product	Index	Product	Index	Product	Index	Product	Index
10	200	177	118	252	107	322	193	1716	127
12	262	179	117	253	107	324	286	1717	127
30	201	181	118	254	107	326	286	1718	127
32	263	182	110	255	107	327	286	1719	127
43	201	183	131	256	108	330	190	1842	132
56	162	184	132	257	145	331	201	1855	118
57	162	185	119	259	145	332	189	1875	109
61	281	188	131	270	100, 154	335	193	1877	109
62	253-255	189	131	271	100	336	193	1951	130
66	281	190	128	272	100	344	165	2001	116
68	165	191	128	273	106	345	162-163, 184	2002	116
72	256	192	128	274	106	346	165	2005	116
73	201	193	128	276	101, 133	347	165	2006	116
74	201	195	131	277	117	350	193	2007	117
75	201	196	131, 154, 165	278	106	351	172	2008	123, 223
82	257	198	105	279	106	352	173	2009	117, 223
92	258	200	131	280	208-230, 235-236, 250	354	172	2010	117
101	280	205	284	281	229-230, 235-236, 248, 250, 274	355	173	2051	284
107	280	206	283	282	131	356	173	2052	285
108	280	207	283	283	131	357	173	2053	285
111	259-261	208	283	283	250	358	170	2054	285
114	281	209	157	283	131	359	173	2120	296
120	281	210	157	283	250	368	161	2131	296
136	281	211	157	285	190	369	171	2132	296
142	281	212	283	290	132, 195	371	171	2134	296
145	281	213	282	290	238-239	372	171	2170	156
146	281	214	283	294	191	375	173, 189	2173	158, 210
149	284	215	157	296	190	378	174	2211	159
151	100, 224	216	157	297	168, 188	379	193	2212	159, 225
153	292	217	157	300	171	394	191, 202	2218	296
154	103, 224	218	283	301	242-245	405	154	2219	296
156	106	219	283	303	168, 188, 226	411	153, 186, 211	2221	160
157	110	221	159	305	168, 189	412	152	2266	128
158	109	222	160	306	191	420	153	2286	128
159	118	223	158	307	162	434	153, 186	2343	158, 210
166	102	225	160	308	162	566	109	2364	130
167	293	227	108	309	191	766	109	2366	130
168	109	228	128	310	169	950	191, 202	2548	104, 133
169	102	229	108	312	190, 226	1076	272	2549	105
170	102	230	130	313	165, 170	1546	103, 224	2550	105
171	104	231	283	314	165, 170	1547	103, 224	2555	108
172	104	233	283	315	161, 190, 226	1571	110	2565	108
173	100	234	157	316	169, 188	1665	102	2604	296
174	130	236	130	317	165	1700	102	2705	126
175	103, 224	249	282	319	189	1710	103	2715	126
176	104, 133	250	282	321	161	1715	126	2716	126

ASSA ABLOY
Opening Solutions

Experience a safer
and more open world

800-824-3018 | www.assaabloydooraccessories.us

Check the web site for the up-to-date catalog

Copyright © 2015-2021, ASSA ABLOY Accessories and Door Controls Group, Inc., an ASSA ABLOY Group company. All rights reserved. Reproduction in whole or in part without the express written permission of ASSA ABLOY Accessories and Door Controls Group, Inc. is prohibited.

Product	Index	Product	Index	Product	Index	Product	Index	Product	Index
57B.....	240-241	EL-EPT.....	97	FM327.....	48	HBP200A.....	222, 234	K436.....	155
57K/N.....	238-239	EL-EPTL.....	97	FM338.....	50	HF2/100.....	250	K436SM.....	155
573x5_FG.....	123	EL-EPT-SC.....	97	FM344.....	51	HF2/100 PACK ...	250, 274	LH100.....	236
600A.....	240-241, 251	EPD3 ..228-230, 234-235,		FM3500.....	25	HF3-25PK.....	312	LP200A.....	236
601H.....	229, 235,	253-261, 264-265,		FM400.....	69	HF4/100.....	250	MAG349.....	198
	248, 272, 274	270-272		FM900.....	67	HG105.....	65	N84518.....	290
601P.....	240-241	ERS.....	96	FS.....	93	HG305.....	37	N85518.....	290
6C.....	200	EV232.....	124, 212	FS/SC309.....	39	HG306.....	38	NL13516.....	201
70C-100.....	201	EV2320.....	124, 212	FS_BP.....	93	HG310.....	40	NL1634.....	201
70D-100.....	201	EV2322.....	124, 212	FS_CP.....	93	HG311.....	41	NL1678.....	201
70E-100.....	201	EV2325.....	124, 212	FS101.....	61	HG315.....	42	OAK349.....	175
70F-100.....	201	EV2326.....	124, 212	FS102.....	62	HG322.....	44	OS_FM.....	86
766x3_FG.....	114	EV80.....	156	FS201.....	56	HG323.....	45	OS_HS.....	86
8-12/SN.....	248	EXT2.....	291	FS202.....	57	HG326.....	47	OS95518.....	289
89/2N.....	238-247	EXT3.....	291	FS301.....	33	HG329.....	49	P240.....	300
94518_W.....	288	EXT3/4.....	291	FS302.....	34	HG3505.....	28	P241.....	300
94A.....	228-236, 238-247,	F134...228-230, 234-235,		FS321.....	43	HH3/290.....	238-239	P241-30.....	300
	250-252, 274	270-272, 274		FS3501.....	26	HH3/301.....	242-247	P242.....	300
95518_W.....	288	F160C.....	240	FS3502.....	27	HM.....	92	P243.....	300
971A...228-230, 235-236,		F160ECP.....	240	FS402.....	70	HM104.....	64	P244.....	300
238, 240, 242, 244, 246,		F1F4/275A.....	252	FS902.....	68	HM204.....	59	P260.....	300
250-252, 274		F200C.....	241	FS910.....	68	HM304.....	36	P261.....	300
ACP112.....	210, 225	F200ECP.....	241	G60.....	262	HS.....	92	P262.....	300
ADJ232V14.....	125, 213	FA68.....	72	G70.....	263	HS_SF.....	92	P263.....	300
ADJ232V8.....	125, 213	FA70.....	72	GLASSGUIDE.....	262-263	HS103.....	63	P264.....	300
ADJ232x2325V8..	125, 213	FA80.....	72	GS2-20PK.....	312	HS203.....	58	P265.....	300
AM44.....	199, 206	FG3000S45.....	304-307,	GS3-20PK.....	312	HS303.....	35	P266.....	300
AM88.....	199, 206		310	GS4-20PK.....	312	HSS1000.....	206	P361V16.....	302
B1921.....	71	FG3000S90.....	304,	H200PACK.....	230-234,	HSS2000.....	206, 309	P364R16.....	302
B1923.....	71		308-309		274	HSS2000xS44.....	206	P365V16.....	302
BAR.....	253-263	FIF2/275A.....	252	H1100A-OH.....	246	HSS2000xS88.....	206	P380.....	301
BKT050.....	195	FIR349.....	175	H1100A-SW.....	247	HSS20XGxS773.....	200	P381.....	301
BKT075.....	195	FM.....	87	H180A.....	228	K_FM.....	89	P382.....	301
BKT1532.....	195	FM/SC325.....	46	H200.....	230	K1077_-SWEP.....	228	P384.....	301
BRACKET2.....	253-263	FM_RG.....	89	H222-45.....	228-235,	K134EP.....	229-230,	P385.....	300
CB1-50PK.....	312	FM_SF.....	90		249, 272		235, 274	P386.....	300
CR2-5PK.....	313	FM_SLF.....	87	H300S-OH.....	238	K28_-SWEP.....	231	P387.....	301
DSH.....	96	FM_SLF138.....	90	H300S-SW.....	239	K411.....	155	P388.....	301
DSH1000.....	66	FM_SLI.....	87	H440A-OH.....	240	K412.....	155	P390.....	300
E199.....	165	FM_SLISF.....	90	H440A-SW.....	241	K4133.....	155	P391.....	300
EG308.....	52	FM100.....	60	H600S-OH.....	242	K420.....	155	P392.....	300
EGC308.....	53	FM200.....	55	H600S-SW.....	243	K4301.....	155	P393.....	300
EGT308.....	54	FM300.....	30	H800S-OH.....	244	K435.....	155	P394.....	300
EL-CEPT.....	97	FM300WT.....	31-32	H800S-SW.....	245	K435-PREM.....	155	P396.....	300

ASSA ABLOY
Opening Solutions

Experience a safer
and more open world

800-824-3018 | www.assaabloydooraccessories.us

Check the web site for the up-to-date catalog

Copyright © 2015-2021, ASSA ABLOY Accessories and Door Controls Group, Inc., an ASSA ABLOY Group company. All rights reserved.
Reproduction in whole or in part without the express written permission of ASSA ABLOY Accessories and Door Controls Group, Inc. is prohibited.

Product	Index	Product	Index	Product	Index	Product	Index	Product	Index
P397	300	R.5OSMR	140	RAMP 4	142	SHS80	216, 229		
P398	300	R.5OSS	141	RAMP 5	142	SIM100	235		
P480	301	R.5OSSMR	141	RAMP 6	142	SIM150	215, 270-271		
P484	301	R.75F	139	RAMP 7	143	SIM150-BOLTKIT	270-272		
P490	301	R.75FMR	139	RAMP 8	142-143	SIM150-LOCKKIT	270-272		
P491	301	R.75OS	140	RAMP 9	142	SIM200A	235		
P493	301	R.75OSMR	140	RAMP10	142	SIRF/2500	237		
P497	301	R.75OSS	141	RAMP 11	142	SIRLH /SIRRH	237		
P50	198	R.75OSSMR	141	RAMP 12	142	SOFT CLOSE	275-277		
P51B17	201, 301	R1.25F	139	RAMP 13	143	SPFM	88		
PDLAA	208	R1.25FMR	139	RAMP 14	143	SPFM_SLF	88		
PDLBRKT	208	R1.25OS	140	RR1	146	SPFM_SLI	88		
PDL-D1	208	R1.25OSMR	140	RR1.25FMR	147	STC411	151, 210, 255		
PDL-D2	208	R1.25OSS	141	RR12_H	147	STC4131	151, 210, 225		
PEMKOSTCSET	222	R1.25OSSMR	141	RR2	146	STC510	151		
PEMKOSFSET	202, 274	R1.5F	139	RS138	94	STOP1	256, 263, 274		
PF134 KIT	249	R1.5FMR	139	RS175	94	STOP2	253, 255-259, 261-263		
PF28200A	249	R1.5OS	140	RVAR1/A	143	W100	257		
PFAS	249	R1.5OSMR	140	RVAR1/AK	143	W60	214, 253		
PFAS100	249	R1.5OSS	141	RVARIOSS	143	W70	254		
PFAS88	249	R1.5OSSMR	141	S104	197	W80	255		
PFBG-4	249, 274	R1.75F	139	S105	197	W90	256		
PFBG-8	249, 274	R1.75FMR	139	S109	197	WING 10_H	144		
PFBS	249, 274	R1.75OS	140	S1125	174	WING 16_H	144		
PFCDKIT	249	R1.75OSMR	140	S44	198, 204, 209, 226	WING EXT_H	144		
PFFC-8	249	R1.75OSS	141	S442	198, 204, 209, 226	WT_FM	91		
PFHB-1	249	R1.75OSSMR	141	S52	197	WT_HS	91		
PFHB-2	249	R1F	139	S77	199, 204	X25M	85		
PFHS	249	R1FMR	139	S771	172, 205, 209	XF	85		
PFKIT-4	249	R1OS	140	S771x6	172, 199, 205, 209	XG2212	156		
PFKIT-8	249	R1OSMR	140	S772	172, 205, 209	XG90KIT	200		
PIF2/165A	251	R1OSS	141	S773	198, 204, 209, 226	XG900	200		
PIF4/165A	251	R1OSSMR	141	S776	199, 204, 209	XI	85		
PK33	199, 205	R2.25F	139	S88	198, 204, 209	XK	85		
PK52	198	R2.25FMR	139	SA1	154	XM	85		
PK55	199, 205	R2F	139	SA2	154				
Q102	197	R2FMR	139	SA3	154				
Q103	197	R2OS	140	SA4	154				
Q106	197	R2OSMR	140	SBR.5F	154				
Q107	197	R2OSS	141	SBR.5FMR	154				
Q108	177, 197	R2OSSMR	141	SBR1F	154				
R.5F	139	RAMP 1	142	SBR1FMR	154				
R.5FMR	139	RAMP 2	143	SDL	273				
R.5OS	140	RAMP 3	142						

About the Pemko Product Line

Since 1952, the Pemko name has been known as a key manufacturer in weatherstripping products. Over the years, as an ASSA ABLOY Group brand, we have expanded our product line into a full line of architectural door trim products to include thresholds, fire/smoke gaskets, door bottoms, perimeter gasketing, brush seals, astragals, continuous geared and stainless steel hinges, fire and life-safety products, lites and louvers, and sliding door hardware.

The Pemko product line offers offers sound-tested, smoke-labeled, fire-labeled, skid resistant, and ADA-compliant products, and aggressively pursues new product development to create solutions for new applications and requirements.

Applications

- **Energy Efficiency:** These products make a complete energy efficient door solution – door bottoms, astragals, meeting stiles, brush gasketing, perimeter gasketing, and thermal barrier thresholds.
- **Smoke and Fire Gasketing:** Hot Smoke Seal™ is an intumescent fire life-safety product that meets UBC7-2 (proposed UL10C) positive pressure testing. Pemko S88 and S773 silicone seals are also smoke and fire rated gaskets that meet UBC7-2 positive pressure testing and are Category G gaskets for edge sealing systems for use with Category B doors.
- **Pemko Acoustic Solutions:** As a result of extensive acoustic testing, our gasketing systems are used on openings with STC Ratings from the low-30's and into the mid-50's. Acoustic seal sets have been assembled to better assist with determining an operable rating when a door's sealed-in-place rating is known. See pages 222 to 224 for more info.
- **Electrically Modified Pemko Hinges:** Continuous geared hinges are designed for commercial doors of all traffic levels and offer many benefits for your opening. All of our commercial-grade continuous geared hinges have the added option for electrical modification. Some of these options allow for electrical modifications to be made without removing the door from the opening.
- **ADA-compliant aluminum and rubber ramps** provide wheelchair access in public access doorways.
- **Sustainability:** Products are certified to GREENGUARD GOLD standards for low chemical emissions into indoor air during product usage.

All products in the Pemko line undergo rigorous testing to ensure that they meet or exceed the industry standards. Look for the logos next to the product drawings and see pages 12-13 for more information.



LEED Certification Contribution

ASSA ABLOY can help to achieve prerequisites and accumulate points in several categories and credit areas for LEED. For further information, please call 1-800-824-3018 or refer to our website to view our prepared LEED statement.



U.S. Green Building Council logo is a trademark owned by the U.S. Green Building Council and is used with permission.

ASSA ABLOY is a member of the USGBC and CaGBC

Sales & Support

Customer Service Representatives are available from 7am to 7pm Central time at 1-800-824-3018 or visit the website for the current catalogs, sell sheets, and the most up-to-date templates.

There are many items on the Pemko Quick Ship Program that ship within 48 hours. For the most up-to-date information, visit the Accessories WebShop at <https://accessories.assaabloy.com/en/accessories>. Customers with established Pemko accounts may request an account in WebShop through Pemko's Customer Service Representatives.

Need a Sales Rep?

Pemko is largely represented by the ASSA ABLOY Door Security Solutions team (except N CA, N NV)

Contact your local ASSA ABLOY Door Security Solution Representative via e-mail by going to www.assaabloydss.com and clicking on "Sales Support" or call 1-800-DSS-EZ4U (800-377-3948).

For representation information in Northern California or Northern Nevada, please visit www.assaabloydooraccessories.us to locate and view the sales contact for your area or call Pemko Customer Service at 1-800-824-3018.

Website: www.assaabloydooraccessories.us

Facebook: www.facebook.com/ASSAABLOYARCHIT/

Twitter: @ASSAABLOYARCHIT

ASSA ABLOY has manufacturing and warehouse locations for the Pemko line in Memphis TN and Ventura CA as well as a warehouse location in Toronto ON.

ASSA ABLOY
Opening Solutions

Experience a safer
and more open world

800-824-3018 | www.assaabloydooraccessories.us

Check the web site for the up-to-date catalog

Copyright © 2015-2021, ASSA ABLOY Accessories and Door Controls Group, Inc., an ASSA ABLOY Group company. All rights reserved. Reproduction in whole or in part without the express written permission of ASSA ABLOY Accessories and Door Controls Group, Inc. is prohibited.

General Information and Terms

Terms:

All prices are F.O.B. factory. To customers with satisfactory and / or prior approved credit and account status, terms of 1% 15 days, NET 30 days will be allowed. Please enclose an account application prior to or with your initial order.

Credit Card Capabilities:

Visa, Mastercard and American Express are accepted (only for established open accounts). Payment terms are NET.

Freight Terms:

All orders are F.O.B. factory. For NET orders of \$1250.00 or more, freight will be prepaid in the continental U.S. for shipment the most economical way. For shipments to Hawaii or Alaska on NET orders of \$2000.00 or more, freight will be prepaid the most economical way. All shipments that exceed 96" in packaged length must be shipped LTL. Add 4" to the length of the product for finish package length. Minimum freight on these orders is \$140.00.

Oversized/Special Packaging:

\$100.00 NET. This will be added to any order not meeting prepaid freight where: a) the product is over 10' length, b) for welded threshold assemblies, or c) as deemed appropriate to ensure product safety while in transit.

Minimum Order Level:

A surcharge of \$15.00 NET will be added to NET orders less than \$100.00.

Returns And Allowances:

No merchandise will be accepted for return or credit unless prior written approval is obtained. Returned merchandise must be of recent sale (12 months), in restockable / resalable quality, size, and condition. S88, S44, S442, S776, S773, S772, S771, S771x6, PK55, and PK33 may only be returned within six (6) months of the date of sale.

Contact Customer Service for rules and Return Goods Authorization paperwork.

Cancellation Charges:

Cancelled orders for special material, non-stock sizes, or special sizes are subject to cancellation charges, based on factory expense and material used.

Guarantee:

Our products are guaranteed for (5) years against defects in material or workmanship, except: 1) PemKote abrasive surface for thresholds is guaranteed for ten (10) years. 2) Polyurethane foam tapes are guaranteed for 90 days. 3) Grade 1 PemkoHinges are guaranteed for the life of the opening against defects in material or workmanship. All other grades of PemkoHinge carry a ten (10) year warranty. 4) Electrical modification performance is guaranteed for five (5) years on Heavy Duty Grade 1 (HDI) and 1100 Series hinges. Electrical modification performance is guaranteed for one (1) year on Standard Duty and Heavy Duty Grade 3 (HD3) hinges. 5) PC Henderson products are guaranteed for two (2) years against defects in material workmanship. 6) Powder Coated finishes are warranted for two (2) years; normal wear is not included in coverage.

Markar Continuous Hinges and Pivots are guaranteed to be free from defects in materials and workmanship for a period of 10 years. Hinges with medical bearings are guaranteed for twenty-five (25) years. Markar Edge Guards and Astragals are guaranteed to be free from defects in materials and workmanship for a period of (1) year. Markar electrical modification performance is guaranteed for five (5) years.

ASSA ABLOY will not be liable for defects or damages arising from improper installation, product modification, incorrect application or storage of product. Written notice of damages must occur within the warranty period. Liability shall be limited to the replacement of product or component determined to be defective and shall not include costs arising from removal or reinstallation of product. Cost of replacement shall not exceed original purchase price. No other claims will be allowed. In no event shall liability be extended to include punitive, incidental or consequential damages arising from use of ASSA ABLOY products. This is the sole warranty given by ASSA ABLOY. No other warranty implied or expressed shall be allowed.

Claims For Shortage Or Damage In Transit:

All claims must be made within ten (10) days of receipt of goods. Consignee assumes the risk of loss or damage in transit.

Mill Lengths:

Most extrusions are available in mill lengths. Cut lengths over 12 feet are charged as mill lengths.

General Information and Terms

Ordering Information:

Please order material by product number, specifying length required per piece and the number of pieces. Most weatherstrips are stocked in standard sizes. If it is not practical to furnish the size ordered, the next larger size will be furnished and charged. Thresholds are maintained in standard sizes with $\frac{1}{2}$ " extra length on thresholds thru 47" and 1" extra length for thresholds 48" and longer to allow for fitting and field trim, unless exact net cut size is specified. Cut lengths under 24" will be charged as 24".

Thresholds, perimeter gaskets, astragals, and door bottoms are punched or drilled as standard, unless otherwise specified in this catalog. Material can be supplied without holes by stating "No Holes" on the applicable purchase order line.

Thresholds are punched with 12" centers. Thresholds over 8" in width will be punched with a double row. Thresholds are generally supplied with #10 flat head screws. Other fasteners are available on request.

Metal retainers for perimeter gaskets, door bottoms, and astragals are punched with 8" centers.

Non-Stock Finish Information:

Some items shown in this catalog are not stocked in certain finishes (i.e. BDG, G, PW, and SN). 'Batch charges' may be required on non-stock finishes to achieve our normally fast lead times. Contact Customer Service for a quotation and lead time.

Option Tables:

The option tables are provided for selection of other than standard or normal finishes, components, fabrication, or fasteners. Since these are other than standard or normal, please allow for extra lead time for option(s) selected.

Cutting Tolerances:

Elastometric: $-0 + 2"$ (50.8mm)

Thresholds (up to 48"): $+ \frac{1}{2}"$ (12.7mm)

Thresholds (48" and up): $+1"$ (25.4mm)

Net Cut: $\pm 0.060, \frac{1}{16}"$ (1.5mm)

Hinges: $\pm 0.032, \frac{1}{32}"$ (0.8mm)

Automatic Door Bottoms: $\pm 0.060, \frac{1}{16}"$ (1.5mm)

Orders are subject to acceptance by ASSA ABLOY. All prices and terms are subject to change without notice.

How to Order (Product Number Designations):

When placing your order, please specify the product profile number, finish, insert and size/length. Also make sure to clearly state any special fabrication needs, optional fasteners or custom finishes/sizes required.

Throughout the catalog, products are listed with an underscore (_) where variable finishes are available. More in-depth ordering information for specific lines is available in the individual product sections of the catalog.

Standard Products:

Example: 2001 A T 36 (Shown as 2001_T in catalog)

Profile#:	Finish:	Insert:	Size/Length:
2001	A	T = ThermoSeal™	36 = 36"
216	SN	PK = PemkoPrene®	48 = 48"
297	BDG	V = Eco-V™	3684 = 1 piece @ 36" + 2 pieces @ 84"
303	A	S = Silicone	84/2 = 2 pieces @ 84"

Adhesive Gasketing Products:

Example: S773 D 21 (Shown as S773_ in catalog)

Profile#:	Finish:	Size/Length:
S773	D	21 = 21' coil
PK55	BL	510 = 510' (bulk packaging)
S88	W	17 = 17' coil

For PemkoHinge® and Modular Ramps, see detailed ordering information in their individual catalog sections.

ASSA ABLOY
Opening Solutions

Experience a safer
and more open world

800-824-3018 | www.assaabloydooraccessories.us

Check the web site for the up-to-date catalog

Copyright © 2015-2021, ASSA ABLOY Accessories and Door Controls Group, Inc., an ASSA ABLOY Group company. All rights reserved. Reproduction in whole or in part without the express written permission of ASSA ABLOY Accessories and Door Controls Group, Inc. is prohibited.

Materials and Finishes Information

Metals:

Extruded metal products are made from 6063 aluminum alloy or CDA alloy C38500 architectural bronze (brass). Roll-formed metal products are made from stainless steel, high-strength special-purpose zinc alloy, 70-30 yellow brass, or 85-15 red brass. Roll-formed aluminum weatherstripping is produced from various alloys selected for the particular properties required. See finishes information below for all finish designations. If you do not see the option you require, please inquire with our Customer Service Department about the feasibility of a custom finish.

Finish Designations:

A	- Mill Finish Aluminum	G	- Gold Anodized Aluminum
AK	- Mill Finish Aluminum w/PemKote®	PA	- Mill Finish Aluminum
B	- Mill Finish Extruded Bronze (Brass)	PW	- Painted White Aluminum
BDC	- Bright Dip Clear Anodized Aluminum	S	- Cladded Stainless Steel
BK	- Mill Finish Extruded Bronze (Brass) with PemKote®	SN	- Satin Nickel Anodized Aluminum
BDG	- Bright Dip Gold Anodized Aluminum	SP	- Galvannealed Steel
BSP	- Black Suede Powder Coat	SS	- Stainless Steel (see individual part for finish)
C	- Clear Anodized Aluminum	WSP	- White Suede Powder Coat
D	- Dark Bronze Anodized Aluminum	Z	- Steel Metal
		10BE	- Satin Bronze Powder Coat

Special Order Finishes:

Champagne	Polished Bronze, Uncoated
Light/Medium Dark Bronze	Satin Brushed Aluminum, Uncoated
Painted Aluminum (any color)	Satin Brushed Bronze, Uncoated
Polished Aluminum, Uncoated	Oxidized and Oil Rubbed Bronze

Finish Options:

PemKote®	Adhesive Gasketing And Replacement Eco-V™ Finishes:
Anodized (<i>clear, light/medium dark bronze, black, champagne, gold</i>)	BL - Black
Chrome Plate	C - Clear
Prime Coat	D - Dark Brown
Pewter Finish for Aluminum	GR- Light Gray
Polish/Buf Brass	TAN - Tan
Polish/Buf Aluminum	W - White
Satin Buff Brushed Brass	
Oxidized & Oil Rubbed L-metal (ANSI/BHMA 722)	
Oxidized & Oil Rubbed L-metal (custom finish, 609, 613)	
Oxidized & Oil Rubbed Thresholds (ANSI/BHMA 722)	
Oxidized & Oil Rubbed Thresholds (custom finish, 609, 613)	
Oxidized & Oil Rubbed Weatherstrip (ANSI/BHMA 722)	
Oxidized & Oil Rubbed Weatherstrip (custom finish, 609, 613)	

Inserts:

ASSA ABLOY manufactures many products with gasket inserts (seals). See insert information below for all insert (seal) designations. Also, the available inserts (seals) for each individual product are shown adjacent to each individual product.

E	- EPDM, Solid	PK	- PemkoPrene®*	SB	- Soft Brush
M	- Magnetic	Q	- Kerf-in Foam	T	- ThermoSeal
N	- Neoprene or EPDM	R	- Sponge Neoprene or EPDM	TF	- Triple Foam
NB	- Nylon Brush	S	- SiliconSeal or Sponge Silicone (see individual part)	V	- Eco-V®
P	- Pile				

*PK: In order to best control our customers' costs some PK (Santoprene™) products may be a silicon based elastomeric material with comparable performance.

Fabrication Options:

ASSA ABLOY offers many fabrication options for our Pemko line to fit specific job requirements. Please consult our Customer Service department for details. Custom fabrications are subject to engineering design costs and are quoted on a time and material basis.

Bevel	One Edge	Miter2-1	Double, One End of Threshold
Cut	Thresho-Sill Nosing Flush	Miter2-2	Double, Both Ends of Threshold
Leadline	Leadline of Astragals, Door Bottoms	Half Notch	1/2", Door Shoe, Both Ends, Drip Only
Rip	Width	Half Notch	3/4", Door Shoe, Drip Only, Both Ends
Tack Weld	One Line	Half Notch	5/8", Door Shoe, Drip Only, Both Ends
Tab	Welded Tab & Screw	Half Notch	9/16", Door Shoe, Drip Only, Both Ends
Support Leg	For Elevated Plates 3" Center to Center	Full Notch	1/2", Door Shoe, Both Ends
L-Notch	Both Ends of Threshold	Weep Holes	All Door Shoes
U-Notch	Both Ends of Threshold	Custom Holes	Custom Hole Pattern
Drill	Thresho-Sill (Add "H" to Prod. #)		
Mill & Drill	Thresho-Sill (Add "M" to Prod. #)		
Miter1-1	Single, One End of Threshold		
Miter1-2	Single, Both Ends of Threshold		

Fabrication Options Important Note: Complicated fabrications are quoted based on time and materials.

Drawings:

Product drawings throughout the catalog may be a reduced representation/not drawn to scale. They are representations of the product size, dimensions, shape, etc. For scale drawings in PDF or AutoCAD (DWG or DXF) format, please visit our website: www.assaabloydooraccessories.us

Product Testing/Classification Symbols

These symbols are shown adjacent to products throughout the catalog so that one can readily identify and select products which meet specification and/or code requirements.

**GREENGUARD GOLD Certification:**

Tested To: UL2818

GREENGUARD GOLD Certified products are certified to GREENGUARD GOLD standards for low chemical emissions into indoor air during product usage. For more information, visit ul.com/gg.

**Air Infiltration Tested**

Tested To: ASTM E-283-04 (2012)

Products indicated by this symbol have been air infiltration tested in accordance with the requirements of ASTM E-283 Rate of Air Leakage Through Exterior Windows, Curtain Walls, and Doors.

**Sound Tested**

Tested To: ASTM E 90-2009

Products indicated by this symbol have been acoustically tested in accordance with ASTM E 90-2009. Method for Laboratory Measurement of Airborne Sound Transmission Loss of Building Partitions Tests were conducted by accredited laboratories for acoustic testing. Contact ASSA ABLOY for recommended PEMKOSTCSET kits.

**Barrier-Free**

Meets Requirements of: ADAAG-2010 (Amended) and ICC / ANSI A117.1-2017

Products indicated by this symbol are access compliant by having installed height differences not over 1/2" with allowable edge and slope conditions. All ramp products (found in the Modular Ramp section) have ADA compliant 1:12 slopes: Pemko Modular Ramp Thresholds, Rubber Ramp Thresholds and Recycled Rubber Ramps. Contact ASSA ABLOY or refer to page 14 for recommended Barrier-Free Systems.

ASSA ABLOY
Opening Solutions

Experience a safer
and more open world

800-824-3018 | www.assaabloydooraccessories.us

Check the web site for the up-to-date catalog

Copyright © 2015-2021, ASSA ABLOY Accessories and Door Controls Group, Inc., an ASSA ABLOY Group company. All rights reserved. Reproduction in whole or in part without the express written permission of ASSA ABLOY Accessories and Door Controls Group, Inc. is prohibited.

**Non-Skid/PemKote™**

Meets Requirements of: ASTM D 2047, UL 410 & Federal Specifications P-F-430C

PemKote™ is a rugged abrasive finish of nickel-aluminum composite which is fused to the metal surface by an exothermic reaction. This process produces an aesthetically pleasing skid resistant coating with extremely high bond strength and excellent resistance to oxidation. PemKote™ carries a TEN (10) YEAR GUARANTEE, and is available on all Pemko line metal thresholds and metal modular ramps. ASSA ABLOY highly recommends the use of PemKote™ for all Barrier-Free Modular Ramps and as a durable, economical alternative for cast abrasive products.

**Smoke Tested**

Tested To: UL 1784

Meets Requirements of: NFPA 105-2013

Products indicated by this symbol are Listed by WYLE Laboratories as having been tested in accordance with Underwriters Laboratories Inc.®, Standard UL 1784 Air Leakage Tests of Door Assemblies, and meet the performance criteria for allowable air leakage as specified in NFPA 105-2013 Installation of Smoke Control Door Assemblies.

**Fire Rated**

Products indicated by this symbol are fire rated, classified and listed (U.S.A. and Canada) to meet the requirements/standards of UL10B, UL10C, and UL10C (Edge Sealing). For a complete listing of fire rated and UL rated products, please refer to the UL website.

**PemkoHinge® Rating:**

All models designated with these symbols are tested and certified by Underwriters Laboratories Inc.® (U.S.A. and Canada) to standards UL10B and UL10C for up to a 3-Hour Fire Listing for all 4'-0" x 10'-0" and 8'-0" x 10'-0" door and frame assemblies. Fire listing certifications apply to all approved hollow metal and wood door assemblies in drywall or masonry wall construction. Check UL Rating #R14745 on the UL website for a complete and current listing of applicable PemkoHinge® products.

**Builders Hardware Manufacturers Association:**

Products indicated by this symbol have been voluntarily submitted to rigid third party testing and follow-up audits to confirm that they fully and continuously meet or exceed the requirements of their underlying ANSI / BHMA Standards. These products are listed in the BHMA Certified Products Directory, which is, published annually, and is available for purchase from BHMA. They are also posted and frequently updated on the BHMA website at www.buildershardware.com. ASSA ABLOY products are covered by the following: ANSI / BHMA A156.21-2019 Standard for Thresholds, ANSI / BHMA A156.22-2017 Standard for Door Gasketing Systems, and ANSI / BHMA A156.26-2017 Standard for Continuous Hinges.



UL1S47 - Check UL File #R18375 on the UL website for a complete and current listing of applicable Pemko line edge sealing and fire glazing products (not specifically listed by item in this product catalog).



UL4L10 - Check UL File #R14369 on the UL website for a complete and current listing of applicable Pemko line products (not specifically listed by item in this product catalog).




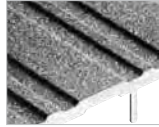








Check Pemko's Category G, Category H and Category J listings on ITS website www.intertek.com for a complete and current listing of applicable Pemko line edge sealing, perimeter gasketing and fire glazing products.

Barrier-Free Systems



The ASSA ABLOY Pemko line includes many products such as modular ramps, thresholds and floor treads, that help you meet the requirements of the Americans with Disabilities Act (ADA) as outlined in the Americans with Disabilities Act Accessibility Guidelines (ADAAG-2010 amended); ICC /ANSI A117.1-2017 Standard Accessible and Usable Buildings and Facilities; any of the various Uniform Building Codes; or state access codes (e.g. California Building Code, Title 24).

The following table shows which products comply with the ADAAG and ICC /ANSI standard and also notes their respective sections.

ICC / ANSI A117.1 (ADAAG)	Pemko Recommendation
302 (4.5) Floor or Ground Surfaces. 302.1 (4.5.1) General. "shall be slip resistant"  Skid resistant.	<p>"Slip resistant" PemKote™, non-skid surface</p> <ul style="list-style-type: none"> PemKote™ (finish code: "K") is a rugged abrasive finish of nickel-aluminum composite PemKote™ provides safety in environments used by youths and people with disabilities For more information, see the Modular Ramps section  PemKote™: skid resistant surface.
302.2 (4.5.3) Carpet. "Exposed edges of carpet... shall have trim along the entire length of the exposed edge. Trim shall comply with Section 303"	 Note: See Commercial Thresholds section (page 136) for more options.
303 (4.5) Changes in Level 303.2 (4.5.2) Vertical. "Changes in level of 1/4" (6mm) high maximum shall permitted to be vertical"	 Note: See Commercial Thresholds section (pages 134-135) for more options.
303.3 (4.5.2) Beveled. Changes in level greater than 1/4 inch (6.4 mm) in height and not more than 1/2 inch (13 mm) maximum in height shall be beveled with a slope not steeper than 1:2."	 Note: See Commercial Thresholds section (pages 106-129) for more options.
303.4 (4.5.2) Ramped. "Changes in level greater than 1/2" (13mm) shall be by a ramp complying with Section 405 (4.8)"	<ul style="list-style-type: none"> Assemblies accommodate 1/2" to 2 1/4" floor offsets in meeting the 1:12 slope requirements of the "Americans with Disabilities Act" Rubber ramp component assemblies meet the same requirements. Answer the needs of architects, specifiers, building owners, installers, and physically challenged people For use in schools, hospitals, stadiums, offices, restaurants, hotels, airports, and more For complete information, see the Modular Ramps section
404 (4.13) Doors, Doorways and Gates. 404.2.4 (4.13.8) Thresholds. "...shall be 1/2" high maximum...shall comply with Sections 302 and 303"	 Note: See Commercial Thresholds section (pages 106-129) for more options.
404.2.8 Door and Gate Opening Force - 5lbs. maximum	
405 (4.8) Ramps 405.2 (4.8.2) Slope. "Ramp runs shall have a running slope... not steeper than 1:12" (Note: Some exceptions apply to this with respect to existing buildings having space limitations. Consult Pemko for specific applications.)	 Note: See Modular Ramp section (pages 142-146) for more options.
504 (4.9) Stairways 504.4 Tread Surface 504.5 (4.9.3) Nosings	  Note: See Floor Treads section (pages 132-133) and Floor Molding, Trim section (page 284) for more options.

ASSA ABLOY
Opening Solutions

Experience a safer
and more open world

800-824-3018 | www.assaabloydooraccessories.us
Check the web site for the up-to-date catalog

Copyright © 2015-2021, ASSA ABLOY Accessories and Door Controls Group, Inc., an ASSA ABLOY Group company. All rights reserved. Reproduction in whole or in part without the express written permission of ASSA ABLOY Accessories and Door Controls Group, Inc. is prohibited.



The following interprets ANSI/BHMA numbers which identify material and type of products. For products that meet ANSI/BHMA Standards, look for the BHMA certified logo next to the product in our catalog. For a complete listing refer to the BHMA Certified Products Directory on line at www.buildershardware.com.

American National Standard for Thresholds ANSI/BHMA A156.21 (2019)

1 Product Section "J" Designates Architectural Door Trim, Thresholds				
2 Material	3 Configuration	4 Surface	5 Description	6 Description
1. Architectural Extruded Brass or Bronze 3. Aluminum 5. Stainless Steel 7. Rubber & similar nonmetallic 0. Other (ie: cast iron, safety abrasive, etc.)	1. Compressing top 2. Flat Saddle 3. Half Saddle 4. Interlocking 5. Rabbeted, Latching/Panic with Gasket 7. Plate 8. Ramped 9. Saddle for Floor Closer 0. None designated	1. Fluted 2. Fluted with abrasive 3. Smooth 4. Smooth with abrasive	1. Applied Stop 2. Applied Stop with gasket 3. Barrier Free 4. Carpet Separator 5. Ends Mitered 6. Expansion Assembly 7. Hook Strip Applied to door 8. Offset 9. Thermal Break 0. None Designated	1. Applied Stop 2. Applied Stop with gasket 3. Carpet Separator 5. Ends Mitered 6. Expansion Assembly 7. Hook Strip applied to door 8. Offset 9. Thermal Break 0. None Designated

Suffix "-HD" designates thresholds meeting Heavy Duty requirements

American National Standard for Door Gasketing and Edge Seal Systems ANSI/BHMA A156.22 (2017)

1 Product Section "R" Designated Gasketing					
2 Product Material	3 Gasketing Material	4 Product Type	5 Material Application	6 Gasketing Rating	
1. Brass or Bronze 3. Aluminum 5. Stainless Steel 0. Optional material or none used	A. Brush B. Neoprene, solid C. Neoprene, closed cell D. Vinyl/Eco-V™ E. Silicone Rubber F. Pile G. Thermoplastic Elastomer (TPE) H. Thermoplastic Urethane (TPU) J. Thermoplastic Rubber K. Spring Metal L. Magnetic M. Felt N. Rubber Fabric P. Intumescent Q. Intumescent/Brush	R. Intumescent/Neoprene, Solid S. Intumescent/Neoprene Closed Cell T. Intumescent/Vinyl U. Intumescent/Silicone Rubber V. Intumescent/Pile W. Intumescent/Thermoplastic (TPE) X. Intumescent/Thermoplastic Urethane (TPU) Y. Optional material or none used Z. Intumescent/Thermoplastic Rubber	1. Head and Jamb 2. Head and Jamb, Adjustable 3. Automatic Door Bottom 4. Door Sweep or Shoe 5. Door Sweep or Shoe with Drip Cap 6. Astragal Overlapping 7. Astragal Split or Compensating 8. Astragal Adjustable 9. Rain Drip without gasket 0. Other	1. Door Edge 2. Door Edge, Mortise 3. Door Face 4. Door Face, Semi-Mortise 5. Frame Rabbet (surface or mortise) 6. Frame Soffit (H.M.) Frame Stop (W.D.) 7. Frame Face 8. Kerf 9. Stop (H.M.), Stop Face (W.D.) 0. Other	0. Smoke/Energy Performance/Acoustic Rated 1. Smoke/Energy Performance Rated 2. Smoke/Acoustic Rated 3. Energy Performance/Acoustic Rated 4. Smoke Rated 5. Energy Performance Rated 6. Items not Rated 7. Acoustic Rated

American National Standard for Continuous Hinges ANSI/BHMA A156.26 (2017)

First letter denotes BHMA Product Section (A)					
First Numeral-Product Material	Second Numeral-Type of Product	Third Numeral-Electrical Modifications	Fourth Numeral-Door Weight (lbs)	Fifth Numeral-Grade Classification	Second Letter-Hinge Type
1. Brass, Bronze 3. Aluminum 5. Stainless Steel 8. Steel	1. Edge Mounted Hinges 2. Half Edge Mounted Hinges 3. Full Surface Hinges 4. Half Surface Hinges 5. Swing Clear 6. Raised Barrel 7. Wide Throw 0. Other	0. None 1. Concealed Wire Transfer 2. Monitor 3. Power Transfer 4. Other	1. 150 2. 300 3. 600 4. 1200	1. Grade 1 2. Grade 2 3. Grade 3	B. Barrel G. Geared

Markar Continuous Pin and Barrel Hinges

CONTENTS:

General Information.....	18
Hinge Finishes.....	20
Hinge Numbering System and Standard Lengths	21
Continuous Hinge Modifications.....	22
3500 Series Stainless Steel Pin and Barrel Security Hinges.....	25
600 Series Stainless Steel Pin and Barrel Hinges.....	29
300 Series Stainless Steel Pin and Barrel Hinges.....	30
300 Series Stainless Steel Edge Guards.....	52
200 Series Carbon Steel Pin and Barrel Hinges	55
100 Series Aluminum Pin and Barrel Continuous Hinges	60
1000 Series Aluminum Double Swing Hinge.....	66
900 Series Toilet Partition Hinges	67
400 Series Toilet Partition Hinges	69
Pivots	71
Flat Astragals	72
Fasteners and Fastener Packs	73
Tools, Parts, and Accessories	78
Custom Lengths	79

INDEX:

B1921	71	FM400.....	69	HG105	65
B1923	71	FM600.....	29	HG305	37
DSH1000	66	FM900.....	67	HG306	38
EG308	52	FM3500	25	HG310	40
EGC308	53	FS/SC309	39	HG311	41
EGT308	54	FS101	61	HG315	42
FA68.....	72	FS102	62	HG322	44
FA70.....	72	FS201	56	HG323	45
FA80	72	FS202	57	HG326	47
FM/SC325	46	FS301	33	HG329	49
FM100	60	FS302	34	HG3505	28
FM200	55	FS321	43	HM104	64
FM300	30	FS3501	26	HM204	59
FM300WT.....	31-32	FS3502	27	HM304	36
FM327	48	FS402	70	HS103	63
FM338.....	50	FS902	68	HS203	58
FM344.....	51	FS910	68	HS303	35

NOTE: Products shown in this section may not be drawn to scale



Markar Continuous Pin and Barrel Hinges

Markar has been a leader in innovative products for the hardware industry since 1969. In 1983, Markar was the first manufacturer to produce an architectural grade, adjustable continuous pin and barrel hinge line, and that innovation continues today with quality continuous hinges and edge guards.

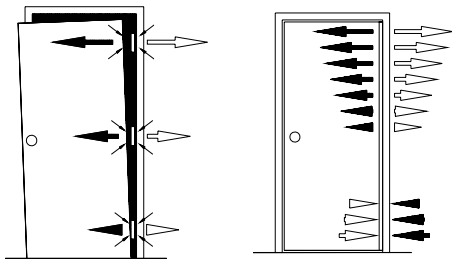
Markar leads the industry in development of fire rated continuous hinges with their flagship 300 Series Stainless Steel, 3500 Series institutional grade, and 200 Series cold rolled steel hinges. Building on customer feedback, Markar has developed over 75 standard continuous hinge models providing products for a wide variety of applications and challenges.

Custom Designs

Whether the need is for a custom color to match a specific palette, hospital tips for patient rooms, hardware cutouts, wide throw models, custom hole patterns, security fasteners, current transfers, monitoring switches, or medical bearings, Markar hinge modifications will enhance the fit and function of an opening. Markar hinges are available in a wide range of finishes including powder coat, anodized (for aluminum), and architectural finishes.

Medical Bearings are Standard

Medical Bearings are standard for all Pin and Barrel hinges. You benefit from this standard offering with permanently lubricated hinges with no metal to metal contact, improving the life and overall function of the hinge.



Most door and frame stress is put on the top of conventional hinge systems.

A continuous hinge spreads the stress along the full length of the door and frame.

Why Continuous Hinges?

Did you know that on a door with traditional butt hinges, 70% of the door weight is on the top hinge? The top hinge also bears the brunt of abuse when doors are opened beyond the stop device, resulting in kickback shock and eventual failure of the hinge and damage to the frame. This is why continuous hinges are recommended for heavy doors and for situations where doors are exposed to misuse.

Continuous hinges reduce the factors leading to hinge failure by distributing weight evenly so wear and tear to the frame and door is reduced significantly. In addition, continuous hinges:

- Increase security and reduce vandalism by preventing insertion of devices between the door and frame
- Ease installation by providing simple alignment of electrical transfers and of monitoring switches
- Reduces air infiltration by creating a complete seal from top to bottom of the door at the hinge jamb

Markar manufactures pin and barrel hinges as well as spring loaded toilet partition pin and barrel models. There are over 75 different models to choose from offering a variety of configurations, options, and materials.

ASSA ABLOY
Opening Solutions

Experience a safer
and more open world

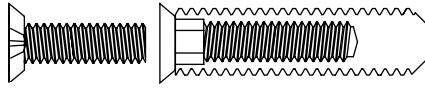
800-824-3018 | www.assaabloydooraccessories.us
Check the web site for the up-to-date catalog

Copyright © 2015-2021, ASSA ABLOY Accessories and Door Controls Group, Inc., an ASSA ABLOY Group company. All rights reserved. Reproduction in whole or in part without the express written permission of ASSA ABLOY Accessories and Door Controls Group, Inc. is prohibited.

Optional Features

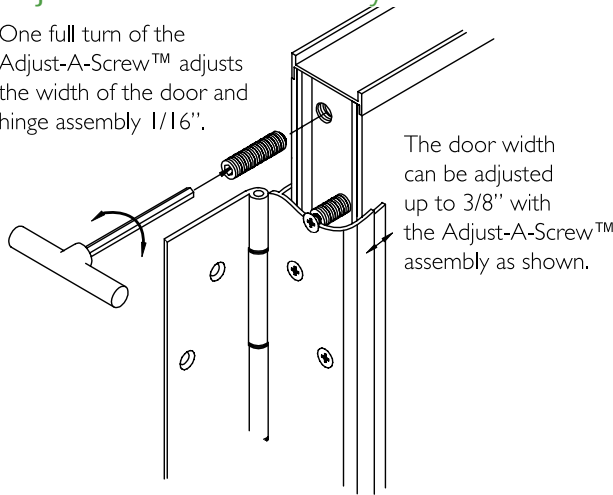
The Unique Adjust-A-Screw™ Fastener

An optional Markar fastener available on Hinge Guard models permits up to 3/8" width adjustment. Full door length adjustment means doors can be squared accurately and easily in new installations and existing frames can be used in retrofits. Maintenance staff can make future adjustments of the door by re-positioning the Adjust-A-Screw™ Fasteners.



Adjust-A-Screw™ Assembly

One full turn of the Adjust-A-Screw™ adjusts the width of the door and hinge assembly 1/16".

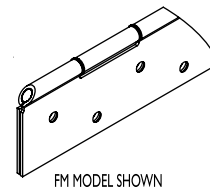
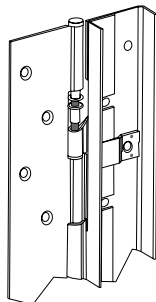


Recommended 14 gauge reinforcements on frame and door. If using an adjustable Hinge Guard with Adjust-A-Screw, use 14 gauge reinforcements on frame and 12 gauge reinforcements on door.

For more information, including technical memos, door clearance guides and templates visit <https://www.assaabloydooraccessories.us/en/>

Exclusive Fiber-Reinforced Polymer Bearings

- Uniquely designed to provide clean and quiet hinge operation
- Self lubricating with high resistance to wear
- Exceeds ANSI/BHMA Grade 1 requirements
- 25 year warranty



800-824-3018 | www.assaabloydooraccessories.us
Check the web site for the up-to-date catalog

Copyright © 2015-2021, ASSA ABLOY Accessories and Door Controls Group, Inc., an ASSA ABLOY Group company. All rights reserved. Reproduction in whole or in part without the express written permission of ASSA ABLOY Accessories and Door Controls Group, Inc. is prohibited.

Windstorm Rated Hinges

Windstorm/hurricane testing on Markar continuous hinges was completed with UL and has been reviewed and approved to meet the requirements of the Florida Building Code (FBC). These hinges have passed tests for the following: an Impact Test (TAS 201), Static Load/Cyclical Test (TAS 202), and a Water and Leakage Test (TAS 203). Markar excelled in all three categories of testing.

Based on this performance, the FBC approved most Markar hinges in the following series:

(Up to openings of 4'0 x 8'0 singles and 8'0 x 8'0 pairs)

- 100 – 6063-T6 Aluminum
- 200 – 14 ga. Cold Rolled Carbon Steel
- 300 – 14 ga. 304 Stainless Steel
- 600 – 14 ga. 316 Stainless Steel
- 3500 – 12 ga. 304 Stainless Steel (Security Grade)



Tornado



Hurricane



Fire Rated Continuous Hinges

Markar Stainless Steel hinges (300 Series and 3500 Series) and carbon steel hinges (200 Series) are available with two labeling options: Underwriters Laboratories Inc. or Warnock Hersey Int'l.

- 20 minute labeled wood doors
- One and a half hour labeled hollow metal and composite-core wood fire doors
- Three hour labeled hollow metal doors (with fire pins)

Maximum Door Opening:

Single Doors: 4'0" x 10'0"

Pair of Doors: 8'0" x 10'0"



In accordance with UL10C for positive pressure.

Behavioral Health Hinges

The Markar 300 Series Continuous Hinges with Hospital Tips are accepted by the New York State Office of Mental Health (OMH) for use in high risk areas.

ASSA ABLOY
Opening Solutions

Experience a safer
and more open world

Standard Powder Coat Finishes

Tough, Durable, Long-Lasting

Designed for general purpose interior and exterior use and applications where maximum chemical and solvent resistance is required.

Performance Properties

The data below is based on 24 gauge Bonderite 1000 panels with 1.5 mil to 2.0 mil of high gloss formulation.

Adhesion (ASTM D-3359B): There is no lifting of 1/8" squares of coating between scribed lines in crosshatch adhesion testing using pressure sensitive adhesive backed tape.

Pencil Hardness (ASTM D-3363): 2H – 4H

Flexibility (ASTM D-522 modified): The coating withstands a 180° bend over a 1/4" diameter mandrel without cracking or loss of adhesion.

Impact Resistance (ASTM D 2794 modified): The coating withstands 160 inch-pound impacts, both direct and reverse, without cracking or loss of adhesion using the standard Gardner impact tester.

Abrasion Resistance (ASTM D-4060 modified): The weight loss of coating after 1,000 cycles on a Taber abraser equipped with CS-10 wheels and operating under a 1 kilogram loading per wheel is on the order of 35 to 50 milligrams.

Salt Spray Resistance (ASTM B-117): Bonderite 1000 steel panels, in a scribed condition, exhibit no undercutting after 1,000 hours in 5% salt spray testing at 95°F and 95% relative humidity. There was no rusting or blistering on the panel face away from the scribe.

Humidity Resistance (ASTM D-2247): Bonderite 1000 steel panels in an unscribed condition exhibit no effect after 1000 hours exposure to 100% relative humidity at 100°F.

Chemical and Solvent Resistance: After 60 days immersion in the test fluid, the following data was obtained for epoxy powder coatings:

15% Hydraulic Acid	No Effect
Lacquer Thinner	No Effect
Dilute "HTH" Pool Chemical	No Effect
15% Sulfuric Acid	Pinhole Rust
15% Caustic Soda	#8 Blisters
Ammonia Hydroxide	#8 Blisters
Petrochloroethylene	No Effect
15% Acetic Acid	#4 Blisters
Gasoline	No Effect

Verification of resistance properties should be made for each chemical or solvent proposed for use with the coating.

Closest US Standard & BHMA Finishes

No minimum quantity.

PC-1	Dark Oxidized Satin Bronze	10BE
PC-2	White Suede	714
PC-3	Black Suede (BSP)	693
PC-4	Aluminum	689
PC-5	Sun Gold	706
PC-6	Light Copper	691
PC-7	Polished Brass	605

PC-7 available only on 100 & 300 series hinges

*NOTE: The PC-7 will have an additional charge for two-step polishing process.

Special Finishes

Polished Aluminum	US26	672
Polished Stainless	US32	629
Kynar Paint	With Color Approval	

*NOTE: Additional setup charges will apply.

Special Anodized Finishes

Gold Anodized	US3	310
Light Bronze Anodized	US9	311
Medium Bronze Anodized		312
Black Anodized	US19	315

Custom Powder Coat Finishes

All RAL Powder Coat finishes available. Sample color chip must accompany order. Priced at time of order.

U.S. Standard & B.H.M.A. Finish Codes

US3	310	gold anodized
US9	311	light bronze anodized
	312	medium bronze anodized
US20A	313	dark bronze anodized
US19	315	black anodized
USP	600	primed for paint
US2G	603	zinc plated
US28	628	clear anodized
US32	629	bright Stainless Steel
US32D	630	satin Stainless Steel
US26	672	bright polished aluminum
US28	689	aluminum paint
US20A	690	dark bronze paint
US10	691	light bronze paint
US19	693	black paint
US4	706	gold paint
	714	white paint

Hinge Numbering System

Hinge Prefixes

- EG Edge Guard
- FM Edge Mount
- FS Full Surface
- HG Hinge/Guard
- HM Half Mortise
- HS Half Surface
- SC Swing Clear

Hinge Series

This series number indicates the type of hinge and base material used:

- 100 Aluminum barrel hinges with stainless pin
- 200 Carbon steel barrel hinges with stainless pin
- 300 Stainless steel barrel hinges with stainless pin
- 400 Spring loaded aluminum toilet partition hinge
- 600 14 Gauge 316 stainless steel pin and barrel security hinges
- 900 Spring loaded stainless steel toilet partition hinges
- 1900 Reinforcing pivots
- 3500 12 Gauge stainless steel pin and barrel security hinges

Hinge Models

The last two digits of the model number indicate the application:

- 00 Edge mount (formerly full mortise)
- 01 Full surface, 1/8" offset
- 02 Full surface, flush
- 03 Half surface, 1/8" offset
- 04 Half mortise, 1/8" offset
- 05 Edge mount hinge/guard
- 06 Half mortise hinge/guard
- 07 Double hinge/guard
- 08 Edge guard
- 09 Full surface, swing clear
- 10 Swing clear hinge/guard
- 11 Edge mount, self aligning
- 15 Edge mount, self aligning flush edge guard
- 21 Full surface inset, 3/4" offset
- 22 Edge mount hinge/guard, deep
- 23 Edge mount hinge/guard, deep, thru bolt
- 25 Edge mount swing clear
- 26 Edge mount hinge/guard, swing clear
- 27 Edge mount, safety hinge
- 29 Edge mount, self aligning

Other numbers are used for specific applications

Optional Suffixes

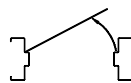
- AMS Adjustable Monitoring Switch
- CTP Current Transfer Preparation
- DDP Dutch Door Prep
- EL ElectroLynx® Wires (Specify 4, 8, or 12)
- ETAP Electrical Transfer Access Prep
- EPT Electric Power Transfer
- HT Hospital Tip
- LL Lead Lined
- PC Powder Coated
- RB Raised Barrel
- WT Wide Throw
- PoE Power over Ethernet

Hinge Standard Lengths

Standard Hinge Length Conversion Chart

A 6'8"	door opening	=	actual length	79 ³ / ₁₆ "
A 7'0"	door opening	=	actual length	83 ¹ / ₈ "
A 7'2"	door opening	=	actual length	85 ¹ / ₈ "
A 8'0"	door opening	=	actual length	95"
A 10'0"	door opening	=	actual length	118 ³ / ₄ "

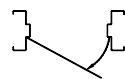
Custom hinge length will be evaluated at the time of request to ensure proper pin to knuckle alignment. Some custom length requests may be adjusted to ensure a proper hinge assembly. Specify handing on all custom hinge lengths.



LEFT HAND



RIGHT HAND



LEFT HAND
REVERSE



RIGHT HAND
REVERSE

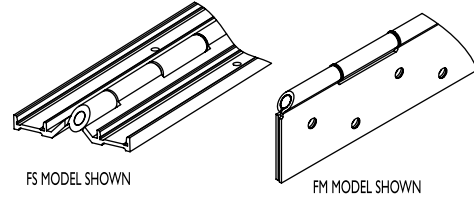
Continuous Hinge Modifications

Special Length

Please specify handing on all custom hinge lengths
Some custom lengths may require two cuts due to location of screw holes

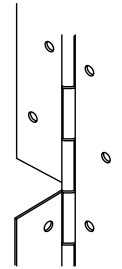
Hospital Tip

Available on all models except spring-loaded toilet partition hinges, FS321 and FM327
Suffix hinge "-HT"
Helps provide a safe, clean environment



Dutch Door Prep

Available on all hinge models
Suffix hinge "-DDP"
Continuous frame leaf with two-piece door leaf
Indicate handing, clearances, door and frame heights, and materials when ordering

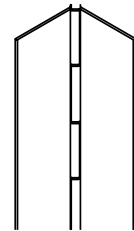


Wide Throw

Only available on 300 and 3500 series hinges
Markar Custom Hinge Information Form must be filled out
Reinforcement may be required on extreme wide throw applications
These conditions will be determined through a drawing approval process

Blank

Holes omitted for special applications, such as welded installation
Not available on adjustable models



Welded End Pins

End pins are tack-welded and are non-removeable
Not available on aluminum, powder coated hinges and 200 series hinges

Plug Weld

Plug welding hole prep

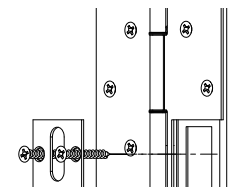
Automatic Door Bottom Cut

Standard "U" shape cut accepts most automatic door bottoms
Make and model are needed

Removable Auto Door Bottom Prep (RADBP)

Auto door bottom cut out with cover plate

- FMPLATE (FM300, HM304, FM/SC325)
- HGPLATE (HG306, HG311, HG315, HG329)
- HGADJPLATE (HG305, HG310, HG326) FM3500PLATE (FM3500)

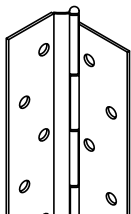


ASSA ABLOY
Opening Solutions

Experience a safer
and more open world

800-824-3018 | www.assaabloydooraccessories.us
Check the web site for the up-to-date catalog

Copyright © 2015-2021, ASSA ABLOY Accessories and Door Controls Group, Inc., an ASSA ABLOY Group company. All rights reserved. Reproduction in whole or in part without the express written permission of ASSA ABLOY Accessories and Door Controls Group, Inc. is prohibited.



Continuous Hinge Modifications (Cont.)

Raised Barrel (Swaged)

Available on all edge mount, half surface, and half mortise models except on aluminum hinges

Suffix hinge "-RB"

For cased open or center pivot doors



Standard Edge Guard Cut-Outs

The Edge Guard Order form must be filled out to properly locate the hardware cut-outs

4⁷/₈" ASA strike

161 latch

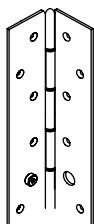
161 strike

86 mortise

Manual flush bolt

Automatic flush bolt

Fire bolt



Security Studs

Stainless Steel security studs mounted to the frame leaf

Door leaf is drilled to accommodate studs

Three studs installed on hinges up to 7'2"

Four studs installed on hinges over 7'2"

Door and frame must be specially prepared to accommodate security studs

Custom Design

The engineering department will assist you in developing custom applications to solve any of your unique door hinging problems. This includes Sheared Leaf or Custom Hole Pattern modifications.

Markar Custom Hinge Information Form must be filled out

Lead Lined (Standard 4 Lbs./SQ.FT.)

Used for X-ray room doors and other locations where radiation leakage could be a problem

Available on surface mounted hinges and Markar EGT308 edge guard

Continuous Hinge Modifications (Cont.)

EL ElectroLynx® Current Transfer

EL4 For 300, 3500, 200, and 100 series edge mount only. 2 wires at 22 gauge and 2 wires at 26 gauge - with ElectroLynx® connectors (4 wire)

EL8 For 300, 3500, 200, and 100 series edge mount only. 2 wires at 22 gauge and 6 wires at 26 gauge - with ElectroLynx® connectors (8 wire)

EL12 For 300, 3500, 200, and 100 series edge mount only. 2 wires at 22 gauge and 10 wires at 26 gauge - with ElectroLynx® connectors (12 wire)

*We recommend an Electrical Transfer Access Prep (ETAP) with all ElectroLynx® modifications

Replacement wire harness available (EL4-REPLKIT, EL8-REPLKIT & EL12-REPLKIT)

ElectroLynx®

As part of their promise to provide innovative, fast and effective high security solutions to their customers, certain ASSA ABLOY Group brands offer ElectroLynx®, a universal quick-connect system that simplifies the electrification of the door opening.

ElectroLynx® is a registered trademark of ASSA ABLOY Inc.

PoE (Power over Ethernet) ElectroLynx® Power and Data Transfer

PoE for most 3500, 600, 300, 200 and 100 series edge mount continuous hinges- with ElectroLynx® connectors (9 wire). Electrical Transfer Access Prep (ETAP) included.

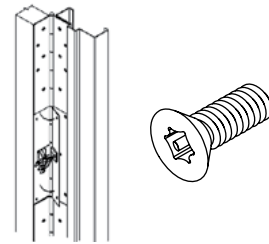
ETAP Electrical Transfer Access Prep

Cutout prep for the AMS and EL modifications. This allows for easy, one-person access to wiring between the hinge and door

Security Fasteners

Specify Torx or Torx-Pin security fasteners in lieu of standard fasteners

Contact factory for compatible models



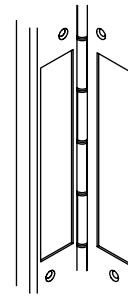
CTP Current Transfer Prep

Centerline of hinge is standard location

Hinge leaf cutout to accommodate Markar's EPT Electric Power Transfer or other manufacturers' power transfer units

Please provide center line location (from top of hinge) and handing for all prep locations, see CTP Form on Page 79

Order form required, available online.



EPT Electric Power Transfer Units

EL-EPT Stamped steel, for up to 105° opening

EL-EPTL Stamped steel, long for 180° opening

EL-EPT-SC Stamped steel, for swing clear hinges

EL-CEPTx32D Cast Stainless Steel, satin

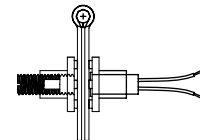
EL-CEPTx10B Cast Stainless Steel, oil rubbed bronze

12-Wire with ElectroLynx® connectors standard on all power transfer units

CTP prep is additional charge

Note: Ordering EPT unit does not constitute CTP prep on hinge

Order form required, available online.



AMS Adjustable Monitoring Switch

Rigid welded assembly gives you the ability to adjust your monitoring switch to work with all applications 300 and 3500 Series

Rating: 30v AC/DC .25 amps MAX

We recommend an Electrical Transfer Access Prep (ETAP) with this modification.

ASSA ABLOY
Opening Solutions

Experience a safer
and more open world

800-824-3018 | www.assaabloydooraccessories.us

Check the web site for the up-to-date catalog

Copyright © 2015-2021, ASSA ABLOY Accessories and Door Controls Group, Inc., an ASSA ABLOY Group company. All rights reserved. Reproduction in whole or in part without the express written permission of ASSA ABLOY Accessories and Door Controls Group, Inc. is prohibited.

Markar 3500 Series Stainless Steel Pin & Barrel Continuous Hinges

Short Form Architectural Specification:

Continuous hinges shall be full height piano-type hinge providing full height door support.

- Supports weights up to 900 lbs. 4'0" maximum door width
- Material to be 12 gauge (.105) Stainless Steel
- .187" diameter Stainless Steel pin (rod)
- Each knuckle 2", including nylon bearing at each separation for a quiet, smooth, self-lubricating operation
- Finish: US32D Satin Stainless Steel (630)
Optional Finish: US32 Bright Stainless Steel (629), Scratch-Resistant Powder Coated Paint.
- All hinges shall be furnished with manufacturer's recommended hardware pack per specific model application
- Must be able to carry UL label for fire rated doors and frames up to 3 hours
- Hinges shall meet ANSI/BHMA Standard A 156.26 Grade 1
- Symmetrically templated hole pattern

Note: 25-Year Warranty on Continuous Pin & Barrel Hinges

Note: Fire label for doors and frames should be placed on the header and top rail of fire rated doors and frames

Markar FM3500 Edge Mount Security Hinge

Standard Features

Barrel Type Hinge

.187" diameter Stainless Steel pin (rod)
Medical bearings
Stainless Steel end pins

Material

Heavy-duty 12 gauge (.105")
Stainless Steel

Finishes

US32D Satin Stainless Steel (630)

Hospital Tip

Standard

Standards

ANSI/BHMA Standard A156.26 Grade 1

Hole Pattern

Symmetrically templated

Mounting Hardware

Fasteners concealed when door is closed

Custom 12-24 x 7/16" S.S Phillips Flat Head Undercut Machine Screw

Capacity

Supports weights up to 900lbs. 4'0" maximum door width

Standard Sizes

6'8", 7'0", 7'2", 8'0", 10'0"

Handing

Handing not required on standard hinges. Specify handing when ordering a hinge with modification

Fire Rating

3 hours- hollow metal doors
90 minutes- hollow metal and composite
20 minutes- wood doors



Classified in accordance with UL10C for positive pressure



Fire-rated label

Windstorm

Evaluated in accordance with TAS 201-14, TAS 202-14, TAS 203-14, ASTM E330, ASTM E1886, ASTM E1996 and ANSI A250.13.

Optional Features

Finish

US32 Bright Stainless Steel (629)
Scratch-Resistant Powder Coated Paint

Hole Patterns

Plug weld hole pattern
Custom hole pattern

Fasteners

Tamper-proof security screws

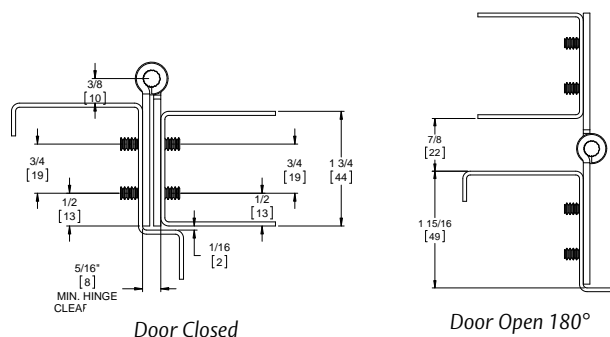
Other Features

Custom lengths - specify in inches
Dutch door hinges - suffix "DDP"
Raised barrel - suffix "RB"
Welded End Pins
Security studs

Electrical Modifications

Adjustable Monitoring Switch - suffix "AMS"
Current Transfer Prep - suffix "CTP"
Electrical Transfer Access Prep - "ETAP"
ElectroLynx®
EL4 (4 wire), EL8 (8 wire), EL12 (12 wire)
PoE (9 wire)

This edge mount pin and barrel type hinge is fabricated with extra-heavy duty components for use on high traffic, high abuse doors. The hinge is specially designed and well suited for correctional facilities and other high security locations using up to 2 1/4" thick swing-type doors. Prison doors, gates, extremely tall doors and extra heavy doors are all good candidates for Markar's 3500 Security Hinge.



800-824-3018 | www.assaabloydooraccessories.us

Check the web site for the up-to-date catalog

Copyright © 2015-2021, ASSA ABLOY Accessories and Door Controls Group, Inc., an ASSA ABLOY Group company. All rights reserved. Reproduction in whole or in part without the express written permission of ASSA ABLOY Accessories and Door Controls Group, Inc. is prohibited.

ASSA ABLOY
Opening Solutions



Experience a safer
and more open world

Markar FS3501 1/8" Inset Full Surface Security Hinge

Standard Features

Barrel Type Hinge
 .187" diameter Stainless Steel pin (rod)
 Medical bearings
 Stainless Steel end pins
Material
 Heavy-duty 12 gauge (.105")
 Stainless Steel
Finishes
 US32D Satin Stainless Steel (630)
 Hospital Tip Standard

Standards
 ANSI/BHMA Standard A156.26
 Grade 1
Mounting Hardware
 Custom 12-24 x 7/16" S.S Phillips
 Flat Head Undercut Machine
 Screw
Capacity
 Supports weights up to 900lbs.
 4'0" maximum door width
Standard Sizes
 6'8", 7'0", 7'2", 8'0", 10'0"

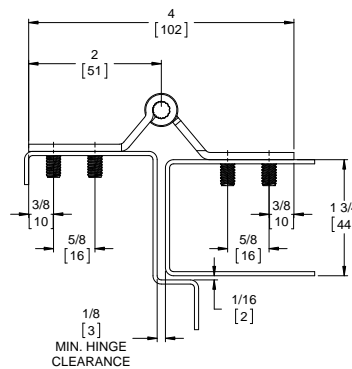
Hole Pattern
 Symmetrically templated
Handing
 Specify handing
Fire Rating
 3 hours- hollow metal doors
 90 minutes- hollow metal and composite
 20 minutes- wood doors
 Classified in accordance with UL10C
 for positive pressure
 Fire-rated label

Optional Features

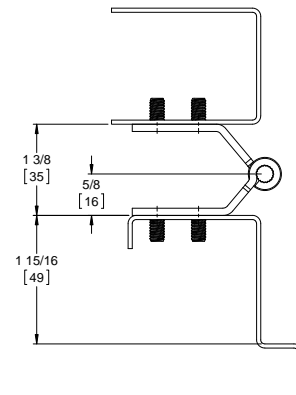
Finish
 US32 Bright Stainless Steel (629)
 Scratch-Resistant Powder Coated Paint
Hole Patterns
 Plug weld hole pattern
 Custom hole pattern

Fasteners
 Tamper-proof security screws
Other Features
 Custom lengths – specify in inches
 Dutch door hinges – suffix "DDP"
 Welded End Pins

For 1/8" inset doors. This hinge allows for perfect alignment for the retrofitting of doors in correctional facilities and other high security locations using 2" thick swing-type doors. Prison doors, gates, extremely tall doors and extra heavy doors are all good candidates for Markar's 3501 Security Hinge.



Door Closed



Door Open 180°

ASSA ABLOY
 Opening Solutions

Experience a safer
 and more open world

800-824-3018 | www.assaabloydooraccessories.us
 Check the web site for the up-to-date catalog



Copyright © 2015-2021, ASSA ABLOY Accessories and Door Controls Group, Inc., an ASSA ABLOY Group company. All rights reserved. Reproduction in whole or in part without the express written permission of ASSA ABLOY Accessories and Door Controls Group, Inc. is prohibited.

Markar FS3502 Flush Full Surface Security Hinge

Standard Features

Barrel Type Hinge
 .187" diameter Stainless Steel pin (rod)
 Stainless Steel end pins
 Medical bearings
Material
 Heavy-duty 12 gauge (.105")
 Stainless Steel
Finishes
 US32D Satin Stainless Steel (630)
 Hospital Tip Standard
Standards
 ANSI/BHMA Standard A156.26 Grade 1

Mounting Hardware
 Custom 12-24 x ⁷/₁₆" S.S Phillips Flat
 Head Undercut Machine Screw
Capacity
 Supports weights up to 900lbs.
 4'0" maximum door width
Standard Sizes
 6'8", 7'0", 7'2", 8'0", 10'0"
Hole Pattern
 Symmetrically templated
Handing
 Handing not required on standard
 hinges Specify handing when
 ordering a hinge with modification

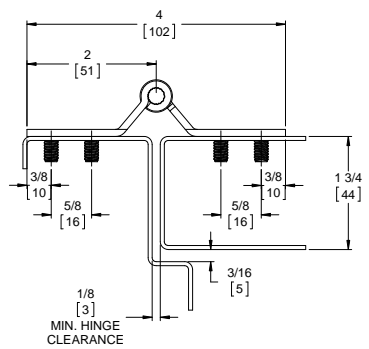
Fire Rating
 3 hours- hollow metal doors 90
 minutes- hollow metal and composite
 20 minutes- wood doors
 Classified in accordance with
 UL10C for positive pressure
 Fire-rated label

Optional Features

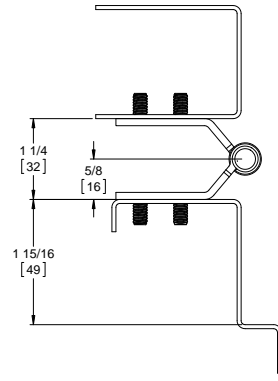
Finish
 US32 Bright Stainless Steel (629)
 Scratch-Resistant Powder Coated Paint
Hole Patterns
 Plug weld hole pattern
 Custom hole pattern

Fasteners
 Tamper-proof security screws
Other Features
 Custom lengths - specify in inches
 Dutch door hinges - suffix "DDP"
 Welded End Pins

This surface-mounted pin and barrel type hinge is fabricated with extra-heavy duty components and designed for solving door sag problems on high traffic, high abuse doors. This hinge is well suited for correctional facilities and other high security locations using 2" thick swing-type doors. Prison doors, gates extremely tall doors and extra heavy doors are all good candidates for Markar's 3502 Security Hinge.



Door Closed




Door Open 180°

Markar HG3505 Adjustable Hinge Guard

Standard Features

Barrel Type Hinge
 .187" diameter Stainless Steel pin (rod)
 Medical bearings
 Stainless Steel end pins
 Material
 Heavy-duty 12-gauge (.105") Stainless
 Steel hinge leaves
 14 gauge Stainless Steel angle on door leaf
 Finishes
 US32D Satin Stainless Steel (630)
 Hospital Tip Standard

Standards
 ANSI/BHMA Standard A156.26
 Grade 1
 Mounting Hardware
 Custom 12-24 x 7/16" S.S Phillips
 Flat Head Undercut Machine
 Screw
 Capacity
 Supports weights up to 900lbs.
 4'0" maximum door width
 Standard Sizes
 6'8", 7'0", 7'2", 8'0", 10'0"

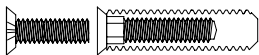
Hole Pattern
 Symmetrically templated
 Handing
 Specify handing
 Fire Rating
 3 hours- hollow metal doors
 90 minutes- hollow metal and
 composite 20 minutes- wood doors
 Classified in accordance with UL10C for
 positive pressure
 Fire-rated label

Optional Features

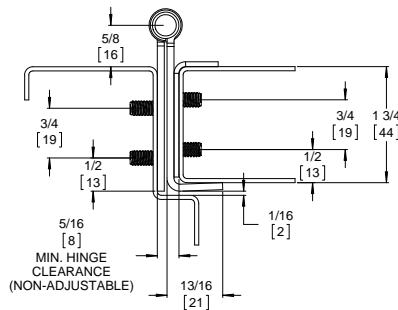
Finish
 US32 Bright Stainless Steel (629)
 Scratch-Resistant Powder Coated Paint
 Mounting Hardware
 Tamper-proof security screws
 Adjust-A-Screw™ for correcting alignment
 problems up to 3/8"

Other Features
 Custom lengths – specify in
 inches
 Custom hole pattern
 Dutch door hinges – suffix "DDP"
 Raised barrel - suffix "RB"
 Welded end pins
 Security studs

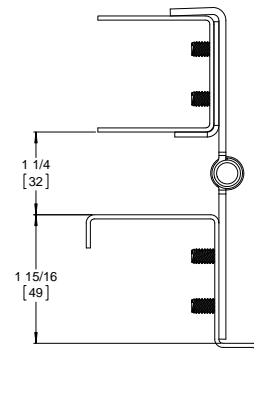
Electrical Modifications
 Adjustable Monitoring Switch - suffix "AMS"
 Current Transfer Prep - suffix "CTP"
 Electronic Transfer Access Prep - suffix "ETAP"
 ElectroLynx®
 EL4 (4 wire), EL8 (8 wire), EL12 (12 wire)
 PoE (9 wire)



The integral hinge guard protects the door from dings and gouges from carts and gurneys while providing clean lines and aesthetic appearance. Our HG products also have fire ratings up to and including 3 hours.



Door Closed



Door Open 180°

ASSA ABLOY
 Opening Solutions

Experience a safer
 and more open world

800-824-3018 | www.assaabloydooraccessories.us
 Check the web site for the up-to-date catalog

Copyright © 2015-2021, ASSA ABLOY Accessories and Door Controls Group, Inc., an ASSA ABLOY Group company. All rights reserved. Reproduction in whole or in part without the express written permission of ASSA ABLOY Accessories and Door Controls Group, Inc. is prohibited.

Markar 600 Series Stainless Steel Pin & Barrel Continuous Hinges

Short Form Architectural Specification:

Continuous hinges shall be full height piano-type hinge providing full height door support.



- Supports weights up to 600 lbs. 4' 0" maximum door width
 - Material to be 14 gauge 316 Stainless Steel
 - .187" diameter Stainless Steel pin (rod)
 - Exterior barrel diameter .438" ($7/16$ ")
 - Each knuckle 2", including nylon bearing at each separation for a quiet, smooth, self-lubricating operation
 - Finish: US32D Satin Stainless Steel (630)
Optional Finish: US32 Bright Stainless Steel (629), Scratch-Resistant Powder Coated Paint.
 - All hinges shall be furnished with manufacturer's recommended hardware pack per specific model application
 - Must be able to carry Warnock Hersey Int. or UL for fire rated doors and frames up to 3 hours
 - Hinges shall meet ANSI/BHMA Standard A 156.26 Grade 1
 - Symmetrically templated hole pattern
- NOTE: 25-Year Warranty on Continuous Pin & Barrel Hinges
NOTE: Fire label for doors and frames should be placed on the header and top rail of fire rated doors and frames

Markar FM600 316 SS Edge Mount Hinge

Standard Features

Barrel Type Hinge
.187" diameter Stainless Steel pin (rod)
Medical bearings
Stainless Steel end pins
Material
Heavy duty 14 gauge 316 stainless steel
Finishes
US32D Satin Stainless Steel (630)
Standards
ANSI/BHMA Standard A156.26 Grade 1
Hole Pattern
Symmetrically templated

Mounting Hardware
Fasteners concealed when door is closed
Custom 12-24 x $11/16$ " S.S Phillips Flat Head Undercut TEK Screws
Capacity
Supports weights up to 600 lbs. 4'0" maximum door width
Standard Sizes
6'8", 7'0", 7'2", 8'0", 10'0"
Handing
Handing not required on standard hinges. Specify handing when ordering a hinge with modification.

Rating
3 hours- hollow metal doors
90 minutes- hollow metal and composite core wood fire doors
20 minutes- wood doors
 Classified in accordance with UL10C for positive pressure
 Fire-rated label
Windstorm
Evaluated in accordance with TAS 201-14, TAS 202-14, TAS 203-14, ASTM E330, ASTM E1886, ASTM E1996 and ANSI A250.13

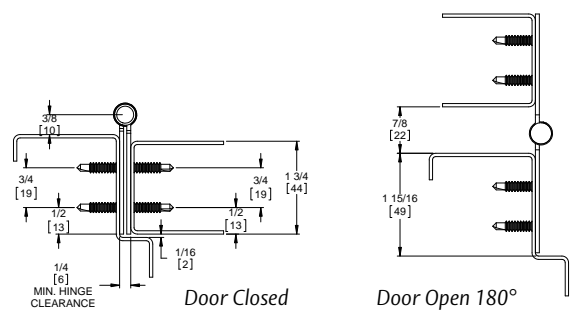
Optional Features

Finishes
Scratch-Resistant Powder Coated Paint
Fasteners
Tamper-proof security screws
Other Features
Custom lengths- specify in inches
Custom hole pattern

Dutch door hinges- suffix "DDP"
Hospital tips - suffix "HT"
Raised barrel - suffix "RB"
Welded end pins
Security studs.
Electrical Modifications
Adjustable Monitoring Switch - "AMS"

Current Transfer Prep - suffix "CTP"
Electrical Transfer Access Prep - suffix "ETAP"
ElectroLynx®
EL4 (4 wire), EL8 (8 wire), EL12 (12 wire)
PoE (9 wire)

This superior corrosion resistant edge mounted pin & barrel hinge is used in high chloride, sodium and sulfurous acid environments. This hinge works well in marine type environments.



800-824-3018 | www.assaabloydooraccessories.us
Check the web site for the up-to-date catalog

ASSA ABLOY
Opening Solutions

Copyright © 2015-2021, ASSA ABLOY Accessories and Door Controls Group, Inc., an ASSA ABLOY Group company. All rights reserved. Reproduction in whole or in part without the express written permission of ASSA ABLOY Accessories and Door Controls Group, Inc. is prohibited.

Experience a safer and more open world

Markar 300 Series Stainless Steel Pin & Barrel Continuous Hinges

Short Form Architectural Specification:

Continuous hinges shall be full height piano-type hinge providing full height door support.

- Supports weights up to 600 lbs. 4' 0" maximum door width
- Material to be 14 gauge Stainless Steel
- .187" diameter Stainless Steel pin (rod)
- Exterior barrel diameter .438" ($7/16$ "
- Each knuckle 2", including nylon bearing at each separation for a quiet, smooth, self-lubricating operation
- Finish: US32D Satin Stainless Steel (630)
Optional Finish: US32 Bright Stainless Steel (629), Scratch-Resistant Powder Coated Paint.
- All hinges shall be furnished with manufacturer's recommended hardware pack per specific model application
- Must be able to carry Warnock Hersey Int. or UL for fire rated doors and frames up to 3 hours
- Hinges shall meet ANSI/BHMA Standard A 156.26 Grade 1
- Symmetrically templated hole pattern

NOTE: 25-Year Warranty on Continuous Pin & Barrel Hinges



NOTE: Fire label for doors and frames should be placed on the header and top rail of fire rated doors and frames

Markar FM300 Edge Mount Hinge

Standard Features

Barrel Type Hinge
.187" diameter Stainless Steel pin (rod)
Medical bearings
Stainless Steel end pins
Material
Heavy-duty 14 gauge Stainless Steel
Finishes
US32D Satin Stainless Steel (630)
Standards
ANSI/BHMA Standard A156.26 Grade 1
Hole Pattern
Symmetrically templated

Mounting Hardware
Fasteners concealed when door is closed
Custom 12-24 x $1\frac{1}{16}$ " S.S Phillips Flat Head Undercut TEK Screws
Capacity
Supports weights up to 600 lbs. 4'0" maximum door width
Standard Sizes
6'8", 7'0", 7'2", 8'0", 10'0"
Handing
Handing not required on standard hinges. Specify handing when ordering a hinge with modification.

Rating
3 hours- hollow metal doors
90 minutes- hollow metal and composite core wood fire doors
20 minutes- wood doors
 Classified in accordance with UL10C for positive pressure
 Fire-rated label
Windstorm
Evaluated in accordance with TAS 201-94, TAS 202-94, TAS 203-94, ASTM E330, ASTM E1886, ASTM E1996 and ANSI A250.13

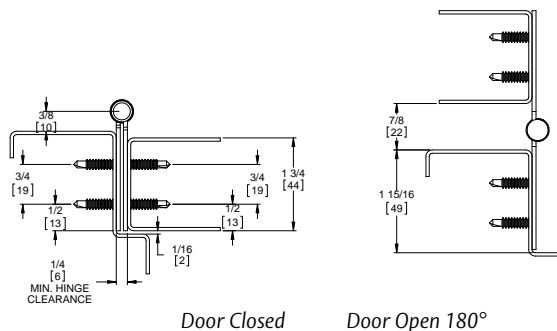
Optional Features

Finishes
Scratch-Resistant Powder Coated Paint
Fasteners
Tamper-proof security screws
Other Features
Custom lengths- specify in inches
Custom hole pattern

Dutch door hinges- suffix "DDP"
Hospital tips - suffix "HT"
Raised barrel - suffix "RB"
Welded end pins
Security studs.
Electrical Modifications
Adjustable Monitoring Switch - "AMS"

Current Transfer Prep - suffix "CTP"
Electrical Transfer Access Prep - suffix "ETAP"
ElectroLynx®
EL4 (4 wire), EL8 (8 wire), EL12 (12 wire)
PoE (9 wire)

This edge-mounted pin & barrel hinge is used on many of today's high traffic, high abuse doors. The hinge works well in locations that would normally call out for anchor hinges, pivot reinforcement hinges or thrust pivot unit and hinge sets. This hinge saves on special door and frame preparation charges and makes the installer's job easier. It can be used on both fire labeled and non-labeled openings.



ASSA ABLOY
Opening Solutions

Experience a safer
and more open world

800-824-3018 | www.assaabloydooraccessories.us
Check the web site for the up-to-date catalog

Copyright © 2015-2021, ASSA ABLOY Accessories and Door Controls Group, Inc., an ASSA ABLOY Group company. All rights reserved. Reproduction in whole or in part without the express written permission of ASSA ABLOY Accessories and Door Controls Group, Inc. is prohibited.



Markar FM300WT Wide Throw Edge Mount Hinges

Standard Features

Barrel Type Hinge
 .187" diameter Stainless Steel pin (rod)
 Medical bearings
 Stainless Steel end pins
 Material
 Heavy-duty 14 gauge Stainless Steel
 Heavy-duty 12 gauge support angles, where applicable
 Finishes
 US32D Satin Stainless Steel (630)
 Standards
 ANSI/BHMA Standard A156.26 Grade 1

Mounting Hardware
 Custom 12-24 x 11/16" S.S Phillips Flat Head Undercut TEK Screws
 Capacity
 Weight: Consult factory
 4'0" maximum door width
 Standard Sizes
 6'8", 7'0", 7'2", 8'0", 10'0"
 Hole Pattern
 Symmetrically templated

Handing
 Handing not required on standard hinges. Specify handing when ordering a hinge with modification
 Fire Rating
 3 hours- hollow metal doors
 90 minutes- hollow metal and composite core wood fire doors
 20 minutes- wood doors

 Classified in accordance with UL10C for positive pressure
 Fire-rated label

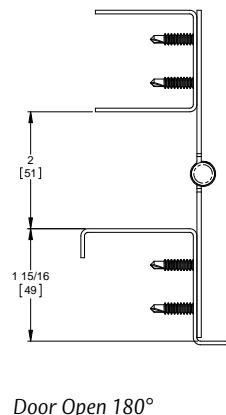
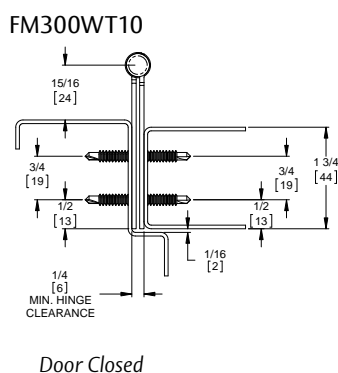
Optional Features

Finishes
 Scratch-Resistant Powder Coated Paint
 Fasteners
 Tamper-proof security screws

Other Features
 Custom lengths- specify in inches
 Custom hole pattern
 Dutch door hinges- suffix "DDP"
 Hospital tips - suffix "HT"
 Welded end pins
 Security studs

Electrical Modifications
 Adjustable Monitoring Switch - suffix "AMS"
 Current Transfer Prep - suffix "CTP"
 Electrical Transfer Access Prep - suffix "ETAP"
 ElectroLynx®
 EL4 (4 wire), EL8 (8 wire), EL12 (12 wire)

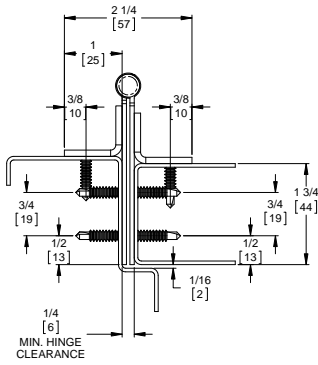
This edge-mounted pin & barrel hinge is used on many of today's high traffic, high abuse doors. The hinge works well in locations that would normally call out for anchor hinges, pivot reinforcement hinges or thrust pivot unit and hinge sets. This hinge saves on special door and frame preparation charges and makes the installer's job easier. It can be used on both fire labeled and non-labeled openings.



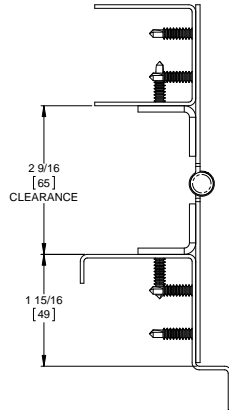
More profiles on next page

Markar FM300WT Wide Throw Edge Mount Hinges (cont)

FM300WT20

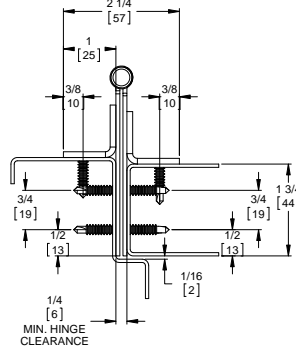


Door Closed

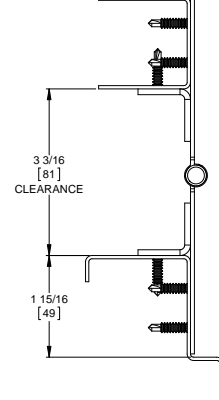


Door Open 180°

FM300WT30

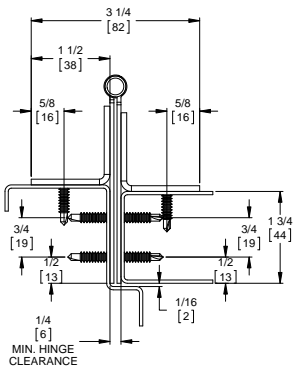


Door Closed

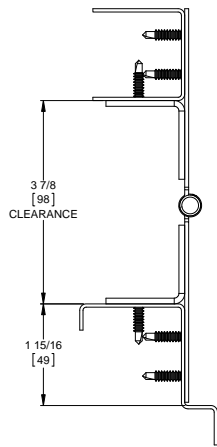


Door Open 180°

FM300WT40

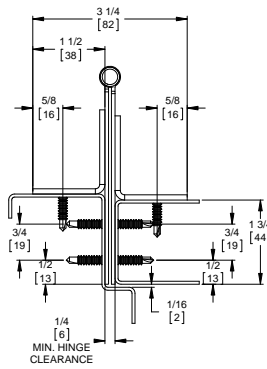


Door Closed

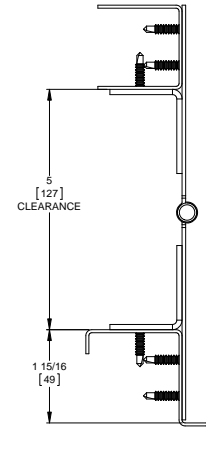


Door Open 180°

FM300WT50



Door Closed



Door Open 180°

ASSA ABLOY
Opening Solutions

Experience a safer
and more open world

800-824-3018 | www.assaabloydooraccessories.us
Check the web site for the up-to-date catalog

Copyright © 2015-2021, ASSA ABLOY Accessories and Door Controls Group, Inc., an ASSA ABLOY Group company. All rights reserved.
Reproduction in whole or in part without the express written permission of ASSA ABLOY Accessories and Door Controls Group, Inc. is prohibited.

Markar FS301 1/8" Inset Full Surface Hinge

Standard Features

Barrel Type Hinge
 .187" diameter Stainless Steel pin (rod)
 Medical bearings
 Stainless Steel end pins
Material
 Heavy-duty 14 gauge Stainless Steel
 Cover - extruded aluminum
Finishes
 US32D Satin Stainless Steel (630)
 Cover - brushed aluminum
Standards
 ANSI/BHMA Standard A156.26 Grade 1

Mounting Hardware
 Fasteners concealed underneath aluminum cover
 1/4"-14 x 3/4" Security TORX TEK Screws
Capacity
 Supports weights up to 600 lbs.
 4'0" maximum door width
Standard Sizes
 6'8", 7'0", 7'2", 8'0", 10'0"
Handing
 Not required for standard 7'0", 8'0" or 10'0". Handing required for 6'8" and 7'2" and for most optional features listed

Fire Rating
 3 hours- hollow metal doors
 90 minutes- hollow metal and composite core wood fire doors
 20 minutes- wood doors



Classified in accordance with UL10C for positive pressure



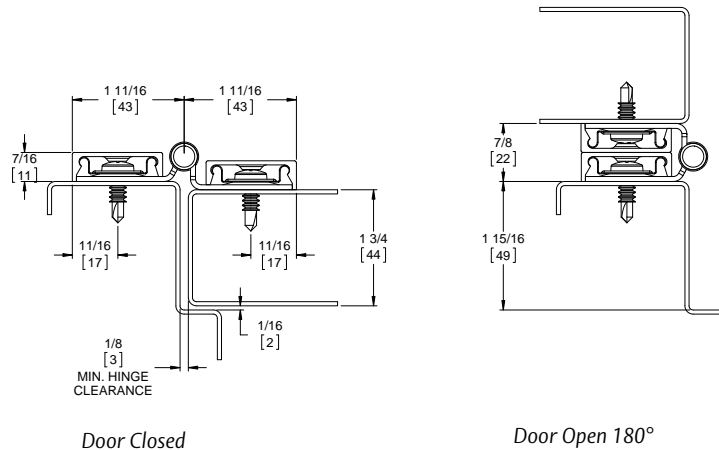
Fire-rated label

Optional Features

Finishes
 US32 Bright Stainless Steel (629)
 Scratch-Resistant Powder Coated Paint
Fasteners
 1 5/8" S.S. sleeve bolts
 Tamper-proof security screws

Other Features
 Custom lengths- specify in inches
 Custom hole pattern
 Dutch door hinges - suffix "DDP"
 Hospital tips - suffix "HT"
 Lead lined covers with 4 lbs. lead lining - suffix "LL"
 Welded end pins

This surface-mounted pin & barrel continuous hinge can be used to repair or replace existing hinges on both fire labeled and non-labeled doors that have very tight clearances. The hinge has a built-in 1/8" offset to assist in weather seal and sound barrier areas.





Markar FS302 Full Surface Flush Mount

Standard Features

Barrel Type Hinge
 .187" diameter Stainless Steel pin (rod)
 Medical bearings
 Stainless Steel end pins
Material
 Heavy-duty 14 gauge Stainless Steel
 Cover - extruded aluminum
Finishes
 US32D Satin Stainless Steel (630)
 Cover - brushed aluminum
Standards
 ANSI/BHMA Standard A156.26 Grade 1

Mounting Hardware
 Fasteners concealed underneath aluminum cover
 1/4" - 14 x 3/4" Security TORX
 TEK Screws Capacity
 Supports weights up to 600 lbs.
 4'0" maximum door width
Standard Sizes
 6'8", 7'0", 7'2", 8'0", 10'0"
Hole Pattern
 Symmetrically templated
Handing
 Handing not required on standard hinges. Specify handing when ordering a hinge with modification

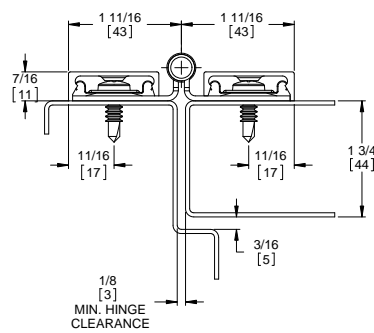
Fire Rating
 3 hours- hollow metal doors
 90 minutes- hollow metal and composite core wood fire doors
 20 minutes- wood doors
 Classified in accordance with UL10C for positive pressure
 Fire-rated label

Optional Features

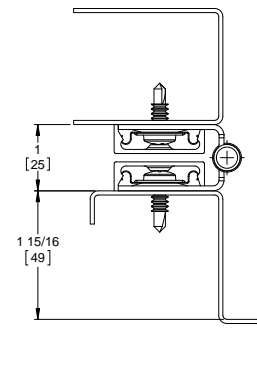
Finishes
 US32 Bright Stainless Steel (629)
 Scratch-Resistant Powder Coated Paint
Fasteners
 1 5/8" S.S. sleeve bolts
 Tamper-proof security screws

Other Features
 Custom lengths- specify in inches
 Custom hole pattern
 Dutch door hinges - suffix "DDP"
 Hospital tips - suffix "HT"
 Lead lined covers with 4 lbs. lead lining - suffix "LL"
 Welded end pins

This surface-mounted pin & barrel continuous hinge can be used to replace and repair existing hinges on both fire labeled and non-labeled doors. Designed for retrofit market.



Door Closed



Door Open 180°

ASSA ABLOY
 Opening Solutions

Experience a safer
 and more open world

800-824-3018 | www.assaabloydooraccessories.us
 Check the web site for the up-to-date catalog



Copyright © 2015-2021, ASSA ABLOY Accessories and Door Controls Group, Inc., an ASSA ABLOY Group company. All rights reserved. Reproduction in whole or in part without the express written permission of ASSA ABLOY Accessories and Door Controls Group, Inc. is prohibited.

Markar HS303 Half Surface Hinge

Standard Features

Barrel Type Hinge
 .187" diameter Stainless Steel pin (rod)
 Medical bearings
 Stainless Steel end pins
Material
 Heavy-duty 14 gauge Stainless Steel
 Cover - extruded aluminum
Finishes
 US32D Satin Stainless Steel (630)
 Cover - brushed aluminum
Standards
 ANSI/BHMA Standard A156.26 Grade 1

Mounting Hardware
 Fasteners concealed when door is closed
 Custom 12-24 x 11/16" S.S Phillips Flat Head Undercut TEK Screws & 1/4"-14 x 3/4" Security TORX TEK Screws
Capacity
 Supports weights up to 600 lbs.
 4'0" maximum door width
Sizes
 6'8", 7'0", 7'2", 8'0", 10'0"
Hole Pattern
 Symmetrically templated

Handing
 Not required for standard 7'0", 8'0" or 10'0". Handing required for 6'8" and 7'0" and for most optional features listed
Fire Rating
 3 hours- hollow metal doors
 90 minutes- hollow metal and composite
 20 minutes- wood doors
 Classified in accordance with UL10C for positive pressure
 Fire-rated label

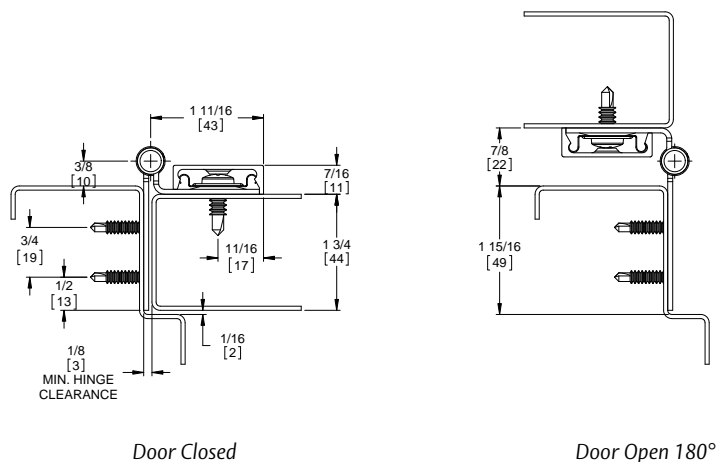
Optional Features

Finish
 US32 Bright Stainless Steel (629)
 Scratch-Resistant Powder Coated Paint
Fasteners
 1 5/8" S.S. sleeve bolts
 Tamper-proof security screws

Other Features
 Custom lengths - specify in inches
 Custom hole pattern
 Dutch door hinges - suffix "DDP"
 Hospital tips - suffix "HT"
 Raised barrel - suffix "RB"
 Welded end pins
 Lead lined cover with 4 lbs. lead lining - suffix "LL"

Electrical Modifications
 Current Transfer Prep (frame leaf only) - suffix "CTP"

This half-surface pin & barrel continuous hinge can be used to repair or replace existing hinges on both fire labeled openings. The hinge fits into the gap left after standard butt hinges are removed. It can assist in reversing the handing of a door, or to reverse the swing of a door hung in an evenly-rabbetted frame. (Please consult factory for instructions for unevenly-rabbetted frames.)



Markar HM304 Half Mortise Hinge

Standard Features

Barrel Type Hinge
 .187" diameter Stainless Steel pin (rod)
 Medical bearings
 Stainless Steel end pins
Material
 Heavy-duty 14 gauge Stainless Steel
 Cover - extruded aluminum
Finishes
 US32D Satin Stainless Steel (630)
 Cover - brushed aluminum
Standards
 ANSI/BHMA Standard A156.26 Grade 1

Mounting Hardware
 Fasteners concealed when door is closed
 Custom 12-24 x 11/16" S.S Phillips Flat Head Undercut TEK Screws & 1/4"-14 x 3/4" Security TORX TEK Screws
Capacity
 Supports weights up to 600 lbs.
 4'0" maximum door width
Standard Sizes
 6'8", 7'0", 7'2", 8'0", 10'0"
Hole Pattern
 Symmetrically templated

Handing
 Not required for standard 7'0", 8'0" or 10'0". Handing required for 6'8" and 7'2" and for most optional features listed
Fire Rating
 3 hours- hollow metal doors
 90 minutes- hollow metal and composite
 20 minutes- wood doors
 Classified in accordance with UL10C for positive pressure
 Fire-rated label



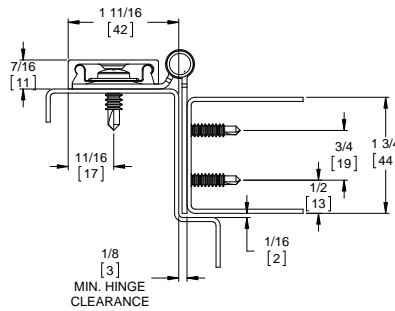
Optional Features

Finishes
 US32 Bright Stainless Steel (629)
 Scratch-Resistant Powder Coated Paint
Fasteners
 Tamper-proof security screws

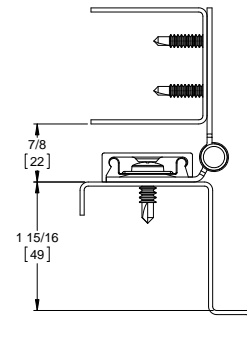
Other Features
 Custom lengths- specify in inches
 Custom hole pattern
 Dutch door hinges- suffix "DDP"
 Hospital tips - suffix "HT"
 Raised barrel - suffix "RB"
 Welded end pins

Electrical Modifications
 Current Transfer Prep (door leaf only) - suffix "CTP"

This pin & barrel type hinge is used on wooden doors to hide splits, chips and dents from traffic abuse. The surface mounted frame leaf allows for easy retrofit installation.



Door Closed



Door Open 180°

ASSA ABLOY
 Opening Solutions

Experience a safer
 and more open world

800-824-3018 | www.assaabloydooraccessories.us
 Check the web site for the up-to-date catalog



Copyright © 2015-2021, ASSA ABLOY Accessories and Door Controls Group, Inc., an ASSA ABLOY Group company. All rights reserved. Reproduction in whole or in part without the express written permission of ASSA ABLOY Accessories and Door Controls Group, Inc. is prohibited.

Markar HG305 Adjustable Hinge Guard

Standard Features

Barrel Type Hinge
 .187" diameter Stainless Steel pin (rod)
 Medical bearings
 Stainless Steel end pins
 Material
 Heavy-duty 14 gauge Stainless Steel
 Finishes
 US32D Satin Stainless Steel (630)
 Standards
 ANSI/BHMA Standard A156.26 Grade 1
 Mounting Hardware
 Fasteners concealed when door is closed
 Custom 12-24 x ¹¹/₁₆" S.S Phillips Flat Head Undercut TEK Screws

Capacity
 Supports weights up to 600 lbs.
 4'0" maximum door width
 Standard Sizes
 6'8", 7'0", 7'2", 8'0", 10'0"
 Hole Pattern
 Symmetrically templated
 Handing
 Not required for standard 7'0", 8'0" or 10'0". Handing required for 6'8" and 7'2" and for most optional features listed

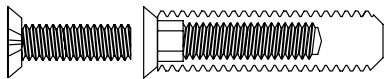
Fire Rating
 3 hours- hollow metal doors
 90 minutes- hollow metal and composite
 20 minutes- wood doors
 Classified in accordance with UL10C for positive pressure
 Fire-rated label
 Windstorm
 Products is constructed in accordance with Guidelines FEMA 320 & FEMA 361.

Optional Features

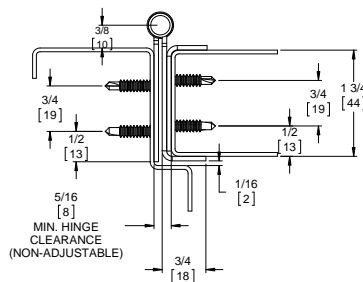
Finish
 US32 Bright Stainless Steel (629)
 Scratch-Resistant Powder Coated Paint
 Fasteners
 Adjust-A-Screw™ for correcting frame fit problems up to ³/₈"

Other Features
 Custom lengths- specify in inches
 Custom hole pattern
 Dutch door hinges- suffix "DDP"
 Hospital tips – suffix "HT"
 Raised barrel – suffix "RB"
 Welded end pins
 Security studs

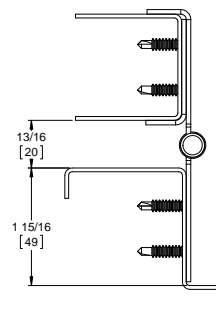
Electrical Modifications
 Adjustable Monitoring Switch - suffix "AMS"
 Current Transfer Prep - suffix "CTP"
 Electrical Transfer Access Prep - suffix "ETAP"
 ElectroLynx®
 EL4 (4 wire), EL8 (8 wire), EL12 (12 wire)
 PoE (9 wire)



The integral hinge guard protects the door from dings and gouges from carts and gurneys while providing clean lines and aesthetic appearance. Our HG products also have fire ratings up to and including 3 hours. Not only that, but the wrap-around edge guard protects the door from unsightly dents and gouges and will deflect objects, preventing further damage.



Door Closed



Door Open 180°

800-824-3018 | www.assaabloydooraccessories.us
 Check the web site for the up-to-date catalog

Copyright © 2015-2021, ASSA ABLOY Accessories and Door Controls Group, Inc., an ASSA ABLOY Group company. All rights reserved.
 Reproduction in whole or in part without the express written permission of ASSA ABLOY Accessories and Door Controls Group, Inc. is prohibited.

ASSA ABLOY
 Opening Solutions

Experience a safer
 and more open world



Markar HG306 Hinge Guard

Standard Features

Barrel Type Hinge
 .187" diameter Stainless Steel pin (rod)
 Medical bearings
 Stainless Steel end pins
 Material
 Heavy-duty 14 gauge Stainless Steel
 Cover - extruded aluminum
 Finishes
 US32D Satin Stainless Steel (630)
 Cover - brushed aluminum
 Standards
 ANSI/BHMA Standard A156.26 Grade 1
 Mounting Hardware
 Fasteners concealed when door is closed

Custom 12-24 x 11/16" S.S Phillips Flat
 Head Undercut TEK Screws & 1/4-14 x 3/4"
 Security TORX TEK Screws
 Capacity
 Supports weights up to 600 lbs.
 4'0" maximum door width
 Standard Sizes
 6'8", 7'0", 7'2", 8'0", 10'0"
 Hole Pattern
 Symmetrically templated
 Handing
 Not required for standard 7'0", 8'0" or 10'0". Handing required for 6'8" and 7'2" and for most optional features listed

Fire Rating
 3 hours- hollow metal doors
 90 minutes- hollow metal and composite
 20 minutes- wood doors

 Classified in accordance with UL10C for positive pressure
 Fire-rated label

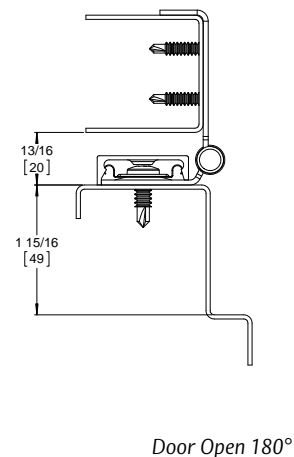
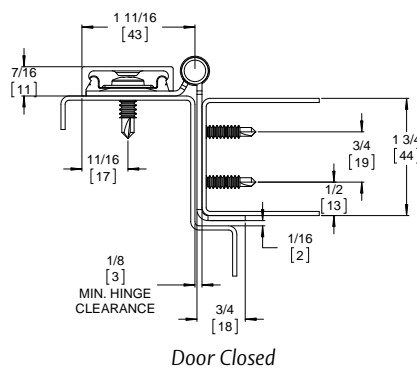
Optional Features

Finishes
 US32 Bright Stainless Steel (629)
 Scratch-Resistant Powder Coated Paint
 Fasteners
 Tamper-proof security screws

Other Features
 Custom lengths- specify in inches
 Custom hole pattern
 Dutch door hinges- suffix "DDP"
 Hospital tips - suffix "HT"
 Raised barrel - suffix "RB"
 Welded End Pins

Electrical Modifications
 Current Transfer Prep (door leaf only) - suffix "CTP"

This hinge is used with hollow metal frames and wood or hollow metal doors. The guard that wraps the door covers up dents, scratches, and splits in the door the door. This product covers the door's edge and wraps the door face to prevent further damage. This hinge can also be used to reverse the swing of a door.



ASSA ABLOY
 Opening Solutions

Experience a safer
 and more open world

800-824-3018 | www.assaabloydooraccessories.us
 Check the web site for the up-to-date catalog

Copyright © 2015-2021, ASSA ABLOY Accessories and Door Controls Group, Inc., an ASSA ABLOY Group company. All rights reserved. Reproduction in whole or in part without the express written permission of ASSA ABLOY Accessories and Door Controls Group, Inc. is prohibited.

Markar FS/SC309 Full Surface Swing Clear Hinge

Standard Features

Barrel Type Hinge
 .187" diameter Stainless Steel pin (rod)
Medical bearings
 Stainless Steel end pins
Material
 Heavy-duty 14 gauge Stainless Steel
 Cover - extruded aluminum
Finishes
 US32D Satin Stainless Steel (630)
 Cover - brushed aluminum
Standards
 ANSI/BHMA Standard A156.26 Grade 1
Mounting Hardware
 Fasteners concealed when door is closed
 Custom 12-24 x 1¹/₁₆" S.S Phillips Flat Head Undercut TEK Screws & 1/4-14 x 3/4" Security TORX TEK Screws

Capacity
 Supports weights up to 600 lbs.
 4'0" maximum door width
Standard Sizes
 6'8", 7'0", 7'2", 8'0", 10'0"
Hole Pattern
 Symmetrically templated
Handing
 Not required for standard 7'0", 8'0" or 10'0". Specify handing for 6'8" and 7'2" and for most optional features

Fire Rating
 3 hours- hollow metal doors
 90 minutes- hollow metal and composite
 20 minutes- wood doors



Classified in accordance with UL10C for positive pressure



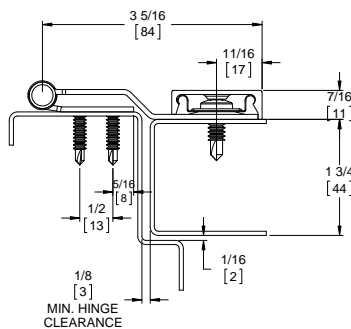
Fire-rated label

Optional Features

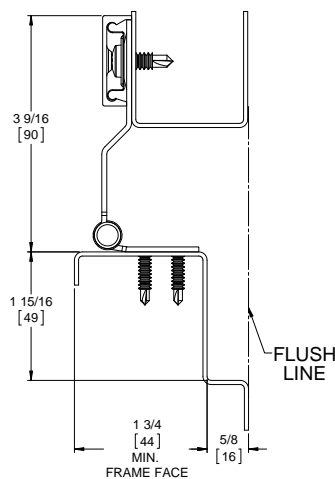
Finish
 US32 Bright Stainless Steel (629)
 Scratch-Resistant Powder Coated Paint
Fasteners
 Tamper-proof security screws

Other Features
 Custom lengths- specify in inches
 Custom hole pattern
 1⁵/₈" S.S. aluminum sleeve bolts
 Dutch door hinges - suffix "DDP"
 Hospital tips - suffix "HT"
 Lead lined cover with 4 lbs. lead lining - suffix "LL"
 Welded End Pins

This hinge is used to ensure that a door opened to a 90-degree angle is removed from the opening. This hinge will mount on a 1³/₄" face, and is especially useful for ADA upgrade work.



Door Closed



Door Open 90°

800-824-3018 | www.assaabloydooraccessories.us
 Check the web site for the up-to-date catalog

Copyright © 2015-2021, ASSA ABLOY Accessories and Door Controls Group, Inc., an ASSA ABLOY Group company. All rights reserved.
 Reproduction in whole or in part without the express written permission of ASSA ABLOY Accessories and Door Controls Group, Inc. is prohibited.

ASSA ABLOY
 Opening Solutions

Experience a safer
 and more open world



Markar HG310 Swing Clear Adjustable Hinge Guard

Standard Features

Barrel Type Hinge
 .187" diameter Stainless Steel pin (rod)
 Medical bearings
 Stainless Steel end pins
Material
 Heavy-duty 14 gauge Stainless Steel
Finishes
 US32D Satin Stainless Steel (630)
Standards
 ANSI/BHMA Standard A156.26 Grade 1
Mounting Hardware
 Fasteners concealed when door is closed
 Custom 12-24 x 11/16" S.S Phillips Flat Head Undercut TEK Screws

Capacity
 Supports weights up to 600 lbs.
 4'0" maximum door width
Standard Sizes
 6'8", 7'0", 7'2", 8'0", 10'0"
Hole Pattern
 Symmetrically templated
Handing
 Not required for standard 7'0", 8'0" or 10'0". Specify handing for 6'8" and 7'2" and for most optional features
Door Edge
 Square hinge edge
 Recommend Adjust-A-Screw for beveled hinge edge

Fire Rating
 3 hours- hollow metal doors
 90 minutes- hollow metal and composite core wood fire doors
 20 minutes- wood doors

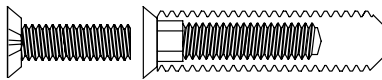
 Classified in accordance with UL10C for positive pressure
 Fire-rated label

Optional Features

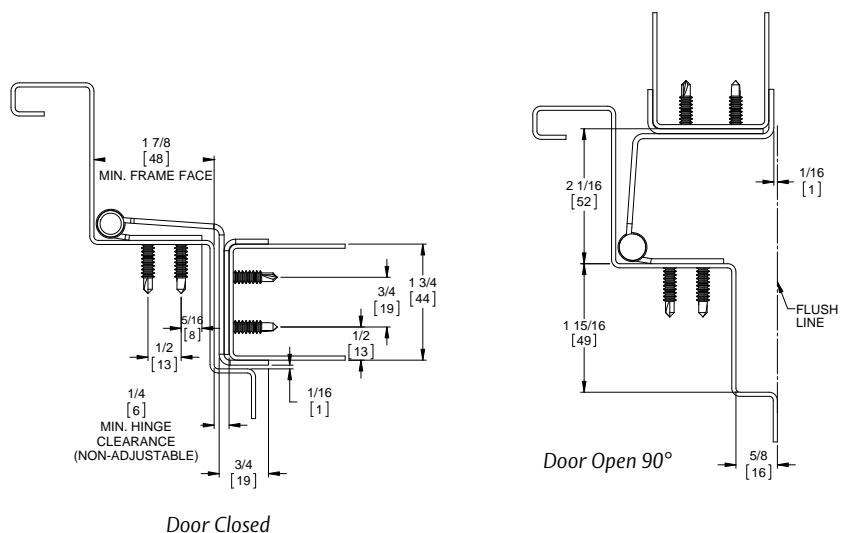
Finishes
 US32 Bright Stainless Steel (629)
 Scratch-Resistant Powder Coated Paint
Fasteners
 Tamper-proof security screws
 Adjust-A-Screws™ for correcting frame fit problems up to 3/8"

Other Features
 Custom lengths- specify in inches
 Custom hole pattern
 Dutch door hinges - suffix "DDP"
 Hospital tips - suffix "HT"
 Welded End Pins

Electrical Modifications
 Current Transfer Prep (door leaf only) - suffix "CTP"
 (EL-EPT-SC Power Transfer Recommended)



The ADA-compliant hinge is used on operating room doors to swing the door out of the opening when moving equipment in and out. The hinge guard also protects the door in the open position.



ASSA ABLOY
 Opening Solutions

Experience a safer
 and more open world

800-824-3018 | www.assaabloydooraccessories.us
 Check the web site for the up-to-date catalog

Copyright © 2015-2021, ASSA ABLOY Accessories and Door Controls Group, Inc., an ASSA ABLOY company. All rights reserved. Reproduction in whole or in part without the express written permission of ASSA ABLOY Accessories and Door Controls Group, Inc. is prohibited.

Markar HG311 Swing Clear Hinge Guard

Standard Features

Barrel Type Hinge
 .187" diameter Stainless Steel pin (rod)
 Medical bearings
 Stainless Steel end pins
Material
 Heavy-duty 14 gauge Stainless Steel
Finishes
 US32D Satin Stainless Steel (630)
Standards
 ANSI/BHMA Standard A156.26 Grade 1
Mounting Hardware
 Fasteners concealed when door is closed
 Custom 12-24 x 1¹/₁₆" S.S Phillips Flat Head Undercut TEK Screws

Capacity
 Supports weights up to 600 lbs.
 4'0" maximum door width
Standard Sizes
 6'8", 7'0", 7'2", 8'0", 10'0"
Hole Pattern
 Symmetrically templated
Handing
 Not required for standard 7'0", 8'0" or 10'0". Specify handing for 6'8" and 7'2" and for most optional features
Door Edge
 Square hinge edge
 For beveled hinge edge use HG310

Fire Rating
 3 hours- hollow metal door
 90 minutes- hollow metal and composite core wood fire doors
 20 minutes- wood doors



Classified in accordance with UL10C for positive pressure



Fire-rated label

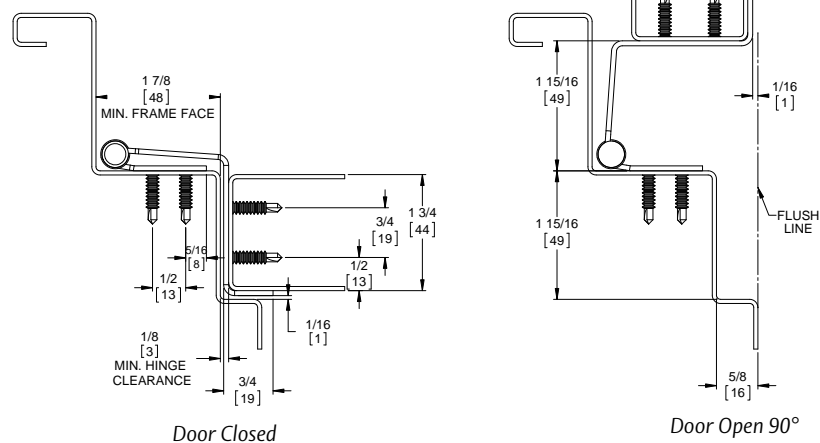
Optional Features

Finishes
 US32 Bright Stainless Steel (629)
 Scratch-Resistant Powder Coated Paint
Fasteners
 Tamper-proof security screws

Other Features
 Custom lengths- specify in inches
 Custom hole pattern
 Dutch door hinges - suffix "DDP"
 Hospital tips - suffix "HT"
 Welded End Pins

Electrical Modifications
 Current Transfer Prep (door leaf only) - suffix "CTP"
 (EL-EPT-SC Power Transfer Recommended)

This surface applied swing clear version allows doors to meet ADA requirements. The single wrap protects door edges from cart damage.



800-824-3018 | www.assaabloydooraccessories.us
 Check the web site for the up-to-date catalog

Copyright © 2015-2021, ASSA ABLOY Accessories and Door Controls Group, Inc., an ASSA ABLOY Group company. All rights reserved.
 Reproduction in whole or in part without the express written permission of ASSA ABLOY Accessories and Door Controls Group, Inc. is prohibited.

ASSA ABLOY
 Opening Solutions

Experience a safer
 and more open world



Markar HG315 Edge Mount Hinge Guard

Standard Features

Barrel Type Hinge
 .187" diameter Stainless Steel pin (rod)
 Medical bearings
 Stainless Steel end pins
Material
 Heavy-duty 14 gauge Stainless Steel
Finishes
 US32D Satin Stainless Steel (630)
Standards
 ANSI/BHMA Standard A156.26 Grade 1
Mounting Hardware
 Fasteners concealed when door is closed
 Custom 12-24 x 1¹/₁₆" S.S Phillips Flat Head Undercut TEK Screws

Capacity
 Supports weights up to 600 lbs.
 4'0" maximum door width
Standard Sizes
 6'8", 7'0", 7'2", 8'0", 10'0"
Hole Pattern
 Symmetrically templated
Handing
 Not required for standard 7'0", 8'0" or 10'0". Specify handing for 6'8" and 7'2" and for most optional features

Fire Rating
 3 hours- hollow metal doors
 90 minutes- hollow metal and composite core wood fire doors
 20 minutes- wood doors

 Classified in accordance with UL10C for positive pressure
 Fire-rated label

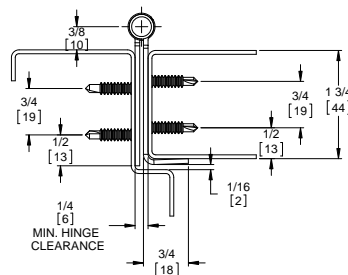
Optional Features

Finishes
 US32 Bright Stainless Steel (629)
 Scratch-Resistant Powder Coated Paint
Fasteners
 Tamper-proof security screws

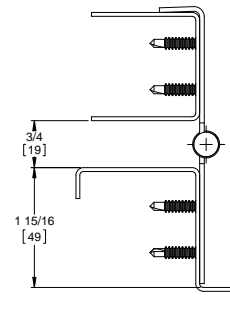
Other Features
 Custom lengths- specify in inches
 Custom hole pattern
 Dutch door hinges- suffix "DDP"
 Hospital tips - suffix "HT"
 Raised barrel - suffix "RB"
 Welded end pins
 Security studs

Electrical Modifications
 Adjustable Monitoring Switch - suffix "AMS"
 Current Transfer Prep - suffix "CTP"
 Electrical Transfer Access Prep - suffix "ETAP"
 ElectroLynx®
 EL4 (4 wire), EL8 (8 wire), EL12 (12 wire)
 PoE (9 wire)

Featuring our unique edge guard, this economical hinge prevents objects from being placed between the door and frame as well as protects the door's edge while supporting the door's weight along the entire length of the jamb.



Door Closed



Door Open 180°

ASSA ABLOY
 Opening Solutions

Experience a safer
 and more open world

800-824-3018 | www.assaabloydooraccessories.us
 Check the web site for the up-to-date catalog

Copyright © 2015-2021, ASSA ABLOY Accessories and Door Controls Group, Inc., an ASSA ABLOY Group company. All rights reserved. Reproduction in whole or in part without the express written permission of ASSA ABLOY Accessories and Door Controls Group, Inc. is prohibited.

Markar FS321 Full Surface 3/4" Offset Hinge

Standard Features

Barrel Type Hinge
 .187" diameter Stainless Steel pin (rod)
 Medical bearings
 Stainless Steel end pins
Material
 Heavy-duty 14 gauge Stainless Steel
 Cover - extruded aluminum
Finishes
 US32D Satin Stainless Steel (630)
Standards
 ANSI/BHMA Standard A156.26 Grade 1
Mounting Hardware
 Fasteners concealed underneath
 aluminum cover
 1/4-14 x 3/4" Security TORX TEK Screws

Capacity
 Supports weights up to 600 lbs.
 4'0" maximum door width
Standard Sizes
 6'8", 7'0", 7'2", 8'0", 10'0"
 brushed aluminum
Handing
 Not required for standard 7'0", 8'0"
 or 10'0". Specify handing for 6'8" and
 7'2" and for most optional features

Fire Rating
 3 hours- hollow metal doors
 90 minutes- hollow metal and
 composite core wood fire doors
 20 minutes- wood doors



Classified in accordance with UL10C for positive pressure



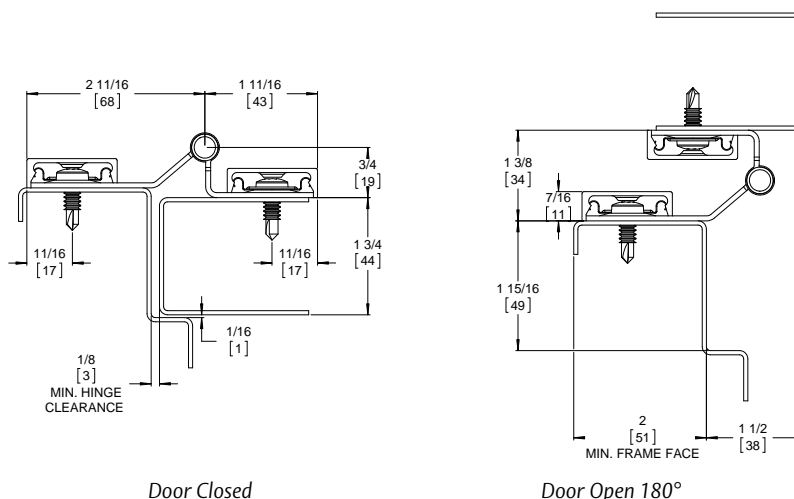
Fire-rated label

Optional Features

Finishes
 US32 Bright Stainless Steel (629)
 Scratch-Resistant Powder Coated Paint
Fasteners
 Tamper-proof security screws

Other Features
 Custom lengths- specify in inches
 Custom hole pattern
 Dutch door hinges- suffix "DDP"
 Hospital tips - suffix "HT"
 Lead lined covers with 4 lbs. lead lining
 - suffix "LL"
 Welded end pins

This surface mount pin & barrel model was developed to work in conjunction with existing 3/4" offset floor closers. Where top or intermediate pivots have worn and the floor closer will remain, the FS321 is the solution to extending the life of the opening.



800-824-3018 | www.assaabloydooraccessories.us
 Check the web site for the up-to-date catalog

Copyright © 2015-2021, ASSA ABLOY Accessories and Door Controls Group, Inc., an ASSA ABLOY Group company. All rights reserved. Reproduction in whole or in part without the express written permission of ASSA ABLOY Accessories and Door Controls Group, Inc. is prohibited.

ASSA ABLOY
 Opening Solutions

Experience a safer
 and more open world

Markar HG322 Adjustable Hinge Guard

Standard Features

Barrel Type Hinge
 .187" diameter Stainless Steel pin (rod)
 Medical bearings
 Stainless Steel end pins
 Material
 Heavy-duty 14 gauge Stainless Steel
 Finishes
 US32D Satin Stainless Steel (630)
 Standards
 ANSI/BHMA Standard A156.26 Grade 1
 Mounting Hardware
 Fasteners concealed when door is closed
 Custom 12-24 x 11/16" S.S Phillips Flat Head Undercut TEK Screws

Capacity
 Supports weights up to 600 lbs.
 4'0" maximum door width
 Standard Sizes
 6'8", 7'0", 7'2", 8'0", 10'0"
 Hole Pattern
 Symmetrically templated
 Handing
 Not required for standard 7'0", 8'0" or 10'0". Specify handing for 6'8" and 7'2" and for most optional features

Fire Rating
 3 hours- hollow metal doors
 90 minutes- hollow metal and composite core wood fire doors
 20 minutes- wood doors



Classified in accordance with UL10C for positive pressure



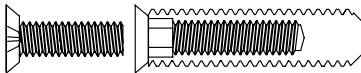
Fire-rated label

Optional Features

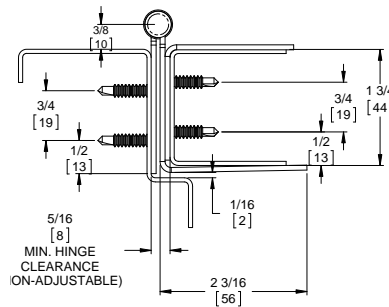
Finishes
 US32 Bright Stainless Steel (629)
 Scratch-Resistant Powder Coated Paint
 Fasteners
 Tamper-proof security screws
 Adjust-A-Screw™ for correcting frame fit problems up to 3/8"

Other Features
 Custom lengths- specify in inches
 Custom hole pattern
 Dutch door hinges- suffix "DDP"
 Hospital tips - suffix "HT"
 Raised barrel - suffix "RB"
 Special sheared leaf
 Welded end pins
 Security studs

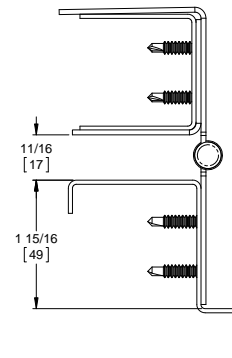
Electrical Modifications
 Adjustable Monitoring Switch - suffix "AMS"
 Current Transfer Prep - suffix "CTP"
 Electrical Transfer Access Prep - suffix "ETAP"
 ElectroLynx®
 EL4 (4 wire), EL8 (8 wire), EL12 (12 wire)
 PoE (9 wire)



Occasionally the need arises for an extended door wrap, and this need is met with the Markar HG322. All the features of the HG305 Hinge/Guard plus 2" extensions.



Door Closed



Door Open 180°

ASSA ABLOY
 Opening Solutions

Experience a safer
 and more open world

800-824-3018 | www.assaabloydooraccessories.us

Check the web site for the up-to-date catalog

Copyright © 2015-2021, ASSA ABLOY Accessories and Door Controls Group, Inc., an ASSA ABLOY Group company. All rights reserved. Reproduction in whole or in part without the express written permission of ASSA ABLOY Accessories and Door Controls Group, Inc. is prohibited.



Markar HG323 Edge Mount Hinge Guard

Standard Features

Barrel Type Hinge
 .187" diameter Stainless Steel pin (rod)
Medical bearings
 Stainless Steel end pins
Material
 Heavy-duty 14 gauge Stainless Steel
Finishes
 US32D Satin Stainless Steel (630)
Standards
 ANSI/BHMA Standard A156.26 Grade 1
Mounting Hardware
 Fasteners concealed when door is closed
 Custom 12-24 x 1¹/₁₆" S.S Phillips Flat Head Undercut TEK Screws & 1/4-20 x 1⁵/₈" Thru Bolt Stainless Steel

Capacity
 Supports weights up to 600 lbs.
 4'0" maximum door width
Standard Sizes
 6'8", 7'0", 7'2", 8'0", 10'0"
Hole Pattern
 Symmetrically templated
Handing
 Not required for standard 7'0", 8'0" or 10'0". Specify handing for 6'8" and 7'2" and for most optional features

Fire Rating
 3 hours- hollow metal doors
 90 minutes- hollow metal and composite core wood fire doors
 20 minutes- wood doors

 Classified in accordance with UL10C for positive pressure
 Fire-rated label

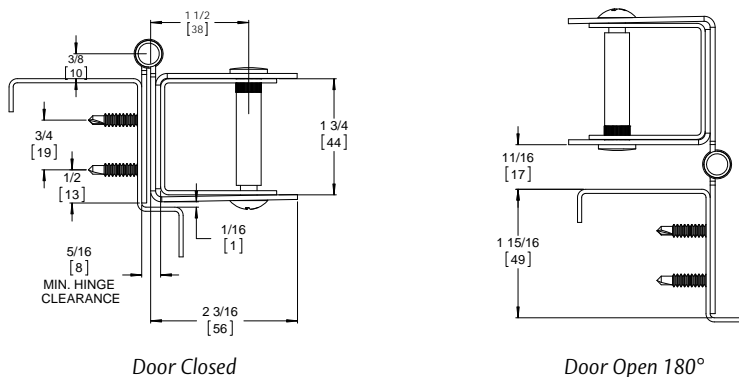
Optional Features

Finishes
 US32 Bright Stainless Steel (629)
 Scratch-Resistant Powder Coated Paint
Fasteners
 Tamper-proof security screws

Other Features
 Custom lengths- specify in inches
 Custom hole pattern
 Dutch door hinges - suffix "DDP"
 Hospital tips - suffix "HT"
 Raised barrel - suffix "RB"
 Special sheared leaf

Electrical Modifications
 Adjustable Monitoring Switch – suffix "AMS"
 Current Transfer Prep – suffix "CTP"
 Electrical Transfer Access Prep - suffix "ETAP"
 ElectroLynx®
 EL4 (4 wire), EL8 (8 wire), EL12 (12 wire)
 PoE (9 wire)

This extended wrap model allows you to sandwich the door between two leaves of Stainless Steel and through bolt them together. It is ideal where doors have split and you want to save them.





Markar FM/SC325 Edge Mount Swing Clear Hinge

Standard Features

Barrel Type Hinge
 .187" diameter Stainless Steel pin (rod)
 Medical bearings
 Stainless Steel end pins
 Material
 Heavy-duty 14 gauge Stainless Steel
 Finishes
 US32D Satin Stainless Steel (630)
 Standards
 ANSI/BHMA Standard A156.26 Grade 1
 Mounting Hardware
 Fasteners concealed when door is closed
 Custom 12-24 x 1¹/₁₆" S.S Phillips
 Flat Head Undercut TEK Screws

Handing
 Not required for standard 7'0", 8'0" or 10'0". Specify handing for 6'8" and 7'2" and for most optional features
 Capacity
 Supports weights up to 600 lbs.
 4'0" maximum door width
 Standard Sizes
 6'8", 7'0", 7'2", 8'0", 10'0"
 Hole Pattern
 Symmetrically templated
 Door Edge
 Square hinge edge

Fire Rating
 3 hours- hollow metal doors
 90 minutes- hollow metal and composite core wood fire doors
 20 minutes- wood doors
 Classified in accordance with UL10C for positive pressure
 Fire-rated label

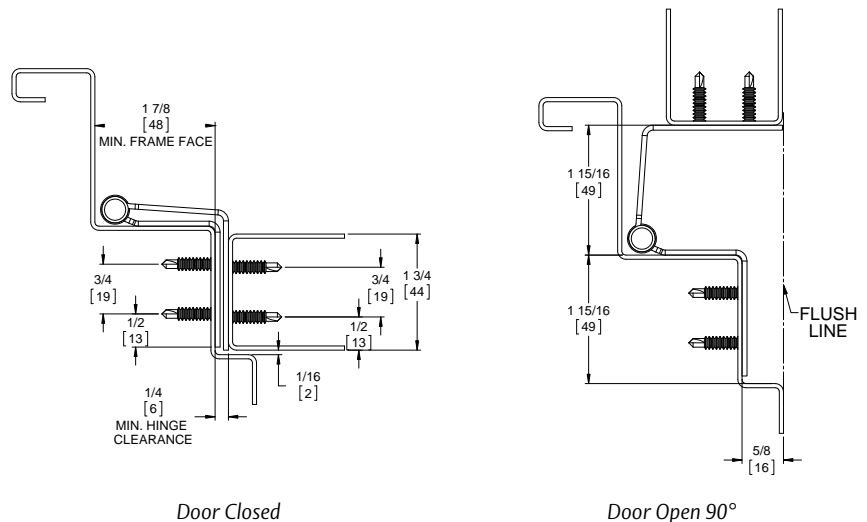
Optional Features

Finish
 US32 Bright Stainless Steel (629)
 Scratch-Resistant Powder Coated Paint

Other Features
 Custom lengths- specify in inches
 Custom hole pattern
 Dutch door hinges - suffix "DDP"
 Hospital tips - suffix "HT"
 Welded end pins

Electrical Modifications
 Adjustable Monitoring Switch - suffix "AMS"
 Current Transfer Prep - suffix "CTP"
 (EL-EPT-SC Power Transfer Recommended)

This hinge is used to ensure that a door opened to a 90-degree angle is removed from the opening. This hinge will mount on a 1⁷/₈" face, and is especially useful for ADA upgrade work.



ASSA ABLOY
 Opening Solutions

Experience a safer
 and more open world

800-824-3018 | www.assaabloydooraccessories.us
 Check the web site for the up-to-date catalog

Copyright © 2015-2021, ASSA ABLOY Accessories and Door Controls Group, Inc., an ASSA ABLOY Group company. All rights reserved. Reproduction in whole or in part without the express written permission of ASSA ABLOY Accessories and Door Controls Group, Inc. is prohibited.



Markar HG326 Swing Clear Adjustable Hinge Guard

Standard Features

Barrel Type Hinge
 .187" diameter Stainless Steel pin (rod)
 Medical bearings
 Stainless Steel end pins
Material
 Heavy-duty 14 gauge Stainless Steel
Finishes
 US32D Satin Stainless Steel (630)
Standards
 ANSI/BHMA Standard A156.26 Grade 1
Mounting Hardware
 Custom 12-24 x 1¹/₁₆" S.S Phillips Flat Head Undercut TEK Screws

Capacity
 Supports weights up to 600 lbs.
 4'0" maximum door width
Standard Sizes
 6'8", 7'0", 7'2", 8'0", 10'0"
Hole Pattern
 Symmetrically templated
Door Edge
 Square hinge edge
 Recommend Adjust-A-Screw for beveled hinge edge
Handing
 Not required for standard 7'0", 8'0" or 10'0". Specify handing for 6'8" and 7'2" and for most optional features

Fire Rating
 3 hours- hollow metal doors
 90 minutes- hollow metal and composite core wood fire doors
 20 minutes- wood doors

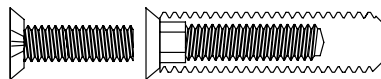
 Classified in accordance with UL10C for positive pressure
 Fire-rated label

Optional Features

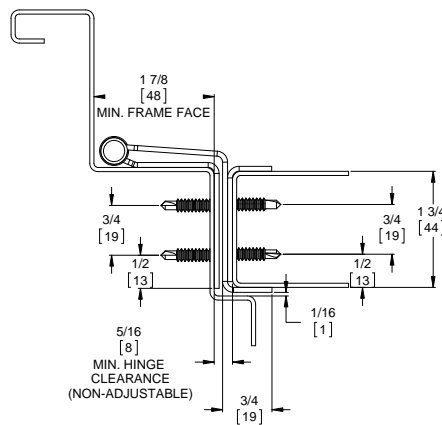
Finishes
 US32 Bright Stainless Steel (629)
 Scratch-Resistant Powder Coated Paint
Other Features
 Custom lengths- specify in inches
 Custom hole pattern
 Dutch door hinges- suffix "DDP"
 Hospital tips - suffix "HT"
 Welded end pins

Fasteners
 Tamper-proof security screws
 Adjust-A-Screw™ for correcting frame fit problems up to 3/8"

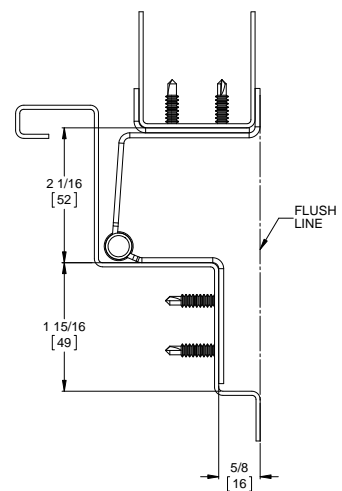
Electrical Modifications
 Current Transfer Prep - suffix "CTP"
 (EL-EPT-SC Power Transfer Recommended)



The incorporated edge guard protects the door from unsightly dents and gouges while also protecting the hinge from vandalism.



Door Closed



Door Open 90°

800-824-3018 | www.assaabloydooraccessories.us
 Check the web site for the up-to-date catalog

Copyright © 2015-2021, ASSA ABLOY Accessories and Door Controls Group, Inc., an ASSA ABLOY Group company. All rights reserved.
 Reproduction in whole or in part without the express written permission of ASSA ABLOY Accessories and Door Controls Group, Inc. is prohibited.

ASSA ABLOY
 Opening Solutions

Experience a safer
 and more open world

Markar FM327 Edge Mount Safety Hinge

Standard Features

Barrel Type Hinge
 .187" diameter Stainless Steel pin (rod)
 Medical bearings
 Stainless Steel end pins
Material
 Heavy-duty 14 gauge Stainless Steel
Finishes
 US32D Satin Stainless Steel (630)
Standards
 ANSI/BHMA Standard A156.26 Grade 1
Mounting Hardware
 Custom 12-24 x 1¹/₁₆" S.S Phillips Flat Head Undercut TEK Screws

Capacity
 Supports weights up to 600 lbs.
 4'0" maximum door width
Standard Sizes
 6'8", 7'0", 7'2", 8'0", 10'0"
Hole Pattern
 Symmetrically templated
Handing
 Not required for standard 7'0", 8'0" or 10'0". Specify handing for 6'8" and 7'2" and for most optional features
Door Edge
 Square hinge edge

Fire Rating
 This hinge is not fire rated

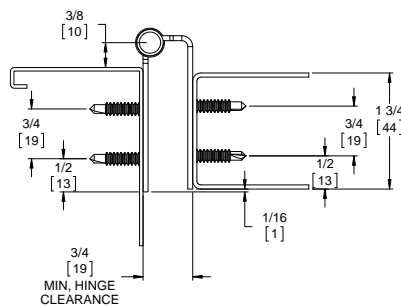
Optional Features

Finishes
 US32 Bright Stainless Steel (629)
 Scratch-Resistant Powder Coated Paint

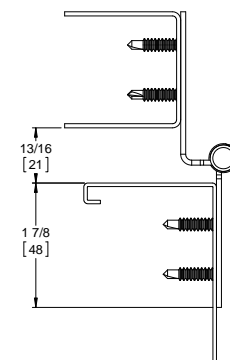
Other Features
 Custom lengths- specify in inches
 Custom hole pattern
 Dutch door hinges - suffix "DDP"
 Welded end pins

Fasteners
 Tamper-proof security screws

This unique design prevents small fingers from getting pinched in the door. It is ideal for elementary schools, day care, childcare, and nursing home facilities. This full-length continuous pin & barrel hinge also provides privacy by blocking sight lines into rooms. The hinge must be used with a cased open type frame.



Door Closed



Door Open 180°

ASSA ABLOY
 Opening Solutions

Experience a safer
 and more open world

800-824-3018 | www.assaabloydooraccessories.us
 Check the web site for the up-to-date catalog

Copyright © 2015-2021, ASSA ABLOY Accessories and Door Controls Group, Inc., an ASSA ABLOY Group company. All rights reserved. Reproduction in whole or in part without the express written permission of ASSA ABLOY Accessories and Door Controls Group, Inc. is prohibited.


Markar HG329 Swing Clear Hinge Guard for Square Edge Door


Standard Features

Barrel Type Hinge
 .187" diameter Stainless Steel pin (rod)
 Medical bearings
 Stainless Steel end pins
 Material
 Heavy-duty 14 gauge Stainless Steel
 Finishes
 US32D Satin Stainless Steel (630)
 Standards
 ANSI/BHMA Standard A156.26 Grade 1
 Mounting Hardware
 Fasteners concealed when door is closed
 Custom 12-24 x 11/16" S.S Phillips Flat Head Undercut TEK Screws

Capacity
 Supports weights up to 600 lbs.
 4'0" maximum door width
 Standard Sizes
 6'8", 7'0", 7'2", 8'0", 10'0"
 Door Edge
 Square hinge edge
 For beveled hinge edge use HG326
 Hole Pattern
 Symmetrically templated
 Specify handing

Fire Rating
 3 hours- hollow metal doors
 90 minutes- hollow metal and composite core wood fire doors
 20 minutes- wood doors

 Classified in accordance with UL10C for positive pressure

 Fire-rated label

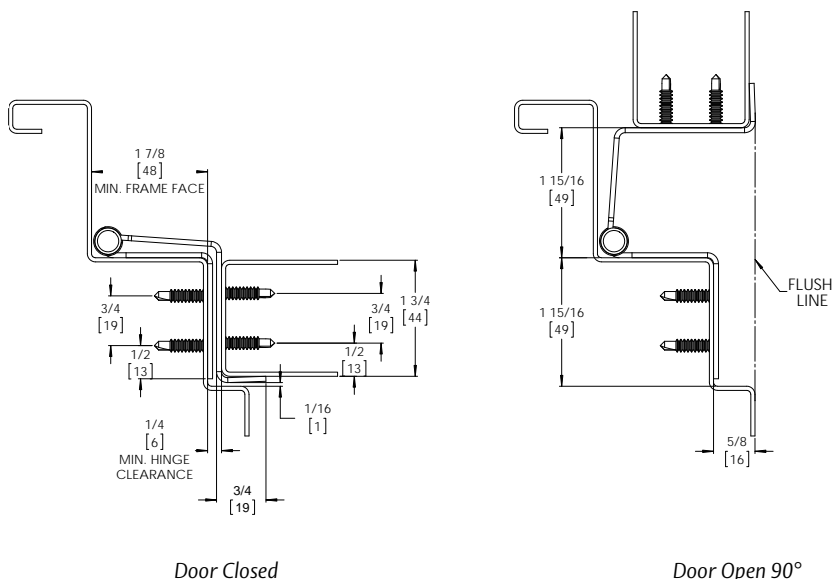
Optional Features

Finishes
 US32 Bright Stainless Steel (629)
 Scratch-Resistant Powder Coated Paint

Other Features
 Custom lengths- specify in inches
 Custom hole pattern
 Dutch door hinges- suffix "DDP"
 Hospital tips - suffix "HT"
 Welded end pins
 Fasteners
 Tamper-proof security screws

Electrical Modifications
 Adjustable Monitoring Switch - suffix "AMS"
 Current Transfer Prep - suffix "CTP"
 (EL-EPT-SC Power Transfer Recommended)

The incorporated edge guard protects the door from unsightly dents and gouges while also protecting the hinge from vandalism.





Markar FM338 Edge Mount Hinge (1³/₈" Thick Door)

Standard Features

Barrel Type Hinge
 .187" diameter Stainless Steel pin (rod)
 Medical bearings
 Stainless Steel end pins
Material
 Heavy-duty 14 gauge Stainless Steel
Finishes
 US32D Satin Stainless Steel (630)
Standards
 ANSI/BHMA Standard A156.26 Grade 1
Hole Pattern
 Symmetrically templated

Mounting Hardware
 Fasteners concealed when door is closed
 Custom 12-24 x 1¹/₁₆" S.S Phillips Flat Head Undercut TEK Screws
Capacity
 Supports weights up to 300 lbs.
 4'0" maximum door width
Standard Sizes
 6'8", 7'0", 7'2", 8'0", 10'0"
Handing
 Handing not required on standard hinges. Specify handing when ordering a hinge with modification

Fire Rating
 3 hours- hollow metal doors
 90 minutes- hollow metal and composite core wood fire doors
 20 minutes- wood doors

 Classified in accordance with UL10C for positive pressure
 Fire-rated label

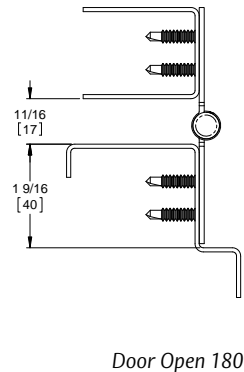
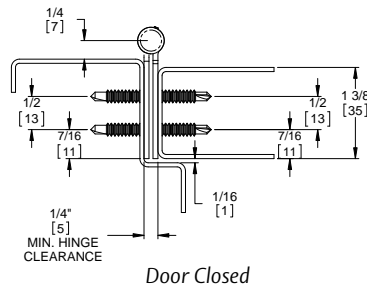
Optional Features

Finishes
 Scratch-Resistant Powder Coated Paint
Fasteners
 Tamper-proof security screws

Other Features
 Custom lengths- specify in inches
 Custom hole pattern
 Dutch door hinges- suffix "DDP"
 Hospital tips - suffix "HT"
 Raised barrel - suffix "RB"
 Welded end pins
 Security studs

Electrical Modifications
 Adjustable Monitoring Switch - suffix "AMS"
 Electrical Transfer Access Prep - suffix "ETAP"
 ElectroLynx®
 EL4 (4 wire), EL8 (8 wire), EL12 (12 wire)
 PoE (9 wire)

This edge-mounted pin & barrel hinge is used on many of today's high traffic, high abuse doors. This hinge is designed to work with 1³/₈" thick doors



ASSA ABLOY
 Opening Solutions

Experience a safer
 and more open world

800-824-3018 | www.assaabloydooraccessories.us
 Check the web site for the up-to-date catalog

Copyright © 2015-2021, ASSA ABLOY Accessories and Door Controls Group, Inc., an ASSA ABLOY Group company. All rights reserved. Reproduction in whole or in part without the express written permission of ASSA ABLOY Accessories and Door Controls Group, Inc. is prohibited.


Markar FM344 Edge Mount Hinge


Standard Features

Barrel Type Hinge
 .187" diameter Stainless Steel pin (rod)
 Medical bearings
 Stainless Steel end pins
Material
 Heavy-duty 14 gauge Stainless Steel
Finishes
 US32D Satin Stainless Steel (630)
Standards
 ANSI/BHMA Standard A156.26 Grade 1
Hole Pattern
 Symmetrically templated

Mounting Hardware
 Fasteners concealed when door is closed
 Custom 12-24 x 1 1/16" S.S Phillips Flat Head Undercut TEK Screws
Capacity
 Supports weights up to 300 lbs.
 4'0" maximum door width
Standard Sizes
 6'8", 7'0", 7'2", 8'0", 10'0"
Handing
 Handing not required on standard hinges. Specify handing when ordering a hinge with modification

Fire Rating
 3 hours- hollow metal doors
 90 minutes- hollow metal and composite core wood fire doors
 20 minutes- wood doors

 Classified in accordance with UL10C for positive pressure

 Fire-rated label

Windstorm
 Evaluated in accordance with TAS 201-94, TAS 202-94, TAS 203-94, ASTM E330, ASTM E1886, ASTM E1996 and ANSI A250.13

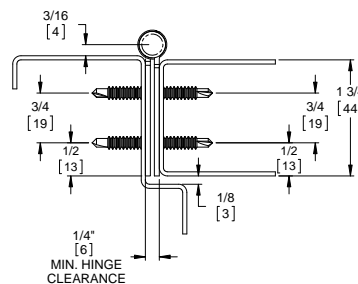
Optional Features

Finishes
 Scratch-Resistant Powder Coated Paint
Fasteners
 Tamper-proof security screws

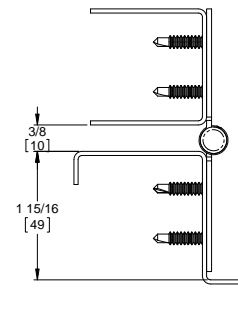
Other Features
 Custom lengths- specify in inches
 Custom hole pattern
 Dutch door hinges- suffix "DDP"
 Hospital tips - suffix "HT"
 Raised barrel - suffix "RB"
 Welded end pins
 Security studs

Electrical Modifications
 Adjustable Monitoring Switch - suffix "AMS"
 Current Transfer Prep - suffix "CTP"
 Electrical Transfer Access Prep - suffix "ETAP"
 ElectroLynx®
 EL4 (4 wire), EL8 (8 wire), EL12 (12 wire)
 PoE (9 wire)

This edge-mounted pin & barrel hinge is used on many of today's high traffic, high abuse doors. This hinge is great for 1 3/4" thick door where the hinge barrel is close to the frame and door face



Door Closed



Door Open 180°

Markar EG308 Adjustable Edge Guard

Standard Features

Material
Heavy-duty 16 gauge stainless steel

Finishes
US32D Satin Stainless Steel (630)

Mounting Hardware
Fasteners concealed when door is closed

Included fasteners are:

- Custom 12-24 x 1¹/₁₆" S.S Phillips Flat Head Undercut TEK Screws
 - Custom 12-24 x 1¹/₂" S.S. Phillips Flat Head Particle Board Screws
- Order form required, available online.

Standard Sizes
6'8", 7'0", 7'2", 8'0", 10'0"

Door Edge
Specify square or beveled edge when ordering (beveled edge standard)

Fire Rating
3 hours- hollow metal doors
90 minutes- hollow metal and composite
20 minutes- wood doors



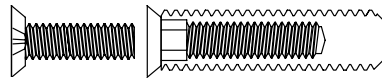
Fire-rated label

MAY NOT APPLY TO ALL WOOD DOORS. PLEASE CONSULT FACTORY FOR SPECIFIC WOOD DOOR APPLICATIONS.

Optional Features

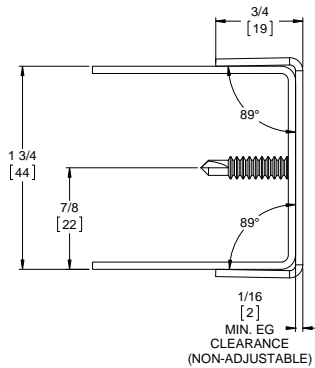
- Finish**
US32 Bright Stainless Steel (629)
Scratch-Resistant Powder Coated Paint
- Hardware Cutouts**
(Edge Guard order form must be filled out)
Flush bolts
ASA strike
Deadlock strike and latch
86 edge
Hospital latch
161 cutout

Fasteners
Tamper-proof security screws
Adjust-A-Screw™ for correcting frame fit problems up to 3/8"

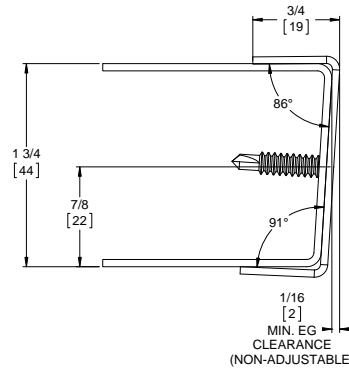


- Other Features**
Custom lengths - specify in inches
Staggered hole pattern for lead lined doors
Custom cutouts
Dutch door application - suffix "DDP"

This fire-labeled edge guard is used in conjunction with the HG305 Hinge/Guard for a balanced aesthetic look. It also provides protection for the leading edge of the door.



Square edge door



Bevel edge door

ASSA ABLOY
Opening Solutions

Experience a safer
and more open world

800-824-3018 | www.assaabloydooraccessories.us
Check the web site for the up-to-date catalog

Copyright © 2015-2021, ASSA ABLOY Accessories and Door Controls Group, Inc., an ASSA ABLOY Group company. All rights reserved. Reproduction in whole or in part without the express written permission of ASSA ABLOY Accessories and Door Controls Group, Inc. is prohibited.

Markar EGC308 Single Return Edge Guard

Standard Features

Material

Heavy-duty 16 gauge stainless steel

Finishes

US32D Satin Stainless Steel (630)

Mounting Hardware

Fasteners concealed when door is closed

Included fasteners are:

Custom 12-24 x 1¹/₁₆" S.S Phillips

Flat Head Undercut TEK Screws

Custom 12-24 x 1¹/₂" S.S. Phillips

Flat Head Particle Board Screws

Order form required, available online.

Standard Sizes

6'8", 7'0", 7'2", 8'0", 10'0"

Door Edge

Specify square or beveled edge when ordering (beveled edge standard)

Fire Rating

3 hours- hollow metal doors
90 minutes- hollow metal and composite
20 minutes- wood doors



Fire-rated label

MAY NOT APPLY TO ALL WOOD DOORS. PLEASE CONSULT FACTORY FOR SPECIFIC WOOD DOOR APPLICATIONS.

Optional Features

Finish

US32 Bright Stainless Steel (629)

Scratch-Resistant Powder Coated Paint

Hardware Cutouts

(Edge Guard order form must be filled out)

Flush bolts

ASA strike

Deadlock strike and latch

86 edge

Hospital latch

161 cutout

Fasteners

Tamper-proof security screws

Other Features

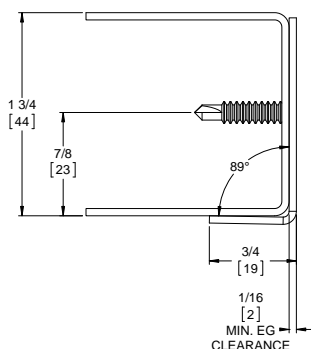
Custom lengths - specify in inches

Staggered hole pattern for lead lined doors

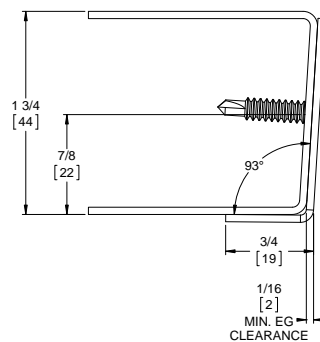
Custom cutouts

Dutch door application - suffix "DDP"

This fire-labeled edge guard works with the HG315 Hinge/Guard. It provides protection to the leading edge of the door, while maintaining the door's aesthetic appearance in the closed position.



Square edge door



Bevel edge door

Markar EGT308 Adjustable Edge Guard with Astragal

Standard Features

Material
Heavy-duty 16 gauge stainless steel

Finishes
US32D Satin Stainless Steel (630)

Mounting Hardware
Fasteners concealed when door is closed
Included fasteners are:
Custom 12-24 x 1¹/₁₆" S.S Phillips Flat Head Undercut TEK Screws
Custom 12-24 x 1¹/₂" S.S. Phillips Flat Head Particle Board Screws
Order form required, available online.

Standard Sizes
6'8", 7'0", 7'2", 8'0", 10'0"

Door Edge
Specify square or beveled edge when ordering (beveled edge standard)

Fire Rating
3 hours- hollow metal doors
90 minutes- hollow metal and composite
20 minutes- wood doors



Fire-rated label

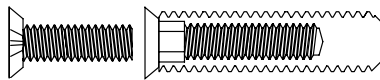
MAY NOT APPLY TO ALL WOOD DOORS. PLEASE CONSULT FACTORY FOR SPECIFIC WOOD DOOR APPLICATIONS.

Optional Features

Finish
US32 Bright Stainless Steel (629)
Scratch-Resistant Powder Coated Paint

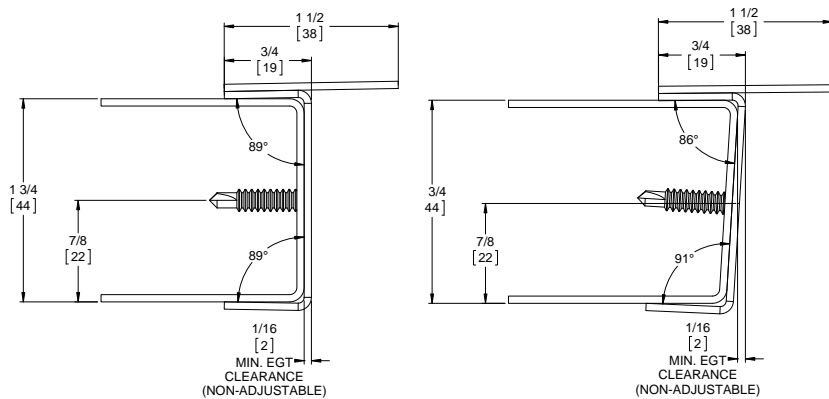
Hardware Cutouts
(Edge Guard order form must be filled out)
Flush bolts
ASA strike
Deadlock strike and latch
86 edge
Hospital latch
167 cutout

Fasteners
Tamper-proof security screws
Adjust-A-Screw™ for correcting frame fit problems up to 3/8"



Other Features
Custom lengths - specify in inches
Staggered hole pattern for lead lined doors
Custom cutouts
Dutch door application - suffix "DDP"
Lead lined astragal with 4 lbs. lead lining - suffix "LL"

The integral overlapping astragal of the EGT308 provides additional security by protecting the latch protector. It is ideal for exterior pairs of doors or doors that require added protection from vandalism.



Square edge door

Bevel edge door

ASSA ABLOY
Opening Solutions

Experience a safer
and more open world

800-824-3018 | www.assaabloydooraccessories.us
Check the web site for the up-to-date catalog

Copyright © 2015-2021, ASSA ABLOY Accessories and Door Controls Group, Inc., an ASSA ABLOY Group company. All rights reserved. Reproduction in whole or in part without the express written permission of ASSA ABLOY Accessories and Door Controls Group, Inc. is prohibited.

Markar 200 Series Carbon Steel Pin & Barrel Continuous Hinges

Short Form Architectural Specification:

Continuous hinges shall be full height piano-type hinge providing full height door support.

- Supports weights up to 600 lbs. 4'0" maximum door width
- Material to be 14 gauge 1012 carbon steel
- .187" diameter stainless steel pin (rod)
- Each knuckle 2", including nylon bearing at each separation for a quiet, smooth, self-lubricating operation
- Finish: Zinc Plated
Optional Finish: Scratch-Resistant Powder Coated Paint
- All hinges shall be furnished with manufacturer's recommended hardware pack per specific model application
- Must use undercut head screws
- Must be able to carry Warnock Hersey Int. or UL fire rated doors and frames up to 3 hours
- Hinges shall meet ANSI/BHMA Standard A 156.26 Grade 1
- Symmetrically templated hole pattern

NOTE: 25-Year Warranty on all Continuous Hinges

NOTE: Fire label for doors and frames should be placed on the header and top rail of fire rated doors and frames

Markar FM200 Edge Mount Hinge

Standard Features

Barrel Type Hinge

.187" diameter stainless steel pin (rod)

Medical bearings

Stainless steel end pins

Material

Heavy-duty 14 gauge 1012 carbon steel

Finishes

Zinc Plated

Standards

ANSI/BHMA Standard A156.26 Grade 1

Mounting Hardware

No exposed mounting fasteners

Custom 12-24 x 1¹/₁₆" S.S Phillips

Flat Head Undercut TEK Screws

Capacity

Supports weights up to 600lbs.

4'0" maximum door width

Standard Sizes

6'8", 7'0", 7'2", 8'0", 10'0"

Handing

Handing not required on standard hinges. Specify handing when ordering a hinge with modification

Fire Rating

3 hours- hollow metal doors

90 minutes- hollow metal and

composite core wood fire doors

20 minutes- wood doors



Classified in accordance with UL10C for positive pressure



Fire-rated label

Windstorm

Evaluated in accordance with TAS

201-14, TAS 202-14, TAS 203-14,

ASTM E330, ASTM E1886, ASTM

E1996 and ANSI A250.13

Optional Features

Finish

Scratch-Resistant Powder Coated Paint

Fasteners

Tamper-proof security screws

Other Features

Custom lengths - specify in inches

Custom hole pattern

Dutch door hinges - suffix "DDP"

Hospital tips - suffix "HT"

Raised barrel - suffix "RB"

Electrical Modifications

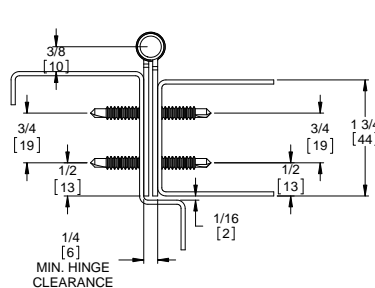
Current Transfer Prep (frame leaf only) - suffix "CTP"

ElectroLynx®

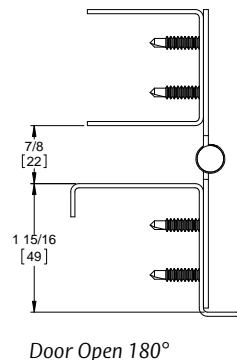
EL4 (4 wire), EL8 (8 wire), EL12 (12 wire)

PoE (9 wire)

This edge-mounted pin & barrel hinge is used on many traffic, high abuse interior doors. The hinge works well in locations that used anchor hinges, pivot reinforced hinges, or thrust pivot unit and hinge sets. This hinge saves on special door and frame preparation charges. It can be used on both fire labeled and non-labeled openings.



Door Closed



Door Open 180°

800-824-3018 | www.assaabloydooraccessories.us

Check the web site for the up-to-date catalog

Copyright © 2015-2021, ASSA ABLOY Accessories and Door Controls Group, Inc., an ASSA ABLOY Group company. All rights reserved. Reproduction in whole or in part without the express written permission of ASSA ABLOY Accessories and Door Controls Group, Inc. is prohibited.

ASSA ABLOY
Opening Solutions

Experience a safer
and more open world

Markar FS201 1/8" Inset Full Surface Hinge

Standard Features

Barrel Type Hinge
 .187" diameter stainless steel pin (rod)
 Medical bearing
 Stainless steel end pins
Material
 Heavy-duty 14 gauge 1012 carbon steel
Finishes
 Zinc Plated
Standards
 ANSI/BHMA Standard A156.26 Grade 1
Mounting Hardware
 No exposed mounting fasteners
 1/4-14 x 3/4 Security TORX TEK Screws

Capacity
 Supports weights up to 600lbs.
 4'0" maximum door width
Standard Sizes
 6'8", 7'0", 7'2", 8'0", 10'0"
Handing
 Not required for standard 7'0",
 8'0" or 10'0". Specify handing
 for 6'8" and 7'2" and for most
 optional features

Fire Rating
 3 hours- hollow metal doors
 90 minutes- hollow metal and
 composite core wood fire doors
 20 minutes- wood doors



Classified in accordance
 with UL10C for positive
 pressure



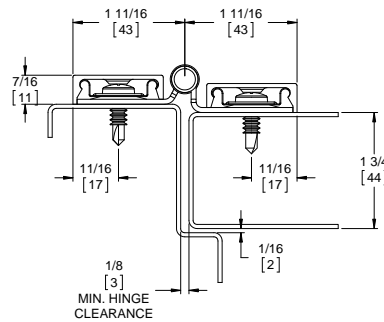
Fire-rated label

Optional Features

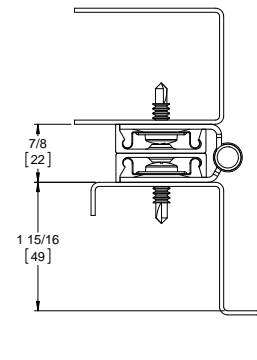
Finish
 Scratch-Resistant Powder Coated Paint
Fasteners
 1 5/8" S.S. sleeve bolts
 Tamper-proof security screws

Other Features
 Custom lengths - specify in inches
 Custom hole pattern
 Dutch door hinges - suffix "DDP"
 Hospital tips - suffix "HT"
 Lead-lined cover with 4 lbs. lead
 lining - suffix "LL"

This surface-mounted pin & barrel continuous hinge can be used to repair and replace existing hinges on both fire-labeled and non-labeled doors that have very tight clearances. The hinge has a built-in 1/8" inset to assist in weather seal and sound barrier areas.



Door Closed



Door Open 180°

ASSA ABLOY
 Opening Solutions

Experience a safer
 and more open world

800-824-3018 | www.assaabloydooraccessories.us
 Check the web site for the up-to-date catalog

Copyright © 2015-2021, ASSA ABLOY Accessories and Door Controls Group, Inc., an ASSA ABLOY Group company. All rights reserved. Reproduction in whole or in part without the express written permission of ASSA ABLOY Accessories and Door Controls Group, Inc. is prohibited.

Markar FS202 Full Surface Flush Mount Hinge

Standard Features

Barrel Type Hinge
 .187" diameter stainless steel pin (rod)
 Medical bearing
 Stainless steel end pins
Material
 Heavy-duty 14 gauge 1012 carbon steel
Finishes
 Zinc Plated
Standards
 ANSI/BHMA Standard A156.26 Grade 1
Mounting Hardware
 No exposed mounting fasteners
 1/4-14 x 3/4 Security TORX
 TEK Screws

Capacity
 Supports weights up to 600lbs.
 4'0" maximum door width
Standard Sizes
 6'8", 7'0", 7'2", 8'0", 10'0"
Decorative Fastener Covers
 Aluminum
Handing
 Not required for standard 7'0",
 8'0" or 10'0". Specify handing
 for 6'8" and 7'2" and for most
 optional features

Fire Rating
 3 hours- hollow metal doors
 90 minutes- hollow metal and
 composite core wood fire doors
 20 minutes- wood doors



Classified in accordance
 with UL10C for positive
 pressure

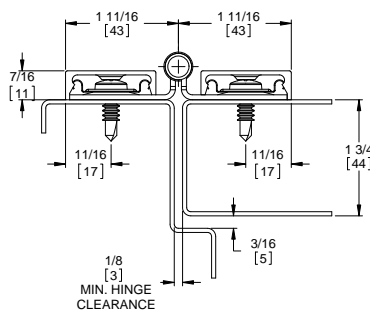
Fire-rated label

Optional Features

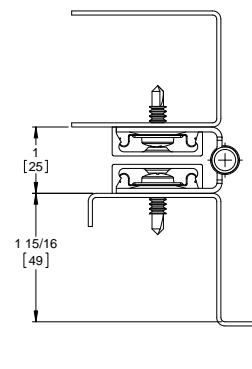
Finish
 Scratch-Resistant Powder Coated Paint
Fasteners
 1 5/8" S.S. sleeve bolts
 Tamper-proof security screws

Other Features
 Custom lengths - specify in inches
 Custom hole pattern
 Dutch door hinges - suffix "DDP"
 Hospital tips - suffix "HT"
 Lead-lined cover with 4 lbs. lead
 lining - suffix "LL"

For flush doors. This surface-mounted pin & barrel continuous hinge can be used to repair and replace existing hinges on both fire-labeled and non-labeled doors that have very tight clearances.



Door Closed



Door Open 180°

Markar HS203 Half Surface

Standard Features

Barrel Type Hinge
 .187" diameter stainless steel pin (rod)
 Medical bearings
 Stainless steel end pins
Material
 Heavy-duty 14 gauge 1012 carbon steel
 Cover - extruded aluminum
Finishes
 Zinc Plated
 Cover - Mill Finish
Standards
 ANSI/BHMA Standard A156.26 Grade 1
Mounting Hardware
 No exposed mounting fasteners
 Custom 12-24 x 11/16" S.S Phillips Flat Head
 Undercut TEK Screws
 1/4-14 x 3/4 Security TORX TEK Screws

Capacity
 Supports weights up to 600lbs.
 4'0" maximum door width
Standard Sizes
 6'8", 7'0", 7'2", 8'0", 10'0"
Hole Pattern
 Symmetrically templated
Handing
 Not required for standard 7'0",
 8'0" or 10'0". Specify handing
 for 6'8" and 7'2" and for most
 optional features

Fire Rating
 3 hours- hollow metal doors
 90 minutes- hollow metal and
 composite
 20 minutes- wood doors
 Classified in accordance
 with UL10C for positive
 pressure
 Fire-rated label

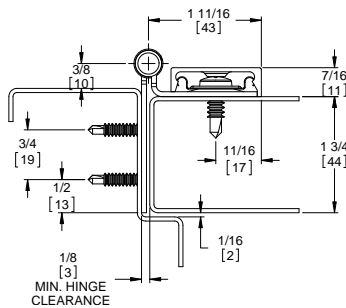
Optional Features

Finishes
 Scratch-Resistant Powder Coated Paint
Fasteners
 1 5/8" steel sleeve bolts
 Tamper-proof security screws

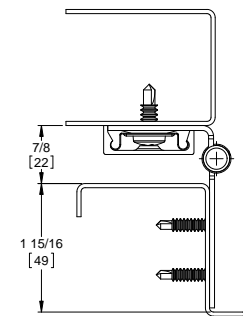
Other Features
 Custom lengths - specify in inches
 Custom hole pattern
 Dutch door hinges - suffix "DDP"
 Hospital tips - suffix "HT"
 Raised barrel - suffix "RB"
 Lead-lined cover with 4 lbs. lead
 lining - suffix "LL"

Electrical Modifications
 Current Transfer Prep (frame leaf only)
 - suffix "CTP"

This half-surface pin & barrel continuous hinge can be used to repair and replace existing hinges on both fire-labeled and non-labeled openings. The hinge fits into the gap left after standard butt hinges are removed. It can assist in reversing the handing of a door, or to reverse the swing of a door hung in an evenly-rabbetted frame. (Please contact the factory for instructions for unevenly-rabbetted frames.)



Door Closed



Door Open 180°

ASSA ABLOY
 Opening Solutions

Experience a safer
 and more open world

800-824-3018 | www.assaabloydooraccessories.us
 Check the web site for the up-to-date catalog

Copyright © 2015-2021, ASSA ABLOY Accessories and Door Controls Group, Inc., an ASSA ABLOY Group company. All rights reserved. Reproduction in whole or in part without the express written permission of ASSA ABLOY Accessories and Door Controls Group, Inc. is prohibited.

Markar HM204 Half Mortise Hinge



Standard Features

Barrel Type Hinge
 .187" diameter stainless steel pin (rod)
 Medical bearings
 Stainless steel end pins
 Material
 Heavy-duty 14 gauge 1012 carbon steel
 Cover - extruded aluminum
 Finishes
 Zinc Plated
 Cover - Mill Finish
 Standards
 ANSI/BHMA Standard A156.26 Grade 1

Mounting Hardware
 Fasteners concealed when door is closed
 Custom 12-24 x 11/16" S.S Phillips Flat Head Undercut TEK Screws
 1/4"-14 x 3/4 Security TORX TEK Screws
 Capacity
 Supports weights up to 600lbs.
 4'0" maximum door width
 Standard Sizes
 6'8", 7'0", 7'2", 8'0", 10'0"
 Hole Pattern
 Symmetrically templated

Handing
 Not required for standard 7'0", 8'0" or 10'0". Handing required for 6'8" and 7'2" and for most optional features listed

Fire Rating
 3 hours- hollow metal doors
 90 minutes- hollow metal and composite
 20 minutes- wood doors

 Classified in accordance with UL10C for positive pressure
 Fire-rated label

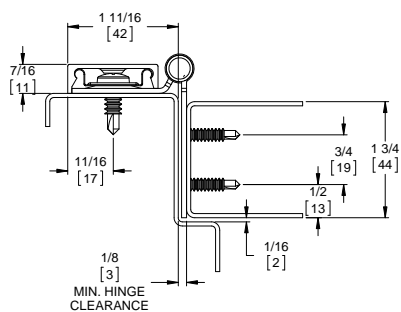
Optional Features

Finishes
 Scratch-Resistant Powder Coated Paint
 Fasteners
 Tamper-proof security screws

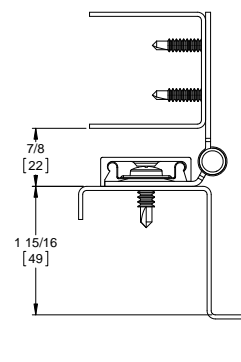
Other Features
 Custom lengths- specify in inches
 Custom hole pattern
 Dutch door hinges- suffix "DDP"
 Hospital tips - suffix "HT"
 Raised barrel - suffix "RB"
 Welded end pins

Electrical Modifications
 Current Transfer Prep (door leaf only)
 - suffix "CTP"

This pin & barrel type hinge is used on wooden doors to hide splits, chips and dents from traffic abuse. The surface mounted frame leaf allows for easy retrofit installation.



Door Closed



Door Open 180°

Markar 100 Series Aluminum Pin & Barrel Continuous Hinges

Short Form Architectural Specification:

Continuous hinges shall be full height piano-type hinge providing full height door support.

- Supports weights up to 600 lbs. 4'0" maximum door width
- Material to be extruded aluminum 6063-T6 alloy
- .187" diameter stainless pin (rod)
- Each knuckle 2", including nylon bearing at each separation for a quiet, smooth, self-lubricating operation
- Finish: Clear Anodized (628), Dark Bronze Anodized (313)
Optional Finish: Light Bronze Anodized (311), Black Anodized (315), Scratch-Resistant Powder Coated Paint. Other finishes available upon request.
- All hinges shall be furnished with manufacturer's recommended hardware pack per specific model application
- Exterior barrel diameter .515" (1/2")
- Material thickness less than .125"
- Material weight will be no less than 1.5 lbs. per foot
- Hinges shall meet ANSI/BHMA Standard A 156.26 Grade 2
- Symmetrically templated hole pattern

NOTE: 25-Year Warranty on all Continuous Pin & Barrel Hinges

Markar FM100 Edge Mount Hinge

Standard Features

Barrel Type Hinge
.187" diameter stainless steel pin (rod)
Medical bearings
Aluminum end pins
Material
6063-T6 aluminum alloy
Finishes
Clear Anodized (628)
Dark Bronze Anodized (313)

Standards
ANSI/BHMA Standard A156.26
Grade 2
Mounting Hardware
Fasteners concealed when door is closed
Custom 12-24 x 1 1/16" S.S Phillips Flat Head Undercut TEK Screws
Capacity
Supports weights up to 600lbs.
4'0" maximum door width

Standard Sizes
6'8", 7'0", 7'2", 8'0"
Hole Pattern
Symmetrically templated
Handing
Handing not required on standard hinges. Specify handing when ordering a hinge with modification
Windstorm
Evaluated in accordance with TAS 201-14, TAS 202-14, TAS 203-14, ASTM E330, ASTM E1886, ASTM E1996 and ANSI A250.13.

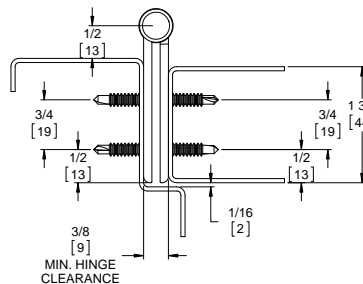
Optional Features

Finishes
Light Bronze Anodized (311)
Black Anodized (315)
Scratch-Resistant Powder Coated Paint

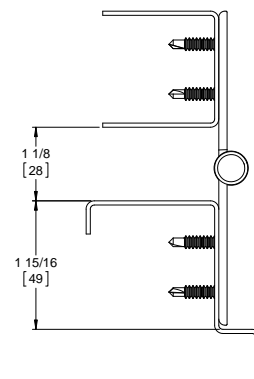
Other Features
Custom lengths - specify in inches
Custom hole pattern
Dutch door hinges - suffix "DDP"
Hospital tips - suffix "HT"

Electrical Modifications
Current Transfer Prep - suffix "CTP"
Electrical Transfer Access Prep - suffix "ETAP"
ElectroLynx®
EL4 (4 wire), EL8 (8 wire), EL12 (12 wire)
PoE (9 wire)

This door-edge mounted aluminum pin & barrel type hinge is extruded using 30% more aluminum than most geared hinges, giving it exceptional strength and durability. This product is specified in lieu of pivots or butt hinges due to its unique design which distributes the weight of the door down the entire length of the hinge.



Door Closed



Door Open 180°

ASSA ABLOY
Opening Solutions

Experience a safer
and more open world

800-824-3018 | www.assaabloydooraccessories.us
Check the web site for the up-to-date catalog

Copyright © 2015-2021, ASSA ABLOY Accessories and Door Controls Group, Inc., an ASSA ABLOY Group company. All rights reserved. Reproduction in whole or in part without the express written permission of ASSA ABLOY Accessories and Door Controls Group, Inc. is prohibited.

Markar FS101 1/8" Inset Full Surface Hinge

Standard Features

Barrel Type Hinge
 .187" diameter stainless steel pin (rod)
 Medical bearings
 Aluminum end pins
 Material
 6063-T6 aluminum alloy
 Finishes
 Clear Anodized (628)
 Dark Bronze Anodized (313)

Standards
 ANSI/BHMA Standard A156.26 Grade 2
 Mounting Hardware
 No exposed mounting fasteners
 1/4-14 x 3/4" Security TORX TEK Screws
 Capacity
 Supports weights up to 600lbs.
 4'0" maximum door width
 Standard Sizes
 6'8", 7'0", 7'2", 8'0"

Locking Security Covers
 Brushed aluminum finish
 Handing
 Not required for standard 7'0" and 8'0". Handing required for 6'8" and 7'2" and for most optional features listed

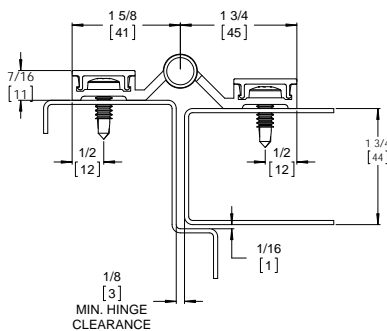
Optional Features

Finishes
 Light Bronze Anodized (311)
 Black Anodized (315)
 Scratch-Resistant Powder Coated Paint
 Fasteners
 1 5/8" aluminum sleeve bolts
 Tamper-proof security screws

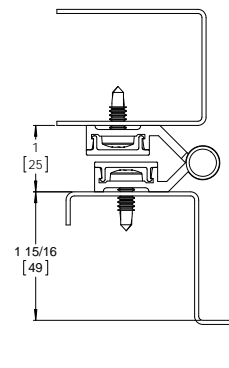
Other Features
 Custom lengths - specify in inches
 Custom hole pattern
 Dutch door hinges - suffix "DDP"
 Hospital tips - suffix "HT"
 Lead lined cover with 4 lbs. lead lining - suffix "LL"

Electrical Modifications
 Electrical Transfer Access Prep - suffix ETAP
 ElectroLynx®
 EL4 (4 wire), EL8 (8 wire), EL12 (12 wire)
 PoE (9 wire)

This surface-mounted pin & barrel type continuous hinge is the correct hinge to solve door sag problems. The 1/8" inset allows perfect alignment for retrofitting hollow metal, wood or aluminum doors within the existing conditions - no need to readjust your weather-stripping!



Door Closed



Door Open 180°

Markar FS102 Full Surface Flush Mount Hinge

Standard Features

Barrel Type Hinge
 .187" diameter stainless steel pin (rod)
 Medical bearings
 Aluminum end pins
 Material
 6063-T6 aluminum alloy
 Finishes
 Clear Anodized (628)
 Dark Bronze Anodized (313)

Standards
 ANSI/BHMA Standard A156.26 Grade 2
 Mounting Hardware
 Fasteners concealed when door is closed
 Capacity
 1/4-14 x 3/4" Security TORX TEK Screws
 Capacity
 Supports weights up to 600lbs.
 4'0" maximum door width

Standard Sizes
 6'8", 7'0", 7'2", 8'0"
 Locking Security Covers
 Brushed aluminum finish
 Handing
 Not required for standard 7'0" or 8'0".
 Handing required for 6'8" and 7'0" and for most optional features listed

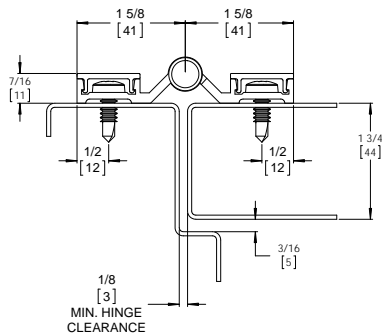
Optional Features

Finish
 Light Bronze Anodized (311)
 Black Anodized (315)
 Scratch-Resistant Powder Coated Paint
 Fasteners
 1 5/8" aluminum sleeve bolts
 Tamper-proof security screws

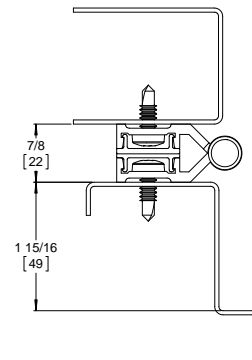
Other Features
 Custom lengths - specify in inches
 Custom hole pattern
 Dutch door hinges - suffix "DDP"
 Hospital tips - suffix "HT"
 Lead lined cover with 4 lbs. lead lining
 - suffix "LL"

Electrical Modifications
 Electrical Transfer Access Prep - suffix ETAP
 ElectroLynx®
 EL4 (4 wire), EL8 (8 wire), EL12 (12 wire)
 PoE (9 wire)

For flush-mounted doors. This surface-mounted pin & barrel type continuous hinge is for flush-mounted doors for solving your door sag problems. This unit works well on all types of aluminum, wood and hollow metal door applications. The hinge also features tamper-resistant cover caps to prevent vandalism or break-ins.



Door Closed



Door Open 180°

ASSA ABLOY
 Opening Solutions

Experience a safer
 and more open world

800-824-3018 | www.assaabloydooraccessories.us
 Check the web site for the up-to-date catalog

Copyright © 2015-2021, ASSA ABLOY Accessories and Door Controls Group, Inc., an ASSA ABLOY Group company. All rights reserved. Reproduction in whole or in part without the express written permission of ASSA ABLOY Accessories and Door Controls Group, Inc. is prohibited.

Markar HS103 Half Surface Hinge

Standard Features

Barrel Type Hinge
 .187" diameter stainless steel pin (rod)
 Medical bearings
 Aluminum end pins
 Material
 6063-T6 aluminum alloy
 Finishes
 Clear Anodized (628)
 Dark Bronze Anodized (313)
 Standards
 ANSI/BHMA Standard A156.26 Grade 2

Mounting Hardware
 Fasteners concealed when door is closed
 Custom 12-24 x 1 1/16" S.S Phillips Flat Head Undercut TEK Screws & 1/4-14 x 3/4" Security TORX TEK Screws
 Capacity
 Supports weights up to 600lbs.
 4'0" maximum door width
 Standard Sizes
 6'8", 7'0", 7'2", 8'0"

Locking Security Covers
 Brushed aluminum finish
 Handing
 Not required for standard 7'0" or 8'0". Specify handing for 6'8" and 7'2" and for most optional features

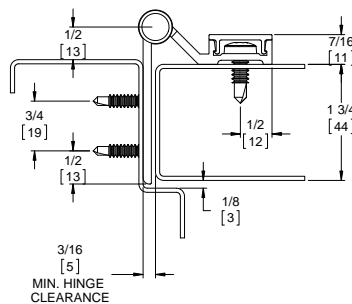
Optional Features

Finish
 Light Bronze Anodized (311)
 Black Anodized (315)
 Scratch-Resistant Powder Coated Paint
 Fasteners
 1 5/8" aluminum sleeve bolts
 Tamper-proof security screws

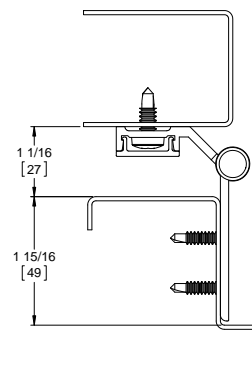
Other Features
 Custom lengths- specify in inches
 Custom hole pattern
 Dutch door hinges- suffix "DDP"
 Hospital tips – suffix "HT"
 Lead lined cover with 1/16" lead lining - suffix "LL"

Electrical Modifications
 Current Transfer Prep (frame leaf only) - suffix "CTP"
 Electrical Transfer Access Prep - suffix ETAP
 ElectroLynx®
 EL4 (4 wire), EL8 (8 wire), EL12 (12 wire)
 PoE (9 wire)

This half-surface aluminum pin & barrel hinge can be used to repair doors that need the frame reinforced. This hinge can also be used on openings that have too large a gap between the door and frame. The hinge is edge mounted on the frame and surface mounted on the door.



Door Closed



Door Open 180°

Markar HM104 Half Mortise Hinge

Standard Features

Barrel Type Hinge
 .187" diameter stainless steel pin (rod)
 Medical bearings
 Aluminum pins
Material
 6063-T6 aluminum alloy
Finishes
 Clear Anodized (628)
 Dark Bronze Anodized (313)
Standards
 ANSI/BHMA Standard A156.26 Grade 2

Mounting Hardware
 Fasteners concealed when door is closed
 Custom 12-24 x 1¹/₁₆" S.S Phillips Flat Head Undercut TEK Screws & 1¹/₄-14 x 3³/₄" Security TORX TEK Screws
Capacity
 Supports weights up to 600lbs.
 4'0" maximum door width
Standard Sizes
 6'8", 7'0", 7'2", 8'0"

Locking Security Covers
 Brushed aluminum finish
Handing
 Not required for standard 7'0" or 8'0".
 Specify handing for 6'8" and 7'2" and for most optional features

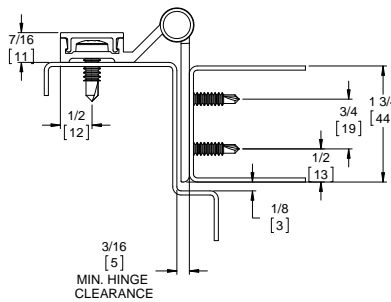
Optional Features

Finish
 Light Bronze Anodized (311)
 Black Anodized (315)
 Scratch-Resistant Powder Coated Paint
Fasteners
 1⁵/₈" aluminum sleeve bolts
 Tamper-proof security screws

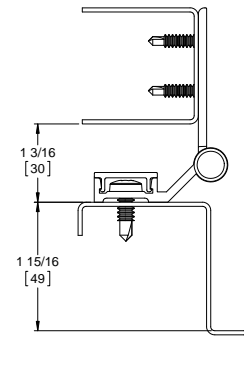
Other Features
 Custom lengths - specify in inches
 Custom hole pattern
 Dutch door hinges - suffix "DDP"
 Hospital tips - suffix "HT"

Electrical Modifications
 Current Transfer Prep (door leaf only) - suffix "CTP"
 Electrical Transfer Access Prep - suffix ETAP
 ElectroLynx®
 EL4 (4 wire), EL8 (8 wire), EL12 (12 wire)
 PoE (9 wire)

This pin & barrel type hinge is used on wooden doors to hid splits, chips and dents from traffic abuse. The surface mounted frame leaf allows for easy installation.



Door Closed



Door Open 180°

ASSA ABLOY
 Opening Solutions

Experience a safer
 and more open world

800-824-3018 | www.assaabloydooraccessories.us
 Check the web site for the up-to-date catalog

Copyright © 2015-2021, ASSA ABLOY Accessories and Door Controls Group, Inc., an ASSA ABLOY Group company. All rights reserved. Reproduction in whole or in part without the express written permission of ASSA ABLOY Accessories and Door Controls Group, Inc. is prohibited.

Markar HG105 Adjustable Hinge Guard

Standard Features

Barrel Type Hinge
 .187" diameter stainless steel pin (rod)
 Medical bearings
 Aluminum end pins
 Material
 6063-T6 aluminum alloy
 Finishes
 Clear Anodized (628)
 Dark Bronze Anodized (313)
 Standards
 ANSI/BHMA Standard A156.26 Grade 2

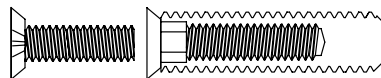
Mounting Hardware
 No exposed mounting fasteners when door is closed
 Custom 12-24 x 1 1/16" S.S Phillips Flat Head Undercut TEK Screws
 Capacity
 Supports weights up to 600lbs.
 4'0" maximum door width
 Standard Sizes
 6'8", 7'0", 7'2", 8'0"

Hole Pattern
 Symmetrically templated
 Handing
 Not required for standard 7'0" or 8'0".
 Handing required for 6'8" and 7'2" and for most optional features listed

Optional Features

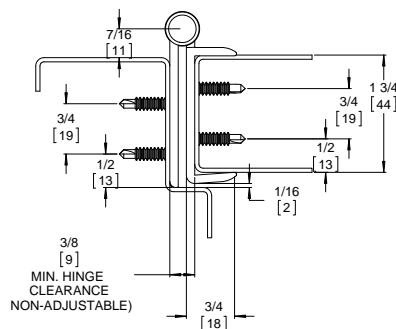
Finishes
 Light Bronze Anodized (311)
 Black Anodized (315)
 Scratch-Resistant Powder Coated Paint
 Other Features
 Custom lengths - specify in inches
 Custom hole pattern
 Dutch door hinges - suffix "DDP"
 Hospital tips - suffix "HT"

Fasteners
 Tamper-proof security screws
 Adjust-A-Screw™ for correcting frame fit problems up to 3/8"

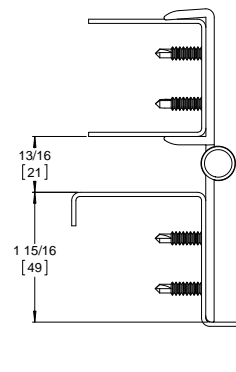


Electrical Modifications
 Current Transfer Prep - suffix "CTP"
 ElectroLynx®
 EL4 (4 wire), EL8 (8 wire), EL12 (12 wire)
 PoE (9 wire)

This pin & barrel edge-mounted hinge can be used in conjunction with automatically operated aluminum doors that have heavy cart traffic. Ideal for both commercial and institutional doors, shipping and receiving doors, as well as storefronts where door edge protection is critical.



Door Closed



Door Open 180°

Markar 1000 Series Aluminum Pin & Barrel Continuous Hinges

Short Form Architectural Specification:

Continuous hinges shall be full height piano-type hinge providing full height door support.

- Supports weights up to 600 lbs. 4'0" maximum door width
- Material to be extruded aluminum 6063-T6 alloy
- .250" diameter stainless pin (rod)
- Each knuckle 4", including nylon bearing at each separation for a quiet, smooth, self-lubricating operation
- Finish: Clear Anodized (628)
Optional Finish: Light Bronze Anodized (311), Dark Bronze Anodized (313) Black Anodized (315), Scratch-Resistant Powder Coated Paint. Other finishes available upon request.
- All hinges shall be furnished with manufacturer's recommended hardware pack per specific model application
- Exterior barrel diameter .750" (3/4")
- Hinges certified ANSI/BHMA Standard A 156.26 Grade 1
- Symmetrically templated hole pattern

NOTE: 25-Year Warranty on all Continuous Pin & Barrel Hinges

Markar DSH1000 Double Swing Hinge

Standard Features

Barrel Type Hinge
.250" diameter stainless steel pin (rod)
Medical bearings
Material
6063-T6 aluminum alloy
Finishes
Clear Anodized (628)
Order form required, available online.

Standards
ANSI/BHMA Standard A156.26
Grade 1
Mounting Hardware
12-24 x 1 1/16" Torx Flat
Head Undercut TEK Screws
#12-8 Torx Flat Head Particle
Board Screw
Capacity
Supports weights up to 600lbs.
4'0" maximum door width

Standard Sizes
7'0", 8'0"
Hole Pattern
Symmetrically templated
Handing
Handing not required
CMS Compliant
Eliminating additional ligature points
ensures compliance for reimbursement
through CMS (Centers for Medicare and
Medicaid Services)

Optional Features

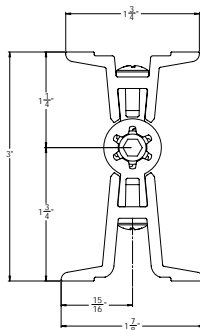
Finishes
Light Bronze Anodized (311)
Dark Bronze Anodize (313)
Black Anodized (315)
Scratch-Resistant Powder Coated
Paint

Other Features
Custom lengths - specify in inches
Custom hole pattern

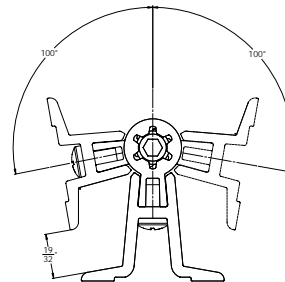
Electrical Modifications
ElectroLynx®
SER4 (4 wire), SER8 (8 wire), SER12 (12 wire)

This door edge mounted aluminum pin & barrel type hinge has a unique feature that allows the door to swing in either direction up to 100°. When used in conjunction with Pemko Emergency Release Stop (ERS) provides an anti-barricade system

*The Double Swing Hinge and Emergency Release Stop are accepted by the **New York State Office of Mental Health (OMH)** for use in high risk areas.*



Door Closed



Door Open 100° Either Direction

ASSA ABLOY
Opening Solutions

Experience a safer
and more open world

800-824-3018 | www.assaabloydooraccessories.us
Check the web site for the up-to-date catalog

Copyright © 2015-2021, ASSA ABLOY Accessories and Door Controls Group, Inc., an ASSA ABLOY Group company. All rights reserved. Reproduction in whole or in part without the express written permission of ASSA ABLOY Accessories and Door Controls Group, Inc. is prohibited.

Markar 900 Series Spring Loaded Pin & Barrel Type Continuous Stainless Steel Hinges

Short Form Architectural Specification:

Continuous hinges shall be full height piano-type hinge providing full height door support.

- Supports weights up to 80 lbs. 3'0" maximum door width
- Material to be 14 gauge stainless steel
- Patented .25" diameter 303 stainless steel self closing pin assembly
- Exterior barrel diameter .438" (7/16")
- Adjustable, tamper resistant Torx Head end caps
- Each knuckle 2", including split nylon bearing at each separation for a quiet, smooth, self-lubricating operation
- Finish: US32D Satin Stainless Steel (630)
Optional Finish: US32 Bright Stainless Steel (629)
- Non-Handed
- All hinges shall be furnished with manufacturer's recommended hardware pack per specific model application
- Removable roll pin for spring loaded adjustment
- Symmetrically templated hole pattern

NOTE: 10-Year Warranty

Markar FM900 Edge Mount

Standard Features

Spring-Loaded Barrel Type Hinge
 .25" diameter stainless steel pin with stainless steel spring mechanism
 Torx tip cap to adjust spring tension
 Split nylon bearings
 Material
 Heavy-duty 14 gauge stainless steel
 Finishes
 US32D Satin Stainless Steel (630)

Torx Adjusting Screw
 Adjust tension on door to close tightly for out-swinging ADA compliance
 Mounting Hardware
 Custom 12-24 x 11/16" S.S Phillips Flat Head Undercut TEK Screws
 Capacity
 Close door weighing up to 80 lbs.

Sizes
 54", 57"
 Non-Handed
 Use the same hinge for right- or left-handed doors
 For Doors over 3'0" consult factory
 USA patent no. 4823437
 Canadian patent no. 1303804

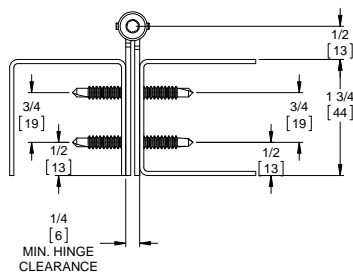
Optional Features

Finishes
 US32 Bright Stainless Steel (629)
 Scratch-Resistant Powder Coated Paint

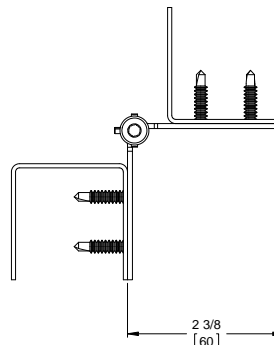
Fasteners
 Tamper-proof security screws

Other Features
 Custom lengths -Custom sizes 24" to 72" available
 Custom hole pattern

Ideal for damp or corrosive environments, Markar's stainless steel toilet partition hinge adds years of life to your high-quality partition.



Door Closed



Door Open 90°

800-824-3018 | www.assaabloydooraccessories.us
 Check the web site for the up-to-date catalog

Copyright © 2015-2021, ASSA ABLOY Accessories and Door Controls Group, Inc., an ASSA ABLOY Group company. All rights reserved.
 Reproduction in whole or in part without the express written permission of ASSA ABLOY Accessories and Door Controls Group, Inc. is prohibited.

ASSA ABLOY
 Opening Solutions

Experience a safer
 and more open world

Markar FS902 Flush Full Surface Hinge

Standard Features

Spring-Loaded Barrel Type Hinge
 .25" diameter stainless steel pin with stainless steel spring mechanism
 Torx tip cap to adjust spring tension
 Split nylon bearings

Material

Heavy-duty 14 gauge stainless steel
 Covers - extruded aluminum

Finishes

US32D Satin Stainless Steel (630)
 Covers - Brushed Aluminum

Torx Adjusting Screw
 Adjust tension on door to close tightly for out-swinging ADA compliance

Mounting Hardware

1/4" x 20 pan head machine screws
 Concealed by cover caps

Capacity

Close door weighing up to 80 lbs.

Sizes

54", 57"

Non-Handed

Use the same hinge for right- or left-handed doors

For Doors over 3'0" consult factory

USA patent no. 4823437

Canadian patent no. 1303804

Optional Features

Finishes

US32 Bright Stainless Steel (629)
 Scratch-Resistant Powder Coated Paint

Fasteners

Tamper-proof security screws

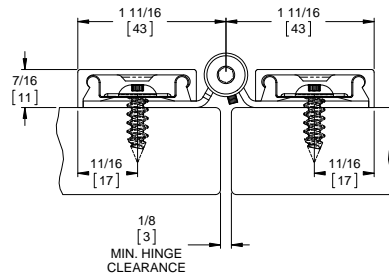
Ideal for damp or corrosive environments, Markar's stainless steel toilet partition hinge adds years of life to your high-quality partition.

Other Features

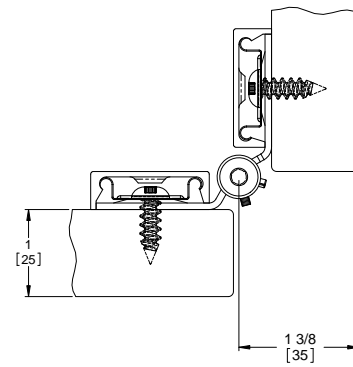
Custom lengths - Custom sizes

24" to 72" available

Custom hole pattern



Door Closed



Door Open 90°

Markar FS910 Flush Full Surface Hinge

Standard Features

Spring-Loaded Barrel Type Hinge
 .25" diameter stainless steel pin with stainless steel spring mechanism
 Torx tip cap to adjust spring tension
 Split nylon bearings

Material

Heavy-duty 14 gauge stainless steel

Finishes

US32D Satin Stainless Steel (630)

Torx Adjusting Screw

Adjust tension on door to close tightly for out-swinging ADA compliance

Mounting Hardware

Custom 12-24 x 11/16" S.S Phillips Flat Head Undercut TEK Screws

Capacity

Close door weighing up to 80 lbs.

Sizes

54", 57"

Non-Handed

Use the same hinge for right- or left-handed doors

For Doors over 3'0" consult factory

USA patent no. 4823437

Canadian patent no. 1303804

Optional Features

Finishes

US32 Bright Stainless Steel (629) Scratch-Resistant Powder Coated Paint

Fasteners

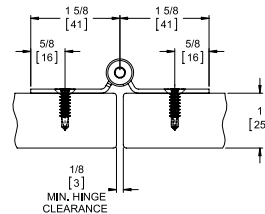
Tamper-proof security screws

Other Features

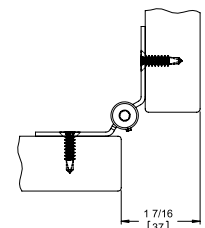
Custom lengths - Custom sizes

24" to 72" available Custom hole pattern

Ideal for damp or corrosive environments, Markar's stainless steel toilet partition hinge adds years of life to your high-quality partition.



Door Open



Door Open

ASSA ABLOY
 Opening Solutions

Experience a safer
 and more open world

800-824-3018 | www.assaabloydooraccessories.us

Check the web site for the up-to-date catalog

Copyright © 2015-2021, ASSA ABLOY Accessories and Door Controls Group, Inc., an ASSA ABLOY Group company. All rights reserved. Reproduction in whole or in part without the express written permission of ASSA ABLOY Accessories and Door Controls Group, Inc. is prohibited.

Markar 400 Series Spring Loaded Pin & Barrel Type Continuous Aluminum Hinges

Short Form Architectural Specification:

Continuous hinges shall be full height piano-type hinge providing full height door support.

- Supports weights up to 80 lbs. 3'0" maximum width
- Material to be extruded aluminum 6063-T6 alloy
- Patented .25" diameter 303 stainless steel self closing pin assembly
- Each knuckle 2", including split nylon bearing at each separation for a quiet, smooth, self-lubricating operation
- Finish: Clear Anodized (628). Other finishes available upon request.
- Adjustable, tamper resistant Torx Head end caps
- Non-handed
- Exterior barrel diameter .515" (1/2")
- Material thickness less than .125"
- Removable roll pin for spring loaded adjustment
- Symmetrically templated hole pattern

NOTE: 10-Year Warranty

Markar FM400 Edge Mount Hinge

Standard Features

Spring-Loaded Barrel Type Hinge
 .25" diameter stainless steel pin with stainless steel spring mechanism
 Torx tip cap to adjust spring tension
 Split nylon bearings
 Material
 6063-T6 aluminum alloy
 Finishes
 Clear Anodized (628)

Torx Adjusting Screw
 Adjust tension on door to close tightly for out-swinging ADA compliance
 Mounting Hardware
 Custom 12-24 x 11/16" S.S Phillips Flat Head Undercut TEK Screws
 Capacity
 Close door weighing up to 80 lbs.

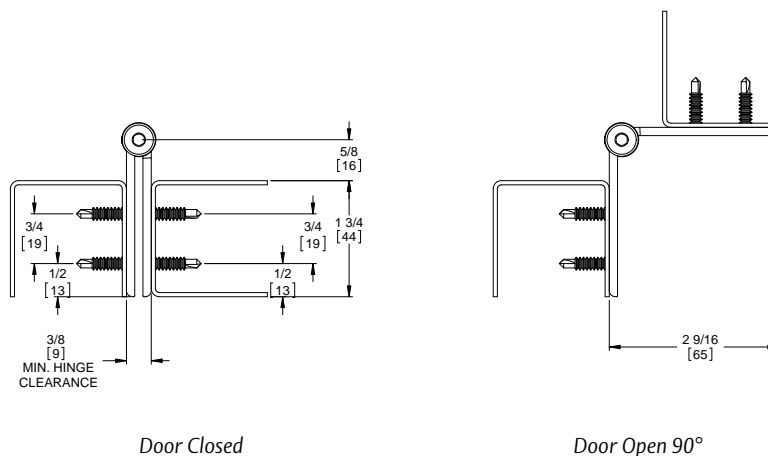
Sizes
 54", 57"
 Non-Handed
 Use the same hinge for right- or left-handed doors
 For Doors over 3'0" consult factory
 USA patent no. 4823437
 Canadian patent no. 1303804

Optional Features

Fasteners
 Tamper-proof security screws
 Finishes
 Scratch-Resistant Powder Coated Paint
 Light Bronze Anodized (311)
 Black Anodized (315)

Other Features
 Custom lengths - Custom sizes
 24" to 72" available
 Custom hole pattern
 Lift-up safety feature

Specify Markar to create the total finished look that your high-quality toilet partition deserves. The Markar continuous spring hinge gives a clean, finished look while virtually eliminating the "sight line" that multi-part systems cause. Continuous hinges also give complete support along the entire length of the partition door.



Markar FS402 Flush Full Surface Hinge

Standard Features

Spring-Loaded Barrel Type Hinge
 .25" diameter stainless steel pin with stainless steel spring mechanism
 Torx tip cap to adjust spring tension
 Split nylon bearings

Material
 6063-T6 aluminum alloy
 Covers - extruded aluminum

Finishes
 Clear Anodized (628)
 Torx Adjusting Screw
 Adjust tension on door to close tightly for out-swinging ADA compliance

Mounting Hardware
 1/4" x 20 pan head pan head machine screws
 Concealed by cover caps

Capacity
 Close door weighing up to 80 lbs.

Sizes
 54", 57"

Non-Handed
 Use the same hinge for right- or left-handed doors
 For Doors over 3'0" consult factory
 USA patent no. 4823437
 Canadian patent no. 1303804

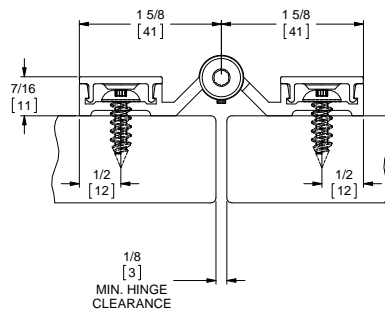
Optional Features

Fasteners
 Tamper-proof security screws

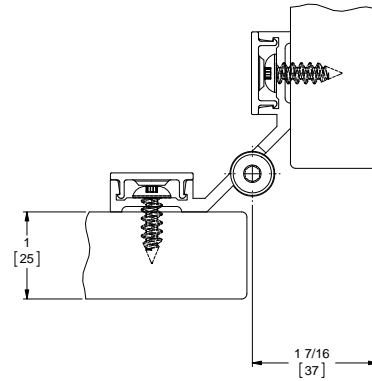
Finishes
 Scratch-Resistant Powder Coated Paint
 Light Bronze Anodized (311)
 Black Anodized (315)

Other Features
 Custom lengths - Custom sizes
 24" to 72" available
 Custom hole pattern
 Lift-up safety feature

Specify Markar to create the total finished look that your high-quality toilet partition deserves. The Markar continuous spring hinge gives a clean, finished look while virtually eliminating the "sight line" that multi-part systems cause. Continuous hinges also give complete support along the entire length of the partition door.



Door Closed



Door Open 90°

ASSA ABLOY
 Opening Solutions

Experience a safer
 and more open world

800-824-3018 | www.assaabloydooraccessories.us
 Check the web site for the up-to-date catalog

Copyright © 2015-2021, ASSA ABLOY Accessories and Door Controls Group, Inc., an ASSA ABLOY Group company. All rights reserved. Reproduction in whole or in part without the express written permission of ASSA ABLOY Accessories and Door Controls Group, Inc. is prohibited.

Markar B1921 & B1923 Full Surface Reinforcing Pivots

This full-surface reinforcing pivot adds years of life to openings where the hinges or hinge reinforcements have failed. An economical way to solve door sag problems, reinforcing pivots take the load off the top hinge and transfer it to screws that will not pull out.

Material:

Heavy Duty $\frac{3}{16}$ " (.187) Cold-Rolled Steel

Finish:

Zinc Plated (US2G)

Mounting:

8 ea. $\frac{1}{4}$ -20 x $\frac{3}{4}$ " Phillips flat head machine screws

8 ea. #14 x $1\frac{1}{4}$ " Phillips flat head sheet metal screws

2 ea. $\frac{1}{4}$ -20 x $1\frac{3}{4}$ " Sleeve bolts

Capacity:

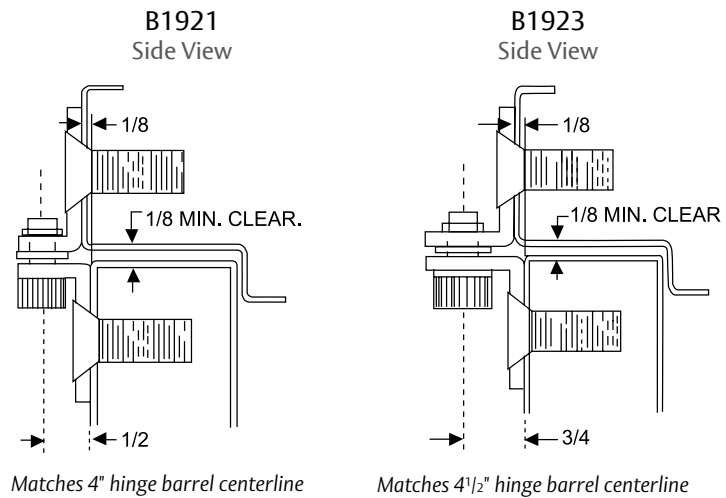
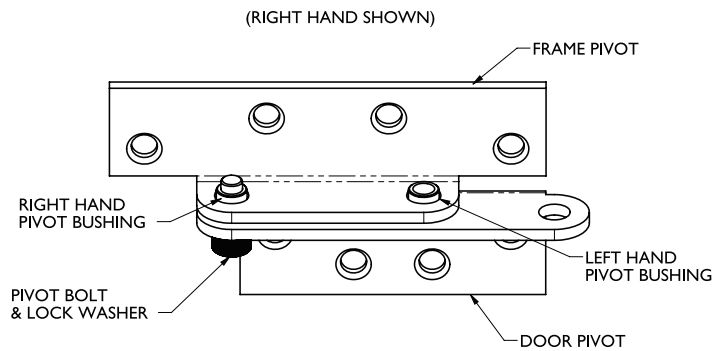
Supports Weights up to 300 lbs.

Hole Pattern:

Symmetrically

Handing:

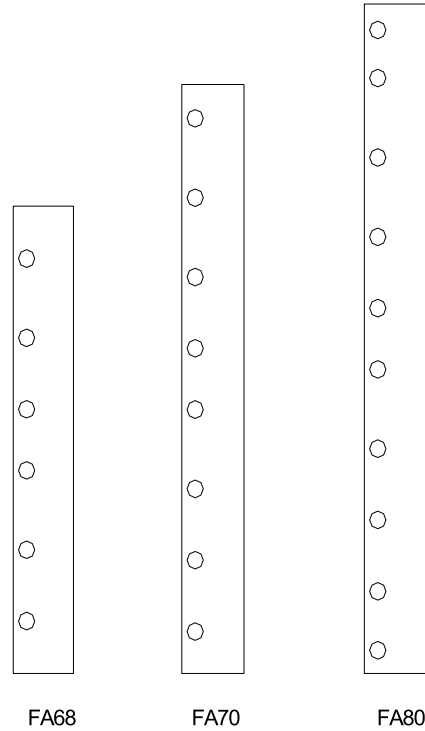
Non-handed



B1921	The B1921 pivot is designed with a $\frac{1}{2}$ " offset to match the pivot point of a 4" wide butt hinge.
B1923	The B1923 pivot is designed with a $\frac{3}{4}$ " offset to match the pivot point of a 4 1/2" wide butt hinge.

Markar Flat Astragals

- For 6'8", 7'0", and 8'0" doors
- Holes are countersunk and equally spaced
- 1/8" x 2" galvanized steel
- 1-pkg. # 6 x 1" F.H.S.M. screws
- Finish – galvanized steel
- Available with thru-bolt option– nine-pack (ZTB-KIT9) or eleven-pack (ZTB-KIT11)



Markkar Universal Screw Packs – Edge Mount Hinges

For hinge models FM100

Screw type	Aluminum	Bronze	6'8"-7'0"-7'2"	8'0"	10'0"
12-24 x 1 ¹ / ₁₆ " Phillips flat head undercut self-drilling Tek screw	TKS1267SP10SS	TKS1267SP10BLR	42	46	54

For hinge models FM200, FM300, HG311, HG315, FM/SC325, FM327, HG329, FM338, FM344, FM600

Screw type	Stainless Steel	6'8"-7'0"-7'2"	8'0"	10'0"
12-24 x 1 ¹ / ₁₆ " Phillips flat head undercut self-drilling Tek screw	TKS1267SP10SS	42	46	54

For hinge/guard model HG105

Screw type	Aluminum	Bronze	6'8"-7'0"-7'2"	8'0"	10'0"
12-24 x 1 ¹ / ₁₆ " Phillips flat head undercut self-drilling Tek screw	TKS1267SP10SS	TKS1267SP10BLR	42	46	54
Adjust-A-Screw™ option	Aluminum	Bronze	6'8"-7'0"-7'2"	8'0"	10'0"
10-32 x 3/4" Phillips flat head undercut machine screw	MS10075SS	MS10075SS	21	23	27
1 ³ / ₈ " Adjust-A-Screw™ with 10-32 internal thread	M26-0031-01	M26-0031-01	21	23	27

For hinge/guard models HG305, HG310, HG322, HG326,

Screw type	Stainless Steel	6'8"-7'0"-7'2"	8'0"	10'0"
12-24 x 1 ¹ / ₁₆ " Phillips flat head undercut self-drilling Tek screw	TKS1267SP10SS	42	46	54
Adjust-A-Screw™ option	Stainless Steel	6'8"-7'0"-7'2"	8'0"	10'0"
10-32 x 3/4" Phillips flat head undercut machine screw	MS10075SS	21	23	27
1 ³ / ₈ " Adjust-A-Screw™ with 10-32 internal thread	M26-0031-01	21	23	27

For hinge/guard model HG323

Screw type	Stainless Steel	6'8"-7'0"-7'2"	8'0"	10'0"
12-24 x 1 ¹ / ₁₆ " Phillips flat head undercut self-drilling Tek screw	TKS1267SP10SS	21	23	27
1/4-20 X 3/4" Truss Head Phillips machine screw	MS14075TSS	9	9	11
1/4-20 x 1 ⁵ / ₈ " sleeve bolt	TB1420SS	9	9	11

For edge/guard models EG308, EGC308, & EGT308

Screw type	Stainless Steel	6'8"-7'0"-7'2"	8'0"	10'0"
#12 x 1 ¹ / ₂ " Phillips flat head undercut sheet metal screw	PBS12150SP10SS	8	10	12
#12-24 x 1 ¹ / ₁₆ " Phillips flat head undercut self-drilling Tek Screw	TKS1267SP10SS	8	10	12

For security hinge models FM3500, FS3501, & FS3502

Screw type	Stainless Steel	6'8"-7'0"-7'2"	8'0"	10'0"
12-24 x 7/16" flat head undercut machine screw	MS1244SP10SS	42	46	54

Markar Universal Screw Packs – Full Surface Hinges

For models FS101, FS102					
Screw type	Aluminum	Bronze	6'8"-7'0"-7'2"	8'0"	10'0"
1/4-14 x 3/4" Torx pan head self-drilling Tek screw	TORX-TKS14075R	TORX-TKS14075R	32	36	40
#8 x 3/4" Phillips flat head Tek screw	TKS8075Z	S323-08R12-663	4	4	4
For models FS201, FS202, FS301, FS302, FS321					
Screw type	Stainless Steel		6'8"-7'0"-7'2"	8'0"	10'0"
1/4-14 x 3/4" Torx pan head self-drilling Tek screw	TORX-TKS14075R		32	36	40
606 Cover clips	M22-0130-01		10	12	16
#8 x 3/4" Phillips flat head Tek screw	TKS8075Z		4	4	4
For swing clear model FS/SC309					
Screw type	Stainless Steel		6'8"-7'0"-7'2"	8'0"	10'0"
12-24 x 11/16" Phillips flat head undercut self-drilling Tek screw	TKS1267SP10SS		22	24	28
1/4-14 x 3/4" Torx Phillips pan head self-drilling Tek screw	TORX-TKS14075R		16	18	20
606 Cover clips	M22-0130-01		5	6	8
#8 x 3/4" Phillips flat head Tek screw	TKS8075Z		2	2	2

Universal Screw Packs – Half Surface & Half Mortise Hinges

For hinge models HS103 & HM104					
Screw type	Aluminum	Bronze	6'8"-7'0"-7'2"	8'0"	10'0"
1/4-14 x 3/4" Torx pan head self-drilling Tek screw	TORX-TKS14075R	TORX-TKS14075R	16	18	10
12-24 x 11/16" Phillips flat head undercut self-drilling Tek screw	TKS1267SP10SS	TKS1267SP10BLR	21	23	27
#8 x 3/4" Phillips flat head Tek screw	TKS8075Z	S323-08R12-663	2	2	2
For hinge models HS203 & HM204					
Screw type	Stainless Steel		6'8"-7'0"-7'2"	8'0"	10'0"
1/4-14 x 3/4" Torx pan head self-drilling Tek screw	TORX-TKS14075R		14	16	20
12-24 x 11/16" Phillips flat head undercut self-drilling Tek screw	TKS1267SP10SS		21	23	27
606 Cover clips	M22-0130-01		5	6	8
#8 x 3/4" Phillips flat head sheet metal screw	TKS8075Z		2	2	2
For hinge models HS303, HM304, & HG306					
Screw type	Stainless Steel		6'8"-7'0"-7'2"	8'0"	10'0"
1/4-14 x 3/4" Torx pan head self-drilling Tek screw	TORX-TKS14075R		14	16	20
12-24 x 3/16" Phillips flat head undercut self-drilling Tek screw	TKS1267SP10SS		21	23	27
606 Cover clips	M22-0130-01		5	6	8
#8 x 3/4" Phillips flat head sheet metal screw	TKS8075Z		2	2	2

Markar Universal Screw Packs – Toilet Partition Hinges

For hinge models FM400

Screw type	Stainless Steel	54"	57"
12-24 x ¹¹ / ₁₆ " Phillips flat head undercut zinc self-drilling Tek screw	TKS1267SP10SS	26	26
³ / ₃₂ " x ³ / ₈ " Stainless Steel roll pin	RLPN33238SS	1	1

For hinge model FS402

Screw type	Stainless Steel	54"	57"
¹ / ₄ -14 x ³ / ₄ " Torx button head sheet metal screw	TORX-TKS14075R	12	12
#8 x ³ / ₄ " TORX flat head self-drilling Tek screw	TORX-TKS8075Z	4	4
³ / ₃₂ " x ³ / ₈ " Stainless Steel roll pin	RLPN33238SS	1	1

For hinge models FM900

Screw type	Stainless Steel	54"	57"
#12-24 x ¹¹ / ₁₆ " Phillips flat head undercut self-drilling Tek screw	TKS1267SP10SS	26	26
³ / ₃₂ " x ³ / ₈ " Stainless Steel roll pin	RLPN33238SS	1	1



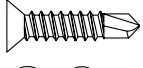



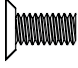

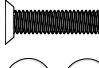

For hinge model FS902

Screw type	Stainless Steel	54"	57"
¹ / ₄ -14 x ³ / ₄ " Torx button head sheet metal screw	TORX-TKS14075R	12	12
606 Cover clips	M22-0130-01	6	6
#8 x ³ / ₄ " TORX flat head self-drilling Tek screw	TORX-TKS8075Z	4	4
³ / ₃₂ " x ³ / ₈ " Stainless Steel roll pin	RLPN33238SS	1	1

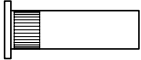
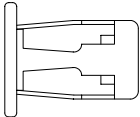
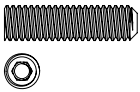
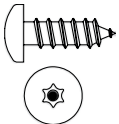
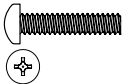
For hinge models FS910

Screw type	Stainless Steel	54"	57"
#12-24 x ¹¹ / ₁₆ " Phillips flat head undercut self-drilling Tek screw	TKS1267SP10SS	26	26
³ / ₃₂ " x ³ / ₈ " Stainless Steel roll pin	RLPN33238SS	1	1

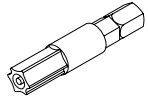
Markar Fasteners

	Product Number	Description	Properties
 		Custom 12-24 x 1¹/₁₆" Phillips Flat Head Undercut Self-Drilling Screw	
	TKS1267SP10SS	For attaching Edge Mounted hinge leaves	Stainless Steel Phillips
	TORX-TKS1267SP10SS	For attaching Edge Mounted hinge leaves	Stainless Steel Torx
 		#8 x 3/4" Flat Head Self Drilling Tek Screw	
	TKS8075Z	For attaching 100, 200, and 300 series covers	Zinc Phillips
	S323-08R12-663	For attaching 100, 200, and 300 series covers	Bronze Phillips
	TORX-TKS8075Z	For attaching 100, 200, and 300 series covers	Zinc Torx
 		Custom #12 x 1¹/₂" Flat Head Undercut Particle Board Screw	
	PBS12150SP10BLR	For edge mounting to wood	Bronze Phillips
	PBS12150SP10SS	For edge mounting to wood	Stainless Steel Phillips
	TORX-PBS12150SP10SS	For edge mounting to wood	Stainless Steel Torx
 		Custom 12-24 x 7/16" Flat Head Undercut Machine Screw	
	MS1244SP10SS	Used with 3500 series hinges for mounting to metal	Stainless Steel Phillips
	TORX-MS1244SP10SS	Used with 3500 series hinges for mounting to metal	Stainless Steel Torx
 		10-32 x 3/4" Flat Head Machine Screw	
	MS10075SS	Used with Adjust-A-Screw	Stainless Steel Phillips
	TORX-MS10075SS	Used with Adjust-A-Screw	Stainless Steel Torx

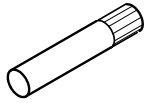
Markar Fasteners

	Product Number	Description	Properties
	TB1420SS	1/4-20 x 1 5/8" Sleeve Bolt For surface mounting to wood	Stainless Steel
	M26-0030	10-24 Security Button Head Barrel Nut For surface mount toilet partition hinges Consult factory for pricing and availability	Stainless Steel
	TORX-BHMS1075SS	10-24 x 3/4" Button Head Security Torx For surface mount toilet partition hinges Consult factory for pricing and availability	Stainless Steel
	M26-0015-02	18 SJN 1/4-20 Molly Jack Nut 7/16" hole	Zinc
	M26-0031-01	1 3/8" Adjust-A-Screw™ with 10-32 Internal Thread and Hex Head Adjustment Used with MS10075SS screw Note: 5/16" pilot hole required for 3/8" - 16 tap	
	TORX-TKS14075R	1/4-14 x 3/4" T-27 Torx Button Head Sheet Metal Screw	Ruspert Coat Torx
	S222-416R16-603	1/4-20 x 1" Pan Head Machine Screw For surface mounting to metal	Zinc Phillips

Markar Tools, Parts and Accessories



Product Number	Description
TORXBIT20	MT-T20, 27, & 15 Torx Driver Bit Used on TORX-MS1244SP10SS, TORX-PBS12150SP10SS and TORX-MS10075SS
TORXBIT27	Used on TORX-TKS14075R16 and to adjust 400 and 900 series spring-loaded hinges
TORXBIT15	Used on TORX-TKS8075Z



RLPN33238SS	Knurl Pin Replacement pin for spring-loaded toilet partition hinges
-------------	--

Cutting Pin & Barrel Hinges to Custom Lengths

Step 1 The following instructions will apply to all Markar pin and barrel hinges except for toilet partition hinges.

The general instructions apply for the 100, 200, 300 and 3500 series hinges. Follow option **A** for specific directions related to 100 series aluminum hinges and option **B** or **C** for specific directions related to 200, 300 & 3500 series steel and stainless steel hinges.

Step 2 Determine the amount the hinge needs to be shortened. Note the hand of the hinge before beginning to lay out your cut. All cuts should be done at the bottom of your hinge assembly so that the gang hole pattern is at the top.

Step 3 Measure from the top of the hinge down and mark a cut line at the desired length.

For 200, 300 & 3500 series hinges, follow the instructions below

- If less than $\frac{3}{4}$ " of knuckle is remaining follow option **B**
- If $\frac{3}{4}$ " or more of knuckle is remaining follow option **C**

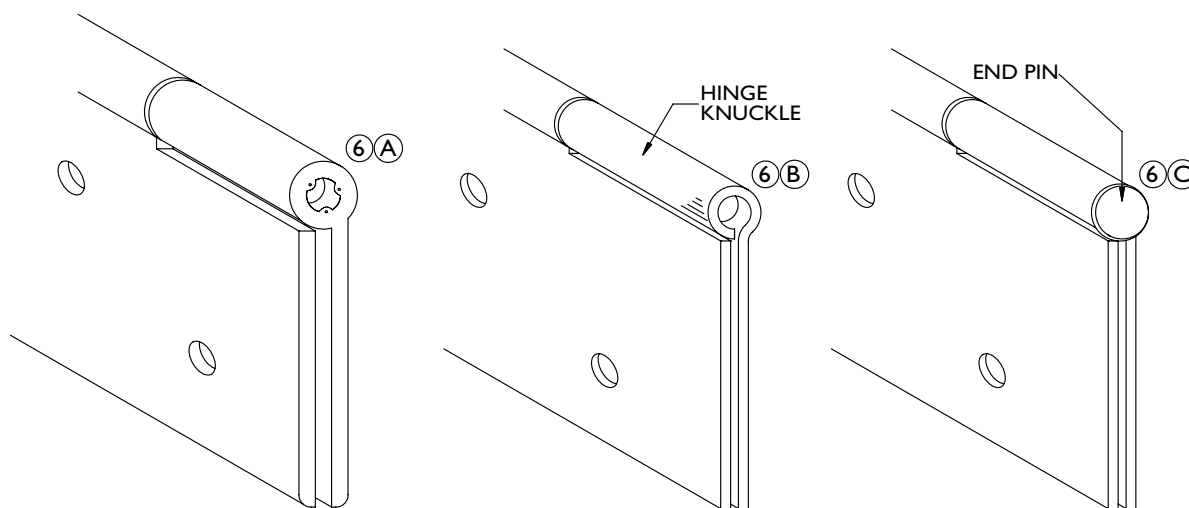
Step 4 Cut the hinge to length with a hacksaw or horizontal band saw, going through each hinge leaf, barrel and rod. If necessary, use a file to remove sharp edges and deburr.

Step 5 Slide the stainless steel rod out approximately 1" making sure the assembly stays together as one unit.

- **A B** Remove $\frac{1}{4}$ " from the rod using hacksaw and then push back into it's original position.
- **C** Remove $\frac{3}{4}$ " from the rod using a hacksaw and then push back into it's original position.

Step 6 Follow instructions below based on option used.

- **A** Using a hammer and a center-punch, swage the aluminum material towards the center of the hole locking the hinge pin into place making sure it will not slide out.
- **B** Using a pair of vice-grips, crimp the end of the steel barrel making sure the hinge pin will not slide out.
- **C** Remove the end of the pin from the scrap hinge and insert it into the bottom of hinge using hammer.



ASSA ABLOY
Opening Solutions

Experience a safer
and more open world

800-824-3018 | www.assaabloydooraccessories.us
Check the web site for the up-to-date catalog

Copyright © 2015-2021, ASSA ABLOY Accessories and Door Controls Group, Inc., an ASSA ABLOY Group company. All rights reserved.
Reproduction in whole or in part without the express written permission of ASSA ABLOY Accessories and Door Controls Group, Inc. is prohibited.

PemkoHinge®

Continuous Geared Aluminum Hinges



CONTENTS:

What is PemkoHinge®?	82
Ordering Chart	82
BHMA Certification Program	83
Hospital Tip	83
Cycle Requirements and Weight Bearing	83
UL Fire Labeling	83
Options for Electrically Modified Continuous Geared Hinges	84
X-Series PemkoHinge®	85
Offset Hinges.....	86
Full Mortise Hinges.....	87
Special Full Mortise Hinges.....	88
Kawneer Full Mortise Hinges.....	89
Raised Gear Hinge.....	89
Full Mortise Safety Hinges.....	90
Wide Throw Full Mortise Hinges.....	91
Wide Throw Half Surface Hinges.....	91
Half Surface Hinges.....	92
Half Mortise Hinges.....	92
Full Surface Hinges.....	93
Full Surface Center Pivot Hinges.....	93
Full Surface Balanced Pivot Hinge.....	93
Full Mortise Residential Hinges.....	94
Firepins™	95
Double Swing Hinge.....	96
Emergency Release Stop.....	96
Power Transfer Units	97

INDEX:

PRODUCT	PAGE	PRODUCT	PAGE	PRODUCT	PAGE
DSH.....	96	FM_SLI.....	87	RS138.....	94
EL-CEPT.....	97	FM_SLISF.....	90	RS175.....	94
EL-EPT.....	97	FS.....	93	SPFM.....	88
EL-EPT-SC.....	97	FS_BP.....	93	SPFM_SLF.....	88
EL-EPTL.....	97	FS_CP.....	93	SPFM_SLI.....	88
ERS.....	96	HM.....	92	WT_FM.....	91
FM.....	87	HS.....	92	WT_HS.....	91
FM_RG.....	89	HS_SF.....	92	XF.....	85
FM_SF.....	90	K_FM.....	89	XI.....	85
FM_SLF.....	87	OS_FM.....	86	XK.....	85
FM_SLF138.....	90	OS_HS.....	86	XM.....	85
				X25M.....	85

NOTE: Products shown in this section may not be drawn to scale

What is PemkoHinge®?

PemkoHinge® consists of two full-height, paired and geared leaves. Each geared leaf rotates evenly from top to bottom riding on proprietary polymer blended bearings. The geared leaves and bearings are held together by a full-length channel cap. This assembly retains the smooth, clean lines of the door and frame, while easily supporting heavy vertical loads.

PemkoHinge®

SECURITY, SAFETY, PRIVACY, LOW WEAR AND TEAR

PemkoHinge® Attributes:

- With a continuous hinge, typical alignment problems (such as door sag and binding) are eliminated
- The continuous hinge distributes load stress uniformly along the full length of the door and frame
- The gear design of the continuous hinge ensures symmetrical operation of each leaf
- ½ lb. or less operating force required to operate most doors, regardless of size
- Low operating force feature makes continuous hinges ideal for doors used by the physically challenged
- The continuous hinge, when installed on standard steel doors and frames, requires no additional reinforcement. However, hinge preps must have fillers installed for proper operation
- A high degree of security can be achieved for exterior openings or restricted spaces by using a continuous hinge. With the geared construction and the full-length channel cap, the common gap between the door and frame is sealed, which provides security against prying
- In addition, the continuous full-height hinge cap protects against pinching fingers in doors in public areas, particularly those where children are present
- Sight proof design of the continuous hinge provides privacy for lavatories, executive offices, or file rooms

PemkoHinge® Superior Design:

- PemkoHinge® has increased critical stress points of the hinge leaf extrusions providing additional strengths and rigidity to the completed product
- PemkoHinge® bearing design eliminates premature wear, guarantees proper alignment, and requires fewer bearings to carry more weight. The bearing is produced for Pemko using a chemical composition and injection process that provides a stronger, more accurately formed bearing
- PemkoHinge® is designed with inter-meshing gear segments in the hinge which provide 50% more bearing surface resulting in less wear
- PemkoHinge® goes through the anodizing process after completing all machining. This means the machined aluminum surfaces that are in direct contact with the bearing have a smoother, harder surface, thereby reducing wear
- PemkoHinge® maintains uniform bearing spacing for the full length of the hinge even when lengths exceed 10'
- Pemko uses self drilling No.12-24 x 11/16" Flat Head Undercut, Type C, thread-forming fasteners, no tapping required
- PemkoHinge® commercial models are ideal for use on lead lined doors (i.e. hospital X-ray rooms), without requiring special screw locations

How To Order (Hinge Part Designations)

Example: D | SPFM | 85 | SLI | HD1

Finishes		Hinge Types		Lengths	Hinge Options		Capacity	
BL	Black Anodized	FM	Full-Mortise	79	"blank"	Standard	"blank"	Standard Duty
C	Clear Anodized	FS	Full-Surface	83	CP	Center Pivot	HD1	Heavy Duty, Grade 1
D	Dark Bronze Anodized	HS	Half-Surface	85	RG	Raised Gear	HD3	Heavy Duty, Grade 3
G	Painted Gold	RS138	Full-Mortise Residential: 1 ³ / ₈ "	95	SF	Safety		
PW	Painted White	RS175	Full-Mortise Residential: 1 ³ / ₄ "	120	SL	Short Leaf (residential only)		
SN	Satin Nickel Anodized	SPFM	Special Full-Mortise		SLF	Short Leaf Flush		
		WT_FM	Wide Throw Full-Mortise		SLI	Short Leaf Inset		
		WT_HS	Half-Surface					

ASSA ABLOY
Opening Solutions

Experience a safer
and more open world

800-824-3018 | www.assaabloydooraccessories.us

Check the web site for the up-to-date catalog

Copyright © 2015-2021, ASSA ABLOY Accessories and Door Controls Group, Inc., an ASSA ABLOY Group company. All rights reserved. Reproduction in whole or in part without the express written permission of ASSA ABLOY Accessories and Door Controls Group, Inc. is prohibited.

BHMA Certification Program

This program was developed to establish product classifications through performance testing. Three grades (1, 2 and 3) of product classifications were established for continuous hinges, with three weight groups (150, 300 and 600) for each grade: Grade 3 being the lowest and Grade 1 being the highest classification. Each classification and weight group has a set of established cycle requirements and wear characteristics, with a minimum for vertical and lateral wear to establish a listing under a weight and grade classification, after the set number of cycles is completed.

Maximum Vertical Wear Allowable:

Grade 3 = 0.105"

Grade 2 = 0.030"

Grade 1 = 0.020"

Maximum Lateral Wear Allowable:

All Grades = 0.062"

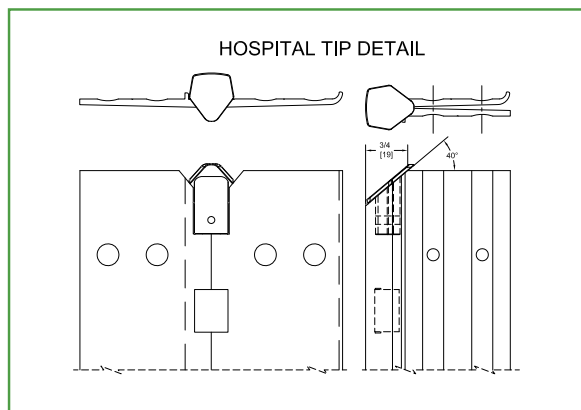
Cycle requirements range from Grade 3-600 requiring 100,000 cycles through Grade 1-150 requiring 2.5 million cycles.

For more information on certification testing or other product certification programs, please contact Pemko Customer Service.



Hospital Tip

A special modification is available for certain hinges which provides a Hospital Tip Cap at the top of the gear cap, leaving no opening. A 45° angled cut on the gear cap and leaf covers provides a safe environment for hospitals and correctional facilities.



Cycle Requirements - Per BHMA Standard ANSI/BHMA A156.26-2012

- Standard Duty Hinges (excluding _RS175 & _RS138) conform to Grade 3-150 and Grade 3-300
- HD3 Hinges conform to Grade 3-150, Grade 3-300, and Grade 3-600
- HD1 Hinges conform to Grade 2-150, Grade 1-300, and Grade 1-600
- 1100 Series and X-Series Hinges conform to Grade 1-150

Weight Bearing - Per BHMA Standard ANSI/BHMA A156.26-2012

- This information pertains to all commercial models
- Heavier weight can be carried; please contact Customer Service for applications other than those listed in the chart
- Special hinge reinforcements are not required as hollow metal door and frame manufacturers' standard are acceptable. Removal of hinge reinforcements in the door and frame is not advised. Hinge preps must have fillers installed

UL Fire Labeled 1½ & 3 Hour



LISTED
DOOR HINGE
76Y2

- All models designated with these symbols are tested and certified by Underwriters Laboratories Inc.® (U.S.A. and Canada) to standards UL10B, UL10C and UBC7.2 (positive pressure) for a 1½-Hour Fire Listing for all 4'0" x 10'0" and 8'0" x 10'0" door and frame assemblies. Fire listing certifications apply to all approved hollow metal and wood door assemblies in drywall or masonry wall construction
- Special FirePins™ are only required on 3-Hour assemblies. Please refer to page 95 for illustrations and information regarding the application of Pemko FirePins™

- All hinges are supplied with standard fastener kits. Replacement kits/individual fasteners may be purchased separately
- Particle Board/TORX fasteners may be purchased separately. Full-mortise hinges require 40 each; half-surface hinges require 20 each; full-surface hinges require 12 each
- All half-surface and full-surface hinges are supplied with a snap cover for the door leaf. Replacement snap covers may be purchased separately
- Rain caps may be purchased separately

Electrically Modified Continuous Geared Hinges

Electrical Modifications

- Pemko has vastly improved the cycle performance of the electrically modified hinge. Performance testing has shown that 3,000,000+ cycles can now be achieved using Pemko's exclusive polyurethane-coated 4, 8, or 12 TRI-FLEX titanium copper alloy cables. Each cable is capable of carrying 6 amps continuous or 16 amps in-rush @ 24-volts for 820 milliseconds. When ordering, please use the "shorthand code" shown in the chart page 82. For example, if you require a Clear Anodized standard Full-Mortise hinge at 83" with Quick Connect transfer - 4-wire, modified 36 1/4" from the top, right hand, you would order a CFM83 with QC4 at 36 1/4" from top - RH

Options for Electrically Modified Continuous Geared Hinges

These options allow variable degrees of service to be performed at the specific locations of the current carrying cables by installing a serviceable/removable hinge which includes a removable module (SER), or installing a hinge with a pivoting accessible feature (ACC).

- Both options (SER & ACC) are available in 4 Wire (QC4), 8 Wire (QC8), 12 Wire (QC12) variants
- Available on FM, FS, HS, KFM, SLF, SLI, XF, XI, XK, XM, X25M Models

Serviceable/Removable (SER) Module

The hinge is furnished to be installed in three sections allowing the current carrying cable to be serviced or replaced without removing the door from the frame. Additionally, the SER option allows the current carrying cables to be safely stored or delivered to the electrician or security contractor prior to the installation of the electrified hardware, eliminating the necessity of the electrician or security contractor being present when the doors are being hung.

Product Numbering Example: CFM83HD1xSER4

Accessible (ACC) Feature

The hinge is furnished to be installed in a single section with the leaves modified to pivot at the location of the current carrying cable and allow access to the cables and connected wiring.

Product Numbering Example: CFM83HD1xACC4

Concealed Magnetic Monitoring (CM)

Concealed magnetic monitoring is also available with the SER and ACC options. Magnetic monitor is supplied with monitor and an adjustable magnet.

Product Numbering Example: CFM83HD1xSER4xCM
CFM83HD1xACC4xCM

Customer Information Needed:

- Specify handing and prep location if other than Pemko standard

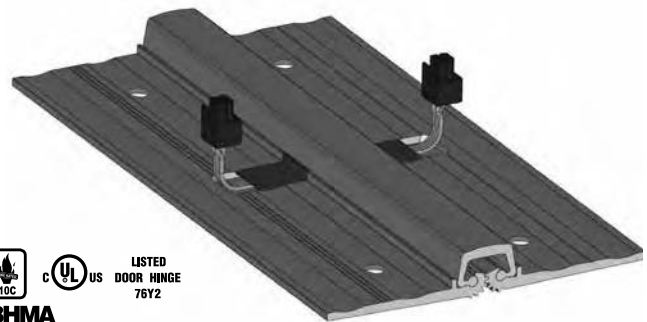
Included:

- HD1, 1100 and X-Series model hinges using Molex connectors with ElectroLynx® are warranted for five (5) years. Standard duty and HD3 hinges are warranted for one (1) year
- Each electrical prep is supplied with one 48" and one 180" cable lead

ElectroLynx®

As part of their promise to provide innovative, fast and effective high security solutions to their customers, certain ASSA ABLOY Group brands offer ElectroLynx®, a universal quick-connect system that simplifies the electrification of the door opening.

ElectroLynx® is a registered trademark of ASSA ABLOY Inc.



Quick Connect Transfer For Full Mortise (FM) Hinges	QC4 4 WIRE
	QC8 8 WIRE
	QC12 12 WIRE

Quick Connect Transfer For Full Surface (FS) & Half Surface (HS) Hinges	QC4_S 4 WIRE
	QC8_S 8 WIRE
	QC12_S 12 WIRE

Additional Electrical Modifications Options Code	
Additional Length of Quick Connect Cable Leads	
Adjustable Concealed Magnetic Monitoring	CM
Power Transfer - Prep Only	PT

X-Series Hinges

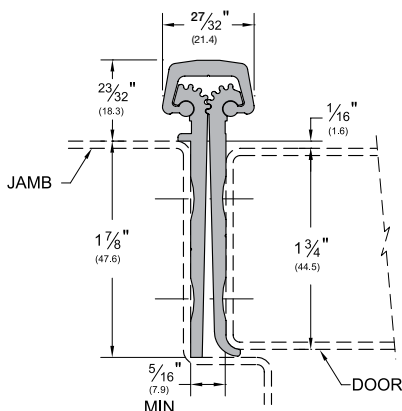
- Thicker leaves than traditional continuous geared hinge and requires no additional clearance

- X-Series hinges allow for a deeper cavity for electrical wires when ordering an electrified hinge

Full Mortise

XM_

STANDARD FINISHES: C, D

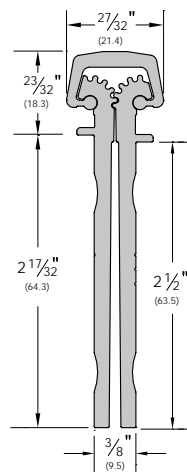


Full Mortise for 2 1/2" Thick Door

- Wider hinge leaves to accommodate doors 2 1/2" thick

X25M_

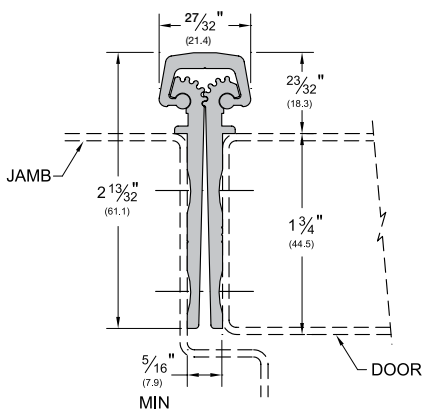
STANDARD FINISHES: C, D



Short Leaf Flush

XF_

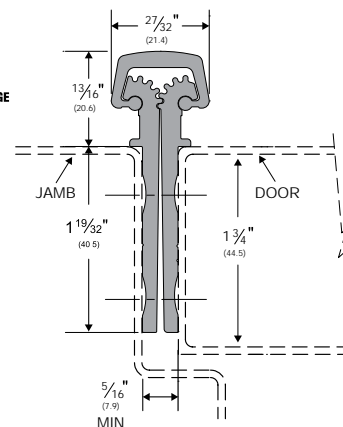
STANDARD FINISHES: C, D



Kawneer Full Mortise

XK_

STANDARD FINISHES: C, D

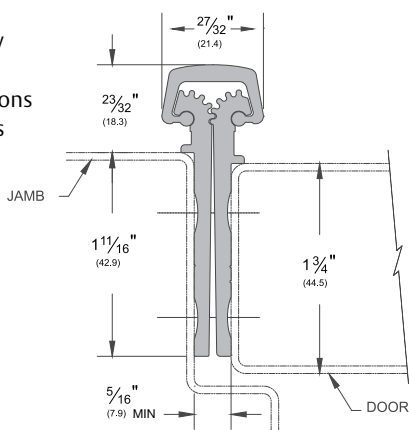


Short Leaf Inset

- Designed for use with hollow metal doors where the inset conforms to S.D.I. specifications for aligning doors and frames

XI_

STANDARD FINISHES: C, D



AVAILABLE FINISHES FOR PRODUCTS SHOWN ON THIS PAGE (see General Information section for finish chart)

BL (Black Anodized) G (Painted Gold)

PW (Painted White) and SN (Satin Nickel) are special finishes available upon request.

800-824-3018 | www.assaabloydooraccessories.us

Check the web site for the up-to-date catalog

Copyright © 2015-2021, ASSA ABLOY Accessories and Door Controls Group, Inc., an ASSA ABLOY Group company. All rights reserved. Reproduction in whole or in part without the express written permission of ASSA ABLOY Accessories and Door Controls Group, Inc. is prohibited.

ASSA ABLOY
Opening Solutions

Experience a safer
and more open world

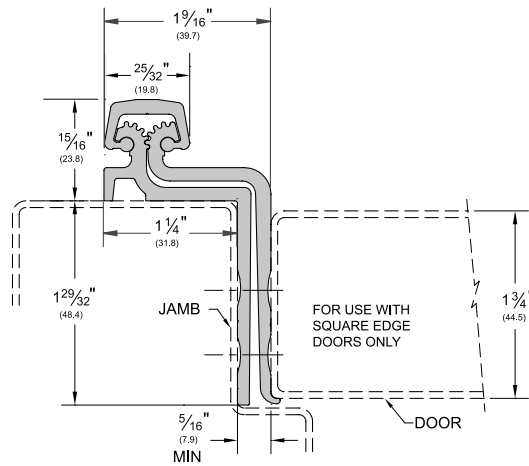
Offset Hinges

- Used when extra clearance is needed when the door is open at 90°

Offset Full Mortise

_OS_FM

STANDARD FINISHES: C, D

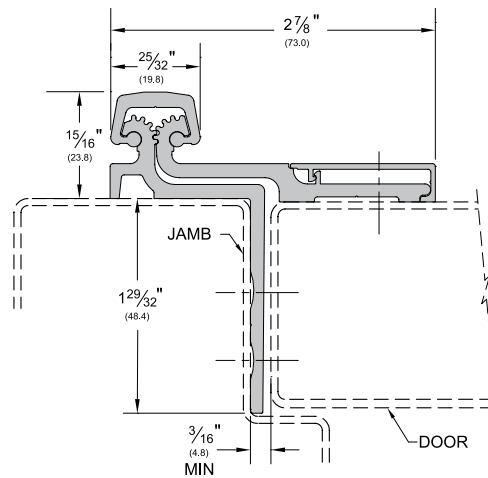


Offset Half Surface

- Replacement snap cover is C1 for Clear Anodized or D1 for Dark Bronze Anodized

_OS_HS

STANDARD FINISHES: C, D



AVAILABLE FINISHES FOR PRODUCTS SHOWN ON THIS PAGE (see General Information section for finish chart)
BL (Black Anodized) **G** (Painted Gold)
PW (Painted White) and **SN** (Satin Nickel) are special finishes available upon request.

ASSA ABLOY
Opening Solutions

Experience a safer
and more open world

800-824-3018 | www.assaabloydooraccessories.us
Check the web site for the up-to-date catalog

Copyright © 2015-2021, ASSA ABLOY Accessories and Door Controls Group, Inc., an ASSA ABLOY Group company. All rights reserved. Reproduction in whole or in part without the express written permission of ASSA ABLOY Accessories and Door Controls Group, Inc. is prohibited.

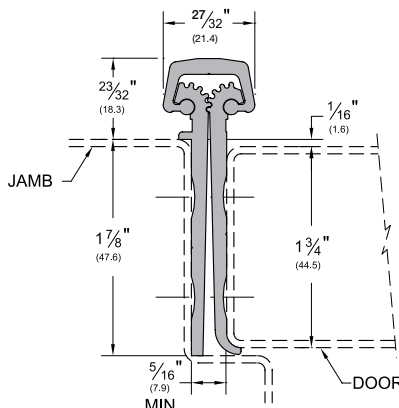
Full Mortise Hinges

- Full-Mortise units are designed mainly for new door applications and are applied to the frame rabbet and door edge to conceal both leaves

Full Mortise

_FM

STANDARD FINISHES: C, D



Modular Hinge Option

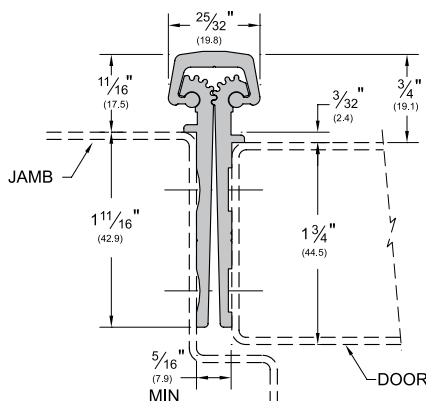
- Hinge is provided in 2 or 3 segments depending on length
- Hinges are packed in a shorter box and are easier to ship, transport, and store than traditional continuous hinges
- Available for select models, see price book for model availability

Full Mortise Short Leaf Inset

- Designed for use with doors which range between 1 3/4" to 2 1/4"
- Designed for use with hollow metal doors and frames where the inset conforms to S.D.I. specifications for aligning doors and frames

_FM_SLI

STANDARD FINISHES: C, D

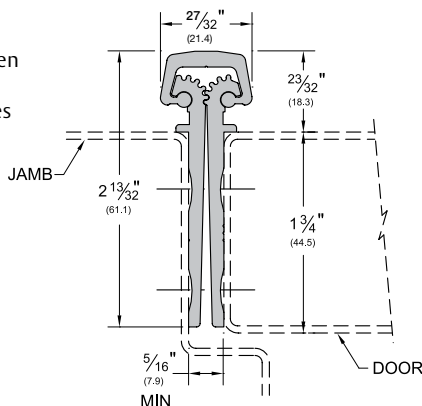


Full Mortise Short Leaf Flush

- Designed for use with doors which range between 1 3/4" to 2 1/4"
- Also used for bifold applications to keep the faces of the doors flush (not illustrated)

_FM_SLF

STANDARD FINISHES: C, D



Modular Hinge Option

- Hinge is provided in 2 or 3 segments depending on length
- Hinges are packed in a shorter box and are easier to ship, transport, and store than traditional continuous hinges
- Available for select models, see price book for model availability

OPTIONAL FINISHES FOR PRODUCTS SHOWN ON THIS PAGE (see General Information section for finish chart)

BL (Black Anodized) C (Painted Gold)

PW (Painted White) and SN (Satin Nickel) are special finishes available upon request.

800-824-3018 | www.assaabloydooraccessories.us

Check the web site for the up-to-date catalog

Copyright © 2015-2021, ASSA ABLOY Accessories and Door Controls Group, Inc., an ASSA ABLOY Group company. All rights reserved. Reproduction in whole or in part without the express written permission of ASSA ABLOY Accessories and Door Controls Group, Inc. is prohibited.

ASSA ABLOY
Opening Solutions

Experience a safer
and more open world

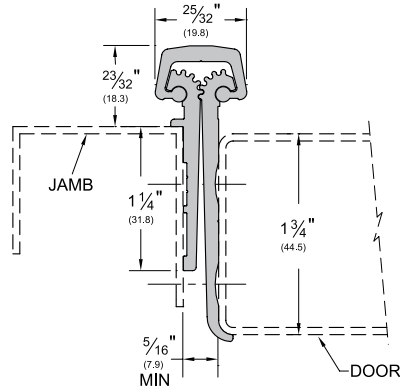
Special Full Mortise Hinges

- Special Full-Mortise units are designed for door and frame applications where the hinge leaf may interfere with the weatherstrip, thermal break, or applied stop of the frame
- Special Full-Mortise hinges are applied to the frame rabbet and door edge to conceal both leaves

Special Full Mortise

_SPFM

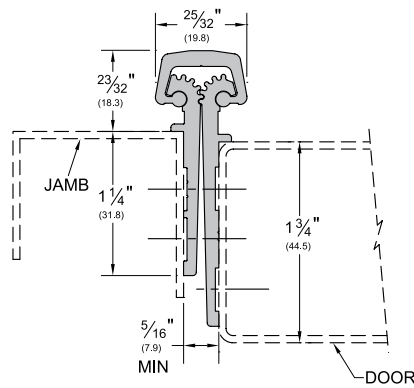
STANDARD FINISHES: C, D



Special Full Mortise Short Leaf Inset

_SPFM_SLI

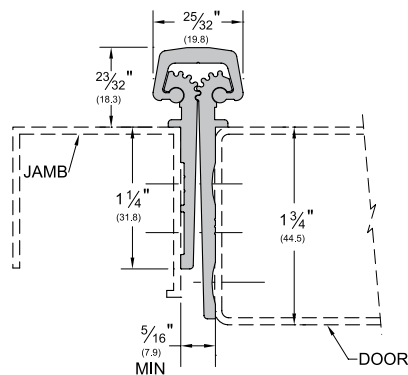
STANDARD FINISHES: C, D



Special Full Mortise Short Leaf Flush

_SPFM_SLF

STANDARD FINISHES: C, D



OPTIONAL FINISHES FOR PRODUCTS SHOWN ON THIS PAGE (see General Information section for finish chart)
BL (Black Anodized) **G** (Painted Gold)
PW (Painted White) and **SN** (Satin Nickel) are special finishes available upon request.

ASSA ABLOY
Opening Solutions

Experience a safer
and more open world

800-824-3018 | www.assaabloydooraccessories.us
Check the web site for the up-to-date catalog

Copyright © 2015-2021, ASSA ABLOY Accessories and Door Controls Group, Inc., an ASSA ABLOY company. All rights reserved. Reproduction in whole or in part without the express written permission of ASSA ABLOY Accessories and Door Controls Group, Inc. is prohibited.

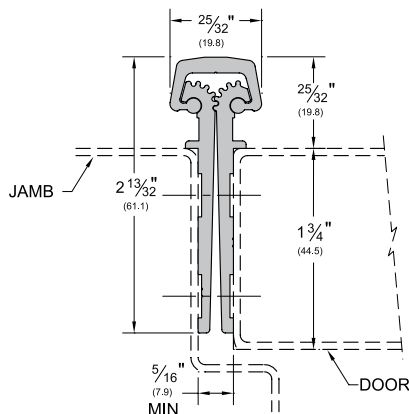
Full Mortise Hinge

- Like our other Full Mortise units, the Kawneer Hinges are designed mainly for new door applications and are applied to the frame rabbet and door edge to conceal both leaves
- Developed for the Kawneer “Tuffline” series of aluminum doors

Kawneer Full Mortise

K_FM

STANDARD FINISHES: C, D



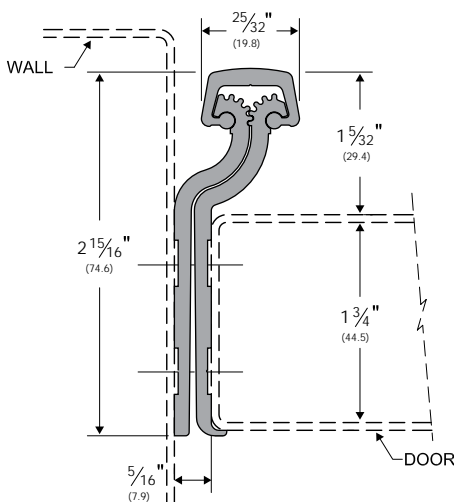
Raised Gear Hinge

- Designed for wood or metal cased openings when hinge is to be installed deep on the rabbet. The design of the leaves allows for the hinge to pivot without interference from the cap.
- Certain door/frame conditions may require an extra 1/32" to 1/16" clearance. Excessive clearance on fire rated assemblies may violate the requirements of NFPA80

Full Mortise Raised Gear

_FM_RG

STANDARD FINISHES: C, D



OPTIONAL FINISHES FOR PRODUCTS SHOWN ON THIS PAGE (see General Information section for finish chart)
 BL (Black Anodized) C (Painted Gold)
 PW (Painted White) and SN (Satin Nickel) are special finishes available upon request.

800-824-3018 | www.assaabloydooraccessories.us
 Check the web site for the up-to-date catalog

Copyright © 2015-2021, ASSA ABLOY Accessories and Door Controls Group, Inc., an ASSA ABLOY Group company. All rights reserved.
 Reproduction in whole or in part without the express written permission of ASSA ABLOY Accessories and Door Controls Group, Inc. is prohibited.

ASSA ABLOY
 Opening Solutions

Experience a safer
 and more open world

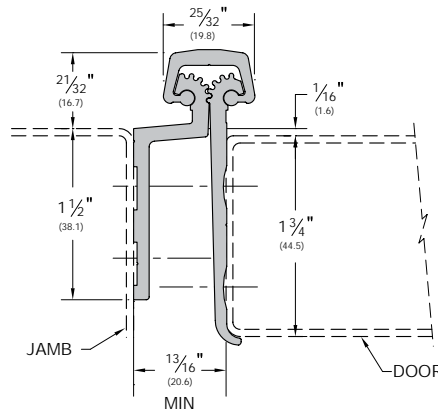
Full Mortise Safety Hinge

- Full Mortise Safety units are designed mainly for new door applications in child care and nursing facilities
- These hinges require extra clearance and are applied to conceal both leaves

Full Mortise Safety

_FM_SF

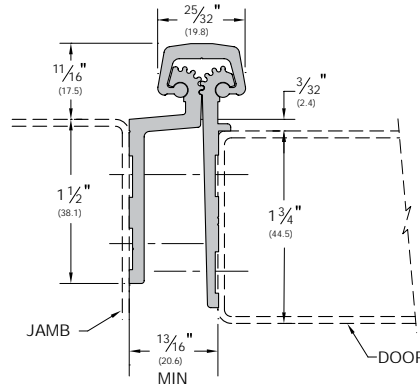
STANDARD FINISHES: C, D



Full Mortise Short Leaf Inset Safety

_FM_SLISF

STANDARD FINISHES: C, D



Full Mortise Hinge for 1 3/8" Door

- More bearings than _RS138 hinge to work in commercial grade application
- Shorter leaves for thinner doors

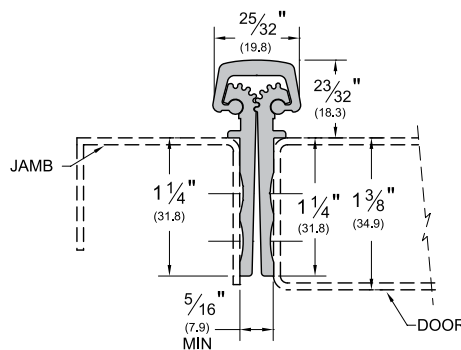
Full Mortise

FM_SLF138

STANDARD FINISHES: C, D



LISTED
DOOR HINGE
76Y2



OPTIONAL FINISHES FOR PRODUCTS SHOWN ON THIS PAGE (see General Information section for finish chart)
BL (Black Anodized) **G** (Painted Gold)
PW (Painted White) and **SN** (Satin Nickel) are special finishes available upon request.

ASSA ABLOY
Opening Solutions

Experience a safer
and more open world

800-824-3018 | www.assaabloydooraccessories.us
Check the web site for the up-to-date catalog

Copyright © 2015-2021, ASSA ABLOY Accessories and Door Controls Group, Inc., an ASSA ABLOY Group company. All rights reserved. Reproduction in whole or in part without the express written permission of ASSA ABLOY Accessories and Door Controls Group, Inc. is prohibited.

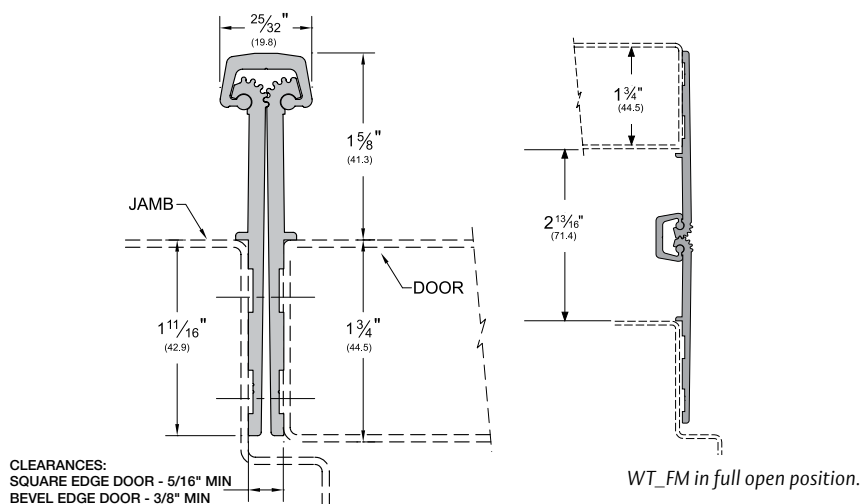
Wide Throw Full Mortise Hinge

- Wide Throw Full Mortise units are designed mainly for new door applications that require extra clearance due to special frame, door or wall design, and are applied to the frame rabbet and door edge to conceal both leaves
- More clearance between the door and frame when door is open 180°
- Available only in heavy duty to support larger doors

Wide Throw Full Mortise

WT_FM

STANDARD FINISHES: C, D



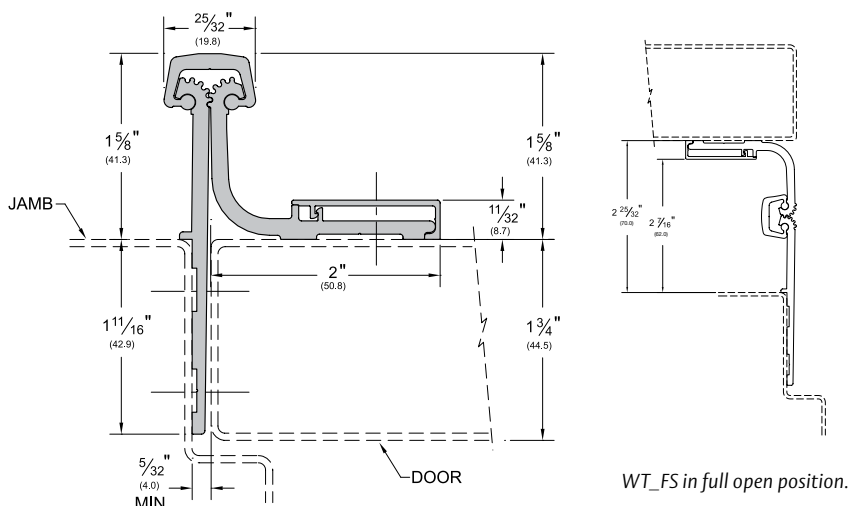
Wide Throw Half Surface Hinge

- Wide Throw Half Surface units are designed mainly for retrofit applications that require extra clearance due to special frame, door, or wall design and are applied to the frame rabbet and the exposed door surface
- Wide Throw Half Surface units combine the versatility of the Half Surface unit and the clearance of a Wide Throw hinge into one
- Replacement snap cover is C1 for Clear Anodized or D1 for Dark Bronze Anodized

Wide Throw Half Surface

WT_HS

STANDARD FINISHES: C, D



OPTIONAL FINISHES FOR PRODUCTS SHOWN ON THIS PAGE (see General Information section for finish chart)

BL (Black Anodized) C (Painted Gold)

PW (Painted White) and SN (Satin Nickel) are special finishes available upon request.

800-824-3018 | www.assaabloydooraccessories.us

Check the web site for the up-to-date catalog

Copyright © 2015-2021, ASSA ABLOY Accessories and Door Controls Group, Inc., an ASSA ABLOY Group company. All rights reserved. Reproduction in whole or in part without the express written permission of ASSA ABLOY Accessories and Door Controls Group, Inc. is prohibited.

ASSA ABLOY
Opening Solutions

Experience a safer
and more open world

Half Surface Hinge

- Half Surface units are designed mainly for retrofit work, and are applied to the exposed surface of the door and the frame rabbet
- Designed for use with hollow metal frames, where the inset conforms to S.D.I. specifications for aligning doors and frames

- Allows for adjustments in order to properly align edge of the door to the frame
- Replacement snap cover is C1 for Clear Anodized or D1 for Dark Bronze Anodized

Half Surface

_HS

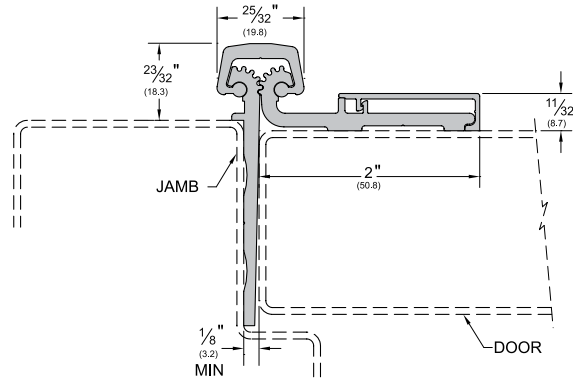
STANDARD FINISHES: C, D



BHMA
CERTIFIED



LISTED
DOOR HINGE
76Y2



Half Surface Safety Hinge

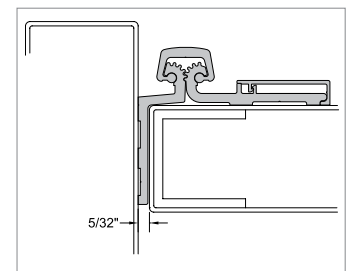
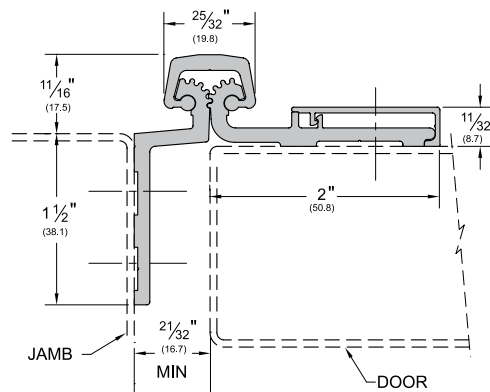
- Half Surface Safety units are designed mainly for retrofit work in child care and nursing facilities and are applied to the exposed surface of the door and the frame rabbet

- Replacement snap cover is C1 for Clear Anodized or D1 for Dark Bronze Anodized

Half Surface Safety

_HS_SF

STANDARD FINISHES: C, D



HS_SF in deep frame application is no longer a safety hinge

Half Mortise Hinge

- Half Mortise units are designed mainly for retrofit work and are applied to the exposed surface of the frame and the door edge
- Designed to require only 5/32" clearance instead of 5/16" and also allows for adjustments to properly align edge of the door to the frame face

- Replacement snap cover is C29316 for Clear Anodized or D29316 for Dark Bronze Anodized

Half Mortise

_HM

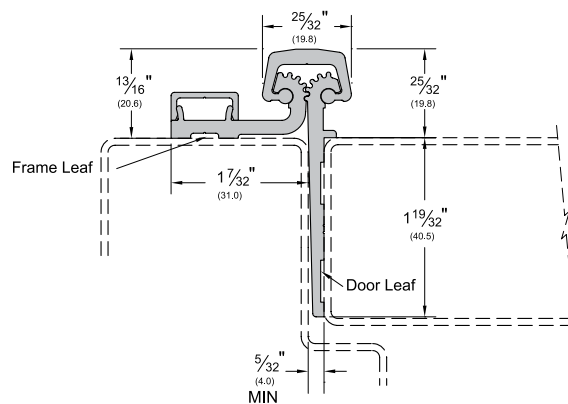
STANDARD FINISHES: C, D



BHMA
CERTIFIED



LISTED
DOOR HINGE
76Y2



OPTIONAL FINISHES FOR PRODUCTS SHOWN ON THIS PAGE (see General Information section for finish chart)
BL (Black Anodized) **G** (Painted Gold)
PW (Painted White) and **SN** (Satin Nickel) are special finishes available upon request.

ASSA ABLOY
Opening Solutions

Experience a safer
and more open world

800-824-3018 | www.assaabloydooraccessories.us

Check the web site for the up-to-date catalog

Copyright © 2015-2021, ASSA ABLOY Accessories and Door Controls Group, Inc., an ASSA ABLOY Group company. All rights reserved. Reproduction in whole or in part without the express written permission of ASSA ABLOY Accessories and Door Controls Group, Inc. is prohibited.

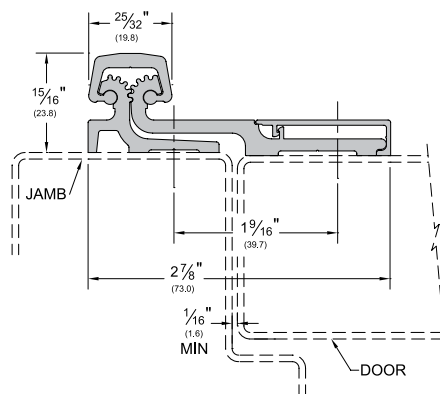
Standard Full Surface Hinge

- Full Surface units are designed mainly for retrofit work, and are applied to the exposed surfaces of the door and frame
- Replacement snap cover is C1 for Clear Anodized or D1 for Dark Bronze Anodized

Full Surface

_FS

STANDARD FINISHES: C, D



Modular Hinge Option

- Hinge is provided in 2 or 3 segments depending on length
- Hinges are packed in a shorter box and are easier to ship, transport, and store than traditional continuous hinges
- Available for select models, see price book for model availability

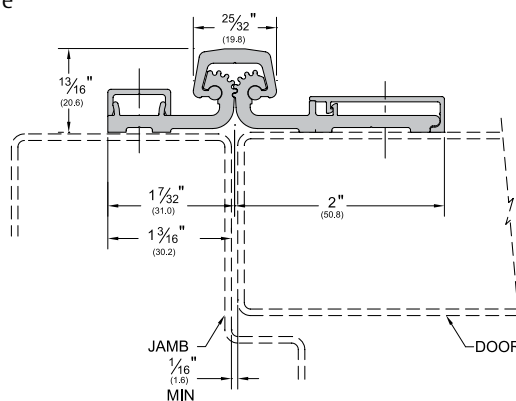
Full Surface Center Pivot Hinge

- Full Surface Center Pivot units are designed mainly for retrofit work and are applied to the exposed surfaces of the door and frame
- Full Surface Center Pivot units easily replace butt hinges since no door or frame adjustments are necessary and are more versatile with restricted frame faces
- Replacement snap cover for door leaf is C1 for Clear Anodized or D1 for Dark Bronze Anodized. Replacement snap cover for frame leaf is C29316 for Clear Anodized or D29316 for Dark Bronze Anodized

Full Surface Center Pivot

_FS_CP

STANDARD FINISHES: C, D



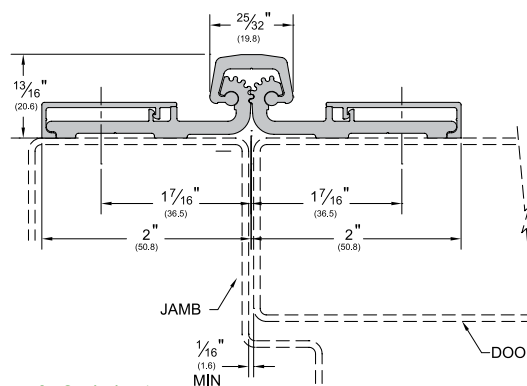
Full Surface Balanced Pivot Hinge

- Allows for easy replacement from butt hinges as the pivot point remains the same and no door or frame adjustments are necessary
- No template adjustments are needed for existing door opening/closing devices
- Equal length leaves provide an aesthetic appearance
- Good in a bi-fold application where two doors need to be hinged
- Replacement snap cover for either leaf is C1 for Clear Anodized or D1 for Dark Bronze Anodized

Full Surface Balanced Pivot

_FS_BP

STANDARD FINISHES: C, D



OPTIONAL FINISHES FOR PRODUCTS SHOWN ON THIS PAGE (see General Information section for finish chart)
 BL (Black Anodized) G (Painted Gold)
 PW (Painted White) and SN (Satin Nickel) are special finishes available upon request.

800-824-3018 | www.assaabloydooraccessories.us
 Check the web site for the up-to-date catalog

Copyright © 2015-2021, ASSA ABLOY Accessories and Door Controls Group, Inc., an ASSA ABLOY Group company. All rights reserved.
 Reproduction in whole or in part without the express written permission of ASSA ABLOY Accessories and Door Controls Group, Inc. is prohibited.

ASSA ABLOY
 Opening Solutions

Experience a safer
 and more open world

Full Mortise Residential Hinges

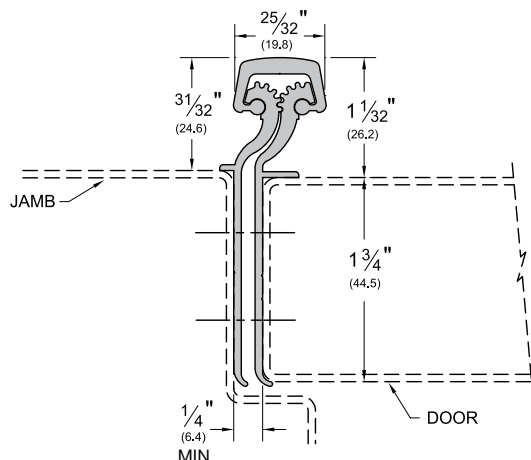
- Full Mortise Residential units are designed mainly for new door and frame applications, and are applied to conceal both leaves

NOTE: All RS series hinges are excluded from the "LIFE OF THE OPENING" guarantee, and instead carry a ten (10) year warranty

_RS175

STANDARD FINISHES: C, D

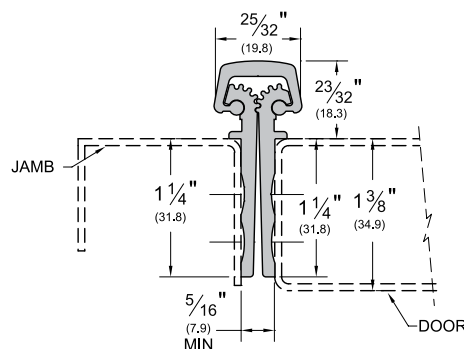
- Designed for 1 $\frac{3}{4}$ " MAXIMUM thickness with a weight up to 90 lbs.



_RS138

STANDARD FINISHES: C, D

- Shorter leaves for thinner doors
- Designed for doors 1 $\frac{3}{8}$ " thick with a weight limit up to 90 lbs.



OPTIONAL FINISHES FOR PRODUCTS SHOWN ON THIS PAGE (see General Information section for finish chart)
BL (Black Anodized) **G** (Painted Gold)
PW (Painted White) and **SN** (Satin Nickel) are special finishes available upon request.

ASSA ABLOY
Opening Solutions

Experience a safer
and more open world

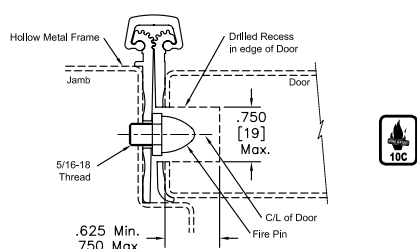
800-824-3018 | www.assaabloydooraccessories.us
Check the web site for the up-to-date catalog

Copyright © 2015-2021, ASSA ABLOY Accessories and Door Controls Group, Inc., an ASSA ABLOY Group company. All rights reserved. Reproduction in whole or in part without the express written permission of ASSA ABLOY Accessories and Door Controls Group, Inc. is prohibited.

FirePins For Use With 3-Hour Fire Rated Assemblies

- FirePins™ are required to achieve 3-hour fire rating
- Although PemkoHinge® Continuous Hinges carry UL Fire Ratings unequaled in the industry, some applications may require the use of FirePins™
- FirePin™ applications fall within the UL guidelines for retro-fitting assemblies in the field. Expensive shop modifications and door/frame reinforcements are not required
- FirePins™ also add extra security to a door assembly

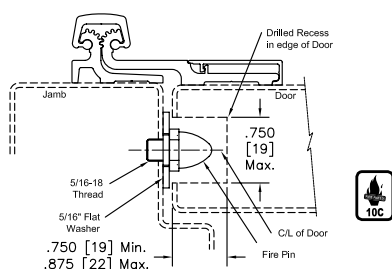
Full Mortise Hinges



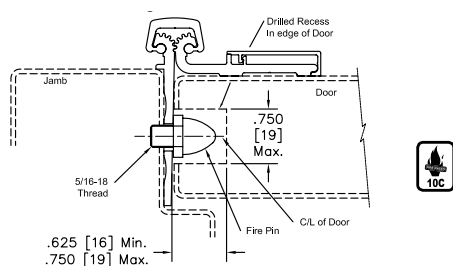
FirePin Locations

- The locations (illustrated right) indicate where holes should be drilled on the hinge edge of the
- These locations are appropriate all hinge models (Full Mortise, Full Surface, and Half Surface)

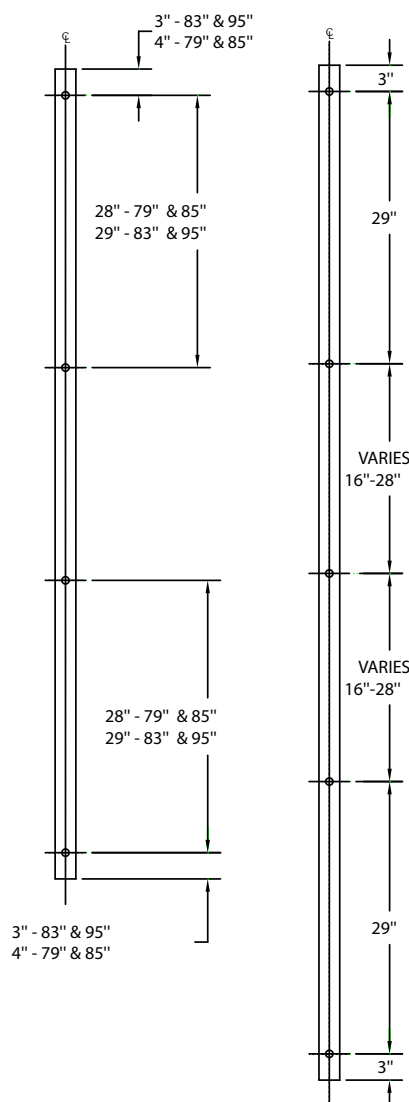
Full Surface Hinges



Half Surface Hinges



80" to 95" Hinges 96" to 120" Hinges



Double Swing Hinge and Emergency Release Stop

- Innovative healthcare solution that permits quick door opening in an emergency situation
- Double Swing Hinge has a unique 100° swing and allows the door to swing in either direction
- Emergency Release Stop features a special flush bolt that is used to release the door in an emergency situation. Hospital tip is standard.
- The Double Swing Hinge and Emergency Release Stop are accepted by the New York State Office of Mental Health (OMH) for use in high risk areas.
- The Markar DSH1000 Pin & Barrel Double Swing Hinge is another option to use with the Emergency Release Stop to create an anti-barricade system. See the Markar products section of this catalog for more information.
- Order form required, available online.

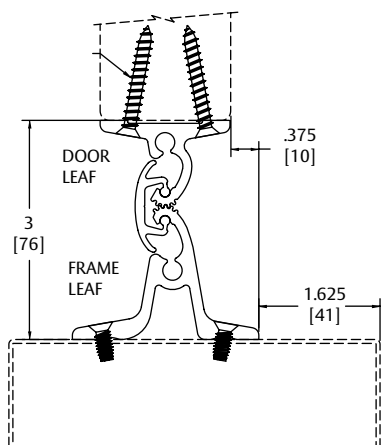
Double Swing Hinge

- Meets the cycle test requirements for ANSI/BHMA A156.26 for Continuous Hinges.
- Meets the barrier free requirementst of ICC/ANSI A117.1 and ADAAG (2010)

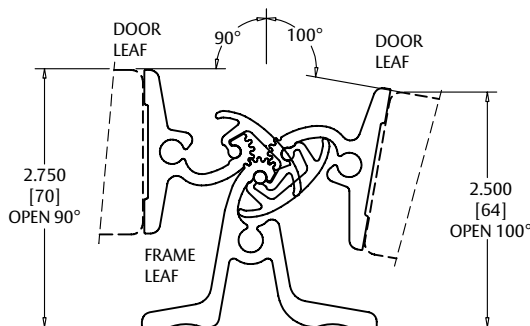
DSH_

AVAILABLE FINISHES: **C**, other finishes available upon request

- Designed for 1³/₄" MAXIMUM thickness with a weight up to 250 lbs.



Hinge Size	Opening	Clear Anodized
84"	7' 0"	DSHP01C-84
96"	8' 0"	DSHP01C-96
120"	10' 0"	DSHP01C-120



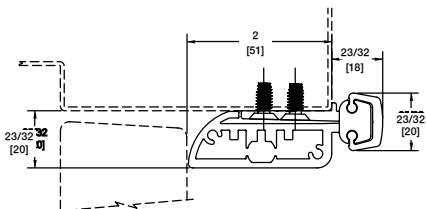
NOTE: DSH1000 Pin & Barrel Double Swing Hinge shown on page 67

Emergency Release Stop

- Minimum 2³/₄" backset for hardware trim
- NOTE: With 2³/₄" hardware trim backset, a Notch is required in the ERS to clear the hardware trim. The type of Notch is determined by the manufacturer based on the information provide on the order form.
- To avoid using an extended lip strike, use a single rabbit jamb on strike side of frame only with cased open header and hinge jamb.

ERS_

AVAILABLE FINISHES: **C**, other finishes available upon request



Hinge Size	Opening	Clear Anodized – Left Hand	Clear Anodized – Right Hand
84"	7' 0"	ERS84CxHT-LH	ERS84CxHT-RH
96"	8' 0"	ERS96CxHT-LH	ERS96CxHT-RH
120"	10' 0"	ERS120CxHT-LH	ERS120CxHT-RH

OPTIONAL FINISHES FOR PRODUCTS SHOWN ON THIS PAGE (see General Information section for finish chart)
BL (Black Anodized) **G** (Painted Gold)
PW (Painted White) and **SN** (Satin Nickel) are special finishes available upon request.

ASSA ABLOY
Opening Solutions

Experience a safer
and more open world

800-824-3018 | www.assaabloydooraccessories.us
Check the web site for the up-to-date catalog

Copyright © 2015-2021, ASSA ABLOY Accessories and Door Controls Group, Inc., an ASSA ABLOY Group company. All rights reserved. Reproduction in whole or in part without the express written permission of ASSA ABLOY Accessories and Door Controls Group, Inc. is prohibited.

Power Transfers

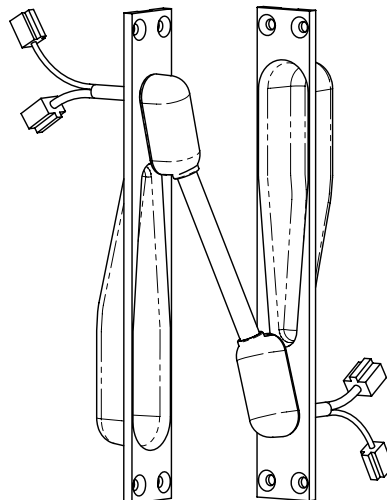
- These Securitron electronic power transfer units fit into doors and frames to transfer power from your power supply to the door-mounted electronic device

- Contact your hinge manufacturer for cutout availability
- Order form required, available online

EL-CEPT

AVAILABLE COLORS:
US32D, US10B

- Mortises into the edges of the door and frame
- Tamper-resistant; no exposed openings
- All metal construction, including backboxes
- $\frac{7}{8}$ " knockouts on back boxes to accommodate EMF-type fitting
- 12-wire configuration with ElectroLynx compatible connectors
- Tested to 1,000,000 cycles
- Will not work on center-hung or balanced doors
- Works with most continuous hinges, up to 6" wide
- UL10B and UL10C listed



EL-EPT

AVAILABLE COLORS:
US2C

- Installs in the door and frame edges
- Flexible steel shield protects wires— $\frac{3}{8}$ " (9.5mm) I.D.
- New universal device; works with most butt and continuous hinges
- Not for use with center pivot doors or with pivot hinges with offset greater than $\frac{3}{4}$ "
- UL634, UL10B, UL10C Listed
- ANSI A250.13-2003—Windstorm Resistant

EL-EPTL

AVAILABLE COLORS:
US2C

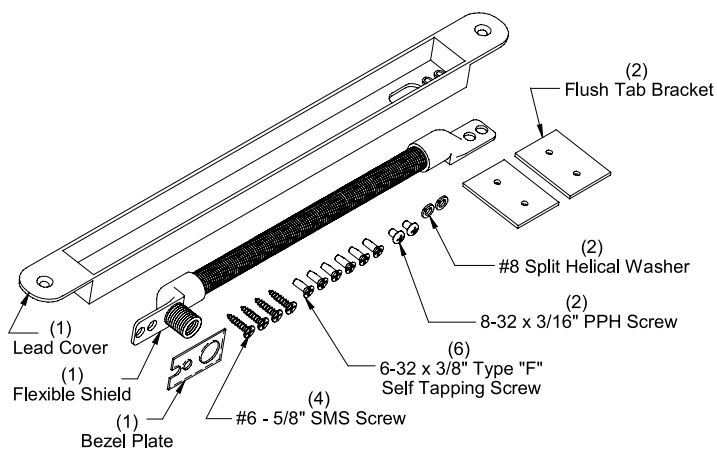
- Installs in the door and frame edges
- Flexible steel shield protects wires— $\frac{3}{8}$ " (9.5mm) I.D.
- New universal device; works with most butt and continuous hinges
- Not for use with center pivot doors or with pivot hinges with offset greater than $\frac{3}{4}$ "
- UL634, UL10B, UL10C Listed
- ANSI A250.13-2003—Windstorm Resistant



EL-EPT-SC

AVAILABLE COLORS:
US2C

- Installs in the door and frame edges
- Flexible steel shield protects wires— $\frac{3}{8}$ " (9.5mm) I.D.
- New universal device; works with most butt and continuous hinges
- Functions on off-set pivot and swing clear hinged doors
- UL634, UL10B, UL10C Listed
- ANSI A250.13-2003—Windstorm Resistant



800-824-3018 | www.assaabloydooraccessories.us
Check the web site for the up-to-date catalog

Copyright © 2015-2021, ASSA ABLOY Accessories and Door Controls Group, Inc., an ASSA ABLOY Group company. All rights reserved.
Reproduction in whole or in part without the express written permission of ASSA ABLOY Accessories and Door Controls Group, Inc. is prohibited.

ASSA ABLOY
Opening Solutions

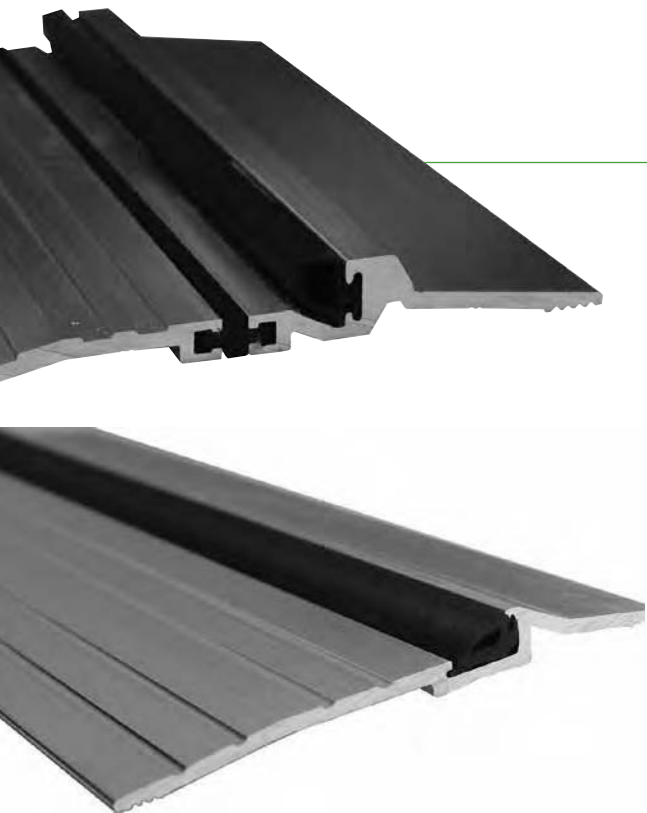
Experience a safer
and more open world

ASSA ABLOY
Opening Solutions

Experience a safer
and more open world

800-824-3018 | www.assaabloydooraccessories.us
Check the web site for the up-to-date catalog

Copyright © 2015-2021, ASSA ABLOY Accessories and Door Controls Group, Inc., an ASSA ABLOY Group company. All rights reserved.
Reproduction in whole or in part without the express written permission of ASSA ABLOY Accessories and Door Controls Group, Inc. is prohibited.



COMMERCIAL THRESHOLDS

CONTENTS:

Saddle Thresholds.....	100
Half Saddle Thresholds.....	106
Offset Saddles and Offset Half Saddles.....	109
Stainless Steel Saddles.....	110
Stainless Steel Half Saddles and Offset Saddles.....	111
Thermal Break Saddles.....	112
Stainless Steel Thermal Break Threshold.....	115
Latching Panic Exit Saddles.....	116
Latching Panic Exit Saddles - Thermal Break.....	120
Acoustic Thresholds.....	123
Threshold with Flexible Joint.....	123
Eco-V™ Thresholds.....	124
Adjustable-Width Eco-V™ Threshold.....	125
Heavy Duty Latching Panic Exit Saddle Threshold.....	126
Heavy Duty Thresholds.....	126
Modular Heavy Duty Thresholds.....	127
Floor Plates/Safety Treads.....	128
Aluminum Plates.....	129
Carpet Separators.....	130
Floor Plate Supports/Accessories and Elevators.....	131
Threshold Stop Strips.....	132
Floor Closer Thresholds/Cover Plate Assemblies.....	133
ANSI/BHMA A156.21 Thresholds - Cross Reference.....	134

INDEX:

PRODUCT	PAGE	PRODUCT	PAGE	PRODUCT	PAGE	PRODUCT	PAGE
14/1.....	129	193x2/195.....	133	254x226_FG.....	120	282.....	131
18/1.....	129	195.....	131	255.....	107	283.....	131
151.....	100	196.....	131	255x5.....	105	290.....	132
154.....	103	198.....	105	255x5_FG.....	113	566.....	109
154SS.....	110	200.....	131	255x226.....	119	766.....	109
156.....	106	227.....	108	255x226_FG.....	120	566x3_FG.....	114
157.....	110	228.....	128	256.....	108	766x3_FG.....	114
158.....	109	229.....	108	256x6.....	105	573x5_FG.....	123
158SS.....	111	230.....	130	256x6_FG.....	112	1546.....	103
159.....	118	236.....	130	257x259.....	133	1547.....	103
166.....	102	252.....	107	270.....	100	1571.....	110
168.....	109	252SS.....	111	271.....	100	1665.....	102
169.....	102	252x2_FG.....	113	272.....	100	1700.....	102
170.....	102	252x226.....	119	273.....	106	1710.....	103
171.....	104	252x226_FG.....	120	273x3.....	112	1715.....	126
172.....	104	252x2SSFG.....	115	273x3_FG.....	112	1716.....	127
173.....	100	252x3_FG.....	113	273x4_FG.....	112	1717.....	127
174.....	130	252x3SSFG.....	115	273x292_FGPK.....	122	1718.....	127
175.....	103	252x4SSFG.....	115	274.....	106	1719.....	127
175SS.....	110	253.....	107	273x224_FG.....	121	1842.....	132
176.....	104, 133	253SS.....	111	274x4.....	101, 139	1855.....	118
176x170.....	133	253x3_FG.....	113	274x4_FG.....	112	1875.....	109
176x171.....	133	253x3SS_FG.....	115	274x4x270.....	133	1877.....	109
177.....	118	253x4_FG.....	113	274x4x271.....	133	1951.....	130
179.....	117	253x4SS_FG.....	115	274x292_FGPK.....	122	2001.....	116
181.....	118	253x226_FG.....	120	2746x292_FGPK.....	122	2002.....	116
182.....	110	253x6_FG.....	114	276.....	101, 133	2005.....	116
183.....	131	254.....	107	276x270.....	133	2006.....	116
184.....	132	254SS.....	111	276x271.....	133	2007.....	117
185.....	119	254x4.....	104, 139	277.....	117	2008.....	123
188.....	131	254x4_FG.....	114	278.....	106	2009.....	117
189.....	131	254x4SS_FG.....	115	278x224_FG.....	121	2010.....	117
190.....	128	254x4x170.....	133	278x292_FGPK.....	122	2266.....	128
191.....	128	254x4x171.....	133	279.....	106	2286.....	128
192.....	128	254x5_FG.....	114	279x224_FG.....	121	2364.....	130
193.....	128	254x226.....	119	279x292_FGPK.....	122	2366.....	130

800-824-3018 | www.assaabloydooraccessories.us

Check the web site for the up-to-date catalog

Copyright © 2015-2021, ASSA ABLOY Accessories and Door Controls Group, Inc., an ASSA ABLOY Group company. All rights reserved.
 Reproduction in whole or in part without the express written permission of ASSA ABLOY Accessories and Door Controls Group, Inc. is prohibited.

ASSA ABLOY
 Opening Solutions

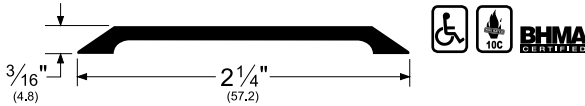
Experience a safer
 and more open world

Saddle Thresholds

- To use a saddle threshold in an offset condition, use an elevator (see page 135)

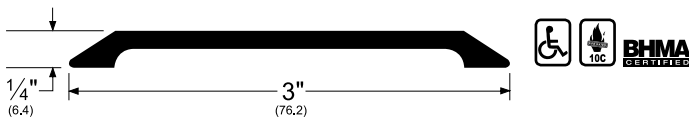
173_

AVAILABLE FINISHES: **10BE, A, B, BSP, D, WSP**
ANSI (aluminum): **J32300, J32330**
ANSI (brass): **J12300, J12330**



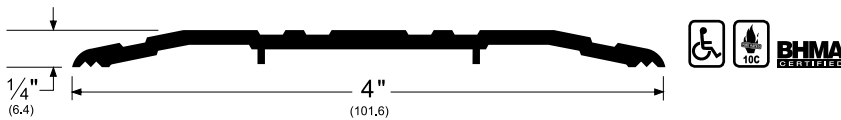
151_

AVAILABLE FINISHES: **10BE, A, B, BSP, D, WSP**
ANSI (aluminum): **J32300, J32330**
ANSI (brass): **J12300, J12330**



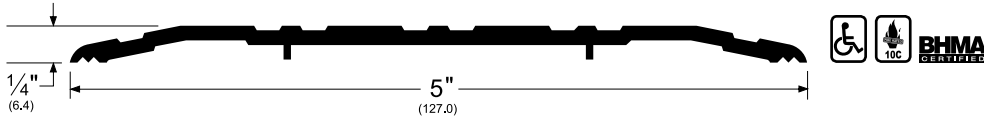
270_

AVAILABLE FINISHES: **10BE, A, B, BSP, D, G, WSP**
ANSI (aluminum): **J32100, J32130**
ANSI (brass): **J12300, J12330**



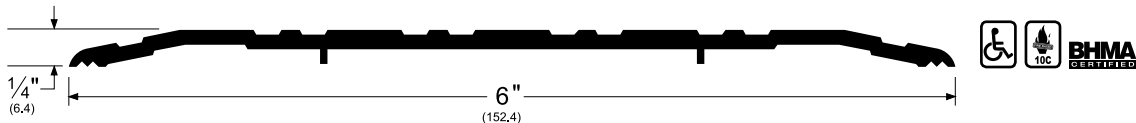
271_

AVAILABLE FINISHES: **10BE, A, B, BSP, D, G, SN, WSP**
ANSI (aluminum): **J32100, J32130**
ANSI (brass): **J12100, J12130**



272_

AVAILABLE FINISHES: **10BE, A, B, BSP, D, G, WSP**
ANSI (aluminum): **J32100, J32130**
ANSI (brass): **J12100, J12130**



NOTE: Products shown in this section may not be drawn to scale.

AVAILABLE FINISHES FOR PRODUCTS SHOWN ON THIS PAGE (see General Information section for finish chart)
10BE (Satin Bronze Powder Coated Aluminum) **A** (Mill Finish Aluminum) **B** (Mill Finish Extruded Bronze [Brass])
BSP (Black Suede Powder Coated Aluminum) **D** (Dark Bronze Anodized) **G** (Gold Anodized)
SN (Satin Nickel Anodized) **WSP** (White Suede Powder Coated Aluminum)

NOTE: **G, SN** are available with limited inventory

ASSA ABLOY
Opening Solutions

Experience a safer
and more open world

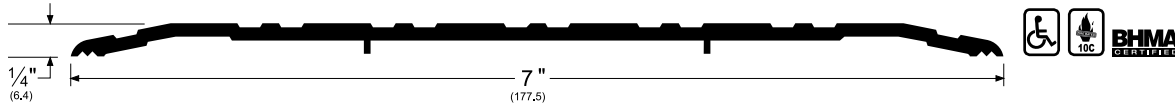
800-824-3018 | www.assaabloydooraccessories.us
Check the web site for the up-to-date catalog

Copyright © 2015-2021, ASSA ABLOY Accessories and Door Controls Group, Inc., an ASSA ABLOY Group company. All rights reserved.
Reproduction in whole or in part without the express written permission of ASSA ABLOY Accessories and Door Controls Group, Inc. is prohibited.

Saddle Thresholds (Cont.)

276_

AVAILABLE FINISHES: **10BE, A, B, BSP, D, G, WSP**
 ANSI (aluminum): **J32100, J32130, J39100, J39130, J39135, J39150**
 ANSI (brass): **J12100, J12130, J19100, J19130, J19135, J19150**



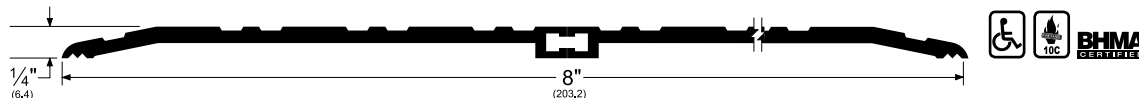
2748_

AVAILABLE FINISHES: **10BE, A, BSP, D, WSP**
 ANSI (aluminum): **J32100, J32130, J39100, J39130, J39135, J39150**



274x4_

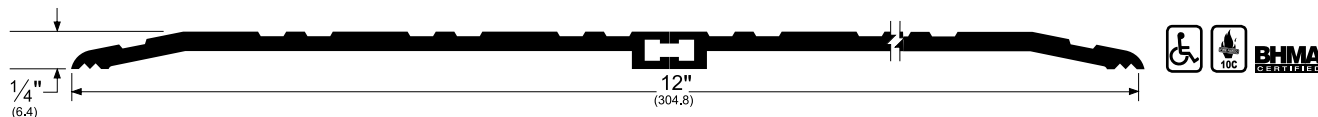
AVAILABLE FINISH: **B**
 ANSI (brass): **J12100, J12130, J19100, J19130, J19135, J19150**



Welded on bottom.

2746x6_

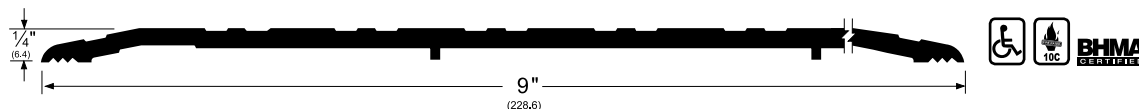
AVAILABLE FINISHES: **10BE, A, BSP, D, WSP**
 ANSI (aluminum): **J32100, J32130**



Welded on bottom.

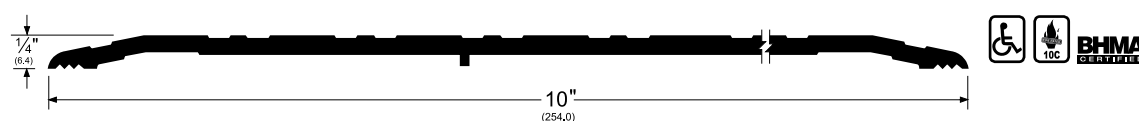
2749_

AVAILABLE FINISHES: **10BE, A, BSP, D, WSP**
 ANSI (aluminum): **J32100, J32130**



2750_

AVAILABLE FINISHES: **10BE, A, BSP, D, WSP**
 ANSI (aluminum): **J32100, J32130**



Includes two support legs (only one shown due to break in drawing)

NOTE: Products shown in this section may not be drawn to scale.

AVAILABLE FINISHES FOR PRODUCTS SHOWN ON THIS PAGE (see General Information section for finish chart)
10BE (Satin Bronze Powder Coated Aluminum) **A** (Mill Finish Aluminum) **B** (Mill Finish Extruded Bronze [Brass])
BSP (Black Suede Powder Coated Aluminum) **D** (Dark Bronze Anodized) **G** (Gold Anodized)
WSP (White Suede Powder Coated Aluminum)

NOTE: **G** is available with limited inventory

800-824-3018 | www.assaabloydooraccessories.us

Check the web site for the up-to-date catalog

Copyright © 2015-2021, ASSA ABLOY Accessories and Door Controls Group, Inc., an ASSA ABLOY Group company. All rights reserved.
 Reproduction in whole or in part without the express written permission of ASSA ABLOY Accessories and Door Controls Group, Inc. is prohibited.

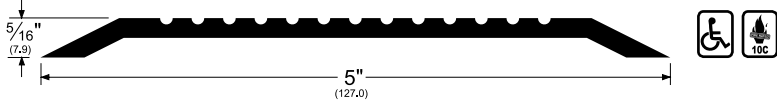
ASSA ABLOY
 Opening Solutions

Experience a safer
 and more open world

Saddle Thresholds (Cont.)

1665_

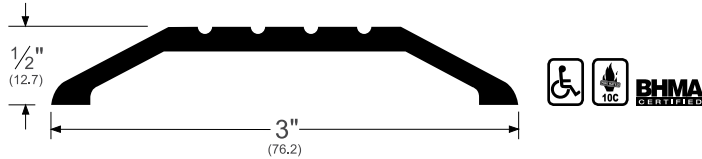
AVAILABLE FINISHES: 10BE, A, BSP, D, WSP



169_

AVAILABLE FINISHES: 10BE, A, BSP, D, WSP

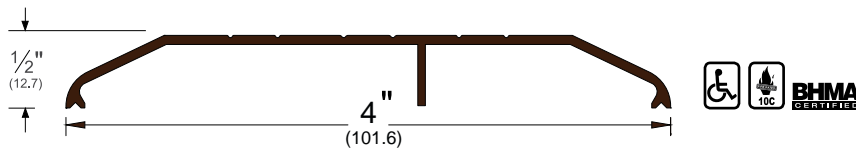
ANSI (aluminum): J32100, J32130



1700_

AVAILABLE FINISH: 10BE, A, BSP, WSP

ANSI (aluminum): J32100, J32130

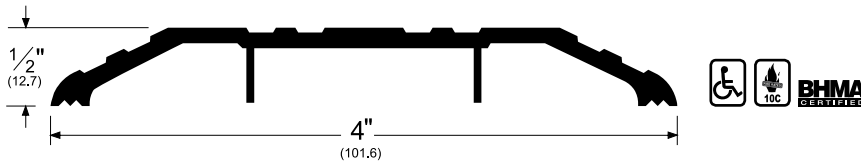


170_

AVAILABLE FINISHES: 10BE, A, B, BDG, BSP, D, WSP

ANSI (aluminum): J32100, J32130

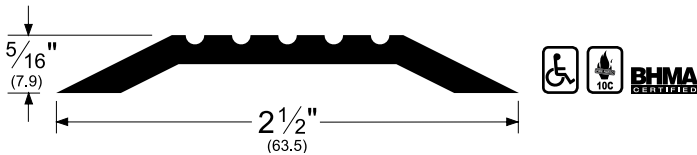
ANSI (brass): J12100, J12130



166_

AVAILABLE FINISHES: 10BE, A, BSP, D, WSP

ANSI (aluminum): J32100, J32130



NOTE: Products shown in this section may not be drawn to scale.

AVAILABLE FINISHES FOR PRODUCTS SHOWN ON THIS PAGE (see General Information section for finish chart)
10BE (Satin Bronze Powder Coated Aluminum) **A** (Mill Finish Aluminum) **B** (Mill Finish Extruded Bronze [Brass])
BDG (Bright Dip Gold Anodized) **BSP** (Black Suede Powder Coated Aluminum) **D** (Dark Bronze Anodized)
WSP (White Suede Powder Coated Aluminum)

ASSA ABLOY
Opening Solutions

Experience a safer
and more open world

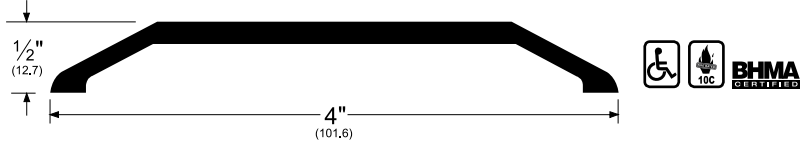
800-824-3018 | www.assaabloydooraccessories.us
Check the web site for the up-to-date catalog

Copyright © 2015-2021, ASSA ABLOY Accessories and Door Controls Group, Inc., an ASSA ABLOY Group company. All rights reserved.
Reproduction in whole or in part without the express written permission of ASSA ABLOY Accessories and Door Controls Group, Inc. is prohibited.

Saddle Thresholds (Cont.)

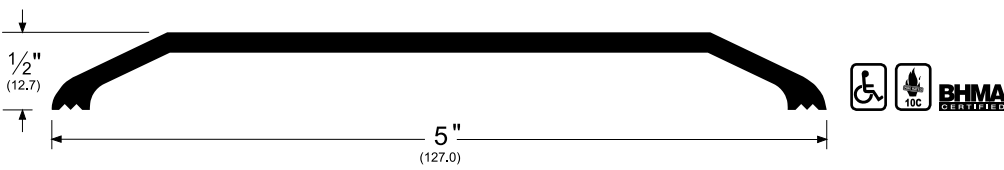
175_

AVAILABLE FINISHES: **10BE, A, B, BSP, D, WSP**
 ANSI (aluminum): **J32300, J32330**
 ANSI (brass): **J12300, J12330**



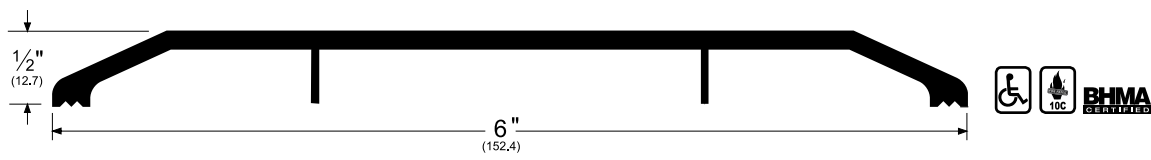
154_

AVAILABLE FINISHES: **10BE, A, BSP, D, WSP**
 ANSI (aluminum): **J32300, J32330**



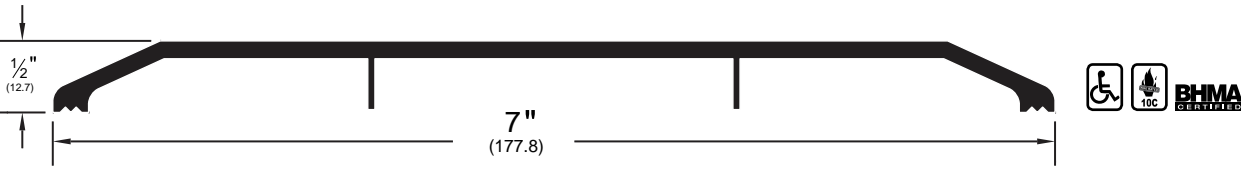
1546_

AVAILABLE FINISHES: **10BE, A, BSP, D, WSP**
 ANSI (aluminum): **J32300, J32330**



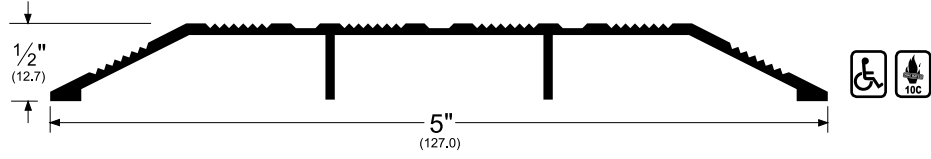
1547_

AVAILABLE FINISHES: **10BE, A, BSP, D, WSP**
 ANSI (aluminum): **J32300, J32330**



1710_

AVAILABLE FINISH: **10BE, A, BSP, D, WSP**



NOTE: Products shown in this section may not be drawn to scale.
 AVAILABLE FINISHES FOR PRODUCTS SHOWN ON THIS PAGE (see General Information section for finish chart)
10BE (Satin Bronze Powder Coated Aluminum) **A** (Mill Finish Aluminum) **B** (Mill Finish Extruded Bronze [Brass])
BSP (Black Suede Powder Coated Aluminum) **D** (Dark Bronze Anodized) **WSP** (White Suede Powder Coated Aluminum)

800-824-3018 | www.assaabloydooraccessories.us
 Check the web site for the up-to-date catalog

Copyright © 2015-2021, ASSA ABLOY Accessories and Door Controls Group, Inc., an ASSA ABLOY Group company. All rights reserved.
 Reproduction in whole or in part without the express written permission of ASSA ABLOY Accessories and Door Controls Group, Inc. is prohibited.

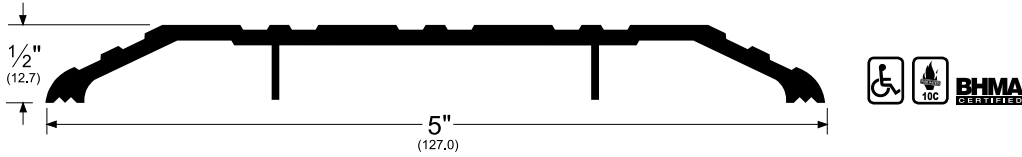
ASSA ABLOY
 Opening Solutions

Experience a safer
 and more open world

Saddle Thresholds (Cont.)

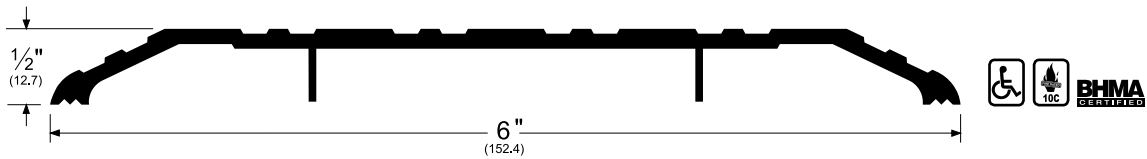
171_

AVAILABLE FINISHES: 10BE, A, B, BDG, BSP, D, G, WSP
 ANSI (aluminum): J32100, J32130
 ANSI (brass): J12100, J12130



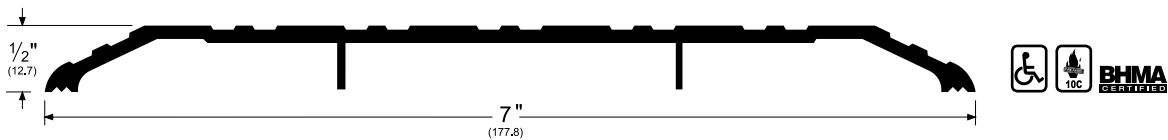
172_

AVAILABLE FINISHES: 10BE, A, B, BSP, D, G, WSP
 ANSI (aluminum): J32100, J32130
 ANSI (brass): J12100, J12130



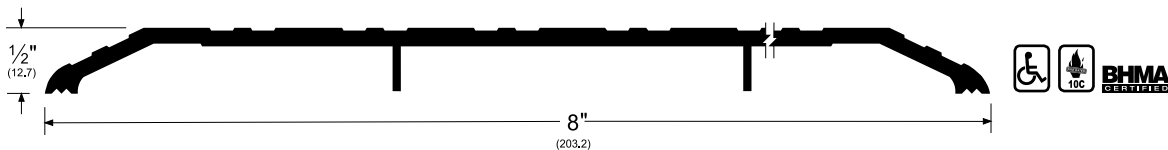
176_

AVAILABLE FINISHES: 10BE, A, B, BSP, D, G, WSP
 ANSI (aluminum): J32100, J32130, J39100, J39130, J39135, J39150
 ANSI (brass): J12100, J12130, J19100, J19130, J19135, J19150



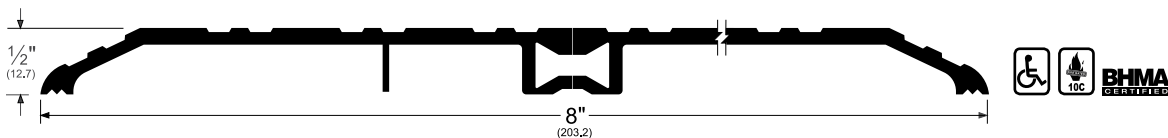
2548_

AVAILABLE FINISHES: 10BE, A, BSP, D, WSP
 ANSI (aluminum): J32100, J32130, J39100, J39130, J39135, J39150



254x4_

AVAILABLE FINISH: B
 ANSI (brass): J12100, J12130, J19100, J19130, J19135, J19150



Welded on bottom. Includes two support legs (only one shown due to break in drawing)

NOTE: Products shown in this section may not be drawn to scale.

AVAILABLE FINISHES FOR PRODUCTS SHOWN ON THIS PAGE (see General Information section for finish chart)
 10BE (Satin Bronze Powder Coated Aluminum) A (Mill Finish Aluminum) B (Mill Finish Extruded Bronze [Brass])
 BDG (Bright Dip Gold Anodized) BSP (Black Suede Powder Coated Aluminum) D (Dark Bronze Anodized)
 G (Gold Anodized) SN (Satin Nickel Anodized) WSP (White Suede Powder Coated Aluminum)

NOTE: G, SN are available with limited inventory

ASSA ABLOY
 Opening Solutions

Experience a safer
 and more open world

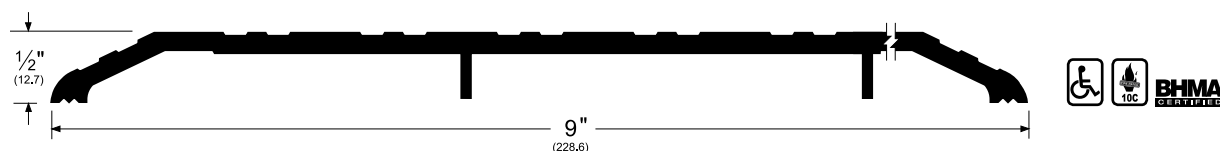
800-824-3018 | www.assaabloydooraccessories.us
 Check the web site for the up-to-date catalog

Copyright © 2015-2021, ASSA ABLOY Accessories and Door Controls Group, Inc., an ASSA ABLOY Group company. All rights reserved.
 Reproduction in whole or in part without the express written permission of ASSA ABLOY Accessories and Door Controls Group, Inc. is prohibited.

Saddle Thresholds (Cont.)

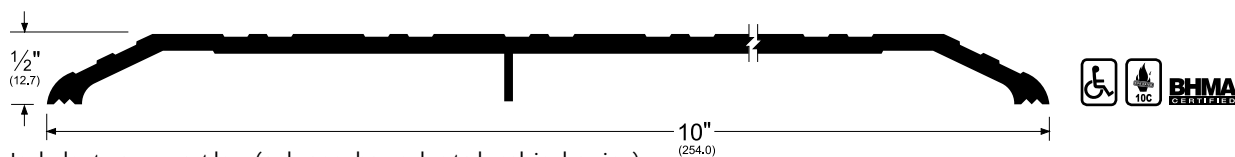
2549_

AVAILABLE FINISHES: **10BE, A, BSP, D, WSP**
ANSI (aluminum): **J32100, J32130**



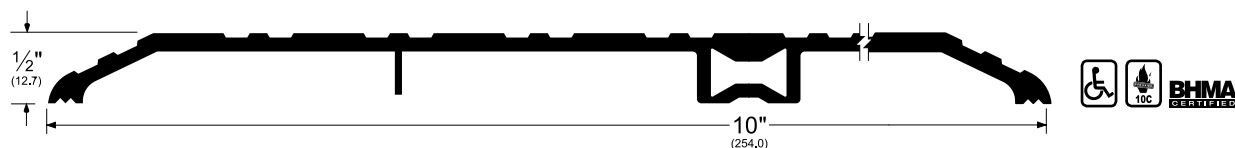
2550_

AVAILABLE FINISHES: **10BE, A, BSP, D, WSP**
ANSI (aluminum): **J32100, J32130**



255x5_

AVAILABLE FINISH: **B**
ANSI (brass): **J12100, J12130**



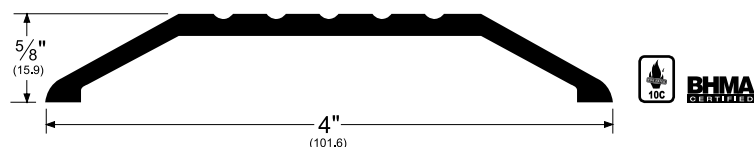
256x6_

AVAILABLE FINISHES: **10BE, A, BSP, D, WSP**
ANSI (aluminum): **J32100, J32130**



198_

AVAILABLE FINISHES: **10BE, A, BSP, D, WSP**
ANSI (aluminum): **J32100**
ANSI (brass): **J12100**



NOTE: Products shown in this section may not be drawn to scale.

AVAILABLE FINISHES FOR PRODUCTS SHOWN ON THIS PAGE (see General Information section for finish chart)
10BE (Satin Bronze Powder Coated Aluminum) **A** (Mill Finish Aluminum) **B** (Mill Finish Extruded Bronze [Brass])
BSP (Black Suede Powder Coated Aluminum) **D** (Dark Bronze Anodized) **WSP** (White Suede Powder Coated Aluminum)

800-824-3018 | www.assaabloydooraccessories.us
Check the web site for the up-to-date catalog

Copyright © 2015-2021, ASSA ABLOY Accessories and Door Controls Group, Inc., an ASSA ABLOY Group company. All rights reserved.
Reproduction in whole or in part without the express written permission of ASSA ABLOY Accessories and Door Controls Group, Inc. is prohibited.

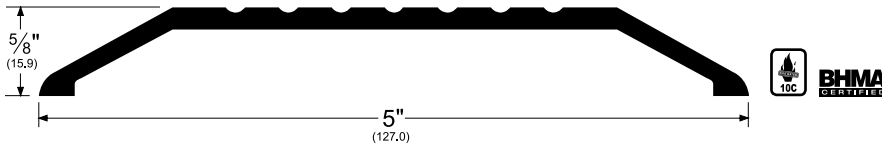
ASSA ABLOY
Opening Solutions

Experience a safer
and more open world

Saddle Thresholds (Cont)

156_

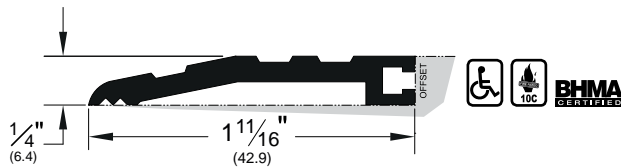
AVAILABLE FINISHES: 10BE, A, BSP, D, WSP
ANSI (aluminum): J32100



Half Saddle Thresholds

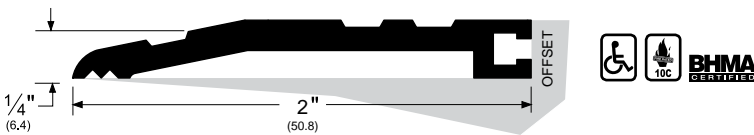
278_

AVAILABLE FINISHES: 10BE, A, BSP, D, WSP
ANSI (aluminum): J33100, J33130, J33133



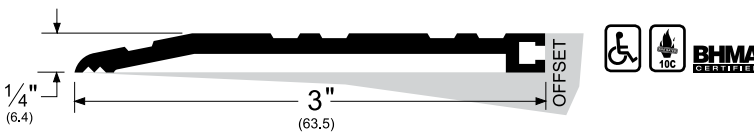
279_

AVAILABLE FINISHES: 10BE, A, BSP, D, WSP
ANSI (aluminum): J33100, J33130, J33133



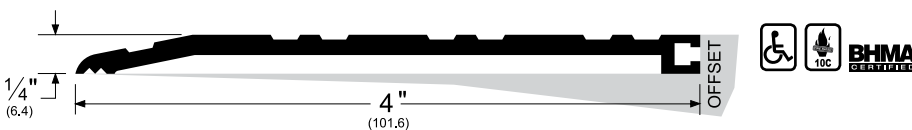
273_

AVAILABLE FINISHES: 10BE, A, B, BSP, D, WSP
ANSI (aluminum): J33100, J33130, J33133
ANSI (brass): J13100, J13130, J13133



274_

AVAILABLE FINISHES: 10BE, A, B, BSP, D, WSP
ANSI (aluminum): J33100, J33130, J33133
ANSI (brass): J13100, J13130, J13133



NOTE: Products shown in this section may not be drawn to scale.

AVAILABLE FINISHES FOR PRODUCTS SHOWN ON THIS PAGE (see General Information section for finish chart)
10BE (Satin Bronze Powder Coated Aluminum) A (Mill Finish Aluminum) B (Mill Finish Extruded Bronze [Brass])
BSP (Black Suede Powder Coated Aluminum) D (Dark Bronze Anodized) WSP (White Suede Powder Coated Aluminum)

ASSA ABLOY
Opening Solutions

Experience a safer
and more open world

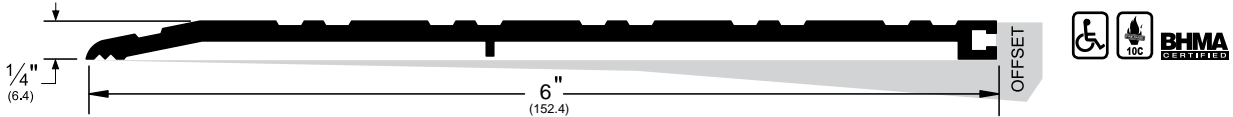
800-824-3018 | www.assaabloydooraccessories.us
Check the web site for the up-to-date catalog

Copyright © 2015-2021, ASSA ABLOY Accessories and Door Controls Group, Inc., an ASSA ABLOY Group company. All rights reserved.
Reproduction in whole or in part without the express written permission of ASSA ABLOY Accessories and Door Controls Group, Inc. is prohibited.

Half Saddle Thresholds

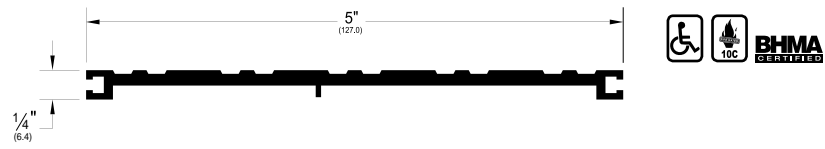
2746_

AVAILABLE FINISHES: 10BE, A, BSP, D, WSP
ANSI (aluminum): J33100, J33130, J33133



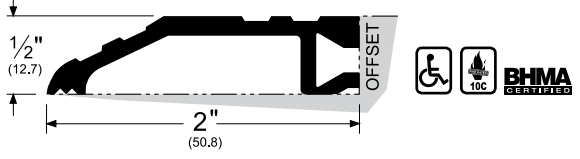
2755_

AVAILABLE FINISHES: 10BE, A, BSP, D, WSP
Ratings: ADA, 10c, BHMA



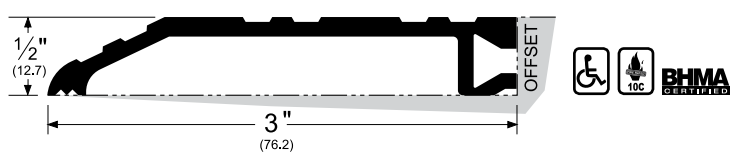
252_

AVAILABLE FINISHES: 10BE, A, B, BSP, D, G, WSP
ANSI (aluminum): J33100, J33130
ANSI (brass): J13100, J13130



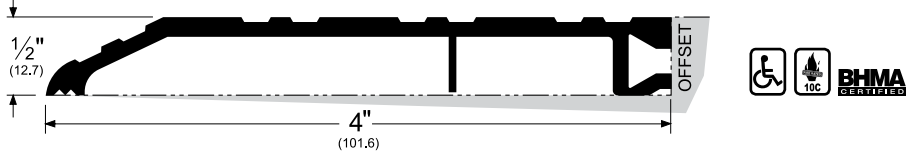
253_

AVAILABLE FINISHES: 10BE, A, B, BSP, D, G, WSP
ANSI (aluminum): J33100, J33130
ANSI (brass): J13100, J13130



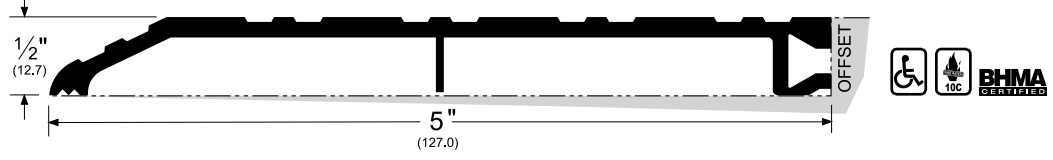
254_

AVAILABLE FINISHES: 10BE, A, B, BSP, D, G, WSP
ANSI (aluminum): J33100, J33130
ANSI (brass): J13100, J13130



255_

AVAILABLE FINISHES: 10BE, A, B, BSP, D, G, WSP
ANSI (aluminum): J33100, J33130
ANSI (brass): J13100, J13130



NOTE: Products shown in this section may not be drawn to scale.
AVAILABLE FINISHES FOR PRODUCTS SHOWN ON THIS PAGE (see General Information section for finish chart)
10BE (Satin Bronze Powder Coated Aluminum) A (Mill Finish Aluminum) B (Mill Finish Extruded Bronze [Brass])
BSP (Black Suede Powder Coated Aluminum) D (Dark Bronze Anodized) G (Gold Anodized)
WSP (White Suede Powder Coated Aluminum)

NOTE: G is available with limited inventory
800-824-3018 | www.assaabloydooraccessories.us
Check the web site for the up-to-date catalog

Copyright © 2015-2021, ASSA ABLOY Accessories and Door Controls Group, Inc., an ASSA ABLOY Group company. All rights reserved. Reproduction in whole or in part without the express written permission of ASSA ABLOY Accessories and Door Controls Group, Inc. is prohibited.

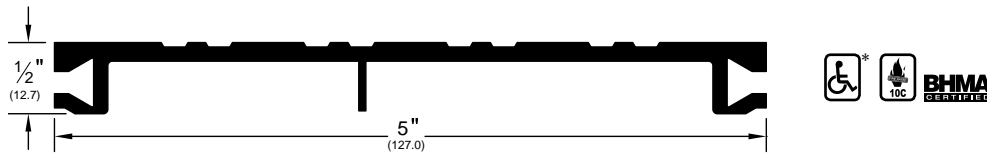
ASSA ABLOY
Opening Solutions

Experience a safer
and more open world

Half Saddle Thresholds (Cont.)

2555_

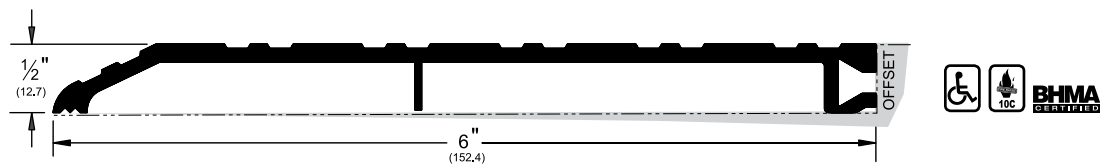
AVAILABLE FINISHES: **10BE, A, BSP, D, WSP**
ANSI (aluminum): **J33100**



* 2555_ can be combined with other half saddles on one or both sides. If combined only on one side, the opposite side should be mounted flush with an existing offset. Either stated application is required for this to be ADA-compliant.

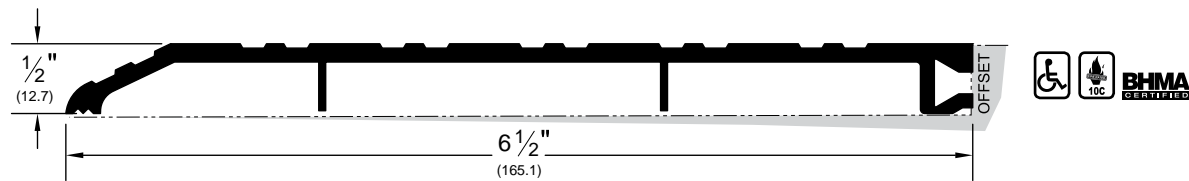
256_

AVAILABLE FINISHES: **10BE, A, BSP, D, WSP**
ANSI (aluminum): **J33100, J33130**



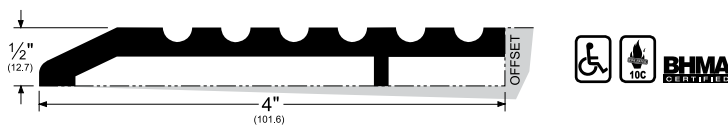
2565_

AVAILABLE FINISHES: **10BE, A, BSP, D, WSP**
ANSI (aluminum): **J33100, J33130**



227_

AVAILABLE FINISHES: **10BE, A, BSP, D, WSP**
ANSI (aluminum): **J33100, J33130**
ANSI (brass): **J13100, J13130**



229_

AVAILABLE FINISHES: **10BE, A, BSP, D, WSP**
ANSI (aluminum): **J33100, J33130**



NOTE: the 227 and 229 can be welded to floor plates and supports (page 136-137), to create custom thresholds which have the same fluting pattern.

NOTE: Products shown in this section may not be drawn to scale.

AVAILABLE FINISHES FOR PRODUCTS SHOWN ON THIS PAGE (see General Information section for finish chart)
10BE (Satin Bronze Powder Coated Aluminum) **A** (Mill Finish Aluminum) **B** (Mill Finish Extruded Bronze [Brass])
BSP (Black Suede Powder Coated Aluminum) **D** (Dark Bronze Anodized) **WSP** (White Suede Powder Coated Aluminum)

ASSA ABLOY
Opening Solutions

Experience a safer
and more open world

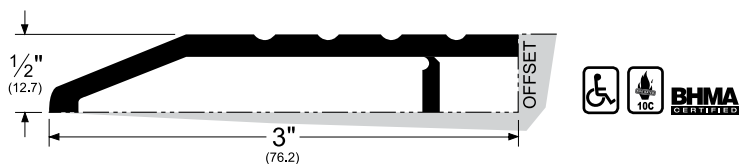
800-824-3018 | www.assaabloydooraccessories.us
Check the web site for the up-to-date catalog

Copyright © 2015-2021, ASSA ABLOY Accessories and Door Controls Group, Inc., an ASSA ABLOY Group company. All rights reserved.
Reproduction in whole or in part without the express written permission of ASSA ABLOY Accessories and Door Controls Group, Inc. is prohibited.

Half Saddle Thresholds (Cont.)

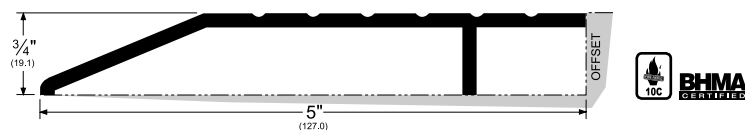
168_

AVAILABLE FINISHES: 10BE, A, BSP, D, WSP
ANSI (aluminum): J33100, J33130



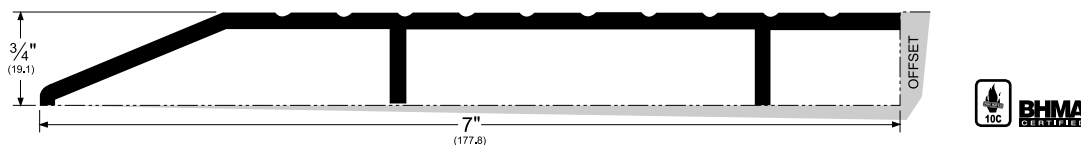
1875_

AVAILABLE FINISHES: 10BE, A, BSP, D, WSP
ANSI (aluminum): J33100



1877_

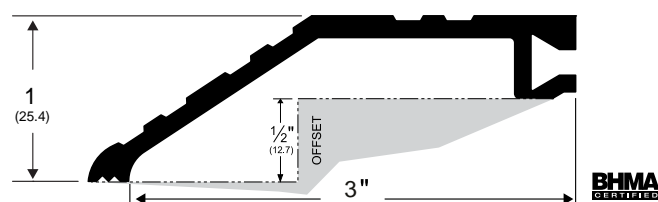
AVAILABLE FINISHES: 10BE, A, BSP, D, WSP
ANSI (aluminum): J33100, J33130



Offset Half Saddles

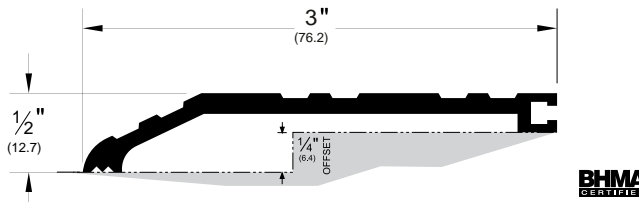
566_

AVAILABLE FINISHES: A, BSP, D, WSP, 10BE



766_

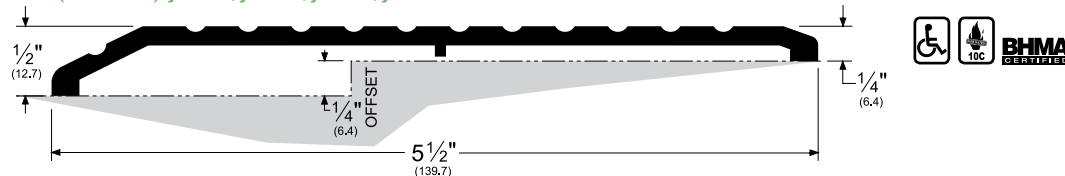
AVAILABLE FINISHES: A, BSP, D, WSP, 10BE



Offset Saddles

158_

AVAILABLE FINISHES: 10BE, A, BSP, D, WSP
ANSI (aluminum): J32100, J32130, J32138, J32180



NOTE: Products shown in this section may not be drawn to scale.

AVAILABLE FINISHES FOR PRODUCTS SHOWN ON THIS PAGE (see General Information section for finish chart)
10BE (Satin Bronze Powder Coated Aluminum) A (Mill Finish Aluminum) B (Mill Finish Extruded Bronze [Brass])
BSP (Black Suede Powder Coated Aluminum) D (Dark Bronze Anodized) WSP (White Suede Powder Coated Aluminum)

800-824-3018 | www.assaabloydooraccessories.us
Check the web site for the up-to-date catalog

Copyright © 2015-2021, ASSA ABLOY Accessories and Door Controls Group, Inc., an ASSA ABLOY Group company. All rights reserved.
Reproduction in whole or in part without the express written permission of ASSA ABLOY Accessories and Door Controls Group, Inc. is prohibited.

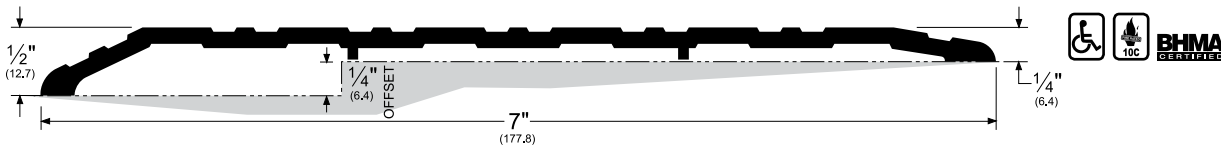
ASSA ABLOY
Opening Solutions

Experience a safer
and more open world

Offset Saddles (Cont.)

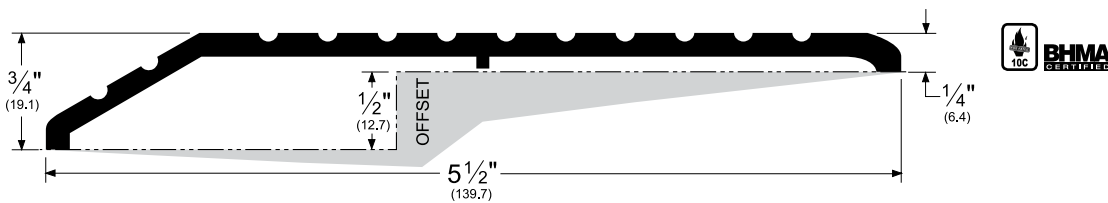
2727_

AVAILABLE FINISHES: 10BE, A, BSP, D, WSP
ANSI (aluminum): J32100, J32130, J32138, J32180



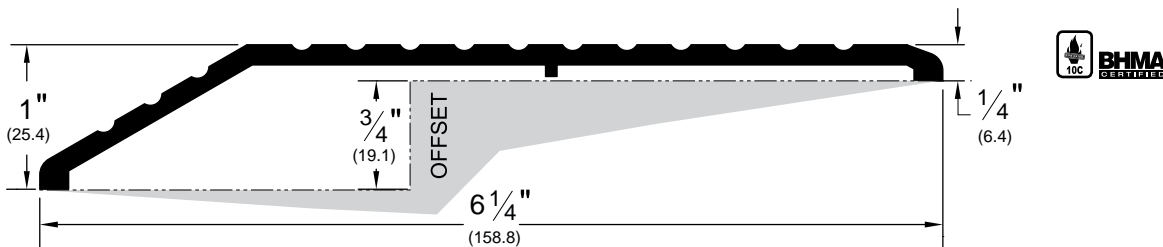
157_

AVAILABLE FINISHES: 10BE, A, BSP, D, WSP
ANSI (aluminum): J32100, J32180, J33100



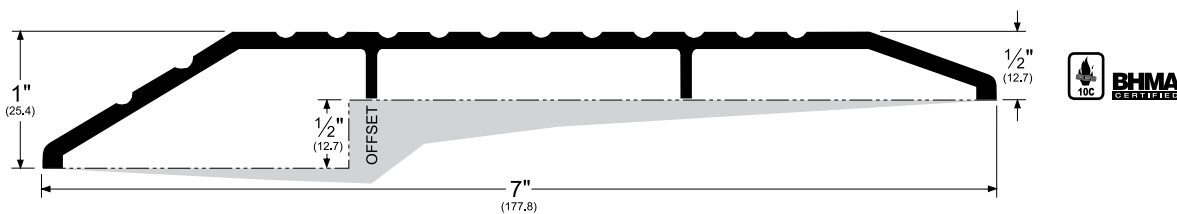
1571_

AVAILABLE FINISHES: 10BE, A, BSP, D, WSP
ANSI (aluminum): J32100, J32180, J33100



182_

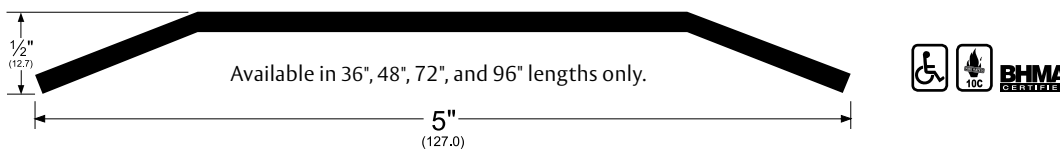
AVAILABLE FINISHES: 10BE, A, BSP, D, WSP
ANSI (aluminum): J32100, J32180, J33100



Stainless Steel Saddles

154SS_

AVAILABLE FINISH: SS (#4, Brushed Finish)
ANSI: J52300, J52330



NOTE: Products shown in this section may not be drawn to scale.

AVAILABLE FINISHES FOR PRODUCTS SHOWN ON THIS PAGE (see General Information section for finish chart)
10BE (Satin Bronze Powder Coated Aluminum) A (Mill Finish Aluminum) B (Mill Finish Extruded Bronze [Brass])
BSP (Black Suede Powder Coated Aluminum) D (Dark Bronze Anodized) WSP (White Suede Powder Coated Aluminum)
SS (See Individual Part)

ASSA ABLOY
Opening Solutions

Experience a safer
and more open world

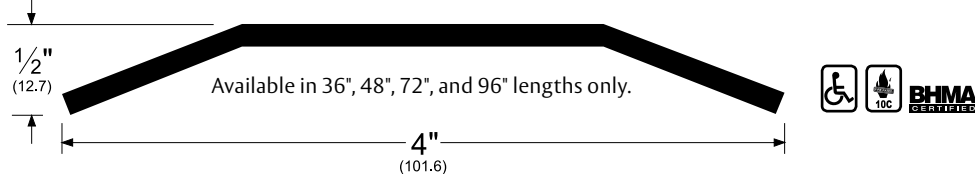
800-824-3018 | www.assaabloydooraccessories.us
Check the web site for the up-to-date catalog

Copyright © 2015-2021, ASSA ABLOY Accessories and Door Controls Group, Inc., an ASSA ABLOY company. All rights reserved.
Reproduction in whole or in part without the express written permission of ASSA ABLOY Accessories and Door Controls Group, Inc. is prohibited.

Stainless Steel Saddles (Cont.)

175SS_

AVAILABLE FINISH: **SS (#4, Brushed Finish)**
ANSI: **J52300, J52330**

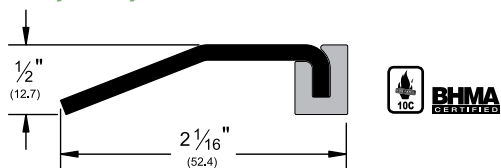


Stainless Steel Half Saddles

- Available in 36", 48", 72", and 96" lengths only.

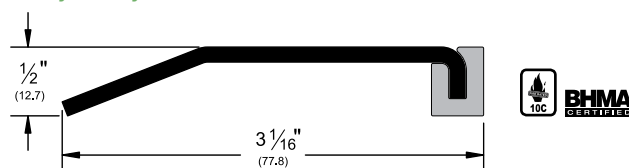
252SS_

AVAILABLE FINISH: **SS (#4, Brushed Finish)**
ANSI: **J52300, J52330**



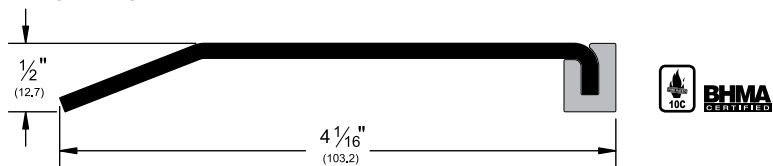
253SS_

AVAILABLE FINISH: **SS (#4, Brushed Finish)**
ANSI: **J52300, J52330**



254SS_

AVAILABLE FINISH: **SS (#4, Brushed Finish)**
ANSI: **J52300, J52330**

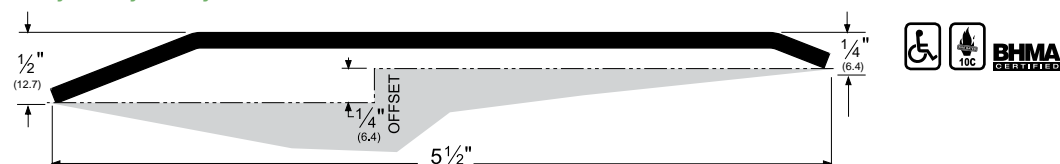


Stainless Steel Offset Saddles

- Available in 36", 48", 72", and 96" lengths only.

158SS_

AVAILABLE FINISH: **SS (#4, Brushed Finish)**
ANSI: **J52300, J52380, J52388**



NOTE: Products shown in this section may not be drawn to scale.

AVAILABLE FINISHES FOR PRODUCTS SHOWN ON THIS PAGE (see General Information section for finish chart)
SS (See Individual Part)

800-824-3018 | www.assaabloydooraccessories.us
Check the web site for the up-to-date catalog

Copyright © 2015-2021, ASSA ABLOY Accessories and Door Controls Group, Inc., an ASSA ABLOY Group company. All rights reserved.
Reproduction in whole or in part without the express written permission of ASSA ABLOY Accessories and Door Controls Group, Inc. is prohibited.

ASSA ABLOY
Opening Solutions

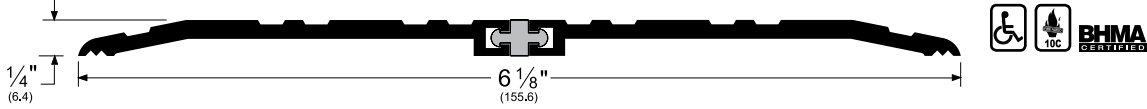
Experience a safer
and more open world

Thermal Break Saddles

- Black rigid polypropylene key between extrusions provides a thermal break (designated by "FG" Frost Guard following finish code)

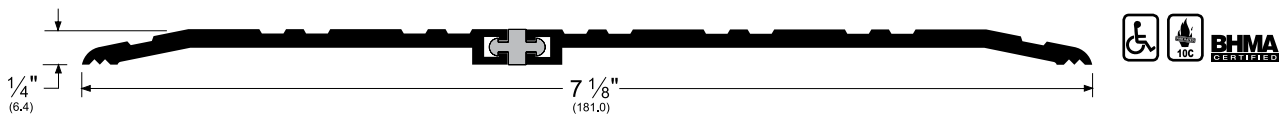
273x3_FG

AVAILABLE FINISHES: 10BE, A, B, BSP, D, WSP
ANSI (aluminum): J32139, J32190, J32193
ANSI (brass): J12139, J12190, J12193



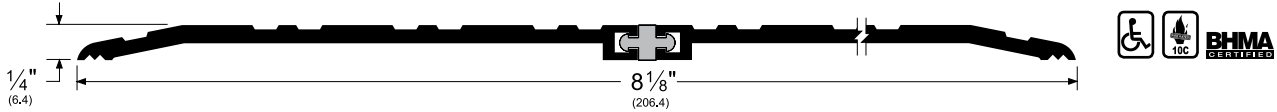
273x4_FG

AVAILABLE FINISHES: 10BE, A, B, BSP, D, WSP
ANSI (aluminum): J32139, J32190, J32193
ANSI (brass): J12139, J12190, J12193



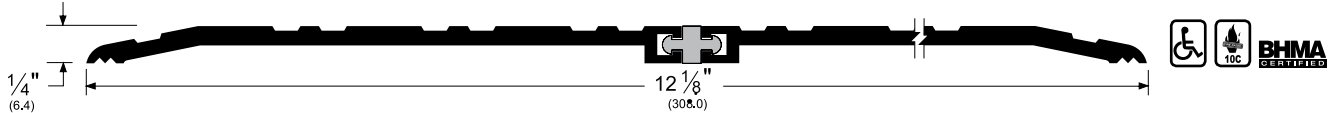
274x4_FG

AVAILABLE FINISHES: 10BE, A, B, BSP, D, WSP
ANSI (aluminum): J32139, J32190, J32193
ANSI (brass): J12139, J12190, J12193



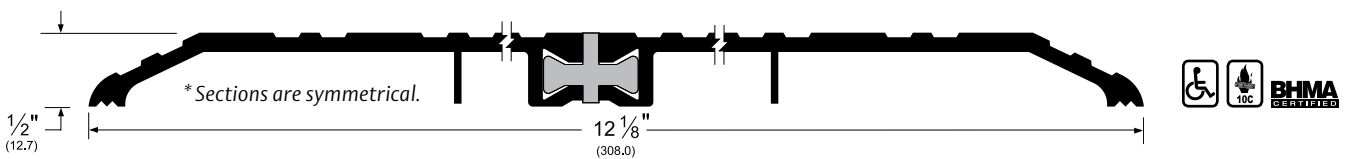
2746x6_FG

AVAILABLE FINISHES: 10BE, A, BSP, D, WSP
ANSI (aluminum): J32139, J32190, J32193



256x6_FG

AVAILABLE FINISHES: 10BE, A, BSP, D, WSP
ANSI (aluminum): J32139, J32190, J32193



NOTE: Products shown in this section may not be drawn to scale.

AVAILABLE FINISHES FOR PRODUCTS SHOWN ON THIS PAGE (see General Information section for finish chart)

10BE (Satin Bronze Powder Coated Aluminum) A (Mill Finish Aluminum) B (Mill Finish Extruded Bronze [Brass])

BSP (Black Suede Powder Coated Aluminum) D (Dark Bronze Anodized) WSP (White Suede Powder Coated Aluminum)

ASSA ABLOY
Opening Solutions

Experience a safer
and more open world

800-824-3018 | www.assaabloydooraccessories.us

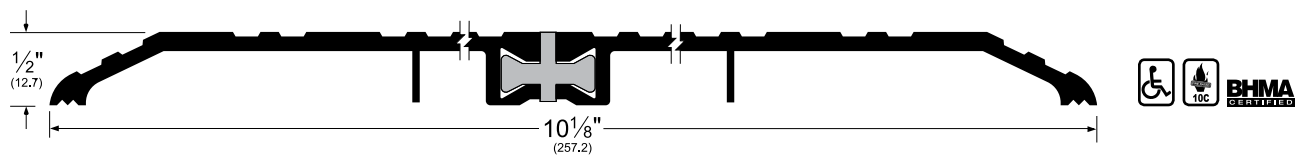
Check the web site for the up-to-date catalog

Copyright © 2015-2021, ASSA ABLOY Accessories and Door Controls Group, Inc., an ASSA ABLOY company. All rights reserved. Reproduction in whole or in part without the express written permission of ASSA ABLOY Accessories and Door Controls Group, Inc. is prohibited.

Thermal Break Saddles (Cont.)

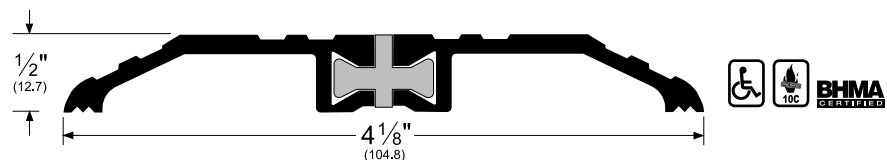
255x5_FG

AVAILABLE FINISHES: 10BE, A, B, BSP, D, WSP
 ANSI (aluminum): J32139, J32190, J32193
 ANSI (brass): J12139, J12190, J12193



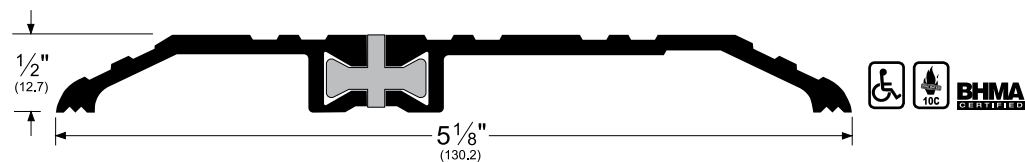
252x2_FG

AVAILABLE FINISHES: 10BE, A, B, BSP, D, WSP
 ANSI (aluminum): J32139, J32190, J32193
 ANSI (brass): J12139, J12190, J12193



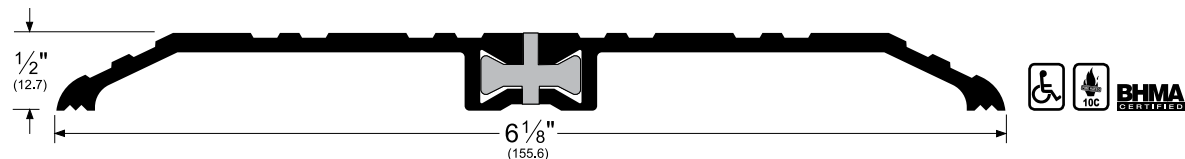
252x3_FG

AVAILABLE FINISHES: 10BE, A, B, BSP, D, WSP
 ANSI (aluminum): J32139, J32190, J32193
 ANSI (brass): J12139, J12190, J12193



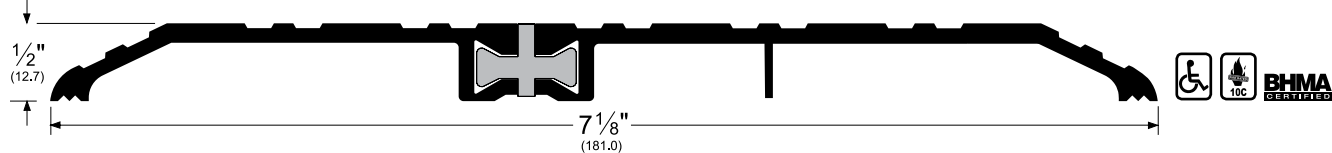
253x3_FG

AVAILABLE FINISHES: 10BE, A, B, BSP, D, WSP
 ANSI (aluminum): J32139, J32190, J32193
 ANSI (brass): J12139, J12190, J12193



253x4_FG

AVAILABLE FINISHES: 10BE, A, B, BSP, D, WSP
 ANSI (aluminum): J32139, J32190, J32193
 ANSI (brass): J12139, J12190, J12193



NOTE: Products shown in this section may not be drawn to scale.

AVAILABLE FINISHES FOR PRODUCTS SHOWN ON THIS PAGE (see General Information section for finish chart)
10BE (Satin Bronze Powder Coated Aluminum) **A** (Mill Finish Aluminum) **B** (Mill Finish Extruded Bronze [Brass])
BSP (Black Suede Powder Coated Aluminum) **D** (Dark Bronze Anodized) **WSP** (White Suede Powder Coated Aluminum)

800-824-3018 | www.assaabloydooraccessories.us
 Check the web site for the up-to-date catalog

Copyright © 2015-2021, ASSA ABLOY Accessories and Door Controls Group, Inc., an ASSA ABLOY Group company. All rights reserved.
 Reproduction in whole or in part without the express written permission of ASSA ABLOY Accessories and Door Controls Group, Inc. is prohibited.

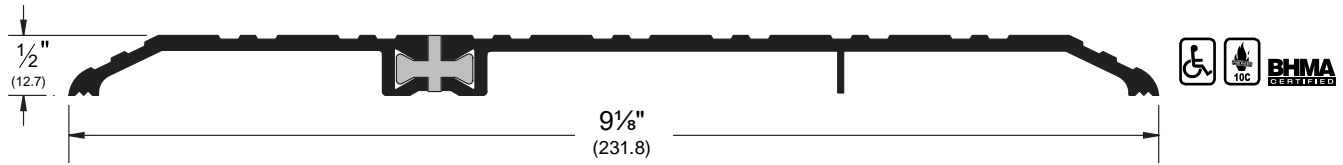
ASSA ABLOY
 Opening Solutions

Experience a safer
 and more open world

Thermal Break Saddles (Cont.)

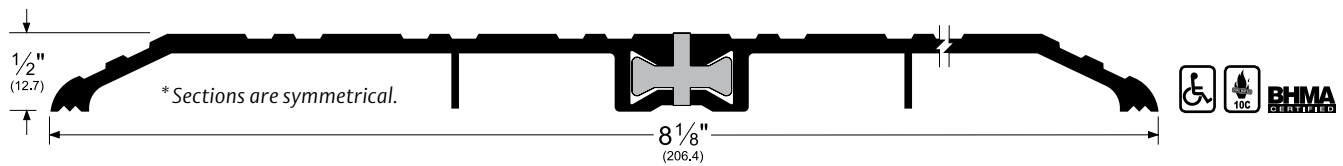
253x6_FG

AVAILABLE FINISHES: 10BE, A, BSP, D, WSP
ANSI (aluminum): J32139, J32190, J32193



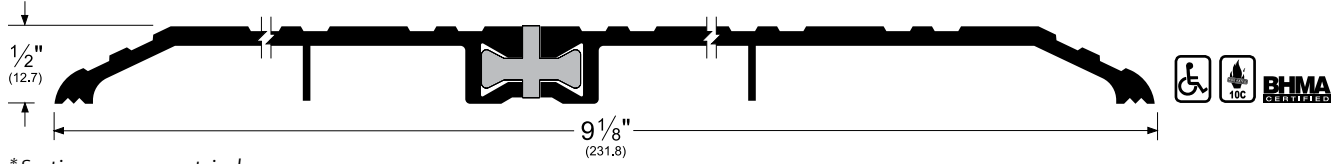
254x4_FG

AVAILABLE FINISHES: 10BE, A, B, BSP, D, WSP
ANSI (aluminum): J32139, J32190, J32193
ANSI (brass): J12139, J12190, J12193



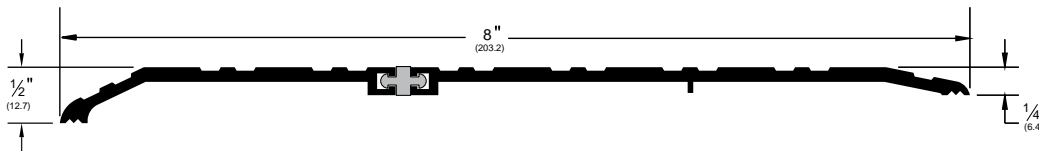
254x5_FG

AVAILABLE FINISHES: 10BE, A, B, BSP, D, WSP
ANSI (aluminum): J32139, J32190, J32193
ANSI (brass): J12139, J12190, J12193



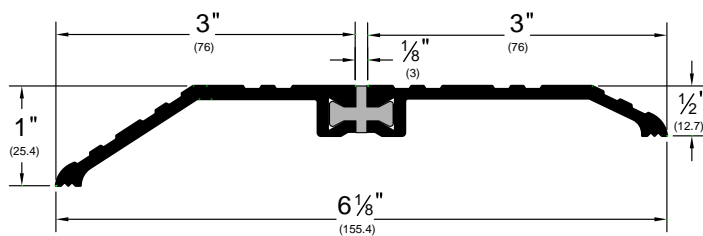
766x5_FG

AVAILABLE FINISHES: 10BE, A, BSP, D, WSP
ANSI (aluminum): J32139, J32190, J32193, J32189, J32180
ANSI (brass): J12139, J12190, J12193, J12189, J12180



566x3_FG

AVAILABLE FINISHES: 10BE, A, BSP, D, WSP
ANSI (aluminum): J32189, J32190, J32180



NOTE: Products shown in this section may not be drawn to scale.

AVAILABLE FINISHES FOR PRODUCTS SHOWN ON THIS PAGE (see General Information section for finish chart)

10BE (Satin Bronze Powder Coated Aluminum) A (Mill Finish Aluminum) B (Mill Finish Extruded Bronze [Brass])

BSP (Black Suede Powder Coated Aluminum) D (Dark Bronze Anodized) WSP (White Suede Powder Coated Aluminum)

ASSA ABLOY
Opening Solutions

Experience a safer
and more open world

800-824-3018 | www.assaabloydooraccessories.us

Check the web site for the up-to-date catalog

Copyright © 2015-2021, ASSA ABLOY Accessories and Door Controls Group, Inc., an ASSA ABLOY company. All rights reserved. Reproduction in whole or in part without the express written permission of ASSA ABLOY Accessories and Door Controls Group, Inc. is prohibited.

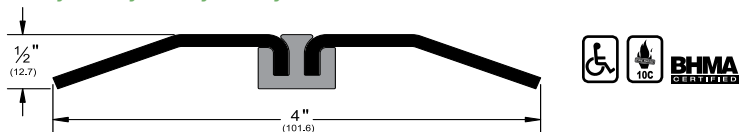
Stainless Steel Thermal Break Threshold

- Black rigid polypropylene key between extrusions provides a thermal barrier (designated by "FG" Frost Guard following finish code)
- Available in 36", 48", 72", and 96" lengths only

252x2SSFG

AVAILABLE FINISH: **SS (#4, Brushed Finish)**

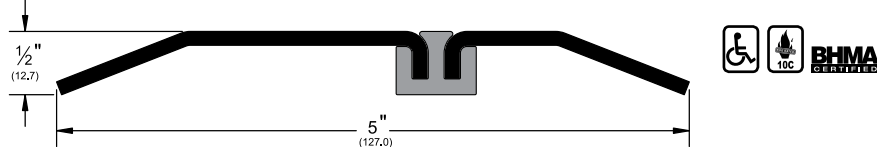
ANSI: **J52330, J52339, J52390, J52393**



252x3SSFG

AVAILABLE FINISH: **SS (#4, Brushed Finish)**

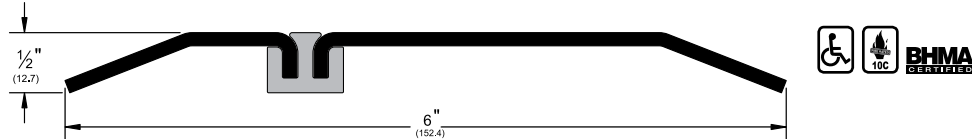
ANSI: **J52330, J52339, J52390, J52393**



252x4SSFG

AVAILABLE FINISH: **SS (#4, Brushed Finish)**

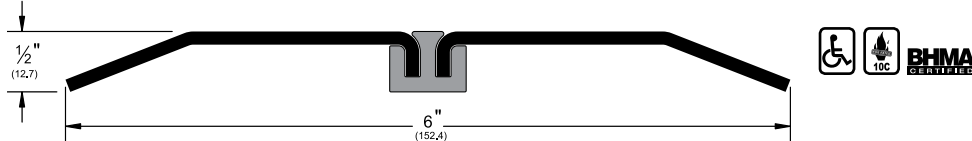
ANSI: **J52330, J52339, J52390, J52393**



253x3SSFG

AVAILABLE FINISH: **SS (#4, Brushed Finish)**

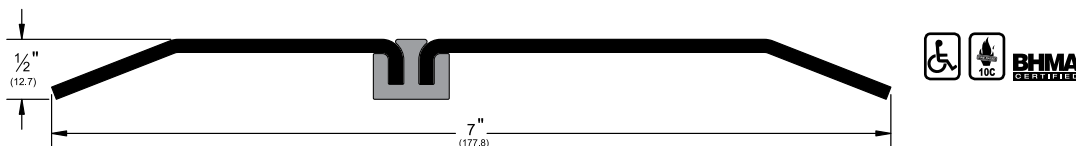
ANSI: **J52330, J52339, J52390, J52393**



253x4SSFG

AVAILABLE FINISH: **SS (#4, Brushed Finish)**

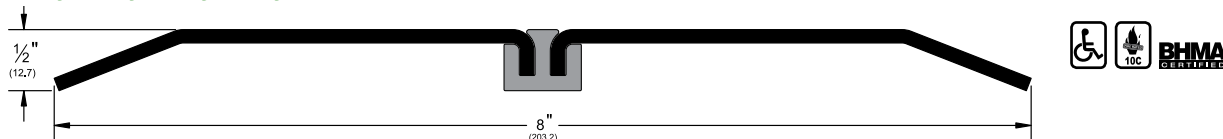
ANSI: **J52330, J52339, J52390, J52393**



254x4SSFG

AVAILABLE FINISH: **SS (#4, Brushed Finish)**

ANSI: **J52330, J52339, J52390, J52393**



NOTE: Products shown in this section may not be drawn to scale.

AVAILABLE FINISHES FOR PRODUCTS SHOWN ON THIS PAGE (see General Information section for finish chart)

SS (See Individual Part)

800-824-3018 | www.assaabloydooraccessories.us

Check the web site for the up-to-date catalog

Copyright © 2015-2021, ASSA ABLOY Accessories and Door Controls Group, Inc., an ASSA ABLOY Group company. All rights reserved. Reproduction in whole or in part without the express written permission of ASSA ABLOY Accessories and Door Controls Group, Inc. is prohibited.

ASSA ABLOY
Opening Solutions

Experience a safer
and more open world

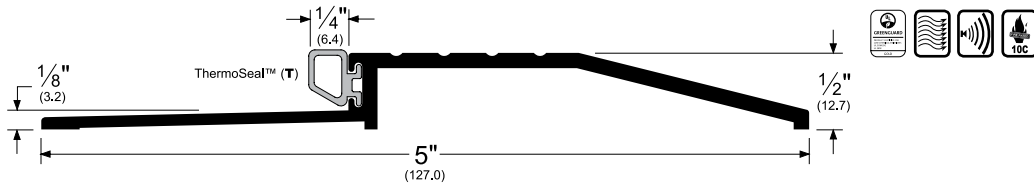
Latching Panic Exit Saddles

- Used in conjunction with surface applied vertical rod exit device, or as a stop and a seal at the bottom of door
- For offset applications, use an elevator (see page 137)
- **2006_T and 2007_T** are only ADA compliant when installed butted to 1/4" tile or other floor material

2001_T

AVAILABLE FINISHES: **10BE, A, BSP, D, WSP**
 REPLACEMENT INSERT: **T5 (BL)**

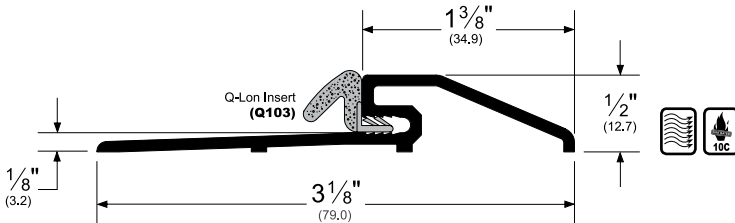
- Allow 1/4" door clearance
- Special purpose bumper threshold designed for use with a low 1/4" to 3/8" undercut door.



2002_Q

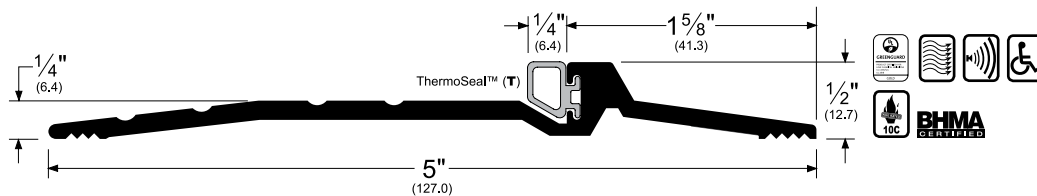
AVAILABLE FINISHES: **10BE, A, BSP, D, WSP**
 Replacement Insert: **Q103 (D, W)**

- Allow 1/4" door clearance
- Must specify gasket color when ordering



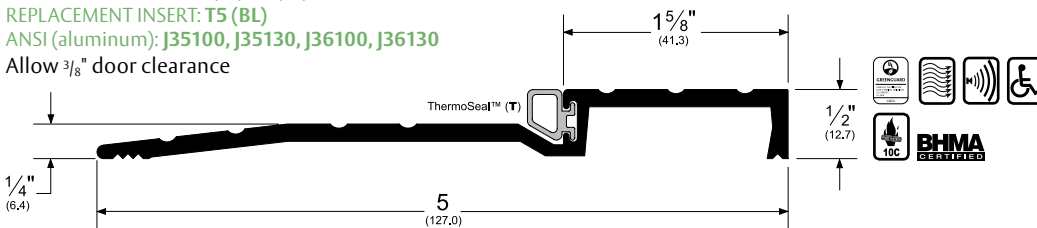
2005_T

AVAILABLE FINISH: **10BE, A, B, BSP, D, G, WSP**
 REPLACEMENT INSERT: **T5 (BL)**
 ANSI (aluminum): **J35100, J35130, J36100, J36130**
 ANSI (brass): **J15100, J15130, J16100, J16130**
 Allow 3/8" door clearance



2006_T

AVAILABLE FINISH: **10BE, A, BSP, D, WSP**
 REPLACEMENT INSERT: **T5 (BL)**
 ANSI (aluminum): **J35100, J35130, J36100, J36130**
 Allow 3/8" door clearance



Alternate Inserts	
	pile (P)
	2001_P
	2005_P
	2006_P
	2007_P
REPLACEMENT INSERT: P2 (BL, W)	
	Eco-V™(V)
	2001_V
	2005_V
	2006_V
	2007_V
REPLACEMENT INSERT: EV41 (BL, GR, W)	

NOTE: Products shown in this section may not be drawn to scale.

AVAILABLE FINISHES FOR PRODUCTS SHOWN ON THIS PAGE (see General Information section for finish chart)
10BE (Satin Bronze Powder Coated Aluminum) **A** (Mill Finish Aluminum) **B** (Mill Finish Extruded Bronze [Brass])
BSP (Black Suede Powder Coated Aluminum) **D** (Dark Bronze Anodized) **G** (Gold Anodized)
WSP (White Suede Powder Coated Aluminum)

NOTE: **G** is available with limited inventory

ASSA ABLOY
 Opening Solutions

Experience a safer
 and more open world

800-824-3018 | www.assaabloydooraccessories.us

Check the web site for the up-to-date catalog

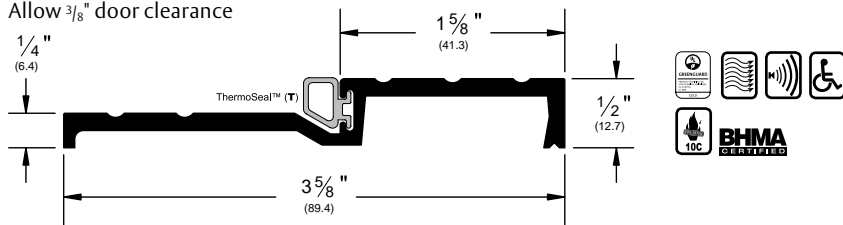
Copyright © 2015-2021, ASSA ABLOY Accessories and Door Controls Group, Inc., an ASSA ABLOY company. All rights reserved.
 Reproduction in whole or in part without the express written permission of ASSA ABLOY Accessories and Door Controls Group, Inc. is prohibited.

Latching Panic Exit Saddles (Cont.)

2007_T

AVAILABLE FINISHES: **10BE, A, BSP, D, WSP**
 REPLACEMENT INSERT: **T5 (BL)**
 ANSI (aluminum): **J35100, J35130, J36100, J36130**

Allow $\frac{3}{8}$ " door clearance



Alternate Inserts



pile (P)

2007_P

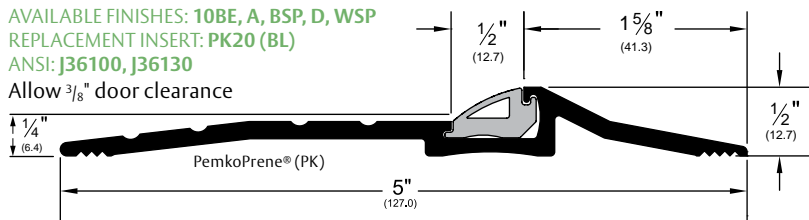
REPLACEMENT INSERT:
P2 (BL, W)



2009_PK

AVAILABLE FINISHES: **10BE, A, BSP, D, WSP**
 REPLACEMENT INSERT: **PK20 (BL)**
 ANSI: **J36100, J36130**

Allow $\frac{3}{8}$ " door clearance



U.S. Patent No. 9,920,567



Eco-V™ (V)

2007_V

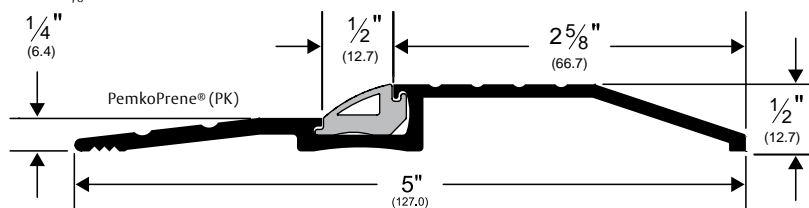
REPLACEMENT INSERT:
EV41 (BL, GR, W)



2010_PK

AVAILABLE FINISHES: **10BE, A, BSP, D, WSP**
 REPLACEMENT INSERT: **PK20 (BL)**
 ANSI: **J36100, J36130**

Allow $\frac{3}{8}$ " door clearance



Alternate Inserts



pile (P)

179_P

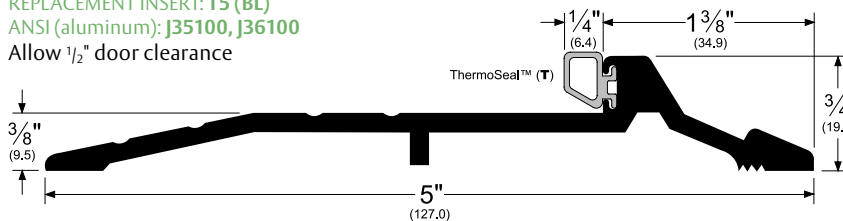
REPLACEMENT INSERT:
P2 (BL, W)



179_T

AVAILABLE FINISHES: **10BE, A, BSP, D, WSP**
 REPLACEMENT INSERT: **T5 (BL)**
 ANSI (aluminum): **J35100, J36100**

Allow $\frac{1}{2}$ " door clearance



Eco-V™ (V)

179_V

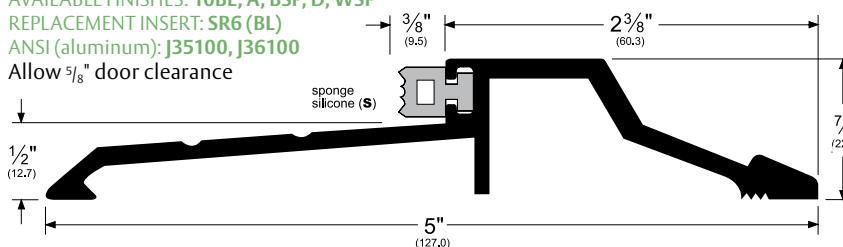
REPLACEMENT INSERT:
EV41 (BL, GR, W)



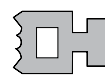
277_S

AVAILABLE FINISHES: **10BE, A, BSP, D, WSP**
 REPLACEMENT INSERT: **SR6 (BL)**
 ANSI (aluminum): **J35100, J36100**

Allow $\frac{5}{8}$ " door clearance



Alternate Inserts



sponge
 EPDM (R)

277_R

REPLACEMENT INSERT:
E7 (BL)
 ANSI (aluminum):
J36100



NOTE: Products shown in this section may not be drawn to scale.

AVAILABLE FINISHES FOR PRODUCTS SHOWN ON THIS PAGE (see General Information section for finish chart)
10BE (Satin Bronze Powder Coated Aluminum) **A** (Mill Finish Aluminum) **B** (Mill Finish Extruded Bronze [Brass])
BSP (Black Suede Powder Coated Aluminum) **D** (Dark Bronze Anodized) **WSP** (White Suede Powder Coated Aluminum)

800-824-3018 | www.assaabloydooraccessories.us

Check the web site for the up-to-date catalog

Copyright © 2015-2021, ASSA ABLOY Accessories and Door Controls Group, Inc., an ASSA ABLOY Group company. All rights reserved.
 Reproduction in whole or in part without the express written permission of ASSA ABLOY Accessories and Door Controls Group, Inc. is prohibited.

ASSA ABLOY
 Opening Solutions

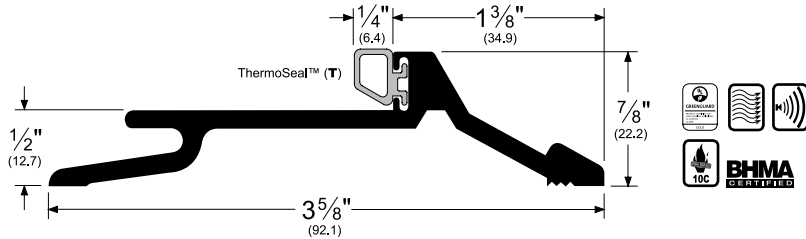
Experience a safer
 and more open world

Latching Panic Exit Saddles (Cont.)

159_T

AVAILABLE FINISHES: **10BE, A, B, BSP, D, WSP**
 REPLACEMENT INSERT: **T5 (BL)**
 ANSI (aluminum): **J35300, J36300**
 ANSI (brass): **J15300, J16300**

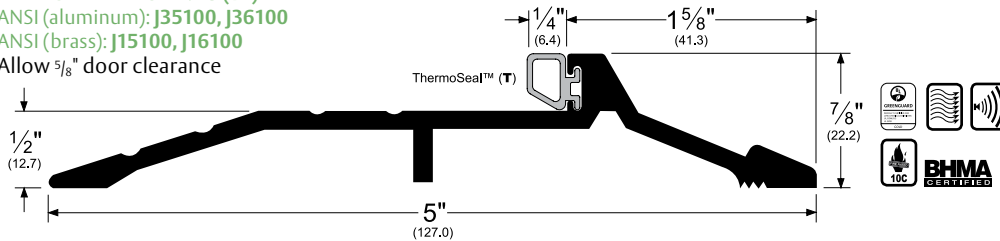
- Allow $\frac{9}{16}$ " door clearance
- Provided with "J" hook.
- Can also be used as an interlock threshold (see Residential Thresholds section)



177_T

AVAILABLE FINISHES: **10BE, A, B, BSP, D, WSP**
 REPLACEMENT INSERT: **T5 (BL)**
 ANSI (aluminum): **J35100, J36100**
 ANSI (brass): **J15100, J16100**

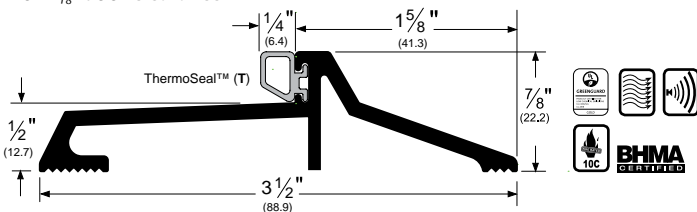
Allow $\frac{5}{8}$ " door clearance



1855_T

AVAILABLE FINISHES: **10BE, A, BSP, D, WSP**
 REPLACEMENT INSERT: **T5 (BL)**
 ANSI (aluminum): **J35100, J36100**

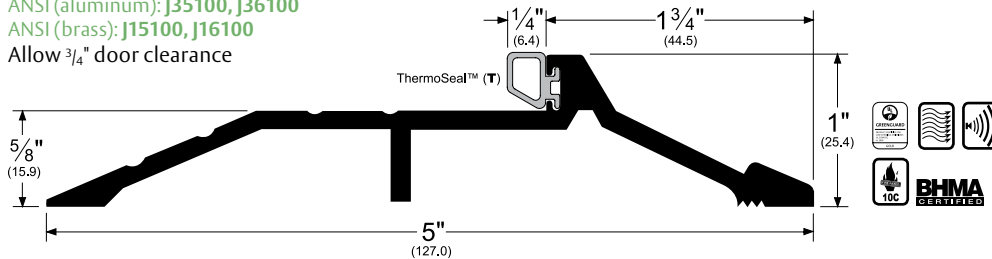
Allow $\frac{5}{8}$ " door clearance



181_T

AVAILABLE FINISHES: **10BE, A, B, BSP, D, G, WSP**
 REPLACEMENT INSERT: **T5 (BL)**
 ANSI (aluminum): **J35100, J36100**
 ANSI (brass): **J15100, J16100**

Allow $\frac{3}{4}$ " door clearance



NOTE: Products shown in this section may not be drawn to scale.

AVAILABLE FINISHES FOR PRODUCTS SHOWN ON THIS PAGE (see General Information section for finish chart)
10BE (Satin Bronze Powder Coated Aluminum) **A** (Mill Finish Aluminum) **B** (Mill Finish Extruded Bronze [Brass])
BDG (Bright Dip Gold Anodized) **BSP** (Black Suede Powder Coated Aluminum) **D** (Dark Bronze Anodized)
G (Gold Anodized) **WSP** (White Suede Powder Coated Aluminum)

NOTE: **G** is available with limited inventory

Alternate Inserts



pile (P)

- 159_P
 - 177_P
 - 1855_P
 - 181_P
- REPLACEMENT INSERT:
P2 (BL, W)



Eco-V™ (V)

- 159_V
 - 177_V
 - 1855_V
 - 181_V
- REPLACEMENT INSERT:
EV41 (BL, GR, W)

ASSA ABLOY
 Opening Solutions

Experience a safer
 and more open world

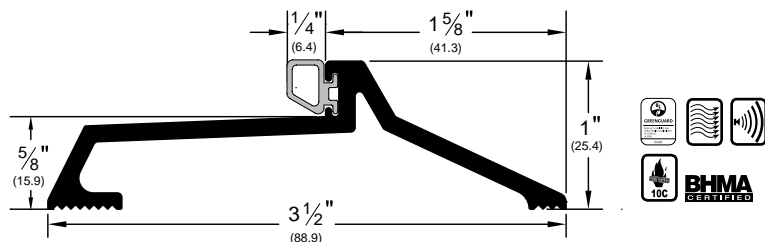
800-824-3018 | www.assaabloydooraccessories.us

Check the web site for the up-to-date catalog

Latching Panic Exit Saddles (Cont.)

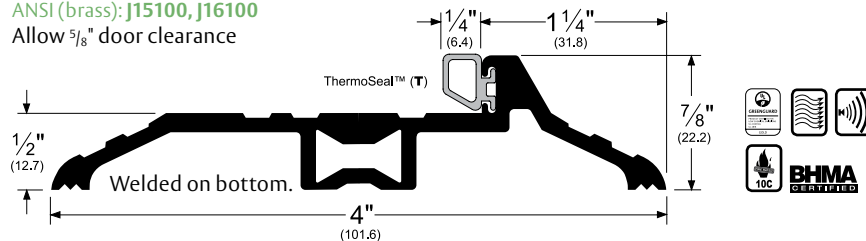
185_T

AVAILABLE FINISHES: **10BE, A, BSP, D, WSP**
 REPLACEMENT INSERT: **T5 (BL)**
 ANSI (aluminum): **J35300, J36300**
 Allow $\frac{3}{4}$ " door clearance



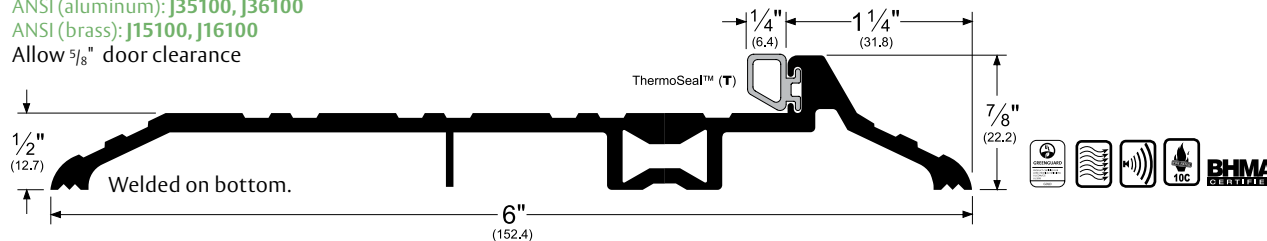
252x226_T

AVAILABLE FINISHES: **10BE, A, B, BSP, D, WSP**
 REPLACEMENT INSERT: **T5 (BL)**
 ANSI (aluminum): **J35100, J36100**
 ANSI (brass): **J15100, J16100**
 Allow $\frac{5}{8}$ " door clearance



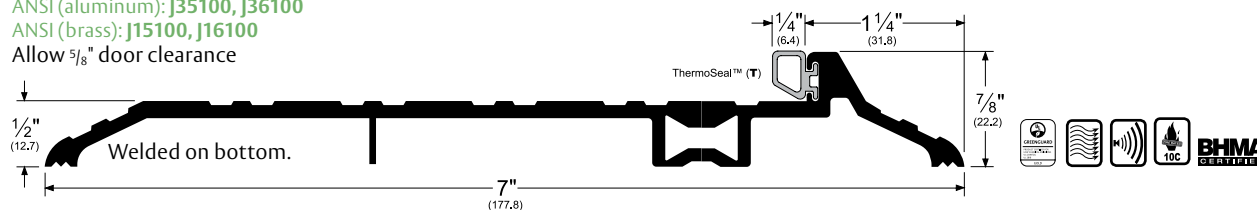
254x226_T

AVAILABLE FINISHES: **10BE, A, B, BSP, D, WSP**
 REPLACEMENT INSERT: **T5 (BL)**
 ANSI (aluminum): **J35100, J36100**
 ANSI (brass): **J15100, J16100**
 Allow $\frac{5}{8}$ " door clearance



255x226_T

AVAILABLE FINISHES: **10BE, A, B, BSP, D, WSP**
 REPLACEMENT INSERT: **T5 (BL)**
 ANSI (aluminum): **J35100, J36100**
 ANSI (brass): **J15100, J16100**
 Allow $\frac{5}{8}$ " door clearance



Alternate Inserts

pile (P)

185_P

252x226_P

254x226_P

255x226_P

REPLACEMENT INSERT:
P2 (BL, W)

Eco-V™ (V)

185_V

252x226_V

254x226_V

255x226_V

REPLACEMENT INSERT:
EV41 (BL, GR, W)

NOTE: Products shown in this section may not be drawn to scale.

AVAILABLE FINISHES FOR PRODUCTS SHOWN ON THIS PAGE (see General Information section for finish chart)
10BE (Satin Bronze Powder Coated Aluminum) **A** (Mill Finish Aluminum) **B** (Mill Finish Extruded Bronze [Brass])
BSP (Black Suede Powder Coated Aluminum) **D** (Dark Bronze Anodized) **WSP** (White Suede Powder Coated Aluminum)

800-824-3018 | www.assaabloydooraccessories.us
 Check the web site for the up-to-date catalog

Copyright © 2015-2021, ASSA ABLOY Accessories and Door Controls Group, Inc., an ASSA ABLOY Group company. All rights reserved.
 Reproduction in whole or in part without the express written permission of ASSA ABLOY Accessories and Door Controls Group, Inc. is prohibited.

ASSA ABLOY
 Opening Solutions

Experience a safer
 and more open world

Latching Panic Exit Saddles - Thermal Break

- Black rigid polypropylene key between extrusions provides thermal break (designated by "FG" Frost Guard following finish code)
- Used in conjunction with surface applied vertical rod exit device, or as a stop and a seal at the bottom of door
- These units are not welded

252x226_FGT

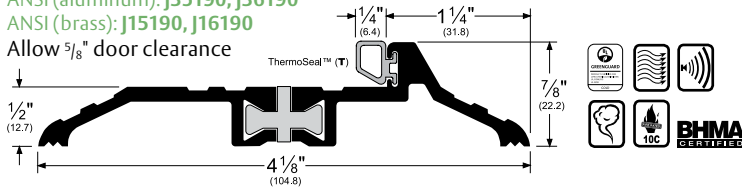
AVAILABLE FINISHES: 10BE, A, B, BSP, D, WSP

REPLACEMENT INSERT: T5 (BL)

ANSI (aluminum): J35190, J36190

ANSI (brass): J15190, J16190

Allow 5/8" door clearance



253x226_FGT

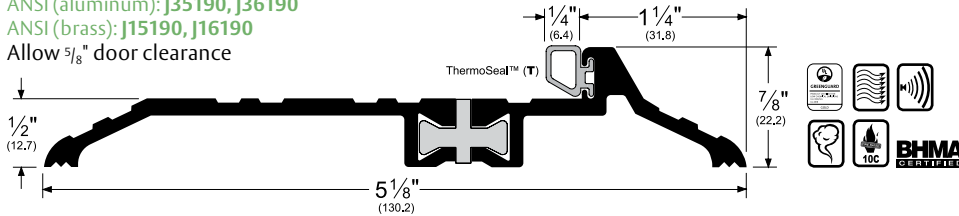
AVAILABLE FINISHES: 10BE, A, B, BSP, D, WSP

REPLACEMENT INSERT: T5 (BL)

ANSI (aluminum): J35190, J36190

ANSI (brass): J15190, J16190

Allow 5/8" door clearance



254x226_FGT

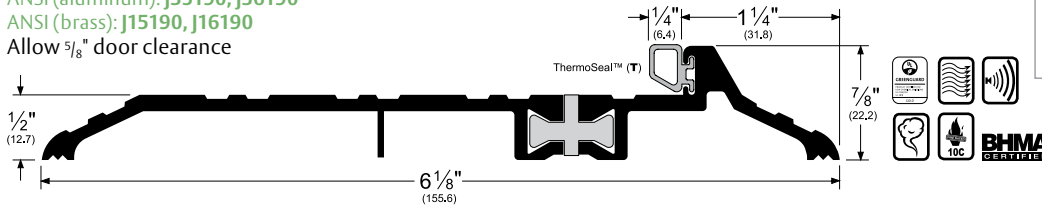
AVAILABLE FINISHES: 10BE, A, B, BSP, D, WSP

REPLACEMENT INSERT: T5 (BL)

ANSI (aluminum): J35190, J36190

ANSI (brass): J15190, J16190

Allow 5/8" door clearance



255x226_FGT

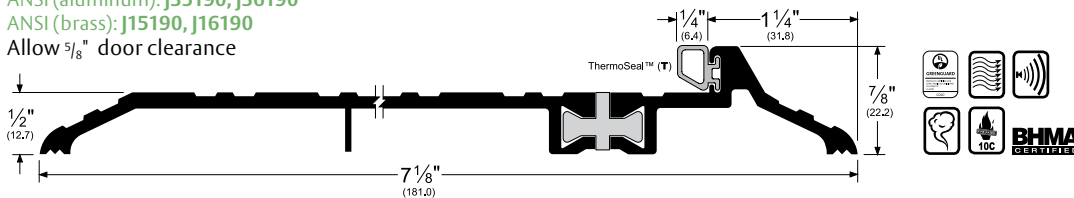
AVAILABLE FINISHES: 10BE, A, B, BSP, D, WSP

REPLACEMENT INSERT: T5 (BL)

ANSI (aluminum): J35190, J36190

ANSI (brass): J15190, J16190

Allow 5/8" door clearance



Alternate Inserts



pile (P)

- 252x226_FGP
- 253x226_FGP
- 254x226_FGP
- 255x226_FGP
- 273x224_FGP

REPLACEMENT INSERT:
P2 (BL, W)



Eco-V™ (V)

- 252x226_FGV
- 253x226_FGV
- 254x226_FGV
- 255x226_FGV
- 273x224_FGV

REPLACEMENT INSERT:
EV41 (BL, GR, W)

NOTE: Products shown in this section may not be drawn to scale.

AVAILABLE FINISHES FOR PRODUCTS SHOWN ON THIS PAGE (see General Information section for finish chart)

10BE (Satin Bronze Powder Coated Aluminum) A (Mill Finish Aluminum) B (Mill Finish Extruded Bronze [Brass])

BSP (Black Suede Powder Coated Aluminum) D (Dark Bronze Anodized) WSP (White Suede Powder Coated Aluminum)

ASSA ABLOY
Opening Solutions

Experience a safer
and more open world

800-824-3018 | www.assaabloydooraccessories.us

Check the web site for the up-to-date catalog

Copyright © 2015-2021, ASSA ABLOY Accessories and Door Controls Group, Inc., an ASSA ABLOY Group company. All rights reserved. Reproduction in whole or in part without the express written permission of ASSA ABLOY Accessories and Door Controls Group, Inc. is prohibited.

Latching Panic Exit Saddles - Thermal Break (Cont.)

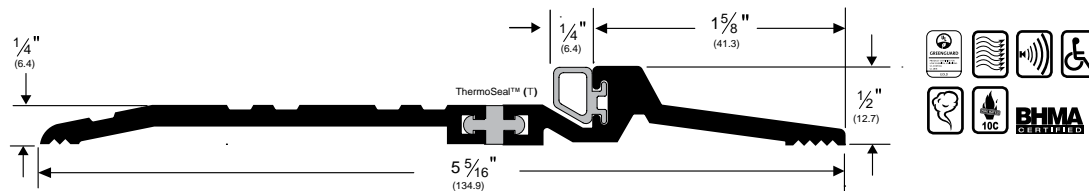
- Allow 3/8" door clearance

273x224_FGT

AVAILABLE FINISHES: 10BE, A, BSP, D, WSP

REPLACEMENT INSERT: T5 (BL)

ANSI (aluminum): J36130, J36139, J36190, J36193

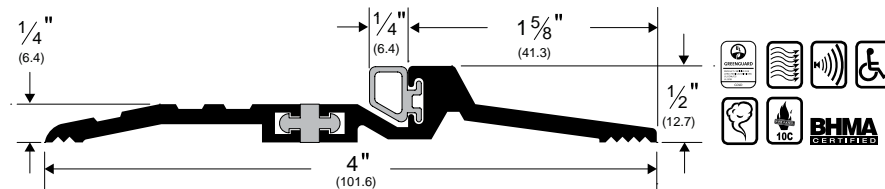


278x224_FGT

AVAILABLE FINISHES: 10BE, A, BSP, D, WSP

REPLACEMENT INSERT: T5 (BL)

ANSI (aluminum): J36130, J36139, J36190, J36193

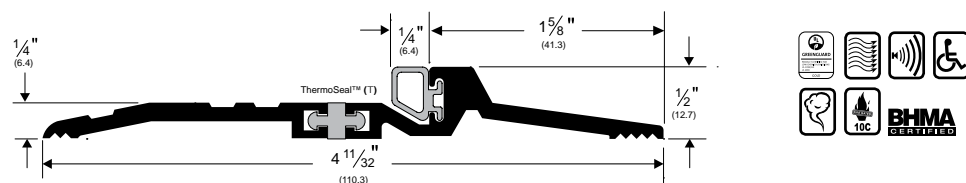


279x224_FGT

AVAILABLE FINISHES: 10BE, A, BSP, D, WSP

REPLACEMENT INSERT: T5 (BL)

ANSI (aluminum): J36130, J36139, J36190, J36193

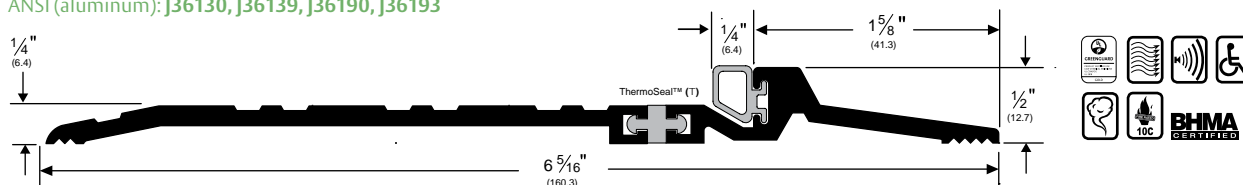


274x224_FGT

AVAILABLE FINISHES: 10BE, A, BSP, D, WSP

REPLACEMENT INSERT: T5 (BL)

ANSI (aluminum): J36130, J36139, J36190, J36193



Alternate Inserts

pile (P)

273x224_FGP

274x224_FGP

278x224_FGP

279x224_FGP

REPLACEMENT INSERT: P2 (BL, W)

Eco-V™ (V)

273x224_FGV

274x224_FGV

278x224_FGV

279x224_FGV

REPLACEMENT INSERT: EV41 (BL, GR, W)

NOTE: Products shown in this section may not be drawn to scale.

AVAILABLE FINISHES FOR PRODUCTS SHOWN ON THIS PAGE (see General Information section for finish chart)

10BE (Satin Bronze Powder Coated Aluminum) A (Mill Finish Aluminum) BSP (Black Suede Powder Coated Aluminum)

D (Dark Bronze Anodized) WSP (White Suede Powder Coated Aluminum)

800-824-3018 | www.assaabloydooraccessories.us

Check the web site for the up-to-date catalog

Copyright © 2015-2021, ASSA ABLOY Accessories and Door Controls Group, Inc., an ASSA ABLOY Group company. All rights reserved. Reproduction in whole or in part without the express written permission of ASSA ABLOY Accessories and Door Controls Group, Inc. is prohibited.

ASSA ABLOY
Opening Solutions

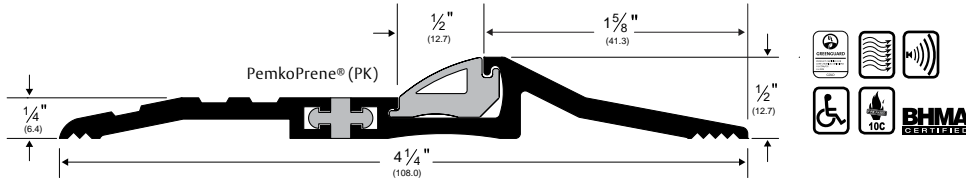
Experience a safer
and more open world

Latching Panic Exit Saddles - Thermal Break (Cont.)

- Allow 3/8" door clearance

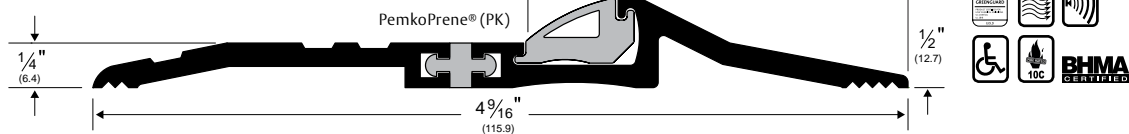
278x292_FGPK

AVAILABLE FINISHES: 10BE, A, BSP, D, WSP
 REPLACEMENT INSERT: PK20 (BL)
 ANSI (aluminum): J35190, J35193, J36190, J36193



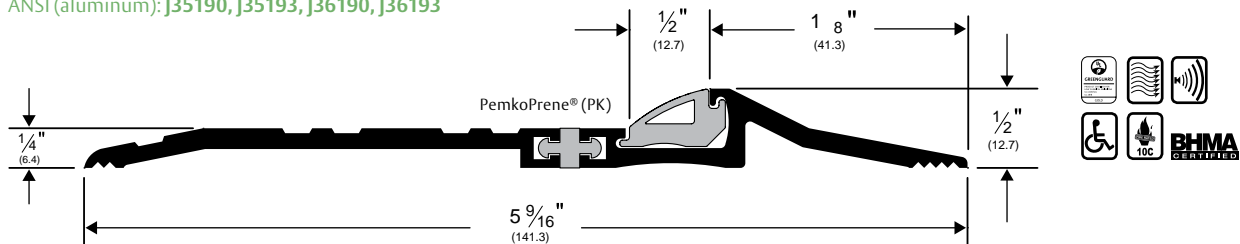
279x292_FGPK

AVAILABLE FINISHES: 10BE, A, BSP, D, WSP
 REPLACEMENT INSERT: PK20 (BL)
 ANSI (aluminum): J35190, J35193, J36190, J36193



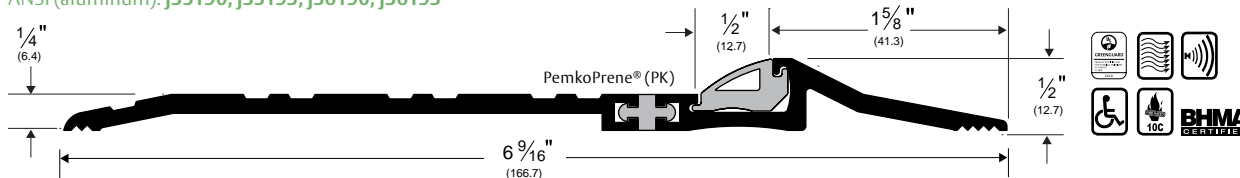
273x292_FGPK

AVAILABLE FINISHES: 10BE, A, BSP, D, WSP
 REPLACEMENT INSERT: PK20 (BL)
 ANSI (aluminum): J35190, J35193, J36190, J36193



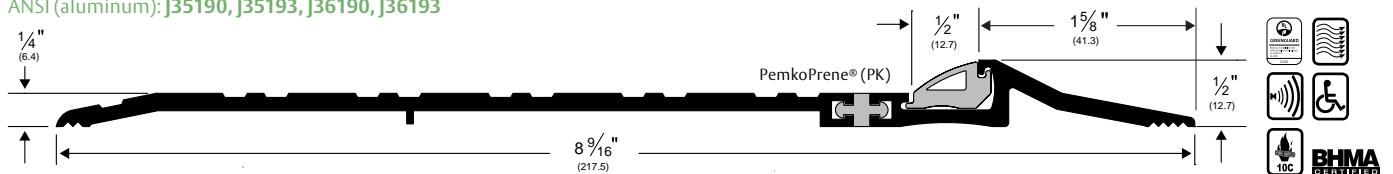
274x292_FGPK

AVAILABLE FINISHES: 10BE, A, BSP, D, WSP
 REPLACEMENT INSERT: PK20 (BL)
 ANSI (aluminum): J35190, J35193, J36190, J36193



2746x292_FGPK

AVAILABLE FINISHES: 10BE, A, BSP, D, WSP
 REPLACEMENT INSERT: PK20 (BL)
 ANSI (aluminum): J35190, J35193, J36190, J36193



NOTE: Products shown in this section may not be drawn to scale.

AVAILABLE FINISHES FOR PRODUCTS SHOWN ON THIS PAGE (see General Information section for finish chart)
10BE (Satin Bronze Powder Coated Aluminum) **A** (Mill Finish Aluminum) **BSP** (Black Suede Powder Coated Aluminum)
D (Dark Bronze Anodized) **WSP** (White Suede Powder Coated Aluminum)

ASSA ABLOY
 Opening Solutions

Experience a safer
 and more open world

800-824-3018 | www.assaabloydooraccessories.us
 Check the web site for the up-to-date catalog

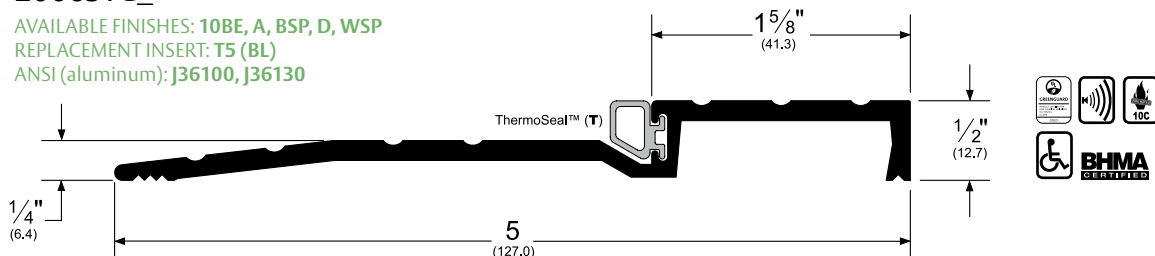
Copyright © 2015-2021, ASSA ABLOY Accessories and Door Controls Group, Inc., an ASSA ABLOY Group company. All rights reserved.
 Reproduction in whole or in part without the express written permission of ASSA ABLOY Accessories and Door Controls Group, Inc. is prohibited.

Acoustic Thresholds

- Pemko's line of Acoustic Thresholds are designed to aid with a door's STC rating
- **2006STC** and **2007STC** are only ADA compliant when installed butted to other flooring materials in accordance with ADA guidelines
- Thresholds will not improve a door's "sealed in-place" STC rating
- See the Acoustic Catalog Section or visit Pemko's website, www.assaabloydooraccessories.us, for more Acoustic products and additional information

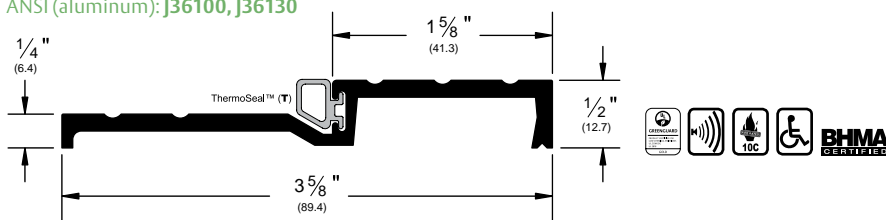
2006STC_

AVAILABLE FINISHES: **10BE, A, BSP, D, WSP**
 REPLACEMENT INSERT: **T5 (BL)**
 ANSI (aluminum): **J36100, J36130**



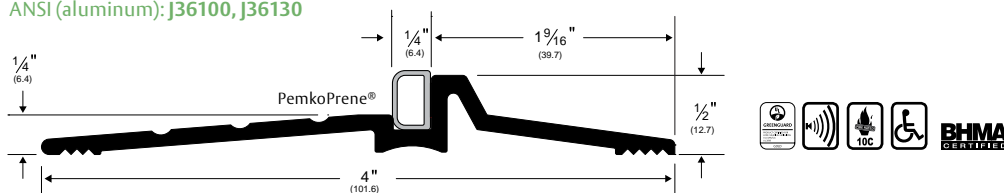
2007STC_

AVAILABLE FINISHES: **10BE, A, BSP, D, WSP**
 REPLACEMENT INSERT: **T5 (BL)**
 ANSI (aluminum): **J36100, J36130**



2008_PK

AVAILABLE FINISHES: **10BE, A, BSP, D, WSP**
 REPLACEMENT INSERT: **PK381 (BL)**
 ANSI (aluminum): **J36100, J36130**

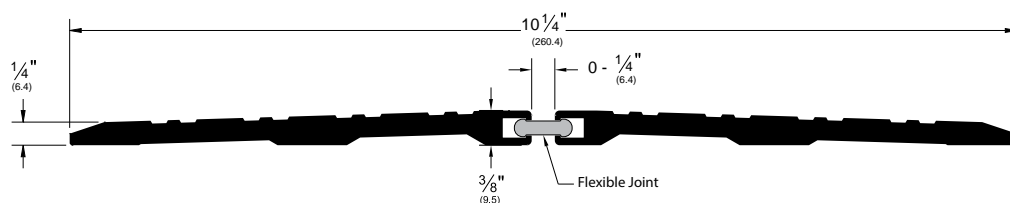


Threshold with Flexible Joint

- Flexible joint allows the threshold to flex as much as 20° up or down
- Expands up to an additional 1/4"

573x5_FG

AVAILABLE FINISHES: **A, D**
 REPLACEMENT INSERT: **PK45 (BL)**
 ANSI (aluminum): **J3219, J32190, J32193**



* When used in such a manner that the slope is not steeper than 1:2, and the overall height is 1/2" or less and all other criteria are met.

NOTE: Products shown in this section may not be drawn to scale.

AVAILABLE FINISHES FOR PRODUCTS SHOWN ON THIS PAGE (see General Information section for finish chart)
10BE (Satin Bronze Powder Coated Aluminum) **A** (Mill Finish Aluminum) **BSP** (Black Suede Powder Coated Aluminum)
D (Dark Bronze Anodized) **WSP** (White Suede Powder Coated Aluminum)

800-824-3018 | www.assaabloydooraccessories.us

Check the web site for the up-to-date catalog

Copyright © 2015-2021, ASSA ABLOY Accessories and Door Controls Group, Inc., an ASSA ABLOY Group company. All rights reserved.
 Reproduction in whole or in part without the express written permission of ASSA ABLOY Accessories and Door Controls Group, Inc. is prohibited.

ASSA ABLOY
 Opening Solutions

Experience a safer
 and more open world

Eco-V™ Thresholds

- Eco-V™ thresholds create an ideal transition where two different pieces of carpet meet, or carpet meets another surface under a door
- Ideal for use in any high-traffic commercial installation, such as hotels and offices
- Eco-V™ thresholds are manufactured from slightly softer material than competitive products. This aids in the cutting and fitting of the threshold and facilitates easier

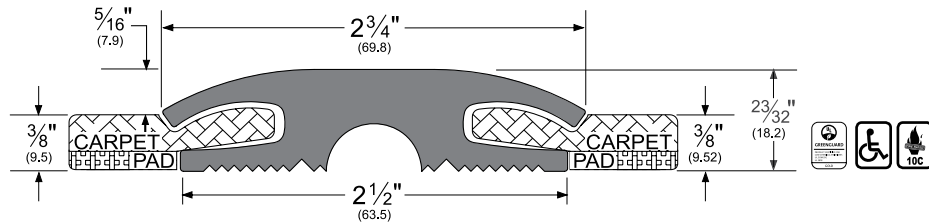
insertion of the carpet into the holding cavities on the carpet side(s) of the threshold

- Eco-V™ thresholds are designed to work in conjunction with Pemko's **2173_V**, **2113_V** and **2343_V** door shoes
- EV232**, **EV2325**, and **ADJ232V** thresholds meet the requirements outlined in **ADAAG-2010 (Amended)**; **ICC/ANSI A117.1** and **California Building Code**, Title 24 for Barrier-Free Entry - 1/2" max rise above finished floor

EV232_

AVAILABLE COLORS: **BL, D**
AVAILABLE LENGTHS: **36", 48", 73"**

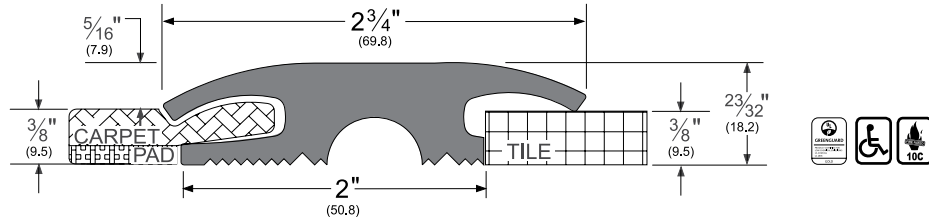
Serves as a transition where two pieces of carpet meet beneath an interior door



EV2325_

AVAILABLE COLORS: **BL, D**
AVAILABLE LENGTHS: **36", 48", 73"**

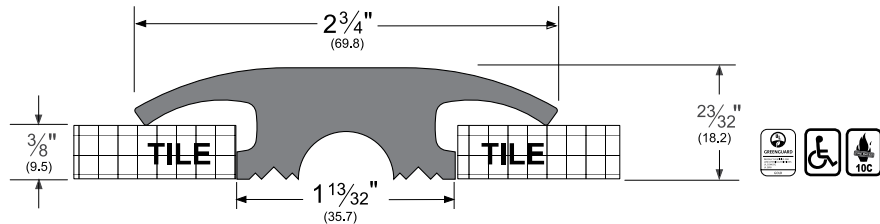
Serves as a transition where one piece of carpet meets tile beneath an interior door



EV2326_

AVAILABLE COLORS: **BL, D**
AVAILABLE LENGTHS: **36", 48", 73"**

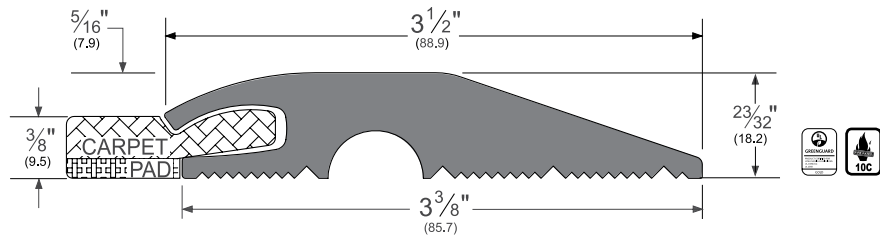
Serves as a transition where two pieces of tile meet beneath an interior door



EV2320_

AVAILABLE COLOR: **BL**
AVAILABLE LENGTHS: **36", 48", 73"**

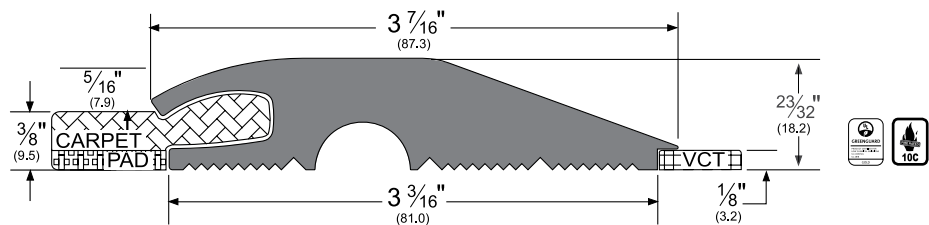
Serves as a transition where carpet meets concrete beneath an interior or exterior door



EV2322_

AVAILABLE COLOR: **BL**
AVAILABLE LENGTHS: **36", 48", 73"**

Serves as a transition where carpet meets 1/8 inch tile beneath an interior door



NOTE: Products shown in this section may not be drawn to scale.

AVAILABLE FINISHES FOR PRODUCTS SHOWN ON THIS PAGE (see General Information section for finish chart)

BL (Black) **D** (Dark Brown)

ASSA ABLOY
Opening Solutions

Experience a safer
and more open world

800-824-3018 | www.assaabloydooraccessories.us

Check the web site for the up-to-date catalog

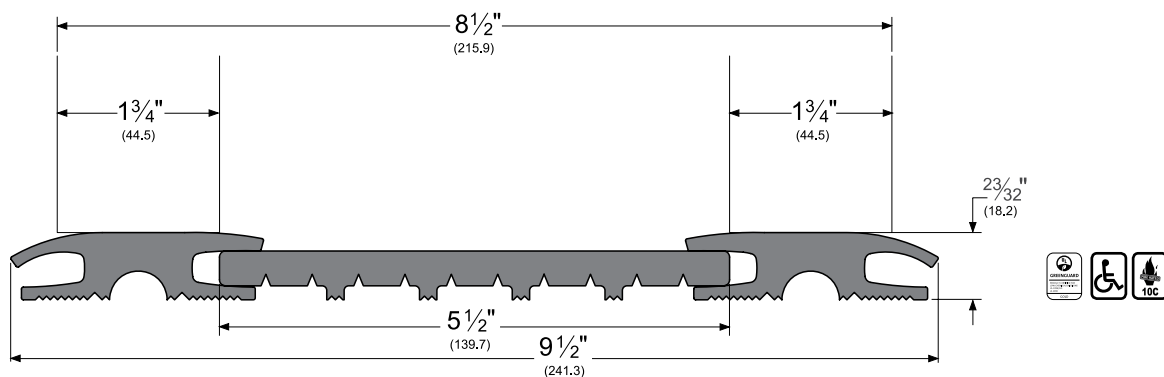
Copyright © 2015-2021, ASSA ABLOY Accessories and Door Controls Group, Inc., an ASSA ABLOY Group company. All rights reserved. Reproduction in whole or in part without the express written permission of ASSA ABLOY Accessories and Door Controls Group, Inc. is prohibited.

Adjustable-Width Eco-V™ Threshold

- The adjustable-width threshold is designed for installations where the widths of the transition beneath a door may need to change, without completely disassembling and reinstalling the threshold
- The adjustable-width threshold consists of two Eco-V™ end pieces and one Eco-V™ adjustable center section
- Center section (**EV2321** below) can easily be cut to size with a standard razor knife

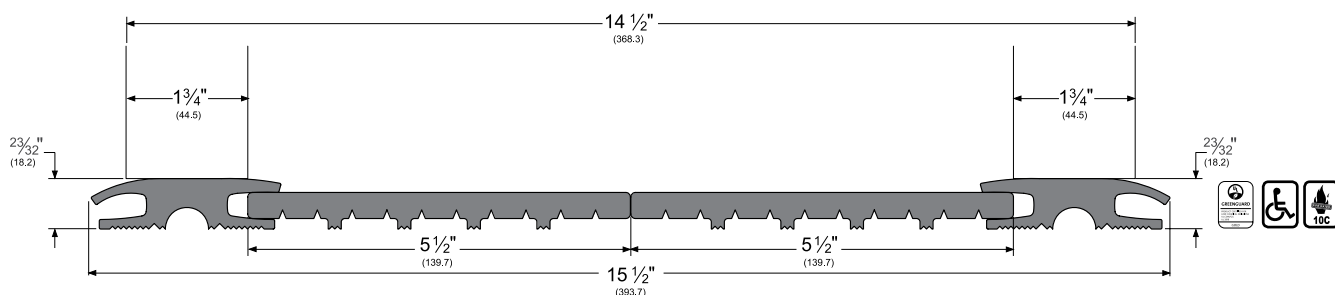
ADJ232V8_

AVAILABLE COLOR: **BL, D**
AVAILABLE LENGTHS: **36", 48"**



ADJ232V14_

AVAILABLE COLOR: **BL, D**
AVAILABLE LENGTHS: **36", 48"**

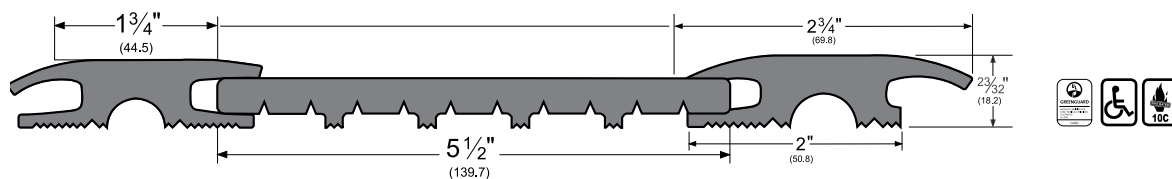


- Eco-V™ threshold ends can be used in many combinations to suit your flooring combination needs
- Shown below is **EV232** used with **EV2325** to illustrate use with carpet outside one communicating door and tile outside the other

ADJ232x2325V8_

AVAILABLE COLOR: **BL, D**
AVAILABLE LENGTHS: **36", 48", 73"**

Serves as a transition where carpet meets tile beneath an interior door



NOTE: Products shown in this section may not be drawn to scale.

AVAILABLE FINISHES FOR PRODUCTS SHOWN ON THIS PAGE (see General Information section for finish chart)
BL (Black) **D** (Dark Brown Anodized)

800-824-3018 | www.assaabloydooraccessories.us
Check the web site for the up-to-date catalog

Copyright © 2015-2021, ASSA ABLOY Accessories and Door Controls Group, Inc., an ASSA ABLOY Group company. All rights reserved.
Reproduction in whole or in part without the express written permission of ASSA ABLOY Accessories and Door Controls Group, Inc. is prohibited.

ASSA ABLOY
Opening Solutions

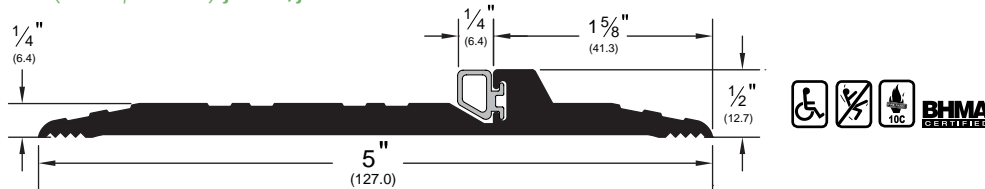
Experience a safer
and more open world

Heavy Duty Latching Panic Exit Saddle Threshold

- Ideal for heavy-duty, high-traffic and high weight-bearing applications, such as industrial facilities, schools, cafeterias, manufacturing buildings and hospitals
- Withstands coastal and high-humidity conditions
- Ultra-durable, extra thick extruded nickel-aluminum construction is guaranteed for ten (10) years

2705_T

AVAILABLE FINISHES: **10BE, A, AK, BSP, D, WSP**
 ANSI (aluminum): **J35100, J35130, J36100, J36130**
 ANSI (alum w/PemKote): **J36200, J36130**



All items on this page are available with PemKote™ non-slip coating (see General Information section). Please specify “PemKote™” when ordering. Please furnish drilling instructions when ordering PemKote™ as it is difficult to drill through this coating.

Heavy Duty Thresholds

- Ideal for heavy-duty, high-traffic and high weight-bearing applications, such as industrial facilities, schools, cafeterias, manufacturing buildings and hospitals
- Withstands coastal and high-humidity conditions
- Ultra-durable, extra thick extruded nickel-aluminum construction is guaranteed for ten (10) years

2715

AVAILABLE FINISHES: **10BE, A, AK, BSP, D, WSP**
 ANSI (aluminum): **J32100, J32130**
 ANSI (alum w/PemKote): **J32200, J32230**



All items on this page are available with PemKote™ non-slip coating (see General Information section). Please specify “PemKote™” when ordering. Please furnish drilling instructions when ordering PemKote™ as it is difficult to drill through this coating.

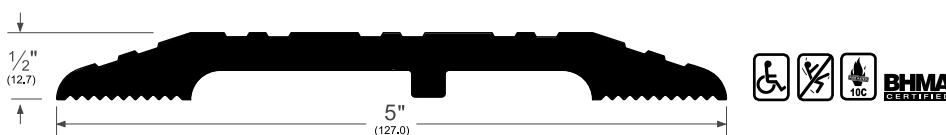
2716

AVAILABLE FINISHES: **10BE, A, AK, BSP, D, WSP**
 ANSI (aluminum): **J32100, J32130**
 ANSI (alum w/PemKote): **J32200, J32230**



1715_

AVAILABLE FINISHES: **10BE, A, AK, BSP, D, WSP**
 ANSI (aluminum): **J32100, J32130**
 ANSI (alum w/PemKote): **J32200, J32230**
 Allow 5/8" door clearance



NOTE: Products shown in this section may not be drawn to scale.

AVAILABLE FINISHES FOR PRODUCTS SHOWN ON THIS PAGE (see General Information section for finish chart)
10BE (Satin Bronze Powder Coated Aluminum) **A** (Mill Finish Aluminum)
AK (Mill Finish Aluminum w/PemKote™ Non-Slip Coating) **BSP** (Black Suede Powder Coated Aluminum)
D (Dark Bronze Anodized) **WSP** (White Suede Powder Coated Aluminum)

NOTE: D is available with limited inventory

ASSA ABLOY
 Opening Solutions

Experience a safer
 and more open world

800-824-3018 | www.assaabloydooraccessories.us

Check the web site for the up-to-date catalog

Copyright © 2015-2021, ASSA ABLOY Accessories and Door Controls Group, Inc., an ASSA ABLOY Group company. All rights reserved. Reproduction in whole or in part without the express written permission of ASSA ABLOY Accessories and Door Controls Group, Inc. is prohibited.

Heavy Duty Thresholds (Cont.)

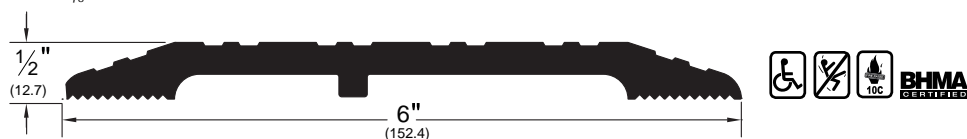
1716_

AVAILABLE FINISHES: 10BE, A, AK, BSP, D, WSP

ANSI (aluminum): J32100, J32130

ANSI (alum w/PemKote): J32200, J32230

Allow 5/8" door clearance



All items on this page are available with PemKote™ non-slip coating (see General Information section). Please specify "PemKote™" when ordering. Please furnish drilling instructions when ordering PemKote™ as it is difficult to drill through this coating.

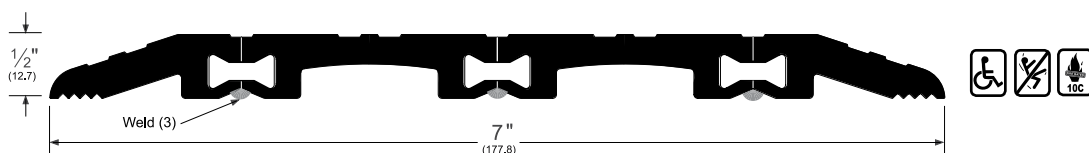
Modular Heavy Duty Thresholds

- Modular construction allows threshold to fit openings up to 15" wide without the expense of custom cast thresholds. There is no restriction on width additions (in 1" increments)
- Modular Thresholds can be thermally broken. Order by adding "FG" to the part number and designate at which joint the thermal key should be supplied. Note that each thermal key will add 1/8" to overall width of threshold.

1717_

AVAILABLE FINISHES: 10BE, A, AK, BSP, D, WSP

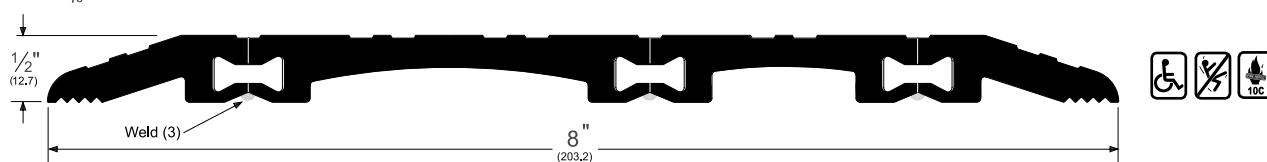
Allow 5/8" door clearance



1718_

AVAILABLE FINISHES: 10BE, A, AK, BSP, D, WSP

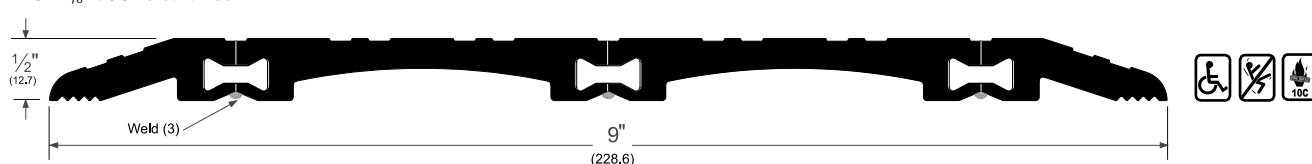
Allow 5/8" door clearance



1719_

AVAILABLE FINISHES: 10BE, A, AK, BSP, D, WSP

Allow 5/8" door clearance



NOTE: Products shown in this section may not be drawn to scale.

AVAILABLE FINISHES FOR PRODUCTS SHOWN ON THIS PAGE (see General Information section for finish chart)

10BE (Satin Bronze Powder Coated Aluminum) A (Mill Finish Aluminum)

AK (Mill Finish Aluminum w/PemKote™ Non-Slip Coating) BSP (Black Suede Powder Coated Aluminum)

D (Dark Bronze Anodized) WSP (White Suede Powder Coated Aluminum)

NOTE: D is available with limited inventory

800-824-3018 | www.assaabloydooraccessories.us

Check the web site for the up-to-date catalog

Copyright © 2015-2021, ASSA ABLOY Accessories and Door Controls Group, Inc., an ASSA ABLOY Group company. All rights reserved. Reproduction in whole or in part without the express written permission of ASSA ABLOY Accessories and Door Controls Group, Inc. is prohibited.

ASSA ABLOY
Opening Solutions

Experience a safer
and more open world

Floor Plates/Safety Treads

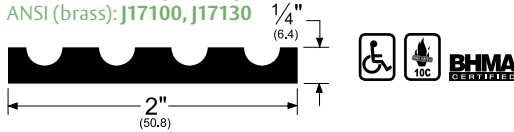
- Pemko can fabricate almost any floor plate threshold you might require
- Furnished undrilled unless drilling instructions are specified when ordering
- Ordering of fasteners does not constitute drilling instructions
- Elevated floor plates require support every 4" on center, at welded seams, and as necessary for support
- Orders with "x" in the product number (i.e. 195 x 193 x 195) indicate welding



Available with PemKote™ non-slip coating (see General Information section). Please specify "PemKote™" when ordering. Please furnish drilling instructions when ordering PemKote™ as it is difficult to drill through this coating.

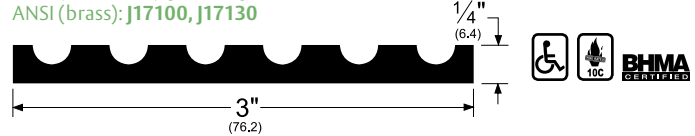
190_

AVAILABLE FINISHES: **10BE, A, BSP, D, WSP**
 ANSI (aluminum): **J37100, J37130**
 ANSI (brass): **J17100, J17130**



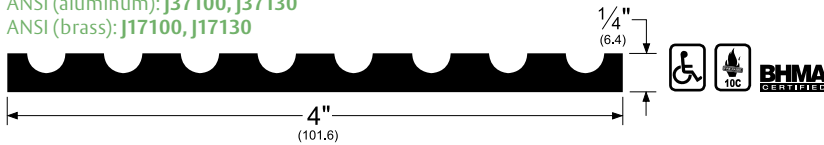
191_

AVAILABLE FINISHES: **10BE, A, BSP, D, WSP**
 ANSI (aluminum): **J37100, J37130**
 ANSI (brass): **J17100, J17130**



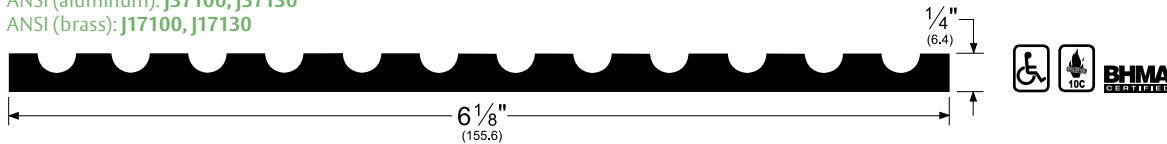
192_

AVAILABLE FINISHES: **10BE, A, BSP, D, WSP**
 ANSI (aluminum): **J37100, J37130**
 ANSI (brass): **J17100, J17130**



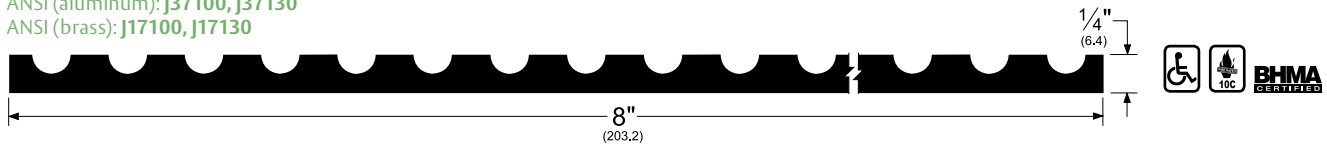
193_

AVAILABLE FINISHES: **10BE, A, BSP, D, WSP**
 ANSI (aluminum): **J37100, J37130**
 ANSI (brass): **J17100, J17130**



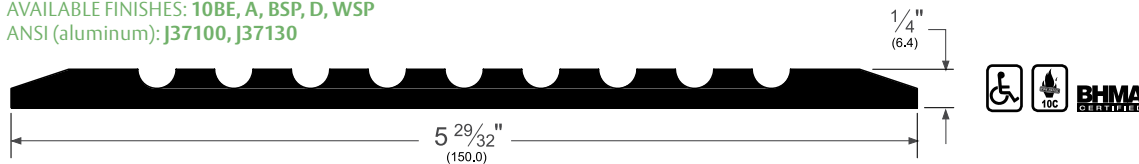
228_

AVAILABLE FINISHES: **10BE, A, BSP, D, WSP**
 ANSI (aluminum): **J37100, J37130**
 ANSI (brass): **J17100, J17130**



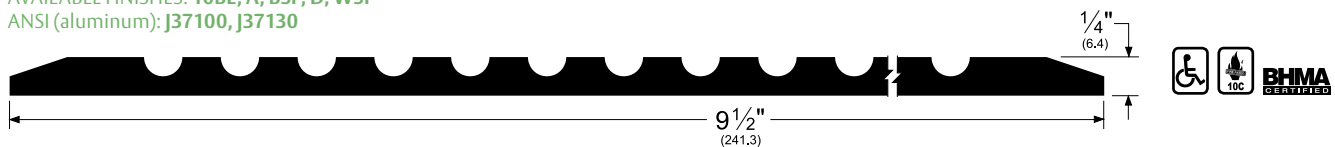
2266_

AVAILABLE FINISHES: **10BE, A, BSP, D, WSP**
 ANSI (aluminum): **J37100, J37130**



2286_

AVAILABLE FINISHES: **10BE, A, BSP, D, WSP**
 ANSI (aluminum): **J37100, J37130**



NOTE: Products shown in this section may not be drawn to scale.

AVAILABLE FINISHES FOR PRODUCTS SHOWN ON THIS PAGE (see General Information section for finish chart)

- 10BE** (Satin Bronze Powder Coated Aluminum) **A** (Mill Finish Aluminum)
- BSP** (Black Suede Powder Coated Aluminum) **D** (Dark Bronze Anodized)
- WSP** (White Suede Powder Coated Aluminum)

ASSA ABLOY
 Opening Solutions

800-824-3018 | www.assaabloydooraccessories.us

Check the web site for the up-to-date catalog

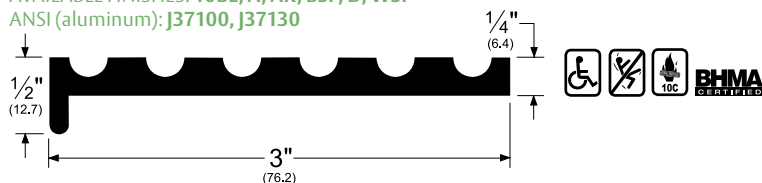
Experience a safer
 and more open world

Copyright © 2015-2021, ASSA ABLOY Accessories and Door Controls Group, Inc., an ASSA ABLOY company. All rights reserved. Reproduction in whole or in part without the express written permission of ASSA ABLOY Accessories and Door Controls Group, Inc. is prohibited.

Floor Plates/Safety Treads (Cont.)

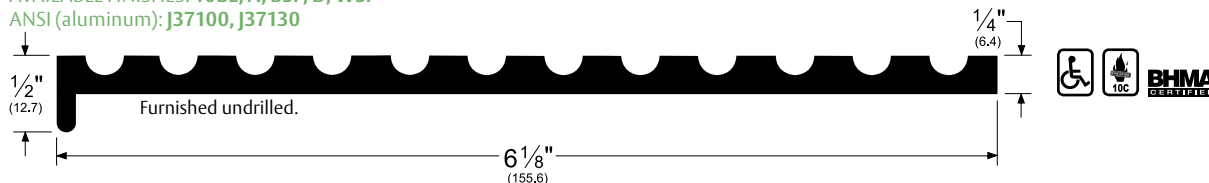
19125_

AVAILABLE FINISHES: **10BE, A, AK, BSP, D, WSP**
ANSI (aluminum): **J37100, J37130**



19325_

AVAILABLE FINISHES: **10BE, A, BSP, D, WSP**
ANSI (aluminum): **J37100, J37130**

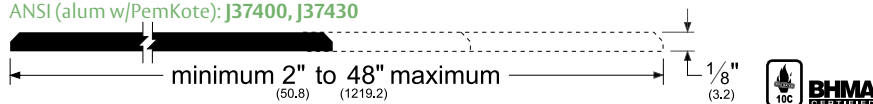


Aluminum Plates

- Used where a cover plate, expansion joint plate, or wide extra-strength metal plate is needed
- Maximum length is 144". All aluminum plates are provided NET length
- Both length edges are beveled at a 45° angle; "single edge bevel" or "no bevel" is also available at no extra cost; length of plate should be roughly equal to width of opening.
- Plates are supplied undrilled unless otherwise specified. Pemko reserves the right to charge for special fastener patterns
- Plates are furnished with #10 x 1 1/2" wood screws. Screws supplied: one (1) screw per foot up to 8" wide; two (2) screws per foot 8" to 12" wide; and three (3) screws per foot over 12" wide
- Plates are ADA compliant only when ordered with PemKote finish

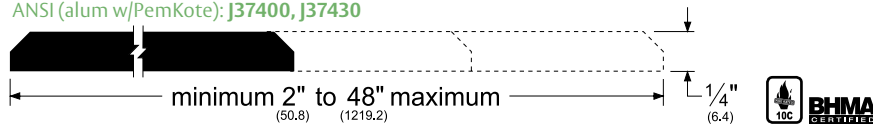
18/1_ - (width x length)

AVAILABLE FINISH: **10BE, A, AK, BSP, WSP**
ANSI (aluminum): **J37300, J37330**
ANSI (alum w/PemKote): **J37400, J37430**



14/1_ - (width x length)

AVAILABLE FINISH: **10BE, A, AK, BSP, WSP**
ANSI (aluminum): **J37300, J37330**
ANSI (alum w/PemKote): **J37400, J37430**



NOTE: Products shown in this section may not be drawn to scale.

AVAILABLE FINISHES FOR PRODUCTS SHOWN ON THIS PAGE (see General Information section for finish chart)

10BE (Satin Bronze Powder Coated Aluminum) **A** (Mill Finish Aluminum)

AK (Mill Finish Aluminum w/PemKote™ Non-Slip Coating) **BSP** (Black Suede Powder Coated Aluminum)

D (Dark Bronze Anodized) **WSP** (White Suede Powder Coated Aluminum)

800-824-3018 | www.assaabloydooraccessories.us

Check the web site for the up-to-date catalog

Copyright © 2015-2021, ASSA ABLOY Accessories and Door Controls Group, Inc., an ASSA ABLOY Group company. All rights reserved. Reproduction in whole or in part without the express written permission of ASSA ABLOY Accessories and Door Controls Group, Inc. is prohibited.

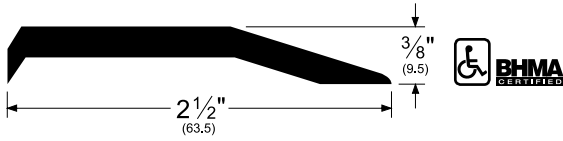
ASSA ABLOY
Opening Solutions

Experience a safer
and more open world

Carpet Separators

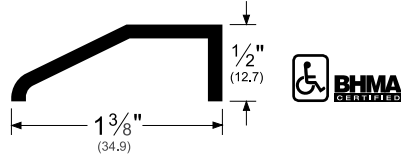
174_

AVAILABLE FINISHES: **10BE, BSP, C, D, WSP**
 ANSI (aluminum): **J32300, J32340**
 ANSI (brass): **J17300, J17330**



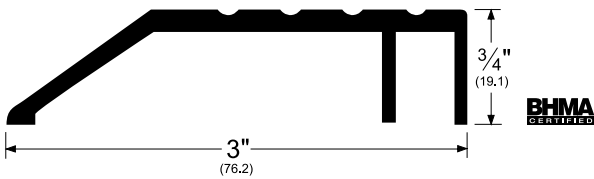
1951_

AVAILABLE FINISHES: **A, D**
 ANSI (aluminum): **J37300, J37330**
 • Supplied undrilled unless otherwise specified
 • ADA compliant when butted to 1/4" or 1/2" high flooring material



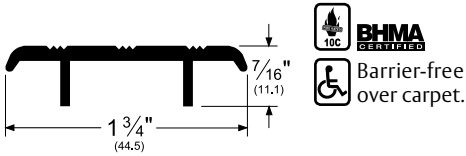
230_

AVAILABLE FINISHES: **10BE, A, BSP, D, WSP**



236_

AVAILABLE FINISHES: **10BE, A, BDG, BSP, D, WSP**
 ANSI (aluminum): **J32134**



2364_

AVAILABLE FINISHES: **10BE, A, BSP, D, WSP**
 ANSI (aluminum): **J32134, J32140**



2366_

AVAILABLE FINISHES: **10BE, A, BSP, D, WSP**
 ANSI (aluminum): **J32134**



NOTE: Products shown in this section may not be drawn to scale.

AVAILABLE FINISHES FOR PRODUCTS SHOWN ON THIS PAGE (see General Information section for finish chart)
10BE (Satin Bronze Powder Coated Aluminum) **A** (Mill Finish Aluminum)
BDG (Bright Dip Gold Anodized) **BSP** (Black Suede Powder Coated Aluminum) **C** (Clear Anodized)
D (Dark Bronze Anodized) **WSP** (White Suede Powder Coated Aluminum)

ASSA ABLOY
 Opening Solutions

Experience a safer
 and more open world

800-824-3018 | www.assaabloydooraccessories.us
 Check the web site for the up-to-date catalog

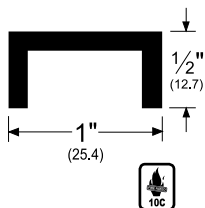
Copyright © 2015-2021, ASSA ABLOY Accessories and Door Controls Group, Inc., an ASSA ABLOY Group company. All rights reserved.
 Reproduction in whole or in part without the express written permission of ASSA ABLOY Accessories and Door Controls Group, Inc. is prohibited.

Floor Plate Supports/Accessories

- Please see information under Floor Plates and Safety Treads (page 134-135)

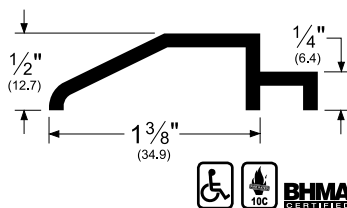
189_

AVAILABLE FINISHES:
10BE, A, BSP, D, G, WSP



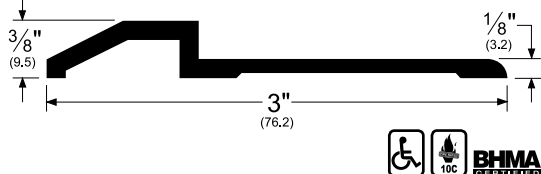
195_

AVAILABLE FINISHES: 10BE, A, BSP, D, G, WSP
ANSI (aluminum): J37300
ANSI (brass): J17300



200_

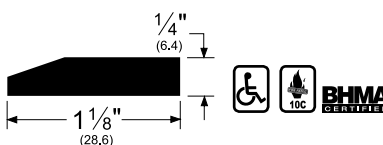
AVAILABLE FINISHES: 10BE, A, BSP, D, G, WSP
ANSI (aluminum): J37300, J37330
ANSI (brass): J17300, J17330



196_

AVAILABLE FINISHES: 10BE, A, B, BSP, D, WSP
ANSI (aluminum): J37300, J37330
ANSI (brass): J17300, J17330

When ordering, specify whether 196 material is to be used as trim or support



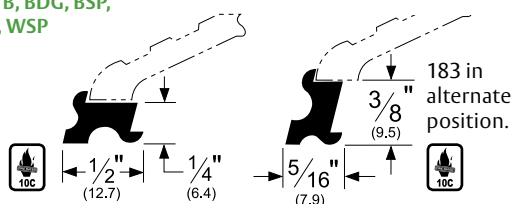
Elevators

- Elevators allow for custom sizing in offset conditions

- Fasteners are not included and are not required with these shapes when used in conjunction with a threshold

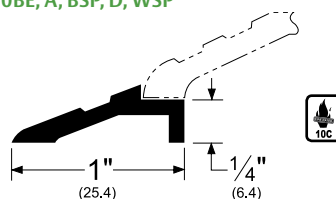
183_

AVAILABLE FINISHES:
10BE, A, B, BDG, BSP,
D, G, SN, WSP



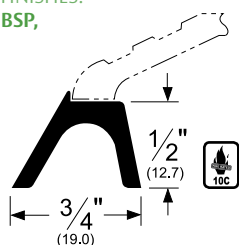
282_

AVAILABLE FINISHES:
10BE, A, BSP, D, WSP



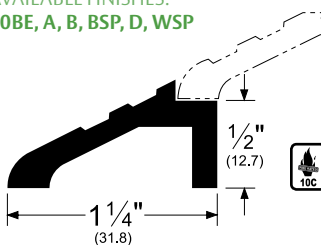
188_

AVAILABLE FINISHES:
10BE, A, B, BSP,
D, WSP



283_

AVAILABLE FINISHES:
10BE, A, B, BSP, D, WSP



NOTE: Products shown in this section may not be drawn to scale.

AVAILABLE FINISHES FOR PRODUCTS SHOWN ON THIS PAGE (see General Information section for finish chart)

10BE (Satin Bronze Powder Coated Aluminum) A (Mill Finish Aluminum) B (Mill Finish Extruded Bronze [Brass])
BDG (Bright Dip Gold Anodized) BSP (Black Suede Powder Coated Aluminum) C (Clear Anodized)
D (Dark Bronze Anodized) G (Gold Anodized) SN (Satin Nickel Anodized) WSP (White Suede Powder Coated Aluminum)

NOTE: G, SN are available with limited inventory

800-824-3018 | www.assaabloydooraccessories.us

Check the web site for the up-to-date catalog

Copyright © 2015-2021, ASSA ABLOY Accessories and Door Controls Group, Inc., an ASSA ABLOY Group company. All rights reserved.
Reproduction in whole or in part without the express written permission of ASSA ABLOY Accessories and Door Controls Group, Inc. is prohibited.

ASSA ABLOY
Opening Solutions

Experience a safer
and more open world

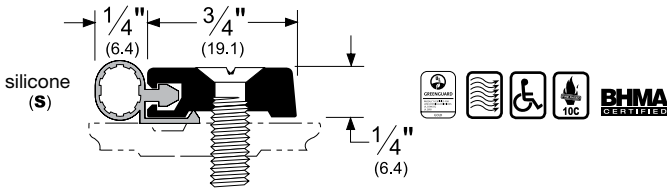
Threshold Stop Strips

- Use with standard flat top, saddle threshold to provide a door stop and seal at bottom of door
- Stop strips are supplied pre-drilled with #10-24 Phillips flat head machine screws of appropriate length
- These stops will affect the pivot hole location of an assembly

1842_S

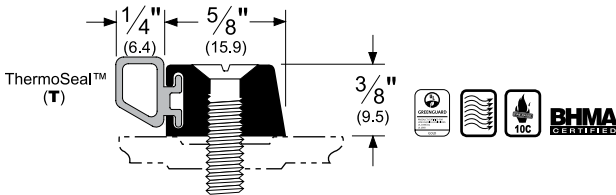
AVAILABLE FINISHES: **10BE, A, BSP, D, G, WSP**
 REPLACEMENT INSERT: **S3 (BL, W)**

- Allow 1/8" door clearance from top of threshold
- Barrier-free with 1/4" saddle only



184_T

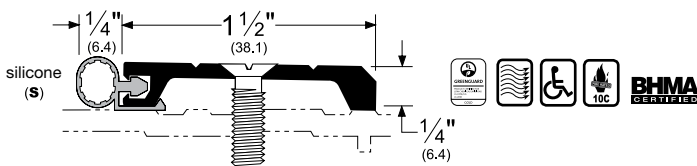
AVAILABLE FINISHES: **10BE, A, B, BSP, D, G, WSP**
 REPLACEMENT INSERT: **T5 (BL)**



290_SSTOP

AVAILABLE FINISHES: **10BE, A, BSP, D, G, WSP**
 REPLACEMENT INSERT: **S3 (BL, W)**

- Allow 1/8" door clearance from top of threshold
- Barrier-free with 1/4" saddle only



Alternate Inserts

1842_PK
290_PKSTOP

REPLACEMENT INSERT:
PK47 (BL, GR)



Alternate Inserts

1842_V
290_VSTOP

REPLACEMENT INSERT:
EV47 (BL, GR, W)



Alternate Inserts

184_P

REPLACEMENT INSERT:
P2 (BL, GR)



184_V

REPLACEMENT INSERT:
EV41 (BL, GR, W)



NOTE: Products shown in this section may not be drawn to scale.

AVAILABLE FINISHES FOR PRODUCTS SHOWN ON THIS PAGE (see General Information section for finish chart)
10BE (Satin Bronze Powder Coated Aluminum) **A** (Mill Finish Aluminum) **B** (Mill Finish Extruded Bronze [Brass])
BSP (Black Suede Powder Coated Aluminum) **D** (Dark Bronze Anodized) **G** (Gold Anodized)
WSP (White Suede Powder Coated Aluminum)

NOTE: **G** is available with limited inventory

ASSA ABLOY
 Opening Solutions

Experience a safer
 and more open world

800-824-3018 | www.assaabloydooraccessories.us

Check the web site for the up-to-date catalog

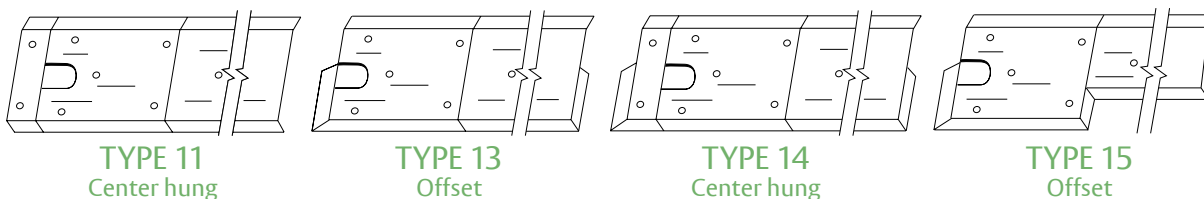
Copyright © 2015-2021, ASSA ABLOY Accessories and Door Controls Group, Inc., an ASSA ABLOY Group company. All rights reserved. Reproduction in whole or in part without the express written permission of ASSA ABLOY Accessories and Door Controls Group, Inc. is prohibited.

Floor Closer Thresholds/Cover Plate Assemblies

- **TYPE OF ASSEMBLY** – Type 11 or 14 for center hung, Type 13 or 15 for offset hung
- **MATERIALS** – Saddles, floor plates, supports, risers, elevators, and stop strips
- **CLOSER TO BE USED** – Manufacturer and model number
- **NET LENGTH** – Jamb-to-Jamb. Assembly Types 11, 13 and 14 are cut with center section 1/2" over net length up to 48" and 1" over net length over 48" to allow for fitting on the job. Please specify "net length", if required. Assembly Type 15 is cut at net length because of factory-cut miters
- **HANDING** – For single doors, specify right or left hand. For pairs of doors, handing is not required
- **SPECIAL FINISHES** – Examples include polished, oxidized and oil rubbed, and PemKote™
- **SPECIAL FASTENERS** – For center section only. Examples include: MSES, FHSL25, and MSES-SS
- **SPECIAL FABRICATION INSTRUCTIONS** – Notching, full miters, etc. Assembly Type 11 is supplied without mitered ends, and assembly Types 13, 14 and 15 are supplied with both ends mitered. Also, when ordering stop strips (shown on page 132), specify door thickness and pivot offset so that the threshold assembly width and pivot dimension can be determined
- **RETURNS AND ALLOWANCES** – Restock fee for "custom" material applies to these products



THRESHOLD WIDTH	FASTENER ROWS	THRESHOLD WIDTH	FASTENER ROWS
2" to 7 ⁷ / ₈ "	1 Row	19" to 24 ⁷ / ₈ "	4 Rows
8" to 12 ⁷ / ₈ "	2 Rows	25" to 30 ⁷ / ₈ "	5 Rows
13" to 18 ⁷ / ₈ "	3 Rows	31" to 36 ⁷ / ₈ "	6 Rows



THRESHOLDS FOR TYPE 11, 13, 14				
SIZE	PRODUCT NUMBER	FINISHES	PRODUCT NUMBER	FINISHES
1/2" x 7"	176_	A, B, D, G		
1/4" x 7"	276_	A, B, D, G		
1/2" x 8"	2548_	A, D, G	254_ x 4_	B
1/4" x 8"	2748_	A, D, G	274_ x 4_	B
1/2" x 8 ⁷ / ₈ "	193_ x 2/195_	A, D, G		
*3/4" x 12" x 1/4"	257_ x 259_	A, B, D, G		

Pemko	Rixson
Type 11	Type 1
Type 13	Type 3
Type 14	Type 4
Type 15	Type 5

* Ramp threshold for 1/2" offset.

THRESHOLDS FOR TYPE 15				
SIZE	PRODUCT NUMBER	FINISHES	PRODUCT NUMBER	FINISHES
1/2" x 7" x 4"	176_ x 170_	A, B, D, G		
1/4" x 7" x 4"	276_ x 270_	A, B, D, G		
1/2" x 7" x 5"	176_ x 171_	A, B, D, G		
1/4" x 7" x 5"	276_ x 271_	A, B, D, G		
1/2" x 8" x 4"	2548_ x 170_	A, D, G	254 x 4_ x 170_	B
1/4" x 8" x 4"	2748_ x 270_	A, D, G	274 x 4_ x 270_	B
1/2" x 8" x 5"	2548_ x 171_	A, D, G	254 x 4_ x 171_	B
1/4" x 8" x 5"	2748_ x 271	A, D, G	274 x 4_ x 271_	B

NOTE: Products shown in this section may not be drawn to scale.

AVAILABLE FINISHES FOR PRODUCTS SHOWN ON THIS PAGE (see General Information section for finish chart)
A (Mill Finish Aluminum) **B** (Mill Finish Extruded Bronze [Brass]) **D** (Dark Bronze Anodized) **G** (Gold Anodized)

NOTE: **G** is available with limited inventory

800-824-3018 | www.assaabloydooraccessories.us
 Check the web site for the up-to-date catalog

Copyright © 2015-2021, ASSA ABLOY Accessories and Door Controls Group, Inc., an ASSA ABLOY Group company. All rights reserved.
 Reproduction in whole or in part without the express written permission of ASSA ABLOY Accessories and Door Controls Group, Inc. is prohibited.

ASSA ABLOY
 Opening Solutions

Experience a safer
 and more open world

ANSI/BHMA A156.21 Thresholds - Cross Reference

- Following a profile number, “**A**” signifies the base metal as aluminum and will include any anodized finish
- Following a profile number, “**B**” signifies the base metal as architectural bronze [brass]
- Consult www.buildershardware.com for the most up-to-date BHMA Certified Product Directory (CPD) information

ANSI No.	Pemko Item#
J12100	170B, 171B, 172B, 176B, 198B, 254x4B, 254x5B, 255x5B, 270B, 271B, 272B, 274x4B, 276B
J12130	170B, 171B, 172B, 176B, 254x4B, 254x5B, 255x5B, 270B, 271B, 272B, 274x4B, 276B
J12134	236B, 2364B
J12139	252x2BFG, 252x3BFG, 253x3BFG, 253x4BFG, 254x4BFG, 254x5BFG, 255x5BFG, 273x3BFG, 273x4BFG, 274x4BFG
J12190	252x2BFG, 252x3BFG, 253x3BFG, 253x4BFG, 254x4BFG, 254x5BFG, 255x5BFG, 273x3BFG, 273x4BFG, 274x4BFG
J12193	252x2BFG, 252x3BFG, 253x3BFG, 253x4BFG, 254x4BFG, 254x5BFG, 273x3BFG, 273x4BFG, 274x4BFG
J12300	151B, 173B, 175B
J12330	151B, 173B, 175B
J13100	227B, 252B, 253B, 254B, 255B, 273B, 274B
J13130	227B, 252B, 253B, 254B, 255B, 273B, 274B
J13133	273B, 274B
J14170	101B, 108B, 114B
J15100	177B, 181B, 2005B, 252x226B, 253x226B, 254x226B, 255x226B
J15130	2005B
J15190	252x226BFG, 253x226BFG, 254x226BFG, 255x226BFG
J15300	159B
J16100	177BT, 181BT, 2005B, 2005BT, 252x226BT, 253x226BT, 254x226BT, 255x226BT
J16130	2005B
J16300	159BT
J17100	190B, 191B, 192B, 193B
J17130	190B, 191B, 192B, 193B
J17300	174B, 194B, 195B, 196B, 200B
J17330	174B, 195B, 196B, 200B
J18130	257B, 259B, 275x259B
J19100	176B, 193Bx2/195B, 254x4B, 257B/259B, 274x4B, 276B
J19130	176B, 193Bx2/195B, 254x4B, 257B/259B, 274x4B, 276B
J19135	176B, 176B, 176Bx170B, 176Bx171B, 193Bx2/195B, 193Bx2/195B, 254x4B, 254x4B, 254x4Bx170B, 254x4Bx171B, 257B/259B, 257B/259B, 274x4B, 274x4B, 274x4Bx270B, 274x4Bx271B, 276B, 276B, 276Bx270B, 276Bx271B
J19150	176B, 176B, 176Bx170B, 176Bx171B, 193Bx2/195B, 254x4B, 254x4Bx170B, 254x4Bx171B, 257B/259B, 274x4B, 274x4B, 274x4Bx270B, 274x4Bx271B, 276B, 276B, 276Bx270B, 276Bx271B
J31100	206AV, 207AV
J32100	156A, 1571A, 157A, 158A, 166A, 169A, 1700A, 170A, 1715A, 171A, 172A, 176A, 182A, 198A, 2548A, 2549A, 2550A, 2555x253A, 256x6A, 256x6A, 270A, 2715A, 2716A, 271A, 2727A, 272A, 2746x6A, 2748A, 2749A, 2750A, 276A

ASSA ABLOY
Opening Solutions

Experience a safer
and more open world

800-824-3018 | www.assaabloydooraccessories.us

Check the web site for the up-to-date catalog

Copyright © 2015-2021, ASSA ABLOY Accessories and Door Controls Group, Inc., an ASSA ABLOY Group company. All rights reserved. Reproduction in whole or in part without the express written permission of ASSA ABLOY Accessories and Door Controls Group, Inc. is prohibited.

ANSI/BHMA A156.21 Thresholds - Cross Reference (Continued)

ANSI No.	Pemko Item#
J32130	158A, 166A, 169A, 1700A, 170wA, 1715A, 1716A, 1716A, 171A, 172A, 176A, 2548A, 2549A, 2550A, 2555x253A, 256x6A, 256x6A, 270A, 2715A, 2716A, 271A, 2727A, 272A, 2746x6A, 2748A, 2749A, 2750A, 276A
J32134	236A, 2364A, 2366A
J32138	158A, 2727A
J32139	252x2AFG, 252x3AFG, 253x3AFG, 253x4AFG, 253x6AFG, 254x4AFG, 254x5AFG, 2555x253AFG, 255x5AFG, 256x6AFG, 273x3AFG, 273x4AFG, 2746x6AFG, 274x4AFG
J32140	236A
J32180	157A, 1571A, 158A, 182A, 2727A
J32190	252x2AFG, 252x3AFG, 253x3AFG, 253x4AFG, 253x6AFG, 254x4AFG, 254x5AFG, 2555x253AFG, 255x5AFG, 256x6AFG, 273x3AFG, 273x4AFG, 2746x6AFG, 274x4AFG
J32193	252x2AFG, 252x3AFG, 253x3AFG, 253x4AFG, 253x6AFG, 254x4AFG, 254x5AFG, 2555x253AFG, 255x5AFG, 256x6AFG, 273x3AFG, 273x4AFG, 2746x6AFG, 274x4AFG
J32200	1715AK, 2715AK, 2716AK
J32230	1715AK, 1716AK, 2715AK, 2716AK
J32300	151A, 1546A, 1547A, 154A, 173A, 174A, 175A
J32330	151A, 1546A, 1547A, 154A, 173A, 174A, 175A
J33100	157A, 1571A, 168A, 182A, 1875A, 1877A, 227A, 229A, 252A, 253A, 254A, 2555A, 255A, 2565A, 256A, 273A, 2746A, 274A, 278A, 279A
J33130	168A, 227A, 229A, 252A, 253A, 254A, 255A, 2565A, 256A, 273A, 2746A, 274A, 278A, 279A
J33133	273A, 2746A, 274A, 278A, 279A
J33180	1875A, 1877A
J34170	101A, 107A, 114A, 121A, 123A
J35100	177A, 179A, 181A, 2005A, 2006A, 2007A, 2008A, 252x226A, 253x226A, 254x226A, 255x226A, 2705A, 277A
J35130	2005A, 206A, 2007A, 2008A, 2705A
J35190	252x226AFG, 253x226AFG, 254x226AFG, 255x226AFG
J35300	159A, 185A, 1855A
J36100	177AT, 179AT, 181AT, 2005AT, 2006AT, 2006STC, 2007AT, 2007STC, 2008APK, 2009APK, 2010APK, 252x226A, 252x266A, 253x226A, 254x226AT, 255x226AT, 2705A, 277AR, 277AS
J36130	2005A, 2005AT, 2006AT, 2006STC, 2007AT, 2007STC, 2008APK, 2009APK, 2010APK, 2705A, 273x224AFG, 273x292AFG, 2746x292AFG, 274x224AFG, 274x292AFG, 278x224AFG, 278x292AFG, 279x224AFG, 279x292AFG
J36139	273x224AFG, 273x292AFG, 2746x292AFG, 274x224AFG, 274x292AFG, 278x224AFG, 278x292AFG, 279x224AFG, 279x292AFG
J36190	252x226AFGT, 253x226AFG, 253x226BFG, 254x226AFG, 255x226AFG, 273x224AFG, 273x292AFG, 2746x292AFG, 274x224AFG, 274x292AFG, 278x224AFG, 278x292AFG, 279x224AFG, 279x292AFG
J36193	273x224AFG, 273x292AFG, 2746x292AFG, 274x224AFG, 274x292AFG, 278x224AFG, 278x292AFG, 279x224AFG, 279x292AFG
J36200	2705AK
J36230	2705AK

ANSI/BHMA A156.21 Thresholds - Cross Reference (Continued)

ANSI No.	Pemko Item#
J36300	159AT, 185AT, 1855AT
J37100	190A, 191A, 192A, 193A, 228A, 2266A, 2286A, 19125A, 19325A
J37130	190A, 191A, 192A, 193A, 228A, 2266A, 2286A, 19125A, 19325A
J37200	190AK, 191AK, 192AK, 193AK, 19125AK
J37230	190AK, 191AK, 192AK, 193AK, 19125AK
J37300	14/1A, 18/1A, 194A, 1951A, 195A, 196A, 200A
J37330	14/1A, 174C, 18/1A, 1951A, 195A, 196A, 200A
J37400	14/1A, 18/1A
J37430	14/1A, 18/1A
J38130	257A, 259A, 257x259A, RAMP10A, RAMP11A, RAMP12A, RAMP1A, RAMP2A, RAMP3A, RAMP4A, RAMP5A, RAMP6A, RAMP7A, RAMP8A, RAMP9A, WING10, WING16, WINGExT
J38230	257AK, 259AK, 257x259AK, 257x259BK, RAMP10AK, RAMP11AK, RAMP12AK, RAMP1AK, RAMP2AK, RAMP3AK, RAMP4AK, RAMP5AK, RAMP6AK, RAMP7AK, RAMP8AK, RAMP9AK, WING10K, WING16K, WINGExTK
J39100	176A, 193Ax2/195A, 2548A, 257Ax259A, 2748A, 276A, RAMP1A
J39130	176A, 193Ax2/195A, 2548A, 257Ax259A, 2748A, 276A, RAMP1A
J39135	176A, 176Ax170A, 176Ax171A, 2548A, 2548Ax170A, 2548Ax171A, 257Ax259A, 2748A, 2748Ax270A, 2748Ax271A, 276A, 276Ax270A, 276Ax271A, RAMP1A
J39150	176A, 176Ax170A, 176Ax171A, 2548A, 2548Ax170A, 2548Ax171A, 257Ax259A, 2748A, 2748Ax270A, 2748Ax271A, 276A, 276Ax270A, 276Ax271A, RAMP1A
J52300	154SS, 158SS, 175SS, 2727SS
J52330	154SS, 175SS, 252x2SSFG, 252x3SSFG, 252x4SSFG, 253x3SSFG, 253x4SSFG, 254x4SSFG
J52338	158SS, 2727SS
J52339	252x2SSFG, 252x3SSFG, 252x4SSFG, 253x3SSFG, 253x4SSFG, 254x4SSFG
J52380	158SS, 2727SS
J52390	252x2SSFG, 252x3SSFG, 252x4SSFG, 253x3SSFG, 253x4SSFG, 254x4SSFG
J52393	252x2SSFG, 252x3SSFG, 252x4SSFG, 253x3SSFG, 253x4SSFG, 254x4SSFG
J53300	252SS, 253SS, 254SS
J53330	252SS, 253SS, 254SS
J53300	252SS, 253SS, 254SS
J53330	252SS, 253SS, 254SS

Pemko Modular Ramps

CONTENTS:

Ramp Ordering Information.....	138
Modular Ramp Threshold Assemblies - Flush Applications	139
Modular Ramp Threshold Assemblies - Offset (7" Top Plate).....	140
Modular Ramp Threshold Assemblies - Offset (3½" Top Plate).....	141
Modular Ramp Threshold Components	142
Modular Ramp Threshold Assemblies - Variables.....	143
Risers for Modular Ramps	143
Miter Returns For All Modular Ramp Thresholds.....	144
Barrier-Free Ramp Thresholds	145
Fire Retardant and Styrene Butadiene Rubber Ramp Thresholds	146
Rubber Ramp Miter Returns.....	147
Recycled Rubber Ramp Assembly.....	147

INDEX:

PRODUCT	PAGE	PRODUCT	PAGE	PRODUCT	PAGE
257	145	R1.25OSS.....	141	RAMP 4.....	142
257x259.....	145	R1.25OSSMR	141	RAMP 5.....	142
259.....	145	R1.5F.....	139	RAMP 6.....	142
R.5F	139	R1.5FMR.....	139	RAMP 7.....	143
R.5FMR.....	139	R1.5OS	140	RAMP 8.....	142, 143
R.5OS	140	R1.5OSMR.....	140	RAMP 9.....	142
R.5OSMR.....	140	R1.5OSS	141	RAMP10	142
R.5OSS	141	R1.5OSSMR.....	141	RAMP 11	142
R.5OSSMR.....	141	R1.75F.....	139	RAMP 12	142
R.75F.....	139	R1.75FMR.....	139	RAMP 13	143
R.75FMR.....	139	R1.75OS	140	RAMP 14	143
R.75OS.....	140	R1.75OSMR.....	140	RR1.25FMR.....	147
R.75OSMR.....	140	R1.75OSS.....	141	RR1	146
R.75OSS	141	R1.75OSSMR	141	RR2	146
R.75OSSMR.....	141	R2F	139	RR12_H	147
R1F	139	R2FMR.....	139	RVARIOSS	143
R1FMR.....	139	R2OS	140	RVAR1/A.....	143
R1OS	140	R2OSMR.....	140	RVAR1/AK	143
R1OSMR.....	140	R2OSS.....	141	SBR.5F	146
R1OSS.....	141	R2OSSMR.....	141	SBR.5FMR	146
R1OSSMR.....	141	R2.25F.....	139	SBR1F	146
R1.25F.....	139	R2.25FMR.....	139	SBR1FMR	146
R1.25FMR	139	RAMP 1	142	WING 10_H.....	144
R1.25OS	140	RAMP 2	143	WING 16_H.....	144
R1.25OSMR.....	140	RAMP 3	142	WING EXT_H.....	144

800-824-3018 | www.assaabloydooraccessories.us
Check the web site for the up-to-date catalog

Copyright © 2015-2021, ASSA ABLOY Accessories and Door Controls Group, Inc., an ASSA ABLOY Group company. All rights reserved.
Reproduction in whole or in part without the express written permission of ASSA ABLOY Accessories and Door Controls Group, Inc. is prohibited.

ASSA ABLOY
Opening Solutions

Experience a safer
and more open world

Ramp Ordering Information

Flush Applications

Example: R 1 F MR AK

Product	Floor Offset Height	Application	Option	Finish
R = Ramp	.5 = ½"	F = Flushes out to floor offset	MR = Miter Return (1 pair)	A = Aluminum (mill finish) AK = PemKote™ (skid-resistant surface)
	.75 = ¾"			
	1 = 1"			
	1.25 = 1-¼"			
	1.5 = 1-½"			
	1.75 = 1-¾"			
	2 = 2"			
	2.25 = 2-¼"			

Offset Applications - 7" Top Plate

Example: R 1 OS MR AK

Product	Floor Offset Height	Application	Option	Finish
R = Ramp	.5 = ½"	OS = Up & over offset w/ 7" top plate	MR = Miter Return (1 pair)	A = Aluminum (mill finish) AK = PemKote™ (skid-resistant surface)
	.75 = ¾"			
	1 = 1"			
	1.25 = 1-¼"			
	1.5 = 1-½"			
	1.75 = 1-¾"			
	2 = 2"			

Offset Applications - 3½" Top Plate

Example: R 2 OSS MR AK

Product	Floor Offset Height	Application	Option	Finish
R = Ramp	.5 = ½"	OSS = Up & over offset w/ 3-½" top plate	MR = Miter Return (1 pair)	A = Aluminum (mill finish) AK = PemKote™ (skid-resistant surface)
	.75 = ¾"			
	1 = 1"			
	1.25 = 1-¼"			
	1.5 = 1-½"			
	1.75 = 1-¾"			
	2 = 2"			

ASSA ABLOY
Opening Solutions

Experience a safer
and more open world

800-824-3018 | www.assaabloydooraccessories.us
Check the web site for the up-to-date catalog

Copyright © 2015-2021, ASSA ABLOY Accessories and Door Controls Group, Inc., an ASSA ABLOY Group company. All rights reserved. Reproduction in whole or in part without the express written permission of ASSA ABLOY Accessories and Door Controls Group, Inc. is prohibited.

Modular Ramp Threshold Assemblies

- Assemblies accommodate 1/2" to 2 1/4" floor offsets in meeting the 1:12 slope requirements of the "Americans with Disabilities Act". Even higher offsets can be accommodated by using the risers, **RAMP13_** and **RAMP14_**
- "MR" in a product number denotes that one-pair of miter returns (and extenders, if applicable) is included. Otherwise, we recommend filling and feathering the threshold ends with grout. Do not leave threshold ends open
- Miter Returns are available for offsets up to 2 1/4"

- Assemblies are supplied with #10 stainless steel wood screws. Stainless steel machine screws and expansion shields are available at an extra cost
- Assemblies allow for custom fabrication; please consult Pemko Customer Service
- Assemblies are provided NET length
- Miter returns will add 2 pieces to total components; miter returns with extenders will add 4 pieces to total components

Flush Applications

1/2" Floor Offset



R.5F_

R.5FMR_ **

AVAILABLE FINISHES: **10BE, A, AK, BSP, WSP**
 ASSEMBLY LENGTH: 6 1/8"
 # OF COMPONENTS: 1

PemKote™ is highly recommended for all threshold assemblies, especially exterior conditions where moisture may be present.

Only with PemKote™ Non-Slip Coating



3/4" Floor Offset



R.75F_

R.75FMR_ **

AVAILABLE FINISHES: **10BE, A, AK, BSP, WSP**
 ASSEMBLY LENGTH: 9 1/4"
 # OF COMPONENTS: 2



1" Floor Offset



R1F_

R1FMR_ **

AVAILABLE FINISHES: **10BE, A, AK, BSP, WSP**
 ASSEMBLY LENGTH: 12 3/8"
 # OF COMPONENTS: 2



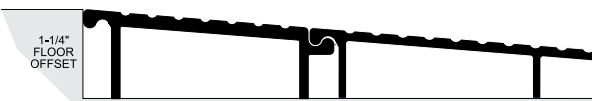
1 1/4" Floor Offset



R1.25F_

R1.25FMR_ **

AVAILABLE FINISHES: **10BE, A, AK, BSP, WSP**
 ASSEMBLY LENGTH: 15 1/2"
 # OF COMPONENTS: 3



1 1/2" Floor Offset



R1.5F_

R1.5FMR_ **

AVAILABLE FINISHES: **10BE, A, AK, BSP, WSP**
 ASSEMBLY LENGTH: 18 3/8"
 # OF COMPONENTS: 3



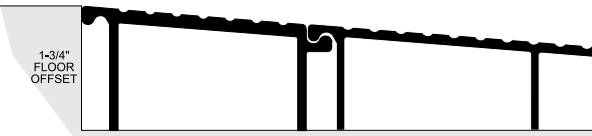
1 3/4" Floor Offset



R1.75F_

R1.75FMR_ **

AVAILABLE FINISHES: **10BE, A, AK, BSP, WSP**
 ASSEMBLY LENGTH: 21 3/4"
 # OF COMPONENTS: 4



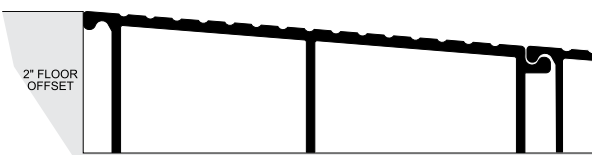
2" Floor Offset



R2F_

R2FMR_ **

AVAILABLE FINISHES: **10BE, A, AK, BSP, WSP**
 ASSEMBLY LENGTH: 24 7/8"
 # OF COMPONENTS: 4



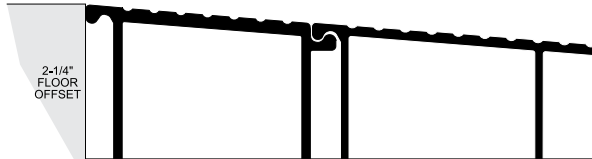
2 1/4" Floor Offset



R2.25F_

R2.25FMR_ **

AVAILABLE FINISHES: **10BE, A, AK, BSP, WSP**
 ASSEMBLY LENGTH: 28"
 # OF COMPONENTS: 5



Complete assembly drawings available online

NOTE: Greater offset may be accomplished by using Pemko risers.
 **Miter Returns are not ADA Compliant

AVAILABLE FINISHES FOR PRODUCTS SHOWN ON THIS PAGE (see General Information section for finish chart)

10BE (Satin Bronze Powder Coated Aluminum) **A** (Mill Finish Aluminum) **AK** (Mill Finish Aluminum with PemKote™ Non-Slip Coating) **BSP** (Black Suede Powder Coated Aluminum) **WSP** (White Suede Powder Coated Aluminum)

800-824-3018 | www.assaabloydooraccessories.us

Check the web site for the up-to-date catalog

Copyright © 2015-2021, ASSA ABLOY Accessories and Door Controls Group, Inc., an ASSA ABLOY Group company. All rights reserved. Reproduction in whole or in part without the express written permission of ASSA ABLOY Accessories and Door Controls Group, Inc. is prohibited.

ASSA ABLOY
 Opening Solutions

Experience a safer
 and more open world

Offset Applications (7" Top Plate)

1/2" Floor Offset

R.5OS_

R.5OSMR_**



AVAILABLE FINISHES: 10BE, A, AK, BSP, WSP
 ASSEMBLY LENGTH*: 16 1/4"
 # OF COMPONENTS: 3



3/4" Floor Offset

R.75OS_

R.75OSMR_**



AVAILABLE FINISHES: 10BE, A, AK, BSP, WSP
 ASSEMBLY LENGTH*: 19 3/8"
 # OF COMPONENTS: 3



1" Floor Offset

R1OS_

R1OSMR_**



AVAILABLE FINISHES: 10BE, A, AK, BSP, WSP
 ASSEMBLY LENGTH*: 22 1/2"
 # OF COMPONENTS: 4



1 1/4" Floor Offset

R1.25OS_

R1.25OSMR_**



AVAILABLE FINISHES: 10BE, A, AK, BSP, WSP
 ASSEMBLY LENGTH*: 25 5/8"
 # OF COMPONENTS: 4



1 1/2" Floor Offset

R1.5OS_

R1.5OSMR_**



AVAILABLE FINISHES: 10BE, A, AK, BSP, WSP
 ASSEMBLY LENGTH*: 28 3/4"
 # OF COMPONENTS: 5



1 3/4" Floor Offset

R1.75OS_

R1.75OSMR_**



AVAILABLE FINISHES: 10BE, A, AK, BSP, WSP
 ASSEMBLY LENGTH*: 31 7/8"
 # OF COMPONENTS: 5



2" Floor Offset

R2OS_

R2OSMR_**



AVAILABLE FINISHES: 10BE, A, AK, BSP, WSP
 ASSEMBLY LENGTH*: 35"
 # OF COMPONENTS: 6



Complete assembly drawings available online.

NOTE: Greater offset may be accomplished by using Pemko risers.

*Assembly length includes 7" top plate

**Miter Returns are not ADA Compliant



Assembly Shown: R.5OS

ASSA ABLOY
 Opening Solutions

Experience a safer
 and more open world

AVAILABLE FINISHES FOR PRODUCTS SHOWN ON THIS PAGE (see General Information section for finish chart)
 10BE (Satin Bronze Powder Coated Aluminum) A (Mill Finish Aluminum) AK (Mill Finish Aluminum with PemKote™
 Non-Slip Coating) BSP (Black Suede Powder Coated Aluminum) WSP (White Suede Powder Coated Aluminum)

800-824-3018 | www.assaabloydooraccessories.us

Check the web site for the up-to-date catalog

Copyright © 2015-2021, ASSA ABLOY Accessories and Door Controls Group, Inc., an ASSA ABLOY Group company. All rights reserved.
 Reproduction in whole or in part without the express written permission of ASSA ABLOY Accessories and Door Controls Group, Inc. is prohibited.

Short Offset Applications (3 1/2" Top Plate)

1/2" Floor Offset

R.5OSS_
R.5OSSMR_**



AVAILABLE FINISHES: 10BE, A, AK, BSP, WSP
ASSEMBLY LENGTH*: 12 3/4"
OF COMPONENTS: 3



3/4" Floor Offset

R.75OSS_
R.75OSSMR_**



AVAILABLE FINISHES: 10BE, A, AK, BSP, WSP
ASSEMBLY LENGTH*: 15 7/8"
OF COMPONENTS: 3



1" Floor Offset

R1OSS_
R1OSSMR_**



AVAILABLE FINISHES: 10BE, A, AK, BSP, WSP
ASSEMBLY LENGTH*: 19"
OF COMPONENTS: 4

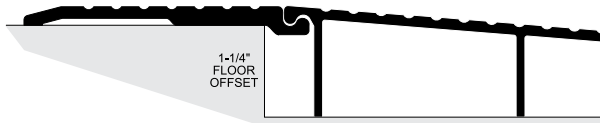


1 1/4" Floor Offset

R1.25OSS_
R1.25OSSMR_**



AVAILABLE FINISHES: 10BE, A, AK, BSP, WSP
ASSEMBLY LENGTH*: 22 1/8"
OF COMPONENTS: 4

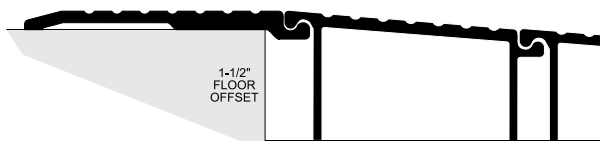


1 1/2" Floor Offset

R1.5OSS_
R1.5OSSMR_**



AVAILABLE FINISHES: 10BE, A, AK, BSP, WSP
ASSEMBLY LENGTH*: 25 1/4"
OF COMPONENTS: 5

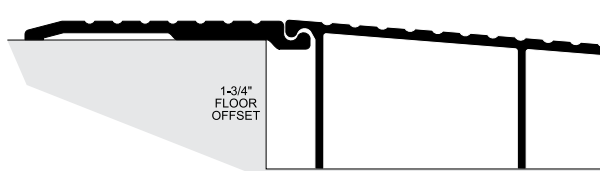


1 3/4" Floor Offset

R1.75OSS_
R1.75OSSMR_**



AVAILABLE FINISHES: 10BE, A, AK, BSP, WSP
ASSEMBLY LENGTH*: 28 3/8"
OF COMPONENTS: 5

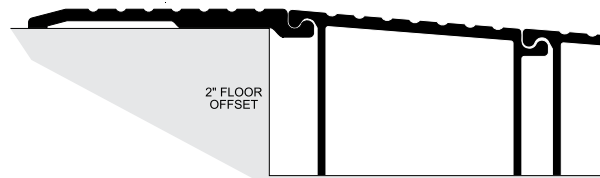


2" Floor Offset

R2OSS_
R2OSSMR_**



AVAILABLE FINISHES: 10BE, A, AK, BSP, WSP
ASSEMBLY LENGTH*: 31 1/2"
OF COMPONENTS: 6



Complete assembly drawings available online.

NOTE: Greater offset may be accomplished by using Pemko risers.

*Assembly length includes 3 1/2" top plate

**Miter Returns are not ADA Compliant



Assembly Shown: R.75OSS

AVAILABLE FINISHES FOR PRODUCTS SHOWN ON THIS PAGE (see General Information section for finish chart)
10BE (Satin Bronze Powder Coated Aluminum) A (Mill Finish Aluminum)
AK (Mill Finish Aluminum with PemKote™ Non-Slip Coating) BSP (Black Suede Powder Coated Aluminum)
WSP (White Suede Powder Coated Aluminum)

800-824-3018 | www.assaabloydooraccessories.us




Check the web site for the up-to-date catalog

Copyright © 2015-2021, ASSA ABLOY Accessories and Door Controls Group, Inc., an ASSA ABLOY Group company. All rights reserved.
Reproduction in whole or in part without the express written permission of ASSA ABLOY Accessories and Door Controls Group, Inc. is prohibited.

ASSA ABLOY
Opening Solutions

Experience a safer
and more open world

Modular Ramp Threshold Components

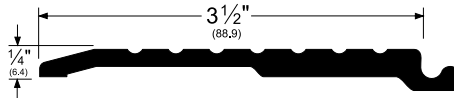
- Components are generally sold as part of assemblies
- Ramp Assemblies consist of interlocking components, eliminating the need to weld joints. Interlocking ball-joint design allows each component to flex and conform to uneven surfaces
- All assemblies carry the following labels:   

- PemKote™ is highly recommended for all threshold assemblies, especially exterior conditions where moisture may be present
- NOTE: The following pages are for component identification only. Do not order from these pages. Order only complete assemblies from pages 140 to 142

Top Plates

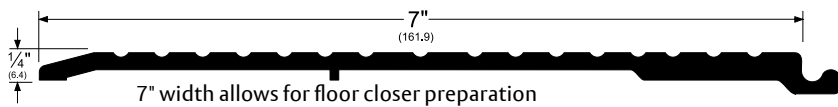
RAMP8_

Short top plate
AVAILABLE FINISHES: 10BE, A, AK, BSP, WSP

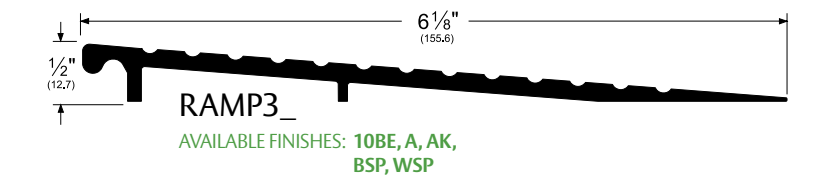
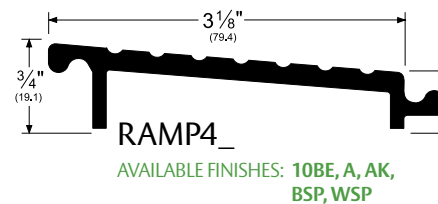
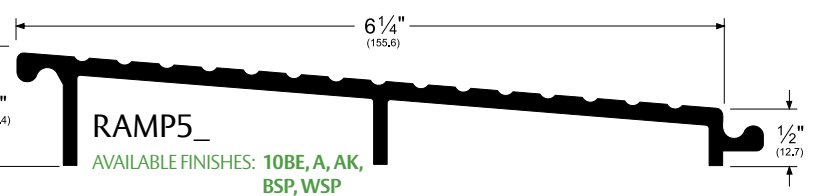
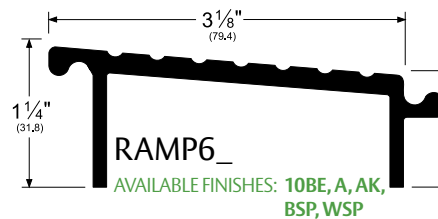
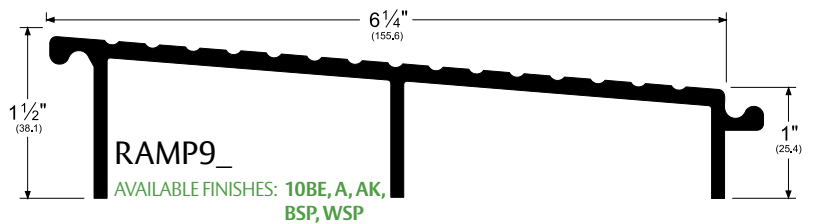
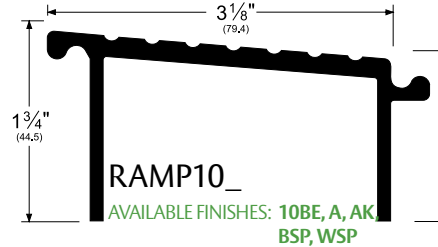
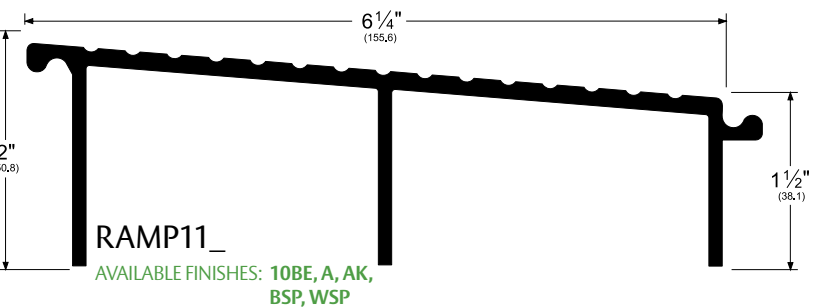
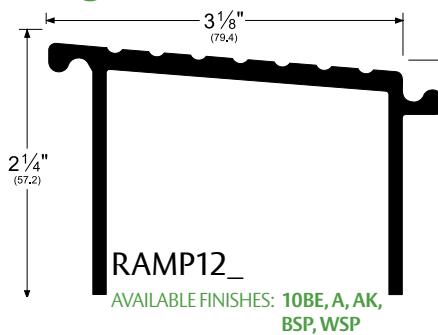


RAMP1_

Top plate
AVAILABLE FINISHES: 10BE, A, AK, BSP, WSP



Bridges



NOTE: Products shown in this section are not drawn to scale.

AVAILABLE FINISHES FOR PRODUCTS SHOWN ON THIS PAGE (see General Information section for finish chart)
 10BE (Satin Bronze Powder Coated Aluminum) A (Mill Finish Aluminum) AK (Mill Finish Aluminum with PemKote™ Non-Slip Coating) BSP (Black Suede Powder Coated Aluminum) WSP (White Suede Powder Coated Aluminum)



800-824-3018 | www.assaabloydooraccessories.us

Check the web site for the up-to-date catalog

ASSA ABLOY
Opening Solutions

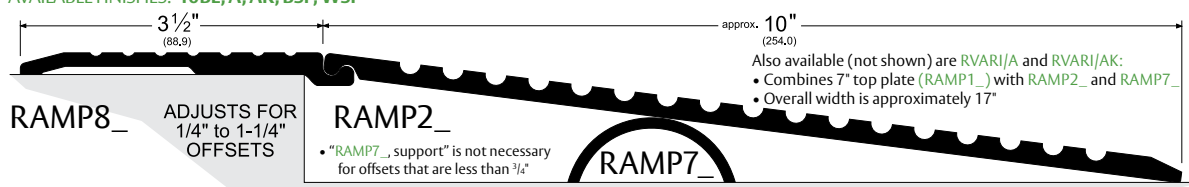
Experience a safer
and more open world

Modular Ramp Threshold Assemblies - Variables

- Use a “Variable” component to accommodate offsets from 1/2” to 1 1/4”. These meet the 1:8 maximum slope allowance (ADA) for existing buildings. For new construction, this assembly is only ADA compliant in certain applications as outlined by the current ADA standard
- May require a variance from some state building codes, even though ADA compliant
- Ideal for use in cross traffic corridors where a minimal ramp projection may be required and a steeper slope may be allowed. Supplied with #10 stainless steel sheet metal screws. Stainless steel machine screws and expansion shields are available at an extra cost
- Miter returns are not available due to the variable angle of this ramp. Please fill and feather the threshold ends. Do not leave threshold ends open
- This variable ramp is supplied un-drilled from Pemko. Due to the variance in the angle, it must be drilled in the field. For proper installation, it requires the **RAMP7_** to be placed under **RAMP2_** after the assembly is in place, then must be match drilled and anchored through both components
- PemKote™ is highly recommended for all ramp threshold assemblies especially exterior conditions where moisture may be present
- In addition to ADA compliance, outlined previously, all assemblies carry the following labels:  

RVARIOSS_

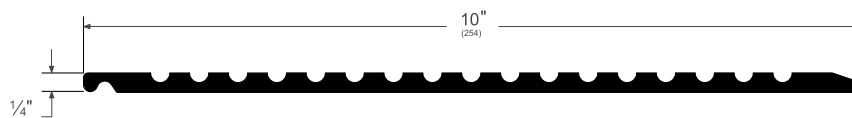
AVAILABLE FINISHES: 10BE, A, AK, BSP, WSP



Variable Ramp Components

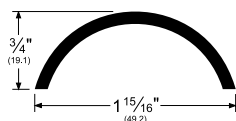
RAMP2_

variable
AVAILABLE FINISHES: 10BE, A, AK, BSP, WSP



RAMP7_

support for variable
AVAILABLE FINISHES: A

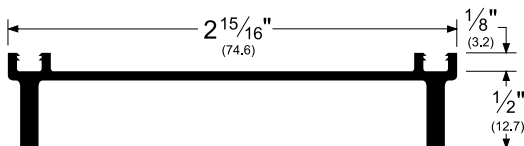


Risers for Modular Ramps

- Risers easily attach to the legs of Pemko’s Modular Ramp Systems. Each adds 1/2” in height to accommodate offsets greater than 2 1/4”
- Contact Pemko Customer Service for information on stacking risers to reach desired height

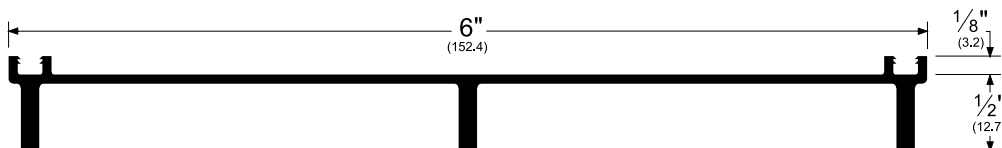
RAMP13_

AVAILABLE FINISHES: A



RAMP14_

AVAILABLE FINISHES: A



NOTE: Products shown in this section are not drawn to scale.

AVAILABLE FINISHES FOR PRODUCTS SHOWN ON THIS PAGE (see General Information section for finish chart)
10BE (Satin Bronze Powder Coated Aluminum) **A** (Mill Finish Aluminum) **AK** (Mill Finish Aluminum with PemKote™ Non-Slip Coating) **BSP** (Black Suede Powder Coated Aluminum) **WSP** (White Suede Powder Coated Aluminum)
 800-824-3018 | www.assaabloydooraccessories.us
 Check the web site for the up-to-date catalog

Copyright © 2015-2021, ASSA ABLOY Accessories and Door Controls Group, Inc., an ASSA ABLOY Group company. All rights reserved. Reproduction in whole or in part without the express written permission of ASSA ABLOY Accessories and Door Controls Group, Inc. is prohibited.

ASSA ABLOY
Opening Solutions

Experience a safer
and more open world

Miter Returns For All Modular Ramp Thresholds

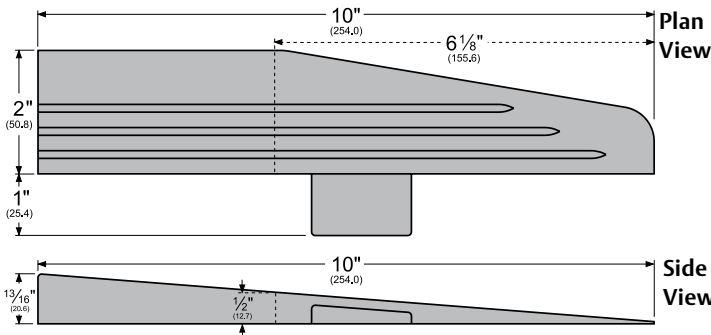
- Cast aluminum "wings" fit into end of modular ramp threshold assembly and are fastened to ramp mid sections with self-tapping machine screws
- Neat, compact, and tight-fitting design replaces former mitering methods
- Miter Returns are match-drilled with each assembly
- Miter Returns are not "ADA" compliant
- Miter Returns are handed from the low end and are determined by which side of the ramp it fits into



WING10_H_

AVAILABLE FINISHES: **A, AK**

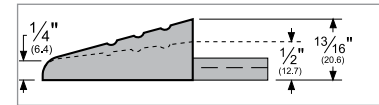
- WING10 can be trimmed to fit ramp assembly (dotted lines show cut down for use with R.5FMR_)



WING10RH_

(right-hand shown)

End View

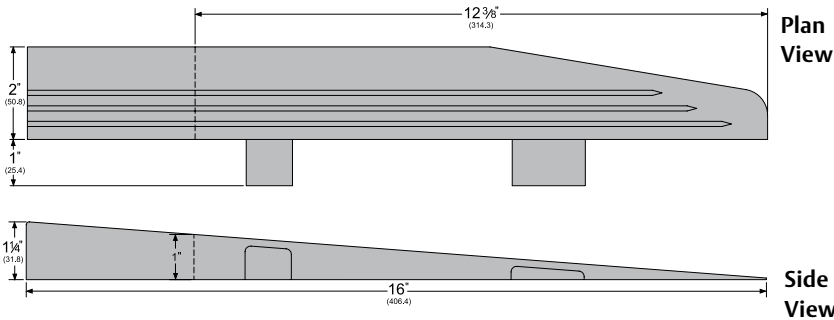


View from high-end

WING16_H_

AVAILABLE FINISHES: **A, AK**

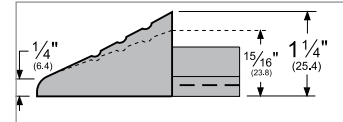
- WING16 can be trimmed to fit ramp assembly (dotted lines show cut down for use with R1FMR_)



WING16RH_

(right-hand shown)

End View

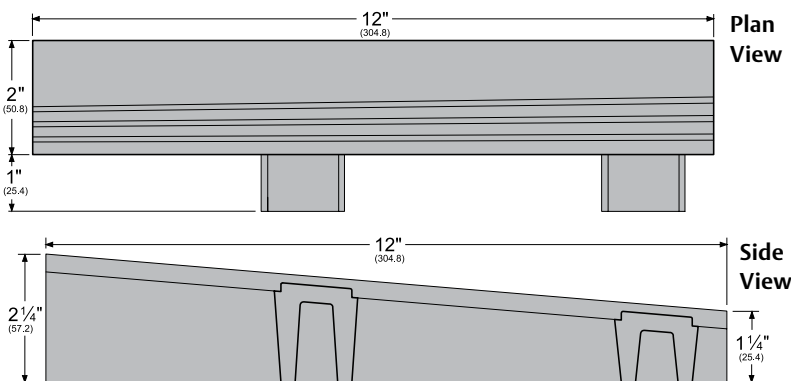


View from high-end

WINGEXT_H_

AVAILABLE FINISHES: **A, AK**

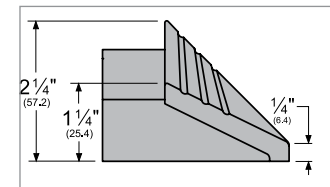
- WINGEXT are included with assemblies to completely fill ends for 2" offset or 2 1/4" flush conditions
- WINGEXT works in conjunction with WING16 for these higher offset conditions



WINGEXTRH_

(right-hand shown)

End View



View from high-end

See flyer on the Literature page of www.assaabloydooraccessories.us for WING cut-down chart.

AVAILABLE FINISHES FOR PRODUCTS SHOWN ON THIS PAGE (see General Information section for finish chart)
A (Mill Finish Aluminum) **AK** (Mill Finish Aluminum with PemKote™ Non-Slip Coating)

ASSA ABLOY
Opening Solutions

800-824-3018 | www.assaabloydooraccessories.us
Check the web site for the up-to-date catalog

Experience a safer
and more open world

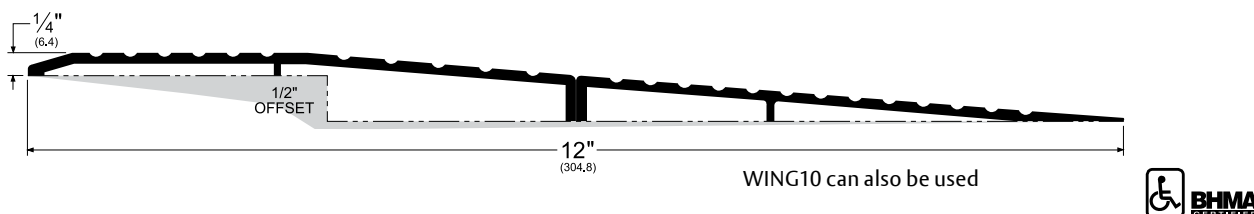
Copyright © 2015-2021, ASSA ABLOY Accessories and Door Controls Group, Inc., an ASSA ABLOY Group company. All rights reserved.
 Reproduction in whole or in part without the express written permission of ASSA ABLOY Accessories and Door Controls Group, Inc. is prohibited.

Barrier-Free Ramp Thresholds

- The modular ramp thresholds are an improvement over the **257/259** however, **257/259** will remain available for special requirements
- Use **257_** and **259_** together, or use **257_** with an abutted 1:12 concrete slope
- When used as a cover plate assembly (see Commercial Thresholds section), a longer spindle may be required
- Ramps on this page are not ADA compliant when used at a door opening
- The **257_** is not ADA compliant when used alone.
- PemKote™ is highly recommended for all threshold assemblies, especially exterior conditions where moisture may be present

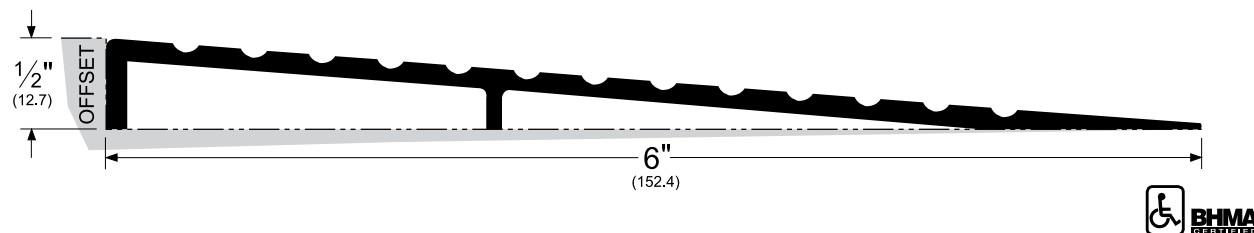
257x259_

AVAILABLE FINISHES: **10BE, A, AK, B, BSP, D, WSP**



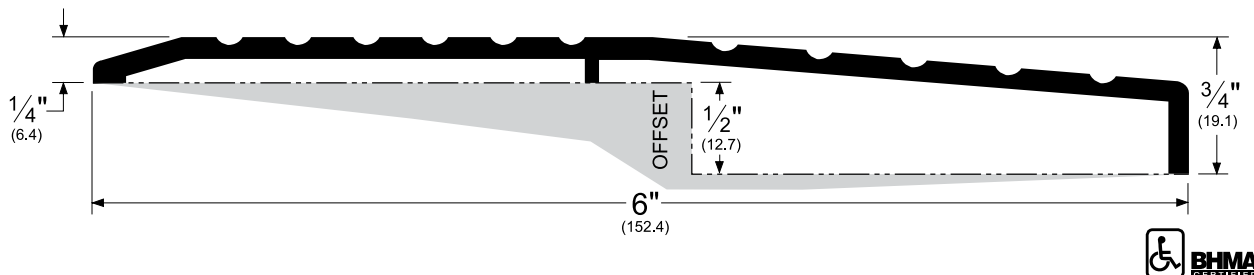
259_

AVAILABLE FINISHES: **10BE, A, AK, B, BSP, D, WSP**



257_

AVAILABLE FINISHES: **10BE, A, AK, B, BSP, D, WSP**



NOTE: Products shown in this section are not drawn to scale.

AVAILABLE FINISHES FOR PRODUCTS SHOWN ON THIS PAGE (see General Information section for finish chart)

- 10BE** (Satin Bronze Powder Coated Aluminum) **A** (Mill Finish Aluminum)
- AK** (Mill Finish Aluminum with PemKote™ Non-Slip Coating) **B** (Mill Finish Extruded Bronze [Brass])
- BSP** (Black Suede Powder Coated Aluminum) **D** (Dark Bronze Anodized)
- WSP** (White Suede Powder Coated Aluminum)

800-824-3018 | www.assaabloydooraccessories.us

Check the web site for the up-to-date catalog

Copyright © 2015-2021, ASSA ABLOY Accessories and Door Controls Group, Inc., an ASSA ABLOY Group company. All rights reserved. Reproduction in whole or in part without the express written permission of ASSA ABLOY Accessories and Door Controls Group, Inc. is prohibited.

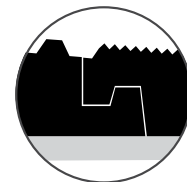
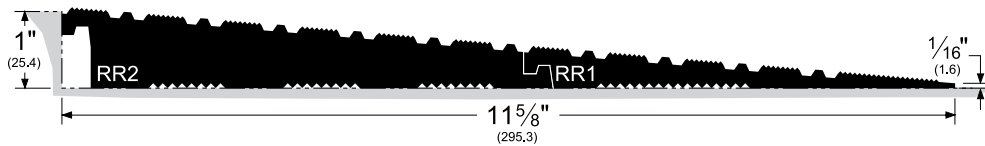
ASSA ABLOY
Opening Solutions

Experience a safer
and more open world

Fire Retardant and Styrene Butadiene Rubber Ramp Thresholds

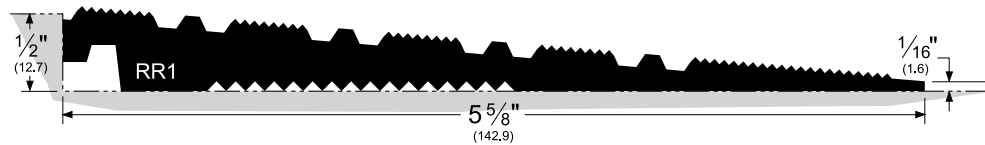
- Rubber ramps meet the requirements of **ADAAG-2010; IBC/ANSI A117.1; and California Title 24, Part 2**
- Styrene butadiene rubber ramps are weather, ozone, abrasion, and impact resistant; long-lasting and fire retardant
- Rubber ramps are sold in one foot increments up to 15-foot lengths
- Rubber ramps can be butted together for longer lengths
- Rubber ramps are cut square on each end but are available with molded rubber miter returns. To receive a pair of miter returns, add "MR" to the part number (example: **SBR.5FMR**)
- Rubber ramps have a superior grip, anti-slip surface and a "no bump" tapered lead edge. Rubber ramps are classified by Underwriters Laboratories, Inc.,[®] as a skid-resistant floor surface per **UL standard for safety, UL410**. Rubber ramps also meet the requirements of **ASTM D 2047** and **Federal Specification P-F-430C**
- Rubber ramps are easy to install on most surfaces by using a construction adhesive. Mechanical fasteners are not required and not recommended
- Rubber ramps are also portable. For temporary applications, an assembly stays in place by its sheer weight and can be removed from one opening and placed at another opening
- Use an adhesive (caulk) suitable for use with plastics and your flooring material for proper installation and adhesion
- Rubber ramps are available for 1/2" and 1" offset heights
- Rubber ramps can be cross-cut to length or ripped to a custom offset height using a table or radial arm saw with a carbide-tipped blade. These modifications must be made in the field

SBR1F SBR1FMR **

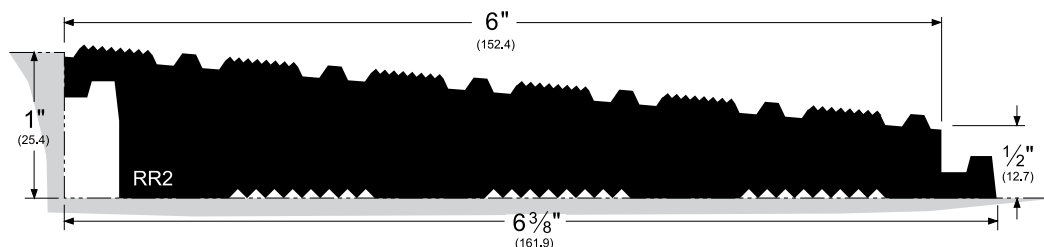


Assembly consists of two inter-locking components.

SBR.5F SBR.5FMR ** RR1



RR2



This component (RR2) is not ADA compliant when used by itself.

NOTE: Products shown in this section are not drawn to scale.

** = Miter Returns are not ADA compliant

ASSA ABLOY
Opening Solutions

Experience a safer
and more open world

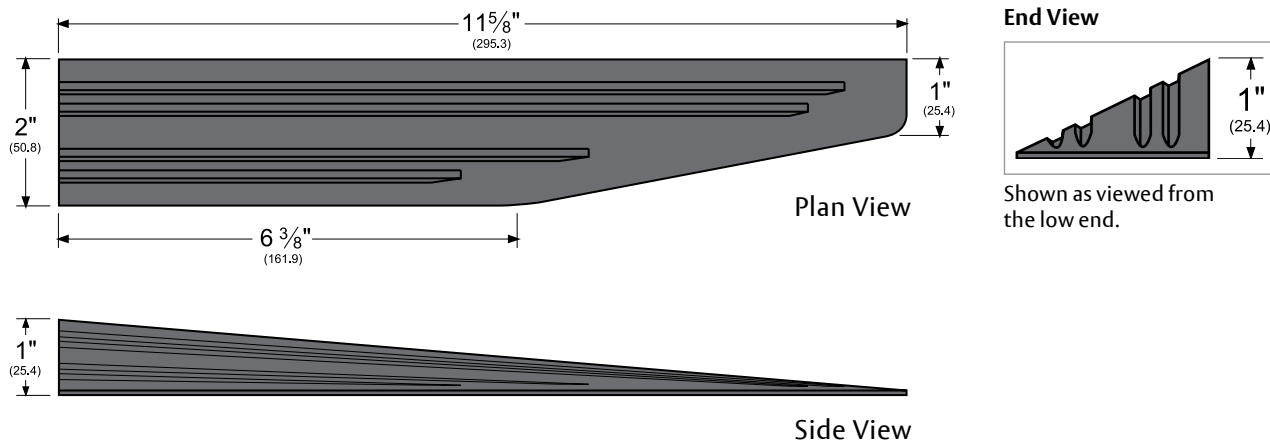
800-824-3018 | www.assaabloydooraccessories.us
Check the web site for the up-to-date catalog

Copyright © 2015-2021, ASSA ABLOY Accessories and Door Controls Group, Inc., an ASSA ABLOY Group company. All rights reserved. Reproduction in whole or in part without the express written permission of ASSA ABLOY Accessories and Door Controls Group, Inc. is prohibited.

Rubber Ramp Miter Returns

- Made from molded styrene butadiene rubber
- Glue miter returns to each end using an adhesive such as **RR200**
- Miter Returns are supplied in pairs: one left-hand (**RR12LH**) and one right-hand (**RR12RH**)
- If only one miter return is required, specify the handing

RR12_H



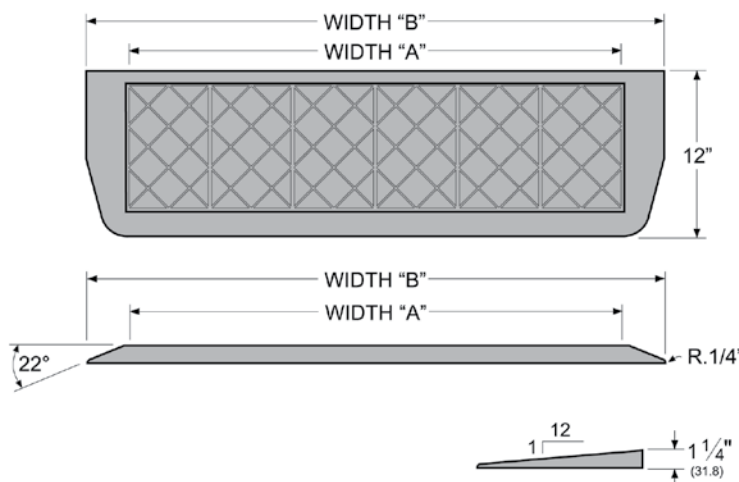
Recycled Rubber Ramp Assembly

- ADA Compliant, based on application
- Meets: **UL410, ASTM D2047, Federal Specification P-F-430C**
- Recycled Rubber Ramp Assemblies meet **IBC/ANSI A117.1-2013**
- Made from #20 mesh minus crumb rubber (with urethane binders) reclaimed from 100% recycled rubber automotive tires
- Use an adhesive (caulk) suitable for use with plastics and your flooring material for proper installation and adhesion. Avoid Liquid Nails with Rubber Ramps
- Using ordinary tools, trim to fit your application
- Can be ripped for offsets less than 1 1/4"
- Plane bottom surface of ramp to accommodate irregular surface conditions
- Miter returns are molded into the design of the Recycled Rubber Ramp
- 36" and 60" ramps are supplied as one (1) piece assemblies
- 48" and 72" ramps are supplied as two (2) piece assemblies
- Dimensions are nominal and can vary by as much as one inch. This is acceptable as long as the two halves match

Ordering Chart

Other sizes are available, please contact Pemko Customer Service.

PART #	WIDTH "A" (door opening)	WIDTH "B" (total width)
RR1.25FMR36	36"	41"
RR1.25FMR48	48"	53"
RR1.25FMR60	60"	65"
RR1.25FMR72	72"	77"
RR1.25FMR96	96"	101"



800-824-3018 | www.assaabloymodularramps.com
Check the web site for the up-to-date catalog

Copyright © 2015-2021, ASSA ABLOY Accessories and Door Controls Group, Inc., an ASSA ABLOY Group company. All rights reserved. Reproduction in whole or in part without the express written permission of ASSA ABLOY Accessories and Door Controls Group, Inc. is prohibited.

ASSA ABLOY
Opening Solutions

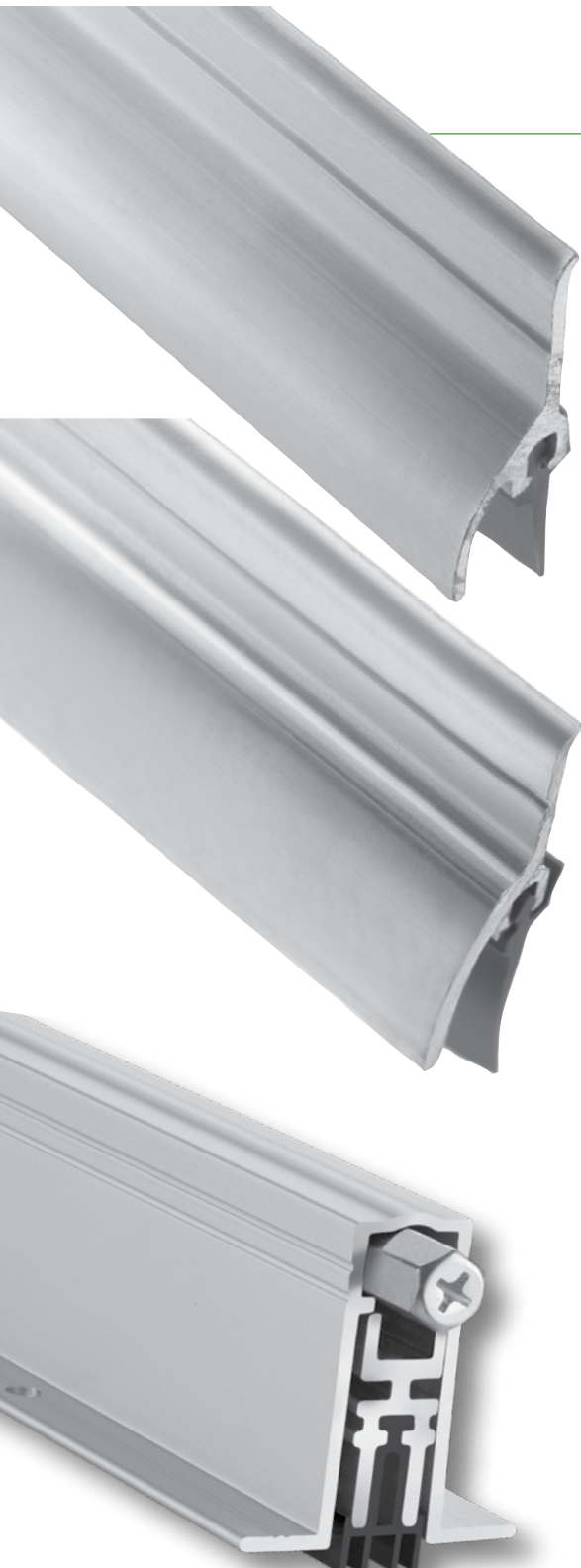
Experience a safer
and more open world

ASSA ABLOY
Opening Solutions

Experience a safer
and more open world

800-824-3018 | www.assaabloydooraccessories.us
Check the web site for the up-to-date catalog

Copyright © 2015-2021, ASSA ABLOY Accessories and Door Controls Group, Inc., an ASSA ABLOY Group company. All rights reserved.
Reproduction in whole or in part without the express written permission of ASSA ABLOY Accessories and Door Controls Group, Inc. is prohibited.



Pemko Door Bottoms

CONTENTS:

- Automatic Door Bottoms150
- Security Door Bottoms154
- Residential Automatic Door Bottoms154
- End Plates for Automatic Door Bottoms.....155
- Excessive Gap Door Bottom Solutions156
- Excessive Gap Door Top Solutions.....156
- Eco-V™ Door Shoes.....156
- Door Shoes157
- Thermally Broken Door Shoe.....159
- Door Sweeps for Hollow Metal Doors160
- Fabrication Options for Door Shoes160
- Door Bottom Sweeps161
- Stainless Steel Door Bottom Sweeps.....164
- Specialty Door Bottoms.....165
- Door Top Weatherstrip.....165
- Heavy Duty Door Bumper165

INDEX:

PRODUCT	PAGE	PRODUCT	PAGE	PRODUCT	PAGE
56.....	162	344.....	165	90062.....	163
57.....	162	345.....	162, 163	90100.....	163
68.....	165	346.....	165	E199.....	165
196.....	154, 165	347.....	165	EGA305xG.....	156
209.....	157	368.....	161	EV80.....	156
210.....	157	405.....	154	K411.....	155
211.....	157	411.....	153	K412.....	155
215.....	157	412.....	152	K420.....	155
216.....	157	420.....	153	K435-PREM.....	155
216_FG.....	159	434.....	153	K435.....	155
217.....	157	2113.....	158	K436.....	155
221.....	159	2170.....	156	K436SM.....	155
222.....	160	2173.....	158	K4133.....	155
223.....	158	2211.....	159	K4301.....	155
225.....	160	2212.....	159	SA1.....	154
234.....	157	2221.....	160	SA2.....	154
270.....	154	2343.....	158	SA3.....	154
307.....	162	3151.....	161	SA4.....	154
308.....	162	3151SS.....	164	STC411.....	151
313.....	165	3452.....	162, 163	STC4131.....	151
314.....	165	3692.....	158	STC510.....	154
315.....	161	4131.....	152	XG2212.....	156
315SS.....	164	4301.....	152		
317.....	165	18061.....	163		
321.....	161	18100.....	163		
321SS.....	164	18137.....	163		
325XGSS.....	156	293100.....	163		

800-824-3018 | www.assaabloydooraccessories.us
 Check the web site for the up-to-date catalog

Copyright © 2015-2021, ASSA ABLOY Accessories and Door Controls Group, Inc., an ASSA ABLOY Group company. All rights reserved.
 Reproduction in whole or in part without the express written permission of ASSA ABLOY Accessories and Door Controls Group, Inc. is prohibited.

ASSA ABLOY
 Opening Solutions

Experience a safer
 and more open world

Automatic Door Bottoms

- All Pemko Automatic Door Bottoms, 24" and up, can be manufactured for field alteration. Please specify when ordering: Allow 2" for field trimming
- Overall sizes range from 12" to 72". Sizes between 12" and 23.9" will be supplied at absolute NET length and will have no room for field trimming.
- 0.0625" Lead-lining available upon request; contact Pemko Customer Service for options on profiles
- Provided with end plate kits (except 420, SA, and 405V models) which include wood screws. Tek screws are available for mounting to hollow metal doors.
- See Planet Automatic Door Bottoms for additional models made by ASSA ABLOY Schweisse and offered in the U.S.A. by Pemko.

Important Drop Bar Information

Drop seals of all types are designed to close a uniform size gap. Pemko drop seals can seal up to $\frac{3}{4}$ " gaps (420 model can seal up to $\frac{1}{2}$ " gap), provided the gap is consistent. Gaps that start at less than $\frac{3}{4}$ " and then grow cannot be closed. The drop seal utilizes a straight aluminum extrusion so it cannot close an inconsistent gap.

Plunger extension to drop dimension is 1:1 (i.e., a $\frac{1}{4}$ " extension on the plunger will equal a $\frac{1}{4}$ " drop of the drop bar).

Drop-Bar Seal Actuation

The drop bar mechanism prevents the seal from skidding along the floor/threshold while the door is being closed.



ASSA ABLOY
Opening Solutions

Experience a safer
and more open world

800-824-3018 | www.assaabloydooraccessories.us

Check the web site for the up-to-date catalog

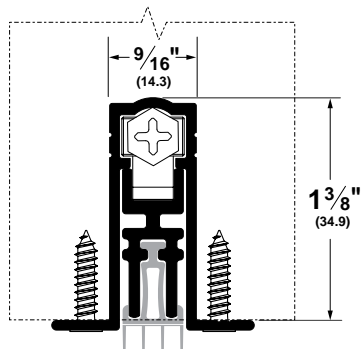
Copyright © 2015-2021, ASSA ABLOY Accessories and Door Controls Group, Inc., an ASSA ABLOY Group company. All rights reserved. Reproduction in whole or in part without the express written permission of ASSA ABLOY Accessories and Door Controls Group, Inc. is prohibited.

Automatic Door Bottoms - Acoustic

- Non-handed
- Recommended gap under door is $\frac{3}{8}$ " for optimal acoustic performance; max drop is $\frac{3}{4}$ "
- Internal mechanism allows bar to accommodate slight imperfections in floor materials
- STC411 end plate kit is K435; for doors narrower than $1\text{-}\frac{3}{4}$ ", specify end plate kit K411
- STC4131 end plate kit is K4133C for Clear Anodized and K4133D for Dark Bronze Anodized

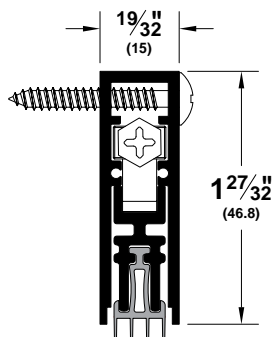
STC411_PK

AVAILABLE FINISHES: A
REPLACEMENT INSERT: PK4111 (BL)
ANSI: R3G324, R3G325



STC4131_PK

AVAILABLE FINISHES: 10BE, BSP, C, D, WSP
REPLACEMENT INSERT: PK4111 (BL)
ANSI: R3G334, R3G335, R3G344, R3G345



NOTE: STC411_PK Automatic Door Bottom is now included in PEMKOSTCSET-1 (A through E). Please see Acoustic Products section for more information.

NOTE: Products shown in this section may not be drawn to scale.

AVAILABLE FINISHES FOR PRODUCTS SHOWN ON THIS PAGE (see General Information section for finish chart)
10BE (Satin Bronze Powder Coated Aluminum) A (Mill Finish Aluminum) BSP (Black Suede Powder Coated Aluminum)
C (Clear Anodized) D (Dark Bronze Anodized) WSP (White Suede Powder Coated Aluminum)

800-824-3018 | www.assaabloydooraccessories.us

Check the web site for the up-to-date catalog

Copyright © 2015-2021, ASSA ABLOY Accessories and Door Controls Group, Inc., an ASSA ABLOY Group company. All rights reserved.
Reproduction in whole or in part without the express written permission of ASSA ABLOY Accessories and Door Controls Group, Inc. is prohibited.

ASSA ABLOY
Opening Solutions

Experience a safer
and more open world

Automatic Door Bottoms - Surface and Semi-Mortise Models

- Specify if the Automatic Door Bottom is for a semi-mortise application so that shorter screws can be provided
- Recommended gap under door is 1/2," maximum drop is 3/4"
- 4301 end plate kit is K436 for surface mounted applications and K436SM for semi-mortised applications
- 4131 end plate kit is K4133
- 412 end plate kit is K412R1

4301_NBL

AVAILABLE FINISHES: **BSP, C, D**
 REPLACEMENT INSERT: **P516062 (BL, GR, W)**
 ANSI: **R3A334, R3A335, R3A344, R3A345**

nylon brush (NB)

4301_PKL

AVAILABLE FINISHES: **BSP, C, D**
 REPLACEMENT INSERT: **PK4304 (BL)**
 ANSI: **R3G334, R3G335, R3G344, R3G345**

PemkoPrene™ (PK)

Alternate Insert For 4301

4301_RL

AVAILABLE FINISHES: **BSP, C, D**
 REPLACEMENT INSERT: **E4303 (BL)**
 ANSI: **R3G334, R3G335, R3G344, R3G345**

sponge EPDM (R)

4131_NBL

AVAILABLE FINISHES: **BSP, C, D, SN**
 REPLACEMENT INSERT: **P516041 (BL, GR)**
 ANSI: **R3A334, R3A335, R3A344, R3A345**

nylon brush (NB)

4131_RL

AVAILABLE FINISHES: **BSP, C, D, SN**
 REPLACEMENT INSERT: **E7 (BL)**
 ANSI: **R3G334, R3G335, R3G344, R3G345**

sponge EPDM (R)

Alternate Inserts For 4131

4131_PKL

AVAILABLE FINISHES: **BSP, C, D, SN**
 REPLACEMENT INSERT: **PK4132 (BL)**
 ANSI: **R3G334, R3G335, R3G344, R3G345**

PemkoPrene™ (PK)

4131_SL

AVAILABLE FINISHES: **BSP, C, D, SN**
 REPLACEMENT INSERT: **SR6 (BL)**
 ANSI: **R3E334, R3E335, R3E344, R3E345**

sponge silicone (S)

412_NBL

AVAILABLE FINISHES: **B, BSP, C, D, S**
 REPLACEMENT INSERT: **P516041 (BL, GR)**
 ANSI: **R3A334, R3A335**

- Surface mounted application
- Handed and disassembly of the mechanism is required to reverse the hand

nylon brush (NB)

412_RL

AVAILABLE FINISHES: **B, BSP, C, D, S**
 REPLACEMENT INSERT: **E7 (BL)**
 ANSI: **R3G334, R3G335**

- Surface mounted application
- Handed and disassembly of the mechanism is required to reverse the hand

sponge EPDM (R)

Alternate Inserts For 412

412_SL

AVAILABLE FINISHES: **B, BSP, C, D, S**
 REPLACEMENT INSERT: **SR6 (BL)**
 ANSI: **R3E334, R3E335**

sponge silicone (S)

412_PKL

AVAILABLE FINISHES: **B, BSP, C, D, S**
 REPLACEMENT INSERT: **PK4132 (BL)**
 ANSI: **R3G334, R3G335**

PemkoPrene™ (PK)

All above products

NOTE: Products shown in this section may not be drawn to scale.

AVAILABLE FINISHES FOR PRODUCTS SHOWN ON THIS PAGE (see General Information section for finish chart)
B (Cladded Brass Shell) **BSP** (Black Suede Powder Coated Aluminum) **C** (Clear Anodized)
D (Dark Bronze Anodized) **S** (Cladded Stainless Steel) **SN** (Satin Nickel Anodized)

800-824-3018 | www.assaabloydooraccessories.us

Check the web site for the up-to-date catalog

ASSA ABLOY
Opening Solutions

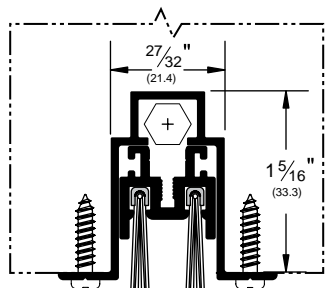
Experience a safer
and more open world

Automatic Door Bottoms - Full-Mortise Models

- Recommended drop is 1/2"; maximum drop is 3/4", except where noted
- 411 and 434 end plate kit is K435. When using 411 model on doors narrower than 1 3/4", specify end plate kit K411
- 420 is used on hollow metal doors and does not come with end plates; requires a hole for the plunger to extend through in the hinge side door edge.

434_NBL

AVAILABLE FINISH: A
REPLACEMENT INSERT: P516062 (BL, GR, W)
ANSI: R3A324, R3A325

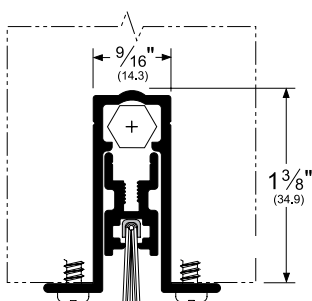


nylon brush (NB)



411_NBL

AVAILABLE FINISH: A
REPLACEMENT INSERT: P516041 (BL, GR)
ANSI: R3A324, R3A325

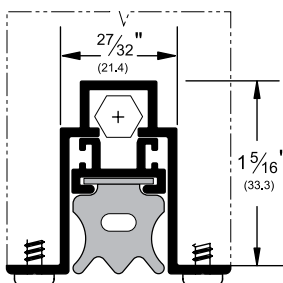


nylon brush (NB)



434_RL

AVAILABLE FINISH: A
REPLACEMENT INSERT: E4303 (BL)
ANSI: R3G324, R3G325

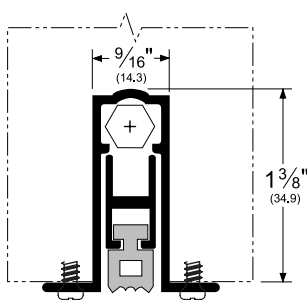


sponge EPDM (R)



411_RL

AVAILABLE FINISH: A
REPLACEMENT INSERT: E7 (BL)
ANSI: R3G324, R3G325



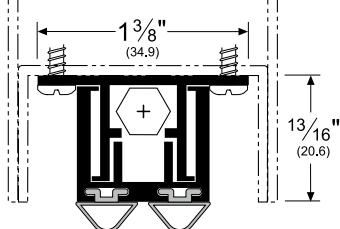
sponge EPDM (R)



420_PKL

AVAILABLE FINISH: A
REPLACEMENT INSERT: PK4 (BL, GR)
ANSI: R3G324, R3G325

- For hollow metal doors maximum drop is 1/2"
- Recommended drop is 3/8"



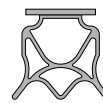
PemkoPrene™ (PK)



Alternate Inserts For 434

434_PKL

AVAILABLE FINISH: A
REPLACEMENT INSERT: PK4304 (BL)
ANSI: R3G324, R3G325



PemkoPrene™ (PK)



Alternate Inserts For 411

411_PKL

AVAILABLE FINISH: A
REPLACEMENT INSERT: PK4132 (BL)
ANSI: R3G324, R3G325



PemkoPrene™ (PK)



411_SL

AVAILABLE FINISHES: A
REPLACEMENT INSERT: SR6 (BL)
ANSI: R3E324, R3E325



sponge silicone (S)



Alternate Inserts For 420

420_VL

AVAILABLE FINISH: A
REPLACEMENT INSERT: EV41 (BL, GR, W)



Eco-V™ (V)



420_SL

AVAILABLE FINISH: A
REPLACEMENT INSERT: S4 (BL, GR)
ANSI: R3G324, R3G325



silicone (S)



NOTE: Products shown in this section may not be drawn to scale.

AVAILABLE FINISHES FOR PRODUCTS SHOWN ON THIS PAGE (see General Information section for finish chart)
A (Mill Finish Aluminum)

800-824-3018 | www.assaabloydooraccessories.us

Check the web site for the up-to-date catalog

Copyright © 2015-2021, ASSA ABLOY Accessories and Door Controls Group, Inc., an ASSA ABLOY Group company. All rights reserved.
Reproduction in whole or in part without the express written permission of ASSA ABLOY Accessories and Door Controls Group, Inc. is prohibited.

ASSA ABLOY
Opening Solutions

Experience a safer
and more open world

Security Door Bottoms

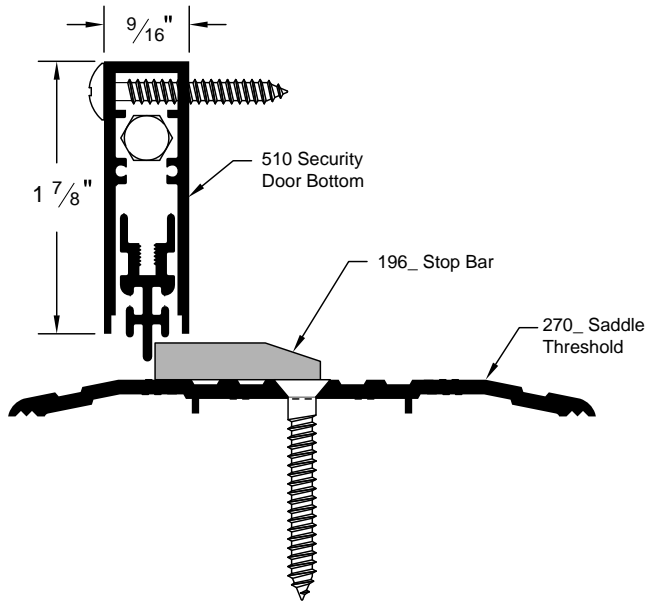
- Help prevent break-ins with Pemko security door bottoms
- Great for office buildings, dormitories, hotel/motels, multi-family housing, and other applications where break-ins from interior lever-handles are a problem
- Mounting screws and a cam are included
- Order stop bar (196) and thresholds (270, 2364, etc.) separately

STC510_

AVAILABLE FINISHES: **C, D**
 AVAILABLE LENGTHS: **36", 42", 48"**
 ANSI: **R3Y334, R3Y335, R3Y344, R3Y345**

196_ and 270_

AVAILABLE FINISHES:
A, B, D

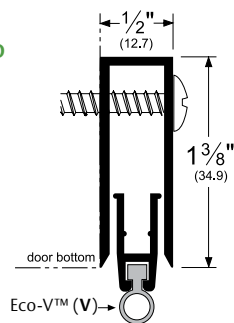


Residential Automatic Door Bottoms

SA1_, SA2_, SA3_, SA4_

AVAILABLE FINISHES: **A** (no finish selection), **D**
 AVAILABLE LENGTHS: **28", 32", 36", 42"**
 REPLACEMENT INSERT: **EV5 (BL)**

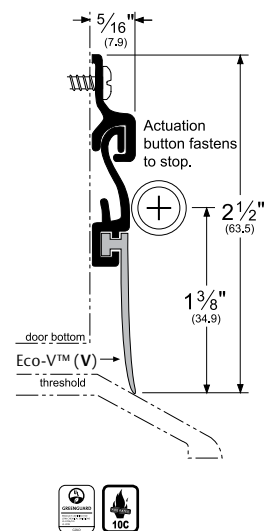
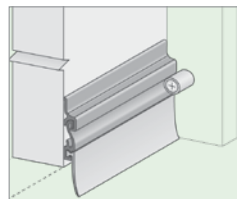
- Surface type for wood doors
- 1/2" maximum drop
- Can be trimmed down by as much as 2"
- Non-handed
- End plates are not provided



405_V

AVAILABLE FINISHES: **C, D, PW**
 REPLACEMENT INSERT: **EV43 (BL, GR)**

- Spring loaded door bottom sweep
- Available in 36" length only
- May be cut down to 24" minimum length



NOTE: Products shown in this section may not be drawn to scale.

AVAILABLE FINISHES FOR PRODUCTS SHOWN ON THIS PAGE (see General Information section for finish chart)
A (Mill Finish Aluminum) **B** (Mill Finish Extruded Bronze [Brass]) **C** (Clear Anodized) **D** (Dark Bronze Anodized)
G (Gold Anodized) **PW** (Painted White)

ASSA ABLOY
 Opening Solutions

Experience a safer
 and more open world

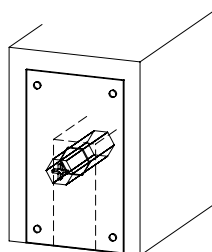
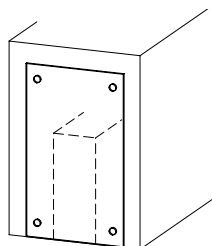
800-824-3018 | www.assaabloydooraccessories.us
 Check the web site for the up-to-date catalog

Copyright © 2015-2021, ASSA ABLOY Accessories and Door Controls Group, Inc., an ASSA ABLOY Group company. All rights reserved.
 Reproduction in whole or in part without the express written permission of ASSA ABLOY Accessories and Door Controls Group, Inc. is prohibited.

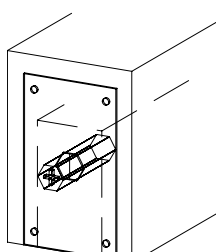
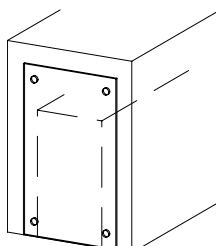
End Plates for Automatic Door Bottoms

- Metal end plates are provided to protect the mechanism and to give a clean, aesthetic appearance. Do not tighten with power tool
- Plunger end plate prevents the plunger adjustment from rotating
- Necessary fasteners are provided with End Plate kits; color corresponds with case color
- All end plates are black in color

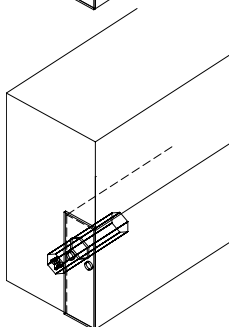
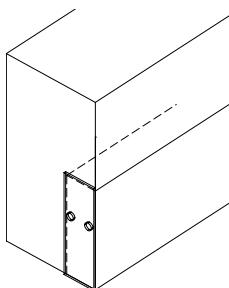
411 and STC411
End Plates Mortise



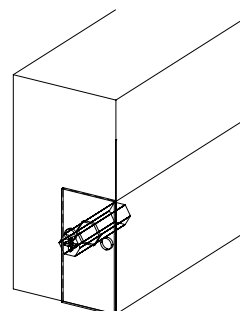
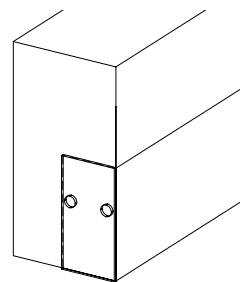
434 End Plates
Mortise



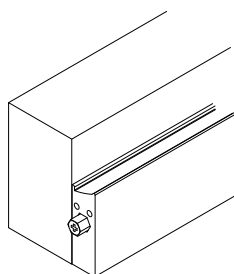
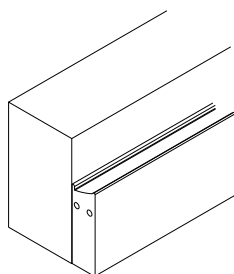
4131 and STC4131
Auto Door Bottom
Semi-Mortise*



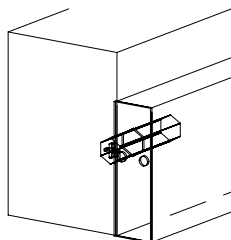
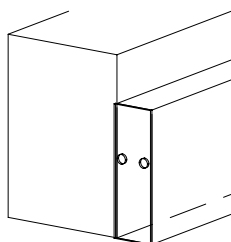
430 Auto Door
Bottom Semi-
Mortise*



412 New Style
End Plates



510 End Plates
Surface Mount



Automatic Door Bottom Kits

K411	Optional Kit for 411 and STC411 Door Bottom, 1 ³ / ₈ " Doors
K412R1C	Kit for new style 412 Door Bottom - Clear
K412R1D	Kit for new style 412 Door Bottom - Dark Bronze
K4133C	Kit for 4131, STC4131, and STC510 Door Bottoms, Clear
K4133D	Kit for 4131, STC4131, and STC510 Door Bottoms, Dark Bronze
K4133G	Kit for 4131 Door Bottom, Bright Dip Gold
K420	Kit for 420 Door Bottom
K435	Standard Kit for 411, 434, and STC411 Door Bottom
K436	Kit for 4301 Door Bottom (surface)
K436SM	Kit for 4301 Door Bottom (semi-mortised)
K435-PREM	Special End-Support Mounting Kit for 434 (sold separately)

800-824-3018 | www.assaabloydooraccessories.us

Check the web site for the up-to-date catalog

Copyright © 2015-2021, ASSA ABLOY Accessories and Door Controls Group, Inc., an ASSA ABLOY Group company. All rights reserved. Reproduction in whole or in part without the express written permission of ASSA ABLOY Accessories and Door Controls Group, Inc. is prohibited.

ASSA ABLOY
Opening Solutions

Experience a safer
and more open world

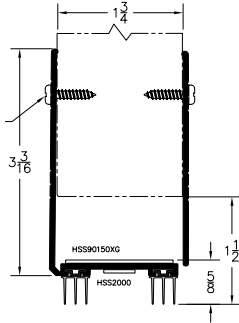
Excessive Gap Door Bottom Solutions

- Brings fire-rated doors with excessive bottom gaps back into spec - up to 1-1/2"
- UL Classified for 90-minutes
- Supplied net length (as ordered)

XG2212_PK773

AVAILABLE FINISHES: **A, BSP, WSP, 10BE**
REPLACEMENT INSERT: **PK773 (BL)**

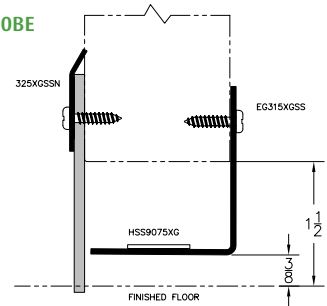
- Aluminum construction
- Easily field modifiable with standard equipment
- Supplied with K450XG end plate kit



325XGSSN

AVAILABLE FINISHES: **SS, SSBSP, SSWSP, SS10BE**
REPLACEMENT INSERT: **N25 (BL)**

- Stainless steel door sweep paired with stainless steel angle
- #4 brushed stainless steel
- Supplied with K450XG end plate kit



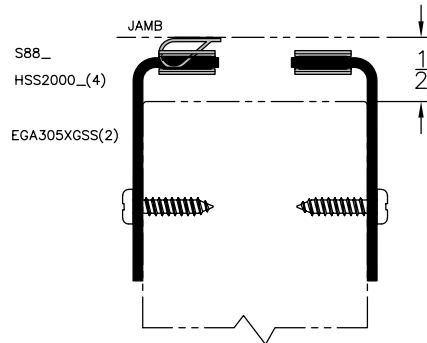
Excessive Gap Door Top Solutions

- Brings fire-rated doors with excessive top gaps back into spec - up to 1/2"
- UL Classified for 90-minutes
- Supplied net length (as ordered)

EGA305XG_

AVAILABLE FINISHES: **SS, SSBSP, SSWSP, SS10BE**

- Stainless steel construction, #4 brushed
- Supplied with HSS2000 intumescent
- Supplied with K450XG end plate kit

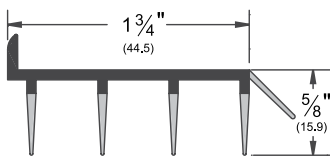


Eco-V™ Door Shoes

- Dual durometer Eco-V™ door shoe
- EV80_ is furnished net 36"
- Supplied Net Length (as ordered)

EV80_

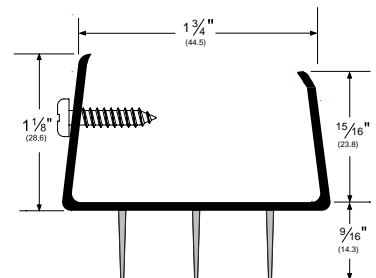
AVAILABLE FINISHES: **D**
AVAILABLE LENGTHS: **36" NET**



2170_V

AVAILABLE COLORS: **D, W**
AVAILABLE LENGTHS: **36", 48"**

Also available with unnotched insert:
2170_V36UN
2170_V48UN



NOTE: Products shown in this section may not be drawn to scale.

AVAILABLE FINISHES FOR PRODUCTS SHOWN ON THIS PAGE (see General Information section for finish chart)
10BE (Satin Bronze Powder) **A** (Mill Finish Aluminum) **BSP** (Black Suede Powder)
SS (Stainless Steel) **WSP** (White Suede Powder)
Eco-V® DOORS SHOES: **D** (Dark Brown) **W** (White)

ASSA ABLOY
Opening Solutions

Experience a safer
and more open world

800-824-3018 | www.assaabloydooraccessories.us

Check the web site for the up-to-date catalog

Door Shoes

- Profiles on this page available with PemkoPrene™ (PK) or
- Eco-V™ (V); both are the same shape and size
- Slotted holes for easy adjustment
- Rain drip model is ideal for deflecting rain away from the bottom of door

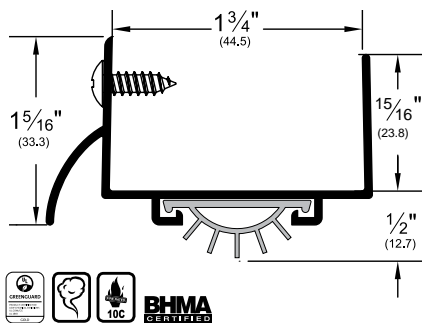
- Recommended compression of gasket fins is 1/16"
- Except where specified otherwise, supplied with 1/4" undercut from length ordered. Specify "NET LENGTH" to receive length as ordered.

216_V

AVAILABLE FINISHES: **A, B, BDG, BSP, D, PW, SN**
 REPLACEMENT INSERT: **EV9 (BL, GR)**
 ANSI: **R3D514**

216_PK

AVAILABLE FINISHES: **A, B, BDG, BSP, D, PW, SN**
 REPLACEMENT INSERT: **PK9 (BL, GR)**
 ANSI: **R3G514**

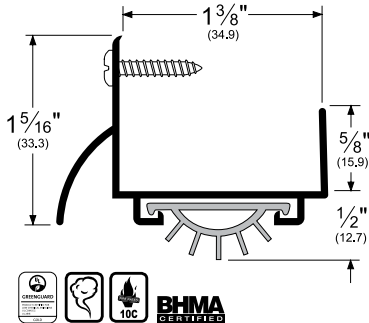


215_V

AVAILABLE FINISHES: **A, BDG, BSP, D, G, PW, SN**
 REPLACEMENT INSERT: **EV9 (BL, GR)**
 ANSI: **R3D514**

215_PK

AVAILABLE FINISHES: **A, BDG, BSP, D, G, PW, SN**
 REPLACEMENT INSERT: **PK9 (BL, GR)**
 ANSI: **R3G514**

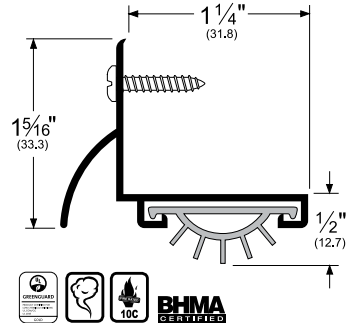


210_V

AVAILABLE FINISHES: **A, BDG, BSP, D, G, PW, SN**
 REPLACEMENT INSERT: **EV9 (BL, GR)**
 ANSI: **R3D514**

210_PK

AVAILABLE FINISHES: **A, BDG, BSP, D, G, PW, SN**
 REPLACEMENT INSERT: **PK9 (BL, GR)**
 ANSI: **R3G514**

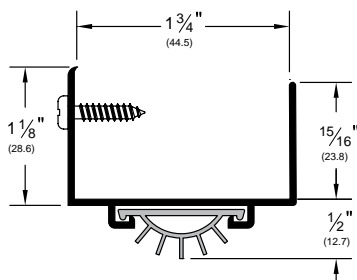


217_V

AVAILABLE FINISHES: **A, BSP, D, G, PW, SN**
 REPLACEMENT INSERT: **EV9 (BL, GR)**
 ANSI: **R3D414**

217_PK

AVAILABLE FINISHES: **A, BSP, D, G, PW, SN**
 REPLACEMENT INSERT: **PK9 (BL, GR)**
 ANSI: **R3G414**

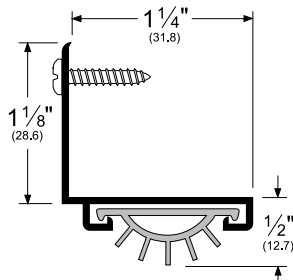


211_V

AVAILABLE FINISHES: **A, BSP, D, G**
 REPLACEMENT INSERT: **EV9 (BL, GR)**
 ANSI: **R3D414**

211_PK

AVAILABLE FINISHES: **A, BSP, D, G**
 REPLACEMENT INSERT: **PK9 (BL, GR)**
 ANSI: **R3G414**



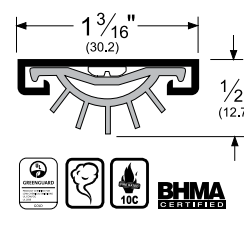
234_V

AVAILABLE FINISHES: **A, BSP, D, G**
 REPLACEMENT INSERT: **EV9 (BL, GR)**
 ANSI: **R3D414**

234_PK

AVAILABLE FINISHES: **A, BSP, D, G**
 REPLACEMENT INSERT: **PK9 (BL, GR)**
 ANSI: **R3G414**

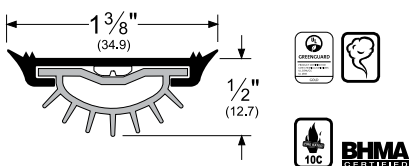
- Supplied Net Length (as ordered)



209_V

AVAILABLE FINISHES: **A, BSP, D**
 REPLACEMENT INSERT: **EV15 (BL, GR)**
 ANSI: **R3D414**

- Supplied Net Length (as ordered)



NOTE: Products shown in this section may not be drawn to scale.

AVAILABLE FINISHES FOR PRODUCTS SHOWN ON THIS PAGE (see General Information section for finish chart)

A (Mill Finish Aluminum) **BDG** (Bright Dip Gold Anodized) **BSP** (Black Suede Powder Coated Aluminum)

D (Dark Bronze Anodized) **G** (Gold Anodized) **PW** (Painted White)

800-824-3018 | www.assaabloydooraccessories.us

Check the web site for the up-to-date catalog

Copyright © 2015-2021, ASSA ABLOY Accessories and Door Controls Group, Inc., an ASSA ABLOY Group company. All rights reserved. Reproduction in whole or in part without the express written permission of ASSA ABLOY Accessories and Door Controls Group, Inc. is prohibited.

ASSA ABLOY
 Opening Solutions

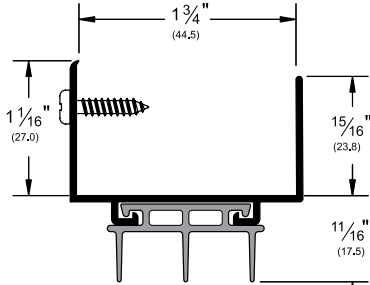
Experience a safer
 and more open world

Door Shoes (Cont.)

- Notched-fin gaskets (where applicable) allow up to 50% free air flow

2173_V

AVAILABLE FINISHES: **A, BSP, D, G, PW**
 AVAILABLE LENGTHS: **36", 48"**
 REPLACEMENT INSERT: **EV94 (BL)**
 ANSI: **R3D414, R3D415**



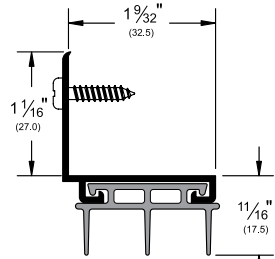
Also available with unnotched insert:

2173_V36UN
 2173_V48UN



2113_V

AVAILABLE FINISHES: **A, BSP, D, G**
 AVAILABLE LENGTHS: **36", 48"**
 REPLACEMENT INSERT: **EV94 (BL)**
 ANSI: **R3D414, R3D415**



Also available with unnotched insert:

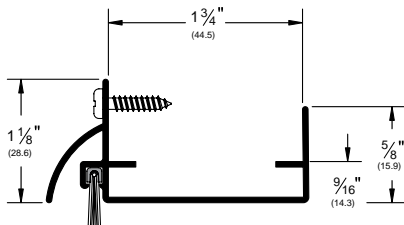
2113_V36UN
 2113_V48UN



223_NB

AVAILABLE FINISHES: **A, BSP**
 REPLACEMENT INSERT: **P516041 (BL, GR)**
 ANSI: **R3A514, R3A515**

- Supplied Net Length (as ordered)

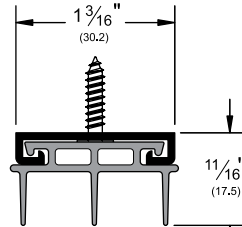


- Recommended compression of gasket fins is 1/16

2343_V

AVAILABLE FINISHES: **A, BSP, D, G**
 AVAILABLE LENGTHS: **36", 48"**
 REPLACEMENT INSERT: **EV94 (BL)**
 ANSI: **R3D414, R3D415**

- Supplied Net Length (as ordered)



Also available with unnotched insert:

2343_V36UN
 2343_V48UN

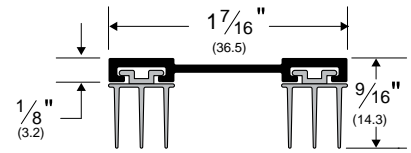


- Except where noted, supplied with 1/4" undercut from length ordered. Specify "NET LENGTH" to receive length as ordered.

3692_PK773

AVAILABLE FINISHES: **A**
 AVAILABLE LENGTHS: **36", 48"**
 REPLACEMENT INSERT: **PK773 (BL, GR)**
 ANSI: **R3G414, R3G415**

- Supplied Net Length (as ordered)



Replacement "V" gasket for Door Shoes on this page is EV94. For replacement gasket with notched fins, add "N" to the end of the part number.

Example:

EV94BL-36.5 - Unnotched fins

EV94BL-36.5N - Notched fins (for airflow)

NOTE: Products shown in this section may not be drawn to scale.

AVAILABLE FINISHES FOR PRODUCTS SHOWN ON THIS PAGE (see General Information section for finish chart)
A (Mill Finish Aluminum) **BDG** (Bright Dip Gold Anodized) **BSP** (Black Suede Powder Coated Aluminum)
D (Dark Bronze Anodized) **G** (Gold Anodized) **PW** (Painted White)

ASSA ABLOY
 Opening Solutions

Experience a safer
 and more open world

800-824-3018 | www.assaabloydooraccessories.us

Check the web site for the up-to-date catalog

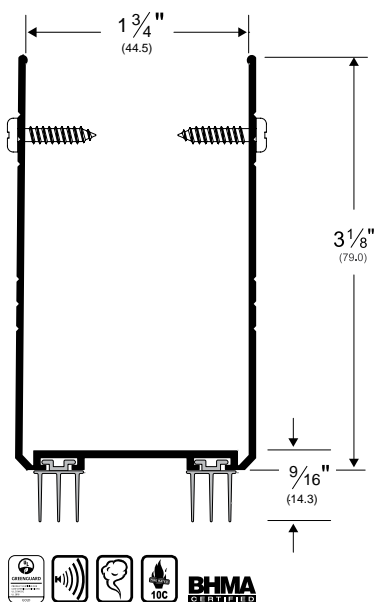
Copyright © 2015-2021, ASSA ABLOY Accessories and Door Controls Group, Inc., an ASSA ABLOY company. All rights reserved. Reproduction in whole or in part without the express written permission of ASSA ABLOY Accessories and Door Controls Group, Inc. is prohibited.

Door Shoes (Cont.)

2212_PK773

AVAILABLE FINISHES: **A, BSP**
 REPLACEMENT INSERT: **PK773 (BL)**
 ANSI: **R3G416**

- Combination door shoe and kick plate
- Excellent Acoustic performance
- Supplied Net Length (as ordered)



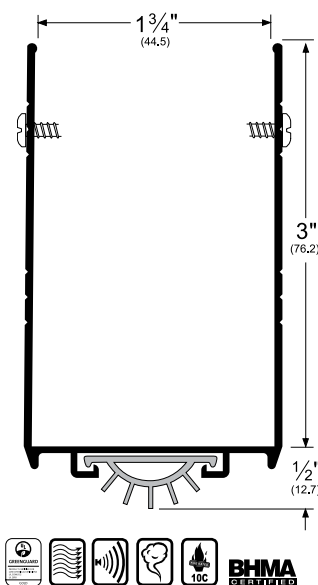
221_V

AVAILABLE FINISHES: **A, BSP, D, G**
 REPLACEMENT INSERT: **EV9 (BL, GR)**
 ANSI: **R3D414**

221_PK

AVAILABLE FINISHES: **A, BSP, D, G**
 REPLACEMENT INSERT: **PK9 (BL, GR)**
 ANSI: **R3G414**

- Combination door shoe and kick plate
- Supplied Net Length (as ordered)



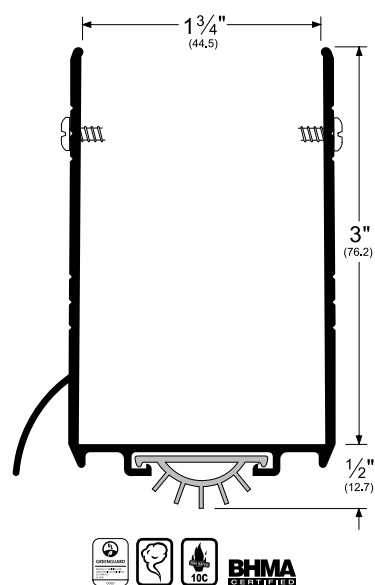
2211_V

AVAILABLE FINISHES: **A, BSP, D, G**
 REPLACEMENT INSERT: **EV9 (BL, GR)**
 ANSI: **R3D514**

2211_PK

AVAILABLE FINISHES: **A, BSP, D, G**
 REPLACEMENT INSERT: **PK9 (BL, GR)**
 ANSI: **R3G514**

- Combination door shoe and kick plate with raindrip
- Supplied Net Length (as ordered)

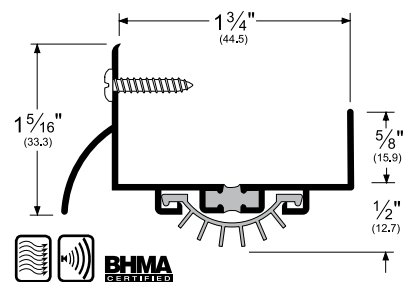


Thermally Broken Door Shoe

- Polypropylene thermal break (FG) prevents conductivity of hot or cold from exterior to interior. Supplied with PemkoPrene™ Seal
- Supplied Net Length (as ordered)

216_FG

AVAILABLE FINISHES: **BDC, BSP, D, PW, SN**
 REPLACEMENT INSERT: **PK216 (BL, GR)**
 ANSI: **R3D514**



NOTE: Products shown in this section may not be drawn to scale.

AVAILABLE FINISHES FOR PRODUCTS SHOWN ON THIS PAGE (see General Information section for finish chart)
A (Mill Finish Aluminum) **BDC** (Bright Dip Clear) **BSP** (Black Suede Powder Coated Aluminum)
D (Dark Bronze Anodized) **G** (Gold Anodized) **PW** (Painted White) **SN** (Satin Nickel Anodized)

800-824-3018 | www.assaabloydooraccessories.us
 Check the web site for the up-to-date catalog

Copyright © 2015-2021, ASSA ABLOY Accessories and Door Controls Group, Inc., an ASSA ABLOY Group company. All rights reserved.
 Reproduction in whole or in part without the express written permission of ASSA ABLOY Accessories and Door Controls Group, Inc. is prohibited.

ASSA ABLOY
 Opening Solutions

Experience a safer
 and more open world

Door Sweeps for Hollow Metal Doors

- Profiles in this section available with PemkoPrene™ (PK) or Eco-V™ (V); both are the same shape and size
- Slotted holes for easy adjustment
- Rain drip model is ideal for deflecting rain away from the bottom of the door

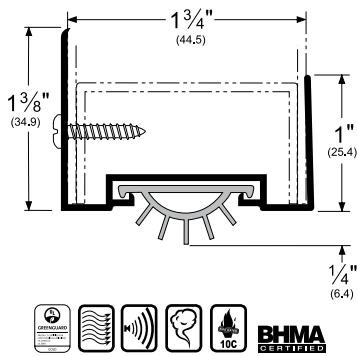
222_V

AVAILABLE FINISHES: **A, BSP, D**
 REPLACEMENT INSERT: **EV9 (BL, GR)**
 ANSI: **R3D414**

222_PK

AVAILABLE FINISHES: **A, BSP, D**
 REPLACEMENT INSERT: **PK9 (BL, GR)**
 ANSI: **R3G414**

- For hollow metal doors with inverted bottom channel
- Supplied Net Length (as ordered)



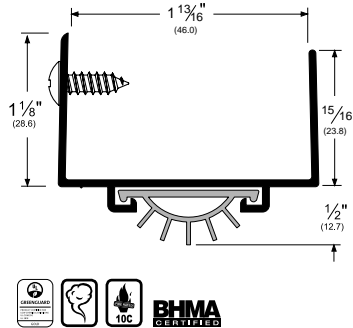
225_V

AVAILABLE FINISHES: **A, BSP, D**
 REPLACEMENT INSERT: **EV9 (BL, GR)**
 ANSI: **R3D414**

225_PK

AVAILABLE FINISHES: **A, BSP, D**
 REPLACEMENT INSERT: **PK9 (BL, GR)**
 ANSI: **R3G414**

- Supplied with 1/4" undercut from length ordered. Specify "NET LENGTH" to receive length as ordered.



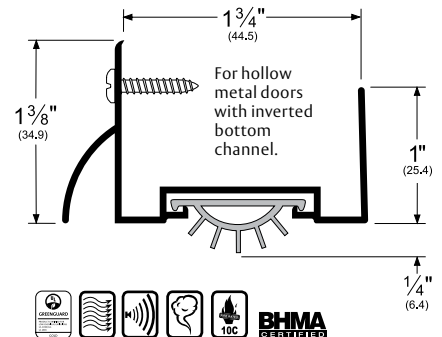
2221_V

AVAILABLE FINISHES: **A, BSP, D, G**
 REPLACEMENT INSERT: **EV9 (BL, GR)**
 ANSI: **R3D514**

2221_PK

AVAILABLE FINISHES: **A, BSP, D, G**
 REPLACEMENT INSERT: **EV9 (BL, GR)**
 ANSI: **R3G514**

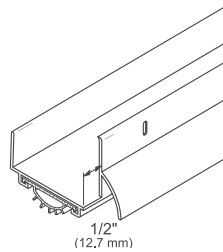
- Supplied Net Length (as ordered)



Fabrication Options for Door Shoes

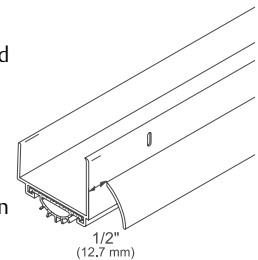
1/2" Full Notch

- Fabrication includes: removal of rain drip and front flange of door shoe to prevent interference with door stop and weatherstrip
- Ordering: order width of door leaf, and designate by adding "M" following the product number
 (Example: a 216AV with a 1/2" full notch fabrication, for a 36" door leaf = 216AVM36)



1/2" Half Notch

- Fabrication includes: removal of rain drip to prevent interference with door stop and weatherstrip
- Ordering: order width of door leaf and designate by adding "N" following the product number
- Special: Other half notches available are 9/16", 5/8", and 3/4" widths, please specify when ordering
 (Example: a 216AV with a 1/2" half notch fabrication, for a 36" door leaf = 216AVN36)



NOTE: Products shown in this section may not be drawn to scale.

AVAILABLE FINISHES FOR PRODUCTS SHOWN ON THIS PAGE (see General Information section for finish chart)
A (Mill Finish Aluminum) **BDC** (Bright Dip Clear Anodized) **BDG** (Bright Dip Gold Anodized)
BSP (Black Suede Powder Coated Aluminum) **D** (Dark Bronze Anodized) **G** (Gold Anodized)
PW (Painted White) **SN** (Satin Nickel Anodized)

ASSA ABLOY
 Opening Solutions

Experience a safer
 and more open world

800-824-3018 | www.assaabloydooraccessories.us

Check the web site for the up-to-date catalog

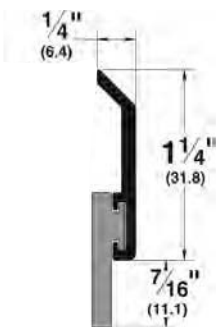
Copyright © 2015-2021, ASSA ABLOY Accessories and Door Controls Group, Inc., an ASSA ABLOY Group company. All rights reserved. Reproduction in whole or in part without the express written permission of ASSA ABLOY Accessories and Door Controls Group, Inc. is prohibited.

Door Bottom Sweeps

315_N

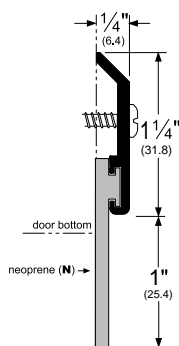
AVAILABLE FINISHES: **B, BSP, C, D, G, PW, SN**
 REPLACEMENT INSERT: **E315 (BL)**
 ANSI: **R3B434, R3B435**

- Currently being redesigned as a running change. Anodized finishes may be supplied in old style for a short time. Contact Customer Service with questions.



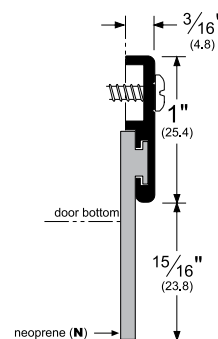
3151_N

AVAILABLE FINISHES: **BSP, C, D, G**
 REPLACEMENT INSERT: **N9 (BL)**
 ANSI: **R3B434**



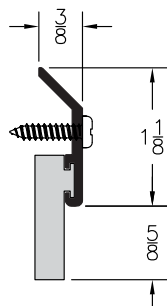
321_N

AVAILABLE FINISHES: **BSP, C, D, G**
 REPLACEMENT INSERT: **N8 (BL)**
 ANSI: **R3B434, R3B435**



368_N

AVAILABLE FINISHES: **BSP, C, D**
 REPLACEMENT INSERT: **N10 (BL)**
 ANSI: **R3B434, R3B435**



NOTE: Products shown in this section may not be drawn to scale.

AVAILABLE FINISHES FOR PRODUCTS SHOWN ON THIS PAGE (see General Information section for finish chart)
B (Mill Finish Extruded Bronze [Brass]) **BDG** (Bright Dip Gold Anodized) **BSP** (Black Suede Powder Coated Aluminum)
C (Clear Anodized) **D** (Dark Bronze Anodized) **G** (Gold Anodized) **PW** (Painted White) **SN** (Satin Nickel Anodized)

800-824-3018 | www.assaabloydooraccessories.us
 Check the web site for the up-to-date catalog

Copyright © 2015-2021, ASSA ABLOY Accessories and Door Controls Group, Inc., an ASSA ABLOY Group company. All rights reserved.
 Reproduction in whole or in part without the express written permission of ASSA ABLOY Accessories and Door Controls Group, Inc. is prohibited.

ASSA ABLOY
 Opening Solutions

Experience a safer
 and more open world

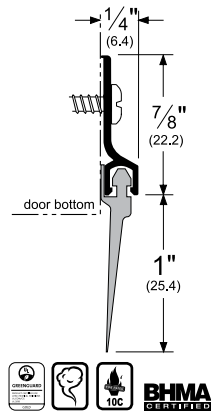
Door Bottom Sweeps (Cont.)

307_V

AVAILABLE FINISHES:
A, BSP, C, D, PW
 REPLACEMENT INSERT:
EV54 (BL, GR, W)
 ANSI: **R3D434**

307_PK

AVAILABLE FINISHES:
A, BSP, C, D, PW
 REPLACEMENT INSERT:
PK54 (BL, GR)
 ANSI: **R3G434**

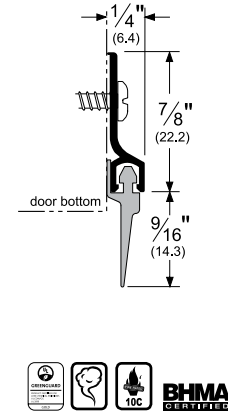


308_V

AVAILABLE FINISHES:
A, BSP, C, D, PW
 REPLACEMENT INSERT:
EV65 (BL, GR)
 ANSI: **R3D434**

308_PK

AVAILABLE FINISHES:
A, BSP, C, D, PW
 REPLACEMENT INSERT:
PK65 (BL, GR)
 ANSI: **R3D434**

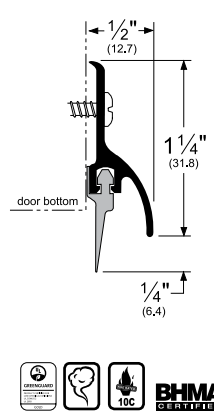


3452_V

AVAILABLE FINISHES:
A, BSP, C, D
 REPLACEMENT INSERT:
EV65 (BL, GR, W)
 ANSI: **R3D534**

3452_PK

AVAILABLE FINISHES:
A, BSP, C, D
 REPLACEMENT INSERT:
PK65 (BL, GR)
 ANSI: **R3G534**

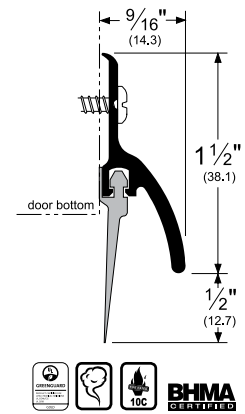


345_V

AVAILABLE FINISHES:
A, BSP, C, D, G
 REPLACEMENT INSERT:
EV54 (BL, GR, W)
 ANSI: **R3D534**

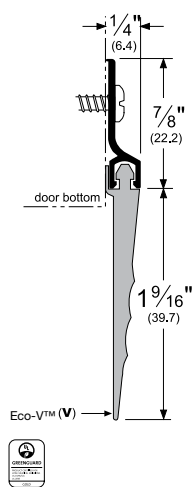
345_PK

AVAILABLE FINISHES:
A, BSP, C, D, G
 REPLACEMENT INSERT:
PK54 (BL, GR)
 ANSI: **R3G534**



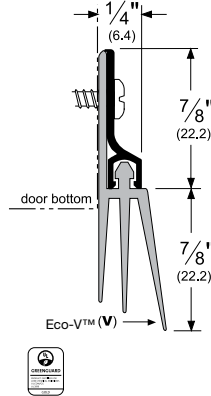
56_V

AVAILABLE FINISHES:
A, BSP, D
 REPLACEMENT INSERT:
EV56 (BL, GR)



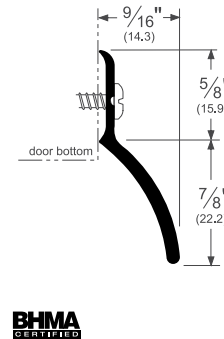
57_V

AVAILABLE FINISHES:
A, BSP, D
 REPLACEMENT INSERT:
EV57 (BL)



345_

AVAILABLE FINISHES:
A, B, BSP, C, D, G
 ANSI: **R3Y936**



NOTE: Products shown in this section may not be drawn to scale.
 AVAILABLE FINISHES FOR PRODUCTS SHOWN ON THIS PAGE (see General Information section for finish chart)
A (Mill Finish Aluminum) **B** (Mill Finish Extruded Bronze [Brass]) **BDG** (Bright Dip Gold Anodized)
BSP (Black Suede Powder Coated Aluminum) **C** (Clear Anodized) **D** (Dark Bronze Anodized)
G (Gold Anodized) **PW** (Painted White) **SN** (Satin Nickel Anodized)

ASSA ABLOY
 Opening Solutions

Experience a safer
 and more open world

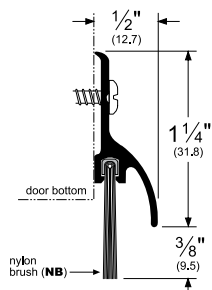
800-824-3018 | www.assaabloydooraccessories.us
 Check the web site for the up-to-date catalog

Copyright © 2015-2021, ASSA ABLOY Accessories and Door Controls Group, Inc., an ASSA ABLOY company. All rights reserved.
 Reproduction in whole or in part without the express written permission of ASSA ABLOY Accessories and Door Controls Group, Inc. is prohibited.

Door Bottom Sweeps (Cont.)

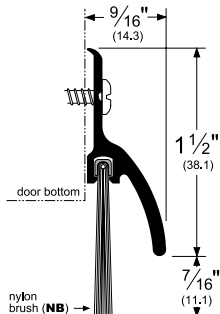
3452_NB

AVAILABLE FINISHES:
BDG, BSP, C, D, G, PW, SN
 REPLACEMENT INSERT:
P14075 (BL, GR)
 ANSI: R3A534



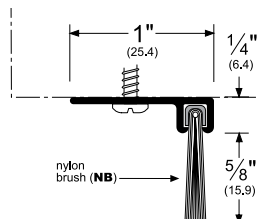
345_NB

AVAILABLE FINISHES:
A, BDG, BSP, D, G, PW
 REPLACEMENT INSERT:
P14100 (BL, GR)
 ANSI: R3A534



90062_NB

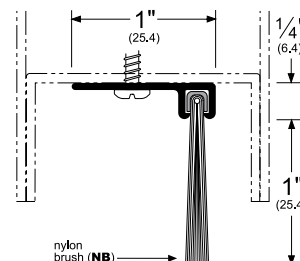
AVAILABLE FINISHES:
BSP, C, D, G
 REPLACEMENT INSERT:
P516062 (BL, GR, W)
 ANSI: R3A414



90100_NB

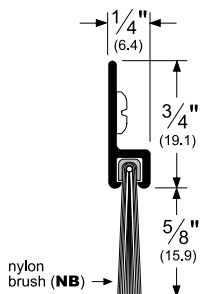
AVAILABLE FINISHES:
BSP, C, D, G
 REPLACEMENT INSERT:
P516100 (BL, GR, W)
 ANSI: R3A414

For hollow metal doors
 with inverted channel



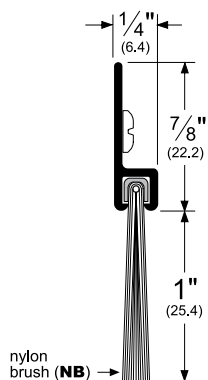
18061_NB

AVAILABLE FINISHES:
BSP, C, D, G, SN
 REPLACEMENT INSERT:
P51062 (BL, GR, W)
 ANSI: R3A434



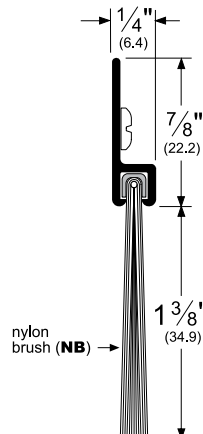
18100_NB

AVAILABLE FINISHES:
BSP, C, D, G, PW
 REPLACEMENT INSERT:
P38100 (BL, GR)
 ANSI: R3A434



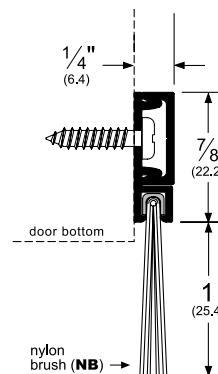
18137_NB

AVAILABLE FINISHES:
BSP, C, D, G, PW
 REPLACEMENT INSERT:
P38137 (BL, GR)
 ANSI: R3A434



293100_NB

AVAILABLE FINISHES:
BSP, C, D, G
 REPLACEMENT INSERT:
P516100 (BL, GR)



NOTE: Products shown in this section may not be drawn to scale.

AVAILABLE FINISHES FOR PRODUCTS SHOWN ON THIS PAGE (see General Information section for finish chart)
A (Mill Finish Aluminum) **BDG** (Bright Dip Gold Anodized) **BSP** (Black Suede Powder Coated Aluminum)
C (Clear Anodized) **D** (Dark Bronze Anodized) **G** (Gold Anodized) **PD** (Painted Dark Bronze)
SN (Satin Nickel Anodized)

800-824-3018 | www.assaabloydooraccessories.us

Check the web site for the up-to-date catalog

Copyright © 2015-2021, ASSA ABLOY Accessories and Door Controls Group, Inc., an ASSA ABLOY Group company. All rights reserved.
 Reproduction in whole or in part without the express written permission of ASSA ABLOY Accessories and Door Controls Group, Inc. is prohibited.

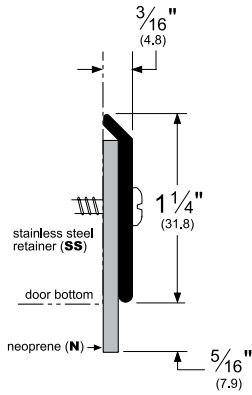
ASSA ABLOY
 Opening Solutions

Experience a safer
 and more open world

Stainless Steel Door Bottom Sweeps

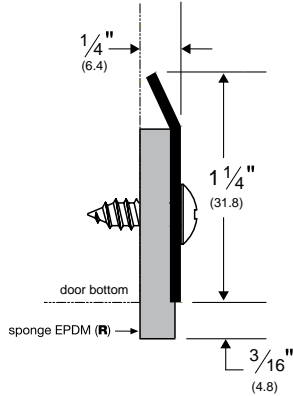
315SSN

AVAILABLE FINISH: **SS (#4 Finish)**
 REPLACEMENT INSERT: **N8 (BL)**
 ANSI: **R5B434, R5B435**



315SSR

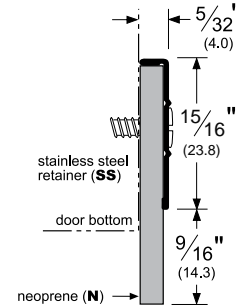
AVAILABLE FINISH: **SS (#4 Finish)**
 REPLACEMENT INSERT: **ER2 (BL)**
 ANSI: **R5G164, R5G165**



321SSN

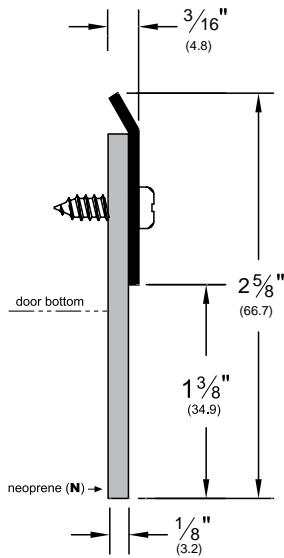
AVAILABLE FINISH: **SS**
 REPLACEMENT INSERT: **N8 (BL)**
 ANSI: **R5B165**

- 430 Bright Annealed SS



3151SSN

AVAILABLE FINISH: **SS (#4 Finish)**
 REPLACEMENT INSERT: **N9 (BL)**
 ANSI: **R5B434, R5B435**



NOTE: Products shown in this section may not be drawn to scale.

AVAILABLE FINISHES FOR PRODUCTS SHOWN ON THIS PAGE (see General Information section for finish chart)
SS (See Individual Part)

ASSA ABLOY
 Opening Solutions

Experience a safer
 and more open world

800-824-3018 | www.assaabloydooraccessories.us
 Check the web site for the up-to-date catalog

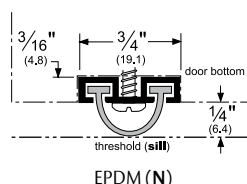
Copyright © 2015-2021, ASSA ABLOY Accessories and Door Controls Group, Inc., an ASSA ABLOY Group company. All rights reserved.
 Reproduction in whole or in part without the express written permission of ASSA ABLOY Accessories and Door Controls Group, Inc. is prohibited.

Specialty Door Bottoms

- May be used in many different applications. Some of these shapes may be used as meeting stile gasketing; see page 174 for examples
- Supplied Net Length (as ordered)

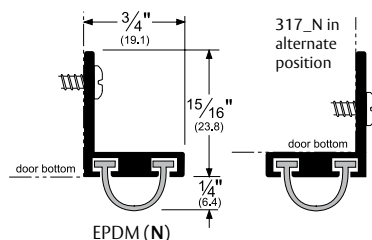
313_N

AVAILABLE FINISHES: **A, D, G**
 REPLACEMENT INSERT:
E1 (BL, GR)
 ANSI: **R3G416**



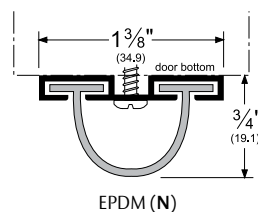
317_N

AVAILABLE FINISHES: **A, BSP, D, G**
 REPLACEMENT INSERT: **E1 (BL, GR)**
 ANSI: **R3G416**



314_N

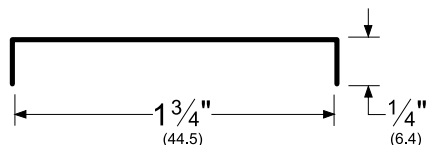
AVAILABLE FINISHES: **C, D, G**
 REPLACEMENT INSERT: **E3 (BL, GR)**
 ANSI: **R3G416**



Door Top Weatherstrip

_344

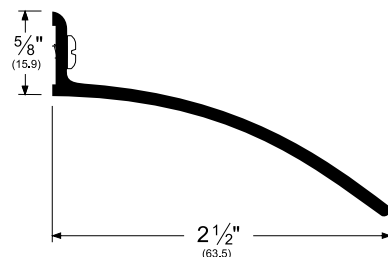
AVAILABLE FINISHES: **PA**
 AVAILABLE LENGTHS: **36\", 48\"**



346_

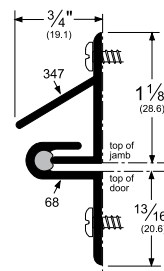
AVAILABLE FINISHES: **10BE, BSP, C, D, G, PW, WSP**

- Overhead rain drip with slotted holes
- Should be ordered a minimum of 4\" longer than the door width



347_68_R

AVAILABLE FINISHES: **A, D, G**



Heavy Duty Door Bumper

- Heavy duty door bumper extruded from black EPDM (E)
- Order 196_ separately; furnished undrilled unless requested otherwise

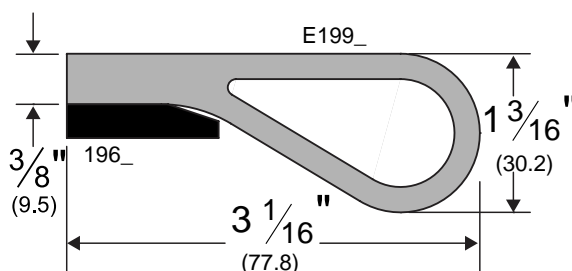
E199_

AVAILABLE COLOR: **BL**



196_

AVAILABLE COLOR: **A**



NOTE: Products shown in this section may not be drawn to scale.

AVAILABLE FINISHES FOR PRODUCTS SHOWN ON THIS PAGE (see General Information section for finish chart)

10BE (Satin Bronze Powder Coated Aluminum) **A** (Mill Finish Aluminum) **BSP** (Black Suede Powder Coated Aluminum)
C (Clear Anodized) **D** (Dark Bronze Anodized) **G** (Gold Anodized) **PA** (Painted Aluminum) **PW** (Painted White)
WSP (White Suede Powder Coated Aluminum)

Non-Metal Finish: **BL** (Black)

800-824-3018 | www.assaabloydooraccessories.us

Check the web site for the up-to-date catalog

Copyright © 2015-2021, ASSA ABLOY Accessories and Door Controls Group, Inc., an ASSA ABLOY Group company. All rights reserved.
 Reproduction in whole or in part without the express written permission of ASSA ABLOY Accessories and Door Controls Group, Inc. is prohibited.

ASSA ABLOY
 Opening Solutions

Experience a safer
 and more open world

ASSA ABLOY
Opening Solutions

Experience a safer
and more open world

800-824-3018 | www.assaabloydooraccessories.us
Check the web site for the up-to-date catalog

Copyright © 2015-2021, ASSA ABLOY Accessories and Door Controls Group, Inc., an ASSA ABLOY Group company. All rights reserved.
Reproduction in whole or in part without the express written permission of ASSA ABLOY Accessories and Door Controls Group, Inc. is prohibited.

Pemko Astragals & Meeting Stiles



CONTENTS:

Astragal and Meeting Stile Gasketing - Split Astragals.....	168
Split Astragals with Snap Covers – Concealed Fasteners.....	170
Meeting Stile Gasketing.....	170
Adhesive Astragal/Meeting Stile Seals.....	172
Adjustable Astragals.....	172
“T” and Overlapping Astragals.....	173
Adhesive-Backed Mullion Gasketing.....	174
Adhesive Astragal Seal.....	174
Offset Security Bar and Security Astragal.....	174
Locking Astragals.....	175
Locking Wood Astragals.....	177
Outswing Locking Astragals.....	178

INDEX:

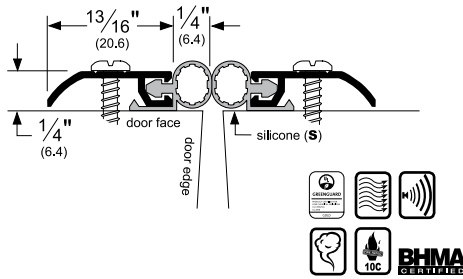
PRODUCT	PAGE	PRODUCT	PAGE	PRODUCT	PAGE
297.....	168	369.....	171	29324.....	170
300.....	171	371.....	171	29326.....	170
303.....	168	372.....	171	34831.....	177
305.....	168	375.....	173	OAK349.....	175
305SS.....	168	378.....	174	FIR349.....	175
310.....	169	3443.....	178	S1125.....	174
311CIN.....	169	3444.....	178	Q108.....	177
313.....	170	3481.....	177	S771.....	172
314.....	170	3483.....	177	S771x6.....	172
316.....	169	3493.....	174	S772.....	172
351.....	172	3494.....	174		
352.....	173	3495.....	176		
354.....	172	3496.....	176		
355.....	173	3572.....	174		
356.....	173	5110.....	174		
357.....	173	18041.....	169		
358.....	170	18061.....	169		
359.....	173	29310.....	170		

Astragal and Meeting Stile Gasketing - Split Astragals

- Astragals and meeting stiles with a fire label may be mounted on pairs of doors wherein the gap meets the requirements of **NFPA 80, 6.3.1.7.1** "The clearance between... the meeting edges of doors swinging in pairs on the pull side shall be $\frac{1}{8}" \pm \frac{1}{16}"$ (3.18mm \pm 1.59mm) for steel doors and shall not exceed $\frac{1}{8}"$ (3.18mm) for wood doors"
- Order split astragals at two (2) pieces by door height per set of double doors. When ordering add "/2" to the end of the part number to specify 2 pieces (i.e. order quantity 1 each 303AS84/2 to get two lengths at 84 inches)
- Punched with slotted holes for adjustment
- Clear anodized brush products are supplied with gray brush. Painted white brush products are supplied with white brush when available, otherwise black brush is supplied. All other finishes supplied with black brush. Black brush is available for clear anodized and painted white brush products upon request.

297_S

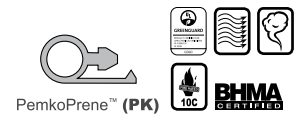
AVAILABLE FINISHES:
10BE, A, BDG, BSP, D, G, PW, SN, WSP
 REPLACEMENT INSERT:
S3 (BL, W)
 ANSI: R3E734, R3E735



Alternate Inserts For 297

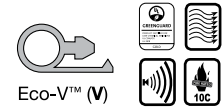
297_PK

AVAILABLE FINISHES:
10BE, A, BDG, BSP, D, G, PW, SN, WSP
 REPLACEMENT INSERT:
PK47 (BL, GR)
 ANSI: R3G734, R3G735



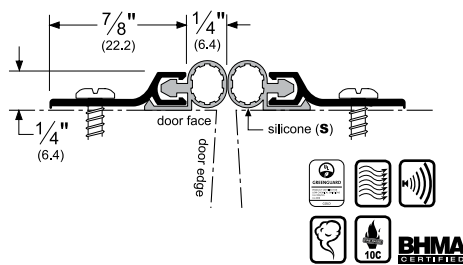
297_V

AVAILABLE FINISHES:
10BE, A, BDG, BSP, D, G, PW, SN, WSP
 REPLACEMENT INSERT:
EV47 (BL, GR, W)



303_S

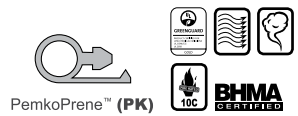
AVAILABLE FINISHES:
10BE, A, BDG, BSP, C, D, G, PW, SN, WSP
 REPLACEMENT INSERT:
S3 (BL, W)
 ANSI: R3E734, R3E735



Alternate Inserts For 303

303_PK

AVAILABLE FINISHES:
10BE, A, BDG, BSP, C, D, G, PW, SN, WSP
 REPLACEMENT INSERT:
PK47 (BL, GR)
 ANSI: R3G734



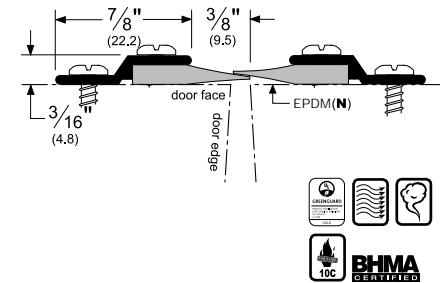
303_V

AVAILABLE FINISHES:
10BE, A, BDG, BSP, C, D, G, PW, SN, WSP
 REPLACEMENT INSERT:
EV47 (BL, GR, W)



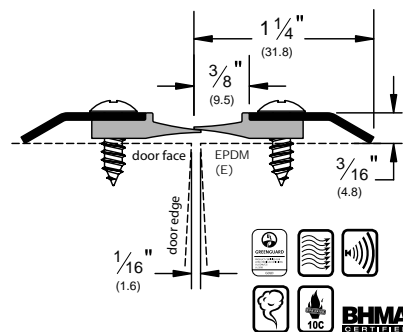
305_N

AVAILABLE FINISHES:
10BE, B, BSP, C, D, G, WSP
 REPLACEMENT INSERT:
E2 (BL, GR)
 ANSI: R3G734, R3G735



305SSE

AVAILABLE FINISHES:
SS (#4 Finish)
 REPLACEMENT INSERT:
E2 (BL, GR)
 ANSI: R5G734, R5G735



AVAILABLE FINISHES FOR PRODUCTS SHOWN ON THIS PAGE (see General Information section for finish chart)
10BE (Satin Bronze Powder Coated Aluminum) **A** (Mill Finish Aluminum) **BDG** (Bright Dip Gold Anodized)
BSP (Black Suede Powder Coated Aluminum) **C** (Clear Anodized) **D** (Dark Bronze Anodized) **G** (Gold Anodized)
PW (Painted White) **SN** (Satin Nickel Anodized) **WSP** (White Suede Powder Coated Aluminum)
 Special finishes available upon request

ASSA ABLOY
 Opening Solutions

Experience a safer
 and more open world

800-824-3018 | www.assaabloydooraccessories.us

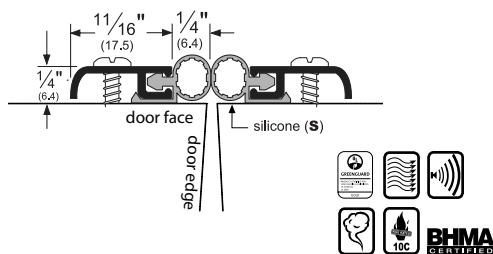
Check the web site for the up-to-date catalog

Copyright © 2015-2021, ASSA ABLOY Accessories and Door Controls Group, Inc., an ASSA ABLOY Group company. All rights reserved. Reproduction in whole or in part without the express written permission of ASSA ABLOY Accessories and Door Controls Group, Inc. is prohibited.

Astragal and Meeting Stile Gasketing - Split Astragals (Cont.)

316_S

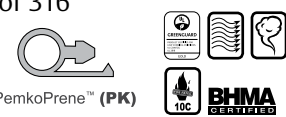
AVAILABLE FINISHES:
10BE, A, BDG, BSP, D, G, WSP
 REPLACEMENT INSERT:
S3 (BL, W)
 ANSI: **R3E734, R3E735**



Alternate Inserts For 316

316_PK

AVAILABLE FINISHES:
A, BDG, D, G
 REPLACEMENT INSERT:
PK47 (BL, GR)
 ANSI: **R3G734, R3G735**



316_V

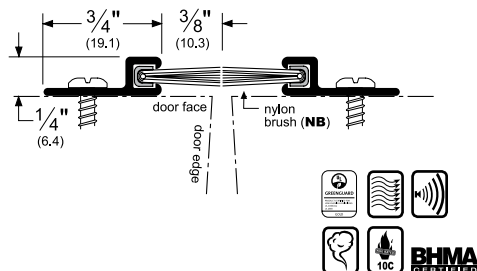
AVAILABLE FINISHES:
A, BDG, D, G
 REPLACEMENT INSERT:
EV47 (BL, GR, W)



18041_NB

AVAILABLE FINISHES:
10BE, C, BSP, D, G, SN, WSP
 REPLACEMENT INSERT:
P516041 (BL, GR)
 ANSI: **R3A734**

NOTE: Brush should mesh from 1/32" to 1/16".



Alternate Inserts For 18041

18041_SB

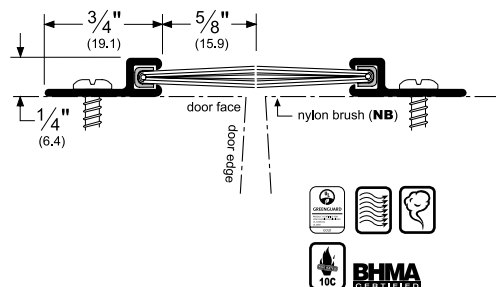
AVAILABLE FINISHES:
C, D, G, SN
 REPLACEMENT INSERT:
P3 (BL, GR)



18061_NB

AVAILABLE FINISHES:
10BE, C, BSP, D, G, SN, WSP
 REPLACEMENT INSERT:
P516062 (BL, GR, W)
 ANSI: **R3A734**

NOTE: Brush should mesh from 1/32" to 1/16".



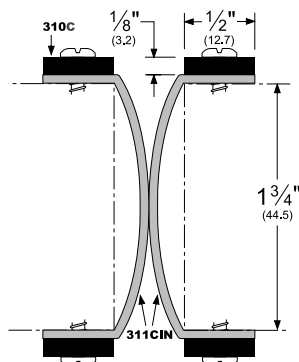
310_*

311CIN

AVAILABLE FINISHES:
C

- Material required for one pair of doors:
 - 4 ea. 310 bars
 - 2 ea. 311CIN cloth inserted rubber pieces
 - Specify 311CIN3.75 for 1 3/4" thick doors
 - Specify 311CIN4.00 for 2" thick doors
 - Specify 311CIN4.25 for 2 1/4" thick doors

* Sold individually



AVAILABLE FINISHES FOR PRODUCTS SHOWN ON THIS PAGE (see General Information section for finish chart)
10BE (Satin Bronze Powder Coated Aluminum) **A** (Mill Finish Aluminum) **BDG** (Bright Dip Gold Anodized)
BSP (Black Suede Powder Coated Aluminum) **C** (Clear Anodized) **D** (Dark Bronze Anodized) **G** (Gold Anodized)
PW (Painted White) **SN** (Satin Nickel Anodized) **WSP** (White Suede Powder Coated Aluminum)
 Special finishes available upon request

800-824-3018 | www.assaabloydooraccessories.us

Check the web site for the up-to-date catalog

Copyright © 2015-2021, ASSA ABLOY Accessories and Door Controls Group, Inc., an ASSA ABLOY Group company. All rights reserved.
 Reproduction in whole or in part without the express written permission of ASSA ABLOY Accessories and Door Controls Group, Inc. is prohibited.

ASSA ABLOY
 Opening Solutions

Experience a safer
 and more open world

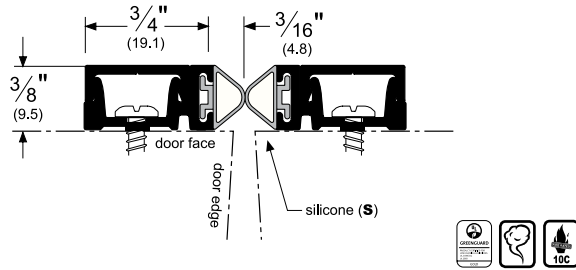
Split Astragals with Snap Covers – Concealed Fasteners

- Snap cover helps prevent vandalism and adds an attractive finished look by concealing the fasteners

- Replacement snap cover part number is _29316. Please specify finish and length when ordering.

29310_S

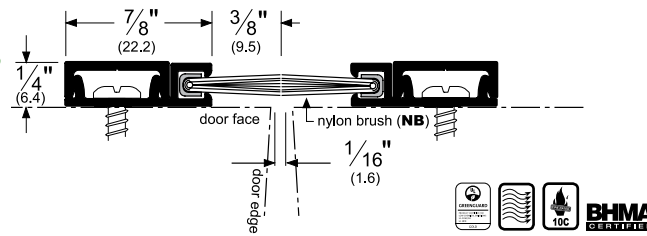
AVAILABLE FINISHES:
10BE, C, BSP, D, G, WSP
 REPLACEMENT INSERT:
S4 (BL, GR)
 ANSI: **R3E734**



29324_NB

AVAILABLE FINISHES:
10BE, C, BSP, D, G, WSP
 REPLACEMENT INSERT:
P516041 (BL, GR)
 ANSI: **R3A434**

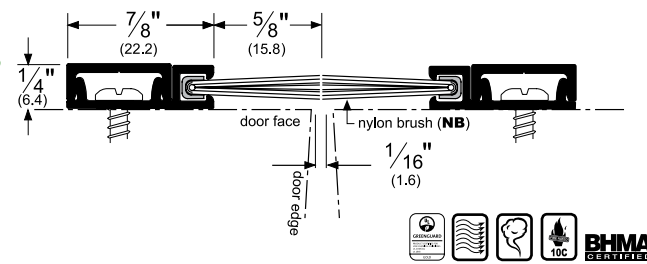
NOTE: Brush should mesh from 1/32" to 1/16".



29326_NB

AVAILABLE FINISHES:
10BE, C, BSP, D, G, WSP
 REPLACEMENT INSERT:
P516062 (BL, GR, W)
 ANSI: **R3A164, R3A165**

NOTE: Brush should mesh from 1/32" to 1/16".



Alternate Inserts For 29310

29310_PK

AVAILABLE FINISHES:
C, D, G
 REPLACEMENT INSERT:
PK4 (BL, GR)
 ANSI: **R3G734**



29310_P

AVAILABLE FINISHES:
C, D, G
 REPLACEMENT INSERT:
P2 (BL, GR)



29310_V

AVAILABLE FINISHES:
C, D, G
 REPLACEMENT INSERT:
EV41 (BL, GR, W)



Alternate Inserts For 29324

29324_SB

AVAILABLE FINISHES:
C, D, G
 REPLACEMENT INSERT:
P3 (BL, GR)

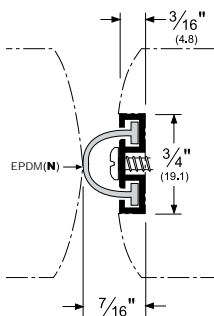


Meeting Stile Gasketing

- These products do not work well on beveled-edge pairs of doors

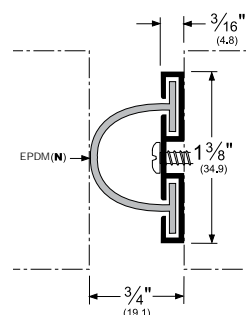
313_N

AVAILABLE FINISHES:
A, D, G
 REPLACEMENT INSERT:
E1 (BL, GR)
 NOTE: Recommended radius is 1-7/8"



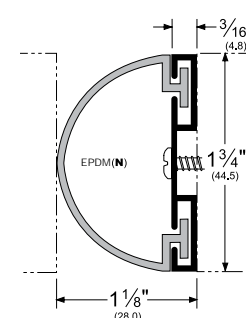
314_N

AVAILABLE FINISHES:
C, D, G
 REPLACEMENT INSERT:
E3 (BL, GR)



358_N

AVAILABLE FINISHES:
C, D, G
 REPLACEMENT INSERT:
E6 (BL, GR)



AVAILABLE FINISHES FOR PRODUCTS SHOWN ON THIS PAGE (see General Information section for finish chart)
10BE (Satin Bronze Powder Coated Aluminum) **A** (Mill Finish Aluminum) **BSP** (Black Suede Powder Coated Aluminum)
C (Clear Anodized) **D** (Dark Bronze Anodized) **G** (Gold Anodized) **WSP** (White Suede Powder Coated Aluminum)
 Special finishes available upon request

ASSA ABLOY
 Opening Solutions

Experience a safer
 and more open world

800-824-3018 | www.assaabloydooraccessories.us
 Check the web site for the up-to-date catalog

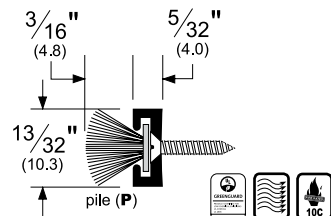
Copyright © 2015-2021, ASSA ABLOY Accessories and Door Controls Group, Inc., an ASSA ABLOY Group company. All rights reserved.
 Reproduction in whole or in part without the express written permission of ASSA ABLOY Accessories and Door Controls Group, Inc. is prohibited.

Meeting Stile Gasketing (Cont.)

- Astragals/Meeting Stiles with a fire label may be mounted on pairs of doors wherein the gap meets the requirements of NFPA 80, 2-5.4
- These products (except _71) do not work well on beveled-edge pairs of doors

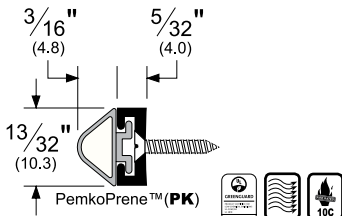
369_P

AVAILABLE FINISHES: **A, D, G**
REPLACEMENT INSERT:
P2 (BL, GR)



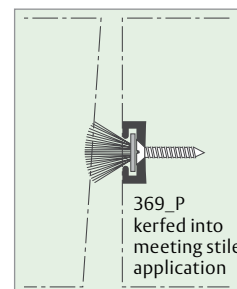
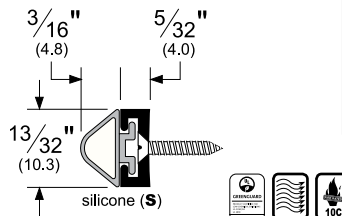
369_PK

AVAILABLE FINISHES: **A, D, G**
REPLACEMENT INSERT:
PK4 (BL, GR)



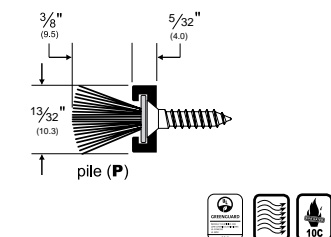
369_S

AVAILABLE FINISHES: **A, D, G**
REPLACEMENT INSERT:
S4 (BL, GR)



369_P4

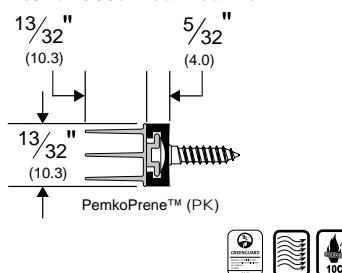
AVAILABLE FINISHES: **A, D, G**
REPLACEMENT INSERT:
P4 (BL)



369_PK773

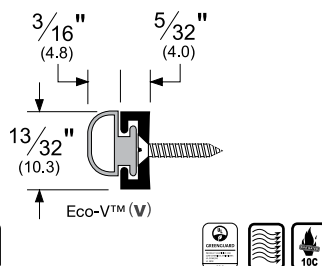
AVAILABLE FINISHES: **A, D, G**
REPLACEMENT INSERT:
PK773 (BL)

- Gasket only available in 36" or 49" lengths and will be spliced in a continuous metal retainer



369_V

AVAILABLE FINISHES: **A, D, G**
REPLACEMENT INSERT:
EV41 (BL, GR, W)



A371P (1/4" pile)

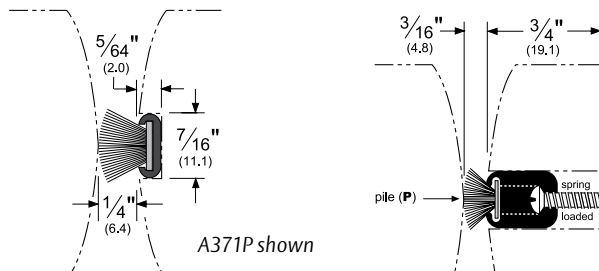
A372P (3/8" pile)

- Available in 84" and 96" lengths
- Available with gray pile only
- Fasten with nails or staples through pile and backing, or use adhesive. Fasteners not supplied
- Pile and backing do not separate

300_P

AVAILABLE FINISHES:
B, C, D, G
REPLACEMENT INSERT:
P2 (BL, GR)

- For a 3/8" gap (or smaller) between doors
- Spring-loaded from back side



AVAILABLE FINISHES FOR PRODUCTS SHOWN ON THIS PAGE (see General Information section for finish chart)
A (Mill Finish Aluminum) **B** (Mill Finish Extruded Bronze [Brass]) **B** (Hemmed Spring Bronze) **C** (Clear Anodized)
D (Dark Bronze Anodized) **G** (Gold Anodized) **SS** (Stainless Steel) Special finishes available upon request

800-824-3018 | www.assaabloydooraccessories.us

Check the web site for the up-to-date catalog

Copyright © 2015-2021, ASSA ABLOY Accessories and Door Controls Group, Inc., an ASSA ABLOY Group company. All rights reserved.
Reproduction in whole or in part without the express written permission of ASSA ABLOY Accessories and Door Controls Group, Inc. is prohibited.

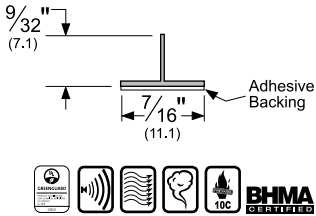
ASSA ABLOY
Opening Solutions

Experience a safer
and more open world

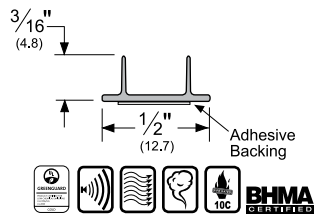
Adhesive Astragal/Meeting Stile Seals

- The **S771** and **S772** astragal/meeting stile seals can be installed on virtually any pair of doors where sound attenuation is required. These products seal the opening to prevent heat loss, retard the passage of smoke, and act as a weatherization product
- Excellent resistance to compression set, particularly at elevated temperatures and for extended periods of time
- Stays flexible between -58°F and 450°F with very high resistance to flex fatigue
- Maintains a low closing force
- Easy installation requires no mechanical fasteners; can be cut to size in the field

S771_
 AVAILABLE FINISHES: **BL, C, D, GR, W**
 AVAILABLE LENGTHS: **7', 8', 9', 10'**
 ANSI: **ROE754, ROE755**

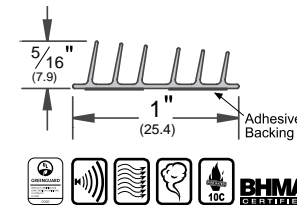


S772_
 AVAILABLE FINISHES: **BL, C, D, GR, W**
 AVAILABLE LENGTHS: **7', 8', 9', 10'**
 ANSI: **ROE754, ROE755**



S771x6_
 AVAILABLE FINISHES: **BL, C**
 AVAILABLE LENGTHS: **7', 8', 9', 10'**
 ANSI: **ROE154, ROE155, ROE754, ROE755**

- Designed for hollow metal and wood meeting stile applications
- Seal begins compressing at 5/16"; compresses to seal up to a 1/16" gap



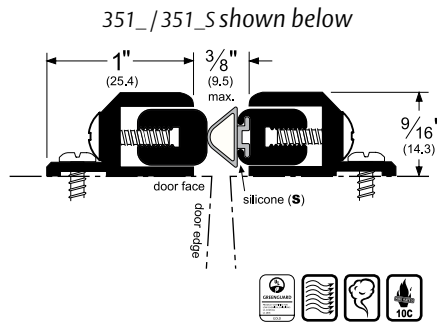
Notes For All Adhesive Gasketing:
 Storage and shelf life: All adhesive gaskets have a limited shelf life. This product must be installed within 6 months of purchase and must be stored between 50°F and 100°F. For further notes/details, please see Adhesive Gasketing section.

Adjustable Astragals

- Available in 84", 96" and 120" lengths
- When used as split astragals on double doors, two lengths must be ordered: one for each door
- If you require split astragals in a metal to gasket configuration, you must order using part number 351_/_351_S where "S" can be any gasket designation shown in this section and "_" is your desired finish

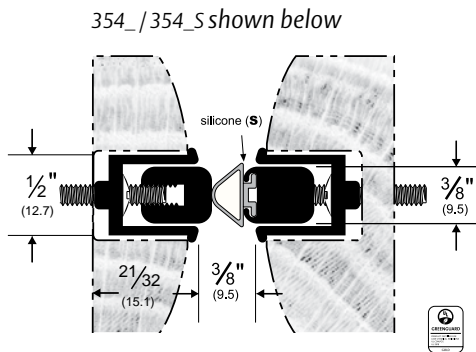
351_S
 AVAILABLE FINISHES:
10BE, B, BSP, C, D, G, WSP
 REPLACEMENT INSERT:
S4 (BL, GR)

- Surface applied
- For use with square-edge or bevel-edge doors
- 351_S (et al) is one single piece; order 351_/_351_S to receive both pieces as in drawing



354_S
 AVAILABLE FINISHES:
10BE, B, BSP, C, D, G, WSP
 REPLACEMENT INSERT:
S4 (BL, GR)

- Fully mortised
- Designed for use with bullnose doors
- 354_S (et al) is one single piece; order 354_/_354_S to receive both pieces as in drawing

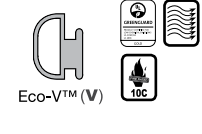


Alternate Inserts For 351

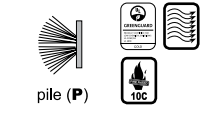
351_PK
 AVAILABLE FINISHES:
10BE, B, BSP, C, D, G, WSP
 REPLACEMENT INSERT:
PK4 (BL, GR)



351_V
 AVAILABLE FINISHES:
10BE, B, BSP, C, D, G, WSP
 REPLACEMENT INSERT:
EV41 (BL, GR, W)



351_P
 AVAILABLE FINISHES:
10BE, B, BSP, C, D, G, WSP
 REPLACEMENT INSERT:
P2 (BL, GR)

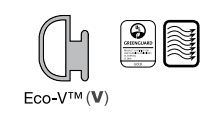


Alternate Inserts For 354

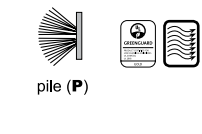
354_PK
 AVAILABLE FINISHES:
10BE, B, BSP, C, D, G, WSP
 REPLACEMENT INSERT:
PK4 (BL, GR)



354_V
 AVAILABLE FINISHES:
10BE, B, BSP, C, D, G, WSP
 REPLACEMENT INSERT:
EV41 (BL, GR, W)



354_P
 AVAILABLE FINISHES:
10BE, B, BSP, C, D, G, WSP
 REPLACEMENT INSERT:
P2 (BL, GR)



AVAILABLE FINISHES FOR PRODUCTS SHOWN ON THIS PAGE (see General Information section for finish chart)
10BE (Satin Bronze Powder Coated Aluminum) **B** (Mill Finish Extruded Bronze [Brass]) **BSP** (Black Suede Powder Coated Aluminum) **C** (Clear Anodized) **D** (Dark Bronze Anodized) **G** (Gold Anodized) **WSP** (White Suede Powder Coated Aluminum)
 Special finishes available upon request
 Gasket colors: **BL** (Black) **C** (Clear) **D** (Dark) **GR** (Gray) **W** (White)

800-824-3018 | www.assaabloydooraccessories.us
 Check the web site for the up-to-date catalog

ASSA ABLOY
 Opening Solutions

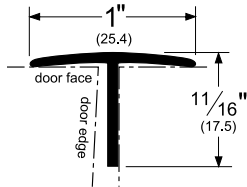
Experience a safer
 and more open world

"T" and Overlapping Astragals

359_

AVAILABLE FINISHES:
10BE, A, BDG, BSP, D, WSP

- Supplied with weatherstrip nails for installation

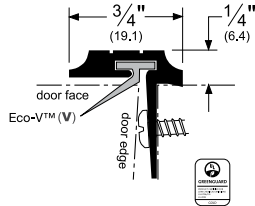


356_V

AVAILABLE FINISHES:
10BE, A, BDG, BSP, D, PW, SN, WSP

REPLACEMENT INSERT:
EV17 (BL, GR, W)

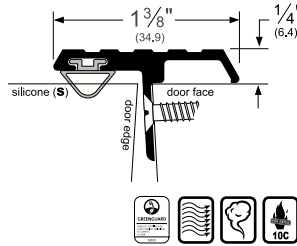
- Countersink drilling with countersunk flathead screws also available upon request at no extra charge



355_S

AVAILABLE FINISHES:
10BE, B, BDG, BSP, C, D, G, PW, SN, WSP

REPLACEMENT INSERT:
S4 (BL, GR)



Alternate Inserts

For 355

355_V

AVAILABLE FINISHES:
10BE, B, BDG, BSP, C, D, G, PW, SN, WSP

REPLACEMENT INSERT:
EV7 (BL, GR, W)



355_P

AVAILABLE FINISHES:
10BE, B, BDG, BSP, C, D, G, PW, SN, WSP

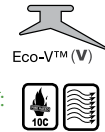
REPLACEMENT INSERT:
P2 (BL, GR)



355_PK

AVAILABLE FINISHES:
B, BDG, BSP, C, D, G, PW, SN

REPLACEMENT INSERT:
PK7 (BL, GR, W)



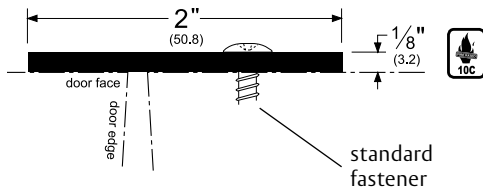
357_

357_ND

AVAILABLE FINISHES:
10BE, BSP, C, D, SP, SPBSP, SPWSP, SS
(#4 Finish & #4 Edge)

11 GAUGE

- "ND" denotes "no drill" (unless specified "ND", astragals are drilled)
- Standard fastener is #10 x 1" Truss Head SMS
- Lead-line option available

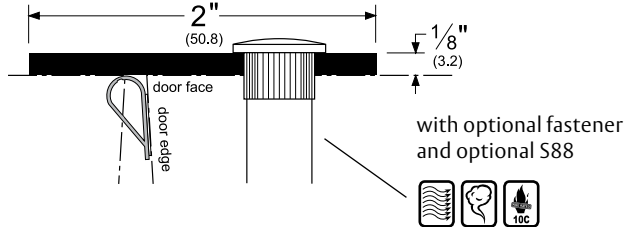


357_ with S88

AVAILABLE FINISHES:
SP, SS (#4 Finish & #4 Edge)

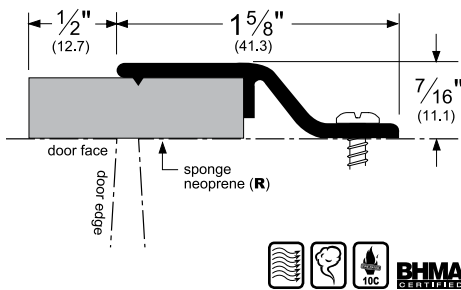
11 GAUGE

- Standard fastener is #10 x 1" Truss Head SMS
- 1/4" - 20 machine screws and thru-bolts must be ordered separately at additional cost
- S88 seal must be ordered separately at an additional cost, if required



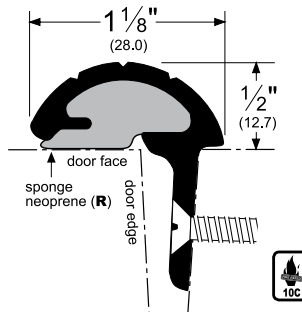
375_R

AVAILABLE FINISHES: 10BE, BSP, C, D, WSP
REPLACEMENT INSERT: ER6 (BL)
ANSI: R3C634, R3C635



352_R

AVAILABLE FINISHES: C, D
REPLACEMENT INSERT: R8 (BL)
For reverse bevel doors



AVAILABLE FINISHES FOR PRODUCTS SHOWN ON THIS PAGE (see General Information section for finish chart)

10BE (Satin Bronze Powder Coated Aluminum) A (Mill Finish Aluminum) B (Mill Finish Extruded Bronze [Brass]) BDG (Bright Dip Gold Anodized) C (Clear Anodized) BSP (Black Suede Powder Coated Aluminum) D (Dark Bronze Anodized) G (Gold Anodized) PW (Painted White) SN (Satin Nickel Anodized) SP (Galvannealed Steel) SPBSP (Black Suede Powder Coated Steel) SPWSP (White Suede Powder Coated Steel) SS (See Individual Part) WSP (White Suede Powder Coated Aluminum) Special finishes available upon request

800-824-3018 | www.assaabloydooraccessories.us

Check the web site for the up-to-date catalog

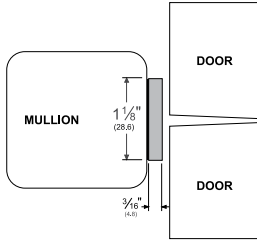
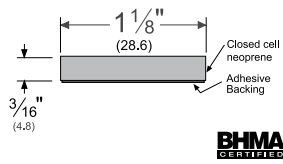
Copyright © 2015-2021, ASSA ABLOY Accessories and Door Controls Group, Inc., an ASSA ABLOY Group company. All rights reserved. Reproduction in whole or in part without the express written permission of ASSA ABLOY Accessories and Door Controls Group, Inc. is prohibited.

ASSA ABLOY
Opening Solutions

Experience a safer
and more open world

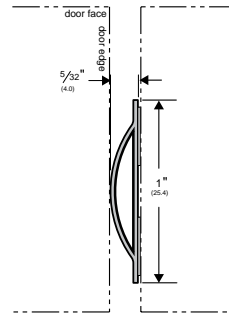
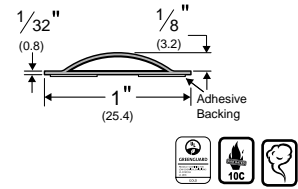
Adhesive-Backed Mullion Gasketing

5110_
 AVAILABLE FINISH: **BL**
 AVAILABLE LENGTHS: **120"**
 ANSI: **ROC004**



Adhesive Astragal Seal

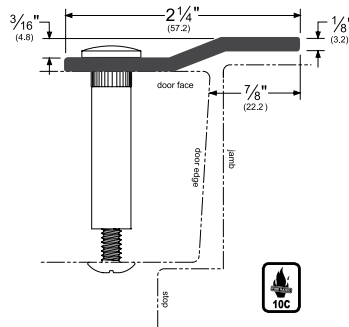
S1125_
 AVAILABLE FINISH: **D**
 AVAILABLE LENGTHS: **7, 8, 10**



Offset Security Bar

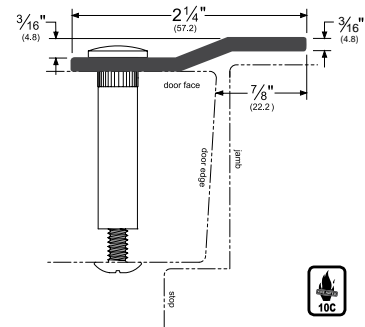
- For use on single outswing wood or metal doors
- Covers gap between the door and jamb for the full door height, preventing prying and manipulation

3572_
3572_ND
 AVAILABLE FINISHES:
SP, SPBSP, SPWSP, SS (#4 Finish & #4 Edge)
 AVAILABLE LENGTHS:
80", 84" and 96"
10 GAUGE



- 3572_ supplied drilled 12" on center with 1/4" holes; "ND" denotes "no drill"

3572PP7
3572PP7ND
 AVAILABLE FINISHES:
PP
 AVAILABLE LENGTHS:
84"
7 GAUGE

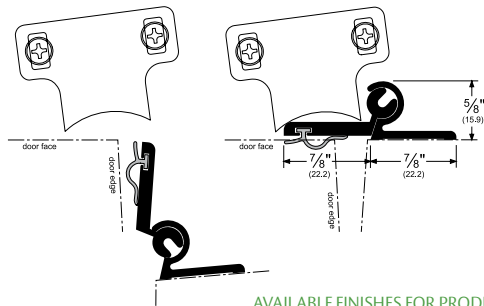


Security Astragal

- Automatic security astragal for outswing pairs of wood and metal doors
- Discourages manipulation of panic-type hardware
- Astragal is held flush against other door by 1/2" thick cam mounted to header (cam and mounting screws included); for replacement cam order K378 kit
- Anodized aluminum with Eco-V™ seal and stainless steel operating spring

- Either door may be active without requiring a coordinator
- Parts can be trimmed 12" maximum from each end
- Should be mounted prior to attaching panic hardware to eliminate the problem of interference
- Must be installed on the inside and top of a pair of outswing doors
- Longest length available is 96"

378_
 AVAILABLE FINISHES:
C, D, G
 REPLACEMENT INSERT:
EV23 (BL)
 AVAILABLE LENGTHS:
86", 96"



AVAILABLE FINISHES FOR PRODUCTS SHOWN ON THIS PAGE (see General Information section for finish chart)
BL (Black) **C** (Clear Anodized) **D** (Dark Bronze Anodized) **G** (Gold Anodized) **PP** (Prime Painted)
SP (Galvanized Steel) **SS** (See Individual Part) **SPBSP** (Black Suede Powder Coated Steel)
SPWSP (White Suede Powder Coated Steel) Special finishes available upon request

ASSA ABLOY
 Opening Solutions

Experience a safer
 and more open world

800-824-3018 | www.assaabloydooraccessories.us

Check the web site for the up-to-date catalog

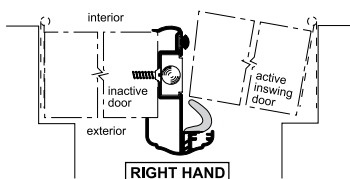
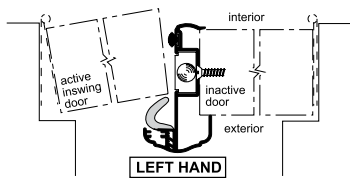
Copyright © 2015-2021, ASSA ABLOY Accessories and Door Controls Group, Inc., an ASSA ABLOY Group company. All rights reserved. Reproduction in whole or in part without the express written permission of ASSA ABLOY Accessories and Door Controls Group, Inc. is prohibited.

Locking Astragals

- Weatherstripped astragals with locking spring bolts or slide bolts for 1 $\frac{3}{4}$ " inswing double doors
- Odd numbered astragals have economical smooth acting slide bolts. Slide bolts are 4" from the top/bottom standard; optional 18" slide bolt is available for easier access. Even numbered astragals have locking spring bolts. Both have full $\frac{3}{8}$ " diameter steel bolts with 1 $\frac{1}{16}$ " throw. In the extended and locked position, locking spring bolts cannot be easily retracted by tampering. In the retracted position, the spring loaded bolts latch firmly, preventing marking of the floor and door header trim when opening or closing the inactive door
- Styles **3493** thru **3498** come with a molded sponge neoprene bottom seal
- All feature four-way adjustable strike plate mounting for latchbolt and deadbolt
- All come with a Eco-V™ snap-in cover strip to conceal the cutout and cover the mounting screws
- Astragal stock lengths are 80", 84", 96" and 120"
- A standard deadbolt punchout is $\frac{3}{4}$ " x 4" at 40" on center Punchout supplied on request only
- For non-stock astragals, specify deadbolt punchout size and center distance from top end
- Specify handing using the handing chart on page 181 or 184

Handing Chart For Astragals (For pages 181 thru 184)

- An astragal is handed by the hand of the active door. The hand of the active door is determined by the position of the hinges on the door, when viewed from the outside (the key side)



Slimline style with slide bolt 3493_S

REPLACEMENT INSERT: **S4 (BL, GR)**

3493_V

REPLACEMENT INSERT: **EV41 (BL, W)**

AVAILABLE FINISHES:

BDG, C, D, G, PW

- **3493** also available with 18" slide bolt (at additional cost) for easier access (specify "L" at the end of the product number for this option i.e. **3493_VL**)

Slimline style with locking spring bolt 3494_S

REPLACEMENT INSERT: **S4 (BL, GR)**

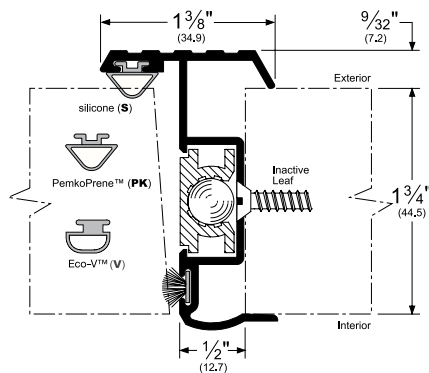
3494_V

REPLACEMENT INSERT: **EV41 (BL, W)**

AVAILABLE FINISHES:

BDG, C, D, G, PW

Slimline Style

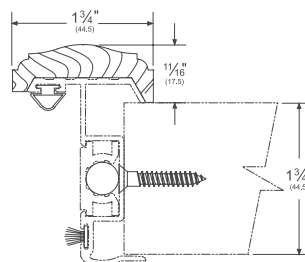


Oak Fascia

OAK349-96

Fir Fascia

FIR349-96



- Available in 96" length only
- The fascia is attached to the face of 3493/3494 locking metal astragals, providing a aesthetic appearance while utilizing the mechanical advantages of the locking metal astragals
- The fascia is supplied unfinished to allow for custom matching

AVAILABLE FINISHES FOR PRODUCTS SHOWN ON THIS PAGE (see General Information section for finish chart)
BDG (Bright Dip Gold Anodized) **C** (Clear Anodized) **D** (Dark Bronze Anodized) **G** (Gold Anodized) **PW** (White)
 Special finishes available upon request

800-824-3018 | www.assaabloydooraccessories.us

Check the web site for the up-to-date catalog

Copyright © 2015-2021, ASSA ABLOY Accessories and Door Controls Group, Inc., an ASSA ABLOY Group company. All rights reserved.
 Reproduction in whole or in part without the express written permission of ASSA ABLOY Accessories and Door Controls Group, Inc. is prohibited.

ASSA ABLOY
 Opening Solutions

Experience a safer
 and more open world

Locking Astragals

Colonial Style

Colonial style with slide bolt

3495_M

REPLACEMENT INSERT: **MAG349 (D, W)**

3495_Q

REPLACEMENT INSERT: **Q102 (D, W)**

AVAILABLE FINISHES: **BDG, C, D, PW**

- 3495 available with 18" aluminum bar; specify "L" at the end of product number (i.e. 3498_Q96L)

Colonial style with locking spring bolt

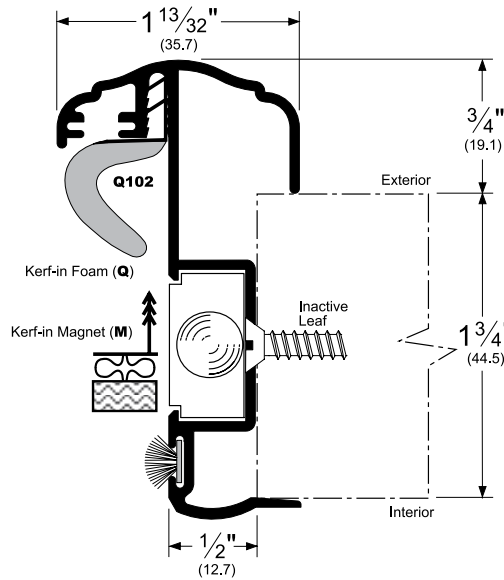
3496_M

REPLACEMENT INSERT: **MAG349 (D, W)**

3496_Q

REPLACEMENT INSERT: **Q102 (D, W)**

AVAILABLE FINISHES: **BDG, C, D, G, PW**



Q108_
 AVAILABLE FINISHES:
BL, W
 Available with Q108
 insert only upon
 request

AVAILABLE FINISHES FOR PRODUCTS SHOWN ON THIS PAGE (see General Information section for finish chart)
BDG (Bright Dip Gold Anodized) **C** (Clear Anodized) **D** (Dark Bronze Anodized) **G** (Gold Anodized)
PW (White) Special finishes available upon request Kerf Colors: **BL** (Black) **W** (White)

ASSA ABLOY
 Opening Solutions

Experience a safer
 and more open world

800-824-3018 | www.assaabloydooraccessories.us
 Check the web site for the up-to-date catalog

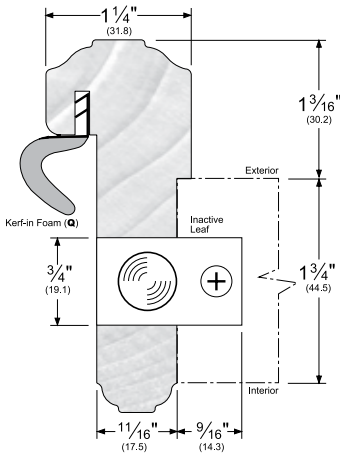
Copyright © 2015-2021, ASSA ABLOY Accessories and Door Controls Group, Inc., an ASSA ABLOY Group company. All rights reserved.
 Reproduction in whole or in part without the express written permission of ASSA ABLOY Accessories and Door Controls Group, Inc. is prohibited.

Locking Wood Astragals

- Fir and Oak are clear, stain grade with no knots on visible surfaces
- **3481's** are supplied with a hardware kit including:
Two (2) bright brass sliding type flush bolt assemblies

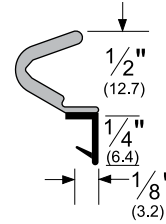
3481_Q

AVAILABLE FINISHES:
FIR, OAK



Q108_

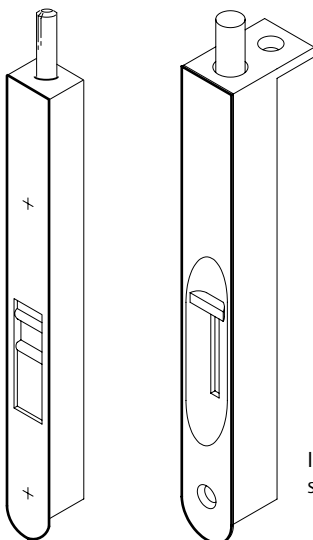
AVAILABLE FINISHES:
BL, W
3481 available with **Q108**
insert only upon request



3483FB

3481FB

- Flush bolt face plates for **3483FB** are 3/4" x 7".
Face plates for **3481FB** are 3/4" x 6"
- A 3/4" x 9/16" x 1/8" notch at the top of the door is required for the flush bolt mounting flange on 3481FB
- Flush bolt assemblies for locking wood astragals can be purchased separately



Illustrations not to scale.

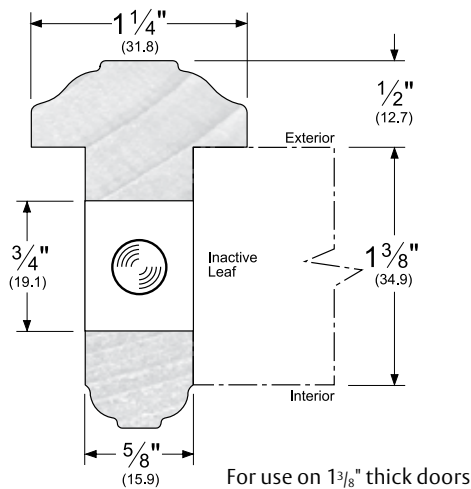
3/8" bolt
3483FB

1/2" bolt
3481FB

3483_ (0 flush bolts)

34831_ (1 flush bolt)

AVAILABLE FINISHES:
FIR, OAK



AVAILABLE FINISHES FOR PRODUCTS SHOWN ON THIS PAGE (see General Information section for finish chart)
FIR (Natural Unfinished Fir) **OAK** (Natural Unfinished Oak)
Kerf Colors: **BL** (Black) **W** (White)

800-824-3018 | www.assaabloydooraccessories.us
Check the web site for the up-to-date catalog

Copyright © 2015-2021, ASSA ABLOY Accessories and Door Controls Group, Inc., an ASSA ABLOY Group company. All rights reserved.
Reproduction in whole or in part without the express written permission of ASSA ABLOY Accessories and Door Controls Group, Inc. is prohibited.

ASSA ABLOY
Opening Solutions

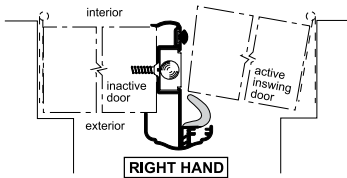
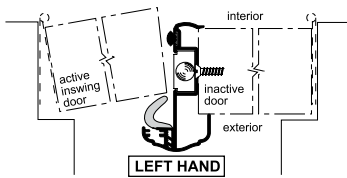
Experience a safer
and more open world

Outswing Locking Astragals

- Weatherstripped astragals with locking spring bolts or slide bolts for 1³/₄" outswing double doors. Slide bolts are 18" from the top/bottom for easier access
- Odd numbered astragals have economical smooth acting slide bolts. Even numbered astragals have locking spring bolts. Both have full 3/8" diameter steel bolts with 1¹/₁₆" throw for improved locking strength. In the extended and locked position, locking spring bolts cannot be easily retracted by tampering. In the retracted position, the spring loaded bolts latch firmly, thus preventing marking of the floor and door header trim when opening or closing the inactive door
- All come with a Eco-V™ snap-in cover strip to conceal the cutout and to cover the mounting screws
- All feature four-way adjustable strike plate mounting for latchbolt and deadbolt
- All styles come with a molded sponge neoprene bottom seal
- Each astragal comes complete with an installation kit and detailed instructions
- Specify punchout locations with your order
- Specify handing using the handing chart below

Handing Chart For Astragals (For pages 181 thru 184)

- An astragal is handed by the hand of the active door. The hand of the active door is determined by the position of the hinges on the door, when viewed from the outside (the key side)



Slimline Style

Slimline style with slide bolt

3443_S

REPLACEMENT INSERT:

S4 (BL, GR)

AVAILABLE FINISHES:

C, D, PW

3443 available with 18" aluminum bar; specify "L" at the end of product number (i.e. 3443_S96L)

Slimline style with locking spring bolt

3444_S

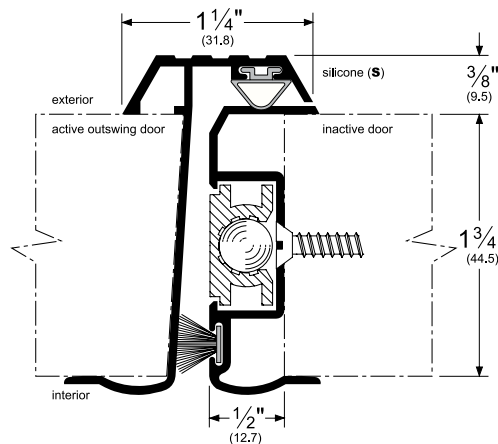
REPLACEMENT INSERT:

S4 (BL, GR)

AVAILABLE FINISHES:

C, D, PW

Slimline Style



AVAILABLE FINISHES FOR PRODUCTS SHOWN ON THIS PAGE (see General Information section for finish chart)
C (Clear Anodized) D (Dark Bronze Anodized) PW (White)

ASSA ABLOY
Opening Solutions

Experience a safer
and more open world

800-824-3018 | www.assaabloydooraccessories.us

Check the web site for the up-to-date catalog

Copyright © 2015-2021, ASSA ABLOY Accessories and Door Controls Group, Inc., an ASSA ABLOY Group company. All rights reserved. Reproduction in whole or in part without the express written permission of ASSA ABLOY Accessories and Door Controls Group, Inc. is prohibited.

Pemko Brush Gasketing



CONTENTS:

180° Aluminum Retainers.....	180
180° Concealed Fastener Retainers	181
90° Aluminum Retainers	182
45° Concealed Fastener Retainers.....	182
35° Aluminum Retainers	184
Mortise Retainers.....	184
Aluminum Retainer with Rain Drip	184
Oak Retainers.....	184
Meeting Stiles	185
Automatic Door Bottoms.....	186

INDEX:

<u>PRODUCT</u>	<u>PAGE</u>	<u>PRODUCT</u>	<u>PAGE</u>	<u>PRODUCT</u>	<u>PAGE</u>
345	184	18062W	184	45041	183
411	186	18100.....	181	45061	183
434	186	18100W	184	45062	183
3452.....	184	18137.....	180	45100.....	183
4131	186	18175.....	180	45137.....	183
4301.....	186	18250.....	180	45175.....	183
5025.....	184	18400	180	45250	183
5041.....	184	18950.....	180	45400	183
5061.....	184	29324.....	181, 185	90041	182
5100.....	184	29326	181, 185	90062	182
18041.....	181, 185	29344	182	90100	182
18050	181	29346	182	90137.....	182
18061	181, 185	35041	184	293100	181
18062	181	35061	184		

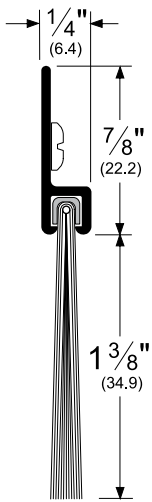
180° Aluminum Retainers

- All brush seals consist of densely compressed nylon filaments encased in a high quality aluminum retainer. These products are ideally suited for hollow metal and wood door applications. Also use Pemko's brush weatherstripping product on overhead, section, sliding, and automatic doors
- All brush seals reduce the infiltration of light, air, wind, rain, and snow; prevent heat loss; and control the penetration of smoke and fumes
- Brush remains flexible down to -40°F and has a melting point above 400°F

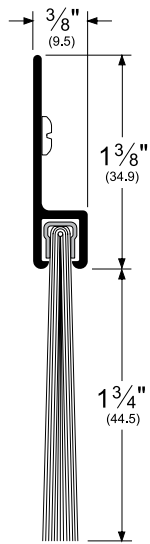
- UV stable, dependable, long-lasting, cost-effective
- Punched with slotted holes for adjustment (except 35° angle types which are drilled with 1/8" hole)
- Naturally repels rodents and spiders; can be sprayed with household pest repellent for additional pest control
- 18950_NB does not come punched or drilled unless specified otherwise

18950_NB
 AVAILABLE FINISHES: **C, D**
 REPLACEMENT INSERT:
P58400 (BL, GR)
 ANSI: **R3A434**

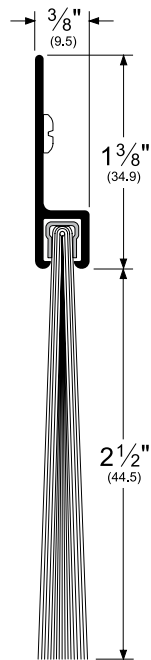
18137_NB
 AVAILABLE FINISHES:
10BE, BSP, C, D, G, PW, WSP
 REPLACEMENT INSERT:
P38137 (BL, GR, W)
 ANSI: **R3A434**



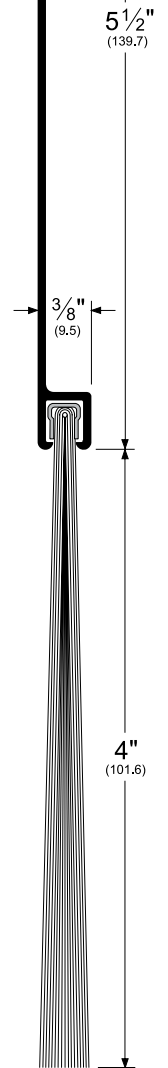
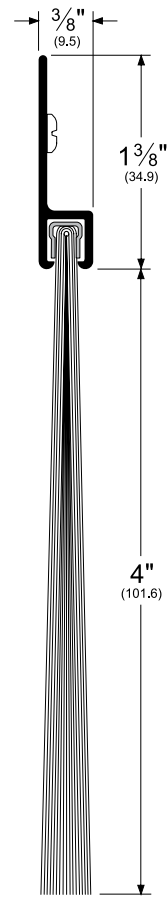
18175_NB
 AVAILABLE FINISHES:
10BE, BSP, C, D, WSP
 REPLACEMENT INSERT:
P58175 (BL, GR)
 ANSI: **R3A434**



18250_NB
 AVAILABLE FINISHES:
10BE, BSP, C, D, WSP
 REPLACEMENT INSERT:
P58250 (BL, GR)
 ANSI: **R3A434**



18400_NB
 AVAILABLE FINISHES:
10BE, BSP, C, D, WSP
 REPLACEMENT INSERT:
P58400 (BL, GR)
 ANSI: **R3A434**



NOTE: Products shown in this section may not be drawn to scale.

AVAILABLE FINISHES FOR PRODUCTS SHOWN ON THIS PAGE (see General Information section for finish chart)
10BE (Satin Bronze Powder Coated Aluminum) **BSP** (Black Suede Powder Coated Aluminum) **C** (Clear Anodized)
D (Dark Bronze Anodized) **G** (Gold Anodized) **PW** (Painted White) **WSP** (White Suede Powder Coated Aluminum)
 Special finishes available upon request

800-824-3018 | www.assaabloydooraccessories.us

Check the web site for the up-to-date catalog

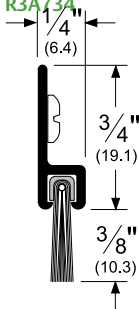
ASSA ABLOY
 Opening Solutions

Experience a safer
 and more open world

180° Aluminum Retainers (Cont.)

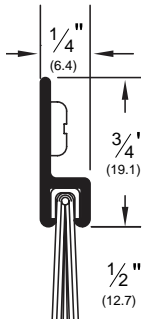
18041_NB

AVAILABLE FINISHES:
10BE, BSP, C, D, G, PW, SN, WSP
 REPLACEMENT INSERT:
P516041 (BL, GR)
 ANSI: **R3A134, R3A164, R3A734**



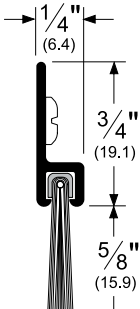
18050_NB

AVAILABLE FINISHES:
10BE, BSP, C, D, G, PW, SN, WSP
 REPLACEMENT INSERT:
P516050 (BL, GR)
 ANSI: **R3A434, R3A734**



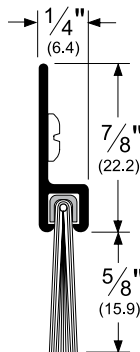
18061_NB

AVAILABLE FINISHES:
10BE, BSP, C, D, G, PW, SN, WSP
 REPLACEMENT INSERT:
P516062 (BL, GR, W)
 ANSI: **R3A434, R3A734**



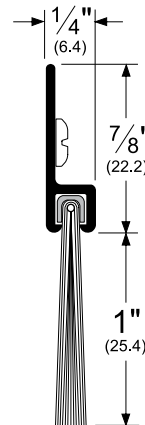
18062_NB

AVAILABLE FINISHES:
10BE, BSP, C, D, G, PW, WSP
 REPLACEMENT INSERT:
P38062 (BL, GR, W)
 ANSI: **R3A434**



18100_NB

AVAILABLE FINISHES:
10BE, BSP, C, D, G, PW, WSP
 REPLACEMENT INSERT:
P38100 (BL, GR)
 ANSI: **R3A434**



Alternate Inserts For 18041

18041_SB

AVAILABLE FINISHES: **C, D, G, SN**
 REPLACEMENT INSERT: **P3 (BL, GR)**

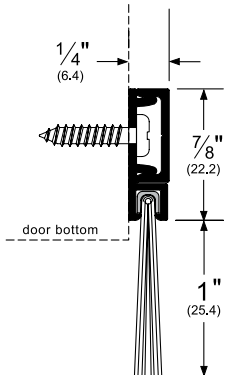


180° Concealed Fastener Retainers

- Aluminum snap cover conceals mounting screws to provide a clean aesthetic appearance
- Replacement snap cover is item _29316; when ordering, identify finish and length
- Cover snaps securely into place to deter vandalism

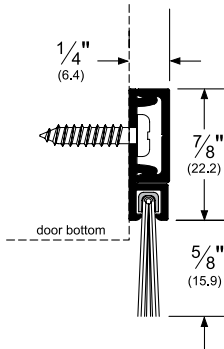
293100_NB

AVAILABLE FINISHES:
10BE, BSP, C, D, WSP
 REPLACEMENT INSERT:
P516100 (BL, GR, W)
 ANSI: **R3A434**



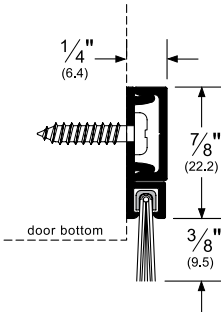
29326_NB

AVAILABLE FINISHES:
10BE, BSP, C, D, G, WSP
 REPLACEMENT INSERT:
P516062 (BL, GR, W)
 ANSI: **R3A434**



29324_NB

AVAILABLE FINISHES:
10BE, BSP, C, D, G, WSP
 REPLACEMENT INSERT:
P516041 (BL, GR)
 ANSI: **R3A434**



Alternate Insert For 29324

29324_SB

AVAILABLE FINISHES: **10BE, BSP, C, D, WSP**
 REPLACEMENT INSERT: **P3 (BL, GR)**



NOTE: Products shown in this section may not be drawn to scale.

AVAILABLE FINISHES FOR PRODUCTS SHOWN ON THIS PAGE (see General Information section for finish chart)
10BE (Satin Bronze Powder Coated Aluminum) **BSP** (Black Suede Powder Coated Aluminum) **C** (Clear Anodized)
D (Dark Bronze Anodized) **G** (Gold Anodized) **PW** (Painted White) **SN** (Satin Nickel Anodized)
WSP (White Suede Powder Coated Aluminum) Special finishes available upon request

800-824-3018 | www.assaabloydooraccessories.us

Check the web site for the up-to-date catalog

Copyright © 2015-2021, ASSA ABLOY Accessories and Door Controls Group, Inc., an ASSA ABLOY Group company. All rights reserved. Reproduction in whole or in part without the express written permission of ASSA ABLOY Accessories and Door Controls Group, Inc. is prohibited.

ASSA ABLOY
 Opening Solutions

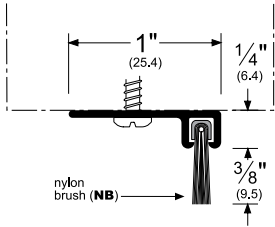
Experience a safer
 and more open world

90° Aluminum Retainers

- Design permits use as a concealed seal for many applications
- Slotted holes for easy adjustment

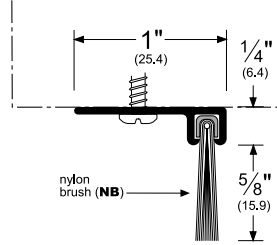
90041_NB

AVAILABLE FINISHES:
10BE, BSP, C, D, WSP
 REPLACEMENT INSERT:
P516041 (BL, GR, W)
 ANSI: **R3A164, R3A414**



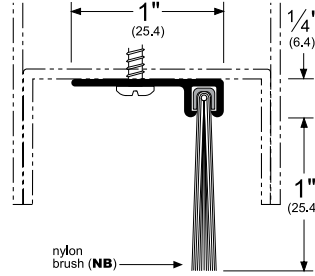
90062_NB

AVAILABLE FINISHES:
10BE, BSP, C, D, WSP
 REPLACEMENT INSERT:
P516062 (BL, GR, W)
 ANSI: **R3A164, R3A414**



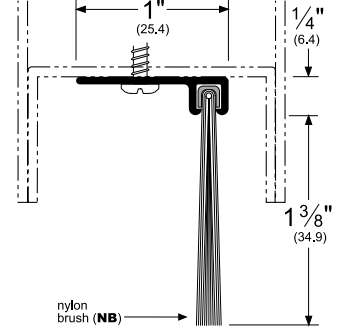
90100_NB

AVAILABLE FINISHES:
10BE, BSP, C, D, G, WSP
 REPLACEMENT INSERT:
P516100 (BL, GR, W)
 ANSI: **R3A414**



90137_NB

AVAILABLE FINISHES:
10BE, BSP, C, D, G, WSP
 REPLACEMENT INSERT:
P516137 (BL, GR, W)
 ANSI: **R3A414**



Alternate Insert For 90041

90041_SB

AVAILABLE FINISHES: **10BE, BSP, C, D, WSP**
 REPLACEMENT INSERT: **P3 (BL, GR)**

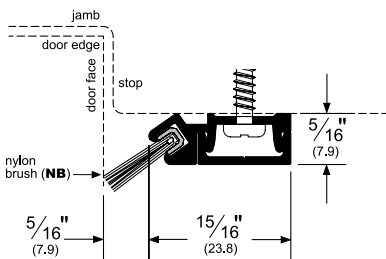


45° Concealed Fastener Retainers

- Replacement snap cover is item _29316-.
 When ordering, identify finish and length

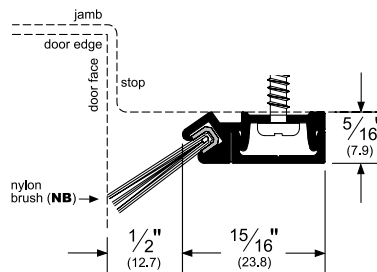
29344_NB

AVAILABLE FINISHES: **10BE, BSP, C, D, WSP**
 REPLACEMENT INSERT: **P516041 (BL, GR)**
 ANSI: **R3A164**



29346_NB

AVAILABLE FINISHES: **10BE, BSP, C, D, WSP**
 REPLACEMENT INSERT: **P516062 (BL, GR, W)**
 ANSI: **R3A164**



Alternate Insert For 29344

29344_SB

AVAILABLE FINISHES:
10BE, BSP, C, D, WSP
 REPLACEMENT INSERT: **P3 (BL, GR)**



ASSA ABLOY
 Opening Solutions

Experience a safer
 and more open world

NOTE: Products shown in this section may not be drawn to scale.

AVAILABLE FINISHES FOR PRODUCTS SHOWN ON THIS PAGE (see General Information section for finish chart)
10BE (Satin Bronze Powder Coated Aluminum) **BSP** (Black Suede Powder Coated Aluminum) **C** (Clear Anodized)
D (Dark Bronze Anodized) **G** (Gold Anodized) **PW** (Painted White) **WSP** (White Suede Powder Coated Aluminum)
 Special finishes available upon request

800-824-3018 | www.assaabloydooraccessories.us

Check the web site for the up-to-date catalog

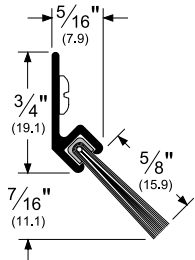
Copyright © 2015-2021, ASSA ABLOY Accessories and Door Controls Group, Inc., an ASSA ABLOY company. All rights reserved.
 Reproduction in whole or in part without the express written permission of ASSA ABLOY Accessories and Door Controls Group, Inc. is prohibited.

45° Aluminum Retainers

- Slotted holes for easy adjustment

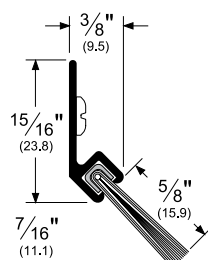
45061_NB

AVAILABLE FINISHES:
10BE, BSP, C, D, G, SN, WSP
 REPLACEMENT INSERT:
P516062 (BL, GR, W)
 ANSI: R3A164



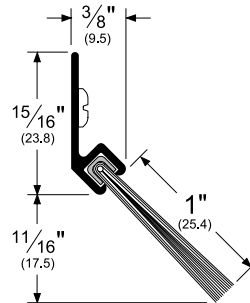
45062_NB

AVAILABLE FINISHES:
10BE, BSP, C, D, G, PW, WSP
 REPLACEMENT INSERT:
P38062 (BL, GR, W)
 ANSI: R3A164



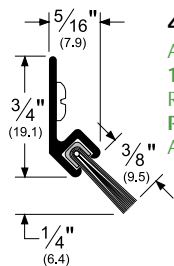
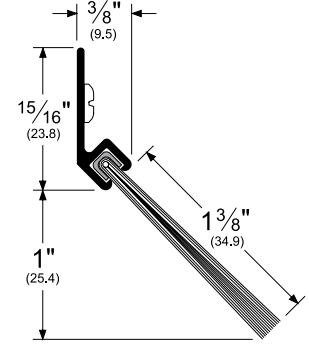
45100_NB

AVAILABLE FINISHES:
10BE, BSP, C, D, G, PW, WSP
 REPLACEMENT INSERT:
P38100 (BL, GR)
 ANSI: R3A164



45137_NB

AVAILABLE FINISHES:
10BE, BSP, C, D, PW, WSP
 REPLACEMENT INSERT:
P58137 (BL, GR, W)
 ANSI: R3A164



45041_NB

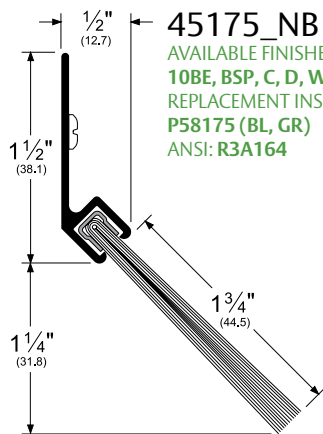
AVAILABLE FINISHES:
10BE, BSP, C, D, G, SN, WSP
 REPLACEMENT INSERT:
P516041 (BL, GR)
 ANSI: R3A164



Alternate Insert For 45041

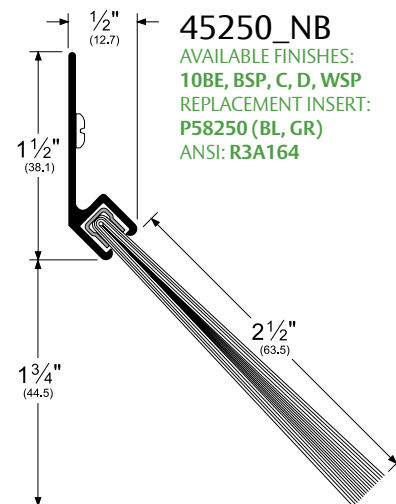
45041_SB

AVAILABLE FINISHES:
10BE, BSP, C, D, G, SN, WSP
 REPLACEMENT INSERT: P3 (BL, GR)



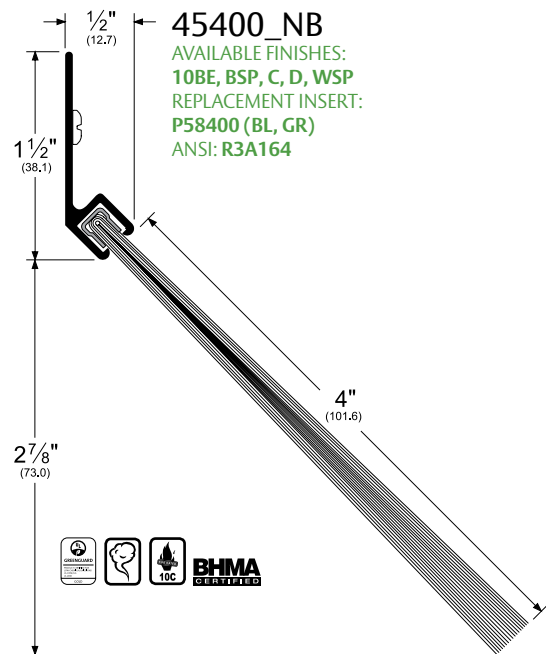
45175_NB

AVAILABLE FINISHES:
10BE, BSP, C, D, WSP
 REPLACEMENT INSERT:
P58175 (BL, GR)
 ANSI: R3A164



45250_NB

AVAILABLE FINISHES:
10BE, BSP, C, D, WSP
 REPLACEMENT INSERT:
P58250 (BL, GR)
 ANSI: R3A164



45400_NB

AVAILABLE FINISHES:
10BE, BSP, C, D, WSP
 REPLACEMENT INSERT:
P58400 (BL, GR)
 ANSI: R3A164



NOTE: Products shown in this section may not be drawn to scale.

AVAILABLE FINISHES FOR PRODUCTS SHOWN ON THIS PAGE (see General Information section for finish chart)
10BE (Satin Bronze Powder Coated Aluminum) **BSP** (Black Suede Powder Coated Aluminum) **C** (Clear Anodized)
D (Dark Bronze Anodized) **G** (Gold Anodized) **PW** (Painted White) **SN** (Satin Nickel Anodized)
WSP (White Suede Powder Coated Aluminum) Special finishes available upon request

800-824-3018 | www.assaabloydooraccessories.us

Check the web site for the up-to-date catalog

Copyright © 2015-2021, ASSA ABLOY Accessories and Door Controls Group, Inc., an ASSA ABLOY Group company. All rights reserved.
 Reproduction in whole or in part without the express written permission of ASSA ABLOY Accessories and Door Controls Group, Inc. is prohibited.

ASSA ABLOY
 Opening Solutions

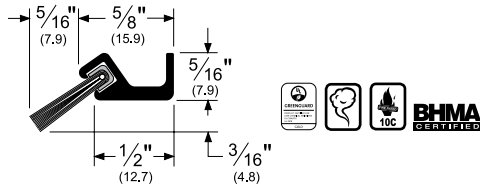
Experience a safer
 and more open world

35° Aluminum Retainers

- These products have 1/8" drilled fastener holes

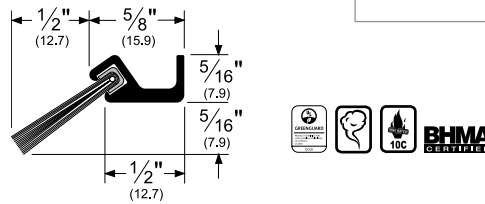
35041_NB

AVAILABLE FINISHES: **C, D**
 REPLACEMENT INSERT:
P516041 (BL, GR)
 ANSI: **R3A164**



35061_NB

AVAILABLE FINISHES: **C, D**
 REPLACEMENT INSERT:
P516062 (BL, GR, W)
 ANSI: **R3A164**



Alternate Insert For 35041

35041_SB

AVAILABLE FINISHES: **C, D**
 REPLACEMENT INSERT: **P3 (BL, GR)**

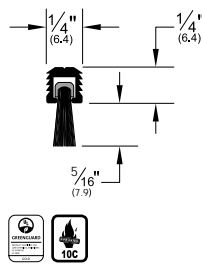


Mortise Retainers

- The ultimate design for concealed weatherstrip needs
- Can be used on doors, windows and more

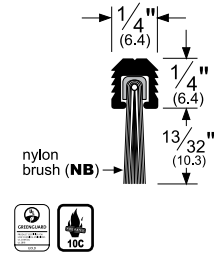
5025_NB

AVAILABLE FINISH: **A**
 REPLACEMENT INSERT:
P14025 (BL, GR)



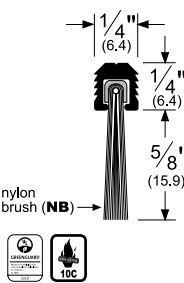
5041_NB

AVAILABLE FINISH: **A**
 REPLACEMENT INSERT:
P516041 (BL, GR)



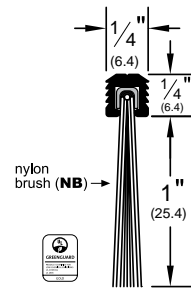
5061_NB

AVAILABLE FINISH: **A**
 REPLACEMENT INSERT:
P516062 (BL, GR, W)



5100_NB

AVAILABLE FINISH: **A**
 REPLACEMENT INSERT:
P516100 (BL, GR, W)



Alternate Insert For 5025 and 5041

5025_SB

AVAILABLE FINISHES: **A**
 REPLACEMENT INSERT:
SB14025 (BL, GR)



5041_SB

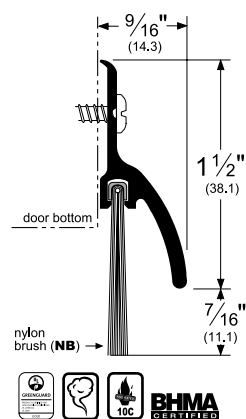
AVAILABLE FINISHES: **A**
 REPLACEMENT INSERT:
P3 (BL, GR)

Aluminum Retainer with Rain Drip

- Slotted holes for easy adjustment

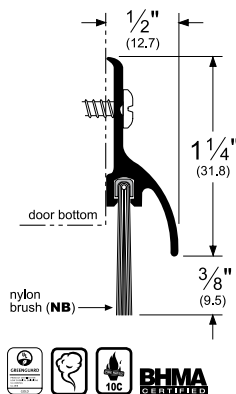
345_NB

AVAILABLE FINISHES:
A, BDG, D, G, PW
 REPLACEMENT INSERT:
P14100 (BL, GR)
 ANSI: **R3A534**



3452_NB

AVAILABLE FINISHES:
A, BDG, C, D, G, PW, SN
 REPLACEMENT INSERT:
P14075 (BL, GR)
 ANSI: **R3A534**

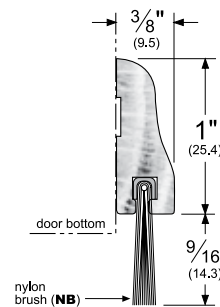


Oak Retainers 36" Wide

- These products have 1/8" drilled fastener holes

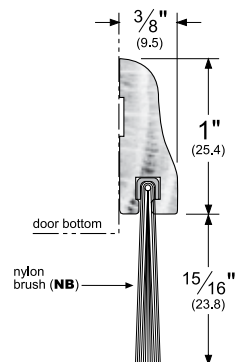
18062WNB

AVAILABLE FINISH: **W**
 REPLACEMENT INSERT:
P516062 (BL, GR, W)



18100WNB

AVAILABLE FINISH: **W**
 REPLACEMENT INSERT:
P516100 (BL, GR)



NOTE: Products shown in this section may not be drawn to scale.

AVAILABLE FINISHES FOR PRODUCTS SHOWN ON THIS PAGE (see General Information section for finish chart)
A (Mill Finish Aluminum) **BDG** (Bright Dip Gold Anodized) **C** (Clear Anodized) **D** (Dark Bronze Anodized)
G (Gold Anodized) **PW** (Painted White) **SN** (Satin Nickel Anodized) **W** (Unfinished Solid Oak)

ASSA ABLOY
 Opening Solutions

Experience a safer
 and more open world

800-824-3018 | www.assaabloydooraccessories.us

Check the web site for the up-to-date catalog

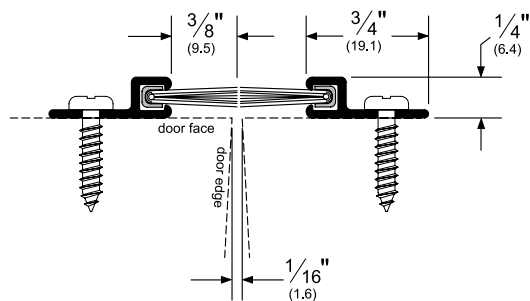
Copyright © 2015-2021, ASSA ABLOY Accessories and Door Controls Group, Inc., an ASSA ABLOY Group company. All rights reserved. Reproduction in whole or in part without the express written permission of ASSA ABLOY Accessories and Door Controls Group, Inc. is prohibited.

Meeting Stiles

- Astragals and Meeting Stiles with a fire label may be mounted on pairs of doors wherein the gap meets the requirements of NFPA 80-2013, 6.3.1.7.1 "The clearance between... the meeting edges of doors swinging in pairs on the pull side shall be $\frac{1}{8}'' \pm \frac{1}{16}''$ (3.18mm \pm 1.59mm) for steel doors and shall not exceed $\frac{1}{8}''$ (3.18mm) for wood doors"
- Snap cover helps prevent vandalism and adds an attractive finished look by concealing the fasteners
- Replacement snap cover is item _29316. When ordering, identify finish and length
- NOTE: Although drawn with a gap between the brush, when installed, these brush products SHOULD make contact. Brush should mesh from $\frac{1}{32}''$ to $\frac{1}{16}''$

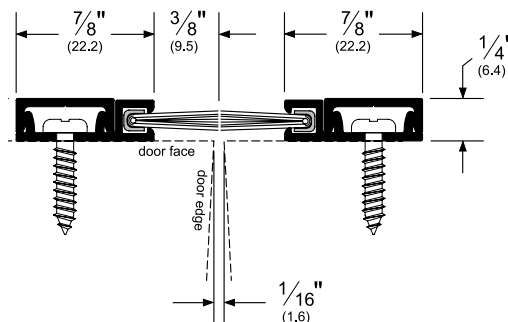
18041_NB

AVAILABLE FINISHES: **10BE, BSP, C, D, G, SN, WSP**
 REPLACEMENT INSERT: **P516041 (BL, GR)**
 ANSI: **R3A734**



29324_NB

AVAILABLE FINISHES: **10BE, BSP, C, D, G, SN, WSP**
 REPLACEMENT INSERT: **P516041 (BL, GR)**
 ANSI: **R3A434, R3A435**



Alternate Insert For 18041

18041_SB

AVAILABLE FINISHES:
10BE, BSP, C, D, G, SN, WSP
 REPLACEMENT INSERT: **P3 (BL, GR)**



soft brush (SB)

Alternate Insert For 29324

29324_SB

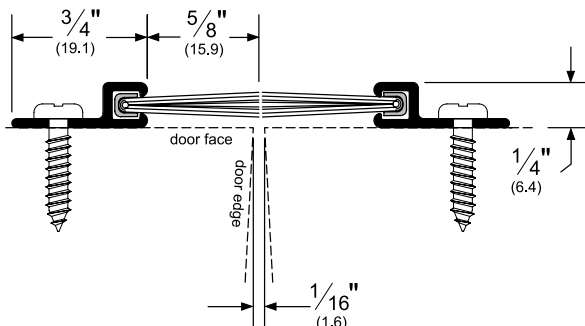
AVAILABLE FINISHES:
10BE, BSP, C, D, G, SN, WSP
 REPLACEMENT INSERT: **P3 (BL, GR)**



soft brush (SB)

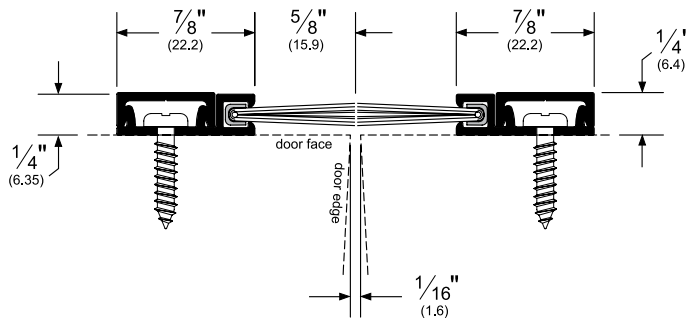
18061_NB

AVAILABLE FINISHES: **10BE, BSP, C, D, G, SN, WSP**
 REPLACEMENT INSERT: **P516062 (BL, GR, W)**
 ANSI: **R3A734**



29326_NB

AVAILABLE FINISHES: **10BE, BSP, C, D, G, SN, WSP**
 REPLACEMENT INSERT: **P516062 (BL, GR, W)**
 ANSI: **R3A764, R3A765**



NOTE: Products shown in this section may not be drawn to scale.

AVAILABLE FINISHES FOR PRODUCTS SHOWN ON THIS PAGE (see General Information section for finish chart)

10BE (Satin Bronze Powder Coated Aluminum) **BSP** (Black Suede Powder Coated Aluminum) **C** (Clear Anodized)
D (Dark Bronze Anodized) **G** (Gold Anodized) **SN** (Satin Nickel Anodized) **WSP** (White Suede Powder Coated Aluminum)

800-824-3018 | www.assaabloydooraccessories.us

Check the web site for the up-to-date catalog

Copyright © 2015-2021, ASSA ABLOY Accessories and Door Controls Group, Inc., an ASSA ABLOY Group company. All rights reserved.
 Reproduction in whole or in part without the express written permission of ASSA ABLOY Accessories and Door Controls Group, Inc. is prohibited.

ASSA ABLOY
 Opening Solutions

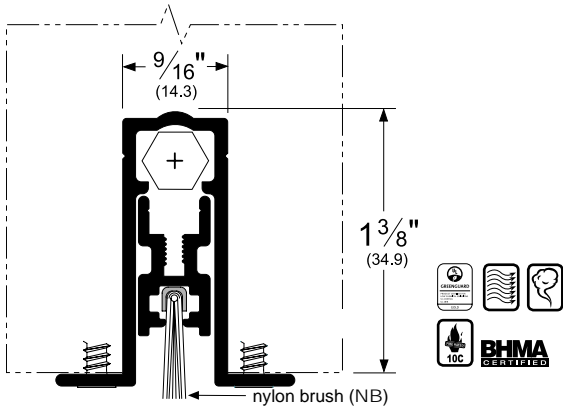
Experience a safer
 and more open world

Automatic Door Bottoms

- When ordering 4131 or 4301, specify if the automatic door bottom is for a semi-mortise application so that shorter screws can be provided

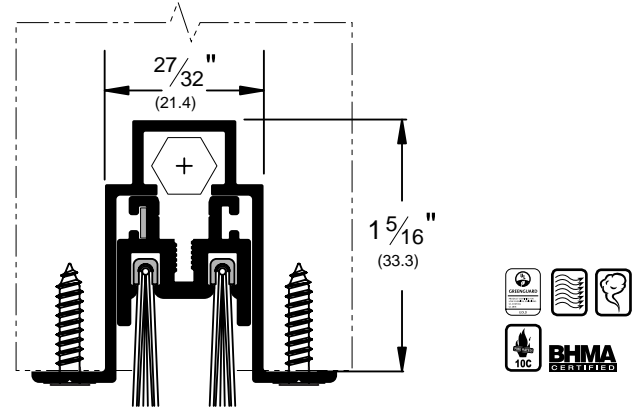
411_NBL

AVAILABLE FINISH: **A**
 REPLACEMENT INSERT: **P14075BL (BL, GR)**
 ANSI: **R3A324, R3A325**



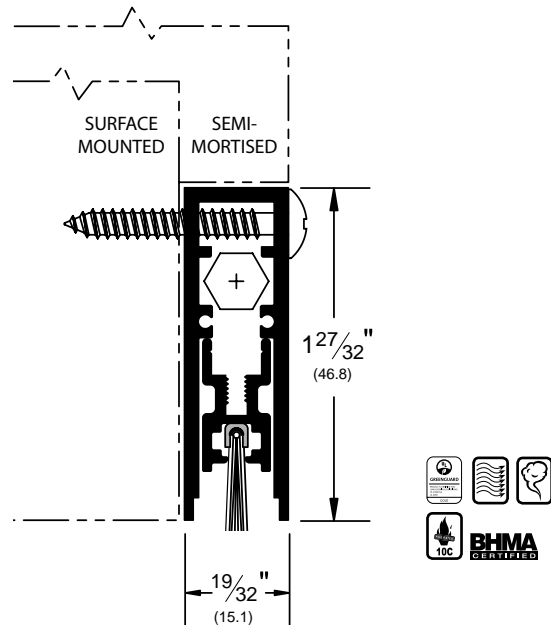
434_NBL

AVAILABLE FINISH: **A**
 REPLACEMENT INSERT: **P516075BL (BL)**
 ANSI: **R3A324, R3A325**



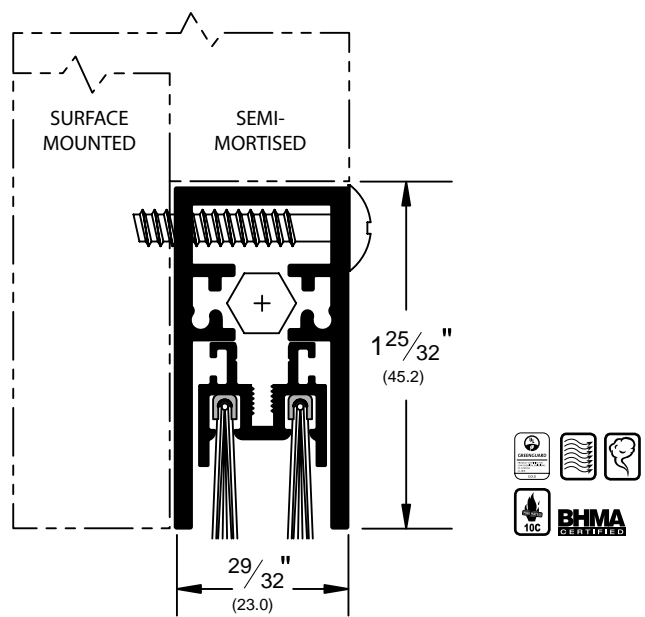
4131_NBL

AVAILABLE FINISHES: **10BE, BDG, BSP, C, D, G, WSP**
 REPLACEMENT INSERT: **P14075BL (BL, GR)**
 ANSI: **R3A334, R3A335, R3A344, R3A345**



4301_NBL

AVAILABLE FINISHES: **10BE, BSP, C, D, WSP**
 REPLACEMENT INSERT: **P516075BL (BL)**
 ANSI: **R3A334, R3A335, R3A344, R3A345**



NOTE: Products shown in this section may not be drawn to scale.

AVAILABLE FINISHES FOR PRODUCTS SHOWN ON THIS PAGE (see General Information section for finish chart)
10BE (Satin Bronze Powder Coated Aluminum) **A** (Mill Finish Aluminum) **BDG** (Bright Dip Gold Anodized)
BSP (Black Suede Powder Coated Aluminum) **C** (Clear Anodized) **D** (Dark Bronze Anodized) **G** (Gold Anodized)
SN (Satin Nickel Anodized) **WSP** (White Suede Powder Coated Aluminum)

ASSA ABLOY
 Opening Solutions

Experience a safer
 and more open world

800-824-3018 | www.assaabloydooraccessories.us
 Check the web site for the up-to-date catalog

Copyright © 2015-2021, ASSA ABLOY Accessories and Door Controls Group, Inc., an ASSA ABLOY Group company. All rights reserved.
 Reproduction in whole or in part without the express written permission of ASSA ABLOY Accessories and Door Controls Group, Inc. is prohibited.

Pemko Perimeter Gasketing

CONTENTS:

Standard Perimeter Gasketing.....	188
Perimeter Gasket Solutions for Sliding Doors.....	191
Stainless Steel Perimeter Gasketing.....	192
Adjustable Jamb Gasketing.....	193
Heavy Duty Interlock Perimeter Gasketing.....	193
Heavy Duty Perimeter Gasketing - Head Section.....	194
Heavy Duty Perimeter Gasketing - Standard Jamb.....	195
Perimeter Gasket Jamb Brackets.....	195
Snap Cover Perimeter Gasketing With Concealed Fasteners.....	196
Kerf-In Weatherstrip.....	197
Magnetic Weatherstrip.....	198
Adhesive Perimeter Gasketing.....	198
MicroShield® Antimicrobial Adhesive Gasketing.....	199
Excessive Gap Perimeter Solution.....	200
Interlock Weatherstrip For Wood Windows.....	200
Interlock Weatherstrip For Wood Doors.....	201
Cushion/Spring Weatherstrip.....	201
Fasteners for Cushion, Spring and Interlock Weatherstrip.....	201
Privacy Seals for Sliding Doors.....	202

INDEX:

PRODUCT	PAGE	PRODUCT	PAGE	PRODUCT	PAGE
2P.....	200	319SS.....	192	HSS20XGxS773.....	200
4C.....	200	322.....	193	MAG349.....	198
4P.....	200	330.....	190	NL1634.....	201
6C.....	200	331.....	201	NL1678.....	201
10.....	200	332.....	189	NL13516.....	201
30.....	201	335.....	193	P50.....	198
41M.....	201	336.....	193	P51B17.....	201
43.....	201	350.....	193	PEMKOSFSET.....	202
70C-100.....	201	375.....	189	PK33.....	199
70D-100.....	201	379.....	193	PK52.....	198
70E-100.....	201	394.....	191, 202	PK55.....	199
70F-100.....	201	950.....	191, 202	Q102.....	197
73.....	201	2815_M.....	198	Q103.....	197
74.....	201	2891.....	194	Q106.....	197
75.....	201	2892.....	194	Q107.....	197
285.....	190	2893.....	194	Q108.....	197
290.....	195	28945.....	194	S44.....	198
294.....	191	2902.....	195	S442.....	199
296.....	190	2903.....	195	S52.....	197
297.....	188	29045.....	195	S77.....	199
303.....	188	29310.....	196	S88.....	198
305.....	189	29313.....	196	S104.....	197
305SS.....	192	29326.....	196	S105.....	197
306.....	191	29344.....	196	S109.....	197
309.....	191	29346.....	196	S771x6.....	199
312.....	190	29394.....	191, 202	S773.....	198
315.....	190	AM44.....	199	S776.....	199
315SS.....	192	AM88.....	199	PY900.....	191
3151.....	190	BKT050.....	195	XG90KIT.....	200
316.....	188	BKT075.....	195	XG900.....	200
319.....	189	BKT1532.....	195		

800-824-3018 | www.assaabloydooraccessories.us

Check the web site for the up-to-date catalog

Copyright © 2015-2021, ASSA ABLOY Accessories and Door Controls Group, Inc., an ASSA ABLOY Group company. All rights reserved.
Reproduction in whole or in part without the express written permission of ASSA ABLOY Accessories and Door Controls Group, Inc. is prohibited.

ASSA ABLOY
Opening Solutions

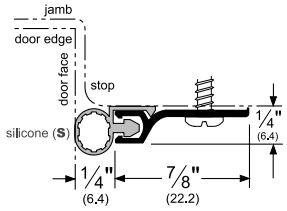
Experience a safer
and more open world

Standard Perimeter Gasketing

- Rigid jamb weatherstrip shown mounted on openings with $\frac{1}{16}$ " gaps; however, each weatherstrip can seal gaps up to the depth of its seal. Seal depth provided on each illustration (example: the 303 has a $\frac{1}{4}$ " seal; therefore, it can seal up to a $\frac{1}{4}$ " gap)
- Punched on 6" centers with slotted holes for adjustment. Models 294, 303, and 306 are available with self-adhesive two-sided tape (TST) and tek screws (3 slotted holes per part) for easy installation. To obtain this option, add "TST" to the end of the part when ordering (example: 303AVTST)

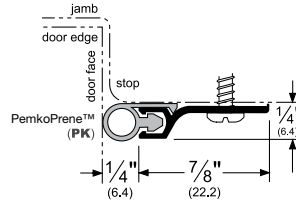
303_S

AVAILABLE FINISHES:
10BE, A, BSP, C, D, G, PW, SN, WSP
 REPLACEMENT INSERT: **S3 (BL, W)**
 ANSI: **R3E164, R3E165**



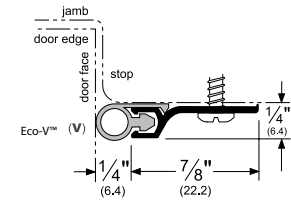
303_PK

AVAILABLE FINISHES:
10BE, A, BSP, C, D, G, PW, SN, WSP
 REPLACEMENT INSERT: **PK47 (BL, GR)**
 ANSI: **R3G164**



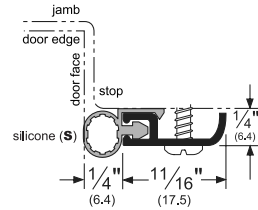
303_V

AVAILABLE FINISHES:
10BE, A, BSP, C, D, G, PW, SN, WSP
 REPLACEMENT INSERT: **EV47 (BL, GR, W)**



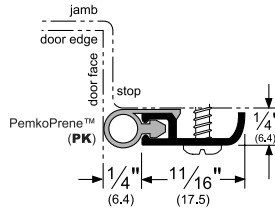
316_S

AVAILABLE FINISHES:
10BE, A, BDG, BSP, D, G, WSP
 REPLACEMENT INSERT: **S3 (BL, W)**
 ANSI: **R3E164, R3E165**



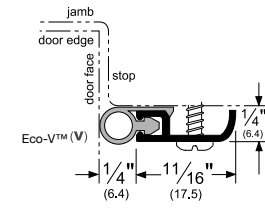
316_PK

AVAILABLE FINISHES:
10BE, A, BDG, BSP, D, G, WSP
 REPLACEMENT INSERT: **PK47 (BL, GR)**
 ANSI: **R3G164, R3G165**



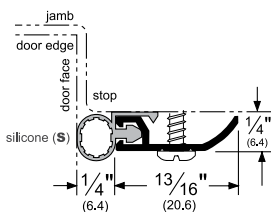
316_V

AVAILABLE FINISHES:
10BE, A, BDG, BSP, D, G, WSP
 REPLACEMENT INSERT: **EV47 (BL, GR, W)**



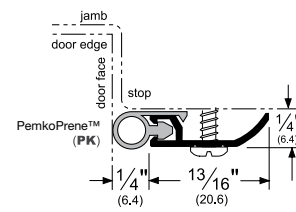
297_S

AVAILABLE FINISHES:
10BE, A, BDG, BSP, D, G, PW, SN, WSP
 REPLACEMENT INSERT: **S3 (BL, W)**
 ANSI: **R3E164, R3E165**



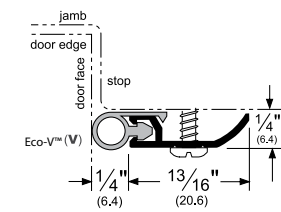
297_PK

AVAILABLE FINISHES:
10BE, A, BDG, BSP, D, G, PW, SN, WSP
 REPLACEMENT INSERT: **PK47 (BL, GR)**
 ANSI: **R3G164, R3G165**



297_V

AVAILABLE FINISHES:
10BE, A, BDG, BSP, D, G, PW, SN, WSP
 REPLACEMENT INSERT: **EV47 (BL, GR, W)**



NOTE: Products shown in this section may not be drawn to scale.

AVAILABLE FINISHES FOR PRODUCTS SHOWN ON THIS PAGE (see General Information section for finish chart)
10BE (Satin Bronze Powder Coated Aluminum) **A** (Mill Finish Aluminum) **BDG** (Bright Dip Gold Anodized)
BSP (Black Suede Powder Coated Aluminum) **C** (Clear Anodized) **D** (Dark Bronze Anodized) **G** (Gold Anodized)
PW (Painted White) **SN** (Satin Nickel Anodized) **WSP** (White Suede Powder Coated Aluminum)

ASSA ABLOY
 Opening Solutions

Experience a safer
 and more open world

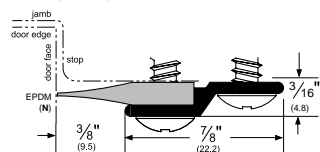
800-824-3018 | www.assaabloydooraccessories.us
 Check the web site for the up-to-date catalog

Copyright © 2015-2021, ASSA ABLOY Accessories and Door Controls Group, Inc., an ASSA ABLOY Group company. All rights reserved. Reproduction in whole or in part without the express written permission of ASSA ABLOY Accessories and Door Controls Group, Inc. is prohibited.

Standard Perimeter Gasketing (Cont.)

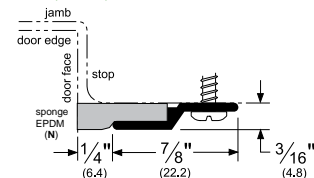
305_N

AVAILABLE FINISHES:
10BE, B, BSP, C, D, G, WSP
 REPLACEMENT INSERT: **E2 (BL, GR)**
 ANSI (alum): **R3G164, R3G165**
 ANSI (brass): **R1G164, R1G165**



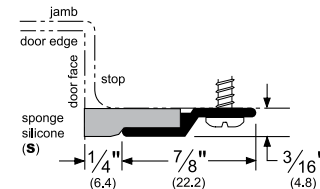
305_R

AVAILABLE FINISHES:
10BE, B, BSP, C, D, G, WSP
 REPLACEMENT INSERT: **ER1 (BL)**
 ANSI (alum): **R3G164, R3G165**
 ANSI (brass): **R1G164, R1G165**



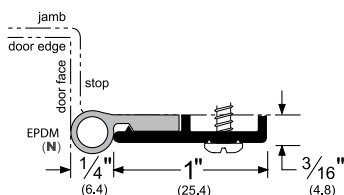
305_S

AVAILABLE FINISHES:
10BE, B, BSP, C, D, G, WSP
 REPLACEMENT INSERT: **SR1 (BL)**
 ANSI: **R3E164, R3E165**



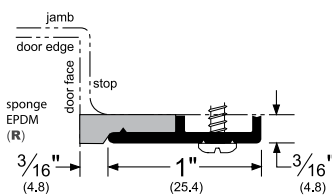
319_N

AVAILABLE FINISHES: **10BE, BSP, C, D, G, WSP**
 REPLACEMENT INSERT: **E11 (BL)**
 ANSI: **R3G164, R3G165**



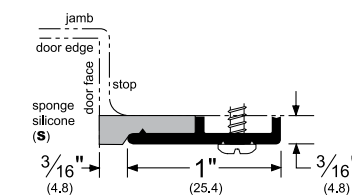
319_R

AVAILABLE FINISHES: **10BE, BSP, C, D, G, WSP**
 REPLACEMENT INSERT: **ER1 (BL)**
 ANSI: **R3G164, R3G165**



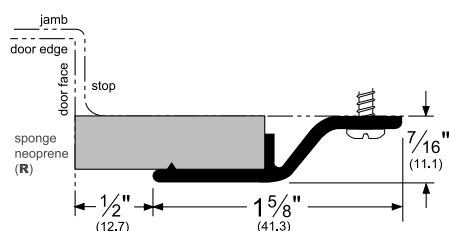
319_S

AVAILABLE FINISHES: **10BE, BSP, C, D, G, WSP**
 REPLACEMENT INSERT: **SR1 (BL)**
 ANSI: **R3E165**



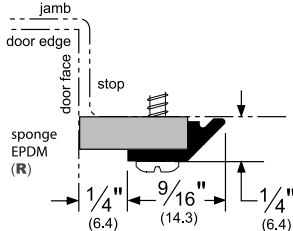
375_R

AVAILABLE FINISHES:
10BE, B, BSP, C, D, G, WSP
 REPLACEMENT INSERT: **ER6 (BL)**
 ANSI (alum): **R3C164, R3C165**



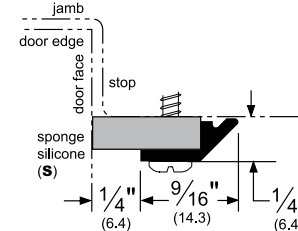
332_R

AVAILABLE FINISHES:
10BE, BSP, C, D, G, WSP
 REPLACEMENT INSERT: **ER1 (BL)**
 ANSI: **R3G164, R3G165**



332_S

AVAILABLE FINISHES:
10BE, BSP, C, D, G, WSP
 REPLACEMENT INSERT: **SR1 (BL)**
 ANSI: **R3E164, R3E165**



NOTE: Products shown in this section may not be drawn to scale.

AVAILABLE FINISHES FOR PRODUCTS SHOWN ON THIS PAGE (see General Information section for finish chart)

10BE (Satin Bronze Powder Coated Aluminum) **A** (Mill Finish Aluminum) **B** (Mill Finish Extruded Bronze [Brass])
BDG (Bright Dip Gold Anodized) **BSP** (Black Suede Powder Coated Aluminum) **C** (Clear Anodized) **D** (Dark Bronze Anodized)
G (Gold Anodized) **PW** (Painted White) **SN** (Satin Nickel Anodized) **WSP** (White Suede Powder Coated Aluminum)

800-824-3018 | www.assaabloydooraccessories.us

Check the web site for the up-to-date catalog

Copyright © 2015-2021, ASSA ABLOY Accessories and Door Controls Group, Inc., an ASSA ABLOY Group company. All rights reserved.
 Reproduction in whole or in part without the express written permission of ASSA ABLOY Accessories and Door Controls Group, Inc. is prohibited.

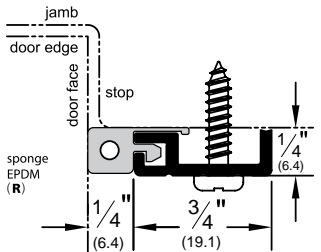
ASSA ABLOY
 Opening Solutions

Experience a safer
 and more open world

Standard Perimeter Gasketing (Cont.)

312_R

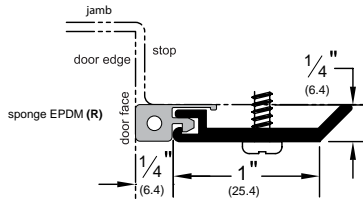
AVAILABLE FINISHES:
10BE, BSP, C, D, G, WSP
 REPLACEMENT INSERT: **ER9BL (BL)**
 ANSI (alum): **R3G164, R3G165**



315_R

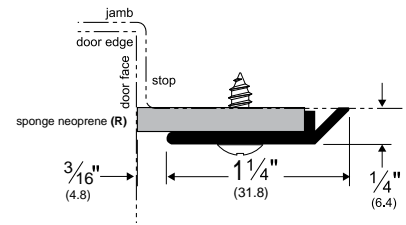
AVAILABLE FINISHES:
10BE, B, BSP, C, D, G, WSP
 REPLACEMENT INSERT: **ER9BL (BL)**
 ANSI (alum): **R3G164, R3G165**

- Please consult website for correct 315BR profile.



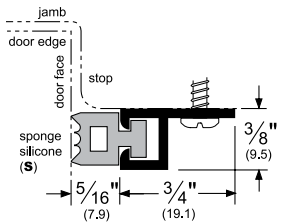
3151_R

AVAILABLE FINISHES:
10BE, BSP, C, D, G, WSP
 REPLACEMENT INSERT: **ER2 (BL)**
 ANSI (alum): **R3G164**



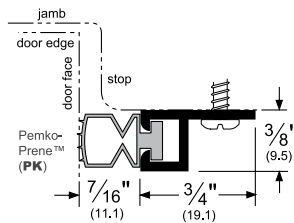
296_S

AVAILABLE FINISHES:
10BE, BSP, C, D, G, WSP
 REPLACEMENT INSERT: **SR6 (BL)**
 ANSI (alum): **R3E164, R3E165**



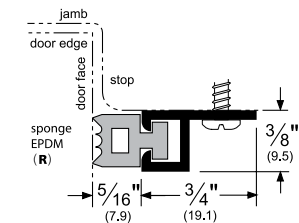
296_PK

AVAILABLE FINISHES:
10BE, BSP, C, D, G, WSP
 REPLACEMENT INSERT: **PK4132 (BL)**
 ANSI (alum): **R3G164, R3G165**



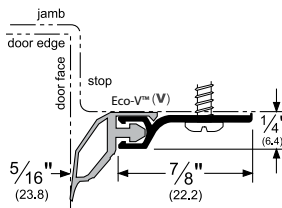
296_R

AVAILABLE FINISHES:
10BE, BSP, C, D, G, WSP
 REPLACEMENT INSERT: **E7 (BL)**
 ANSI (alum): **R3G164, R3G165**



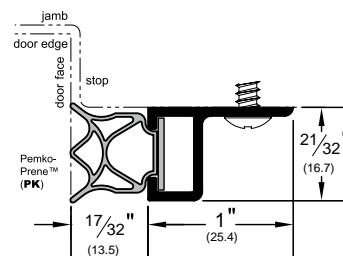
330_V

AVAILABLE FINISHES:
10BE, A, BSP, D, SN, WSP
 REPLACEMENT INSERT: **EV61 (BL, GR)**



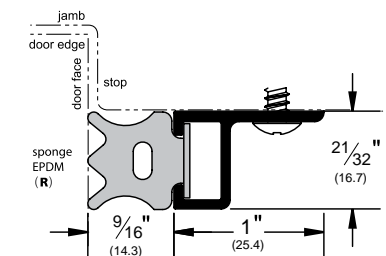
285_PK

AVAILABLE FINISHES:
10BE, BSP, C, D, G, WSP
 REPLACEMENT INSERT: **PK4304 (BL)**
 ANSI (alum): **R3G164, R3G165**



285_R

AVAILABLE FINISHES:
10BE, BSP, C, D, G, WSP
 REPLACEMENT INSERT: **E4303 (BL)**
 ANSI (alum): **R3G166**



NOTE: Products shown in this section may not be drawn to scale.

AVAILABLE FINISHES FOR PRODUCTS SHOWN ON THIS PAGE (see General Information section for finish chart)
10BE (Satin Bronze Powder Coated Aluminum) **A** (Mill Finish Aluminum) **B** (Mill Finish Extruded Bronze [Brass])
BDG (Bright Dip Gold Anodized) **BSP** (Black Suede Powder Coated Aluminum) **C** (Clear Anodized) **D** (Dark Bronze Anodized)
G (Gold Anodized) **PW** (Painted White) **SN** (Satin Nickel Anodized) **WSP** (White Suede Powder Coated Aluminum)

800-824-3018 | www.assaabloydooraccessories.us
 Check the web site for the up-to-date catalog

ASSA ABLOY
 Opening Solutions

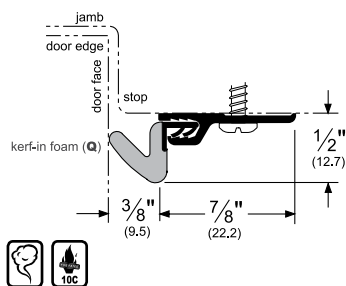
Experience a safer
 and more open world

Standard Perimeter Gasketing (Cont.)

306_Q

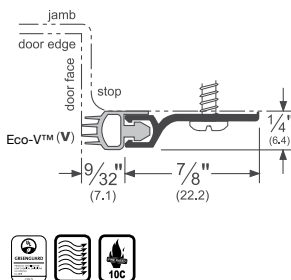
AVAILABLE FINISHES: **10BE, A, BSP, D, PW, WSP**
REPLACEMENT INSERT: **Q103 (D, W)**

- Minimum space between the door face and the stop is $\frac{3}{16}$ "; maximum space is $\frac{5}{16}$ "
- Note insert color when ordering:
Dark Brown (D) or White (W)



306_V

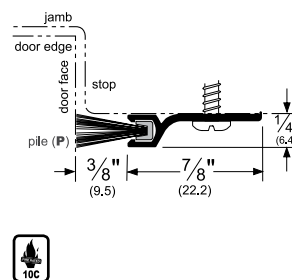
AVAILABLE FINISHES:
10BE, A, BSP, D, WSP
REPLACEMENT INSERT: **EV59 (BL, GR, W)**



309_P

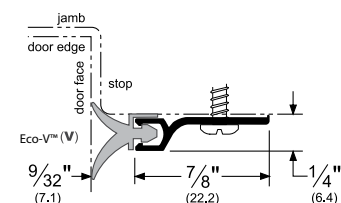
AVAILABLE FINISHES: **10BE, A, BSP, D, WSP**
REPLACEMENT INSERT: **P3 (BL, GR)**

- Minimum space between the door face and the stop is $\frac{3}{16}$ "; maximum space is $\frac{5}{16}$ "
- May also be used as a door bottom sweep



294_V

AVAILABLE FINISHES:
10BE, A, BSP, D, PW, SN, WSP
REPLACEMENT INSERT: **EV60 (GR)**



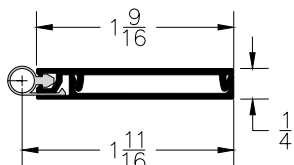
Perimeter Gasket Solutions for Sliding Doors

- For Seal Set information, please see sets outlined on page 202

29394_PK

AVAILABLE FINISHES: **10BE, BSP, C, D, WSP**
REPLACEMENT INSERT: **PK47 (GR, BL)**

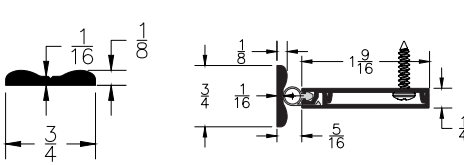
- Perimeter sealing, used with 394 wall-mounted ramp



394

AVAILABLE FINISHES:
10BE, BSP, C, D, WSP

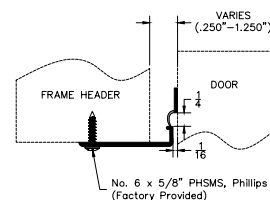
- Wall-mounted ramp used with 29394_PK



950_

AVAILABLE FINISHES:
10BE, BSP, C, D, WSP
REPLACEMENT INSERT: **PY900 (BL)**

- Head mounted sealing system



NOTE: Products shown in this section may not be drawn to scale.

AVAILABLE FINISHES FOR PRODUCTS SHOWN ON THIS PAGE (see General Information section for finish chart)

10BE (Satin Bronze Powder Coated Aluminum) **A** (Mill Finish Aluminum) **B** (Mill Finish Extruded Bronze [Brass])
BDG (Bright Dip Gold Anodized) **BSP** (Black Suede Powder Coated Aluminum) **C** (Clear Anodized) **D** (Dark Bronze Anodized)
G (Gold Anodized) **PW** (Painted White) **SN** (Satin Nickel Anodized) **WSP** (White Suede Powder Coated Aluminum)

800-824-3018 | www.assaabloydooraccessories.us

Check the web site for the up-to-date catalog

Copyright © 2015-2021, ASSA ABLOY Accessories and Door Controls Group, Inc., an ASSA ABLOY Group company. All rights reserved.
Reproduction in whole or in part without the express written permission of ASSA ABLOY Accessories and Door Controls Group, Inc. is prohibited.

ASSA ABLOY
Opening Solutions

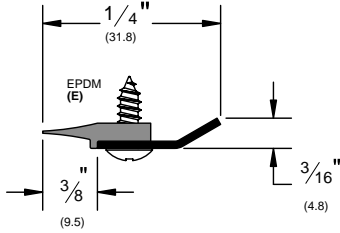
Experience a safer
and more open world

Stainless Steel Perimeter Gasketing

- Stainless Steel is a tough and durable material that tolerates exposure to chemicals and heavy use
- Easy to clean to meet sanitary requirements
- Manufactured from 430 Stainless Steel
- Long lasting with low cost of ownership

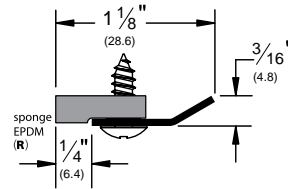
305SSE

AVAILABLE FINISH: **SS (#4 Finish)**
 REPLACEMENT INSERT: **E2 (BL, GR)**
 ANSI: **R5G164, R5G165**



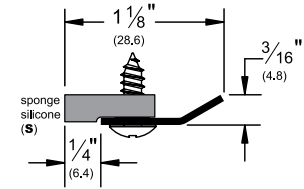
305SSR

AVAILABLE FINISH: **SS (#4 Finish)**
 REPLACEMENT INSERT: **ER1 (BL)**
 ANSI: **R5G164, R5G165**



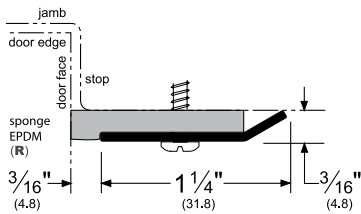
305SSS

AVAILABLE FINISH: **SS (#4 Finish)**
 REPLACEMENT INSERT: **SR1 (BL)**
 ANSI: **R5E164, R5E165**



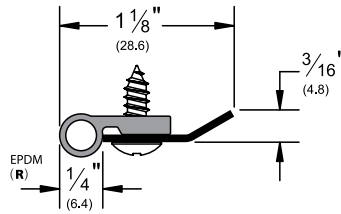
315SSR

AVAILABLE FINISH: **SS (#4 Finish)**
 REPLACEMENT INSERT: **ER2 (BL)**
 ANSI: **R5G164, R5G165**



319SSN

AVAILABLE FINISH: **SS (#4 Finish)**
 REPLACEMENT INSERT: **E11 (BL)**
 ANSI: **R5G164, R5G165**



NOTE: Products shown in this section may not be drawn to scale.

AVAILABLE FINISHES FOR PRODUCTS SHOWN ON THIS PAGE (see General Information section for finish chart)

A (Mill Finish Aluminum) **B** (Mill Finish Extruded Bronze [Brass]) **BDG** (Bright Dip Gold Anodized)

C (Clear Anodized) **D** (Dark Bronze Anodized) **G** (Gold Anodized) **PW** (Painted White) **SN** (Satin Nickel Anodized)

SS (See Individual Part)

ASSA ABLOY
 Opening Solutions

Experience a safer
 and more open world

800-824-3018 | www.assaabloydooraccessories.us

Check the web site for the up-to-date catalog

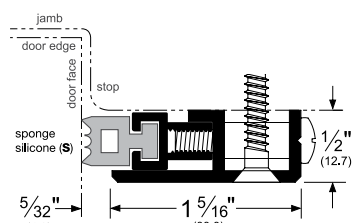
Copyright © 2015-2021, ASSA ABLOY Accessories and Door Controls Group, Inc., an ASSA ABLOY Group company. All rights reserved. Reproduction in whole or in part without the express written permission of ASSA ABLOY Accessories and Door Controls Group, Inc. is prohibited.

Adjustable Jamb Gasketing

- Adjustable jamb gasketing is shown mounted on openings with $\frac{1}{16}$ " gaps; however, each weatherstrip can seal gaps up to $\frac{1}{4}$ "
- Adjustable jamb weatherstrip can adjust $\frac{3}{16}$ " out from the position illustrated

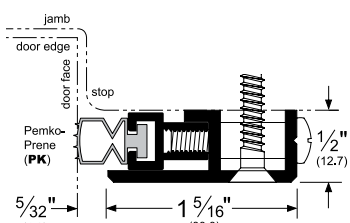
379_S

AVAILABLE FINISHES: 10BE, BSP, C, D, G, WSP
REPLACEMENT INSERT: SR6 (BL)
ANSI: R3E264, R3E265



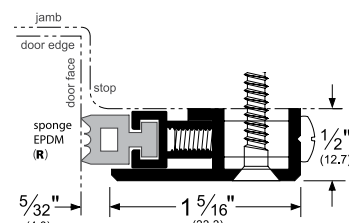
379_PK

AVAILABLE FINISHES: 10BE, BSP, C, D, G, WSP
REPLACEMENT INSERT: PK4132 (BL)
ANSI: R3G264, R3G265



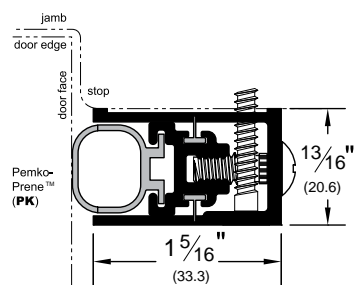
379_R

AVAILABLE FINISHES: 10BE, BSP, C, D, G, WSP
REPLACEMENT INSERT: E7 (BL)
ANSI: R3G264, R3G265



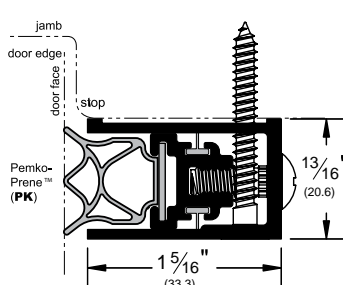
322_SPK

AVAILABLE FINISHES: 10BE, BSP, C, D, G, WSP
REPLACEMENT INSERT: PK121 (BL)



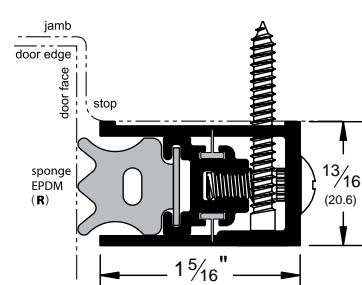
350_SPK

AVAILABLE FINISHES: 10BE, BSP, C, D, G, WSP
REPLACEMENT INSERT: PK4304 (BL)
ANSI: R3G164, R3G165



350_SR

AVAILABLE FINISHES: 10BE, BSP, C, D, G, WSP
REPLACEMENT INSERT: E4303 (BL)
ANSI: R3G164, R3G165



Heavy Duty Interlock Perimeter Gasketing

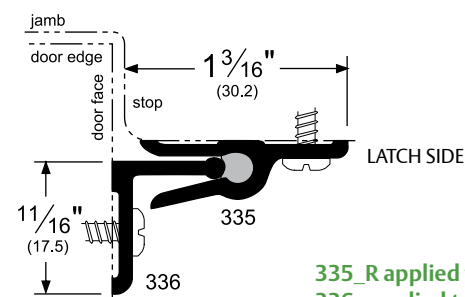
335_R

AVAILABLE FINISHES: A, D

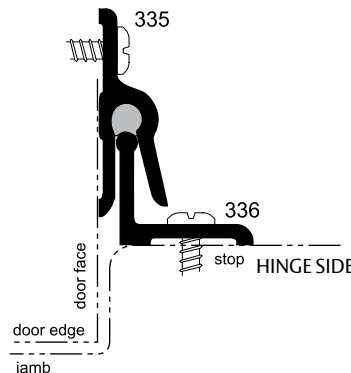
336_

AVAILABLE FINISHES: A, D

NOTE: Diagram consists of two parts, each sold separately.



335_R applied to jamb;
336_ applied to door.



NOTE: Products shown in this section may not be drawn to scale.

AVAILABLE FINISHES FOR PRODUCTS SHOWN ON THIS PAGE (see General Information section for finish chart)

10BE (Satin Bronze Powder Coated Aluminum) A (Mill Finish Aluminum) BSP (Black Suede Powder Coated Aluminum)
C (Clear Anodized) D (Dark Bronze Anodized) G (Gold Anodized) WSP (White Suede Powder Coated Aluminum)

800-824-3018 | www.assaabloydooraccessories.us

Check the web site for the up-to-date catalog

Copyright © 2015-2021, ASSA ABLOY Accessories and Door Controls Group, Inc., an ASSA ABLOY Group company. All rights reserved.
Reproduction in whole or in part without the express written permission of ASSA ABLOY Accessories and Door Controls Group, Inc. is prohibited.

ASSA ABLOY
Opening Solutions

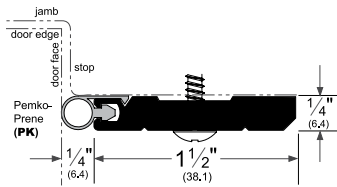
Experience a safer
and more open world

Heavy Duty Perimeter Gasketing - Head Section

- For the head section of the frame where a parallel arm closer bracket or other hardware is required. Supplied undrilled (36") or drilled (80" and above) and supplied with sheet metal screws for mounting
- If used as a stop, flat head machine screws can be provided upon request and take a countersunk #10 hole. Pemko will drill the head member only if drilling instructions for countersink holes are provided
- All gasketing shown below is sold individually

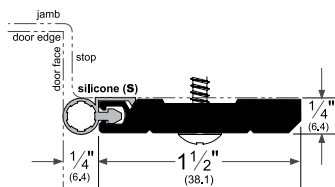
2891_PK

AVAILABLE FINISHES: **10BE, A, BSP, D, G, WSP**
 REPLACEMENT INSERT: **PK47 (BL, GR)**
 ANSI: **R3G164, R3G165**



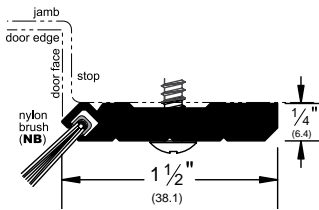
2891_S

AVAILABLE FINISHES: **10BE, A, BSP, D, G, WSP**
 REPLACEMENT INSERT: **S3 (BL, W)**
 ANSI: **R3E164, R3E165**



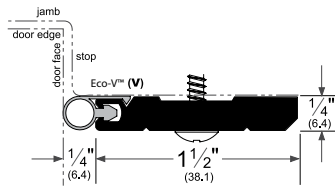
28945_NB

AVAILABLE FINISHES: **10BE, A, BSP, D, G, WSP**
 REPLACEMENT INSERT: **P14050 (BL, GR)**
 ANSI: **R3A164, R3A165**



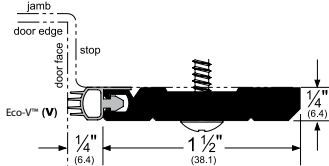
2891_V

AVAILABLE FINISHES: **10BE, A, BSP, D, WSP**
 REPLACEMENT INSERT: **EV47 (BL, GR, W)**



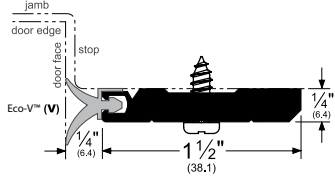
2892_V

AVAILABLE FINISHES: **10BE, A, BSP, D, WSP**
 REPLACEMENT INSERT: **EV59 (BL, GR, W)**



2893_V

AVAILABLE FINISHES: **10BE, A, BSP, D, WSP**
 REPLACEMENT INSERT: **EV60 (GR)**



2891_PK
1 per door standard

290_PK
2 per door standard

When ordering a head section such as 2891_PK, two corresponding side sections (i.e. 290_PK) should also be ordered for the latch and hinge sides of the frame.

NOTE: Products shown in this section may not be drawn to scale.

AVAILABLE FINISHES FOR PRODUCTS SHOWN ON THIS PAGE (see General Information section for finish chart)

10BE (Satin Bronze Powder Coated Aluminum) **A** (Mill Finish Aluminum) **BSP** (Black Suede Powder Coated Aluminum)

D (Dark Bronze Anodized) **G** (Gold Anodized) **WSP** (White Suede Powder Coated Aluminum)

Special finishes available upon request

ASSA ABLOY
Opening Solutions

Experience a safer
and more open world

800-824-3018 | www.assaabloydooraccessories.us

Check the web site for the up-to-date catalog

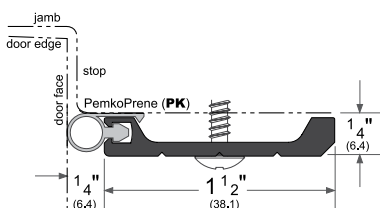
Copyright © 2015-2021, ASSA ABLOY Accessories and Door Controls Group, Inc., an ASSA ABLOY Group company. All rights reserved. Reproduction in whole or in part without the express written permission of ASSA ABLOY Accessories and Door Controls Group, Inc. is prohibited.

Heavy Duty Perimeter Gasketing - Standard Jamb

- For the head section of the frame where a parallel arm closer bracket or other hardware is required. Supplied undrilled (36") or drilled (80" and above) and supplied with sheet metal screws for mounting
- If used as a stop, flat head machine screws can be provided upon request and take a countersunk #10 hole. Pemko will drill the head member only if drilling instructions for countersink holes are provided
- All gasketing shown below is sold individually

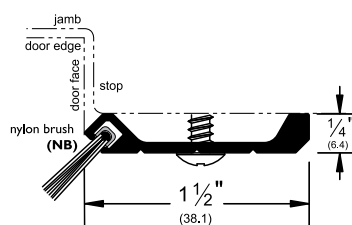
290_PK

AVAILABLE FINISHES: **10BE, A, BSP, D, G, WSP**
 REPLACEMENT INSERT: **PK47 (BL, GR)**
 ANSI: **R3G164, R3G165**



29045_NB

AVAILABLE FINISHES: **10BE, A, BSP, D, G, WSP**
 REPLACEMENT INSERT: **P14050 (BL, GR)**
 ANSI: **R3A164, R3A165**



Alternate Inserts For 290

290_S

AVAILABLE FINISHES: **A, D, G**
 REPLACEMENT INSERT: **S3 (BL, W)**
 ANSI: **R3E164, R3E165**



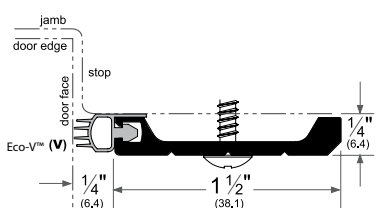
290_V

AVAILABLE FINISHES: **A, D, G**
 REPLACEMENT INSERT: **EV47 (BL, GR, W)**



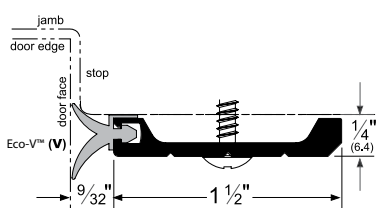
2902_V

AVAILABLE FINISHES: **10BE, A, BSP, D, G, WSP**
 REPLACEMENT INSERT: **EV59 (BL, GR, W)**



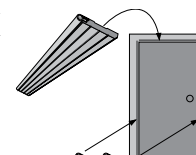
2903_V

AVAILABLE FINISHES: **10BE, A, BSP, D, G, WSP**
 REPLACEMENT INSERT: **EV60 (GR)**



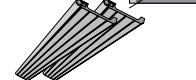
2891_PK

1 per door standard



290_PK

2 per door standard



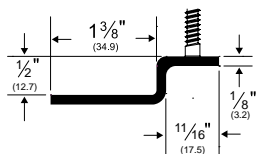
When ordering a head section such as 2891_PK, two corresponding side sections (i.e. 290_PK) should also be ordered for the latch and hinge sides of the frame.

Perimeter Gasket Jamb Brackets

- For use with standard perimeter gasket profiles when opening utilizes a parallel arm closer
- Mount perimeter gasket first, then bracket over the profile. Closer bracket will mount to face of bracket.
- Furnished in paintable galvanized steel (SP) or gray prime coat (G); available in powder coated finishes
- Supplied in 6" lengths

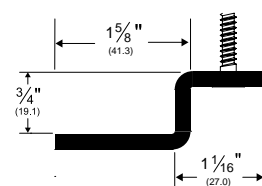
BKT050_

AVAILABLE FINISHES: **10BE, BSP, SP, G, WSP**



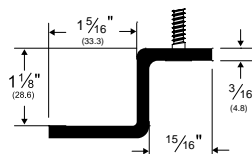
BKT075_

AVAILABLE FINISHES: **10BE, BSP, SP, G, WSP**



BKT1532_

AVAILABLE FINISHES: **10BE, BSP, SP, G, WSP**



NOTE: Products shown in this section may not be drawn to scale.

AVAILABLE FINISHES FOR PRODUCTS SHOWN ON THIS PAGE
 (see General Information section for finish chart)

10BE (Satin Bronze Powder Coated Aluminum) **A** (Mill Finish Aluminum) **BSP** (Black Suede Powder Coated Aluminum)
D (Dark Bronze Anodized) **G** (Gold Anodized) **WSP** (White Suede Powder Coated Aluminum)

AVAILABLE BRACKET FINISHES FOR PRODUCTS SHOWN ON THIS PAGE

G (Gray Prime Painted Steel) **SP** (Galvanized Steel)

800-824-3018 | www.assaabloydooraccessories.us

Check the web site for the up-to-date catalog

Copyright © 2015-2021, ASSA ABLOY Accessories and Door Controls Group, Inc., an ASSA ABLOY Group company. All rights reserved.
 Reproduction in whole or in part without the express written permission of ASSA ABLOY Accessories and Door Controls Group, Inc. is prohibited.

ASSA ABLOY
 Opening Solutions

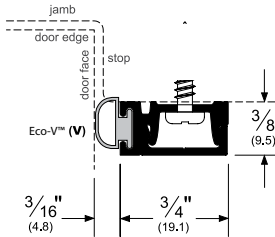
Experience a safer
 and more open world

Snap Cover Perimeter Gasketing With Concealed Fasteners

- Low-profile snap cover conceals mounting screws to provide security and a clean aesthetic appearance
- Cover snaps securely in place to deter vandalism
- All clear anodized brush products are supplied with gray brush (black brush available upon request)

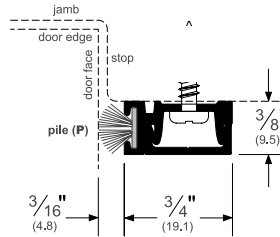
29310_V

AVAILABLE FINISHES: **10BE, BSP, C, D, G, WSP**
REPLACEMENT INSERT: **EV41 (BL, GR, W)**



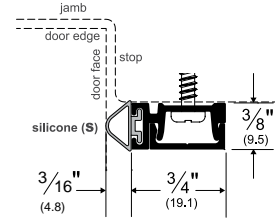
29310_P

AVAILABLE FINISHES: **10BE, BSP, C, D, G, WSP**
REPLACEMENT INSERT: **P2 (BL, GR)**



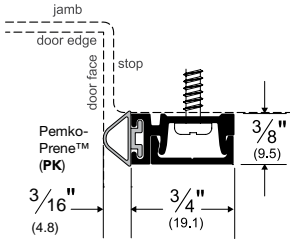
29310_S

AVAILABLE FINISHES: **10BE, BSP, C, D, G, WSP**
REPLACEMENT INSERT: **S4 (BL, GR)**
ANSI: **R3E164, R3E165**



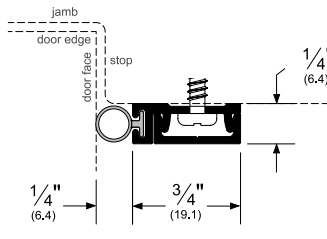
29310_PK

AVAILABLE FINISHES: **10BE, BSP, C, D, G, WSP**
REPLACEMENT INSERT: **PK4 (BL, GR)**
ANSI: **R3G164, R3G165**



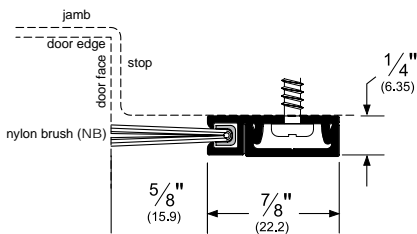
29313_PK

AVAILABLE FINISHES: **10BE, BSP, C, D, G, WSP**
REPLACEMENT INSERT: **PK588 (BL)**



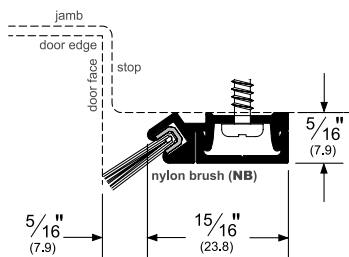
29326_NB

AVAILABLE FINISHES: **10BE, BSP, C, D, G, WSP**
REPLACEMENT INSERT: **P516062 (BL, GR, W)**
ANSI: **R3A164, R3A165**



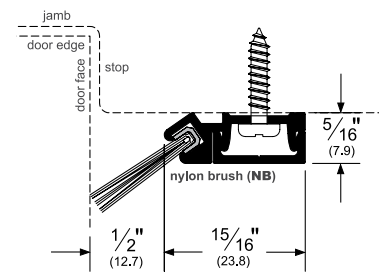
29344_NB

AVAILABLE FINISHES: **10BE, BSP, C, D, G, WSP**
REPLACEMENT INSERT: **P516041 (BL, GR)**
ANSI: **R3A164**



29346_NB

AVAILABLE FINISHES: **10BE, BSP, C, D, G, WSP**
REPLACEMENT INSERT: **P516062 (BL, GR, W)**
ANSI: **R3A164**



NOTE: Products shown in this section may not be drawn to scale.

AVAILABLE FINISHES FOR PRODUCTS SHOWN ON THIS PAGE (see General Information section for finish chart)

10BE (Satin Bronze Powder Coated Aluminum) **BSP** (Black Suede Powder Coated Aluminum) **C** (Clear Anodized) **D** (Dark Bronze Anodized) **G** (Gold Anodized) **WSP** (White Suede Powder Coated Aluminum)

800-824-3018 | www.assaabloydooraccessories.us

Check the web site for the up-to-date catalog

ASSA ABLOY
Opening Solutions

Experience a safer
and more open world

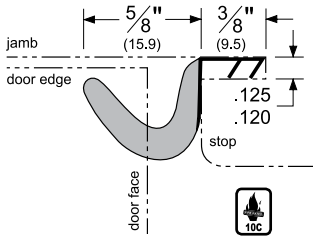
Kerf-In Weatherstrip

Foam

- Pemko's "Q" foam kerf-in weatherstrip is constructed from soft cell foam enclosed by an embossed, tear-resistant, low-friction, UV-stable polyethylene cover
- Includes rigid PVC insert with extended flange for fast and easy kerf installation

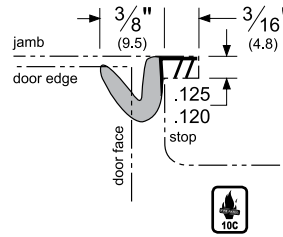
Q102_

AVAILABLE FINISHES: **BL, D, W**
 AVAILABLE LENGTHS: **36", 85", 97", 121"**
 Minimum space between the door face and the stop is $\frac{5}{16}$ "; maximum space is $\frac{1}{2}$ "



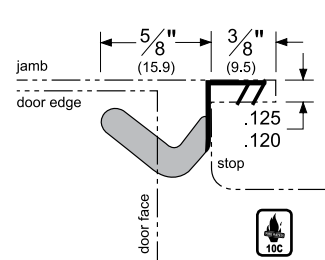
Q103_

AVAILABLE FINISHES: **BL, D, W**
 AVAILABLE LENGTHS: **36", 85", 97", 121"**
 Minimum space between the door face and the stop is $\frac{3}{16}$ "; maximum space is $\frac{5}{16}$ "



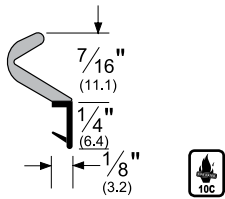
Q106_

AVAILABLE FINISHES: **D, W**
 AVAILABLE LENGTHS: **36", 85", 97", 121"**
 Minimum space between the door face and the stop is $\frac{5}{16}$ "; maximum space is $\frac{1}{2}$ "



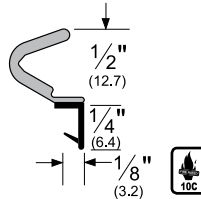
Q107_

AVAILABLE FINISHES: **BL, W**
 Minimum space between the door face and the stop is $\frac{1}{8}$ "; maximum space is $\frac{7}{16}$ "
 Sold per foot (specify length)



Q108_

AVAILABLE FINISHES: **BL, W**
 Minimum space between the door face and the stop is $\frac{1}{8}$ "; maximum space is $\frac{1}{2}$ "
 Sold per foot (specify length)

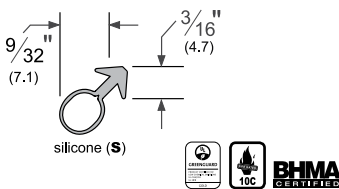


Silicone

- Extruded from platinum cross-linked silicon
- Self-extinguishing and non-toxic
- Unaffected by sunlight, ozone, and ultraviolet rays
- Impervious to fungus and mildew; will not deteriorate under normal exposure
- Available in 100ft lengths

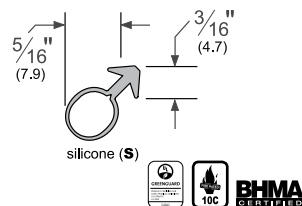
S104_100

AVAILABLE FINISHES: **D, W**
 ANSI: **R0E156**
 Minimum space between the door face and the stop is $\frac{1}{16}$ "; maximum space is $\frac{1}{4}$ "



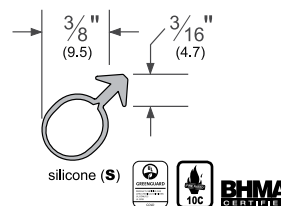
S109_100

AVAILABLE FINISHES: **D, W**
 ANSI: **R0E156**
 Minimum space between the door face and the stop is $\frac{1}{16}$ "; maximum space is $\frac{1}{4}$ "



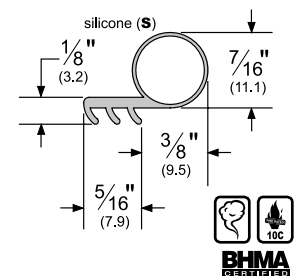
S105_100

AVAILABLE FINISHES: **D, W**
 ANSI: **R0E156**
 Minimum space between the door face and the stop is $\frac{1}{16}$ "; maximum space is $\frac{3}{8}$ "



S52_100

AVAILABLE FINISHES: **BL, W**
 ANSI: **R0E154**
 Minimum space between the door face and the stop is $\frac{1}{16}$ "; maximum space is $\frac{3}{8}$ "



NOTE: Products shown in this section may not be drawn to scale.

AVAILABLE FINISHES FOR PRODUCTS SHOWN ON THIS PAGE (see General Information section for finish chart)
BL (Black) **D** (Dark Brown) **W** (White)

800-824-3018 | www.assaabloydooraccessories.us
 Check the web site for the up-to-date catalog

Copyright © 2015-2021, ASSA ABLOY Accessories and Door Controls Group, Inc., an ASSA ABLOY Group company. All rights reserved.
 Reproduction in whole or in part without the express written permission of ASSA ABLOY Accessories and Door Controls Group, Inc. is prohibited.

ASSA ABLOY
 Opening Solutions

Experience a safer
 and more open world

Kerf-In Weatherstrip (Cont.)

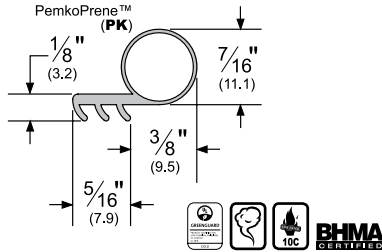
PK52

AVAILABLE FINISHES: **BL, W**

ANSI: **ROG154**

AVAILABLE LENGTHS: **18', 20', 300'**

- Minimum space between the door face and the stop is $\frac{1}{16}$ "; maximum space is $\frac{3}{8}$ "

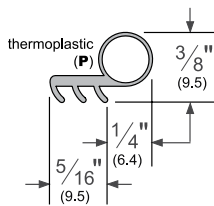


P50

AVAILABLE FINISHES: **BL, W**

AVAILABLE LENGTHS: **17', 25', 250'**

- Minimum space between the door face and the stop is $\frac{1}{16}$ "; maximum space is $\frac{3}{16}$ "
- Thermoplastic elastomer formulation will not transmigrate; remains flexible to -60°F

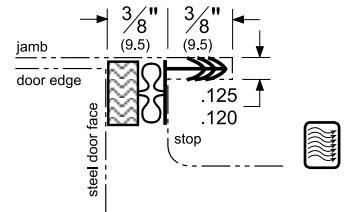


MAG349

AVAILABLE FINISHES: **D, W**

AVAILABLE LENGTHS: **37", 85", 96", 121"**

- Minimum space between the door face and the stop is $\frac{3}{8}$ "; maximum space is $\frac{7}{16}$ "
- Magnetic kerf-in weatherstrip features a magnetic strip encased by a UV-stable TPE cover
- Use for steel-faced door and wood frame applications
- Can be trimmed in the field and corner-mitered

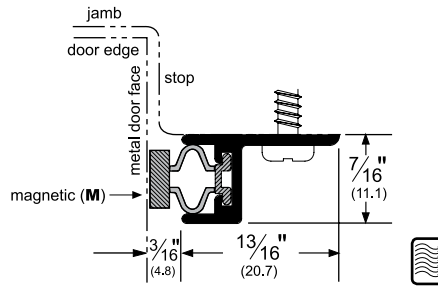


Magnetic Weatherstrip

2815_M

AVAILABLE FINISHES: **C, D, G**

REPLACEMENT INSERT: **2815MAG**



Adhesive Perimeter Gasketing

For more information on these perimeter gasketing products, please see the Adhesive Gasketing section.

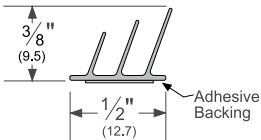
S773

AVAILABLE FINISHES: **BL, D, GR, W**

AVAILABLE LENGTHS: **17', 18', 20', 21', 25', 30', 250', 500'**

ANSI: **ROE154, ROE155**

- Triple-fin design blocks light and sound from infiltrating a room
- Product designed as hospitality gasketing (see more hospitality products in the Hospitality Products section)
- Seal begins compressing at $\frac{3}{8}$ "; compresses to seal up to a $\frac{1}{16}$ " gap



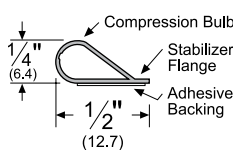
S88

AVAILABLE FINISHES: **BL, C, D, GR, TAN, W**

AVAILABLE LENGTHS: **17', 18', 20', 21', 25', 30', 204', 510'**

ANSI: **ROE154, ROE155**

- Seal begins compressing at $\frac{1}{4}$ "; compresses to seal up to a $\frac{1}{16}$ " gap
- Available with perforations for Behavioral Health applications. Substitute "P" in place of "S" to order this option.



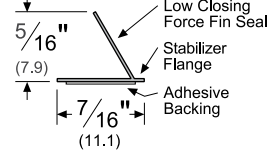
S44

AVAILABLE FINISHES: **BL, C, D, GR, W**

AVAILABLE LENGTHS: **17', 18', 20', 21', 25', 30', 204', 510'**

ANSI: **ROE154, ROE155**

- Designed for tighter frames.
- Demonstrates extremely low closing force.
- Seal begins compressing at $\frac{9}{16}$ "; compresses to seal up to a $\frac{1}{16}$ " gap
- Available with perforations for Behavioral Health applications. Substitute "P" in place of "S" to order this option.



NOTE: Products shown in this section may not be drawn to scale.

AVAILABLE FINISHES FOR PRODUCTS SHOWN ON THIS PAGE (see General Information section for finish chart)
Adhesive Gasketing Colors: **BL** (Black) **C** (Clear) **D** (Dark Brown) **GR** (Light Gray) **TAN** (Tan) **W** (White)

ASSA ABLOY
Opening Solutions

Experience a safer
and more open world

800-824-3018 | www.assaabloydooraccessories.us

Check the web site for the up-to-date catalog

Copyright © 2015-2021, ASSA ABLOY Accessories and Door Controls Group, Inc., an ASSA ABLOY Group company. All rights reserved. Reproduction in whole or in part without the express written permission of ASSA ABLOY Accessories and Door Controls Group, Inc. is prohibited.

Adhesive Perimeter Gasketing (Cont.)

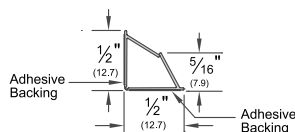
For more information on these perimeter gasketing products, please see the Adhesive Gasketing section.

S442_

AVAILABLE FINISHES: **BL, D, W**
 AVAILABLE LENGTHS: **17', 18', 20', 21', 25', 30', 510'**

ANSI: **R0E154, R0E155**

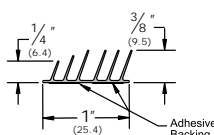
- Fits flush into corner
- Seal begins compressing at $\frac{5}{16}$ "; compresses to seal up to a $\frac{1}{16}$ " gap



S776_

AVAILABLE FINISHES: **BL**
 AVAILABLE LENGTHS: **17', 18', 20', 21', 25', 30'**
 ANSI: **R0E154, R0E155**

- Designed for hollow metal and wood meeting stile applications
- Seal begins compressing at $\frac{3}{8}$ "; compresses to seal up to a $\frac{1}{16}$ " gap

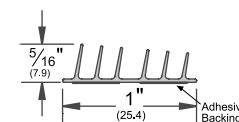


S771x6_

AVAILABLE FINISH: **BL**
 AVAILABLE LENGTHS: **7', 8', 10', 17', 18', 20', 21', 25'**

ANSI: **R0E154, R0E155**

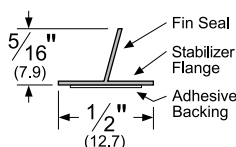
- Designed for hollow metal and wood meeting stile applications
- Seal begins compressing at $\frac{5}{16}$ "; compresses to seal up to a $\frac{1}{16}$ " gap



S77_

AVAILABLE FINISHES: **C, BL, D, W**
 AVAILABLE LENGTHS: **17', 18', 20', 21', 25', 30', 510'**
 ANSI: **R0E154, R0E155**

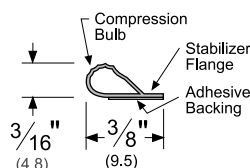
- Designed for hollow metal and wood meeting stile applications.
- Seal begins compressing at $\frac{5}{16}$ "; compresses to seal up to a $\frac{1}{16}$ " gap



PK33_

AVAILABLE FINISHES: **BL, D, W**
 AVAILABLE LENGTHS: **17', 18', 20', 21', 25', 30', 510'**
 ANSI: **R0G154, R0G155**

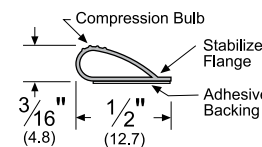
- Designed for tighter frames.
- Demonstrates extremely low closing force.
- Seal begins compressing at $\frac{3}{16}$ "; compresses to seal up to a $\frac{1}{16}$ " gap



PK55_

AVAILABLE FINISHES: **BL, D, W**
 AVAILABLE LENGTHS: **17', 18', 20', 21', 25', 30', 510'**
 ANSI: **R0G154, R0G155**

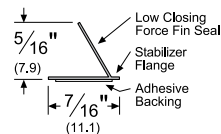
- Designed for tighter frames.
- Demonstrates extremely low closing force.
- Seal begins compressing at $\frac{3}{16}$ "; compresses to seal up to a $\frac{1}{16}$ " gap



MicroShield® Antimicrobial Adhesive Gasketing

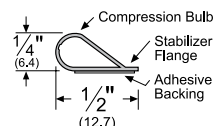
AM44_

AVAILABLE FINISHES: **BL, C, D, W**
 AVAILABLE LENGTHS: **17', 18', 20', 21', 25', 30', 510'**
 ANSI: **R8E154, R0E155**



AM88_

AVAILABLE FINISHES: **BL, C, D, W**
 AVAILABLE LENGTHS: **17', 18', 20', 21', 25', 30', 510'**
 ANSI: **R8E154, R0E155**



NOTES FOR ALL ADHESIVE GASKETING:

Storage and shelf life: All adhesive gaskets have a limited shelf life. This product must be installed within 6 months of purchase and must be stored between 50°F and 100°F. For further notes/details, please see Adhesive Gasketing section.

NOTE: Products shown in this section may not be drawn to scale.

AVAILABLE FINISHES FOR PRODUCTS SHOWN ON THIS PAGE (see General Information section for finish chart)

Adhesive Gasketing Colors: **BL** (Black) **C** (Clear) **D** (Dark Brown) **GR** (Light Gray) **W** (White)

800-824-3018 | www.assaabloydooraccessories.us

Check the web site for the up-to-date catalog

Copyright © 2015-2021, ASSA ABLOY Accessories and Door Controls Group, Inc., an ASSA ABLOY Group company. All rights reserved. Reproduction in whole or in part without the express written permission of ASSA ABLOY Accessories and Door Controls Group, Inc. is prohibited.

ASSA ABLOY
 Opening Solutions

Experience a safer
 and more open world

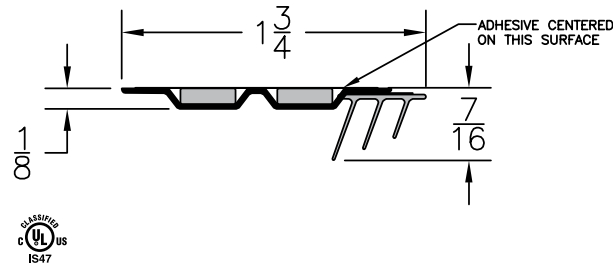
Excessive Gap Perimeter Solution

XG90KIT

- Brings fire-rated doors with excessive vertical and head gaps back into spec - up to 3/8"
- UL Classified for 90-minutes
- Kit includes both products shown below

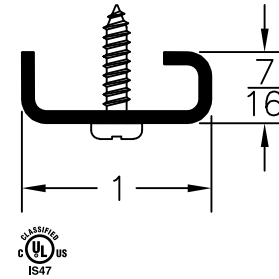
HSS20XGxS773

- Pressure sensitive adhesive backing
- AVAILABLE FINISH: **BL, W**



XG900

- 16ga galvanized steel
 - Can be screw applied or welded to metal frame if welded, specify with "no holes" for clean appearance
 - Can be field painted to match the frame
- AVAILABLE FINISH: **SP, SPBSP, SPWSP, SP10BE**



Interlock Weatherstrip For Wood Windows

Corrugated Rib Strips

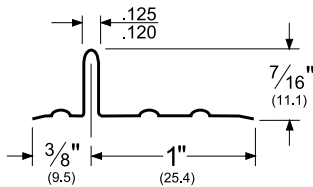
- Corrugated rib strips are made from .015" spring bronze (B) or .0172" galvanized steel (Z)
- 4C and 6C are only available in 96" lengths

4C (1 3/8" width)

AVAILABLE FINISHES: **B, Z**

6C (1 7/8" width)

AVAILABLE FINISH: **Z**



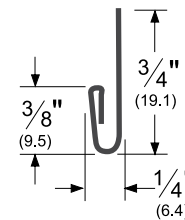
4C (1 3/8" width) shown above; also available in 6C (1 7/8" width) in galvanized steel (Z) only

Flat Hooks

- 10 Flat hooks are made from .026" spring bronze (B) or .0172" galvanized steel (Z)

10

AVAILABLE FINISHES: **B, Z**
AVAILABLE LENGTHS: **96"**



Plain Rib Strips

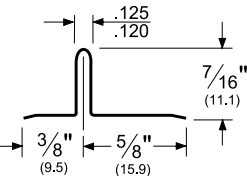
- Plain rib strips are made from .015" spring bronze (B) or .0172" galvanized steel (Z)

2P (1" width)

AVAILABLE FINISHES: **B, Z**

4P (1 3/8" width)

AVAILABLE FINISHES: **B, Z**



2P (1" width) shown at left; also available in 4P (1 3/8" width). 2P and 4P available in 96" lengths only

NOTE: Products shown in this section may not be drawn to scale.

AVAILABLE FINISHES FOR PRODUCTS SHOWN ON THIS PAGE (see General Information section for finish chart)

10BE (Satin Bronze Powder) **A** (Mill Finish Aluminum) **B** (Bronze) **BSP** (Black Suede Powder)

D (Dark Bronze Anodized Aluminum) **SP** (Galvanized Steel) **WSP** (White Suede Powder) **Z** (Galvanized Steel)

ASSA ABLOY
Opening Solutions

Experience a safer
and more open world

800-824-3018 | www.assaabloydooraccessories.us

Check the web site for the up-to-date catalog

Copyright © 2015-2021, ASSA ABLOY Accessories and Door Controls Group, Inc., an ASSA ABLOY Group company. All rights reserved. Reproduction in whole or in part without the express written permission of ASSA ABLOY Accessories and Door Controls Group, Inc. is prohibited.

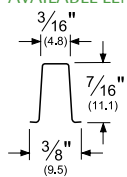
Interlock Weatherstrip For Wood Doors

- Fasteners available at additional cost

Liner Strip

- Made from .008" spring bronze (B)

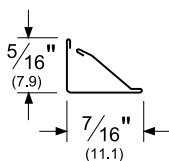
_30
 AVAILABLE FINISH: **B**
 AVAILABLE LENGTHS: **96"**



Lock Strip

- Made from .008" spring bronze (B)

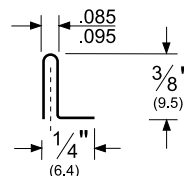
_331
 AVAILABLE FINISH: **B**
 AVAILABLE LENGTHS: **6", 96"**



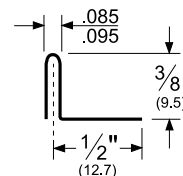
"L" Metal

- Bronze or zinc-plated wafer head drive screws available for _41M (sold separately)

_41M
 AVAILABLE FINISHES: **B, Z**
 AVAILABLE LENGTHS: **96"**



_43
 AVAILABLE FINISH: **B**
 AVAILABLE LENGTHS: **96"**

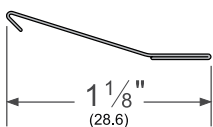


Cushion/Spring Weatherstrip for Wood or Metal Doors and Windows

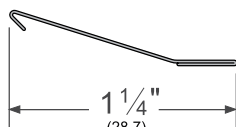
Spring Bronze - Wood Doors/Windows

- Spring bronze weatherstrip fits wood doors and wood casement windows
- Made from .008" hemmed spring bronze/brass (B)
- Nails should be approximately 1 1/2" on center (sold separately)

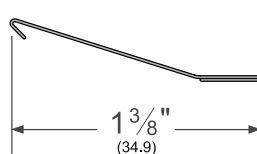
_70C-100
 AVAILABLE FINISH: **B**
 AVAILABLE LENGTHS: **100'**



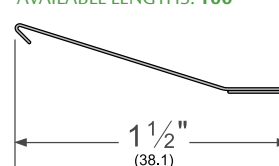
_70D-100
 AVAILABLE FINISH: **B**
 AVAILABLE LENGTHS: **100'**



_70E-100
 AVAILABLE FINISH: **B**
 AVAILABLE LENGTHS: **100'**



_70F-100
 AVAILABLE FINISH: **B**
 AVAILABLE LENGTHS: **100'**



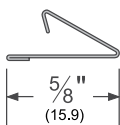
P51B17

P51B17 is 17 feet of _70C
 Packaged with nails

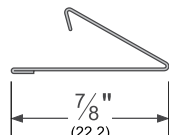
Cushion ("V") - Wood or Metal Doors

- Cushion weatherstrip fits wood or metal doors
- Made from .008" hemmed spring bronze/brass (B)
- Nails should be approximately 3" on center (sold separately)
- Gap coverage is 1/8" minimum to 3/16" maximum

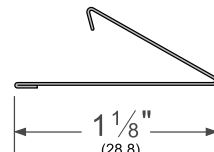
_73
 AVAILABLE FINISH: **B**
 AVAILABLE LENGTHS: **96"**



_74
 AVAILABLE FINISH: **B**
 AVAILABLE LENGTHS: **96"**



_75
 AVAILABLE FINISH: **B**
 AVAILABLE LENGTHS: **96"**



Fasteners for Cushion, Spring and Interlock Weatherstrip

- Fasteners for cushion, spring, and interlock weatherstrip are sold separately unless otherwise specified

NL1678_
 AVAILABLE FINISHES: **BL, BP, Z**
 For Wood: #16 x 7/8" flat head nail



NL1634_
 AVAILABLE FINISHES: **BB, SS**
 For Wood: #16 x 3/4" flat head nail



NL13516_
 AVAILABLE FINISHES: **BP, Z**
 For Metal: #13 x 5/16" wafer head drive screw



800-824-3018 | www.assaabloydooraccessories.us
 Check the web site for the up-to-date catalog

Copyright © 2015-2021, ASSA ABLOY Accessories and Door Controls Group, Inc., an ASSA ABLOY Group company. All rights reserved.
 Reproduction in whole or in part without the express written permission of ASSA ABLOY Accessories and Door Controls Group, Inc. is prohibited.

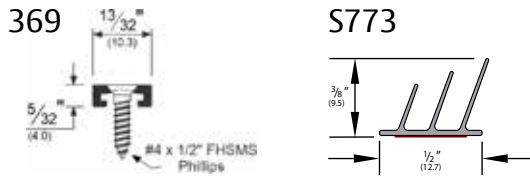
ASSA ABLOY
 Opening Solutions

Experience a safer
 and more open world

Privacy Seals for Sliding Doors

PEMKOSFSET1

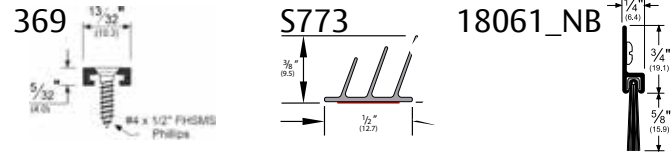
- Will seal gaps 1/8 to 3/8" for barn door sliding hardware
- Works with any sliding door hardware
- Requires 1/2" frame to keep the gasket from marring the wall



Standard Kit Sizes		
Finish	Product	Color
C	369C	Clear Anodized
	S773GR	Gray
D	369D	Dark Bronze Anodized
	S773BL	Black
PW	369C	Clear Anodized
	S773PW	White

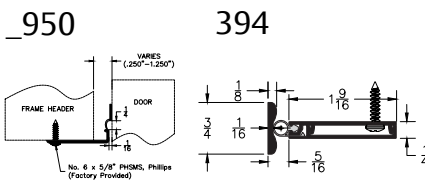
PEMKOSFSET2

- Will seal gaps 1/8 to 3/8" for barn door sliding hardware
- Works with any sliding door hardware
- Requires 1/2" frame to keep the gasket from marring the wall
- Includes a surface mounted bottom seal



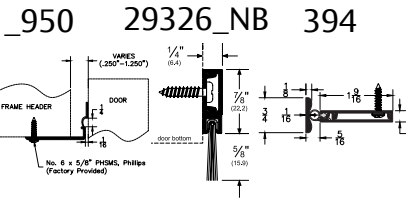
Standard Kit Sizes		
Finish	Product	Color
C	369C	Clear Anodized
	S773GR	Gray
	18061CNB	Clear Anodized, Gray Brush
D	369D	Dark Bronze Anodized
	S773BL	Black
	18061DNB	Dark Bronze Anodized, Black Brush
PW	369C	Clear Anodized
	S773PW	White
	18061PWNB	Painted White

PEMKOSFSET3



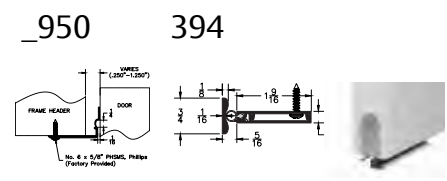
Standard Kit Sizes		
Finish	Product	Color
10BE	29394-10BE-PK	Satin Bronze Powder Coat with Black PemkoPrene™
	394-10BE	Satin Bronze Powder Coat
	950-10BE	Satin Bronze Powder Coat
	PY900BL	Black
C	29394CPK	Clear Anodized with Black PemkoPrene™
	394C	Clear Anodized
	950C	Clear Anodized
	PY900BL	Black
BSP	29394BSPPK	Black Suede Powder Coat with Black PemkoPrene™
	394BSP	Black Suede Powder Coat
	950BSP	Black Suede Powder Coat
	PY900BL	Black
D	29394DPK	Dark Bronze Anodized with Black PemkoPrene™
	394D	Dark Bronze Anodized
	950D	Dark Bronze Anodized
	PY900BL	Black
WSP	29394WSPPK	White Suede Powder Coat with Black PemkoPrene™
	394WSP	White Suede Powder Coat
	950WSP	White Suede Powder Coat
	PY900BL	Black

PEMKOSFSET4



Standard Kit Sizes		
Finish	Product	Color
10BE	29394-10BE-PK	Satin Bronze Powder Coat with Black PemkoPrene™
	394-10BE	Satin Bronze Powder Coat
	950-10BE	Satin Bronze Powder Coat
	PY900BL	Black
C	29326-10BE-NB	Satin Bronze Powder Coat with Black Nylon Brush
	29394CPK	Clear Anodized with Black PemkoPrene™
	394C	Clear Anodized
	950C	Clear Anodized
BSP	29326CNB	Clear Anodized with Gray Nylon Brush
	29394BSPPK	Black Suede Powder Coat with Black PemkoPrene™
	394BSP	Black Suede Powder Coat
	950BSP	Black Suede Powder Coat
D	29326BSPNB	Black Suede Powder Coat with Black Nylon Brush
	29394DPK	Dark Bronze Anodized with Black PemkoPrene™
	394D	Dark Bronze Anodized
	950D	Dark Bronze Anodized
WSP	29326DNB	Dark Bronze Anodized with Black Nylon Brush
	29394WSPPK	White Suede Powder Coat with Black PemkoPrene™
	394WSP	White Suede Powder Coat
	950WSP	White Suede Powder Coat
WSP	PY900BL	Black
	29326WSPNB	White Suede Powder Coat with White Nylon Brush

PEMKOSFSET5



Standard Kit Sizes		
Finish	Product	Color
10BE	29394-10BE-PK	Satin Bronze Powder Coat with Black PemkoPrene™
	394-10BE	Satin Bronze Powder Coat
	950-10BE	Satin Bronze Powder Coat
	PY900BL	Black
C	SN-RD-A	Aluminum with Black Silicone
	29394CPK	Clear Anodized with Black PemkoPrene™
	394C	Clear Anodized
	950C	Clear Anodized
BSP	SN-RD-A	Aluminum with Black Silicone
	29394BSPPK	Black Suede Powder Coat with Black PemkoPrene™
	394BSP	Black Suede Powder Coat
	950BSP	Black Suede Powder Coat
D	SN-RD-A	Aluminum with Black Silicone
	29394DPK	Dark Bronze Anodized with Black PemkoPrene™
	394D	Dark Bronze Anodized
	950D	Dark Bronze Anodized
WSP	SN-RD-A	Aluminum with Black Silicone
	29394WSPPK	White Suede Powder Coat with Black PemkoPrene™
	394WSP	White Suede Powder Coat
	950WSP	White Suede Powder Coat
WSP	PY900BL	Black
	SN-RD-A	Aluminum with Black Silicone

ASSA ABLOY
Opening Solutions

Experience a safer
and more open world

800-824-3018 | www.assaabloydooraccessories.us
Check the web site for the up-to-date catalog



Pemko Adhesive Gasketing

CONTENTS:

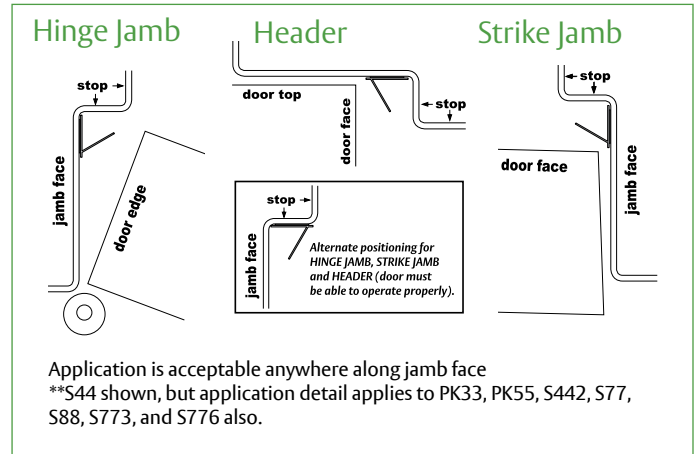
SiliconSeal Adhesive-Backed Fire/Smoke Gasketing	204
PemkoPrene® Adhesive-Backed Fire/Smoke Gasketing	205
SiliconSeal Adhesive-Backed Meeting Stile Gasketing	205
MicroShield® Antimicrobial Gasketing	206
Hot Smoke Seal/SiliconSeal Combination Fire/Smoke Sealing	206

INDEX:

<u>PRODUCT</u>	<u>PAGE</u>	<u>PRODUCT</u>	<u>PAGE</u>
AM44	206	S442	204
AM88	206	S77	204
HSS1000	206	S88	204
HSS2000	206	S771	205
HSS2000xS44	206	S771x6	205
HSS2000xS88	205	S772	205
PK33	205	S773	204
PK55	205	S776	204
S44	204		

SiliconSeal Adhesive-Backed Fire/Smoke Gasketing

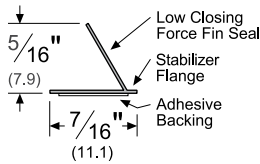
- SiliconSeal is extruded from high-temperature silicone; effective between -58°F and 450°F
- Self-extinguishing and non-toxic; unaffected by sunlight, ozone, and ultraviolet rays
- Impervious to fungus and mildew; will not deteriorate under normal exposure
- Meets FAR 25.853 Airworthiness Standards for Compartment Interiors



S44_

AVAILABLE FINISHES: **BL, C, D, GR, W**
 AVAILABLE LENGTHS: 17', 18', 20', 21', 25', 30', 204', 510'
 ANSI: **R0E154, R0E155**

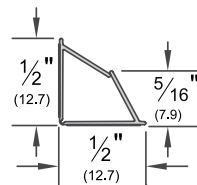
- Designed for tighter frames
- Demonstrates extremely low closing force
- Seal begins compressing at $\frac{5}{16}$ "; compresses to seal up to a $\frac{1}{16}$ " gap



S442_

AVAILABLE FINISHES: **BL, D, W**
 AVAILABLE LENGTHS: 17', 18', 20', 21', 25', 30', 510'
 ANSI: **R0E154, R0E155**

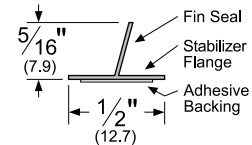
- Fits flush into corner
- Seal begins compressing at $\frac{5}{16}$ "; compresses to seal up to a $\frac{1}{16}$ " gap in either direction



S77_

AVAILABLE FINISHES: **BL, C, D, W**
 AVAILABLE LENGTHS: 17', 18', 20', 21', 25', 30', 204', 500'
 ANSI: **R0E154, R0E155**

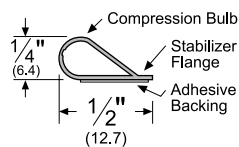
- Designed for hollow metal and wood meeting stile applications
- Seal begins compressing at $\frac{5}{16}$ "; compresses to seal up to a $\frac{1}{16}$ " gap



S88_

AVAILABLE FINISHES: **BL, C, D, GR, TAN, W**
 AVAILABLE LENGTHS: 17', 18', 20', 21', 25', 30', 204', 510'
 ANSI: **R0E154, R0E155**

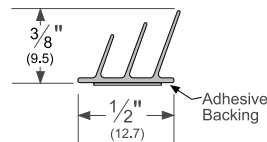
- Seal begins compressing at $\frac{1}{4}$ "; compresses to seal up to a $\frac{1}{16}$ " gap



S773_

AVAILABLE FINISHES: **BL, D, GR, W**
 AVAILABLE LENGTHS: 17', 18', 20', 21', 25', 30', 250', 500'
 ANSI: **R0E154, R0E155**

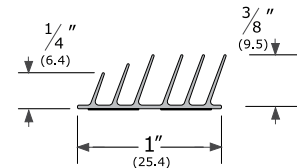
- Triple-fin design effectively blocks light and sound from infiltrating a room
- Seal begins compressing at $\frac{3}{8}$ "; compresses to seal up to a $\frac{1}{16}$ " gap



S776_

AVAILABLE FINISHES: **BL**
 AVAILABLE LENGTHS: 17', 18', 20', 21', 25', 30'
 ANSI: **R0E154, R0E155**

- Designed for hollow metal and wood meeting stile applications
- Seal begins compressing at $\frac{3}{8}$ "; compresses to seal up to a $\frac{1}{16}$ " gap



AVAILABLE FINISHES FOR PRODUCTS SHOWN ON THIS PAGE (see General Information section for finish chart)
BL (Black) **C** (Clear) **D** (Dark Brown) **GR** (Light Gray) **TAN** (Tan) **W** (White)

ASSA ABLOY
 Opening Solutions

Experience a safer
 and more open world

800-824-3018 | www.assaabloydooraccessories.us
 Check the web site for the up-to-date catalog

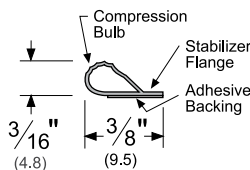
Copyright © 2015-2021, ASSA ABLOY Accessories and Door Controls Group, Inc., an ASSA ABLOY Group company. All rights reserved.
 Reproduction in whole or in part without the express written permission of ASSA ABLOY Accessories and Door Controls Group, Inc. is prohibited.

PemkoPrene® Adhesive-Backed Fire/Smoke Gasketing

PK33_

AVAILABLE FINISHES: **BL, D, W**
 AVAILABLE LENGTHS: 17', 18', 20', 21', 25', 30', 510'
 ANSI: **R0G154, R0G155**

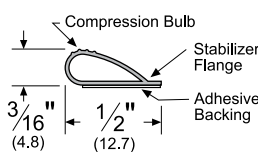
- Designed for tighter frames
- Demonstrates extremely low closing force
- Seal begins compressing at $\frac{3}{16}$ "; compresses to seal up to a $\frac{1}{16}$ " gap



PK55_

AVAILABLE FINISHES: **BL, D, W**
 AVAILABLE LENGTHS: 17', 18', 20', 21', 25', 30', 510'
 ANSI: **R0G154, R0G155**

- Designed for tighter frames
- Demonstrates extremely low closing force
- Seal begins compressing at $\frac{3}{16}$ "; compresses to seal up to a $\frac{1}{16}$ " gap

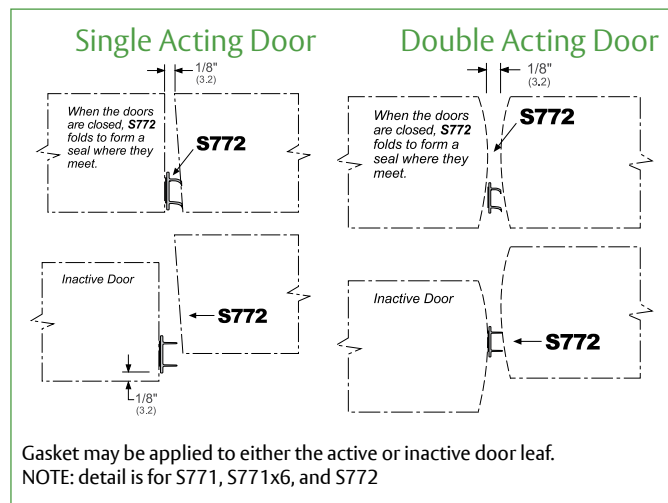
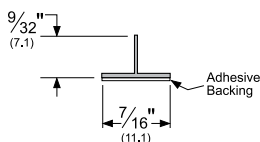


SiliconSeal Adhesive-Backed Meeting Stile Gasketing

- Excellent resistance to compression set, particularly at elevated temperatures and for extended periods of time
- Outstanding ozone resistance rating
- Smoke tested in accordance with UL1784-01; meets the requirements of NFPA 105 "Standard for the Installation of Smoke Door Assemblies and Other Opening Protectives"

S771_

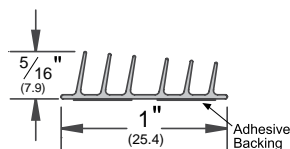
AVAILABLE FINISHES: **BL, C, D, GR, W**
 AVAILABLE LENGTHS: 7', 8', 9', 10'
 ANSI: **R0E154, R0E155, R0E754, R0E755**



S771x6_

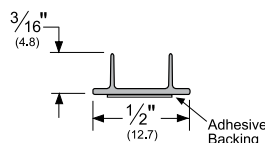
AVAILABLE FINISHES: **BL**
 AVAILABLE LENGTHS: 7', 8', 9', 10'
 ANSI: **R0E154, R0E155, R0E754, R0E755**

- Designed for hollow metal and wood meeting stile applications
- Seal begins compressing at $\frac{5}{16}$ "; compresses to seal up to a $\frac{1}{16}$ " gap



S772_

AVAILABLE FINISHES: **BL, C, D, GR, W**
 AVAILABLE LENGTHS: 7', 8', 9', 10'
 ANSI: **R0E154, R0E155, R0E754, R0E755**



AVAILABLE FINISHES FOR PRODUCTS SHOWN ON THIS PAGE (see General Information section for finish chart)
BL (Black) **C** (Clear) **D** (Dark Brown) **GR** (Light Gray) **W** (White)

800-824-3018 | www.assaabloydooraccessories.us
 Check the web site for the up-to-date catalog

Copyright © 2015-2021, ASSA ABLOY Accessories and Door Controls Group, Inc., an ASSA ABLOY Group company. All rights reserved.
 Reproduction in whole or in part without the express written permission of ASSA ABLOY Accessories and Door Controls Group, Inc. is prohibited.

ASSA ABLOY
 Opening Solutions

Experience a safer
 and more open world

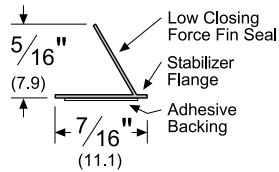
MicroShield® Antimicrobial Gasketing

- Extruded from high-temperature silicone with MicroShield®, a silver-based antimicrobial additive
- Effective between -58°F and 450°F
- Adhesive Backed

- Self-extinguishing and non-toxic
- Unaffected by sunlight, ozone and ultraviolet rays
- Exceeds the requirements for Antimicrobial Test JIS-Z-2801

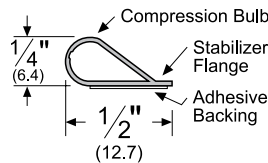
AM44

AVAILABLE FINISHES: **BL, C, D, W**
 AVAILABLE LENGTHS: **17', 18', 20', 21', 25', 30', 510'**
 ANSI: **ROE154, ROE155**



AM88

AVAILABLE FINISHES: **BL, C, D, W**
 AVAILABLE LENGTHS: **17', 18', 20', 21', 25', 30', 510'**
 ANSI: **ROE154, ROE155**



MicroShield®
 As part of their promise to provide innovative solutions to their customers, certain ASSA ABLOY Group brands offer the MicroShield® technology, a silver-based antimicrobial additive designed to inhibit the growth of bacteria.

MicroShield® is a registered trademark of Yale Security Inc., an ASSA ABLOY Group company.

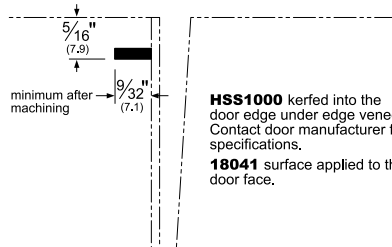
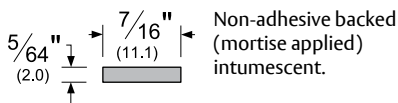
Hot Smoke Seal/SiliconSeal Combination Fire/Smoke Sealing

- Chemically inert, highly stable, expandable graphite strip
- Tested and proven in positive pressure conditions to withstand both hot smoke and hot gasses, resulting in longer integrity of the door assembly
- More economical to use than specially modified doors in "tested assembly only" classifications

- Hot Smoke Seal can be painted to blend in with the finish of a frame
- Will not degrade from carbon dioxide and ozone like many competitive intumescent from other manufacturers
- Unaffected by moisture and will not break down like fiber-based or cellulose-based products

HSS1000

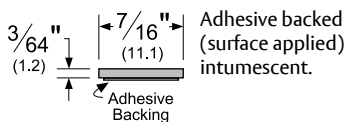
AVAILABLE FINISHES: Graphite (no finish code)
 AVAILABLE LENGTHS: **7', 8', 10', 18', 21', 24'**
 ANSI: **ROP124**



HSS1000 kerfed into the door edge under edge veneer. Contact door manufacturer for specifications.
18041 surface applied to the door face.

HSS2000

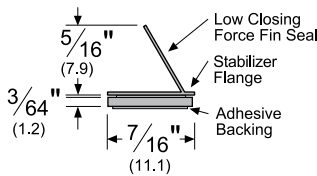
AVAILABLE FINISHES: Graphite (no finish code)
 AVAILABLE LENGTHS: **7', 8', 10', 18', 21', 24'**
 ANSI: **ROP154**



HSS2000xS44

AVAILABLE FINISHES: **BL, C, D, GR, W**
 AVAILABLE LENGTHS: **18', 20', 21', 24'**
 20' lengths can be supplied in 4-0 x 8-0 or 6-0 x 7-0. Specify when ordering
 ANSI: **ROU154, ROU155**

- Compresses to seal a gap up to 1/8"



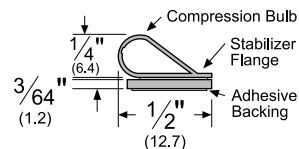
Notes For All Adhesive Gasketing:

Storage and shelf life: All adhesive gaskets have a limited shelf life. This product must be installed within 6 months of purchase and must be stored between 50°F and 100°F.
 Before installing: Thoroughly clean the frame to remove grease, dust or cleanser build-up (cleansing towelettes are included with product). Painted frame surface must be completely dry. Some hospital environments have wax or anti-bacterial cleanser build-up. As an alternative or substitute cleanser, use isopropyl (rubbing) alcohol. Note: Mineral spirits or other petroleum based cleaning products should NOT be used.

HSS2000xS88

AVAILABLE FINISHES: **BL, C, D, GR, TAN, W**
 AVAILABLE LENGTHS: **18', 20', 21', 24'**
 20' lengths can be supplied in 4-0 x 8-0 or 6-0 x 7-0. Specify when ordering
 ANSI: **ROU154, ROU155**

- Compresses to seal a gap up to 1/8"



AVAILABLE FINISHES FOR PRODUCTS SHOWN ON THIS PAGE (see General Information section for finish chart)
BL (Black) **C** (Clear) **D** (Dark Brown) **GR** (Light Gray) **TAN** (Tan) **W** (White)

ASSA ABLOY
 Opening Solutions

Experience a safer
 and more open world

800-824-3018 | www.assaabloydooraccessories.us

Check the web site for the up-to-date catalog

Copyright © 2015-2021, ASSA ABLOY Accessories and Door Controls Group, Inc., an ASSA ABLOY Group company. All rights reserved. Reproduction in whole or in part without the express written permission of ASSA ABLOY Accessories and Door Controls Group, Inc. is prohibited.

Pemko Hospitality Products

CONTENTS:

Privacy Door Latch, Bracket and Decals	208
SiliconSeal Adhesive Gasketing.....	209
Automatic Door Bottoms: Acoustic.....	210
Door Shoes.....	210
Acoustic Adhesive Corner Pads.....	210
Automatic Door Bottoms.....	211
Eco-V™ Thresholds.....	212
Adjustable-Width Eco-V™ Threshold	213
Stainless Steel Sliding Track Hardware System.....	214
Simultaneous Acting Sliding Door System.....	215
SHS80 System.....	216
Bypass Track Series	217

INDEX:

PRODUCT	PAGE	PRODUCT	PAGE
2113.....	210	S44.....	209
2173.....	210	S442.....	209
2343.....	210	S771.....	209
3692.....	210	S771x6.....	209
411.....	211	S772.....	209
4131.....	211	S773.....	209
ACP112.....	210	S776.....	209
ADJ232V14.....	213	S88.....	209
ADJ232x2325V8.....	213	SHS80.....	216
ADJ232V8.....	213	SIM150.....	215
EV232.....	212	STC411.....	210
EV2320.....	212	STC4131.....	210
EV2322.....	212	W60.....	214
EV2325.....	212		
EV2326.....	212		
HBP200A.....	217		
PDLAA.....	208		
PDLBRKT.....	208		
PDL-D1.....	208		
PDL-D2.....	208		



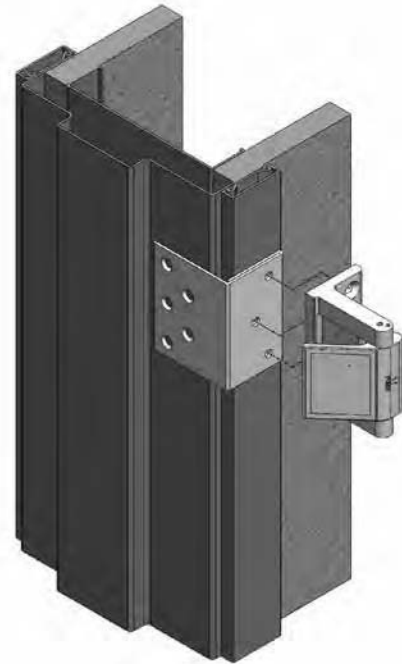
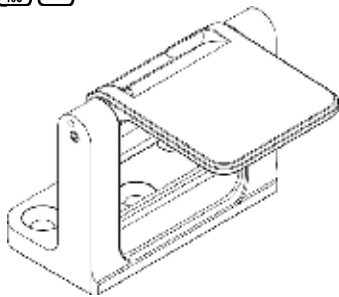
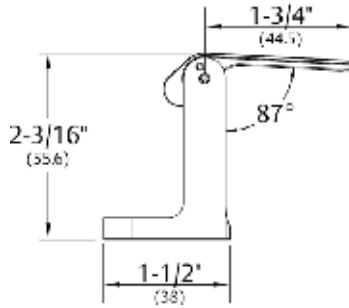
Privacy Door Latch

- Easy to install, simple to operate
- ADA Compliant
- Enhances room privacy
- UL Classified as a fire door accessory

PDLAA_

AVAILABLE COLORS:

- PDLAA26 Polished Chrome
- PDLAA26D/15 Polished Chrome/
Satin Nickel
- PDLAA3 Polished Brass
- PDLAA4 Brushed Brass
- PDLAABSP Black Suede
- PDLAA10BE Satin Bronze



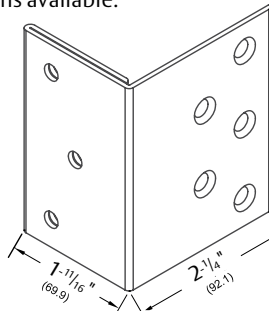
Privacy Door Latch Bracket

- Designed for Timely or Redi-Frame frames with snap on trim
- Bracket allows PDL to be installed in the correct position for proper operation
- Custom powder coat options available.

PDLBRKT_

AVAILABLE COLORS:

- Paintable Galvannealed (blank)
- Black Suede (BSP)
- Satin Bronze (10BE)
- White Suede (WSP)



Privacy Door Latch Decals

- Used to cover holes left on door and frame from old style door latch. Per NFPA80 holes must first be filled with like material in order to maintain the fire opening rating
- Made from stable, mar-resistant plastic
- Sub-surface screen printing so verbiage will not be affected by gentle cleaning/dusting



PDL-D1



PDL-D2

ASSA ABLOY
Opening Solutions

Experience a safer
and more open world

800-824-3018 | www.assaabloydooraccessories.us
Check the web site for the up-to-date catalog

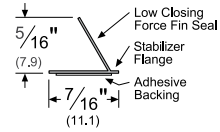
Copyright © 2015-2021, ASSA ABLOY Accessories and Door Controls Group, Inc., an ASSA ABLOY Group company. All rights reserved. Reproduction in whole or in part without the express written permission of ASSA ABLOY Accessories and Door Controls Group, Inc. is prohibited.

SiliconSeal Adhesive Gasketing

S44_

AVAILABLE FINISHES: **BL, C, D, GR, W**
 AVAILABLE LENGTHS: 17', 18', 20', 21', 25', 30', 510'
 ANSI: **ROE154, ROE155**

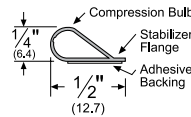
- Designed for tighter frames
- Demonstrates extremely low closing force
- Seal begins compressing at $\frac{5}{16}$ "; compresses to seal up to a $\frac{1}{16}$ " gap



S88_

AVAILABLE FINISHES: **BL, C, D, GR, TAN, W**
 AVAILABLE LENGTHS: 17', 18', 20', 21', 25', 30', 204', 510'
 ANSI: **ROE154, ROE155**

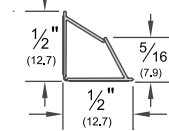
- Seal begins compressing at $\frac{1}{4}$ "; compresses to seal up to a $\frac{1}{16}$ " gap



S442_

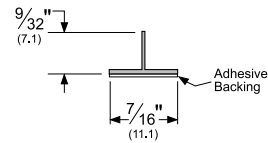
AVAILABLE FINISHES: **BL, D, W**
 AVAILABLE LENGTHS: 17', 18', 20', 21', 25', 30', 204', 510'
 ANSI: **ROE154, ROE155**

- Seal fits flush into corner
- Seal begins compressing at $\frac{5}{16}$ "; compresses to seal up to a $\frac{1}{16}$ " gap in either direction



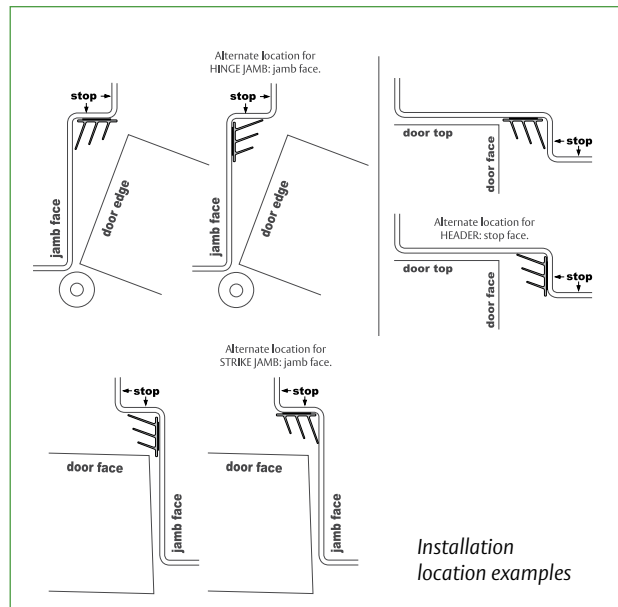
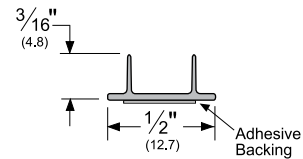
S771_

AVAILABLE FINISHES: **BL, C, D, GR, W**
 AVAILABLE LENGTHS: 7', 8', 9', 10'
 ANSI: **ROE154, ROE155, ROE754, ROE755**



S772_

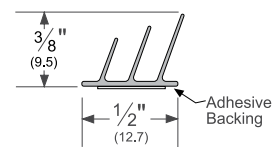
AVAILABLE FINISHES: **BL, C, D, GR, W**
 AVAILABLE LENGTHS: 7', 8', 9', 10'
 ANSI: **ROE154, ROE155, ROE754, ROE755**



S773_

AVAILABLE FINISHES: **BL, D, GR, W**
 AVAILABLE LENGTHS: 17', 18', 20', 21', 25', 30', 250'
 ANSI: **ROE154, ROE155**

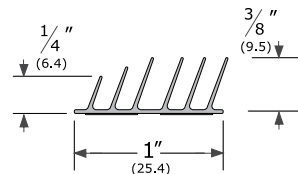
- Triple-fin design effectively blocks light and sound from infiltrating a room
- Seal begins compressing at $\frac{3}{8}$ "; compresses to seal up to a $\frac{3}{32}$ " gap



S776_

AVAILABLE FINISHES: **BL**
 AVAILABLE LENGTHS: 17', 18', 20', 21'
 ANSI: **ROE154, ROE155**

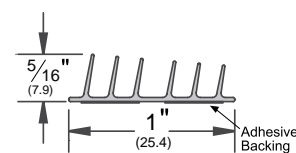
- Designed for hollow metal and wood meeting stile applications
- Seal begins compressing at $\frac{3}{8}$ "; compresses to seal up to a $\frac{1}{8}$ " gap



S771x6_

AVAILABLE FINISHES: **BL**
 AVAILABLE LENGTHS: 7, 8, 9', 10, 17, 18, 20, 21, 25
 ANSI: **ROE154, ROE155, ROE754, ROE755**

- Designed for hollow metal and wood meeting stile applications
- Seal begins compressing at $\frac{5}{16}$ "; compresses to seal up to a $\frac{1}{8}$ " gap



AVAILABLE FINISHES FOR PRODUCTS SHOWN ON THIS PAGE (see General Information section for finish chart)
BL (Black) **C** (Clear) **D** (Dark Brown) **GR** (Light Gray) **TAN** (Tan) **W** (White)

800-824-3018 | www.assaabloydooraccessories.us
 Check the web site for the up-to-date catalog

Copyright © 2015-2021, ASSA ABLOY Accessories and Door Controls Group, Inc., an ASSA ABLOY Group company. All rights reserved.
 Reproduction in whole or in part without the express written permission of ASSA ABLOY Accessories and Door Controls Group, Inc. is prohibited.

ASSA ABLOY
 Opening Solutions

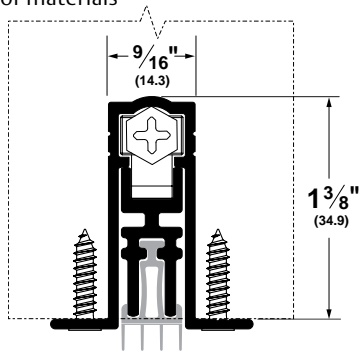
Experience a safer
 and more open world

Automatic Door Bottoms - Acoustic

- Recommended gap under door is $\frac{3}{8}$ " for optimal acoustic performance; max drop is $\frac{3}{4}$ "
- Internal mechanism allows bar to accommodate slight imperfections in floor materials

STC411_PK

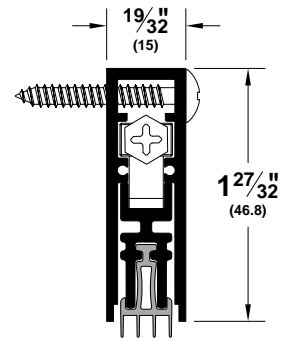
AVAILABLE FINISHES: **A**
REPLACEMENT INSERT: **PK4111 (BL)**
ANSI: **R3G324, R3G325**



- STC411 end plate kit is K435; for doors narrower than 1- $\frac{3}{4}$ ", specify end plate kit K411
- STC4131 end plate kit is K4133C for Clear Anodized and K4133D for Dark Bronze Anodized
- Non-handed

STC4131_PK

AVAILABLE FINISHES: **BSP, C, D**
REPLACEMENT INSERT: **PK4111 (BL)**
ANSI: **R3G334, R3G335, R3G344, R3G345**



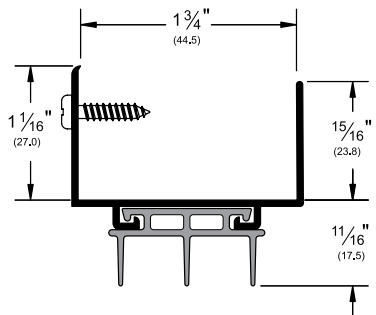
Door Shoes

2173_V

AVAILABLE FINISHES: **A, BDG, BSP, D, G, PW**
AVAILABLE LENGTHS: **36", 48"**
REPLACEMENT INSERT: **EV94 (BL)**
ANSI: **R3D414, R3D415**

Also available with unnotched insert:

2173_V36UN
2173_V48UN

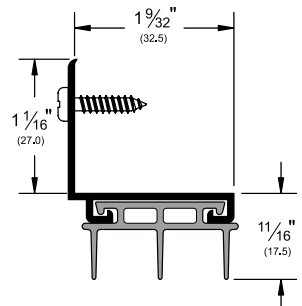


2113_V

AVAILABLE FINISHES: **A, BSP, D, G**
AVAILABLE LENGTHS: **36", 48"**
REPLACEMENT INSERT: **EV94 (BL)**
ANSI: **R3D414, R3D415**

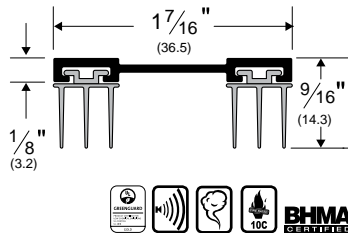
Also available with unnotched insert:

2113_V36UN
2113_V48UN



3692_PK773

AVAILABLE FINISH: **A**
AVAILABLE LENGTHS: **36", 48"**
REPLACEMENT INSERT: **PK773 (BL, GR)**
ANSI: **R3G414, R3G415**

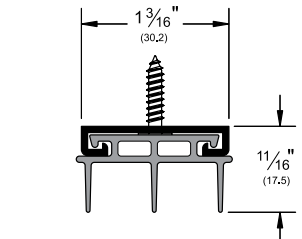


2343_V

AVAILABLE FINISHES: **A, BSP, D, G**
AVAILABLE LENGTHS: **36", 48"**
REPLACEMENT INSERT: **EV94 (BL)**
ANSI: **R3D414, R3D415**

Also available with unnotched insert:

2343_V36UN
2343_V48UN

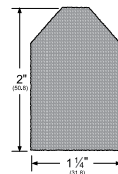


Acoustic Adhesive Corner Pads

- Corner pad with black or white polypropylene pile, with pressure-sensitive adhesive
- Apply to corner of jamb on hinge side to seal against air and light infiltration

ACP112_

AVAILABLE COLORS: **BL, W**



AVAILABLE FINISHES FOR PRODUCTS SHOWN ON THIS PAGE (see General Information section for finish chart)
10BE (Satin Bronze Powder Coated Aluminum) **A** (Mill Finish Aluminum) **BDG** (Bright Dip Gold Anodized)
BSP (Black Suede Powder Coated Aluminum) **D** (Dark Bronze Anodized) **G** (Gold Anodized)
PW (Painted White) **WSP** (White Suede Powder Coated Aluminum) Corner Pad: **BL** (Black) **W** (White)

ASSA ABLOY
Opening Solutions

Experience a safer
and more open world

800-824-3018 | www.assaabloydooraccessories.us

Check the web site for the up-to-date catalog

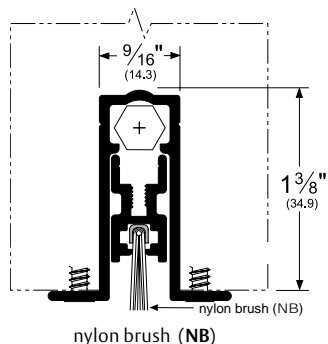
Copyright © 2015-2021, ASSA ABLOY Accessories and Door Controls Group, Inc., an ASSA ABLOY Group company. All rights reserved. Reproduction in whole or in part without the express written permission of ASSA ABLOY Accessories and Door Controls Group, Inc. is prohibited.

Automatic Door Bottoms

- All Pemko Automatic Door Bottoms, 24" and up, can be manufactured for field alteration.
- Please specify when ordering: Allow 2" for field trimming

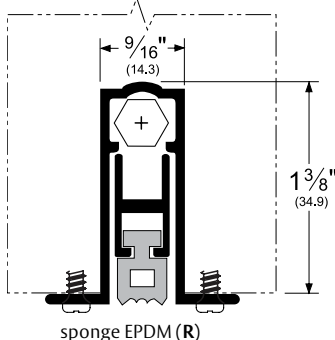
411_NBL

AVAILABLE FINISH:
A
 REPLACEMENT INSERT:
P14075 (BL, GR)
 ANSI:
R3A324, R3A325



411_RL

AVAILABLE FINISH:
A
 REPLACEMENT INSERT:
E7 (BL)
 ANSI:
R3G324, R3G325



Alternate Insert For 411

411_PKL

AVAILABLE FINISH:
A
 REPLACEMENT INSERT:
PK4132 (BL)
 ANSI: **R3G324, R3G325**



411_SL

AVAILABLE FINISH:
A
 REPLACEMENT INSERT:
SR6 (BL)
 ANSI:
R3E324, R3E325

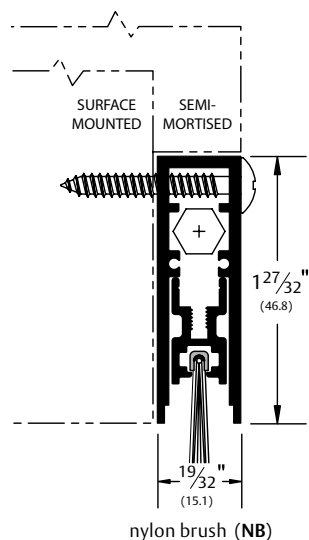


All above products



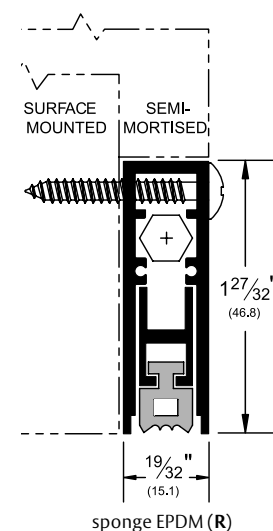
4131_NBL

AVAILABLE FINISHES:
BSP, C, D, SN
 REPLACEMENT INSERT:
P14075 (BL, GR)
 ANSI:
R3A334, R3A335, R3A344, R3A345



4131_RL

AVAILABLE FINISHES:
BSP, C, D, SN
 REPLACEMENT INSERT:
E7 (BL)
 ANSI:
R3G334, R3G335, R3G344, R3G345



Alternate Inserts For 4131

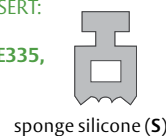
4131_PKL

AVAILABLE FINISHES:
BSP, C, D, SN
 REPLACEMENT INSERT:
PK4132 (BL)
 ANSI: **R3G334, R3G335, R3G344, R3G345**



4131_SL

AVAILABLE FINISHES:
BSP, C, D, SN
 REPLACEMENT INSERT:
SR6 (BL)
 ANSI: **R3E334, R3E335, R3E344, R3E345**



All above products



AVAILABLE FINISHES FOR PRODUCTS SHOWN ON THIS PAGE (see General Information section for finish chart)
10BE (Satin Bronze Powder Coated Aluminum) **A** (Mill Finish Aluminum)
BSP (Black Suede Powder Coated Aluminum) **C** (Clear Anodized) **D** (Dark Bronze Anodized)
WSP (White Suede Powder Coated Aluminum) **SN** (Satin Nickel Anodized)

800-824-3018 | www.assaabloydooraccessories.us
 Check the web site for the up-to-date catalog

Copyright © 2015-2021, ASSA ABLOY Accessories and Door Controls Group, Inc., an ASSA ABLOY Group company. All rights reserved.
 Reproduction in whole or in part without the express written permission of ASSA ABLOY Accessories and Door Controls Group, Inc. is prohibited.

ASSA ABLOY
 Opening Solutions

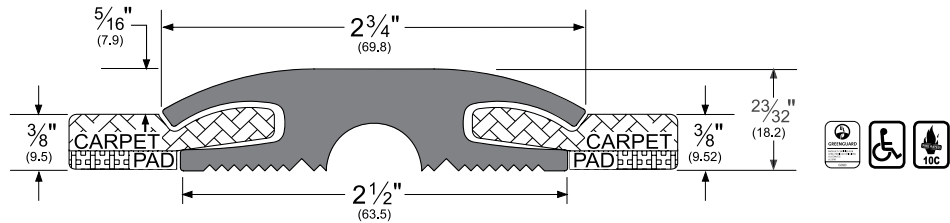
Experience a safer
 and more open world

Eco-V™ Thresholds

- Eco-V™ thresholds create an ideal transition where two different pieces of carpet meet, or carpet meets another surface under a door
- Ideal for use in any high-traffic commercial installation, such as hotels and offices
- Eco-V™ thresholds are manufactured from slightly softer material than competitive products. This aids in the cutting and fitting of the threshold and facilitates easier insertion of the carpet into the holding cavities on the carpet side(s) of the threshold
- Eco-V™ thresholds are designed to work in conjunction with Pemko's **2173_V**, **2113_V** and **2343_V** door shoes
- EV232**, **EV2325**, and **ADJ232V** thresholds meet the criteria outlined in **ADAAG-2010 (Amended)**; **ICC/ANSI A117.1** and **California Building Code, Title 24** for Barrier-Free Entry
- 1/2" max rise above finished floor

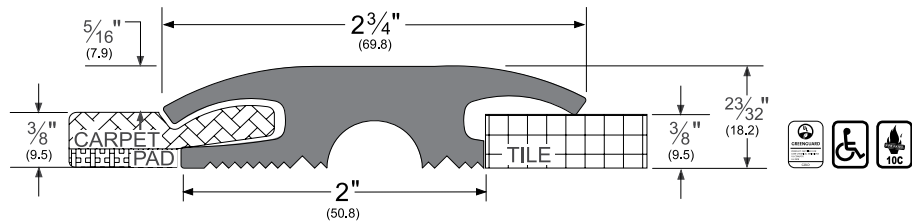
EV232_

AVAILABLE COLORS: **BL**, **D**
 AVAILABLE LENGTHS: **36"**, **48"**, **73"**
 Serves as a transition where two pieces of carpet meet beneath an interior door



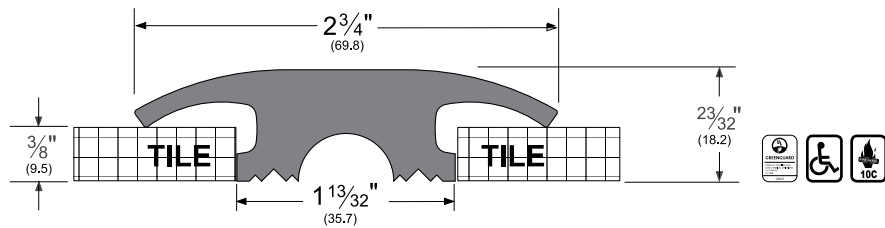
EV2325_

AVAILABLE COLORS: **BL**, **D**
 AVAILABLE LENGTHS: **36"**, **48"**, **73"**
 Serves as a transition where one piece of carpet meets tile beneath an interior door



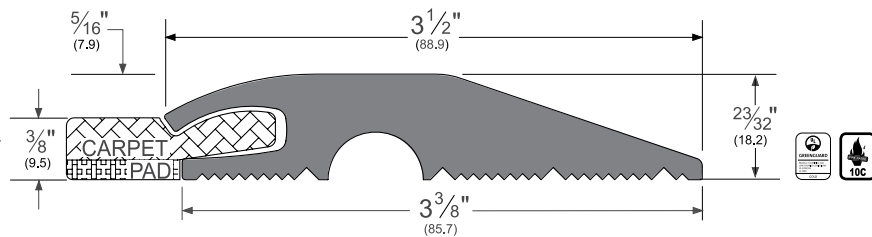
EV2326_

AVAILABLE COLORS: **BL**, **D**
 AVAILABLE LENGTHS: **36"**, **48"**, **73"**
 Serves as a transition where two pieces of tile meet beneath an interior door



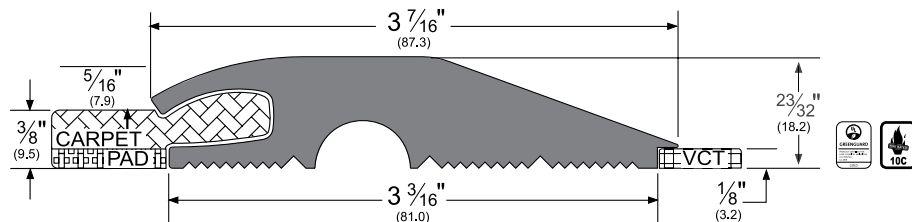
EV2320_

AVAILABLE COLOR: **BL**
 AVAILABLE LENGTHS: **36"**, **48"**, **73"**
 Serves as a transition where carpet meets concrete beneath an interior or exterior door



EV2322_

AVAILABLE COLOR: **BL**
 AVAILABLE LENGTHS: **36"**, **48"**, **73"**
 Serves as a transition where carpet meets 1/8" tile beneath an interior door



NOTE: Products shown in this section may not be drawn to scale.

AVAILABLE FINISHES FOR PRODUCTS SHOWN ON THIS PAGE (see General Information section for finish chart)
BL (Black) **D** (Dark Brown)

ASSA ABLOY
 Opening Solutions

Experience a safer
 and more open world

800-824-3018 | www.assaabloydooraccessories.us
 Check the web site for the up-to-date catalog

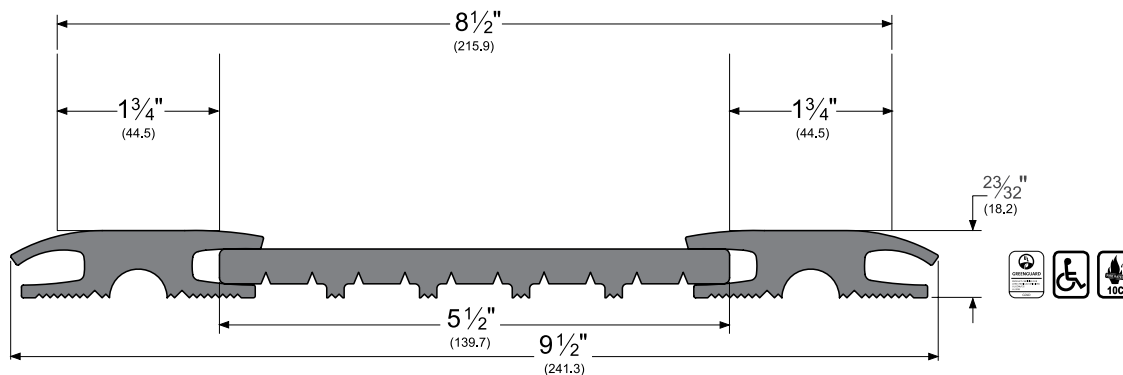
Copyright © 2015-2021, ASSA ABLOY Accessories and Door Controls Group, Inc., an ASSA ABLOY Group company. All rights reserved. Reproduction in whole or in part without the express written permission of ASSA ABLOY Accessories and Door Controls Group, Inc. is prohibited.

Adjustable-Width Eco-V™ Threshold

- The adjustable-width threshold is designed for installations where the widths of the transition beneath a door may need to change, without completely disassembling and reinstalling the threshold
- The adjustable-width threshold consists of two Eco-V™ end pieces and one Eco-V™ adjustable center section
- Center section (**EV2321** below) can easily be cut to size with a standard razor knife

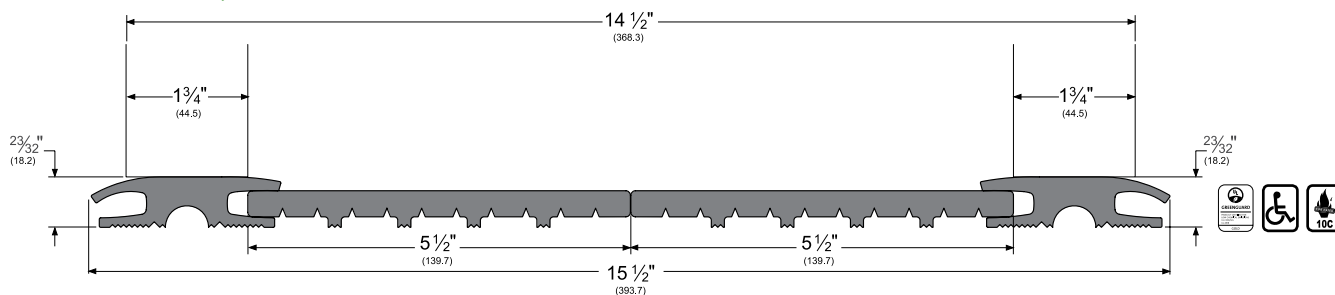
ADJ232V8_

AVAILABLE COLOR: **BL, D**
AVAILABLE LENGTHS: **36", 48"**



ADJ232V14_

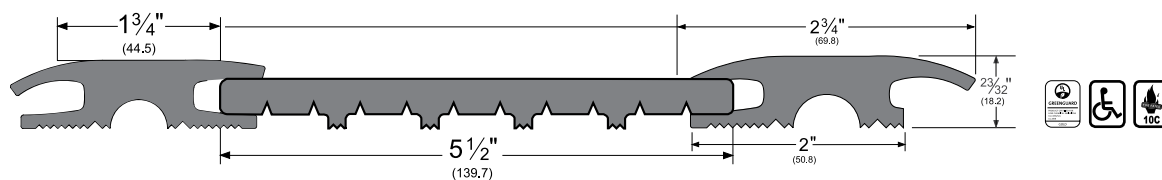
AVAILABLE COLOR: **BL, D**
AVAILABLE LENGTHS: **36", 48"**



ADJ232x2325V8_

AVAILABLE COLOR: **BL, D**
AVAILABLE LENGTHS: **36", 48"**

For carpet to tile applications; other combinations available



NOTE: Products shown in this section may not be drawn to scale.

AVAILABLE FINISHES FOR PRODUCTS SHOWN ON THIS PAGE (see General Information section for finish chart)

BL (Black) **D** (Dark Brown)

800-824-3018 | www.assaabloydooraccessories.us

Check the web site for the up-to-date catalog

Copyright © 2015-2021, ASSA ABLOY Accessories and Door Controls Group, Inc., an ASSA ABLOY Group company. All rights reserved. Reproduction in whole or in part without the express written permission of ASSA ABLOY Accessories and Door Controls Group, Inc. is prohibited.

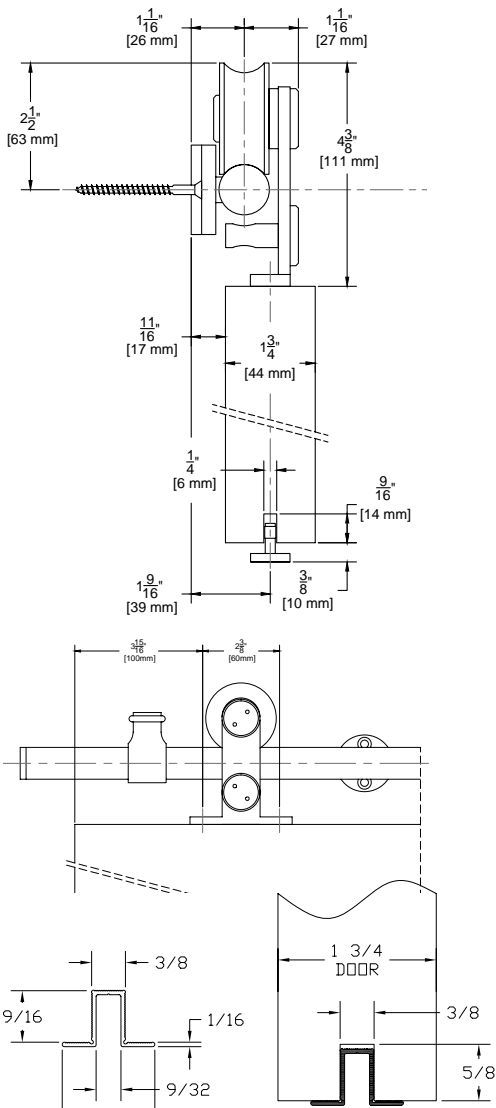
ASSA ABLOY
Opening Solutions

Experience a safer
and more open world

Stainless Steel Sliding Track Hardware System

W60 Series for Wood Doors

For Sliding Panels up to 176 lbs.



Configurations:

- Single
- Bi-parting

Installations:

- Side Wall Mount (only)

Features:

- Made of 304 stainless steel
- Nylon coated stainless steel wheel for smooth operation
- 176 lb. panel capacity
- 5 year warranty
- Meets ADA push force requirements

Finishes:

- Brushed Stainless Steel (W60)
- Black Powder Coated Stainless Steel (W60D)
- Polished Stainless Steel (W60P)

W60 Kits Include:

- 1 ea **BAR/** Stainless Steel Track
- **BRACKET2** Stainless Steel Wall Brackets
- 2 ea **62** Stainless Steel Hangers
- 1 ea **102SS-KIT** Stainless Steel Guide
- 2 ea **STOP2** Stainless Steel Stops Mounting Hardware

NOTE: If ordering individual parts in the optional Black Powder Coat, Polished finishes be sure to include a prefix "D" for Black Powder Coat, or "P" for Polished Stainless

Standard Kit Sizes			
Part Number	Material	Track Length	Door Width
W60/6	304 Stainless Steel	78 ³ / ₄ "	36"
W60/8	304 Stainless Steel	98 ⁷ / ₁₆ "	48"
W60D/6	Black Powder Coated Stainless Steel	78 ³ / ₄ "	36"
W60D/8	Black Powder Coated Stainless Steel	98 ⁷ / ₁₆ "	48"
W60P/6	304 Polished Stainless Steel	78 ³ / ₄ "	36"
W60P/8	304 Polished Stainless Steel	98 ⁷ / ₁₆ "	48"

Custom lengths are available. Please contact the factory to order.

Options:

Hardware Pack (One Door) **W60_H/PACK**

Mortise Guides **102N**

Polypropylene Guide Rail **EPD3BL** For Use With 102N

5/8" Spacer

1/2" Spacer

BLD-SPACER-58 Pack of 5 5/8" Spacer
Recommended for use with 5/8" Gypsum Board
When Mounting Track Directly to Gypsum Board

BLD-SPACER-12 Pack of 5 1/2" Spacer
Recommended for use with 1/2" Gypsum Board
When Mounting Track Directly to Gypsum Board

NOTE: Alternate route dimension when using optional EPD3BL

ASSA ABLOY
Opening Solutions

Experience a safer
and more open world

800-824-3018 | www.assaabloydooraccessories.us

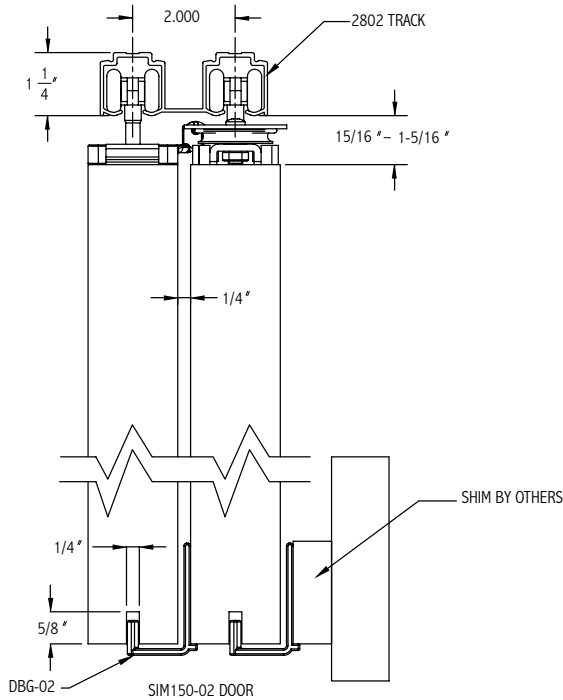
Check the web site for the up-to-date catalog

Copyright © 2015-2021, ASSA ABLOY Accessories and Door Controls Group, Inc., an ASSA ABLOY Group company. All rights reserved. Reproduction in whole or in part without the express written permission of ASSA ABLOY Accessories and Door Controls Group, Inc. is prohibited.

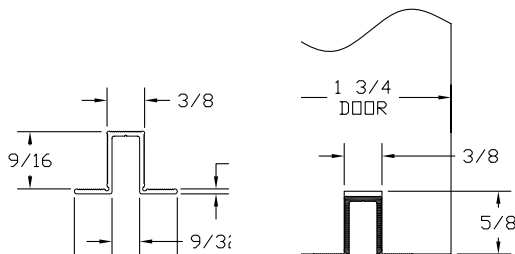
Simultaneous Acting Sliding Door System

SIM 150 for 2 Door Systems

For Sliding Panels up to 176 lbs.



Alternate Route for EPD3BL



Configurations:

- Bi-part Telescoping

Installations:

- Overhead Mount

Features:

- Easy to install with self aligning components
- Telescoping panels glide along the track
- Doors retract into storage pockets when not in use
- 5 year warranty

Finishes:

- Clear (C)
- Dark Bronze (D)

Pulley System Kit Includes:

- Pre-Assembled Pulley System
- In-Track Stops and Hangers
- Door Bottom Guides
- Floor Stops, Back Stop and End Plates
- Installation Fasteners

Single Extrusion Aluminum Track must be ordered separately.

Specify door width when ordering. Default door overlap is 3". Any other overlap must be specified (Min. overlap is 2").

Note: All doors must be of equal width.

Pulley System Kits	
Part Number	Door Width
SIM150-2-LH/25-32	25" - 32"
SIM150-2-LH/33-40	33" - 40"
SIM150-2-LH/41-48	41" - 48"
SIM150-2-RH/25-32	25" - 32"
SIM150-2-RH/33-40	33" - 40"
SIM150-2-RH/41-48	41" - 48"

System Track Ordered Separately		
Track	Finish	Track Length
2802C	Clear	up to 147"
2802D	Dark	up to 185"

Options:

- Lock Kit- includes lock with edge pull, and cup pull, **SIM150-LOCKKIT**
- Bolt Kit- includes surface bolt, dust-proof strike, cup pull, and edge pull, **SIM150-BOLTKIT**
- Snap-on Fascia Available **F134**
- Polypropylene Guide Rail **EPD3BL**

800-824-3018 | www.assaabloydooraccessories.us

Check the web site for the up-to-date catalog

Copyright © 2015-2021, ASSA ABLOY Accessories and Door Controls Group, Inc., an ASSA ABLOY Group company. All rights reserved. Reproduction in whole or in part without the express written permission of ASSA ABLOY Accessories and Door Controls Group, Inc. is prohibited.

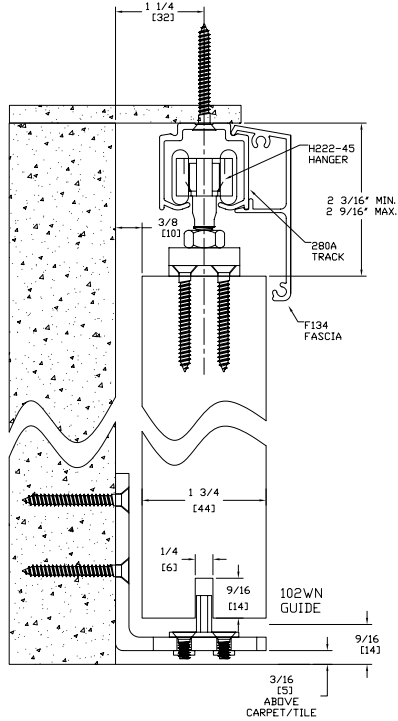
ASSA ABLOY
Opening Solutions

Experience a safer
and more open world

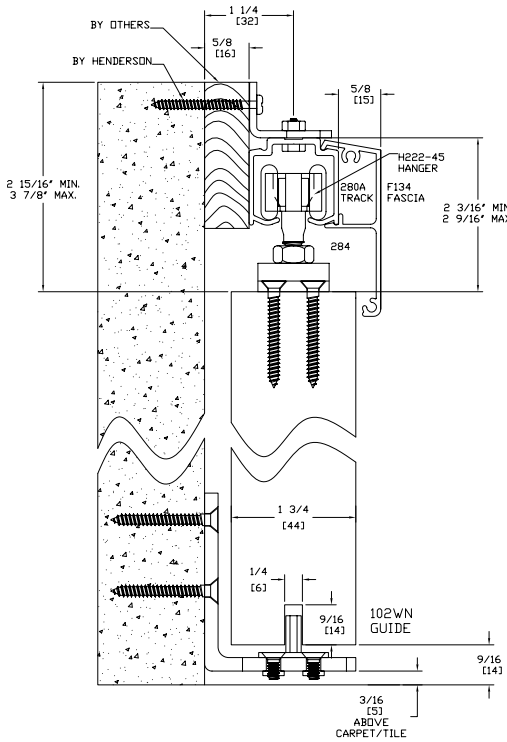
SHS80 Series

For Sliding Panels up to 200 lbs.

Overhead Mount



Side Wall Mount



SHS80-SW
SLIDING DOOR HARDWARE W/FASCIA
SIDE WALL MOUNT 1 3/4" DOORS

Configurations:

- Single
- Bi-parting

Installations:

- Overhead Mount
- Side Wall Mount

Features:

- Hanger body is made of nickel plated zinc alloy for durability and long life
- Steel ball bearing wheels coated in nylon for smooth operation
- 200 lb. panel capacity
- Optional Soft Close
- 5 year warranty
- Meets ADA push force requirements

SHS80 Kits Include:

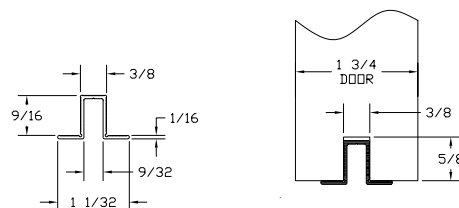
- 1 ea **280C** Clear Anodized Aluminum Track
- 2 ea **H222R1** - Nickel Plated Zinc Alloy Body
- 2 ea **601H** Nylon In-Track Clip Stop
- 1 ea **102WN** White Nylon Mortise Guide on Zinc Plated Steel "L" Metal

Standard Kit Sizes			
Part Number	Material	Track Length	Door Width
SHS80/6	Aluminum	72"	36"
SHS80/8	Aluminum	96"	48"

Options:

- Fascia: **F134C** clear anodized aluminum fascia, **F134D** dark bronze anodized fascia
- Side Wall Track Brackets: **PC2815** available as 5 pack only, PC2815 pack of 5 281 zinc plated side wall bracket. NOTE: Need one at each end and no more than 2 feet in-between. Fasteners included.
- Track: **280D** dark bronze anodized track
- End Plate Kit: **K134EP** (use with F134C and 280C only)
- Bottom Channel: **94A**
- Roller Guide: **106R/94**
- Threshold: **971A**
- Side Wall Mount Extra Hardware Pack: **SHS80/PACK**
- Mortise Floor Guide: **102N**
- Polypropylene Guide Rail: **EPD3BL** for use with 102N or 102WN
- Soft Close available. See page 284-285 for more information.

Alternate Route for EPD3BL



ASSA ABLOY
Opening Solutions

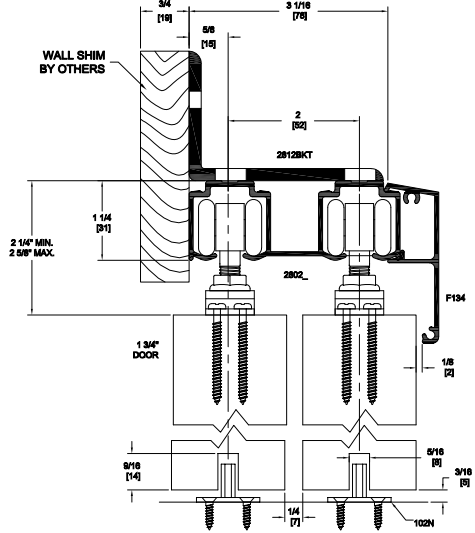
Experience a safer
and more open world

800-824-3018 | www.assaabloydooraccessories.us
Check the web site for the up-to-date catalog

Bypass Track Series

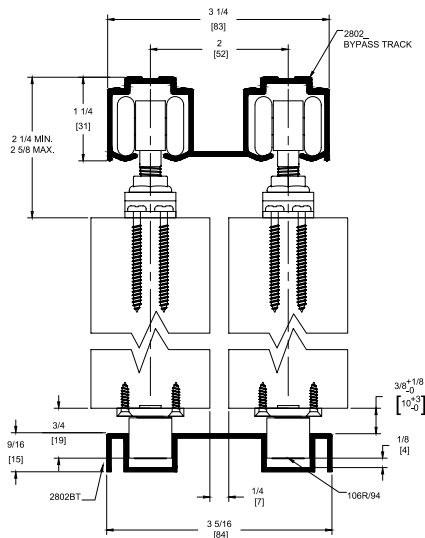
For Bypass Panels up to 200 lbs.

1 3/4" Thick Doors Side Wall Mount



NOTE: Route door 9/16" deep by 1/4" wide to receive 102N Guide.

1 3/4" Thick Doors Overhead Mount



* Side Wall mounting: use one (1) 2812KIT at each end of track and 24" on center

Configurations:

- For Bypass Doors

Features:

- Fits 1 3/8" and 1 3/4" doors
- Hanger body is made of nickel plated zinc alloy for durability and long life
- Steel ball bearing wheels coated in nylon for smooth operation
- 200 lb. panel capacity
- Load capacity 200 lbs. per door panel (2 hangers)
- Extruded aluminum track
- Optional Soft Close
- 5 year warranty
- Meets ADA push force requirements

HBP200A Kits Include:

- 1 ea **2802C** Clear Anodized Aluminum Track
- 4 ea **H222R1** Hangers
- 2 ea **102N** White Nylon Mortise Guide
- 4 ea **TELS-14KIT** In Track Stops
- 1 ea Adjusting Wrench and Mounting Hardware

Standard Kit Sizes

Part Number	Track Length	Door Width
HBP200A/4	48"	2 @ 26" Min*
HBP200A/5'4	64"	2 @ 34" Min*
HBP200A/6	72"	2 @ 38" Min*
HBP200A/7	84"	2 @ 44" Min*
HBP200A/8	96"	2 @ 50" Min*
HBP200A/10	120"	2 @ 62" Min*
HBP200A/12	144"	2 @ 74" Min*

*Minimum door overlap is 2".

Options:

- Hardware Kit **H200PACK**
- Mounting Bracket **2812KIT**
- Track **2802D** dark bronze anodized track
- Track Stop (bumper) **287R1-KIT**
- Bottom Channel **94A**
- Fascia, Snap-On **F134C** clear anodized aluminum fascia. **F134D** dark bronze anodized aluminum fascia
- Roller Guide **106R/94**
- Dual Guide Channel **2802BT**
- Polypropylene Guide Rail **EPD3BL** for use with 102N
- Soft Close available. See page 284-285 for more information.

AVAILABLE FINISHES FOR PRODUCTS SHOWN ON THIS PAGE (see General Information section for finish chart)

A (Mill Finish Aluminum) C (Clear Anodized)
800-824-3018 | www.assaabloydooraccessories.us

Check the web site for the up-to-date catalog

Copyright © 2015-2021, ASSA ABLOY Accessories and Door Controls Group, Inc., an ASSA ABLOY Group company. All rights reserved. Reproduction in whole or in part without the express written permission of ASSA ABLOY Accessories and Door Controls Group, Inc. is prohibited.

ASSA ABLOY
Opening Solutions

Experience a safer
and more open world

ASSA ABLOY
Opening Solutions

Experience a safer
and more open world

800-824-3018 | www.assaabloydooraccessories.us
Check the web site for the up-to-date catalog

Copyright © 2015-2021, ASSA ABLOY Accessories and Door Controls Group, Inc., an ASSA ABLOY Group company. All rights reserved.
Reproduction in whole or in part without the express written permission of ASSA ABLOY Accessories and Door Controls Group, Inc. is prohibited.

Pemko Acoustic Products

CONTENTS:

Basic Acoustic Information.....	220
Acoustic Seal Sets.....	222
Acoustic Thresholds.....	223
Saddle Thresholds.....	224
Automatic Door Bottoms - Acoustic.....	225
Door Shoes.....	225
Acoustic Adhesive Corner Pads.....	225
Standard Perimeter Gasketing.....	226
SiliconSeal Adhesive-Backed Gasketing.....	226

INDEX:

PRODUCT	PAGE	PRODUCT	PAGE	PRODUCT	PAGE
151.....	224	2008.....	223	ACP112_.....	225
154.....	224	2009.....	223	PEMKOSTCSET.....	222
175.....	224	2212.....	225	S44.....	226
1546.....	224	303.....	226	S442.....	226
1547.....	224	312.....	226	S773.....	226
2006STC_.....	223	315.....	226	STC411.....	225
2007STC_.....	223	3692.....	225	STC4131.....	225

The Impact of Sound

Everyday our ears are met with a barrage of sounds. Sounds can be pleasant, like music or laughter. But they can also be disruptive, like construction or traffic, or even just the people in the cubicle next door. At a certain point sound becomes noise and we look for ways to control it. Sound control is especially important in classrooms, hospitals, hotels and offices, as it impacts our ability to learn, heal, sleep and think.

The U.S. Green Building Council recognizes the importance of acoustical control by including LEED Indoor Environment Quality (IEQ) credits for acoustics.

Description of Sound

Sound can be described as vibrations in the air moving in waves. The rate of sound vibrations measured in cycles per second is called frequency and is measured in hertz (Hz). Sound pressure levels are measured in decibels (dB). For a list of common noises and their related decibel level, see the chart on the right.

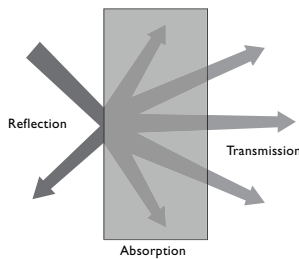
Sound Level dB		
0	Threshold of hearing	Inaudible
20	Very rural environment	Extremely quiet
30	Quiet home	Faint
40	Quiet office	Distant sounds audible
50	Background conversation	Moderate
60	Radio/Television in home	Moderate
70	Highway noise	Moderately loud
80	Background factory noise	Loud
90	Noisy factory	Very loud
105	Elevated train	Deafening
120	Bass drum at 3'	Physical pain
130	Jet aircraft at 100'	Physical pain

Basic Acoustics

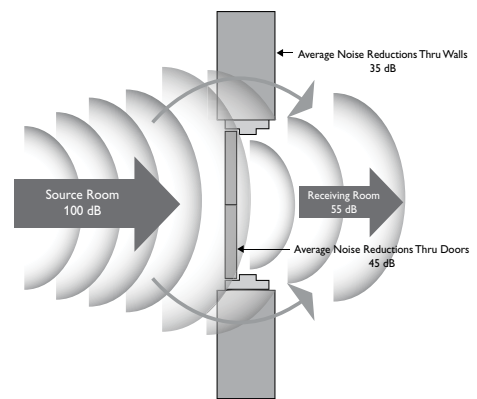
Sound transmission reduction relies on two main principles:

Sound Absorption - Removing sound energy from within a room by using materials such as acoustic tiles or open cell foam to soak up sound.

Sound Insulation - Preventing the transmission of sound waves by introducing a barrier. Examples include brick, concrete, metal, heavy doors, etc.



Sound waves will travel the path of least resistance. A high performing door will not compensate for less performing materials in the walls around it.



In order to reduce the transmission of sound, materials are added between the source room and the receiving room. The resulting change in decibel level is the sound transmission loss and is given a Sound Transmission Class (STC) rating.

The higher the rating number, the lower the transmission of sound. The STC rating is roughly the decibel reduction a partition can provide. For instance, if a 100 dB noise is reduced to 55 dB, that product roughly has a STC 45 rating.

ASSA ABLOY
Opening Solutions

Experience a safer
and more open world

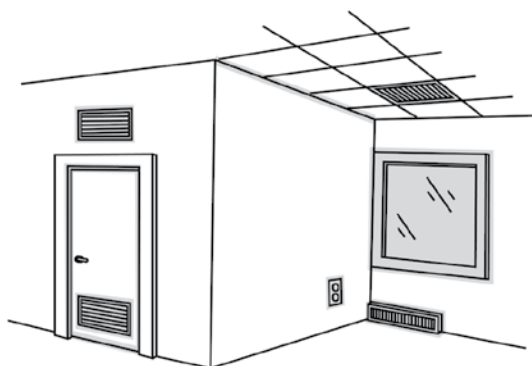
800-824-3018 | www.assaabloydooraccessories.us
Check the web site for the up-to-date catalog

Copyright © 2015-2021, ASSA ABLOY Accessories and Door Controls Group, Inc., an ASSA ABLOY Group company. All rights reserved. Reproduction in whole or in part without the express written permission of ASSA ABLOY Accessories and Door Controls Group, Inc. is prohibited.

Sound Flanking

Flanking is the leakage of airborne sound around a door opening through any available gap. Flanking between the door leaf and the surrounding frame is reduced by the use of seals.

Optimum sound attenuation performance is likely achieved using a four sided frame with a sill made to the same detail as the head and the seals set in a single plane. If a full four sided frame is not an option, then alternative threshold sealing options should be made such as automatic door bottoms, door shoes and/or thresholds.



Active STC Rating	Level Of Speech Heard
STC-30	Loud speech understood
STC-35	Loud speech heard but not understood
STC-40	Loud speech audible as a murmur
STC-45	Some loud speech barely audible
STC-48	Hearing strained to hear loud speech
STC-50	Loud speech not audible

STC Ratings

Acoustic Door Testing is done on “sealed-in-place” (fully caulked) doors for door STC ratings, as well as on assemblies (with gasketing and door bottoms) for operable STC ratings. Operable STC ratings are always equal to or lower than the sealed-in-place ratings. The best performance rating on the operable test is a 'zero drop' in the assembly's STC rating. For example, a door with a STC 45 rating can only achieve an operable STC of 45 at its very best; it can never achieve a STC 50.

Also, since sound waves travel the path of least resistance, a high performing door will not compensate for elements like improperly installed seals around doors, the lack of a threshold under the door, a non-insulated frame, louvered doors, or poor seals at the wall/ceiling/floor/mullion connections.

When STC ratings are determined, normal human speech and hearing are used. In most cases the level of reduction does not totally eliminate but rather muffles the sound to an unintelligible level. The chart shown on the left compares the level of speech that would be heard through a door system with the indicated operable STC rating.

Look for Pemko products with this symbol:



Tested To: ASTM E 90-2009

Products indicated by this symbol have been acoustically tested in accordance with ASTM E90 - Standard Test Method for Laboratory Measurement of Airborne Sound Transmission Loss of Building Partitions and Elements.

Need STC Rated Doors?

Pemko Acoustic Seal Sets are an important part of an overall acoustic solution. ASSA ABLOY Group brands can provide the other elements of the solution including STC Rated Doors, STC Rated Frames and complete STC Rated Assemblies.

For more information please see:

CECO DOORS: www.cecodoor.com
 CURRIES: www.curries.com

Acoustic Seal Sets

Pemko acoustic components are available in their appropriate sets. These product combinations are lab tested and have known decibel drops when used with sound-rated doors. Each kit includes gasketing, a door bottom or threshold, and a complete set of installation instructions. Installation instructions show the proper installation location for each component for optimal performance.

HOW TO:

1. Locate the Sealed-In-Place (inoperable) rating for your door.
2. Determine the maximum allowable drop for your opening (i.e. -1 db). Note: the numbers are represented as negative numbers as they will decrease your inoperable rating by the number shown (i.e. 45 using a -1 kit will decrease the inoperable rating from 45 to an operable of 44)
3. Find a number in the column below your door's inoperable rating that will keep your opening in the allowable range.
4. Select a kit (or one of the kits given if Alternate Kits are shown), place it on your Purchase Order and add your opening size in inches (i.e. a 3/0 x 7/0 opening will be ordered as a 3684).

Item Number	Sealed-In-Place Door STC Rating				
	58 to 54	53 to 49	48 to 46	45 to 43	<42
PEMKOSTCSET-1A Alternate Kits: 1B, 1C, 1D, 1E		-2	-2	-1	0
PEMKOSTCSET-2C	-3	-2	-2	-1	0
PEMKOSTCSET-2D Alternate Kits: 2A, 2B	-3	-2	-1	-1	0
PEMKOSTCSET-2E	-2	-2	-1	-1	0
PEMKOSTCSET-3A		-2	-1	0	0
PEMKOSTCSET-3D		-2	-1	0	0
PEMKOSTCSET-3E	-2	-2	-1	0	0
PEMKOSTCSET-3B				0	0
PEMKOSTCSET-4A				0	0
PEMKOSTCSET-4B				0	0
PEMKOSTCSET-4D				0	0
PEMKOSTCSET-4E				0	0

NOTE: A seal set cannot increase the sealed-in-place rating; a zero drop is the best performance any seal set can provide.

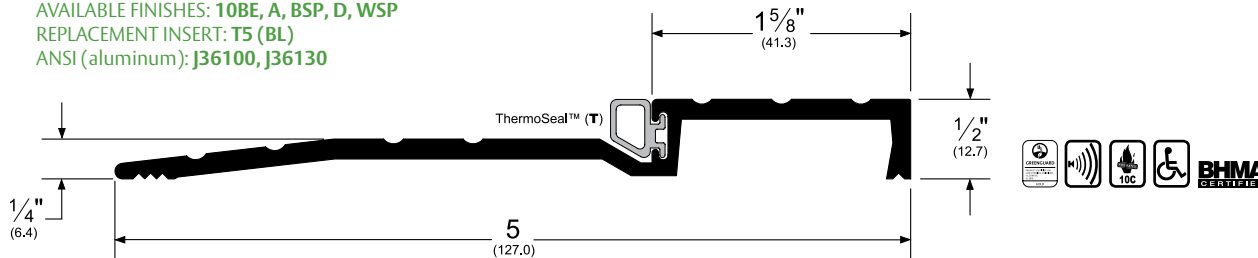
Item Number	Gasketing	Door Bottom	Threshold	Corner Pad
PEMKOSTCSET-1A	S773BL (Single Row) and S44BL (Single Row)	STC411APK		ACP112BL
PEMKOSTCSET-1B	S44BL (Two Rows)	STC411APK		ACP112BL
PEMKOSTCSET-1C	S442BL (Single Row) and S44BL (Single Row)	STC411APK		ACP112BL
PEMKOSTCSET-1D	303AS and S44BL (Single Row)	STC411APK		ACP112BL
PEMKOSTCSET-1E	312CR and S44BL (Single Row)	STC411APK		ACP112BL
PEMKOSTCSET-2A	S773BL (Single Row) and S44BL (Single Row)		2008APK	
PEMKOSTCSET-2B	S44BL (Two Rows)		2008APK	
PEMKOSTCSET-2C	S442BL (Single Row) and S44BL (Single Row)		2008APK	
PEMKOSTCSET-2D	303AS and S44BL (Single Row)		2008APK	
PEMKOSTCSET-2E	312CR and S44BL (Single Row)		2008APK	
PEMKOSTCSET-3A	S773BL (Single Row) and S44BL (Single Row)	3692APK773BL		
PEMKOSTCSET-3B	S44BL (Two Rows)	3692APK773BL		
PEMKOSTCSET-3D	303AS and S44BL (Single Row)	3692APK773BL		
PEMKOSTCSET-3E	312CR and S44BL (Single Row)	3692APK773BL		
PEMKOSTCSET-4A	S773BL (Single Row) and S44BL (Single Row)		2009APK	
PEMKOSTCSET-4B	S44BL (Two Rows)		2009APK	
PEMKOSTCSET-4D	303AS and S44BL (Single Row)		2009APK	
PEMKOSTCSET-4E	312CR and S44BL (Single Row)		2009APK	

Acoustic Thresholds

- Pemko Acoustic Thresholds are designed to aid with a door's STC rating
- Thresholds will not improve a door's "sealed-in-place" STC rating
- Visit www.assaabloydooraccessories.us, for more Acoustic products and additional information

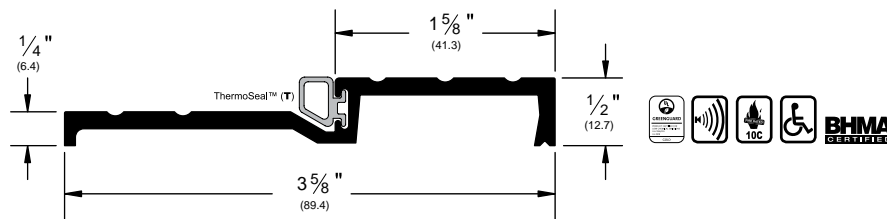
2006STC_

AVAILABLE FINISHES: **10BE, A, BSP, D, WSP**
 REPLACEMENT INSERT: **T5 (BL)**
 ANSI (aluminum): **J36100, J36130**



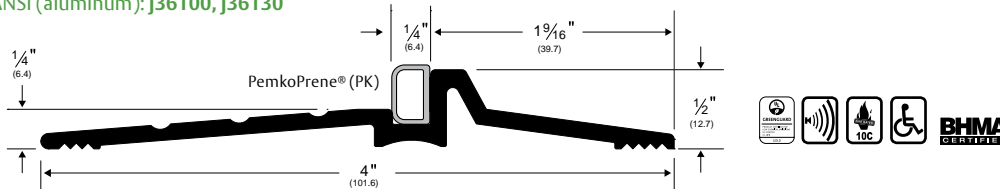
2007STC_

AVAILABLE FINISHES: **10BE, A, BSP, D, WSP**
 REPLACEMENT INSERT: **T5 (BL)**
 ANSI (aluminum): **J36100, J36130**



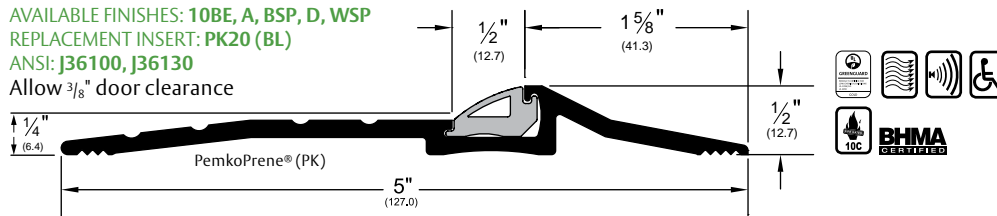
2008_PK

AVAILABLE FINISHES: **10BE, A, BSP, D, WSP**
 REPLACEMENT INSERT: **PK381 (BL)**
 ANSI (aluminum): **J36100, J36130**



2009_PK

AVAILABLE FINISHES: **10BE, A, BSP, D, WSP**
 REPLACEMENT INSERT: **PK20 (BL)**
 ANSI: **J36100, J36130**
 Allow 3/8" door clearance



AVAILABLE FINISHES FOR PRODUCTS SHOWN ON THIS PAGE (see General Information section for finish chart)
10BE (Satin Bronze Powder Coated Aluminum) **A** (Mill Finish Aluminum)
BSP (Black Suede Powder Coated Aluminum) **D** (Dark Bronze Anodized)
WSP (White Suede Powder Coated Aluminum)

800-824-3018 | www.assaabloydooraccessories.us
 Check the web site for the up-to-date catalog

Copyright © 2015-2021, ASSA ABLOY Accessories and Door Controls Group, Inc., an ASSA ABLOY Group company. All rights reserved.
 Reproduction in whole or in part without the express written permission of ASSA ABLOY Accessories and Door Controls Group, Inc. is prohibited.

ASSA ABLOY
 Opening Solutions

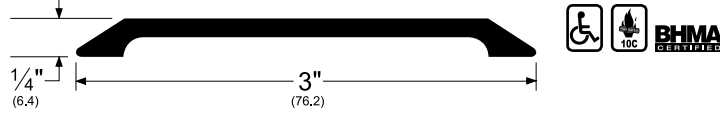
Experience a safer
 and more open world

Saddle Thresholds

- Use these with Pemko Automatic Door Bottoms to create a smooth, even sealing surface

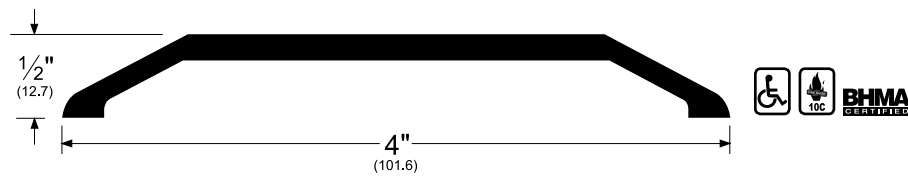
151_

AVAILABLE FINISHES: **10BE**, **A**, **B**, **BSP**, **D**, **WSP**
 ANSI (aluminum): **J32300**, **J32330**
 ANSI (brass): **J12300**, **J12330**



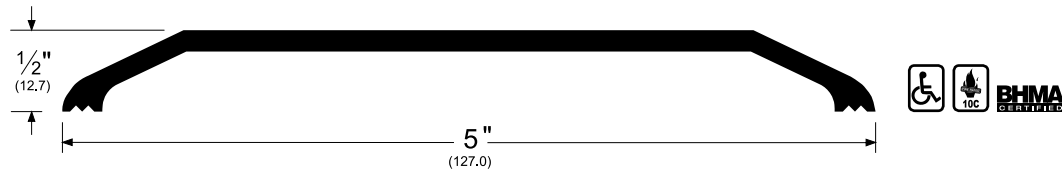
175_

AVAILABLE FINISHES: **10BE**, **A**, **B**, **BSP**, **D**, **WSP**
 ANSI (aluminum): **J32300**, **J32330**
 ANSI (brass): **J12300**, **J12330**



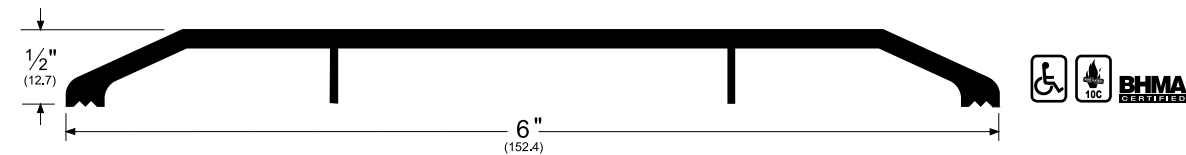
154_

AVAILABLE FINISHES: **10BE**, **A**, **BSP**, **D**, **WSP**
 ANSI (aluminum): **J32300**, **J32330**



1546_

AVAILABLE FINISHES: **10BE**, **A**, **BSP**, **D**, **WSP**
 ANSI (aluminum): **J32300**, **J32330**



1547_

AVAILABLE FINISHES: **10BE**, **A**, **BSP**, **D**, **WSP**
 ANSI (aluminum): **J32300**, **J32330**



AVAILABLE FINISHES FOR PRODUCTS SHOWN ON THIS PAGE (see General Information section for finish chart)
10BE (Satin Bronze Powder Coated Aluminum) **A** (Mill Finish Aluminum) **B** (Mill Finish [Brass] Bronze)
BSP (Black Suede Powder Coated Aluminum) **D** (Dark Bronze Anodized) **WSP** (White Suede Powder Coated Aluminum)

ASSA ABLOY
 Opening Solutions

Experience a safer
 and more open world

800-824-3018 | www.assaabloydooraccessories.us
 Check the web site for the up-to-date catalog

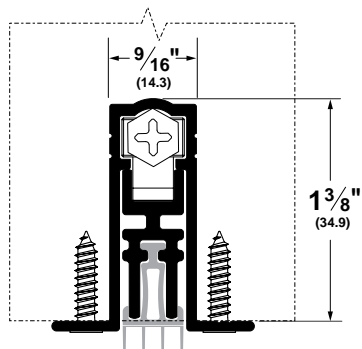
Copyright © 2015-2021, ASSA ABLOY Accessories and Door Controls Group, Inc., an ASSA ABLOY Group company. All rights reserved.
 Reproduction in whole or in part without the express written permission of ASSA ABLOY Accessories and Door Controls Group, Inc. is prohibited.

Automatic Door Bottoms - Acoustic

- Non-handed
- Recommended gap under door is 1/2" for optimal acoustic performance max drop is 3/4"
- Internal mechanism allows bar to accommodate slight imperfections in floor materials
- STC411 end plate kit is K435; for doors narrower than 1-3/4", specify end plate kit K411
- STC4131 end plate kit is K4133C for Clear Anodized and K4133D for Dark Bronze Anodized

STC411_PK

AVAILABLE FINISHES: **A**
REPLACEMENT INSERT:
PK4111 (BL)
ANSI: **R3G324, R3G325**

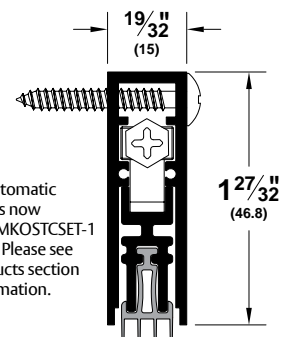


STC4131_PK

AVAILABLE FINISHES: **BSP, C, D**
REPLACEMENT INSERT: **PK4111 (BL)**
ANSI: **R3G334, R3G335, R3G344, R3G345**



NOTE: STC411_PK Automatic Door Bottom is now included in PEMKOSTCSET-1 (A through E). Please see Acoustic Products section for more information.

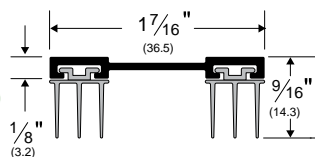


Door Shoes

- Slotted holes for easy adjustment
- Provided with stainless steel fasteners
- Use a flat saddle to create a positive sealing surface that ensures maximum acoustic performance

3692_PK773

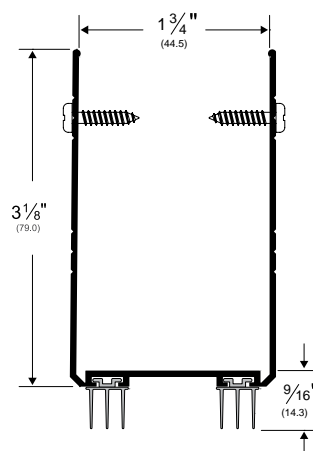
AVAILABLE FINISH: **A**
AVAILABLE LENGTHS: **36", 48"**
REPLACEMENT INSERT: **PK773 (BL, GR)**
ANSI: **R3G414, R3G415**



2212_PK773

AVAILABLE FINISHES: **10BE, A, BSP, D, G, WSP**
REPLACEMENT INSERT: **PK773 (BL)**
ANSI: **R3G416**

- Combination door shoe and kick plate
- Excellent Acoustic performance



Acoustic Adhesive Corner Pads

- Corner pad with black or white polypropylene pile, with pressure-sensitive adhesive
- Apply to corner of jamb on hinge side to seal against air and light infiltration

ACP112_

AVAILABLE COLORS: **BL, W**

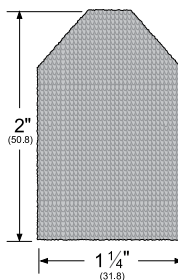


NOTE: Products shown in this section may not be drawn to scale.

AVAILABLE FINISHES FOR PRODUCTS SHOWN ON THIS PAGE (see General Information section for finish chart)

10BE (Satin Bronze Powder Coated Aluminum) **A** (Mill Finish Aluminum)
BSP (Black Suede Powder Coated Aluminum) **C** (Clear Anodized) **D** (Dark Bronze Anodized)
G (Gold Anodized) **WSP** (White Suede Powder Coated Aluminum)

Corner Pads: **BL** (Black) **W** (White)



800-824-3018 | www.assaabloydooraccessories.us

Check the web site for the up-to-date catalog

Copyright © 2015-2021, ASSA ABLOY Accessories and Door Controls Group, Inc., an ASSA ABLOY Group company. All rights reserved. Reproduction in whole or in part without the express written permission of ASSA ABLOY Accessories and Door Controls Group, Inc. is prohibited.

ASSA ABLOY
Opening Solutions

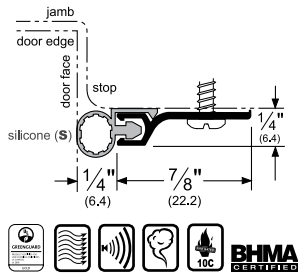
Experience a safer
and more open world

Standard Perimeter Gasketing

- Rigid jamb weatherstrip shown mounted on openings with $\frac{1}{16}$ " gaps; however, each weatherstrip can seal gaps up to the depth of its seal. Seal depth provided on each illustration (example: the **303** has a $\frac{1}{4}$ " seal; therefore, it can seal up to a $\frac{1}{4}$ " gap)
- Punched on 6" centers with slotted holes for adjustment
- Model 303 is available with self-adhesive two-sided tape (TST) and tek screws (3 slotted holes per part) for easy installation. To obtain this option, add "TST" to the end of the part when ordering (example: **303AVTST**)
- Pemko is continually commissioning tests for acoustic assemblies. More profiles may be tested from this category. Please contact Customer Service if the options here don't suit your application.

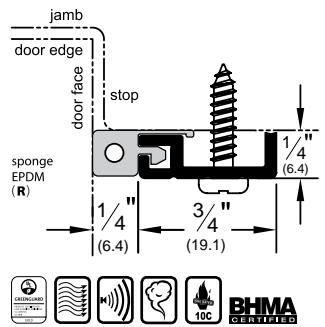
303_S

AVAILABLE FINISHES: **10BE, A, BSP, C, D, G, PW, SN, WSP**
 REPLACEMENT INSERT: **S3 (BL, GR, W)**
 ANSI: **R3E164, R3E165**



312_R

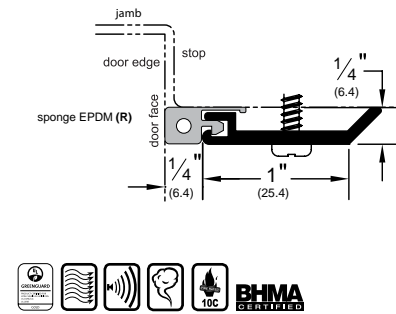
AVAILABLE FINISHES: **10BE, BSP, C, D, G, WSP**
 REPLACEMENT INSERT: **ER9BL (BL)**
 ANSI (alum): **R3G164, R3G165**



315_R

AVAILABLE FINISHES: **10BE, BSP, C, D, G, WSP**
 REPLACEMENT INSERT: **ER9BL (BL)**
 ANSI (alum): **R3G164, R3G165**

- Please consult website for correct 315BR profile.



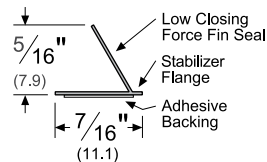
SiliconSeal Adhesive-Backed Gasketing

- SiliconSeal is extruded from high-temperature silicone; effective between -58°F and 450°F
- Self-extinguishing and non-toxic; unaffected by sunlight, ozone, and ultraviolet rays
- Impervious to fungus and mildew; will not deteriorate under normal exposure
- Meets FAR 25.853 Airworthiness Standards for Compartment Interiors

S44_

AVAILABLE FINISHES: **BL, C, D, GR, W**
 AVAILABLE LENGTHS: **17', 18' 20', 21', 25', 30', 204', 510'**
 ANSI: **R0E154, R0E155**

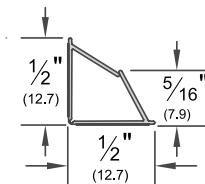
- Designed for tighter frames
- Demonstrates extremely low closing force
- Seal begins compressing at $\frac{5}{16}$ "; compresses to seal up to a $\frac{1}{16}$ " gap



S442_

AVAILABLE FINISHES: **BL, D, GR, W**
 AVAILABLE LENGTHS: **17', 18', 20', 21', 25', 30', 510'**
 ANSI: **R0E154, R0E155**

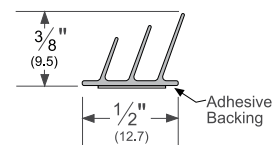
- Fits flush into corner
- Seal begins compressing at $\frac{5}{16}$ "; compresses to seal up to a $\frac{1}{16}$ " gap in either direction



S773_

AVAILABLE FINISHES: **BL, D, GR, W**
 AVAILABLE LENGTHS: **17', 18', 20', 21', 25', 30', 250', 500'**
 ANSI: **R0E154, R0E155**

- Triple-fin design effectively blocks light and sound from infiltrating a room
- Seal begins compressing at $\frac{3}{8}$ "; compresses to seal up to a $\frac{1}{16}$ " gap



NOTE: Products shown in this section may not be drawn to scale.

AVAILABLE FINISHES FOR PRODUCTS SHOWN ON THIS PAGE (see General Information section for finish chart)

Metal: **10BE** (Satin Bronze Powder Coated Aluminum) **A** (Mill Finish Aluminum)
BSP (Black Suede Powder Coated Aluminum) **D** (Dark Bronze Anodized) **G** (Gold Anodized)
PW (Painted White) **SN** (Satin Nickel Anodized) **WSP** (White Suede Powder Coated Aluminum)
 SiliconSeal: **BL** (Black) **C** (Clear) **D** (Dark) **GR** (Gray) **W** (White)

ASSA ABLOY
 Opening Solutions

Experience a safer
 and more open world

800-824-3018 | www.assaabloydooraccessories.us

Check the web site for the up-to-date catalog

Copyright © 2015-2021, ASSA ABLOY Accessories and Door Controls Group, Inc., an ASSA ABLOY Group company. All rights reserved. Reproduction in whole or in part without the express written permission of ASSA ABLOY Accessories and Door Controls Group, Inc. is prohibited.



CONTENTS:

H180A Series	228
SHS80 Series	229
Sliding 200 Series	230
Side Wall Track (SWT) System	231
Bypass Track Series	234
SIM200A Series	235
LP200 Series	236
Sirocco Series	237
H300S-OH Series	238
H300S-SW Series	239
H440A-OH Series	240
H440A-SW Series	241
H600S-OH Series	242
H600S-SW Series	243
H800S-OH Series	244
H800S-SW Series	245
H1100A-OH Series	246
H1100A-SW Series	247
Husky Sliding Glass Series	248
Pocket Frame Kit	249
Folding 100 Series	250
Pacer Interior End Fold Series	251
Flexirol Interior End Fold Series	252
Stainless Steel Sliding Track Hardware System for Wood Doors	253
Stainless Steel Sliding Track Hardware System for Glass Doors	262
Builders Series Flat Track for Wood Doors	264
Designer Series Flat Track for Wood Doors	266
SIM 150 - 2 Door	270
SIM 150 - 3 Door	271
Cascading Door with Sample Configurations	272
SDL Privacy Barn Door Lock	273
Options and Accessories	274
Privacy Seal Sets	274
Soft Close Systems	275

INDEX:

PRODUCT	PAGE	PRODUCT	PAGE	PRODUCT	PAGE	PRODUCT	PAGE	PRODUCT	PAGE
12.....	262	1AX/290.....	239	57K/N	238-239	H222R1	228-235, 249, 272	PFHB-1	249
32.....	263	1AX/301.....	243, 245	600A.....	240-241, 251	H300S-OH.....	238	PFHB-2	249
62.....	253-255	1B.....	241	601H.....	229, 235, 248, 272, 274	H300S-SW.....	239	PFHS.....	249
72.....	256	1BX.....	241	601P.....	240-241	H440A-OH.....	240	PFKIT-4	249
82.....	257	21/550/P.....	252	8-12/SN	248	H440A-SW.....	241	PFKIT-8	249
92.....	258	21B/P.....	251	89/2N	238-247	H600S-OH.....	242	PIF2/165A.....	251
111.....	259-261	21BO/4.....	251	94A.....	228-236, 238-247, 250-252, 274	H600S-SW.....	243	PIF4/165A.....	251
280.....	228-230, 235-236, 250	21N/94.....	251	971A.....	228-230, 235-236, 238, 240, 242, 244, 246, 250-252, 274	H800S-OH.....	244	SDL.....	273
281.....	229-230, 235-236, 248, 250, 274	21R/94.....	252	BAR.....	253-263	H800S-SW.....	245	SHS80.....	229
283.....	250	280_-SWF.....	231	BRACKET2	253-263	HBP200A.....	234	SIM100.....	235
290.....	238-239	280_-SWT.....	231-233	EPD3	228-230, 234-235, 253-261, 264-265, 270-272	HF2/100.....	250	SIM150.....	270-271
301.....	242-245	2802.....	234, 272	EPD3	228-230, 234-235, 253-261, 264-265, 270-272	HF2/100PACK.....	250, 274	SIM150-BOLTKIT.....	270-272
2812.....	234, 272, 274	2802BT.....	234, 274	F134.....	228-230, 234-235, 270-272, 274	HF4/100.....	250	SIM150-LOCKKIT.....	270-272
102N.....	228-236, 238-245, 253-261, 264-265, 274	2803.....	270-272	F160C.....	240	HH3/290.....	238-239	SIM200A.....	235
102WA.....	228, 230-233, 235, 239, 241, 245, 274	280 SWTKIT.....	231	F160ECP.....	240	HH3/301.....	242-247	SIRF/2500.....	237
102WN.....	228-233, 235, 239, 241, 243, 245, 264-269	282HD.....	250	F200C.....	241	K1077_-SWEP.....	228	SIRLH /SIRRH.....	237
106HF/94.....	250	284D.....	248	F200ECP.....	241	K134EP.....	229-230, 235, 274	SOFT CLOSE.....	275-277
106N/94.....	274	287R1-KIT.....	228, 230, 234	G60 to G70.....	262-263	K28_-SWEP.....	231	STOP1.....	256, 263, 274
106R/94.....	228-236, 238-249, 274	289B.....	250	GLASSGUIDE.....	262-263	LH100.....	236	STOP2.....	253, 255-259, 261-263
1075C.....	228	289T.....	250	FIF2/275A.....	252	LP200A.....	236	W60 to W100.....	253-261
1076.....	272	3A/290.....	238	H200PACK.....	230-234, 274	PF134 KIT.....	249		
1A/290.....	239	3A/301.....	242, 244	H1100A-OH.....	246	PF28200A.....	249		
1A/290/EC.....	238-239	3AX/290.....	238	H1100A-SW.....	247	PFAS.....	249		
1A/301.....	243-245	3AX/301.....	242, 244	H180A.....	228	PFAS100.....	249		
1A/301/EC.....	242-245	403/2.....	251-252	H200.....	230	PFAS88.....	249		
1A/550.....	247	550A.....	246-247, 252			PFBG-4.....	249, 274		
		556/21.....	252			PFBG-8.....	249, 274		
		556/57.....	246-247			PFBS.....	249, 274		
		57A/N.....	244-245			PFCDKIT.....	249		
		57A/S.....	242-243			PFFC-8.....	249		
		57B.....	240-241						

800-824-3018 | www.assaabloydooraccessories.us

Check the web site for the up-to-date catalog

Copyright © 2015-2021, ASSA ABLOY Accessories and Door Controls Group, Inc., an ASSA ABLOY Group company. All rights reserved. Reproduction in whole or in part without the express written permission of ASSA ABLOY Accessories and Door Controls Group, Inc. is prohibited.

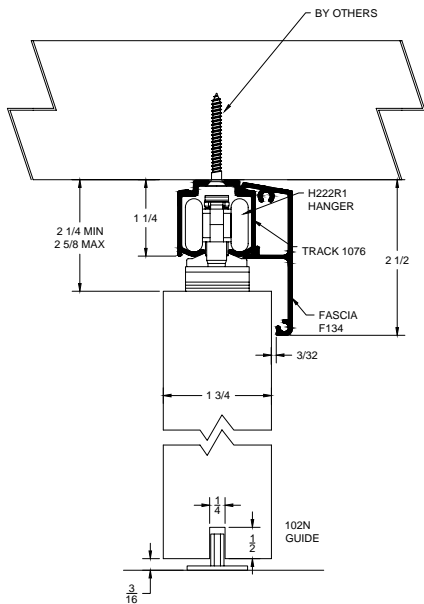
ASSA ABLOY
Opening Solutions

Experience a safer
and more open world

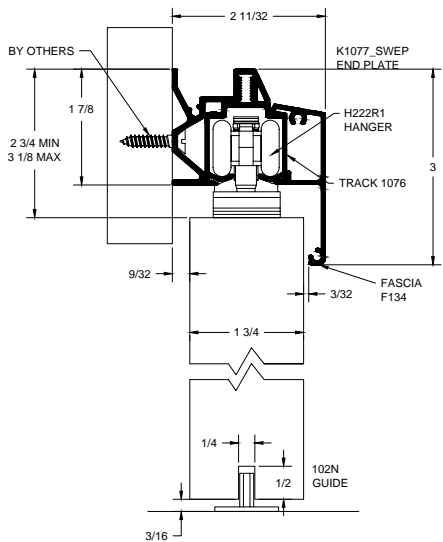
H180A Series

For Sliding Panels up to 200 lbs.

Overhead Mount



Side Wall Mount



Configurations:

- Single
- Bi-parting

Installations:

- Overhead Mount
- Side Wall Mount

Features:

- Hanger body is made of nickel plated zinc alloy for durability and long life
- Steel ball bearing wheels coated in nylon for smooth operation
- 200 lb. panel capacity
- Optional side wall bracket reduces the amount of wall space needed to mount the track
- Optional Soft Close
- 5 year warranty
- Meets ADA push force requirements

H180A Kits Include:

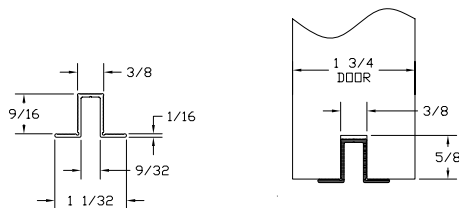
- 1 ea **280C** Clear Anodized Aluminum Track
- 2 ea **H222R1** - Nickel Plated Zinc Alloy Body Zinc Alloy Wheels Coated in Nylon
- 2 ea **287R1-KIT** Rubber Bumper In-Track Stop
- 1 ea **102N** White Nylon Mortise Guide

Standard Kit Sizes			
Part Number	Material	Track Length	Door Width
H180A/6	Aluminum	72"	36"
H180A/8	Aluminum	96"	48"

Options:

- Fascia **F134C** clear anodized aluminum fascia
F134D dark bronze anodized fascia
 - Side Wall Track Bracket **1075C** clear anodized aluminum bracket- order same length as track
280D dark bronze anodized track
 - Track **K1077C-SWEP** (use with F134C fascia and 1075C side wall bracket only)
 - End Plate Kit **94A**
106R/94
 - Bottom Channel **971A**
 - Roller Guide **102WN** (nylon) and **102WA** (steel)
 - Threshold **EPD3BL** for use with 102N or 102WN
 - Side Wall Mount Mortise Guides Polypropylene Guide Rail
- Soft Close available. See pages 275-277 for more information.

Alternate Route for EPD3BL



ASSA ABLOY
Opening Solutions

Experience a safer
and more open world

800-824-3018 | www.assaabloydooraccessories.us

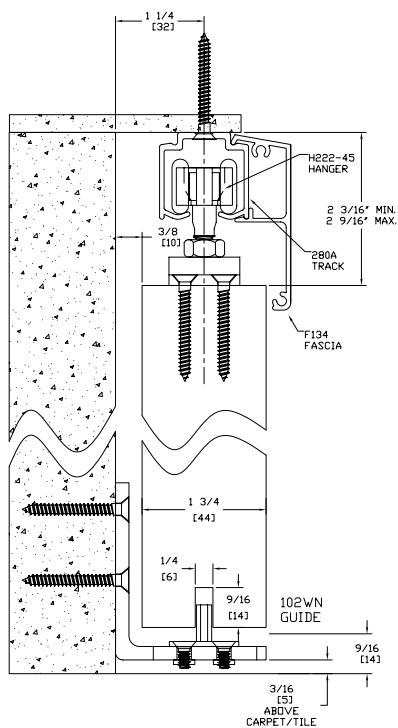
Check the web site for the up-to-date catalog

Copyright © 2015-2021, ASSA ABLOY Accessories and Door Controls Group, Inc., an ASSA ABLOY company. All rights reserved. Reproduction in whole or in part without the express written permission of ASSA ABLOY Accessories and Door Controls Group, Inc. is prohibited.

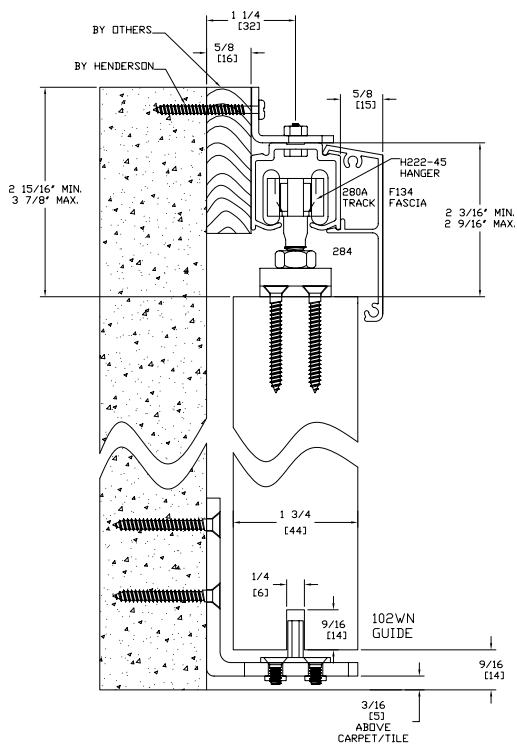
SHS80 Series

For Sliding Panels up to 200 lbs.

Overhead Mount



Side Wall Mount



SHS80-SW
SLIDING DOOR HARDWARE W/FASCIA
SIDE WALL MOUNT 1 3/4" DOORS

800-824-3018 | www.assaabloydooraccessories.us

Check the web site for the up-to-date catalog

Copyright © 2015-2021, ASSA ABLOY Accessories and Door Controls Group, Inc., an ASSA ABLOY Group company. All rights reserved. Reproduction in whole or in part without the express written permission of ASSA ABLOY Accessories and Door Controls Group, Inc. is prohibited.

Configurations:

- Single
- Bi-parting

Installations:

- Overhead Mount
- Side Wall Mount

Features:

- Hanger body is made of nickel plated zinc alloy for durability and long life
- Steel ball bearing wheels coated in nylon for smooth operation
- 200 lb. panel capacity
- Optional Soft Close
- 5 year warranty
- Meets ADA push force requirements

SHS80 Kits Include:

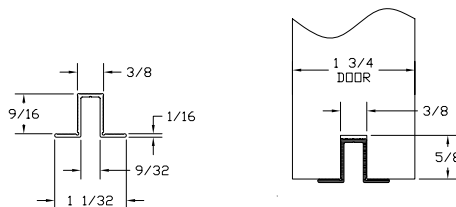
- 1 ea **280C** Clear Anodized Aluminum Track
- 2 ea **H222R1** - Nickel Plated Zinc Alloy Body
- 2 ea **601H** Nylon In-Track Clip Stop
- 1 ea **102WN** White Nylon Mortise Guide on Zinc Plated Steel "L" Metal

Standard Kit Sizes			
Part Number	Material	Track Length	Door Width
SHS80/6	Aluminum	72"	36"
SHS80/8	Aluminum	96"	48"

Options:

- Fascia **F134C** clear anodized aluminum fascia
F134D dark bronze anodized fascia
- Side Wall Track Brackets **PC2815** available as 5 pack only, PC2815 pack of 5 281 zinc plated side wall bracket. NOTE: Need one at each end and no more than 2 feet in-between. Fasteners included.
- Track **280D** dark bronze anodized track
- End Plate Kit **K134EP** (use with F134C and 280C only)
- Bottom Channel **94A**
- Roller Guide **106R/94**
- Threshold **971A**
- Side Wall Mount **SHS80/PACK**
- Extra Hardware Pack **102N**
- Mortise Floor Guide **EPD3BL** for use with 102N or 102WN
- Polypropylene Guide Rail **Soft Close** available. See pages 275-277 for more information.

Alternate Route for EPD3BL



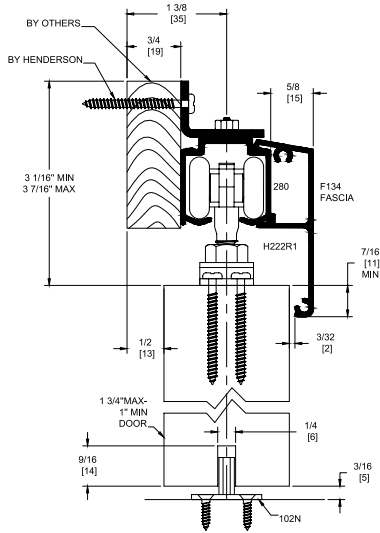
ASSA ABLOY
Opening Solutions

Experience a safer
and more open world

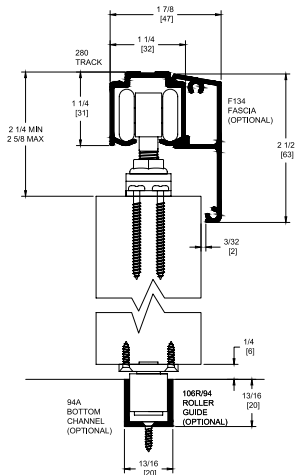
Sliding 200 Series

For Sliding Panels up to 200 lbs.
Manufactured by P.C. Henderson

280C Side Wall Mounted



280C Soffit Mounted with Fascia



Configurations:

- Single
- Bi-parting

Installations:

- Overhead Mount
- Side Wall Mount

Features:

- Hanger body is made of nickel plated zinc alloy for durability and long life
- Steel ball bearing wheels coated in nylon for smooth operation
- 200 lb. panel capacity
- Galvanized steel track 280
- Clear anodized aluminum track 280C
- Optional Soft Close
- 5 year warranty
- Meets ADA push force requirements

H200A Kits Include:

- 1 ea **280C** Clear Anodized Aluminum Track
- 2 ea **H222R1** Hangers
- 1 ea **102N** Nylon Guide
- 2 ea **TELS-14KIT** Stops
- 1 ea Adjusting Wrench and Mounting Hardware

H200 Kits Include:

- 1 ea **280** Steel Track
- 2 ea **H222R1** Hangers
- 1 ea **102N** Nylon Guide
- 2 ea **TELS-14KIT** Stops
- 1 ea Adjusting Wrench and Mounting Hardware

Standard Kit Sizes

Part Number	Material	Track Length	Door Width
H200A/4	Aluminum	48"	24"
H200A/6	Aluminum	72"	36"
H200A/7	Aluminum	84"	42"
H200A/8	Aluminum	96"	48"
H200A/10	Aluminum	120"	60"
H200A/12	Aluminum	144"	72"
H200/6	Steel	72"	36"
H200/8	Steel	96"	48"

Options:

Hardware Kit
Mounting Bracket

H200PACK

PC2815 available as 5 pack only, **PC2815** pack of 5 281 zinc plated side wall bracket
NOTE: Need one at each end and no more than 2 feet in-between
Fasteners included

Track Stop (bumper)
Bottom Channel
Fascia, Snap-On

287R1-KIT

94A
F134C in clear anodized (**280C** only)
F134D dark bronze anodized fascia

Track
Roller Guide
Side Wall Mortise Guide
Threshold
End Plate

280D dark bronze anodized
106R/94

102WA (steel) and **102WN** (nylon)

971A

K134EP (use with F134C and 280C only)

Polypropylene Guide Rail

EPD3BL for use with 102N or 102WN

Soft Close available. See pages 275-277 for more information.

ASSA ABLOY
Opening Solutions

Experience a safer
and more open world

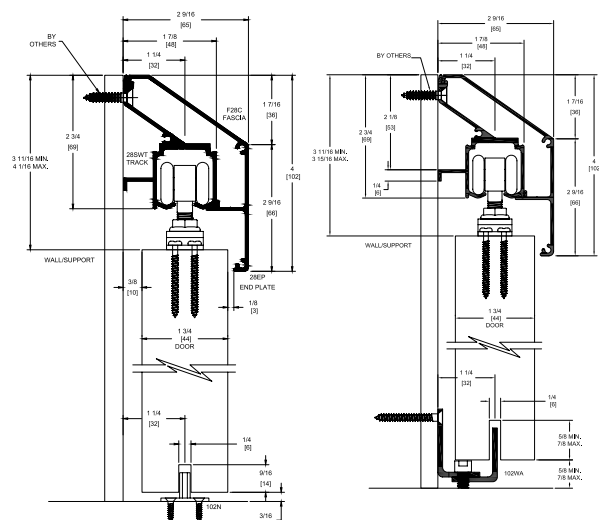
Side Wall Track (SWT) System

For Sliding Panels up to 200 lbs.

The Pemko Side Wall Track System has a unique mounting bracket that is extruded with the track. An innovative wall mounted bottom guide assembly allows carpet to be replaced without removing the door.



SWT Kit Side Wall Mounted



Configurations:

- Single
- Bi-parting

Installations:

- Side Wall Mount

Features:

- Unique mounting bracket extruded into track
- Supports up to 200 lbs. per door
- Quick, easy attachment
- New construction or retrofit
- Optional Soft Close
- 5 year warranty
- Meets ADA push force requirements

280SWT Kits Include:

- 1ea **280_-SWT** Aluminum Track
- 1ea **280_-SWF** Aluminum Fascia
- 1ea **K28_-SWEP** Pair of End Plates
- 2ea **H222R1** Hangers
- 2ea **TELS-14KIT** In Track Stops
- 1ea **102N** White Nylon Mortise Guide
- 1ea **102WA** Wall Mounted Mortise Guide
- 1ea **Adjusting Wrench**

Standard Kit Sizes

Part Number	Track Length	Door Width
(Mill Finished Track/Clear Anodized Fascia/End Plates)		
280C-SWTKIT/6	72"	36"
280C-SWTKIT/8	96"	48"
280C-SWTKIT/12*	144"	2 @ 36"
(Dark Bronze Anodized Track/Fascia/End Plates)		
280D-SWTKIT/6	72"	36"
280D-SWTKIT/8	96"	48"
280D-SWTKIT/12*	144"	2 @ 36"

*NOTE: 280_-SWTKIT/12 comes with enough hardware for two doors.

Options:

Hardware Kit (one door) **H200PACK**

Roller Guide **106R/94**

Bottom Channel **94A**

Nylon Mortise Guide **102WN**

Stainless Steel Flush Bolt **FB150SS**

Stainless Steel Flush Pull **503SF**

Soft Close available. See pages 275-277 for more information.

AVAILABLE FINISHES FOR PRODUCTS SHOWN ON THIS PAGE (see General Information section for finish chart)

A (Mill Finish Aluminum) C (Anodized Aluminum) D (Dark Bronze Anodized)

800-824-3018 | www.assaabloydooraccessories.us

Check the web site for the up-to-date catalog

Copyright © 2015-2021, ASSA ABLOY Accessories and Door Controls Group, Inc., an ASSA ABLOY Group company. All rights reserved. Reproduction in whole or in part without the express written permission of ASSA ABLOY Accessories and Door Controls Group, Inc. is prohibited.

ASSA ABLOY
Opening Solutions

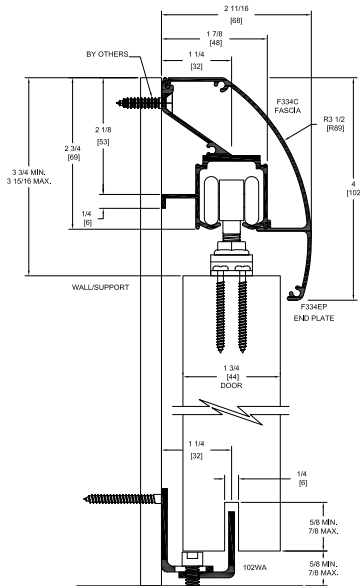
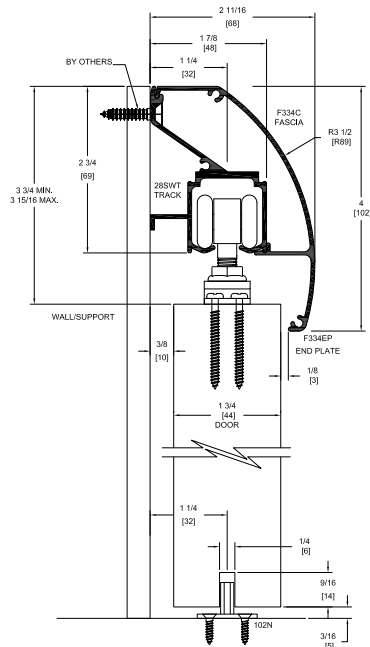
Experience a safer
and more open world

Side Wall Track System with Radius Fascia (RF280_-SWTK)

For Sliding Panels up to 200 lbs.

Pemko Side Wall Track Systems have a unique mounting bracket that is extruded into the track. An innovative wall mounted bottom guide assembly allows carpet to be replaced without removing the door.

SWT Kit Side Wall Mounted



Configurations:

- Single
- Bi-parting

Installations:

- Side Wall Mount

Features:

- Unique mounting bracket extruded into track
- Supports up to 200 lbs. per door
- Quick, easy attachment
- New construction or retrofit
- Optional Soft Close
- 5 year warranty
- Meets ADA push force requirements

RF280 SWT Kits Include:

- 1ea **280_-SWT** Aluminum Track
- 1ea **F334_** Aluminum Fascia
- 1ea **KF334_-SWEP** Pair of End Plates
- 2ea **H222R1** Hangers
- 2ea **TELS-14KIT** In Track Stops
- 1ea **102N** White Nylon Mortise Guide
- 1ea **102WA** Wall Mounted Mortise Guide
- 1ea Adjusting Wrench

Standard Kit Sizes

Part Number	Track Length	Door Width
(Mill Finished Track/Clear Anodized Fascia/End Plates)		
RF280C-SWTK/6	72"	36"
RF280C-SWTK/8	96"	48"
RF280C-SWTK/12 *	144"	2 @ 36"
(Dark Bronze Anodized Track/Fascia/End Plates)		
RF280D-SWTK/6	72"	36"
RF280D-SWTK/8	96"	48"
RF280D-SWTK/12 *	144"	2 @ 36"

*NOTE: RF280_-SWTK/12 comes with enough hardware for two doors.

Options:

- Hardware Kit (one door) **H200PACK**
- Roller Guide **106R/94**
- Bottom Channel **94A**
- Nylon Mortise Guide **102WN**
- Stainless Steel Flush Bolt **FB150SS**
- Stainless Steel Flush Pull **503SF**

Soft Close available. See pages 275-277 for more information.

AVAILABLE FINISHES FOR PRODUCTS SHOWN ON THIS PAGE (see General Information section for finish chart)
 A (Mill Finish Aluminum) C (Clear Anodized) D (Dark Bronze Anodized)

ASSA ABLOY
Opening Solutions

Experience a safer
and more open world

800-824-3018 | www.assaabloydooraccessories.us

Check the web site for the up-to-date catalog

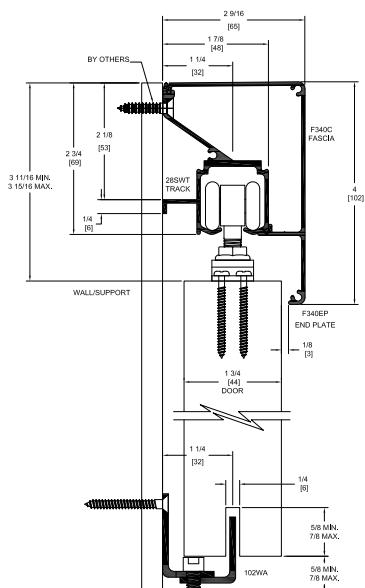
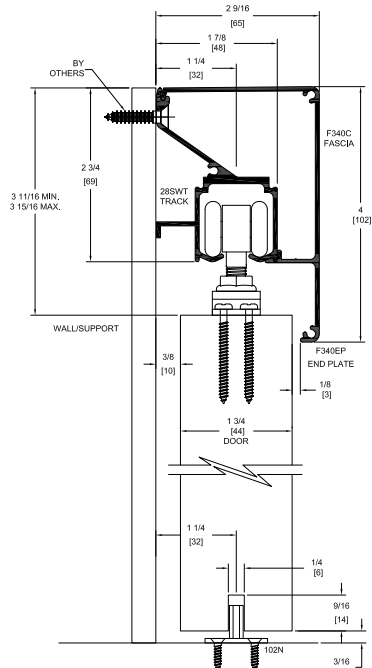
Copyright © 2015-2021, ASSA ABLOY Accessories and Door Controls Group, Inc., an ASSA ABLOY company. All rights reserved. Reproduction in whole or in part without the express written permission of ASSA ABLOY Accessories and Door Controls Group, Inc. is prohibited.

Side Wall Track System with Square Fascia (SF280_-SWTK)

For Sliding Panels up to 200 lbs.

Pemko Side Wall Track Systems have a unique mounting bracket that is extruded with the track. An innovative wall mounted bottom guide assembly allows carpet to be replaced without removing the door.

SWT Kit Side Wall Mounted



Configurations:

- Single
- Bi-parting

Installations:

- Side Wall Mount

Features:

- Unique mounting bracket extruded into track
- Supports up to 200 lbs. per door
- Quick, easy attachment
- New construction or retrofit
- Optional Soft Close
- 5 year warranty
- Meets ADA push force requirements

SF280SWT Kits Include:

- 1ea **280_-SWT** Aluminum Track
- 1ea **F340_** Aluminum Fascia
- 1ea **KF340_-SWEP** Pair of End Plates
- 2ea **H222R1** Hangers
- 2ea **TELS-14KIT** In Track Stops
- 1ea **102N** White Nylon Mortise Guide
- 1ea **102WA** Wall Mounted Mortise Guide
- 1ea Adjusting Wrench

Standard Kit Sizes

Part Number	Track Length	Door Width
(Mill Finished Track/Clear Anodized Fascia/End Plates)		
SF280C-SWTK/6	72"	36"
SF280C-SWTK/8	96"	48"
SF280C-SWTK/12 *	144"	2 @ 36"
(Dark Bronze Anodized Track/Fascia/End Plates)		
SF280D-SWTK/6	72"	36"
SF280D-SWTK/8	96"	48"
SF280D-SWTK/12 *	144"	2 @ 36"

*NOTE: SF280_-SWTK/12 comes with enough hardware for two doors.

Options:

- Hardware Kit (one door) **H200PACK**
- Roller Guide **106R/94**
- Bottom Channel **94A**
- Nylon Mortise Guide **102WN**
- Stainless Steel Flush Bolt **FB150SS**
- Stainless Steel Flush Pull **503SF**
- Soft Close available. See pages 275-277 for more information.

AVAILABLE FINISHES FOR PRODUCTS SHOWN ON THIS PAGE (see General Information section for finish chart)
A (Mill Finish Aluminum) C (Clear Anodized) D (Dark Bronze Anodized)

800-824-3018 | www.assaabloydooraccessories.us
Check the web site for the up-to-date catalog

Copyright © 2015-2021, ASSA ABLOY Accessories and Door Controls Group, Inc., an ASSA ABLOY Group company. All rights reserved.
Reproduction in whole or in part without the express written permission of ASSA ABLOY Accessories and Door Controls Group, Inc. is prohibited.

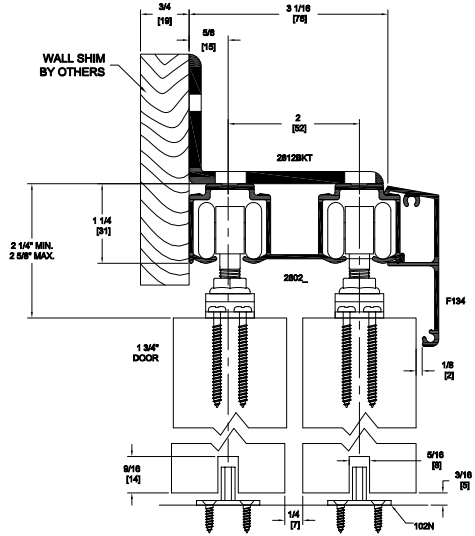
ASSA ABLOY
Opening Solutions

Experience a safer
and more open world

Bypass Track Series

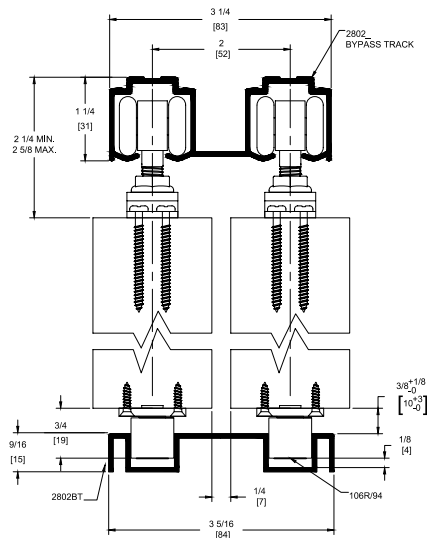
For Bypass Panels up to 200 lbs.

1 3/4" Thick Doors Side Wall Mount



NOTE: Route door 9/16" deep by 1/4" wide to receive 102N Guide.

1 3/4" Thick Doors Overhead Mount



* Side Wall mounting: use one (1) 2812KIT at each end of track and 24" on center

Configurations:

- For Bypass Doors

Features:

- Fits 1 3/8" and 1 3/4" doors
- Hanger body is made of nickel plated zinc alloy for durability and long life
- Steel ball bearing wheels coated in nylon for smooth operation
- 200 lb. panel capacity
- Load capacity 200 lbs. per door panel (2 hangers)
- Extruded aluminum track
- Optional Soft Close
- 5 year warranty
- Meets ADA push force requirements

HBP200A Kits Include:

- 1 ea **2802C** Clear Anodized Aluminum Track
- 4 ea **H222R1** Hangers
- 2 ea **102N** White Nylon Mortise Guide
- 4 ea **TELS-14KIT** In Track Stops
- 1 ea Adjusting Wrench and Mounting Hardware

Standard Kit Sizes

Part Number	Track Length	Door Width
HBP200A/4	48"	2 @ 26" Min*
HBP200A/5'4	64"	2 @ 34" Min*
HBP200A/6	72"	2 @ 38" Min*
HBP200A/7	84"	2 @ 44" Min*
HBP200A/8	96"	2 @ 50" Min*
HBP200A/10	120"	2 @ 62" Min*
HBP200A/12	144"	2 @ 74" Min*

*Minimum door overlap is 2".

Options:

- Hardware Kit **H200PACK**
- Mounting Bracket **2812KIT**
- Track **2802D** dark bronze anodized track
- Track Stop (bumper) **287R1-KIT**
- Bottom Channel **94A**
- Fascia, Snap-On **F134C** clear anodized aluminum fascia. **F134D** dark bronze anodized aluminum fascia
- Roller Guide **106R/94**
- Dual Guide Channel **2802BT**
- Polypropylene Guide Rail **EPD3BL** for use with 102N
- Soft Close available. See pages 275-277 for more information.

ASSA ABLOY
Opening Solutions

Experience a safer
and more open world

AVAILABLE FINISHES FOR PRODUCTS SHOWN ON THIS PAGE (see General Information section for finish chart)
A (Mill Finish Aluminum) C (Clear Anodized)

800-824-3018 | www.assaabloydooraccessories.us
Check the web site for the up-to-date catalog

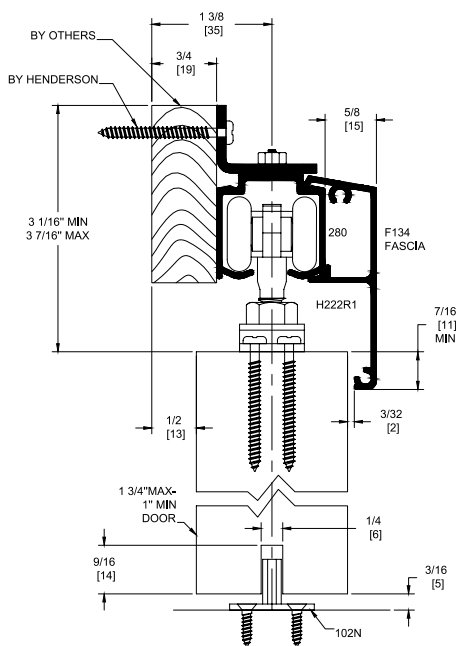
Copyright © 2015-2021, ASSA ABLOY Accessories and Door Controls Group, Inc., an ASSA ABLOY Group company. All rights reserved. Reproduction in whole or in part without the express written permission of ASSA ABLOY Accessories and Door Controls Group, Inc. is prohibited.

SIM200A Series

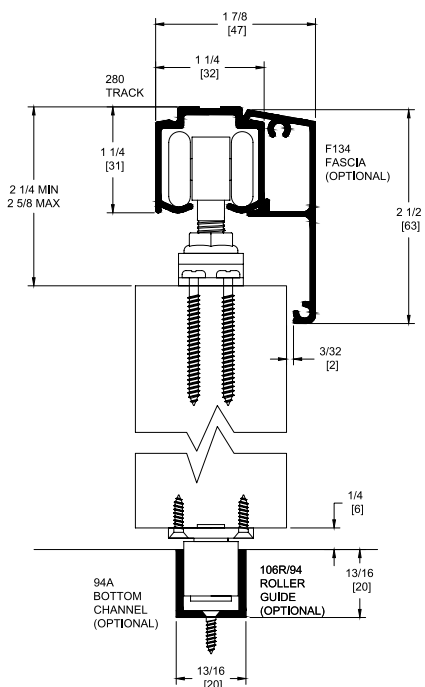
For Sliding Doors up to 48" wide and 200 lbs.

Manufactured by P.C. Henderson

Side Wall Mount



Overhead Mount



Simultaneous Action Unit (SIM) allows the simultaneous operation of two doors.

Configurations:

- Bi-parting

Installations:

- Overhead Mount
- Side Wall Mount

Features:

- Allows individual bi-part doors to act as a single operating unit. When one door is opened or closed, the second door operates simultaneously
- 200 lb. panel capacity
- Hanger body is made of nickel plated zinc alloy for durability and long life
- Steel ball bearing wheels coated in nylon for smooth operation
- Clear anodized aluminum track 280C
- 2 year warranty

SIM200A Kits Include:

- 1 ea **280C** Clear Anodized Aluminum Track
- 4 ea **H222R1** Hangers
- 4 ea **601H** Nylon In-Track Clip Stop
- 2 ea **102N** White Nylon Mortise Guide
- 1 ea **SIM100** Cable and Pulley Kit

Standard Kit Sizes

Part Number	Material	Track Length	Door Width
SIM200A/6	Aluminum	72"	2 @ 18"
SIM200A/8	Aluminum	96"	2 @ 24"
SIM200A/12	Aluminum	2 @ 72"	2 @ 36"
SIM200A/16	Aluminum	2 @ 96"	2 @ 48"

Options:

- Fascia
 - F134C** clear anodized aluminum fascia
 - F134D** dark bronze anodized fascia
 - 280D** dark bronze anodized
- Side Wall Track Brackets
 - PC2815** available as 5 pack only, **PC2815** pack of 5 281 zinc plated side wall bracket. NOTE: Need one at each end and no more than 2 feet in-between. Fasteners included.
- End Plates
 - K134EP** (use with F134C only)
- Bottom Channel
 - 94A**
- Roller Guide
 - 106R/94**
- Threshold
 - 971A**
- Side Wall Mortise Guides
 - 102WN** (nylon) and **102WA** (steel)
- Polypropylene Guide Rail
 - EPD3BL** for use with 102N or 102WN

800-824-3018 | www.assaabloydooraccessories.us

Check the web site for the up-to-date catalog

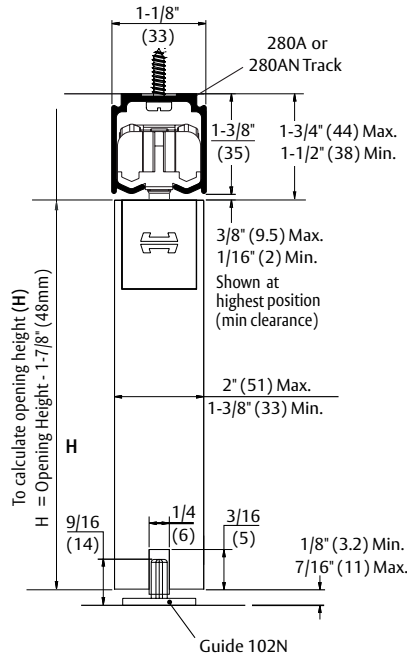
Copyright © 2015-2021, ASSA ABLOY Accessories and Door Controls Group, Inc., an ASSA ABLOY Group company. All rights reserved. Reproduction in whole or in part without the express written permission of ASSA ABLOY Accessories and Door Controls Group, Inc. is prohibited.

ASSA ABLOY
Opening Solutions

Experience a safer
and more open world

LP200 Series

For Sliding Panels up to 200 lbs.
 Manufactured by P.C. Henderson



Low profile design for use where space is limited.

Configurations:

- Single
- Bi-parting

Installations:

- Overhead Mount
- Side Wall Mount

Features:

- Used to maximize door height
- Designed to give a modern clean finish with all parts concealed. Ideal for applications where minimal clearance between track and door is required
- Easy installation and adjustment
- 200 lb. panel capacity
- Needle bearing nylon wheels for smooth operation
- Clear anodized aluminum track 280C
- 2 year warranty
- Meets ADA push force requirements

LP200A Kits Include:

- 1 ea **280C** Clear Anodized Aluminum Track
- 1 ea **LH100** Hardware Kit

LH100 Hardware Kits Include:

- 2 ea Low Head Room Units
- 2 ea End Caps
- 2 ea In-Track Clip Stops
- 1 ea Screw Pack
- 2 ea Low Head Room Hangers
- 1 ea **102N** White Nylon Mortise Guide
- 1 ea Small Spanner and 4mm Allen Key

Standard Kit Sizes			
Part Number	Material	Track Length	Door Width
LP200A/6	Aluminum	72"	36"
LP200A/8	Aluminum	96"	48"
LP200A/10	Aluminum	120"	60"

Options:

- Side Wall Track Bracket **PC2815** available as 5 pack only, **PC2815** pack of 5 281 zinc plated side wall bracket
 NOTE: Need one at each end and no more than 2 feet in-between. Fasteners included.
- Bottom Channel **94A**
- Roller Guide **106R/94**
- Threshold **971A**

ASSA ABLOY
 Opening Solutions

Experience a safer
 and more open world

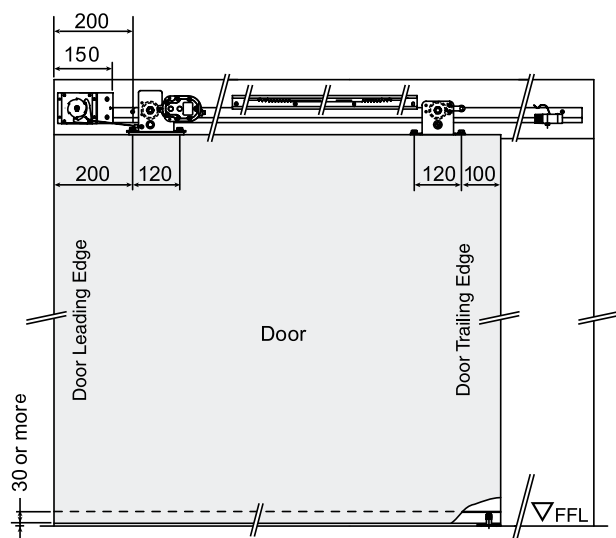
800-824-3018 | www.assaabloydooraccessories.us
 Check the web site for the up-to-date catalog

Copyright © 2015-2021, ASSA ABLOY Accessories and Door Controls Group, Inc., an ASSA ABLOY Group company. All rights reserved. Reproduction in whole or in part without the express written permission of ASSA ABLOY Accessories and Door Controls Group, Inc. is prohibited.

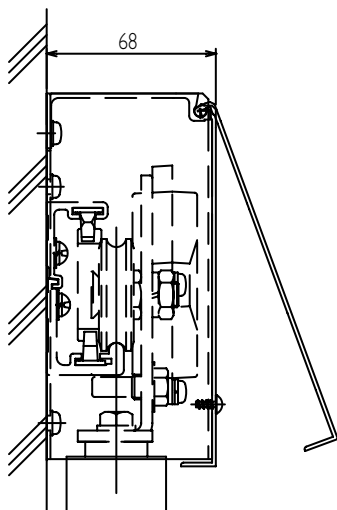
Sirocco Series

For Sliding Panels up to 176 lbs.

Manufactured by P.C. Henderson



Right Hand SIRRH Shown Above and Below



The Sirocco system is a quiet, user friendly, self closing system which brings the door gently to a close.

The integrated hydraulic soft stop brings the door to a safe and cushioned close making it ideal for disabled access systems or public areas. The internal door brake can also be adjusted to allow the user to dictate the speed of opening preventing damage to the door and system.

Configurations:

- Single

Installations:

- Side Wall Mount

Features:

- Self closing system for a single door from 31 $\frac{1}{2}$ " to 47 $\frac{1}{4}$ " wide and up to 176 lbs.
- Interior applications only
- Comes complete with a hydraulically controlled soft close feature
- Adjustable closing speed
- Door brake to reduce opening speed to prevent damage to the door and system
- Optional hold open unit giving adjustable time delay before self closing
- Operational between temperature ranges of 50 to 104 degrees Fahrenheit
- 2 year warranty
- Meets ADA push force requirements

Sirocco Series Kits Include:

- 1 ea Track 86.61" long
- 1 ea Leading hanger
- 1 ea Trailing hanger
- 1 ea Hydraulic Control Unit
- 1 ea Closing brake rack
- 1 ea Opening brake rack
- 1 ea Power spring mounting bracket
- 7 ea Height adjustment plates
- 1 ea Power spring unit
- 1 ea Guide roller
- 1 ea Opening door stop
- 1 ea Door stop roller
- 1 ea Closing door stop
- 2 ea Wooden door plate (and all required screws and bolts)

Standard Kits

Part Number	Description
SIRRH	Right Hand Opening Kit
SIRLH	Left Hand Opening Kit

Options:

- SIRF/2500** 98" Fascia and End Plates

800-824-3018 | www.assaabloydooraccessories.us

Check the web site for the up-to-date catalog

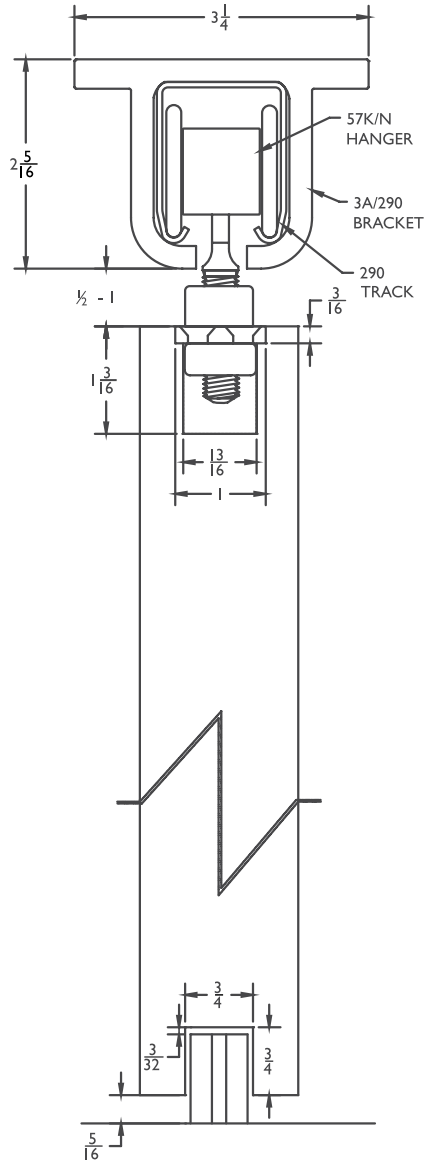
Copyright © 2015-2021, ASSA ABLOY Accessories and Door Controls Group, Inc., an ASSA ABLOY Group company. All rights reserved. Reproduction in whole or in part without the express written permission of ASSA ABLOY Accessories and Door Controls Group, Inc. is prohibited.

ASSA ABLOY
Opening Solutions

Experience a safer
and more open world

H300S-OH Series

For Sliding Panels up to 300 lbs.
Manufactured by P.C. Henderson



Configurations:

- Single
- Bi-parting

Installations:

- Overhead Mount

Features:

- Overhead mount system
- Nylon wheels for smooth operation
- 300 lb. panel capacity
- Galvanized steel track 290
- 2 year warranty

H300S-OH Kits Include:

- 1 ea **290** Galvanized Steel Track
- **3A/290** Aluminum Alloy Overhead Mount Track Brackets (One at each end and no more than 3 feet in between)
- 2 ea **1A/290/EC** Aluminum Alloy End Caps
- 2 ea **57K/N** White Nylon Body and Wheels, Zinc Coated Steel Pendant Bolt Hangers
- 2 ea **HH3/290** Galvanized Steel In-Track Stop
- 1 ea **89/2N** Gray Nylon Mortise Guide

Standard Kit Sizes

Part Number	Material	Track Length	Door Width
H300S-OH/6	Steel	72"	36"
H300S-OH/8	Steel	96"	48"
H300S-OH/10	Steel	120"	60"
H300S-OH/12	Steel	144"	72"

Options:

Bottom Channel	94A
Roller Guide	106R/94
Threshold	971A
Joining Bracket	3AX/290
Mortise Guides	102N
Stainless Steel Flush Bolt	FB150SS
Stainless Steel Flush Pull	503SF

ASSA ABLOY
Opening Solutions

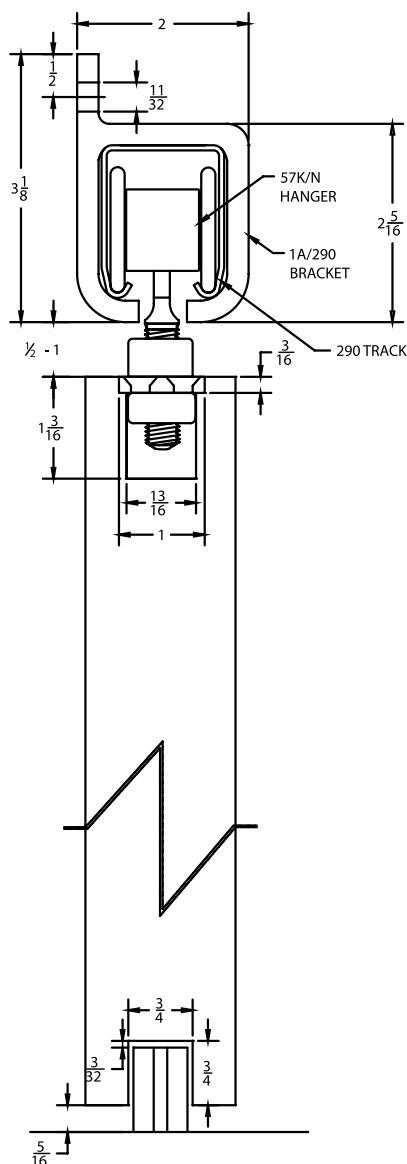
Experience a safer
and more open world

800-824-3018 | www.assaabloydooraccessories.us
Check the web site for the up-to-date catalog

Copyright © 2015-2021, ASSA ABLOY Accessories and Door Controls Group, Inc., an ASSA ABLOY Group company. All rights reserved. Reproduction in whole or in part without the express written permission of ASSA ABLOY Accessories and Door Controls Group, Inc. is prohibited.

H300S-SW Series

For Sliding Panels up to 300 lbs.
Manufactured by P.C. Henderson



Configurations:

- Single
- Bi-parting

Installations:

- Side Wall Mount

Features:

- Side wall mount system
- Nylon wheels for smooth operation
- 300 lb. panel capacity
- Galvanized steel track 290
- 2 year warranty

H300S-SW Kits Include:

- 1 ea **290** Galvanized Steel Track
- **1A/290** Side Wall Mount Track Brackets
(One at each end and no more than three feet in between)
- 2 ea **1A/290/EC** Aluminum Alloy End Caps
- 2 ea **57K/N** White Nylon Body and Wheels, Zinc Coated Steel Pendant Bolt Hangers
- 2 ea **HH3/290** Galvanized Steel In-Track Stops
- 1 ea **89/2N** Gray Nylon Mortise Guide

Standard Kit Sizes

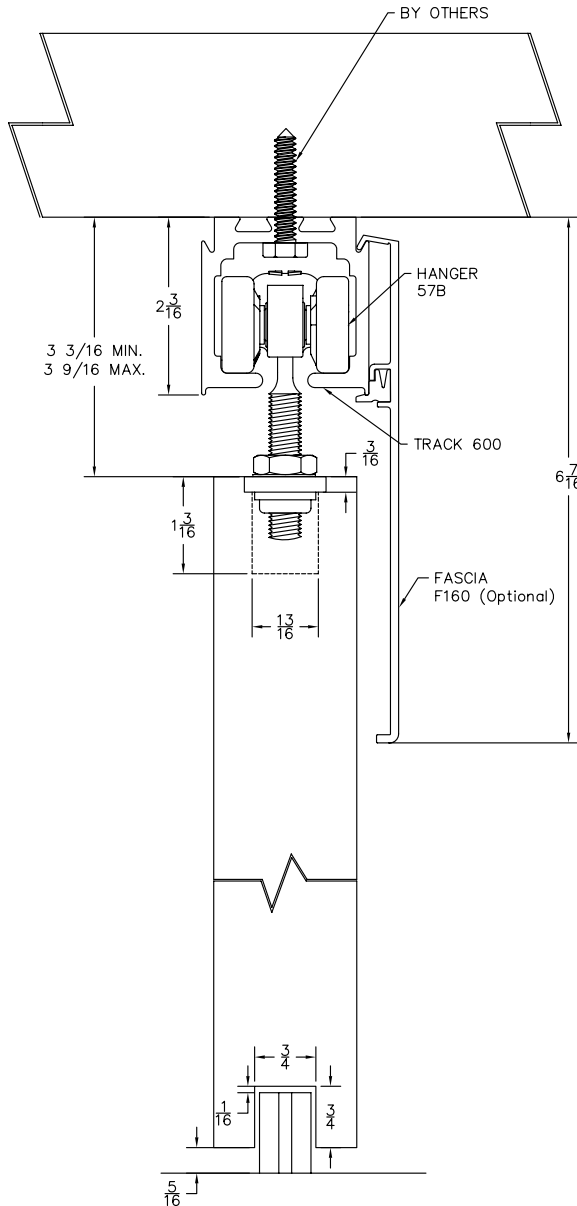
Part Number	Material	Track Length	Door Width
H300S-SW/6	Steel	72"	36"
H300S-SW/8	Steel	96"	48"
H300S-SW/10	Steel	120"	60"
H300S-SW/12	Steel	144"	72"

Options:

- Bottom Channel **94A**
- Roller Guide **106R/94**
- Mortise Guides **102N**
- Side Wall Mortise Guides **102WN** (nylon) and **102WA** (steel)
- Joining Bracket **1AX/290**
- Stainless Steel Flush Bolt **FB150SS**
- Stainless Steel Flush Pull **503SF**

H440A-OH Series

For Sliding Panels up to 440 lbs.
Manufactured by P.C. Henderson



Configurations:

- Single
- Bi-parting

Installations:

- Overhead Mount

Features:

- Overhead mount system
- Nylon body and steel ball bearing nylon wheels for smooth operation
- 440 lb. panel capacity
- Mill finished aluminum track 600A
- 2 year warranty
- Meets ADA push force requirements

H440A-OH Kits Include:

- 1 ea **600A** Mill Finished Aluminum Track
- 2 ea **57B** Hangers: Gray Nylon Body, Zinc Coated Steel Pendant Bolt, Steel Ball Bearing Nylon Wheels
- 2 ea **601P** Nylon In-Track Clip Stop
- 1 ea **89/2N** Gray Nylon Mortise Guide

Standard Kit Sizes

Part Number	Material	Track Length	Door Width
H440A-OH/6	Aluminum	72"	36"
H440A-OH/8	Aluminum	96"	48"
H440A-OH/10	Aluminum	120"	60"
H440A-OH/12	Aluminum	144"	72"
H440A-OH/16	Aluminum	192"	96"

Options:

- Fascia **F160C**
- Bottom Channel **94A**
- Roller Guide **106R/94**
- Threshold **971A**
- Mortise Guides **102N**
- End Plate Kit **F160ECP** (used with **F160C** fascia and **600A** track only)
- Stainless Steel Flush Bolt **FB150SS**
- Stainless Steel Flush Pull **503SF**

ASSA ABLOY
Opening Solutions

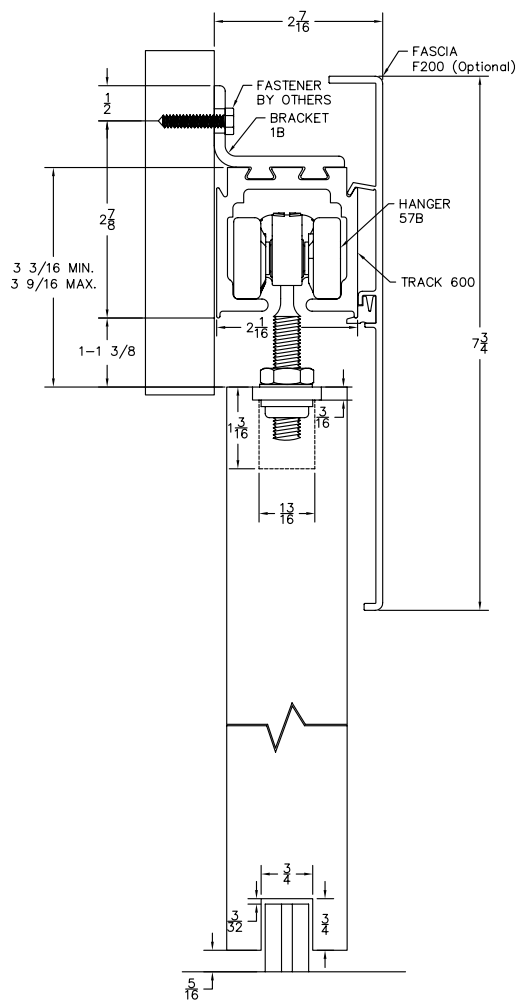
Experience a safer
and more open world

800-824-3018 | www.assaabloydooraccessories.us
Check the web site for the up-to-date catalog

Copyright © 2015-2021, ASSA ABLOY Accessories and Door Controls Group, Inc., an ASSA ABLOY Group company. All rights reserved. Reproduction in whole or in part without the express written permission of ASSA ABLOY Accessories and Door Controls Group, Inc. is prohibited.

H440A-SW Series

For Sliding Panels up to 440 lbs.
Manufactured by P.C. Henderson



Configurations:

- Single
- Bi-parting

Installations:

- Side Wall Mount

Features:

- Side wall mount system
- Nylon body and steel ball bearing nylon wheels for smooth operation
- 440 lb. panel capacity
- Mill finished aluminum track 600A
- 2 year warranty
- Meets ADA push force requirements

H440A-SW Kits Include:

- 1 ea **600A** Mill Finished Aluminum Track
- **1B** Side Wall Mount Track Brackets (One at each end and no more than 3 feet in between)
- 2 ea **57B** Hangers: Gray Nylon Body, Zinc Coated Steel Pendant Bolt, Steel Ball Bearing Nylon Wheels
- 2 ea **601P** Nylon In-Track Clip Stop
- 1 ea **89/2N** Gray Nylon Mortise Guide

Standard Kit Sizes

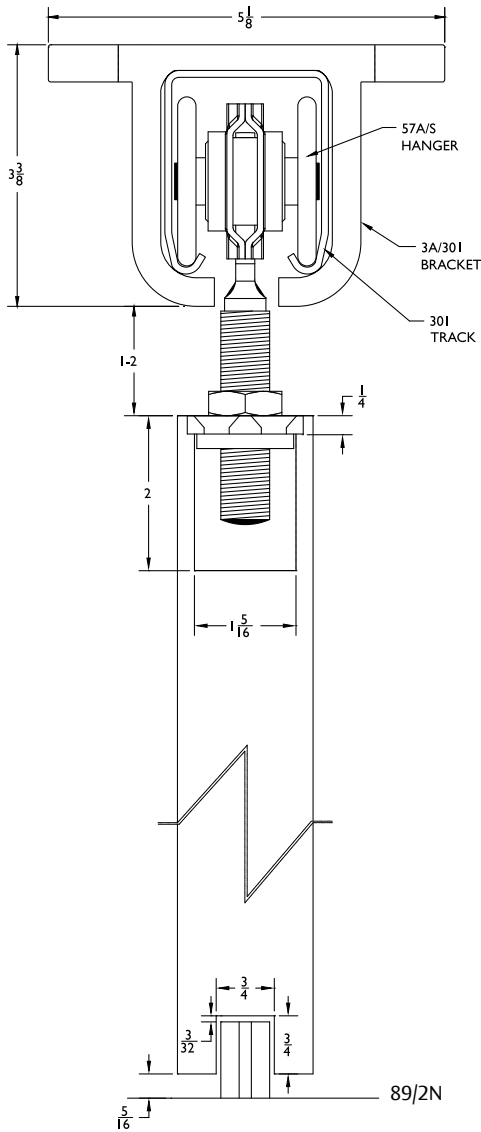
Part Number	Material	Track Length	Door Width
H440A-SW/6	Aluminum	72"	36"
H440A-SW/8	Aluminum	96"	48"
H440A-SW/10	Aluminum	120"	60"
H440A-SW/12	Aluminum	144"	72"
H440A-SW/16	Aluminum	192"	96"

Options:

Fascia	F200C
Bottom Channel	94A
Roller Guide	106R/94
Mortise Guides	102N
Side Wall Mortise Guides	102WN (nylon) and 102WA (steel)
End Plate Kit	F200ECP (used with F200C fascia and 600A track only)
Joining Bracket	1BX
Stainless Steel Flush Bolt	FB150SS
Stainless Steel Flush Pull	503SF

H600S-OH Series

For Sliding Panels up to 600 lbs.
Manufactured by P.C. Henderson



Configurations:

- Single
- Bi-parting

Installations:

- Overhead Mount

Features:

- Overhead mount system
- Heavy duty zinc coated steel
- Ball bearing wheels
- 600 lb. panel capacity
- Galvanized steel track 301
- 2 year warranty

H600S-OH Kits Include:

- 1 ea **301** Galvanized Steel Track
- **3A/301** Aluminum Alloy Overhead Mount Track Brackets
(One at each end and no more than three feet in between)
- 2 ea **1A/301/EC** Aluminum Alloy End Caps
- 2 ea **57A/S** Zinc Coated Steel Body, Wheels, and Pendant Bolt Hangers
- 2 ea **HH3/301** Galvanized Steel In-Track Stops
- 1 ea **89/2N** Gray Nylon Mortise Guide

Standard Kit Sizes

Part Number	Material	Track Length	Door Width
H600S-OH/8	Steel	96"	48"
H600S-OH/10	Steel	120"	60"
H600S-OH/12	Steel	144"	72"

Options:

- Bottom Channel **94A**
- Roller Guide **106R/94**
- Mortise Guides **102N**
- Threshold **971A**
- Joining Bracket **3AX/301**
- Stainless Steel Flush Bolt **FB150SS**
- Stainless Steel Flush Pull **503SF**

ASSA ABLOY
Opening Solutions

Experience a safer
and more open world

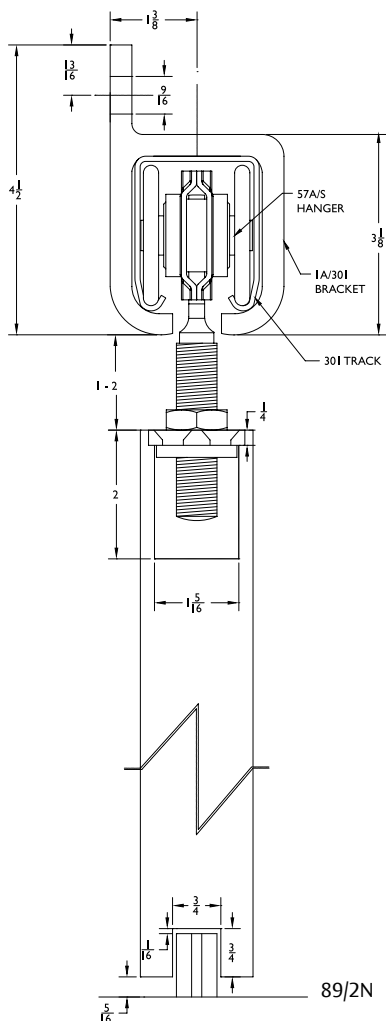
800-824-3018 | www.assaabloydooraccessories.us

Check the web site for the up-to-date catalog

Copyright © 2015-2021, ASSA ABLOY Accessories and Door Controls Group, Inc., an ASSA ABLOY Group company. All rights reserved. Reproduction in whole or in part without the express written permission of ASSA ABLOY Accessories and Door Controls Group, Inc. is prohibited.

H600S-SW Series

For Sliding Panels up to 600 lbs.
Manufactured by P.C. Henderson



Configurations:

- Single
- Bi-parting

Installations:

- Side Wall Mount

Features:

- Side wall mount system
- Heavy duty zinc coated steel
- Ball bearing wheels
- 600 lb. panel capacity
- Galvanized steel track 301
- 2 year warranty

H600S-SW Kits Include:

- 1 ea **301** Galvanized Steel Track
- **1A/301** Side Wall Mount Track Brackets
(One at each end and no more than three feet in between)
- 2 ea **1A/301/EC** Aluminum Alloy End Caps
- 2 ea **57A/S** Zinc Coated Steel Body, Wheels, and Pendant Bolt Hangers
- 2 ea **HH3/301** Galvanized Steel In-Track Stops
- 1 ea **89/2N** Gray Nylon Mortise Guide

Standard Kit Sizes

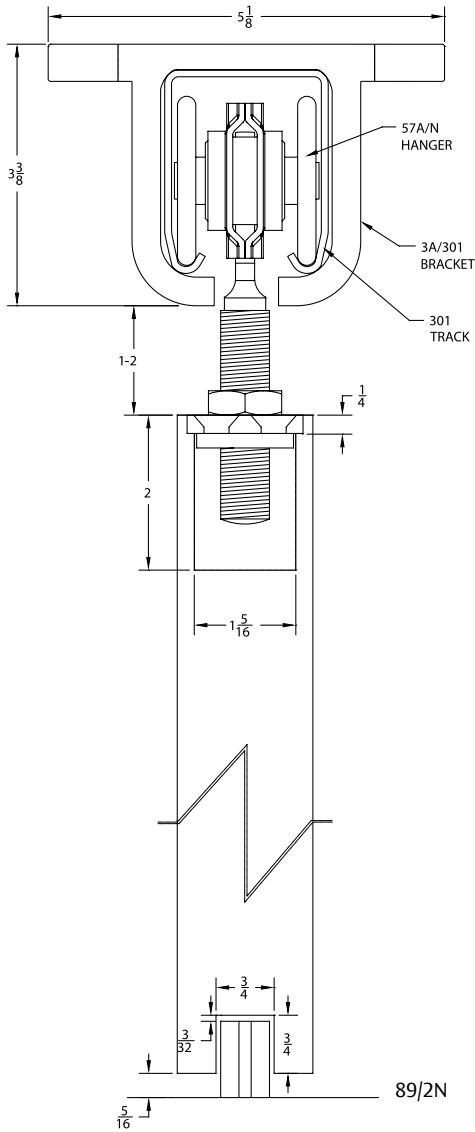
Part Number	Material	Track Length	Door Width
H600S-SW/8	Steel	96"	48"
H600S-SW/12	Steel	144"	72"

Options:

Bottom Channel	94A
Roller Guide	106R/94
Mortise Guides	102N
Side Wall Mortise Guides	102WN
Joining Bracket	1AX/301
Stainless Steel Flush Bolt	FB150SS
Stainless Steel Flush Pull	503SF

H800S-OH Series

For Sliding Panels up to 800 lbs.
Manufactured by P.C. Henderson



Configurations:

- Single
- Bi-parting

Installations:

- Overhead Mount

Features:

- Overhead mount system
- Heavy duty zinc coated steel body
- Ball bearing nylon wheels for smooth operation
- 800 lb. panel capacity
- Galvanized steel track 301
- 2 year warranty

H800S-OH Kits Include:

- 1 ea **301** Galvanized Steel Track
- **3A/301** Overhead Mount Track Brackets (One at each end and no more than three feet in between)
- 2 ea **1A/301/EC** Aluminum Alloy End Caps
- 2 ea **57A/N** Zinc Coated Steel Body, Nylon Wheels, and Pendant Bolt Hangers
- 2 ea **HH3/301** Galvanized Steel In-Track Stop
- 1 ea **89/2N** Gray Nylon Mortise Guide

Standard Kit Sizes

Part Number	Material	Track Length	Door Width
H800S-OH/8	Steel	96"	48"
H800S-OH/10	Steel	120"	60"

Options:

- Bottom Channel **94A**
- Roller Guide **106R/94**
- Mortise Guides **102N**
- Threshold **971A**
- Joining Bracket **3AX/301**
- Stainless Steel Flush Bolt **FB150SS**
- Stainless Steel Flush Pull **503SF**

ASSA ABLOY
Opening Solutions

Experience a safer
and more open world

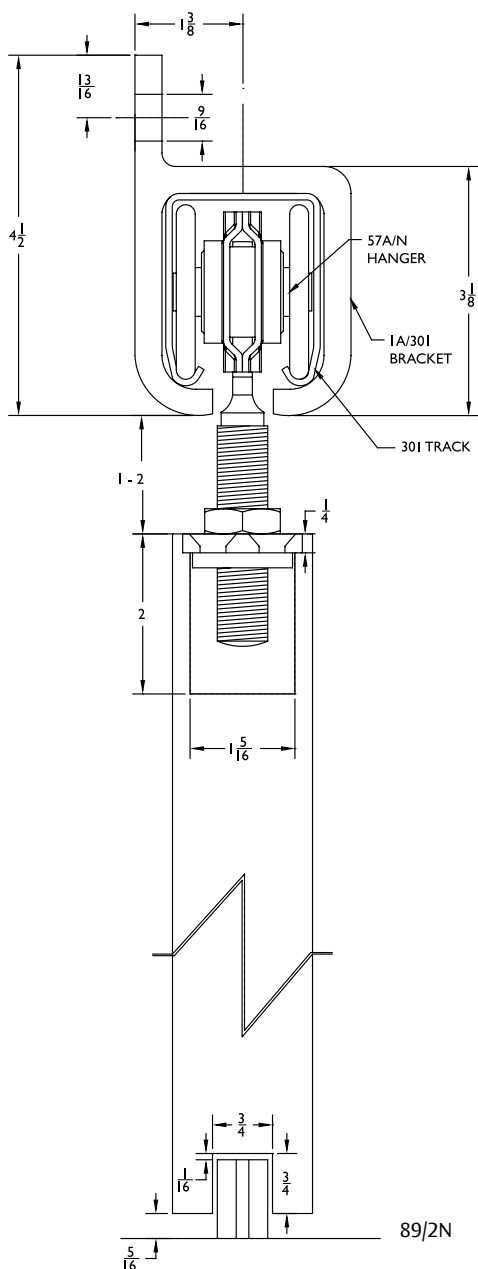
800-824-3018 | www.assaabloydooraccessories.us

Check the web site for the up-to-date catalog

Copyright © 2015-2021, ASSA ABLOY Accessories and Door Controls Group, Inc., an ASSA ABLOY Group company. All rights reserved. Reproduction in whole or in part without the express written permission of ASSA ABLOY Accessories and Door Controls Group, Inc. is prohibited.

H800S-SW Series

For Sliding Panels up to 800 lbs.
Manufactured by P.C. Henderson



Configurations:

- Single
- Bi-parting

Installations:

- Side Wall Mount

Features:

- Side wall mount system
- Heavy duty zinc coated steel body
- Heavy ball bearing nylon wheels for smooth operation
- 800 lb. panel capacity
- Galvanized steel track 301
- 2 year warranty

H800S-SW Kits Include:

- 1 ea **301** Galvanized Steel Track
- **1A/301** Aluminum Alloy Side Wall Mount Track Brackets (One at each end and no more than three feet in between)
- 2 ea **1A/301/EC** Aluminum Alloy End Caps
- 2 ea **57A/N** Zinc Coated Steel Body, Nylon Wheels, and Pendant Bolt Hangers
- 2 ea **HH3/301** Galvanized Steel In-Track Stops
- 1 ea **89/2N** Gray Nylon Mortise Guide

Standard Kit Sizes

Part Number	Material	Track Length	Door Width
H800S-SW/6	Steel	72"	36"
H800S-SW/10	Steel	120"	60"
H800S-SW/12	Steel	144"	72"

Options:

Bottom Channel	94A
Roller Guide	106R/94
Mortise Guides	102N
Side Wall Mortise Guides	102WN (nylon) and 102WA (steel)
Joining Bracket	1AX/301
Stainless Steel Flush Bolt	FB150SS
Stainless Steel Flush Pull	503SF

800-824-3018 | www.assaabloydooraccessories.us
Check the web site for the up-to-date catalog

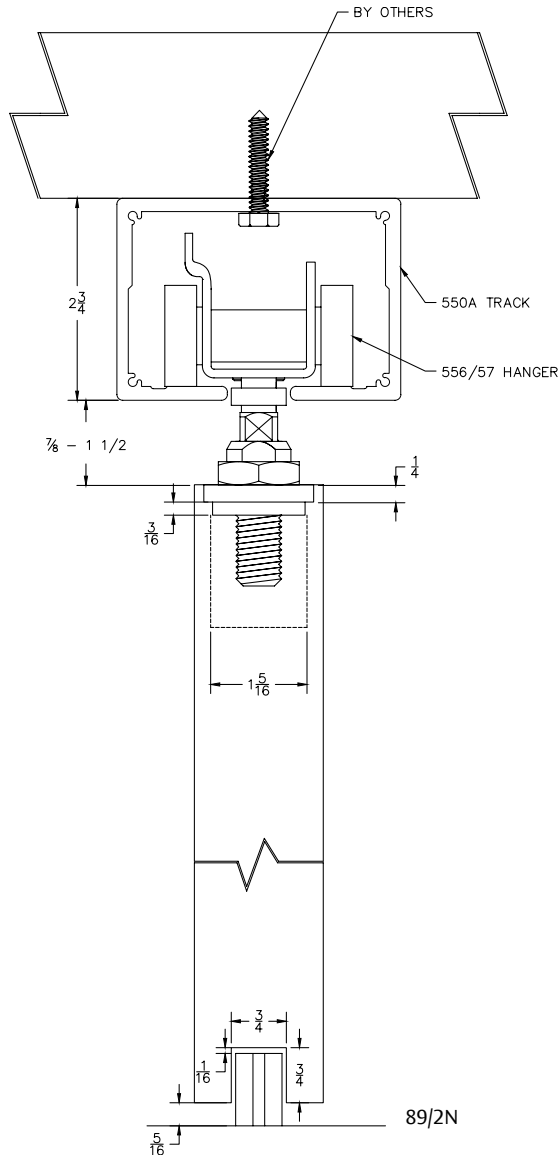
Copyright © 2015-2021, ASSA ABLOY Accessories and Door Controls Group, Inc., an ASSA ABLOY Group company. All rights reserved.
Reproduction in whole or in part without the express written permission of ASSA ABLOY Accessories and Door Controls Group, Inc. is prohibited.

ASSA ABLOY
Opening Solutions

Experience a safer
and more open world

H1100A-OH Series

For Sliding Panels up to 1100 lbs.
Manufactured by P.C. Henderson



Ideally suited for large doors that require high performance and an attractive finish.

Typical applications are hotels, conference centers, shop-fronts and showrooms.

Configurations:

- Single
- Bi-parting

Installations:

- Overhead Mount

Features:

- For top hung wood and metal doors
- Heavy duty black painted steel body
- Ball bearing steel wheels
- 1100 lb. panel capacity
- Mill finished aluminum track 550A
- 2 year warranty

H1100A-OH Kits Include:

- 1 ea **550A** Mill Finished Aluminum Track
- 2 ea **556/57** Painted Black Steel Body - Zinc Coated Steel Wheels and Pendant Bolt Hangers
- 2 ea **HH3/301** Galvanized Steel In-Track Stops
- 1 ea **89/2N** Gray Nylon Mortise Guide

Standard Kit Sizes			
Part Number	Material	Track Length	Door Width
H1100A-OH/6	Aluminum	72"	36"
H1100A-OH/8	Aluminum	96"	48"
H1100A-OH/10	Aluminum	120"	60"
H1100A-OH/12	Aluminum	144"	72"
H1100A-OH/16	Aluminum	197"	98"

Options:

- Bottom Channel **94A**
- Roller Guide **106R/94**
- Threshold **971A**
- Stainless Steel Flush Bolt **FB150SS**
- Stainless Steel Flush Pull **503SF**

ASSA ABLOY
Opening Solutions

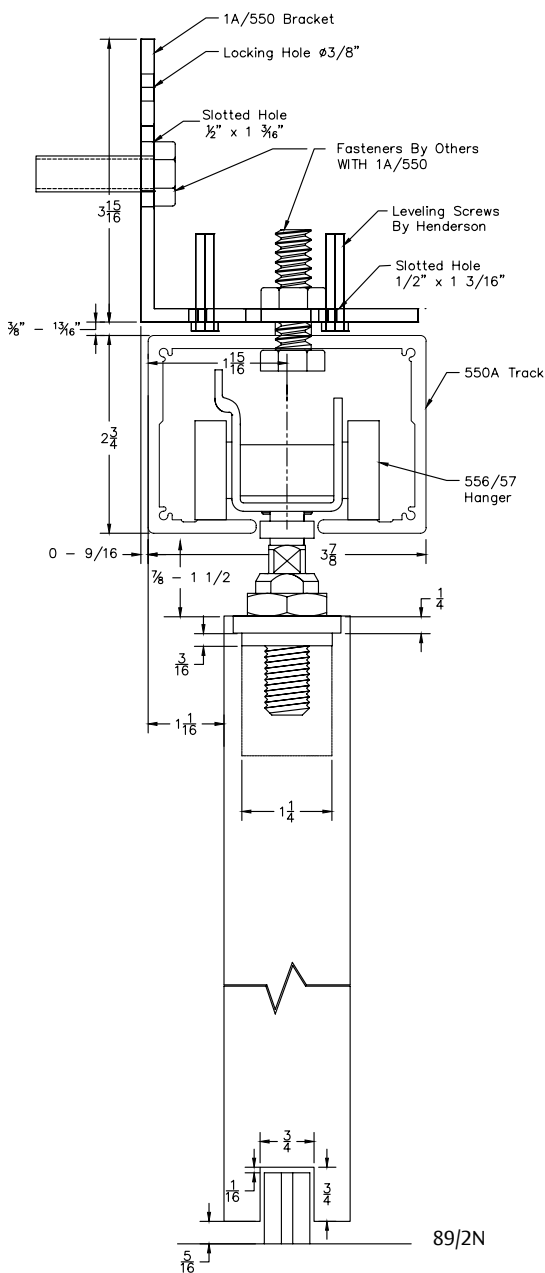
Experience a safer
and more open world

800-824-3018 | www.assaabloydooraccessories.us
Check the web site for the up-to-date catalog

Copyright © 2015-2021, ASSA ABLOY Accessories and Door Controls Group, Inc., an ASSA ABLOY Group company. All rights reserved. Reproduction in whole or in part without the express written permission of ASSA ABLOY Accessories and Door Controls Group, Inc. is prohibited.

H1100A-SW Series

For Sliding Panels up to 1100 lbs.
Manufactured by P.C. Henderson



Ideally suited for large doors that require high performance and an attractive finish.

Typical applications are hotels, conference centers, shop-fronts and showrooms.

Configurations:

- Single
- Bi-parting

Installations:

- Side Wall Mount

Features:

- Heavy duty black painted steel body ball bearing wheels
- 1100 lb. panel capacity
- Mill finished aluminum track 550A
- 2 year warranty

H1100A-SW Kits Include:

- 1 ea **550A** Mill Finished Aluminum Track
- **1A/550** Aluminum Alloy Side Wall Track Bracket
Fasteners not included with 1A/550. (One at each end and no more than three feet in between)
- 2 ea **556/57** Painted Black Steel Body - Zinc Coated Steel Wheels and Pendant Bolt Hangers
- 2 ea **HH3/301** Galvanized Steel In-Track Stops
- 1 ea **89/2N** Gray Nylon Mortise Guide

Standard Kit Sizes

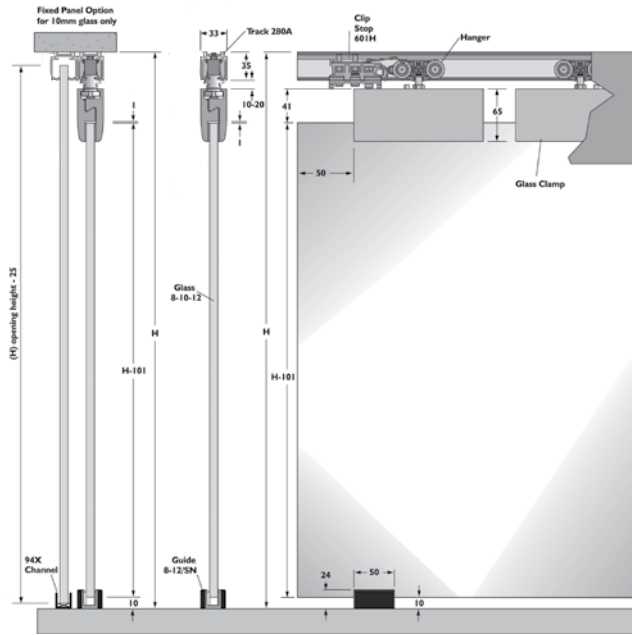
Part Number	Material	Track Length	Door Width
H1100A-SW/6	Aluminum	72"	36"
H1100A-SW/8	Aluminum	96"	48"
H1100A-SW/10	Aluminum	120"	60"
H1100A-SW/12	Aluminum	144"	72"
H1100A-SW/16	Aluminum	197"	98"

Options:

- Bottom Channel **94A**
- Roller Guide **106R/94**
- Stainless Steel Flush Bolt **FB150SS**
- Stainless Steel Flush Pull **503SF**

Husky Sliding Glass Series

For Sliding Panels up to 165 lbs.
 Manufactured by P.C. Henderson



For lightweight glass applications such as office doors and small glass partitions.

- 2 year warranty

Capacity:

Max. door weight 165 lbs. (75kg)
 Max. door height 7' 10" (2400mm)
 Max. door width 4' 1" (1250mm)
 Glass thickness 5/16" (8mm) & 3/8" (10mm)

Door Types:

Glass panels of 5/16" (8mm) or 3/8" (10mm) thickness in tempered or laminated glass.

Meets ADA push force requirements

8/HY/75 and 10/HY/75 HUSKY Glass Clamp Kit:

8/HY/75 is for 8mm or 5/16" thick glass

10/HY/75 kit is for 10mm or 3/8" thick glass

- 2 ea **284D** Hangers
- 2 ea GLASS Clamps
- 2 ea **601H** End stops
- 1 ea **8-12/SN** adjustable guide for 5/16" or 3/8" glass guide

Standard Track Sizes		
Part Number	Material	Standard Track Sizes (Track Ordered Separately)
280C72	Aluminum	72"
280C96	Aluminum	96"

Options:

- Face mount bracket: **PC2815** available as 5 pack only, **PC2815** pack of 5 281 zinc plated side wall bracket. NOTE: Need one at each end and no more than 2 feet in-between. Fasteners included.
- Guides: **8-12/SN** adjustable guide for 5/16" or 3/8" glass guide
- Accessories: **601H** retaining stop mounted within the track

ASSA ABLOY
 Opening Solutions

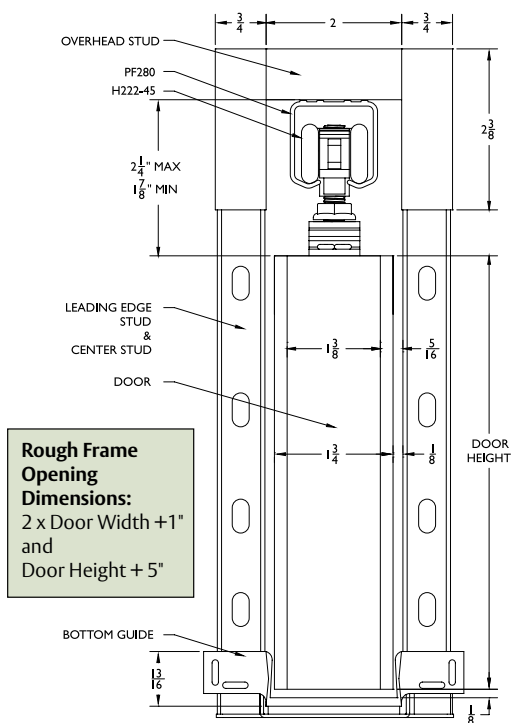
Experience a safer
 and more open world

800-824-3018 | www.assaabloydooraccessories.us
 Check the web site for the up-to-date catalog

Copyright © 2015-2021, ASSA ABLOY Accessories and Door Controls Group, Inc., an ASSA ABLOY Group company. All rights reserved. Reproduction in whole or in part without the express written permission of ASSA ABLOY Accessories and Door Controls Group, Inc. is prohibited.

Pocket Frame Kit

For Sliding Panels up to 200 lbs.



Rough Frame Opening Dimensions:
 2 x Door Width + 1"
 and
 Door Height + 5"

NOTE: 3/4" plywood can be installed to the studs in the pocket to add strength and rigidity to pocket door walls.

Features:

- Heavy duty hardware supports doors up to 200 lbs. each
- Standard kit is for 1 3/8" door. For 1 3/4" door, MUST use PF134KIT (see Options below)
- Chrome plated steel hangers are corrosion resistant and no maintenance is required
- 5 year warranty
- Meets ADA push force requirements

Pocket Frame Kit Includes:

- 1 ea Header Track Assembly
 - 4 ea PFAS_ Aluminum Cased Wood Studs
 - 2 ea PFHB-1 and PFHB-2 Pre-Mounted Header Brackets
 - 2 ea H222R1 Hangers
 - 2 ea PFFC-8 Floor Cleats
 - 1 ea PFBS Pocket Frame Bumper Stop
 - 1 ea PFBG-8 Pocket Frame Bottom Guide for 1 3/8" Thick Doors
- Mounting Hardware

Standard Kit Sizes			
2x4 Wood or Metal Stud Constructed Walls	2x6 Wood Stud Constructed Walls	2x6 Metal Stud Constructed Walls	Net Door Size (The Kits can be trimmed in field)
PF28200A6080	PF28200A6080-2x6	PF28200A6080-SP6	2'6" x 6'8"
PF28200A7280	PF28200A7280-2x6	PF28200A7280-SP6	3'0" x 6'8"
PF28200A9680	PF28200A9680-2x6	PF28200A9680-SP6	4'0" x 6'8"
PF28200A6084	PF28200A6084-2x6	PF28200A6084-SP6	2'6" x 7'0"
PF28200A7284	PF28200A7284-2x6	PF28200A7284-SP6	3'0" x 7'0"
PF28200A9684	PF28200A9684-2x6	PF28200A9684-SP6	4'0" x 7'0"
PF28200A6096	PF28200A6096-2x6	PF28200A6096-SP6	2'6" x 8'0"
PF28200A7296	PF28200A7296-2x6	PF28200A7296-SP6	3'0" x 8'0"
PF28200A9696	PF28200A9696-2x6	PF28200A9696-SP6	4'0" x 8'0"

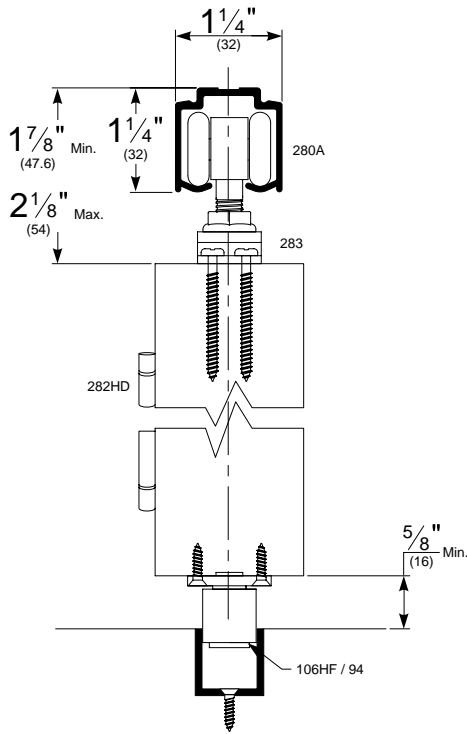
Options:

- PF134 KIT** - Recommended for use with 1 3/4" thick doors in 2x4 constructed wall kits (3 1/2" stud)
 Soft Close available. See pages 275-277 for more information.
- PFAS84** - For doors over 3' wide an extra pair of 84" center studs with floor cleat for 80" tall doors recommended
- PFAS88** - For doors over 3' wide an extra pair of 88" center studs with floor cleat for 84" tall doors recommended
- PFAS100** - For doors over 3' wide an extra pair of 100" center studs with floor cleat for 96" tall doors recommended
- PFCDKIT** - Conversion Kit to achieve a bipart double door frame
- PFKIT-4** - Replacement Hardware Kit for Pemko Pocket Frame Kit for 1 3/4" thick doors (Each contains 2-H222-45 Hangers, 1-PFBS Bumper Stop, 1- PFBG-4 Guide, 2 PFHS Header Shims, 2-PFFC-4 Floor Cleats)
- PFKIT-8** - Replacement Hardware Kit for Pemko Pocket Frame Kit for 1 3/8" thick doors (Each contains 2-H222-45 Hangers, 1-PFBS Bumper Stop, 1- PFBG-8 Guide, 2-PFFC-8 Floor Cleats)
 Soft Close available. See pages 275-277 for more information.

Folding 100 Series

For Folding Doors up to 100 lbs.
 For Doors up to 24" Wide x 96" Tall
 Manufactured by P.C. Henderson

280C Overhead Mounted



Features:

- For medium weight folding doors
- Two and four leaf kits are available
- 2 year warranty

Two Panel:

HF2/100A Kits Include:

- 1 ea 280C Clear Anodized Track
- 1 ea 283 Hanger
- 1 ea 289T Top Pivot
- 1 ea 289B Bottom Pivot
- 3 ea 282HD26 Hinges
- 1 ea 106HF/94 Roller Guide
- 1 ea 94A Aluminum Guide Channel
- 1 ea Adjusting Wrench and Mounting Hardware

Four Panel:

HF4/100A Kits Include:

- 1 ea 280C Clear Anodized Track
- 2 ea 283 Hangers
- 2 ea 289T Top Pivots
- 2 ea 289B Bottom Pivots
- 6 ea 282HD26 Hinges
- 2 ea 106HF/94 Roller Guide
- 1 ea 94A Aluminum Guide Channel
- 1 ea Adjusting Wrench and Mounting Hardware

Standard Kit Sizes

Part Number	Material	# of Panels	Track Length
HF2/100A/2	Aluminum	2	24"
HF2/100A/2'6	Aluminum	2	30"
HF2/100A/3	Aluminum	2	36"
HF2/100A/4	Aluminum	2	48"
HF4/100A/4	Aluminum	4	48"
HF4/100A/5	Aluminum	4	60"
HF4/100A/6	Aluminum	4	72"
HF4/100A/8	Aluminum	4	96"

Options:

- Mounting Bracket **PC2815** available as 5 pack only, **PC2815** pack of 5 281 zinc plated side wall bracket. NOTE: Need one at each end and no more than 2 feet in-between. Fasteners included.
- Threshold **971A**
- Track **280D** dark bronze anodized aluminum

NOTE: Allow 1/4" clearance at pivot jambs and 1/8" in between hinged doors if hinges are mortised. Allow 3/16" between hinged doors if hinges are surface mounted. Allow 1/8" between doors meeting in the center of the opening on HF4 kits and allow 1/8" between wall and end panel on HF2 kits.

ASSA ABLOY
 Opening Solutions

Experience a safer
 and more open world

800-824-3018 | www.assaabloydooraccessories.us
 Check the web site for the up-to-date catalog

Copyright © 2015-2021, ASSA ABLOY Accessories and Door Controls Group, Inc., an ASSA ABLOY Group company. All rights reserved. Reproduction in whole or in part without the express written permission of ASSA ABLOY Accessories and Door Controls Group, Inc. is prohibited.

Pacer Interior End Fold Series

For Folding Doors and Room Dividers up to 165 lbs.

For Doors up to 36" Wide x 106" Tall

Manufactured by P.C. Henderson



Features:

- For top-hung, medium weight, interior, partition doors
- Ideal in both residential and commercial applications requiring end folding doors
- 2 year warranty

Two Panel: plan 1

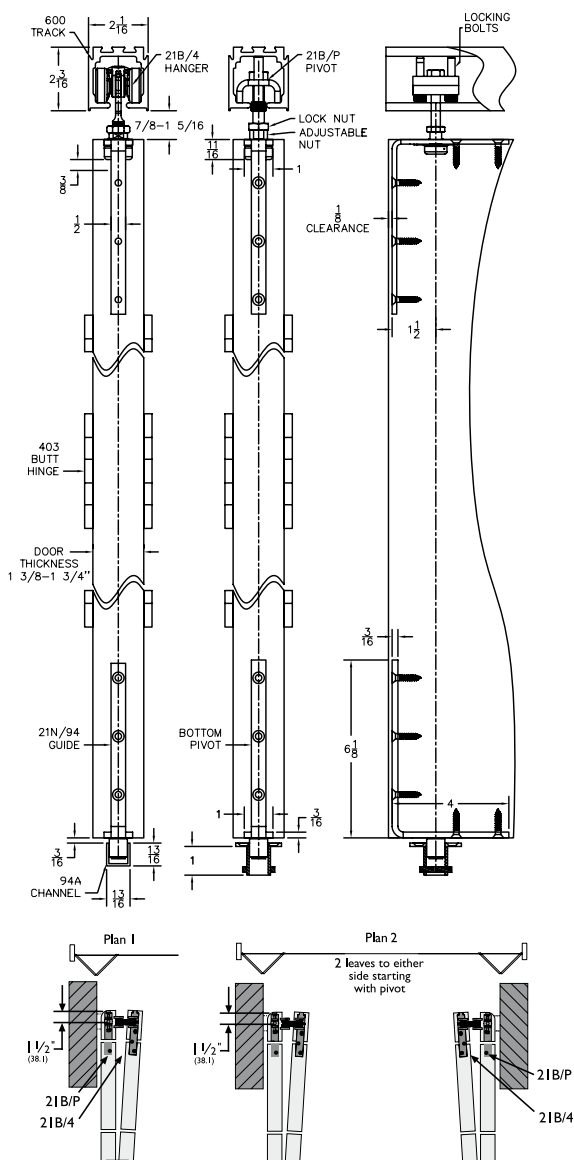
PIF2/165A Kits Include:

- 1 ea **600A** Mill Finished Aluminum Track
- 1 ea **21B/P** Top and Bottom Pivot Assembly
- 1 ea **21B/4** Nylon Body and Wheels, Zinc Coated Steel Pendant Bolt and Door Bracket Hanger
- 1 ea **21N/94** Nylon Roller Guide on Zinc Coated Steel Door Bracket Bottom Guide
- 4 ea **403/2** Aluminum Alloy Butt Hinges
- 1 ea **94A** Aluminum Guide Channel

Four Panel: plan 2

PIF4/165A Kits Include:

- 1 ea **600A** Mill Finished Aluminum Track
- 2 ea **21B/P** Top and Bottom Pivot Assembly
- 2 ea **21B/4** Nylon Body and Wheels, Zinc coated steel Pendant Bolt and Door Bracket Hanger
- 2 ea **21N/94** Nylon Roller Guide on Zinc Coated Steel Door Bracket Bottom Guide
- 8 ea **403/2** Aluminum Alloy Butt Hinges
- 1 ea **94A** Aluminum Guide Channel



Standard Kit Sizes

Part Number	Material	# of Panels	Track Length
PIF2/165A/6	Aluminum	2	72"
PIF4/165A/6	Aluminum	4	72"
PIF4/165A/8	Aluminum	4	96"
PIF4/165A/12	Aluminum	4	2 @ 72"

Options:

- Threshold **971A**
- Stainless Steel Flush Bolt **FB150SS**
- Stainless Steel Flush Pull **503SF**

NOTE: Allow $\frac{3}{8}$ " clearance at pivot jambs and $\frac{1}{8}$ " in between hinged doors if hinges are mortised. Allow $\frac{7}{16}$ " between hinged doors if hinges are surface mounted. Allow $\frac{1}{8}$ " between doors meeting in the center of the opening on PIF4 kits and allow $\frac{1}{8}$ " between wall and end panel on PIF2 kits.

800-824-3018 | www.assaabloydooraccessories.us

Check the web site for the up-to-date catalog

Copyright © 2015-2021, ASSA ABLOY Accessories and Door Controls Group, Inc., an ASSA ABLOY Group company. All rights reserved. Reproduction in whole or in part without the express written permission of ASSA ABLOY Accessories and Door Controls Group, Inc. is prohibited.

ASSA ABLOY
Opening Solutions

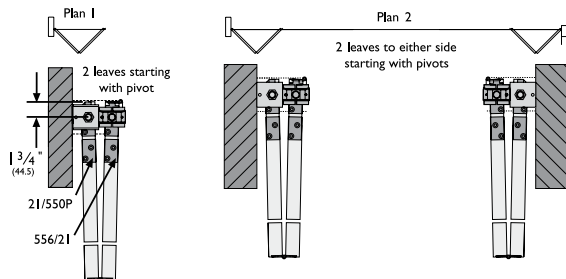
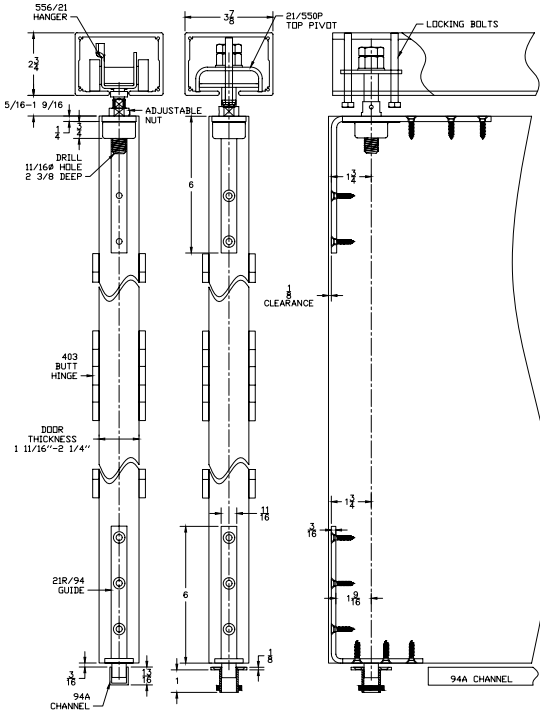
Experience a safer
and more open world

Flexirol Interior End Fold Series

For Folding Doors and Room Dividers up to 275 lbs.

For Doors up to 48" Wide x 177" Tall

Manufactured by P.C. Henderson



Features:

- For top-hung, heavy weight, interior, partition doors.
- Specifically designed for commercial applications requiring end folding doors
- 2 year warranty.

Two Panel: plan 1

FIF2/275A Kits Include:

- 1 ea 550A Mill Finished Aluminum Track
- 1 ea 21/550/P Top and Bottom Pivot Assembly
- 1 ea 556/21 Zinc Coated Steel Wheels, Pendant Bolt, Body, and Door Bracket
- 1 ea 21R/94 Bottom Guide
- 4 ea 403/2 Aluminum Alloy Butt Hinges
- 1 ea 94A Aluminum Guide Channel

Four Panel: plan 2

FIF4/275A Kits Include:

- 1 ea 550A Mill Finished Aluminum Track
- 2 ea 21/550/P Top and Bottom Pivot Assembly
- 2 ea 556/21 Zinc Coated Steel Wheels, Pendant Bolt, Body, and Door Bracket
- 2 ea 21R/94 Bottom Guide
- 8 ea 403/2 Aluminum Alloy Butt Hinges
- 1 ea 94A Aluminum Guide Channel

Standard Kit Sizes			
Part Number	Material	# of Panels	Track Length
FIF2/275A/8	Aluminum	2	96"
FIF4/275A/8	Aluminum	4	96"
FIF4/275A/12	Aluminum	4	2 @ 72"
FIF4/275A/16	Aluminum	4	2 @ 96"

Options:

- Threshold **971A**
- Stainless Steel Flush Bolt **FB150SS**
- Stainless Steel Flush Pull **503SF**

NOTE: Allow 3/8" clearance at pivot jambs and 1/8" in between hinged doors if hinges are mortised. Allow 7/16" between hinged doors if hinges are surface mounted. Allow 1/8" between doors meeting in the center of the opening on FIF4 kits and allow 1/8" between wall and end panel on FIF2 kits.

ASSA ABLOY
Opening Solutions

Experience a safer
and more open world

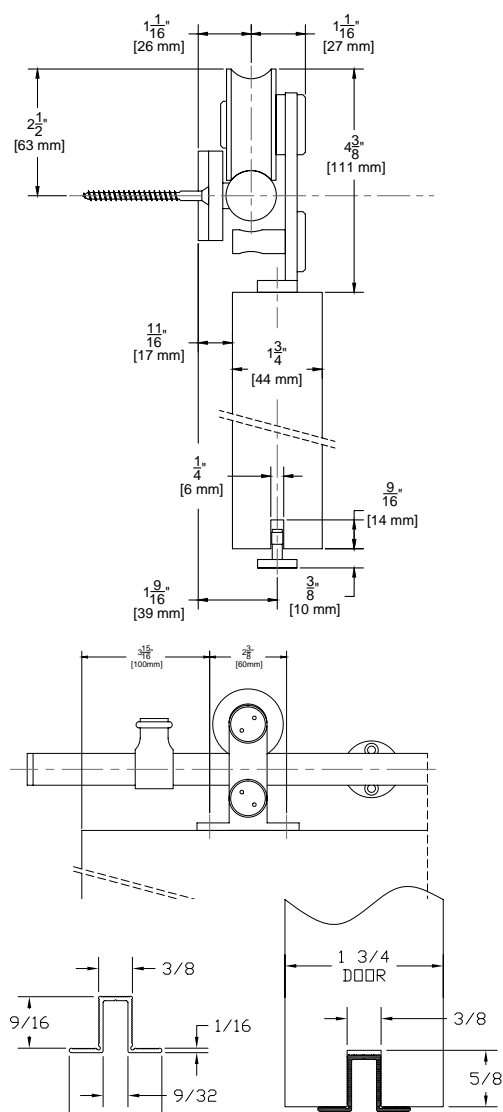
800-824-3018 | www.assaabloydooraccessories.us
Check the web site for the up-to-date catalog

Copyright © 2015-2021, ASSA ABLOY Accessories and Door Controls Group, Inc., an ASSA ABLOY Group company. All rights reserved. Reproduction in whole or in part without the express written permission of ASSA ABLOY Accessories and Door Controls Group, Inc. is prohibited.

Stainless Steel Sliding Track Hardware System

W60 Series for Wood Doors

For Sliding Panels up to 176 lbs.



NOTE: Alternate route dimension when using optional EPD3BL

800-824-3018 | www.assaabloydooraccessories.us

Check the web site for the up-to-date catalog

Copyright © 2015-2021, ASSA ABLOY Accessories and Door Controls Group, Inc., an ASSA ABLOY Group company. All rights reserved. Reproduction in whole or in part without the express written permission of ASSA ABLOY Accessories and Door Controls Group, Inc. is prohibited.

Configurations:

- Single
- Bi-parting

Features:

- Made of 304 stainless steel
- Nylon coated stainless steel wheel for smooth operation
- 176 lb. panel capacity
- 5 year warranty
- Meets ADA push force requirements

Finishes:

- Brushed Stainless Steel (W60)
- Black Powder Coated Stainless Steel (W60D)
- Polished Stainless Steel (W60P)

W60 Kits Include:

- 1 ea **BAR/** Stainless Steel Track
- **BRACKET2** Stainless Steel Wall Brackets
- 2 ea **62** Stainless Steel Hangers
- 1 ea **102SS-KIT** Stainless Steel Guide
- 2 ea **STOP2** Stainless Steel Stops Mounting Hardware

NOTE: If ordering individual parts in the optional Black Powder Coat, Polished finishes be sure to include a prefix "D" for Black Powder Coat, "P" for Polished Stainless

Standard Kit Sizes

Part Number	Material	Track Length	Door Width
W60/6	304 Stainless Steel	78 ³ / ₄ "	36"
W60/8	304 Stainless Steel	98 ⁷ / ₁₆ "	48"
W60D/6	Black Powder Coated Stainless Steel	78 ³ / ₄ "	36"
W60D/8	Black Powder Coated Stainless Steel	98 ⁷ / ₁₆ "	48"
W60P/6	304 Polished Stainless Steel	78 ³ / ₄ "	36"
W60P/8	304 Polished Stainless Steel	98 ⁷ / ₁₆ "	48"

Custom lengths are available. Please contact the factory to order.

Options:

Hardware Pack (One Door) **W60_H/PACK**

Mortise Guides **102N**

Polypropylene Guide Rail **EPD3BL** For Use With 102N

5/8" Spacer

1/2" Spacer

BLD-SPACER-58 Pack of 5 5/8" Spacer
Recommended for use with 5/8" Gypsum Board
When Mounting Track Directly to Gypsum Board

BLD-SPACER-12 Pack of 5 1/2" Spacer
Recommended for use with 1/2" Gypsum Board
When Mounting Track Directly to Gypsum Board

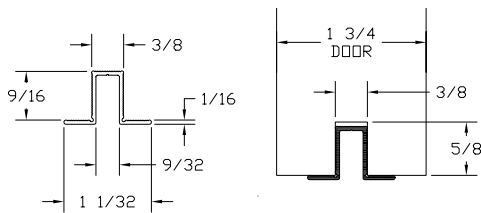
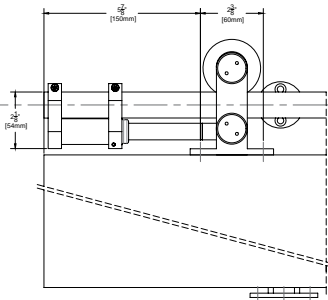
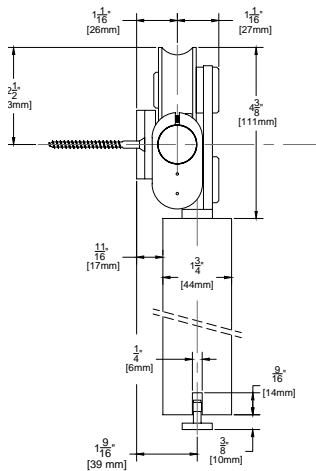
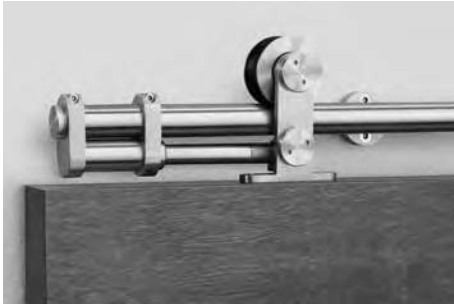
ASSA ABLOY
Opening Solutions

Experience a safer
and more open world

Stainless Steel Sliding Track Hardware System With Cushion Stop

CS-W60 Series for Wood Doors

For Sliding Panels up to 176 lbs.



NOTE: Alternate route dimension when using optional EPD3BL

Configurations:

- Single

Installations:

- Side Wall Mount (only)

Features:

- Made of 304 stainless steel
- Prevents door racking and bounce back
- Extends life of upper hardware
- Nylon coated stainless steel wheel for smooth operation
- 176 lb. panel capacity
- 5 year warranty
- Meets ADA push force requirements

Finishes:

- Brushed Stainless Steel
- Black Powder Coated Stainless Steel
- Polished Stainless Steel

CS-W60 Kits Include:

- 1 ea **BAR/_** Stainless Steel Track
- **BRACKET2** Stainless Steel Wall Brackets
- 2 ea **62** Stainless Steel Hangers
- 1 ea **102SS-KIT** Stainless Steel Guide
- 1 pr **CS-001SS** Stainless Steel Cushion Stops

NOTE: If ordering individual parts in the optional Black Powder Coated Stainless Steel or Polished finishes, be sure to include a suffix "D" for Black Powder Coated Stainless Steel or "P" for Polished Stainless

Standard Kit Sizes			
Part Number	Material	Track Length	Door Width
CS-W60/6	304 Stainless Steel	78 ³ / ₄ "	36"
CS-W60/8	304 Stainless Steel	98 ⁷ / ₁₆ "	48"
CS-W60D/6	304 Black Powder Coated Stainless Steel	78 ³ / ₄ "	36"
CS-W60D/8	304 Black Powder Coated Stainless Steel	98 ⁷ / ₁₆ "	48"
CS-W60P/6	304 Polished Stainless Steel	78 ³ / ₄ "	36"
CS-W60P/8	304 Polished Stainless Steel	98 ⁷ / ₁₆ "	48"

Custom lengths are available. Please contact the factory to order.

Options: See page 278

Mortise Guides

102N

Polypropylene Guide Rail

EPD3BL For Use With 102SS-KIT

Cushion Stops

CS-001SS (sold as pair) For use with existing openings that have W60 hardware installed

5/8" Spacer

BLD-SPACER-58 Pack of 5 5/8" Spacer Recommended for use with 5/8" Gypsum Board When Mounting Track Directly to Gypsum Board

1/2" Spacer

BLD-SPACER-12 Pack of 5 1/2" Spacer Recommended for use with 1/2" Gypsum Board When Mounting Track Directly to Gypsum Board

ASSA ABLOY
Opening Solutions

Experience a safer
and more open world

800-824-3018 | www.assaabloydooraccessories.us

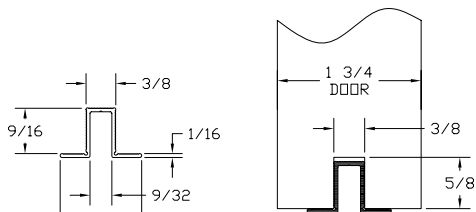
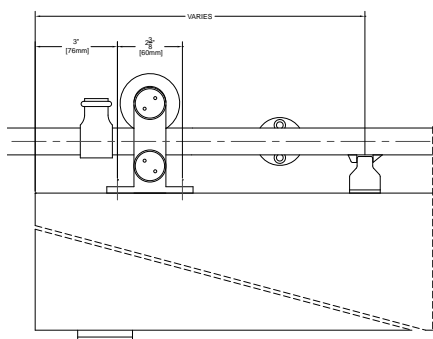
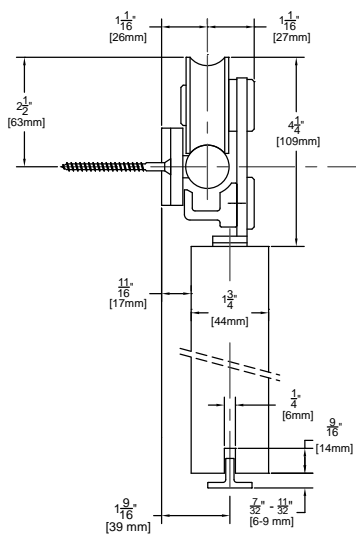
Check the web site for the up-to-date catalog

Copyright © 2015-2021, ASSA ABLOY Accessories and Door Controls Group, Inc., an ASSA ABLOY Group company. All rights reserved. Reproduction in whole or in part without the express written permission of ASSA ABLOY Accessories and Door Controls Group, Inc. is prohibited.

Soft Close Stainless Steel Sliding Track Hardware System

SFT-W60 Series for Wood Doors

For Sliding Panels up to 176 lbs.



NOTE: Alternate route dimension when using optional EPD3BL

Configurations:

- Single

Installations:

- Side Wall Mount (only)-

Features:

- Made of 304 stainless steel
- Soft Close
- Nylon coated stainless steel wheel for smooth operation
- 176 lb. panel capacity
- 5 year warranty
- Meets ADA push force requirements

Finishes:

- Brushed Stainless Steel

SFT-W60 Kits Include:

- 1 ea **SC-BAR/** Stainless Steel Track with Two Soft Close Devices
- **BRACKET2** Stainless Steel Wall Brackets
- 2 ea **SC-62** Stainless Steel Hangers
- 1 ea **102SS-KIT** Stainless Steel Guide
- 2 ea **STOP2** Stainless Steel Stops Mounting Hardware
- 2 ea **SC-TRG** Soft Close Activators

Standard Kit Sizes

Part Number	Material	Track Length	Door Width
SFT-W60/6	304 Stainless Steel	78 ³ / ₄ "	36"
SFT-W60/8	304 Stainless Steel	98 ⁷ / ₁₆ "	48"

Options:

Hardware Pack (One Door) **SC-W60H/PACK**

Mortise Guides **102N**

Polypropylene Guide Rail **EPD3BL** For Use With 102N and 102SS-KIT

5/8" Spacer **BLD-SPACER-58** Pack of 5 5/8" Spacer
Recommended for use with 5/8" Gypsum Board
When Mounting Track Directly to Gypsum Board

1/2" Spacer **BLD-SPACER-12** Pack of 5 1/2" Spacer
Recommended for use with 1/2" Gypsum Board
When Mounting Track Directly to Gypsum Board

800-824-3018 | www.assaabloydooraccessories.us

Check the web site for the up-to-date catalog

Copyright © 2015-2021, ASSA ABLOY Accessories and Door Controls Group, Inc., an ASSA ABLOY Group company. All rights reserved.
Reproduction in whole or in part without the express written permission of ASSA ABLOY Accessories and Door Controls Group, Inc. is prohibited.

ASSA ABLOY
Opening Solutions

Experience a safer
and more open world

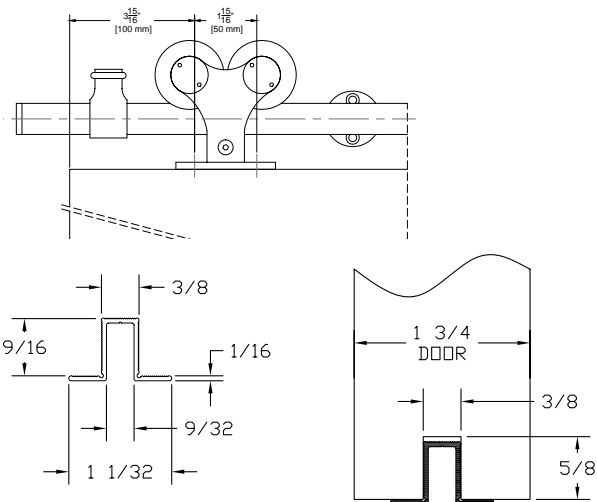
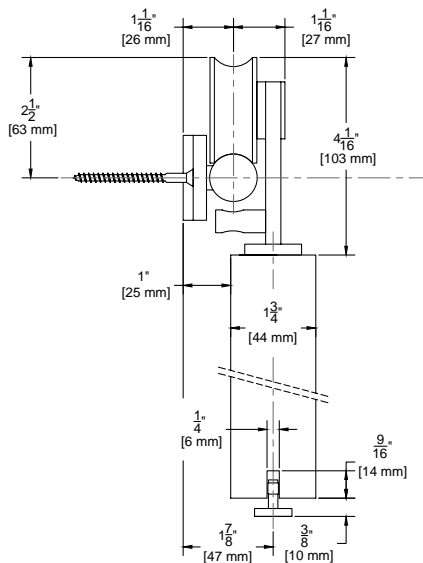
Stainless Steel Sliding Track Hardware System

W70 Series for Wood Doors

For Sliding Panels up to 240 lbs.



Shown with Optional Stop. Part number: STOP1



NOTE: Alternate route dimension when using optional EPD3BL

Configurations:

- Single
- Bi-parting

Installations:

- Side Wall Mount (only)

Features:

- Made of 304 stainless steel
- Nylon coated stainless steel wheel for smooth operation
- 240 lb. panel capacity
- 5 year warranty
- Meets ADA push force requirements

Finishes:

- Brushed Stainless Steel (W70)
- Black Powder Coated Stainless Steel (W70D)
- Polished Stainless Steel (W70P)

W70 Kits Include:

- 1 ea **BAR/_** Stainless Steel Track
- **BRACKET2** Stainless Steel Wall Brackets
- 2 ea **WD72** Stainless Steel Hangers
- 1 ea **102SS-KIT** Stainless Steel Guide
- 2 ea **STOP2** Stainless Steel Stops Mounting Hardware

NOTE: If ordering individual parts in the optional Black Powder Coat, Polished finishes be sure to include a prefix "D" for Black Powder Coat, or "P" for Polished Stainless

Standard Kit Sizes			
Part Number	Material	Track Length	Door Width
W70/6	304 Stainless Steel	78 ³ / ₄ "	36"
W70/8	304 Stainless Steel	98 ⁷ / ₁₆ "	48"
W70D/6	Black Powder Coated Stainless Steel	78 ³ / ₄ "	36"
W70D/8	Black Powder Coated Stainless Steel	98 ⁷ / ₁₆ "	48"
W70P/6	304 Polished Stainless Steel	78 ³ / ₄ "	36"
W70P/8	304 Polished Stainless Steel	98 ⁷ / ₁₆ "	48"

Custom lengths are available. Please contact the factory to order.

Options:

Hardware Pack (One Door) **W70_H/PACK**

Alternate Stop **STOP1**

Mortise Guides **102N**

Polypropylene Guide Rail **EPD3BL** For Use With 102N

5/8" Spacer **BLD-SPACER-58** Pack of 5 5/8" Spacer
Recommended for use with 5/8" Gypsum Board
When Mounting Track Directly to Gypsum Board

1/2" Spacer **BLD-SPACER-12** Pack of 5 1/2" Spacer
Recommended for use with 1/2" Gypsum Board
When Mounting Track Directly to Gypsum Board

ASSA ABLOY
Opening Solutions

Experience a safer
and more open world

800-824-3018 | www.assaabloydooraccessories.us

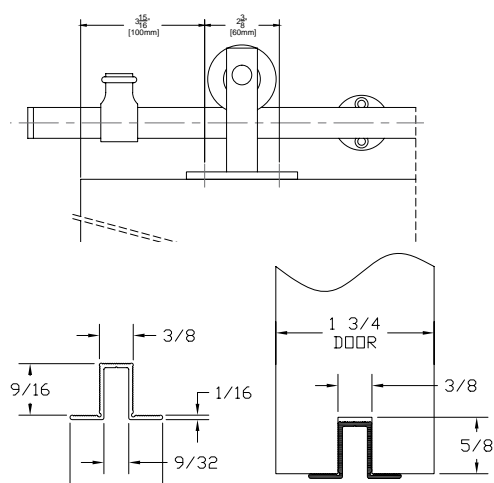
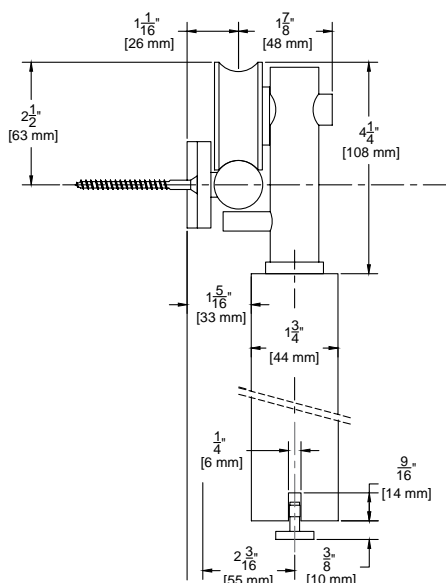
Check the web site for the up-to-date catalog

Copyright © 2015-2021, ASSA ABLOY Accessories and Door Controls Group, Inc., an ASSA ABLOY Group company. All rights reserved. Reproduction in whole or in part without the express written permission of ASSA ABLOY Accessories and Door Controls Group, Inc. is prohibited.

Stainless Steel Sliding Track Hardware System

W80 Series for Wood Doors

For Sliding Panels up to 176 lbs.



NOTE: Alternate route dimension when using optional EPD3BL

Configurations:

- Single
- Bi-parting

Installations:

- Side Wall Mount (only)

Features:

- Made of 304 stainless steel
- Nylon coated stainless steel wheel for smooth operation
- 176 lb. panel capacity
- 5 year warranty
- Meets ADA push force requirements

Finishes:

- Brushed Stainless Steel (W80)
- Black Powder Coated Stainless Steel (W80D)
- Polished Stainless Steel (W80P)

W80 Kits Include:

- 1 ea **BAR/_** Stainless Steel Track
- **BRACKET2** Stainless Steel Wall Brackets
- 2 ea **WD82** Stainless Steel Hangers
- 1 ea **102SS-KIT** Stainless Steel Guide
- 2 ea **STOP2** Stainless Steel Stops Mounting Hardware

NOTE: If ordering individual parts in the optional Black Powder Coat, Polished finishes be sure to include a prefix "D" for Black Powder Coat, or "P" for Polished Stainless

Standard Kit Sizes			
Part Number	Material	Track Length	Door Width
W80/6	304 Stainless Steel	78 ³ / ₄ "	36"
W80/8	304 Stainless Steel	98 ⁷ / ₁₆ "	48"
W80D/6	Black Powder Coated Stainless Steel	78 ³ / ₄ "	36"
W80D/8	Black Powder Coated Stainless Steel	98 ⁷ / ₁₆ "	48"
W80P/6	304 Polished Stainless Steel	78 ³ / ₄ "	36"
W80P/8	304 Polished Stainless Steel	98 ⁷ / ₁₆ "	48"

Custom lengths are available. Please contact the factory to order.

Options:

- Hardware Pack (One Door) **W80_H/PACK**
- Mortise Guides **102N**
- Polypropylene Guide Rail **EPD3BL** For Use With 102N
- 5/8" Spacer **BLD-SPACER-58** Pack of 5 5/8" Spacer
Recommended for use with 5/8" Gypsum Board
When Mounting Track Directly to Gypsum Board
- 1/2" Spacer **BLD-SPACER-12** Pack of 5 1/2" Spacer
Recommended for use with 1/2" Gypsum Board
When Mounting Track Directly to Gypsum Board

800-824-3018 | www.assaabloydooraccessories.us

Check the web site for the up-to-date catalog

Copyright © 2015-2021, ASSA ABLOY Accessories and Door Controls Group, Inc., an ASSA ABLOY Group company. All rights reserved. Reproduction in whole or in part without the express written permission of ASSA ABLOY Accessories and Door Controls Group, Inc. is prohibited.

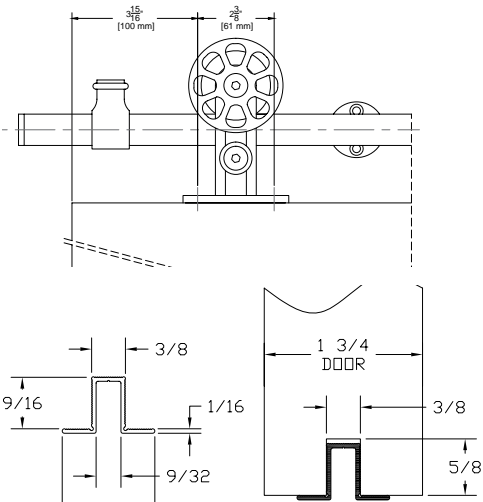
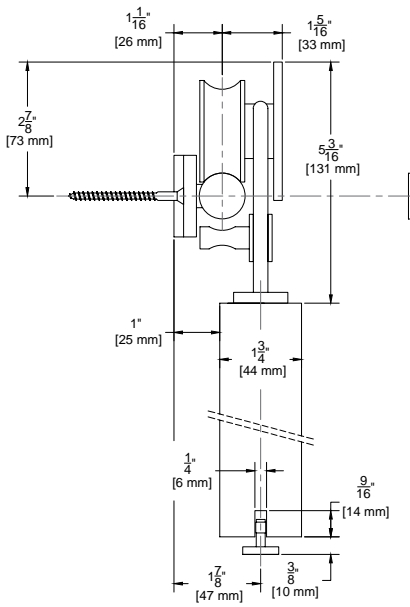
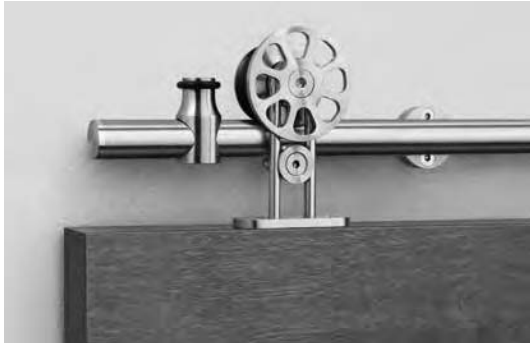
ASSA ABLOY
Opening Solutions

Experience a safer
and more open world

Stainless Steel Sliding Track Hardware System

W90 Series for Wood Doors

For Sliding Panels up to 176 lbs.



NOTE: Alternate route dimension when using optional EPD3BL

ASSA ABLOY
Opening Solutions

Experience a safer
and more open world

Configurations:

- Single
- Bi-parting

Installations:

- Side Wall Mount (only)

Features:

- Made of 304 stainless steel
- Nylon coated stainless steel wheel for smooth operation
- 176 lb. panel capacity
- 5 year warranty
- Meets ADA push force requirements

Finishes:

- Brushed Stainless Steel (W90)
- Black Powder Coated Stainless Steel (W90D)

W90 Kits Include:

- 1 ea **BAR/_** Stainless Steel Track
 - **BRACKET2** Stainless Steel Wall Brackets
 - 2 ea **WD92** Stainless Steel Hangers
 - 1 ea **102SS-KIT** Stainless Steel Guide
 - 2 ea **STOP2** Stainless Steel Stops Mounting Hardware
- NOTE: If ordering individual parts in the optional Black Powder Coat, be sure to include a prefix "D" for Black Powder Coat

Standard Kit Sizes			
Part Number	Material	Track Length	Door Width
W90/6	304 Stainless Steel	78 ³ / ₄ "	36"
W90/8	304 Stainless Steel	98 ⁷ / ₁₆ "	48"
W90D/6	Black Powder Coated Stainless Steel	78 ³ / ₄ "	36"
W90D/8	Black Powder Coated Stainless Steel	98 ⁷ / ₁₆ "	48"

Custom lengths are available. Please contact the factory to order.

Options:

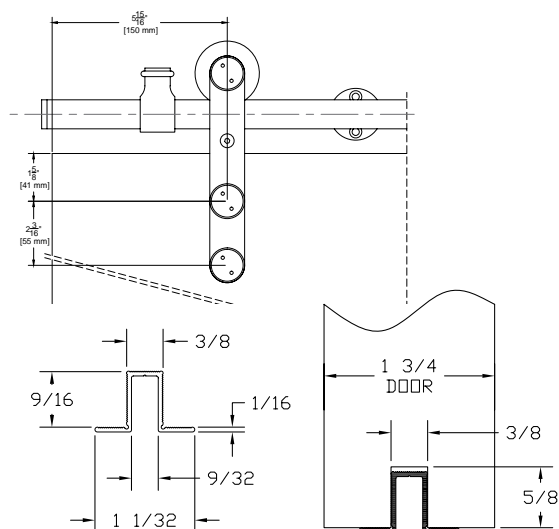
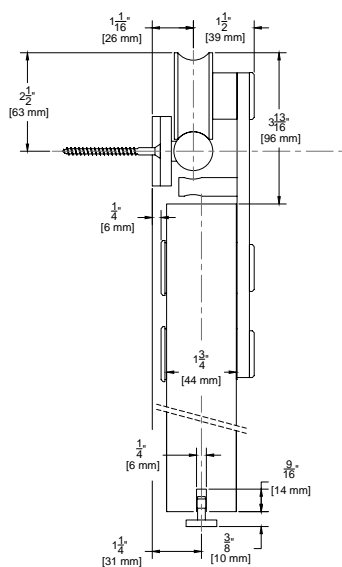
- Hardware Pack (One Door) **W90_H/PACK**
- Mortise Guides **102N**
- Polypropylene Guide Rail **EPD3BL** For Use With 102N
- 5/8" Spacer **BLD-SPACER-58** Pack of 5 5/8" Spacer
Recommended for use with 5/8" Gypsum Board
When Mounting Track Directly to Gypsum Board
- 1/2" Spacer **BLD-SPACER-12** Pack of 5 1/2" Spacer
Recommended for use with 1/2" Gypsum Board
When Mounting Track Directly to Gypsum Board

800-824-3018 | www.assaabloydooraccessories.us
Check the web site for the up-to-date catalog

Stainless Steel Sliding Track Hardware System

W100 Series for Wood Doors

For Sliding Panels up to 198 lbs.



NOTE: Alternate route dimension when using optional EPD3BL

Configurations:

- Single
- Bi-parting

Installations:

- Side Wall Mount (only)

Features:

- Made of 304 stainless steel
- Nylon coated stainless steel wheel for smooth operation
- 198 lb. panel capacity
- 5 year warranty
- Meets ADA push force requirements

Finishes:

- Brushed Stainless Steel (W100)
- Black Powder Coated Stainless Steel (W100D)
- Polished Stainless Steel (W100P)

W100 Kits Include:

- 1 ea **BAR/_** Stainless Steel Track
- **BRACKET2** Stainless Steel Wall Brackets
- 2 ea **WD111** Stainless Steel Hangers
- 1 ea **102SS-KIT** Stainless Steel Guide
- 2 ea **STOP2** Stainless Steel Stops Mounting Hardware

NOTE: If ordering individual parts in the optional Black Powder Coat, Polished finishes be sure to include a prefix "D" for Black Powder Coat, or "P" for Polished Stainless

Standard Kit Sizes

Part Number	Material	Track Length	Door Width
W100/6	304 Stainless Steel	78 ³ / ₄ "	36"
W100/8	304 Stainless Steel	98 ⁷ / ₁₆ "	48"
W100D/6	Black Powder Coated Stainless Steel	78 ³ / ₄ "	36"
W100D/8	Black Powder Coated Stainless Steel	98 ⁷ / ₁₆ "	48"
W100P/6	304 Polished Stainless Steel	78 ³ / ₄ "	36"
W100P/8	304 Polished Stainless Steel	98 ⁷ / ₁₆ "	48"

Custom lengths are available. Please contact the factory to order.

Options:

- Hardware Pack (One Door) **W100_H/PACK**
- Mortise Guides **102N**
- Polypropylene Guide Rail **EPD3BL** For Use With 102N
- 5/8" Spacer **BLD-SPACER-58** Pack of 5 5/8" Spacer
Recommended for use with 5/8" Gypsum Board
When Mounting Track Directly to Gypsum Board
- 1/2" Spacer **BLD-SPACER-12** Pack of 5 1/2" Spacer
Recommended for use with 1/2" Gypsum Board
When Mounting Track Directly to Gypsum Board

800-824-3018 | www.assaabloydooraccessories.us

Check the web site for the up-to-date catalog

Copyright © 2015-2021, ASSA ABLOY Accessories and Door Controls Group, Inc., an ASSA ABLOY Group company. All rights reserved.
Reproduction in whole or in part without the express written permission of ASSA ABLOY Accessories and Door Controls Group, Inc. is prohibited.

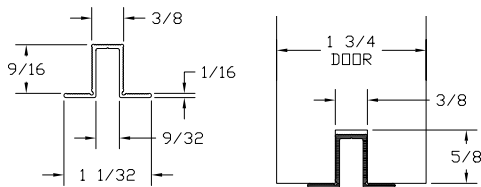
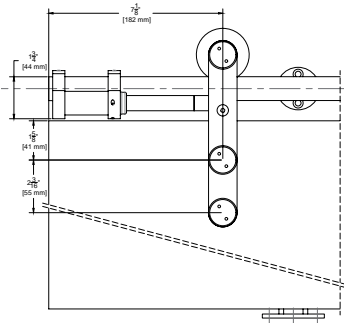
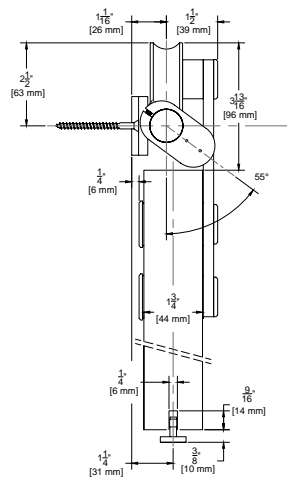
ASSA ABLOY
Opening Solutions

Experience a safer
and more open world

Stainless Steel Sliding Track Hardware System With Cushion Stop

CS-W100 Series for Wood Doors

For Sliding Panels up to 198 lbs.



NOTE: Alternate route dimension when using optional EPD3BL

Configurations:

- Single

Installations:

- Side Wall Mount (only)

Features:

- Made of 304 stainless steel
- Prevents door racking and bounce back
- Extends life of upper hardware
- Nylon coated stainless steel wheel for smooth operation
- 198 lb. panel capacity
- 5 year warranty
- Meets ADA push force requirements

Finishes:

- Brushed Stainless Steel
- Black Powder Coated Stainless Steel
- Polished Stainless Steel

CS-W100 Kits Include:

- 1 ea **BAR/** Stainless Steel Track
- **BRACKET2** Stainless Steel Wall Brackets
- 2 ea **WD111** Stainless Steel Hangers
- 1 ea **102SS-KIT** Stainless Steel Guide
- 1 pr **CS-003SS** Stainless Steel Cushion Stops

NOTE: If ordering individual parts in the optional Dark Bronze or Polished finishes, be sure to include a suffix "D" for Dark Bronze or "P" for Polished Stainless

Standard Kit Sizes			
Part Number	Material	Track Length	Door Width
CS- W100/6	304 Stainless Steel	78 ³ / ₄ "	36"
CS- W100/8	304 Stainless Steel	98 ⁷ / ₁₆ "	48"
CS- W100D/6	Black Powder Coated Stainless Steel	78 ³ / ₄ "	36"
CS- W100D/8	Black Powder Coated Stainless Steel	98 ⁷ / ₁₆ "	48"
CS- W100P/6	304 Polished Stainless Steel	78 ³ / ₄ "	36"
CS- W100P/8	304 Polished Stainless Steel	98 ⁷ / ₁₆ "	48"

Custom lengths are available. Please contact the factory to order.

Options:

- Mortise Guides **102N**
- Polypropylene Guide Rail **EPD3BL For Use With 102SS-KIT**
- Cushion Stops **CS-003SS** (sold as pair) For use with existing openings that have W100 hardware installed"
- 5/8" Spacer **BLD-SPACER-58** Pack of 5 5/8" Spacer Recommended for use with 5/8" Gypsum Board When Mounting Track Directly to Gypsum Board
- 1/2" Spacer **BLD-SPACER-12** Pack of 5 1/2" Spacer Recommended for use with 1/2" Gypsum Board When Mounting Track Directly to Gypsum Board

ASSA ABLOY
Opening Solutions

Experience a safer
and more open world

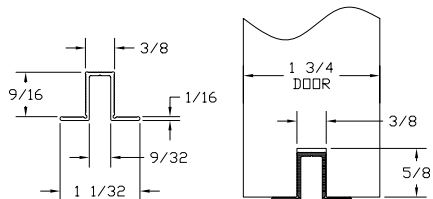
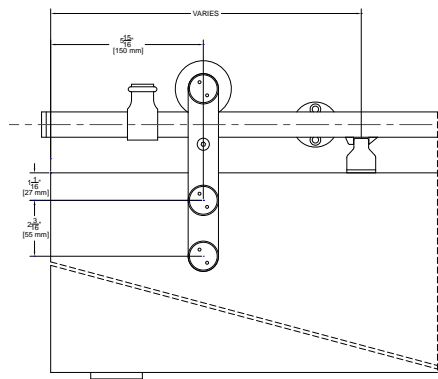
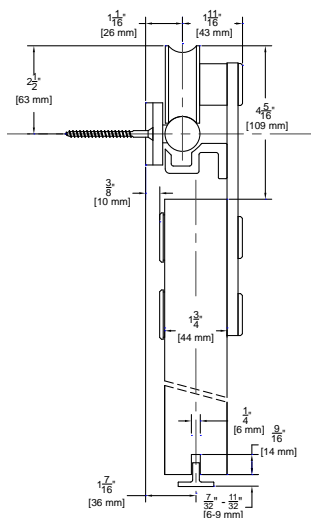
800-824-3018 | www.assaabloydooraccessories.us
Check the web site for the up-to-date catalog

Copyright © 2015-2021, ASSA ABLOY Accessories and Door Controls Group, Inc., an ASSA ABLOY company. All rights reserved. Reproduction in whole or in part without the express written permission of ASSA ABLOY Accessories and Door Controls Group, Inc. is prohibited.

Soft Close Stainless Steel Sliding Track Hardware System

SFT-W100 Series for Wood Doors

For Sliding Panels up to 198 lbs.



Configurations:

- Single

Installations:

- Side Wall Mount (only)

Features:

- Made of 304 stainless steel
- Soft Close
- Nylon coated stainless steel wheel for smooth operation
- 198 lb. panel capacity
- 5 year warranty
- Meets ADA push force requirements

Finishes:

- Brushed Stainless Steel

SFT-W100 Kits Include:

- 1 ea **SC-BAR/_** Stainless Steel Track with Two Soft Close Devices
- **BRACKET2** Stainless Steel Wall Brackets
- 2 ea **SC-111** Stainless Steel Hangers
- 1 ea **102SS-KIT** Stainless Steel Guide
- 2 ea **STOP2** Stainless Steel Stops Mounting Hardware
- 2 ea **SC-TRG** Soft Close Activators

Standard Kit Sizes			
Part Number	Material	Track Length	Door Width
SFT-W100/6	304 Stainless Steel	78 ³ / ₄ "	36"
SFT-W100/8	304 Stainless Steel	98 ⁷ / ₁₆ "	48"

Options:

Hardware Pack (One Door) **SC-W100H/PACK**

Mortise Guides **102N**

Polypropylene Guide Rail **EPD3BL** For Use With 102N and 102SS-KIT

5/8" Spacer

1/2" Spacer

BLD-SPACER-58 Pack of 5 5/8" Spacer
Recommended for use with 5/8" Gypsum Board
When Mounting Track Directly to Gypsum Board

BLD-SPACER-12 Pack of 5 1/2" Spacer
Recommended for use with 1/2" Gypsum Board
When Mounting Track Directly to Gypsum Board

NOTE: Alternate route dimension when using optional EPD3BL

800-824-3018 | www.assaabloydooraccessories.us

Check the web site for the up-to-date catalog

Copyright © 2015-2021, ASSA ABLOY Accessories and Door Controls Group, Inc., an ASSA ABLOY Group company. All rights reserved.
Reproduction in whole or in part without the express written permission of ASSA ABLOY Accessories and Door Controls Group, Inc. is prohibited.

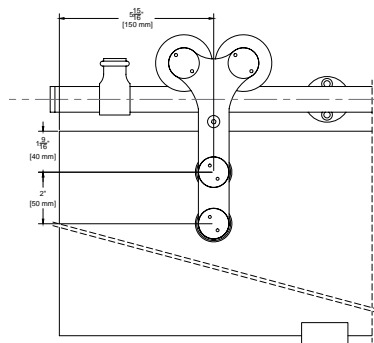
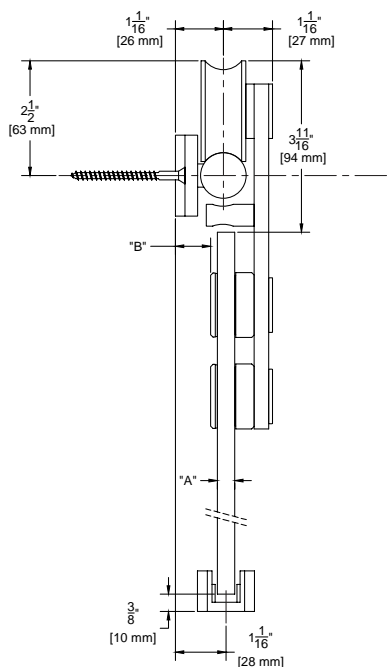
ASSA ABLOY
Opening Solutions

Experience a safer
and more open world

Stainless Steel Sliding Track Hardware System

G70 Series for Glass Doors

For Sliding Panels up to 240 lbs.



Glass Thickness "A"	Distance from Wall "B"
3/8"	3/4"
1/2"	5/8"

Configurations:

- Single
- Bi-parting

Installations:

- Side Wall Mount (only)

Features:

- Made of 304 stainless steel
- Nylon coated stainless steel wheel for smooth operation
- 240 lb. panel capacity
- 5 year warranty
- Meets ADA push force requirements

Finishes:

- Brushed Stainless Steel (G70)

G70 Kits Include:

- 1 ea **BAR/_** Stainless Steel Track
- **BRACKET2** Stainless Steel Wall Brackets
- 2 ea **32** Stainless Steel Hangers
- 1 ea **GLASSGUIDE** Stainless Steel Guide
- 2 ea **STOP2** Stainless Steel Stops Mounting Hardware

Standard Kit Sizes

Part Number	Material	Track Length	Door Width
G70/6	304 Stainless Steel	78 ³ / ₄ "	36"
G70/8	304 Stainless Steel	98 ⁷ / ₁₆ "	48"

Custom lengths are available. Please contact the factory to order.

Options:

Hardware Pack (One Door) **G70H/PACK**

Alternate Stop **STOP1**

5/8" Spacer

BLD-SPACER-58 Pack of 5 5/8" Spacer
Recommended for use with 5/8" Gypsum Board
When Mounting Track Directly to Gypsum Board

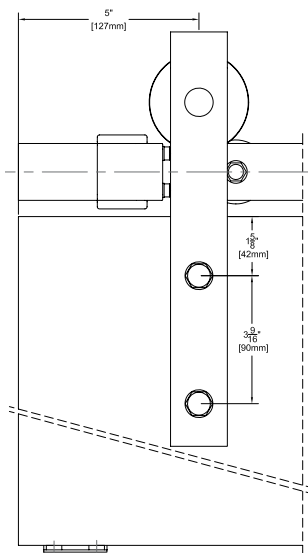
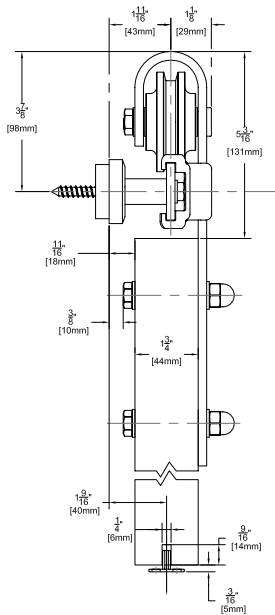
1/2" Spacer

BLD-SPACER-12 Pack of 5 1/2" Spacer
Recommended for use with 1/2" Gypsum Board
When Mounting Track Directly to Gypsum Board

Builders Series Flat Track Sliding Door Hardware System

BLD-FT-01 for Wood Doors

For Sliding Panels up to 240 lbs.



Configurations:

- Single
- Bi-parting

Installations:

- Side Wall Mount (only)

Features:

- Solid nylon wheel for smooth operation
- 240 lb. panel capacity
- Optional Soft Close
- 5 year warranty
- Meets ADA push force requirements

Finishes:

- Black Suede Powder Coated Steel (BLD-FT-01BSP)
- Industrial Steel Zinc Coated Steel (BLD-FT-01IS)

BLD-FT-01 Kits Include:

- 1 ea **BLD-FT_/_** Steel Flat Track
- 5 ea **BLD-99_** Steel Track Brackets
- 5 ea **BLD-88_** Steel Track Fasteners
- 2 ea **BLD-01_** Steel Strap Mount Hangers
- 2 ea **BLD-77** Anti-Rise Discs
- 1 ea **102N** Mortised Type Nylon Guide
- 2 ea **BLD-11_** Steel Track Stops Mounting Hardware

Standard Kit Sizes

Part Number	Material	Track Length	Door Width
BLD-FT-01IS/6	Industrial Steel	72"	36"
BLD-FT-01IS/8	Industrial Steel	96"	48"
BLD-FT-01BSP/6	Black Suede Powder Coated Steel	72"	36"
BLD-FT-01BSP/8	Black Suede Powder Coated Steel	96"	48"

Custom lengths are available. Please contact the factory to order.

Options:

Thru-bolts for 1 3/8" thick doors 4 per door **BLD-97-__**

Hardware Pack (One Door) **BLD-FT01-__/PACK**

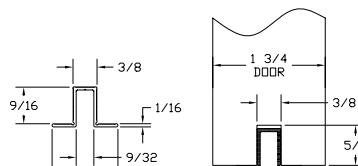
Side Wall Mortised Type Guide **102WN-KIT**

Polypropylene Guide Rail **EPD3BL** For Use With 102N

5/8" Spacer **BLD-SPACER-58** Pack of 5 5/8" Spacer Recommended for use with 5/8" Gypsum Board When Mounting Track Directly to Gypsum Board

1/2" Spacer **BLD-SPACER-12** Pack of 5 1/2" Spacer Recommended for use with 1/2" Gypsum Board When Mounting Track Directly to Gypsum Board

Soft Close available. See pages 275-277 for more information.



NOTE: Alternate route dimension when using optional EPD3BL

ASSA ABLOY
Opening Solutions

Experience a safer
and more open world

800-824-3018 | www.assaabloydooraccessories.us

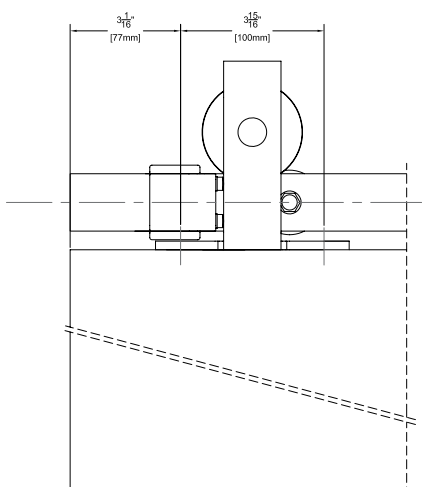
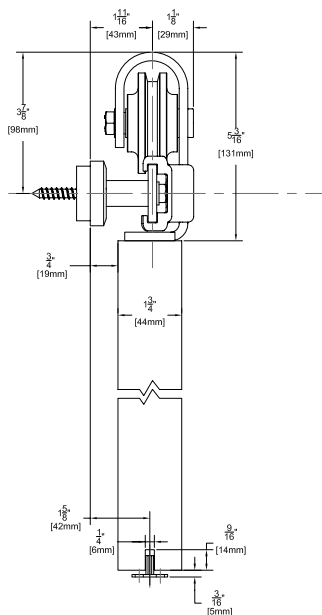
Check the web site for the up-to-date catalog

Copyright © 2015-2021, ASSA ABLOY Accessories and Door Controls Group, Inc., an ASSA ABLOY company. All rights reserved. Reproduction in whole or in part without the express written permission of ASSA ABLOY Accessories and Door Controls Group, Inc. is prohibited.

Builders Series Flat Track Sliding Door Hardware System

BLD-FT-02 for Wood Doors

For Sliding Panels up to 240 lbs.



Configurations:

- Single
- Bi-parting

Installations:

- Side Wall Mount (only)

Features:

- Solid nylon wheel for smooth operation
- 240 lb. panel capacity
- Optional Soft Close
- 5 year warranty
- Meets ADA push force requirements

Finishes:

- Black Suede Powder Coated Steel (BLD-FT-02BSP)
- Industrial Steel Zinc Coated Steel (BLD-FT-02IS)

BLD-FT-02 Kits Include:

- 1 ea **BLD-FT-_/_** Steel Flat Track
- 5 ea **BLD-99-_/_** Steel Track Brackets
- 5 ea **BLD-88-_/_** Steel Track Fasteners
- 2 ea **BLD-02-_/_** Steel Top Mount Hangers
- 2 ea **BLD-77** Anti-Rise Discs
- 1 ea **102N** Mortised Type Nylon Guide
- 2 ea **BLD-11-_/_** Steel Track Stops Mounting Hardware

Standard Kit Sizes			
Part Number	Material	Track Length	Door Width
BLD-FT-02IS/6	Industrial Steel	72"	36"
BLD-FT-02IS/8	Industrial Steel	96"	48"
BLD-FT-02BSP/6	Black Suede Powder Coated Steel	72"	36"
BLD-FT-02BSP/8	Black Suede Powder Coated Steel	96"	48"

Custom lengths are available. Please contact the factory to order.

Options: See page 278

Hardware Pack (One Door)

Side Wall Mortised Type Guide

Polypropylene Guide Rail

5/8" Spacer

1/2" Spacer

BLD-FT02-_/_/PACK

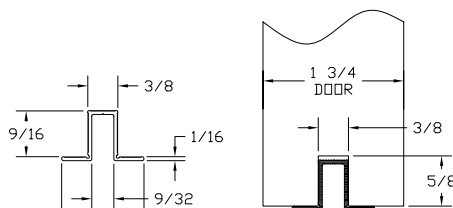
102WN-KIT

EPD3BL For Use With 102N

BLD-SPACER-58 Pack of 5 5/8" Spacer Recommended for use with 5/8" Gypsum Board When Mounting Track Directly to Gypsum Board

BLD-SPACER-12 Pack of 5 1/2" Spacer Recommended for use with 1/2" Gypsum Board When Mounting Track Directly to Gypsum Board

Soft Close available. See pages 275-277 for more information.



NOTE: Alternate route dimension when using optional EPD3BL

800-824-3018 | www.assaabloydooraccessories.us

Check the web site for the up-to-date catalog

Copyright © 2015-2021, ASSA ABLOY Accessories and Door Controls Group, Inc., an ASSA ABLOY Group company. All rights reserved. Reproduction in whole or in part without the express written permission of ASSA ABLOY Accessories and Door Controls Group, Inc. is prohibited.

ASSA ABLOY
Opening Solutions

Experience a safer
and more open world

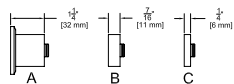
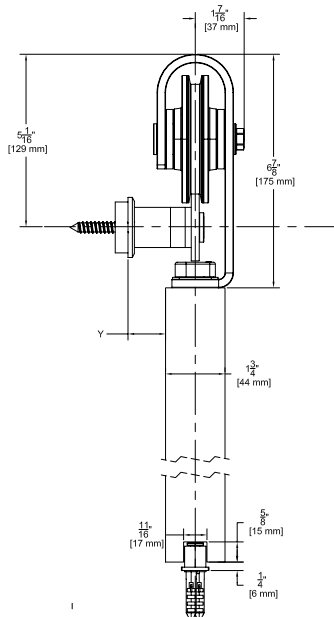
Designer Series Flat Track Sliding Door Hardware System

DSG-FT-03 for Wood Doors

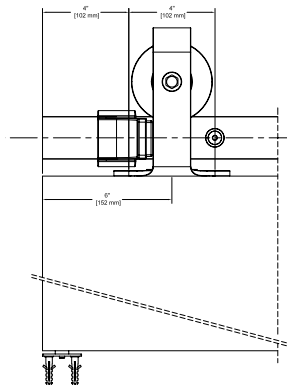
For Sliding Panels up to 500 lbs.



Shown in 10BE Satin Bronze finish



Wall Bracket Combination				
	A	A+C	A+B	A+B+C
"Y"	1/2"	3/4"	1"	1-1/4"



Configurations:

- Single
- Bi-parting

Installations:

- Side Wall Mount (only)

Features:

- Solid steel wheel with a polymer resin contact surface for smooth operation
- 500 lb. panel capacity
- 5 year warranty

Finishes:

- Black Suede Powder Coated Steel (DSG-FT-03BSP)
- Industrial Steel Zinc Coated Steel (DSG-FT-03IS)
- Wrought Black Powder Coated Steel (DSG-FT-03WB)
- 10BE Satin Bronze Powder Coated Steel (DSG-FT-03BZ)
- Stainless Steel (DSG-FT-03SS)

DSG-FT-03 Kits include:

- 1 ea **DSG-FT-/_** Steel Flat Track
- 7 to 9 ea **DSG-100-/_** Steel Track Brackets
- 7 to 9 ea **DSG-89-/_** Steel Track Fasteners
- 2 ea **DSG-03-/_** Steel Top Mount Hangers
- 2 ea **DSG-78** Anti-Rise Blocks
- 1 ea **DSG-106** Mortised Type Roller Guide
- 2 ea **DSG-12-/_** Steel Track Stops Mounting Hardware

Standard Kit Sizes

Part Number	Material	Track Length	Door Width
DSG-FT-03IS/6	Industrial Steel	72"	36"
DSG-FT-03IS/8	Industrial Steel	96"	48"
DSG-FT-03BSP/6	Black Suede Powder Coated Steel	72"	36"
DSG-FT-03BSP/8	Black Suede Powder Coated Steel	96"	48"
DSG-FT-03WB/6	Wrought Black Powder Coated Steel	72"	36"
DSG-FT-03WB/8	Wrought Black Powder Coated Steel	96"	48"
DSG-FT-03BZ/6	10BE Satin Bronze Powder Coated Steel	72"	36"
DSG-FT-03BZ/8	10BE Satin Bronze Powder Coated Steel	96"	48"
DSG-FT-03SS/6	Stainless Steel	72"	36"
DSG-FT-03SS/8	Stainless Steel	96"	48"

Custom lengths are available. Please contact the factory to order.

Options:

- Hardware Pack (One Door)
- Side Wall Mortised Type Guide
- 5/8" Spacer

DSG-FT03-_/PACK

102WN-KIT

BLD-SPACER-58 Pack of 5 5/8" Spacer Recommended for use with 5/8" Gypsum Board When Mounting Track Directly to Gypsum Board

- 1/2" Spacer

BLD-SPACER-12 Pack of 5 1/2" Spacer Recommended for use with 1/2" Gypsum Board When Mounting Track Directly to Gypsum Board

Soft Close available. See pages 275-277 for more information.

ASSA ABLOY
Opening Solutions

Experience a safer
and more open world

800-824-3018 | www.assaabloydooraccessories.us

Check the web site for the up-to-date catalog

Copyright © 2015-2021, ASSA ABLOY Accessories and Door Controls Group, Inc., an ASSA ABLOY Group company. All rights reserved. Reproduction in whole or in part without the express written permission of ASSA ABLOY Accessories and Door Controls Group, Inc. is prohibited.

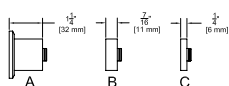
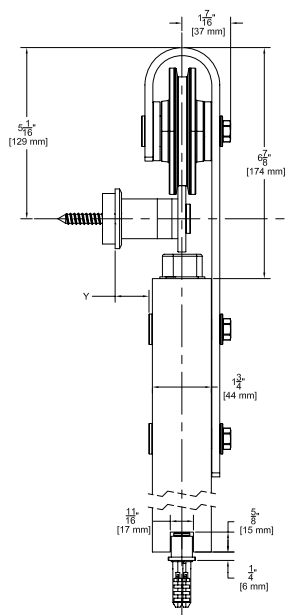
Designer Series Flat Track Sliding Door Hardware System

DSG-FT-04 for Wood Doors

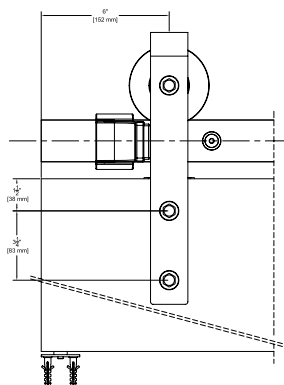
For Sliding Panels up to 500 lbs.
Only for doors 1 1/2" to 2 1/4" thick.



Shown in Wrought Black finish



Wall Bracket Combination				
	A	A+C	A+B	A+B+C
"Y"	7/16"	11/16"	7/8"	1-1/8"



Configurations:

- Single
- Bi-parting

Installations:

- Side Wall Mount (only)

Features:

- Solid steel wheel with a polymer resin contact surface for smooth operation
- 500 lb. panel capacity
- 5 year warranty

Finishes:

- Black Black Suede Powder Coated Steel (DSG-FT-04BSP)
- Industrial Steel Zinc Coated Steel (DSG-FT-04IS)
- Wrought Black Powder Coated Steel (DSG-FT-04WB)
- 10BE Satin Bronze Powder Coated Steel (DSG-FT-04BZ)
- Stainless Steel (DSG-FT-04SS)

DSG-FT-04 Kits include:

- 1 ea **DSG-FT-/_** Steel Flat Track
- 7 to 9 ea **DSG-100-/_** Steel Track Brackets
- 7 to 9 ea **DSG-89-/_** Steel Track Fasteners
- 2 ea **DSG-04-/_** Steel Top Mount Hangers
- 2 ea **DSG-78** Anti-Rise Blocks
- 1 ea **DSG-106** Mortised Type Roller Guide
- 2 ea **DSG-12-/_** Steel Track Stops Mounting Hardware

Standard Kit Sizes

Part Number	Material	Track Length	Door Width
DSG-FT-04IS/6	Industrial Steel	72"	36"
DSG-FT-04IS/8	Industrial Steel	96"	48"
DSG-FT-04BSP/6	Black Suede Powder Coated Steel	72"	36"
DSG-FT-04BSP/8	Black Suede Powder Coated Steel	96"	48"
DSG-FT-04WB/6	Wrought Black Powder Coated Steel	72"	36"
DSG-FT-04WB/8	Wrought Black Powder Coated Steel	96"	48"
DSG-FT-04BZ/6	10BE Satin Bronze Powder Coated Steel	72"	36"
DSG-FT-04BZ/8	10BE Satin Bronze Powder Coated Steel	96"	48"
DSG-FT-04SS/6	Stainless Steel	72"	36"
DSG-FT-04SS/8	Stainless Steel	96"	48"

Custom lengths are available. Please contact the factory to order.

Options:

- Hardware Pack (One Door)
- Side Wall Mortised Type Guide
- 5/8" Spacer

DSG-FT04-___/PACK

102WN-KIT

BLD-SPACER-58 Pack of 5 5/8" Spacer Recommended for use with 5/8" Gypsum Board When Mounting Track Directly to Gypsum Board

- 1/2" Spacer

BLD-SPACER-12 Pack of 5 1/2" Spacer Recommended for use with 1/2" Gypsum Board When Mounting Track Directly to Gypsum Board

Soft Close available. See pages 275-277 for more information.

800-824-3018 | www.assaabloydooraccessories.us

Check the web site for the up-to-date catalog

Copyright © 2015-2021, ASSA ABLOY Accessories and Door Controls Group, Inc., an ASSA ABLOY Group company. All rights reserved. Reproduction in whole or in part without the express written permission of ASSA ABLOY Accessories and Door Controls Group, Inc. is prohibited.

ASSA ABLOY
Opening Solutions

Experience a safer
and more open world

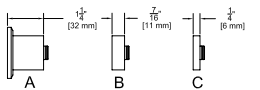
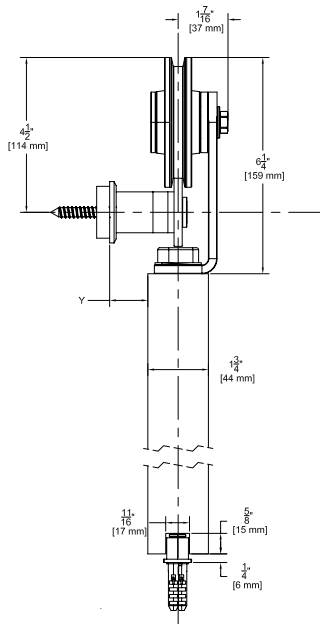
Designer Series Flat Track Sliding Door Hardware System

DSG-FT-05 for Wood Doors

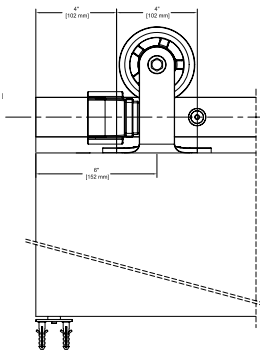
For Sliding Panels up to 500 lbs.



Shown in Industrial Steel finish



Wall Bracket Combination				
	A	A+C	A+B	A+B+C
"Y"	1/2"	3/4"	1"	1-1/4"



ASSA ABLOY
Opening Solutions

Experience a safer
and more open world

Configurations:

- Single
- Bi-parting

Installations:

- Side Wall Mount (only)

Features:

- Solid steel wheel with a polymer resin contact surface for smooth operation
- 500 lb. panel capacity
- 5 year warranty

Finishes:

- Black Suede Powder Coated Steel (DSG-FT-05BSP)
- Industrial Steel Zinc Coated Steel (DSG-FT-05IS)
- Wrought Black Powder Coated Steel (DSG-FT-05WB)
- 10BE Satin Bronze Powder Coated Steel (DSG-FT-05BZ)
- Stainless Steel (DSG-FT-05SS)

DSG-FT-05 Kits include:

- 1 ea **DSG-FT-__** Steel Flat Track
- 7 to 9 ea **DSG-100-__** Steel Track Brackets
- 7 to 9 ea **DSG-89-__** Steel Track Fasteners
- 2 ea **DSG-05-__** Steel Top Mount Hangers
- 2 ea **DSG-78** Anti-Rise Blocks
- 1 ea **DSG-106** Mortised Type Roller Guide
- 2 ea **DSG-12-__** Steel Track Stops Mounting Hardware

Standard Kit Sizes

Part Number	Material	Track Length	Door Width
DSG-FT-05IS/6	Industrial Steel	72"	36"
DSG-FT-05IS/8	Industrial Steel	96"	48"
DSG-FT-05BSP/6	Black Suede Powder Coated Steel	72"	36"
DSG-FT-05BSP/8	Black Suede Powder Coated Steel	96"	48"
DSG-FT-05WB/6	Wrought Black Powder Coated Steel	72"	36"
DSG-FT-05WB/8	Wrought Black Powder Coated Steel	96"	48"
DSG-FT-05BZ/6	10BE Satin Bronze Powder Coated Steel	72"	36"
DSG-FT-05BZ/8	10BE Satin Bronze Powder Coated Steel	96"	48"
DSG-FT-05SS/6	Stainless Steel	72"	36"
DSG-FT-05SS/8	Stainless Steel	96"	48"

Custom lengths are available. Please contact the factory to order.

Options:

Hardware Pack (One Door)

DSG-FT05-__/_PACK

Side Wall Mortised Type Guide

102WN-KIT

5/8" Spacer

BLD-SPACER-58 Pack of 5 5/8" Spacer Recommended for use with 5/8" Gypsum Board When Mounting Track Directly to Gypsum Board

1/2" Spacer

BLD-SPACER-12 Pack of 5 1/2" Spacer Recommended for use with 1/2" Gypsum Board When Mounting Track Directly to Gypsum Board

Soft Close available. See pages 275-277 for more information.

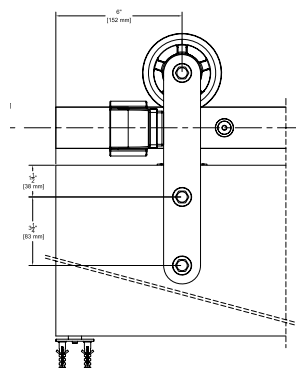
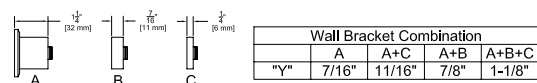
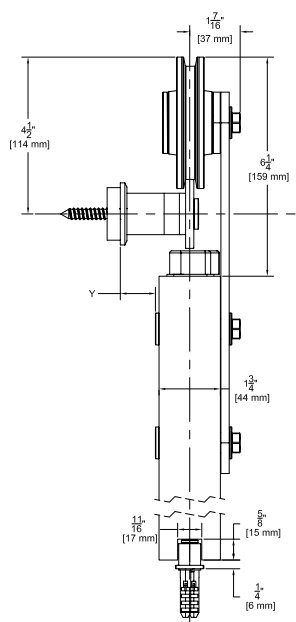
Designer Series Flat Track Sliding Door Hardware System

DSG-FT-06 for Wood Doors

For Sliding Panels up to 500 lbs.
Only for doors 1 1/2" to 2 1/4" thick.



Shown in Stainless Steel with a solid wheel. DGS-FT-06 in all other finishes have spoked wheels.



Configurations:

- Single
- Bi-parting

Installations:

- Side Wall Mount (only)

Features:

- Solid steel wheel with a polymer resin contact surface for smooth operation
- 500 lb. panel capacity
- 5 year warranty

Finishes:

- Black Black Suede Powder Coated Steel (DSG-FT-06BSP)
- Industrial Steel Zinc Coated Steel (DSG-FT-06IS)
- Wrought Black Powder Coated Steel (DSG-FT-06WB)
- 10BE Satin Bronze Powder Coated Steel (DSG-FT-64BZ)
- Stainless Steel (DSG-FT-06SS)

DSG-FT-06 Kits include:

- 1 ea **DSG-FT-/_** Steel Flat Track
- 7 to 9 ea **DSG-100-/_** Steel Track Brackets
- 7 to 9 ea **DSG-89-/_** Steel Track Fasteners
- 2 ea **DSG-06-/_** Steel Top Mount Hangers
- 2 ea **DSG-78** Anti-Rise Blocks
- 1 ea **DSG-106** Mortised Type Roller Guide
- 2 ea **DSG-12-/_** Steel Track Stops Mounting Hardware

Standard Kit Sizes			
Part Number	Material	Track Length	Door Width
DSG-FT-06IS/6	Industrial Steel	72"	36"
DSG-FT-06IS/8	Industrial Steel	96"	48"
DSG-FT-06BSP/6	Black Suede Powder Coated Steel	72"	36"
DSG-FT-06BSP/8	Black Suede Powder Coated Steel	96"	48"
DSG-FT-06WB/6	Wrought Black Powder Coated Steel	72"	36"
DSG-FT-06WB/8	Wrought Black Powder Coated Steel	96"	48"
DSG-FT-06BZ/6	10BE Satin Bronze Powder Coated Steel	72"	36"
DSG-FT-06BZ/8	10BE Satin Bronze Powder Coated Steel	96"	48"
DSG-FT-06SS/6	Stainless Steel	72"	36"
DSG-FT-06SS/8	Stainless Steel	96"	48"

Custom lengths are available. Please contact the factory to order.

Options:

- Hardware Pack (One Door)
- Side Wall Mortised Type Guide
- 5/8" Spacer

DSG-FT06-_/PACK

102WN-KIT

BLD-SPACER-58 Pack of 5 5/8" Spacer Recommended for use with 5/8" Gypsum Board When Mounting Track Directly to Gypsum Board

- 1/2" Spacer

BLD-SPACER-12 Pack of 5 1/2" Spacer Recommended for use with 1/2" Gypsum Board When Mounting Track Directly to Gypsum Board

Soft Close available. See pages 275-277 for more information.

800-824-3018 | www.assaabloydooraccessories.us

Check the web site for the up-to-date catalog

Copyright © 2015-2021, ASSA ABLOY Accessories and Door Controls Group, Inc., an ASSA ABLOY Group company. All rights reserved. Reproduction in whole or in part without the express written permission of ASSA ABLOY Accessories and Door Controls Group, Inc. is prohibited.

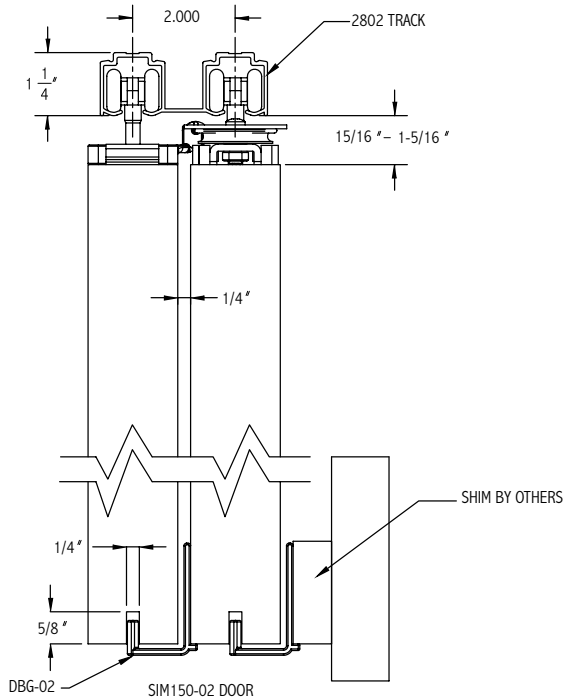
ASSA ABLOY
Opening Solutions

Experience a safer
and more open world

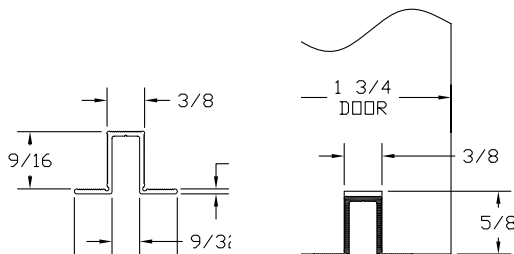
Simultaneous Acting Sliding Door System

SIM 150 for 2 Door Systems

For Sliding Panels up to 176 lbs.



Alternate Route for EPD3BL



ASSA ABLOY
Opening Solutions

Experience a safer
and more open world

Configurations:

- Bi-part Telescoping

Installations:

- Overhead Mount

Features:

- Easy to install with self aligning components
- Telescoping panels glide along the track
- Doors retract into storage pockets when not in use
- 5 year warranty

Finishes:

- Clear (C)
- Dark Bronze (D)

Pulley System Kit Includes:

- Pre-Assembled Pulley System
- In-Track Stops and Hangers
- Door Bottom Guides
- Floor Stops, Back Stop and End Plates
- Installation Fasteners

Single Extrusion Aluminum Track must be ordered separately.

Specify door width when ordering. Default door overlap is 3". Any other overlap must be specified (Min. overlap is 2").

Note: All doors must be of equal width.

Pulley System Kits	
Part Number	Door Width
SIM150-2-LH/25-32	25" - 32"
SIM150-2-LH/33-40	33" - 40"
SIM150-2-LH/41-48	41" - 48"
SIM150-2-RH/25-32	25" - 32"
SIM150-2-RH/33-40	33" - 40"
SIM150-2-RH/41-48	41" - 48"

System Track Ordered Separately		
Track	Finish	Track Length
2802C	Clear	up to 147"
2802D	Dark	up to 185"

Options:

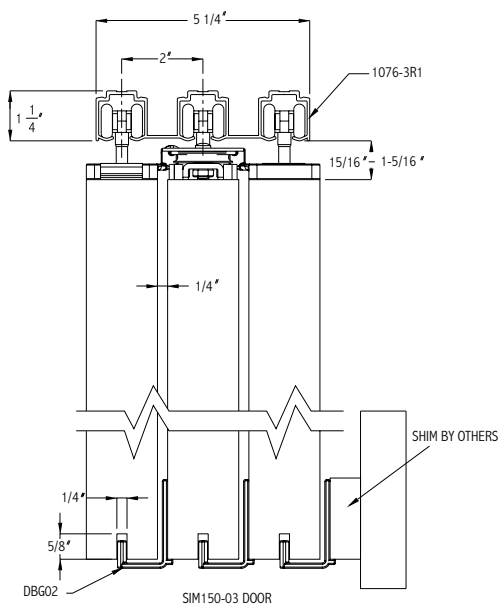
- Lock Kit- includes lock with edge pull, and cup pull, **SIM150-LOCKKIT**
- Bolt Kit- includes surface bolt, dust-proof strike, cup pull, and edge pull, **SIM150-BOLTKIT**
- Snap-on Fascia Available **F134**
- Polypropylene Guide Rail **EPD3BL**

800-824-3018 | www.assaabloydooraccessories.us
Check the web site for the up-to-date catalog

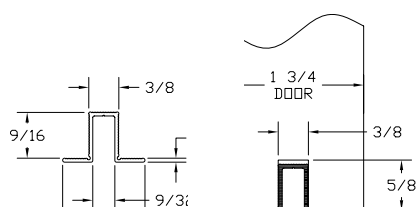
Simultaneous Acting Sliding Door System

SIM 150 for 3 Door Systems

For Sliding Panels up to 176 lbs.



Alternate Route for EPD3BL



Configurations:

- Bi-part Telescoping

Installations:

- Overhead Mount

Features:

- Easy to install with self aligning components
- Telescoping panels glide along the track
- Doors retract into storage pockets when not in use
- 5 year warranty

Finishes:

- Clear (C)
- Dark Bronze (D)

Pulley System Kit Includes:

- Pre-Assembled Pulley System
- In-Track Stops and Hangers
- Door Bottom Guides
- Floor Stops, Back Stop and End Plates
- Installation Fasteners

Single Extrusion Aluminum Track must be ordered separately.

Specify door width when ordering. Default door overlap is 3". Any other overlap must be specified (Min. overlap is 2").

Note: All doors must be of equal width.

Pulley System Kits	
Part Number	Door Width
SIM150-3-LH/25-32	25" - 32"
SIM150-3-LH/33-40	33" - 40"
SIM150-3-LH/41-48	41" - 48"
SIM150-3-RH/25-32	25" - 32"
SIM150-3-RH/33-40	33" - 40"
SIM150-3-RH/41-48	41" - 48"

System Track Ordered Separately		
Track	Finish	Track Length
2803C	Clear	up to 185"
2803D	Dark	up to 185"

Options:

Lock Kit- includes lock with edge pull, and cup pull, **SIM150-LOCKKIT**

Bolt Kit- includes surface bolt, dust-proof strike, cup pull, and edge pull, **SIM150-BOLTKIT**

Snap-on Fascia Available **F134**

Polypropylene Guide Rail **EPD3BL**

Cascading Sliding Door System

For Sliding Panels up to 200 lbs. each.



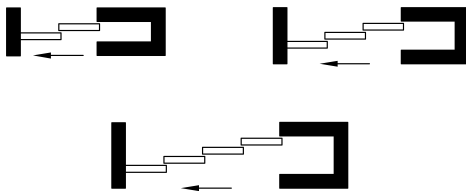
Note: All doors must be of equal width. Minimum overlap between doors is 2".

Cased Opening

NOTE: Aluminum "T" Guide **102PB** Shown Under Options Must be Ordered Separately for Fixed Panel in Cased Opening Application



Pocket



Side Wall Mount

NOTE: Side Wall track Brackets Shown Under Options Must be Ordered Separately for Side Wall Mount Openings



Configurations:

- Bi-part Telescoping
- Single Direction Telescoping

Features:

- Opening and closing of lead door results in the trailing doors to follow because of interlocking hardware at door top edges
- Easy to install with self aligning components on 1 3/4" and 1 3/8" thick doors
- Telescoping panels glide along the track
- Solid steel catches with rubber bumpers ensure durable yet quiet operation
- 200 lb. per door weight capacity
- 5 year warranty

Cascading Kit Includes:

CAS-05 Catches - Mechanical Catch system - 2 Per Door

601H - Track Stops - 2 Per Door

H222R1 - Hangers - 2 Per Door

DBG-02R1 - Door Bottom Guides - 1 Per Door

TELS-23 - End Plates - 2 Per Door

2802C - Single Extrusion - Dual Track

2803C - Single Extrusion - Triple Track

C1076-TC - Track Connector for CAS200A-4/_ Kits

EPD3-BL - Polypropylene Guide Rails - 1 Per Door

WRENCH14 - 1 Hanger Wrench

Hardware Fasteners

Cascading System Kits			
Part Number	Track Length	# of Doors	Installation
CAS200A-2/6	6'	2	Pocket Side Wall
CAS200A-2/8	8'	2	
CAS200A-2/10	10'	2	
CAS200A-2/12	12'	2	
CAS200A-3/8	8'	3	Pocket Cased Opening Side Wall
CAS200A-3/10	10'	3	
CAS200A-3/12	12'	3	
CAS200A-3/16	16'	3	Pocket Cased Opening
CAS200A-4/8	8'	4	
CAS200A-4/10	10'	4	
CAS200A-4/12	12'	4	
CAS200A-4/16	16'	4	

For special number of doors and for dark bronze track, please contact Technical Support for more information

Options:

Lock Kit	SIM150-LOCKKIT includes lock with edge pull and cup pull
Bolt Kit	SIM150-BOLTKIT includes surface bolt, dust-proof strike, cup pull, and edge pull
Fascia	F134C Snap-on Fascia
Splice Kit	C1076-2SPLKIT for use with Bi-Parting systems and 2802C Track C1076-3SPLKIT for use with Bi-Parting systems and 2803C Track
Back Stop	TELS-25 for use with pocket systems when no access to in track stops in pocket
Aluminium "T" Guide	102PB for use with fixed panel in cased opening applications
Side Wall Track Bracket	2812KIT for use with 2802C Track (1 for every 12" of track) 2813KIT for use with 2803C Track (1 for every 12" of track)
Side Wall Joining Bracket	2813-5KIT for use with Side Wall Bi-Parting systems and 2803C Track

ASSA ABLOY
Opening Solutions

Experience a safer
and more open world

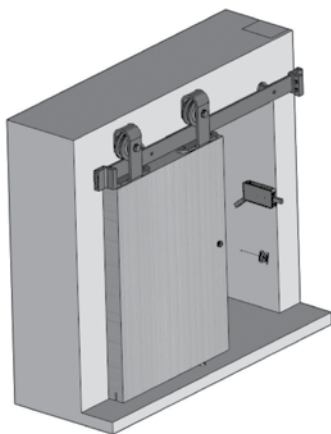
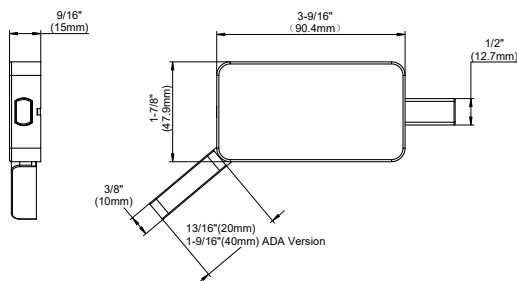
800-824-3018 | www.assaabloydooraccessories.us

Check the web site for the up-to-date catalog

Copyright © 2015-2021, ASSA ABLOY Accessories and Door Controls Group, Inc., an ASSA ABLOY Group company. All rights reserved. Reproduction in whole or in part without the express written permission of ASSA ABLOY Accessories and Door Controls Group, Inc. is prohibited.

Privacy Barn Door Lock

Pemko SDL Series for Surface Mounted Sliding Doors



NOTE: For doors with 3/8" - 3/4" clearance between the wall or frame & door face

Configurations:

- Single

Installations:

- Side Wall Mount (only)
- For Side Wall Mounted Sliding Door Openings only
- New Construction
- Retro
- ADA

Features:

- Quick and easy installation
- Handing is reversible in the field
- ADA option available
- Privacy Function
- Includes Emergency Release Key
- Doors can be prepped in the field
- 5 year warranty

Finishes:

- Brushed Stainless Steel
- Polished Stainless Steel
- Black Graphite
- Contact factory if custom finish is required for more information

Standard Kit Sizes		
Part Number	Material	ADA Compliant
SDL32D	Brushed Stainless	
SDL32	Polished Stainless	
SDL19	Black Graphite	
SDL32D-ADA	Brushed Stainless	•
SDL32-ADA	Polished Stainless	•
SDL19-ADA	Black Graphite	•

Compatible with the following Pemko sliding door kits:

- W60 Series
- W70 Series (with 3/8" to 3/4" clearance)
- W80 Series (with 3/8" to 3/4" clearance)
- W90 Series (with 3/8" to 3/4" clearance)
- W100 Series
- Side Wall Box Track Series (SWT)
- BLD Flat Track Series
- DSG Flat Track Series (with 3/8" to 3/4" clearance)

Options & Accessories

A visual guide to various parts

Mounting Brackets

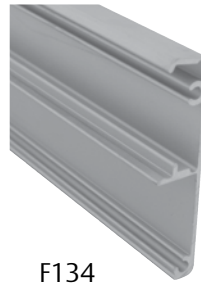


281
(Sold in 5 packs, PC2815)



2812

Fascia



F134

End plates

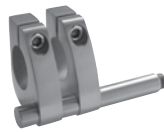


K134EP

Stops



TELS-14KIT



STOP1
W70 and G70 Kits only



PFBS



601H

Guides



102N



PFBG-4



106R/94



102WA



PFBG-8



106N/94

Pulls and Flush Bolts

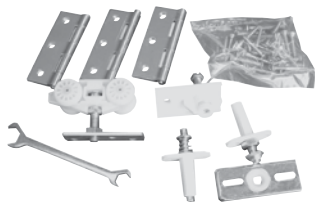


503SF

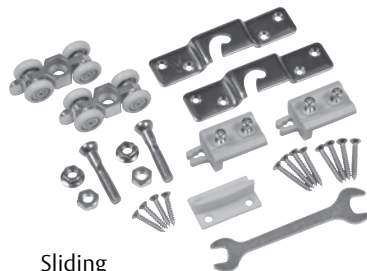


FB150SS

Hardware Kits



Folding
HF2/100 Pack



Sliding
H200PACK

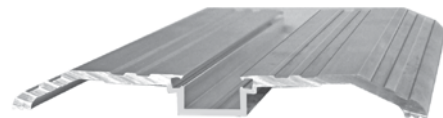
Bottom Channel



94A



2802BT



971A

Privacy Seals



PEMKOSFSET1



PEMKOSFSET2



PEMKOSFSET3



PEMKOSFSET4



PEMKOSFSET5

For more information, see page 202

ASSA ABLOY
Opening Solutions

Experience a safer
and more open world

800-824-3018 | www.assaabloydooraccessories.us
Check the web site for the up-to-date catalog

Copyright © 2015-2021, ASSA ABLOY Accessories and Door Controls Group, Inc., an ASSA ABLOY Group company. All rights reserved. Reproduction in whole or in part without the express written permission of ASSA ABLOY Accessories and Door Controls Group, Inc. is prohibited.

Soft Close for Pemko Box Track Systems

For Pemko H200, H180, SHS80, HBP200,
and Side Wall Track (SWT) systems

Minimum Door Width 28" When Using Dual or Single Devices.

For doors weighing 88-132 lbs.

ITEM #	Description
H180_/6-1411-1	H180_ 6' Single Device
H180_/8-1411-1	H180_ 8' Single Device
H180_/10-1411-1	H180_ 10' Single Device
H180_/12-1411-1	H180_ 12' Single Device
H180_/6-1411-2	H180_ 6' Dual Devices
H180_/8-1411-2	H180_ 8' Dual Devices
H180_/10-1411-2	H180_ 10' Dual Devices
H180_/12-1411-2	H180_ 12' Dual Devices
SHS80_/6-1411-1	SHS80_ 6' Single Device
SHS80_/8-1411-1	SHS80_ 8' Single Device
SHS80_/6-1411-2	SHS80_ 6' Dual Devices
SHS80_/8-1411-2	SHS80_ 8' Dual Devices
H200_/6-1411-1	H200_ 6' Single Device
H200_/8-1411-1	H200_ 8' Single Device
H200_/10-1411-1	H200_ 10' Single Device
H200_/12-1411-1	H200_ 12' Single Device
H200_/6-1411-2	H200_ 6' Dual Devices
H200_/8-1411-2	H200_ 8' Dual Devices
H200_/10-1411-2	H200_ 10' Dual Devices
H200_/12-1411-2	H200_ 12' Dual Devices
280_-SWTKIT/6-1411-1	280_-SWTKIT 6' Single Device
280_-SWTKIT/8-1411-1	280_-SWTKIT 8' Single Device
280_-SWTKIT/12-1411-1	280_-SWTKIT 12' One Device Per Door
280_-SWTKIT/6-1411-2	280_-SWTKIT 6' Dual Devices
280_-SWTKIT/8-1411-2	280_-SWTKIT 8' Dual Devices
280_-SWTKIT/12-1411-2	280_-SWTKIT 12' Two Devices Per Door
RF280_-SWTK/6-1411-1	RF280_-SWTK 6' Single Device
RF280_-SWTK/8-1411-1	RF280_-SWTK 8' Single Device
RF280_-SWTK/12-1411-1	RF280_-SWTK 12' One Device Per Door
RF280_-SWTK/6-1411-2	RF280_-SWTK 6' Dual Devices
RF280_-SWTK/8-1411-2	RF280_-SWTK 8' Dual Devices
RF280_-SWTK/12-1411-2	RF280_-SWTK 12' Two Devices Per Door
SF280_-SWTK/6-1411-1	SF280_-SWTK 6' Single Device
SF280_-SWTK/8-1411-1	SF280_-SWTK 8' Single Device
SF280_-SWTK/12-1411-1	SF280_-SWTK 12' One Device Per Door
SF280_-SWTK/6-1411-2	SF280_-SWTK 6' Dual Devices
SF280_-SWTK/8-1411-2	SF280_-SWTK 8' Dual Devices
SF280_-SWTK/12-1411-2	SF280_-SWTK 12' Two Devices Per Door
HBP200_/6-1411-1	HBP200_ 6' One Device Per Door
HBP200_/8-1411-1	HBP200_ 8' One Device Per Door
HBP200_/10-1411-1	HBP200_ 10' One Device Per Door
HBP200_/12-1411-1	HBP200_ 12' One Device Per Door
HBP200_/6-1411-2	HBP200_ 6' Two Devices Per Door
HBP200_/8-1411-2	HBP200_ 8' Two Devices Per Door
HBP200_/10-1411-2	HBP200_ 10' Two Devices Per Door
HBP200_/12-1411-2	HBP200_ 12' Two Devices Per Door

For doors weighing 133-176 lbs.

ITEM #	Description
H180_/6-1413-1	H180_ 6' Single Device
H180_/8-1413-1	H180_ 8' Single Device
H180_/10-1413-1	H180_ 10' Single Device
H180_/12-1413-1	H180_ 12' Single Device
H180_/6-1413-2	H180_ 6' Dual Devices
H180_/8-1413-2	H180_ 8' Dual Devices
H180_/10-1413-2	H180_ 10' Dual Devices
H180_/12-1413-2	H180_ 12' Dual Devices
SHS80_/6-1413-1	SHS80_ 6' Single Device
SHS80_/8-1413-1	SHS80_ 8' Single Device
SHS80_/6-1413-2	SHS80_ 6' Dual Devices
SHS80_/8-1413-2	SHS80_ 8' Dual Devices
H200_/6-1413-1	H200_ 6' Single Device
H200_/8-1413-1	H200_ 8' Single Device
H200_/10-1413-1	H200_ 10' Single Device
H200_/12-1413-1	H200_ 12' Single Device
H200_/6-1413-2	H200_ 6' Dual Devices
H200_/8-1413-2	H200_ 8' Dual Devices
H200_/10-1413-2	H200_ 10' Dual Devices
H200_/12-1413-2	H200_ 12' Dual Devices
280_-SWTKIT/6-1413-1	280_-SWTKIT 6' Single Device
280_-SWTKIT/8-1413-1	280_-SWTKIT 8' Single Device
280_-SWTKIT/12-1413-1	280_-SWTKIT 12' One Device per Door
280_-SWTKIT/6-1413-2	280_-SWTKIT 6' Dual Devices
280_-SWTKIT/8-1413-2	280_-SWTKIT 8' Dual Devices
280_-SWTKIT/12-1413-2	280_-SWTKIT 12' Two Devices per Door
RF280_-SWTK/6-1413-1	RF280_-SWTK 6' Single Device
RF280_-SWTK/8-1413-1	RF280_-SWTK 8' Single Device
RF280_-SWTK/12-1413-1	RF280_-SWTK 12' One Device per Door
RF280_-SWTK/6-1413-2	RF280_-SWTK 6' Dual Devices
RF280_-SWTK/8-1413-2	RF280_-SWTK 8' Dual Devices
RF280_-SWTK/12-1413-2	RF280_-SWTK 12' Two Devices per Door
SF280_-SWTK/6-1413-1	SF280_-SWTK 6' Single Device
SF280_-SWTK/8-1413-1	SF280_-SWTK 8' Single Device
SF280_-SWTK/12-1413-1	SF280_-SWTK 12' One Device per Door
SF280_-SWTK/6-1413-2	SF280_-SWTK 6' Dual Devices
SF280_-SWTK/8-1413-2	SF280_-SWTK 8' Dual Devices
SF280_-SWTK/12-1413-2	SF280_-SWTK 12' Two Devices per Door
HBP200_/6-1413-1	HBP200_ 6' One Device Per Door
HBP200_/8-1413-1	HBP200_ 8' One Device Per Door
HBP200_/10-1413-1	HBP200_ 10' One Device Per Door
HBP200_/12-1413-1	HBP200_ 12' One Device Per Door
HBP200_/6-1413-2	HBP200_ 6' Two Devices Per Door
HBP200_/8-1413-2	HBP200_ 8' Two Devices Per Door
HBP200_/10-1413-2	HBP200_ 10' Two Devices Per Door
HBP200_/12-1413-2	HBP200_ 12' Two Devices Per Door

800-824-3018 | www.assaabloydooraccessories.us

Check the web site for the up-to-date catalog

Copyright © 2015-2021, ASSA ABLOY Accessories and Door Controls Group, Inc., an ASSA ABLOY Group company. All rights reserved.
Reproduction in whole or in part without the express written permission of ASSA ABLOY Accessories and Door Controls Group, Inc. is prohibited.

ASSA ABLOY
Opening Solutions

Experience a safer
and more open world

Soft Close for Pemko Box Track Systems (Continued)

For Pemko H200, H180, SHS80, HBP200, and Side Wall Track (SWT) systems

Minimum Door Width 28" When Using Dual or Single Devices.

For doors weighing 177-200 lbs.	
ITEM #	Description
H180_/6-1418-1	H180_ 6' Single Device
H180_/8-1418-1	H180_ 8' Single Device
H180_/10-1418-1	H180_ 10' Single Device
H180_/12-1418-1	H180_ 12' Single Device
H180_/6-1418-2	H180_ 6' Dual Devices
H180_/8-1418-2	H180_ 8' Dual Devices
H180_/10-1418-2	H180_ 10' Dual Devices
H180_/12-1418-2	H180_ 12' Dual Devices
SHS80_/6-1418-1	SHS80_ 6' Single Device
SHS80_/8-1418-1	SHS80_ 8' Single Device
SHS80_/6-1418-2	SHS80_ 6' Dual Devices
SHS80_/8-1418-2	SHS80_ 8' Dual Devices
H200_/6-1418-1	H200_ 6' Single Device
H200_/8-1418-1	H200_ 8' Single Device
H200_/10-1418-1	H200_ 10' Single Device
H200_/12-1418-1	H200_ 12' Single Device
H200_/6-1418-2	H200_ 6' Dual Devices
H200_/8-1418-2	H200_ 8' Dual Devices
H200_/10-1418-2	H200_ 10' Dual Devices
H200_/12-1418-2	H200_ 12' Dual Devices
280_-SWTKIT/6-1418-1	280_-SWTKIT 6' Single Device
280_-SWTKIT/8-1418-1	280_-SWTKIT 8' Single Device
280_-SWTKIT/12-1418-1	280_-SWTKIT 12' One Device Per Door
280_-SWTKIT/6-1418-2	280_-SWTKIT 6' Dual Devices
280_-SWTKIT/8-1418-2	280_-SWTKIT 8' Dual Devices
280_-SWTKIT/12-1418-2	280_-SWTKIT 12' Two Devices Per Door
RF280_-SWTK/6-1418-1	RF280_-SWTK 6' Single Device
RF280_-SWTK/8-1418-1	RF280_-SWTK 8' Single Device
RF280_-SWTK/12-1418-1	RF280_-SWTK 12' One Device Per Door
RF280_-SWTK/6-1418-2	RF280_-SWTK 6' Dual Devices
RF280_-SWTK/8-1418-2	RF280_-SWTK 8' Dual Devices
RF280_-SWTK/12-1418-2	RF280_-SWTK 12' Two Devices Per Door
SF280_-SWTK/6-1418-1	SF280_-SWTK 6' Single Device
SF280_-SWTK/8-1418-1	SF280_-SWTK 8' Single Device
SF280_-SWTK/12-1418-1	SF280_-SWTK 12' One Device Per Door
SF280_-SWTK/6-1418-2	SF280_-SWTK 6' Dual Devices
SF280_-SWTK/8-1418-2	SF280_-SWTK 8' Dual Devices
SF280_-SWTK/12-1418-2	SF280_-SWTK 12' Two Devices Per Door
HBP200_/6-1418-1	HBP200_ 6' One Device Per Door
HBP200_/8-1418-1	HBP200_ 8' One Device Per Door
HBP200_/10-1418-1	HBP200_ 10' One Device Per Door
HBP200_/12-1418-1	HBP200_ 12' One Device Per Door
HBP200_/6-1418-2	HBP200_ 6' Two Devices Per Door
HBP200_/8-1418-2	HBP200_ 8' Two Devices Per Door
HBP200_/10-1418-2	HBP200_ 10' Two Devices Per Door
HBP200_/12-1418-2	HBP200_ 12' Two Devices Per Door

Soft Close for Pemko Flat Track Systems

For Pemko Designer Series Flat Track Sliding Door Hardware

Minimum Door Width Using Single Device 15".

22" Minimum Door Width When Using Dual Devices.

For doors weighing 88 - 132 lbs.	
ITEM #	Description
DSG-FT-03_/6-1411-1	DSG-FT-03_ 6' Single Soft Close Device
DSG-FT-03_/8-1411-1	DSG-FT-03_ 8' Single Soft Close Device
DSG-FT-03_/6-1411-2	DSG-FT-03_ 6' Dual Soft Close Device
DSG-FT-03_/8-1411-2	DSG-FT-03_ 8' Dual Soft Close Device
DSG-FT-04_/6-1411-1	DSG-FT-04_ 6' Single Soft Close Device
DSG-FT-04_/8-1411-1	DSG-FT-04_ 8' Single Soft Close Device
DSG-FT-04_/6-1411-2	DSG-FT-04_ 6' Dual Soft Close Devices
DSG-FT-04_/8-1411-2	DSG-FT-04_ 8' Dual Soft Close Devices
DSG-FT-05_/6-1411-1	DSG-FT-05_ 6' Single Soft Close Device
DSG-FT-05_/8-1411-1	DSG-FT-05_ 8' Single Soft Close Device
DSG-FT-05_/6-1411-2	DSG-FT-05_ 6' Dual Soft Close Devices
DSG-FT-05_/8-1411-2	DSG-FT-05_ 8' Dual Soft Close Devices
DSG-FT-06_/6-1411-1	DSG-FT-06_ 6' Single Soft Close Device
DSG-FT-06_/8-1411-1	DSG-FT-06_ 8' Single Soft Close Device
DSG-FT-06_/6-1411-2	DSG-FT-06_ 6' Dual Soft Close Devices
DSG-FT-06_/8-1411-2	DSG-FT-06_ 8' Dual Soft Close Devices
For doors weighing 133-176 lbs.	
ITEM #	Description
DSG-FT-03_/6-1413-1	DSG-FT-03_ 6' Single Soft Close Device
DSG-FT-03_/8-1413-1	DSG-FT-03_ 8' Single Soft Close Device
DSG-FT-03_/6-1413-2	DSG-FT-03_ 6' Dual Soft Close Device
DSG-FT-03_/8-1413-2	DSG-FT-03_ 8' Dual Soft Close Device
DSG-FT-04_/6-1413-1	DSG-FT-04_ 6' Single Soft Close Device
DSG-FT-04_/8-1413-1	DSG-FT-04_ 8' Single Soft Close Device
DSG-FT-04_/6-1413-2	DSG-FT-04_ 6' Dual Soft Close Devices
DSG-FT-04_/8-1413-2	DSG-FT-04_ 8' Dual Soft Close Devices
DSG-FT-05_/6-1413-1	DSG-FT-05_ 6' Single Soft Close Device
DSG-FT-05_/8-1413-1	DSG-FT-05_ 8' Single Soft Close Device
DSG-FT-05_/6-1413-2	DSG-FT-05_ 6' Dual Soft Close Devices
DSG-FT-05_/8-1413-2	DSG-FT-05_ 8' Dual Soft Close Devices
DSG-FT-06_/6-1413-1	DSG-FT-06_ 6' Single Soft Close Device
DSG-FT-06_/8-1413-1	DSG-FT-06_ 8' Single Soft Close Device
DSG-FT-06_/6-1413-2	DSG-FT-06_ 6' Dual Soft Close Devices
DSG-FT-06_/8-1413-2	DSG-FT-06_ 8' Dual Soft Close Devices
For doors weighing 177-240 lbs.	
ITEM #	Description
DSG-FT-03_/6-1418-1	DSG-FT-03_ 6' Single Soft Close Device
DSG-FT-03_/8-1418-1	DSG-FT-03_ 8' Single Soft Close Device
DSG-FT-03_/6-1418-2	DSG-FT-03_ 6' Dual Soft Close Device
DSG-FT-03_/8-1418-2	DSG-FT-03_ 8' Dual Soft Close Device
DSG-FT-04_/6-1418-1	DSG-FT-04_ 6' Single Soft Close Device
DSG-FT-04_/8-1418-1	DSG-FT-04_ 8' Single Soft Close Device
DSG-FT-04_/6-1418-2	DSG-FT-04_ 6' Dual Soft Close Devices
DSG-FT-04_/8-1418-2	DSG-FT-04_ 8' Dual Soft Close Devices
DSG-FT-05_/6-1418-1	DSG-FT-05_ 6' Single Soft Close Device
DSG-FT-05_/8-1418-1	DSG-FT-05_ 8' Single Soft Close Device
DSG-FT-05_/6-1418-2	DSG-FT-05_ 6' Dual Soft Close Devices
DSG-FT-05_/8-1418-2	DSG-FT-05_ 8' Dual Soft Close Devices
DSG-FT-06_/6-1418-1	DSG-FT-06_ 6' Single Soft Close Device
DSG-FT-06_/8-1418-1	DSG-FT-06_ 8' Single Soft Close Device
DSG-FT-06_/6-1418-2	DSG-FT-06_ 6' Dual Soft Close Devices
DSG-FT-06_/8-1418-2	DSG-FT-06_ 8' Dual Soft Close Devices

ASSA ABLOY
Opening Solutions

Experience a safer
and more open world

800-824-3018 | www.assaabloydooraccessories.us

Check the web site for the up-to-date catalog

Copyright © 2015-2021, ASSA ABLOY Accessories and Door Controls Group, Inc., an ASSA ABLOY Group company. All rights reserved. Reproduction in whole or in part without the express written permission of ASSA ABLOY Accessories and Door Controls Group, Inc. is prohibited.

Soft Close for Pemko Flat Track Systems

For Pemko Builders Series Flat Track Sliding Door Hardware

Minimum Door Width Using Single Device 15".

22" Minimum Door Width When Using Dual Devices.

For doors weighing 88 - 132 lbs.

ITEM #	Description
BLD-FT-01_/6-1411-1	BLD-FT-01_ 6' Single Device
BLD-FT-01_/8-1411-1	BLD-FT-01_ 8' Single Device
BLD-FT-01_/6-1411-2	BLD-FT-01_ 6' Dual Devices
BLD-FT-01_/8-1411-2	BLD-FT-01_ 8' Dual Devices
BLD-FT-02_/6-1411-1	BLD-FT-02_ 6' Single Device
BLD-FT-02_/8-1411-1	BLD-FT-02_ 8' Single Device
BLD-FT-02_/6-1411-2	BLD-FT-02_ 6' Dual Devices
BLD-FT-02_/8-1411-2	BLD-FT-02_ 8' Dual Devices

For doors weighing 133-176 lbs.

ITEM #	Description
BLD-FT-01_/6-1413-1	BLD-FT-01_ 6' Single Device
BLD-FT-01_/8-1413-1	BLD-FT-01_ 8' Single Device
BLD-FT-01_/6-1413-2	BLD-FT-01_ 6' Dual Devices
BLD-FT-01_/8-1413-2	BLD-FT-01_ 8' Dual Devices
BLD-FT-02_/6-1413-1	BLD-FT-02_ 6' Single Device
BLD-FT-02_/8-1413-1	BLD-FT-02_ 8' Single Device
BLD-FT-02_/6-1413-2	BLD-FT-02_ 6' Dual Devices
BLD-FT-02_/8-1413-2	BLD-FT-02_ 8' Dual Devices

For doors weighing 177-240 lbs.

ITEM #	Description
BLD-FT-01_/6-1418-1	BLD-FT-01_ 6' Single Device
BLD-FT-01_/8-1418-1	BLD-FT-01_ 8' Single Device
BLD-FT-01_/6-1418-2	BLD-FT-01_ 6' Dual Devices
BLD-FT-01_/8-1418-2	BLD-FT-01_ 8' Dual Devices
BLD-FT-02_/6-1418-1	BLD-FT-02_ 6' Single Device
BLD-FT-02_/8-1418-1	BLD-FT-02_ 8' Single Device
BLD-FT-02_/6-1418-2	BLD-FT-02_ 6' Dual Devices
BLD-FT-02_/8-1418-2	BLD-FT-02_ 8' Dual Devices

Soft Close Retrofit Kits

For Designer Series Systems

ITEM #	Description
DSG1411-1_	Single Device 88-132 lbs.
DSG1411-2_	Dual Devices 88-132 lbs.
DSG1413-1_	Single Device 133-176 lbs.
DSG1413-2_	Dual Devices 133-176 lbs.
DSG1418-1_	Single Device 177-240 lbs.
DSG1418-2_	Dual Devices 177-240 lbs.

Finishes: add IS for Industrial Steel finish
add BSP for Black Suede finish
add WB for Wrought Black finish
add SS for Stainless Steel finish
add BZ for 10BE Satin Bronze finish

For Builders Series Systems

ITEM #	Description
BLD1411-1_	Single Device 88-132 lbs.
BLD1411-2_	Dual Devices 88-132 lbs.
BLD1413-1_	Single Device 133-176 lbs.
BLD1413-2_	Dual Devices 133-176 lbs.
BLD1418-1_	Single Device 177-240 lbs.
BLD1418-2_	Dual Devices 177-240 lbs.

Finishes: add C for IS finish
add D for BSP finish

For Box Track Systems

ITEM #	Description
SC1411-1	Single Device 88-132 lbs.
SC1411-2	Dual Devices 88-132 lbs.
SC1413-1	Single Device 133-176 lbs.
SC1413-2	Dual Devices 133-176 lbs.
SC1418-1	Single Device 177-240 lbs.
SC1418-2	Dual Devices 177-240 lbs.

Soft Close Pocket Frame Kit

PF134KIT must be ordered.

Wood 2x4 Stud Constructed Walls	Wood 2x6 Stud Constructed Walls	Metal 2x6 Stud Constructed Walls	Net Door Size	Options
SC-PF28200A7280	SC-PF28200A7280-2x6	SC-PF28200A7280-SP6	3'0" x 6'8"	PFAS84, PFCDKIT for Bi-Parting door openings
SC-PF28200A9680	SC-PF28200A9680-2x6	SC-PF28200A9680-SP6	4'0" x 6'8"	PFAS84, PFCDKIT for Bi-Parting door openings
SC-PF28200A7284	SC-PF28200A7284-2x6	SC-PF28200A7284-SP6	3'0" x 7'0"	PFAS88, PFCDKIT for Bi-Parting door openings
SC-PF28200A9684	SC-PF28200A9684-2x6	SC-PF28200A9684-SP6	4'0" x 7'0"	PFAS88, PFCDKIT for Bi-Parting door openings
SC-PF28200A7296	SC-PF28200A7296-2x6	SC-PF28200A7296-SP6	3'0" x 8'0"	PFAS100, PFCDKIT for Bi-Parting door openings
SC-PF28200A9696	SC-PF28200A9696-2x6	SC-PF28200A9696-SP6	4'0" x 8'0"	PFAS100, PFCDKIT for Bi-Parting door openings

These above are the ones you must order PF134KIT for

800-824-3018 | www.assaabloydooraccessories.us

Check the web site for the up-to-date catalog

Copyright © 2015-2021, ASSA ABLOY Accessories and Door Controls Group, Inc., an ASSA ABLOY Group company. All rights reserved.
Reproduction in whole or in part without the express written permission of ASSA ABLOY Accessories and Door Controls Group, Inc. is prohibited.

ASSA ABLOY
Opening Solutions

Experience a safer
and more open world

ASSA ABLOY
Opening Solutions

Experience a safer
and more open world

800-824-3018 | www.assaabloydooraccessories.us
Check the web site for the up-to-date catalog

Copyright © 2015-2021, ASSA ABLOY Accessories and Door Controls Group, Inc., an ASSA ABLOY Group company. All rights reserved.
Reproduction in whole or in part without the express written permission of ASSA ABLOY Accessories and Door Controls Group, Inc. is prohibited.

RESIDENTIAL THRESHOLDS

CONTENTS:

Interlocking Thresholds and Caps	280
Interlocking Thresholds - Water Return	281
Interlocking Hooks	281
Residential Thresholds - Water Return	282
Adjustable Eco-V™ Top Thresholds	282
Eco-V™ Top Thresholds	283
Residential Saddles	283
Bumper Thresholds for Outswing Doors	284
Squareback Thresholds	285
Oak Thresholds	285
Sill Nosings	286
Adjustable Aluminum Top Sills	287
Adjustable Oak Top Sills	288
Outswing Adjustable Oak Top Sills	289
Residential All-Aluminum Adjustable Sills	289
Fixed Eco-V™ Top Residential Sills	290
Residential All-Aluminum Fixed Sills	290
Outswing Fixed Bumper Sills	291
Extenders For All Residential Sills	291
Bumper Thresho-Sills For Outswing Doors	292
Thresho-Sills	293
Fabrication Options For Thresho-Sills	294



INDEX:

PRODUCT	PAGE	PRODUCT	PAGE	PRODUCT	PAGE
61	281	207	283	2500W	285
66	281	208	283	2813	282
101	280	212	283	3261	286
107	280	213	282	74518	289
108	280	214	283	75518	289
110	280	218	283	8451	291
114	280	218OAK	285	8452	291
120	280	219	283	N84518	290
136	281	219OAK	285	N85518	290
140_M	293	231	283	84514	290
142	281	233	283	85514	290
145	281	249	282	94518	287
146	281	250	282	95518	287
149	284	324	286	93518_W	288
153	292	326	286	94518_W	288
160_M	293	327	286	95518_W	288
161_M	293	2051	284	EXT3/4	291
167	293	2052	285	EXT2	291
205	284	2053	285	EXT3	291
206	283	2054	285	OS95518	289

800-824-3018 | www.assaabloydooraccessories.us
Check the web site for the up-to-date catalog

Copyright © 2015-2021, ASSA ABLOY Accessories and Door Controls Group, Inc., an ASSA ABLOY Group company. All rights reserved.
Reproduction in whole or in part without the express written permission of ASSA ABLOY Accessories and Door Controls Group, Inc. is prohibited.

ASSA ABLOY
Opening Solutions

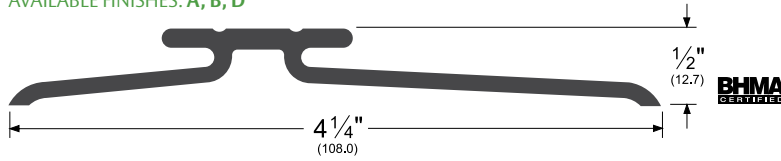
Experience a safer
and more open world

Interlocking Thresholds

- All interlocking thresholds (including water return types) and caps are furnished with #61 hooks and nails
- For alternate hooks, see following page

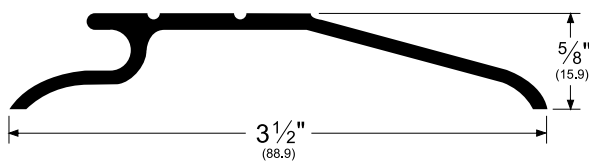
114_

AVAILABLE FINISHES: A, B, D



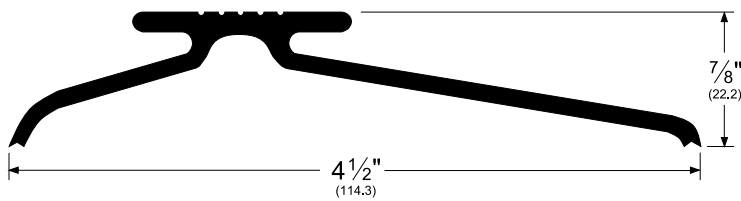
110_

AVAILABLE FINISHES: A, B, D



120_

AVAILABLE FINISHES: B



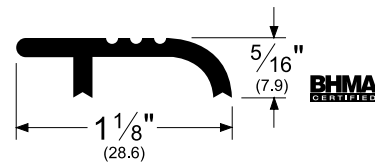
Threshold Caps

- Typically mounted on an existing saddle-type threshold to create an interlock with a J-hook or L-hook

101_

AVAILABLE FINISHES: A, B, D

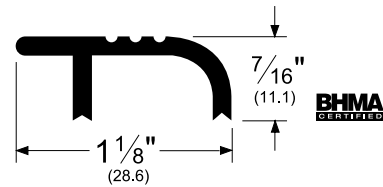
ANSI: J34170



107_

AVAILABLE FINISHES: A, D

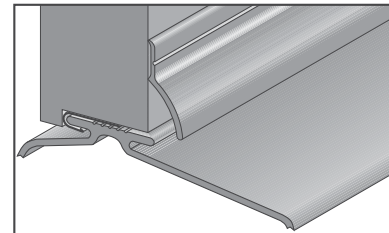
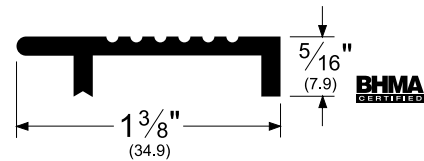
ANSI: J34170



108_

AVAILABLE FINISH: B

ANSI: J14170



NOTE: Products shown in this section may not be drawn to scale.

AVAILABLE FINISHES FOR PRODUCTS SHOWN ON THIS PAGE (see General Information section for finish chart)
 A (Mill Finish Aluminum) B (Mill Finish Extruded Bronze [Brass]) D (Dark Bronze Anodized)

ASSA ABLOY
Opening Solutions

Experience a safer
and more open world

800-824-3018 | www.assaabloydooraccessories.us

Check the web site for the up-to-date catalog

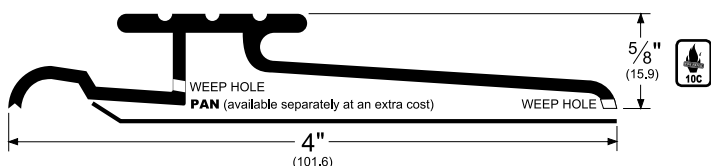
Copyright © 2015-2021, ASSA ABLOY Accessories and Door Controls Group, Inc., an ASSA ABLOY company. All rights reserved. Reproduction in whole or in part without the express written permission of ASSA ABLOY Accessories and Door Controls Group, Inc. is prohibited.

Interlocking Thresholds - Water Return

- Water return thresholds are designed to catch water which may blow or run under the door and return it to the outside through interior weep holes, down the sloped drain pan, and out exterior weep holes
- Product number for the aluminum water return pan is **PAN**
- Products are furnished with #61 hooks and nails

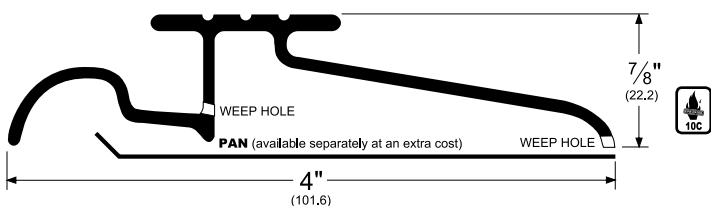
142_

AVAILABLE FINISHES: **A, D**



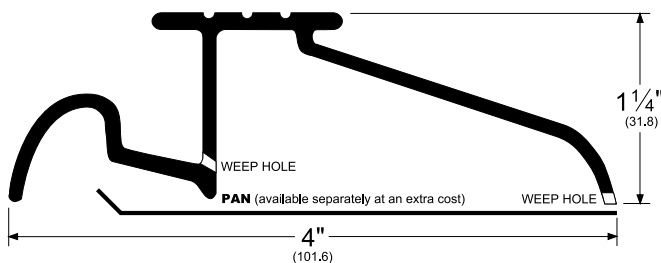
145_

AVAILABLE FINISHES: **A, B, D**



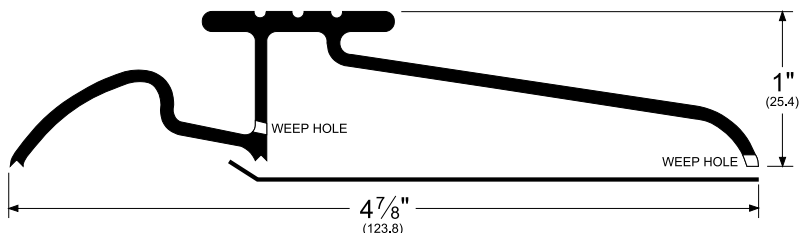
146_

AVAILABLE FINISHES: **B**



136_

AVAILABLE FINISHES: **A, B, D**

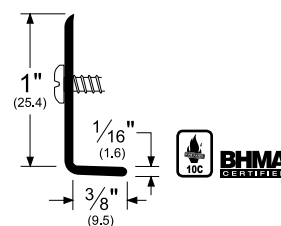


Hooks

- When installed properly on bottom of door, hooks interlock with threshold for a superior seal
- When substituting #66 hook for #61 hooks, price will be increased accordingly. Contact Pemko Customer Service

66_

AVAILABLE FINISHES: **A, B, D**



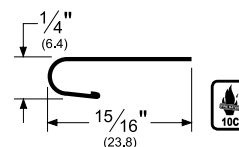
_61

AVAILABLE FINISHES: **B, Z**

.018 bronze

.015 steel

NOTE: B61 is roll form bronze metal



NOTE: Products shown in this section may not be drawn to scale.

AVAILABLE FINISHES FOR PRODUCTS SHOWN ON THIS PAGE (see General Information section for finish chart)

A (Mill Finish Aluminum) **B** (Mill Finish Extruded Bronze [Brass])

D (Dark Bronze Anodized) **G** (Gold Anodized)

For Hooks: **B** (Bronze) **Z** (Steel)

800-824-3018 | www.assaabloydooraccessories.us

Check the web site for the up-to-date catalog

Copyright © 2015-2021, ASSA ABLOY Accessories and Door Controls Group, Inc., an ASSA ABLOY Group company. All rights reserved. Reproduction in whole or in part without the express written permission of ASSA ABLOY Accessories and Door Controls Group, Inc. is prohibited.

ASSA ABLOY
Opening Solutions

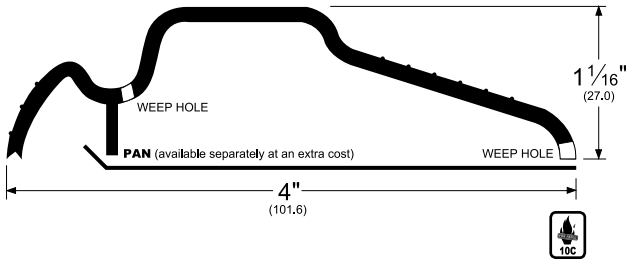
Experience a safer
and more open world

Residential Thresholds - Water Return

- Water return thresholds are designed to catch water which may blow or run under the door and return it to the outside through interior weep holes, down the sloped drain pan and out exterior weep holes
- Product number for aluminum water return pan is **PAN**
- Eco-V™ feet replacement insert (where applicable) is **EV12GR**

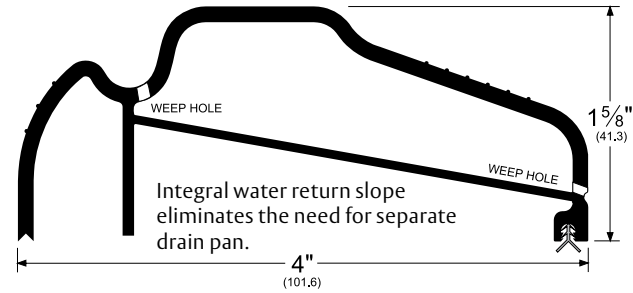
213_

AVAILABLE FINISHES: **A, D**



2813_

AVAILABLE FINISHES: **A, D, SN**

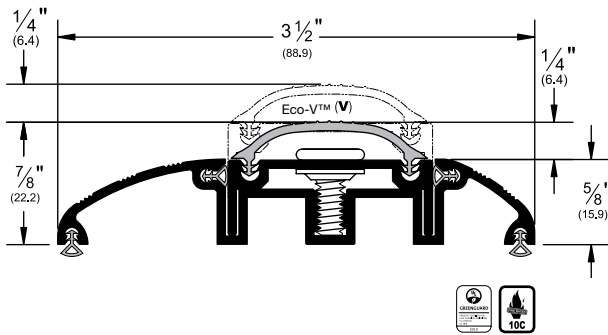


Adjustable Eco-V™ Top Thresholds

- Furnished with concealed, weather-sealed mounting screws and adjustment mechanism
- Eco-V™ seal adjusts to overcome swelling and/or shrinking of door and floor and eliminates need for shoe or sweep
- Furnished with Eco-V™ (V) insert. Gray replacement Eco-V™ is **PV64GR** (see Weatherization Products section)
- Eco-V™ replacement "foot" insert is **EV63GR**
- Pre-assembled for easy installation and adjustment

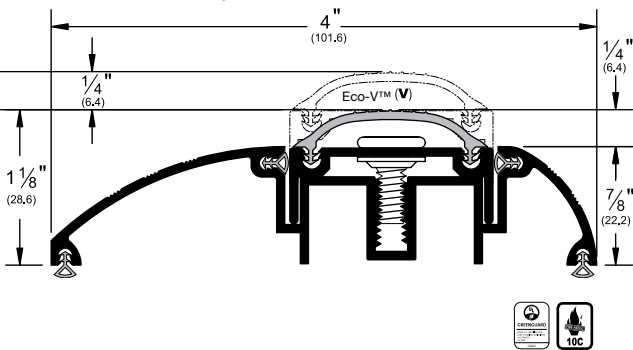
249_V

AVAILABLE FINISHES: **A, D**
AVAILABLE LENGTHS: **36", 72"**



250_V

AVAILABLE FINISHES: **A, D**
AVAILABLE LENGTHS: **36", 72"**



NOTE: Products shown in this section may not be drawn to scale.

AVAILABLE FINISHES FOR PRODUCTS SHOWN ON THIS PAGE (see General Information section for finish chart)
A (Mill Finish Aluminum) **D** (Dark Bronze Anodized) **SN** (Satin Nickel Anodized)

ASSA ABLOY
Opening Solutions

Experience a safer
and more open world

800-824-3018 | www.assaabloydooraccessories.us

Check the web site for the up-to-date catalog

Copyright © 2015-2021, ASSA ABLOY Accessories and Door Controls Group, Inc., an ASSA ABLOY Group company. All rights reserved. Reproduction in whole or in part without the express written permission of ASSA ABLOY Accessories and Door Controls Group, Inc. is prohibited.

Eco-V™ Top Thresholds

- Eco-V™ (V) top creates a seal at the bottom of the door, eliminating the need for door sweeps or door shoes

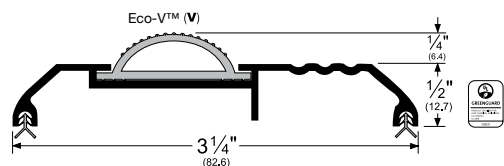
- Eco-V™ feet replacement insert is **EV12GR**

206_V

AVAILABLE FINISHES: **A, D**

Gray replacement Eco-V™ is **PV22GR36**

Black replacement Eco-V™ is **PV22BL36**

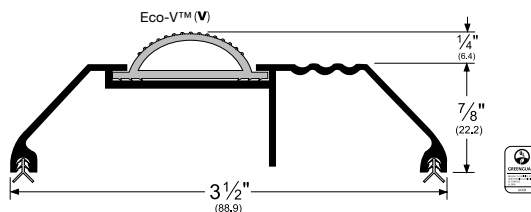


207_V

AVAILABLE FINISHES: **A, D**

Gray replacement Eco-V™ is **PV22GR36**

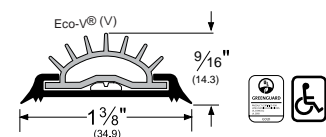
Black replacement Eco-V™ is **PV22BL36**



208_V

AVAILABLE FINISHES: **A, D**

Gray replacement Eco-V™ is **EV15BL** or **EV15GR**



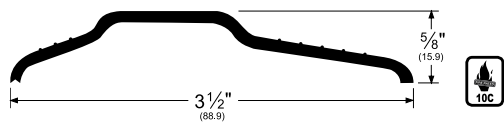
Residential Saddles

- Use a door bottom shoe or sweep with these thresholds to seal out the elements

- Made of sturdy extruded aluminum
- Replacement Eco-V™ feet (where applicable) is **EV12GR**

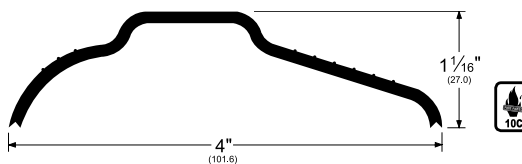
212_

AVAILABLE FINISHES: **A, D**



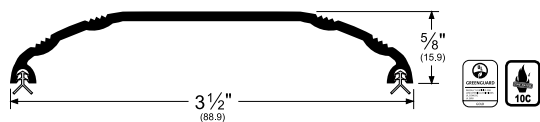
214_

AVAILABLE FINISHES: **A, D**



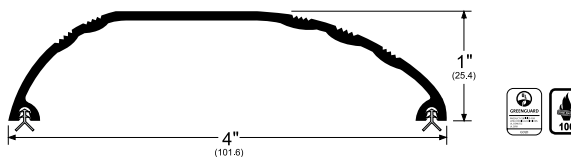
218_

AVAILABLE FINISHES: **A, D, SN**



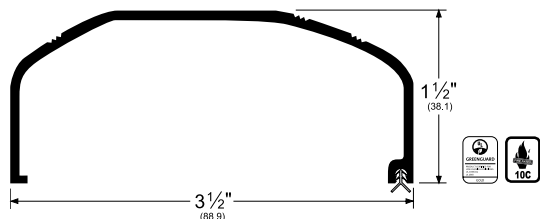
219_

AVAILABLE FINISHES: **A, D, SN**



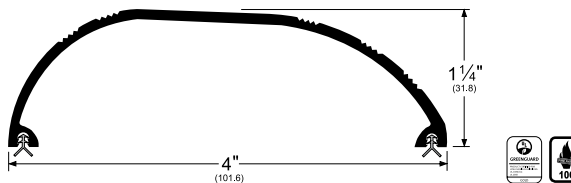
231_

AVAILABLE FINISHES: **A, D**



233_

AVAILABLE FINISHES: **A, D**



NOTE: Products shown in this section may not be drawn to scale.

AVAILABLE FINISHES FOR PRODUCTS SHOWN ON THIS PAGE (see General Information section for finish chart)
A (Mill Finish Aluminum) **D** (Dark Bronze Anodized) **SN** (Satin Nickel Anodized)

800-824-3018 | www.assaabloydooraccessories.us

Check the web site for the up-to-date catalog

Copyright © 2015-2021, ASSA ABLOY Accessories and Door Controls Group, Inc., an ASSA ABLOY Group company. All rights reserved.
 Reproduction in whole or in part without the express written permission of ASSA ABLOY Accessories and Door Controls Group, Inc. is prohibited.

ASSA ABLOY
 Opening Solutions

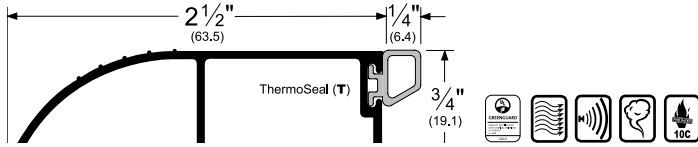
Experience a safer
 and more open world

Bumper Thresholds for Outswing Doors

- In the closed position, the door butts up to bumper seal on threshold creating a seal against the elements

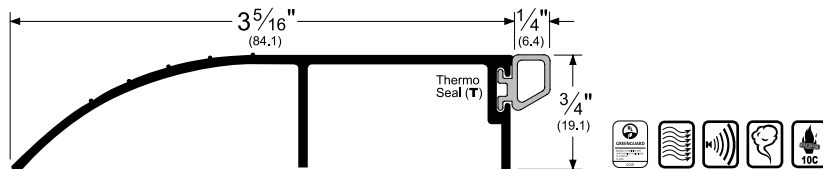
149_T

AVAILABLE FINISHES: **A, D**
REPLACEMENT INSERT: **T5 (BL)**



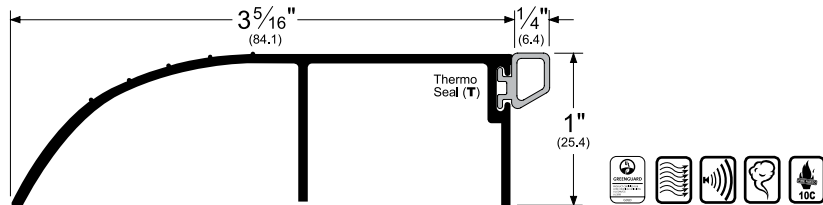
205_T

AVAILABLE FINISHES: **A, D**
REPLACEMENT INSERT: **T5 (BL)**



2051_T

AVAILABLE FINISHES: **A, D**
REPLACEMENT INSERT: **T5 (BL)**



Alternate Insert For 149

149_P

AVAILABLE FINISHES: **A, D**



REPLACEMENT INSERT: **P2 (BL, GR)**



149_V

AVAILABLE FINISHES: **A, D**



REPLACEMENT INSERT: **EV41 (BL, GR, W)**



Alternate Insert For 205

205_P

AVAILABLE FINISHES: **A, D**



REPLACEMENT INSERT: **P2 (BL, GR)**



205_V

AVAILABLE FINISHES: **A, D**



REPLACEMENT INSERT: **EV41 (BL, GR, W)**



Alternate Insert For 2051

2051_P

AVAILABLE FINISHES: **A, D**



REPLACEMENT INSERT: **P2 (BL, GR)**



2051_V

AVAILABLE FINISHES: **A, D**



REPLACEMENT INSERT: **EV41 (BL, GR, W)**



NOTE: Products shown in this section may not be drawn to scale.

AVAILABLE FINISHES FOR PRODUCTS SHOWN ON THIS PAGE (see General Information section for finish chart)
A (Mill Finish Aluminum) **D** (Dark Bronze Anodized)

ASSA ABLOY
Opening Solutions

Experience a safer
and more open world

800-824-3018 | www.assaabloydooraccessories.us

Check the web site for the up-to-date catalog

Copyright © 2015-2021, ASSA ABLOY Accessories and Door Controls Group, Inc., an ASSA ABLOY Group company. All rights reserved. Reproduction in whole or in part without the express written permission of ASSA ABLOY Accessories and Door Controls Group, Inc. is prohibited.

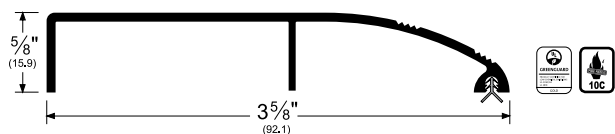
Squareback Thresholds

- Replacement Eco-V™ feet (where applicable) is **EV12GR**
- Interior support leg flushes with interior jamb in application, allowing flooring to squarely abut threshold
- Ideal for tall terra cotta, plush carpet or stone paver entry applications for smooth transition

- Gently sloping and ribbed exterior ramp eliminates trip hazard while providing maximum rain guard. (Be sure to caulk all support legs or lay in mastic for best seal)
- Center support leg provides for engineered threshold stability

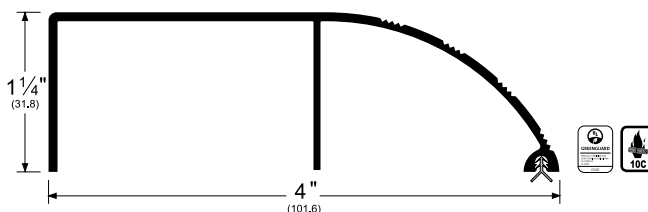
2052_

AVAILABLE FINISHES: **A, D**



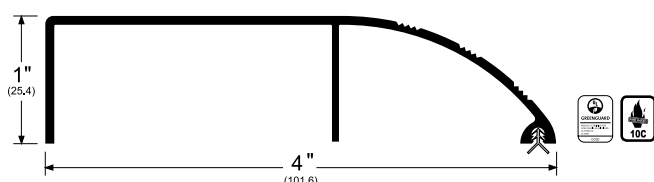
2054_

AVAILABLE FINISHES: **A, D**



2053_

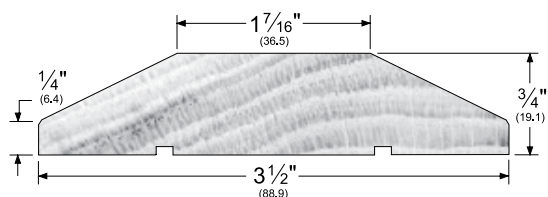
AVAILABLE FINISHES: **A, D**



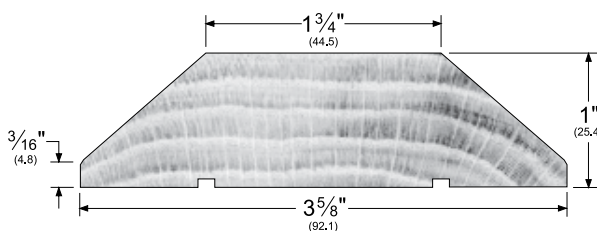
Oak Thresholds

- Natural unfinished oak provides beauty as well as thermal benefits
- Available in 36" or 72" lengths only

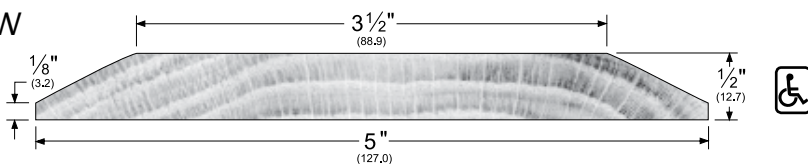
218OAK



219OAK



2500W



NOTE: Products shown in this section may not be drawn to scale.

AVAILABLE FINISHES FOR PRODUCTS SHOWN ON THIS PAGE (see General Information section for finish chart)
A (Mill Finish Aluminum) **D** (Dark Bronze Anodized) **OAK** (Natural Unfinished Oak) **W** (Solid Oak)

800-824-3018 | www.assaabloydooraccessories.us

Check the web site for the up-to-date catalog

Copyright © 2015-2021, ASSA ABLOY Accessories and Door Controls Group, Inc., an ASSA ABLOY Group company. All rights reserved. Reproduction in whole or in part without the express written permission of ASSA ABLOY Accessories and Door Controls Group, Inc. is prohibited.

ASSA ABLOY
Opening Solutions

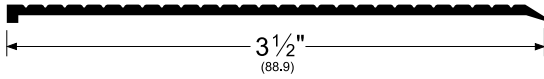
Experience a safer
and more open world

Sill Nosings

- Used to cover concrete or wood sill
- Provides an attractive finished look to new and old door openings, covering defects in existing sill
- Sill nosings are held in place with mastic and pressure from threshold placement

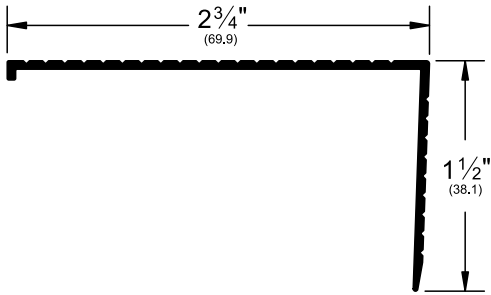
324_

AVAILABLE FINISHES: **A, B, D**



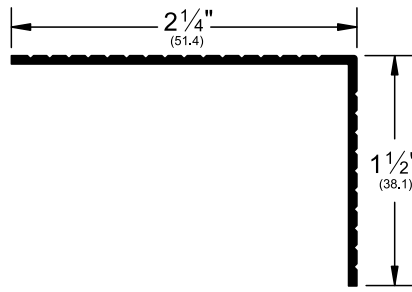
326_

AVAILABLE FINISHES:
A, B, D, SN



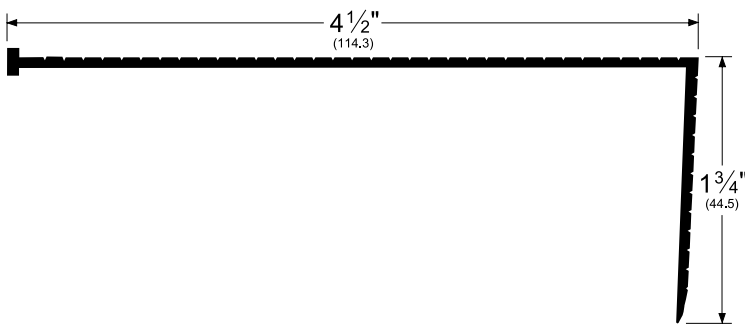
3261_

AVAILABLE FINISHES: **A, D, SN**



327_

AVAILABLE FINISHES: **A, D, PW, SN**



NOTE: Products shown in this section may not be drawn to scale.

AVAILABLE FINISHES FOR PRODUCTS SHOWN ON THIS PAGE (see General Information section for finish chart)
A (Mill Finish Aluminum) **B** (Mill Finish Extruded Bronze [Brass]) **D** (Dark Bronze Anodized)
PW (Painted White) **SN** (Satin Nickel Anodized)

ASSA ABLOY
Opening Solutions

Experience a safer
and more open world

800-824-3018 | www.assaabloydooraccessories.us
Check the web site for the up-to-date catalog

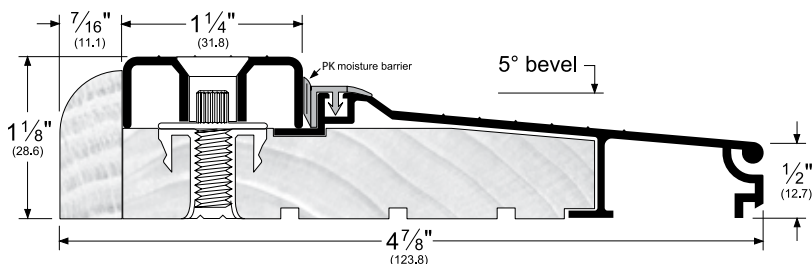
Residential Millwork Sills

- Sills for use with standard 4⁵/₈" jamb width with easy snap-on extension for jambs as wide as 8³/₄"
- For fabrication options for adjustable or fixed substrate sills, such as honing or sidelite mullion notching, contact Pemko Customer Service
- Residential Sills are designed specifically for the pre-hung door market. They are furnished un-drilled and without screws or nails
- Adjustable up to 1/4" to compensate for uneven door bottoms and sub-sill level changes. Two-part zinc plated steel stud shoulder screw joins a long-barreled, zinc plated steel T-nut for superior stability and long-lasting reliability
- PemkoPrene (PK) moisture barrier prevents water intrusion. Design of PemkoPrene (PK) bulb configuration keeps constant pressure between aluminum cap and aluminum extrusion at any level of adjustment (bulb shown compressed). Replacement insert is PK74BL
- Available in standard sizes 32.5", 36.5", and 73.75"

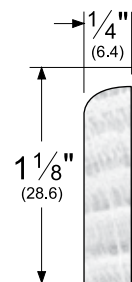
Adjustable Aluminum Top Sills

94518_

AVAILABLE FINISHES: **A, D**

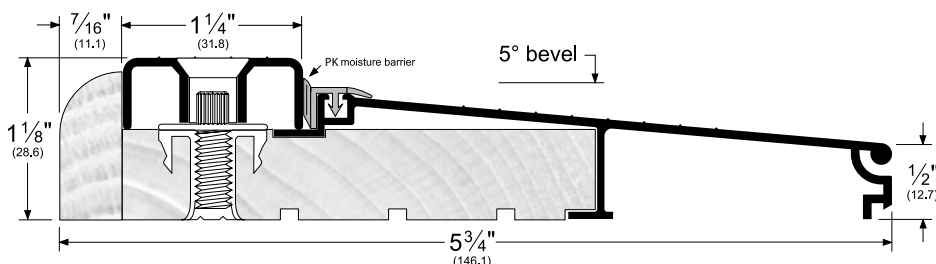


Add "NT" to the end of product number to order narrow trim (i.e. **94518A36.5NT**). Full width of sill changes from 4⁷/₈" to 4¹¹/₁₆".

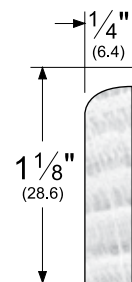


95518_

AVAILABLE FINISHES: **A, D**



Add "NT" to the end of product number to order narrow trim (i.e. **95518A36.5NT**). Full width of sill changes from 5³/₄" to 5⁹/₁₆".



NOTE: Products shown in this section may not be drawn to scale.

AVAILABLE FINISHES FOR PRODUCTS SHOWN ON THIS PAGE (see General Information section for finish chart)
A (Mill Finish Aluminum) **BDG** (Bright Dip Gold Anodized) **D** (Dark Bronze Anodized) **SN** (Satin Nickel Anodized)

800-824-3018 | www.assaabloydooraccessories.us
 Check the web site for the up-to-date catalog

Copyright © 2015-2021, ASSA ABLOY Accessories and Door Controls Group, Inc., an ASSA ABLOY Group company. All rights reserved.
 Reproduction in whole or in part without the express written permission of ASSA ABLOY Accessories and Door Controls Group, Inc. is prohibited.

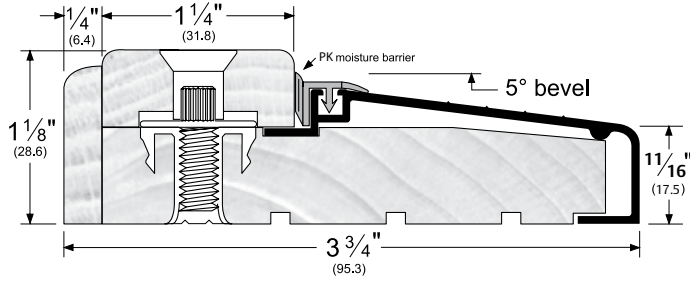
ASSA ABLOY
 Opening Solutions

Experience a safer
 and more open world

Adjustable Oak Top Sills

93518_W

AVAILABLE FINISHES: A, D



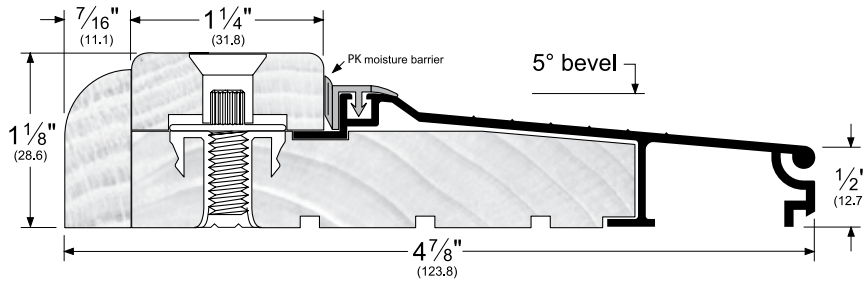
Available with optional Synthetic Wood Substrate

93518_W_SYN

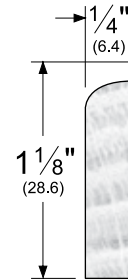
AVAILABLE FINISH: A, D

94518_W

AVAILABLE FINISHES: A, D

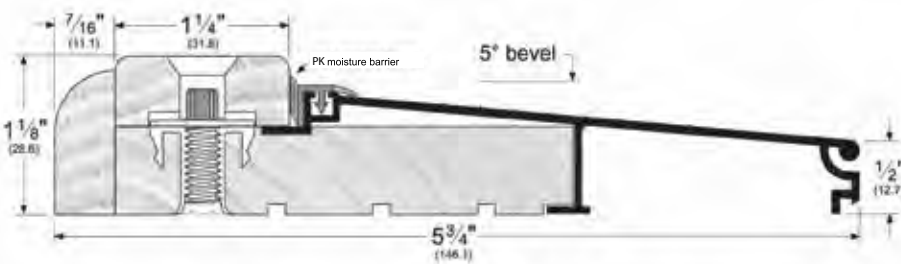


Add "NT" to the end of product number to order narrow trim (i.e. **94518AW36.5NT**). Full width of sill changes from 4 7/8" to 4 11/16".

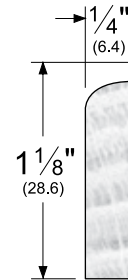


95518_W

AVAILABLE FINISHES: A, D



Add "NT" to the end of product number to order narrow trim (i.e. **95518AW36.5NT**). Full width of sill changes from 5 3/4" to 5 9/16".



NOTE: Products shown in this section may not be drawn to scale.

AVAILABLE FINISHES FOR PRODUCTS SHOWN ON THIS PAGE (see General Information section for finish chart)
A (Mill Finish Aluminum) **BDG** (Bright Dip Gold Anodized) **D** (Dark Bronze Anodized)
SN (Satin Nickel Anodized)

ASSA ABLOY
Opening Solutions

Experience a safer
and more open world

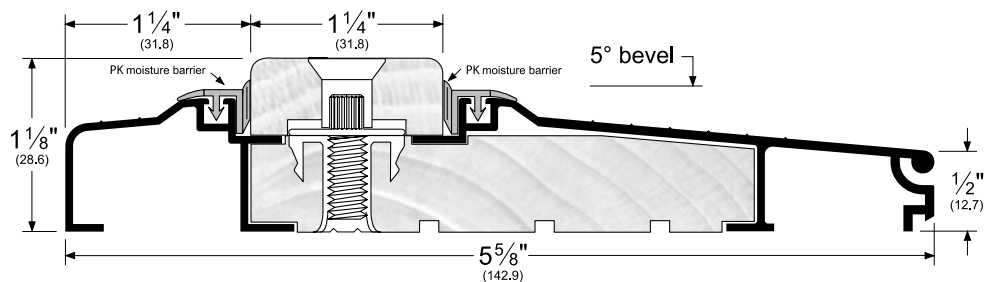
800-824-3018 | www.assaabloydooraccessories.us
Check the web site for the up-to-date catalog

Copyright © 2015-2021, ASSA ABLOY Accessories and Door Controls Group, Inc., an ASSA ABLOY Group company. All rights reserved. Reproduction in whole or in part without the express written permission of ASSA ABLOY Accessories and Door Controls Group, Inc. is prohibited.

Outswing Adjustable Oak Top Sills

OS95518_W

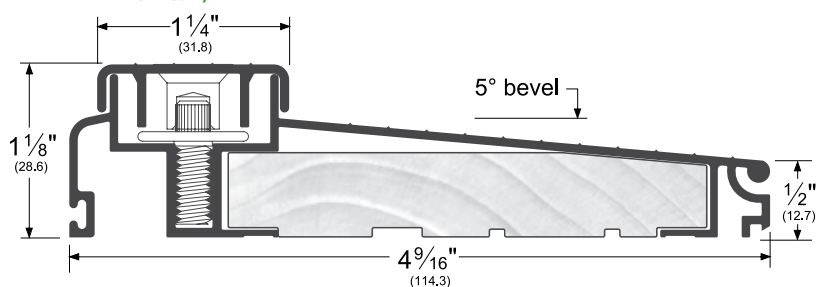
AVAILABLE FINISHES: **A, D**



Residential All-Aluminum Adjustable Sills

74518_

AVAILABLE FINISHES: **A, D**



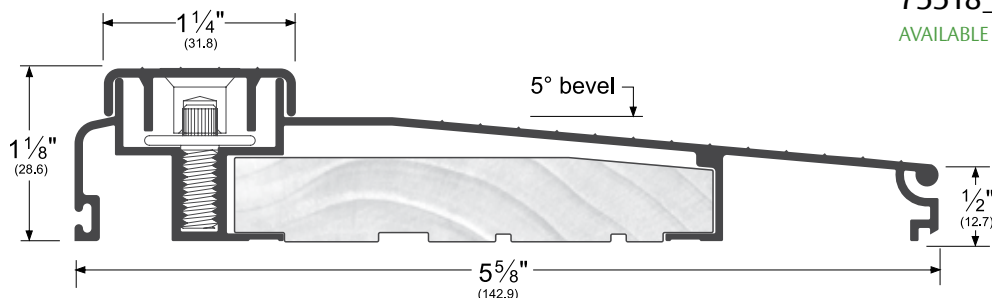
Available with optional Synthetic Wood Substrate

74518_SYN

AVAILABLE FINISHES: **A, D**

75518_

AVAILABLE FINISHES: **A, D**



Available with optional Synthetic Wood Substrate

75518_SYN

AVAILABLE FINISHES: **A, D**

NOTE: Products shown in this section may not be drawn to scale.

AVAILABLE FINISHES FOR PRODUCTS SHOWN ON THIS PAGE (see General Information section for finish chart)
A (Mill Finish Aluminum) **D** (Dark Bronze Anodized)

800-824-3018 | www.assaabloydooraccessories.us

Check the web site for the up-to-date catalog

Copyright © 2015-2021, ASSA ABLOY Accessories and Door Controls Group, Inc., an ASSA ABLOY Group company. All rights reserved.
 Reproduction in whole or in part without the express written permission of ASSA ABLOY Accessories and Door Controls Group, Inc. is prohibited.

ASSA ABLOY
 Opening Solutions

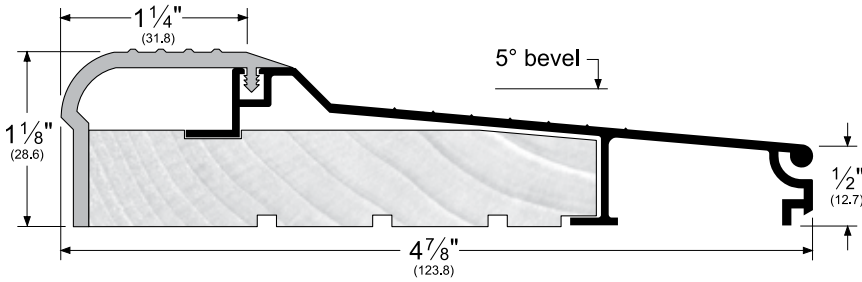
Experience a safer
 and more open world

Fixed Eco-V™ Top Residential Sills

- Fixed rigid Eco-V™ (V) cap includes ratchet lock feature which prevents moisture penetration and securely fastens Eco-V™ to aluminum extrusion

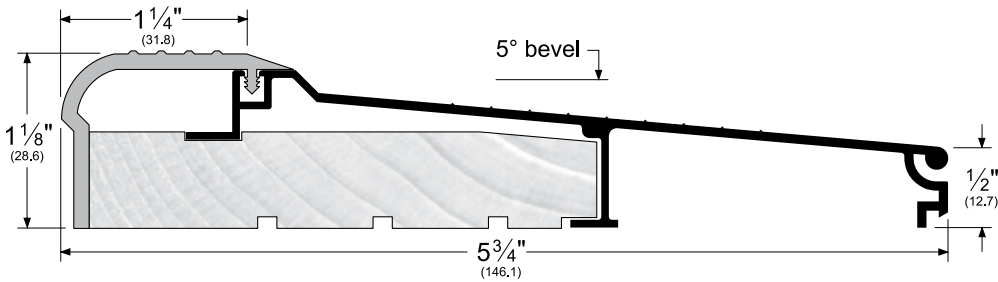
N84518_V

AVAILABLE FINISHES: A, D



N85518_V

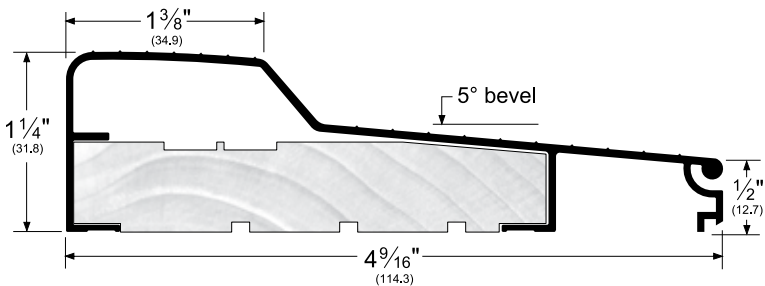
AVAILABLE FINISHES: A, D



Residential All-Aluminum Fixed Sills

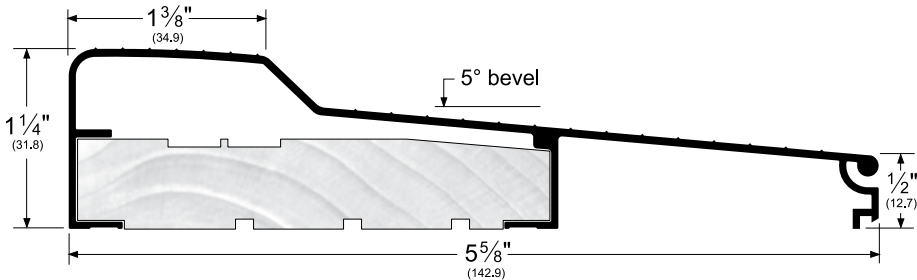
84514_

AVAILABLE FINISHES: A, D



85514_

AVAILABLE FINISHES: A, D



NOTE: Products shown in this section may not be drawn to scale.

AVAILABLE FINISHES FOR PRODUCTS SHOWN ON THIS PAGE (see General Information section for finish chart)
 A (Mill Finish Aluminum) D (Dark Bronze Anodized)

ASSA ABLOY
 Opening Solutions

Experience a safer
 and more open world

800-824-3018 | www.assaabloydooraccessories.us
 Check the web site for the up-to-date catalog

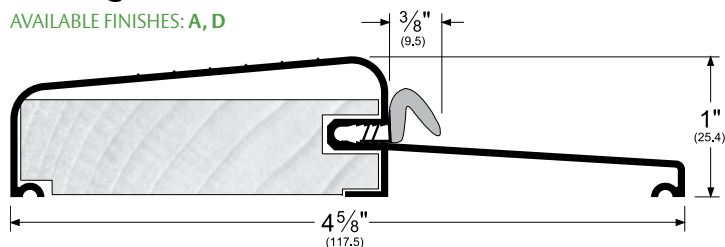
Copyright © 2015-2021, ASSA ABLOY Accessories and Door Controls Group, Inc., an ASSA ABLOY Group company. All rights reserved.
 Reproduction in whole or in part without the express written permission of ASSA ABLOY Accessories and Door Controls Group, Inc. is prohibited.

Outswing Fixed Bumper Sills

- High dam design restricts water intrusion
- Supplied with high quality Q103 (Q) kerf-in seal
- 8452_Q is extendable to interior

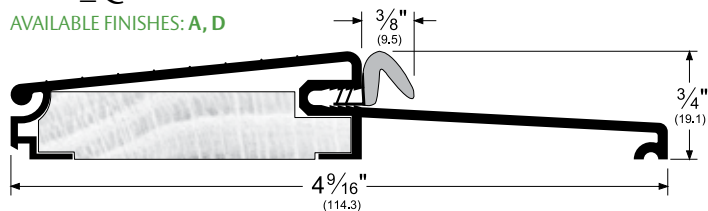
8451_Q

AVAILABLE FINISHES: A, D



8452_Q

AVAILABLE FINISHES: A, D

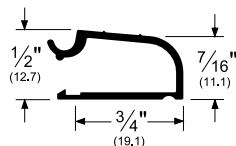


Extenders For All Residential Sills

- Extenders fit all 4 7/8" wide and 5 3/4" wide extrusions
- Extenders are available for jambs as wide as 8 3/4"
- Not for use with 8451_Q

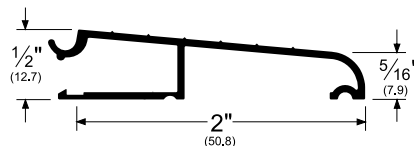
EXT3/4_

AVAILABLE FINISHES
A, D



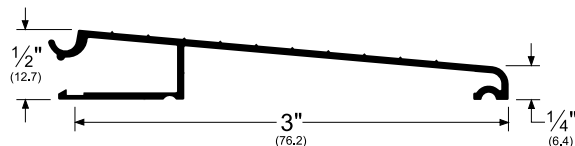
EXT2_

AVAILABLE FINISHES:
A, D



EXT3_

AVAILABLE FINISHES:
A, D



NOTE: Products shown in this section may not be drawn to scale.

AVAILABLE FINISHES FOR PRODUCTS SHOWN ON THIS PAGE (see General Information section for finish chart)
A (Mill Finish Aluminum) D (Dark Bronze Anodized)
For Kerf Gasket: BL (Black) W (White)

800-824-3018 | www.assaabloydooraccessories.us
Check the web site for the up-to-date catalog

Copyright © 2015-2021, ASSA ABLOY Accessories and Door Controls Group, Inc., an ASSA ABLOY Group company. All rights reserved.
Reproduction in whole or in part without the express written permission of ASSA ABLOY Accessories and Door Controls Group, Inc. is prohibited.

ASSA ABLOY
Opening Solutions

Experience a safer
and more open world

Bumper Thresho-Sills For Outswing Doors

- Please specify whether the part is to be used for a standard threshold or for a prehung application. For a standard threshold application, the part is supplied with 3 holes on center and 1/2" over net length (less than 48") or 1" over net length (48" and over). For a prehung application, the part is supplied according to fabrication options for thresho-sills - STYLE 4 only (see page 294).

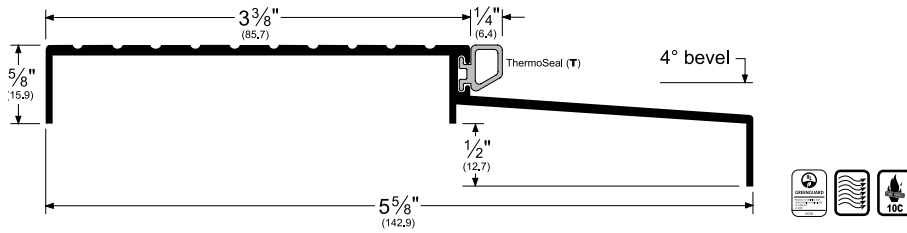
153_T

AVAILABLE FINISHES:

A, D

REPLACEMENT INSERT: **T5 (BL)**

Allow 3/8" door clearance.



Alternate Insert

153_V

AVAILABLE FINISHES:

A, D

REPLACEMENT INSERT:

EV41 (BL, GR, W)



NOTE: Products shown in this section may not be drawn to scale.

AVAILABLE FINISHES FOR PRODUCTS SHOWN ON THIS PAGE (see General Information section for finish chart)
A (Mill Finish Aluminum) **D** (Dark Bronze Anodized)

ASSA ABLOY
 Opening Solutions

Experience a safer
 and more open world

800-824-3018 | www.assaabloydooraccessories.us

Check the web site for the up-to-date catalog

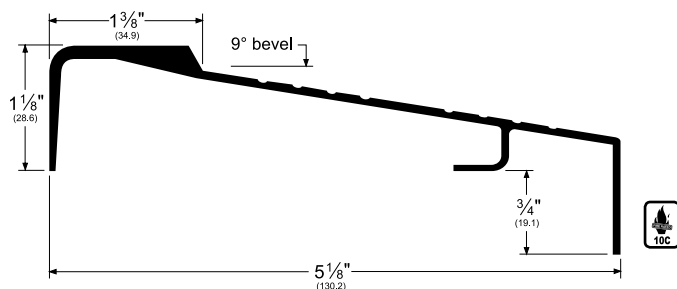
Copyright © 2015-2021, ASSA ABLOY Accessories and Door Controls Group, Inc., an ASSA ABLOY Group company. All rights reserved.
 Reproduction in whole or in part without the express written permission of ASSA ABLOY Accessories and Door Controls Group, Inc. is prohibited.

Thresho-Sills

- The following products are designed specifically for the prehung door market

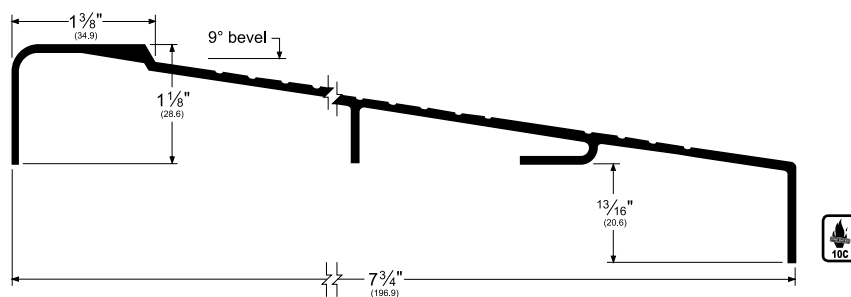
160_M

AVAILABLE FINISHES: A, D



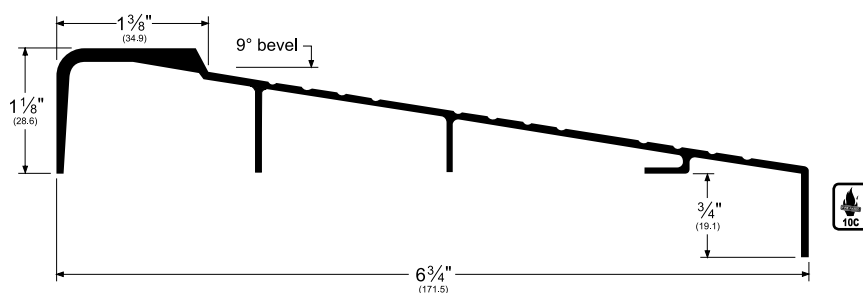
161_M

AVAILABLE FINISHES: A, D



140_M

AVAILABLE FINISHES: A, D

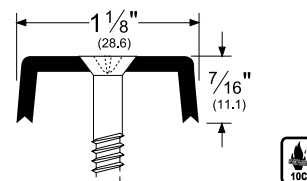


- See *updated* fabrication options for thresho-sills (see page 296) for complete information and drawings regarding milling, drilling, and notching

167_

AVAILABLE FINISHES: A, D

- Riser fastens to top of any thresho-sill
- Supplied with both wood and sheet metal screws
- Specify NET length when ordering
- Furnished undrilled unless drilling instructions are specified when ordering



NOTE: Products shown in this section may not be drawn to scale.

AVAILABLE FINISHES FOR PRODUCTS SHOWN ON THIS PAGE (see General Information section for finish chart)
 A (Mill Finish Aluminum) D (Dark Bronze Anodized)

800-824-3018 | www.assaabloydooraccessories.us
 Check the web site for the up-to-date catalog

Copyright © 2015-2021, ASSA ABLOY Accessories and Door Controls Group, Inc., an ASSA ABLOY Group company. All rights reserved.
 Reproduction in whole or in part without the express written permission of ASSA ABLOY Accessories and Door Controls Group, Inc. is prohibited.

ASSA ABLOY
 Opening Solutions

Experience a safer
 and more open world

Fabrication Options For Thresho-Sills

STYLE 3A (standard mill)

- Fabrication includes: $\frac{3}{4}$ " mill each end, 3 nail holes at each end, and one center screw
- Preparation: Cut jamb $\frac{3}{4}$ " at angle and height of threshold. Nail threshold to underside of jamb
- Ordering: Add 1 $\frac{1}{2}$ " to net opening dimension and designate Style 3A by adding "M" following product number and add "x3A" after length

(Example: A 160_M profile for a 36" net opening with a STYLE 3A fabrication = 160_MM37.5x3A)

STYLE 3B (modification of STYLE 3A)

- Fabrication includes: $\frac{3}{8}$ " mill each end, 3 nail holes at each end, and one center screw
- Preparation: Cut jamb $\frac{3}{8}$ " at angle and height of threshold. Nail threshold to underside of jamb
- Ordering: Add $\frac{3}{4}$ " to net opening dimension and designate STYLE 3B by adding "M" following product number and add "x3B" after length

(Example: A 160_M profile for a 36" net opening with a STYLE 3B fabrication = 160_MM36.75x3B)

STYLE 3C (modification of STYLE 3A)

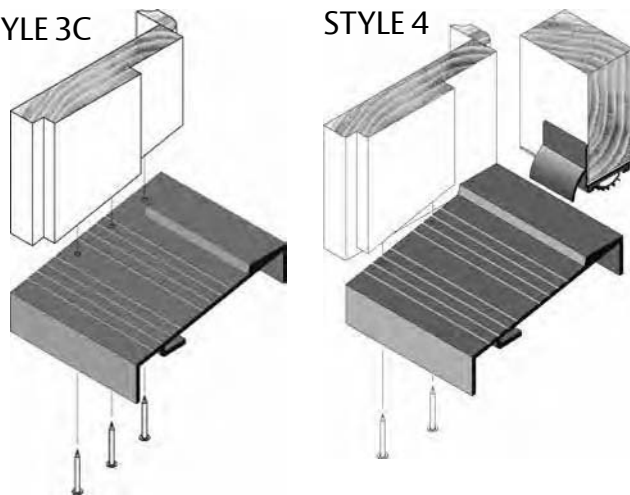
- Fabrication includes: $\frac{1}{2}$ " mill each end, 3 nail holes at each end, and one center screw
- Preparation: Cut jamb $\frac{1}{2}$ " at angle and height of threshold. Nail threshold to underside of jamb
- Ordering: Add 1" to net opening dimension and designate STYLE 3C by adding "M" following product number and add "x3C" after length

(Example: A 160_M profile for a 36" net opening with a STYLE 3C fabrication = 160_MM37x3C)

STYLE 3A

STYLE 3B

STYLE 3C



STYLE 4

- Fabrication includes: 2 nail holes at each end and one center screw
- Preparation: Rabbet stop to angle and height of threshold. Nail threshold to underside of stop
- Ordering: Order net opening dimension and designate STYLE 4 by adding "H" following the product number

(Example: A 160_M profile for a 36" net opening with a STYLE 4 fabrication = 160_MH36)

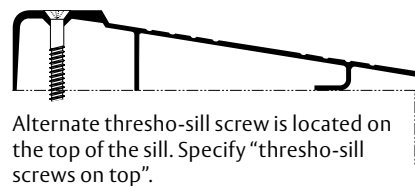
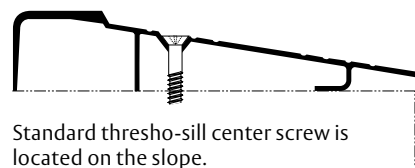
L-NOTCH

- Accommodates trim molding by notching corner of product
- Fabrication: Customer must supply diagram indicating location and dimensions of L-NOTCH (see drawing)
- Pemko Customer Service can provide form to fill in location and dimensions
- Ordering: Specify "L-NOTCH". After fabrication, orders are non-cancellable and non-returnable

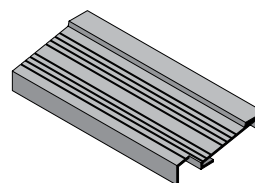
U-NOTCH

- For use with pre-installed door frames, to "drop-in" around door frame stops
- Fabrication: Customers must supply diagram indicating location and dimensions of U-NOTCH cut-out
- Pemko Customer Service can provide form to fill in location and dimensions
- Ordering: Specify "U-NOTCH". After fabrication, orders are non-cancellable and non-returnable

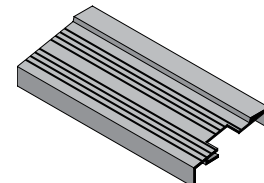
Screw Location



L-NOTCH



U-NOTCH



ASSA ABLOY
Opening Solutions

Experience a safer
and more open world

800-824-3018 | www.assaabloydooraccessories.us

Check the web site for the up-to-date catalog

Copyright © 2015-2021, ASSA ABLOY Accessories and Door Controls Group, Inc., an ASSA ABLOY company. All rights reserved. Reproduction in whole or in part without the express written permission of ASSA ABLOY Accessories and Door Controls Group, Inc. is prohibited.



FLOOR MOLDING, TRIM & HANDYSHAPES™

CONTENTS:

Carpet Bar and Seam Binding	296
Stair Nosing and Edging	296
Oak Seam Binding, Floor Edging, and Carpet Trim	297

INDEX:

PRODUCT	PAGE	PRODUCT	PAGE	PRODUCT	PAGE
2120	296	2134	296	2300W	297
2131	296	2175W	297	2350W	297
2132	296	2218	296	2500W	297
2132W	297	2219	296	2604	296
2133W	297	2219W	297	2604W	297

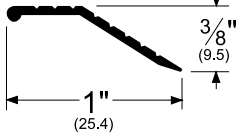
Carpet Bar - Standard

- Carpet Bars protect and provide a neat trim for the edge of carpet

2131_

AVAILABLE FINISHES: **A, G**
AVAILABLE LENGTHS: **36", 72"**

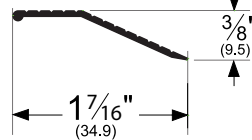
Provided with drive nails



2132_

AVAILABLE FINISHES: **A, G**
AVAILABLE LENGTHS: **36", 72"**

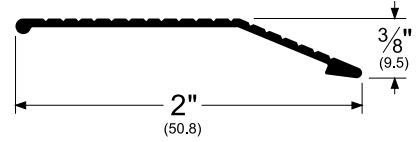
Provided with drive nails



2134_

AVAILABLE FINISHES: **A, G**
AVAILABLE LENGTHS: **36", 72"**

Provided with drive nails



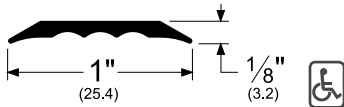
Seam Binding

- Covers seams and joins in linoleum, tile, carpet, and other floor coverings

2218_

AVAILABLE FINISHES: **A, G**
AVAILABLE LENGTHS: **36", 72"**

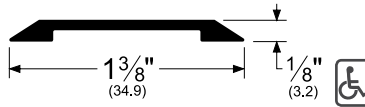
Provided with drive nails



2219_

AVAILABLE FINISHES: **A, G**
AVAILABLE LENGTHS: **36", 72"**

Provided with drive nails



Stair Nosing

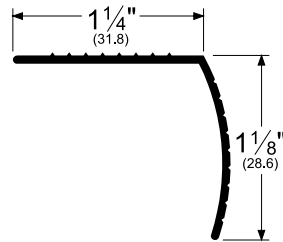
- Protects and improves the appearance of stair edges

2120_

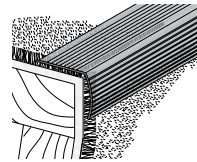
AVAILABLE FINISHES: **A, G**
AVAILABLE LENGTHS: **36", 72"**

Provided with drive nails

Ribbed top surface and fluted face



Typical Installation



2120_ shown installed

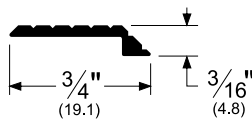
Edging

- Protects and provides neat trim for edge of linoleum, tile, and other floor coverings

2604_

AVAILABLE FINISHES: **A, G**
AVAILABLE LENGTHS: **36", 72"**

Provided with screw nails



Typical Installation



2604_ shown installed

AVAILABLE FINISHES FOR PRODUCTS SHOWN ON THIS PAGE (see General Information section for finish chart)
A (Mill Finish Aluminum) **G** (Gold Anodized)

ASSA ABLOY
Opening Solutions

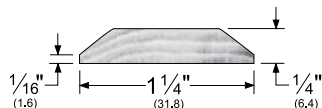
800-824-3018 | www.assaabloydooraccessories.us
Check the web site for the up-to-date catalog

Oak Seam Binding

- Oak Seam Binding covers seams between wood, tile, linoleum and other surfaces
- Oak is provided unfinished with countersunk holes and brass plated screws

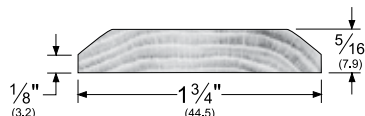
2219W

AVAILABLE LENGTHS: 36", 72"



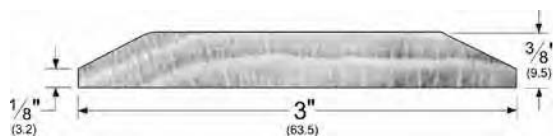
2175W

AVAILABLE LENGTHS: 36", 72"



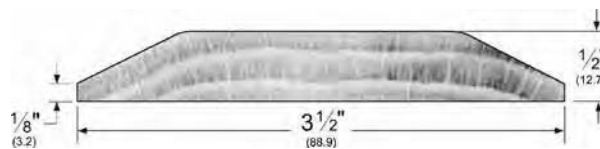
2300W

AVAILABLE LENGTHS: 36", 72"



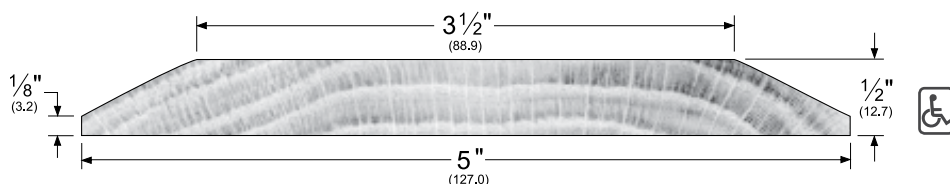
2350W

AVAILABLE LENGTH: 36"



2500W

AVAILABLE LENGTHS: 36", 72"

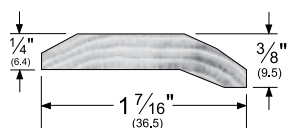


Oak Carpet Trim

- Oak Carpet Trim covers, protects and beautifies carpet edges
- Also covers seams between two surfaces of different height
- Oak is provided unfinished with countersunk holes and brass plated screws

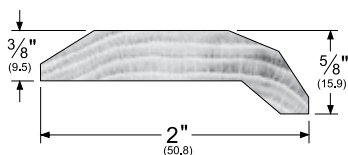
2132W

AVAILABLE FINISH: **W**
AVAILABLE LENGTHS: 36", 72"



2133W

AVAILABLE FINISH: **W**
AVAILABLE LENGTHS: 36", 72"

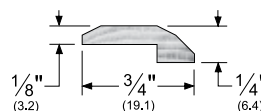


Oak Floor Edging

- Covers, protects, and provides a neat trim for edges of wood, tile, linoleum, and other surfaces
- Oak is provided unfinished with countersunk holes and brass plated screws

2604W

AVAILABLE FINISH: **W**
AVAILABLE LENGTHS: 36", 72"



AVAILABLE FINISHES FOR PRODUCTS SHOWN ON THIS PAGE (see General Information section for finish chart)
W (Solid Oak)

800-824-3018 | www.assaabloydooraccessories.us
Check the web site for the up-to-date catalog

Copyright © 2015-2021, ASSA ABLOY Accessories and Door Controls Group, Inc., an ASSA ABLOY Group company. All rights reserved.
Reproduction in whole or in part without the express written permission of ASSA ABLOY Accessories and Door Controls Group, Inc. is prohibited.

ASSA ABLOY
Opening Solutions

Experience a safer
and more open world

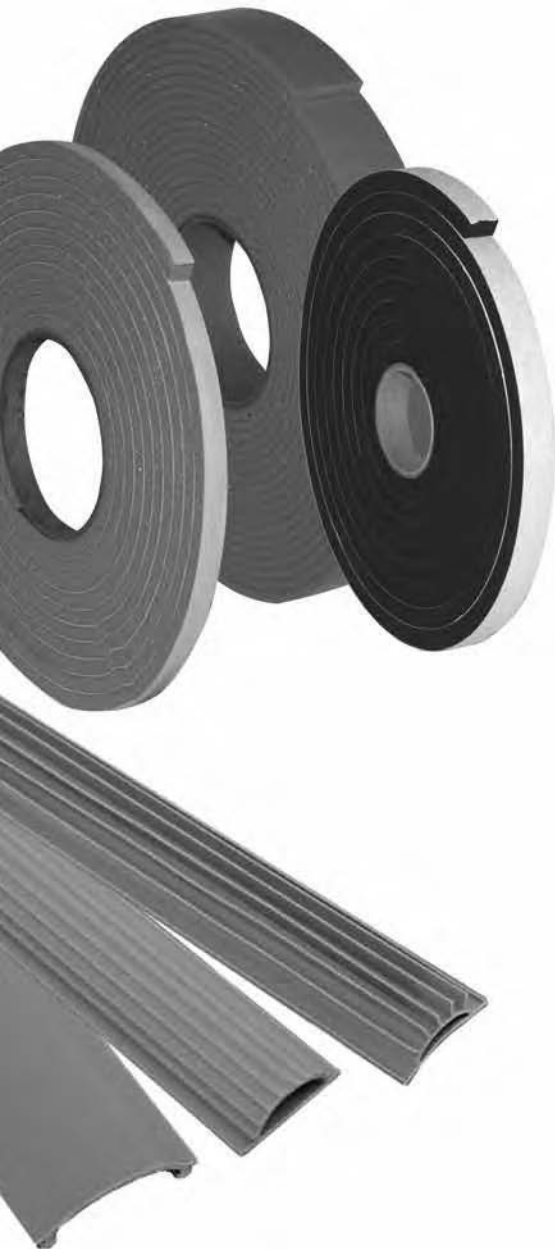
Pemko Weatherization Products

CONTENTS:

Foam Tape	300
Neoprene Tape	301
Miscellaneous Tape	301
Spring Bronze Weatherstrip	301
Garage Door Weatherstrip	302

INDEX:

PRODUCT	PAGE	PRODUCT	PAGE	PRODUCT	PAGE
P240	300	P361V16	302	P392	300
P241	300	P364R16	302	P393	300
P241-30	300	P365V16	302	P394	300
P242	300	P380	301	P396	300
P243	300	P381	301	P397	300
P244	300	P382	301	P398	300
P260	300	P384	301	P480	301
P261	300	P385	300	P484	301
P262	300	P386	300	P490	301
P263	300	P387	301	P491	301
P264	300	P388	301	P493	301
P265	300	P390	300	P497	301
P266	300	P391	300	P51B17	301



800-824-3018 | www.assaabloydooraccessories.us
Check the web site for the up-to-date catalog

Copyright © 2015-2021, ASSA ABLOY Accessories and Door Controls Group, Inc., an ASSA ABLOY Group company. All rights reserved.
Reproduction in whole or in part without the express written permission of ASSA ABLOY Accessories and Door Controls Group, Inc. is prohibited.

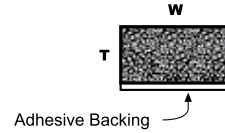
ASSA ABLOY
Opening Solutions

Experience a safer
and more open world

Open Cell Polyurethane Foam Tape

- Easily compressible self-adhesive weatherstrip

Product #	Color	Thickness (T)		Width (W)		Length
P390	Gray	3/16"	x	3/8"	x	17'
P391	White	1/4"	x	3/8"	x	17'
P392	Gray	3/8"	x	3/8"	x	17'
P393	Gray	1/2"	x	1/2"	x	17'
P394	Gray	1/2"	x	3/4"	x	17'
P396	Charcoal	1/4"	x	1/2"	x	17'
P397	White	1/8"	x	3/8"	x	17'
P398	Gray	1/4"	x	3/4"	x	17'



Suggested Installation

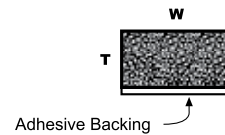


Open Cell Foam Tape installed on casement window.

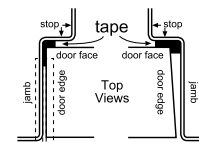
Closed Cell Soft PVC Foam Tape

- Flexible, conformable, and softly compressible self-adhesive weatherstrip
- Highly resilient: resists ultraviolet, oxygen and moisture degradation
- Seals against air and water, around doors and windows

Product #	Color	Thickness (T)		Width (W)		Length
P240	Gray	1/8"	x	1/4"	x	17'
P241	Gray	3/16"	x	3/8"	x	17'
P241-30	Gray	3/16"	x	3/8"	x	30'
P242	Gray	1/4"	x	3/8"	x	17'
P243	Gray	3/8"	x	3/8"	x	17'
P244	Gray	3/8"	x	3/4"	x	17'



Suggested Installation

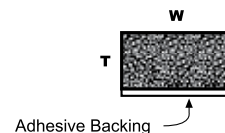


Top view of Closed Cell PVC Soft Foam Tape installed on door opening.

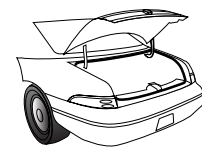
Closed Cell Firm PVC Foam Tape

- Moderately compressible self-adhesive weatherstrip

Product #	Color	Thickness (T)		Width (W)		Length
P260	Black	1/8"	x	1/4"	x	17'
P261	Black	3/16"	x	3/8"	x	17'
P262	Black	3/16"	x	3/4"	x	17'
P263	Black	5/16"	x	3/8"	x	10'
P264	Black	5/16"	x	3/4"	x	10'
P265	Black	7/16"	x	3/8"	x	10'
P266	Black	7/16"	x	3/4"	x	10'
P385	Gray	1/4"	x	1/2"	x	10'
P386	Gray	1/4"	x	3/4"	x	10'



Suggested Installation



Closed Cell Firm PVC Foam Tape installed as car trunk weatherstrip.

ASSA ABLOY
Opening Solutions

Experience a safer
and more open world

800-824-3018 | www.assaabloydooraccessories.us

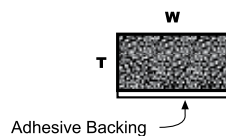
Check the web site for the up-to-date catalog

Copyright © 2015-2021, ASSA ABLOY Accessories and Door Controls Group, Inc., an ASSA ABLOY Group company. All rights reserved. Reproduction in whole or in part without the express written permission of ASSA ABLOY Accessories and Door Controls Group, Inc. is prohibited.

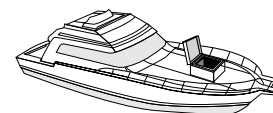
EPDM Sponge Neoprene Tape

- Slightly compressible self-adhesive weatherstrip
- Resists deterioration and remains flexible at sub-zero temperatures
- Superior product for weatherstripping doors, windows, hatchways, lids and covers

Product #	Color	Thickness (T)		Width (W)		Length
P490	Gray	1/8"	x	3/8"	x	10'
P491	Gray	1/4"	x	3/8"	x	10'
P493	Gray	1/4"	x	1/2"	x	10'
P497	Gray	1/4"	x	3/4"	x	10'



Suggested Installation

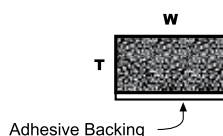


EPDM Sponge Neoprene Tape installed as boat hatch weatherstrip

Closed Cell Sponge Neoprene Tape

- Superior product for weatherstripping homes, cars, trucks and boats
- Resists deterioration from oily substances
- Remains flexible at high and low temperatures

Product #	Color	Thickness (T)		Width (W)		Length
P380	Black	3/16"	x	3/8"	x	10'
P381	Black	5/16"	x	3/8"	x	10'
P382	Black	5/16"	x	3/4"	x	10'
P384	Black	7/16"	x	3/4"	x	10'
P387	Black	3/16"	x	3/4"	x	10'
P388	Black	5/16"	x	1/2"	x	10'
P484	Black	7/16"	x	3/8"	x	10'



Suggested Installation

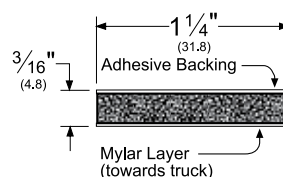


Closed Cell Sponge Neoprene Tape installed as car door weatherstrip.

Closed Cell Sponge Vinyl Camper Tape

- Mylar-backed tape cushions between camper and truck

Product #	Color	Thickness (T)		Width (W)		Length
P480	Gray	3/16"	x	1 1/4"	x	30'



Suggested Installation

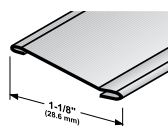


Sponge Vinyl Camper Tape installed as seal between camper and truck bed

Spring Bronze Weatherstrip

- For use on wood doors and wood casement windows
- .008" hemmed spring bronze (brass)
- Packaged with nails. Nails should be approximately 1 1/2" on center

Product #	Material	Width		Length
P51B17	Bronze	1 1/8"	x	17'

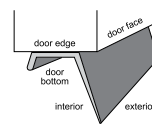


Garage Door Weatherstrip

- All garage door weatherstrips are furnished with roofing nails

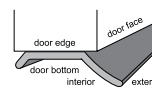
Product #	Color	Height		Width		Length
P361V16	Black	1 1/2"	x	1"	x	16'
P364R16	Black	3/4"	x	2 1/4"	x	16'
P365V16	Gray	1 3/4"	x	5/8"	x	16'

P361V16



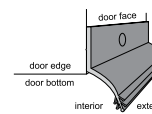
- Nails to door edge, bottom or jamb, closing gaps up to 1 1/2"

P364R16



- Nails to door bottom, closing gaps up to 5/8"

P365V16



- Nails to door edge, bottom or face, closing gaps up to 1 3/4"

Pemko Fire Glazing Tape

CONTENTS:

Fire Glazing Tape	304
Fire Glazing Tape Applications.....	305

INDEX:

<u>PRODUCT</u>	<u>PAGE</u>
FG3000S45.....	304-307, 310
FG3000S90....	304, 308-309
HSS2000.....	309

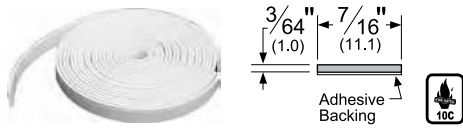


Fire Glazing Tape

- Verify all applications with your door and/or frame manufacturer
- **FG3000S45** and **FG3000S90** are specially formulated high-performance fire glazing tapes
- For exterior fire-rated applications, seal against moisture using standard industry methods

FG3000S45

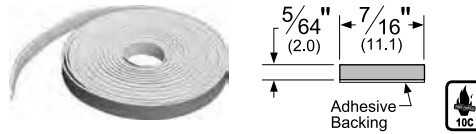
AVAILABLE LENGTHS: 7', 8', 14', 16'



Color: White

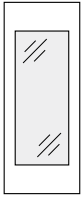
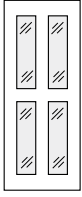
FG3000S90

AVAILABLE LENGTHS: 8', 16'



Color: White

Fire Glazing Tape in Larger Lite Applications

<p>Single Vision Lites (Wood/Hollow Metal Door)</p> 	<p>Maximum Height: 84" Maximum Width: 34" Maximum Total Square Inches (Visible Glass Area): 2,856</p>	<ul style="list-style-type: none"> • In 20-, 45-, 60- and 90-minute rated wood and hollow metal doors with metal vision frames, the use of FG3000 fire glazing tape allows for much larger vision lites • In 20- and 45-minute rated hollow metal screens, the use of FG3000 fire glazing tape allows for much larger sidelites, borrowed lites and glass transoms • New allowable visible glass areas for vision lites in 20- and 45-minute rated wood and hollow metal doors with FG3000S45 is 2,856 square inches with a maximum height of 84" and a maximum width of 34"
<p>Multiple Vision Lites (Hollow Metal Door)</p> 	<p>Maximum Height (Each Lite): 12" Maximum Width (Each Lite): 46" Maximum Combined Square Inches (All Visible Glass Areas): 2,208</p>	<ul style="list-style-type: none"> • For 90-minute hollow metal doors with FG3000 fire glazing tape, 12" x 46" vision lites are allowed, but the total number of lites must not exceed four (4) per door. The combined total visible glass area allowed is 2208 square inches

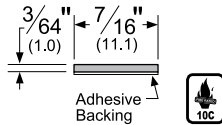
FG3000S45 Fire Glazing Tape in 20- and 45-Minute Hollow Metal Frame (Screen)

Sidelite/Borrowed Lite/Transom Lite Applications

- Verify all applications with your door and/or frame manufacturer
- For exterior fire-rated applications, a clear silicone caulk is recommended for water proofing

FG3000S45

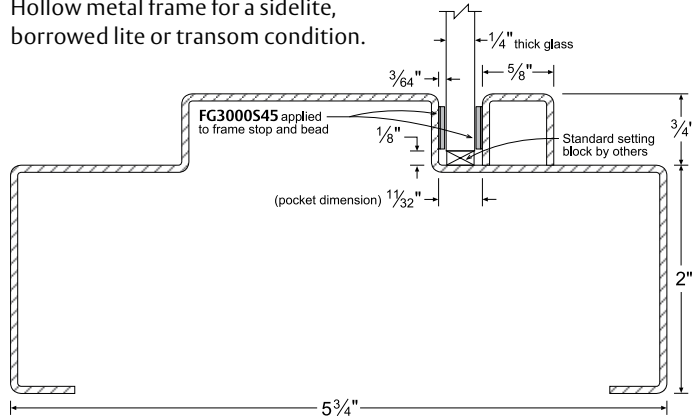
AVAILABLE LENGTHS: 7', 8', 14', 16'



Color: White

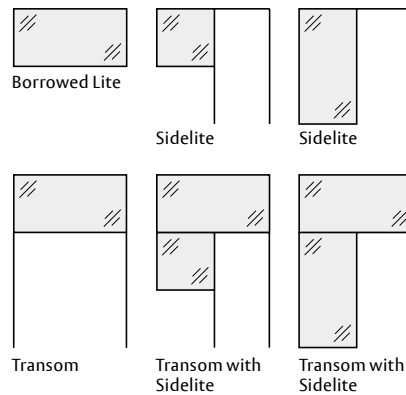
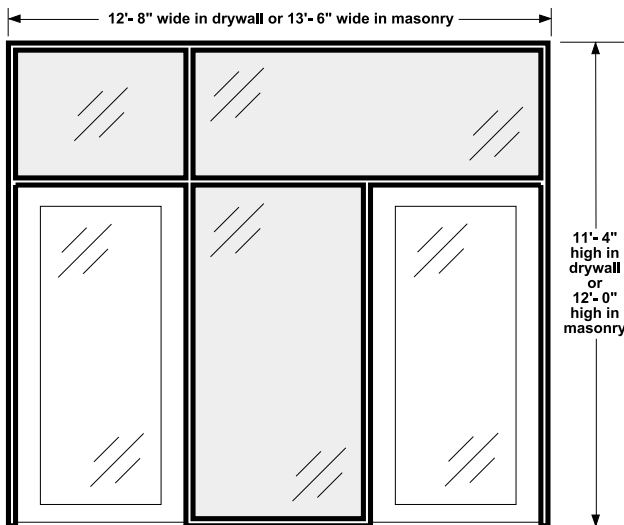
Sectional View of Application

Hollow metal frame for a sidelite, borrowed lite or transom condition.



Technical Data for 20- And 45-Minute Hollow Metal Screens Equipped with FG3000S45 (Sidelite/Borrowed Lite/Transom Lite Applications)

Lite Configurations



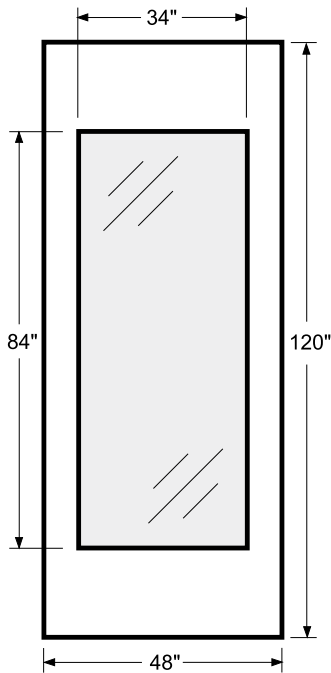
The maximum visible glass area allowed for side lites, borrowed lites, and glass transoms is 4,704 square inches with a maximum length of 106" in any one direction.

Lite Specifications	Hollow Metal Screen Specifications	Listing/Labeling Specifications
<p>Maximum Lite Size: 106" In Any One Direction</p> <p>Maximum Lite Combined Square Inches: Not To Exceed 4,704</p>	<p>Maximum Dimensions (Drywall): 12'8" X 11'4"</p> <p>Maximum Dimensions (Masonry): 13'6" X 12'0"</p> <p>Metal Requirements: Frames are restricted to a minimum of 16-gauge with 5/8" high stops and 18-gauge glazing bead with #8 fasteners at 9" maximum centers</p>	<ul style="list-style-type: none"> • Door and frame must be manufactured by companies that are classified by Underwriters Laboratories Inc.® for the manufacturing and labeling of hollow metal fire doors. Warnock Hersey (I.T.S.) listings are also available through participating hollow metal manufacturers • Listed Glazing Products include: <ul style="list-style-type: none"> – Wire Glazing: Pilkington, Asahi and Central Glass • All vision lite kits must be listed fire door glass frames, packaged with FG3000S45 or FG3000S90 • Individual door and frame manufacturers' modification procedures may vary slightly from the size listings shown

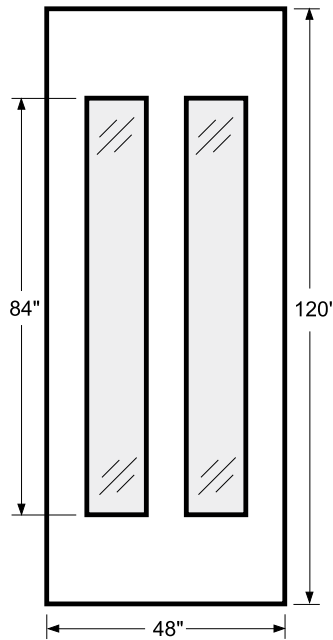
FG3000S45 Fire Glazing Tape in 20- and 45-Minute Hollow Metal Door

Metal Vision Frame Applications

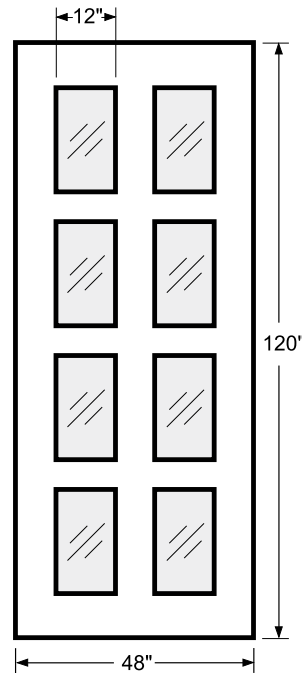
- Maximum hollow metal door size: 48" x 120" single, pairs approved
- Door and frame must be manufactured by companies that are classified by Underwriters Laboratories Inc.® for the manufacturing and labeling of hollow metal fire doors and frames. Warnock-Hersey (I.T.S.) listings are also available through participating hollow metal manufacturers
- For exterior fire rated applications, seal against moisture using standard industry methods
- Verify all applications with your door and/or frame manufacturer



For 20 minute and 45 minute the maximum visible glass size allowed is 34" wide x 84" high or 2,856 square inches per vision lite.



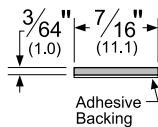
Multiple vision lites are allowed in both the 20 minute and 45 minute, but the combined total visible glass area allowed is 2,856 square inches per door.



FG3000S45

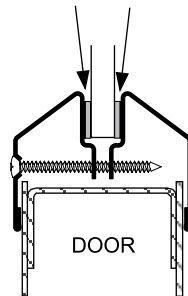


Color: White



Sectional View of Applications

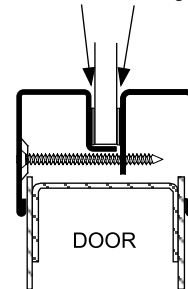
FG3000S45 applied between frame and glass



Beveled



FG3000S45 applied between frame and glass



Square



ASSA ABLOY
Opening Solutions

Experience a safer
and more open world

800-824-3018 | www.assaabloydooraccessories.us

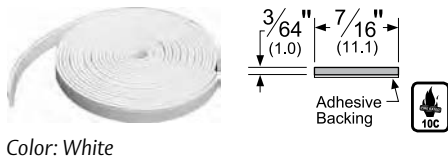
Check the web site for the up-to-date catalog

Copyright © 2015-2021, ASSA ABLOY Accessories and Door Controls Group, Inc., an ASSA ABLOY Group company. All rights reserved. Reproduction in whole or in part without the express written permission of ASSA ABLOY Accessories and Door Controls Group, Inc. is prohibited.

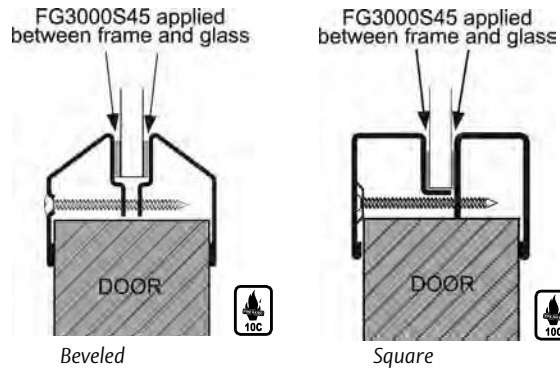
FG3000S45 Fire Glazing Tape in 20- and 45-Minute Wood Door

Metal Vision Frame Applications

FG3000S45

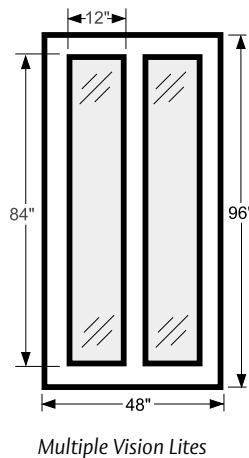
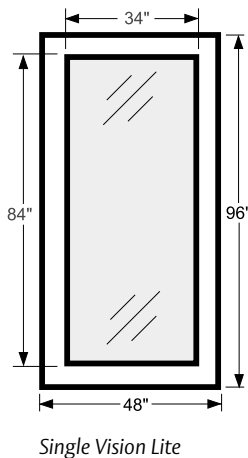


Sectional View of Applications



Technical Data for 20- And 45-Minute Wood Doors Equipped with FG3000S45 (Metal Vision Frame, Single and Multiple Lite Applications)

Lite Configurations



The maximum visible glass area allowed for single lites is 34" wide x 84" high; for single and multiple lites, the total visible glass area allowed is 2,856 square inches per door.

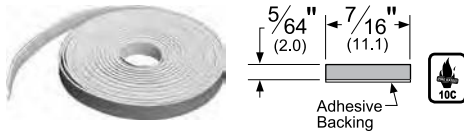
Lite Specifications	Door Specification	Listing/Labeling Specifications
<p>Maximum Dimensions (Single Lite): 34" wide x 84" high, 2,856 square inches per lite</p> <p>Maximum Combined Dimensions (Multiple Lites): Multiple vision lites are allowed in both the 20- and 45-minute doors, but the combined total visible glass area allowed is 2,856 square inches per door.</p>	<p>Maximum Dimensions: Or both 20- and 45-minute doors, the maximum wood door size is 48" x 96" single, pairs approved</p>	<ul style="list-style-type: none"> • Door and frame must be manufactured by companies that are classified by Underwriters Laboratories Inc.® for the manufacturing and labeling of hollow metal fire doors. Warnock Hersey (I.T.S.) listings are also available through participating hollow metal manufacturers • Listed Glazing Products include: <ul style="list-style-type: none"> – Wire Glazing: Pilkington, Asahi and Central Glass • Individual door and frame manufacturers' modification procedures may vary slightly from the size listings shown

FG3000S90 Fire Glazing Tape in 90-Minute Hollow Metal Door Metal Vision Frame Applications

- Verify all applications with your door and/or frame manufacturer
- For exterior fire-rated applications, seal against moisture using industry standard methods

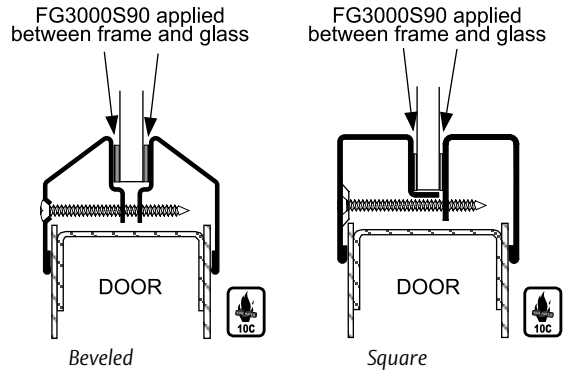
FG3000S90

AVAILABLE LENGTHS: 8', 16'



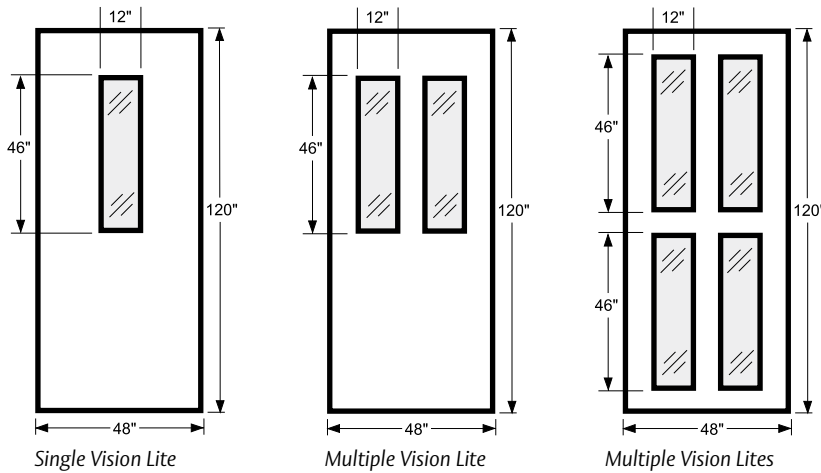
Color: White

Sectional View of Applications



Technical Data for 90-Minute Hollow Metal Doors Equipped with FG3000S90 (Metal Vision Frame, Single And Multiple Lite Applications)

Lite Configurations



The maximum visible glass area allowed for single lites is 12" wide x 46" high or 552 square inches per vision lite; for multiple lites, the largest approved door configuration is two (2) vision lites at 12" wide x 46" high above two (2) vision lites at 12" wide x 46" high (as shown at far right). No more than four (4) lites are allowed per door, and the combined total visible glass area allowed is 2,208 square inches per door.

Lite Specifications	Door Specification	Listing/Labeling Specifications
<p>Maximum Dimensions (Single Lite): 12" wide x 46" high, 552 square inches per lite</p> <p>Maximum Combined Dimensions (Multiple Lites): Multiple vision lites are allowed in 90-minute doors, but the combined total visible glass area allowed is 2,208 square inches per door. No more than four (4) lites are allowed per door. The largest approved configuration is above two (2) vision lites at 12" wide x 46" high above two vision lites at 12" wide x 46" high.</p>	<p>Maximum Dimensions: For 90-minute doors, the maximum hollow metal door size is 48" x 120" single, pairs approved.</p>	<ul style="list-style-type: none"> • Door and frame must be manufactured by companies that are classified by Underwriters Laboratories Inc.® for the manufacturing and labeling of hollow metal fire doors. Warnock Hersey (I.T.S.) listings are also available through participating hollow metal manufacturers • Listed Glazing Products include: <ul style="list-style-type: none"> – Wire Glazing: Pilkington, Asahi and Central Glass • Individual door and frame manufacturers' modification procedures may vary slightly from the size listings shown.

ASSA ABLOY
Opening Solutions

Experience a safer
and more open world

800-824-3018 | www.assaabloydooraccessories.us
Check the web site for the up-to-date catalog

Copyright © 2015-2021, ASSA ABLOY Accessories and Door Controls Group, Inc., an ASSA ABLOY Group company. All rights reserved. Reproduction in whole or in part without the express written permission of ASSA ABLOY Accessories and Door Controls Group, Inc. is prohibited.

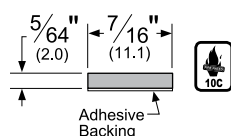
FG3000S90 Fire Glazing Tape in 60- and 90-Minute Wood Doors

Metal Vision Frame Applications

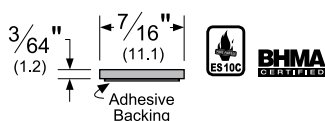
- Verify all applications with your door and/or frame manufacturer
- For exterior fire-rated applications, a clear silicone caulk is recommended for water proofing

FG3000S90

AVAILABLE LENGTHS: 8', 16'

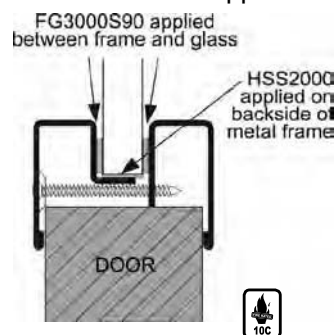


HSS2000



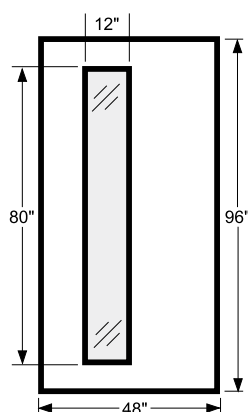
HSS2000 is required to be installed with FG3000S90 for positive pressure applications only. For more information about HSS2000, please see the Adhesive Gasketing section.

Sectional View of Applications

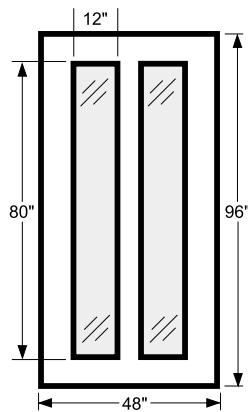


Technical Data for 60- and 90-Minute Wood Doors Equipped with FG3000S90 & HSS2000 (Metal Vision Frame, Single and Multiple Lite Applications)

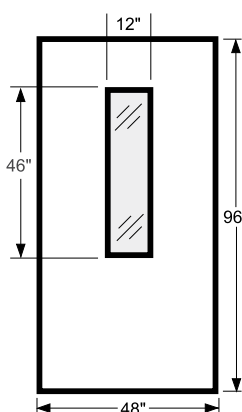
Lite Configurations



Single Vision Lite, 60-Minute Door



Multiple Vision Lites, 60-Minute Door



Single Vision Lite, 90-Minute Door

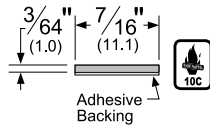
The maximum visible glass area allowed for 60-minute single lites is 12" wide x 80" high or 960 square inches per vision lite; 90-minute doors are allowed a maximum visible glass area of 12" wide x 46" high or 552 square inches per vision lite. Multiple lites (allowed on 60-minute doors only) have a maximum combined visible glass area of 1,920 square inches per door.

Lite Specifications	Door Specification	Listing/Labeling Specifications
<p>Maximum Dimensions (Single Lite, 60-Minute): 12" wide x 80" high; 960 square inches per lite</p> <p>Maximum Dimensions (Single Lite, 90-Minute): 12" wide x 46" high; 552 square inches per lite</p> <p>Maximum Combined Dimensions (Multiple Lites, 60-Minute): Multiple vision lites are allowed in 60-minute doors only; the combined total visible glass area allowed is 1,920 square inches per door</p>	<p>Maximum Dimensions: For both 60- and 90-minute doors, the maximum wood door size is 48" x 96" single, pairs approved</p>	<ul style="list-style-type: none"> • Door must be manufactured by companies that are classified by Underwriters Laboratories Inc.® for the manufacturing and labeling of hollow metal fire doors. Warnock Hersey (I.T.S.) listings are also available through participating hollow metal manufacturers. • Listed Glazing Products include: <ul style="list-style-type: none"> – Wire Glazing: Pilkington, Asahi and Central Glass • Individual door and frame manufacturers' modification procedures may vary slightly from the size listings shown • HSS2000 is required on Positive Pressure applications only

FG3000S45 Fire Glazing Tape in 20- and 45-Minute Wood Doors and Frames

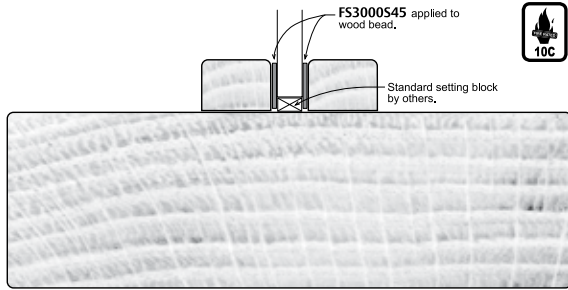
FG3000S45

AVAILABLE LENGTHS:
7', 8', 14', 16'



- Verify all applications with your door and/or frame manufacturer
- For exterior fire-rated applications, seal against moisture using standard industry methods
- Wood vision frames rated 20-minute and 45-minute
- Wood sidelite frames rated 20-minute and 45-minute
- Wood borrowed lite frames rated 20-minute and 45-minute

Technical Data for 20-Minute Wood Sidelite Frame/Wood Lite Bead/Clear Tempered Glass



Maximum Visible Glazing Dimensions (Sidelite):

32⁷/₈" x 87¹³/₁₆"

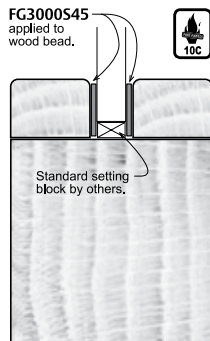
Glazing Materials (Sidelite):

- PyroEdge 20™ by Interedge Technologies
- Fireglass 20™ by Technical Glass Products

Listing/Labeling Specifications:

- Positive Pressure Tested and Listed
- Verify availability with door and frame manufacturer

Technical Data For 20-Minute Full Lite Wood Door/Wood Lite Frame/Clear Tempered Glass



Maximum Visible Glazing Dimensions (Lite):

• (4'0" x 8'0" Door): 32⁷/₈" x 75¹³/₁₆"

• (4'0" x 8'0" Door): 32⁷/₈" x 75¹³/₁₆"

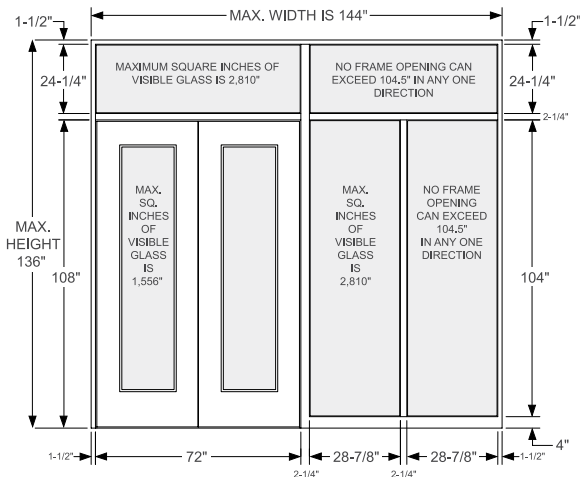
Glazing Materials (Sidelite):

- PyroEdge 20™ by Interedge Technologies
- Fireglass 20™ by Technical Glass Products

Listing/Labeling Specifications:

- Positive Pressure Tested and Listed
- Verify availability with door and frame manufacturer

Technical Data for: 20- and 45-Minute Full Lite Wood Door/Wood Lite Frame With Wire Glass or FireLite™, 20- and 45-Minute Wood Sidelite Frame/Borrowed Lite Frame/Transom Lite Frame with Wire Glass or FireLite™



Lite Specifications (see diagram at left):

- Positive Pressure Tested and Listed
- Large visible glazing areas
- Wire Glass and FireLite™
- Verify availability with door and frame manufacturer.

Contact These Manufacturers:

Navy Island, Inc.

275 Marie Ave East, West St. Paul, MN 55118

Phone: 651.451.4454, Fax: 651.451.4484

Eggers Industries - Frame Plant

1819 East River Street, Two Rivers, WI 54241

Phone: 920.793.1351, Fax: 920.793.2958

ASSA ABLOY
Opening Solutions

Experience a safer
and more open world

800-824-3018 | www.assaabloydooraccessories.us

Check the web site for the up-to-date catalog

Copyright © 2015-2021, ASSA ABLOY Accessories and Door Controls Group, Inc., an ASSA ABLOY Group company. All rights reserved. Reproduction in whole or in part without the express written permission of ASSA ABLOY Accessories and Door Controls Group, Inc. is prohibited.

Pemko Door & Frame Accessories



CONTENTS:

Glazing Bead/Spreader Bar	312
Reinforcements - Fillers	312
Reinforcements - Misc.....	313

INDEX:

PRODUCT	PAGE
CB1-50PK.....	312
CR2-5PK	313
GS2-20PK.....	312
GS3-20PK.....	312
GS4-20PK.....	312
HF3-25PK.....	312

800-824-3018 | www.assaabloydooraccessories.us
Check the web site for the up-to-date catalog

Copyright © 2015-2021, ASSA ABLOY Accessories and Door Controls Group, Inc., an ASSA ABLOY Group company. All rights reserved.
Reproduction in whole or in part without the express written permission of ASSA ABLOY Accessories and Door Controls Group, Inc. is prohibited.

ASSA ABLOY
Opening Solutions

Experience a safer
and more open world

Glazing Bead/Spreader Bar

Glazing Bead

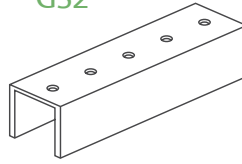
- Sold in 20 packs only
- No fasteners supplied

- GS2-20PK**
- $\frac{5}{8}$ " H x $\frac{3}{4}$ " W x 10'0" L (Outer Dimension)
 - Punched and countersunk for #8 screw
 - Hole spacings are 6" from ends and 12" on center
 - .049 18 gauge A40 galvanized steel

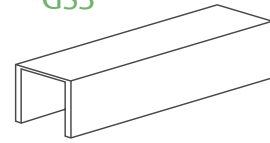
- GS3-20PK**
- $\frac{5}{8}$ " H x $\frac{3}{4}$ " W x 10'0" L (Outer Dimension)
 - Blank (no holes)
 - .049 18 gauge A40 galvanized steel

- GS4-20PK**
- $\frac{5}{8}$ " H x $\frac{3}{4}$ " W x 3'0" L (Outer Dimension)
 - Blank (no holes)
 - .049 18 gauge A40 galvanized steel

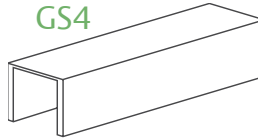
GS2



GS3



GS4



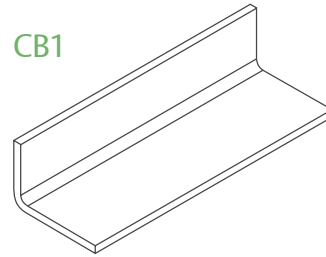
Reinforcements - Fillers

Corner Fillers

- Holes in one side for anchoring $1\frac{5}{8}$ " x $1\frac{5}{8}$ "
- .065 - 16 gauge galvanized steel
- Sold in 50 packs only

- CB1-50PK**
- 2" face frame corner filler.
 - $\frac{5}{8}$ " x $\frac{7}{16}$ " lip x $1\frac{13}{16}$ " wide

CB1

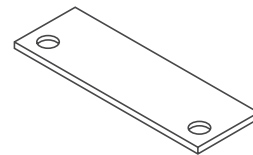


Frame Hinge Filler Plate

- For $1\frac{3}{4}$ " rabbeted frames
- Two (2) #12-24 x $\frac{1}{2}$ " F.H.M.S.
- Sold in 25 packs only

- HF3-25PK**
- $4\frac{1}{2}$ " hinge filler for frames.
 - $1\frac{5}{8}$ " x $4\frac{1}{2}$ " x .134 HRPO

HF3



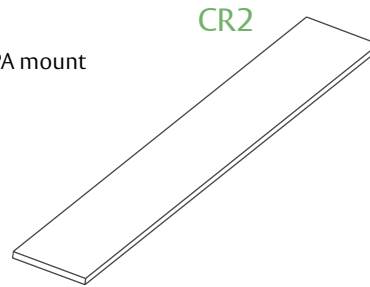
Reinforcements - Misc.

Weld-In Reinforcements

- Weld-in closer reinforcement
- CR2 sold in 5 packs only
- CR3 sold in 20 packs only

CR2-5PK

- 12" flat closer reinforcement for standard and PA mount closers
- 1³/₄" x 12" x .134 - 10 gauge HRPO



The ASSA ABLOY Group is the global leader in access solutions.
Every day, we help billions of people experience a more open world.

ASSA ABLOY
Opening Solutions

ASSA ABLOY Opening Solutions leads the development within door openings and products for access solutions in homes, businesses and institutions. Our offering includes doors, frames, door and window hardware, mechanical and smart locks, access control and service.



Proudly Supplied By



615-885-0355 | www.warrenbros.com