

CavitySlider® Ultimate Pocket Frame

The **CS Cavity Slider® Ultimate** is the gold standard of pocket frames. It is the largest and most robust manufactured pocket frame on the market.

Unlike other pocket systems, the **CS Cavity Slider® Ultimate's** durability is due to its construction from aluminum extrusions

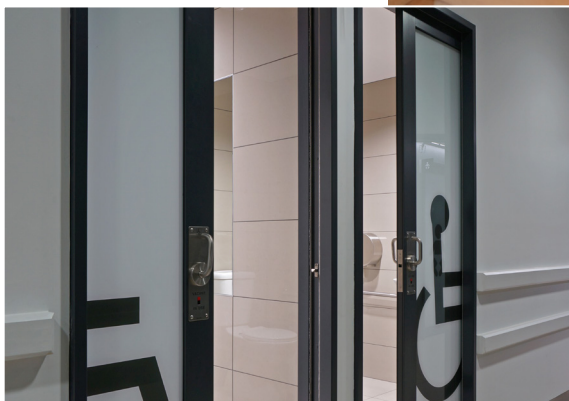
This product is supplied as a kitset and is easy to assemble and install. The pocket frame can accommodate 1 3/8" to 2 1/4" thick doors up to 5'0" x 10'0" (1524 x 3048mm) in size and can be cut down on site.

The **CS Cavity Slider® Ultimate** is made to suit a 5-1/2" stud size but can be furred out to suit wider wall conditions. The **Ultimate** is suitable for residential and commercial projects as it meets Type 1 construction code without any combustible materials. In addition to its space saving attributes in restrooms, hallways and laundries, it can be used with confidence for architectural feature openings around your project.



AVAILABLE WITH:
 SofStop® Soft Close / Soft Open

CS Ultimate Cavity Sliders™ with wooden doors.



CS Cavity Sliders™ with glazed aluminum doors and CL100 ADA LaviLock handles.



CS Cavity Slider® Ultimate kitset box.

CavitySlider® Features



Corner joining brackets ensure precise right angled assembly



Smooth running carriages with encased ball bearings. Up to 500lb (240kg) capacity

SofStop®
Soft Close/Soft Open also available



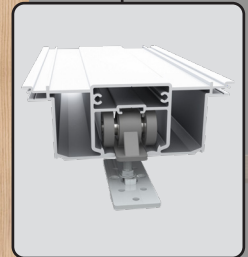
T-joining brackets for easy assembly of slats to split jambs & back stud

Horizontal slats for added strength*

Split Jambs and slats use hollow core technology for superior rigidity

Door Thickness up to 3-1/2" (89mm) doors

Strong aluminum frame complies with Type 1 Construction



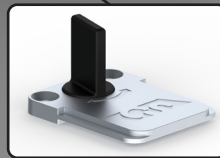
Extruded aluminum track incorporated into head unit



Trim Clips for quick & easy trim fitting

Compatible with 5-1/2" wood or steel stud

Bottom plate assembly



Adjustable T-Guide

Patent Pending



Cycle tested 1 million openings



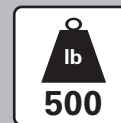
ADA compliant



Available with SofStop®



Single or Bi-Parting units



Maximum door weight

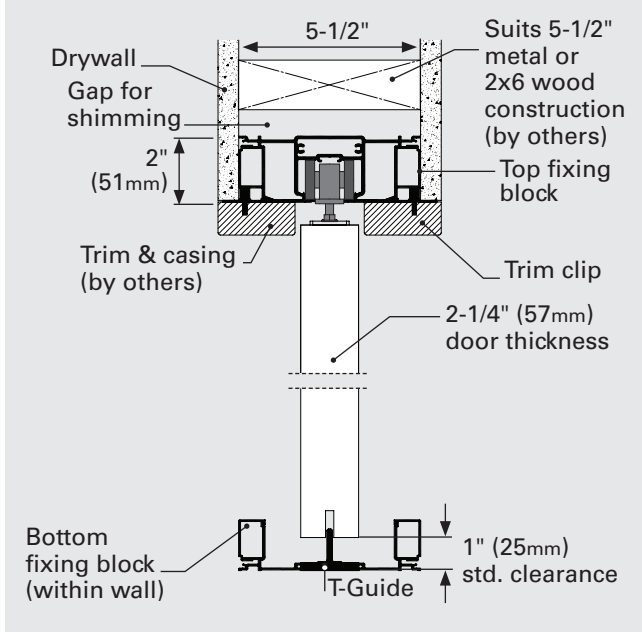


Easy assembly

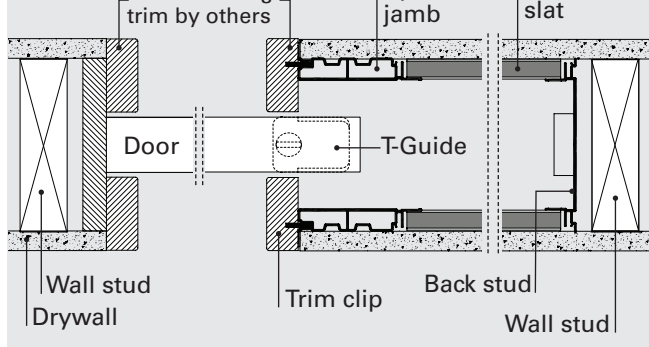
*Additional two (2) slats provided for 9'0" and 10'0" frames

CavitySlider® Technical Info

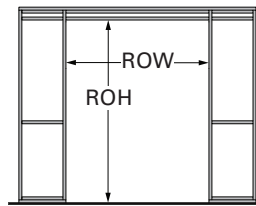
Elevation



Plan



Rough Opening



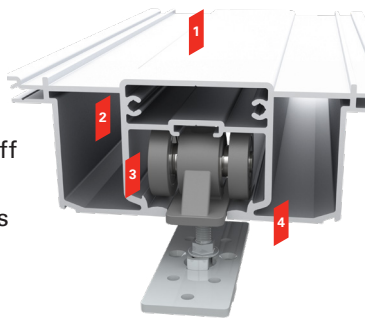
DH = Door Height
DW = Door Width

Dimension	inches	mm
RO height	DH + 4 1/4"	DH + 108
RO width - Single	(DW x 2) + 2"	(DW x 2) + 51
RO width - Bi-Parting	(DW x 4) + 2"	(DW x 4) + 51

Standard CS Track Features

Our engineers focus on constantly developing new products and refining existing ones. That's why our products come with a number of unique features:

- 1 Heavy duty one-piece extruded aluminum track.
- 2 Minimal clearance means the carriages/wheels cannot jump off the track or jam.
- 3 Large diameter wheels with precision ground bearings make for smooth running.
- 4 Radiused track reduces friction and allows dust to be pushed into the gutters so the door always slides smoothly.
- 5 M8 body made from cast stainless steel for strength and reliability. 4-wheel carriages are standard on all doors over 200lb.
- 6 **CarriSnap™** quick release system allows the door to be removed easily from the track; no need to unscrew anything and lose door height adjustment.



How to Order

1. Choose Size

Frames can be cut down on site. Maximum size for each model shown below:

Model	Max Door Size (in)	Max Door Size (mm)
CSU6K2680	2'6" x 8'0"	762 x 2438mm
CSU6K3080	3'0" x 8'0"	914 x 2438mm
CSU6K4080	4'0" x 8'0"	1219 x 2438mm
CSU6K3090	3'0" x 9'0"	914 x 2743mm
CSU6K4090	4'0" x 9'0"	1219 x 2743mm
CSU6K30100	3'0" x 10'0"	914 x 3048mm
CSU6K40100	4'0" x 10'0"	1219 x 3048mm
CSU6K50100	5'0" x 10'0"	1524 x 3048mm

2. Choose a carriage pack (one per door)

(includes carriages, mounting plates, T-Guide, fixing screws and adjusting wrench)
Packs are available with 0, 1 or 2 track stops.

Standard	M6 (200lb/90kg)	
	M8 (500lb/240kg)	
SofStop® Single Soft Close	Minimum Door Width	
	No stop	1 Stop
176lb	0 - 176 lb (80kg)	25" (635mm) 28" (711mm)
264lb	176 - 264 lb (120kg)	28" (711mm) 31" (787mm)
SofStop® Twin	Minimum Door Width	
	No stop	1 Stop
176lb	0 - 176 lb (80kg)	33" (840mm) 36" (914mm)