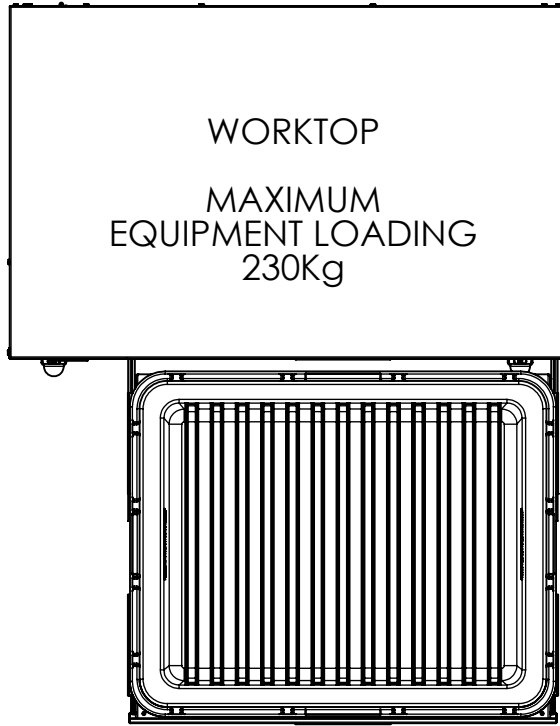
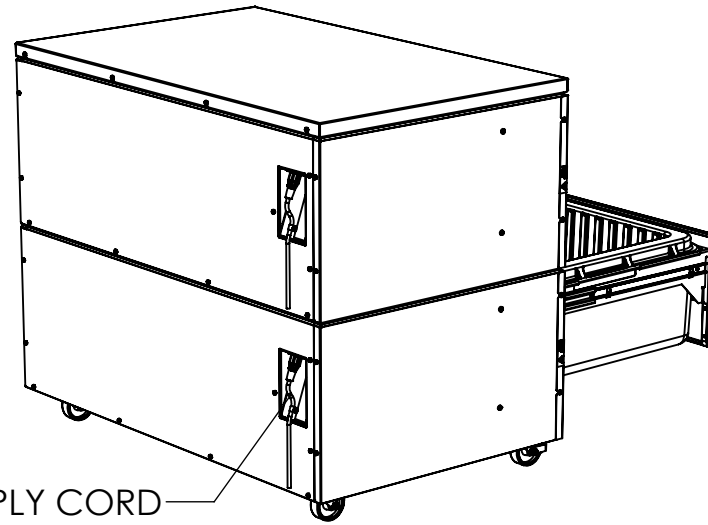
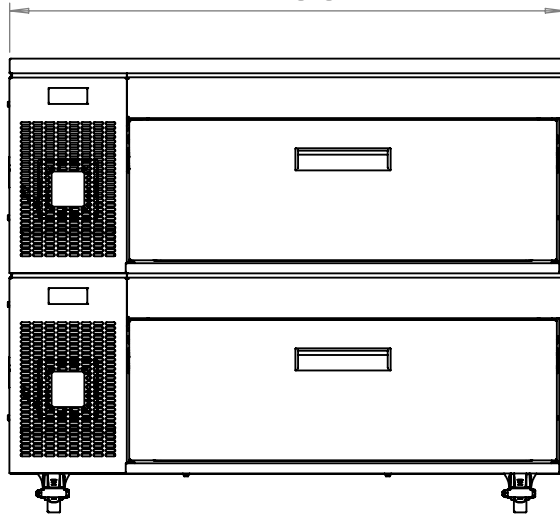


CONFIDENTIALITY: The information in this drawing is the property of Applied Design and Engineering Limited and is to be held in confidence by the recipient. No copy is to be made without the written permission of Applied Design and Engineering Limited. Disclosure of any such information is to be made only to those employees of the recipient who need to use the information and it is the responsibility of the recipient to bind any such information in strict confidence. Furthermore, any patent applications, trademarks, trade names or other intellectual property rights owned by Applied Design and Engineering Limited and as such are subject to the obligation of confidence on the recipient set out above. No alteration to this document may be made without the permission of Applied Design and Engineering Limited.



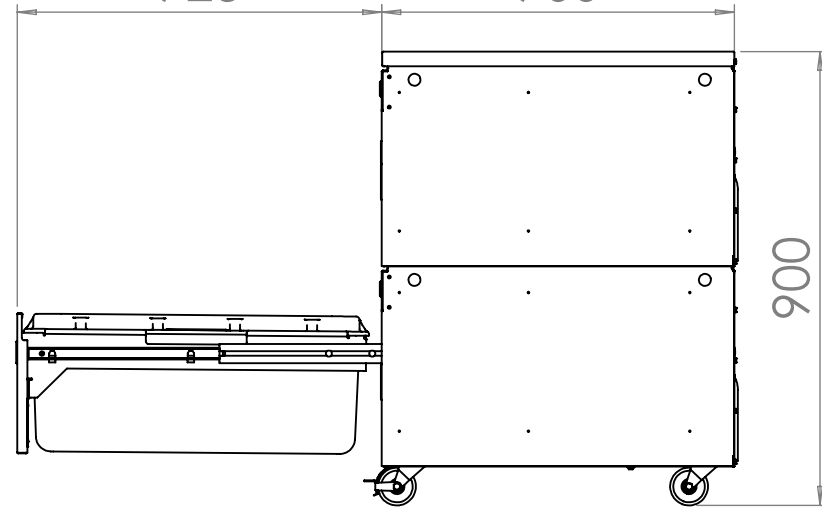
1100



SUPPLY CORD

723

700



900

PRODUCT ~ Key Dimensions

Description:

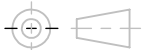
Side engine, 2 stack, castor base, worktop

Order Code:

VCS2/CW

**ADANDE REFRIGERATION**

45 Pinbush Road, LOWESTOFT, SUFFOLK, UK NR33 7NL  
Tel. 44 (0)1502 537135 e-mail: info@adande.com

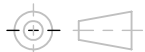


Third angle projection  
DO NOT SCALE  
If in doubt ask  
ALL DIMENSIONS ARE MM

CONFIDENTIALITY: The information in this drawing is the property of Adande Design and Engineering Limited and is to be held in confidence by the recipient. No copy is to be made without the written permission of Adande Design and Engineering Limited. Disclosure of any such information is to be made only to those employees of the recipient who need to use the information and it is the responsibility of the recipient to bind any such information in strict confidence. Furthermore, any patent applications, trademarks or other intellectual property rights owned or controlled by Adande Design and Engineering Limited and as such are subject to the obligation of confidence on the recipient set out above. No alteration to this document may be made without the permission of Adande Design and Engineering Limited.



PRODUCT ~ Key Dimensions



Third angle projection  
DO NOT SCALE  
If in doubt ask  
ALL DIMENSIONS ARE MM

Description:

Side engine, 2 stack, castor base, worktop

-

Order Code:

VCS2/CW

**ADANDE REFRIGERATION**

45 Pinbush Road, LOWESTOFT, SUFFOLK, UK NR33 7NL  
Tel. 44 (0)1502 537135 e-mail: info@adande.com