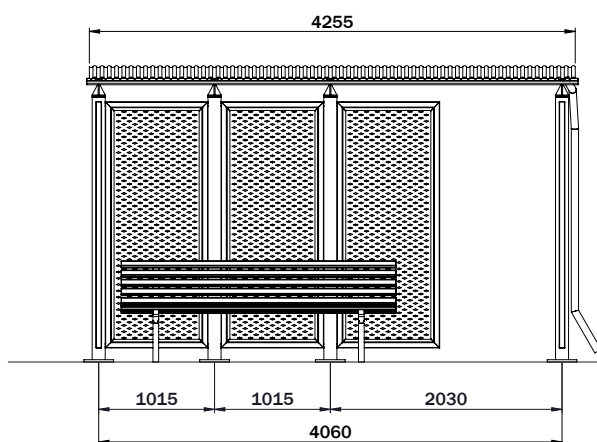
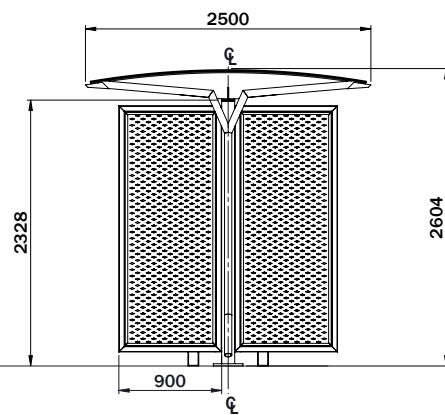


STANDARD PRODUCT

# BANKSIA DOUBLE-SIDED SHELTER



FRONT VIEW



SIDE VIEW

### Dimensions (mm):

Overall: 4255W x 2500D x 2605H  
Internal: 4060W x 1400D x 2330H  
Seat length: 2400

### Finishes:

Powder Coated Aluminium frame  
Refer to Dulux Powder Coat colours

### Features:

Expanded mesh panels  
Colorbond roof  
Windbreaks  
Free-standing seat  
Drain to surface  
Concealed footings

### Optional extras:

Glass wall panels  
Aluminium roof  
LED lighting  
Walk through section/s  
Seat arm-rests  
Timber or Aluminium seat slats  
Solar powered lighting  
Bolt to surface

P: 1300 557 654  
W: [stoddartinfrastucture.com.au](http://stoddartinfrastucture.com.au)  
E: [info@stoddartinfrastucture.com.au](mailto:info@stoddartinfrastucture.com.au)

Copyright Stoddart Infrastructure. All rights reserved.



**STODDART**<sup>®</sup>

INFRASTRUCTURE