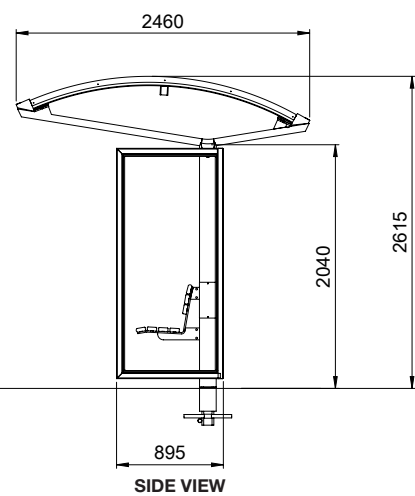
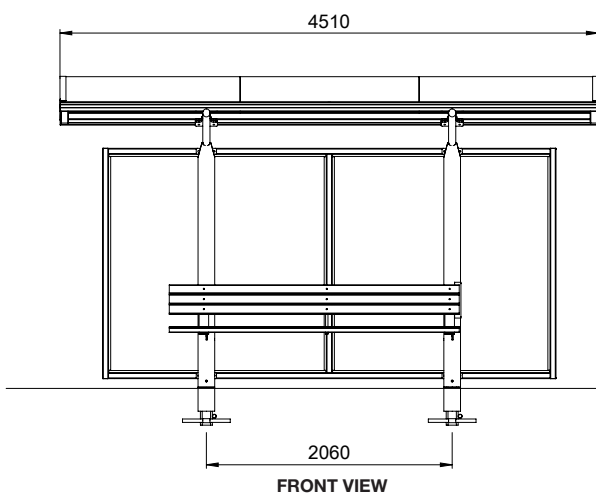


STANDARD PRODUCT
BOULEVARD SHELTER



Dimensions (mm):

Overall: 4510W x 2460D x 2615H
 Internal: 2060W x 895D x 2040H
 Seat length: 2400

Finishes:

Powder Coated Aluminium Frame
 Refer to Dulux Powder Coat colours

Features:

Toughened safety glass
 Colorbond roof
 Windbreaks
 Cantilever seat
 LED lighting
 Internal drainage
 Concealed footings

Optional extras:

Mesh wall panels
 Seat arm-rests
 Timber or Aluminium seat slats
 Solar powered lighting

P: 1300 557 654
 W: stoddartinfrastucture.com.au
 E: info@stoddartinfrastucture.com.au

Copyright Stoddart Infrastructure. All rights reserved.