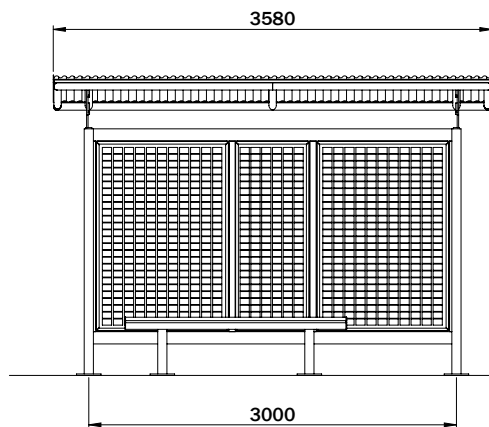
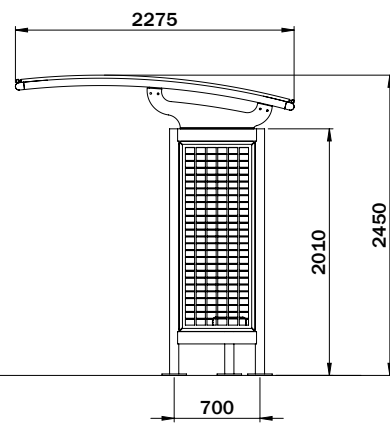


STANDARD PRODUCT

# ESPLANADE SINGLE-SIDED SHELTER



FRONT VIEW



SIDE VIEW

**Dimensions (mm):**

Overall: 3580W x 2275D x 2450H  
Internal: 3000W x 700D x 2010H  
Seat Length: 1800

**Finishes:**

Powder Coated Aluminium Frame  
Refer to Dulux Powder Coat colours

**Features:**

Expanded mesh panels  
Colorbond roof  
Free-standing seat  
Bolt to surface

**Optional extras:**

Glass wall panels  
Long windbreaks  
LED lighting (mains or solar)  
Concealed footings

P: 1300 557 654  
W: [stoddartinfrastucture.com.au](http://stoddartinfrastucture.com.au)  
E: [info@stoddartinfrastucture.com.au](mailto:info@stoddartinfrastucture.com.au)

Copyright Stoddart Infrastructure. All rights reserved.